

# CX3535 / CX4545 MFP

## Illustrated Parts Manual V6.1

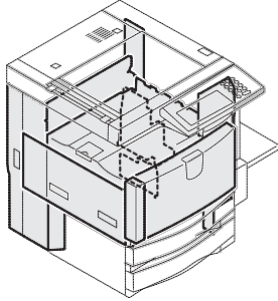
This Illustrated Parts Manual is to be used for part identification. Part numbers for the most often used parts are listed. To obtain parts for items that do not list an associated part number contact:

**Oki Data Technical Support at 866.654.1725**  
for specific part numbers and part ordering information

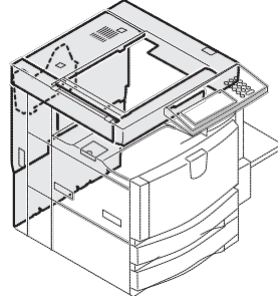
# CONTENTS

COVER-1-ASY.....	1	MAIN-CHARGER-ASY.....	40
COVER-2-ASY.....	2	TONER-1-ASY.....	41
CONTROL-PANEL-ASY.....	3	TONER-2-ASY.....	42
BASE-FRAME-ASY.....	4	FUSER-1-ASY.....	43
FRONT-FRAME-ASY.....	5	FUSER-2-ASY.....	44
REAR-FRAME-ASY-1.....	6	FUSER-3-ASY.....	45
REAR-FRAME-ASY-2.....	7	FUSER SATY&GUIDE EXIT-ASY.....	46
POWER-SUPPLY-ASY.....	8	INNER-COVER-ASY.....	47
CASE-PCB-ASY.....	9	ADU-ASY-1.....	48
COV_STAY-PCB-ASY.....	10	ADU-ASY-2.....	49
LASER-OPTICAL-UNIT.....	11	DRAWER-ASY.....	50
OPTICAL-FRAME-ASY.....	12	JIGS & GREASE.....	101
TRU-UNIT-1.....	13	DOWNLOAD JIGS.....	102
TRU-UNIT-2.....	14	SUPPLIES.....	103
DEV_TBU-DRIVE-ASY.....	15	REPLACE UNIT.....	104
DRUM-DRIVE-ASY.....	16	PM-KIT.....	105
REGIST&TR1-DRIVE-ASY.....	17		
FUSER&EXIT-DRIVE-ASY.....	18		
OPTICAL-DRIVE-ASY.....	19		
FEEDER-1-ASY.....	20		
FEEDER-2-ASY.....	21		
BYPASS-ASY.....	22		
BYPASS-FEEDER-1-ASY.....	23		
BYPASS-FEEDER-2-ASY.....	24		
ALIGNING-ASY.....	25		
COV&GUIDE-FEED-ASY.....	26		
LIFT-TRU&SNR-POS-ASY.....	27		
PLATEN-ASY.....	28		
CRG-1-ASY.....	29		
CRG-2-ASY.....	30		
TRANSPORT-BELT-UNIT-1.....	31		
TRANSPORT-BELT-UNIT-2.....	32		
TRANSPORT-BELT-UNIT-3.....	33		
TRANSPORT-BELT-UNIT-4.....	34		
BELT-CLEAN-UNIT-ASY.....	35		
SHUTTER-ASY.....	36		
EPU-SUB-ASY.....	37		
DEVELOPER-ASY.....	38		
CLN-DRUM-ASY.....	39		

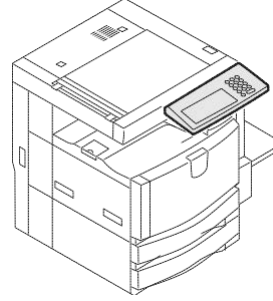
1. COVER-1-ASY



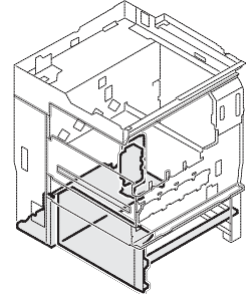
2. COVER-2-ASY



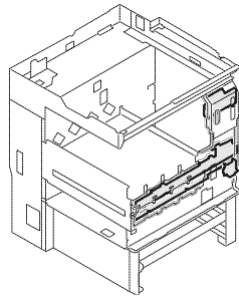
3. CONTROL-PANEL-ASY



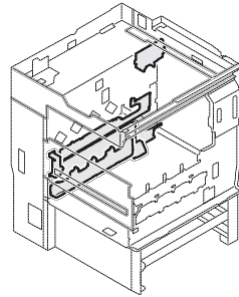
4. BASE-FRAME-ASY



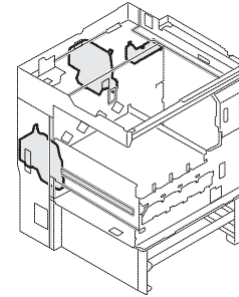
5. FRONT-FRAME-ASY



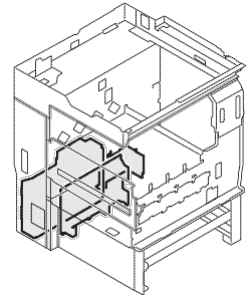
6. REAR-FRAME-ASY-1



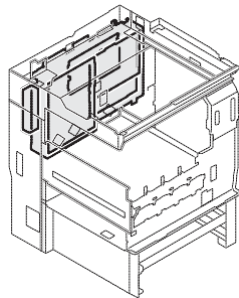
7. REAR-FRAME-ASY-2



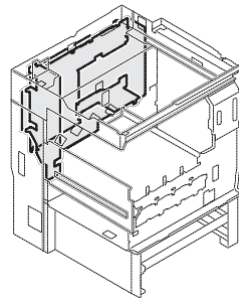
8. POWER-SUPPLY-ASY



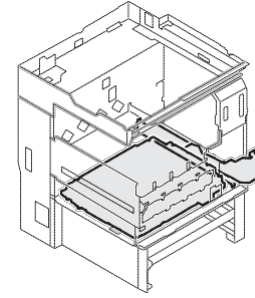
9. CASE-PCB-ASY



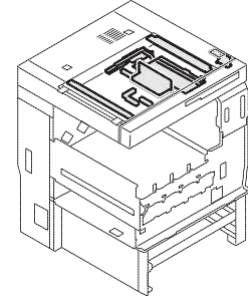
10. COV\_STAY-PCB-ASY



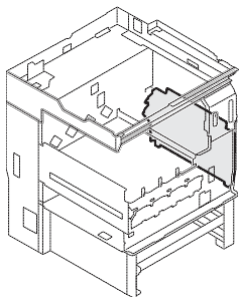
11. LASER-OPTICAL-UNIT



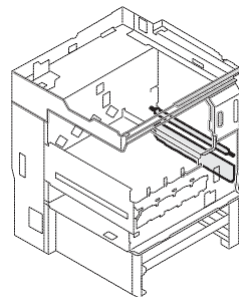
12. OPTICAL-FRAME-ASY



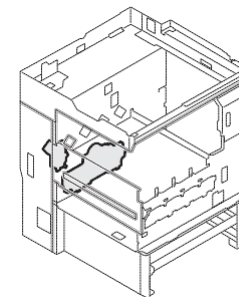
13. TRU-UNIT-1



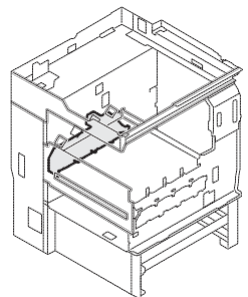
14. TRU-UNIT-2



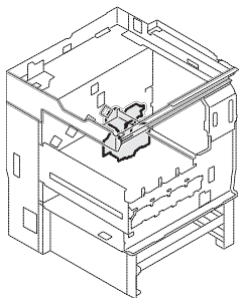
15. DEV\_TBU-DRIVE-ASY



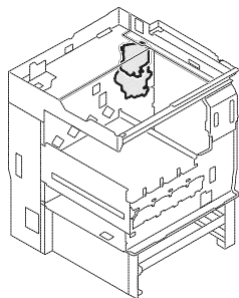
16. DRUM-DRIVE-ASY



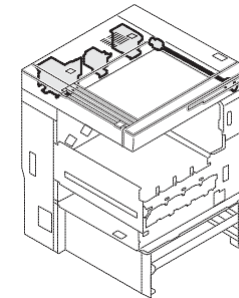
17. REGIST&TR1-DRIVE-ASY



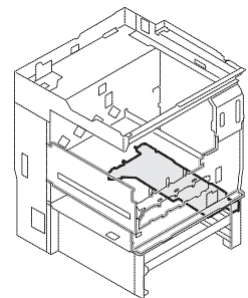
18. FUSER&EXIT-DRIVE-ASY



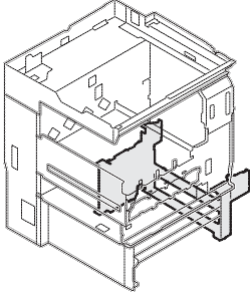
19. OPTICAL-DRIVE-ASY



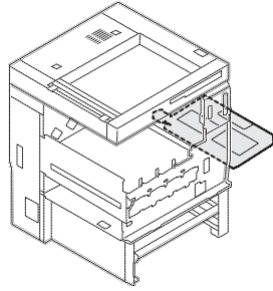
20. FEEDER-1-ASY



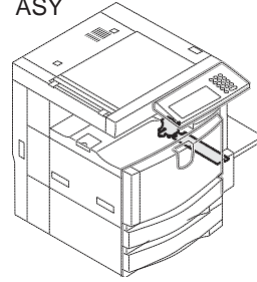
21. FEEDER-2-ASY



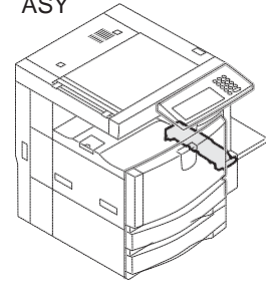
22. BYPASS-ASY



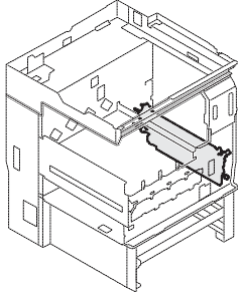
23. BYPASS-FEEDER-1-ASY



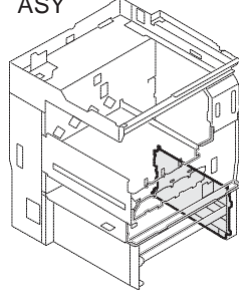
24. BYPASS-FEEDER-2-ASY



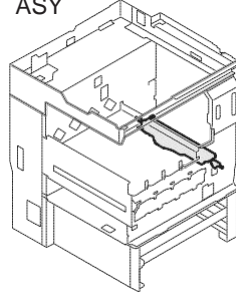
25. ALIGNING-ASY



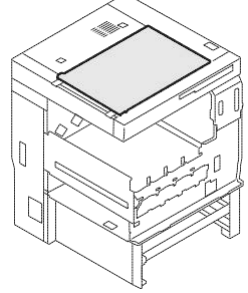
26. COV&GUIDE-FEED-ASY



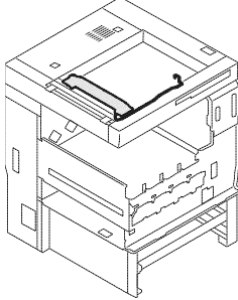
27. LIFT-TRU&SNR-POS-ASY



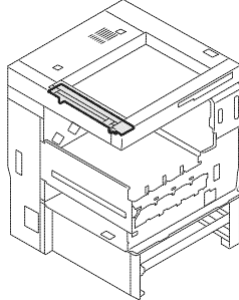
28. PLATEN-ASY



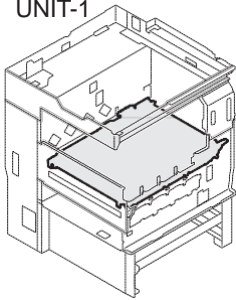
29. CRG-1-ASY



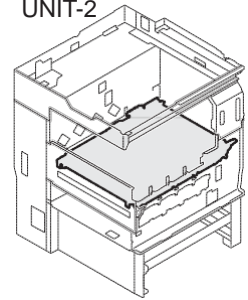
30. CRG-2-ASY



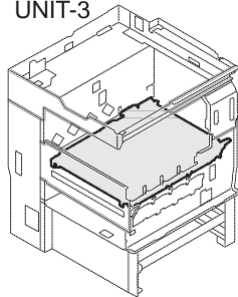
31. TRANSPORT-BELT-UNIT-1



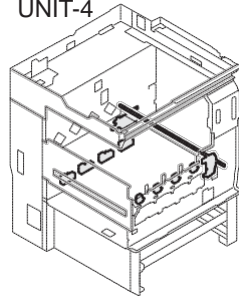
32. TRANSPORT-BELT-UNIT-2



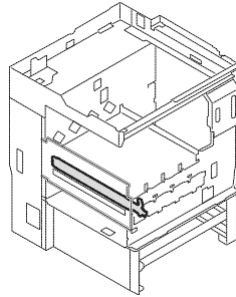
33. TRANSPORT-BELT-UNIT-3



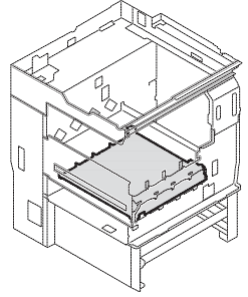
34. TRANSPORT-BELT-UNIT-4



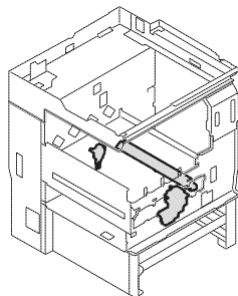
35. BELT-CLEAN-UNIT-ASY



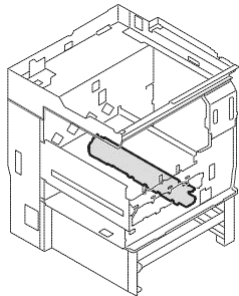
36. SHUTTER-ASY



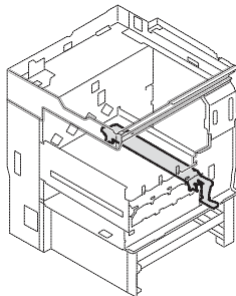
37. EPU-SUB-ASY



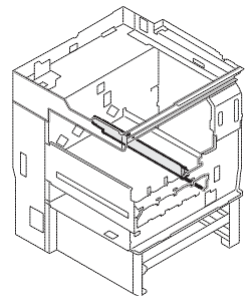
38. DEVELOPER-ASY

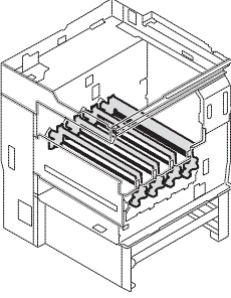
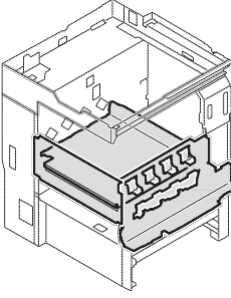
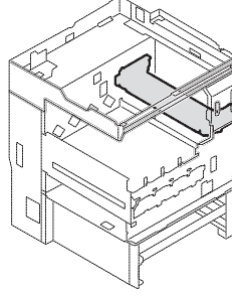
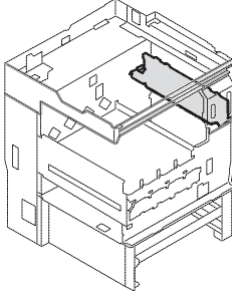
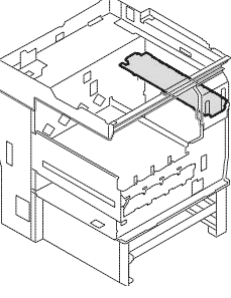
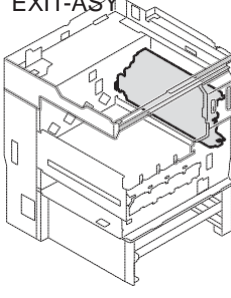
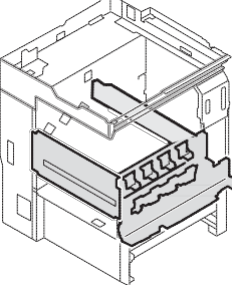
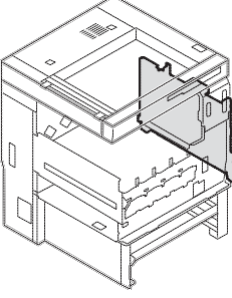
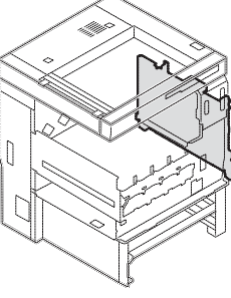
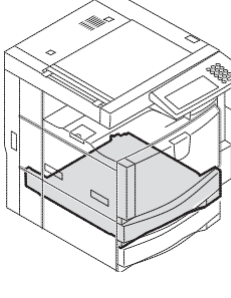


39. CLN-DRUM-ASY



40. MAIN-CHARGER-ASY



<p>41. TONER-1-ASY</p> 	<p>42. TONER-2-ASY</p> 	<p>43. FUSER-1-ASY</p> 	<p>44. FUSER-2-ASY</p> 
<p>45. FUSER-3-ASY</p> 	<p>46. FUSER SATY&amp;GUIDE EXIT-ASY</p> 	<p>47. INNER-COVER-ASY</p> 	<p>48. ADU-ASY-1</p> 
<p>49. ADU-ASY-2</p> 	<p>50. DRAWER-ASY</p> 		





## COVER-1-ASY

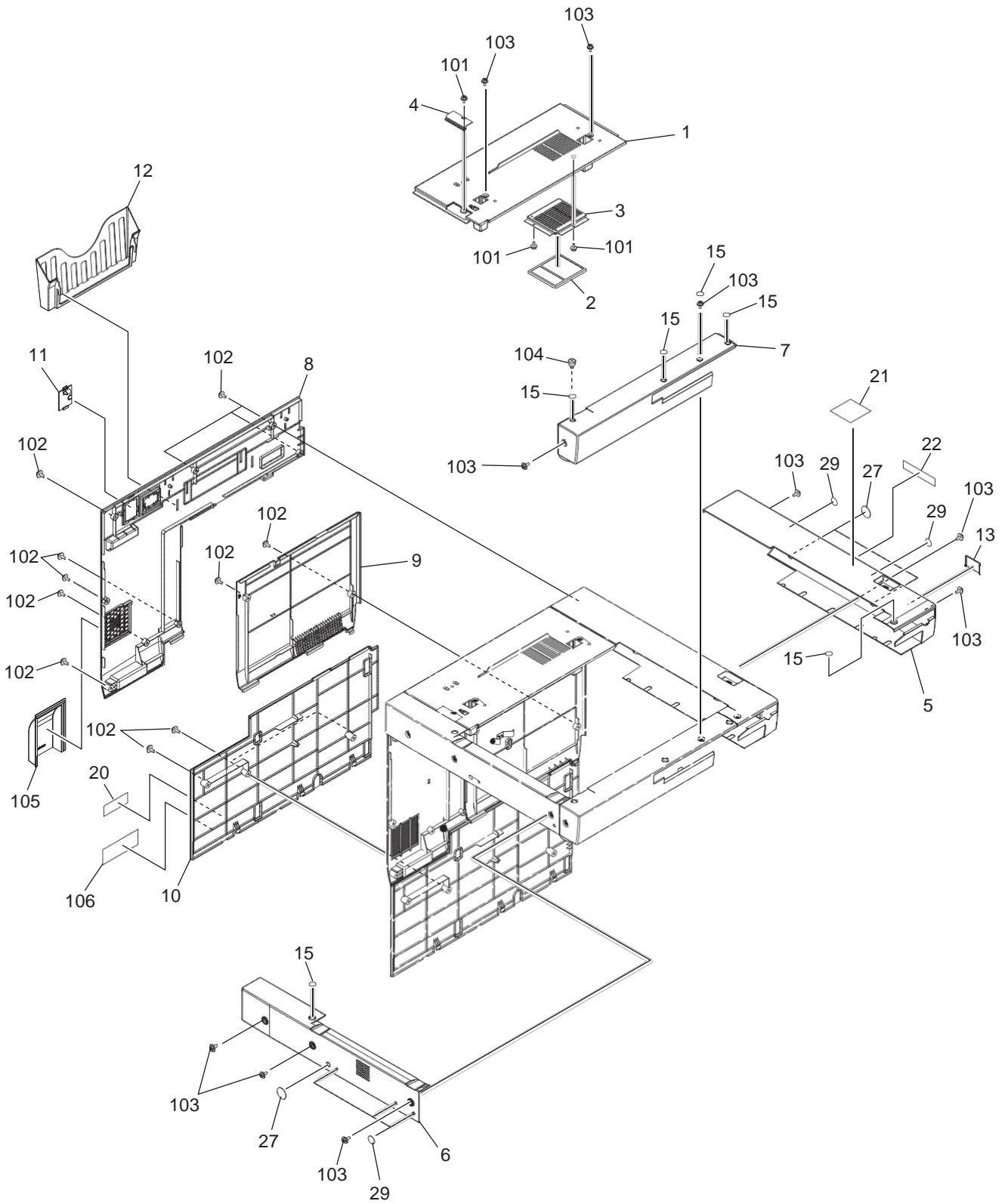
ITEM No.	PART No.	PART NAME	Q'TY / PAGE	Q'TY / PACK	REMARKS
1		COV-FRT-450-D	1	1/PP	
2		PUSHER-SW-380	1	1/P	
3		BRKT-COV-FRT	1	1/P	
4		COV-FRT-LFT-SIDE-H14XD	1	1/PP	
5		BRKT-LEVER-450	2	1/P	
6		COV-FRT-TOP-450	1	1/PP	
7		ASYS-COV-RGT-UPR-H14XD	1	1/PP	
8		COV-RGT-SYS-H14XD	1	1/P	
9		COV-RGT-LWR-H14XN	1	1/P	
10		COV-HINGE-R-H14XD	1	1/PP	
11		COV-BYPS-RER-H14XD	1	1/P	
12		COV-FRT-LW-H14XD	1	1/PP	
14		ASYS-COV-TRAY-BCK-H14XD	1	1/PP	
16		COV-LFT-RER-H14XD	1	1/PP	
17		COV-HINGE-F-H14XD	1	1/P	
18		PIN-HINGE	2	1/P	
19		COV-EMBLEM-450	1	1/P	
20		SHEET-COV-TRAY-BCK	1	1/P	
21		ASYS-COV-FRM-FRT-H14X	1	1/PP	
22		PLATE-MG	1	1/P	
23		COV-LFT-H14XD	1	1/PP	
24		ASYS-COV-TRAY-H14X	1	1/PP	
25		COV-STOP-PAPER-H14XD	1	1/P	
26		BRKT-ARM	2	1/P	
27		COV-HANDLE-BACK-380D	2	1/P	
28		BRKT-FIN-LFT	1	1/P	
29		LBL-MASK-D_V_GRAY-H14X	3	1/P	
30		LBL-INST-3-H14X	1	1/P	
31		COV-TRAY-BCK-OZ-H14XD	1	1/P	
32 A		SHEET-EMBLEM-2040C	1	1/C	
32 B		SHEET-EMBLEM-2540C	1	1/C	
32 C		SHEET-EMBLEM-3040C	1	1/C	
32 D		SHEET-EMBLEM-3540C	1	1/C	
32 E		SHEET-EMBLEM-4540C	1	1/C	
33		LBL-MASK-D_V_GRAY	1	5/P	
34		LBL-CAU-LSR-350	1	1/KP	
35 A		LBL-SERVICE-45	1	5/P	
35 E		LBL-SERVICE-CABLE	1	1/KP	
37		SHEET-CLNFRT-450	1	1/KP	
39 B		SEAL-COV-FRT-2	1	1/KP	
40 B		SEAL-COV-FRT-1	1	1/KP	
101		CA-0168C	2	5/P	
102		S/TPP/FHEXM-3X8-NI	19	10/P	
103		S/TPP/FHEXM-3X12-NI	4	10/P	
104		S/FHEXM-M4X8-NI	12	10/P	
105		S/TPS/FHEXM/R-4X8-ZU3	22	10/P	
106		PUSHER-SW-FRT-H14X	1	1/P	
107		GSKT-STGL-5-6-12	2	1/P	
108		COV-SUB-TRAY-380	1	1/PP	
109		LBL-E-BRIDGE2	1	1/P	
110		LBL-ENERGY-T-PS-N	1	5/KP	

This Illustrated Parts Manual is to be used for part identification. Part numbers for the most often used parts are listed. To obtain parts for items that do not list an associated part number contact:

**Oki Data Technical Support at 866.654.1725**  
for specific part numbers and part ordering information



# COVER-2-ASY



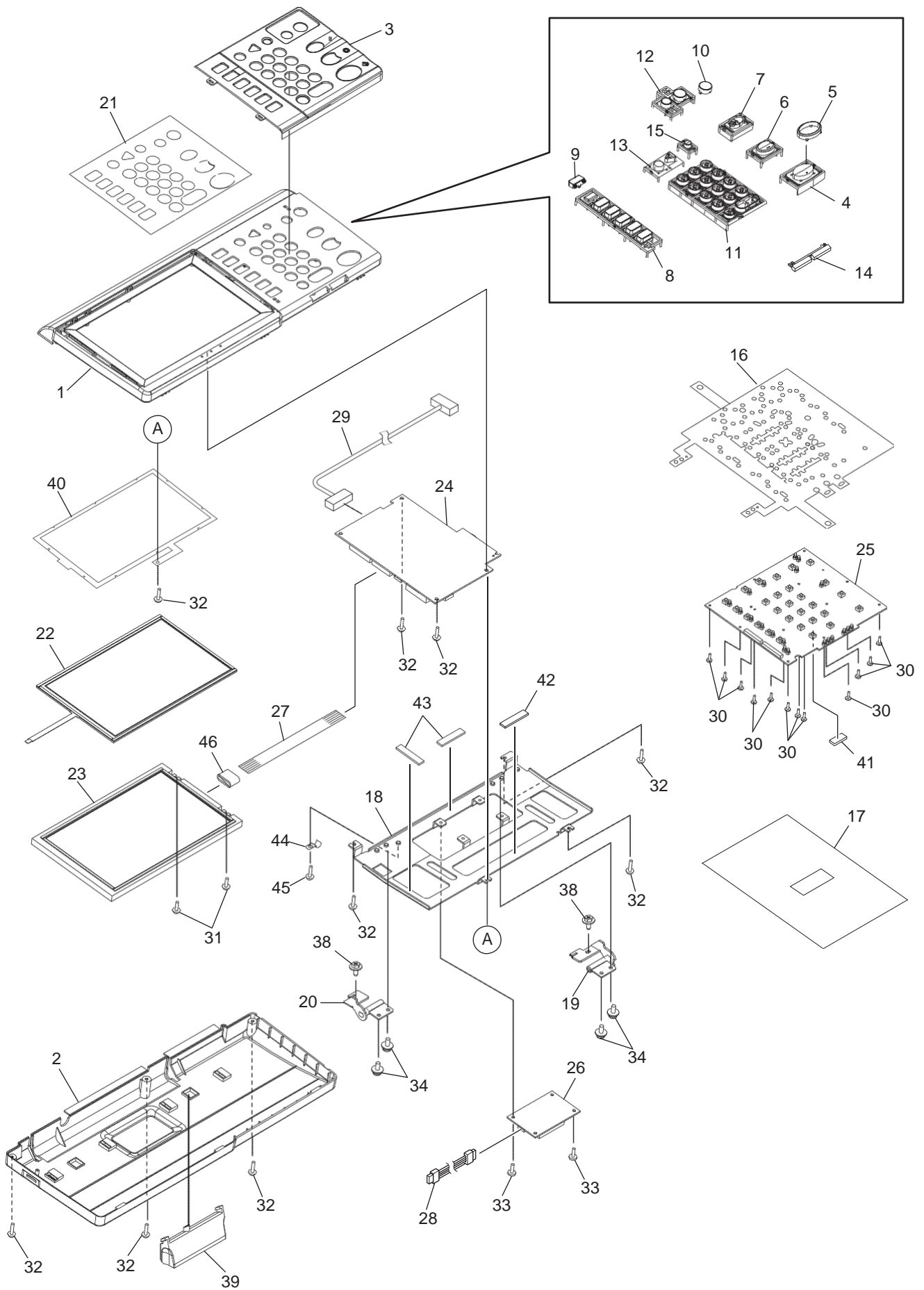
## COVER-2-ASY

ITEM No.	PART No.	PART NAME	Q'TY / PAGE	Q'TY / PACK	REMARKS
1		COVER-TP-RER-H14XD	1	1/PP	
2		FILTER-DUCT-RER-350	1	1/P	
3		PLATE-TP-RER-FAN-350	1	1/P	
4		COVER-GEL-R_G2	1	1/P	
5		COVER-TP-RGT-F45X-DVD	1	1/PP	
6		ASYS-COV-TP-LFT-H14X	1	1/PP	
7		COVER-TP-FRT-H14XD	1	1/PP	
8		COV-RER-TOP-H14XD	1	1/PP	
9		COV-RER-MID-H14XD	1	1/PP	
10		COV-RER-LWR-H14XD	1	1/PP	
11		COVER-DF-CONE_H14X	1	1/P	
12		ASYB-BOOK-HOLDER-CJ2	1	1/PP	
13		LID-BIOSW	1	1/P	
15		LID-SCREW-430	6	1/P	
20		LBL-LASER	1	1/KP	
21 A		LBL-PROHIBIT-E-430	1	1/KP	
21 B		LBL-PROHIBIT-U-430	1	1/KP	
22		LBL-HOT-350-2	1	1/KP	
27		LBL-MASK-COV-SCN-H14X	3	1/P	
29		LBL-MASK-D_V_GRAY	5	5/P	
101		S/TPP/FHEXM-3X6-NI	3	10/P	
102		S/FHEXM-M4X8-NI	12	10/P	
103		S/TPS/FHEXM/R-4X8-ZU3	10	10/P	
104		SCREW-DF-EMI	1	1/P	
105 A		ASYS-COV-DUCT-H140	1	1/P	
106 A		LBL-NAD-FCC	1	1/KP	

This Illustrated Parts Manual is to be used for part identification. Part numbers for the most often used parts are listed. To obtain parts for items that do not list an associated part number contact:

**Oki Data Technical Support at 866.654.1725**  
for specific part numbers and part ordering information

# CONTROL-PANEL-ASY



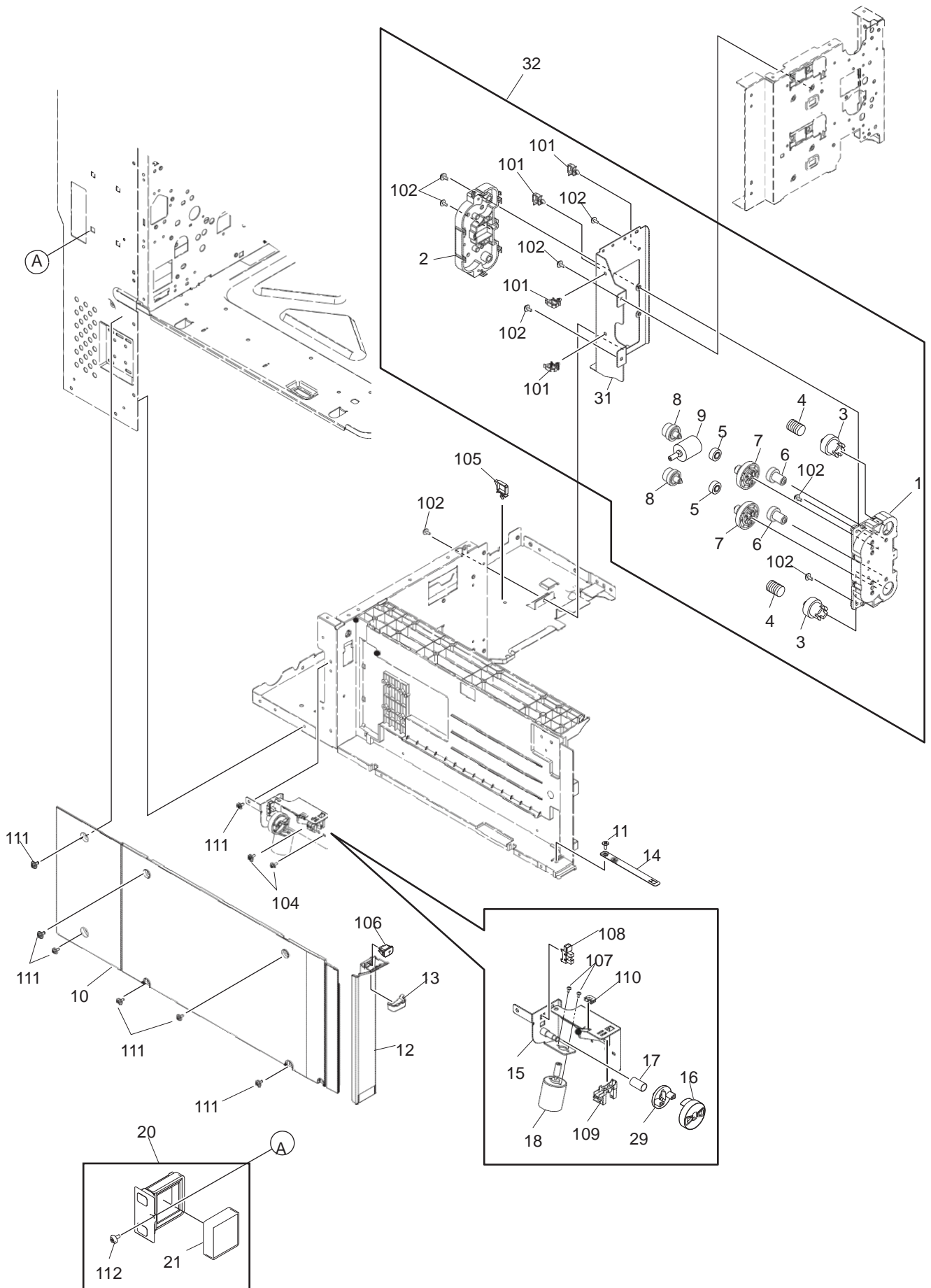
CONTROL-PANEL-ASY

ITEM No.	PART No.	PART NAME	Q'TY / PAGE	Q'TY / PACK	REMARKS
1		COV-CONP-UPR-H14XN	1	1/PP	
2		COV-CONP-LWR-H14XN	1	1/PP	
3		COV-CONP-CLEAR-45X	1	1/PP	
4		KEY-START	1	1/C	
5		KEY-START-RING	1	1/D	
6		KEY-STOP	1	1/C	
7		KEY-RESET-U	1	1/C	
8		KEY-FUNCTION	1	1/C	
9		KEY-MENU	1	1/P	
10		KEY-POWER	1	1/D	
11		KEY-TEN-45X	1	1/C	
12		KEY-ENERGY-45X	1	1/C	
13		KEY-USER-FUNC-45X	1	1/C	
14		LID-LED-45X	1	1/D	
15		KEY-COUNT	1	1/C	
16		MYLAR-SHIELD-45X	1	1/KP	
17		SHIELD-SHEET-470	1	1/KP	
18		SHIELD-CONPANE-45X	1	1/P	
19		ASYS-HINGE-R-45X	1	1/P	
20		ASYS-HINGE-L-45X	1	1/P	
21		SHEET-PANEL-45X-U	1	1/KP	
22		ASYS-PNL-TOUCH-450 (touch panel # 1)	1	1/C	
23		ASYS-DSP-LCD-H100 (touch panel #2)	1	1/C	
24	55120608	PWA-F-DSP-470 (Touch panel PCB)	1	1/SB	
25	55120606	PWA-F-KEY-450N (Key panel PCB)	1	1/SB	
26		INV-DSP-470 (Touch panel inverter)	1	1/C	
27		HRNS-LCD-DSP-470	1	1/P	
28		HRNS-INV-DSP-450	1	1/P	
29		HRNS-SYS-DSP-140	1	1/P	
30		S/TPB/BID-2X6-NI	12	10/P	
31		S/TPP/BRZ-3X8-NI	2	10/P	
32		S/TPP/BRZ-3X10-NI	9	10/P	
33		S/BID-M3X8-NI	2	10/P	
34		S/PAN/SWWP-M4X8-ZU3	4	10/P	
38		S/TPS/FHEXM/R-4X8-ZU3	2	10/P	
39		STOPPER-OPE-45X	1	1/PP	
40		MYLAR-SHIELD-LCD	1	1/KP	
41		SPACER	1	1/P	
42		GSKT-CONP-H14X-1	1	1/P	
43		GSKT-CONP-H14X-2	2	1/P	
44		CLMP-MGC-3	1	1/P	
45		S/PAN/SWWS-M4X6-NI	1	10/P	
46		FRC-31-12-5	1	1/P	

This Illustrated Parts Manual is to be used for part identification. Part numbers for the most often used parts are listed. To obtain parts for items that do not list an associated part number contact:

**Oki Data Technical Support at 866.654.1725**  
for specific part numbers and part ordering information

# BASE-FRAME-ASY



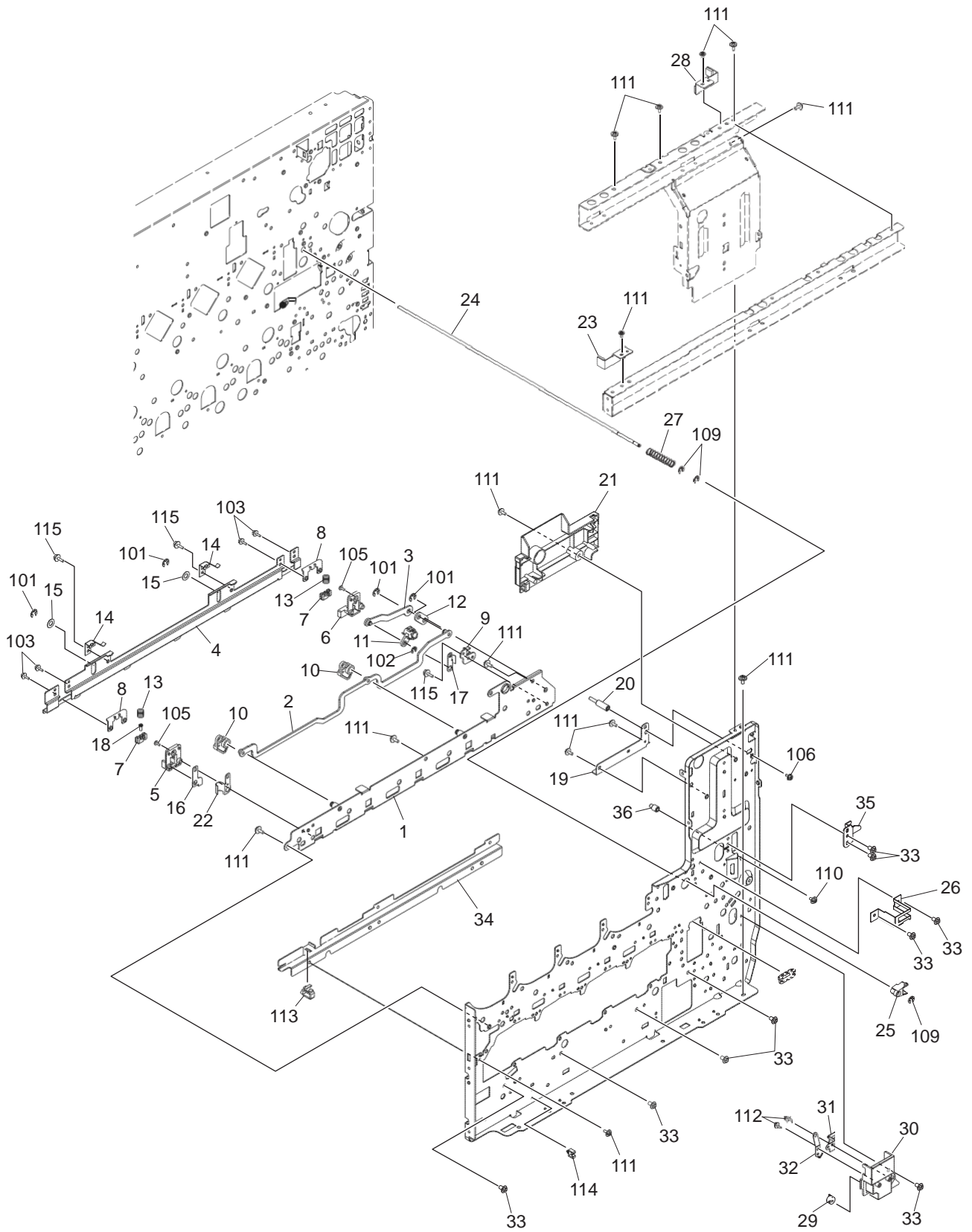
BASE-FRAME-ASY

ITEM No.	PART No.	PART NAME	Q'TY / PAGE	Q'TY / PACK	REMARKS
1		CASE-DRV-TRY-LOW-N	1	1/D	
2		CASE-DRV-TRY-UP-N	1	1/D	
3		GEAR-8S45-8_CPG16	2	1/P	
4		SPC172-100-3400	2	1/P	
5		GEAR-8S25-10	2	1/P	
6		GEAR-8S26_8S18-6	2	1/P	
7		G06S-13-G05S-80	2	1/P	
8		G05H-45/G05S-15	2	1/P	
9	56527301	MOTR.D-TRAY-CST	1	1/D	
10		COV-SIDE-BOX-H14XD	1	1/PP	
11		S/TPP/FLT-4X8-NI	1	5/P	
12		COV-WTNR-FRT-DOOR-DV1	1	1/PP	
13		COV-WTNR-FRT-DOOR-DV2	1	1/P	
14		STOPPER-COV-FRT-WTNR	1	1/P	
15		ASYS-STAY-DRV-BOX	1	1/P	
16		GEAR-5H66-CPL-N	1	1/P	
17		SPG-C-DRV-CPL-WTNR-N	1	1/P	
18	56527606	MOTRD-PDL-140	1	1/D	
20		ASYB-CASE-FLTR-OZN-H14X	1	1/PP	
21		FLTR-OZN-45X-CBO-600M	1	1/C	
29		COUPLE-GEAR-WTNR	1	1/P	
31		FRAME-DRIVE-TRAY-2	1	1/P	
32		ASYB-FRM-DRV-TRAY-380 (Cassette Drive)	1	1/C	
101		LWS-0711Z	4	5/P	
102		S/TPD3/FHEXM-4X8-ZU3	8	10/P	
104		S/TPP/FHEXM-4X8-NI	2	10/P	
105		LWS-1316Z	1	5/P	
106		CA0143-A01C	1	1/P	
107		S/PAN-M2.6X4-NC	2	10/P	
108	55630501	GP1A73ARJ00F	1	1/P	
109		LG285L2-R	1	1/C	
110		ES-0505	1	5/P	
111		S/TPS/FHEXM/R-4X8-ZU3	7	10/P	
112		S/FHEXM-M4X8-NI	1	10/P	

This Illustrated Parts Manual is to be used for part identification. Part numbers for the most often used parts are listed. To obtain parts for items that do not list an associated part number contact:

**Oki Data Technical Support at 866.654.1725**  
for specific part numbers and part ordering information

# FRONT-FRAME-ASY



FRONT-FRAME-ASY

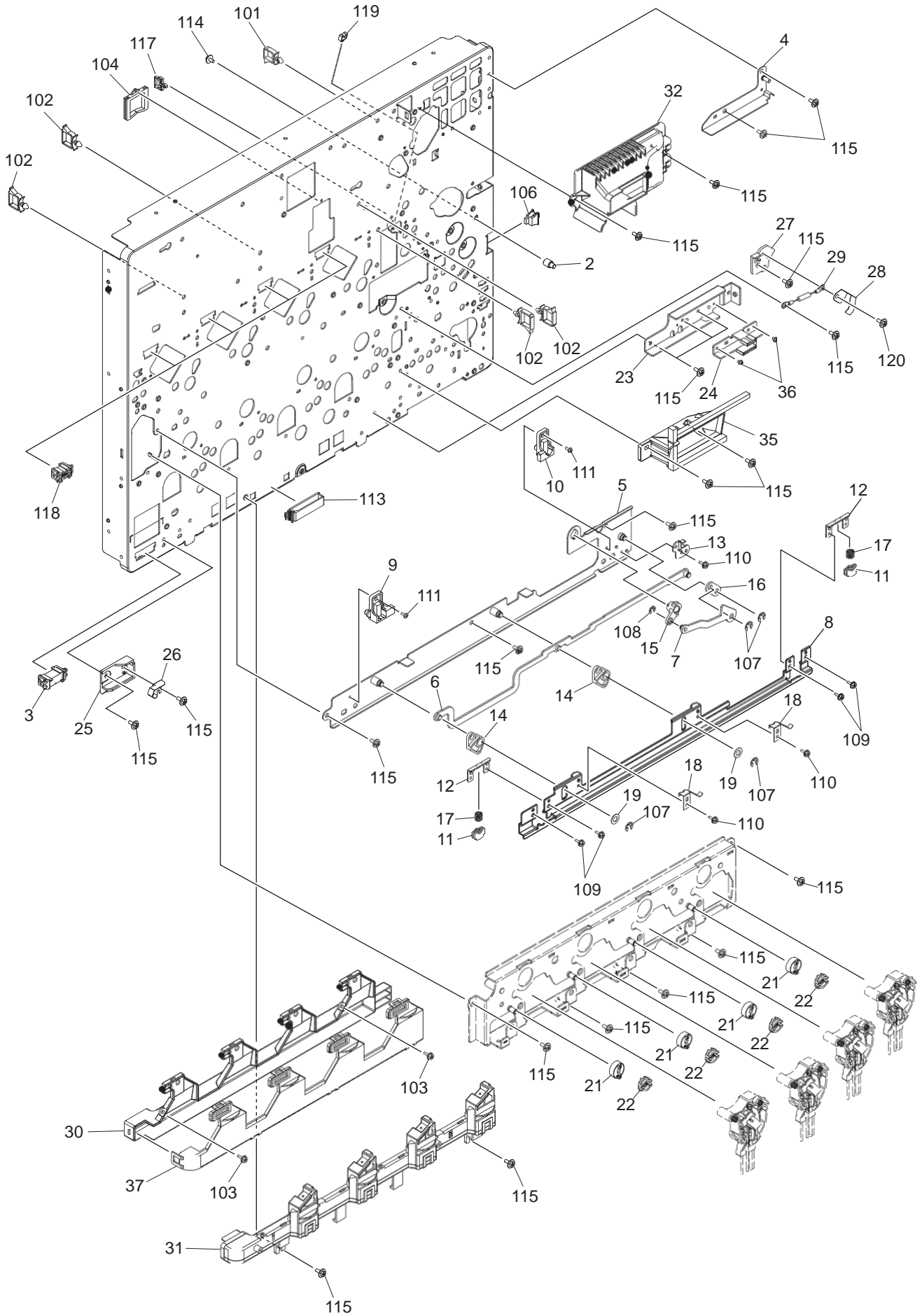
ITEM No.	PART No.	PART NAME	Q'TY / PAGE	Q'TY / PACK	REMARKS
1		ASYS-PLATE-CRU-F	1	1/P	
2		ASYS-LINK-TBU-CRU-F	1	1/P	
3		ASYS-LINK-LIFT-CRU-F	1	1/P	
4		RAIL-GUIDE-TBU-F	1	1/P	
5		HLDR-TBU-F-CL	1	1/P	
6		HLDR-TBU-F-TR	1	1/P	
7		HLDR-RAIL-TBU BRKT-	2	1/P	
8		HLDR-TBU HOLDER-	2	1/P	
9		GUIDE-MID-L-F CAM-	1	1/P	
10		LIFT-TBU-F	2	1/P	
11		CAM-LIFT-CRU-F	1	1/P	
12		LINK-LIFT-PLATE-CRU	1	1/P	
13		SPG-HLDR-RAIL-TBU	2	5/P	
14		SPG-F-DPM-TBU-F	2	1/P	
15		WSHR-6R2X12XR5-APS	2	5/P	
16		SPG-F-FIX-TBU-CL	1	1/P	
17		SPG-F-FIX-TBU	1	1/P	
18		SCREW-TBU-F380-2	1	5/P	
19		BRKT-SLIDE-F	1	1/P	
20		STUD-LEVER-ADU-F	1	1/P	
21		COV-FRM-TOP-BCK-380D	1	1/P	
22		SPG-TBU-F-CLN	1	1/P	
23		ASYS-BRKT-GEL-L-F-H140	1	1/P	
24		SHAFT-DOOR-SW	1	1/P	
25		PUSHER-COVF-45X	1	1/P	
26		BRKT-SWCOV-45X	1	1/P	
27		SPG-C-5R75XR55X40	1	1/P	
28		ASYS-BRKT-GEL-R-F-H140	1	1/P	
29		ASYS-ERZV10D821-350	1	1/D	
30		HLDR-ERTH-RGST	1	1/P	
31		SPG-F-RGST-R	1	1/P	
32		SPG-F-RGST-L	1	1/P	
33		S/TPS/FHEXM/R-4X8-ZU3	9	10/P	
34		BRKT-BASE-SHUT-FRT-450	1	1/P	
35		BRKT-FUS-FRM-F2	1	1/P	
36		STUD-HOOK-TRU	1	1/P	
101		RR/E-5-SS RR/E-4-	4	10/P	
102		SS S/FHEXM-M3X8-	1	10/P	
103		NI S/TPS/BID-3X6-	4	10/P	
105		ZU3	2	10/P	
106		S/FHEXM-M3X6-NI	1	10/P	
109		RR/E-3-SS S/FHEXM-	3	10/P	
110		M4X6-NI S/TPD3/FHEXM-	1	10/P	
111		4X8-ZU3	14	10/P	
112		S/TPP/FHEXM-3X8-NI	2	10/P	
113		RLWT-1V0	1	5/P	
114		MSB-1207	1	5/P	
115		S/TPD3/FHEXM-3X6-ZU3	3	10/P	

This Illustrated Parts Manual is to be used for part identification. Part numbers for the most often used parts are listed. To obtain parts for items that do not list an associated part number contact:

**Oki Data Technical Support at 866.654.1725**  
for specific part numbers and part ordering information



# REAR-FRAME-ASY-1



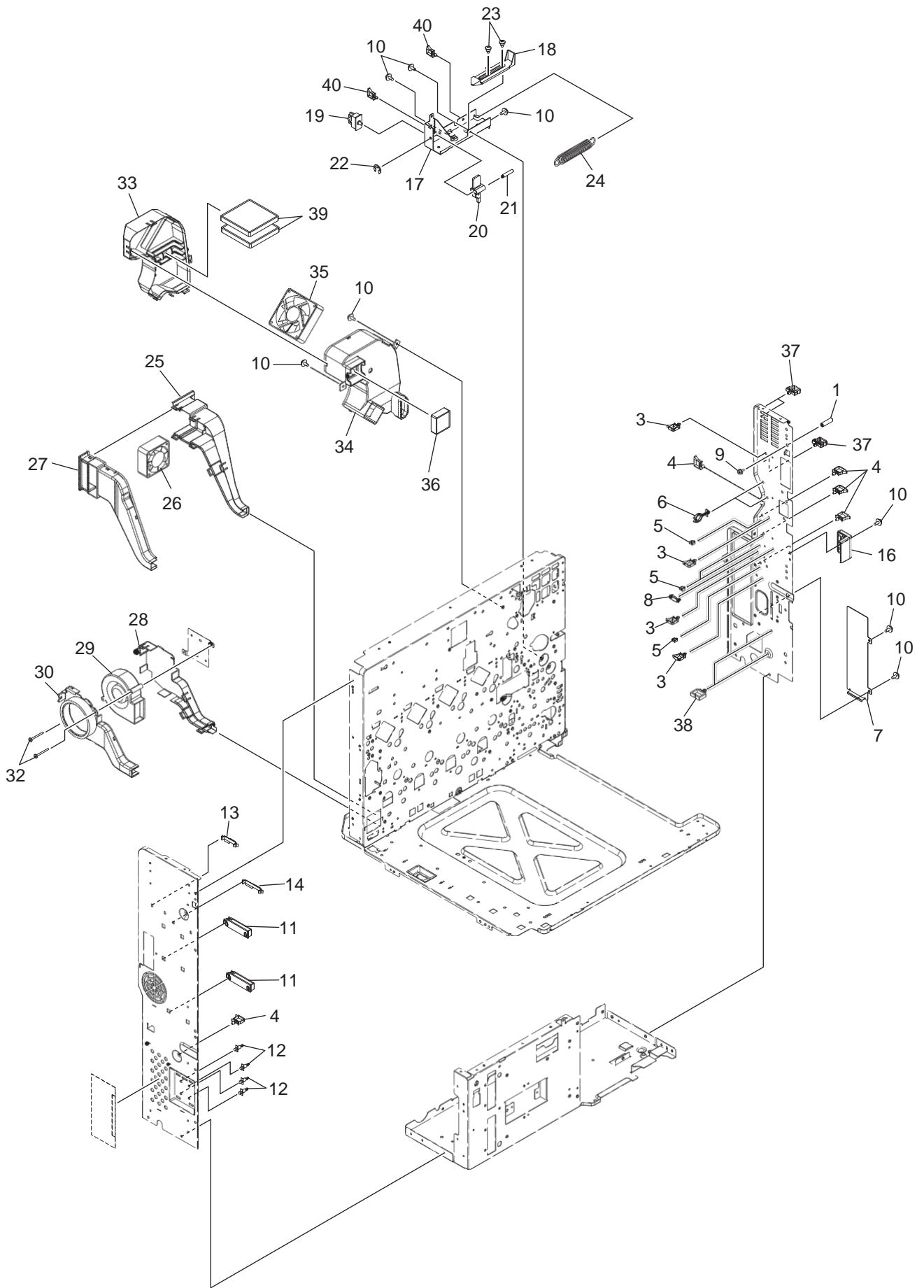
REAR-FRAME-ASY-1

ITEM No.	PART No.	PART NAME	Q'TY / PAGE	Q'TY / PACK	REMARKS
2		STUD-HOOK-TRU	1	1/P	
3		BU28P-TZW-S (LF)(SN)	1	1/P	
4		ASYS-BKT-SLD-R	1	1/P	
5		ASYS-PLATE-CRU-R	1	1/P	
6		ASYS-LINK-TBU-CRU-R	1	1/P	
7		ASYS-LINK-LIFT-CRU-R	1	1/P	
8		RAIL-GUIDE-TBU-R	1	1/P	
9		HLDR-TBU-R-CL	1	1/P	
10		HLDR-TBU-R-TR	1	1/P	
11		HLDR-RAIL-TBU	2	1/P	
12		BRKT-HLDR-TBU	2	1/P	
13		HOLDER-GUIDE-MID-L-R	1	1/P	
14		CAM-LIFT-TBU-R	2	1/P	
15		CAM-LIFT-CRU-R	1	1/P	
16		LINK-LIFT-PLATE-CRU	1	1/P	
17		SPG-HLDR-RAIL-TBU	2	5/P	
18		SPG-F-DPM-TBU-R	2	1/P	
19		WSHR-6R2X12XR5-APS	2	5/P	
21		ASYS-GEAR-6H24-BRG-F14X	4	1/P	
22		COUPL-DRIVE-DEV-MID	4	1/P	
23		ASYS-BASE-LSU-RER-RGT	1	1/P	
24		BRKT-REINF-FRM-R	1	1/P	
25		BASE-LSU-RER-LFT	1	1/P	
26		SPG-F-HLDR-LSU-LFT	1	1/P	
27		TERM-GUIDE-MID	1	1/P	
28		SPG-F-TERM-GUIDE	1	1/P	
29		ASYS-RESIST-380	1	1/D	
30 A		ASYS-DUCT-EPU-COOL-TOP	1	1/PP	
31		ASYS-DUCT-OZN	1	1/PP	
32		DUCT-EXIT-REAR	1	1/P	
35		ASYS-DUCT-LSU-REAR	1	1/P	
36		S/PAN/WP-M3X5-NI	2	10/P	
37 A		DUCT-EPU-COOL-BTM-F45X	1	1/D	
101		LWS-1211Z	1	5/P	
102		LWS-1316Z	4	5/P	
103 A		S/TPP/FHEXM-3X8-NI	2	10/P	
104		EDS-2323U	1	5/P	
106		CS1A-B2CA	1	1/D	
107		RR/E-5-SS	4	10/P	
108		RR/E-4-SS	1	10/P	
109		S/FHEXM-M3X8-NI	4	10/P	
110		S/TPD3/FHEXM-3X6-ZU3	3	10/P	
111		S/TPS/BID-3X6-ZU3	2	10/P	
113		RFCC-525S	1	1/P	
114		S/FHEXM-M4X6-NI	1	10/P	
115		S/TPD3/FHEXM-4X8-ZU3	23	10/P	
117		RLMS-2V0	1	1/P	
118		BU16P-TZW-S (LF)(SN)	4	1/P	
119		MSB-1207	1	5/P	
120		S/TPP/FHEXM-4X8-NI	1	10/P	

This Illustrated Parts Manual is to be used for part identification. Part numbers for the most often used parts are listed. To obtain parts for items that do not list an associated part number contact:

**Okidata Technical Support at 866.654.1725**  
for specific part numbers and part ordering information

# REAR-FRAME-ASY-2



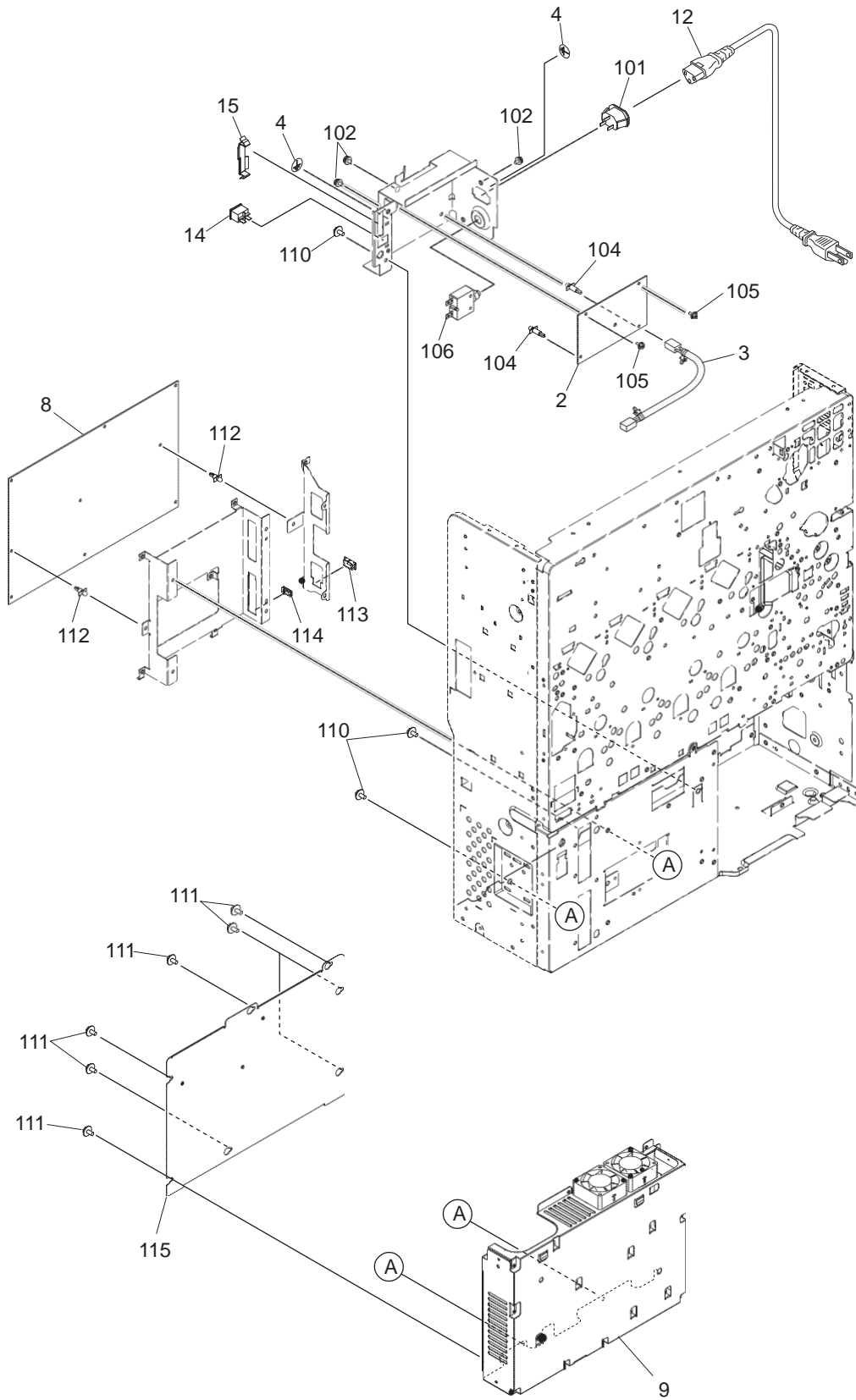
REAR-FRAME-ASY-2

ITEM No.	PART No.	PART NAME	Q'TY / PAGE	Q'TY / PACK	REMARKS
1		STUD-ADU-380	1	1/P	
3		LWS-1211Z	4	5/P	
4		LWS-1316Z	5	5/P	
5		MSB-1207	4	5/P	
6		HL-18-0	2	5/P	
7		PLATE-COVER-FAX	1	1/P	
8		RFC-16V0	1	1/P	
9		S/FHEXM-M3X6-NI	1	10/P	
10		S/TPS/FHEXM/R-4X8-ZU3	8	10/P	
11		RFCC-525S	2	1/P	
12		SPLSN-6U	4	5/P	
13		RFC-33V0	1	1/P	
14		RFC-45V0	1	1/P	
16		COVER-HNS-H14XD	1	1/P	
17		BRKT-DOOR-SW-380	1	1/P	
18		SLIDE-SW-ADU	1	1/P	
19		FA1L-AA22	1	1/D	
20		GUIDE-SW-DOOR-380	1	1/P	
21		STUD-DOOR-SW	1	1/P	
22		RR/E-4-SS	1	10/P	
23		SCREW-CH-M	2	10/P	
24		SPG-E-6R5XR45X31R9	1	1/P	
25		DUCT-OZN-FAN-B	1	1/PP	
26		ASYS-DUCT-FAN-60-H140	1	1/D	
27		ASYS-DUCT-OZN-A	1	1/PP	
28 A		ASYS-DUCT-EPU-COOL-B	1	1/PP	
29 A		FAND-DEV-390	1	1/D	
30 A		ASYS-DUCT-EPU-COOL-A	1	1/PP	
32 A		S/BID-M4X35-NI	2	10/P	
33		DUCT-TNR-EXIT-U-H140	1	1/PP	
34		ASYS-DUCT-TNR-EXIT-L-H140	1	1/PP	
35		ASYS-DUCT-FAN	1	1/D	
36		FLTR-OZ-50-TNR-EX-450	1	1/C	
37		RLWC-2SV0	3	5/P	
38		WS-4W	2	5/P	
39		FLTR-OZN-H140	2	1/P	
40		LWS-0711Z	2	5/P	

This Illustrated Parts Manual is to be used for part identification. Part numbers for the most often used parts are listed. To obtain parts for items that do not list an associated part number contact:

**Oki Data Technical Support at 866.654.1725**  
for specific part numbers and part ordering information

# POWER-SUPPLY-ASY



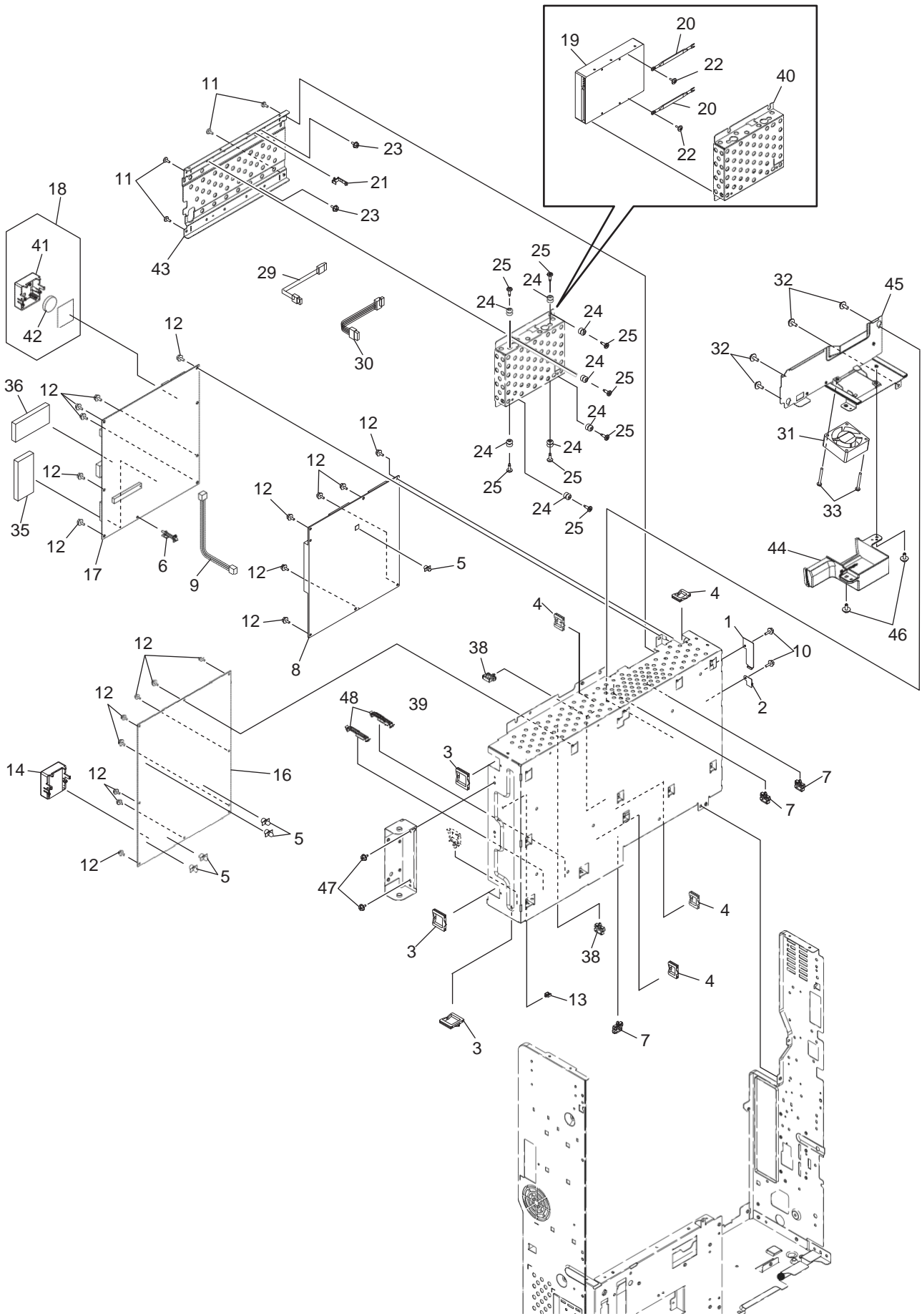
POWER-SUPPLY-ASY

ITEM No.	PART No.	PART NAME	Q'TY / PAGE	Q'TY / PACK	REMARKS
2 A	55120604	PWA-F-FIL-450-U	1	1/SB	
2 B		PWA-F-FIL-450-E	1	1/SB	
3		HRNS-FIL-POW-350	1	1/P	
4		MARK-EARTH-VDE-371	2	10/P	
8		56423803	PS-HVT-140 (High Voltage PCB)	1	
9 A	56423801	ASYB-PSU-H140-UL	1	1/C	CX3535 ONLY
9 B	56423802	ASYB-PSU-H140-EL	1	1/C	CX4545 ONLY
9 C		ASYB-PSU-H140-UH	1	1/C	
9 D		ASYB-PSU-H140-EH	1	1/C	
12 A		CABLE-P-INLET-US	1	1/P	
12 B		CABLE-P-INLET-EUR	1	1/P	
12 C	CABLE-P-INLET-AU	1	1/P		
12 D	CABLE-P-INLET-UK	1	1/P		
14	AJ76101BF	1	1/P		
15	RFC-33V0	1	1/P		
101		AC-P10CF34	1	1/P	
102		S/PAN/SWWS-M4X6-NI	3	10/P	
104		SPLSN-8U	2	5/P	
105		S/TPD3/FHEXM-3X6-ZU3	2	10/P	
106 A		PE7415-3381-091H	1	1/D	
106 B		PE7410-3381-091H	1	1/D	
110	S/TPS/FHEXM/R-4X8-ZU3	3	10/P		
111	S/FHEXM-M4X8-NI	7	10/P		
112	SPLSN-4U	2	5/P		
113	ESC-0912	1	10/P		
114	LES-0510	1	1/P		
115	ASYS-LIDPSU-H14X	1	1/P		

This Illustrated Parts Manual is to be used for part identification. Part numbers for the most often used parts are listed. To obtain parts for items that do not list an associated part number contact:

**Oki Data Technical Support at 866.654.1725**  
for specific part numbers and part ordering information

# CASE-PCB-ASY



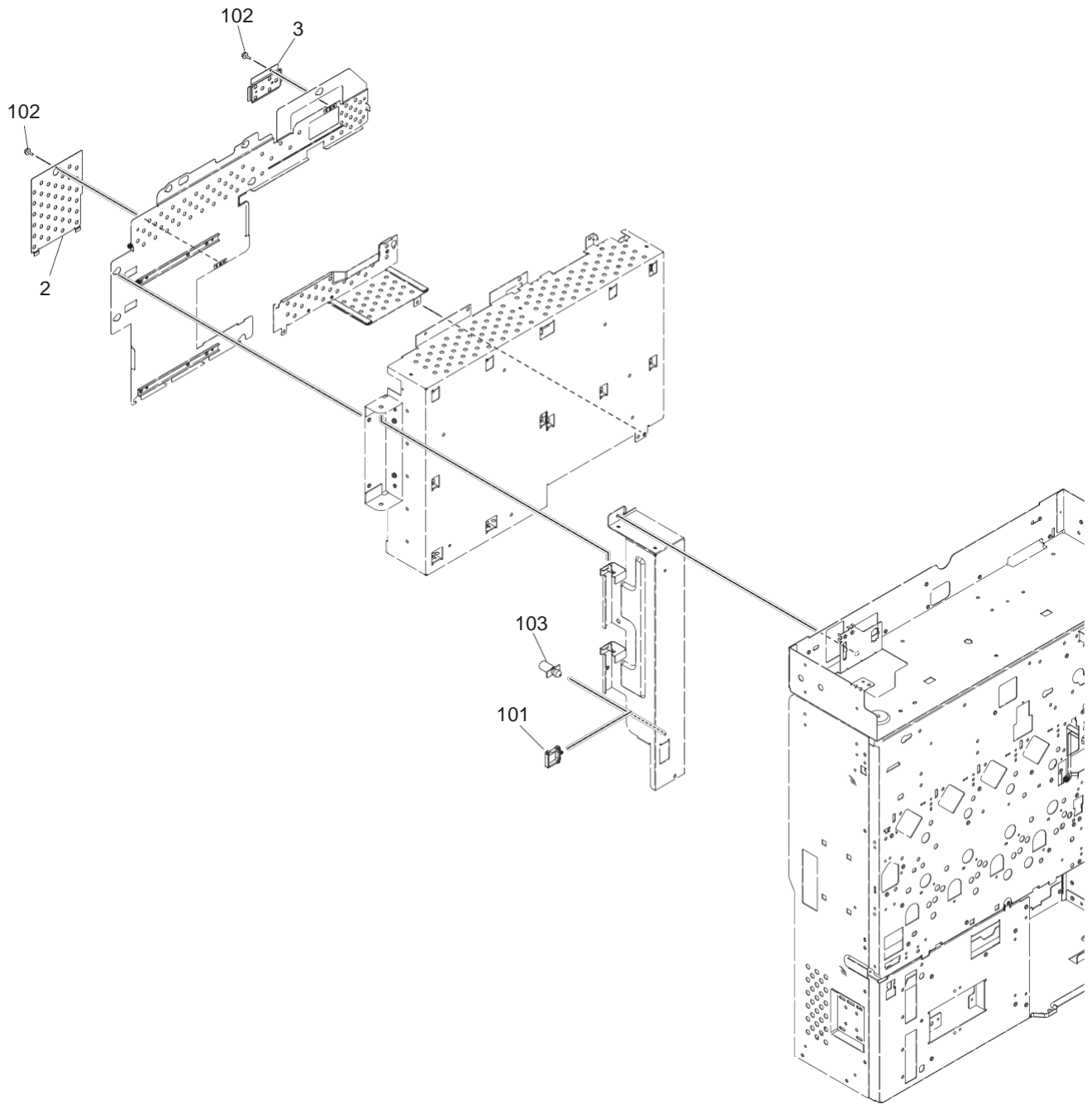
CASE-PCB-ASY

ITEM No.	PART No.	PART NAME	Q'TY / PAGE	Q'TY / PACK	REMARKS
1		COV-CNCT-DWN	1	1/P	
2		COV-CNCT-USB-H	1	1/P	
3		EDS-2323U	3	5/P	
4		EDS-1717U	4	10/P	
5		SPSN-4U	5	5/P	
6		SHCBS-14	1	1/P	
7		RLWC-2SV0	3	5/P	
8	55120605	PWA-F-IMG-450	1	1/SB	Image PCB
9		HRNS-SYS-FAN-450	1	1/P	
10		S/TPD3/FHEXM-3X8-ZU3	2	10/P	
11		S/BID-M3X6-NI	4	10/P	
12		S/FHEXM-M3X6-NI	20	10/P	
13		MSB-1207	1	5/P	
14	55120706	ASYB-SRAM-T130MS	1	1/C	SRAM LGC PCB
16 A		ASYB-LGC-140S	1	1/SB	
16 B		ASYB-LGC-141S	1	1/SB	
16 C		ASYB-LGC-142S	1	1/SB	
16 D	55120702	ASYB-LGC-143S	1	1/SB	LGC PCB CX3535 ONLY
16 E	55120703	ASYB-LGC-144S	1	1/SB	LGC PCB CX4545ONLY
17	55120707	ASYB-PWA-SYS-140S	1	1/SB	SYS PCB
18	55120603	ASYB-SRAM-430S	1	1/C	SRAM SYS PCB
19		WD1600AVJS-63N9A0 (Hard Disk Drive)	1	1/S	
20		GST-100-RFM4	2	1/P	
21		RLWS-1TV0	1	10/P	
22		SCREW-#6-32X1/4	2	10/P	
23		S/TPD3/FHEXM-3X6-ZU3	2	10/P	
24		HED-1111-ALS20ABK	8	1/P	
25		SCREW-HDD-CASE	8	1/P	
29		HRNS-SATA-SIG-140	1	1/P	
30		HRNS-SATA-POW-140	1	1/P	
31		FAN_D-SYS-6025-430	1	1/D	
32		S/FHEXM-M4X8-NI	4	10/P	
33		S/TPS/PAN-4X32-ZU3	2	10/P	
35		HYMP112S64CP6-S6	1	1/C	
36		MT4HTF6464HZ-800H1	1	1/C	
38		RLWC-3SV0	3	5/P	
40		BRKT-HDD-380	1	1/P	
41		COVER-SRAM-BOARD	1	1/P	
42		LI-BAT-CR-2450	1	1/S	
43		STAY-HDD-380	1	1/P	
44		ASYS-DUCT-SYS-FAN-H140	1	1/PP	
45		COVER-FAX-CNCT-H140	1	1/PP	
46		S/TPS/FHEXM/R-4X8-ZU3	2	10/P	
47		S/TPS/FHEXM/R-3X6-ZU3	2	10/P	
48		RFC-45V0	2	1/P	

This Illustrated Parts Manual is to be used for part identification. Part numbers for the most often used parts are listed. To obtain parts for items that do not list an associated part number contact:

**Oki Data Technical Support at 866.654.1725**  
for specific part numbers and part ordering information





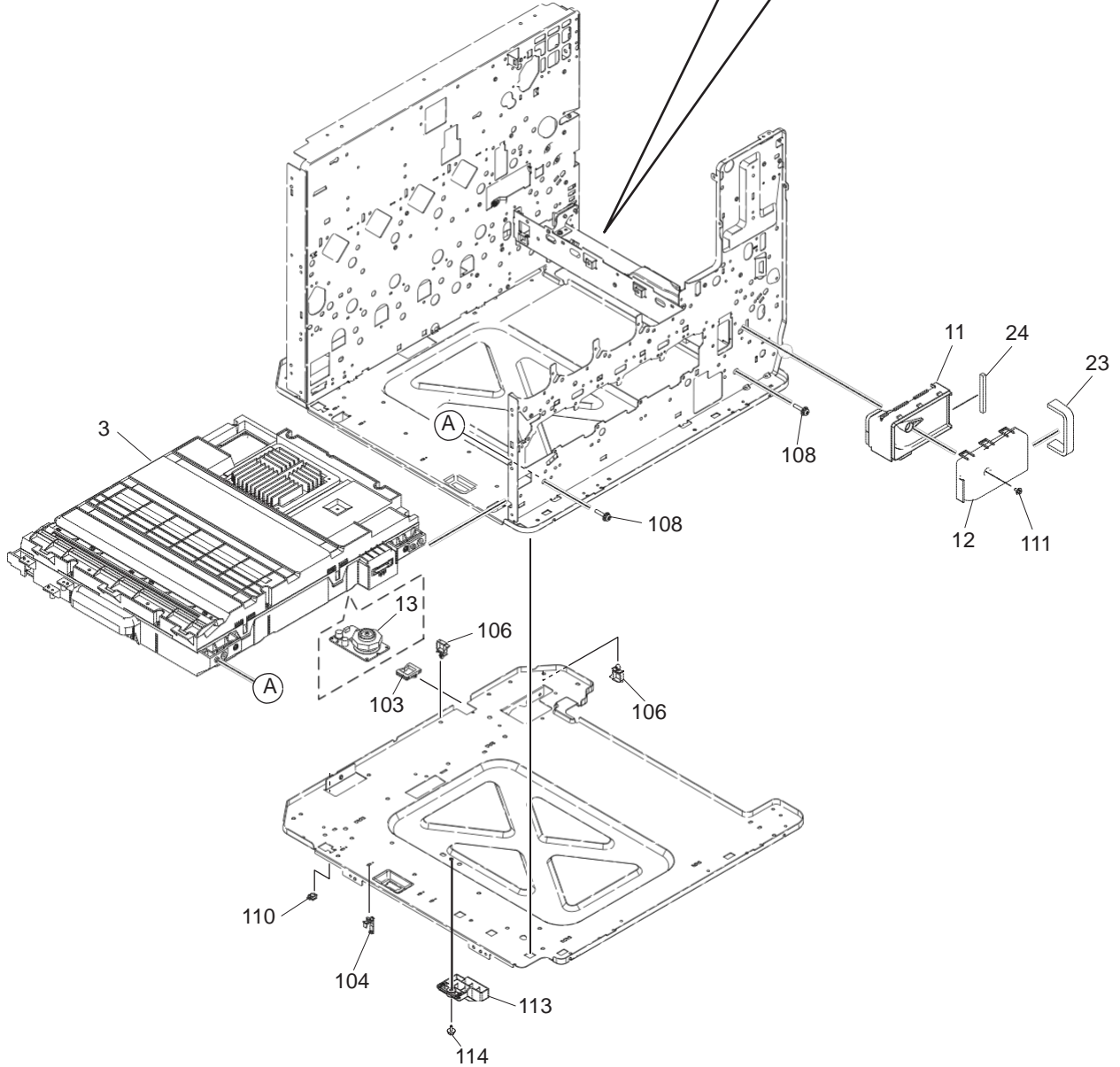
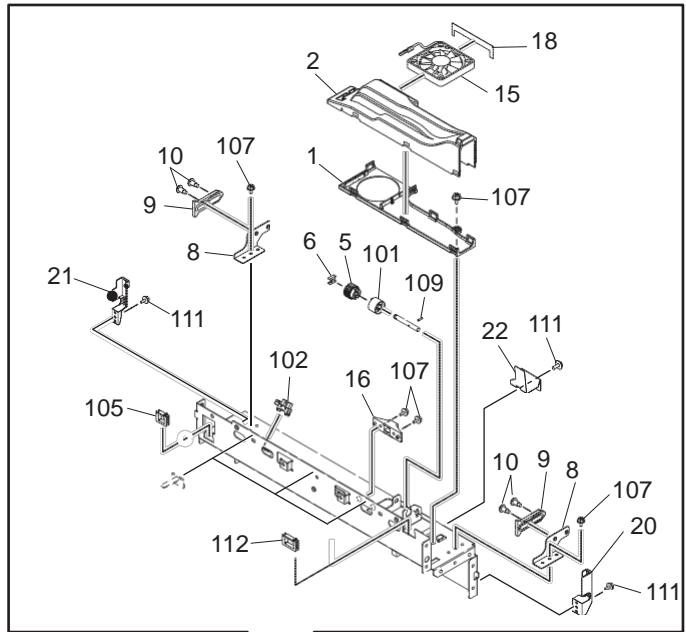
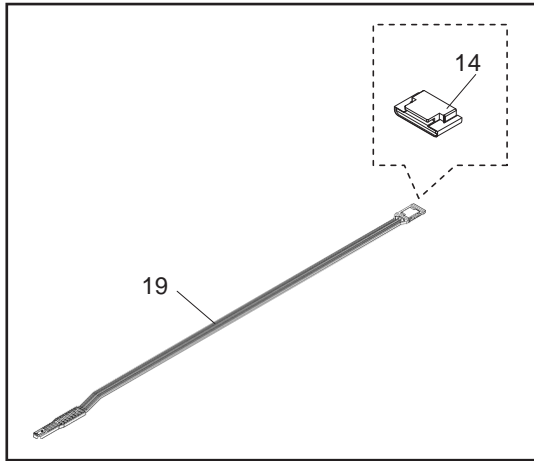
COV\_STAY-PCB-ASY

ITEM No.	PART No.	PART NAME	Q'TY / PAGE	Q'TY / PACK	REMARKS
2		COVER-DL-380	1	1/P	
3		COVER-PIF-380	1	1/P	
101		RLWC-6SV0	1	5/P	
102		S/TPD3/FHEXM-3X8-ZU3	2	10/P	
103		SPSN-8U	1	5/P	

This Illustrated Parts Manual is to be used for part identification. Part numbers for the most often used parts are listed. To obtain parts for items that do not list an associated part number contact:

**Oki Data Technical Support at 866.654.1725**  
for specific part numbers and part ordering information

# LASER-OPTICAL-UNIT



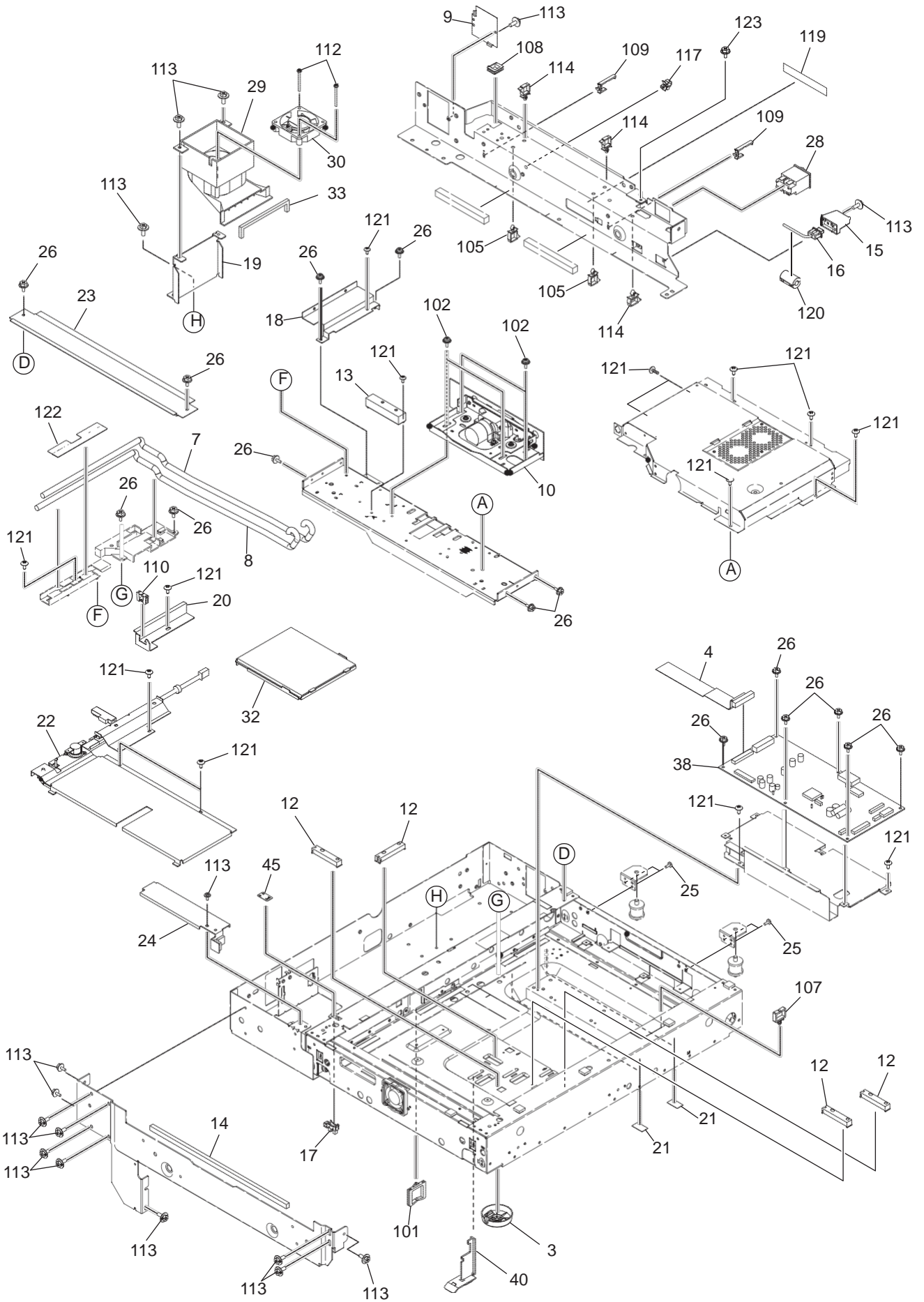
LASER-OPTICAL-UNIT

ITEM No.	PART No.	PART NAME	Q'TY / PAGE	Q'TY / PACK	REMARKS
1 2 3 A 3 B 5	50244001 50244002	DUCT-LSU-R-D-LWR DUCT-LSU-R-D-UPR LASER-UNIT-H140 LASER-UNIT-H144 GEAR-08S21-TRU-S	1 1 1 1 1	1/D 1/D 1/S 1/S 1/P	CX3535 ONLY CX4545 ONLY
6 8 9 10 11		STOP-RING-6-4 PLT-PUSH-TRU PUSHER-TRU SCREW-SCAN-DF ASYS-DUCT-LSU-LWR	1 2 2 4 1	5/P 1/P 1/P 5/P 1/PP	
12 13 A 13 B 14 15	56527501	DUCT-LSU-FN-UPR MOTR_D-POL-380-ZS MOTR_D-POL-382-S (Laser motor) ASYS-CLNR-GLASS (Laser glass cleaner) ASYS-FAN-LSU-380	1 1 1 1 1	1/P 1/S 1/S 1/P 1/D	CX3535 ONLY CX4545 Only
16 18 19 20 21		HLDR-MID-ROLLER SEAL-DUCT-LSU ASYB-CLNLSU-45X (Laser glass cleaner wand) COVER-SPG-CAM-F-H COVER-SPG-CAM-R-H	1 1 1 1 1	1/P 1/KP 1/KP 1/P 1/P	
22 23 24 101 102	55630501	SPG-DETENT-TRU SEAL-DUCT-LSU-F-A SEAL-DUCT-LSU-F-B OTLV6-500B GP1A73ARJ00F	1 1 1 1 1	1/P 1/KP 1/KP 5/P 1/P	
103 104 105 106 107		EDS-1717U RLWS-1TV0 LES-1010 LWS-1211Z S/TPD3/FHEXM-3X6-ZU3	1 1 1 2 5	10/P 10/P 5/P 5/P 10/P	
108 109 110 111 112		S/PAN/SWWP-M4X16-N1 P/PRL/AH7-2X8-SS EDS- 0607M S/TPS/FHEXM/R- 4X8-ZU3 LES-1017	2 1 1 4 1	10/P 10/P 5/P 10/P 1/P	
113 114		SLOPE-LOCK-CST1 S/TPS/FHEXM/R-3X6-ZU3	1 1	1/P 10/P	

This Illustrated Parts Manual is to be used for part identification. Part numbers for the most often used parts are listed. To obtain parts for items that do not list an associated part number contact:

**Oki Data Technical Support at 866.654.1725**  
for specific part numbers and part ordering information

# OPTICAL-FRAME-ASY



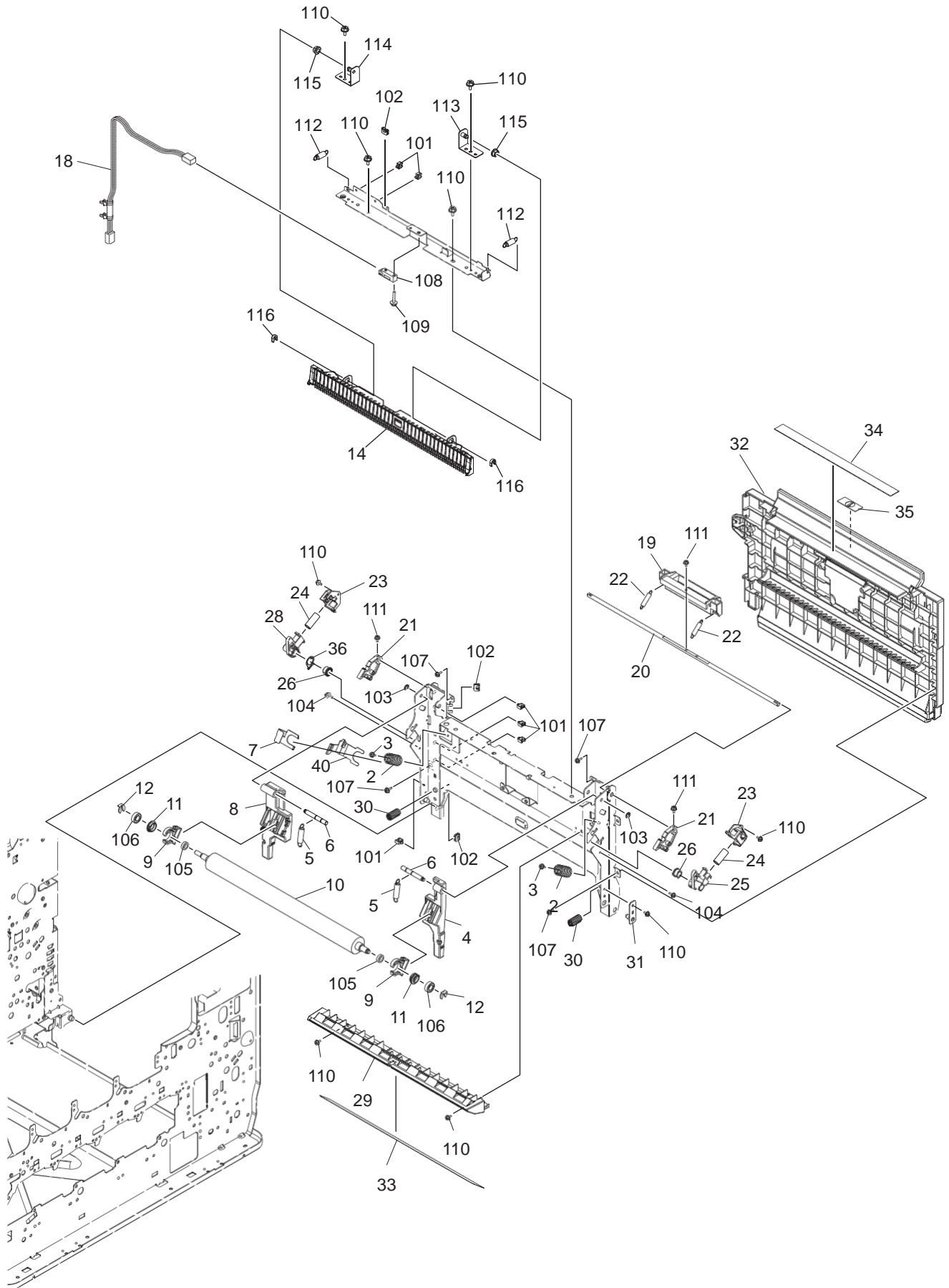
## OPTICAL-FRAME-ASY

ITEM No.	PART No.	PART NAME	Q'TY / PAGE	Q'TY / PACK	REMARKS
3		COVER-FOOT-SCAN-380	1	1/P	
4		HRNS-SCN-SYS-450	1	1/P	
7		HRNS-SCN-SNSR-450	1	1/P	
8		HRNS-SCN-PS-450	1	1/P	
9		COVER-KEY	1	1/P	
10	56128101	LENS-UNIT-H140	1	1/S	
12 A		SNSR-PS-182EL1 (Sensor-paper Size)	3	1/C	
12 B		SNSR-PS-182EL1 (Sensor-paper Size)	4	1/C	
13		SNSR-PS-TY1CH56 (Sensor-paper Size)	1	1/C	
14		CUSH-STAY-TP-LFT	1	1/KP	
15		HOLDER-USB-45X	1	1/P	
16		CABLE-USB-450	1	1/P	
17	55630501	GP1A73ARJ00F	1	1/P	
18		COVER-HRNS-SLG	1	1/P	
19		BRKT-FAN-RER-380	1	1/P	
20 B		BRKT-D_H-LENS	1	1/P	
21		MYLAR-BASE-SCAN	4	5/KP	
22 A		ASY-D-H-SCAN-L-E-371	1	1/C	
23		STAY-TP-RGT-SCAN	1	1/P	
24		ASYS-BRKT-COV-GEL-LR-H140	1	1/P	
25		S/TPS/BID-3X6-ZU3	4	10/P	
26		S/TPD3/FHEXM-3X6-ZU3	15	10/P	
28		AJ8W200WWF	1	1/D	
29		DUCT-SCAN-RER	1	1/P	
30		FAND-6015-39X	1	1/D	
32 A		ASY-D_H-SCAN-R-E-371	1	1/C	
33		CUSH-DUCT-SCAN-RER	1	1/KP	
38	55120704	ASYB-PWA-SLG-140S	1	1/SB	
40		LOCK-CRG-450	1	1/P	
45		COVER-SNSR-LIFT	1	1/P	
101		EDS-2323U	1	5/P	
102		S/PAN/SWWP-M3X8-NI	4	10/P	
105		LWS-1211Z	2	5/P	
107		WWS-2U	1	5/P	
108		LES-1010	1	5/P	
109		RLWS3TV0	2	5/P	
110 B		ES-0505	1	5/P	
112		S/TPP/PAN-3X20-NI	2	10/P	
113		S/TPS/FHEXM/R-4X8-ZU3	16	10/P	
114		LWS-0711Z	3	5/P	
117		FGCS-5	1	1/P	
119		MYLAR-FRAME-R-L	1	1/KP	
120		SFT-36SN	1	1/P	
121		SCR-M3X6BISR-NI	15	10/P	
122		MYLAR-GUIDE-HNS-380	1	1/KP	
123		S/TPS/FHEXM/R-3X6-ZU3	1	10/P	

This Illustrated Parts Manual is to be used for part identification. Part numbers for the most often used parts are listed. To obtain parts for items that do not list an associated part number contact:

**Oki Data Technical Support at 866.654.1725**  
for specific part numbers and part ordering information

# TRU-UNIT-1



TRU-UNIT-1

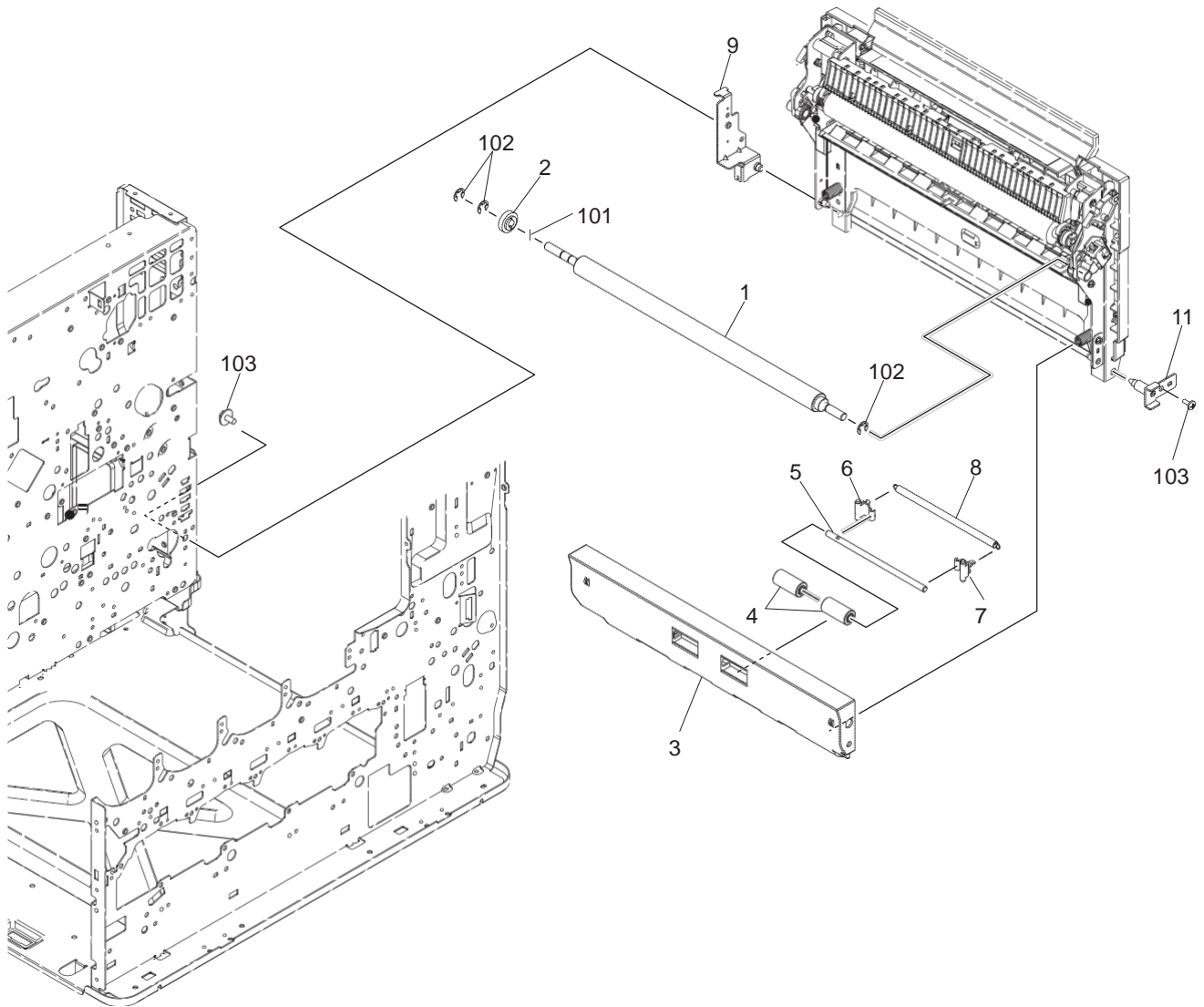
ITEM No.	PART No.	PART NAME	Q'TY / PAGE	Q'TY / PACK	REMARKS
2		SPG-C-16R5X1R4X56R2-TR2	2	1/P	
3		SCREW-SPG-TR2	2	5/P	
4		ARM-TRU-F	1	1/P	
5		SPG-E-8R2XR9X31R5-TRU-ROL	2	1/P	
6		STUD-PIVOT-TRU	2	1/P	
7		SPG-F-ARM-R-TRU	1	1/P	
8		ARM-TRU-R	1	1/P	
9		HOLDER-ROL-TRU-H14X	2	1/P	
10		CR-FC35TR2 (Second Trans Roller)	1	1/S	
11		BUSH-TRU-ROL	2	1/P	
12		STOP-RING-6-1.5	2	5/P	
14		ASYS-TRU-GUIDE-H14X	1	1/C	
18		HRNS-TRUFAN-140	1	1/P	
19		LEVER-LOCK-TRU-380	1	1/P	
20		SHAFT-HOOK-TRU	1	1/P	
21		HOOK-TRU-380	2	1/P	
22		SPG-E-6R1XR6X25R4-TRU	2	1/P	
23		HOLDER-RGST-SPE	2	1/P	
24		SPG-C-10R1X1X48R4	2	1/P	
25		BUSH-ROL-RGST-F	1	1/P	
26		BUSH-8X12X8F-NU4	2	5/P	
28		BUSH-ROL-RGST-R	1	1/P	
29		ASYS-GUIDE-RGST-R-H14X	1	1/PP	
30		SPG-C-10R8X1X38R5	2	1/P	
31		ASYS-BRKT-GUIDE-TR1	1	1/P	
32		COVER-TRU-H14XD	1	1/PP	
33		SHEET-GUIDE-ADU	1	1/KP	
34		LBL-CAU-BLT-410	1	1/KP	
35		LBL-FUS-1	1	5/P	
36		SPL-EARTH-RGST-R	1	1/P	
40		SPG-F-EARTH-TRU-ROL	1	1/C	
101		UAMS-05-0	6	5/P	
102		ES-0505	3	5/P	
103		RR/E-4-SS	2	10/P	
104		S/TPD3/FHEXM-3X8-ZU3	2	10/P	
105		L-1280ZZHP0P25LY551	2	1/P	
106		DDL-1680HHRPOP25LY349	2	1/P	
107		S/TPP/FHEXM-3X8-NI	4	10/P	
108		PS119ED1	1	1/C	
109		S/PAN/SWWP-M3X14-NI	1	10/P	
110		S/TPD3/FHEXM-3X6-ZU3	9	10/P	
111		S/FHEXM-M3X6-NI	3	10/P	
112		SPG-E-5R1XR45X13R35-GUIDE	2	1/P	
113		ASYS-HLDR-GUIDE-F	1	1/P	
114		ASYS-HLDR-GUIDE-R	1	1/P	
115		BUSH-6-POM	2	5/P	
116		STOP-RING-6-5	2	5/P	

This Illustrated Parts Manual is to be used for part identification. Part numbers for the most often used parts are listed. To obtain parts for items that do not list an associated part number contact:

**Oki Data Technical Support at 866.654.1725**  
for specific part numbers and part ordering information



TRU-UNIT-2

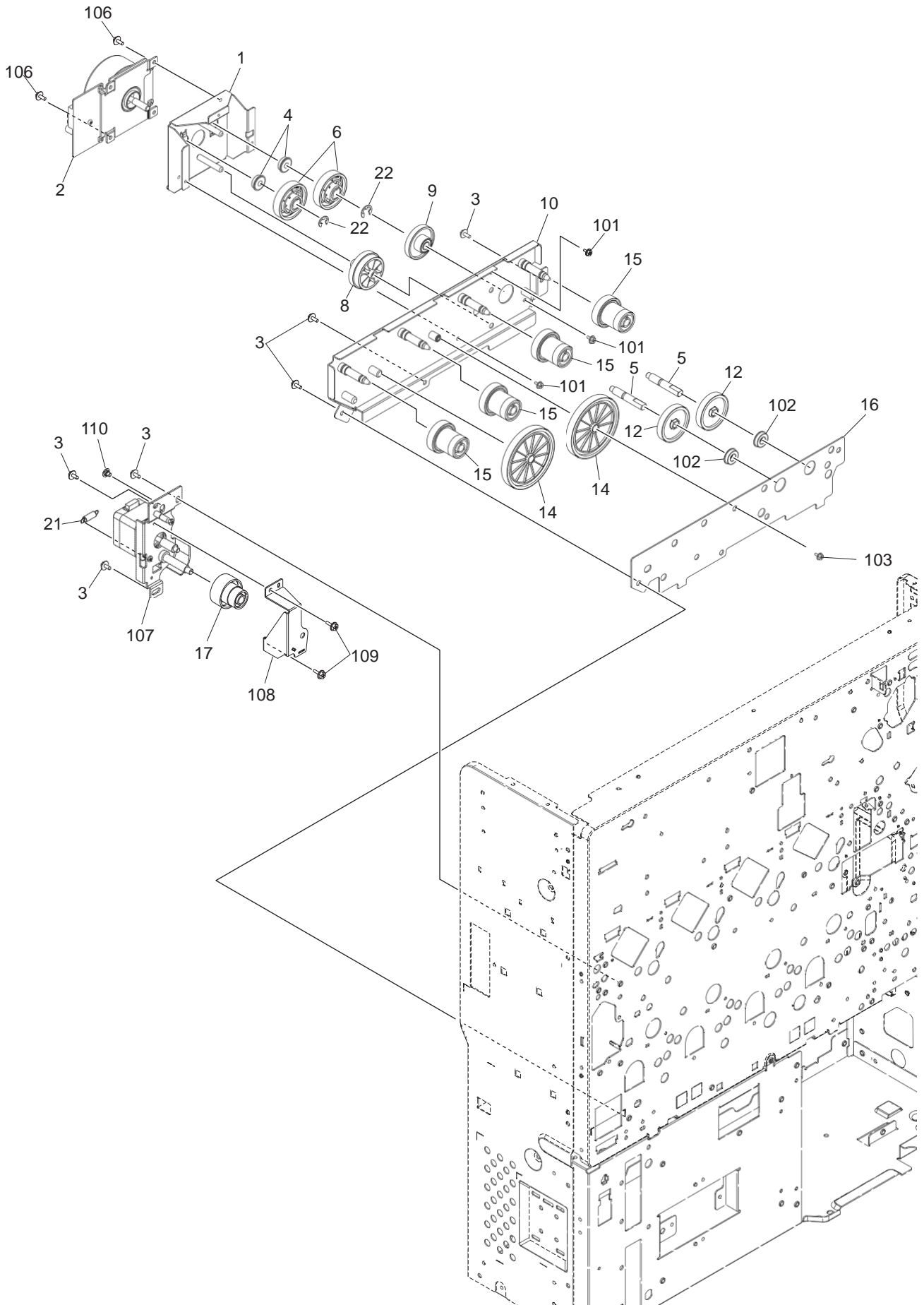


TRU-UNIT-2

ITEM No.	PART No.	PART NAME	Q'TY / PAGE	Q'TY / PACK	REMARKS
1	53367202	ROLLER-RGST-R	1	1/KP	
2		GEAR-RGST-H140	1	1/P	
3		GUIDE-IDLE-TR1	1	1/PP	
4		ROLLER-IDLA	2	1/P	
5		SHAFT-IDLE-TR1	1	1/P	
6		LVR-SEP-RELAY-F-371	1	1/P	
7		LVR-SEP-RELAY-R-371	1	1/P	
8		SPG-E-7XR9X107R15	1	1/P	
9		ASYS-BRKT-TRU-R	1	1/P	
11		ASYS-PLT-TRU-F	1	1/P	
101		P/PRL/AH7-2X12-SS	1	10/P	
102		RR/E-7-SS	3	10/P	
103		S/TPS/FHEXM/R-4X8-ZU3	2	10/P	

This Illustrated Parts Manual is to be used for part identification. Part numbers for the most often used parts are listed. To obtain parts for items that do not list an associated part number contact:

**Oki Data Technical Support at 866.654.1725**  
for specific part numbers and part ordering information



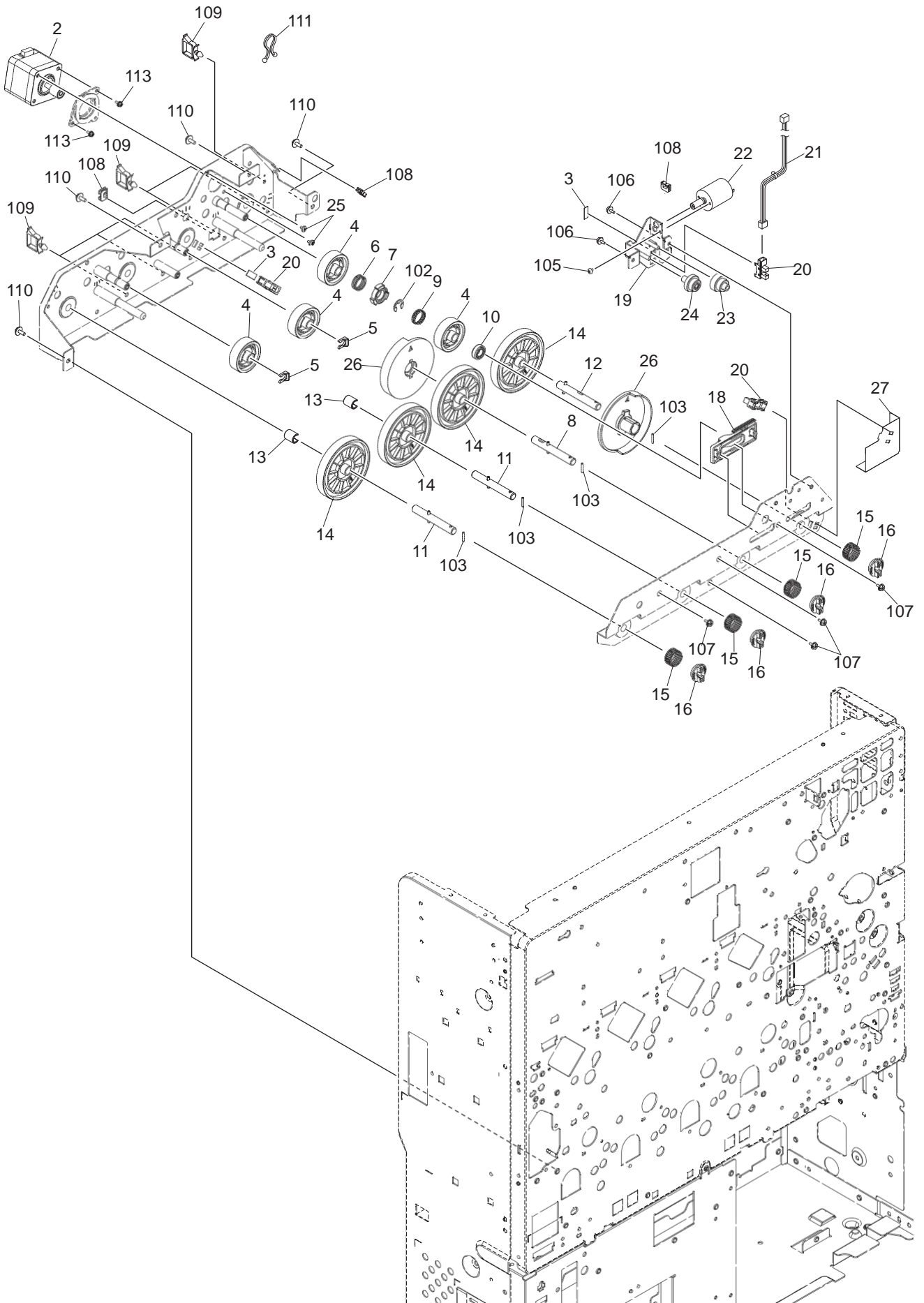
DEV\_TBU-DRIVE-ASY

ITEM No.	PART No.	PART NAME	Q'TY / PAGE	Q'TY / PACK	REMARKS
1	56527401	ASYS-BRKT-MOTR-DEV	1	1/P	
2		MOTR_D-DEV-380	1	1/C	
3		S/TPS/FHEXM/R-4X8-ZU3	6	10/P	
4		RNR-1560ZZRP0P24LY121	2	1/P	
5		SHAFT-DRIVE-DEV-EX	2	1/P	
6		GEAR-5H77-8-ONEWAY	2	1/P	
8		GEAR-5H77_5H70-6	1	1/P	
9		GEAR-5H70-8-ONEWAY-EX	1	1/P	
10		ASYS-BRKT-DRIVE-DEV-RER	1	1/P	
12		GEAR-4H94-8N	2	1/P	
14		GEAR-4H164-8N	2	1/P	
15		GEAR-4H78-6H36-8N	4	1/P	
16		BRKT-DRIVE-DEV-FRT	1	1/P	
17		GEAR-3H106_3H67-TBU-H14X	1	1/P	
21		SPG-E-DRV-TBU-H14X	1	1/P	
22		RR/E-6-SS	2	10/P	
101		S/TPD3/FHEXM-3X6-ZU3	3	10/P	
102		LNR-1680HHRPOP15LY13	2	1/P	
103		S/FHEXM-M3X6-NI	1	10/P	
106		S/TPD3/FHEXM-4X8-ZU3	2	10/P	
107		ASYB-BRKT-DRV-TBU-R-H14X	1	1/C	
108		BRKT-DRV-TBU-FRT-H14X	1	1/P	
109		S/TPD3/FHEXM-3X8-ZU3	2	10/P	
110		SCREW-M4X4-6X1R7-ZU3	1	10/P	

This Illustrated Parts Manual is to be used for part identification. Part numbers for the most often used parts are listed. To obtain parts for items that do not list an associated part number contact:

**Oki Data Technical Support at 866.654.1725**  
for specific part numbers and part ordering information

# DRUM-DRIVE-ASY



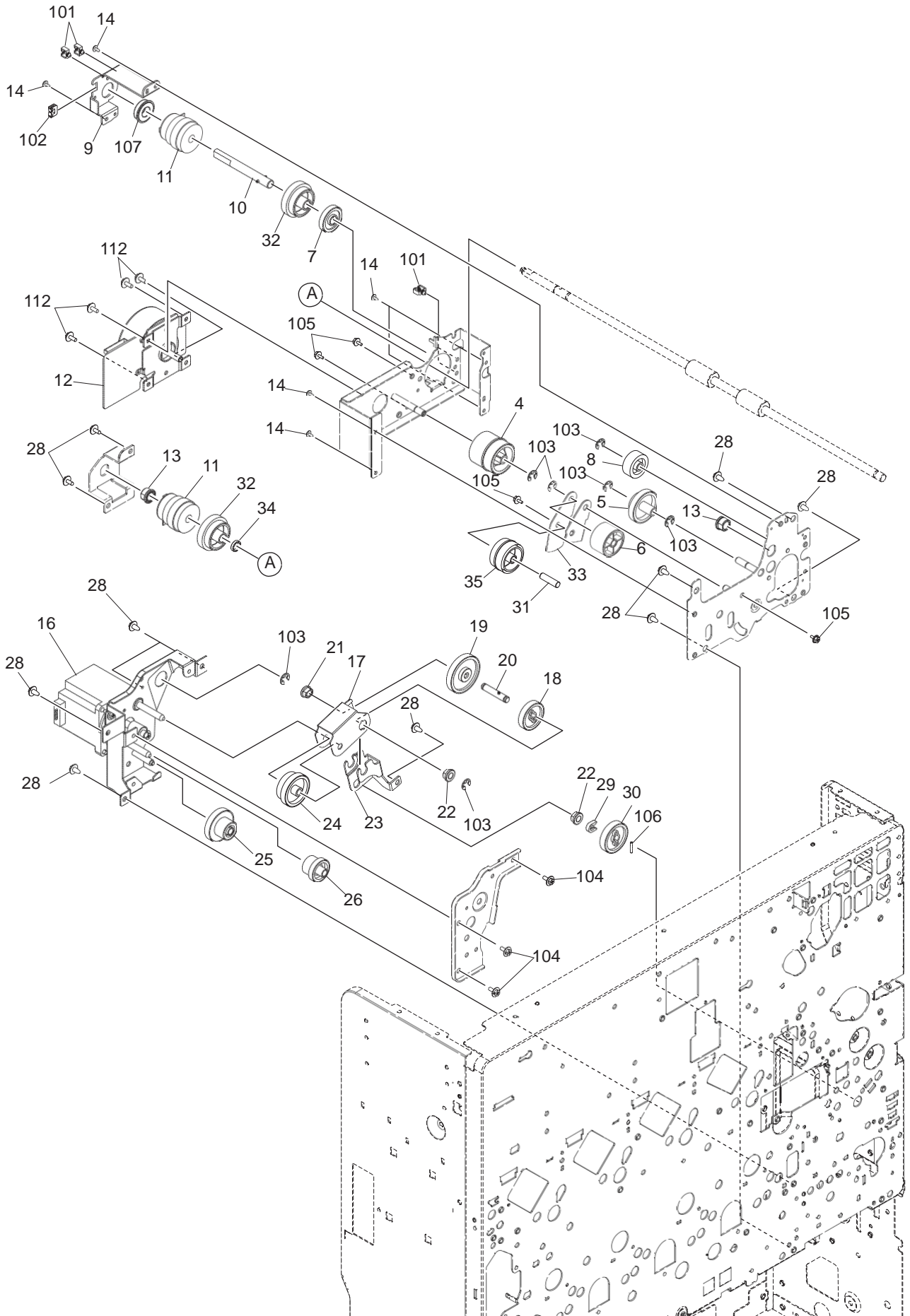
DRUM-DRIVE-ASY

ITEM No.	PART No.	PART NAME	Q'TY / PAGE	Q'TY / PACK	REMARKS
2	56527602	MOTR_S-DRUM-H14X	1	1/C	
3		MYLAR-SW-RGST-2	2	5/P	
4		GEAR-5H66-8-IDLER-DRUM	4	1/P	
5		STOP RING	2	1/P	
6		SPG-C-IDL-RER-N	1	1/P	
7			COUPL-IDL-DRUM	1	1/P
8	ASYS-SHAFT-DRV-DRUM-C-450		1	1/P	
9	SPG-C-IDL-FRT		1	1/P	
10	COLAR-IDL-DRUM		1	1/P	
11	ASYS-SHAFT-DRIVE-DRUM-YMC		2	1/P	
12		ASYS-SHAFT-DRV-DRUM-K-450	1	1/P	
13		COLAR-DRIVE-DRUM	2	1/P	
14		GEAR-5H132-8-DRUM	4	1/P	
15		SPG-C-DRIVE-DRUM	4	1/P	
16		COUPL-DRIVE-DRUM-380	4	1/P	
18	55630501	GUIDE-SEP-GEAR-IDL	1	1/P	
19		ASYS-BRKT-MOTR-SEP-IDL	1	1/P	
20		GP1A73ARJ00F	3	1/P	
21		HRNS-SNS-DRM-380	1	1/P	
22		ASYS-MOTR-SW-DRIVE-DRUM (Drum Drive)	1	1/D	
23		GEAR-5H35_5S25-6	1	1/P	
24		GEAR-5S35_5S25-6	1	1/P	
25		S/BID-M3X4-ZC3-RED	2	5/P	
26		DISK-DRIVE-DRUM	2	1/P	
27		MYLAR-COV-SNSR	1	1/C	
102		RR/E-7-SS	1	10/P	
103		P/PRL/AH7-2X12-SS	4	10/P	
105		S/PAN-M3X3-NI	1	10/P	
106		S/TPD3/FHEXM-3X6-ZU3	2	10/P	
107		S/FHEXM-M3X6-NI	4	10/P	
108		ES-0505	3	5/P	
109		LWS-1316Z	6	5/P	
110		S/TPS/FHEXM/R-4X8-ZU3	4	10/P	
111		OLS-115	1	5/P	
113		S/PAN/SWWS-M3X6-NI	2	10/P	

This Illustrated Parts Manual is to be used for part identification. Part numbers for the most often used parts are listed. To obtain parts for items that do not list an associated part number contact:

**Oki Data Technical Support at 866.654.1725**  
for specific part numbers and part ordering information

# REGIST&TR1-DRIVE-ASY



REGIST&TR1-DRIVE-ASY

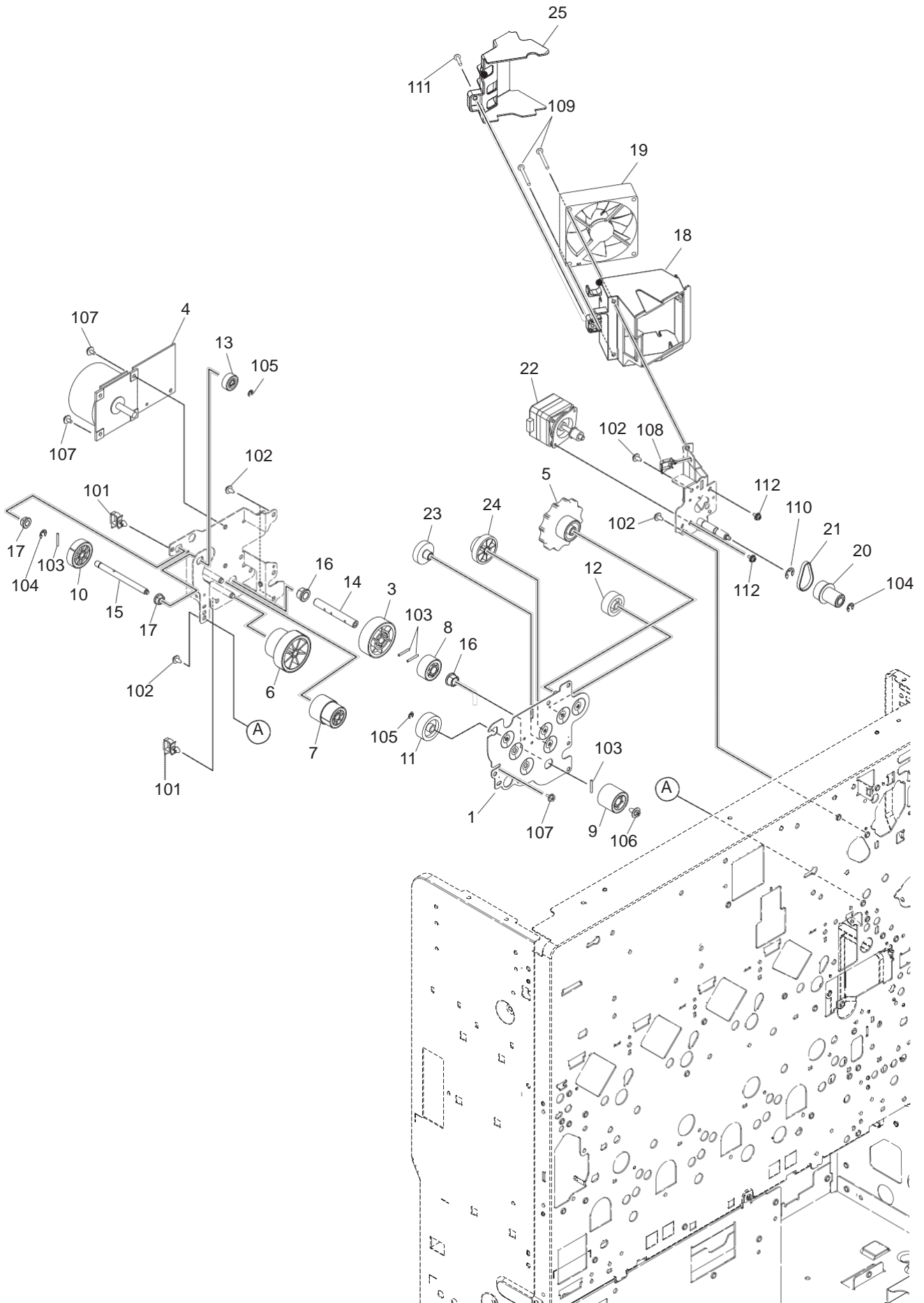
ITEM No.	PART No.	PART NAME	Q'TY / PAGE	Q'TY / PACK	REMARKS
4		GEAR-05S60-05H60-06	1	1/P	
5		GEAR-05S40-05S64-06	1	1/P	
6		GEAR-05S54-06	1	1/P	
7		GEAR-05S50-8N	1	1/P	
8		GEAR-05S46-6N	1	1/P	
9		BRKT-DRV-TR1-CL	1	1/P	
10		ASYS-SHAFT-DRV-TR1-CLT-N	1	1/P	
11	51403708	CLUTCH-G28-08D-30A	2	1/D	
12	56527502	MOTRD-FEED-430	1	1/C	
13		BUSH-8X12X8F-NU4	2	5/P	
14		SCR-M3X6BISR-NI	6	10/P	
16 A	56527603	ASYB-MOTOR-RGST-H140	1	1/C	CX3535 Only
16 B	56527403	ASYB-MOTOR-RGST	1	1/C	CX4545 Only
17		PLT-ARM-RGST	1	1/P	
18		GEAR-4H68-6	1	1/P	
19		GEAR-4H94-CLT	1	1/P	
20		ASYS-SHAFT-DRV-RGST	1	1/P	
21		BUSH-6-GCB	1	5/P	
22		BUSH-6-POM	2	5/P	
23		PLT-ARM-RGST-DRV	1	1/P	
24		GEAR-8S40-4H68-6	1	1/P	
25		GEAR-10S17_10S31-6	1	1/P	
26		GEAR-10S16_8S27-6	1	1/P	
28		S/TPS/FHEXM/R-4X8-ZU3	11	10/P	
29		STOP-RING-6-5	1	5/P	
30		GEAR-4H72-6	1	1/P	
31		STUD-PLANET-GEAR	1	1/P	
32		GEAR-05S56-08	2	1/P	
33		BRKT-PLANET-GEAR	1	1/P	
34		COLLAR-ROLL-MID-380	1	5/P	
35		GEAR-10S29-05S58-06	1	1/P	
101		MSB-1607	4	1/P	
102		ES-0505	1	5/P	
103		RR/E-5-SS	7	10/P	
104		S/TPD3/FHEXM-4X8-ZU3	3	10/P	
105		S/FHEXM-M3X6-NI	4	10/P	
106		P/PRL/AH7-2X12-SS	1	10/P	
107		LNR-1680HHRPOP15LY13	1	1/P	
112		S/TPD3/FHEXM-3X8-ZU3	4	10/P	

This Illustrated Parts Manual is to be used for part identification. Part numbers for the most often used parts are listed. To obtain parts for items that do not list an associated part number contact:

**Oki Data Technical Support at 866.654.1725**  
for specific part numbers and part ordering information



# FUSER&EXIT-DRIVE-ASY



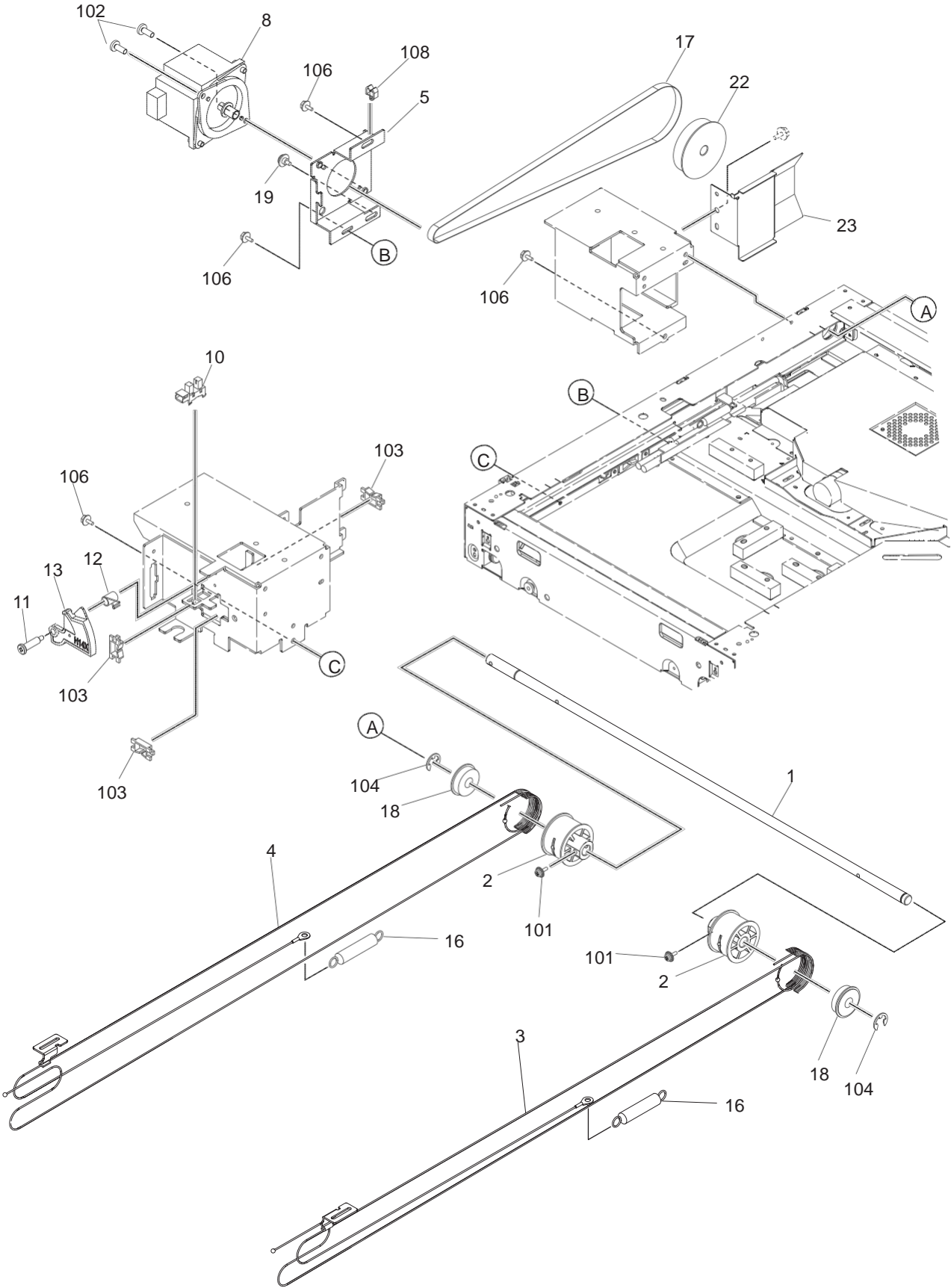
FUSER&EXIT-DRIVE-ASY

ITEM No.	PART No.	PART NAME	Q'TY / PAGE	Q'TY / PACK	REMARKS
1		ASYS-BKT-FUS-DR-F45X	1	1/P	
3		GEAR-10S40-REV	1	1/P	
4		MOTR_D-FUSER-450 (Fuser drive)	1	1/C	
5		GEAR-FUS-HAND	1	1/P	
6		GR-10S30-10S42	1	1/P	
7		GR-10S23-05H50	1	1/P	
8		GEAR-10S23-REV	1	1/P	
9		GEAR-10S23-21	1	1/P	
10		GEAR-10S29	1	1/P	
11		GEAR-10S027-06	1	1/P	
12		GEAR-10S023-06	1	1/P	
13		GEAR-10S016-06-BCL	1	1/P	
14		SFT-FUS-DRV-REV	1	1/P	
15		SHAFT-FUS-MOT	1	1/P	
16		BUSH-8X12X8F-NU4	2	5/P	
17		BUSH-6-POM	2	5/P	
18		DUCT-EXIT-FAN	1	1/P	
19		FAN-F380-80	1	1/D	
20		GEAR-10S15_PS2M37	1	1/P	
21		BLT_SY-40S2M-098	1	1/P	
22	56527604	ASYS-MOTR-EXIT-EX	1	1/C	
23		GEAR-10S25-6	1	1/P	
24		GEAR-10S32_10S19-6	1	1/P	
25		COV-DUCT-EXIT-FAN	1	1/D	
101		LWS-0711Z	2	5/P	
102		S/TPS/FHEXM/R-4X8-ZU3	5	10/P	
103		P/PRL/AH7-2X16-SS	4	10/P	
104		RR/E-5-SS	2	10/P	
105		RR/E-3-SS	2	10/P	
106		S/PAN/SWWP-M4X8-ZU3	1	10/P	
107		S/TPD3/FHEXM-3X6-ZU3	3	10/P	
108		LWS-1211Z	1	5/P	
109		S/TPS/PAN-4X32-ZU3	2	10/P	
110		RR/E-7-SS	1	10/P	
111		S/TPP/FHEXM-4X8-NI	1	10/P	
112		S/PAN/SWWP-M3X6-ZU3	2	10/P	

This Illustrated Parts Manual is to be used for part identification. Part numbers for the most often used parts are listed. To obtain parts for items that do not list an associated part number contact:

**Oki Data Technical Support at 866.654.1725**  
for specific part numbers and part ordering information

OPTICAL-DRIVE-ASY



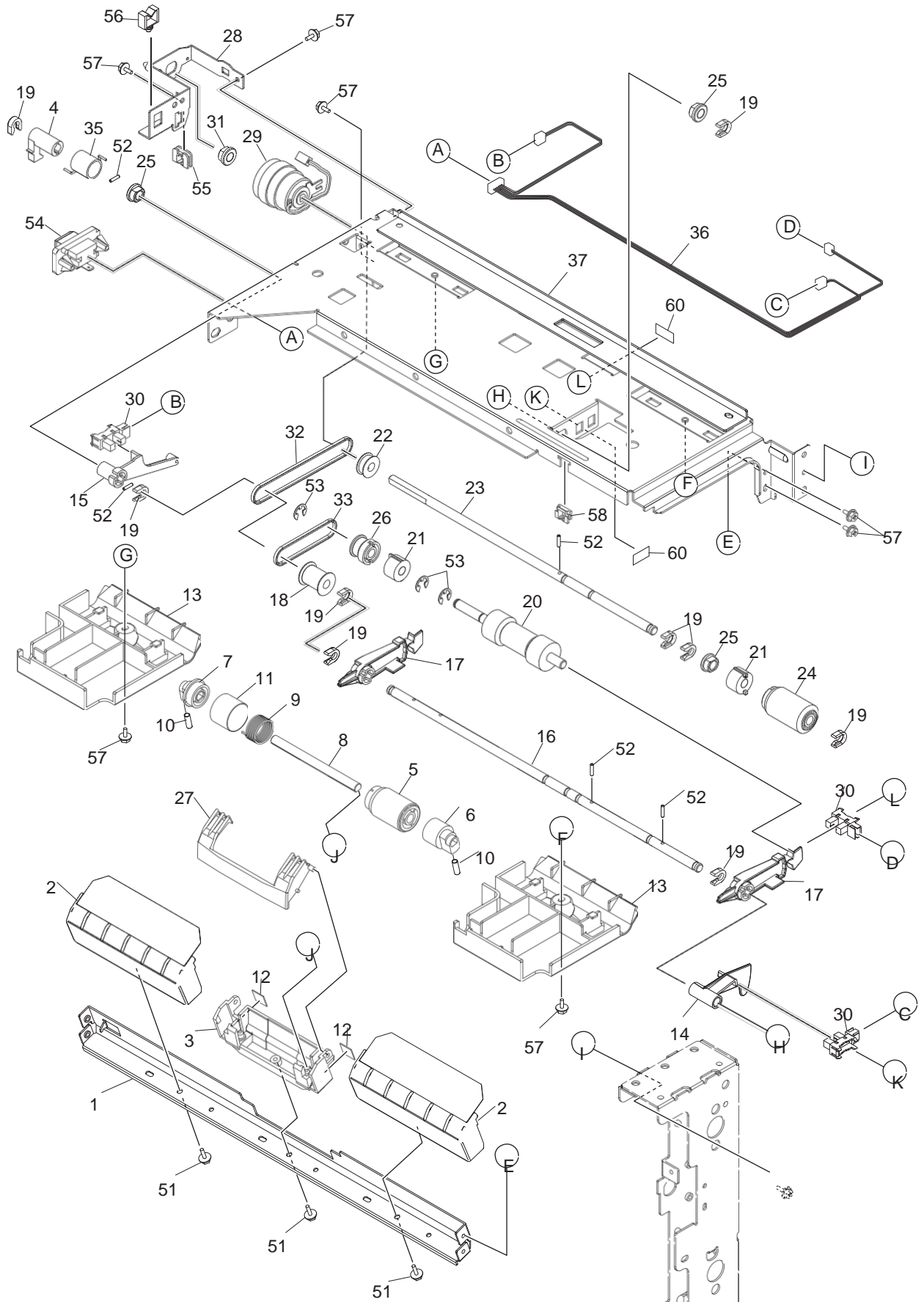
## OPTICAL-DRIVE-ASY

ITEM No.	PART No.	PART NAME	Q'TY / PAGE	Q'TY / PACK	REMARKS
1		SHAFT-DRV-SCAN	1	1/P	
2		PLY-WIRE-SCAN-430	2	1/P	
3		ASYS-WIR_RP-SCAN-FRT	1	1/P	
4		ASYS-WIR_RP-SCAN-RER	1	1/P	
5		BRKT-MOTR-SCAN-410	1	1/P	
8	56527605	MOTR_S-SCN-140	1	1/C	
10		GP1A73ARJ00 (Sensor Photo)	1	1/P	
11		SHAFT-OPN-SNS	1	1/P	
12		SPR-OPEN-SNS	1	1/P	
13		LVR-OPEN-SNS-H140	1	1/P	
16		SPE-WIRE-TENS	2	1/P	
17		BLT_SY-555-STS1.5-6	1	1/P	
18		608ZNR2	2	1/P	
19		SCREW-ACTR-TRU	1	10/P	
22		PULLEY-SCAN-450	1	1/P	
23		COVER-PILLEY	1	1/P	
101		S/PAN/SWWP-M3X8-NI	2	10/P	
102		S/TPS/BID-4X8-ZU3	2	10/P	
103		ESC-0912	3	10/P	
104		RR/E-7-SS	2	10/P	
106		S/TPD3/FHEXM-3X8-ZU3	4	10/P	
108		UAMS-05-2	1	5/P	

This Illustrated Parts Manual is to be used for part identification. Part numbers for the most often used parts are listed. To obtain parts for items that do not list an associated part number contact:

**Oki Data Technical Support at 866.654.1725**  
for specific part numbers and part ordering information

# FEEDER-1-ASY



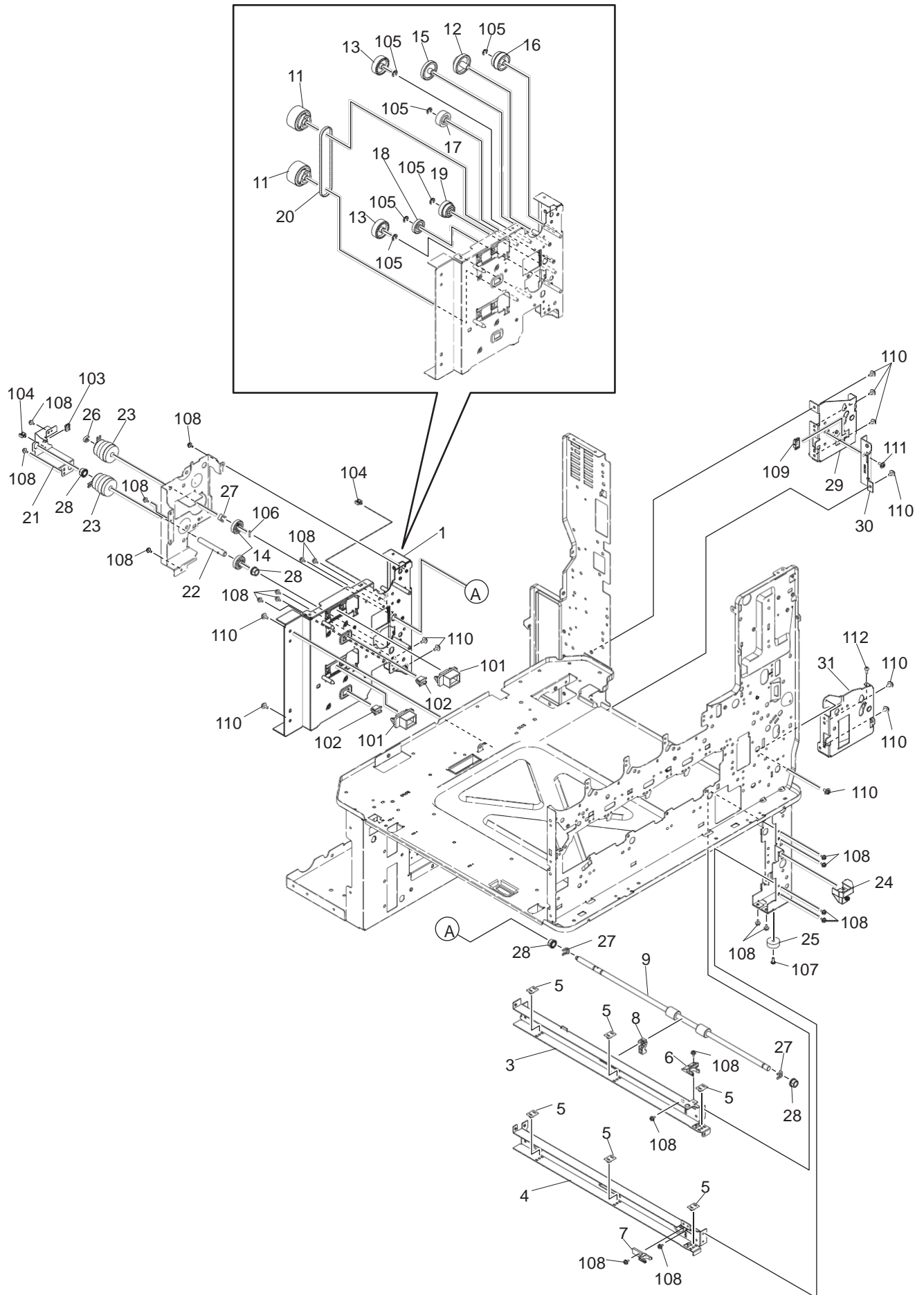
FEEDER-1-ASY

ITEM No.	PART No.	PART NAME	Q'TY / PAGE	Q'TY / PACK	REMARKS	
1	53366901	BRKT-ROL-SEP	1	1/P		
2		ASYS-GUIDE-P-SEP-N	2	1/KP		
3		HLDR-SEP-ROL-DM	1	1/P		
4		LEVER-RLR-PICK	1	1/P		
5		53363301	ASYS-ROLL-SPT	1	1/P	
6		ARBOR-SPT-F (Clutch)	1	1/P		
7		ARBOR-SPT-R (Clutch)	1	1/P		
8		SFT-SEP-AT(Clutch)	1	1/P		
9		SPR-1.0-15.60RF (Clutch)	1	5/P		
10		SPC055-045-01525	2	5/P		
11	53014601	COV-SPE/ARBOR(Clutch)	1	1/P		
12		CHIP-HLDR-SEP	2	1/P		
13		GUIDE-P-FEED	2	1/P		
14		ACTR-EMPTY-PPR	1	1/P		
15		ARM-FEED-UNIT	1	1/P		
16	53367102	SFT-DRV-PICK	1	1/P		
17		ARM-RLR-PICK-380	2	1/P		
18		PLY/T-PICK-20	1	1/P		
19		STOP-RING-6-5	9	5/P		
20		ROLLER-PICK-N	1	1/P		
21	51403401	CLUTCH-6-L	2	1/P		
22		PLY-20-2M	1	1/P		
23		SHAFT-ROL-FEED-380	1	1/P		
24		53363801	K-ROLL-FEED	1	1/P	
25		BUSH-6-POM	3	5/P		
26	53630901	PLY/T-20-ROL-2G	1	1/P		
27		LEV-ROL-SEP-DM	1	1/P		
28		ASYS-BRKT-CLT-380	1	1/P		
29	51403707	CLUTCH-G28-06D-30AK	1	1/D		
30	55630501	GP1A73ARJ00F(Sensor Photo)	3	1/P		
31		BUSH-6-NU4	1	1/P		
32		BLT/T-194-2GT-2	1	1/P		
33		BLT/T-124-2GT-2	1	1/P		
35		SPR-LVR-PICK	1	1/P		
36		HRNS-PFP-FED-380	1	1/P		
37			ASYS-BRKT-FEED-UNIT	1	1/PP	
51	S/TPP/FHEXM-3X8-NI		3	10/P		
52	P/PRL/AH7-2X8-SS		5	10/P		
53	RR/E-5-SS		3	10/P		
54	54702-1219		1	5/P		
55		ES-0505	1	5/P		
56		MSB-1207	1	5/P		
57		S/TPD3/FHEXM-3X6-ZU3	7	10/P		
58		EDS-0607M	1	5/P		
60		MYLAR-SW-RGST-2	2	5/P		

This Illustrated Parts Manual is to be used for part identification. Part numbers for the most often used parts are listed. To obtain parts for items that do not list an associated part number contact:

**Oki Data Technical Support at 866.654.1725**  
for specific part numbers and part ordering information

# FEEDER-2-ASY



FEEDER-2-ASY

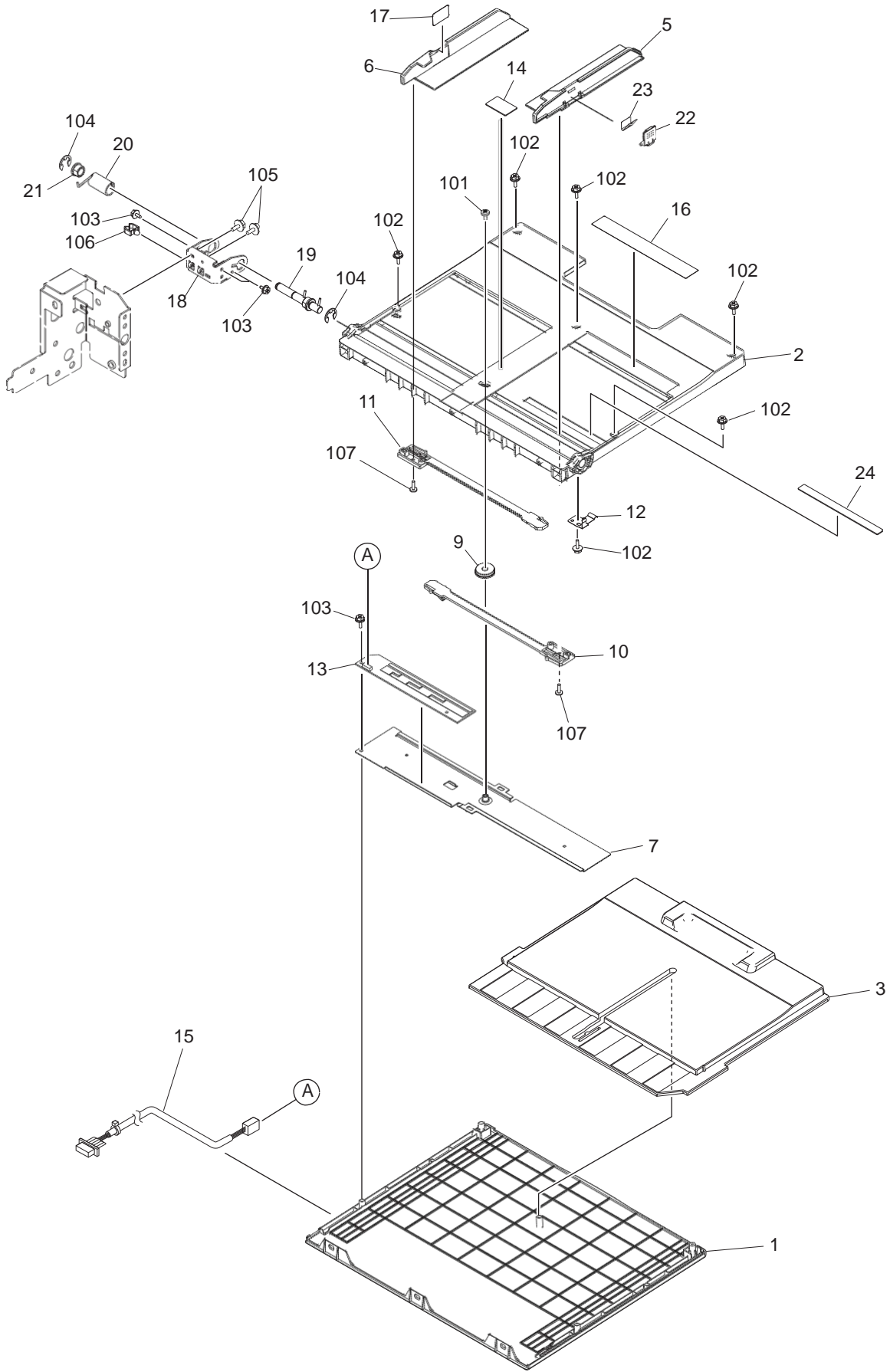
ITEM No.	PART No.	PART NAME	Q'TY / PAGE	Q'TY / PACK	REMARKS
1		ASYS-FRM-FEEDER-R	1	1/P	
3		RAIL-CST-RGT-380	1	1/P	
4		RAIL-CSSTT-RGT	1	1/P	
5		SLIDER-CST	6	1/P	
6		CATCH-CST-380	1	1/P	
7		CATCH-CST-320	1	1/P	
8		BUSH-ROL-FEEDER	1	1/P	
9		ROLLER-FEEDER-380	1	1/KP	
11		GEAR-10S35_P3GT25-6	2	1/P	
12		GEAR-10S20_10S32-6	1	1/P	
13		GEAR-10S29-6	2	1/P	
14		GEAR-10S21-8	2	1/P	
15		GEAR-10S31-6	1	1/P	
16		GEAR-10S25_10S27-6	1	1/P	
17		GEAR-10S023-06	1	1/P	
18		GEAR-10S22-6-TR2	1	1/P	
19		GEAR-10S20_10S25-6	1	1/P	
20		BLT/T-297-3GT-4	1	1/P	
21		BRKT-DRV-FEEDER-CL	1	1/P	
22		ASYS-SHAFT-DRV-TR1-CL	1	1/P	
23	51403708	CLUTCH-G28-08D-30A	2	1/D	
24		COVER-RAIL-CST	1	1/P	
25		FOOT-MAIN-AT	1	1/P	
26		STOP-RING-6-5	1	5/P	
27		STOP RING	3	1/P	
28		BUSH-8X12X8F-NU4	4	5/P	
29		ASYS-BRKT-ADU-R-450	1	1/P	
30		BRKT-HOLD-BYP-R	1	1/P	
31		ASYS-BRKT-ADU-FRT	1	1/P	
101		55533-1219	2	5/P	
102		CS1A-B2CA	2	1/D	
103		ES-0505	1	5/P	
104		MSB-1207	2	5/P	
105		RR/E-5-SS	6	10/P	
106		P/PRL/AH7-2X12-SS	1	10/P	
107		S/TPS/BID-4X8-ZU3	1	10/P	
108		S/TPD3/FHEXM-3X6-ZU3	20	10/P	
109		ESC-0912	1	10/P	
110		S/TPS/FHEXM/R-4X8-ZU3	11	10/P	
111		S/TPD3/FHEXM-4X8-ZU3	1	10/P	
112		S/TPS/BID-3X8-ZU3	1	10/P	

This Illustrated Parts Manual is to be used for part identification. Part numbers for the most often used parts are listed. To obtain parts for items that do not list an associated part number contact:

**Oki Data Technical Support at 866.654.1725**  
for specific part numbers and part ordering information



# BYPASS-ASY



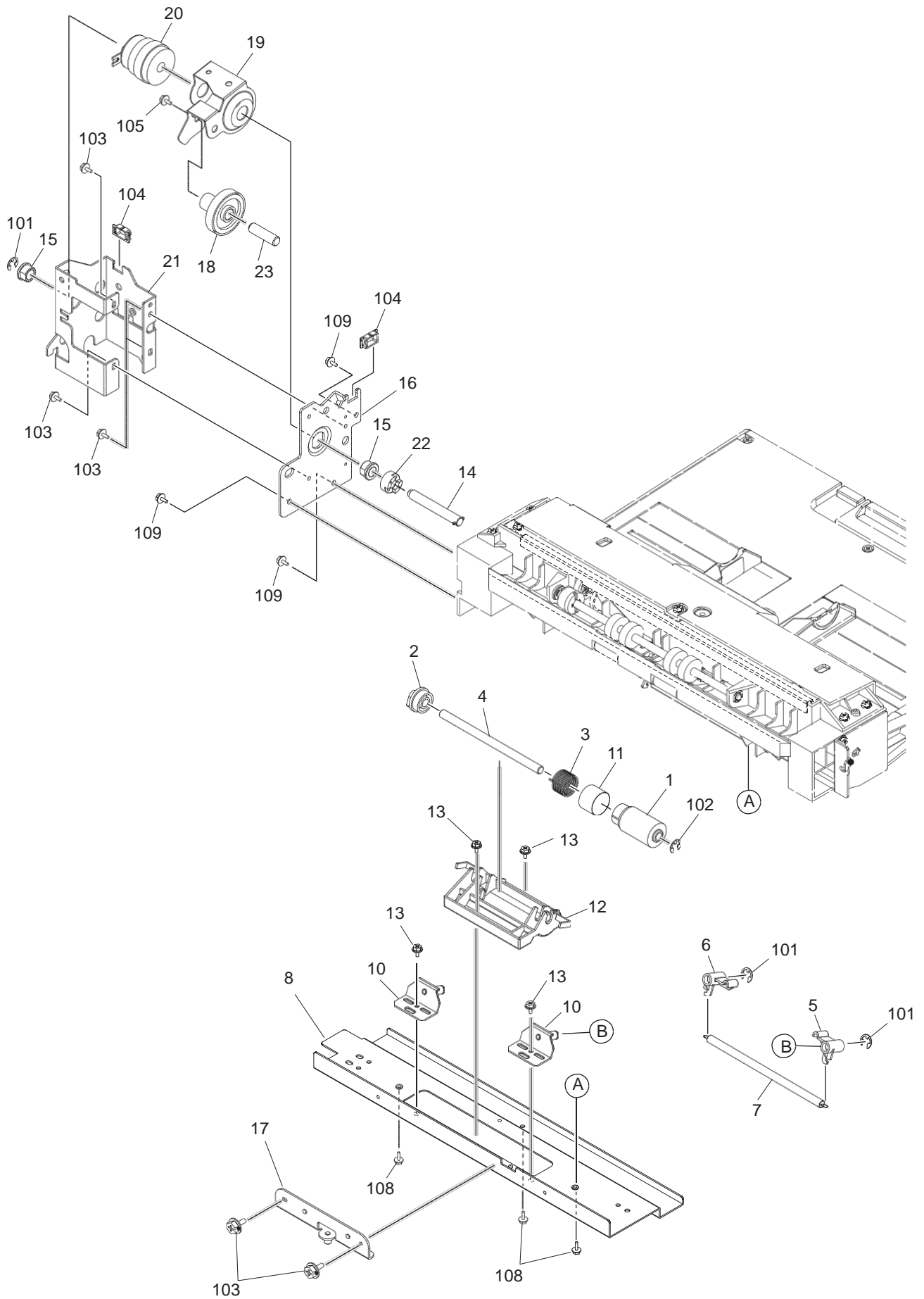
BYPASS-ASY

ITEM No.	PART No.	PART NAME	Q'TY / PAGE	Q'TY / PACK	REMARKS
1		TRAY-BYP-LOW-H14X	1	1/PP	
2		TRAY-BYP-UP-H14X	1	1/PP	
3		TRAY-BYP-M-H14X	1	1/PP	
5		GUIDE-TRAY-FRT-H14X	1	1/D	
6		GUIDE-TRAY-RER-H14X	1	1/D	
7		ASYS-PLATE-PINION-380	1	1/D	
9		PINION-18-395	1	1/P	
10		ASYS-RACK-BYPASS-380	1	1/C	
11		RACK-BYPASS-380	1	1/D	
12		SPL-PLATE-PINION	1	1/P	
13	55120502	PWA-F-SFB-380	1	1/C	
14		PAD-BRAKE	1	5/P	
15		HRNS-SFB-SIZE-360	1	1/P	
16 A		LBL-TRAY-E-H14X	1	1/KP	
16 B		LBL-TRAY-U-H14X	1	1/KP	
17		LBL-HIGH-TRAY-H14X	1	1/P	
18		ASYS-BRKT-BYP-R-380	1	1/P	
19		ASYS-SFT-TRAY-BYPS-R	1	1/P	
20		SPA-HINGE-BYPASS	1	1/P	
21		BUSH-8	1	5/P	
22		LEVER-GUIDE-MINT	1	1/P	
23		SPG-GUIDE-F	1	1/P	
24		SHEET-PAD-GUIDE-F-380	1	1/KP	
101		S/BID-M3X6-NI	1	10/P	
102		S/TPP/FHEXM-3X8-NI	6	10/P	
103		S/TPS/FHEXM/R-3X6-ZU3	4	10/P	
104		RR/E-7-SS	2	10/P	
105		S/PAN/SWWP-M3X8-NI	2	10/P	
106		UAMS-07-0	1	10/P	
107		S/TPP/PAN-3X6-NI	2	10/P	

This Illustrated Parts Manual is to be used for part identification. Part numbers for the most often used parts are listed. To obtain parts for items that do not list an associated part number contact:

**Oki Data Technical Support at 866.654.1725**  
for specific part numbers and part ordering information

# BYPASS-FEEDER-1-ASY



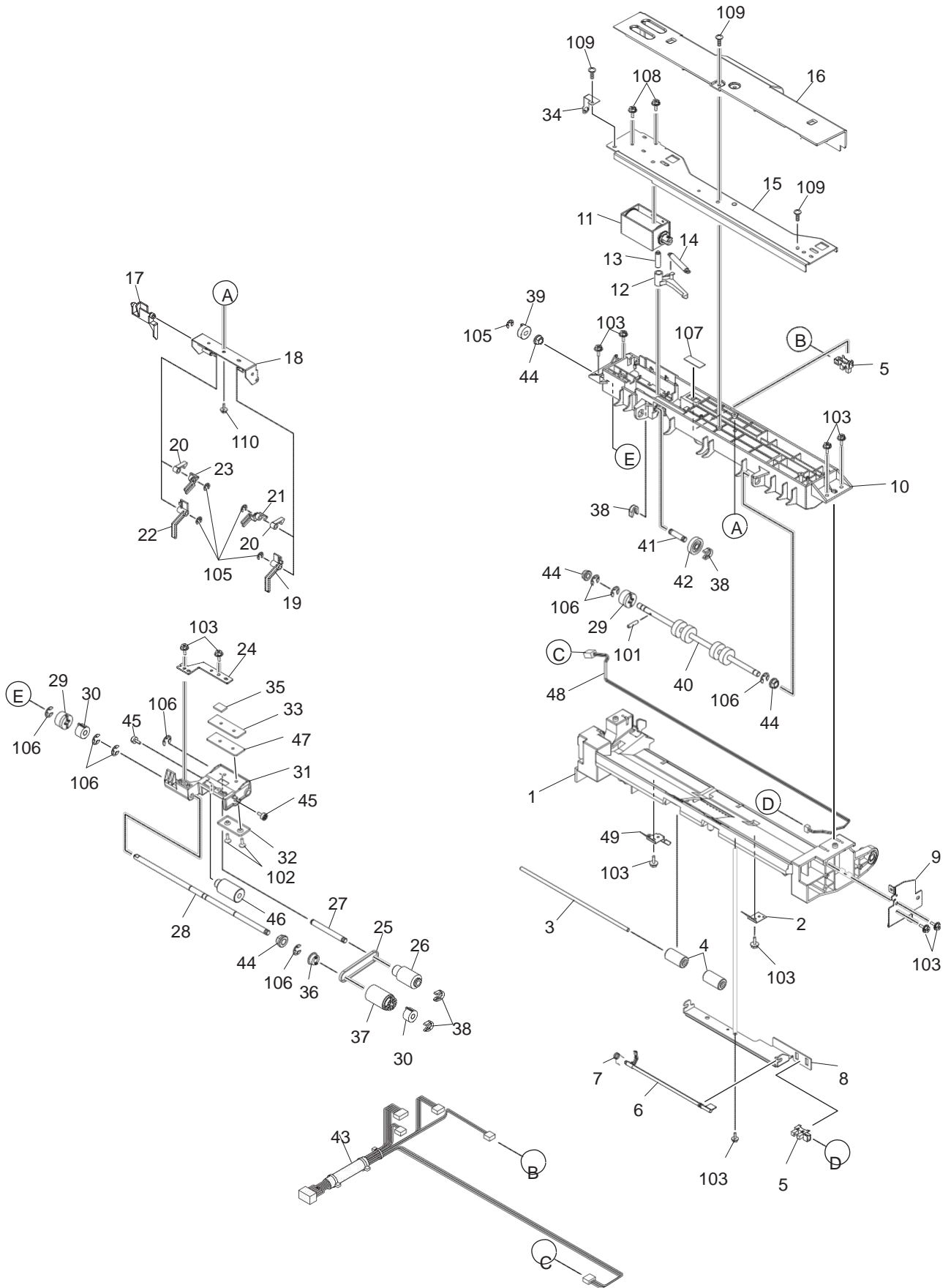
BYPASS-FEEDER-1-ASY

ITEM No.	PART No.	PART NAME	Q'TY / PAGE	Q'TY / PACK	REMARKS
1	53363701	ASYS-ROLL-SPT-L30	1	1/P	
2		ARBOR-SPT-BYP (Clutch)	1	1/P	
3		SPR-1.0-15.65-13L (Clutch)	1	1/P	
4		SHAFT-ROL-SPT (Clutch)	1	1/P	
5		LEVER-SPT-F	1	1/P	
6		LEVER-SPT-R	1	1/P	
7		SPG-E-6XR6X91R7R	1	1/P	
8		STAY-SPT-BYP-350	1	1/P	
10		ASYS-BRKT-LVR-SPT	2	1/P	
11		COVER-SPE-ARBOR-17(Clutch)	1	1/P	
12		HOLDER-ROL-SPT-BYP(Roller holder)	1	1/D	
13		SCR-M3X6BISR-NI	4	10/P	
14		ASYS-SHAFT-DRV-BYP	1	1/P	
15		BUSH-8X12X8F-NU4	2	5/P	
16		PLATE-DRIVE-BYP	1	1/P	
17	51403708	ASYS-PLATE-BYP-F380	1	1/P	
18		GEAR-10S23-6	1	1/P	
19		BRKT-DRV-BYP-F380	1	1/P	
20		CLUTCH-G28-08D-30A	1	1/D	
21		BRKT-DRIVE-BYP-RER	1	1/P	
22		CPG-DRV-BYP-350	1	1/P	
23		STUD-DRV-BYP-F380	1	1/P	
101		RR/E-5-SS RR/E-4-SS	3	10/P	
102		S/TPS/FHEXM/R-3X8-ZU3	1	10/P	
103			5	10/P	
104		ES-0505	2	5/P	
105		S/FHEXM-M3X6-NI	1	10/P	
108		S/TPP/BID-3X8-NI	3	10/P	
109		S/TPP/FHEXM-3X8-NI	3	10/P	

This Illustrated Parts Manual is to be used for part identification. Part numbers for the most often used parts are listed. To obtain parts for items that do not list an associated part number contact:

**Oki Data Technical Support at 866.654.1725**  
for specific part numbers and part ordering information

# BYPASS-FEEDER-2-ASY



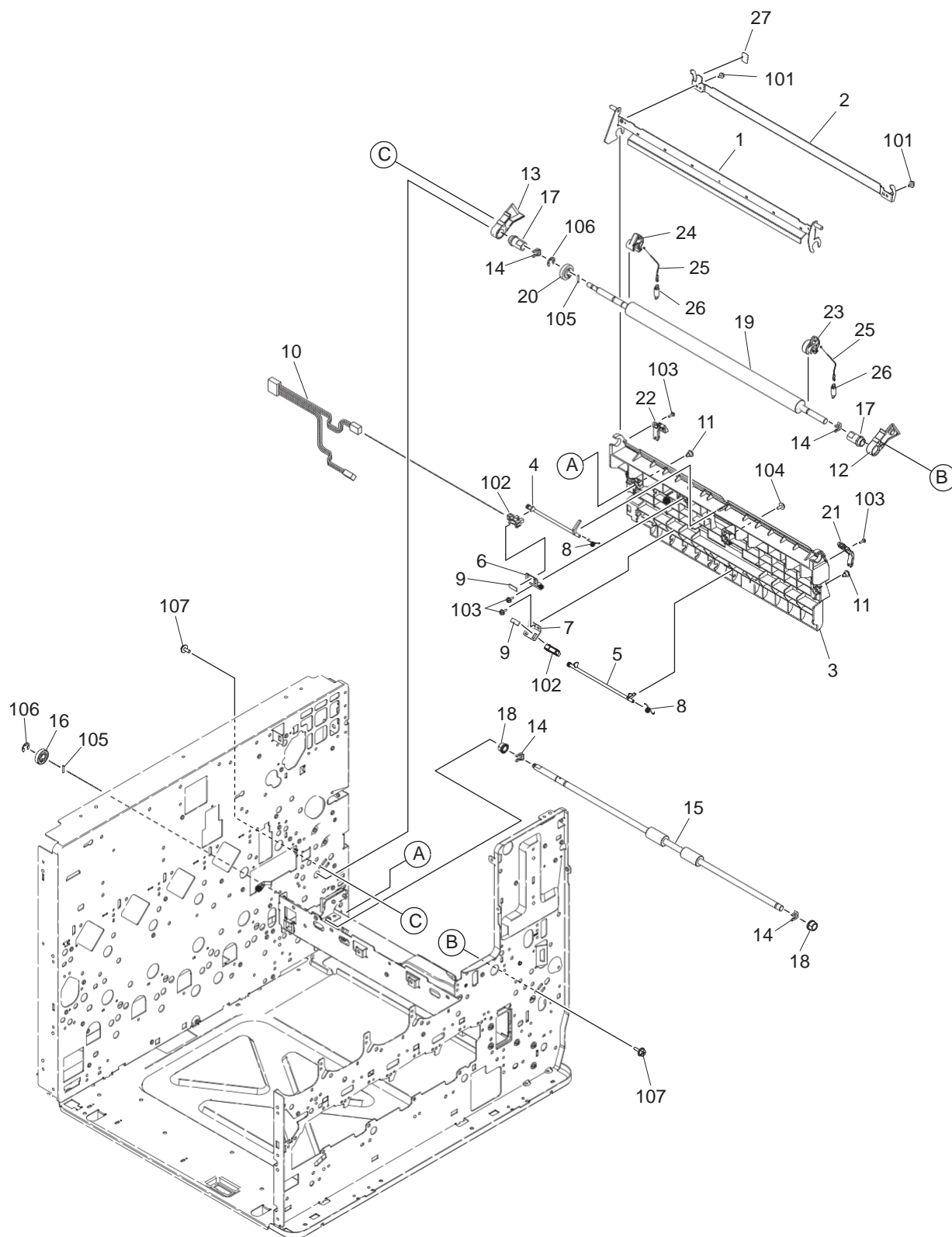
BYPASS-FEEDER-2-ASY

ITEM No.	PART No.	PART NAME	Q'TY / PAGE	Q'TY / PACK	REMARKS
1		ASYS-FRM-BYPASS-H14XD	1	1/PP	
2		SPL-IDLR-TR-BYPS-N SHAFT-IDLR-TR-	1	1/P	
3		BYPS	1	1/P	
4		IDLER-TR-BYPASS-K	2	1/P	
5	55630501	GP1A73ARJ00F(Sensor)	2	1/P	
6		ACTUATOR-BYP	1	1/P	
7		SPG-T-SNSR-LOW-T	1	1/P	
8		BRKT-ACT-BYP	1	1/P	
9		ASYS-BRKT-FRM-BYPS-FRT	1	1/P	
10		GUIDE-BYPASS-U	1	1/PP	
11		SOL-SFB-340	1	1/D	
12		LEVER-PICK	1	1/P	
13		STUD-LVR-PIC-BP	1	1/P	
14		SPG-E-6R5XR7X28R5L	1	1/P	
15		STAY-BYPASS-U	1	1/P	
16		ASYS-COVER-BYPASS-H14XT	1	1/PP	
17		ACTR-EMP-SW-BYP	1	1/P	
18		ASYS-BRKT-STOPPER	1	1/P	
19		STPR-BYP-F-350	1	1/P	
20		ARM-STOPPER	2	5/P	
21		LEVER-STOPPER-F	1	1/P	
22		STPR-BYP-R-350	1	1/P	
23		LEVER-STOPPER-R	1	1/P	
24		PLATE-ARM-PICK	1	1/P	
25		BLT-SY-138-2GT-2.8	1	1/P	
26	53363601	K-ROLL-PICK-BYP	1	1/P	
27		SFT-ROL-PIC-BYP-350	1	1/P	
28		SHAFT-ROL-FEED-BYPS	1	1/P	
29		GEAR-06S-027-06	2	1/P	
30	51403401	CLUTCH-6-L	2	1/P	
31		ARM-PICK-350	1	1/P	
32		WEIGHT-PICK-BYP-LOW	1	1/P	
33		WEIGHT-PICK-BYP-UP	1	1/P	
34		SPL-ROL-FEED-BYP	1	1/P	
35		CUSHION-PAD	1	5/P	
36		PLY/T-2GT020-06	1	1/P	
37	53363501	K-RLR-FEED-SFB	1	1/P	
38		STOP-RING-6-5	4	5/P	
39		CPG-DRVN-BYP-350	1	1/P	
40		ROLLER-TR-BYPASS-18.5	1	1/KP	
41		STUD-G032-BYPS	1	1/P	
42		GEAR-06S-032-06	1	1/P	
43		HRNS-SFB-380	1	1/P	
44		BUSH-6-NU4	4	1/P	
45		SCREW-WEIGHT-3*6	2	5/P	
46		WEIGHT-PICK-BYP-T	1	1/P	
47		WEIGHT-PICK-BYP-MID	1	1/P	
48		HRNS-SFB-PIS-360	1	1/P	
49		SPL-IDLR-TR-BYP-R	1	1/C	
101		P/PRL/AH7-2X8-SS	1	10/P	
102		S/CTS-M3X8-NI	2	10/P	
103		S/TPP/FHEXM-3X8-NI	11	10/P	
105		RR/E-3-SS	5	10/P	
106		RR/E-5-SS	8	10/P	
107		MYLAR-SW-RGST-2	1	5/P	
108		S/FHEXM-M3X6-NI	2	10/P	
109		S/TPP/BID-3X8-NI	3	10/P	
110		S/TPP/PAN-3X6-NI	1	10/P	

This Illustrated Parts Manual is to be used for part identification. Part numbers for the most often used parts are listed. To obtain parts for items that do not list an associated part number contact:

**Oki Data Technical Support at 866.654.1725**  
for specific part numbers and part ordering information

# ALIGNING-ASY



## ALIGNING-ASY

ITEM No.	PART No.	PART NAME	Q'TY / PAGE	Q'TY / PACK	REMARKS
1		ASYS-GUIDE-MID-L	1	1/PP	
2		GUIDE-MID-R	1	1/P	
3		ASYS-GUIDE-RGST-L-380	1	1/PP	
4		ACTR-RGST-380	1	1/P	
5		ACTR-MID-380	1	1/P	
6		HLDR-REG-SENSOR	1	1/P	
7		BRKT-SENS-MID	1	1/P	
8		SPG-ACT-380	2	1/P	
9		MYLAR-SW-RGST-2	2	5/P	
10		HRNS-FEED1-380	1	1/P	
11		SCREW-LOCK-ARM	2	5/P	
12		HLDR-ROL-RGST-F-AL	1	1/P	
13		HLDR-ROL-RGST-R-AL	1	1/P	
14		STOP RING	4	1/P	
15		RLR-MID-H14X	1	1/KP	
16		GEAR-05S40-8N	1	1/P	
17		BUSH-ROL-RGST-L	2	5/P	
18		BUSH-8X12X8F-NU4	2	5/P	
19		ROLLER-RGST-L-H140-0.05	1	1/KP	
20		GEAR-RGST-H140	1	1/P	
21		GUIDE-RAIL-WIRE-F	1	1/P	
22		GUIDE-RAIL-WIRE-R	1	1/P	
23		CAM-RGST-STOP-F	1	1/P	
24		CAM-RGST-STOP-R	1	1/P	
25		WIRE-CAM-RGST	2	1/P	
26		SPG-E-CAM-RGST	2	1/P	
27		LBL-GUIDE-MID	1	1/P	
101	55630501	S/PAN/SWWP-M3X6-ZU3	2	10/P	
102		GP1A73ARJ00F	2	1/P	
103		S/TPP/BID-3X8-NI	4	10/P	
104		S/TPS/FHEXM/R-4X8-ZU3	1	10/P	
105		P/PRL/AH7-2X12-SS	2	10/P	
106		RR/E-7-SS	2	10/P	
107		S/FHEXM-M4X6-NI	2	10/P	

This Illustrated Parts Manual is to be used for part identification. Part numbers for the most often used parts are listed. To obtain parts for items that do not list an associated part number contact:

**Oki Data Technical Support at 866.654.1725**  
for specific part numbers and part ordering information





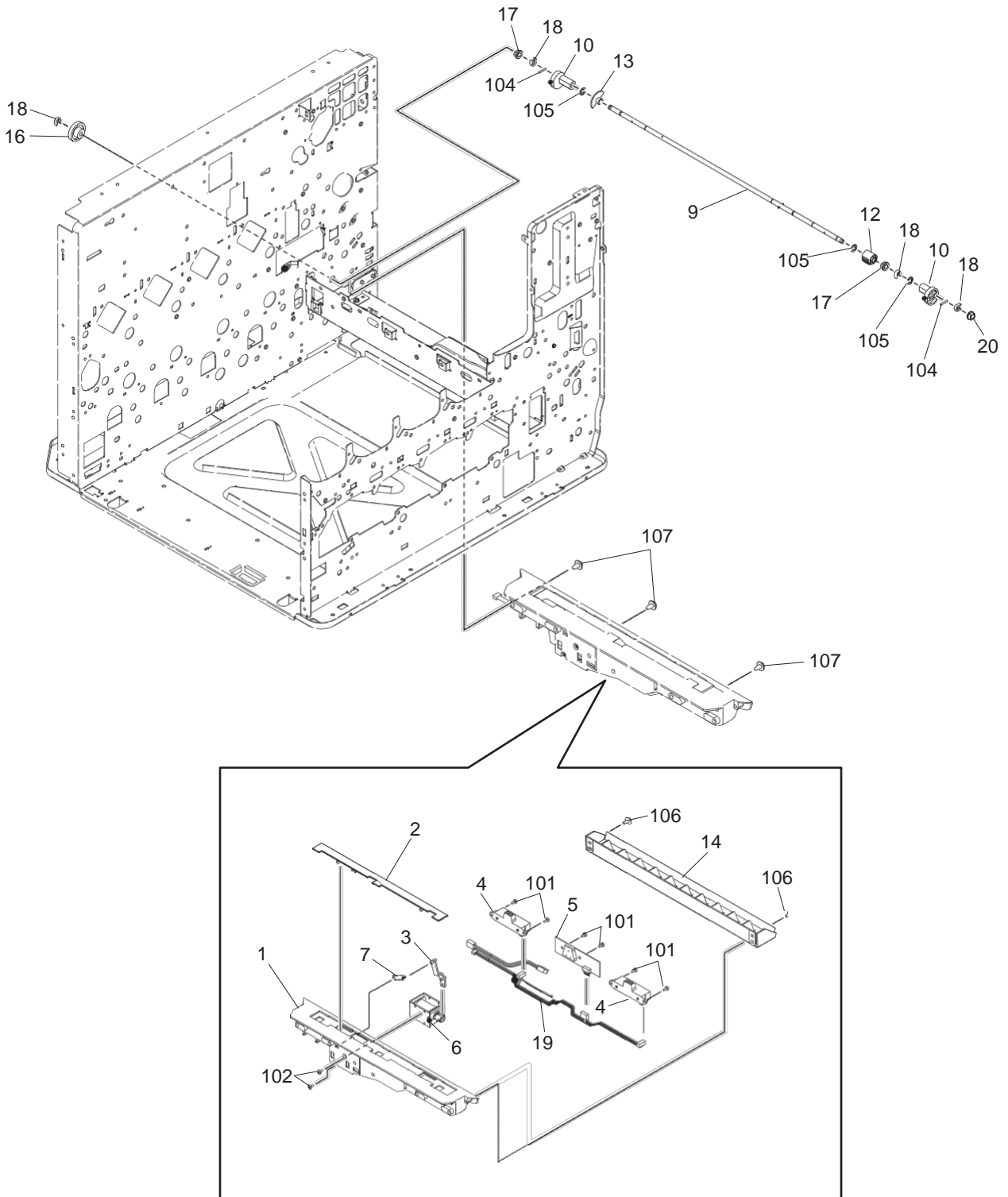
COV&GUIDE-FEED-ASY

ITEM No.	PART No.	PART NAME	Q'TY / PAGE	Q'TY / PACK	REMARKS
1		ASYS-GUIDE-FEEDER-LEFT	1	1/PP	
2		GUIDE-FEEDER-RIGHT-UP	1	1/P	
3		GUIDE-FEED-BYPASS	1	1/PP	
4		ACTR-SNSR-FED-LOW	1	1/P	
5		SPG-T-SNSR-LOW-350	1	1/P	
6		MYLAR-SW-RGST-2	1	5/P	
7		HRNS-FEED2-380	1	1/P	
8		GUIDE-COV-FED-L_DVD	1	1/PP	
9		KNOB-COVER-FD_DV	1	1/P	
10		SHAFT-FEED-LOW-350	1	1/P	
11		ROLLER-IDLA	2	1/P	
12		BUSH-FEED-IDL	2	5/P	
13		SPG-C-8R2XR9X15R5	2	5/P	
14		ASYS-BASE-HOOK-F380	1	1/P	
15		HOOK-AK	1	1/P	
16		SPG-E-COVER-FEED	1	1/P	
17		GUIDE-OPEN-L	1	1/PP	
18		STOPPER-COV-FED	1	1/P	
19		GUIDE-HOOK-COVER-FEED	1	1/P	
101	55630501	GP1A73ARJ00F	1	1/P	
102		CS1A-B2CA	1	1/D	
103		S/TPP/FHEXM-3X8-NI	2	10/P	
104		S/TPS/FHEXM/R-4X8-ZU3	3	10/P	
105		RR/E-5-SS	3	10/P	
106		S/TPP/FHEXM-4X12-NI	2	10/P	
107		S/TPP/BRZ-4X8-NI	2	10/P	

This Illustrated Parts Manual is to be used for part identification. Part numbers for the most often used parts are listed. To obtain parts for items that do not list an associated part number contact:

**Oki Data Technical Support at 866.654.1725**  
for specific part numbers and part ordering information

# LIFT-TRU&SNR-POS-ASY



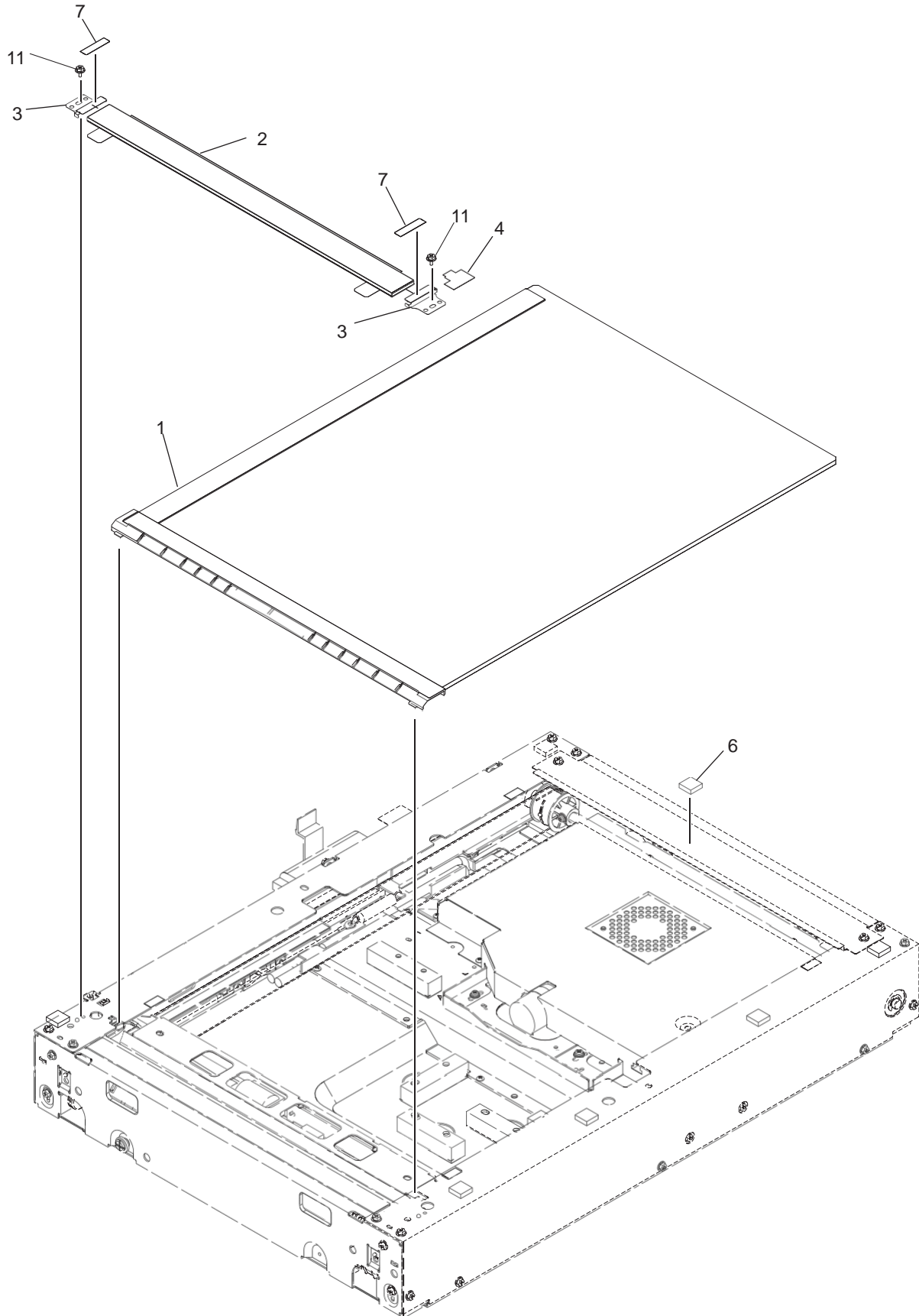
## LIFT-TRU&amp;SNR-POS-ASY

ITEM No.	PART No.	PART NAME	Q'TY / PAGE	Q'TY / PACK	REMARKS
1		ASYS-SNR-BASE-IMG-POS	1	1/PP	
2		SHUT-PL-IMG-POS	1	1/KP	
3		LINK-IMG-POS	1	1/P	
4		SNSR-POS-380	2	1/C	
5		SNSR-CTD-380	1	1/C	
6		SND-TDS-10A-380	1	1/D	
7		SPG-E-4R5XR3X20R8	1	1/P	
9		ASYS-SHAFT-CAM-TRU	1	1/P	
10		CAM-TRU	2	1/P	
12		GEAR-08S21-TR2-S2	1	1/P	
13		ACTR-CAM-TRU	1	1/P	
14		ASYS-HLDR-P-POWDER-L	1	1/PP	
16	51261101	GEAR-10S26-CLT	1	1/P	
17		BUSH-6-POM	2	5/P	
18		STOP-RING-6-5	4	5/P	
19		HRNS-CTD-140	1	1/P	
20		BUSH-6-GCB	1	5/P	
101		S/PAN-M3X6-ZU3	6	10/P	
102		S/BID-M3X6-NI	2	10/P	
104		P/PRL/BH7-2X14-SS	2	10/P	
105		RR/E-5-SS	3	10/P	
106		S/TPP/FHEXM-4X8-NI	2	10/P	
107		S/TPS/FHEXM/R-4X8-ZU3	3	10/P	

This Illustrated Parts Manual is to be used for part identification. Part numbers for the most often used parts are listed. To obtain parts for items that do not list an associated part number contact:

**Oki Data Technical Support at 866.654.1725**  
for specific part numbers and part ordering information

# PLATEN-ASY



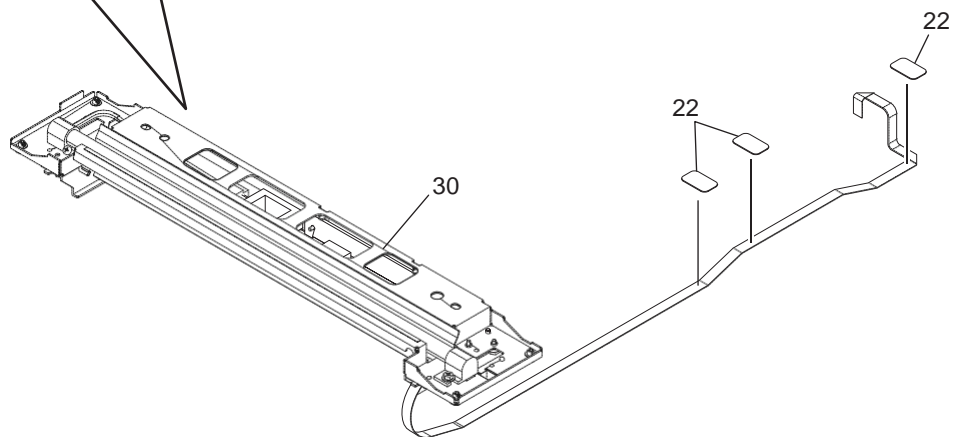
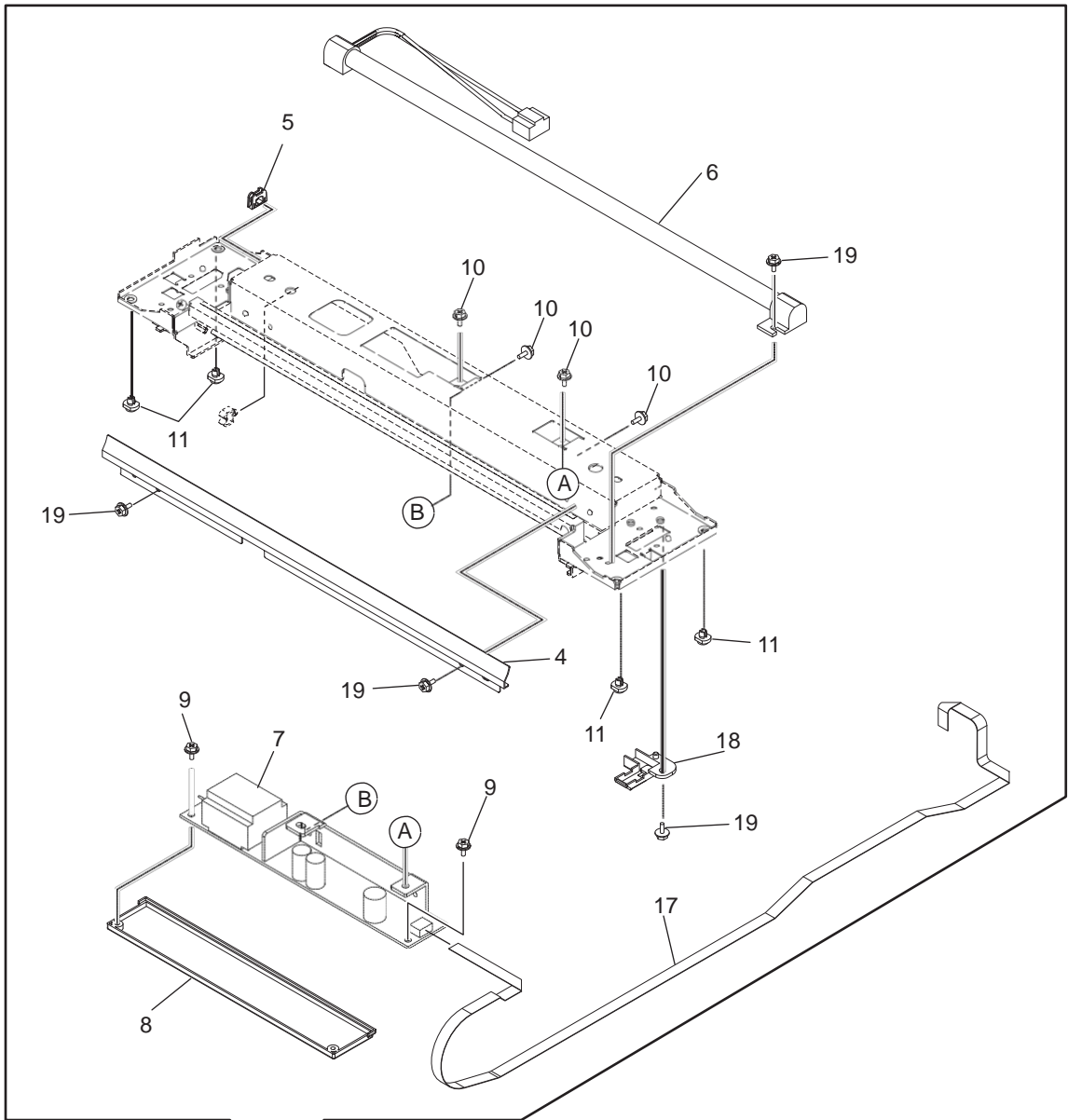
PLATEN-ASY

ITEM No.	PART No.	PART NAME	Q'TY / PAGE	Q'TY / PACK	REMARKS
1 A		ASYS-GLASS-H14X-A	1	1/S	
1 B		ASYS-GLASS-H14X-L	1	1/S	
2		ASYS-GLASS-ADF-DSX	1	1/C	
3		SPL-GLASS-ADF	2	1/P	
4		MYLAR-TAPE-FRT	1	5/KP	
6		SHEET-GEL-10-4	1	5/P	
7		MYLAR-SPL-GLASS-ADF	2	5/KP	
11		S/TPD3/FHEXM-3X6-ZU3	2	10/P	

This Illustrated Parts Manual is to be used for part identification. Part numbers for the most often used parts are listed. To obtain parts for items that do not list an associated part number contact:

**Oki Data Technical Support at 866.654.1725**  
for specific part numbers and part ordering information

CRG-1-ASY



CRG-1-ASY

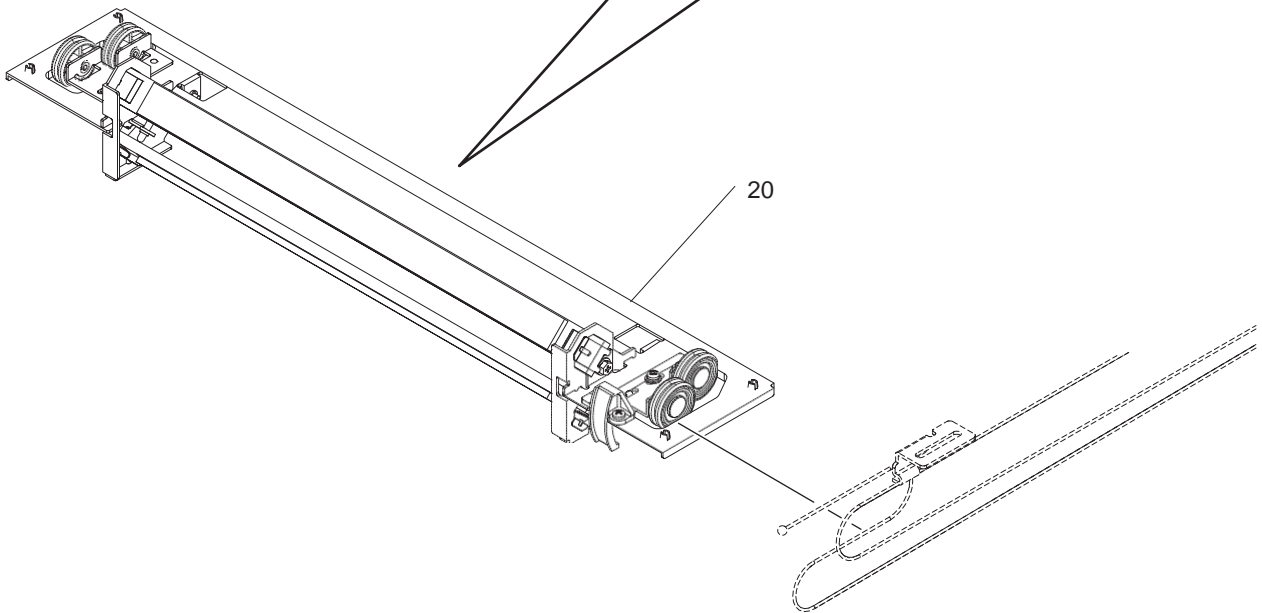
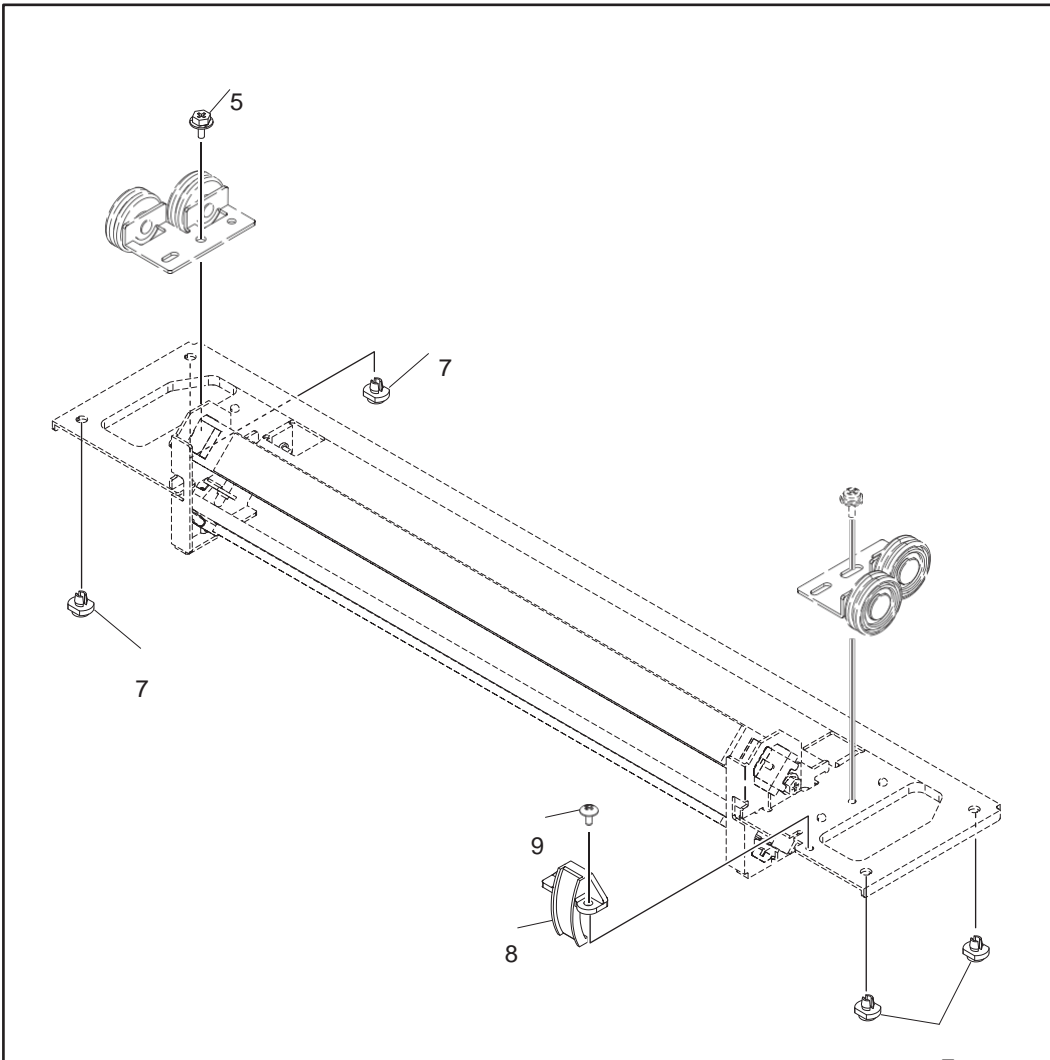
ITEM No.	PART No.	PART NAME	Q'TY / PAGE	Q'TY / PACK	REMARKS
4		REF-LAMP-430	1	1/C	
5		ES-0505	1	5/P	
6	56128005	LAMP-EXPO-450	1	1/C	
7	55631401	INV-EXPO-450	1	1/C	
8		COVER-INV	1	1/P	
9		S/TPP/FHEXM-3X6-NI	2	10/P	
10		S/FHEXM-M3X6-NI	4	10/P	
11		FOOT-CRG-410	4	5/P	
17		HRNS-SCN-INV-450	1	1/C	
18		GUIDE-HRNS-CRG1	1	1/P	
19		S/TPD3/FHEXM-3X6-ZU3	4	10/P	
22		MYLAR-HRNS-INV	3	1/P	
30		CARRIGE-1-450	1	1/S	

This Illustrated Parts Manual is to be used for part identification. Part numbers for the most often used parts are listed. To obtain parts for items that do not list an associated part number contact:

**Oki Data Technical Support at 866.654.1725**  
for specific part numbers and part ordering information



CRG-2-ASY



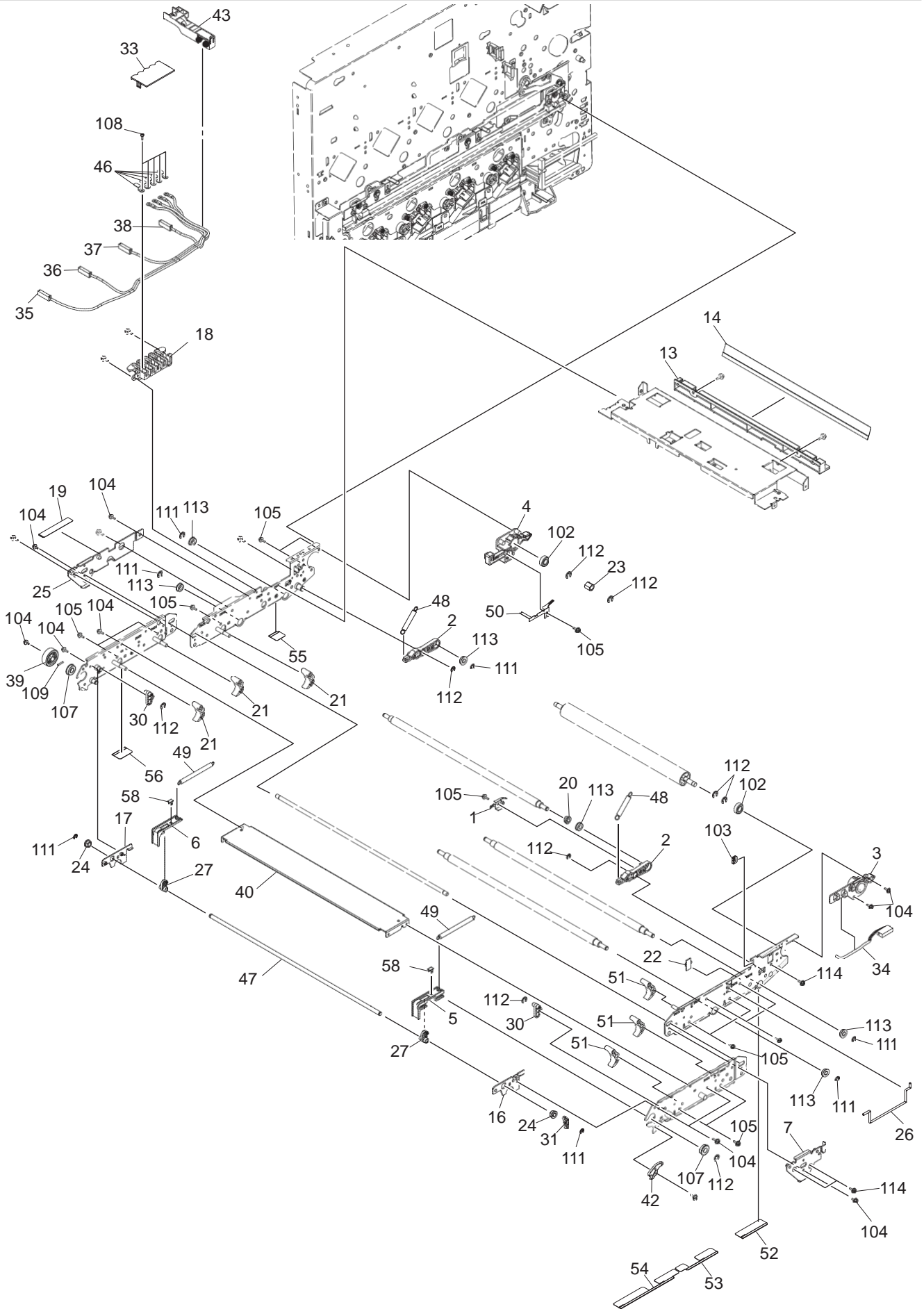
CRG-2-ASY

ITEM No.	PART No.	PART NAME	Q'TY / PAGE	Q'TY / PACK	REMARKS
5		S/TPD3/FHEXM-3X6-ZU3	1	10/P	
7		FOOT-CRG-410	4	5/P	
8		GUIDE-WH-CRG2	1	1/P	
9		S/TPS/BID-3X6-ZU3	1	10/P	
20		CARRIGE-2-450	1	1/S	

This Illustrated Parts Manual is to be used for part identification. Part numbers for the most often used parts are listed. To obtain parts for items that do not list an associated part number contact:

**Oki Data Technical Support at 866.654.1725**  
for specific part numbers and part ordering information

# TRANSPORT-BELT-UNIT-1



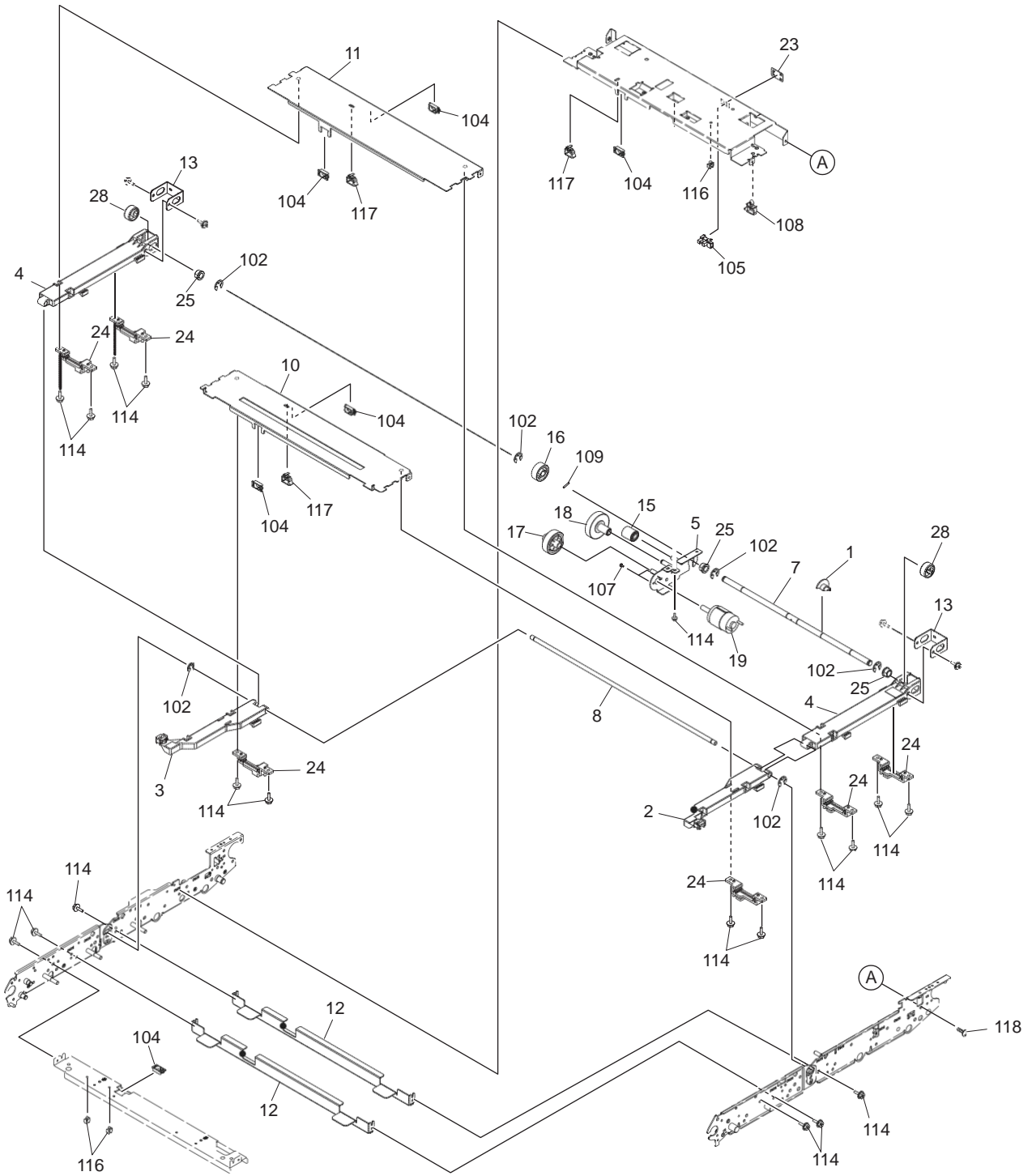
TRANSPORT-BELT-UNIT-1

ITEM No.	PART No.	PART NAME	Q'TY / PAGE	Q'TY / PACK	REMARKS
1		SPG-TBU-TNS-GND	1	1/P	
2		ARM-TENSION-MOLD	2	1/P	
3		HLDR-BRG-F-450	1	1/P	
4		HLDR-BRG-R-450	1	1/P	
5	53367401	HOOK-CLN-TBU-F	1	1/P	
6	53367405	HOOK-CLN-TBU-R-EX	1	1/P	
7		FRAME-TBU-HINGE-F-H14X	1	1/P	
13		HLDR-PAD-CLN-TR2-N	1	1/P	
14		MYLAR-CLN-TR2-WP-450	1	1/KP	
16		ASYS-PLATE-CLN-F	1	1/P	
17		ASYS-PLATE-CLN-R-EX	1	1/P	
18		BASE-TERMINAL-TBU	1	1/P	
19		LBL-HANDL-TBU	1	5/P	
20		BUSH-GCB-6-4-NU4	1	1/P	
21		LVR-LIFT-TR1-R	3	1/P	
22		HOLDER-WH	1	5/P	
23		BUSH-TR2-TBU	1	5/P	
24		BUSH-6-POM	2	5/P	
25		FRAME-TBU-HINGE-R-H14X	1	1/P	
26		LVR-TBU-F380	1	1/P	
27		CAM-LIFT-CLN-TBU	2	1/P	
30		CAM-LIFT-TNS	2	1/P	
31		CAM-SIDE-PLATE-CLN	1	1/P	
33		COVER-TERMINAL-TBU	1	1/P	
34		HRNS-TBU-140	1	1/P	
35		HRNS-TBUHV-C-380	1	1/P	
36		HRNS-TBUHV-K-380	1	1/P	
37		HRNS-TBUHV-M-380	1	1/P	
38		HRNS-TBUHV-Y-380	1	1/P	
39		GEAR-3H106-TBU-H14X	1	1/P	
40		PLATE-TBU-CL	1	1/P	
42		GUIDE-STUD-CLN-TBU	1	1/P	
43		GUIDE-WH-TR	1	1/P	
46		PLATE-TERMINAL-TBU	5	1/P	
47		SHAFT-CAM-LVR-CLN	1	1/P	
48		SPG-E-TNS-9N	2	1/P	
49		SPG-E-CLN-TBU	2	1/P	
50		PLATE-TR2-TBU	1	1/C	
51		LVR-LIFT-TR1	3	1/P	
52		MYLAR-TBU-H14X-F-1	1	1/P	
53		MYLAR-TBU-H14X-F-2	1	1/P	
54		MYLAR-TBU-H14X-F-3	1	1/P	
55		MYLAR-TBU-H14X-R-1	1	5/P	
56		MYLAR-TBU-H14X-R-2	1	5/P	
58		SPG-F-HOOK-STOP	2	1/P	
102		L-1680HHRPOP25LY551	2	5/P	
103		ES-0505	1	5/P	
104		S/FHEXM-M3X6-NI	10	10/P	
105		S/TPP/FHEXM-3X8-NI	10	10/P	
107		LNR-1680HHRPOP15LY13	2	1/P	
108		S/TPP/PAN-3X8-NI	5	10/P	
109		P/PRL/AH7-2X12-SS	1	10/P	
111		RR/E-4-SS	7	10/P	
112		RR/E-5-SS	9	10/P	
113		F126ZZ-DF30ELC-GV22	6	1/P	

This Illustrated Parts Manual is to be used for part identification. Part numbers for the most often used parts are listed. To obtain parts for items that do not list an associated part number contact:

**Oki Data Technical Support at 866.654.1725**  
for specific part numbers and part ordering information

# TRANSPORT-BELT-UNIT-2



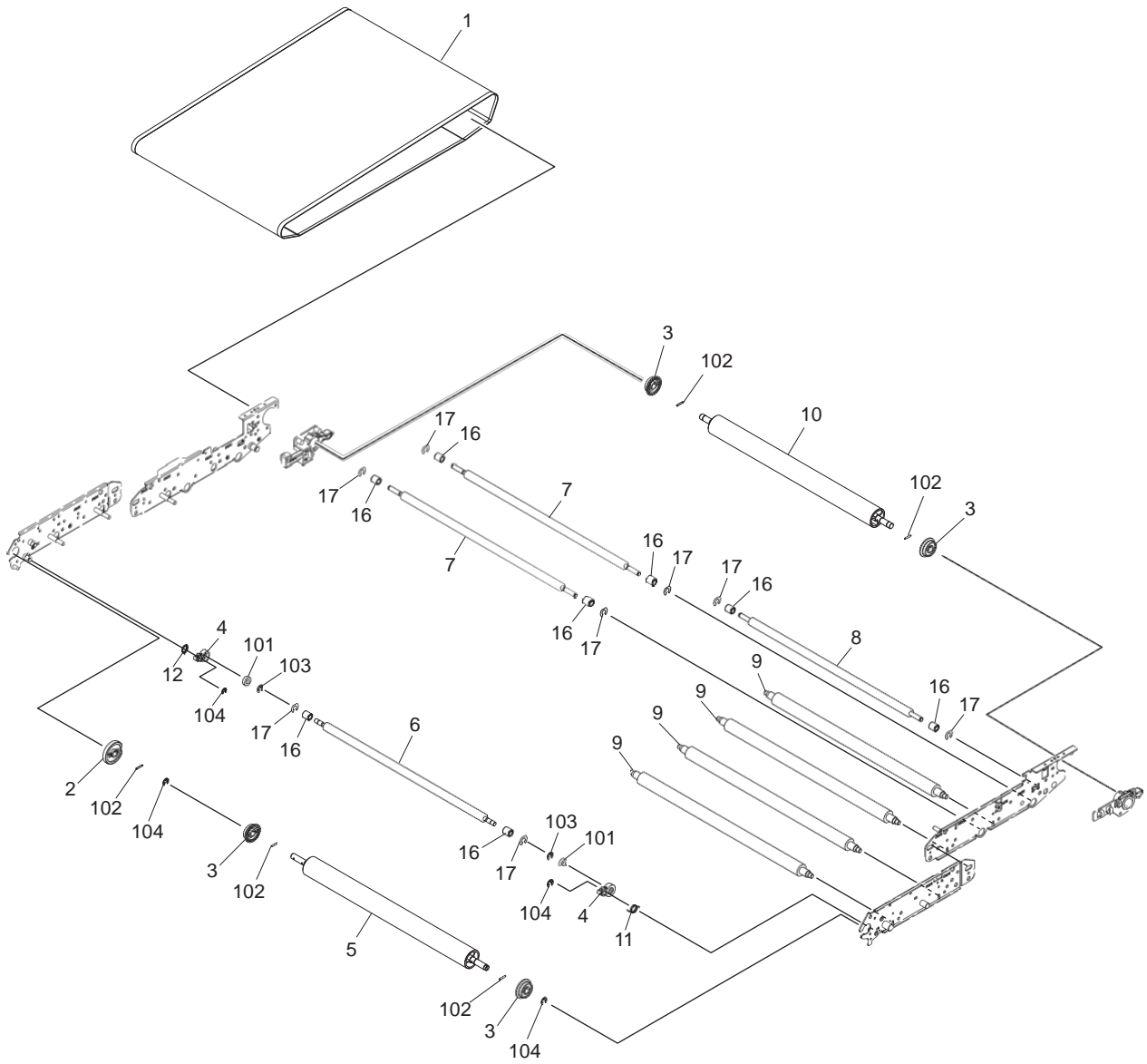
TRANSPORT-BELT-UNIT-2

ITEM No.	PART No.	PART NAME	Q'TY / PAGE	Q'TY / PACK	REMARKS
1		ACTR-CAM-LIFT-EXN-N	1	1/P	
2		LINK-YMC-F-CL	1	1/P	
3		LINK-YMC-R-CL	1	1/P	
4		LINK-YMC-F-EX	2	1/P	
5		ASYS-BRKT-LIFT	1	1/P	
7		SHAFT-LIFT-TBU	1	1/P	
8		SHAFT-LINK-TBU	1	1/P	
10		ASYS-STAY-TBU-H-CL-EX	1	1/P	
11		ASYS-STAY-TBU-H-TR-EX	1	1/P	
12		STAY-TBU-V	2	1/P	
13		BRKT-LINK-YMC-EX	2	1/P	
15		GEAR-5H28-6	1	1/P	
16		GEAR-5H47-8	1	1/P	
17		GEAR-5H64_5H19-6	1	1/P	
18		GEAR-5H71_5H18-6	1	1/P	
19	56527105	K-MOT-LIFT-314	1	1/C	
23		COVER-SNSR-LIFT	1	1/P	
24		GUIDE-LINK-TBU	6	1/P	
25		BUSH-8	3	5/P	
28		CAM-LIFT-EX-FN	2	1/P	
102		RR/E-5-SS	6	10/P	
104		ESC-0912	6	10/P	
105	55630501	GP1A73ARJ00F	1	1/P	
107		S/PAN-M2.6X4-NC	2	10/P	
108		LWS-0711Z	1	5/P	
109		P/PRL/AH7-2X16-SS	1	10/P	
114		S/TPD3/FHEXM-3X8-ZU3	19	10/P	
116		UAMS-05-0	3	5/P	
117		RLWT-2V0	3	5/P	
118		S/BID-M3X4-ZC3-RED	1	5/P	

This Illustrated Parts Manual is to be used for part identification. Part numbers for the most often used parts are listed. To obtain parts for items that do not list an associated part number contact:

**Oki Data Technical Support at 866.654.1725**  
for specific part numbers and part ordering information

# TRANSPORT-BELT-UNIT-3



TRANSPORT-BELT-UNIT-3

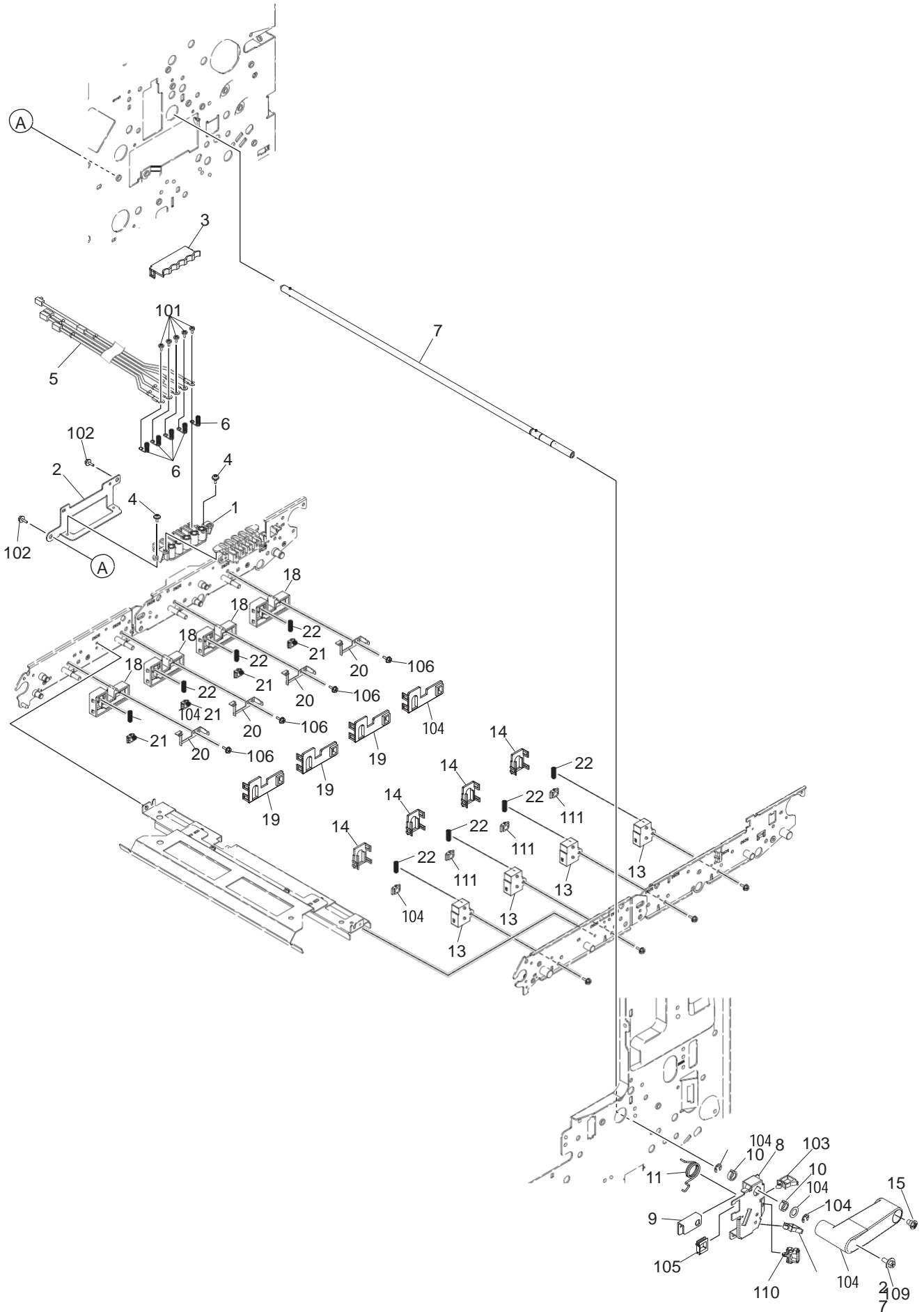
ITEM No.	PART No.	PART NAME	Q'TY / PAGE	Q'TY / PACK	REMARKS
1	51312904	BELT-TBU-F450 (Transfer Belt)	1	1/C	
2		GEAR-CLN-DRV-RLR	1	1/P	
3		GUIDE-RIB-YF20	4	1/P	
4		HLDR-BRG-TNS	2	1/P	
5	53367203	RLR-DRV-TBU-EPDM-450	1	1/C	
6		RLR-LIFT-TBU-450	1	1/KP	
7	53367305	RLR-SNS-TBU-H14X	2	1/KP	
8	53367205	RLR-TNS-TBU-450	1	1/KP	
9	53367304	RLR-TR1-TBU-H14X	4	1/C	
10	53367204	ASYS-RLR-TR2-TBU-FCOAT	1	1/C	
11		SPG-T-LIFT-TNS-F	1	1/P	
12		SPG-T-LIFT-TNS-R	1	1/P	
16		COLAR-RLR-TBU-450	8	1/P	
17		RRG-4-P	8	1/P	
101		L-1260ZZRPOP25LY551	2	1/P	
102		P/PRL/AH7-2X12-SS	5	10/P	
103		RR/E-4-SS	2	10/P	
104		RR/E-5-SS	5	10/P	

This Illustrated Parts Manual is to be used for part identification. Part numbers for the most often used parts are listed. To obtain parts for items that do not list an associated part number contact:

**Oki Data Technical Support at 866.654.1725**  
for specific part numbers and part ordering information



# TRANSPORT-BELT-UNIT-4



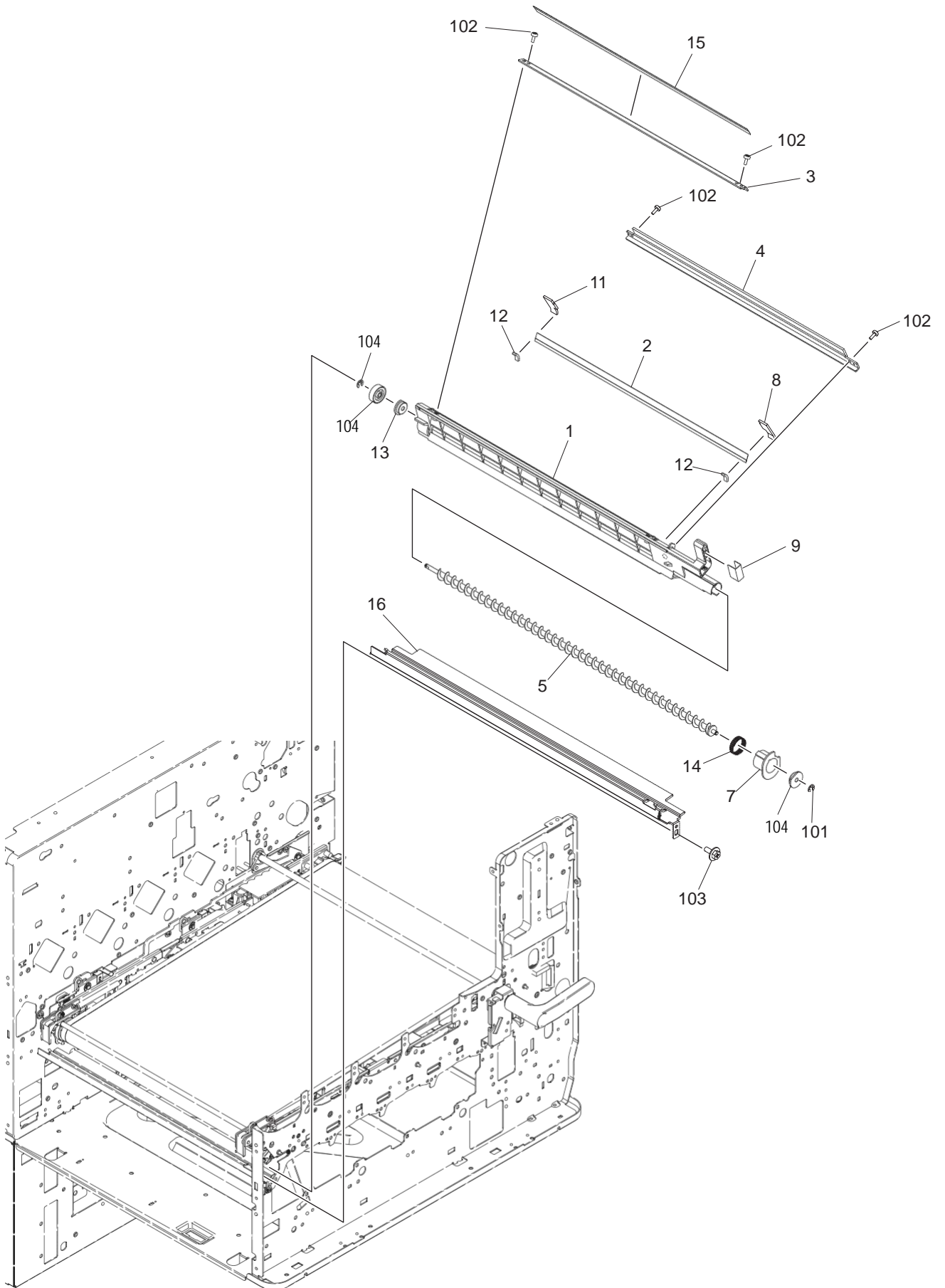
TRANSPORT-BELT-UNIT-4

ITEM No.	PART No.	PART NAME	Q'TY / PAGE	Q'TY / PACK	REMARKS
1		BASE-SOCKET-TBU	1	1/P	
2		BRKT-SOCKET-TBU	1	1/P	
3		COVER-SOCKET-TBU	1	1/P	
4		SCREW-BKT-DEV	2	10/P	
5		HRNS-HVPS-TBU-450	1	1/P	
6		SPG-BIAS-TBU	5	1/P	
7		ASYS-SHAFT-LIFT-CRU	1	1/P	
8		BRKT-CLICK-CRU	1	1/P	
9		BRKT-CLICK-SHAFT-VA	1	1/P	
10		COLAR-CLICK	2	5/P	
11		SPG-T-CLICK	1	1/P	
12		WASHER-8*14*03	1	10/P	
13		CASE-TERMINAL-TR1-FN	4	1/P	
14		COVER-TERMINAL-TR1-FN	4	1/P	
15		SCREW-LVR-CRU	1	5/P	
18		CASE-TERMINAL-TR1-R-H14X	4	1/P	
19		COVER-TERMINAL-TR1-RN	4	1/P	
20		PLATE-TR1	4	1/P	
21		HLDR-TR-ROLL	4	1/P	
22		SPG-C-TR1	8	1/P	
27		HANDL-LIFT-TBU-CRU	1	1/P	
101		S/TPP/BID-3X6-NC	5	10/P	
102		S/TPS/FHEXM/R-4X8-ZU3	2	10/P	
103		LWS-1211Z	2	5/P	
104		RR/E-5-SS	2	10/P	
105		LES-1010	1	5/P	
106		S/TPP/FHEXM-3X8-NI	4	10/P	
109		S/PAN/SWWP-M4X8-ZU3	1	10/P	
110		RLWC-2SV0	1	5/P	
111		BUSH-TR1-TBU	4	1/P	

This Illustrated Parts Manual is to be used for part identification. Part numbers for the most often used parts are listed. To obtain parts for items that do not list an associated part number contact:

**Oki Data Technical Support at 866.654.1725**  
for specific part numbers and part ordering information

# BELT-CLEAN-UNIT-ASY



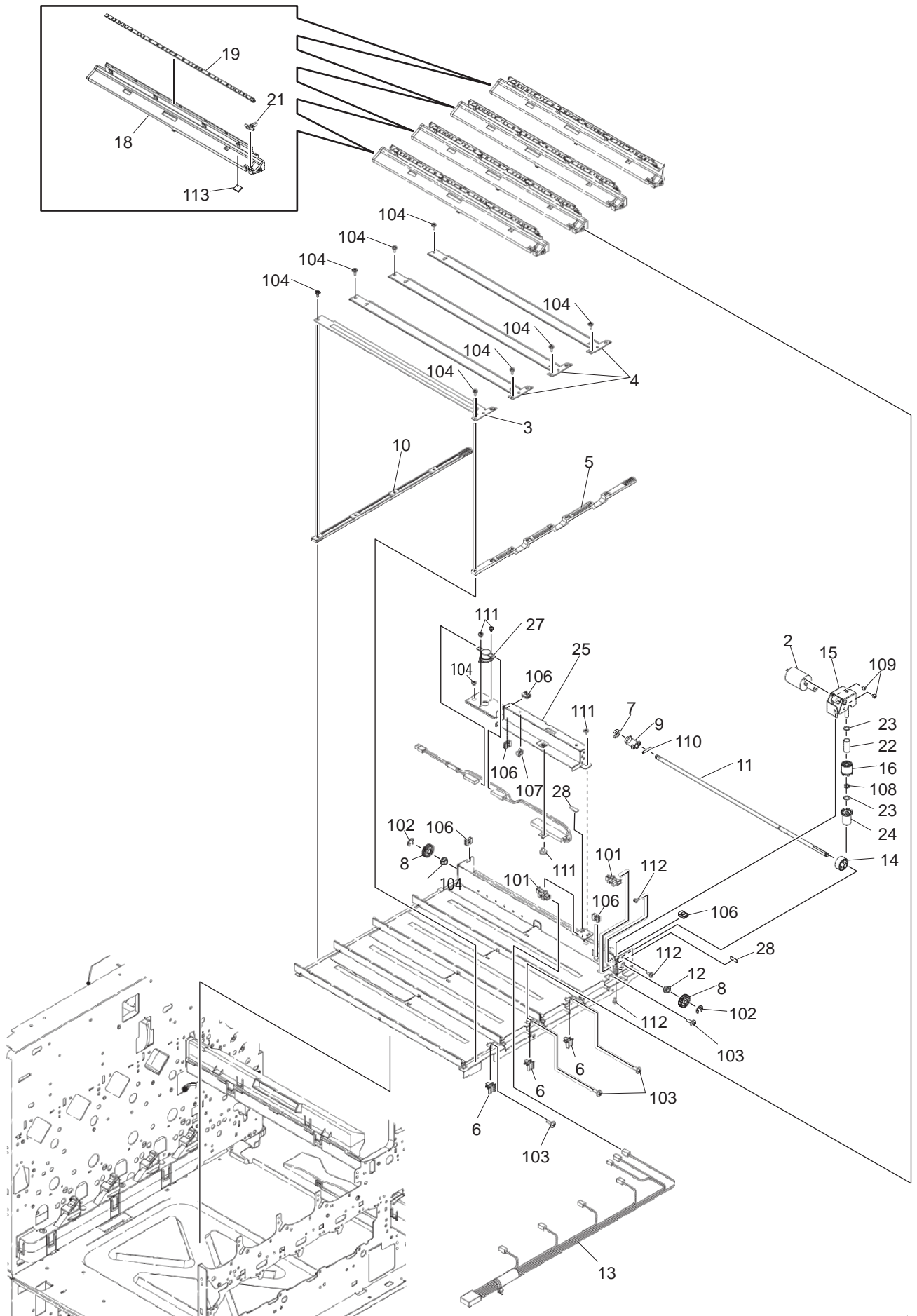
BELT-CLEAN-UNIT-ASY

ITEM No.	PART No.	PART NAME	Q'TY / PAGE	Q'TY / PACK	REMARKS
1		FRAME-CLN-TBU-F380	1	1/PP	
2		SHEET-AUGER-TBU	1	1/KP	
3		PLATE-CLN-TBU	1	1/P	
4		BL-FC35TR (Cln Blade)	1	1/S	
5		AUGER-CLN-TBU	1	1/KP	
6		GEAR-CLN-TBU	1	1/P	
7		SHUTTER-EXIT-CLN-TBU	1	1/P	
8		SEAL-BLADE-CLN-TBU-F	1	5/P	
9		LBL-HANDLE-CLN-TBU	1	5/KP	
10		BUSH-0418-05F-M	1	5/P	
11		SEAL-BLADE-CLN-TBU-R	1	5/P	
12		SEAL-SIDE-BLADE-TBU-ECS	2	1/P	
13		BUSH-4-CLN-TBU-F	1	5/P	
14		SPG-C-SHUTTER-EXIT	1	5/P	
15		SHEET-REC-TBU	1	1/KP	
16		RAIL-CLN-TBU-U	1	1/PP	
101		RR/E-3-SS S/TPP/PAN-	2	10/P	
102		3X6-NI S/TPS/FHEXM/R-	4	10/P	
103		4X8-ZU3	1	10/P	

This Illustrated Parts Manual is to be used for part identification. Part numbers for the most often used parts are listed. To obtain parts for items that do not list an associated part number contact:

**Oki Data Technical Support at 866.654.1725**  
for specific part numbers and part ordering information

# SHUTTER-ASY



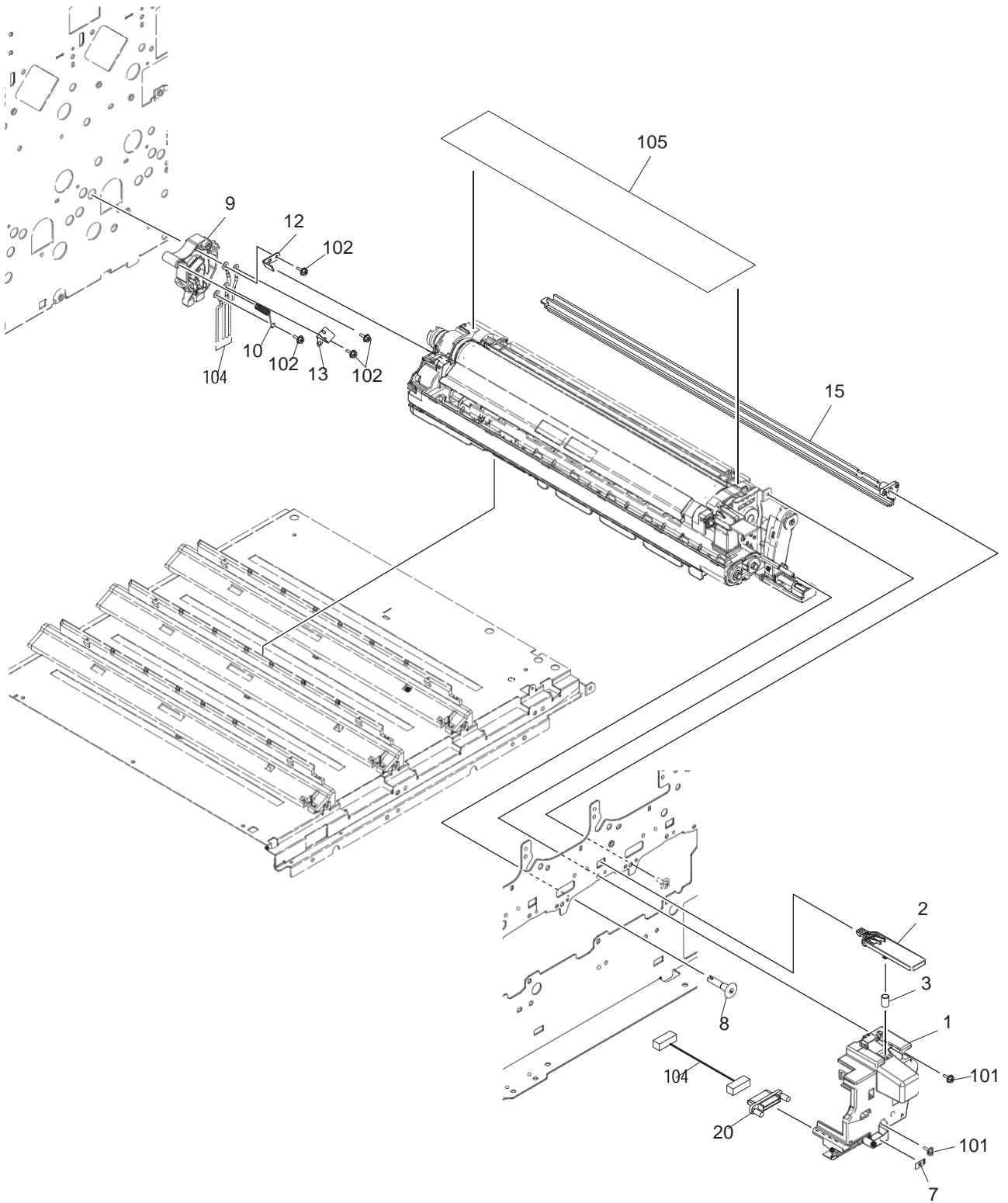
## SHUTTER-ASY

ITEM No.	PART No.	PART NAME	Q'TY / PAGE	Q'TY / PACK	REMARKS
2	56527402	ASYS-MOTR-SHUT-380	1	1/D	
3		PLATE-SHUT-TNR-Y-45X	1	1/KP	
4		PLATE-SHUT-TNR-45X	3	1/KP	
5		RACK-SHUT-FRT-45X	1	1/KP	
6		GUIDE-HARNESS	3	1/P	
7			STOP-RING-6-5	1	5/P
8		GEAR-SHUT-FRT	2	1/P	
9		ACTR-SHUT-C	1	1/P	
10		RACK-SHUT-RER-45X	1	1/KP	
11		SHAFT-SHUTTER	1	1/P	
12		BUSH-6-POM	2	5/P	
13		HRNS-LSHTU-140	1	1/P	
14		GEAR-IDLER-08H17	1	1/P	
15		ASYS-PLTSHT-45X	1	1/P	
16		GEAR-IDLER-08H18-U-A	1	1/P	
18	56128006	DUCT-OZN-CHA-F45X	1	1/PP	
19		LAMP-ERASE-450	1	1/S	
21		ACTR-CHARGR-MAIN	1	1/P	
22		SPG-SHUT-D-160	1	1/P	
23		WASHER-6R2X9R5XR13-PL	2	5/P	
24		GEAR-IDLER-08H9-L-A	1	1/P	
25		BRKT-DH-380	1	1/P	
27		THRMST-CS-7SA	1	1/C	
28		MYLAR-SW-RGST-2	2	5/P	
101	55630501	GP1A73ARJ00F	2	1/P	
102		RR/E-5-SS	2	10/P	
103		S/TPS/BID-3X6-ZU3	4	10/P	
104		S/TPP/BID-3X6-NC	8	10/P	
106		ES-0505	5	5/P	
107		UAMS-05SN 142SH BLK	1	5/P	
108		RR/E-4-SS	1	10/P	
109		S/PAN-M3X3-NI	2	10/P	
110		P/PRL/AH7-2X12-SS	1	10/P	
111		S/BID-M3X4-NI	5	10/P	
112		S/BID-M3X6-NI	3	10/P	
113		MN-1	1	5/P	

This Illustrated Parts Manual is to be used for part identification. Part numbers for the most often used parts are listed. To obtain parts for items that do not list an associated part number contact:

**Oki Data Technical Support at 866.654.1725**  
for specific part numbers and part ordering information

# EPU-SUB-ASY



## EPU-SUB-ASY

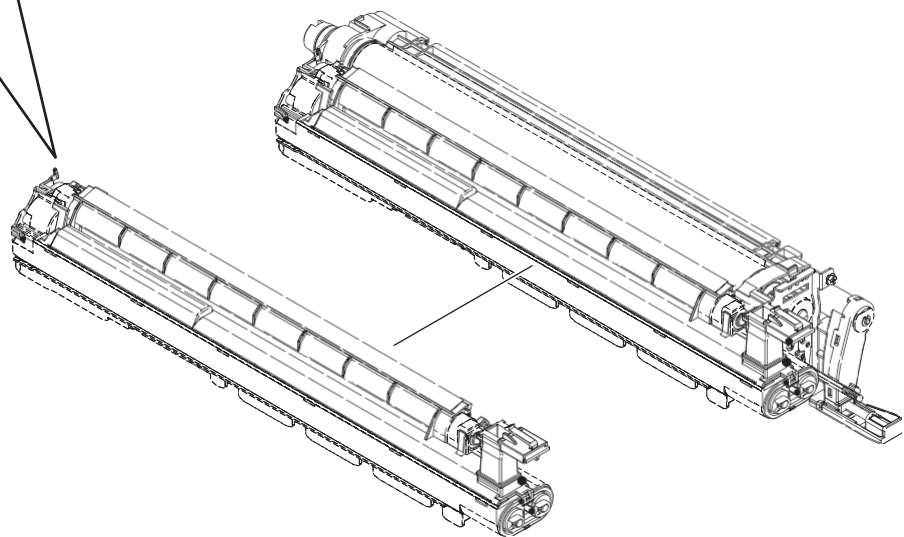
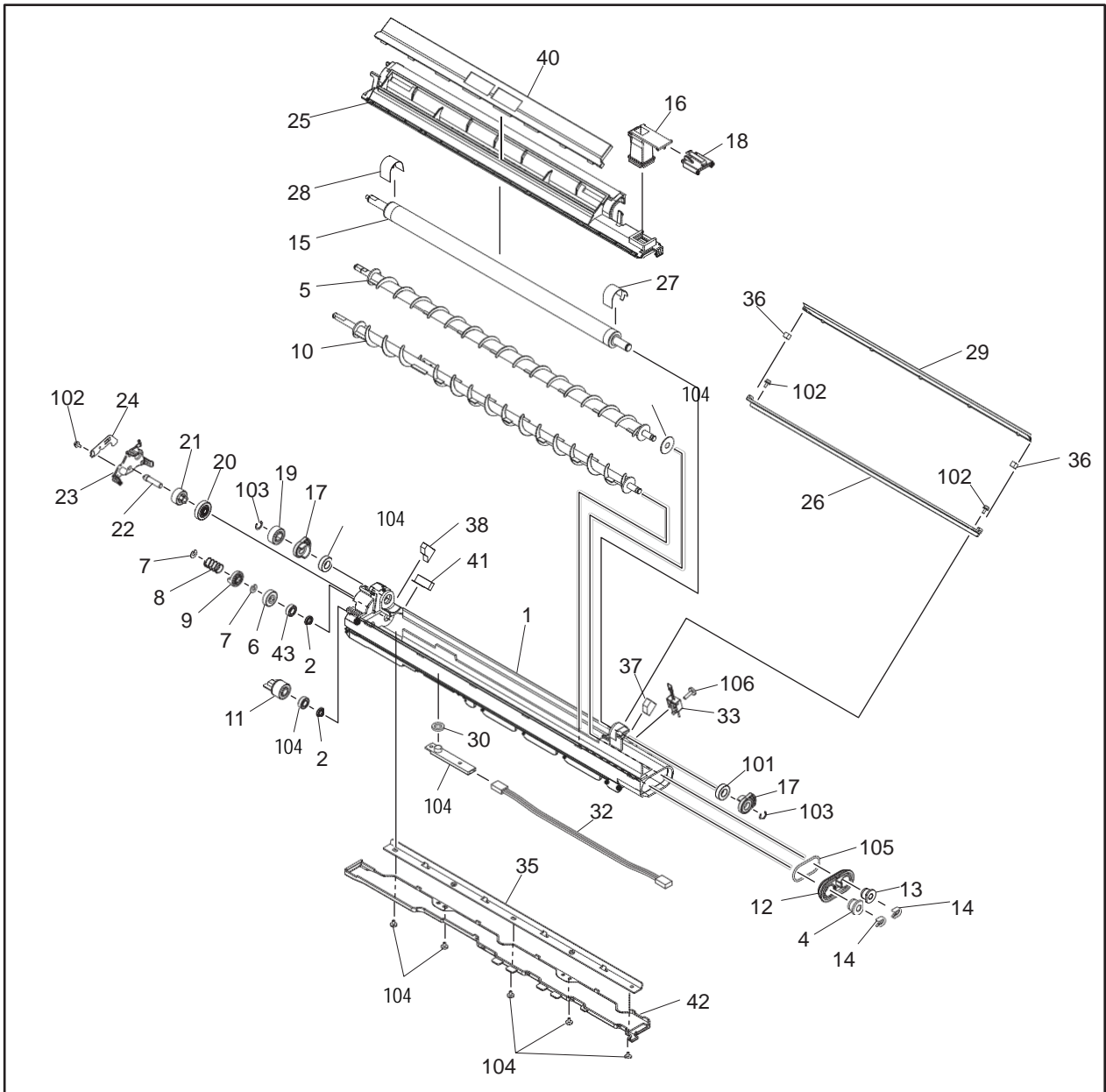
ITEM No.	PART No.	PART NAME	Q'TY / PAGE	Q'TY / PACK	REMARKS
1 A		COVER-EPU-H14X-K	1	1/PP	
1 B		COVER-EPU-H14X-Y	1	1/PP	
1 C		COVER-EPU-H14X-M	1	1/PP	
1 D		COVER-EPU-H14X-C	1	1/PP	
2		HANDLE-EPU-LOCK	1	1/P	
3		SPG-C-HANDLE-LOCK	1	1/P	
4 A		HRNS-MCEPU-450	1	1/P	
4 B		HRNS-YKEPU-450	1	1/P	
7		LBL-PSN-LSU-CLN	1	5/P	
8	51904201	<b>HANDL-CHARGR-CLNR-380</b>	1	1/P	
9		TERM-HVT-EPU-380	1	1/P	
10		SPG-C-BIAS-DEV-380	1	1/P	
12		PLATE-BIAS-CHARGR-380	1	1/P	
13		SPG-F-BIAS-GRID-380	1	1/P	
14 A		HRNS-HVPS-KPU-140	1	1/P	
14 B		HRNS-HVPS-YPU-140	1	1/P	
14 C		HRNS-HVPS-MPU-140	1	1/P	
14 D		HRNS-HVPS-CPU-140	1	1/P	
15		STAY-EPU-UPR-380	1	1/KP	
20		08R-RIZ-K4GG-FL (LF)(SN)	1	1/P	
101		S/FHEXM-M3X8-NI	2	10/P	
102		S/TPP/FHEXM-3X8-NI	4	10/P	
105		SHEET-GUARD-DRUM-H14X	1	1/P	

This Illustrated Parts Manual is to be used for part identification. Part numbers for the most often used parts are listed. To obtain parts for items that do not list an associated part number contact:

**Oki Data Technical Support at 866.654.1725**  
for specific part numbers and part ordering information



# DEVELOPER-ASY



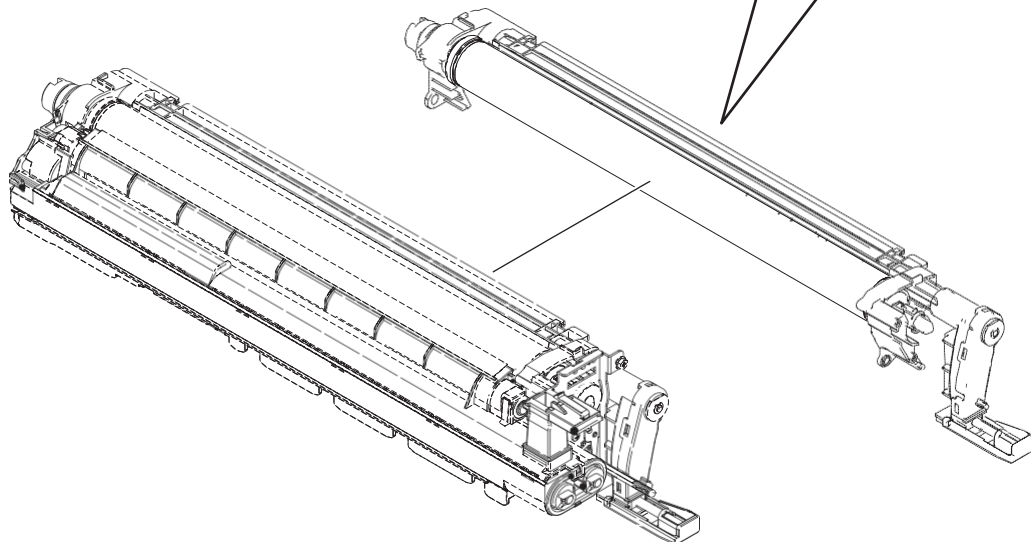
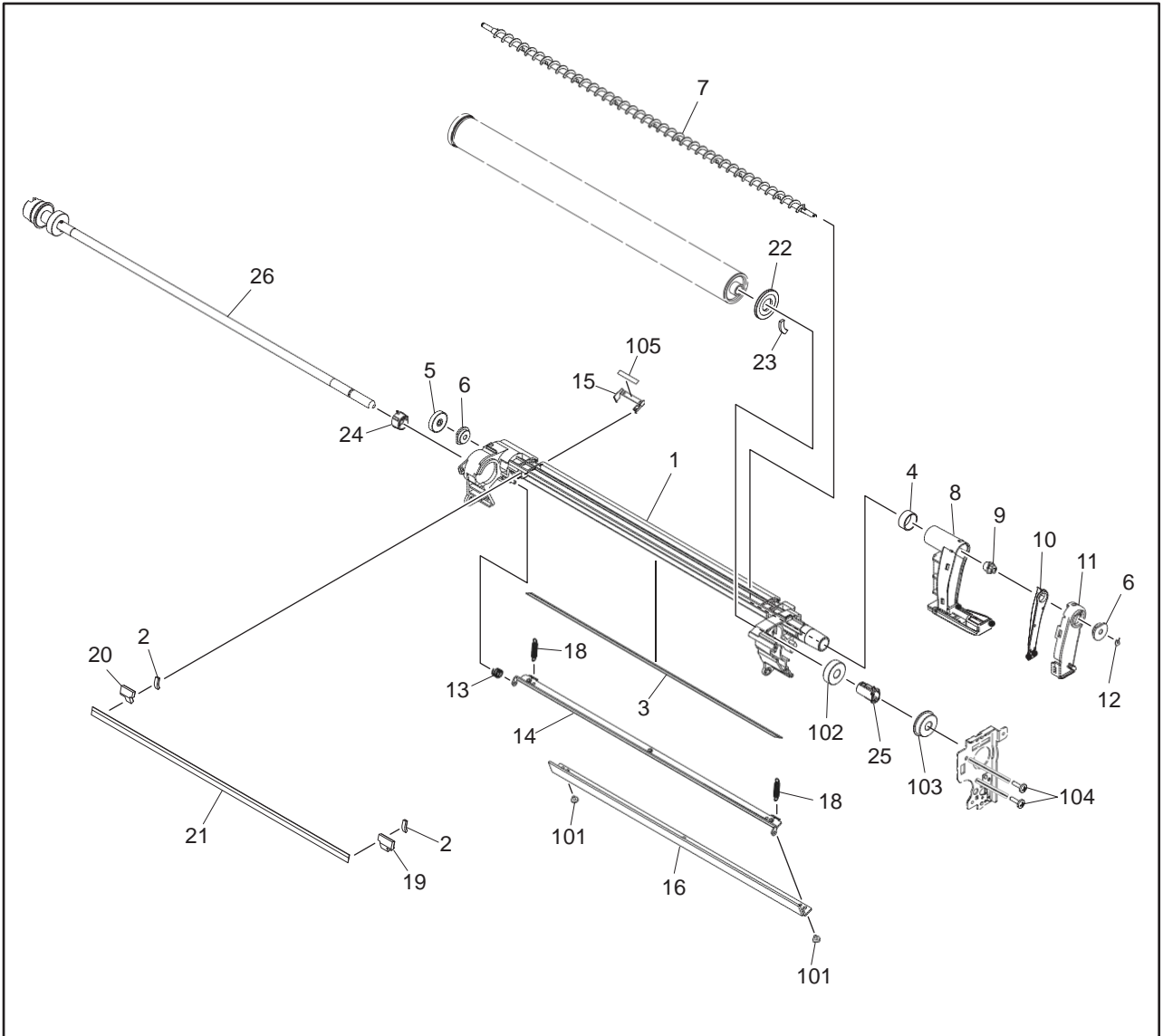
DEVELOPER-ASY

ITEM No.	PART No.	PART NAME	Q'TY / PAGE	Q'TY / PACK	REMARKS
1		ASYS-CASE-DEV-SEAL-H14X	1	1/C	
2		SEAL-VC6-10-2.5	2	1/P	
4		ASYS-BUSH-6X12X10F-H14X	1	1/P	
5		MIXER-1-380-25	1	1/KP	
6		GEAR-8H18-DEV	1	1/P	
7		WAS-POLY-4	2	10/P	
8		SPG-C-CPG-DEV	1	1/P	
9		CPG-DRV-DEV	1	1/P	
10		ASYS-MIXER-2-F45X	1	1/PP	
11		GEAR-8H18-6-R	1	1/P	
12		HLDR-BUSH-DEV-F-45X	1	1/P	
13		BUSH-SEAL-6-M	1	1/P	
14		STOP-RING-6-5	2	5/P	
15	53367201	RLR-MAGT-F45X-R	1	1/KP	
16		ASYS-SEAL-DUCT-DEV-2	1	1/P	
17		RLR-GUIDE-DEV-035	2	1/P	
18		ASYS-SEAL-SHUT-DEV	1	1/P	
19		GEAR-8H19-8-L	1	1/P	
20		ASYS-GEAR-8H22-5-L-BR	1	1/P	
21		ASYS-GEAR-8H17-5-R-BR-M	1	1/P	
22		STUD-GEAR-DEV	1	1/P	
23		ASYS-HLDR-GEAR-DEV	1	1/P	
24		ADJSTR-MG-2	1	1/P	
25		ASYS-COVER-DEV-H14X	1	1/PP	
26		ASYS-DOCTOR-F45X	1	1/KP	
27		SEAL-MG-SIDE-F	1	1/P	
28		SEAL-MG-SIDE-R	1	1/P	
29		ASYS-HLDR-SHIELD-DEV	1	1/C	
30		SEAL-ATC-BLK	1	5/P	
31		SNSR-ATC-380	1	1/C	
32 A		HRNS-MCEPU-450	1	1/P	
32 B		HRNS-YKEPU-450	1	1/P	
33	55631504	THMS-DRM-380	1	1/C	
35		PLATE-DEV-COOLER	1	1/P	
36		SEAL-MG-DOC-L	2	5/P	
37		SEAL-DOC-SIDE-F	1	5/P	
38		SEAL-DOC-SIDE-R	1	5/P	
39		SEAL-MIXER-380	1	5/P	
40		ASYS-DUCT-DEV-COV	1	1/P	
41		ASYS-SEAL-DOC-SIDE-R	1	1/P	
42		DUCT-DEV-COOLER	1	1/PP	
43		L1260 2RS-SH44M-GV22	2	1/P	
101		6882RSSH44M	2	1/P	
102		S/PAN/SWWS-M3X6-BS	3	10/P	
103		S5103-31 3BC	2	10/P	
104		S/BID-M3X4-NI	5	10/P	
105		CO0523A	1	1/P	
106		S/BID-M3X8-NI	1	10/P	

This Illustrated Parts Manual is to be used for part identification. Part numbers for the most often used parts are listed. To obtain parts for items that do not list an associated part number contact:

**Oki Data Technical Support at 866.654.1725**  
for specific part numbers and part ordering information

# CLN-DRUM-ASY



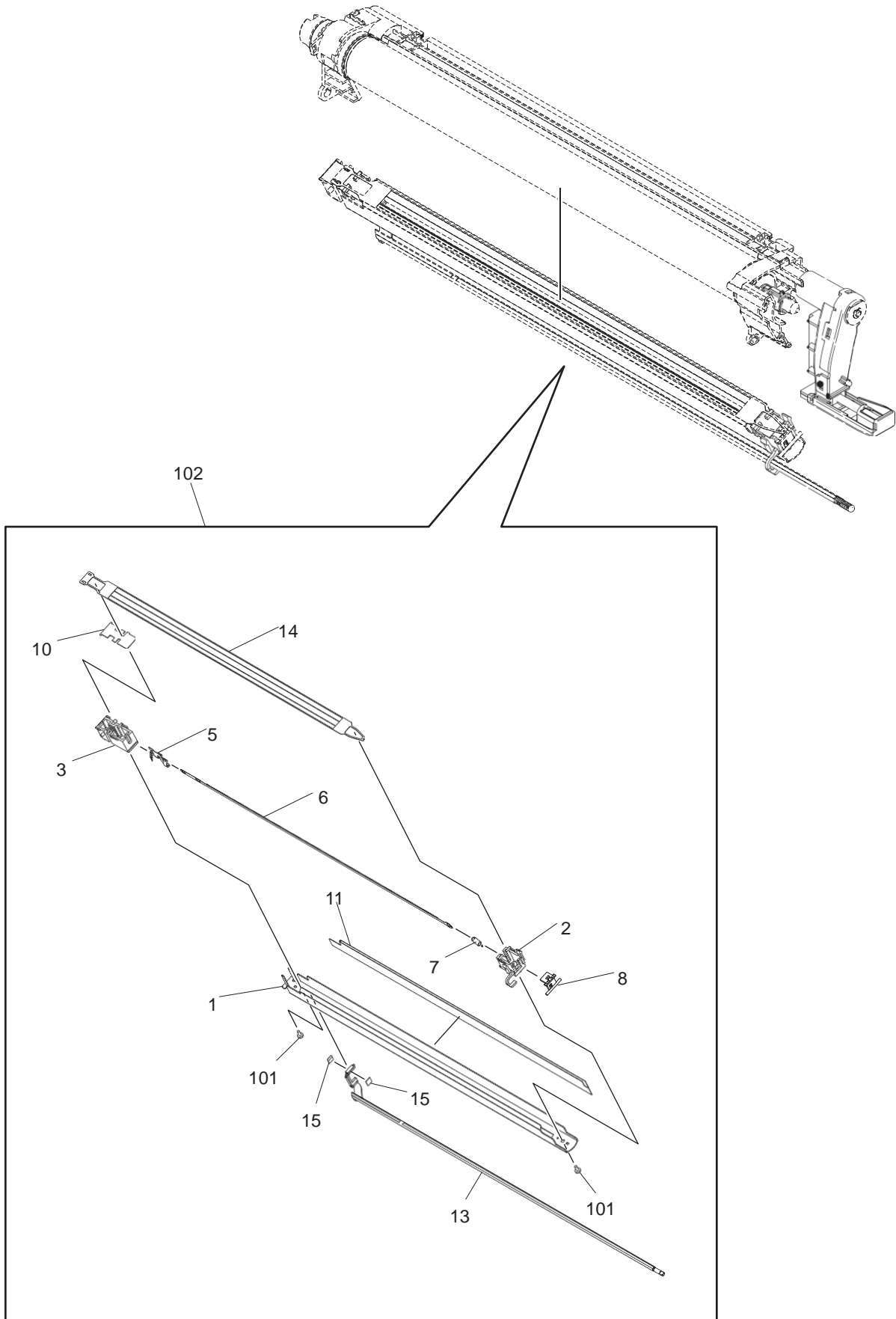
## CLN-DRUM-ASY

ITEM No.	PART No.	PART NAME	Q'TY / PAGE	Q'TY / PACK	REMARKS
1		CASE-CLNR-DRUM-H14X	1	1/PP	
2		SEAL-BLADE-BCK	2	5/P	
3		SHEET-CASE-CLNR-AUGER	1	1/KP	
4		SEAL-WASTE-TNR-N	1	5/P	
5		GEAR-8S23-4-AUGER	1	1/P	
6		BUSH-4-CLN-TBU-F	2	5/P	
7		AUGER-CLNR-DRUM-380	1	1/KP	
8		ASYB-WASTE-TNR-DUCT	1	1/P	
9		CAM-WASTE-DUCT	1	1/P	
10		CLNR-WASTE-DUCT	1	1/P	
11		ASYS-DUCT-WASTE-TNR-F	1	1/P	
12		RRG-2R65X7XR5-PS	1	5/P	
13		SPG-C-BIAS-BLADE-DRUM-14X	1	5/P	
14		HLDR-BLADE-DRUM-380	1	1/P	
15		SPG-F-BIAS-BLADE-DRUM-14X	1	1/P	
16		BL-FC25D	1	1/S	
18		SPG-E-3R9XR4X13-BLADE	2	1/P	
19		SEAL-BLADE-SIDE-F-H14X	1	1/P	
20		SEAL-BLADE-SIDE-R-H14X	1	1/P	
21		BLADE-REC-DRUM-H14X-U	1	1/KP	
22		SEAL-DRUM-F-H14X	1	1/KP	
23		SEAL-DRUM-F-S	1	5/P	
24		SLEEVE-DRUM-SHAFT	1	1/P	
25		RTNR-DRUM-SHAFT	1	1/P	
26		ASYS-SHAFT-DRUM-H14X-N	1	1/P	
101		S/BID-M3X4-NI	2	10/P	
102		608ZM2MTLY13	1	1/P	
103		608ZZNR2KS	1	1/P	
104		S/TPP/BID-3*8-NI	2	5/P	
105		PSA_TA-W-5713-4x25	1	5/P	

This Illustrated Parts Manual is to be used for part identification. Part numbers for the most often used parts are listed. To obtain parts for items that do not list an associated part number contact:

**Oki Data Technical Support at 866.654.1725**  
for specific part numbers and part ordering information

# MAIN-CHARGER-ASY



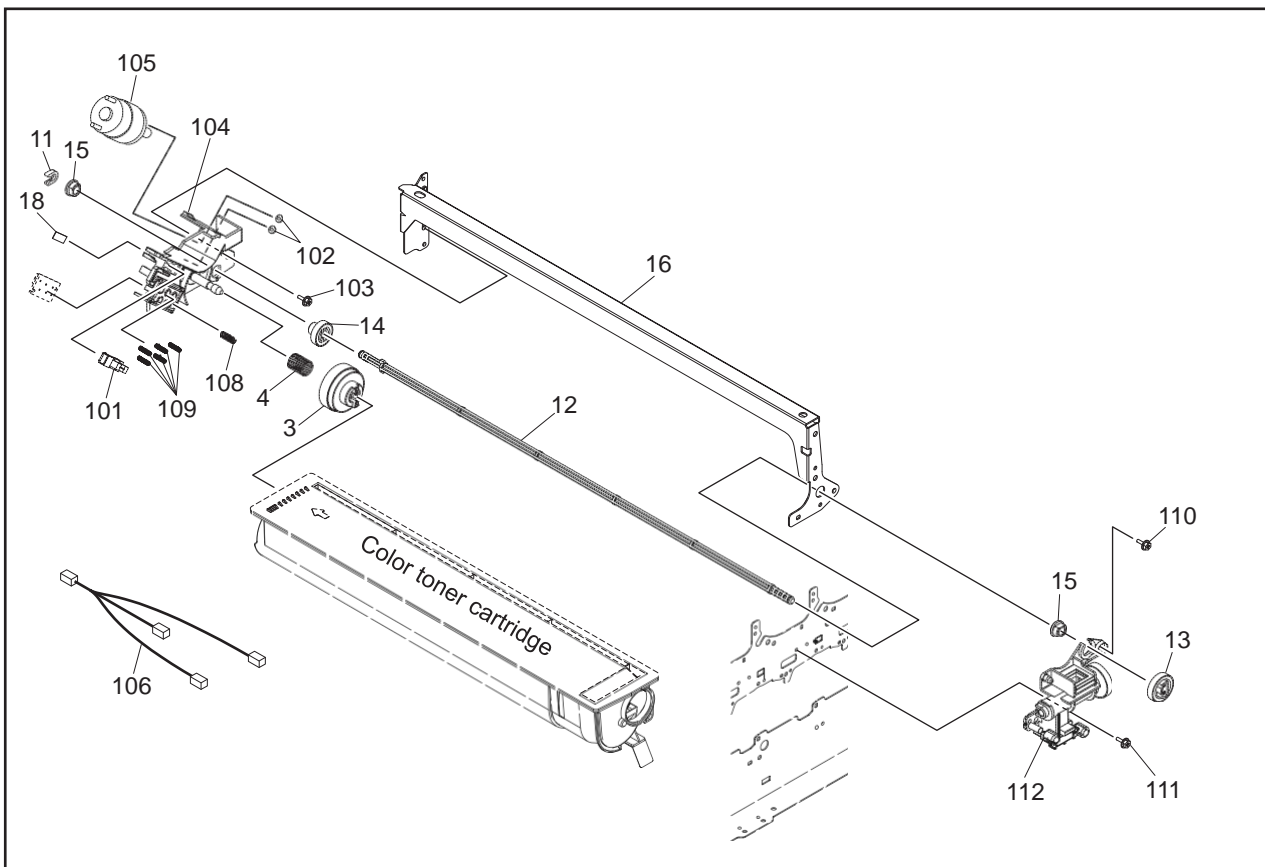
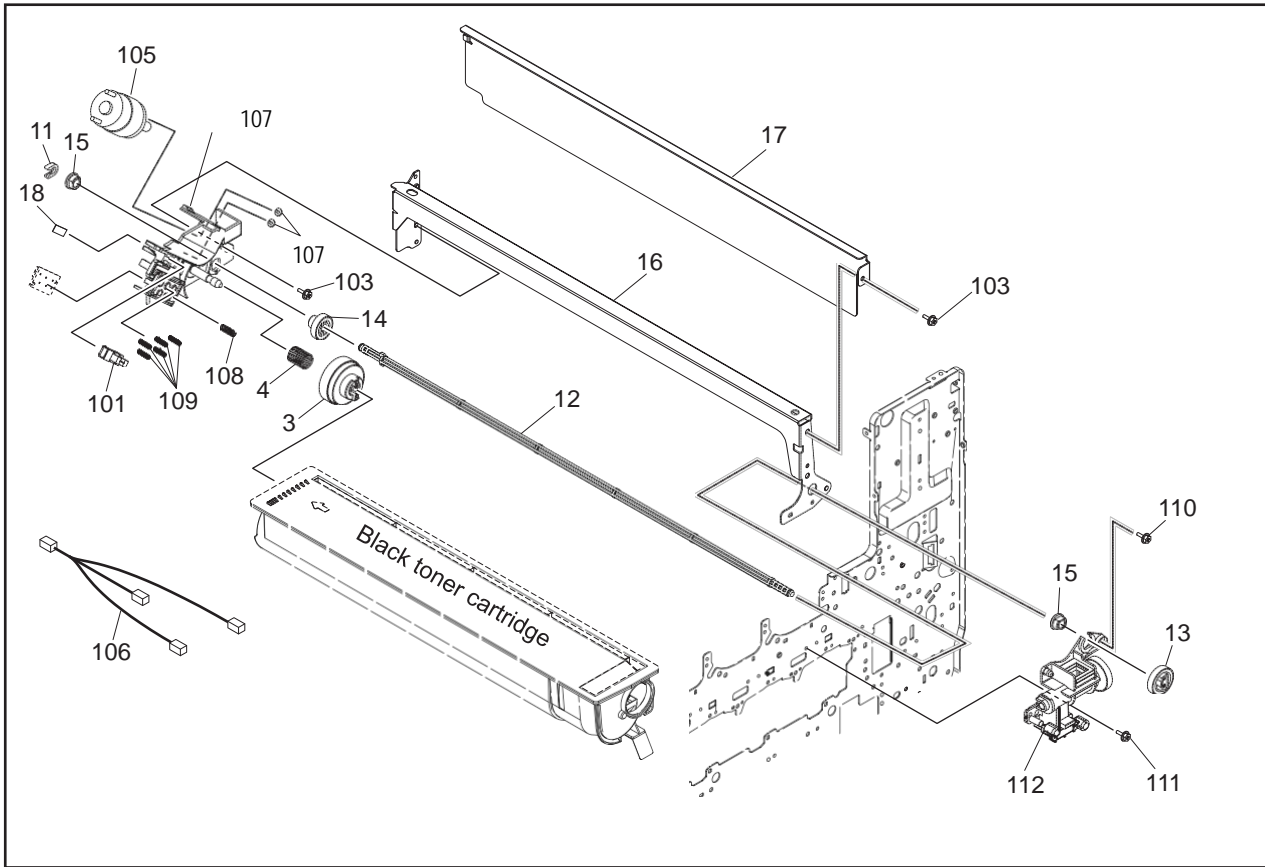
MAIN-CHARGER-ASY

ITEM No.	PART No.	PART NAME	Q'TY / PAGE	Q'TY / PACK	REMARKS
1		ASYS-CHARGR-MAIN-SEAL-14X	1	1/C	
2		TERM-CHARGR-MAIN-FRT	1	1/P	
3		TERM-CHARGR-MAIN-RER	1	1/P	
5		SPG-F-CHARGR-EPU-RER	1	1/P	
6		ELCTRD-CHARGR-MAIN-380	1	1/KP	
7		SPG-E-4XR5X11R2-CHARGR	1	5/P	
8		SEESAW-GRID-ELCTRD	1	1/P	
10		LID-CHARGR-MAIN-RER	1	5/P	
11		SHEET-ERASE-CHARGR	1	1/KP	
13	<b>51036801</b>	<b>ROD-CHARGR-CLNR-F45X</b>	1	1/P	
14		GRID-CHARGR-MAIN-H14X	1	1/KP	
15		FILM-CLNR-GRID-F45X	2	1/P	
101		S/TPP/PAN-3X6-NI	2	10/P	
102		ASYB-CHARGR-MAIN-H14X	1	1/C	

This Illustrated Parts Manual is to be used for part identification. Part numbers for the most often used parts are listed. To obtain parts for items that do not list an associated part number contact:

**Oki Data Technical Support at 866.654.1725**  
for specific part numbers and part ordering information

# TONER-1-ASY



TONER-1-ASY

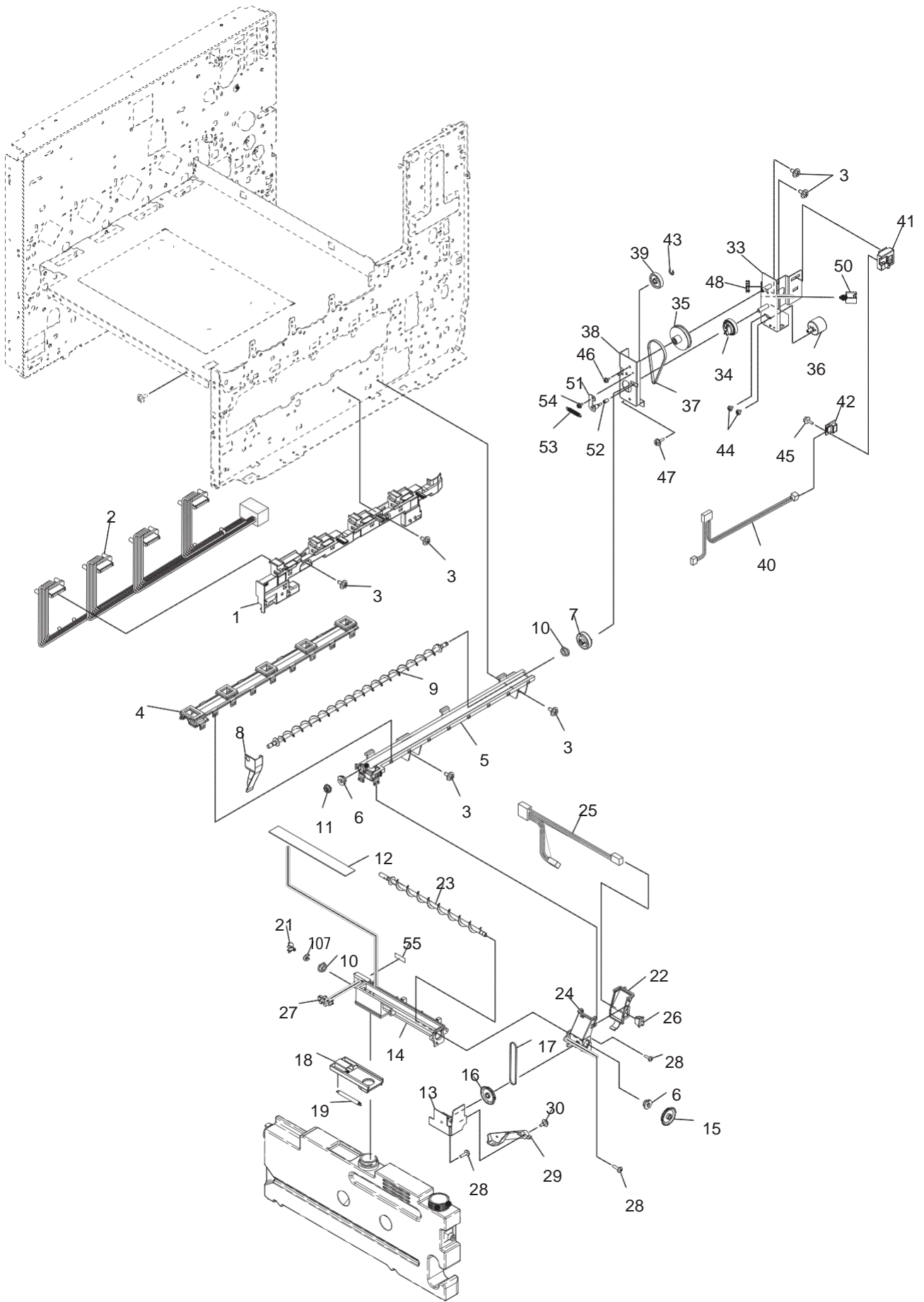
ITEM No.	PART No.	PART NAME	Q'TY / PAGE	Q'TY / PACK	REMARKS
3 A		GEAR-5H68_8S39-6-F45X-E	1	1/P	
3 C		GEAR-5H68_8S39-6-F45X-U	1	1/P	
3 D		GEAR-5H68_8S39-6-F45X-D	1	1/P	
4		SPG-C-11R8XR8X24R	1	1/P	
11		STOP-RING-6-5	2	5/P	
12		SHAFT-DRIVE-F380	1	1/P	
13		GEAR-8H18-6-D	1	1/P	
14		GEAR-8S21-6-H14X	1	1/P	
15		BUSH-6-POM	2	5/P	
16		STAY-TNR-H14X	1	1/P	
17		ASYS-PLATE-KTNR-H14X	1	1/C	
18		MYLAR-SW-RGST-2	1	5/P	
101	55630501	GP1A73ARJ00F S/BID-	1	1/P	
102		M2.6X3-NI	2	10/P	
103		S/TPD3/FHEXM-3X8-ZU3	2	10/P	
104		ASYS-HOLDER-TNRDRV-H14X	1	1/P	
105	56527504	ASYS-MOTRD-TNR-470	1	1/C	
106		HRNS-TNRIC-140	1	1/P	
107		PWA-H-CTIF-150	1	1/C	
108		SPRING-TNR-IC-G-H14X	1	1/P	
109		SPRING-TNR-IC-H14X	5	1/P	
110		SCREW-M3-FUS-C	1	5/P	
111		S/TPS/FHEXM/R-4X8-ZU3	1	10/P	
112		ASYB-TNRPATH-F45X	1	1/C	

This Illustrated Parts Manual is to be used for part identification. Part numbers for the most often used parts are listed. To obtain parts for items that do not list an associated part number contact:

**Oki Data Technical Support at 866.654.1725**  
for specific part numbers and part ordering information



# TONER-2-ASY



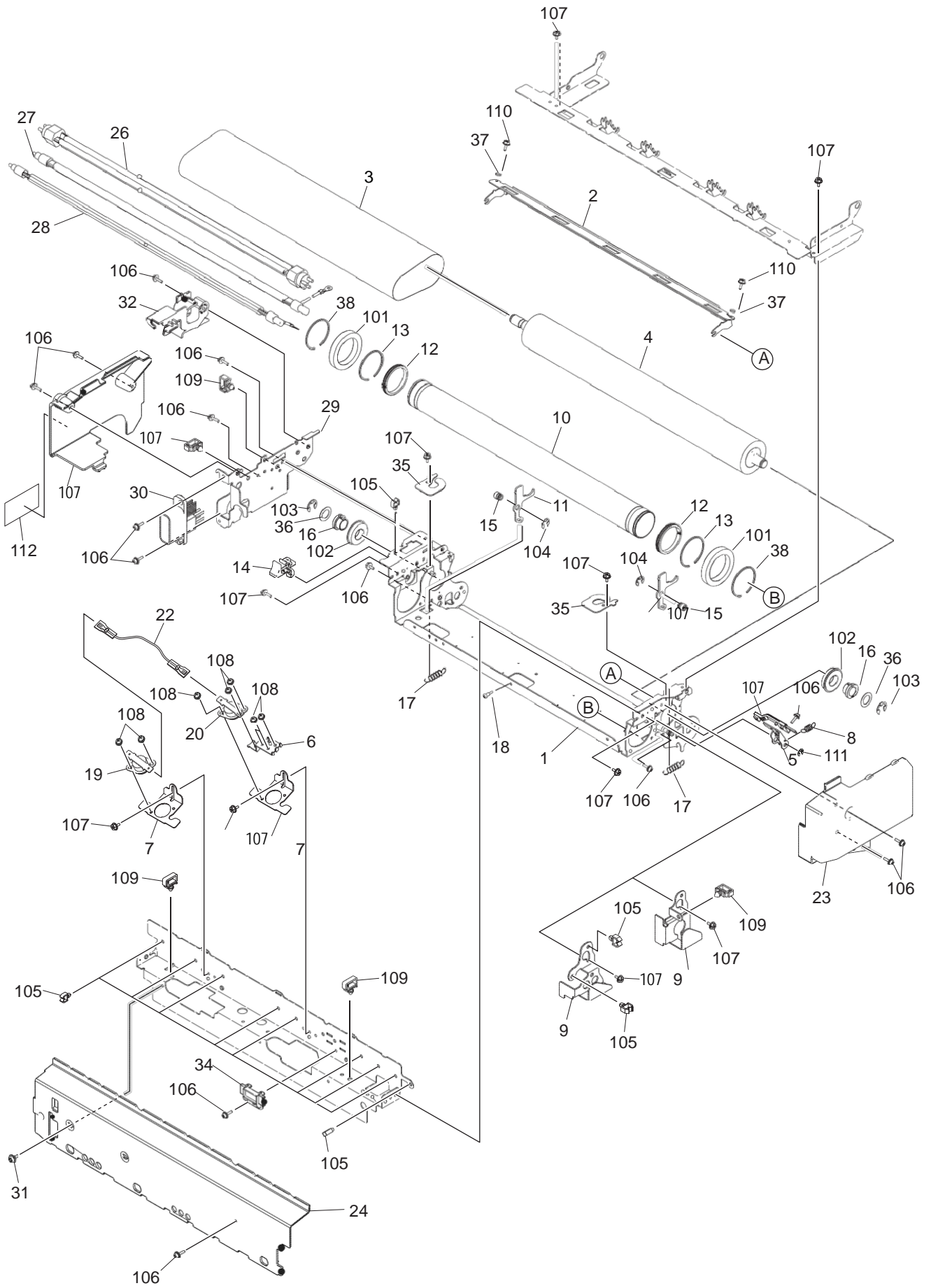
TONER-2-ASY

ITEM No.	PART No.	PART NAME	Q'TY / PAGE	Q'TY / PACK	REMARKS
1		COVER-INNR-DRW-H14X	1	1/P	
2		HRNS-EPU-450	1	1/P	
3		S/TPS/FHEXM/R-4X8-ZU3	6	10/P	
4		ASYS-CASE-DUCT-TOP	1	1/PP	
5		CASE-DUCT-AUG-WTNR	1	1/PP	
6		ASYS-BUSH-6X12X6F-M	2	1/P	
7		COUPL-AUG-WTNR	1	1/P	
8		CLNR-WTNR-DUCT-2	1	1/P	
9		AUGER-WTNR-FRT	1	1/KP	
10		BUSH-0612*06F-M	2	5/P	
11		PULLY-2GT19-6	1	1/P	
12		ASYS-LID-WTNR	1	1/P	
13		ASYS-GEAR-PLT	1	1/P	
14		ASYS-WPIPE-45X	1	1/PP	
15		GEAR-10S33-6D	1	1/P	
16		GEAR-10S33-P2GT19-6	1	1/P	
17		BLT_SY-176-2GT-2	1	1/P	
18		ASYS-SHUT-WTNR	1	1/P	
19		SPG-E-SHUT-WTNR	1	1/P	
20		STOP-RING-6-5	1	5/P	
21		ACTR-U-PADL-SNR	1	1/P	
22		LID-DUCT-F45X	1	1/P	
23		AUGER-WTNR-F45X	1	1/PP	
24		DUCT-VT-F45X	1	1/P	
25		HRNS-AUGLCK-450	1	1/P	
26	55630501	CS1A-B2CA	1	1/D	
27		GP1A73ARJ00F	1	1/P	
28		S/TPP/BID-3X8-NI	3	10/P	
29		ACTR-COV-OPEN	1	1/P	
30		SCREW-BKT-DEV	1	10/P	
33	56527503	ASYS-BRKT-DRV-WTNR	1	1/P	
34		GEAR-5H49-CPL	1	1/P	
35		GEAR-5H21_P2GT60-6	1	1/P	
36		MOTRD-AUG-450CW	1	1/D	
37		BLT_SY-202-2GT-4	1	1/P	
38		ASYS-BRKT-DRV-WTNR-SUB	1	1/P	
39		GEAR-5H47-6	1	1/P	
40		HRNS-AUGMTR-450	1	1/P	
41		HLDR-SENS-THERM	1	1/P	
42		CHS-CSC-20	1	1/C	
43		RR/E-5-SS	1	10/P	
44		S/PAN-M2.6X2.5-NI	2	10/P	
45		S/TPP/FHEXM-3X8-NI	1	10/P	
46		S/FHEXM-M3X6-NI	1	10/P	
47		S/TPD3/FHEXM-3X8-ZU3	1	10/P	
48		ES-0505	1	5/P	
50		MSB-1207	1	5/P	
51		ASYS-BRKT-DRV-TENS	1	1/P	
52		COLLAR-DEV-TENS	1	5/P	
53		SPG-E-5XR35X20R3	1	1/P	
54		SCREW-M3-TENS	1	10/P	
55		MYLAR-SW-RGST-2	1	5/P	

This Illustrated Parts Manual is to be used for part identification. Part numbers for the most often used parts are listed. To obtain parts for items that do not list an associated part number contact:

**Oki Data Technical Support at 866.654.1725**  
for specific part numbers and part ordering information

# FUSER-1-ASY



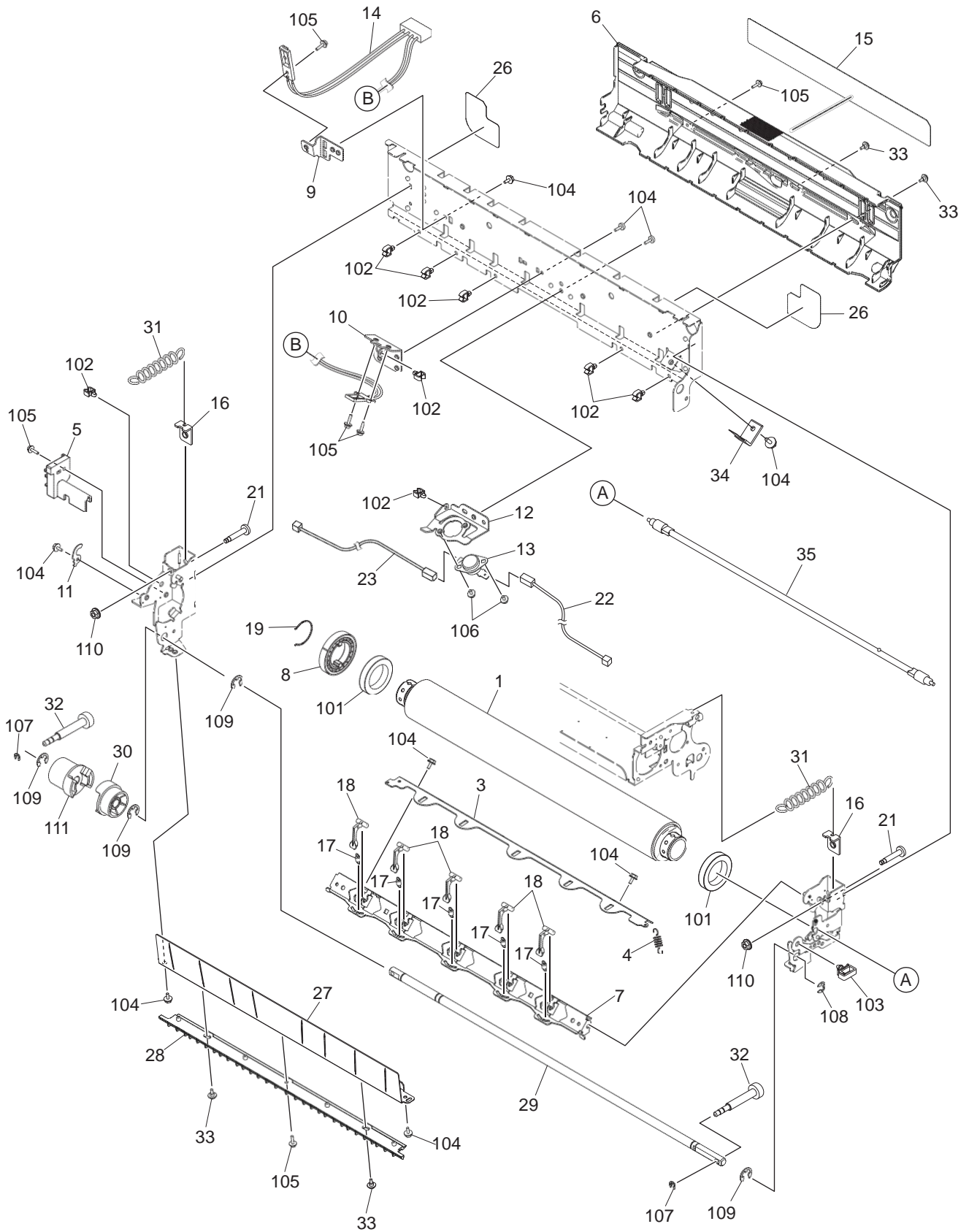
## FUSER-1-ASY

ITEM No.	PART No.	PART NAME	Q'TY / PAGE	Q'TY / PACK	REMARKS
1	51312901 53367104	ASYS-FRM-FUS-450	1	1/PP	
2		ASYS-SEP-AJ6-7A	1	1/P	
3		BT-FC35-FU	1	1/S	
4		FR-FC28-U	1	1/S	
5		BRKT-FUS-SEN-IN-45X	1	1/P	
6		BRKT-THRM-LAMP-454	1	1/P	
7		BRKT-HR-TMS	2	1/P	
8		SPG-E-FUS-SEN-45X	1	1/P	
9 A		BRKT-LAMP-F-454T	1	1/P	
9 B		BRKT-LAMP-F-450-S	1	1/P	
10	53367303	ROLL-HT-14X	1	1/C	
11		BRKT-TEN-SP	2	1/P	
12		COLLAR-HR-T1 (Maintenance Kit Item)	2	1/P	
13		CRR-HR-CLR-K2	2	1/P	
14		COV-HNS-R-45X	1	1/P	
15	55631503	STUD-TEN-SP	2	1/P	
16		BUSH-FUS-FR2	2	1/P	
17		SPG-E-FUS-HR	2	1/P	
18		SCREW-M3-D3.5X5.5	1	10/P	
19		THRMST-HTR2-380	1	1/C	
20	55631502	THRMST-HTR1-380	1	1/C	
21	55631601	THMS-FUS-BELT-E-450	1	1/C	
22		HRNS-FUS-HTR-C-380	1	1/P	
23		COVER-FUS-F-FC	1	1/P	
24		COVER-FUS-B-FC	1	1/P	
25	56128003	COVER-FUS-R-FC	1	1/P	
26 A		LAMP-TRIPLE-115-454	1	1/C	CX4545 ONLY
26 B		LAMP-TRIPLE-230-454	1	1/C	
27 A	56128001	LAMP-C-115-K2	1	1/C	CX3535 ONLY
27 B		LAMP-C-230-K2	1	1/C	
28 A	56128002	LAMP-S-115-K2	1	1/C	CX3535 ONLY
28 B		LAMP-S-230-K2	1	1/C	
29 A		BRKT-LAMP-R-454T	1	1/P	
29 B		BRKT-LAMP-R-450	1	1/P	
30 A		HRNS-DRW1-AC-450	1	1/P	
30 B		HRNS-DRW1B-AC-450	1	1/P	
30 C	HRNS-DRW2-AC-450	1	1/P		
30 D	HRNS-DRW2B-AC-450	1	1/P		
31		SCREW-M3-D4X2.3	1	10/P	
32		COV-FUS-HNS-R-FC	1	1/P	
34		COVER-HRNS-B	1	1/P	
35		SPG-F-PLT-FUS	2	1/P	
36		WASHER-FUSER	2	5/P	
37		SPG-C-SEP-ADJ	2	5/P	
38		CRR-HT/RLR	2	1/P	
101			6806ZZS1C4KZ BEARING	2	1/P
102	6802ZZNRS1C4K2		2	1/P	
103	RR/E-7-SS		2	10/P	
104	RR/E-5-SS		2	10/P	
105 A	UAMS-05L-0-46		10	10/P	
105 B		UAMS-05L-0-46	12	10/P	
106		S/PAN/SWWP-M3X10-NI	14	10/P	
107		S/FHEXM-M3X6-NI	9	10/P	
108		USUITA-SEMS-3X5-6	8	5/P	
109		PLWS-1-46B	5	5/P	
110		S/TPS/FHEXM/R-3X8-ZU3	2	10/P	
111		RR/E-3-SS	1	10/P	
112		LBL-CAU-GREASE-FUS	1	1/KP	

This Illustrated Parts Manual is to be used for part identification. Part numbers for the most often used parts are listed. To obtain parts for items that do not list an associated part number contact:

**Oki Data Technical Support at 866.654.1725**  
for specific part numbers and part ordering information

# FUSER-2-ASY



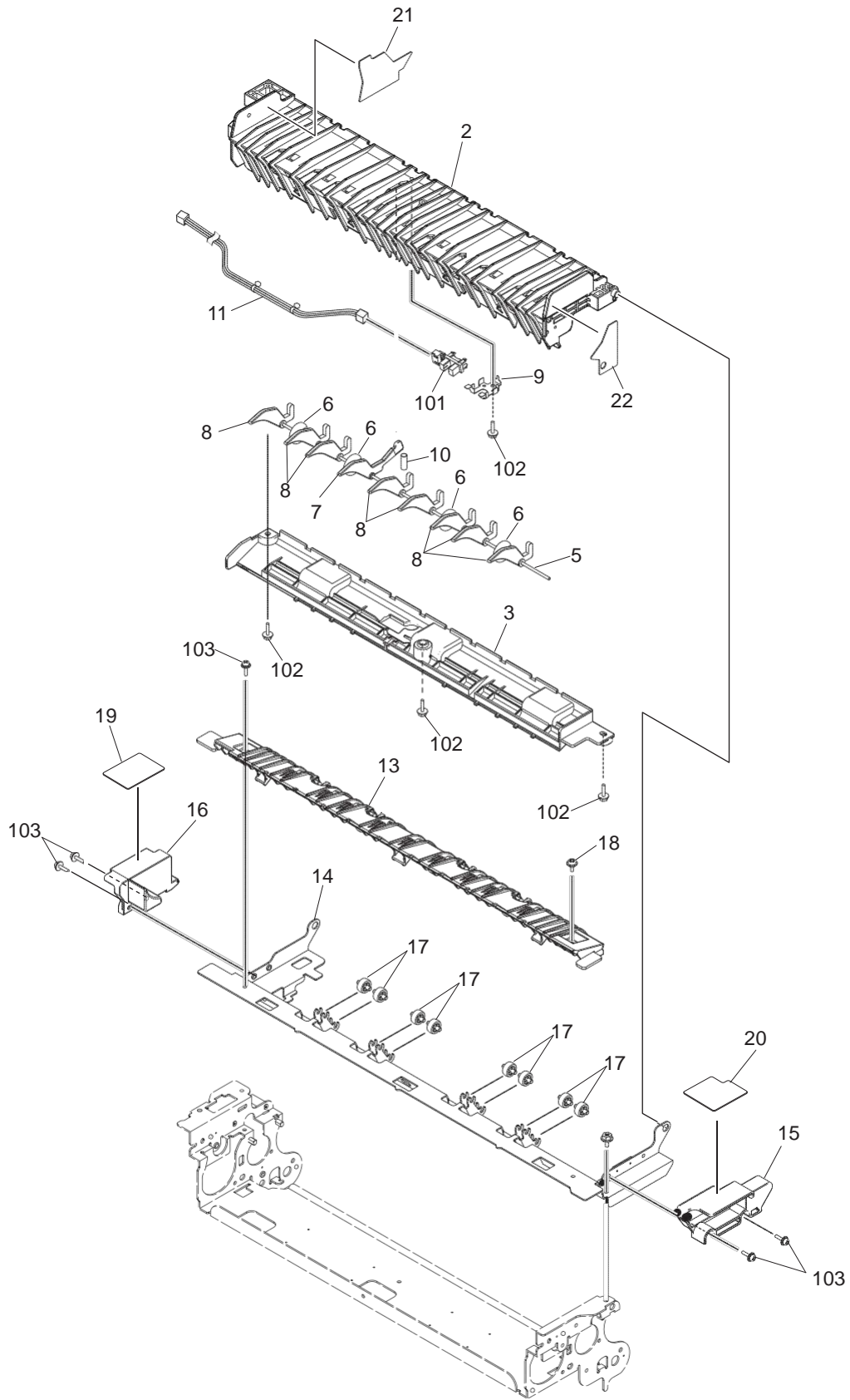
## FUSER-2-ASY

ITEM No.	PART No.	PART NAME	Q'TY / PAGE	Q'TY / PACK	REMARKS	
1	53367206	HR-FC28-L	1	1/S		
3		COV-PR-SCR-450-T	1	1/P		
4		SPG-E-FUS-SCR-45X	1	1/P		
5		COVER-PR-HNS-R-FC	1	1/P		
6		COVER-PR-450M-FC	1	1/PP		
7		BRKT-SCRPR-PR-450	1	1/P		
8		GEAR-10S40-FUS-EX	1	1/P		
9		BRKT-PR-THM-450-E	1	1/P		
10		BRKT-PR-SEN-NT	1	1/P		
11		BRKT-LAMP-HLD	1	1/P		
12	55631501	BRKT-PR-ELEC-K2	1	1/P		
13		THRMST-PRS-380	1	1/C		
14 A		55631602	THMS-PRS-450	1	1/C	
14 B		55631603	THMS-PRS-454	1	1/C	
15 A			LBL-HOT-45X	1	1/KP	
16		BRKT-PR-SPR-450	2	1/P		
17		SPG-E-SCRPR-F450	5	1/P		
18		SCRAPR-FUS-350	5	5/P		
19		SPR-PRESS-BRG	1	5/P		
21		SCREW-PR-H14X	2	1/P		
22		HRNS-FUS-PRS-F-380	1	1/P		
23		HRNS-FUS-PRS-R-380	1	1/P		
26		SHEET-COV-PR	2	1/P		
27		GUIDE-ENT-PR-450-V	1	1/P		
28		GUIDE-ENT-FUS-FC	1	1/KP		
29		SHAFT-FUS-EX	1	1/P		
30		GEAR-10S29-PR SPG-	1	1/P		
31		E-FUS-PR SCREW-	2	1/P		
32		SFT-8-V-H14X SCREW-	2	1/P		
33		M3-D4X2.3	4	10/P		
34	56128004	BRUSH-FUSER	1	1/C		
35 A		LAMP-PR-115-45X	1	1/C		
35 B		LAMP-PR-230-45X	1	1/C		
101		6805ZZS1C4KZ (Bearing)	2	1/P		
102		UAMS-05L-0-46	8	10/P		
103		PLWS-1-46B	1	5/P		
104		S/FHEXM-M3X6-NI	9	10/P		
105		S/PAN/SWWP-M3X10-NI	6	10/P		
106		USUITA-SEMS-3X5-6	2	5/P		
107		RR/E-3-SS	2	10/P		
108		RR/E-5-SS	1	10/P		
109		RR/E-7-SS	4	10/P		
110		NUT-FUS-PR-LEFT-H14X	2	5/P		
111		GEAR-10S29-IDL	1	1/P		

This Illustrated Parts Manual is to be used for part identification. Part numbers for the most often used parts are listed. To obtain parts for items that do not list an associated part number contact:

**Oki Data Technical Support at 866.654.1725**  
for specific part numbers and part ordering information

# FUSER-3-ASY



FUSER-3-ASY

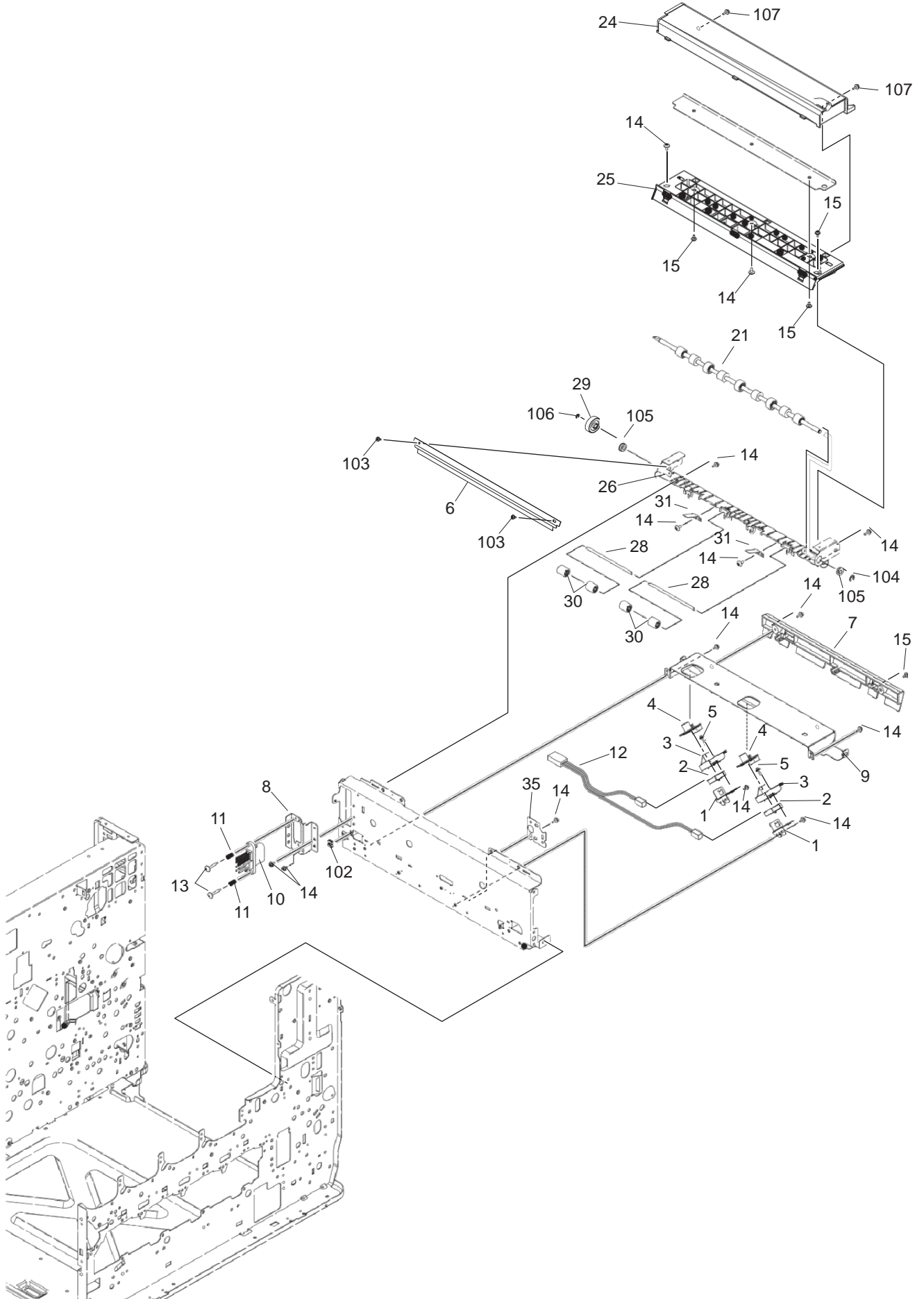
ITEM No.	PART No.	PART NAME	Q'TY / PAGE	Q'TY / PACK	REMARKS
2		GUIDE-EXIT-RTN-FC	1	1/PP	
3		COVER-GUIDE-RTN-L-FC	1	1/PP	
5		SHAFT-GATE	1	1/P	
6		ROLL-GUIDE-RTN	4	1/P	
7		GATE-FUSER-SEN	1	1/P	
8		GATE-FUSER	8	1/P	
9		SPG-F-HLD-SEN-H14X	1	1/P	
10		SPG-C-4R46XR15X17R3	1	5/P	
11		HRNS-EXITSW-140	1	1/P	
13		GUIDE-EXIT-U-FC	1	1/PP	
14		ASYS-BRKT-FUS-CLN	1	1/P	
15		COV-HAND-FUS-F	1	1/P	
16		COV-HAND-FUS-R	1	1/P	
17		ROLL-FUS-GUIDE	8	1/P	
18		SCREW-M3-D4X2.3	1	10/P	
19		SHEET-FUS-R	1	5/P	
20		SHEET-FUS-F	1	5/P	
21		SHEET-FUS-OPEN-14X	1	1/P	
22		SHEET-FUS-F2-14X	1	1/P	
101	50429001	LG248NL2 (Sensor)	1	1/C	
102		S/TPP/FHEXM-3X10-NI	4	10/P	
103		S/PAN/SWWP-M3X10-NI	5	10/P	

This Illustrated Parts Manual is to be used for part identification. Part numbers for the most often used parts are listed. To obtain parts for items that do not list an associated part number contact:

**Oki Data Technical Support at 866.654.1725**  
for specific part numbers and part ordering information



# FUSER SATY&GUIDE EXIT-ASY



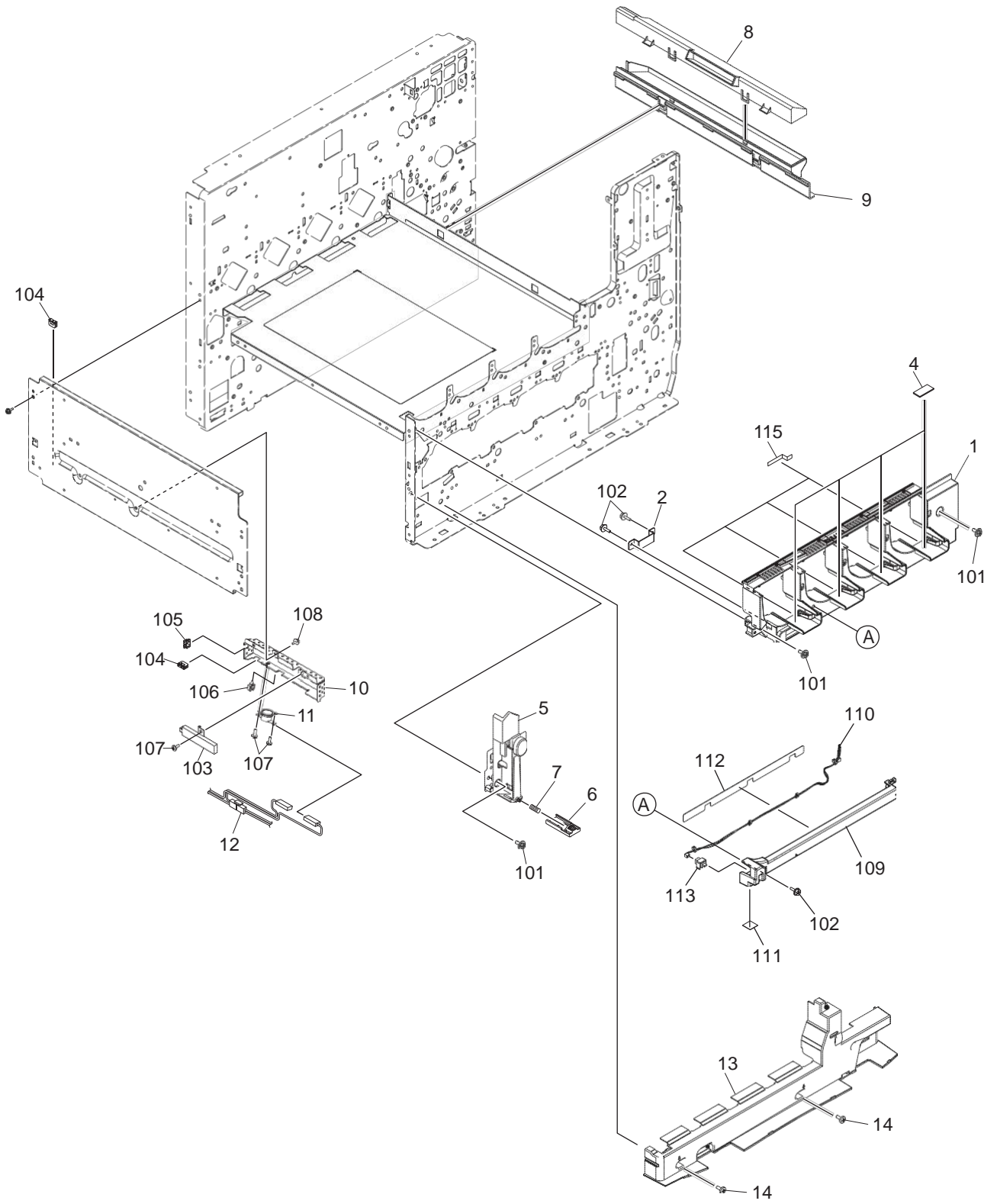
FUSER SATY&GUIDE EXIT-ASY

ITEM No.	PART No.	PART NAME	Q'TY / PAGE	Q'TY / PACK	REMARKS
1		BRKT-SEN-FUS	1	1/P	
2		BASE-SEN-FC	2	1/P	
3		HLDER-SEN-FC	2	1/P	
4		SNR-THRMO-380	1	1/C	
5		S/PAN/SWWP-M3X14-NI	2	10/P	
6		BRUSH-EXIT-380	1	1/KP	
7		GUIDE-STAY-FUS-FC	1	1/P	
8 A		BRKT-STAY-DRW-450	1	1/P	
8 B		BRKT-STAY-DRW-454	1	1/P	
9		STAY-DUCT-FUS	1	1/P	
10 B		HRNS-LVPS-FSR2-140	1	1/P	
10 C		HRNS-LVPS-FSR1-140	1	1/P	
11		SPC068-080-160	2	5/P	
12		HRNS-THM-450	1	1/P	
13		SCREW-D4-18-M3	2	10/P	
14		SCR-M3X6BISR-NI	14	10/P	
15		SCREW-BKT-DEV	4	10/P	
21	53367302	ASYS-ROLL-EXIT-U	1	1/KP	
24		DUCT-EXIT-COVER	1	1/P	
25		DUCT-EXIT-BASE-FC	1	1/PP	
26		GUIDE-EXIT-EX	1	1/P	
28		SHAFT-EXIT-L	2	1/P	
29		GEAR-10S24-EXIT	1	1/P	
30		RLR-EXIT-L-EX	4	1/P	
31		SPL-EXIT-ROLL-K	2	1/P	
35		BRKT-FUS-VOLT-06	1	1/P	
102		ES-0505	1	5/P	
103		S/BID-M3X6-NI	2	10/P	
104		RR/E-5-SS	1	10/P	
105		BUSH-6-NU4	2	1/P	
106		RR/E-3-SS	1	10/P	
107		S/TPP/FHEXM-3X8-NI	2	10/P	

This Illustrated Parts Manual is to be used for part identification. Part numbers for the most often used parts are listed. To obtain parts for items that do not list an associated part number contact:

**Oki Data Technical Support at 866.654.1725**  
for specific part numbers and part ordering information

# INNER-COVER-ASY



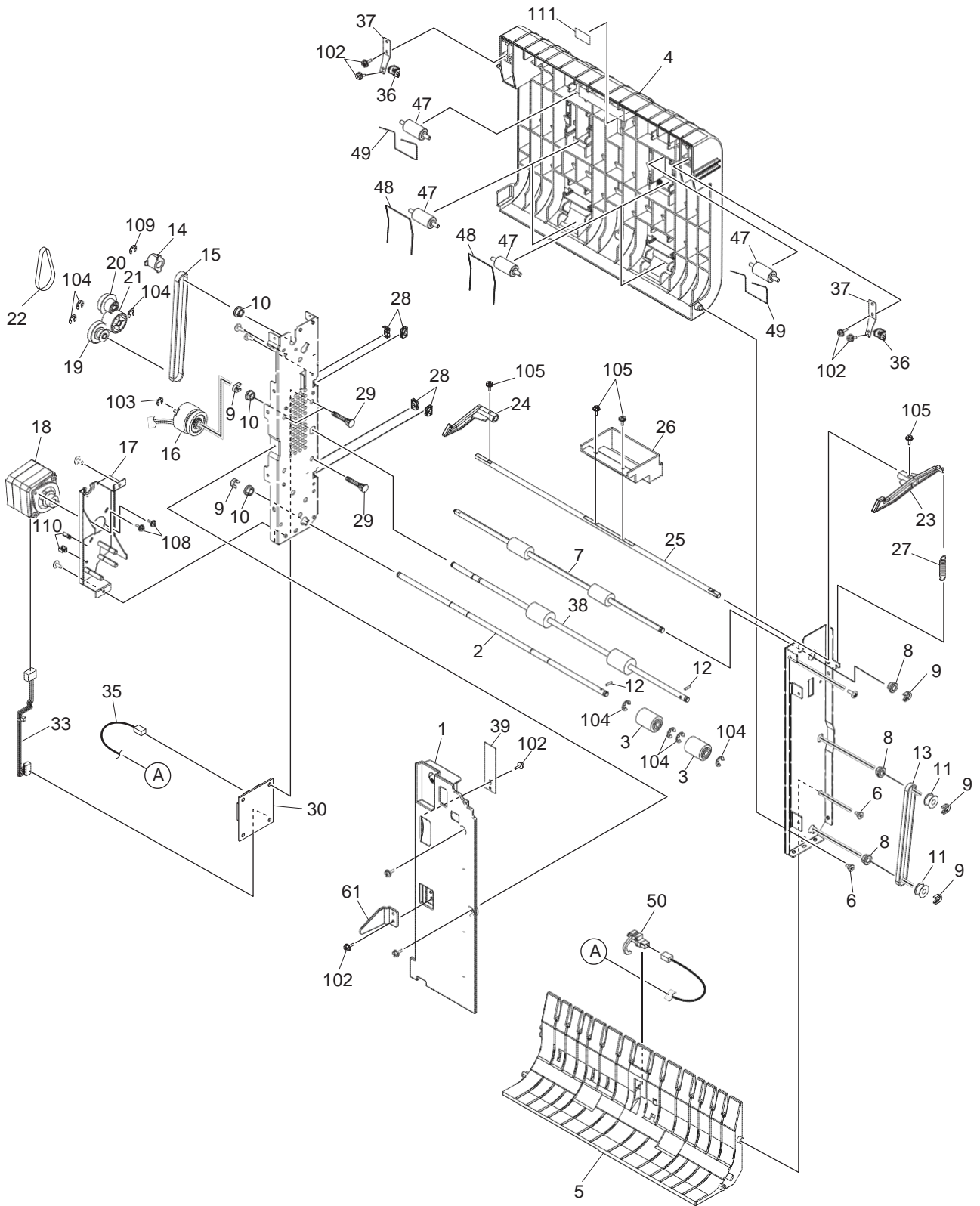
INNER-COVER-ASY

ITEM No.	PART No.	PART NAME	Q'TY / PAGE	Q'TY / PACK	REMARKS
1		COVER-INFRT-380D	1	1/PP	
2		PLATE-MG	1	1/P	
4		SEAL-COVIN-380	4	1/P	
5		ASYS-DUCT-TBU-H14X	1	1/PP	
6		ASYS-SHUT-UTNR	1	1/P	
7		SPG-C-SHUT-TNR-CR	1	1/P	
8		DUCT-TNR-UPR-450	1	1/D	
9		DUCT-TNR-LWR-450	1	1/PP	
10 A		BRKT-DH-EXIT-380	1	1/P	
11 A		THRMST-CS-7SA	1	1/C	
12 A		HRNS-DHT-EXIT-450	1	1/P	
13 A		COVER-INNR-BLIND-F45X	1	1/PP	
13 B		ASYS-COV-INNR-BLIND-454	1	1/PP	
14		S/TPP/BID-4X8-NI	2	10/P	
101		S/TPS/FHEXM/R-4X8-ZU3	3	10/P	
102		S/TPP/FHEXM-3X8-NI	3	10/P	
103 A		HF05N442	1	1/D	
104 A		ES-0505	1	5/P	
104 B		ES-0505	2	5/P	
105 A		EDS-0607M	1	5/P	
106 A		UAMS-05SN 142SH BLK	1	5/P	
107 A		S/TPS/BID-3X6-ZU3	3	10/P	
108 A		S/TPD3/FHEXM-3X6-ZU3	1	10/P	
109		HLDR-SW-INFRT-H14X	1	1/P	
110		HRNS-FRCOSW-140	1	1/P	
111		SHEET-LID-HRNS-INFRT-H14X	1	1/P	
112		SHEET-STOP-SW-INFRT-H14X	1	1/P	
113		SP-CS3A-B2BA	1	1/D	
115		SHEET-INNER-380	1	1/P	

This Illustrated Parts Manual is to be used for part identification. Part numbers for the most often used parts are listed. To obtain parts for items that do not list an associated part number contact:

**Oki Data Technical Support at 866.654.1725**  
for specific part numbers and part ordering information

# ADU-ASY-1



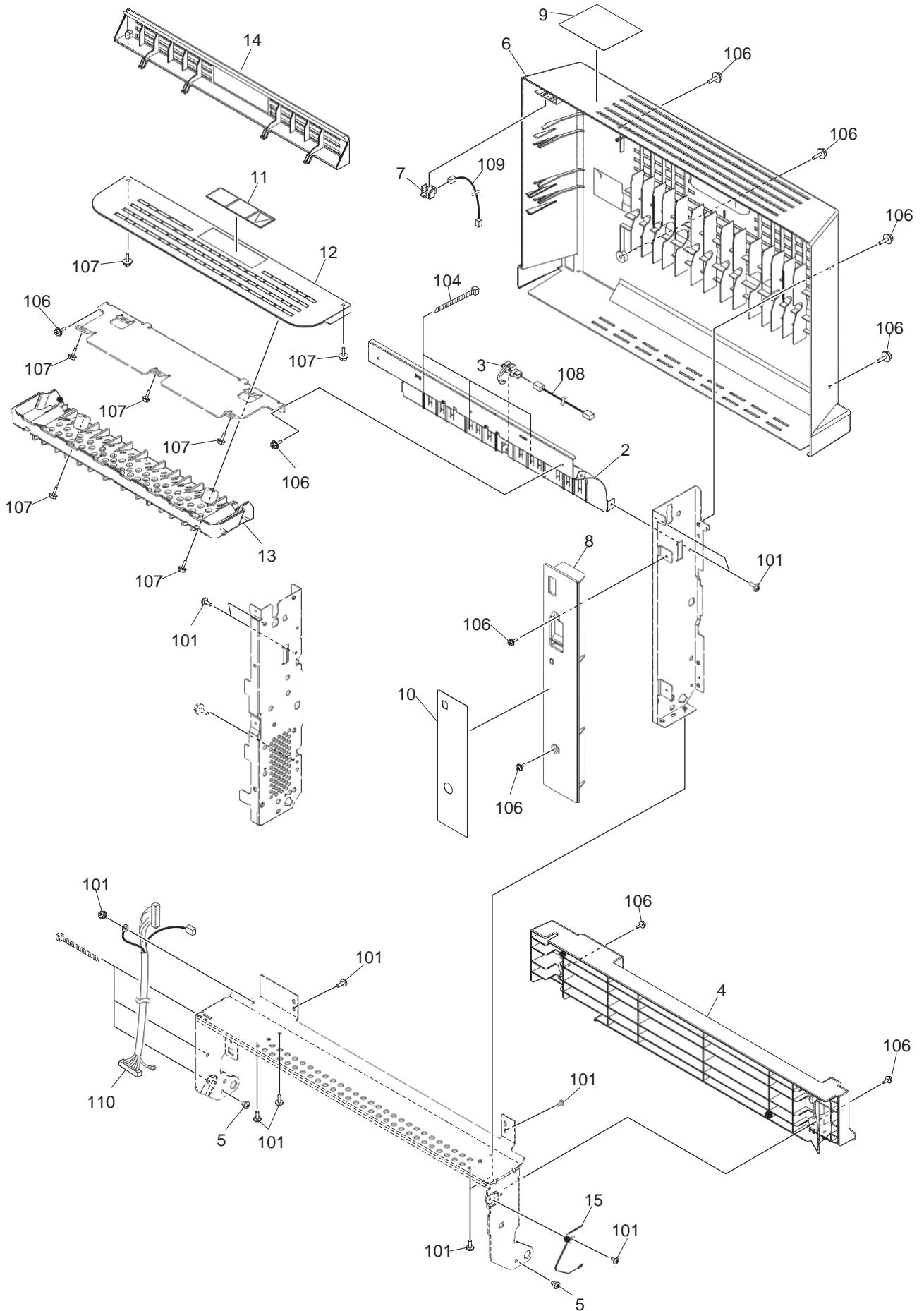
## ADU-ASY-1

ITEM No.	PART No.	PART NAME	Q'TY / PAGE	Q'TY / PACK	REMARKS
1	53367101	COV-IN-R-380	1	1/PP	
2		SFT-TR-L-20	1	1/P	
3		ROL-TR-CLT-ADU-DK	2	1/P	
4		GUIDE-P-IN-DK-B2	1	1/PP	
5		GUIDE-PAPER-L32D	1	1/P	
6		SCREW-CASET	2	5/P	
7		ROLL-TR-U-16	1	1/KP	
8		BUSH-6-NU4	3	1/P	
9		STOP-RING-6-5	5	5/P	
10		BUSH-6-POM	3	5/P	
11		PLY/T-2GT020-6F	2	1/P	
12		P/PRL/AH7-2X8-SS	2	10/P	
13		BLT/T-286-2GT-5	1	1/P	
14		PLY/T-2GT016-6F	1	1/P	
15		BLT/T-258-2GT-5	1	1/P	
16	51403709	CLUTCH-50R-G28-6	1	1/D	
17	56527601	ASYS-BKT-MOT-ADU-H14X	1	1/P	
18		ASYS-MOTR-S-ADU-H14X	1	1/C	
19		GEAR-10S28-P2GT20-6	1	1/P	
20		GEAR-10S15-PS2M39-6	1	1/P	
21		GEAR-10S28-06	1	1/P	
22		BLT-SY-S2M-120-4	1	1/P	
23		LEVER-LATCH-F	1	1/P	
24		LEVER-LATCH-R32	1	1/P	
25		SHAFT-OPEN-350	1	1/P	
26	55120701	LEVER-OPEN-H14X	1	1/P	
27		SPE-068-070-241	1	1/P	
28		ES-0505	4	5/P	
29		KGLS-24RTV0	3	5/P	
30		PWA-H-ADU-140	1	1/SB	
33	53367301	HRNS-ADU-MOT-140	1	1/P	
35		HRNS-ADU-FED-U-140	1	1/P	
36		SPCR-SPL-GUIDE-380	2	1/P	
37		SPL-GUIDE-IN-380	2	1/P	
38		ROLL-TRANS-C-H140	1	1/KP	
39		SPL-ADU-H14X	1	1/P	
47		ROLL-TRANS-IDLE-371	6	1/P	
48		SPR-IDLE SPR-	4	1/C	
49		IDLE-U SNSR-	2	1/D	
50		FED-390	1	1/P	
61		PLATE-PUSH-INT	1	1/P	
102		S/TPP/FHEXM-3X8-NI	6	10/P	
103		RR/E-4-SS	1	10/P	
104		RR/E-5-SS	7	10/P	
105		S/FHEXM-M3X8-NI	4	10/P	
108		S/FHEXM-M3X6-NI	2	10/P	
109		RR/E-3-SS	1	10/P	
110		MSB-1207	2	5/P	
111		LBL-JAMOP-ADU	1	1/KP	

This Illustrated Parts Manual is to be used for part identification. Part numbers for the most often used parts are listed. To obtain parts for items that do not list an associated part number contact:

**Oki Data Technical Support at 866.654.1725**  
for specific part numbers and part ordering information

# ADU-ASY-2



## ADU-ASY-2

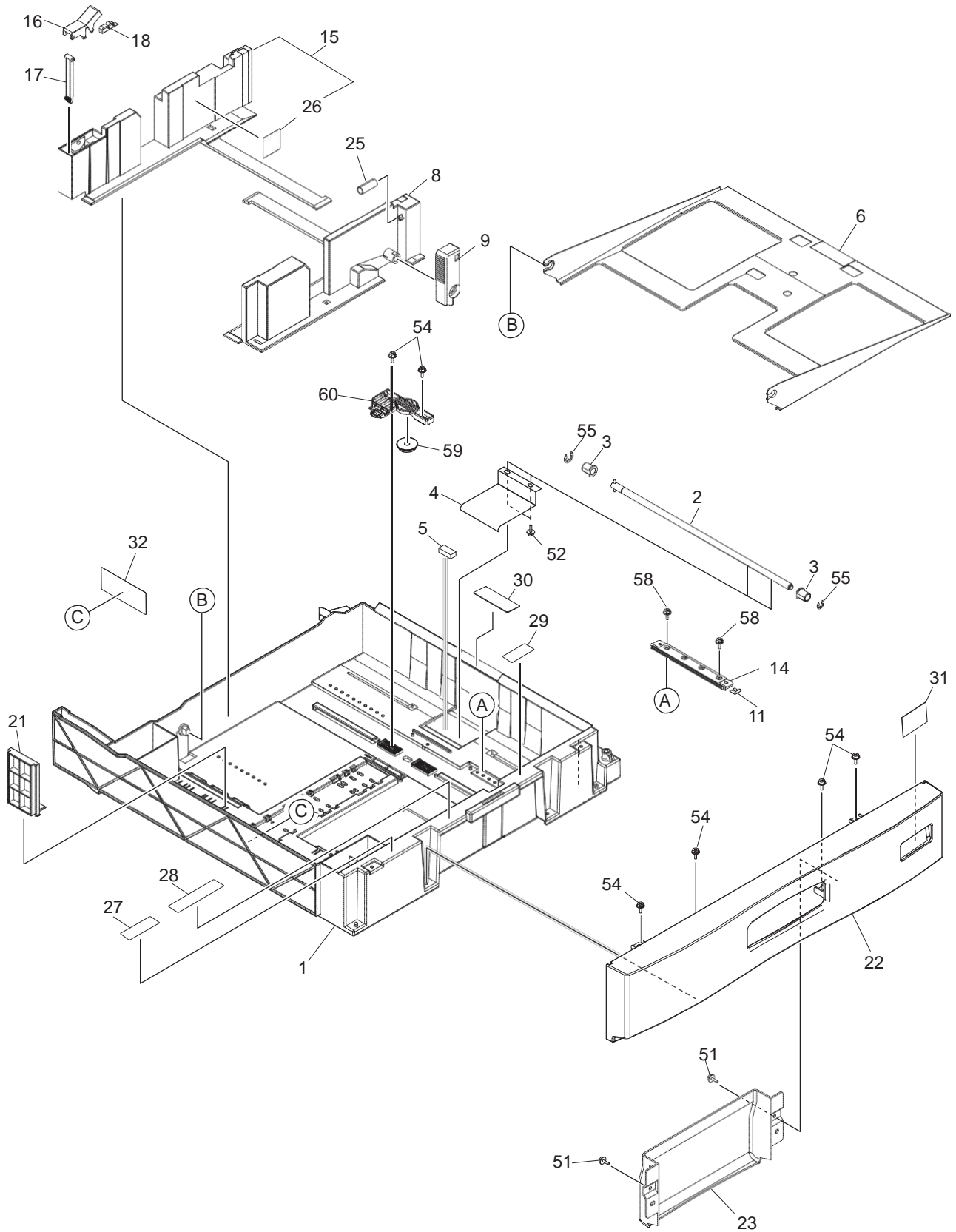
ITEM No.	PART No.	PART NAME	Q'TY / PAGE	Q'TY / PACK	REMARKS
2		GUIDE-P-U-380	1	1/PP	
3		SNSR-FED-390	1	1/P	
4		COVER-ADU-UND-H14X	1	1/PP	
5		SCREW-CH-M	2	10/P	
6		CASE-ADU-H14XD	1	1/PP	
7		SP-CS3A-B2BA	1	1/D	
8		COVER-IN-F-380	1	1/P	
9		LBL_O-PLACE-H14X	1	1/KP	
10		LBL-INST-ADU	1	1/KP	
11		LBL-HOT-410	1	1/KP	
12		COVER-GUIDE-H14X	1	1/PP	
13		GUIDE-RTN-U-FC	1	1/PP	
14		ASYS-COVER-SHLD-H14X	1	1/PP	
15		COVER-BRKT-ADU-380	1	1/P	
101		S/TPS/FHEXM/R-3X6-ZU3	12	10/P	
104		SG-130	3	5/P	
106		S/TPS/FHEXM/R-3X8-ZU3	10	10/P	
107		S/TPP/FHEXM-3X8-NI	7	10/P	
108		HRNS-ADU-FED-L-360	1	1/P	
109		HRNS-ADU-CVSW-140	1	1/P	
110		HRNS-ADU-140	1	1/P	

This Illustrated Parts Manual is to be used for part identification. Part numbers for the most often used parts are listed. To obtain parts for items that do not list an associated part number contact:

**Oki Data Technical Support at 866.654.1725**  
for specific part numbers and part ordering information



# DRAWER-ASY



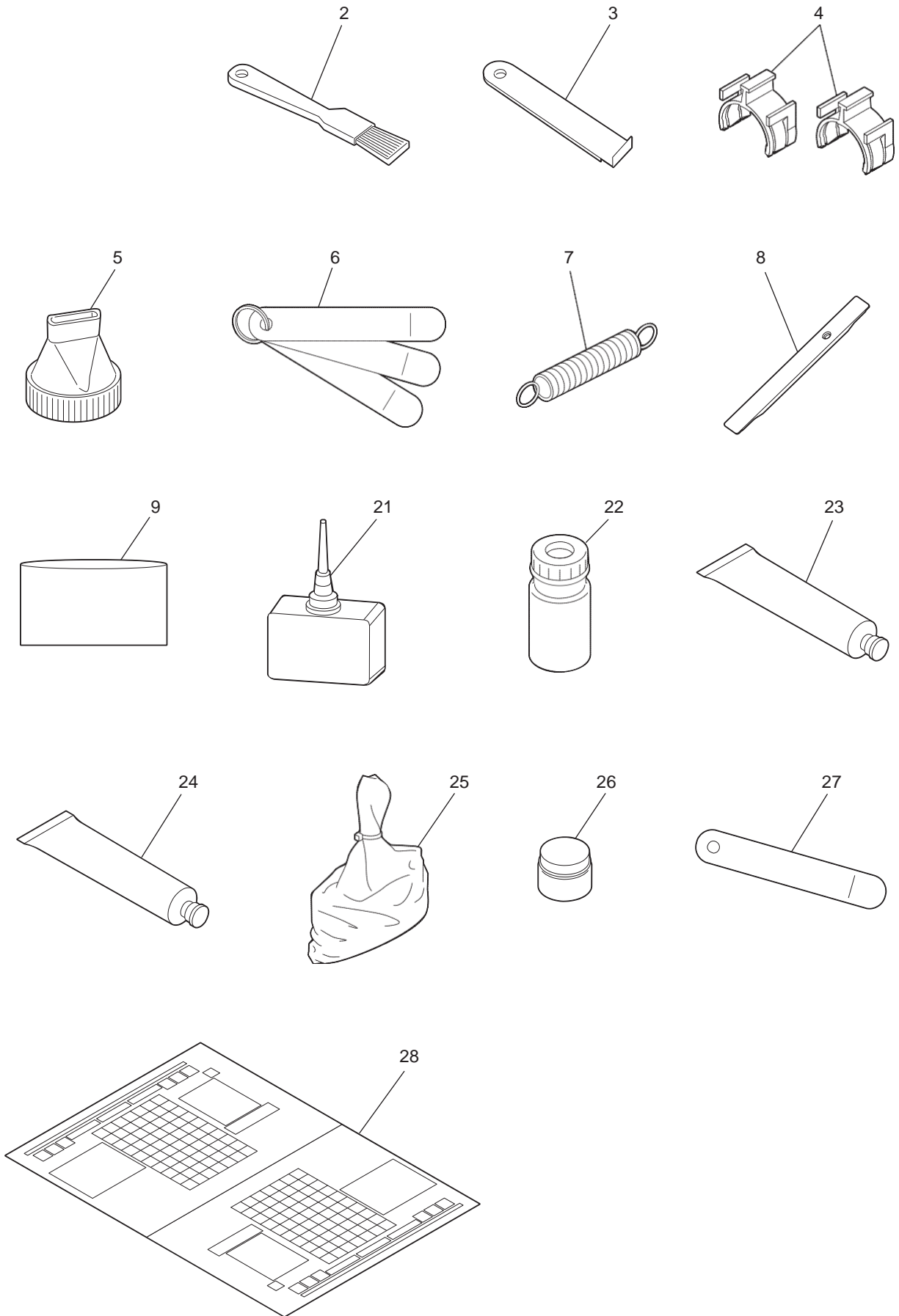
## DRAWER-ASY

ITEM No.	PART No.	PART NAME	Q'TY / PAGE	Q'TY / PACK	REMARKS
1		CASE-CST-TECPW	1	1/PP	
2		K-SFT-LIFT-TRAY	1	1/P	
3		BUSH-SFT-LIFT	2	5/P	
4		LEVER-LIFT-TRAY	1	1/P	
5		CUSH-LVR-LIFT	1	5/P	
6		ASY-TRAY-CST-AT/DM	1	1/PP	
8		ASYS-WALL-SIDE-F-TECPW	1	1/PP	
9		LVR-ADJUST-WALL-MG	1	1/P	
11		SPACER-RACK-CST	1	1/P	
14		PLATE-RACK-CST	1	1/P	
15		ASYS-WALL-SIDE-R-TECPW	1	1/PP	
16		LEVER-LOCK-WALL-RER	1	1/P	
17		LOCK-WALL-R	1	1/P	
18		SPL-LOCK-WALL-R	1	1/P	
21	51118801	WALL-CSSTT-END	1	1/P	
22		COV-CSSTT-450-D	1	1/PP	
23		COV-CSSTT-HNDL-H14XL	1	1/PP	
25		SPC-LVR-WALL-F	1	1/P	
26		LBL/O-P-MAX	1	5/KP	
27		LBL_O-PAPER-2	1	1/KP	
28		LBL_O-GUIDE-2	1	1/KP	
29		LBL_O-GUIDE-CONP-450	1	1/P	
30		SHEET-CST	1	1/KP	
31 A		SIZE-CST-450-LT	1	1/KP	
31 B		SIZE-CST-450-A4	1	1/KP	
32		LBL_O-LD-2	1	1/KP	
51		S/TPP/FHEXM-3X6-NI	2	10/P	
52		S/BID-M3X8-NI	2	10/P	
54		S/TPP/FHEXM-3X8-NI	6	10/P	
55		RR/E-7-SS	2	10/P	
58		S/TPP/BID-3X6-NC	2	10/P	
59		GER-PINION-20-AT	1	1/P	
60		HOLDER-CST-PINION	1	1/P	

This Illustrated Parts Manual is to be used for part identification. Part numbers for the most often used parts are listed. To obtain parts for items that do not list an associated part number contact:

**Oki Data Technical Support at 866.654.1725**  
for specific part numbers and part ordering information

# JIGS & GREASE



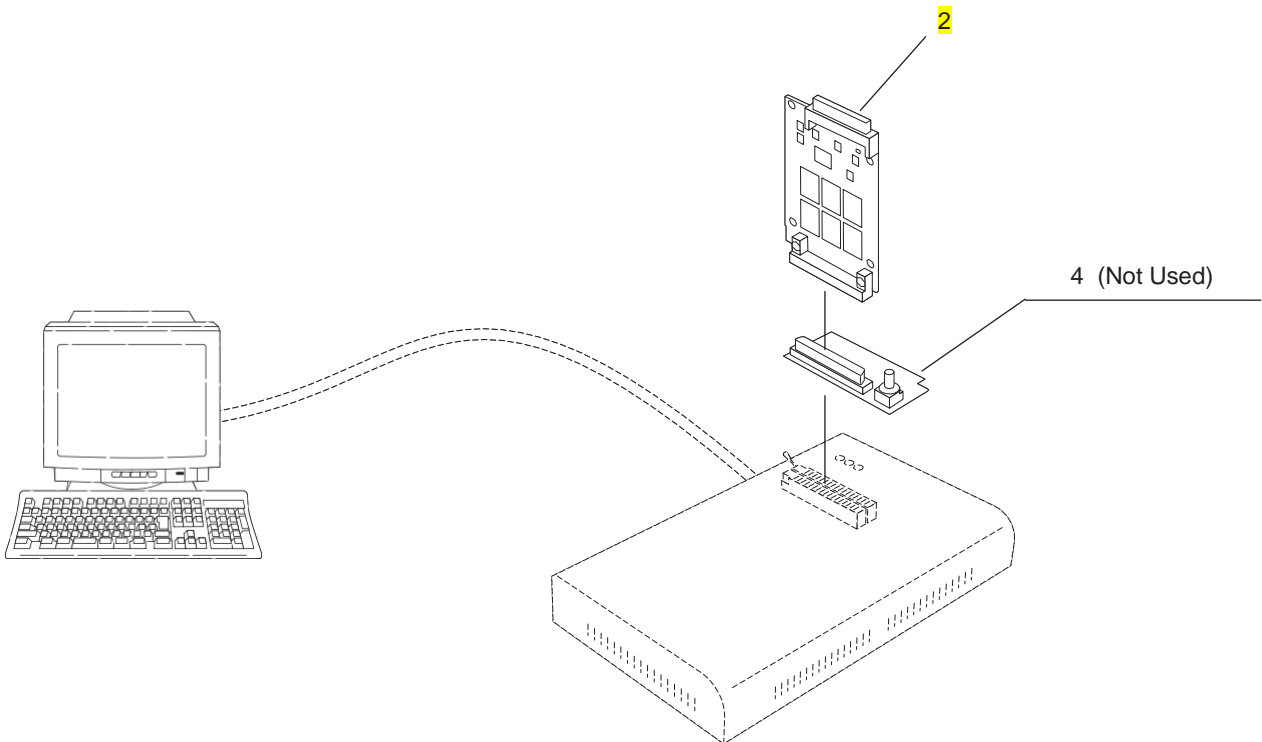
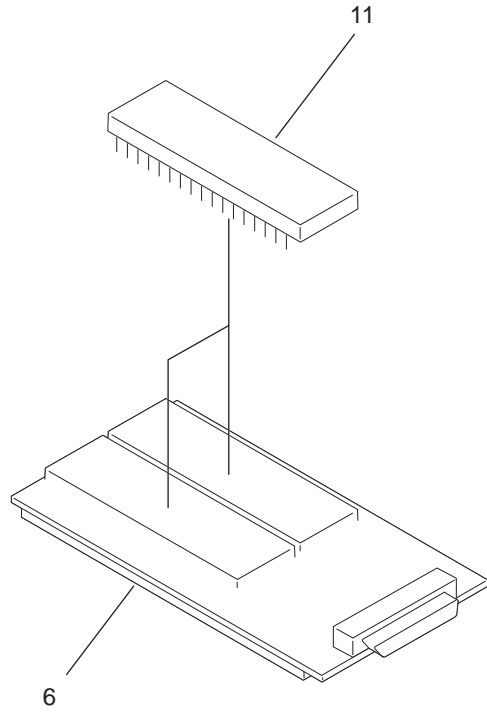
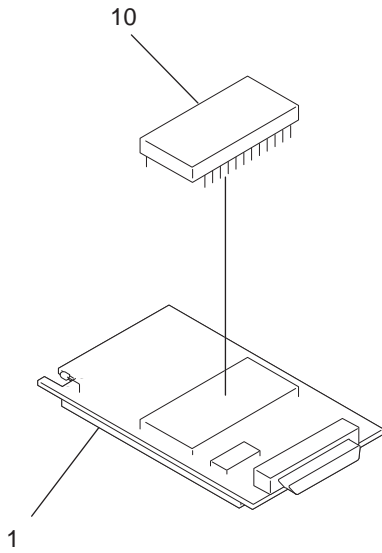
JIGS & GREASE

ITEM No.	PART No.	PART NAME	Q'TY / PAGE	Q'TY / PACK	REMARKS
2		BRUSH-33	1	1/P	
3		JIG-CLNR-DOCTOR	1	1/P	
4		HOLDER-WIRE-SCAN	2	1/P	
5		NOZZLE-BOTTLE	1	1/P	
6		ASYB-JIG-GAP-DOC-SL-380	1	1/P	
7		SPE-MOT-TNS	1	1/P	
8		JIG-FUS-SEP	1	1/P	
9		BAG-DRUM	1	5/P	
21 A		OIL-LAUNA40-100	1	1/P	
21 B		ASYB-LAUNA40-TSBE	1	1/P	
22		GREASE-HP300-S	1	1/P	
23		ASM-PG-ALV2	1	1/P	
24		MOLYKOTE_EM-30L_100G	1	1/P	
25		P-POWDER-PPT001	1	1/P	
26		ASM-PG-GE334C-S	1	1/P	
27		JIG-GAP-DOC-SL-R75	1	1/P	
28 A		CHART-COLOR-A3	1	1/KP	
28 B		CHART-COLOR-LD	1	1/KP	

This Illustrated Parts Manual is to be used for part identification. Part numbers for the most often used parts are listed. To obtain parts for items that do not list an associated part number contact:

**Oki Data Technical Support at 866.654.1725**  
for specific part numbers and part ordering information

# DOWNLOAD JIGS

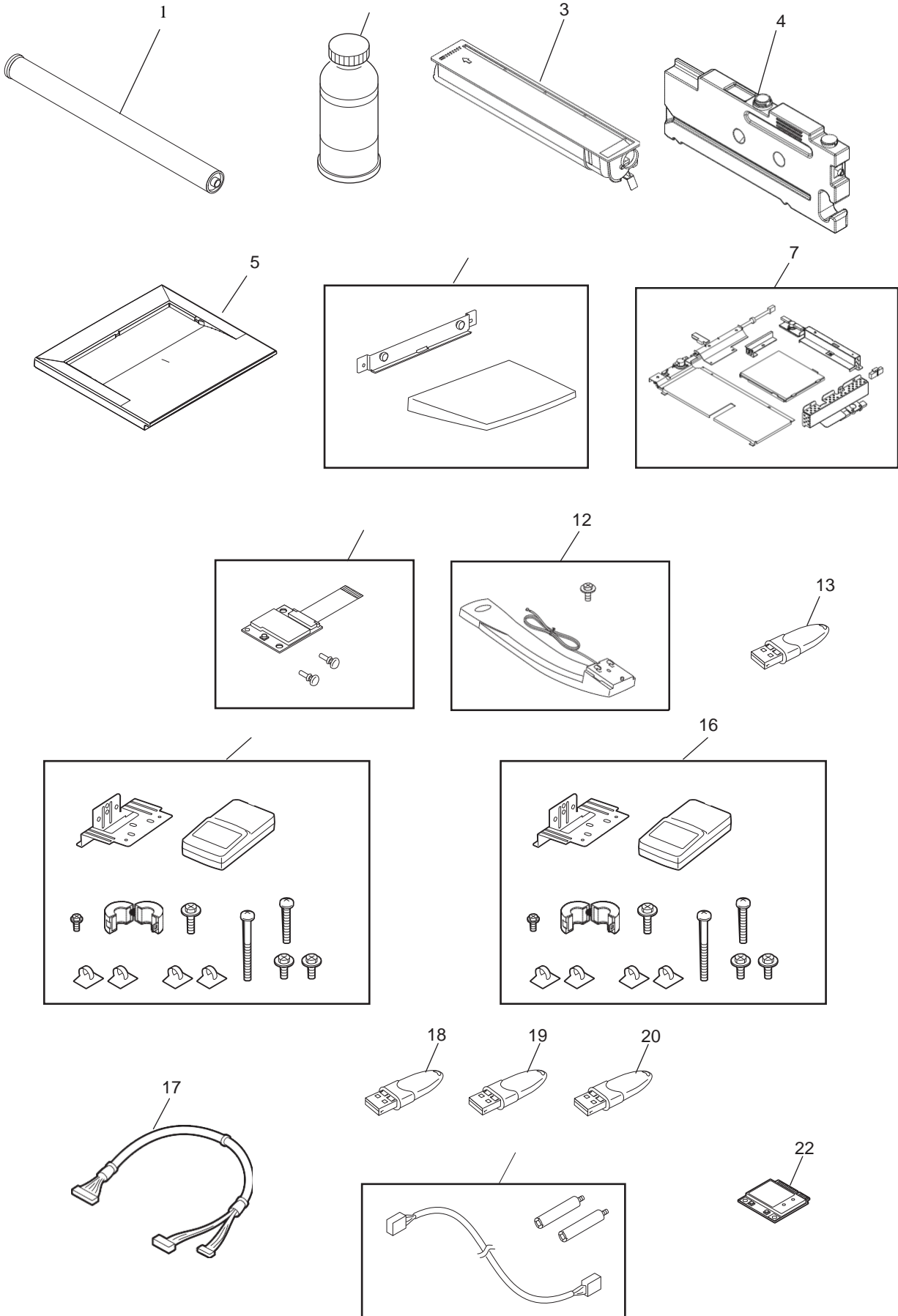


ITEM No.	PART No.	PART NAME	Q'TY / PAGE	Q'TY / PACK	REMARKS
1	55120401	K-PWA-DLM-320	1	1/C	For SYS, LGC, SLG (48MB)
2		<b>PWA-DWNLD-350-JIG2 (Recovery Board)</b>	1	1/SB	
4		PWA-DL-ADP-350-1881	1	1/S	
5		PWA-DL-ADP-350-1931	1	1/C	
6		K-PWA-DLS-320	1	1/C	
10				1	
11			1	1/S	

This Illustrated Parts Manual is to be used for part identification. Part numbers for the most often used parts are listed. To obtain parts for items that do not list an associated part number contact:

**Oki Data Technical Support at 866.654.1725**  
for specific part numbers and part ordering information

# SUPPLIES



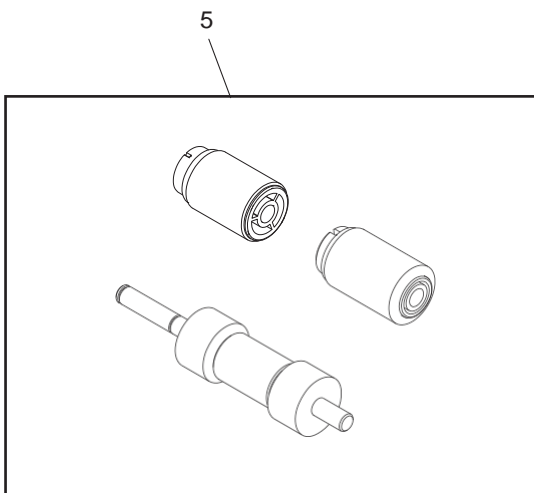
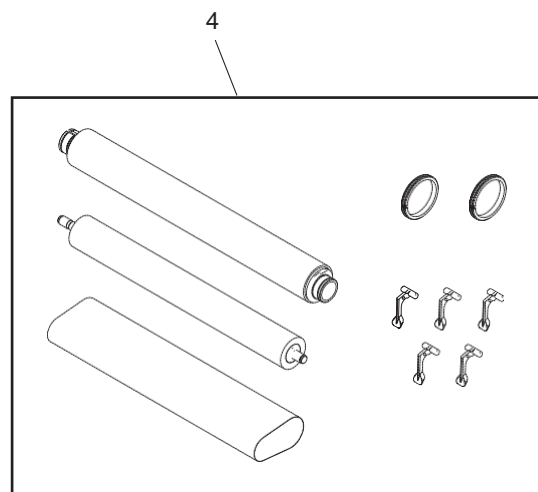
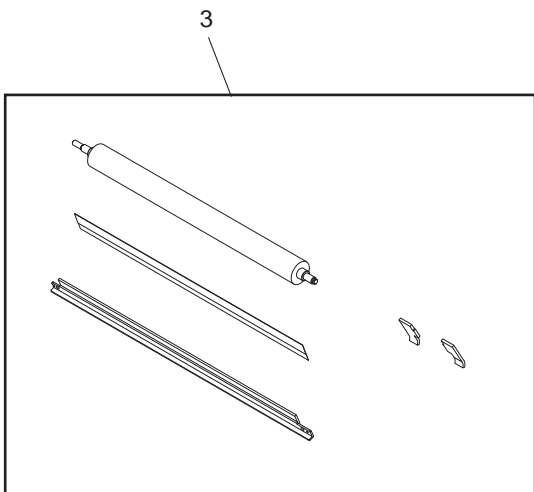
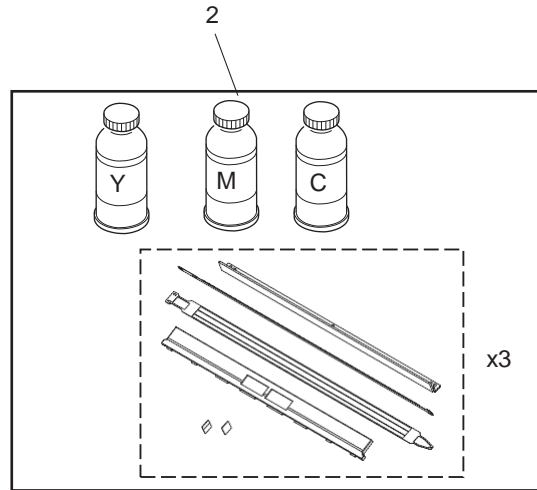
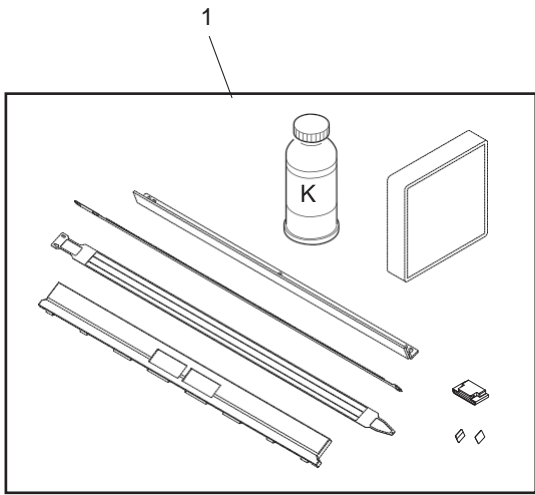
SUPPLIES

ITEM No.	PART No.	PART NAME	Q'TY / PAGE	Q'TY / PACK	REMARKS
1 A 1 B 2 A 2 B 2 C		OD-FC25 D-FC25-K D-FC25-Y D-FC25-M	1 1 1 1		See Supply Items
2 D 3 A 3 B 3 C 3 D		D-FC25-C PS-ZTFC25K(1) PS-ZTFC25K(1) PS-ZTFC25AK(1) PS-ZTFC25EK(1)	1 1 1 1		
3 E 3 F 3 G 3 H 3 I		PS-ZTFC25DK(1) PS-ZTFC25CK(1) PS-ZTFC25Y(1) PS-ZTFC25Y(1) PS-ZTFC25AY(1)	1 1 1 1 1		
3 J 3 K 3 L 3 M 3 N		PS-ZTFC25EY(1) PS-ZTFC25DY(1) PS-ZTFC25CY(1) PS-ZTFC25M(1) PS-ZTFC25M(1)	1 1 1 1 1		
3 O 3 P 3 Q 3 R 3 S		PS-ZTFC25AM(1) PS-ZTFC25EM(1) PS-ZTFC25DM(1) PS-ZTFC25CM(1) PS-ZTFC25C(1)	1 1 1 1 1		
3 T 3 U 3 V 3 W 3 X		PS-ZTFC25C(1) PS-ZTFC25AC(1) PS-ZTFC25EC(1) PS-ZTFC25DC(1) PS-ZTFC25CC(1)	1 1 1 1 1		
4 A 4 B 4 C 5 A 5 B		PS-TBFC28 PS-TBFC28E PS-TBFC28C KA-3511PC KA-3511PC-C	1 1 1 1 1		
6 A 6 B 7 A 7 B 11		KK-4550 KK-4550C MF-3500CU MF-3500CE GN-2010	1 1 1 1 1		
12 A 12 B 13 15 16 A		GN-3010 GN-3010C GP-1070 KP-2004 KP-2005	1 1 1 1 1		
16 B 17 18 19 20		KP-2005C GQ-1110 GS-1010 GS-1020 GP-1080	1 1 1 1 1		
21 22 A 22 B		KIT-KEY-COUNTER-380S GN-1060 GN-1060C	1 1 1		

This Illustrated Parts Manual is to be used for part identification. Part numbers for the most often used parts are listed. To obtain parts for items that do not list an associated part number contact:

**Oki Data Technical Support at 866.654.1725**  
for specific part numbers and part ordering information





PM-KIT

ITEM No.	PART No.	PART NAME	Q'TY / PAGE	Q'TY / PACK	REMARKS
1	58287604	DEVELOPER KIT (BLACK)	1	1/S	
2	58287605	Developer Kit (Color)	1	1/S	
3	58287603	TBU-KIT-FC	1	1/S	
4	58287602	Fuser -KIT-FC28	1	1/S	
5	58287601	PM-KIT-ROLLER	1	1/P	

This Illustrated Parts Manual is to be used for part identification. Part numbers for the most often used parts are listed. To obtain parts for items that do not list an associated part number contact:

**Oki Data Technical Support at 866.654.1725**  
for specific part numbers and part ordering information

