

ÔX2633T ØÚ Spare Parts Illustration Manual

011910H

Copyright © 2008 by Oki Data. All Rights Reserved

Oki Data America's, Inc. ("Oki Data"), authorizes you to view, copy, and print documents published by Oki Data for noncommercial use within your organization only. In consideration of this authorization, you agree and acknowledge that any copy of these documents shall retain all copyright and proprietary rights contained herein. Each document published by Oki Data may contain additional copyright information and proprietary notification relating to that individual document.

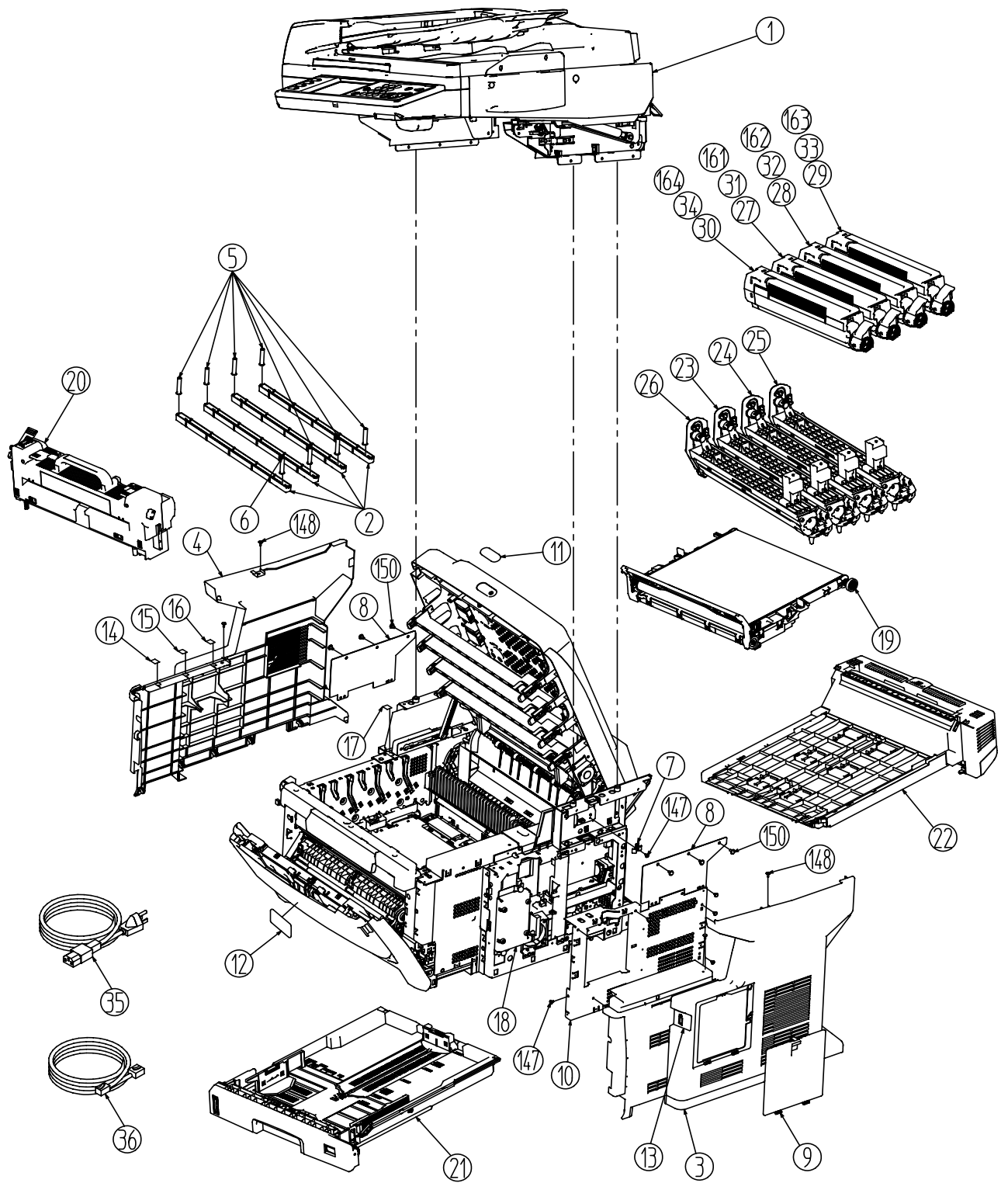
Nothing contained herein shall be construed as conferring by estoppel, implication or otherwise any license or right under any patent or trademark of Oki Data, Oki Electric Industry Co., Ltd. ("Oki Electric"), or any third party. Except as provided above nothing contained herein shall be construed as conferring any license or right under any Oki Data copyright.

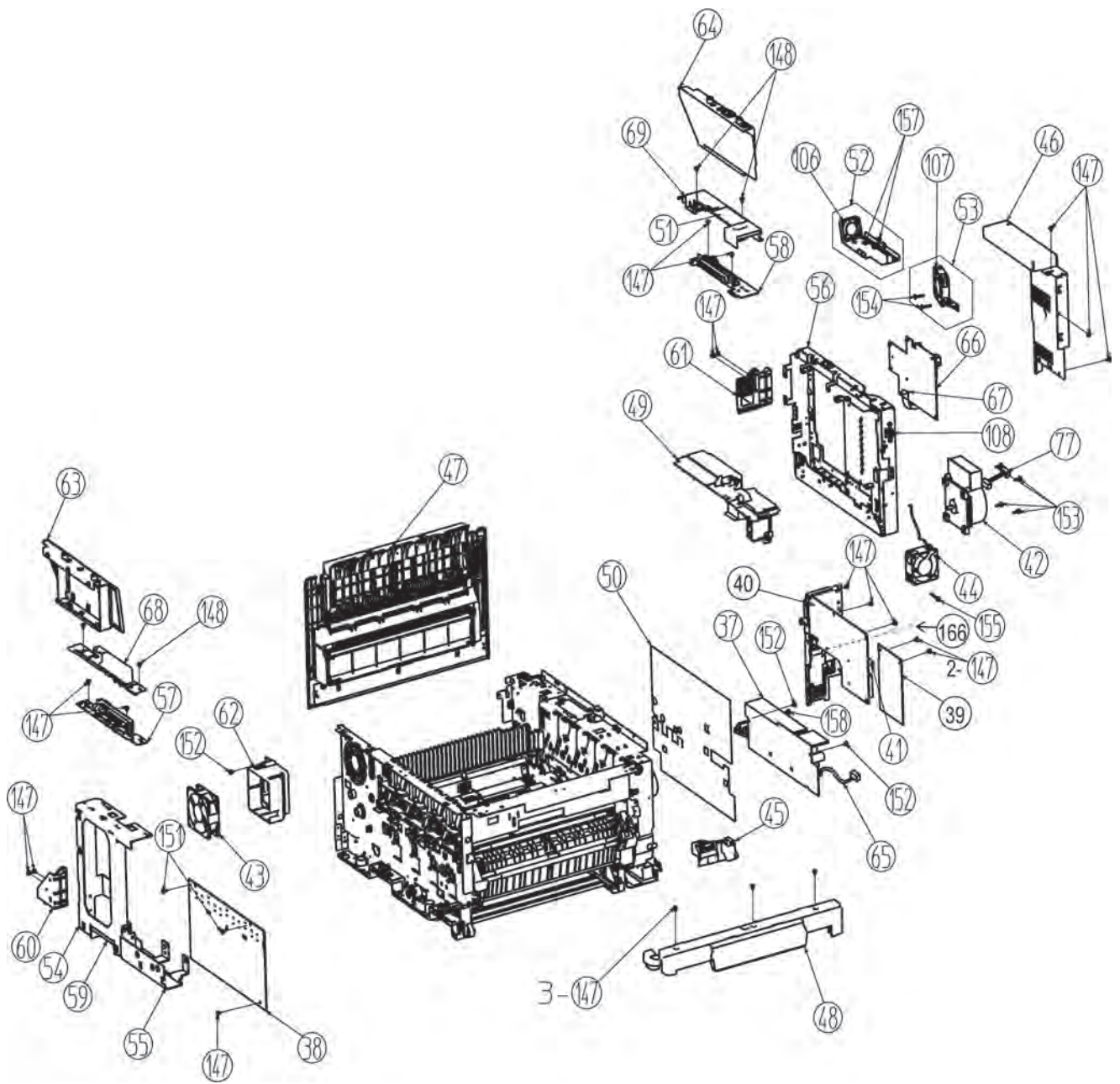
Oki Data has taken care to insure that the information which follows is complete, accurate and up-to-date. However, Oki Data assumes no responsibility for errors or omissions which may occur. All the information provided is subject to change from time to time at the sole discretion of Oki Data.

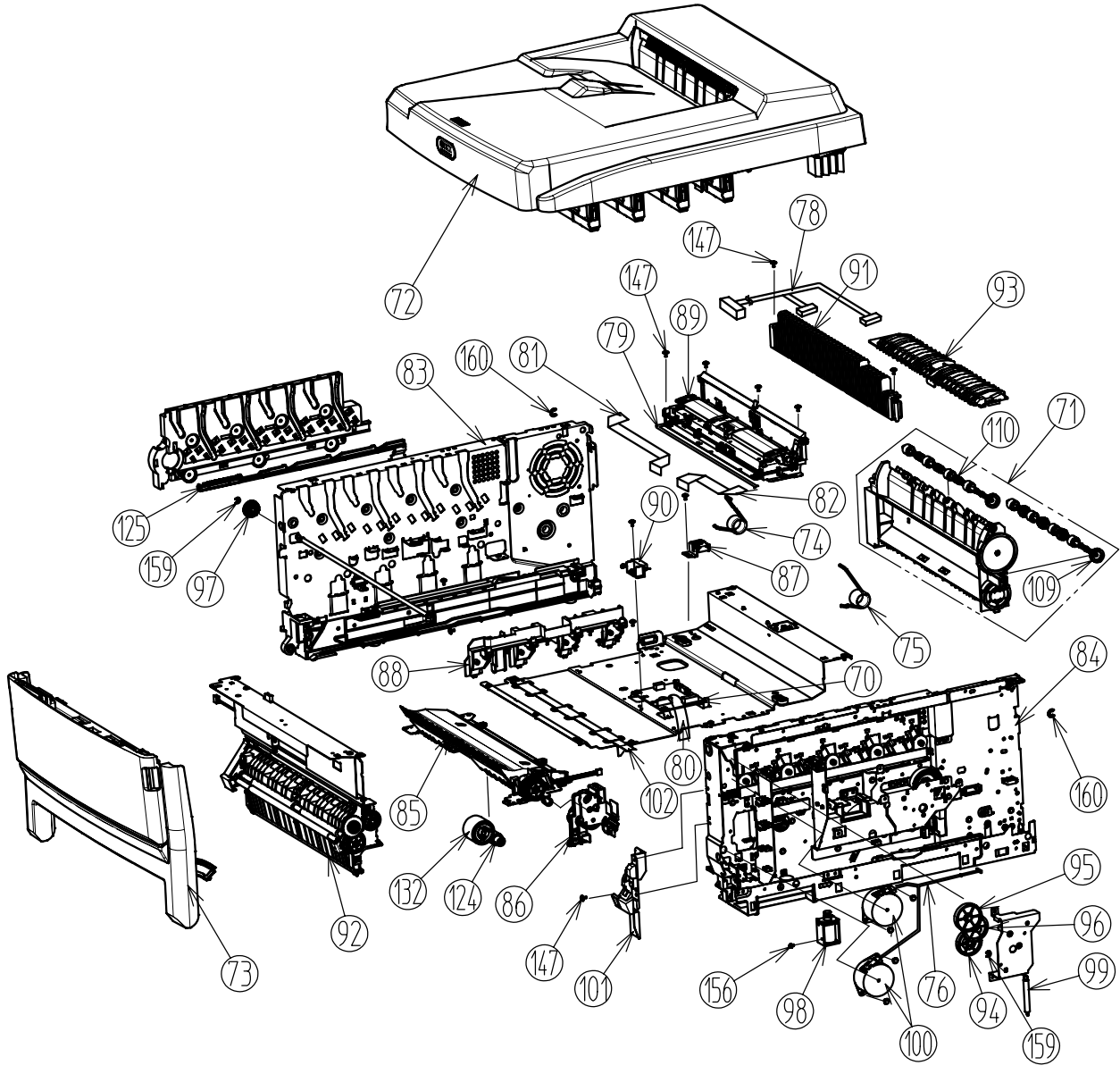
All publications may include technical inaccuracies or typographical errors. We reserve the right to make periodic changes, additions, and deletions to publications without notice.

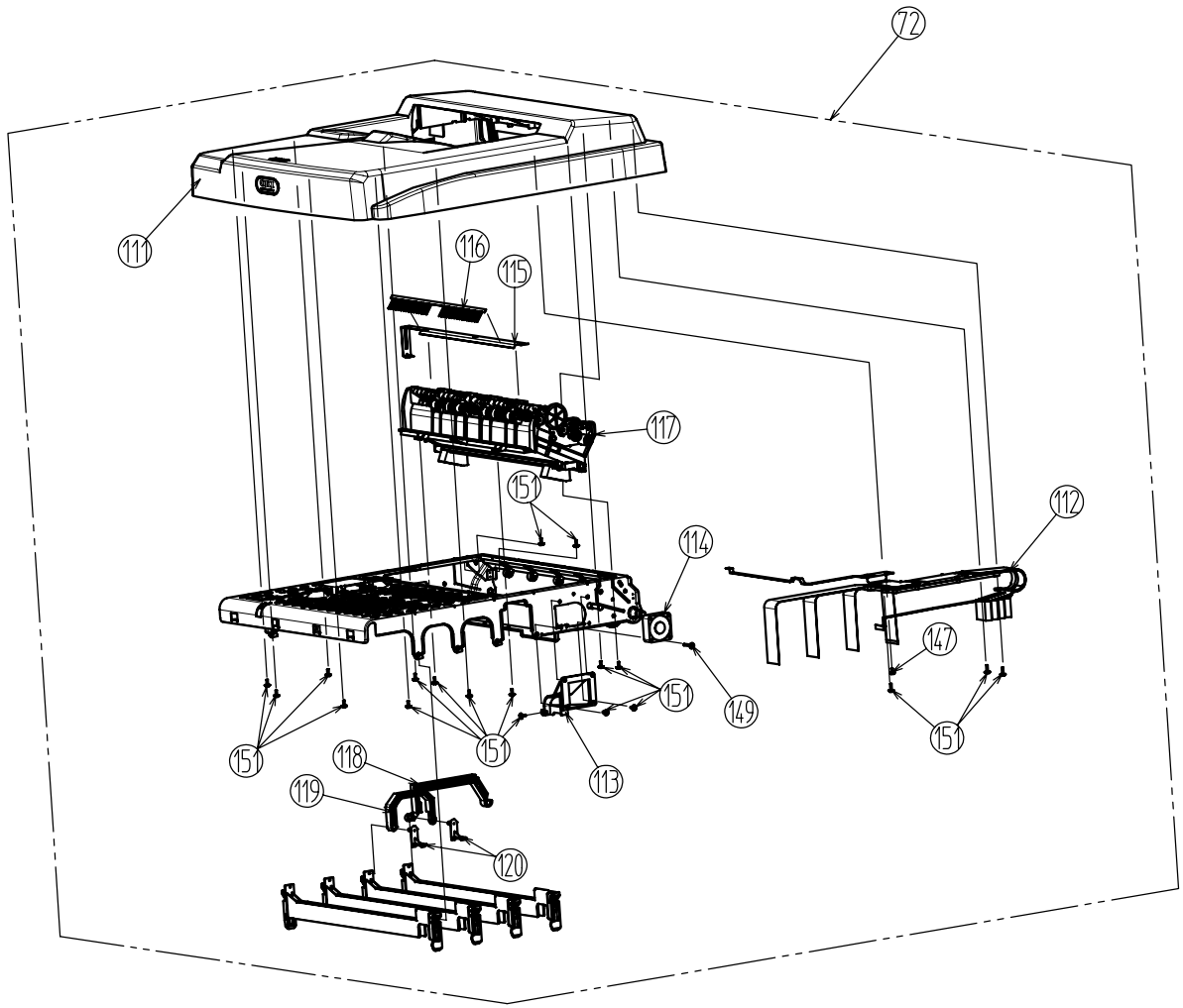
The most up-to-date drivers and manuals are available from the web site:

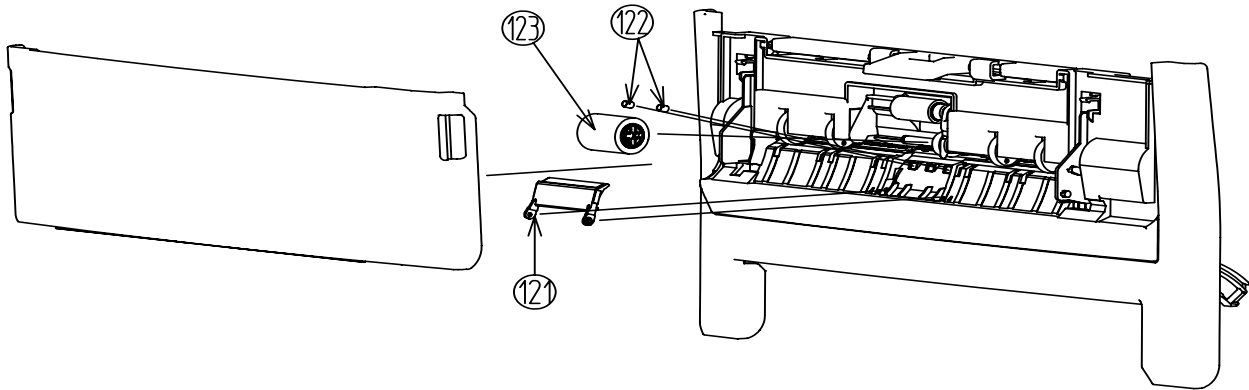
<http://www.okiprintingsolutions.com>

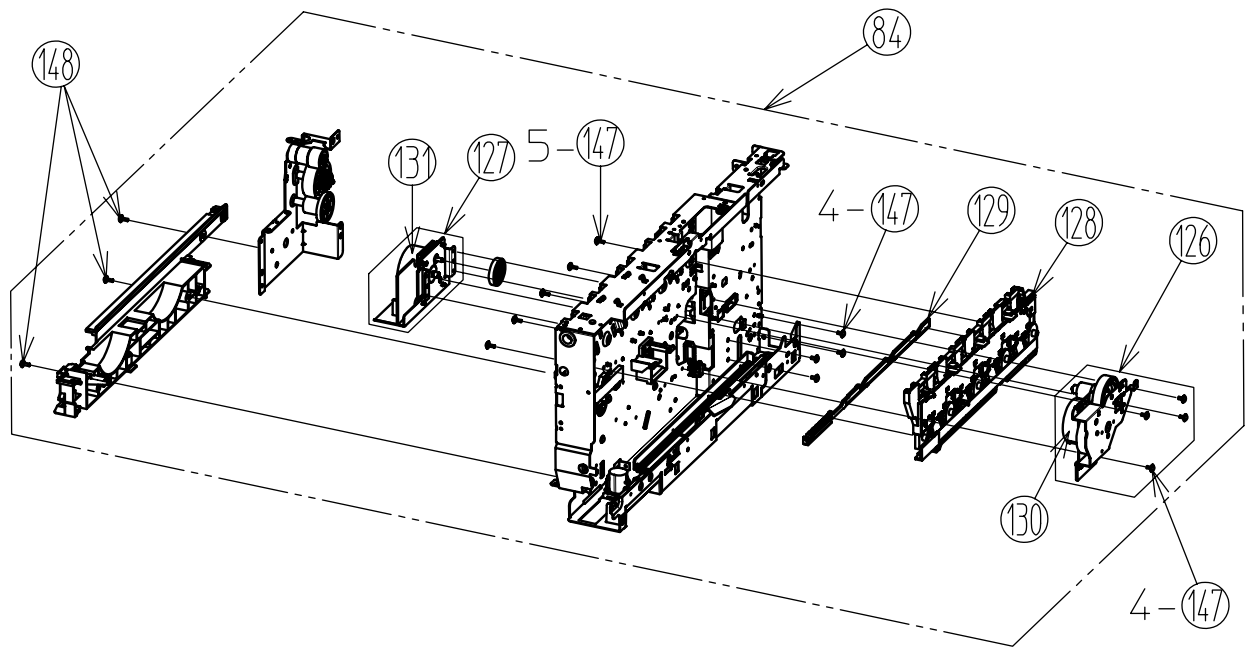


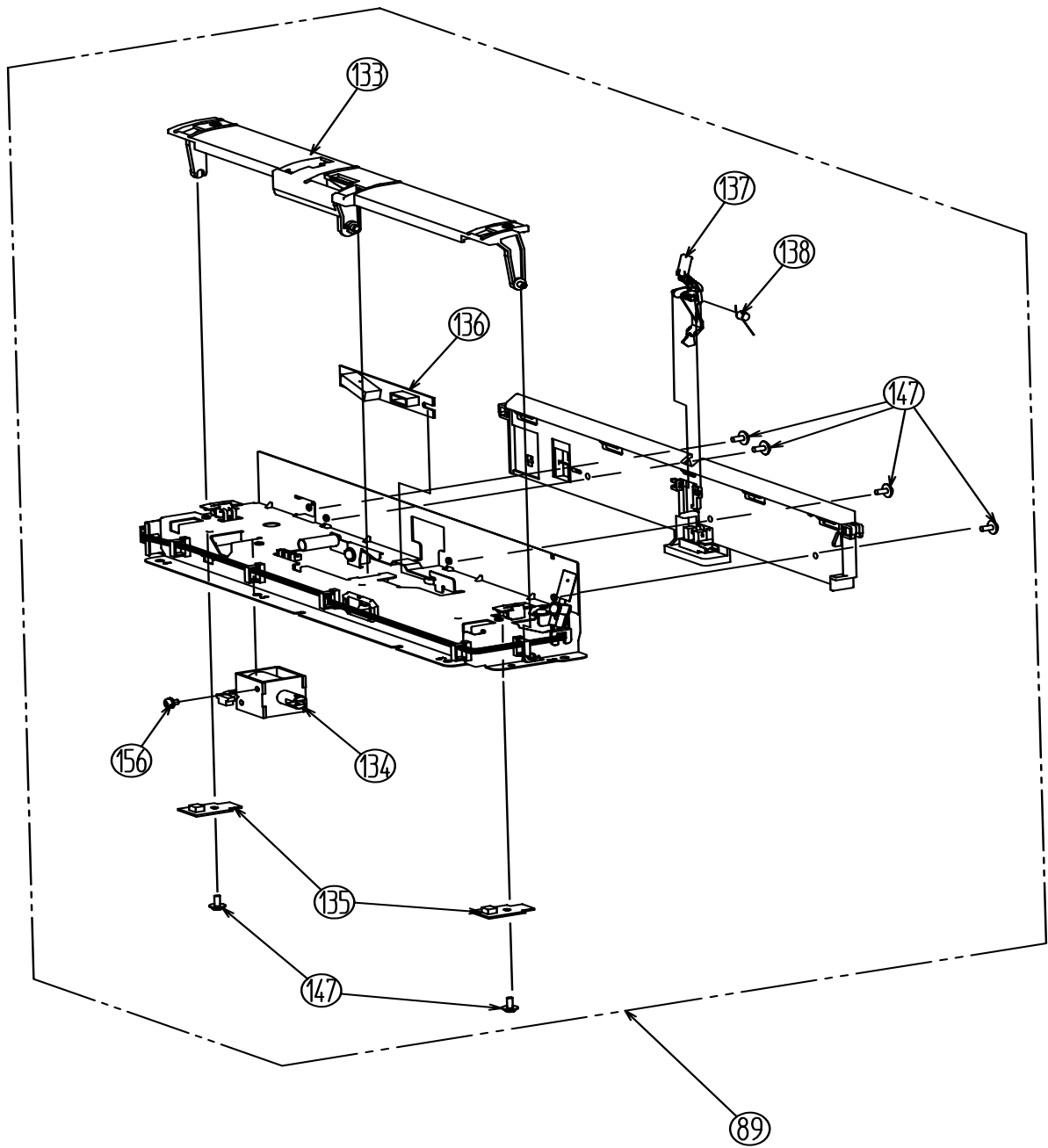


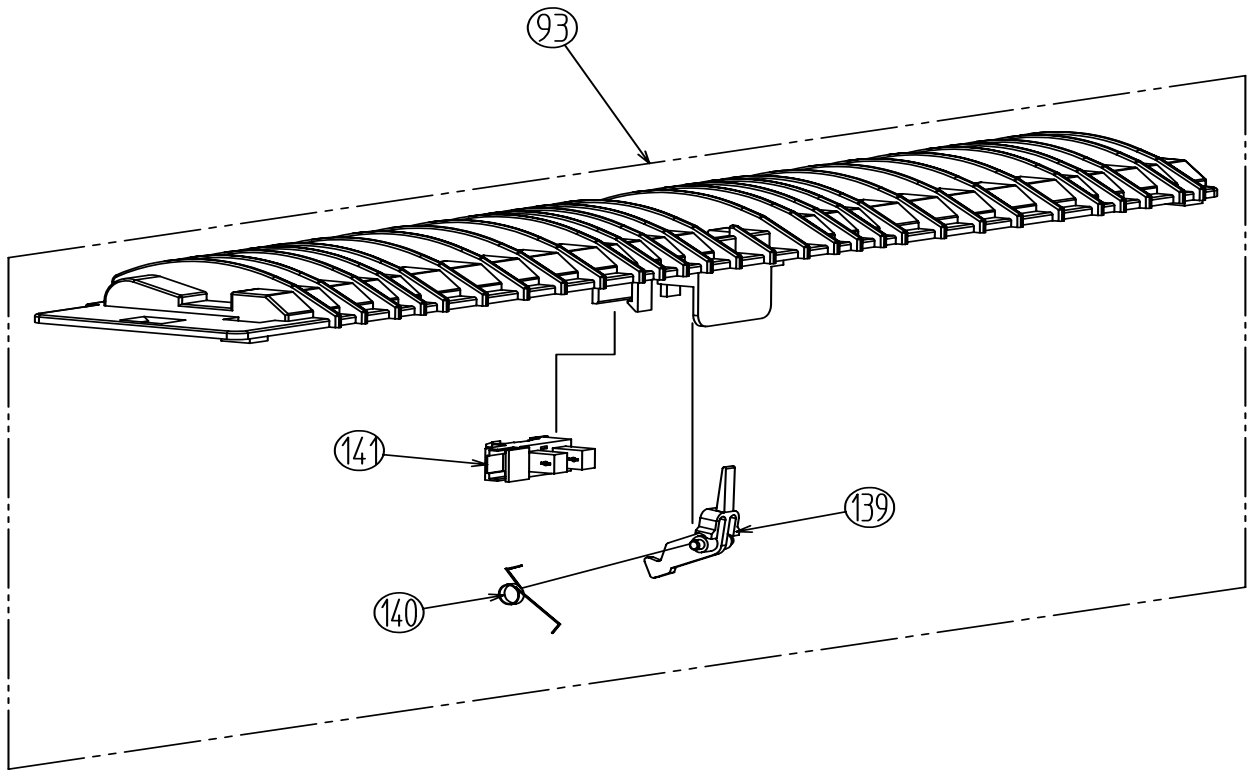


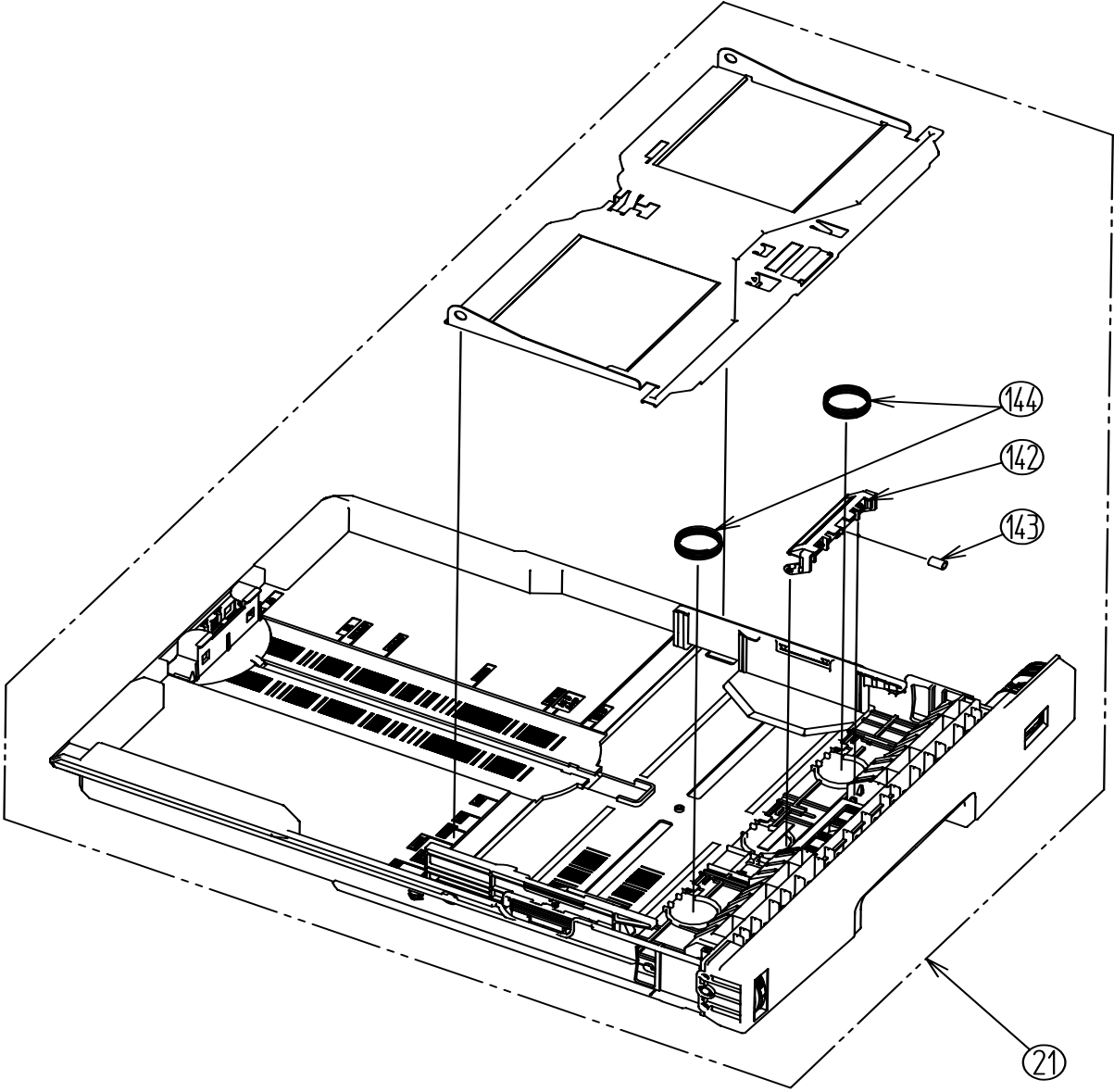


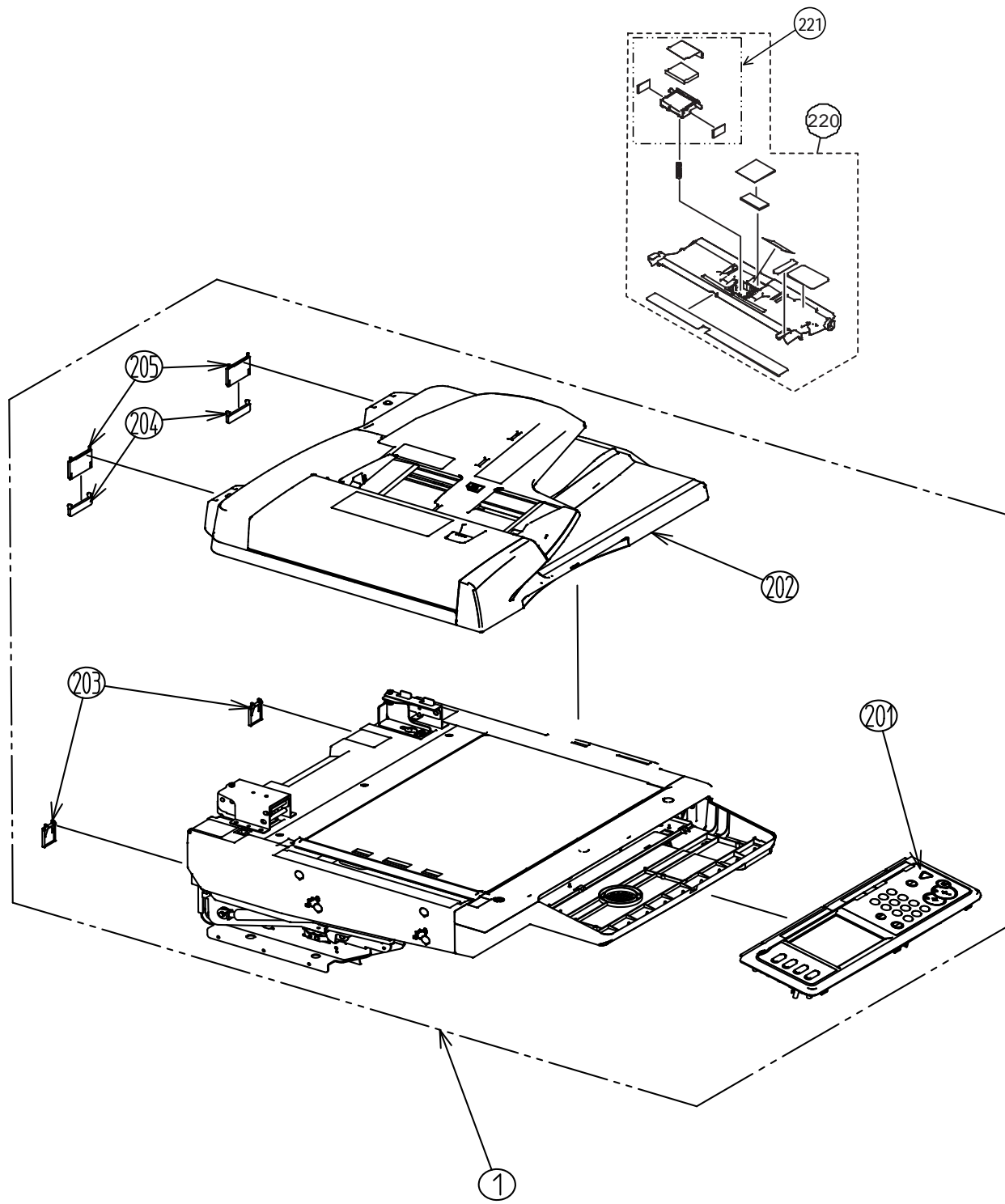


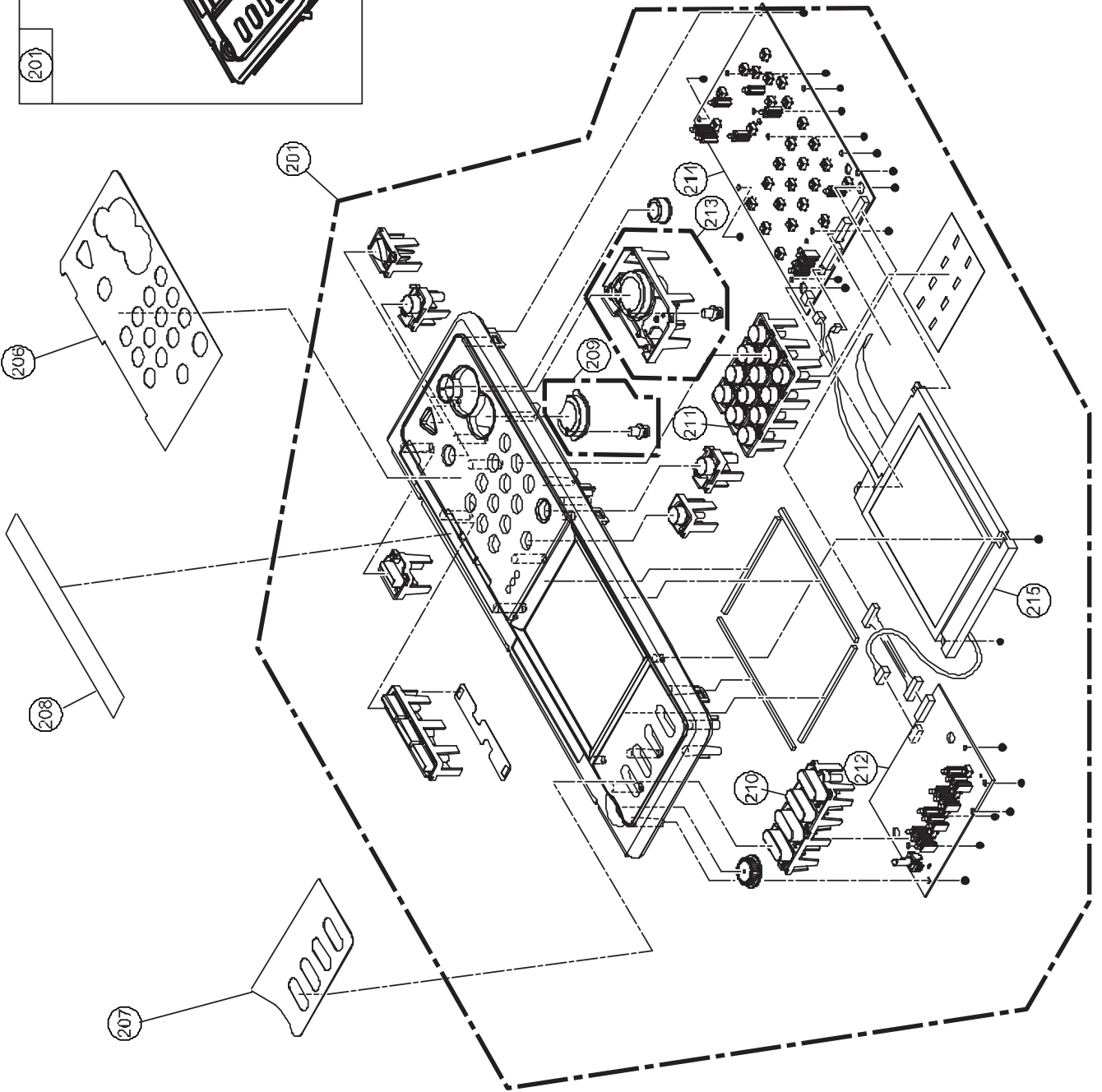
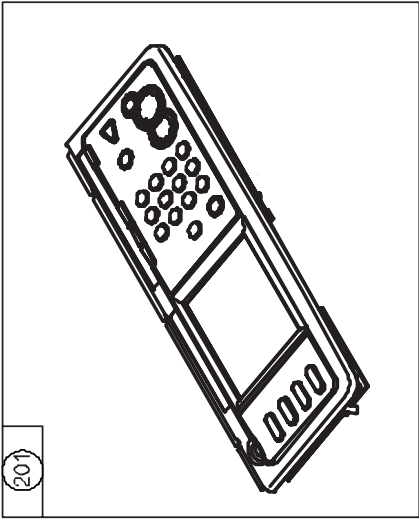


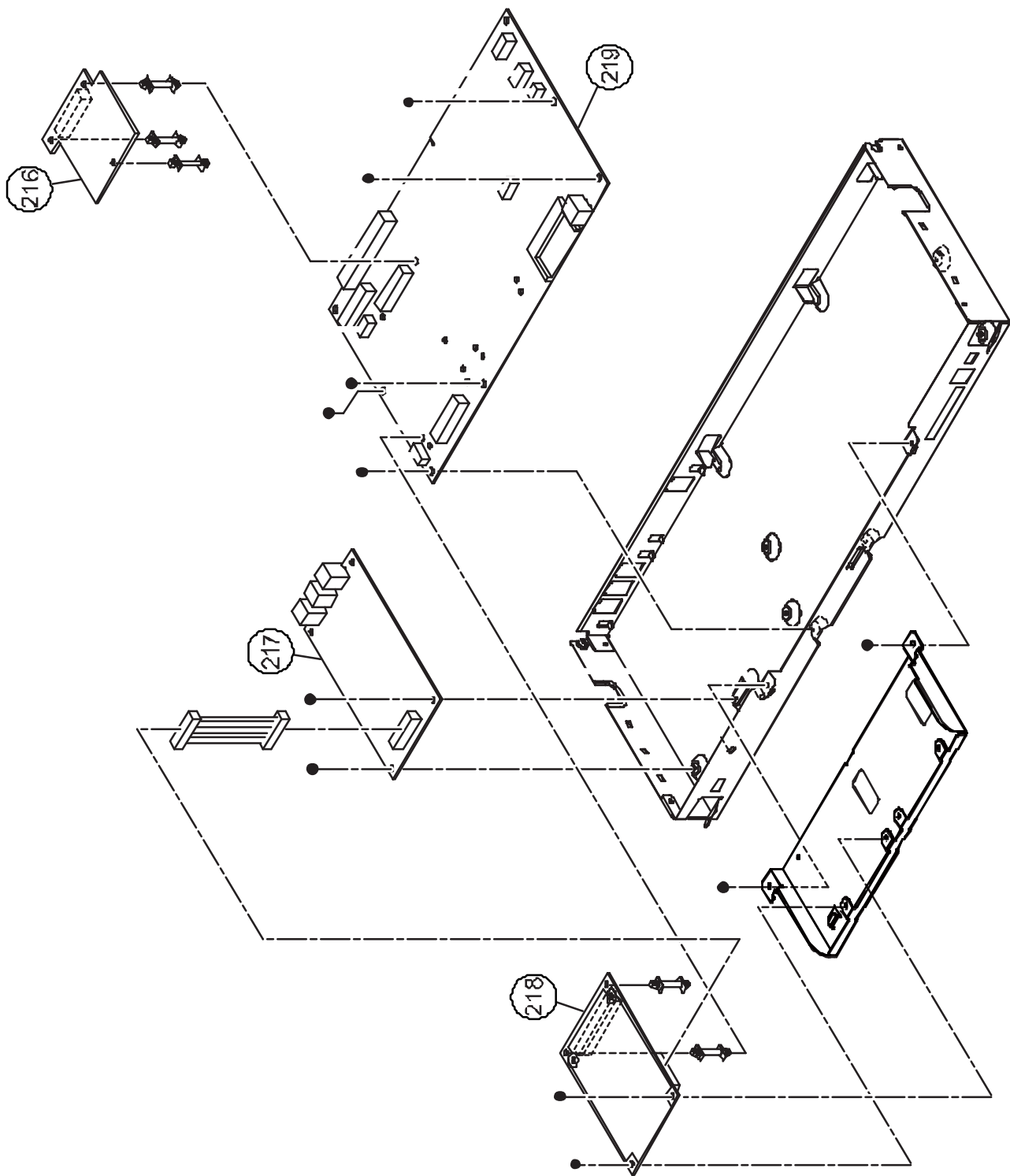












No.	Part No.	Part Name	Q'ty /Unit	Remarks
1		MC860 Scanner_ODA	1	
2	43686801	LED Head Unit-53STA	4	
3	43857801	Cover-Side-R	1	
4	43858101	Cover-Side-L	1	
5		Spring-Head	7	
6		Spring-Head	1	
7		Plate-Clump-Cable	1	
8		Plate-Beam-L/R	2	
9		Sub-Cover-Assy	1	
10		Plate-Shield-Rear	1	
11		Plate-Logo	1	
12		Plate-Name-PX736MFP	1	
13		Label-USB	1	
14		Label-Color K	1	
15		Label-Color Y	1	
16		Label-Color M	1	
17		Label-Color C	1	
18	41376058	HDD Assy PX736 Option(ODA)	1	
19	43449704	Belt-Unit-PX736_ODA	1	
20	43529404	Fuser-Unit-PX736	1	120V
20	43529409	Fuser-Unit-PX736_ODA	1	230V
21	43178217	Cassette-Assy.	1	
23		ID Unit-Type C14 ODA/Y	1	
24		ID Unit-Type C14 ODA/M	1	
25		ID Unit-Type C14 ODA/C	1	
26		ID Unit-Type C14 ODA/K	1	
31		Toner-Cartridge Type C14 ODA/Y LK	1	
32		Toner-Cartridge Type C14 ODA/M LK	1	
33		Toner-Cartridge Type C14 ODA/C LK	1	
34		Toner-Cartridge Type C14 ODA/K LK	1	
36		CONN Cord- RJ11(62)	1	
37	43704101	PWR unit-ACDC Switch	1	
38	43694601	PWR unit-DCDC	1	
39	44016501	OR-Board Assy. -PVM	1	Engine Board
40	55113301	Board-Assy-CU-MFP-PX736	1	CX 2633 CU Board
41		TW-VF/SMCD12-60-1.0	1	
42	43241301	Motor-DC-ID	1	
43	43446501	Motor-Fan(80)	1	
44	43191302	Motor-Fan(60)PowL	1	
45		Holder Assy.-Switch	1	
46		Plate-Shield-Front	1	
47	43182601	Cover Assy.-Rear	1	ODA
48		Frame-Assy-Front	1	
49		Duct-POW	1	
50		Insulator-POW	1	
50		Insulator-POW	1	
51		Label-Fuser-JAM	1	
51		Label-Fuser-JAM	1	
52		Plate-Assy-FAN-CU	1	
53		Plate-Assy-FAN-Pow	1	
54		Plate-Low-LR	1	
55		Plate-Assy-Low-LF	1	
56		Plate-Assy-Low-R	1	

No.	Part No.	Part Name	Q'ty /Unit	Remarks
57		Stay-Guide-L-Assy	1	
58		Stay-Guide-R-Assy	1	
59		Grip-Side-R	1	
60		Back-Stopper-L-Assy	1	
61		Back-Stopper-R-Assy	1	
62		Duct-Fan-Fuser	1	
63		Plate-Assy-Up-L	1	
64		Plate-Assy-Up-R	1	
65	43884401	CONN Cord-AMP6P-AMP6P	1	
66	44016601	OR-Board Assy. -MZA	1	
67		SMCD11x105AD(1.0)	1	
68		Cover-Stay-L	1	
69		Cover-Stay-R	1	
70	43438901	OR-P6Y	1	
71	43862101	Guide-Eject-Assy-Upper-MFP	1	
72		Cover-Assy-Top-MFP	1	
73	43966601	MPT-Assy-MFP	1	
74		Spring-Torsion-L(MFP)	1	
75		Spring-Torsion-R(MFP)	1	
76	43359801	CONN Cord-AMP8P-AMP4P,AMP4P	1	
77	43405001	CONN Cord-AMP11P-AMP11P	1	
78	43360501	CONN Cord-AMP6P-AMP3P,AMP3P	1	
79	43891001	CONN Cord-JST8P-AMP2P,AMP3PX2	1	
80		TW-VF/SMCD21-230-1.0	1	
81	43628901	CONN-Regist-Cord(L_bend)	1	
82	43629001	CONN-Regist-Cord(R_bend)	1	
83		Plate-Side-L-Assy	1	
84		Plate-Side-R-Assy	1	
85		Frame-Assy-Hopping	1	
86		Gear-Holder-Assy	1	
87		Sensor-Assy-Fuser	1	
88		Frame-Assy-Contact	1	
89	43246801	Sensor-Assy-Regist	1	
90	43247501	Fuse-Cut-Assy	1	
91		Beam-Fuser-Assy	1	
92	43248001	Regist-Roller-Assy	1	
93	43250501	Guide-Eject-Assy-Lower	1	
94	43251801	Gear-Reduction-L-Up	1	
95	43253501	Gear-Reduction-L-Up2	1	
96	43313101	Gear-Reduction-L-Up3	1	
97	43361001	Gear-Reduction-L-Up4	1	
98	42058304	Solenoid	1	
99	42058401	Spring-Solenoid	1	
100		Motor-Z18(Spur)	2	
101		Cover-Gear	1	
102		TW-VF/SMCD13-740-1.0	1	
103		Plate-Shield-CU	1	
104		SML2CD-32X72-BDXAUP	1	
105		OR-Memory-MOSDRAM -	1	
105	43363313	DDR SODIMM 256MB	1	
106	44017801	Motor-Fan(CU)	1	
107	44017901	Motor-Fan(60)PowL	1	
108	43883101	CONN Cord-USB (PX736MFP)	1	

No.	Part No.	Part Name	Q'ty /Unit	Remarks
109	43183801	Shaft Assy.-Eject(FU)	1	
110	43862201	Shaft Assy.-Eject	1	
111		Cover-Top-MFP	1	
112		Cable-Assy.-Head	1	
112	44162901	Cable-Assy.-Head	1	
113		Duct-Fan-FU	1	
114	43793601	OR-Motor-FAN(40)	1	
115		Plate-Brush-Discharge	1	
116		Brush-Discharge	1	
117	43863501	Guide-Eject-EX_Assy	1	
118		Link-A	1	
119		Link-B	1	
120		Holder-Post	2	
121	43418001	Frame-Assy.-Separator	1	
122	43558301	Spring-Separator	2	
123	43411001	Roller-Feed(OW)	1	
124	43417901	Roller-Assy.-Pickup	1	
125		Rack-Lift-Up-L	1	
126	43314401	Motor-Assy.-Belt	1	
127	43242701	Motor-Assy-Fuser	1	
128		Guide-Side-R-Assy	1	
129		Rack-Lift-Up-R	1	
130	43242601	Motor-Z15(Helical)	1	
131	43242801	Motor-DC-FU	1	
132	42052601	Roller Assy.-Hopping	1	
133		Shutter-Assy	1	
134		DC-Solenoid	1	
135	43132302	OR-PRC	1	
136		GP2TC2J000F	1	
137		Lever-Sensor-FUIN-Assy	1	
138	43334501	Spring-Torsion	1	
139	42063301	Lever-Eject-Sensor	1	
140	40386501	Spring-SNS(F/R)	1	
141	40135301	Photo-Interrupter	1	
142	42088801	Frame-Separation-Assy.	1	
143	42089001	Spring-Separation	1	
144		Spring-Plate	2	
145	43651504	RollerSet-Tray1	1	
146	43651804	RollerSet-MPT	1	
147		Cup_Screw (S Tight M3)	113	
148		Cup_Screw A	8	
149		Cup_Screw A	1	
150		Cup-Screw-E L=8	12	
151		TappingScrew-B2 L=8	25	
152		Screw (SW+2W)	4	
153		Screw (SW+2W)	6	
154		Screw (SW+2W)	2	
155		Screw (SW+2W)	1	
156		Screw (SW+W)	2	
157		Screw (SW+W)	2	
158		Screw (SW+2W)	1	
159		Ring	2	
160		Ring	2	

No.	Part No.	Part Name	Q'ty /Unit	Remarks
201	44135101	ASSY PANEL	1	
202	44135201	ASSY RADF	1	
203	44135301	COVER PLATE	2	
204	44135401	HLD-F-HNG-1-M	2	
205	44135501	HLD-F-HNG-2-M	1	
206	52536105	OP PANEL OVERLAY	1	
207	52536104	FUNCTION OVERLAY	1	
208	52536103	OP PANEL OVERLAY A	1	
209	44265101	ASSY KEY START K	1	
210	44265401	KEY MODE A	1	
211	44265501	KEY TEN	1	
212	44265801	PCB PANEL 2	1	
213	44265201	ASSY KEY START C	1	
214	44265701	PCB PANEL NF	1	
215	44266501	DSPLY(LCD)	1	
216	44266001	PCB RADF CODEC	1	
217	44266202	PCB NCU	1	
218	44265901	PCB EXT LINE DFX	1	
219	44266102	PCB MAIN	1	
220	44266301	ASSY-GID-REV-RVRS-M	1	
221		ASY-HLD-REV-PAD	1	