

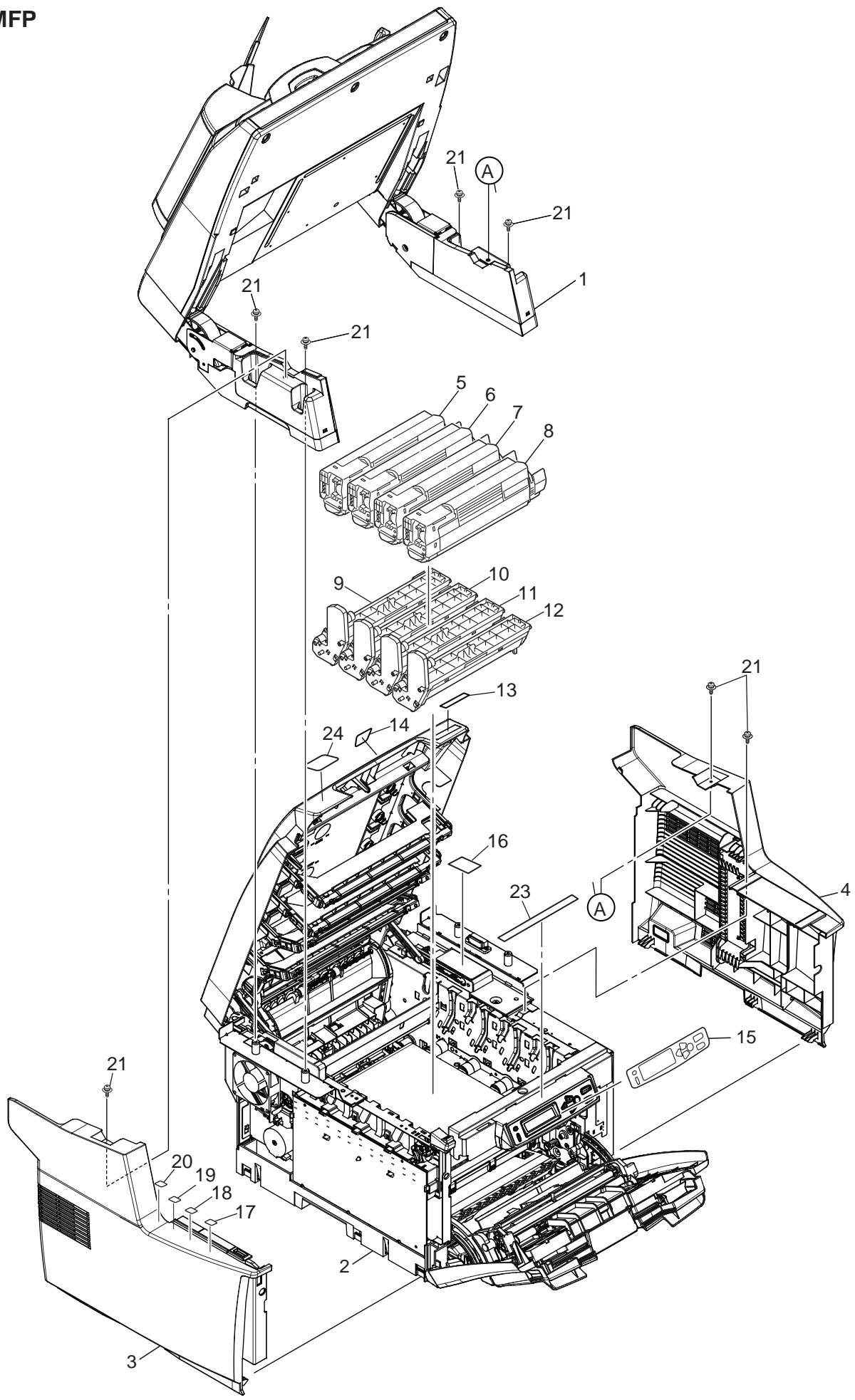
# CX2033/MC560MFP

## Spare Parts

### Illustration Manual

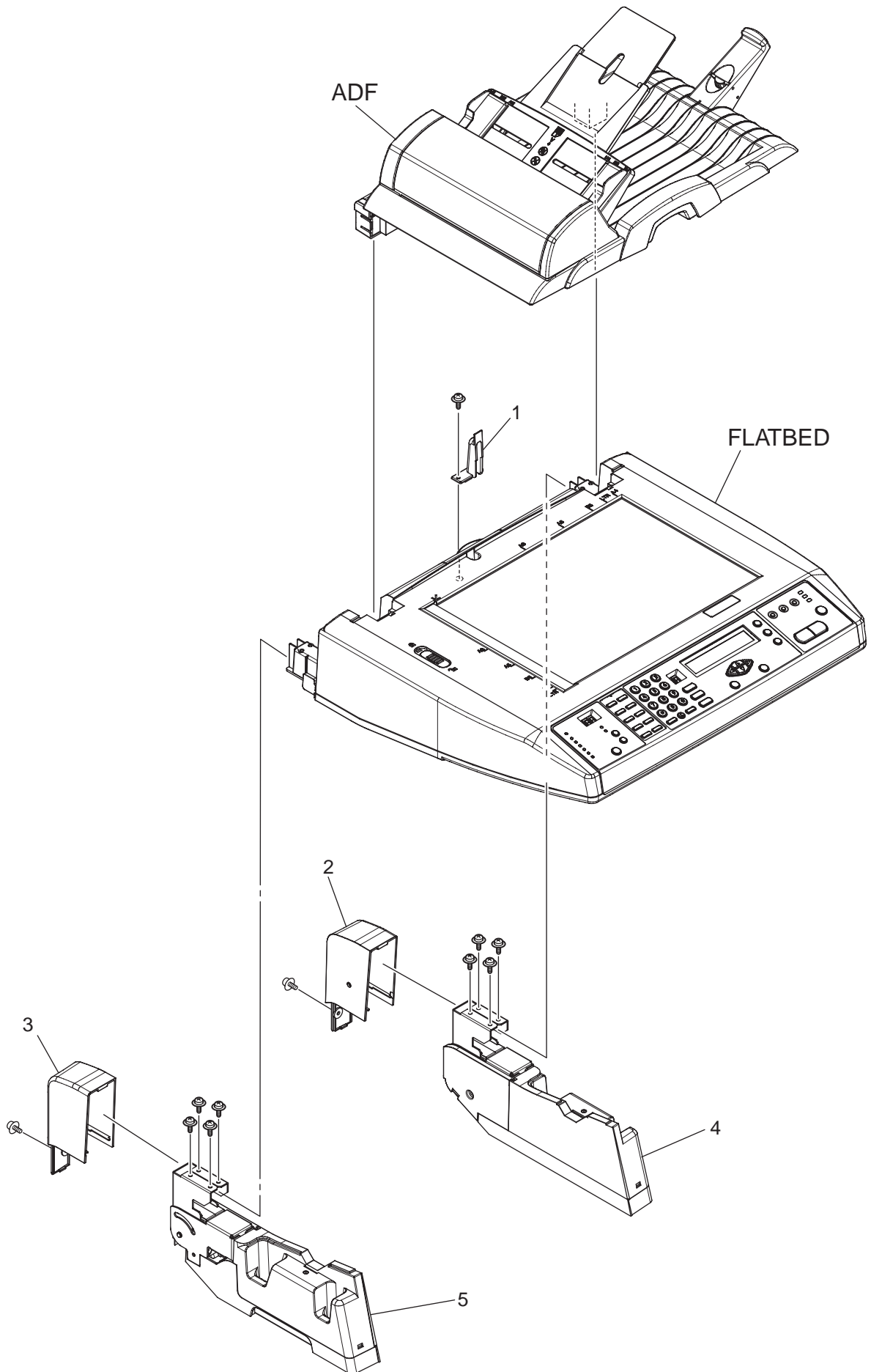
052809A

MFP



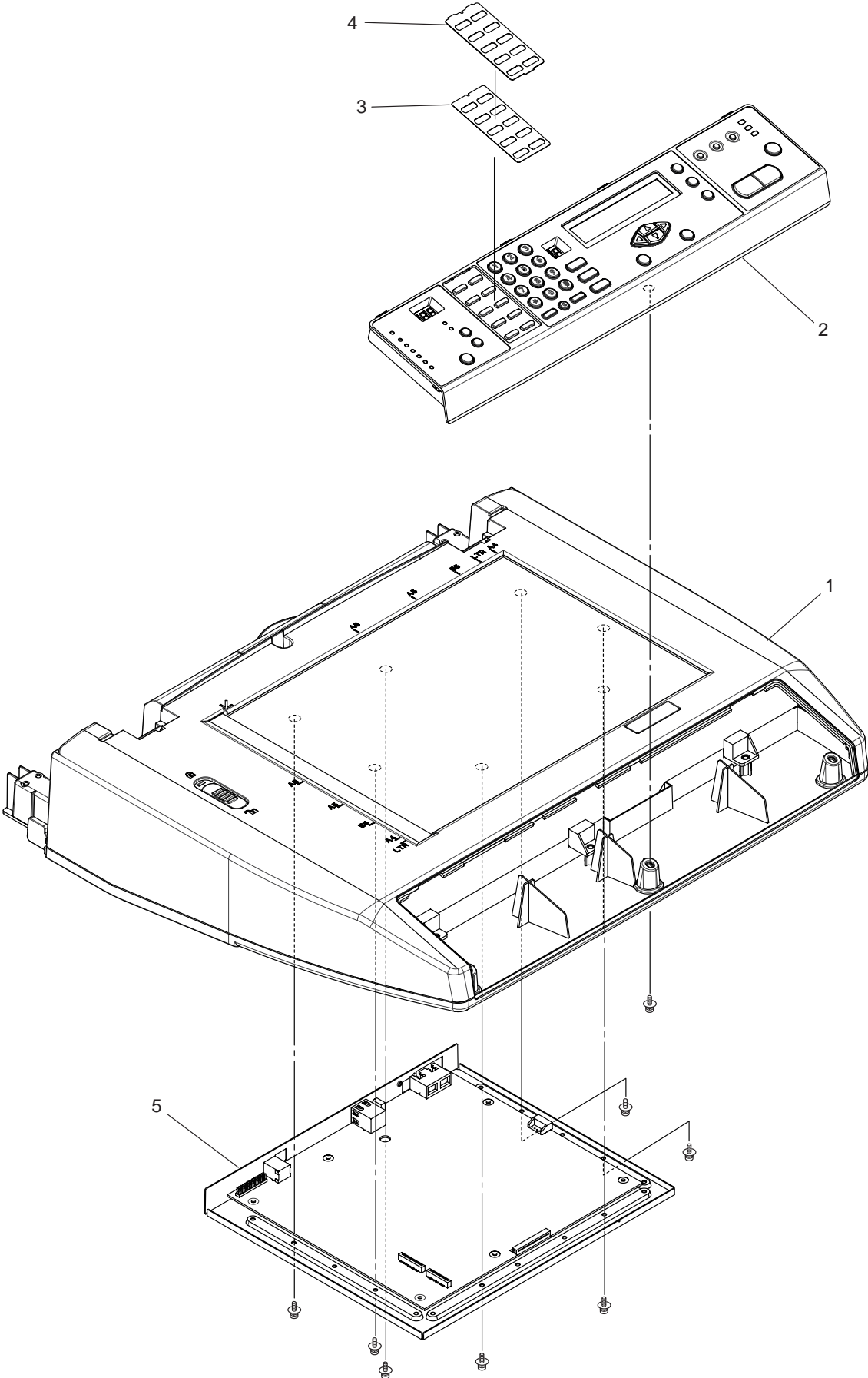
No.	Part No.	Part Name	Remarks	Q'ty /Unit
1	44162401	Scanner		1
3		Cover-SideL-MFP		1
4		Cover Assy.-SideR		1
13		Plate-Name		1
14		Plate-Logo		1
15		Sheet-OP-Panel(C)		1
16		Label-FuserJAM		1
17		Label-Color K		1
18		Label-Color Y		1
19		Label-Color M		1
20		Label-Color C		1
-		CONN Cord- RJ11(62)		1
23		Label-Consumable		1

# Scanner



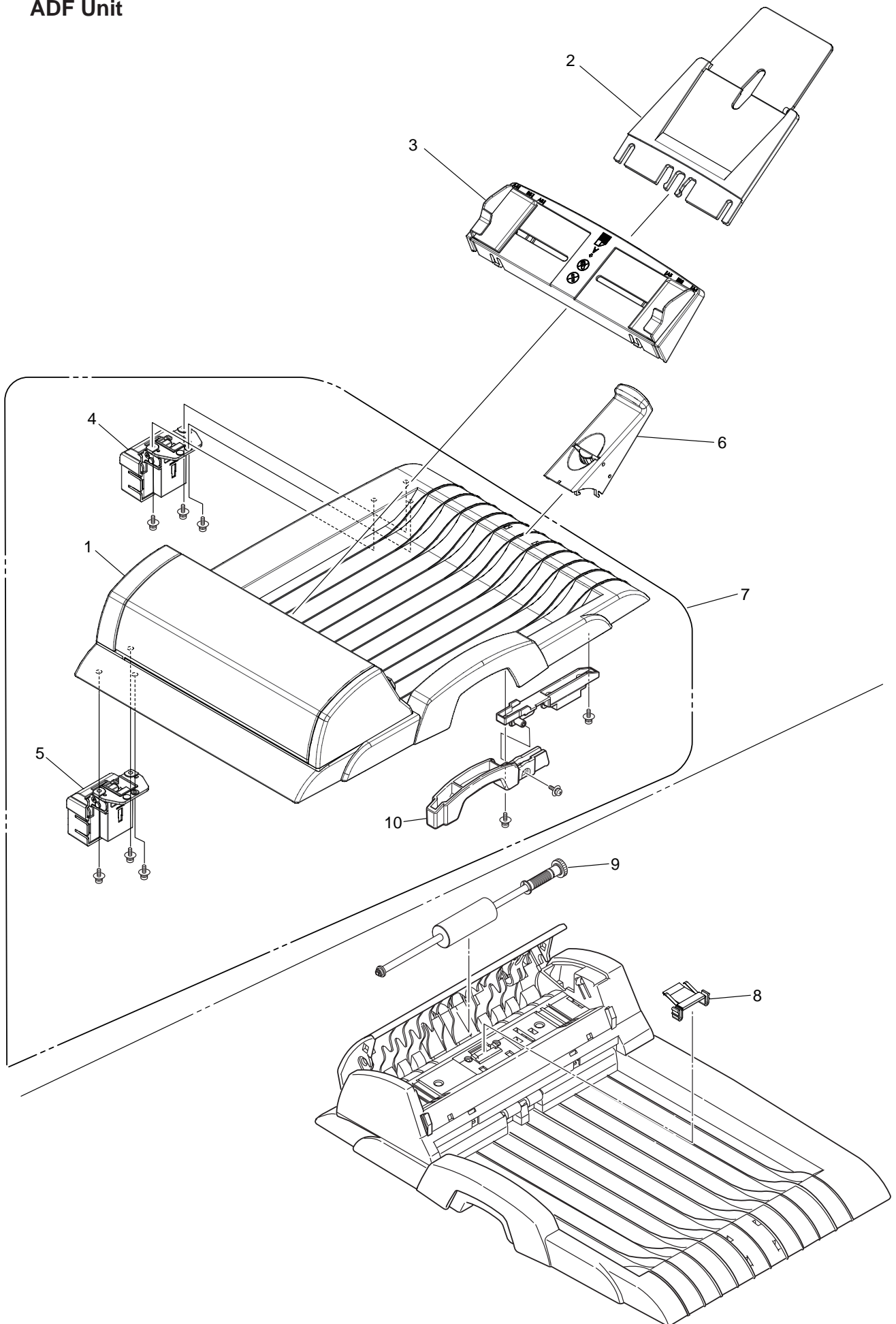
No.	Part No.	Part Name	Remarks	Q'ty /Unit
1	43731901	Cover-ADF-Wire		1
2		Hinge-Cover-Upper-R		1
3		Hinge-Cover-Upper-L		1
4	43732301	ASS'Y,STAND-R		1
5	43732401	ASS'Y,STAND-L		1

**FLATBED Unit**



No.	Part No.	Part Name	Remarks	Q'ty /Unit
1	43733301	ASS'Y,FLATBED UNIT_735Scanner	(003-6096-0-SP)	1
2	43733401	ASS'Y,CONTROL PANEL - ODA_735Scanner	(003-6097-0-SP)	1
3	43733501	Sheet-one-touch_735Scanner	(066-0678-0-SP)	1
4	43733701	Cover-one-touch- sheet_735Scanner	(066-0677-0-SP)	1
5	44186401	ASSY MAIN BOARD- ODA_MC560Scanner		1

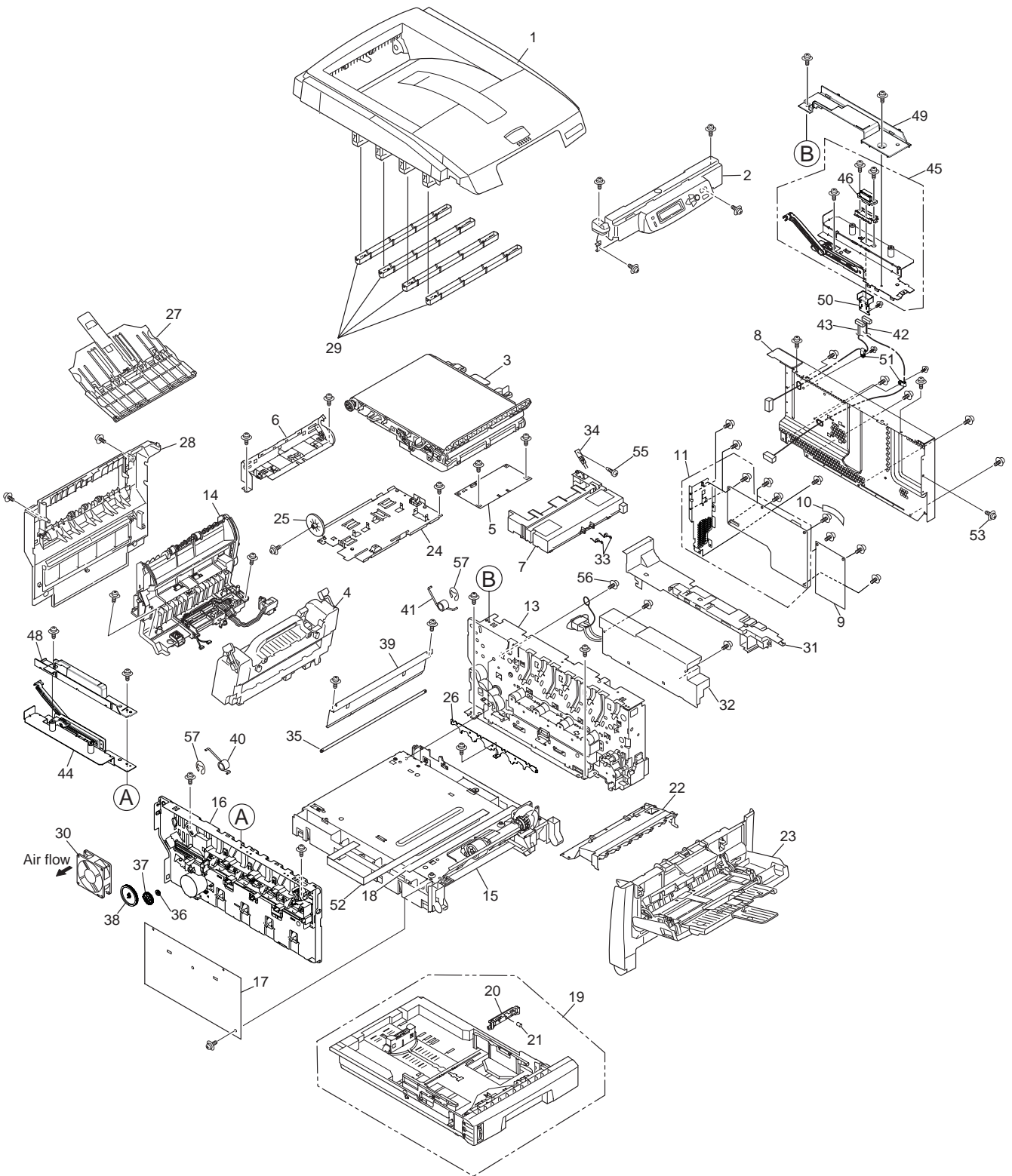
# ADF Unit





No.	Part No.	Part Name	Remarks	Q'ty /Unit
1	43732501	ADF-DOCUMENT(without Hinge)		1
2	43732601	ASS'Y,PAPER SUPPORT		1
3	43732701	ASS'Y,PAPER TRAY		1
4	43732801	ASS'Y,HINGE,LIGHT(Right)		1
5	43732901	ASS'Y,HINGE,HEAVY(Left)		1
6	43733901	ASS'Y,STOPPER		1
7		ASS'Y,ADF DOCUMENT(with Hinge)		1
8	43734001	ASS'Y,PAD		1
9	44151501	Roller-ADF		1
10	44202001	ADF LEVER RELEASE		1

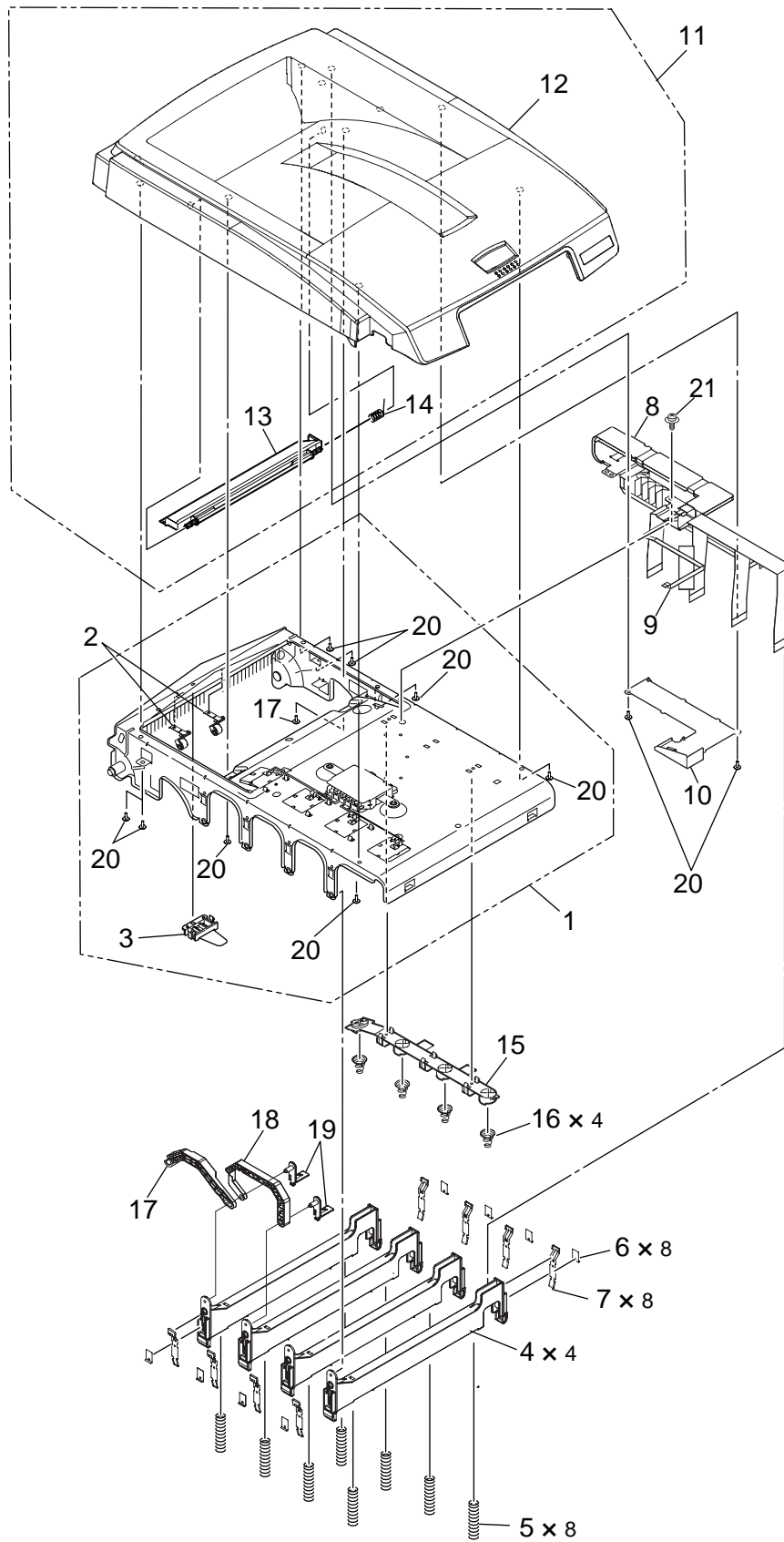
# Parts Layout



No.	Part No.	Part Name	Remarks	Q'ty /Unit
1		Cover Assy.-Top©		1
2	43296404	Frame Assy.-OP(C)	ODA	1
3	43363411	Belt Unit		1
4	43363201	Fuser Unit(ODA 120V)	ODA(120V)	1
4	43363202	Fuser Unit(ODA 230V)	ODA(230V)	1
5	43131301	OR-PRY	Board-PRY	1
6		Sensor Assy.-Color-Regist		1
7		Cover-Driver		1
8		Plate Assy.-Shield(PCL)		1
9	43573901	OR-Board-PRF	Board-PU	1
10		TW-VF/SMCD12-40-1.0	PU-CU	1
11	43614811	PX735MFP_MLK CU PCB-Assy Maintenance		1
13		Plate Assy.-Side R		1
14	43076203	Eject-Assy		1
15		Plate Assy.-Base		1
16		Plate Assy.-Side L		1
17	43031601	PWR unit-DCDC	High Voltage	1
18	43393801	CONN-High Voltage(Bend)		1
19	43070402	Cassette Assy.		1
20	42088801	Frame-Separation-Assy.		1
21	42089001	Spring-Separation		1
22		Cover Assy.-Hopping		1
23	43077405	Feeder-Unit		1
24		Plate-Driver(PU)(Caulking)		1
25		Gear-Idle-Belt-Z20Z93		1
26		Plate-Lockout-ID		1
27	43078702	Cover Assy.-FaceUP		1
28		Cover-Sub Assy.-Rear		1
29	43295201	LED Head Unit-51STA		4
30	43289101	OR-Motor-FAN(80)	FUSER	1
31		Guide-Cable(Maintenance)		1
32	42997802	PWR unit-ACDC Switch	Power Unit (LOW Voltage)100V	1
32	43455902	PWR unit-ACDC Switch	Power Unit (LOW Voltage)200V	1
33		Spring-BeltFuse		2
34		Thermistor-Belt		1
35		Shaft-Liftup		1
36	42060701	Bush		1
37	43075201	Gear-LiftupL-Z32		1
38	43075501	Gear-LiftUpLinkL-Z56		1
39		Plate-Heat		1
40		Spring-Torsion(L)		1
41		Spring-Torsion(R)		1
42	43544301	CONN Cord-Wire POW		1
42	44025501	CONN Cord-Wire POW		1
43	43544302	CONN Cord-Wire- USB		1
44		Stay-Guide-L-Assy		1

No.	Part No.	Part Name	Remarks	Q'ty /Unit
45		Stay-Guide-R-Assy		1
46		9714N-20Z03-G4C		1
48		Cover-Stay(L)		1
49		Cover-Stay(R)		1
50		Plate-Shield-Drawer		1
51		Clamp-Cable		2
52	43348901	CONN-Cord-FlexyDP(Bend)	PU-PRY	1

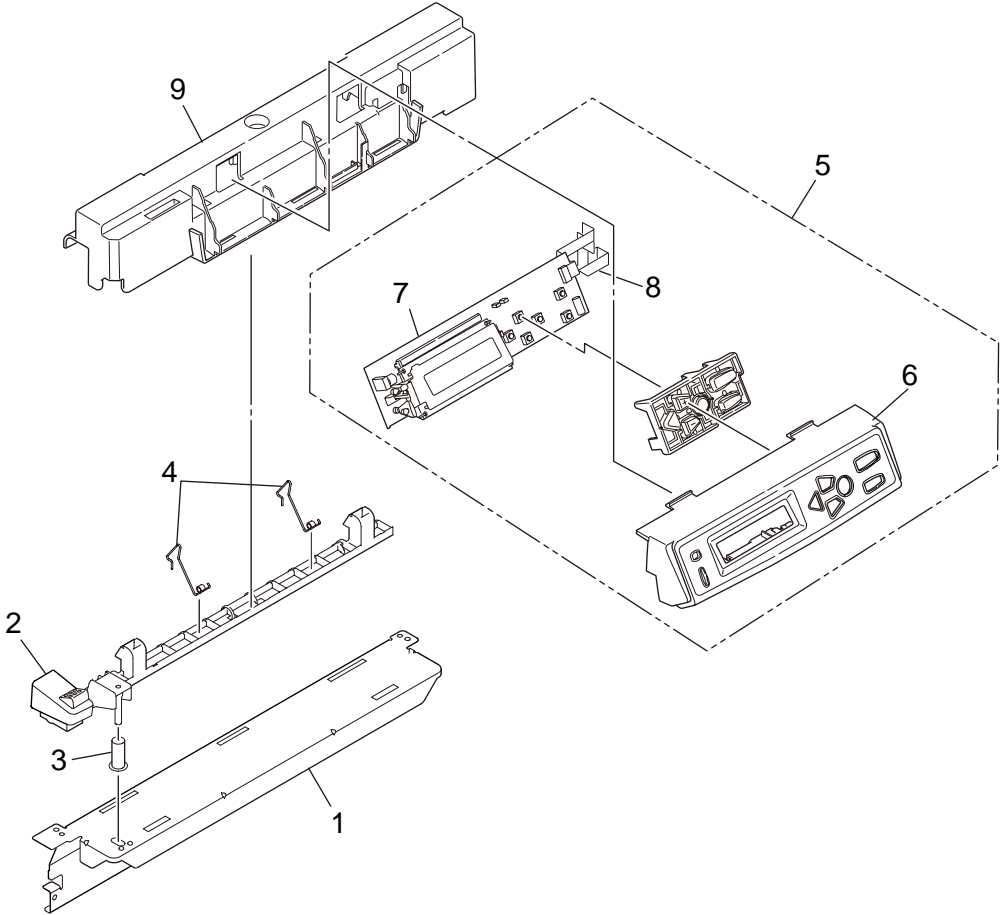
# Top\_Cover\_Assy



No.	Part No.	Part Name	Remarks	Q'ty /Unit
1		Plate Assy.-Inner		1
2	43296001	Roller Assy.-Idle(FD)		2
3		Guide Assy.-Paper		1
4	43265201	Holder-Head		4
5	43213201	Spring-Head		8
6		Plate-Stopper		8
7		Plate-FG-Head		8
8	43239001	Cable Assy.-Head		1
9	43297001	Cable-RFID(bend)		1
10		Cover-Cable		1
11		Cover Assy.-Top(Sub)-C		1
12		Cover-Top(C)		1
13	42115704	Cover-Top(Sub)		1
14	42293101	Spring-Torsion(Sub)		1
15		Holder-SP(Inner)		1
16		Spring-Compression(ID)		4
17		Link-A		1
18		Link-B		1
19		Holder-Post		2

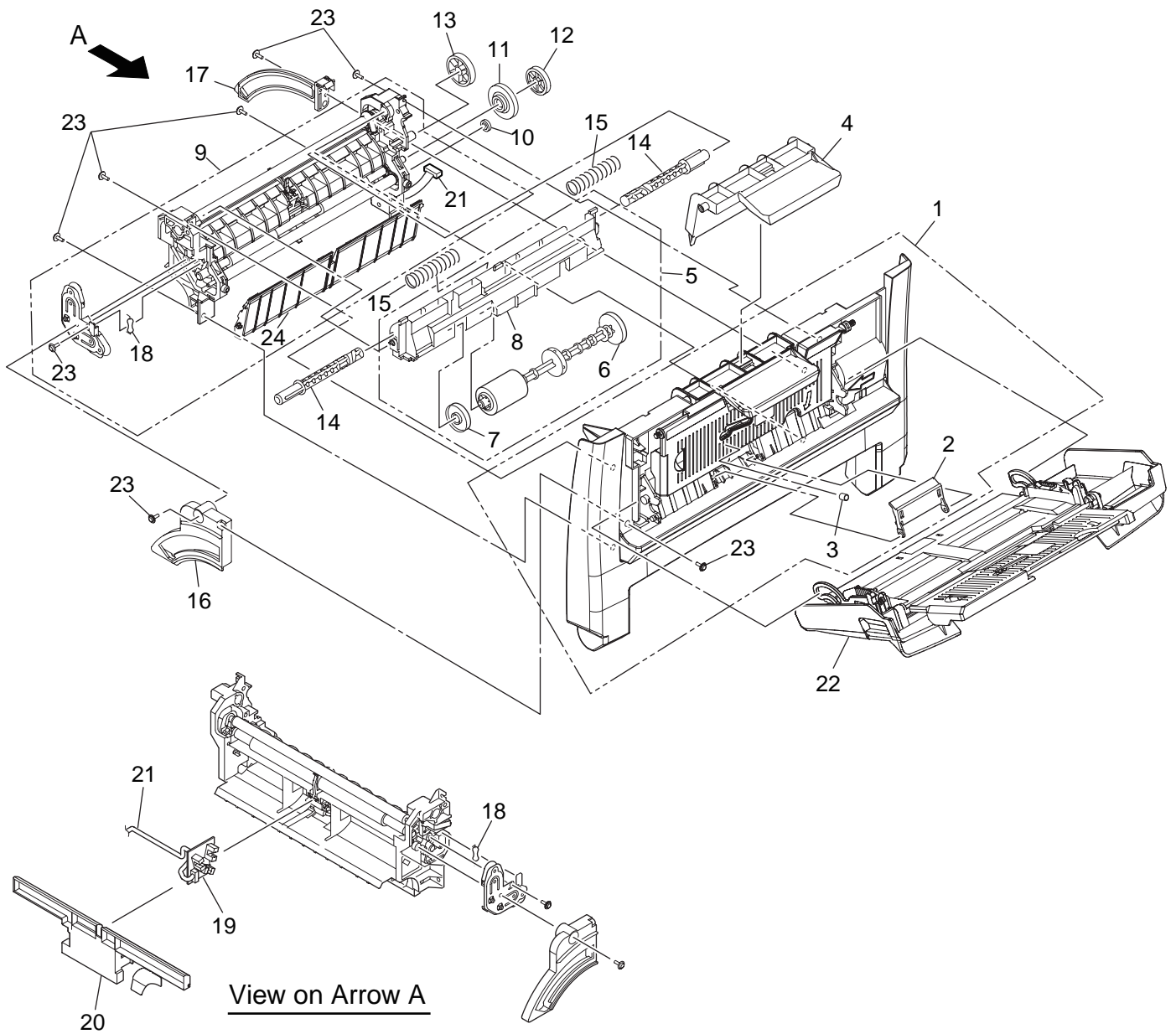


Control\_Panel\_Assy (C)



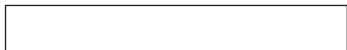


# Feeder\_Unit

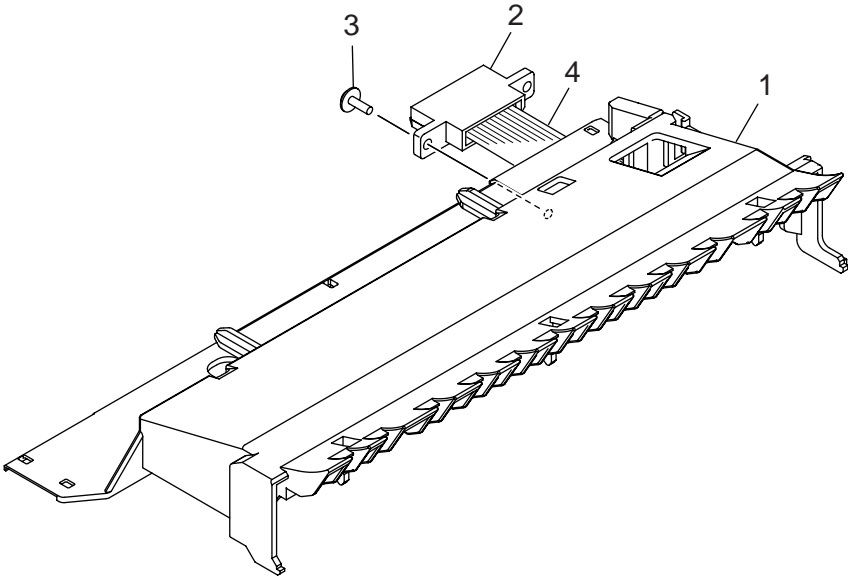




No.	Part No.	Part Name	Remarks	Q'ty /Unit
1		Cover-Front(MFP)		1
2	42069701	Frame Assy.-Separator		1
3	42069901	Spring-Separator		1
4		Lever-Release-F		1
5		Guide Assy.-TOP		1
6	43334701	Shaft Assy.-MPT		1
7	42299701	Roller-Guide		1
8		Guide-Sheet-Top		1
9		Feeder-Assy.-Resist		1
10		Gear-Puressure		1
11		Gear-Regist-L(24-54)		1
12		Gear-Z42		1
13		Gear-Idle-MPT(26-50)		1
14		Post-Slide		2
15		Spring-Release-F		2
16		Stay-Front-L		1
17		Stay-Front-R		1
18		OR-RES-High-Voltage-Z		1
19	42135802	Board-RSF	Front Sensor	1
20	42071001	Cover-SNS		1
21	43093601	CONN Cord-AMP5P-AMP5P	RSF-PU	1
22	43387101	MPT-Cover Assy.-PX734(C)		1
24		Guide-Inner		1

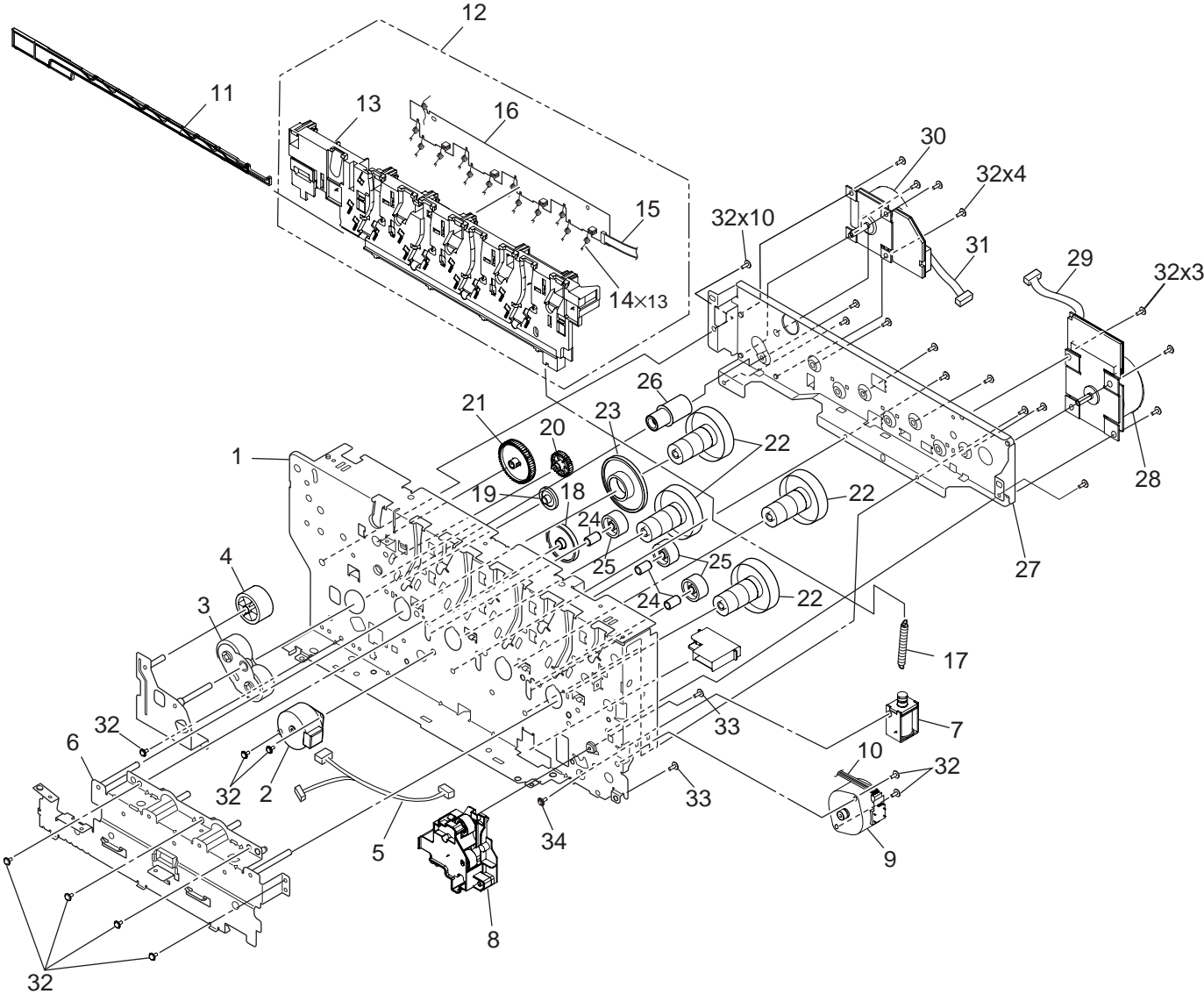
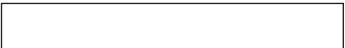


**Cover\_Assy-Hopping**



No.	Part No.	Part Name	Remarks	Q'ty /Unit
1		Cover-Hopping		1
2		9715B-11Z02-G4C		1
4	43137901	CONN Cord-JST22P-AMP10PAMP11P		1

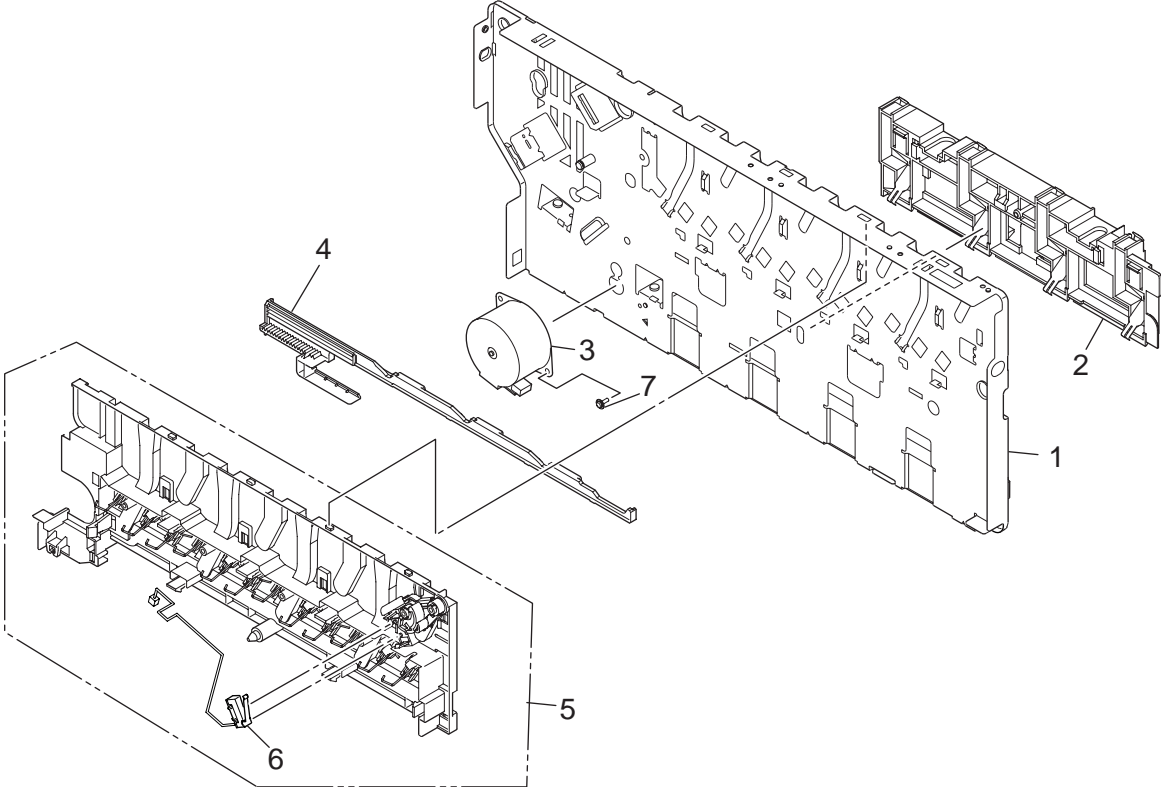
Plate\_Assy-Side\_R



No.	Part No.	Part Name	Remarks	Q'ty /Unit
1		Plate Side R (Caulking)		1
2	43276201	OR-Motor_Pulse_Liftup		1
3	43072101	Gear-Planet-Assy		1
4	43085301	Gear-Idle-Exit-Z32		1
5	43138001	CONN Cord-AMP8P-AMP4PAMP4P	Belt/IDUP Motor-PU	1
6		Bracket-Inner(Caulking)		1
7	42058303	Solenoid		1
8	43073201	Gear Assy.-HP		1
9	43276301	OR-Motor_Pulse_HOP		1
10	43093301	CONN Cord-AMP4P-AMP4P	HOP Motor-PU	1
11		Link-LiftUp-R		1
12		Cover-PlateR-Assy		1
13		Cover-Plate-R		1
14	43074401	Spring-Contact-TL		13
15	2381003P0034	TW-VF/SMCD11-150-1.0	PRZ-PU	1
16	43131601	OR-PRZ	Board-PRZ Toner Sensor	1
17	43131601	OR-PRZ		1
18	43071101	Gear-LiftUp-Z83Z25		1
19	43071601	Gear-IdleLiftup-Z28		1
20	43071701	Gear-LiftupR-Z32		1
21	43071901	Gear-LiftUpLinkR-Z56		1
22	43070701	Gear-Idle-DrumZ24-102		4
23	43071201	Gear-LiftUp-Z121Z34		1
24	43074501	Stopper-GearID		3
25	43070801	Gear-Idle-Z44		3
26	43074601	Gear-Idle-Heat_Z14-32		1
27		Plate-Bracket-Outer58M		1
28	43072001	Motor-DC-ID-58M		1
29	43138101	CONN Cord-AMP10P-AMP10P	ID Motor-PU	1
30	43070601	Motor-DC-FU-45M		1
31	43138301	CONN Cord-AMP9P-AMP9P	Fuser Motor-PU	1

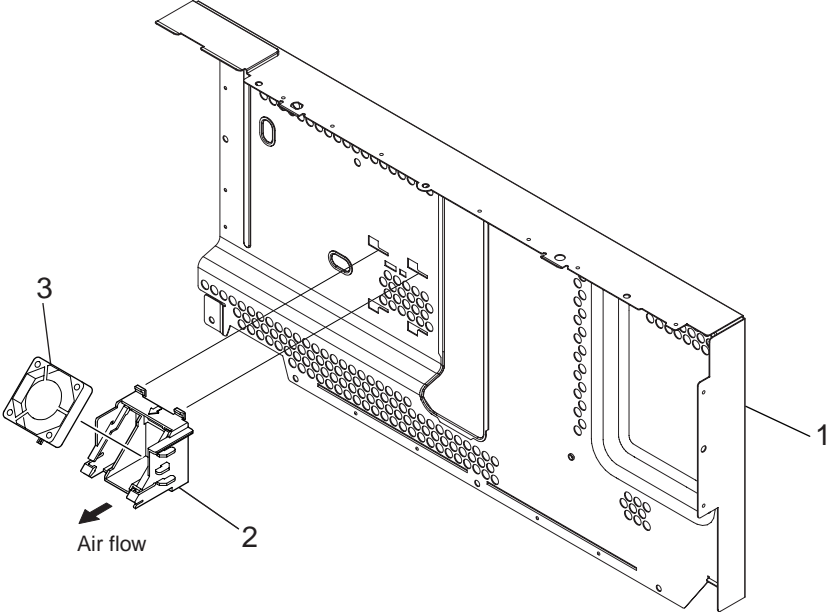


Plate\_Assy-Side\_L



No.	Part No.	Part Name	Remarks	Q'ty /Unit
1		Plate Side L Caulking		1
2	42060402	Contact-Assy		1
3	43276401	OR-Motor_Pulse_Belt		1
4		Link-LiftUp-L		1
5		Guide-Assy.-Side-L		1
6	42611101	Micro switch-Assy.		1

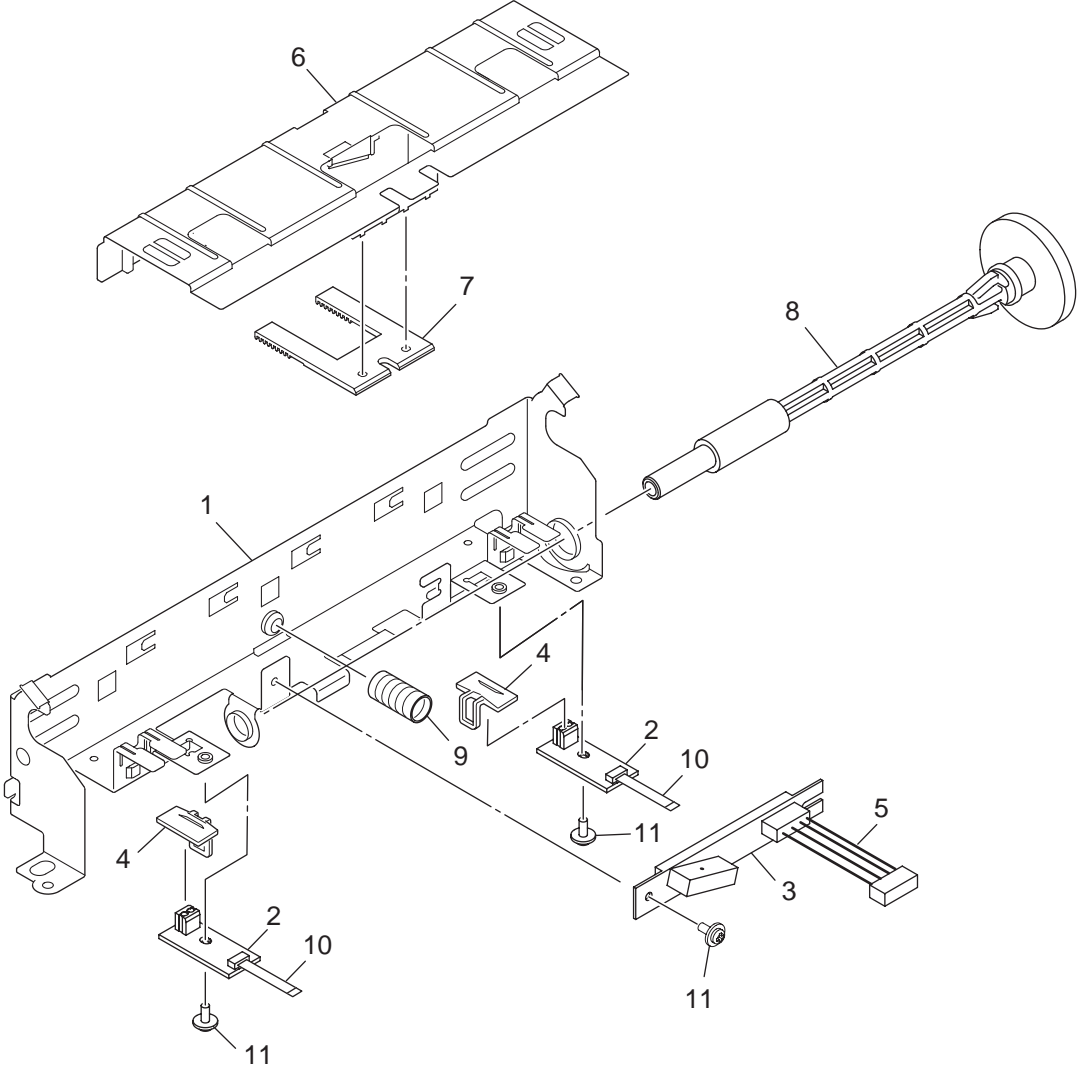
Plate\_Assy-Shield





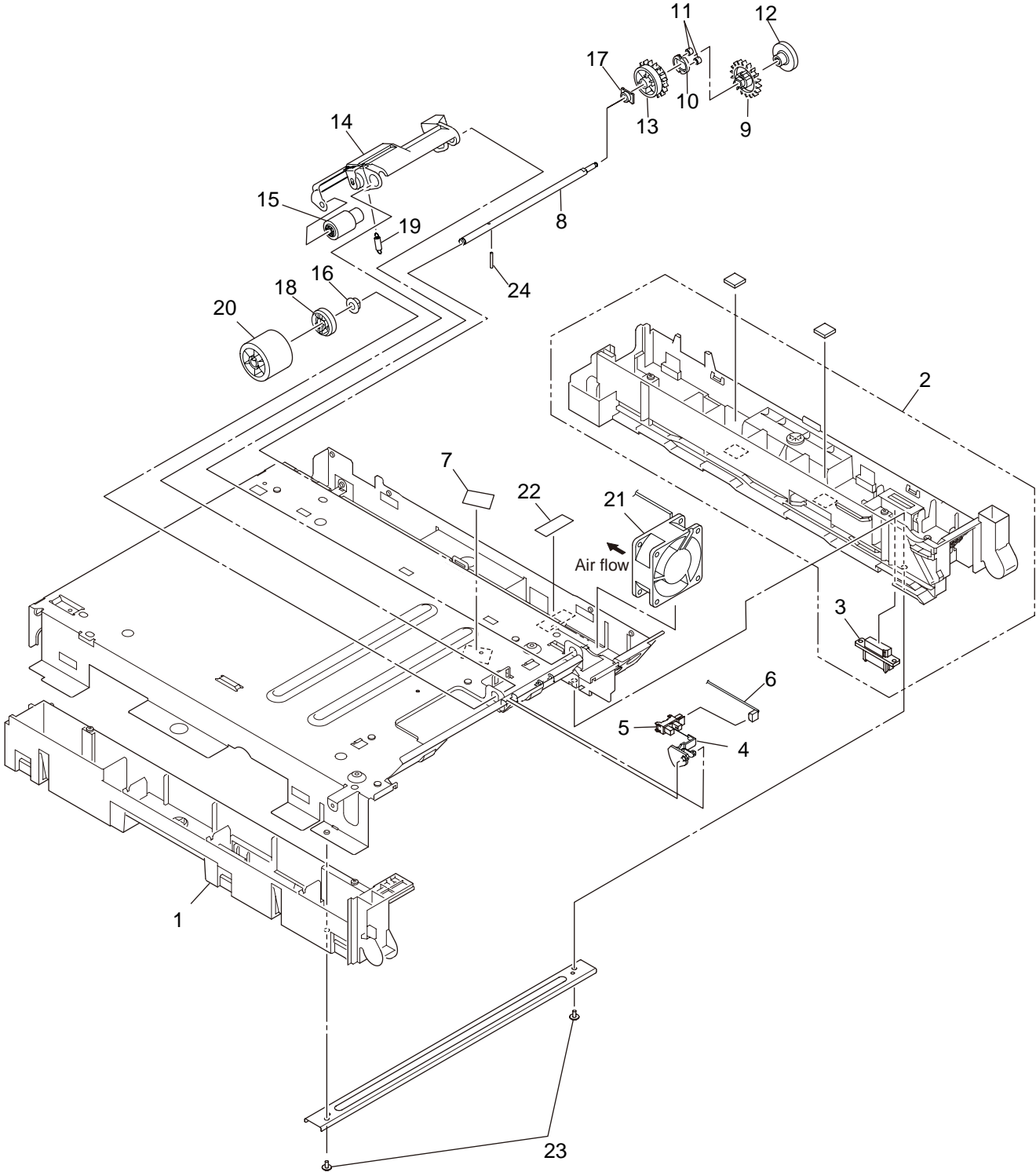
No.	Part No.	Part Name	Remarks	Q'ty /Unit
1		Plate-Shield-A		1
2		Holder-Fan-CU		1
3	42861201	Motor-Fan(CU)		1

# Sensor\_Assy-Regist



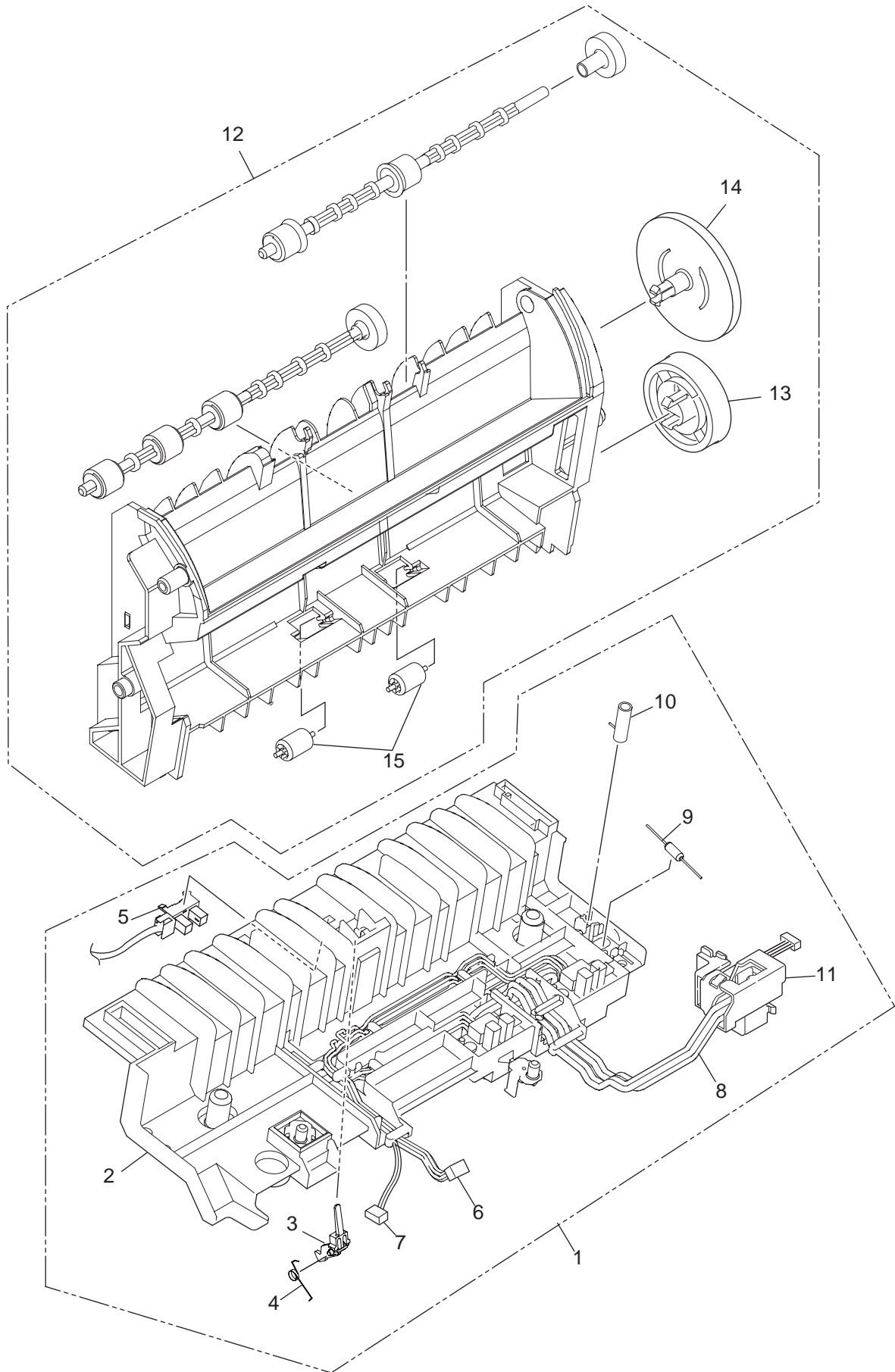
No.	Part No.	Part Name	Remarks	Q'ty /Unit
1		Plate-Sensor-C.Resist		1
2	42613701	Board-PRC	Color Regist	2
3		GP2TC2J000F	Density	1
4		Plate-Guard-Sensor		2
5	42610601	CONN Cord-MOLEX5-MOLEX5	Density-PRY	1
6		Cover-C.Resist(Adhesive)		1
7		Gear-Cover-Sensor(Rack)		1
8	42065801	Shaft-Cover-Sensor		1
9		Spring-Cover-Sensor		1
10	2381003P0062	TW-VF/SMCD4-50-1.0	PRC-PRY	2

# Plate\_Assy-Base



No.	Part No.	Part Name	Remarks	Q'ty /Unit
1		Guide Assy.-Cassette-L		1
2		Guide Assy.-Cassette-R		1
3	2233013P0100	9715B-10Z02-G4C		1
4	42050401	Lever-End		1
5	40135301	Photo-Interrupter	Paper END	1
6	43093701	CONN Cord-JST3P-AMP3P	PU-Paper END	1
8		Shaft-Hopping		1
9	42050801	Stopper-HP		1
10	42050901	Holder-Planet-HP		1
11	42051001	Gear-Planet(Z12)-HP		2
12	42051101	Gear-Z24-50-HP		1
13	42051201	Stopper-Z45-48-HP		1
14		Bracket-Assy.-Sub		1
15	43334801	Roller Assy.-Sub		1
16		Bush		1
17		BEARING A		1
18	42052301	Gear-Hopping(Z38)-HP		1
19		Spring-Sub		1
20	43334901	Roller Assy.-Hopping		1
21	43191301	Motor-Fan(60)PowL		1

# Eject\_Assy



No.	Part No.	Part Name	Remarks	Q'ty /Unit
1	43076301	Guide Assy.-Eject-L		1
2		Guide-Eject-Lower		1
3		Lever-Exit-Sensor		1
4	40386501	Spring-SNS(F/R)		1
5	40135301	Photo-Interrupter		1
6	42610902	CONN Cord-	Exit-PRY	1
7	43140301	CONN Cord-AMP8P-AMP4PAMP4P	Fuser-TH	1
8	43155001	CONN Cord-AMP2PAMP2P-JST4P	Heater-AC	1
9		OR-RES-High-Voltage-Z		1
10		Spring-FG		1
11		Guide-Cable-R-734		1
12	43560403	Guide Assy.-Eject-U		1
13	42064702	Gear-Idle-Exit(Z41)		1
14	42064501	Gear-Idle-Exit(Z58)		1
15	42278301	Roller-Sub-G.E.U.		2