

C9650

Spare Parts

Illustration Manual

012908A

Copyright Information

Copyright © 2007 by Oki Data. All Rights Reserved

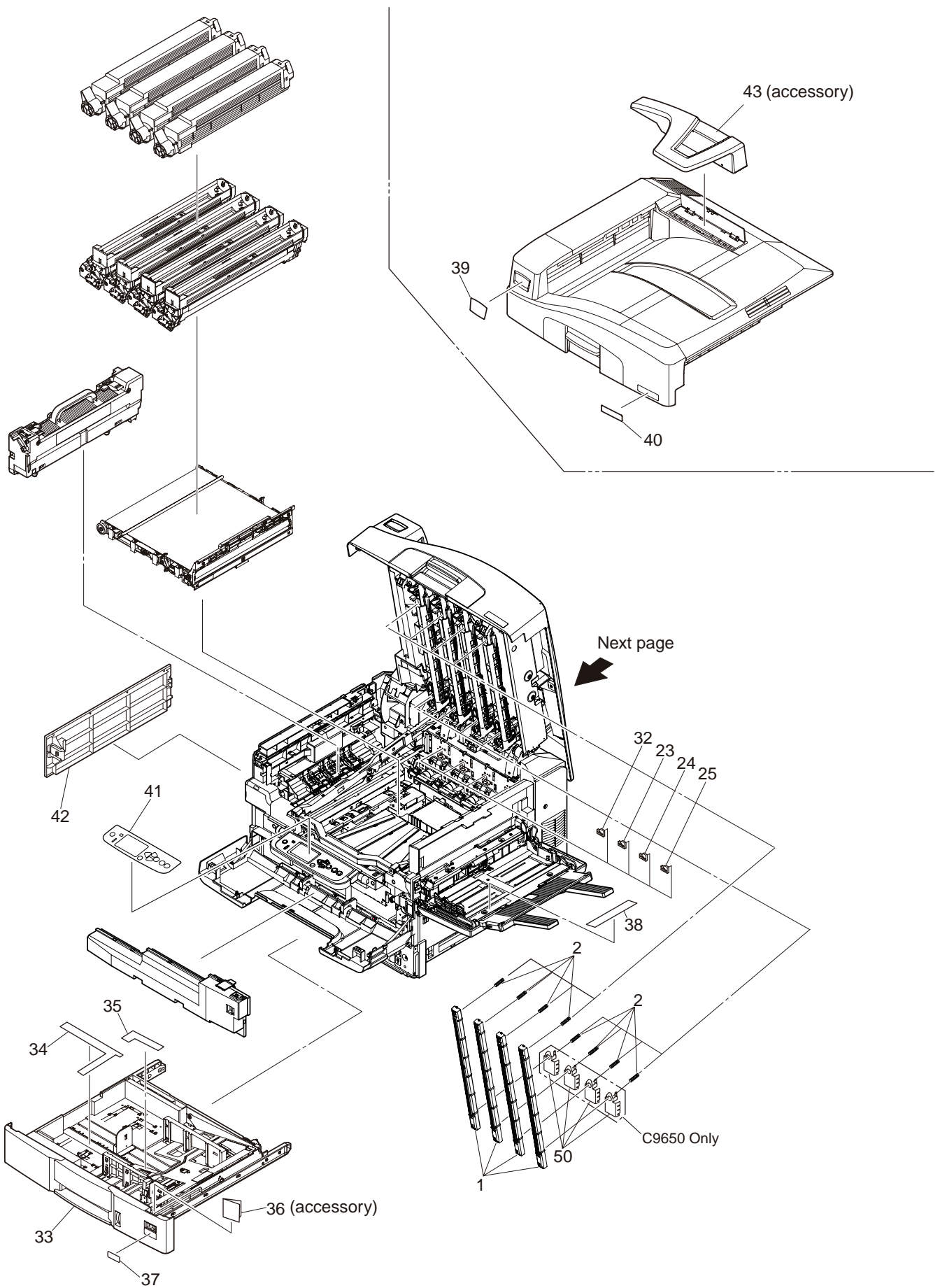
Disclaimer

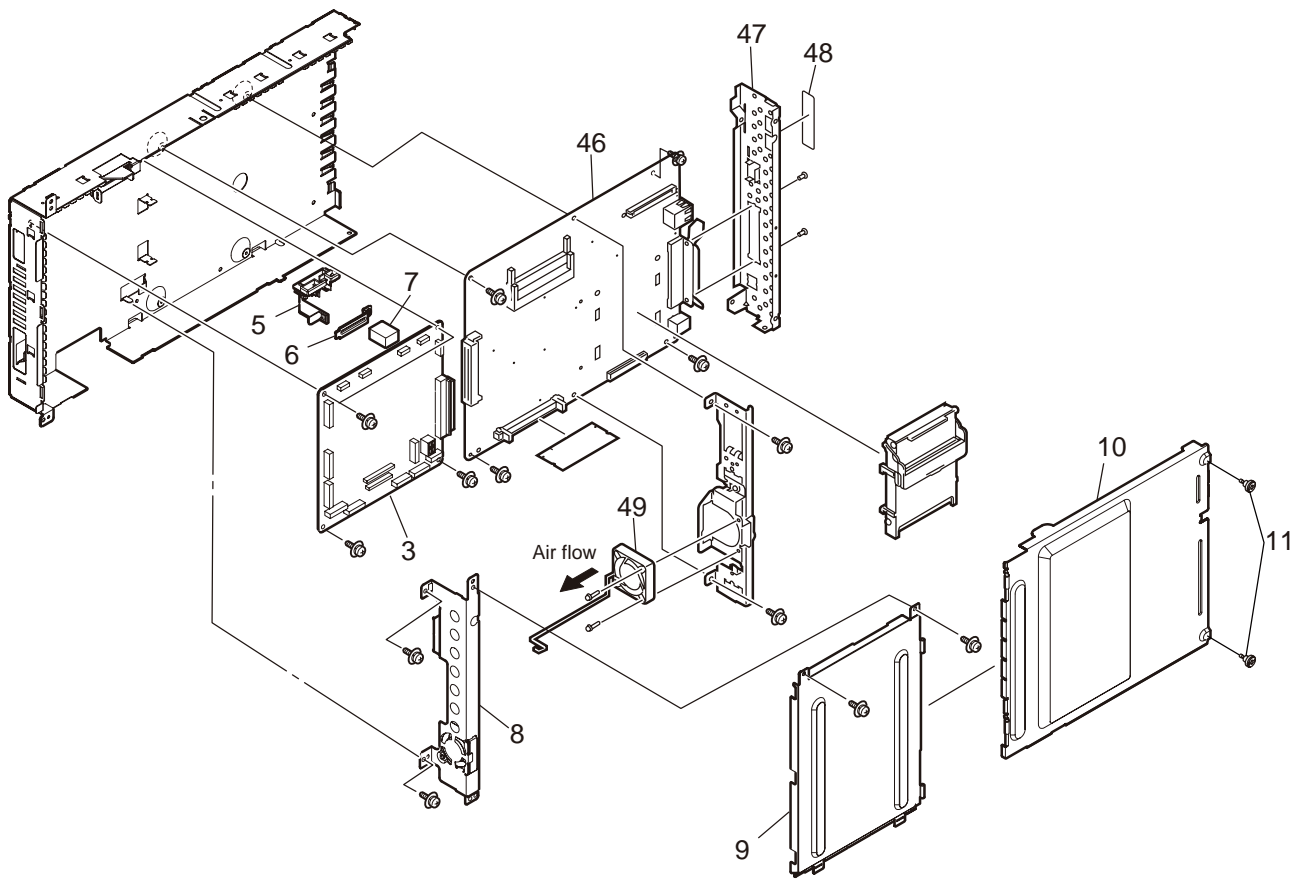
Every effort has been made to ensure that the information in this document is complete, accurate, and up-to-date. The manufacturer assumes no responsibility for the results of errors beyond its control. The manufacturer also cannot guarantee that changes in software and equipment made by other manufacturers and referred to in this guide will not affect the applicability of the information in it. Mention of software products manufactured by other companies does not necessarily constitute endorsement by the manufacturer.

While all reasonable efforts have been made to make this document as accurate and helpful as possible, we make no warranty of any kind, expressed or implied, as to the accuracy or completeness of the information contained herein.

The most up-to-date drivers and manuals are available from the web site:
<http://www.okiprintingsolutions.com>

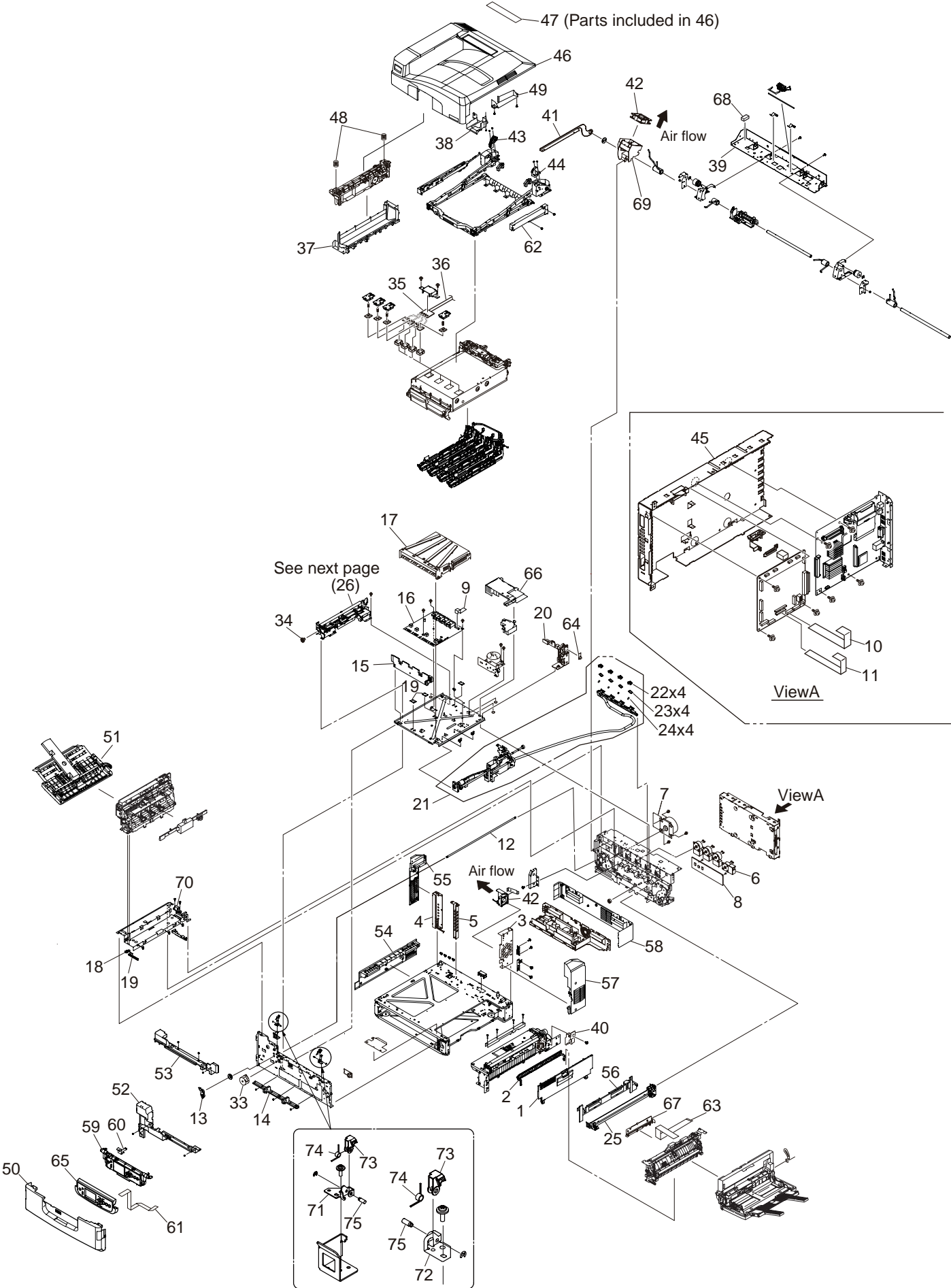
MAIN



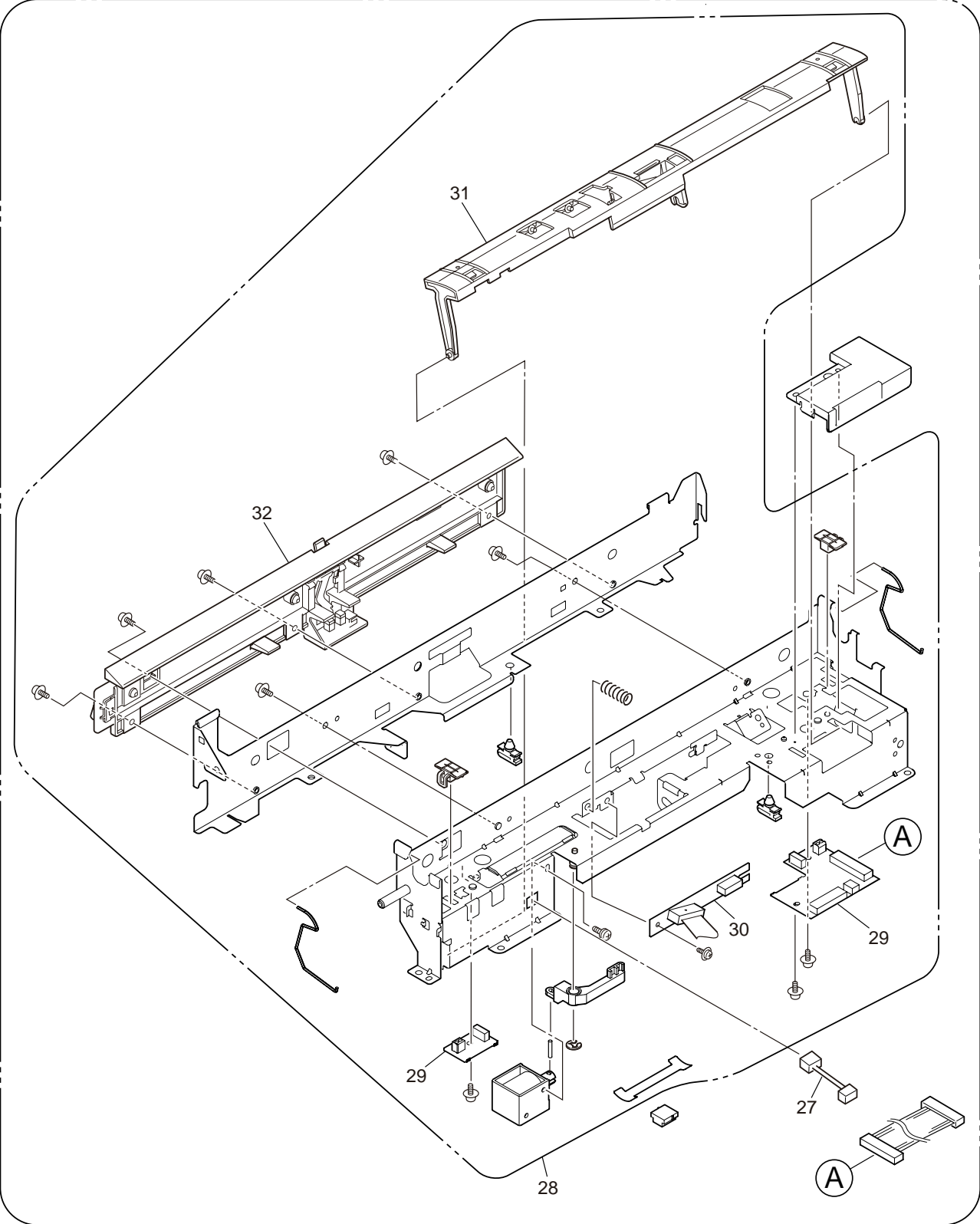


No.	Part No.	Part Name	Remarks
1	43798001	LED Head-Unit-53STF	600dpi
2	42764301	Spring-Head	
3	43819412	OR-S2X	600dpi PU PCB (Engine Board)
4	42821801	OR-Memory-MOSEEPR-	EEPROM(PU)
5	42780701	Code-Clump	
6	42859101	Plate-Clump-HCB	
7		Gasket-HCB	
8	42781301	Plate-Beam	
9	42780901	Plate-Shield	
10	42781101	Plate-Cover	600dpi
11		Screw-Knob	
12	43545701	Board-AS3 for maintenance	
13		EEPROM(CU)	
14		Gasket-Interface-USB-H	
15	43363313	Board-Memory 256MB	DDR-SO DIMM
15	43363314	Board-Memory 512MB	DDR-SO DIMM
16	42936006	HDD Assy 40GB	
17		Plate-Blind-BYN	
18		Film-Blind	
19	43679001	Motor-Fan	
20	43657801	Motor-Fan	
21	43604001	OR-Board-BY3	
22	43632701	PCB-FX1	
33	42703601	Case-Cassette-Assy.	
34		Label-Tray-A	
35		Label-Tray-B	
36	41501901	Indicator-Paper-Size	
37		Label-Tray-No	
38		Label-Tray-MPT	
39		Plate-Logo	
40		Plate-Name	
41		Film-OP-Panel	
41		Film-OP-Panel	C9650
42		Cover-Blank(Dup)	
43	42967901	Stopper-Paper	
45		Plate-Interface-AS3-Caulking	
46	43883301	Board-TBX	
47		Plate-Interface-TBX-Caulking	
48		Film-Blind	
49	42861201	Motor-FAN(CU)	

Printer-Unit 1/2



Printer-Unit 2/2

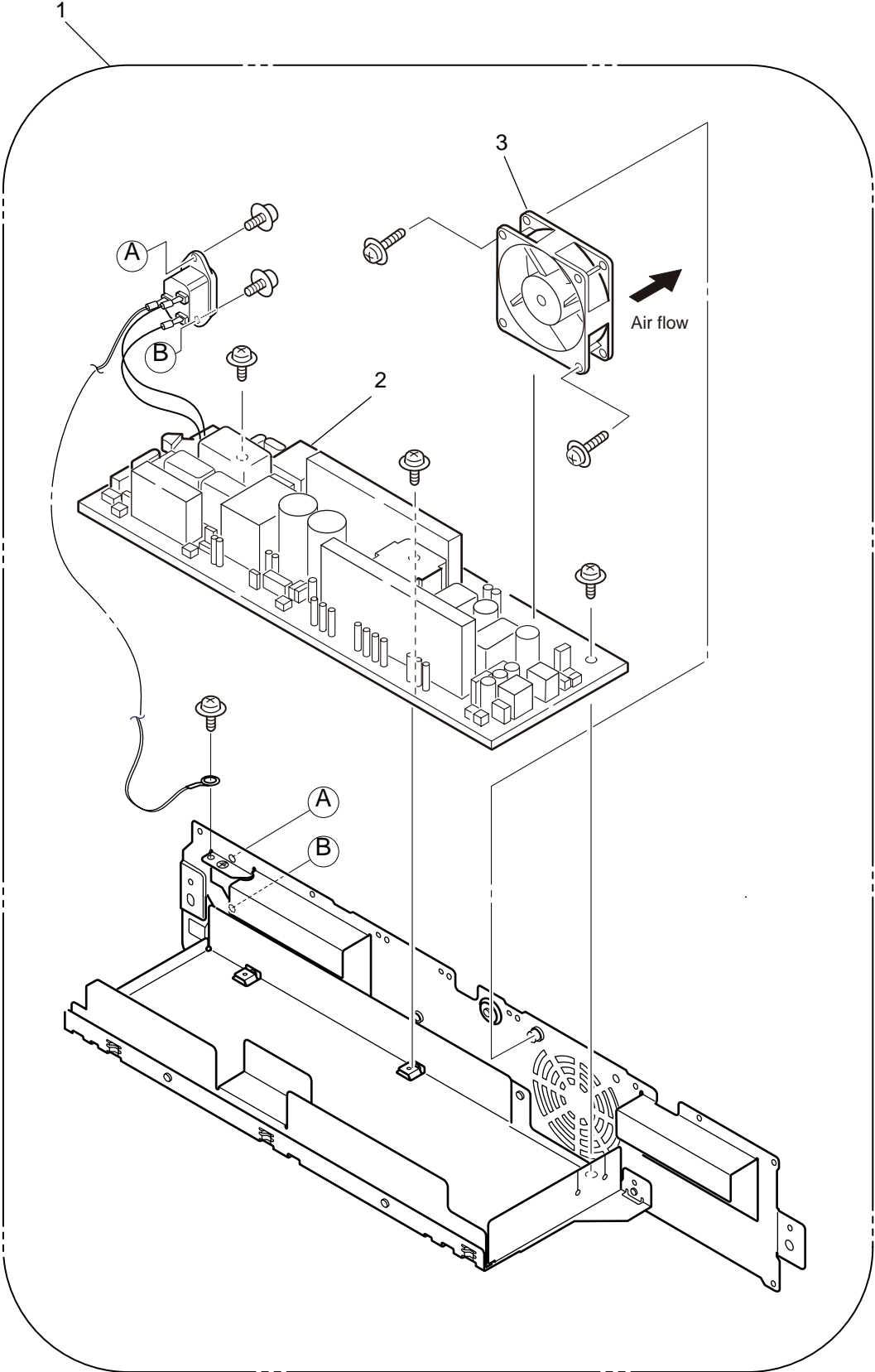


26

No.	Part No.	Part Name	Remarks
1	42702301	Cover-Guide-1st-Assy	
2	42702701	Guide-Paper	
3	42720801	Plate-Support-A	
4	42720901	Plate-Support-B-Assy	
5	42721101	Plate-Support-C	
6	42985001	Motor-DC(ID)	
7	42864302	Motor-DC(FUSER)	
8	43800112	OR-S2P	
9		TW-VF-16-0.1X0.8-420 CONN PAR- -	
10		SMCD-40-160BD(1.0) CONN PAR- -	
11		SMCD-30-160BD(1.0) CONN PAR- -	
12	42736301	Shaft-LiftUp	
13		Planet Assy.-F	
14	42705901	Frame-Holder	
15	42737101	Bracket-HV-Assy	
16	43130502	PWR unit-(HIGH VOLTAGE)	
17	42737601	Cover-HV- Assy.-	
18	40135301	Photo-Interrupter	
19		Cover-Cable-Heat A	
20	42738501	Gear-Duct-ID- Assy.	
21	42967302	Duct-Gear-Assy-N	Assy(Include:No.22-24)
22	42859201	Cap-ID-Adhesive	
23	42773201	Sponge-Cap	
24	42773401	Spring-Cap	
25	42749802	Plate Assy.-MPT Lock	
26	42754701	Sensor-Regist- Assy.	Assy(Include:No.27-28)
27	42646501	CONN Cord-AMP2P-AMP2P	
28	42978901	Sensor-Regist-Sub-Assy	Assy(Include:No.39-32)
29	42888701	OR-S2Z	
30		GP2TC2 SENSOR-Density -	
31	42755401	Shutter- Assy.-	
32	42811301	TARUMI-Sensor Assy.-	
33	42756901	Motor-Pulse-Belt	
34	42757001	Gear-Idle-Belt	
35	43087701	RFID read witer system(incorprated type)	
36		SMCD-9-560BD(1.0) CONN PAR- -	
37	43465402	Job-Offset(Maintenance)	Cover Assy.-Top(Sub)
38	42707301	Cover-Duct(L)	
39		Plate-Shaft-Base	
40	42703101	Cover-SNS	
41	42707401	Plate-Support(Top)	
42	42781701	Motor-Fan	
43		Gear-BKL2	
44		Gear-BKR2	
45	42780001	Plate-Shield-Box- Assy.	
46		Cover Assy.-Top	Assy(Include No.47)
47		Cover-Blank(Top)	
48	42708401	Spring-Comp(Joboff)	
49		Cover-Duct(R)	
50	42708601	Cover Assy.-Front	

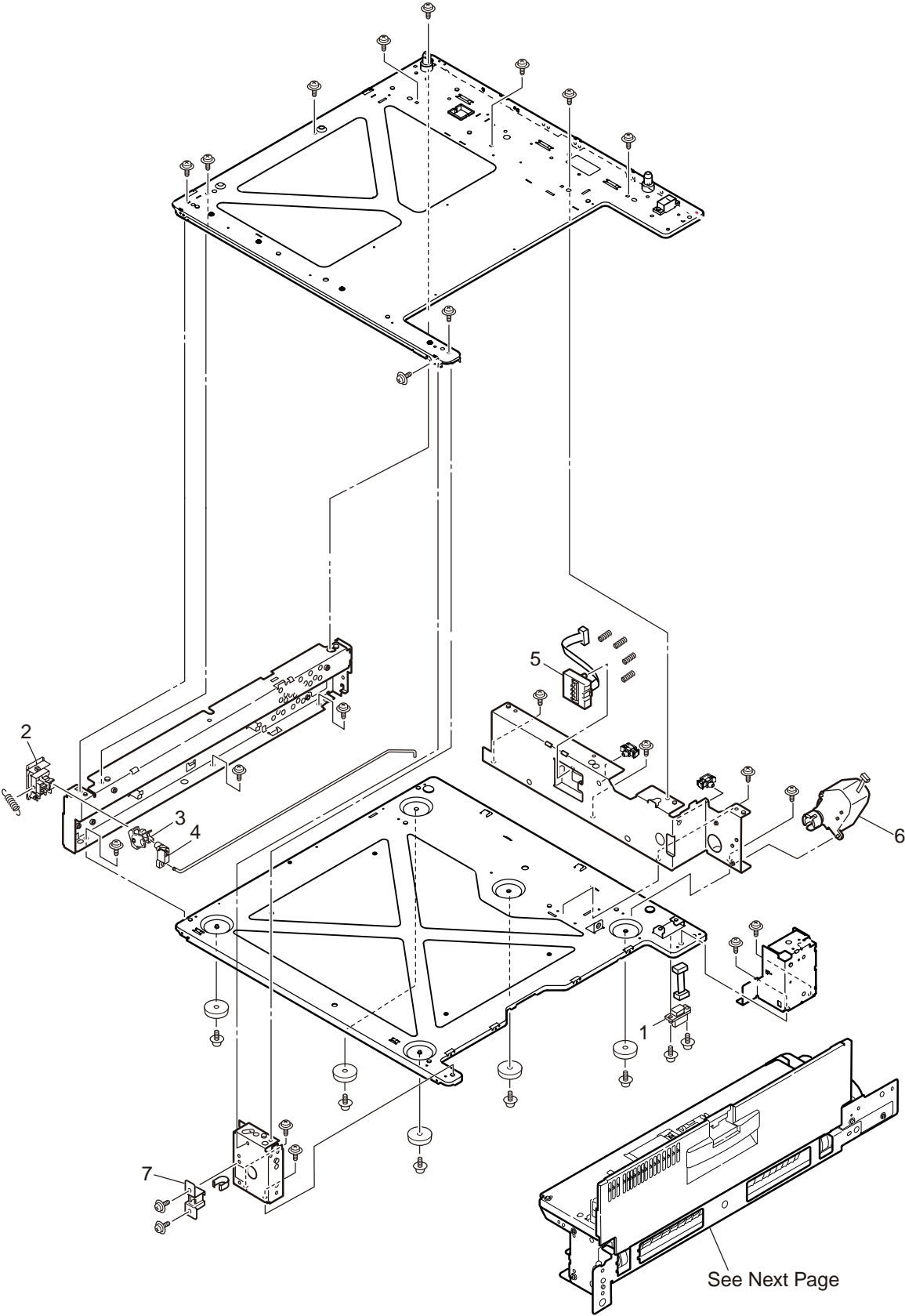
No.	Part No.	Part Name	Remarks
51	42709001	Cover Assy.-FU	
52	42709401	Cover-Guard(L)	
53	42709501	Cover-Guard(Front)	
54	42709701	Cover-Side(L)	
55	42709801	Cover-Side(L)Rear	
56	42709901	Cover-Side(R)	
57	42710001	Cover-Side(R)Rear	
58	42710101	Cover-Rear	
59	42706004	Cover Assy.-OP Panel	
60	42706701	Film-FG	
61		TW-VF-6-0.1X0.8-930 CONN PAR- -	
62	42919201	Guard-R	
63		SMCD-20-370-AD-P1.0 CONN PAR- -	
64	42970901	OR-HAL	
65	42706101	Cover-OP Panel	
66	42914601	Cover-Middle	
67		Cover-Snsor(S2S)	
68	43052901	Spring-Torsion-FG	
69	42707601	Frame-Duct	
70	42651701	CONN Cord-JST4P-JST4P	
71		Plate-Holder-Detent-L	
72		Plate-Holder-Detent-R	
73		Lever-Detent	
74		Spring-Detent	
75		Post-Detent	

Plate-Assy-Power

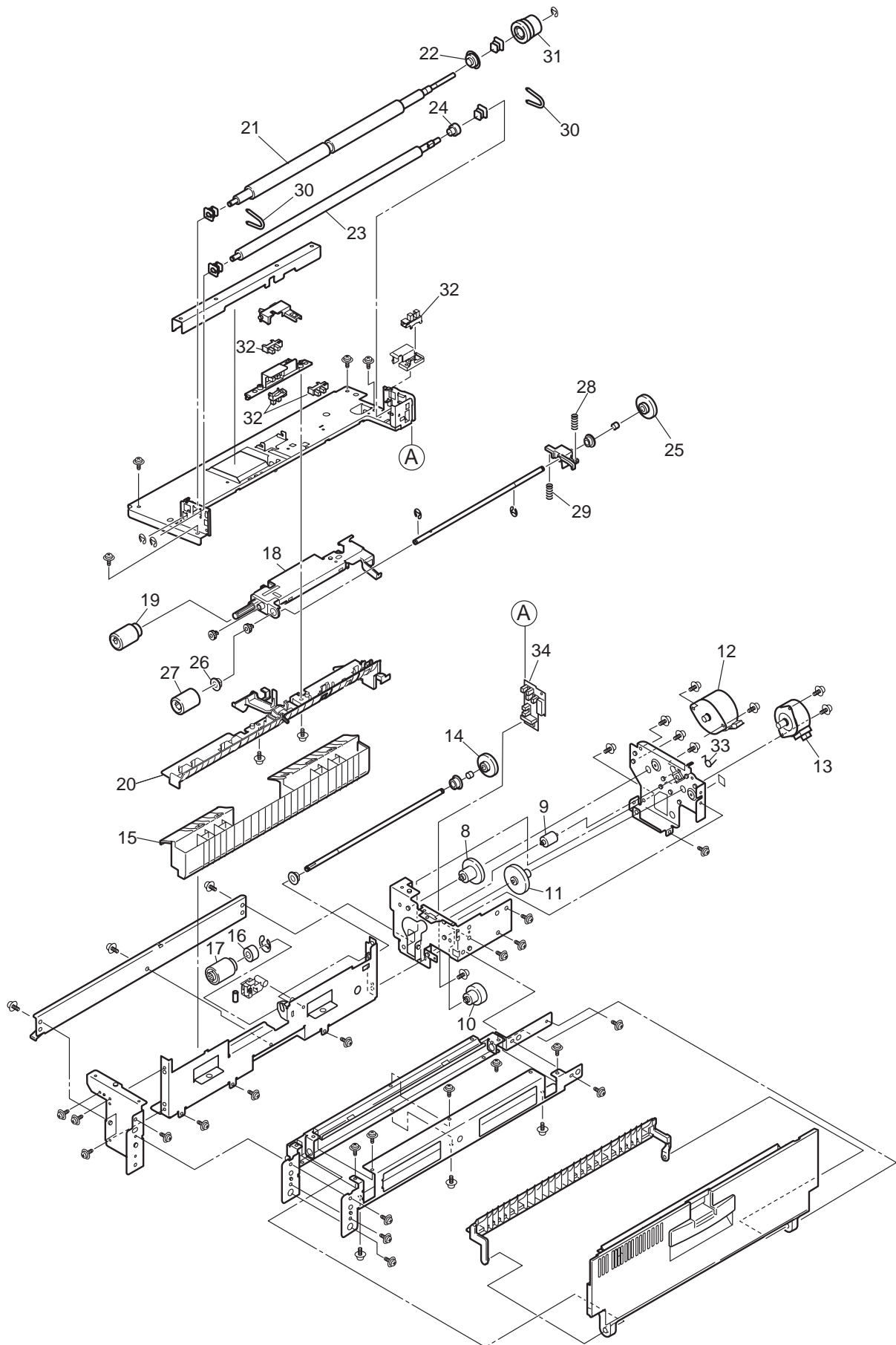


No.	Part No.	Part Name	Remarks
1	42703203	Plate-Assy-Power	100/120V
1	42703204	Plate-Assy-Power	230V
2		PWR unit-ACDC Switch	100/120V
2		PWR unit-ACDC Switch(230V)	230V
3	42703401	Motor-Fan	

Base-Assy 1/2

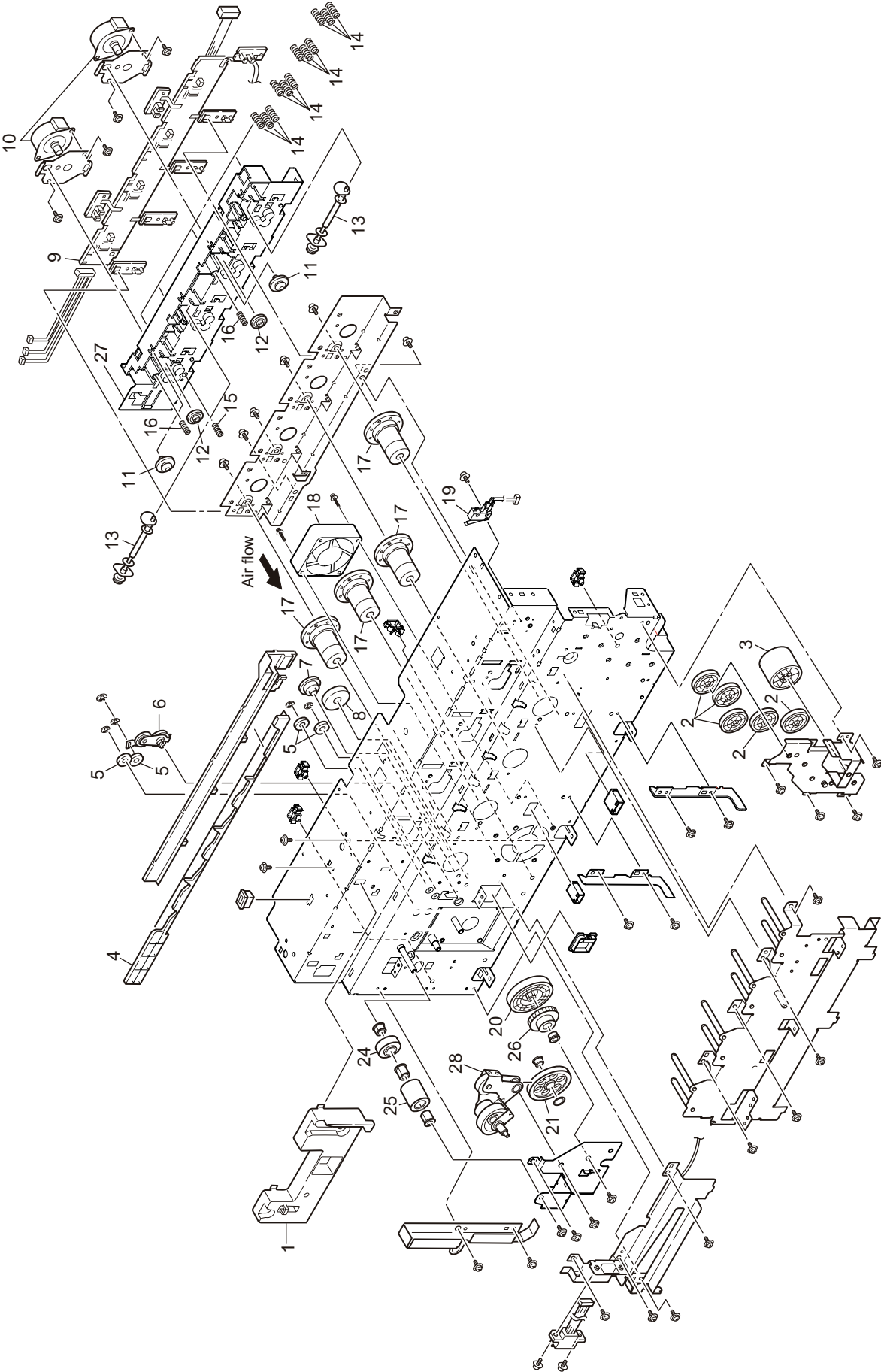


Base-Assy 2/2



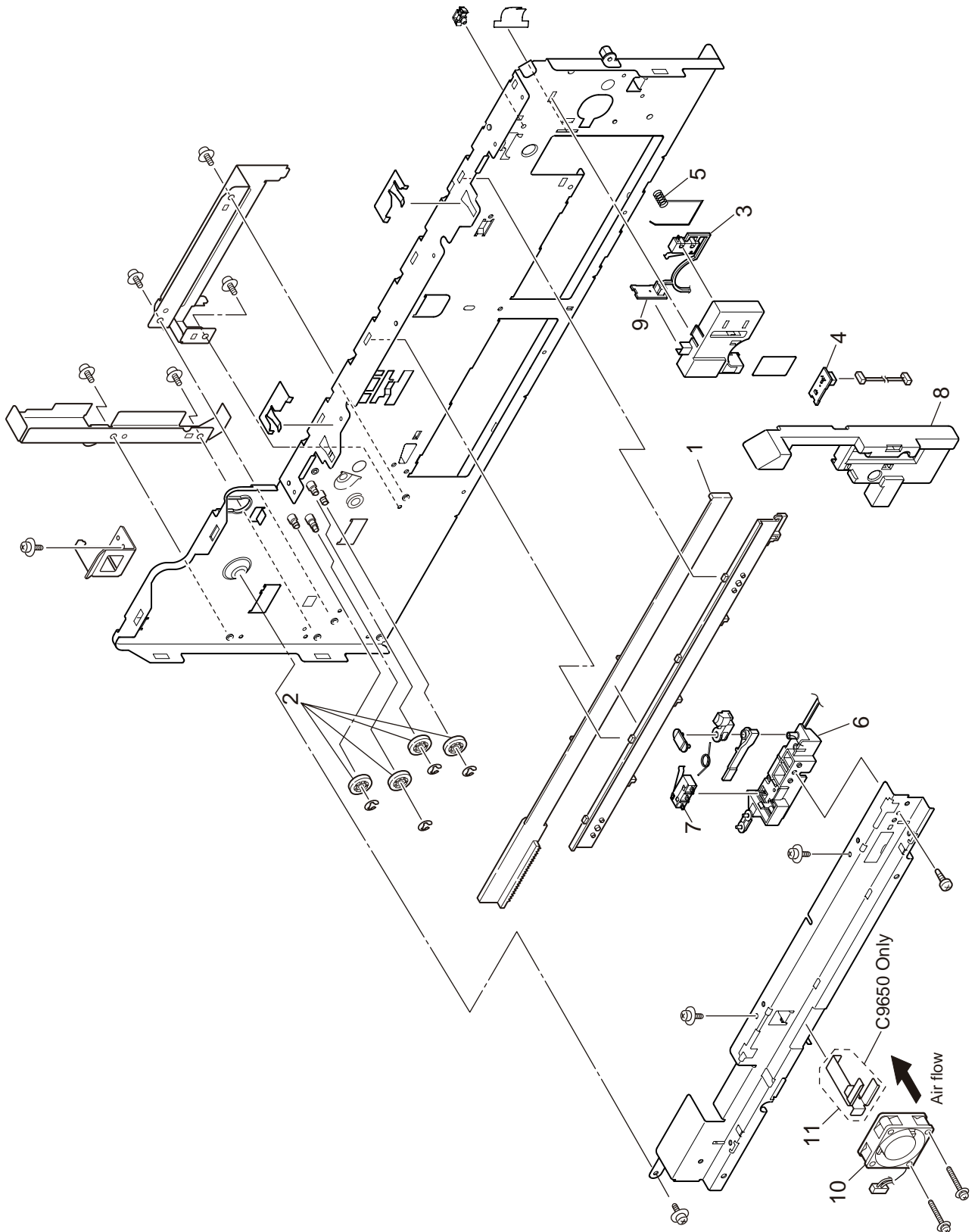
No.	Part No.	Part Name	Remarks
1		IMSA-9714N-14Z02 Connector-SQR -	
2	42693501	Cover-switch	
3	42693701	Switch-AC	
4	42693801	Link-Switch	
5	42694101	Sensor Assy.-	
6	42694601	Geard-Motor(1st)	
7	42695101	Lock-Cassette	
8	42695701	Gear-Hopping-Z68-19	
9	42695801	Gear-Idle-Retard	
10	42695901	Gear-Feed-Z53-18	
11	42696001	Gear-Idle-Z48	
12	42629401	Motor-Pulse-Fuser	
13	42890201	Motor-Pulse-Regist	
14	42698001	Gear-Z38(one-way)	
15	42698201	Guide-Paper-Lower	
16		Torque-Limiter-OTLV	
17	41766501	Roller-Feed	
18	42699001	Roller Assy.-Pick-Up	Assy(Include:No.19)
19	42699401	Roller-Pick-Up	
20	42699601	Frame Assy.-Feed	
21	42700601	Roller-Regist1	
22	40301801	Gear-Regist	
23		Roller-Pressure1	
24		Gear-PRB	
25	42698001	Gear-Z38(one-way)	
26		Gear-Feed	
27	43000601	Roller-Feed-NOW	
28	42701501	Spring-PickUp	
29	42701601	Spring-Release	
30	42701801	Spring-Regist	
31	42863401	Gear-Assy-Clutch	
32	40135301	Photo-Interrupter	
33	42999001	Spring-FG-CL1	
34	42868401	OR-S2C	

Side-R-Assy



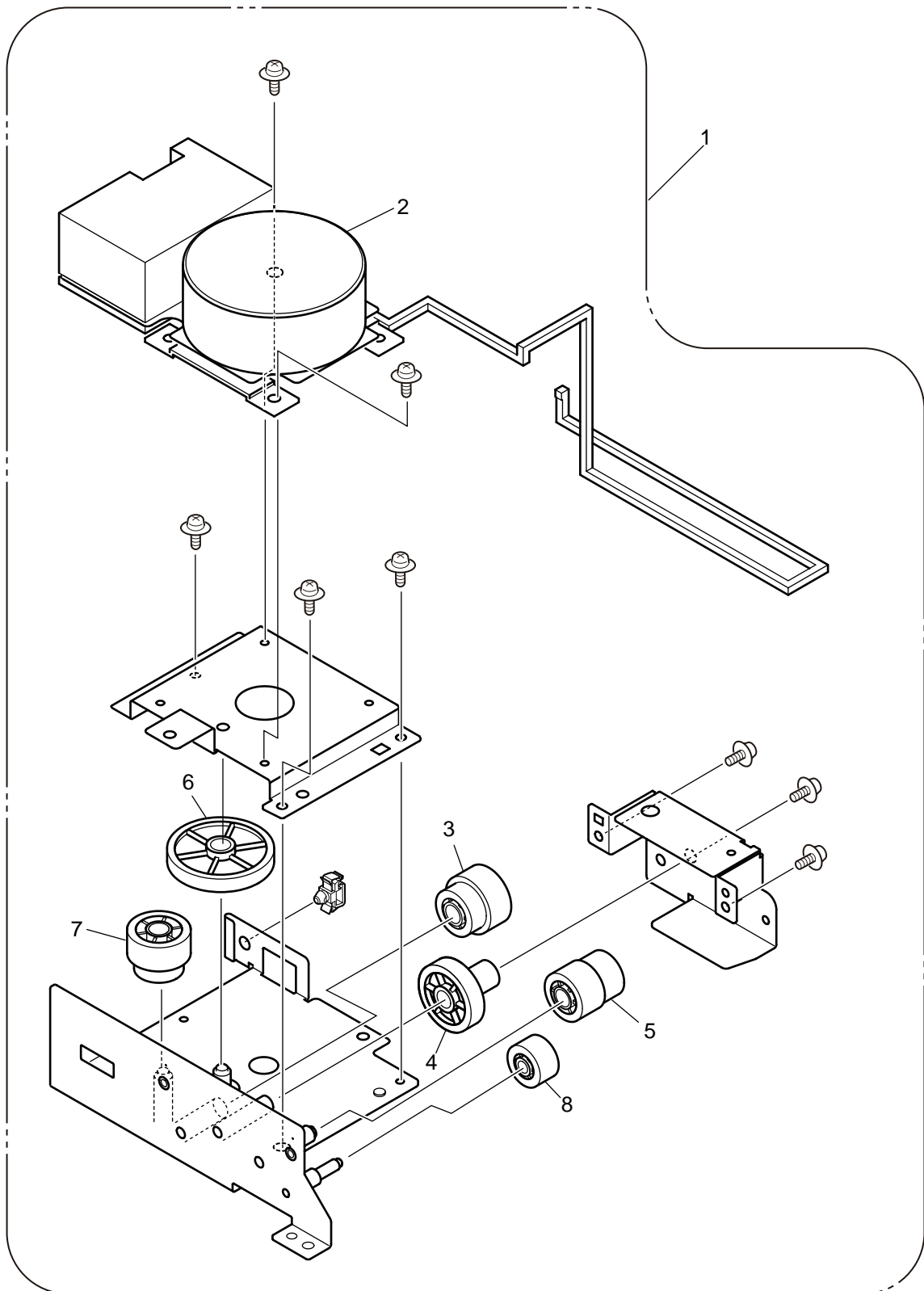
No.	Part No.	Part Name	Remarks
1	42839601	Guide-Bracket-FU	
2	42724601	Gear-idle(Z39)	
3	42724801	Gear-Idle(Z44)	
4		Slider-Liftup-R	
5	42730101	Gear-Idle-Link	
6		Planet Assy.-R	
7	42828301	Gear-Idle-Liftup-Z20-30	
8	42730701	Gear-Idle-Lift-UP-Z37	
9	42868301	OR-SGG	
10	42863901	Motor-Pulse(Toner-Shutter)	
11		Gear-Z14-42	
12		Gear-Z14-35	
13		Camshat	
14		Spring-ID-Fuse	
15		Spring-FG	
16	43027601	Spring-Press-FG	
17	42960701	Gear-Idle-Drum	
18	42743801	Motor-Fan	
19	42983401	CONN Cord-JST5P-SW	
20	43049801	Gear-Z77-FU	
21	43049901	Gear-Z47-FU	
22	43050001	Gear-Z14-Z24-FU	
23	43050101	Gear-Planet-Z16-FU	
24	43050201	Gear-Z20-FU	
25	43050301	Gear-Z17-FU	
26	43050401	Gear-Z16-FU	
27		Guide-Rear	

Side-F-Assy



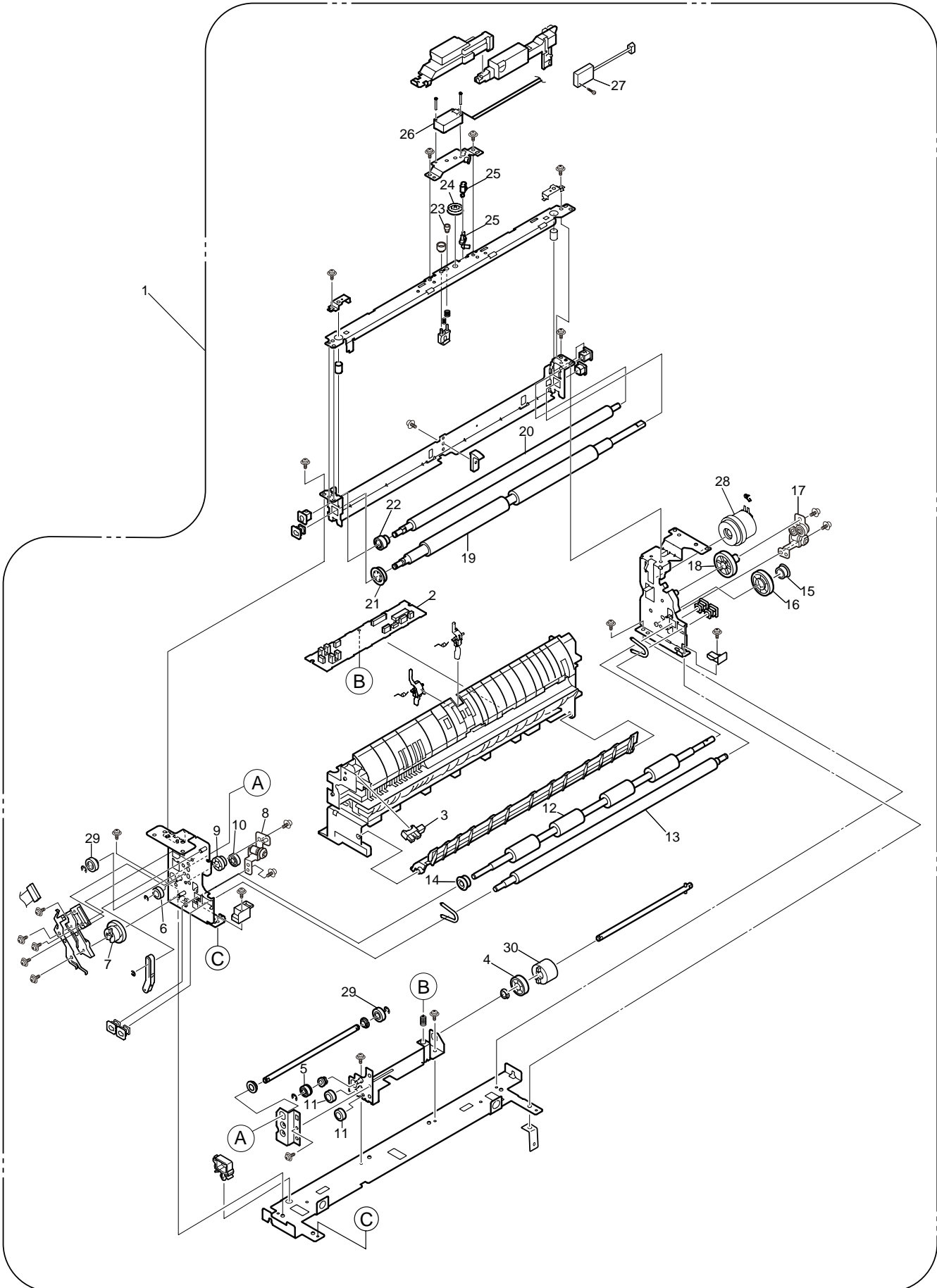
No.	Part No.	Part Name	Remarks
1		Slider-LiftUP-F	
2	42730101	Gear-Idle-Link	
3	42650501	CONN Cord-AMP2P-SW	
4	42970901	OR-HAL	
5	43056301	Spring-FG-SW-F	
6	42736601	Holder-Cover-Open-SW	
7	42538001	CONN Cord-JST2P-SW	
8	42709601	Cover-Guard(R)	
9	42970901	OR-HAL	
10	42763302	Motor-Fan	

Duct-Drive-Assy



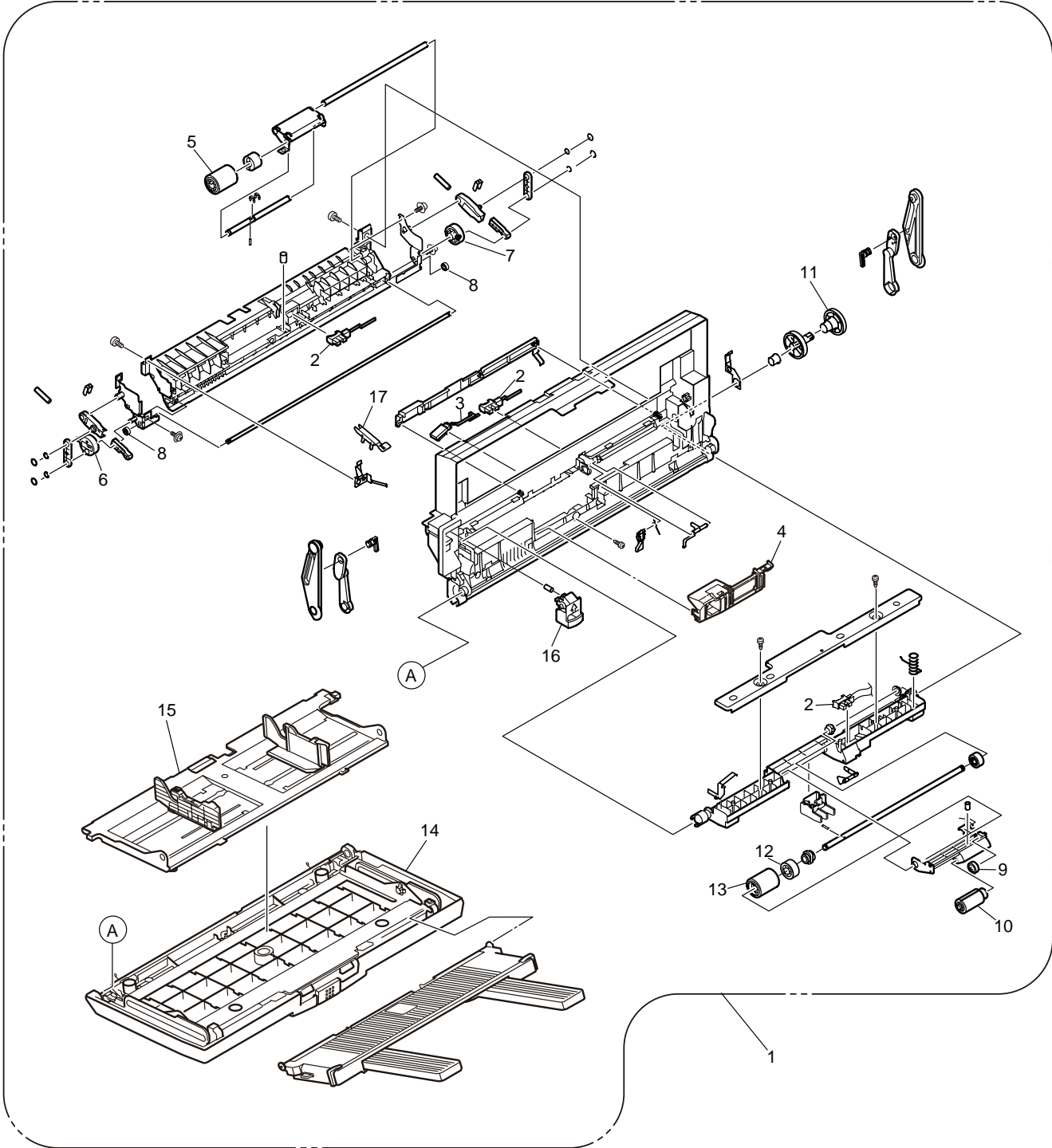
No.	Part No.	Part Name	Remarks
1	42740001	Duct-Drive-Assy	
2	42892401	Motor-DC(DISTONER)	
3	42913701	Gear-WT-Z18-Z20	
4	42978701	Gear-WT-Z30	
5	42913901	Gear-WT-Z15-Z21	
6	42914301	Gear-WT-Z56	
7	42914401	Gear-WT-Z18-Z25	
8	42967201	Gear-WT-Z14	

FDR-Unit-Regist



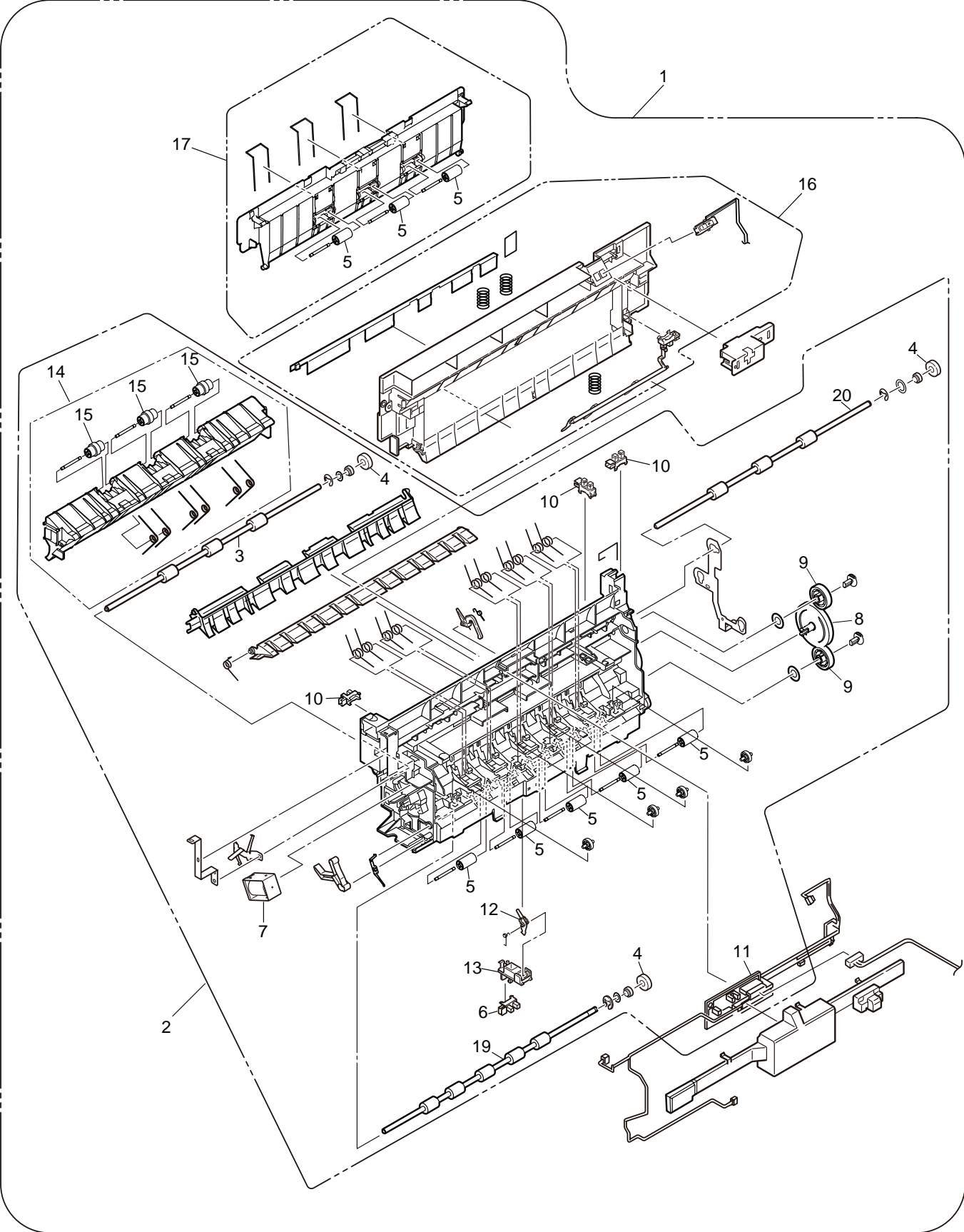
No.	Part No.	Part Name	Remarks
1		FDR-Unit-Regist	
2	42868201	OR-S2S	
3	40135301	Photo-Interrupter	
4	42978801	Gear-Connection-Z21	
5	42913101	Gear-Connection-Z14	
6	42739201	Gear-Idle-D	
7	43589701	Gear-Coupling-A-Kit_for_Mainte.	Kit for maintenance.
8		Plate Assy.-Link(Front)	
9	42745001	Gear-Wheel(Z30)-Front	
10	42746301	Gear-Idle(Z16)	
11	42739201	Gear-Idle-D	
12	42747201	Roller-Feed(M)	
13	42747301	Roller-Pressure(M)	
14		Gear-OnewayBevel(Z20)	
15	42747402	Gear-OnewayBevel(Z20)	
16	42747601	Gear-Feed-Z36	
17	42973701	Plate Assy.-Link(Rear)	
18	42745801	Gear-Idle(Z37)	
19	42747901	Roller-Regist(2)	
20	42748001	Roller-Pressure(2)	
21	40301801	Gear-Regist	
22	41066801	Gear-PRB	
23		Gear-SH1	
24		Gear-SH2	
25		Gear-SH3	
26		D6E-K SENSOR-Magnet -	
27		HSU-06A1T1 SENSOR-Temp -	
28	43003201	Gear Assy.-CL(Reg2)	
29	42913401	Gear-Connection-Z18	
30	43437501	Limiter-Torque-500	

FDR-Unit-MPT



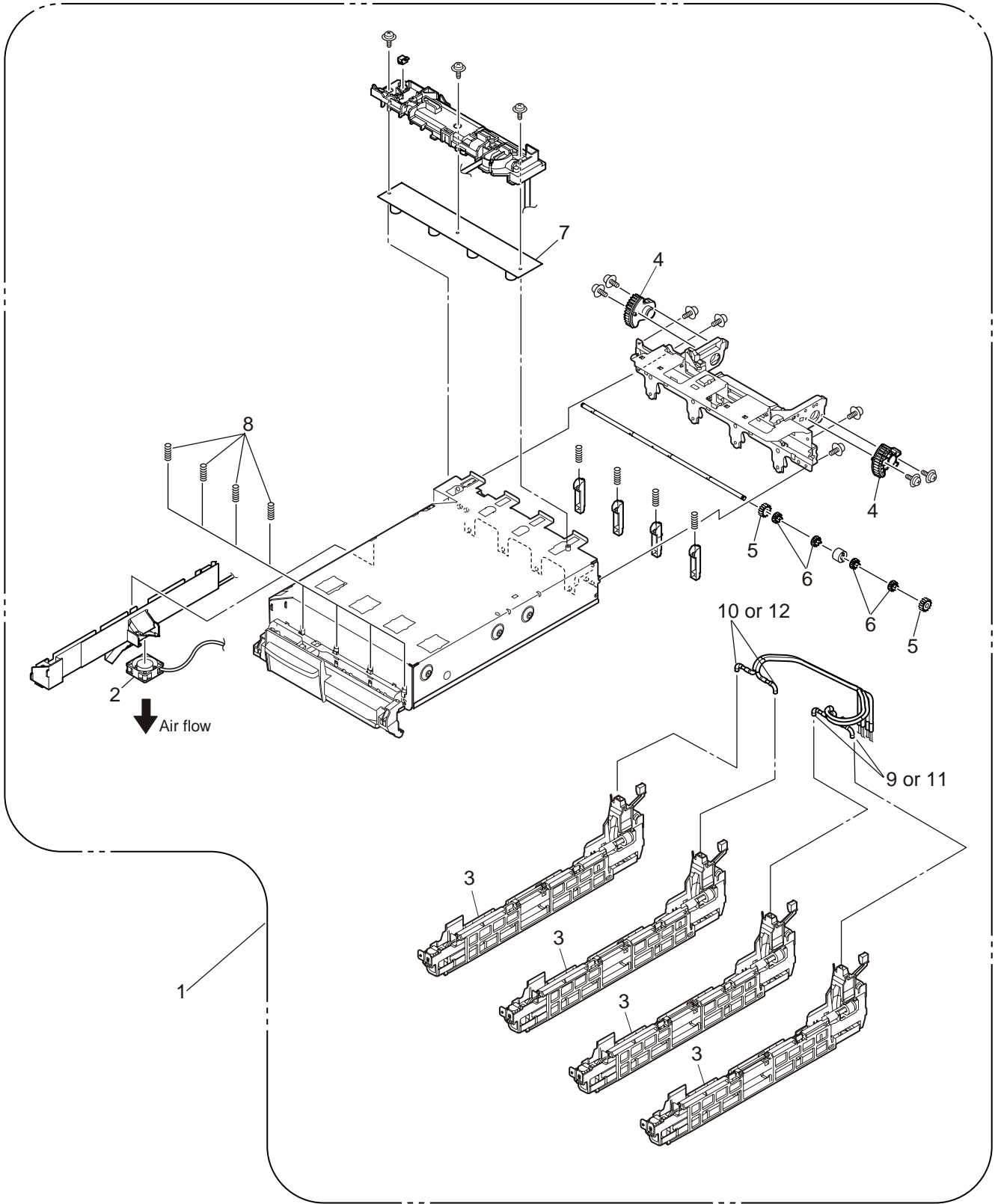
No.	Part No.	Part Name	Remarks
1	42750404	FDR-Unit-MPT-HM	
2	40135301	Photo-Interrupter	
3	41842802	Photointerrupter(REWORK)	
4	43012703	Guide Assy.-Friction-HM	
5	43013001	Roller-Feed	
6	42745201	Gear-Link(Z27)Front	
7	42810001	Gear-Link(Z27)Rear	
8	42961501	Gear-Link-Z12	
9	42052001	Gear-Planet(Z20)-HP	
10	42954401	Roller Assy.-Pickup	
11	42752801	Gear-Oneway(Z38/Z53)	
12	42752901	Gear-Feed(Z25)	
13	42701302	Roller-Feed(OW)	
14	42753701	Hopper Assy.-MPT	Assy(Include:No.15)
15		Sheet-Recieve-Assy.	
16		Lever-Handle-MPT	

Ejest-Assy



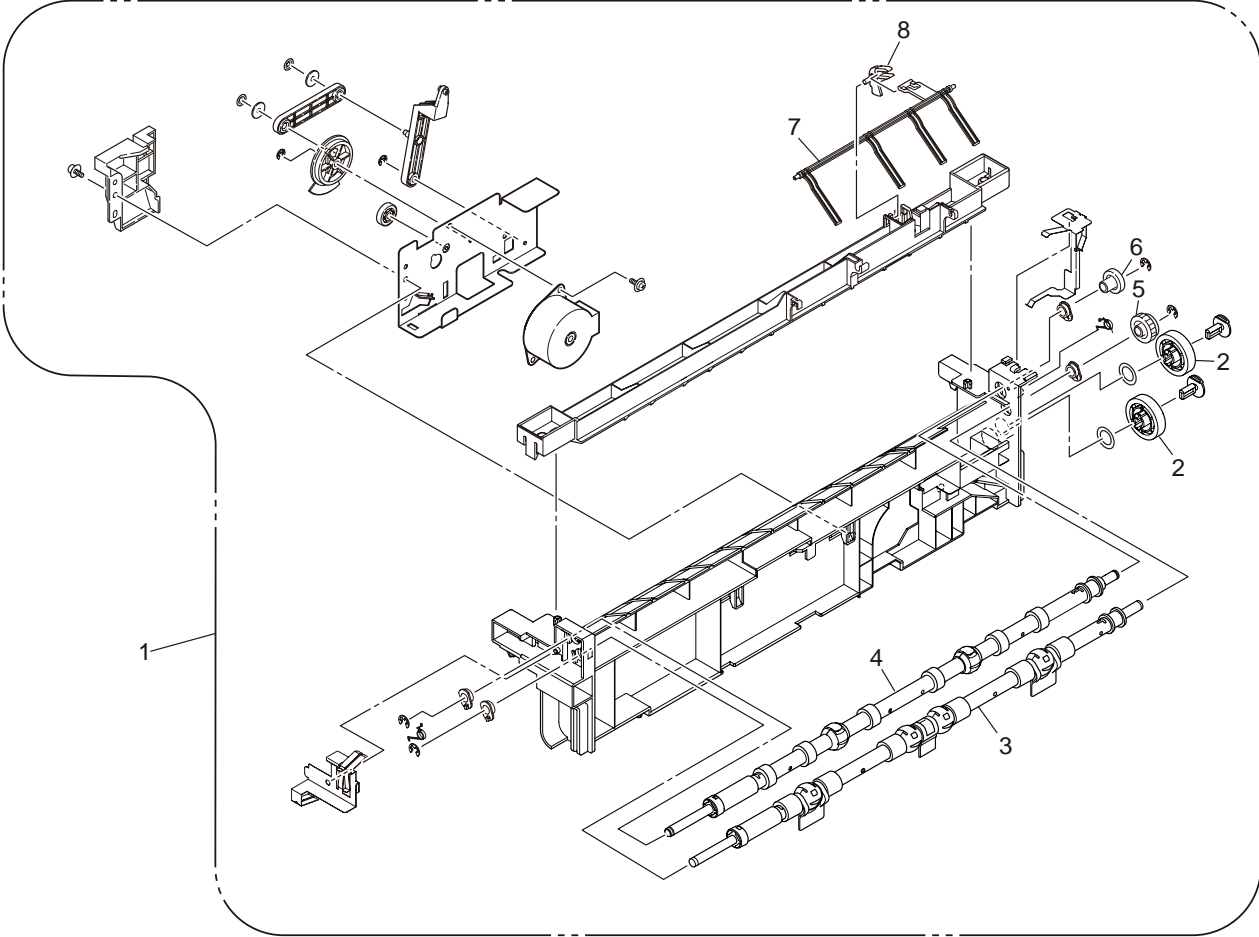
No.	Part No.	Part Name	Remarks
1	42757103	Eject-Assy-HM	
2	42757503	Guide-Eject-Assy-HM	
3	42757401	Roller-Eject	
4		Gear-Eject_Z17	
5	42757901	Roller-Pinch-Eject	
6	40135301	Photo-Interrupter	
7		DC-Solenoid-10SL-144	
8	42760201	Gear-Idle-Eject-Z54	
9		GEAR-IDLE-Eject_Z27	
10	40135301	Photo-Interrupter	
11	42868501	OR-S2R	
12	42759301	Lever-Exit_Sensor	
13	42758301	Holder-Lever	
14		Guide-Sheet-FU-Assy	Assy(Include:No.15)
15	42759101	Roller Assy.-FU	
16		Guide-Eject-Outer- Assy.-HM	
17	42760801	Cover-Eject-Auter-Assy	Assy(Include:No.18)
19	43691401	Roller-Eject-HM	

Plate-Top-Assy



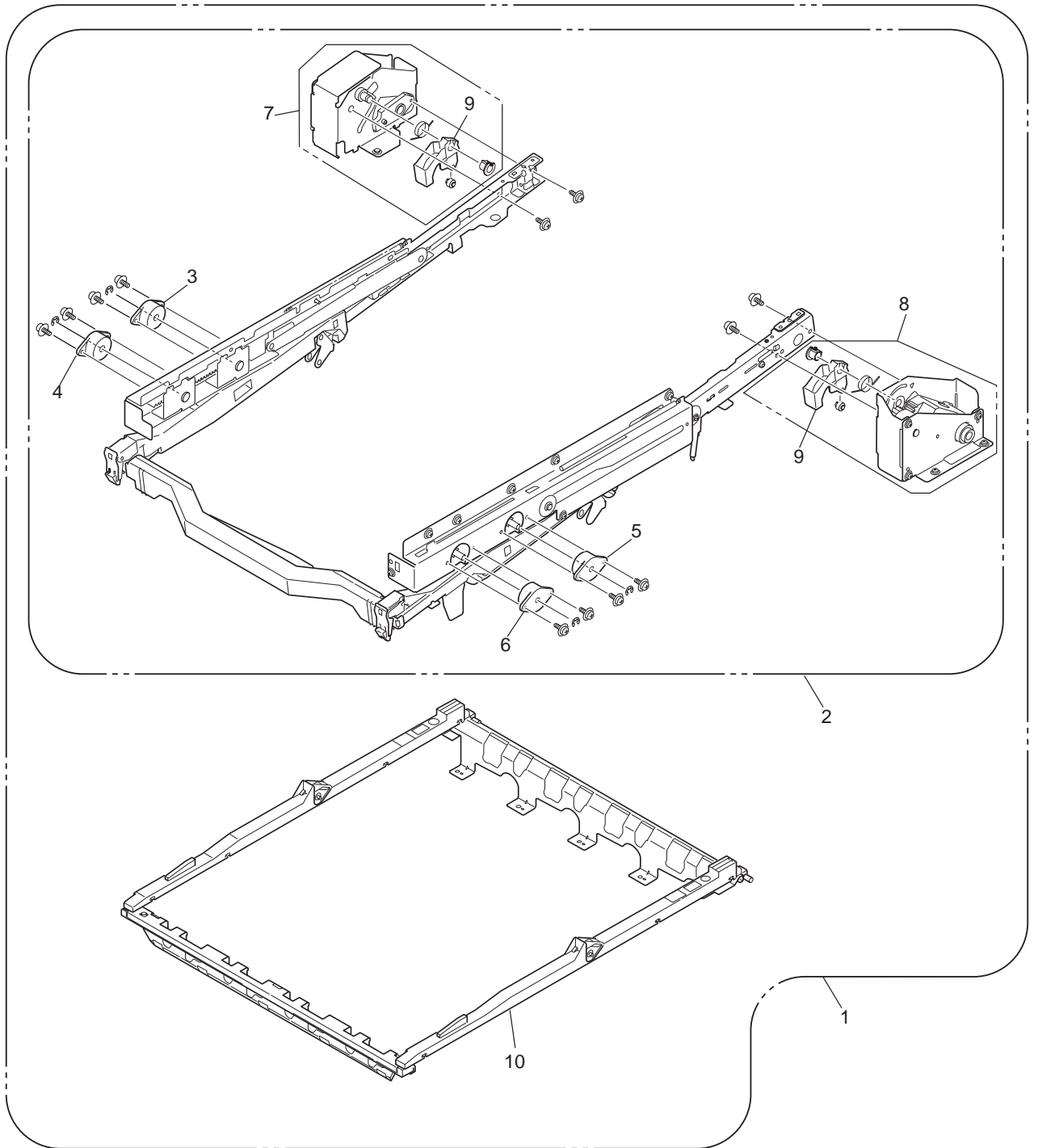
No.	Part No.	Part Name	Remarks
1		Plate-Top-Assy	
2	42763301	Motor-Fan	
3	42763801	Holder-Head- Assy.-	
4		Gear-Damper-TOP	
5		Gear-LED2	
6		Gear-LED3	
7	42868601	OR-S2H	
8		Spring-Tension-F	
9	42834501	CONN Cord-JST10P-JST10P	For K/Y Head
10	42834502	CONN Cord-JST10P-JST10P	For M/C Head

Job-Offset-Assy



No.	Part No.	Part Name	Remarks
1	42765103	Job-Offset-Assy-723-2	
2	42760301	GEAR-IDLE-Eject_Z27	
3	42809002	Pipe-Assy-Drive_723-2	
4	42765802	Pipe-Assy-Driven_723-2	
5	43034301	Gear-Drive	
6	41351101	Gear-Driven	
7	42767501	Lever-Stacker-Full-F	
8	42767601	Lever-Stacker-Full-Sub	

Basket-Assy



No.	Part No.	Part Name	Remarks
1		Basket-Assy	
2	42769001	Basket-Main-Assy	Assy(Include:No.2-8)
3	42919302	One-Way-Hinge-L	3.0kg
4	42919303	One-Way-Hinge-L	4.0kg
5	42919402	One-Way-Hinge-R	3.0kg
6	42919403	One-Way-Hinge-R	4.0kg
7		Gear Assy.-L	Assy(Include:No.9)
8		Gear Assy.-R	Assy(Include:No.9)
9		Plate-Limiter	
10		Basket-Inner- Assy.-	