

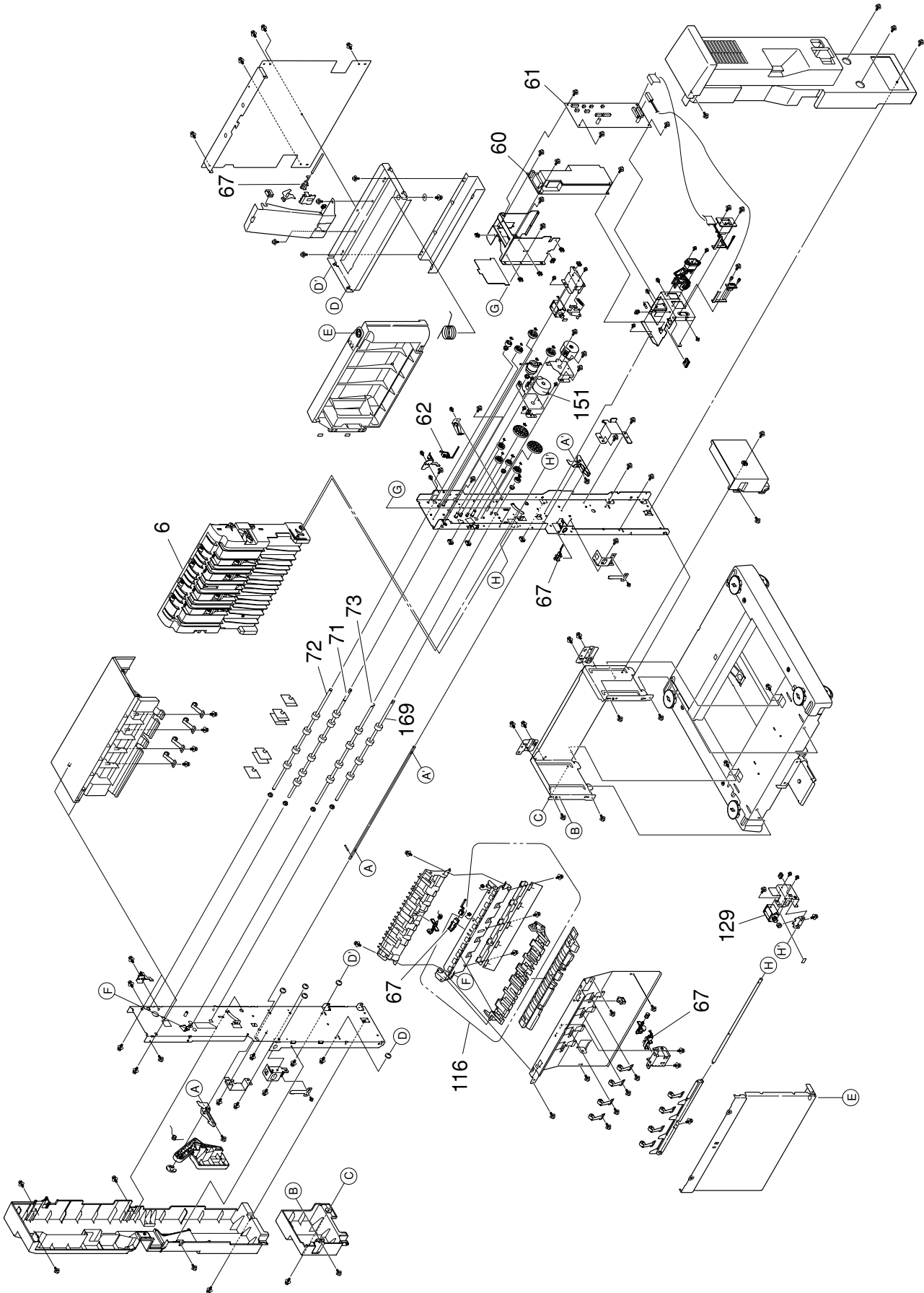
# **OKI**

---

# **C9600/C9800/ES3640 Finisher Spare Parts Illustration Manual**

051114A

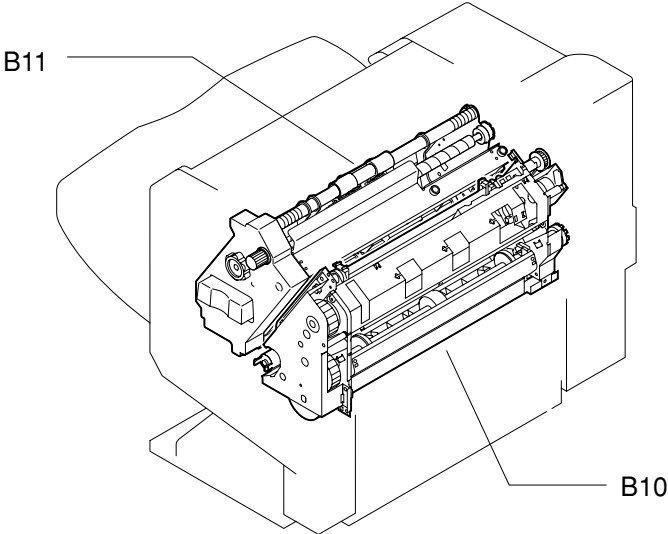
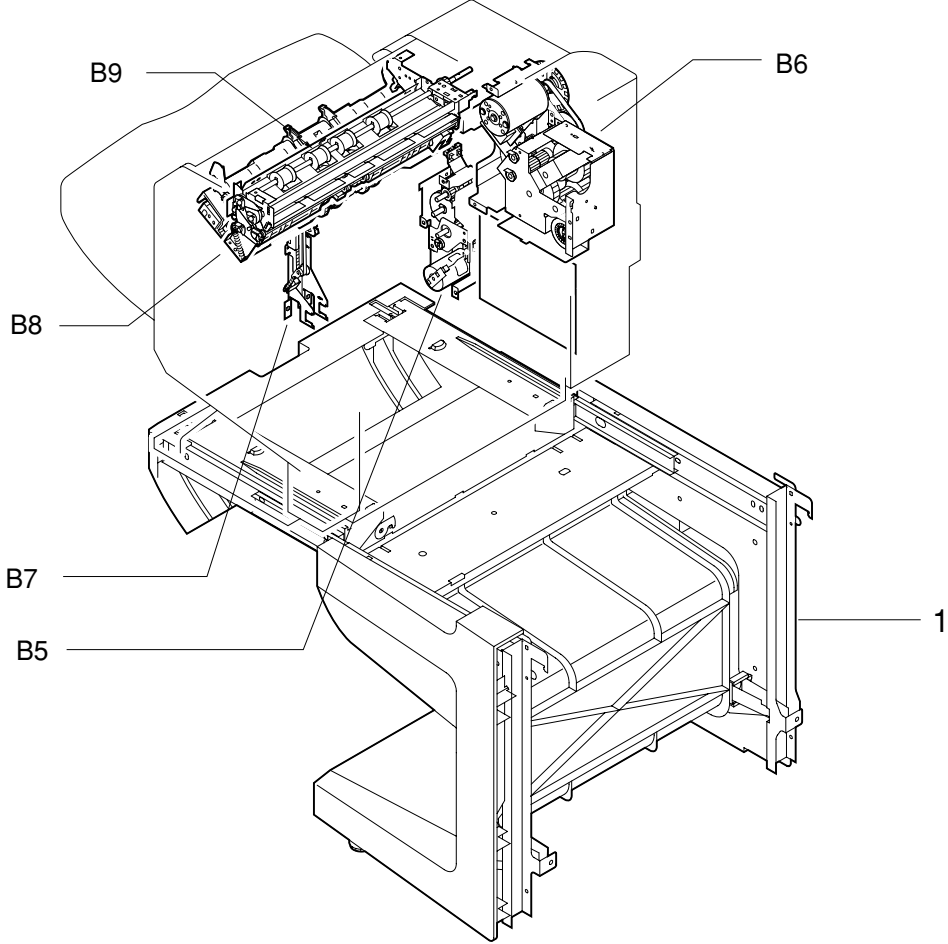
A1-1 Inverter



## A1 Inverter

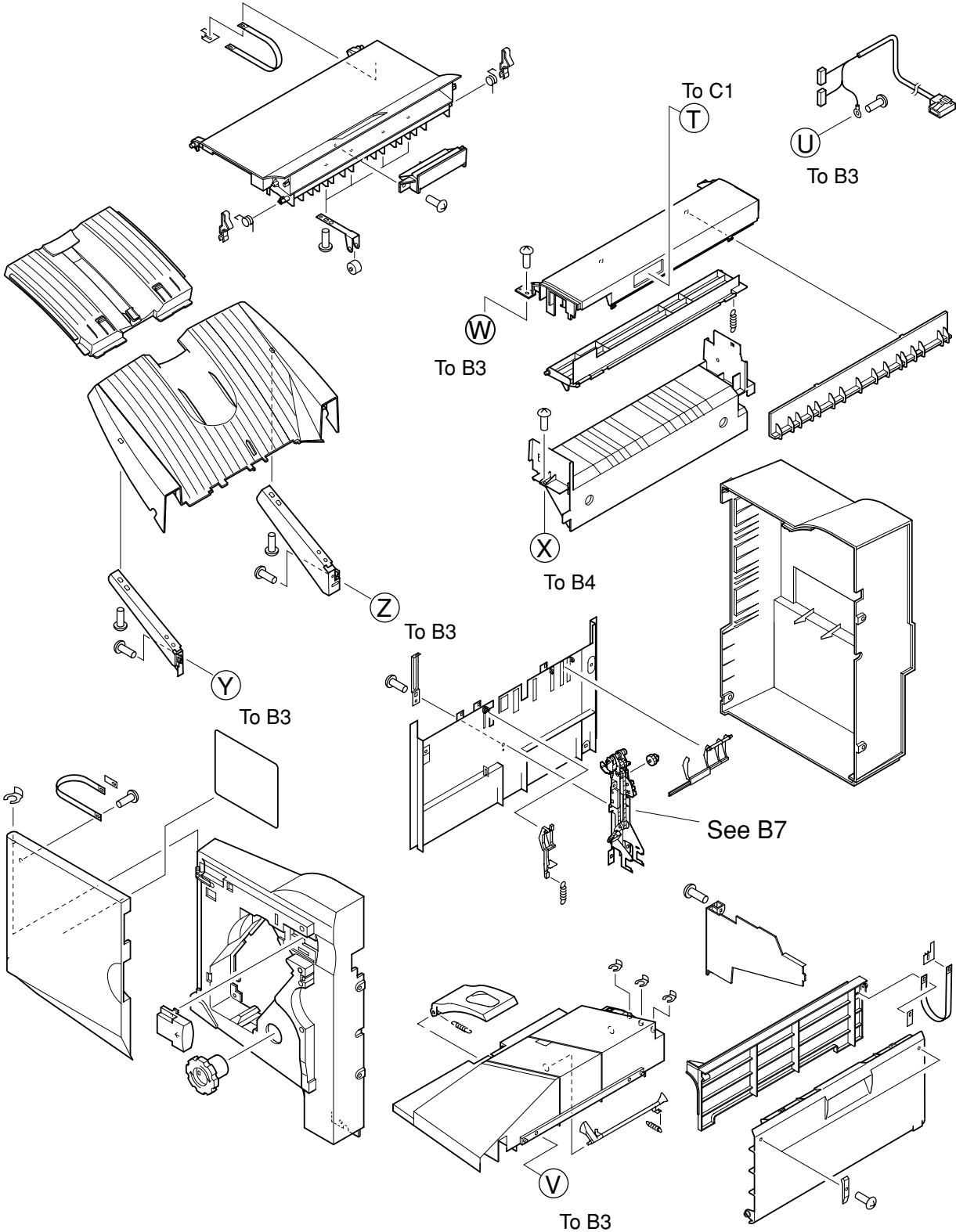
No.	Parts No.	Name	Remarks
6	42904201	Guide-Sheet-L-Assy	
60	42534301	PWR unit-ACDC Switch	
61	42869603	OR-Board Assy.-V72-3	
62	42533001	CONN Cord-Wire AMP3P-SW	
67	40135301	Photo-Interrupter	
71	42901301	Roller-Regist	
72	42901201	Roller-Exit	
73	42901101	Roller-Main	
116	42958101	Plate-Guide-C-Assy	
129	42963701	Solenoid	
151	42952601	Motor-Inverter	
169	42901401	Roller-Invert	

B1 Finisher

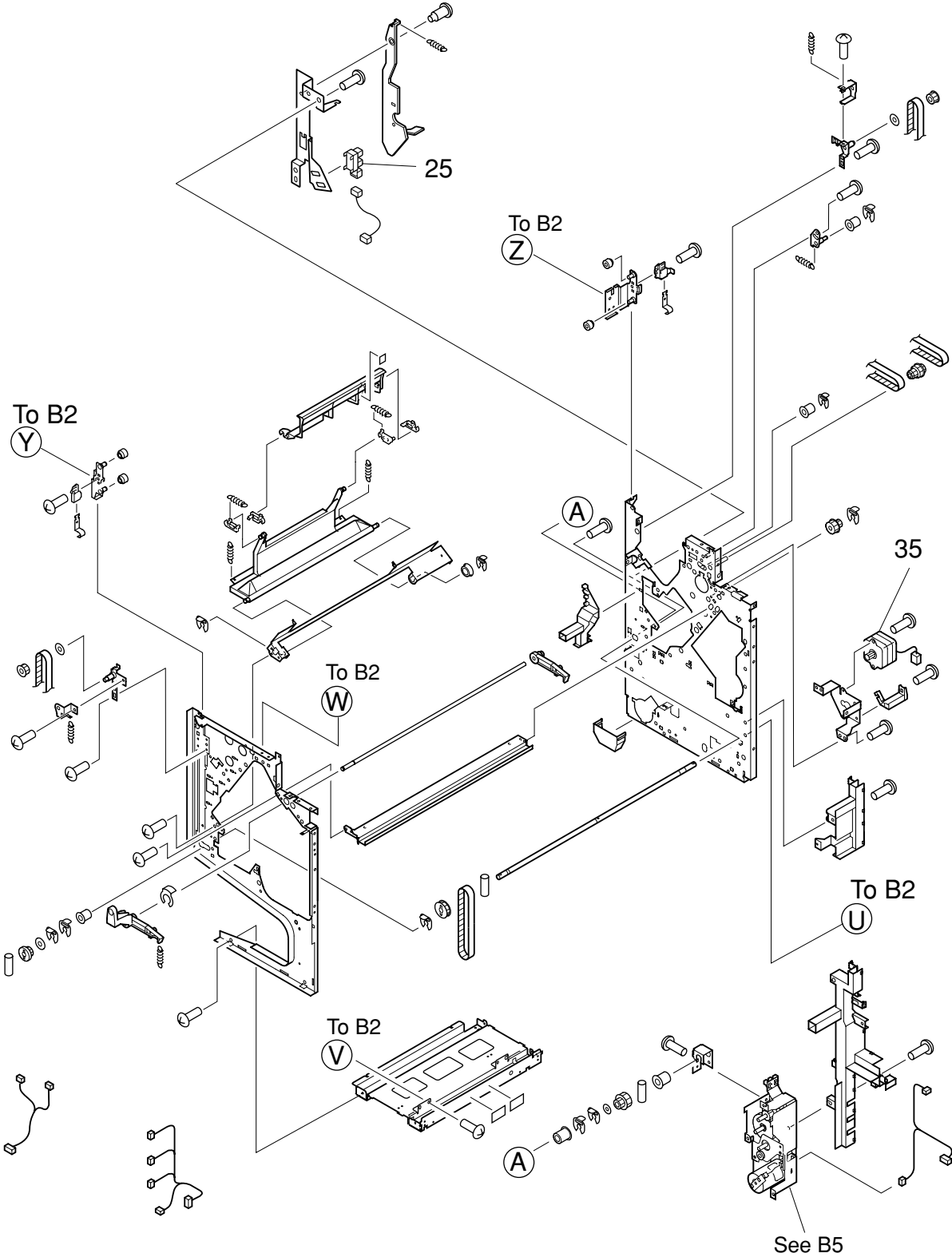


No.	Parts No.	Name	Remarks
1	43274901	Mounting-Hardware-5-Tray	
	43274902	Mounting-Hardware-4-Tray	

B2 External Parts



B3 Internal Components 1

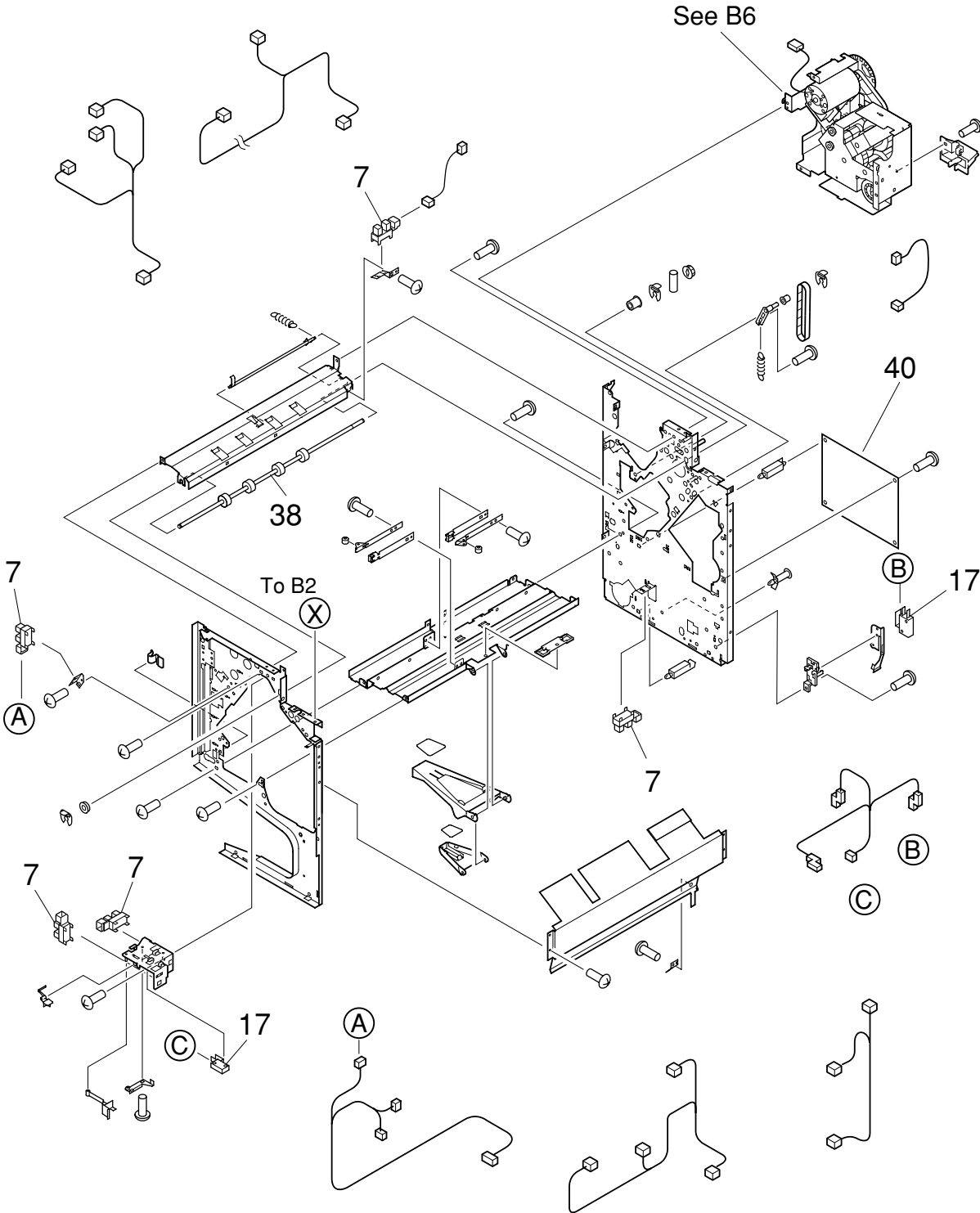


### B3 Internal Components

No.	Parts No.	Name	Remarks
25	43223425	IC TLP1241 Photo-Interrupter	
35	43223435	Motor Stepping	



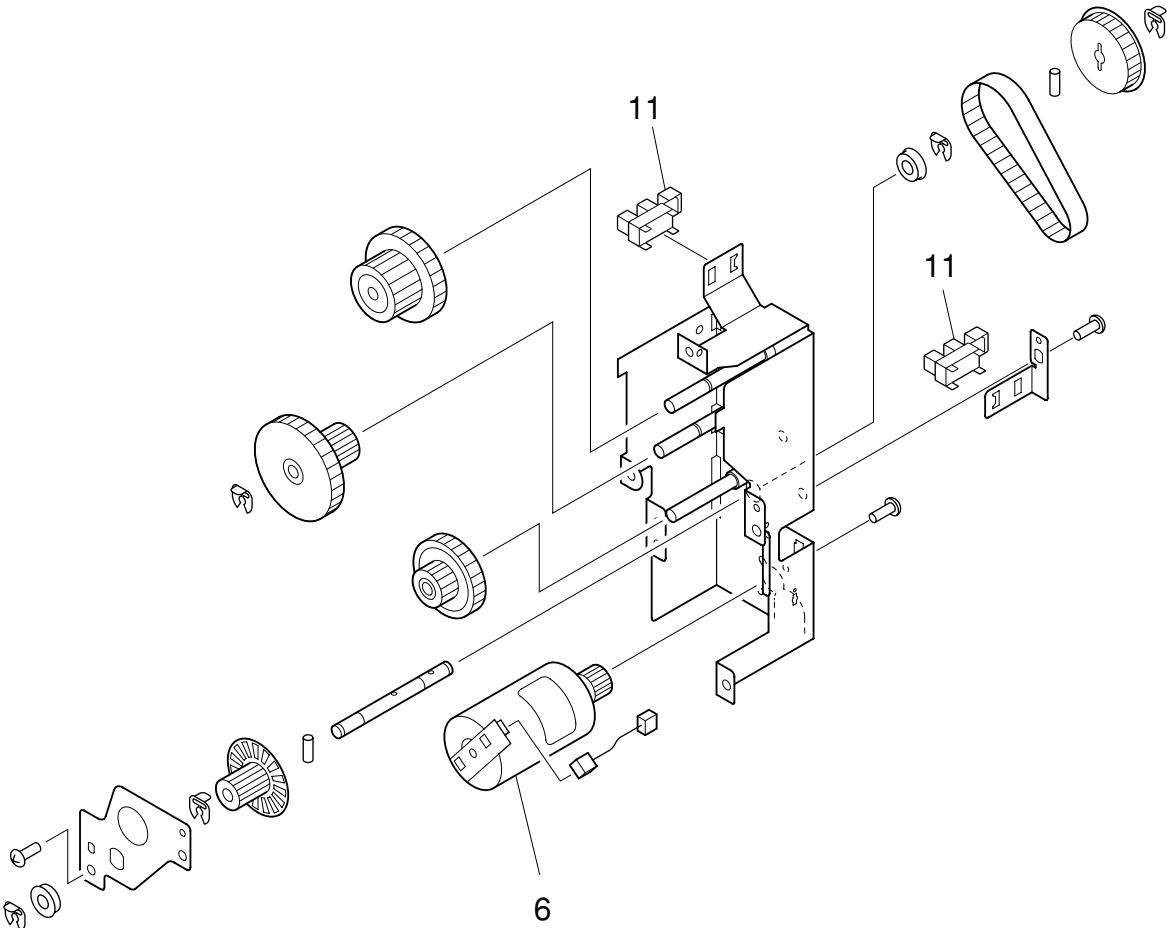
B4 Internal Components 2



## B4 Internal Components

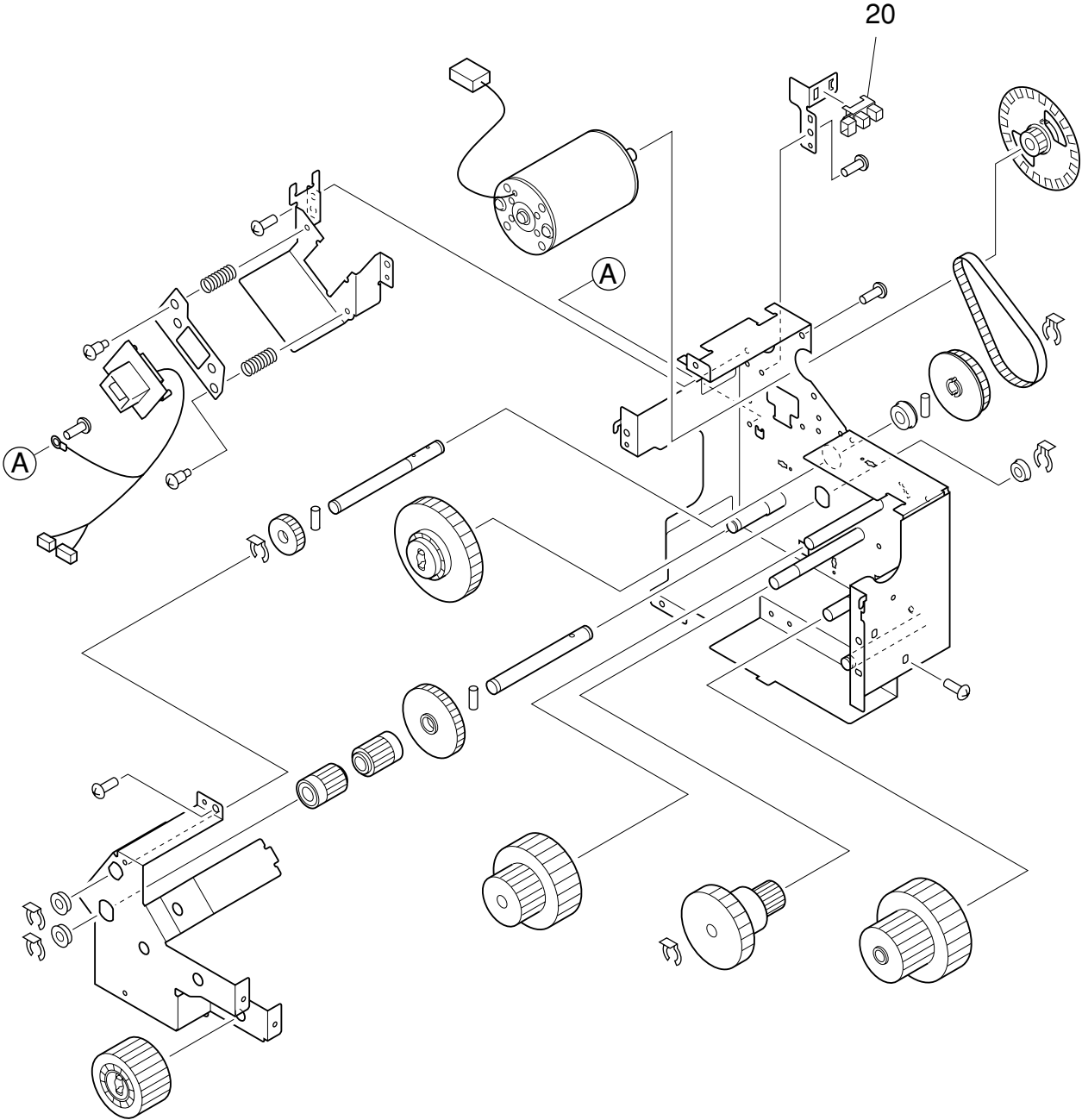
No.	Parts No.	Name	Remarks
7	43223425	IC TLP1241 Photo-Interrupter	
17	43223517	Microswitch	
38	43223538	Roller Paper Feed	
40	43223541	DC-Controller-PCB-Assembly	

### B5 Stack Motor Drive Assembly



No.	Parts No.	Name	Remarks
<b>B5</b>	43275001	Stack-Motor-Driver-Assembly	
6	43275007	Motor-DC24V	
11	43223425	IC-TLP1241-Photo-Interrupter	

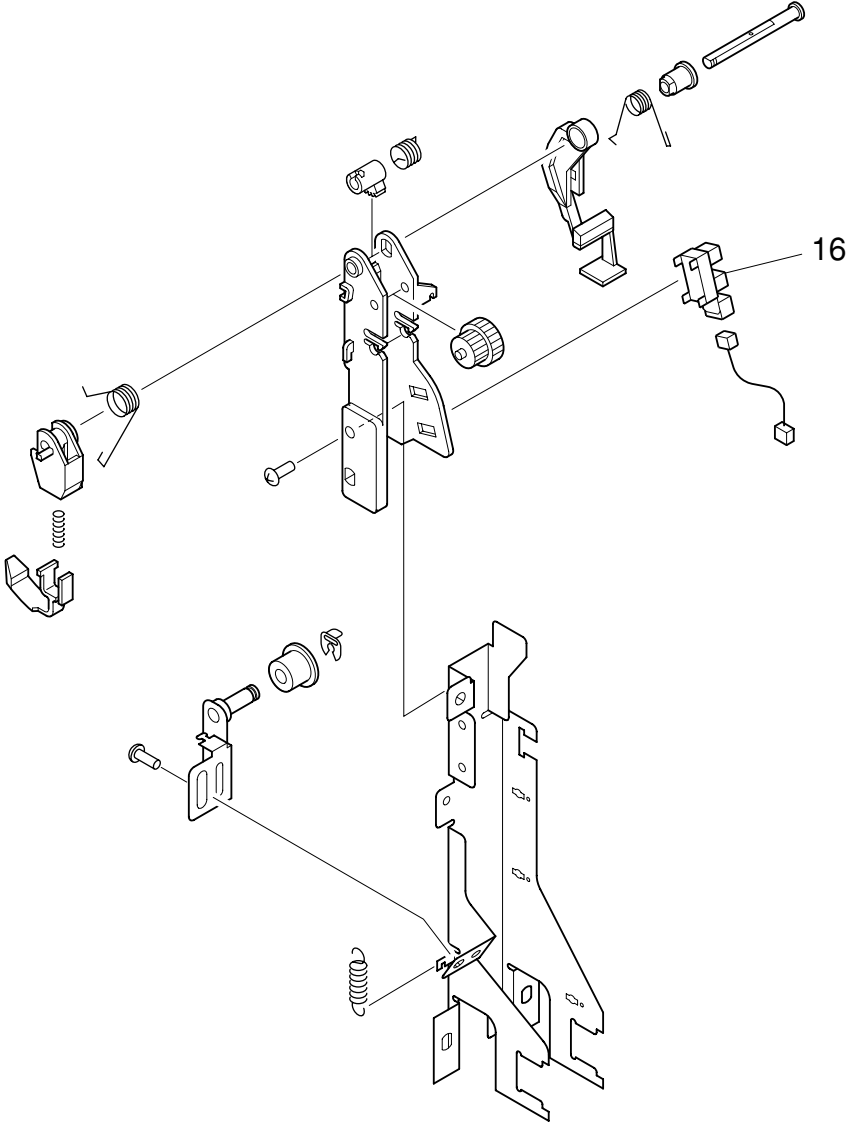
B6 Drive Assembly



B6 Drive Assy

No.	Parts No.	Name	Remarks
<b>B6</b>	43275101	Drive-Assy	
20	43275118	Photo-Interrupter	

# B7 Bundle Support Cover Assembly

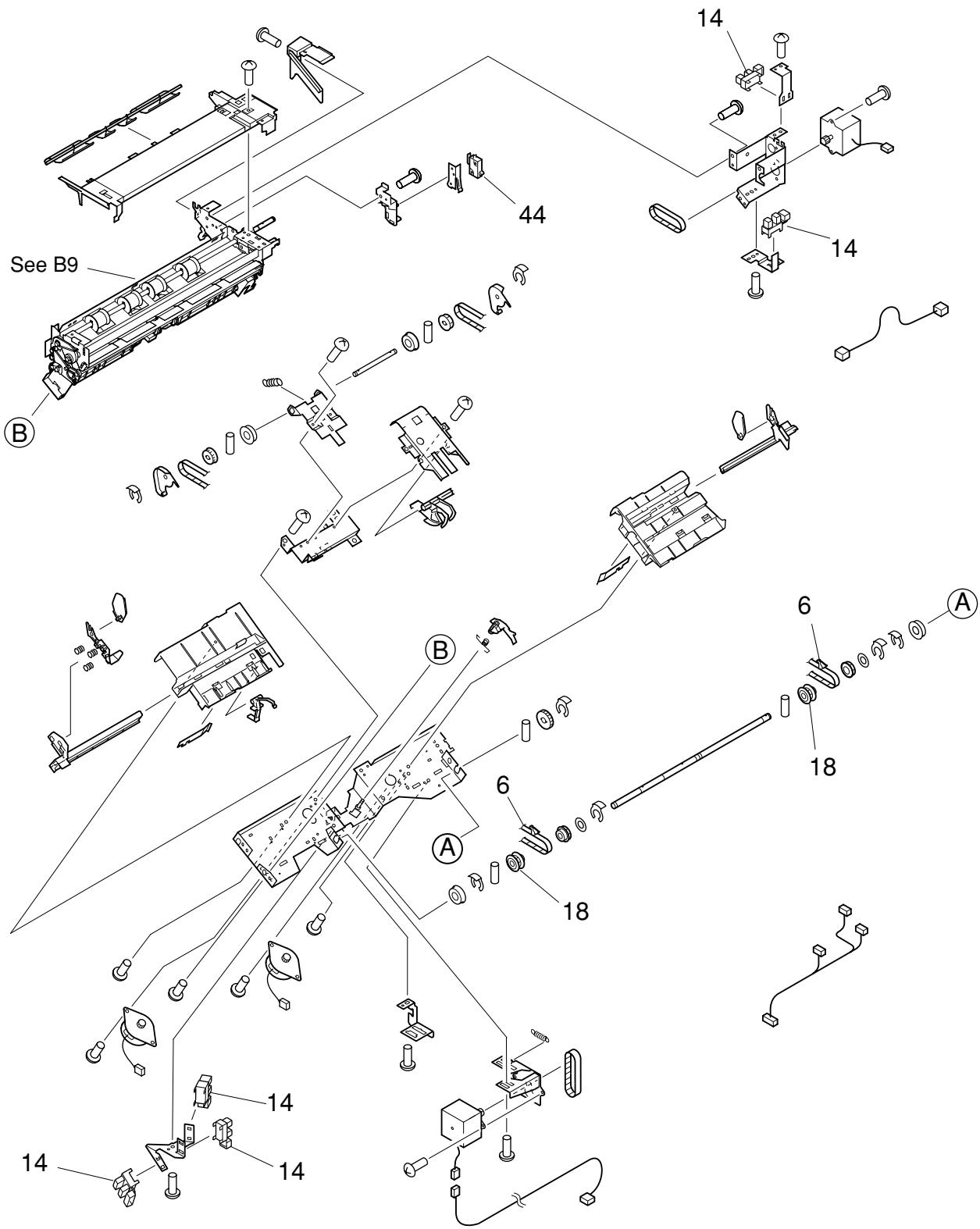


B7 Bundle Support

No.	Parts No.	Name	Remarks
<b>B7</b>	43275201	Bundle-Support-Cover-Assembly	
16	43223425	IC TLP1241 Photo-Interrupter	



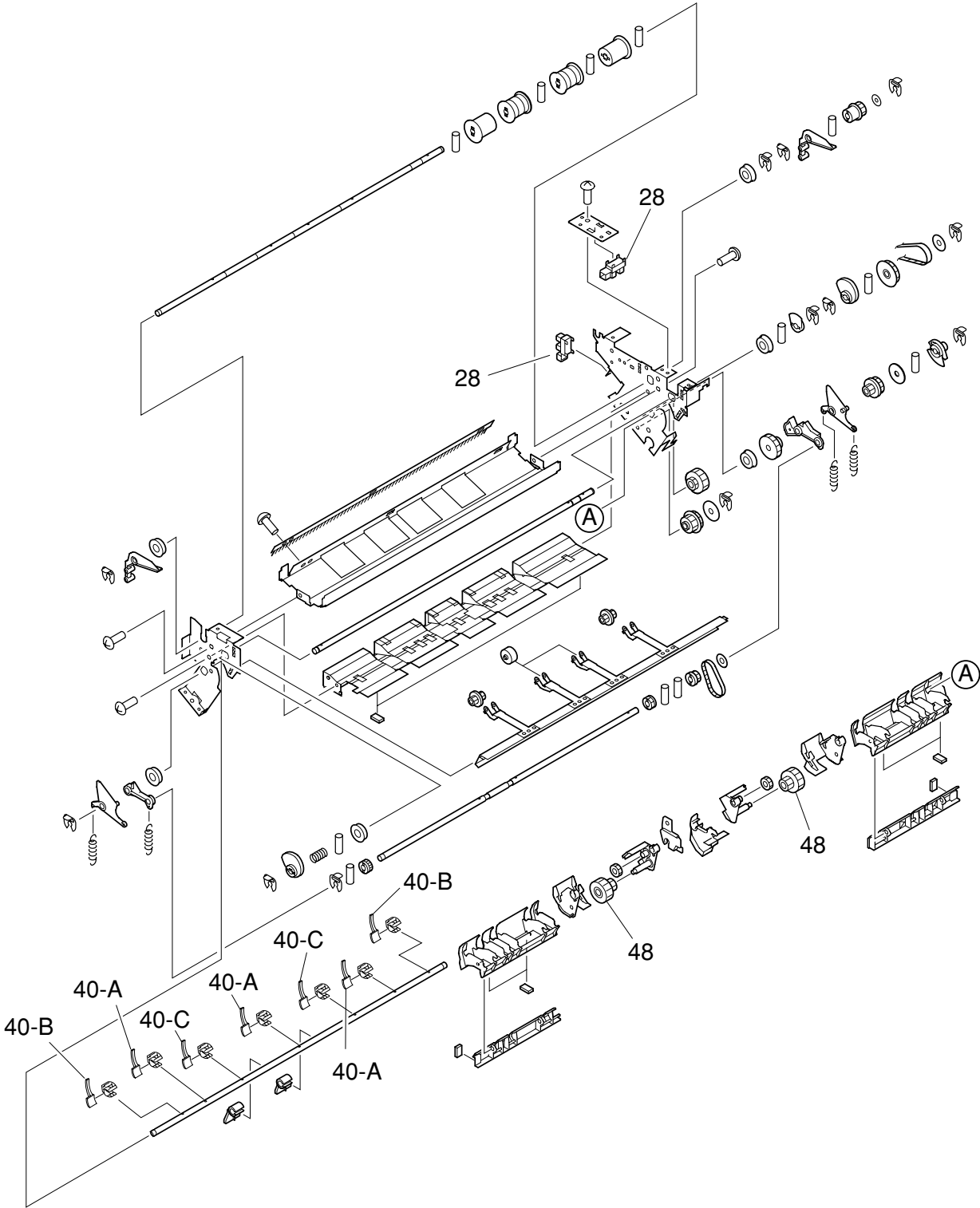
B8 Dispose Assembly



B8 Dispose

No.	Parts No.	Name	Remarks
<b>B8</b>	43275401	Dispose-Assembly	ODC
6	43275406	Belt-Timing	
14	43223425	IC TLP1241 Photo-Interrupter	
18	43275416	Roller-Bundle-Lower	
44	43223517	Microswitch	

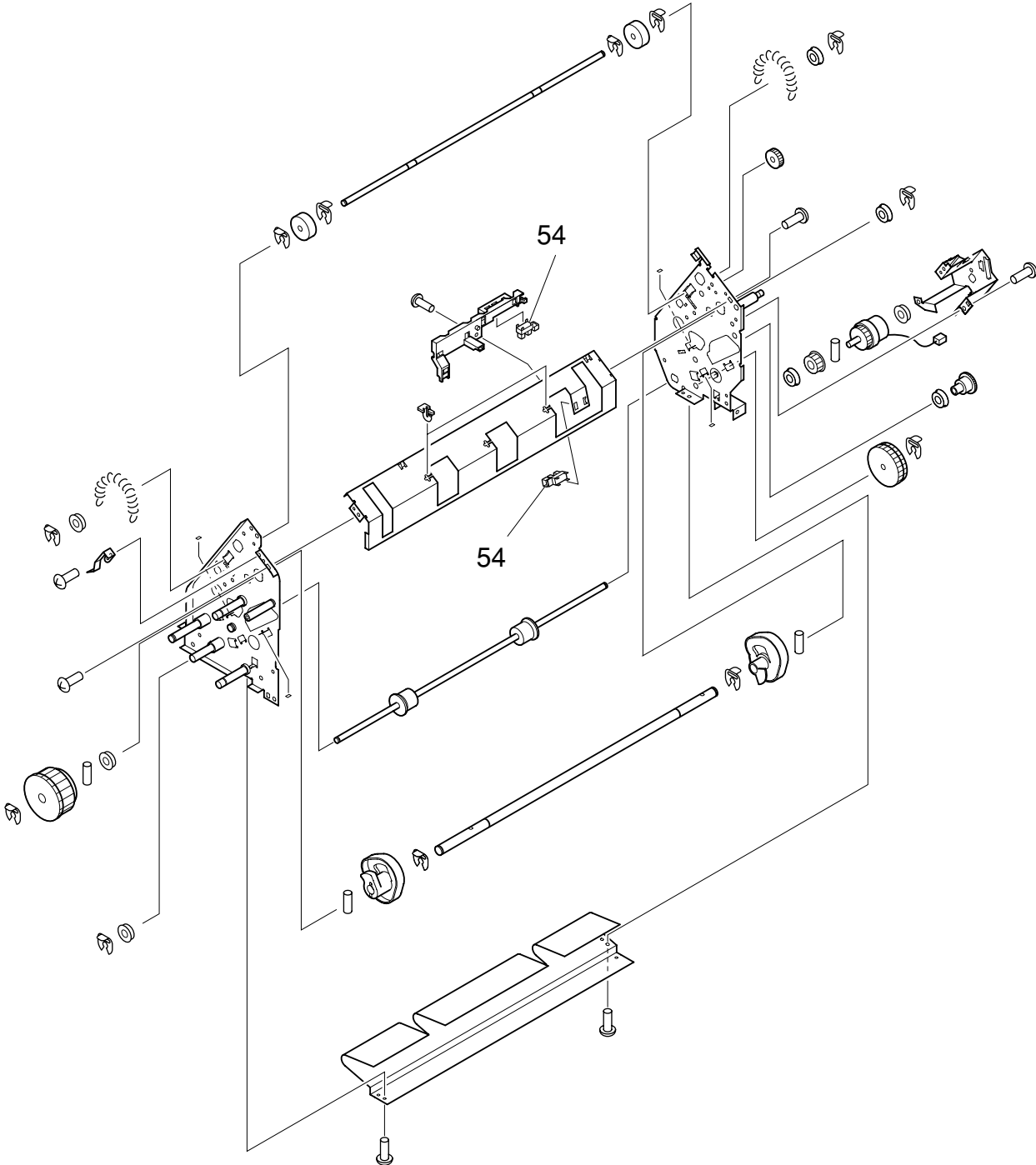
### B9 Paper Feeder Assembly



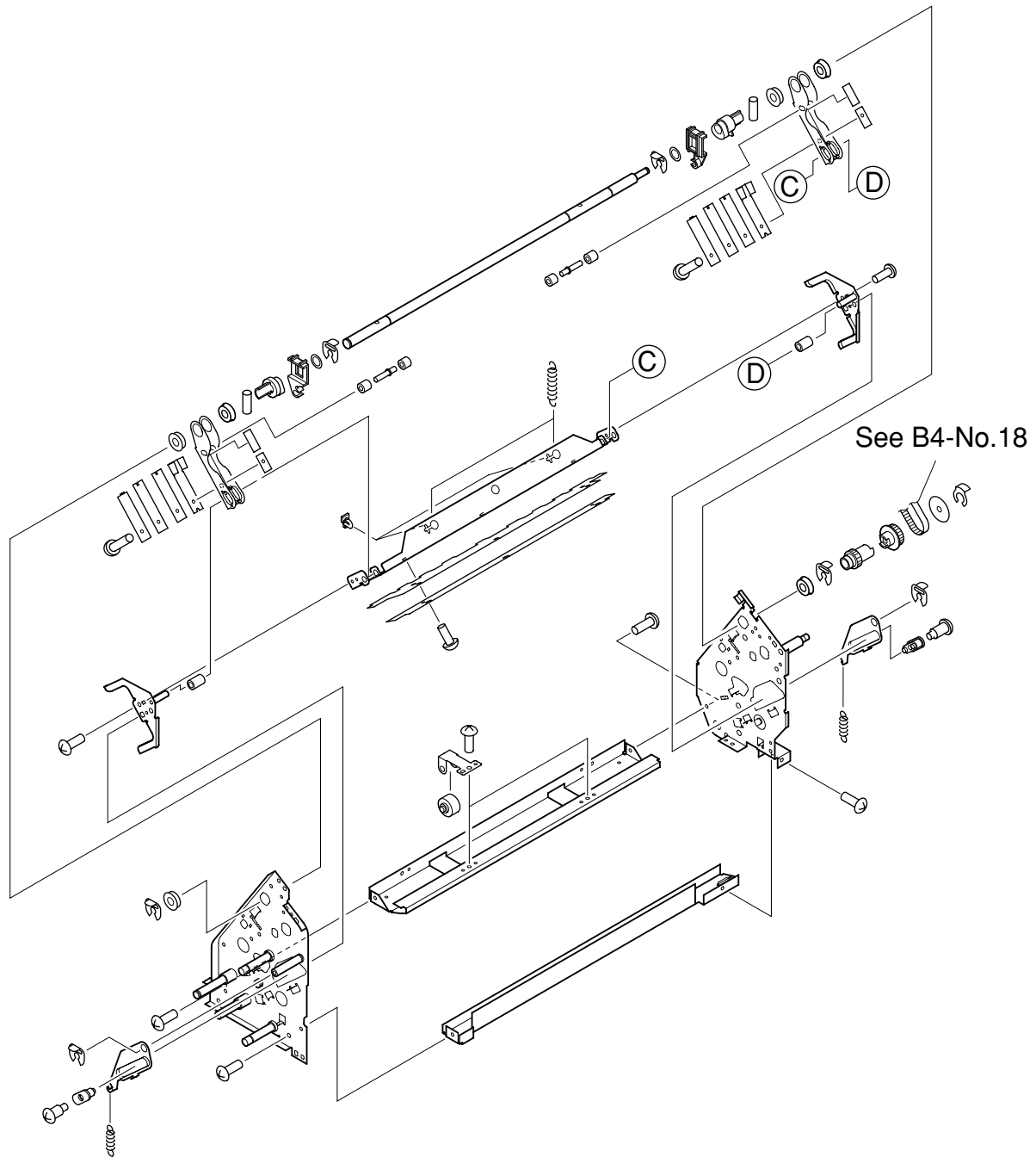
B9 Paper Feed Assy

No.	Parts No.	Name	Remarks
<b>B9</b>	43275501	Paper-Feeder-Assembly	
28	43223425	IC TLP1241 Photo-Interrupter	
40-A	43275538	Roller-Paddle-1	
40-B	43275554	Roller-Paddle-2	
40-C	43275555	Roller-Paddle-3	
48	43275546	Roller-Bundle-Upper	

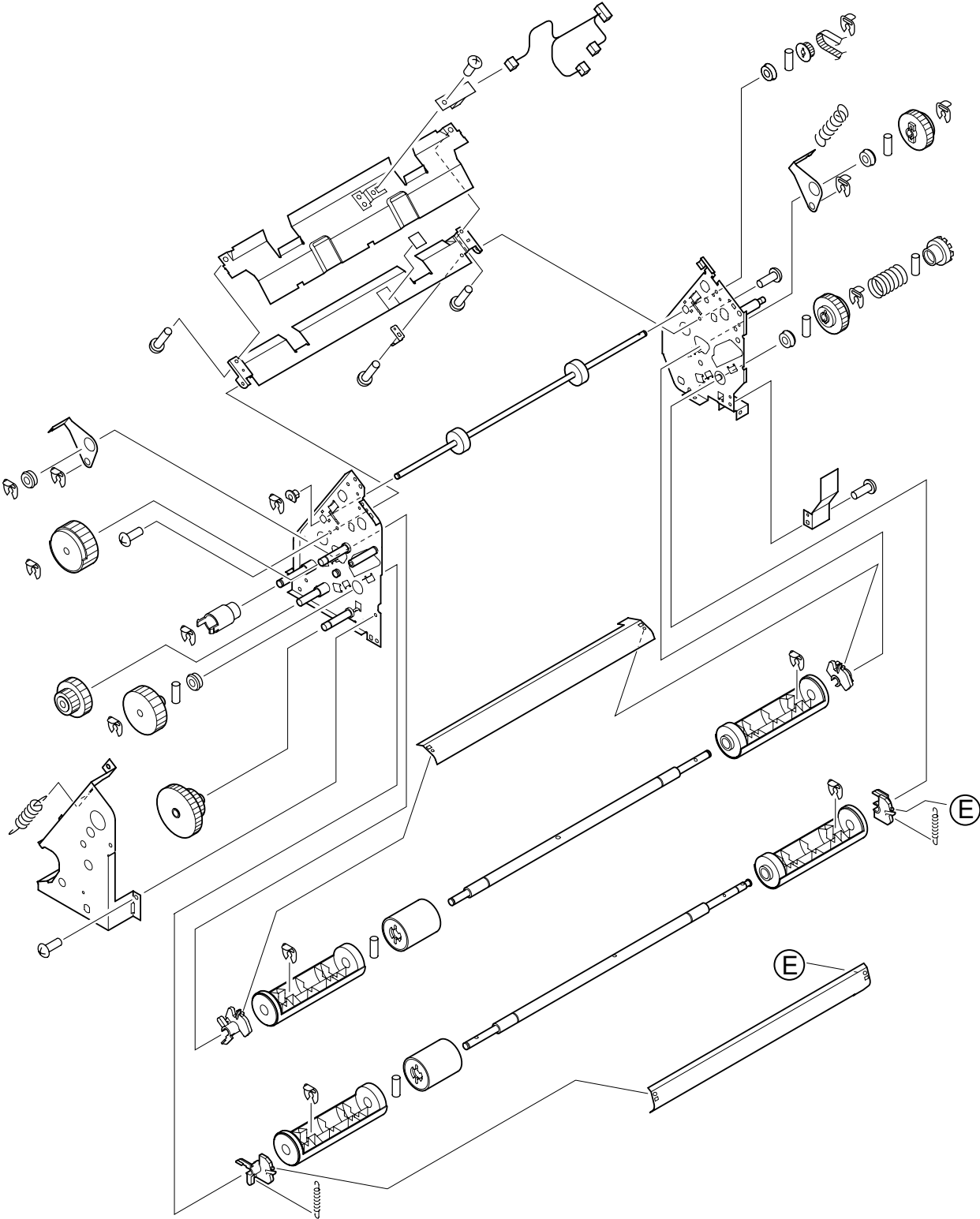
B10-1 Fold Assembly 1/3



B10-2 Fold Assembly 2/3



B10-3 Fold Assembly 3/3

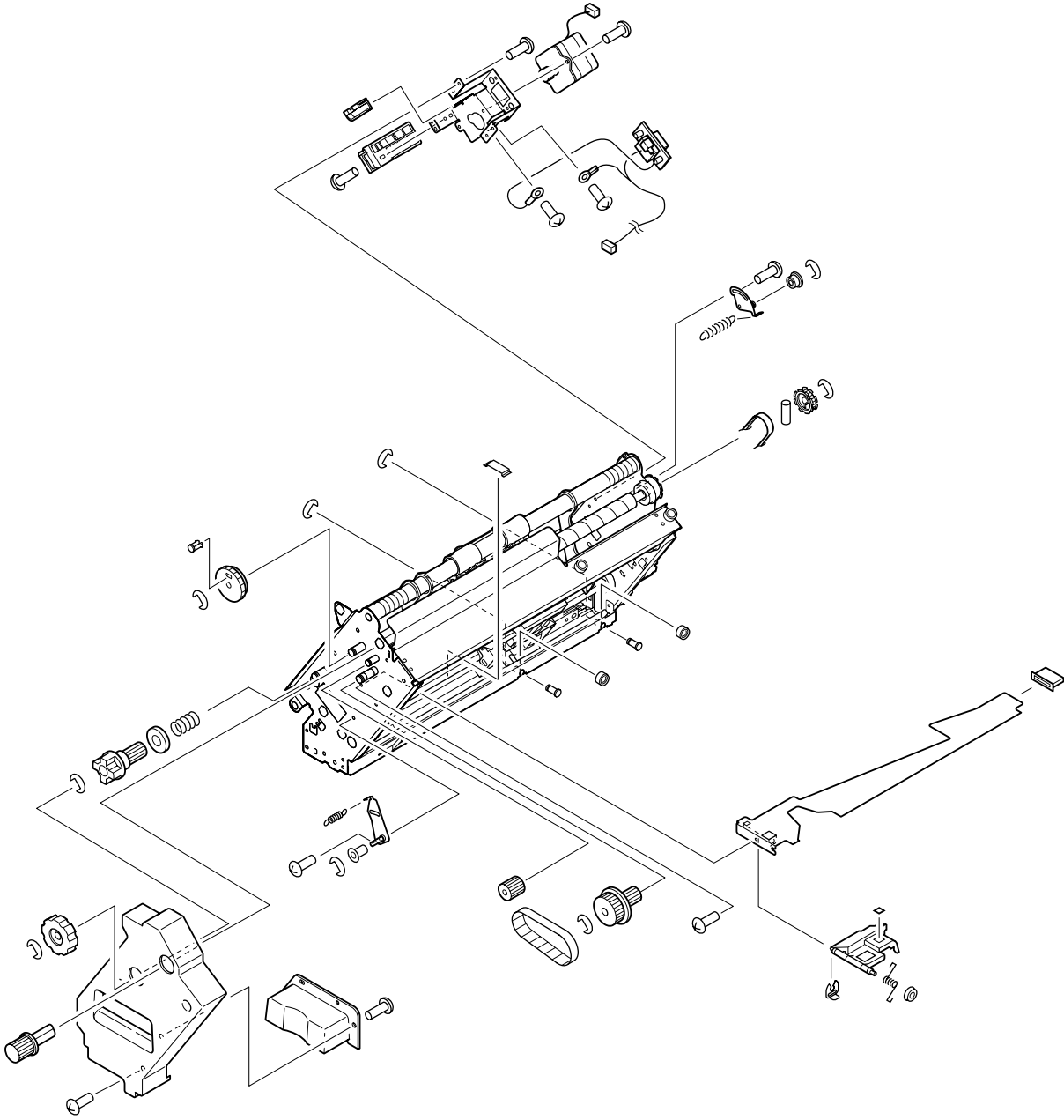


B10 Fold Assy

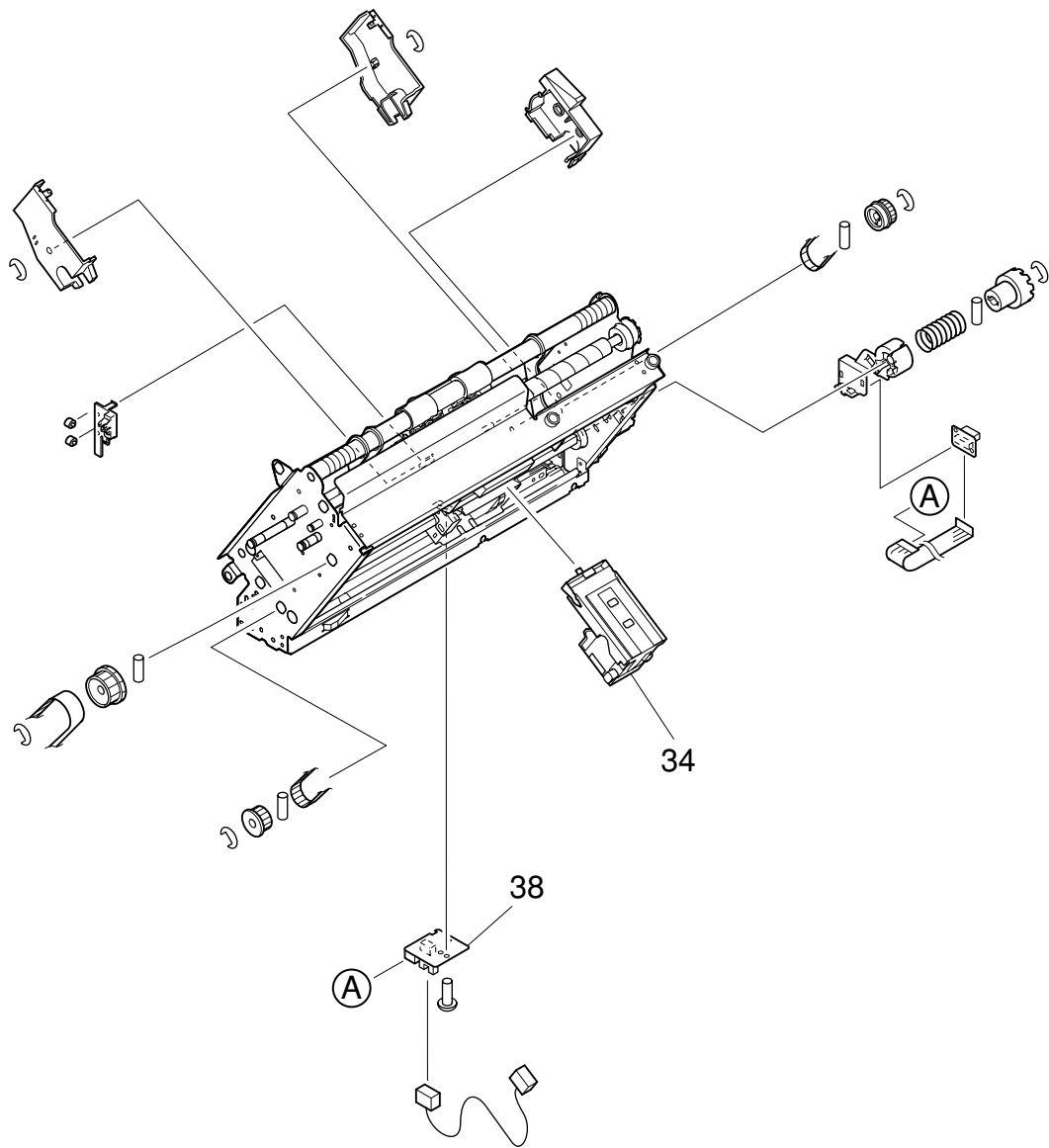
No.	Parts No.	Name	Remarks
<b>B10</b>	43275601	Fold-Assembly	
54	43223425	IC TLP1241 Photo-Interrupter	



B11-1 Staple Assembly 1/2



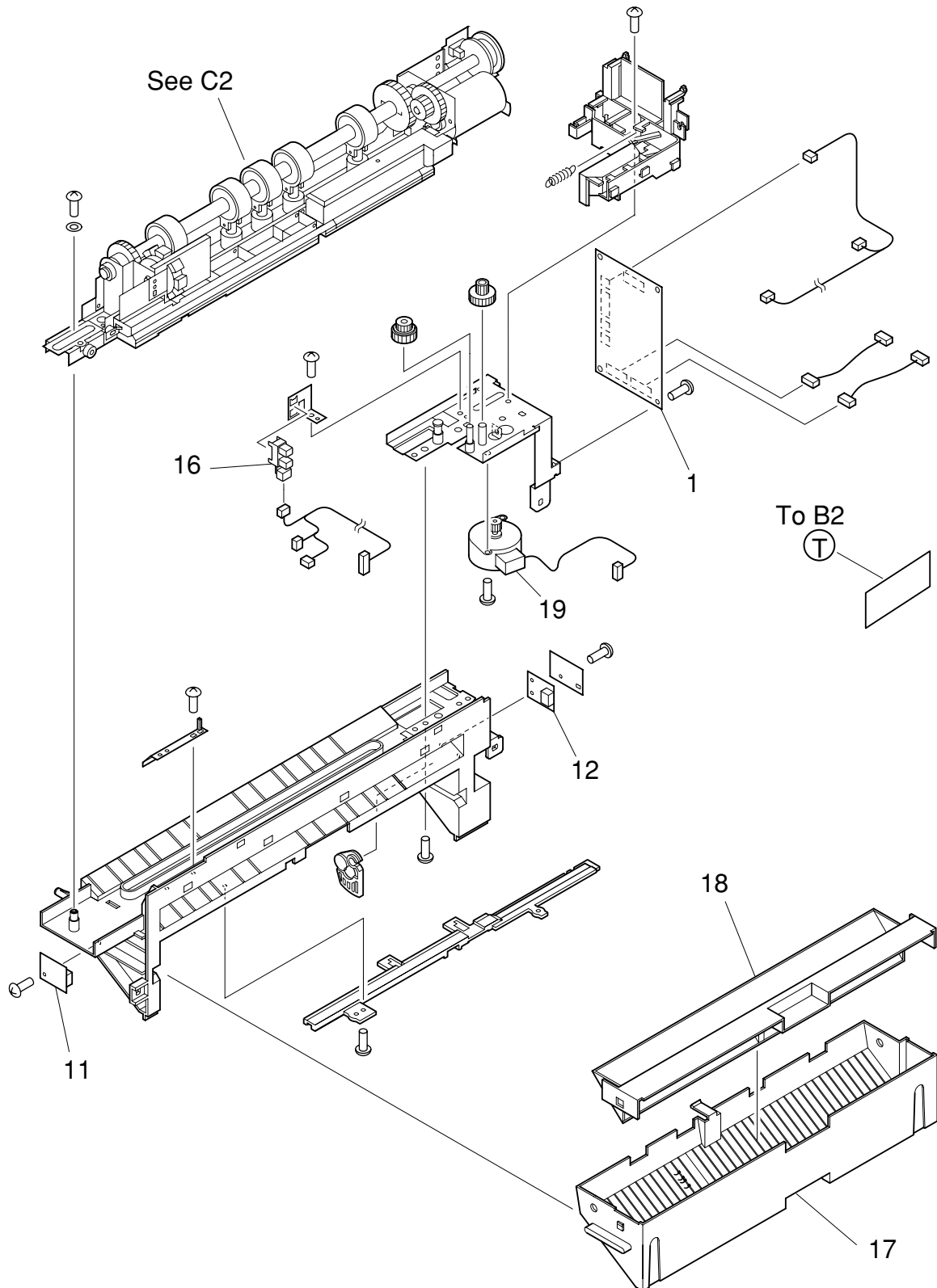
### B11-2 Staple Assembly 2/2



B11 Staple Assy

No.	Parts No.	Name	Remarks
<b>B11</b>	43275701	Staple-Assembly	ODC
34	43275734	Staple-Cartridge-Unit	ODC
38	43275738	Stapler-In-PCB-Assembly	

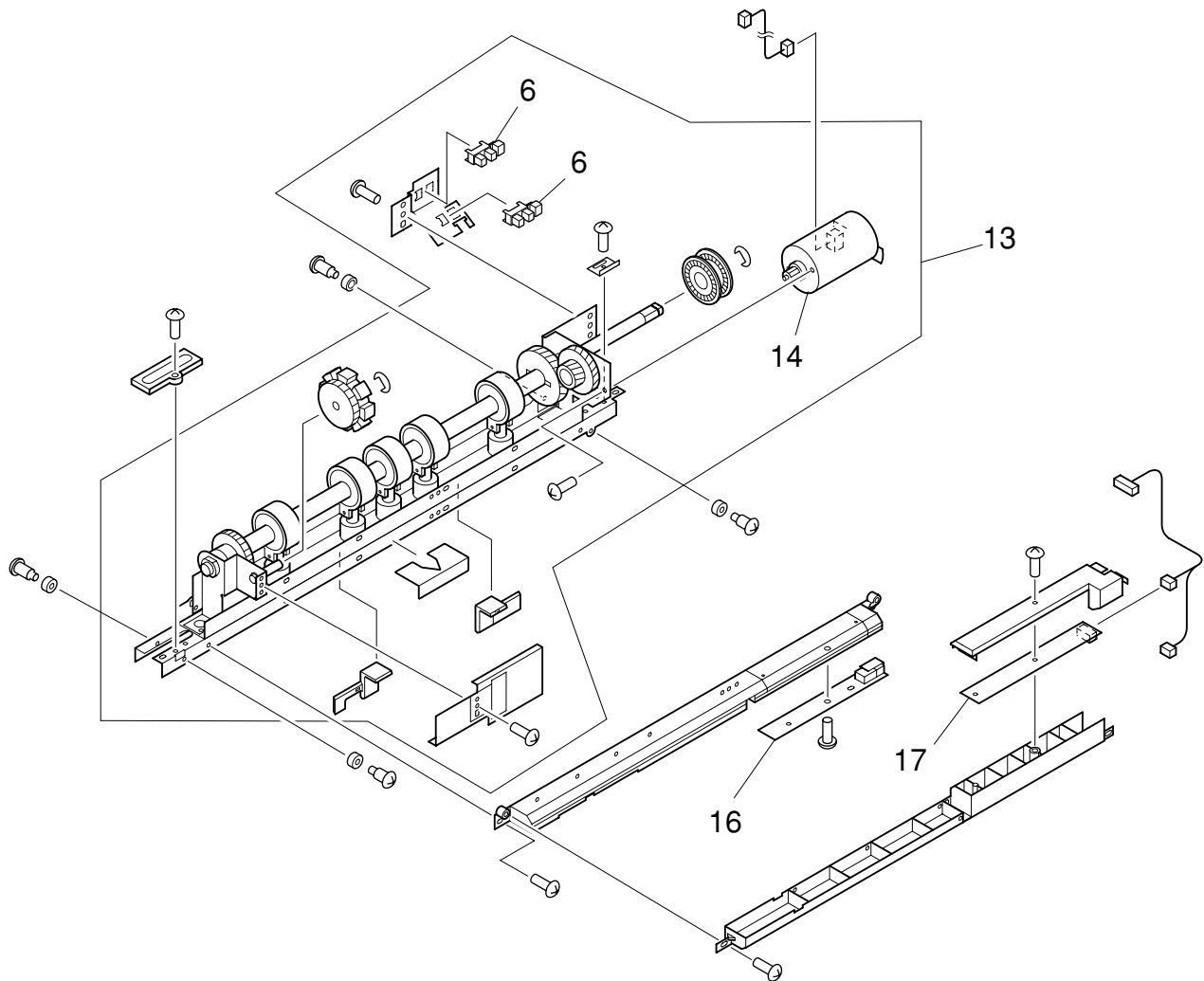
### C1 Puncher Assembly



## C1 Puncher Assy

No.	Parts No.	Name	Remarks
1	43275902	Puncher-Controller-PCB-Assy	
11	43275913	Dust-LED-PCB-Unit	
12	43275914	Dust-PTR-PCB-Unit	
16	43223425	IC TLP1241 Photo-Interrupter	
17	43275918	Panel-Dust-Box	
18	43275919	Cover-Dust-Box	
19	43275920	Motor-Stepping	

### C2 Puncher Total Assembly



## C2 Puncher Total Assy

No.	Parts No.	Name	Remarks
<b>C2</b>		Puncher-Total-Assembly	ODC (2Holes)
	43276028	Puncher-Total-Assembly	ODC (2/3Holes)
		Puncher-Total-Assembly	ODC (4Holes-F)
		Puncher-Total-Assembly	ODC (4Holes-S)
6	43223425	IC TLP1241 Photo-Interrupter	
13		Punch-Unit-2H	ODC (2Holes)
	43276025	Punch-Unit-2/3H	ODC (2/3Holes)
		Punch-Unit-4H-F	ODC (4Holes-F)
		Punch-Unit-4H-S	ODC (4Holes-S)
14	43276014	Motor-DC	
16	43276016	PCB-Unit	
17	43276017	PCB-Unit	