

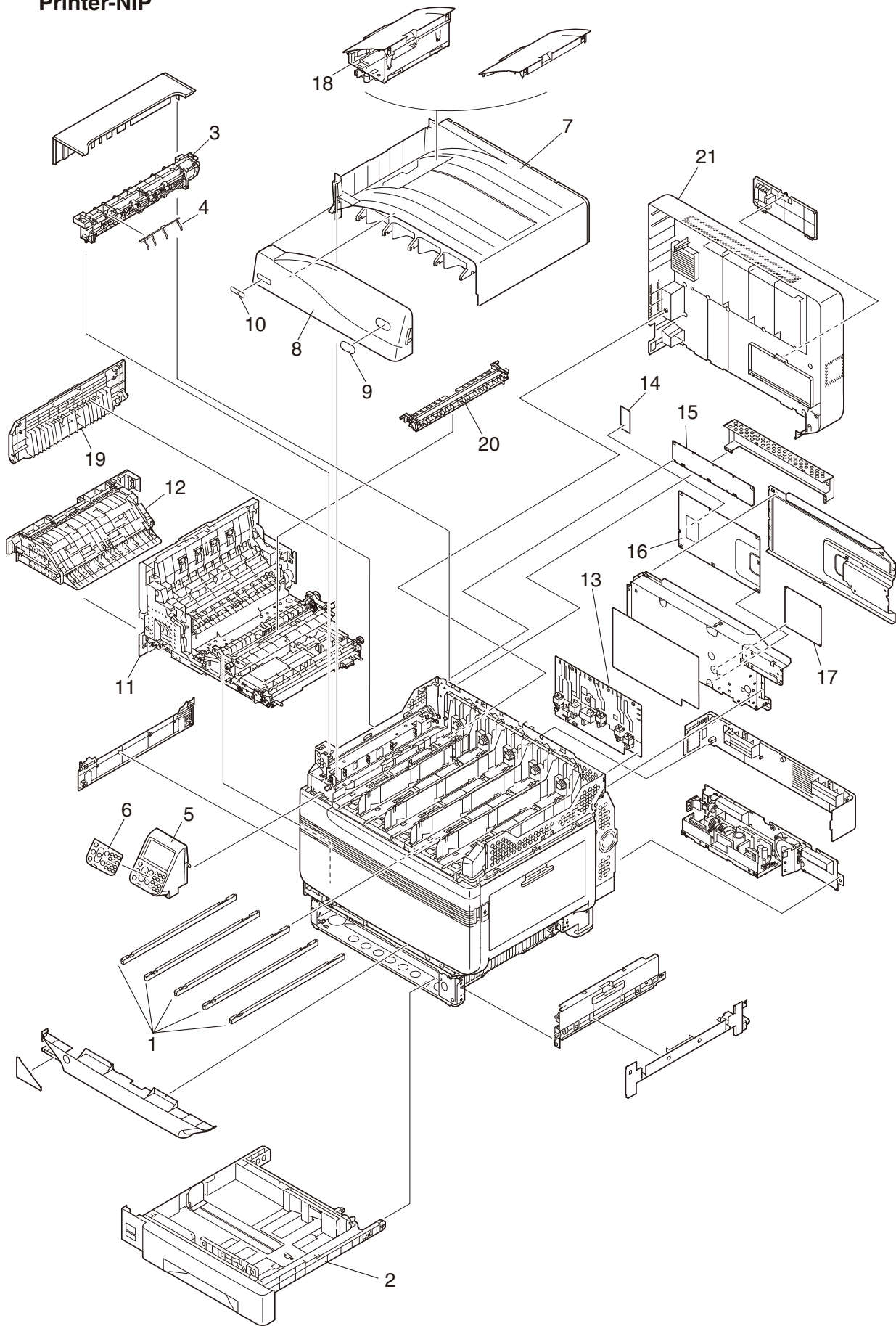
C942

Illustrated Spare

Parts Manual

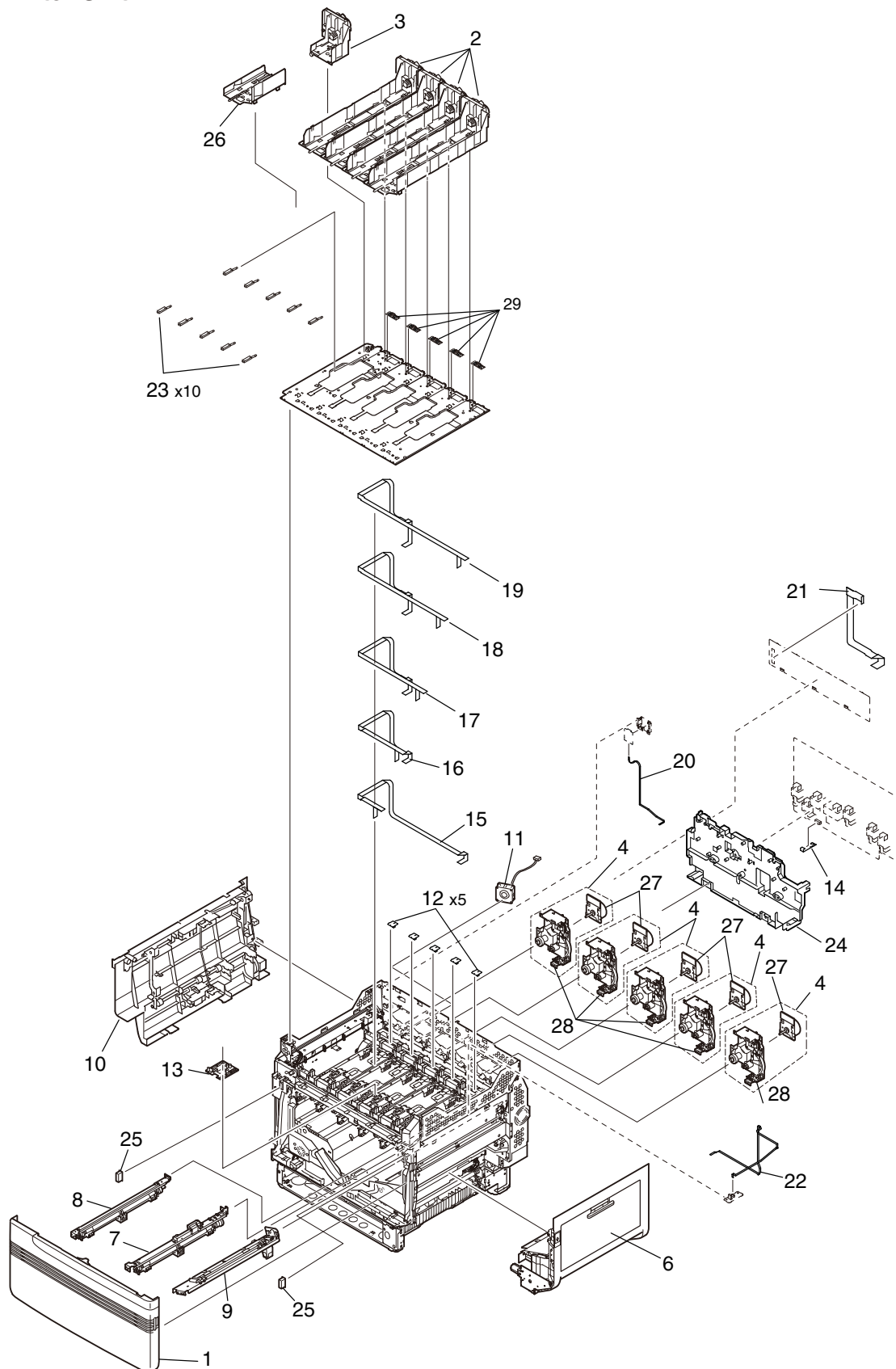
072516 Rev. 4.0

Printer-NIP



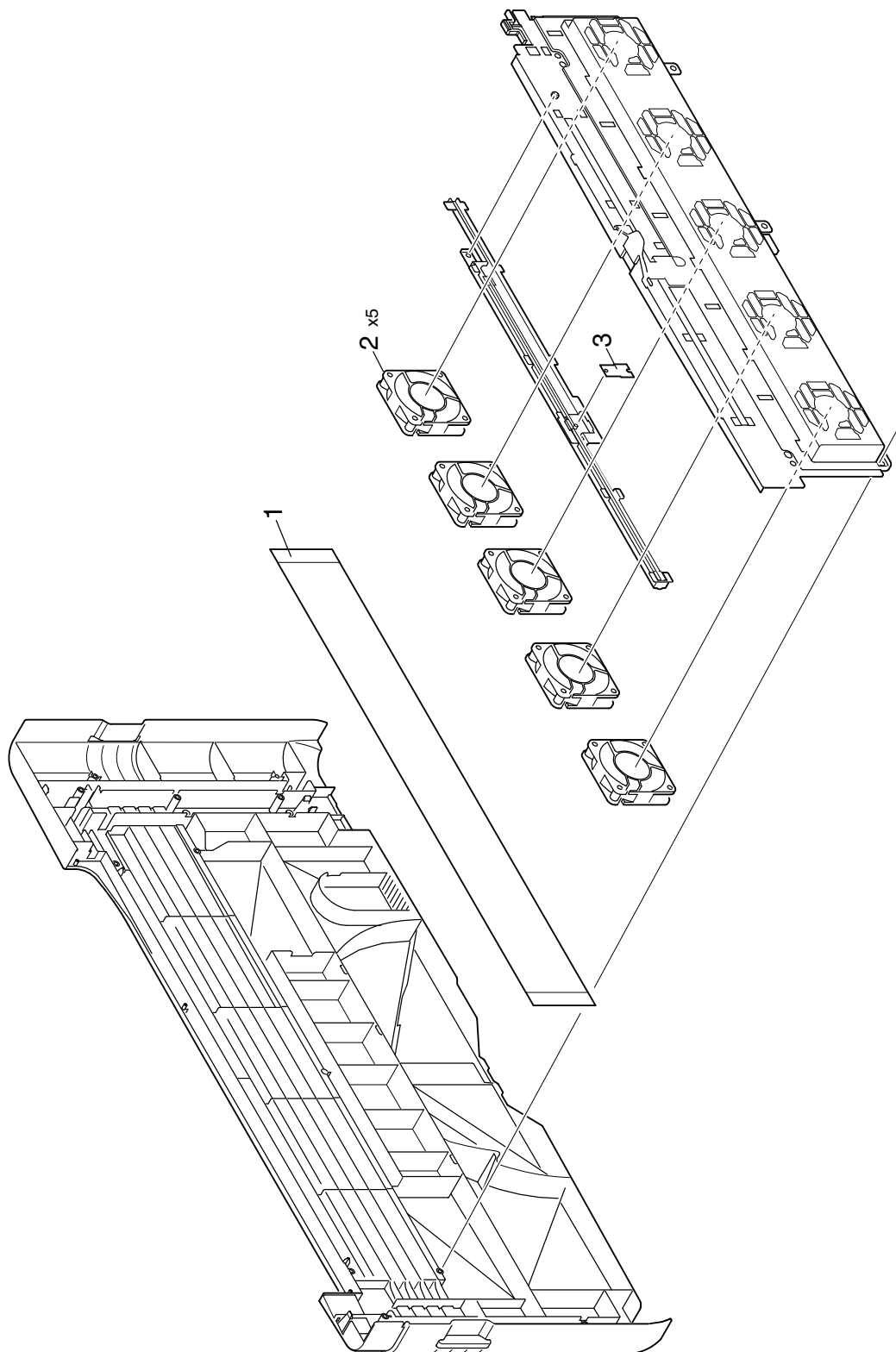
Unit Name	No.	Part Number	Part Name	Q'ty /Unit	Recommended Q'ty/Year			Remarks
					per 500	per 1000	per 2000	
Printer-NIP-	1	45538601	LED Head Unit-63TRL	5	5	10	20	
Printer-NIP-	2	45180401	Cassette Assy.	1	1	2	4	
Printer-NIP-	3	45238101	Eject-Assy-Joboff	1	1	2	4	
Printer-NIP-	4	45241001	Lever-Stacker-Full	1	1	2	4	
Printer-NIP-	5	45247201	Cover-Assy-OP-Panel	1	1	2	4	
Printer-NIP-	6	45247901	Sheet-OP-Panel	1	1	2	4	For OEL/ODA/ODLA/ODB/
Printer-NIP-	7	45248301	Cover-Assy-Top-B	1	1	2	4	
Printer-NIP-	8		Cover Assy-TC	1	1	2	4	
Printer-NIP-	8	45182602	Cover Assy-TC(W)	1	1	2	4	C942
Printer-NIP-	9	45249502	Plate-Logo	1	1	2	4	C942
Printer-NIP-	10	44128761	Plate-Name-C942	1	1	2	4	C942
Printer-NIP-	11	45286205	EJ-Rail-Unit	1	1	2	4	For 100V
Printer-NIP-	11	45286206	EJ-Rail-Unit	1	1	2	4	For 230V
Printer-NIP-	12	45286301	Duplex-Unit-5Color	1	1	2	4	Common for 4 color and 5 color
Printer-NIP-	13	45392601	OR-Board-AHV-5colors	1	1	2	4	For 5 color
Printer-NIP-	14		OR-SODIMM_DDR3_2GB-	1	1	2	4	8020090M4901 OR part of 8020090M4901
Printer-NIP-	16	45623744	maintenance board (C942 ODA)	1	1	2	4	C942-ODA
Printer-NIP-	16	45623748	maintenance board (C942-ODLA)	1	1	2	4	C942-ODLA
Printer-NIP-	16	45623749	maintenance board (C942-ODB)	1	1	2	4	C942-ODB
Printer-NIP-	17	45539901	OR-Board-F1X	1	1	2	4	For 5color only
Printer-NIP-	18	45519807	Frame-Assy-TC-A(Y)	1	1	2	4	For C942
Printer-NIP-	19		Cover-Assy-Jam-Clear	1	1	2	4	
Printer-NIP-	20	45245001	Roller-Assy.-TR2	1	1	2	4	
Printer-NIP-	21		Cover-Rear	1	1	2	4	

Printer-Unit-



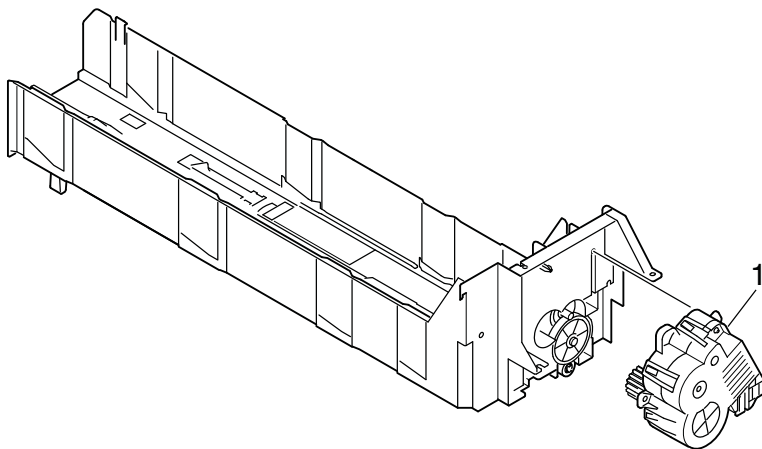
Unit Name	No.	Part Number	Part Name	Q'ty /Unit	Recommended Q'ty/Year			Remarks
					per 500	per 1000	per 2000	
Printer-Unit-	1		Cover Assy.-Front	1	1	2	4	
Printer-Unit-	2	45183401	Frame Assy.-TC	4	1	2	4	Station 2 ~ 5
Printer-Unit-	3	45520001	Frame-Assy.-TC-R	1	1	2	4	Station 1
Printer-Unit-	4	45207403	Motor-Assy-ID	5	1	2	4	
Printer-Unit-	6	45218902	MPT-Unit	1	1	2	4	
Printer-Unit-	7	45228602	Roller-Assy-Regist-2	1	1	2	4	
Printer-Unit-	8	45230601	Roller-Assy-Synchro	1	1	2	4	
Printer-Unit-	9	45231901	Regist-Sensor-Assy_753	1	1	2	4	
Printer-Unit-	10	45233602	Guide-Assy-Eject-M-SP	1	1	2	4	
Printer-Unit-	11	45516801	Moto-FAN(60)	1	1	2	4	
Printer-Unit-	12	45540101	OR-Board-F1N	5	1	2	4	
Printer-Unit-	13	45540201	OR-Board-F1H	1	1	2	4	
Printer-Unit-	14		SMCD-13-100BD(1.0)	1	1	2	4	
Printer-Unit-	15	56647001	SML2SC31-953BL0.5ALZ	1	1	2	4	Station 1 (C942 - Yellow)
Printer-Unit-	16	56647002	SML2SC31-773BL0.5ALZ	1	1	2	4	Station 2 (C942 - Magenta)
Printer-Unit-	17	56647003	SML2SC31-903BL0.5ALZ	1	1	2	4	Station 3 (C942 - Cyan)
Printer-Unit-	18	56647004	SML2SC31-1037BL0.5AL	1	1	2	4	Station 4 (C942 - Black)
Printer-Unit-	19	56647005	SML2SC31-1170BL0.5AL	1	1	2	4	Station 5 (C942 - White)
Printer-Unit-	20		20624FWR1.0-5-405	1	1	2	4	
Printer-Unit-	21		20624FWR1.0-30-555	1	1	2	4	
Printer-Unit-	22		20624FWR1.0-6-920	1	1	2	4	
Printer-Unit-	23		Plate-Fix-Pivot	10	2	4	8	
Printer-Unit-	24		Frame-HV-TR-Assy-5Color	1	1	2	4	
Printer-Unit-	25		Magnet	2	2	4	8	
Printer-Unit-	26	45519901	Frame-Assy.-TC-F	1	1	2	4	Station 1
Printer-Unit-	27	45209201	Motor-DC(ID)	5	1	2	4	
Printer-Unit-	28	45868501	Bracket-Motor-Assy-ID	5	1	2	4	
Printer-Unit-	29	45540601	OR-Board-F1G	5	5	10	20	

Cover-Assy-Front



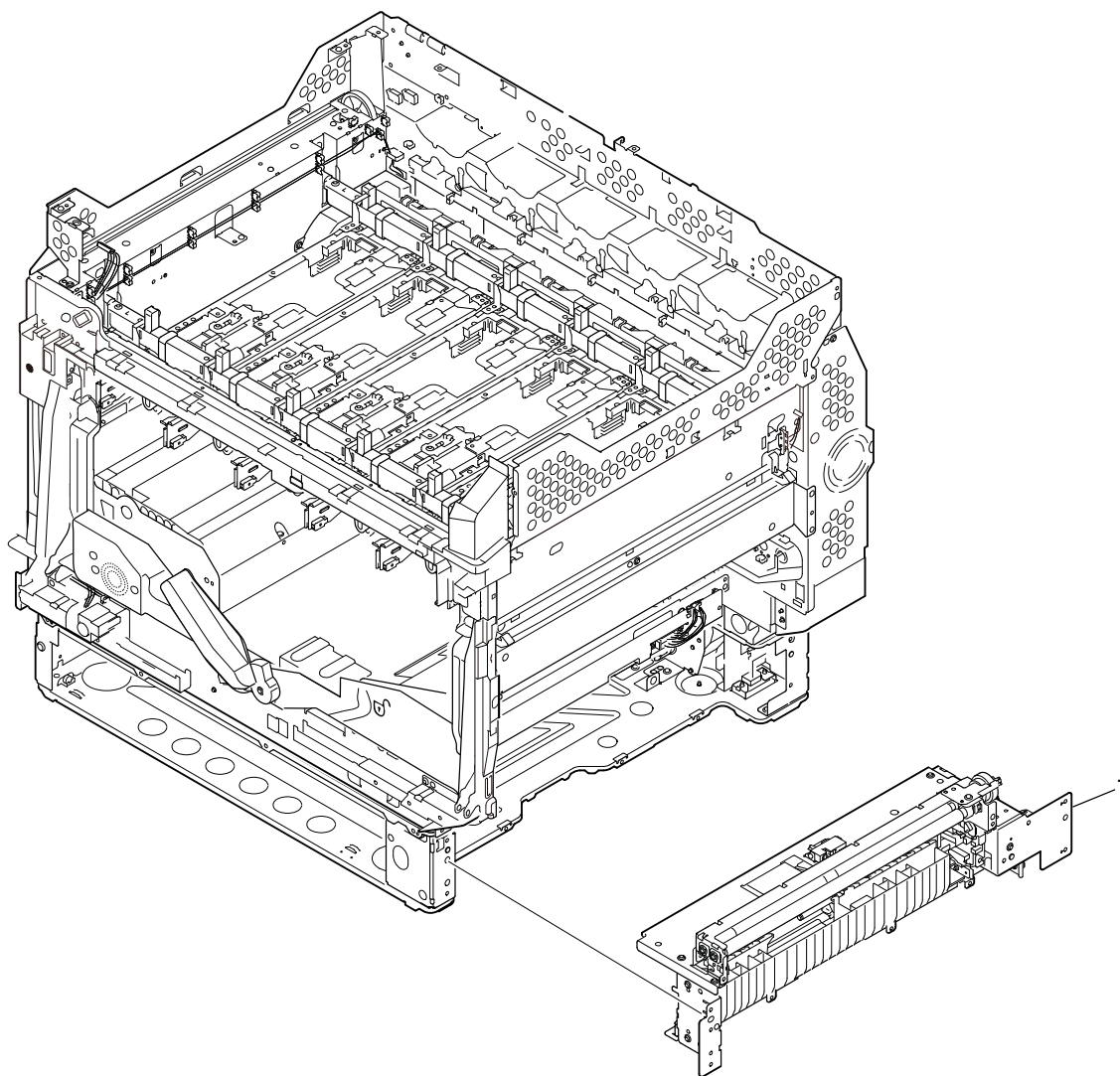
Unit Name	No.	Part Number	Part Name	Q'ty /Unit	Recommended Q'ty/Year			Remarks
					per 500	per 1000	per 2000	
Cover Assy-Front	1	45512901	Filter-Front	1	1	2	4	
Cover Assy-Front	2	45516301	Motor-FAN(60-15)	5	5	10	20	
Cover Assy-Front	3	45541001	OR-Board-F1E	1	1	2	4	

Frame-Assy-TC



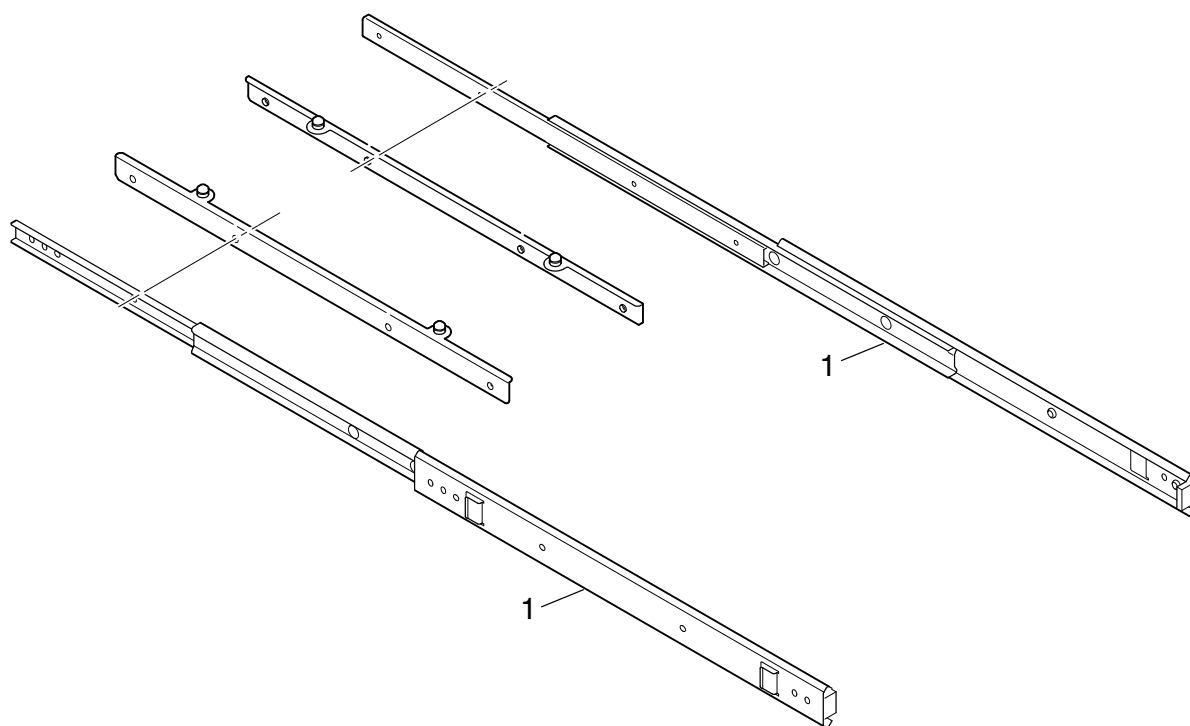
Unit Name	No.	Part Number	Part Name	Q'ty /Unit	Recommended Q'ty/Year			Remarks
					per 500	per 1000	per 2000	
Frame-Assy-TC	1	45171801	Motor-Assy-Geard	5	1	2	4	

Main-Frame-Assy



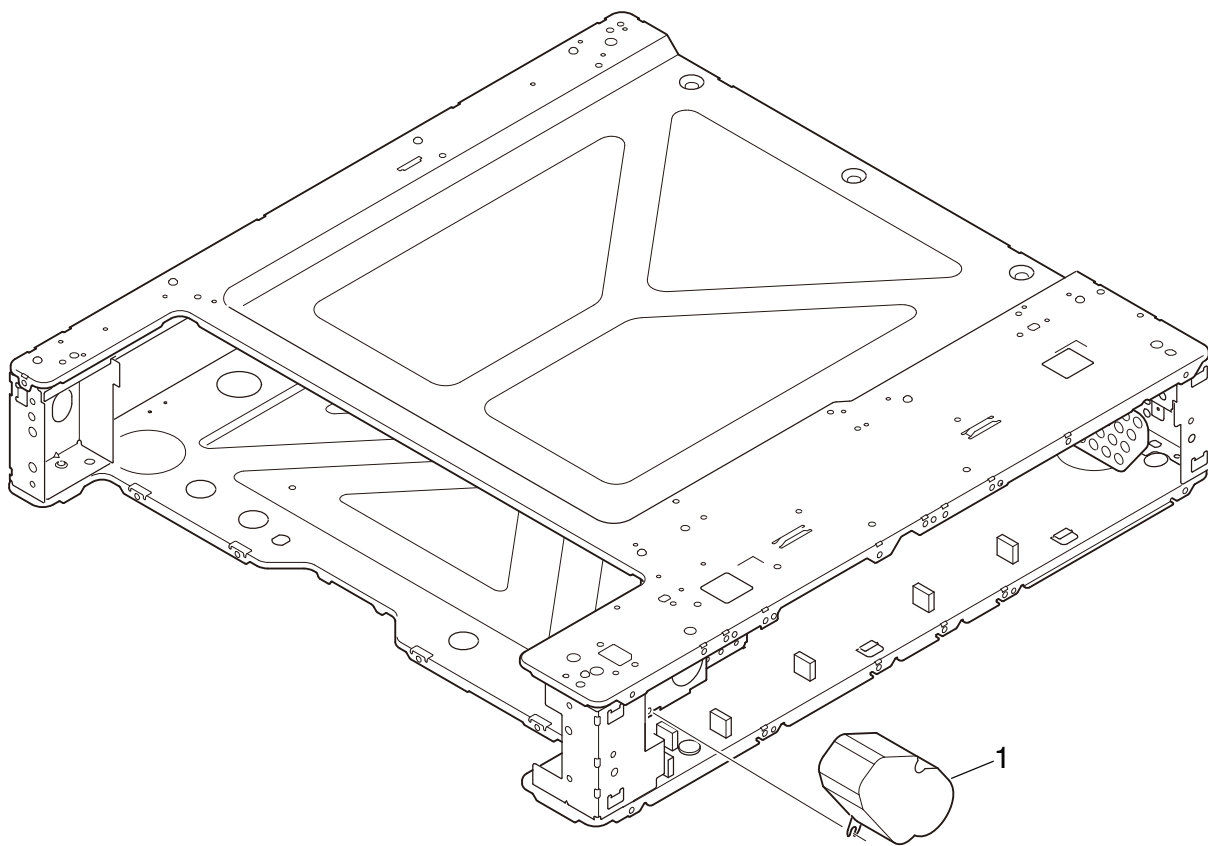
Unit Name	No.	Part Number	Part Name	Q'ty /Unit	Recommended Q'ty/Year			Remarks
					per 500	per 1000	per 2000	
Main-Frame-Assy	1	45173503	Hopping-Unit	1	1	2	4	

Slide-Rail-Assy-L/R



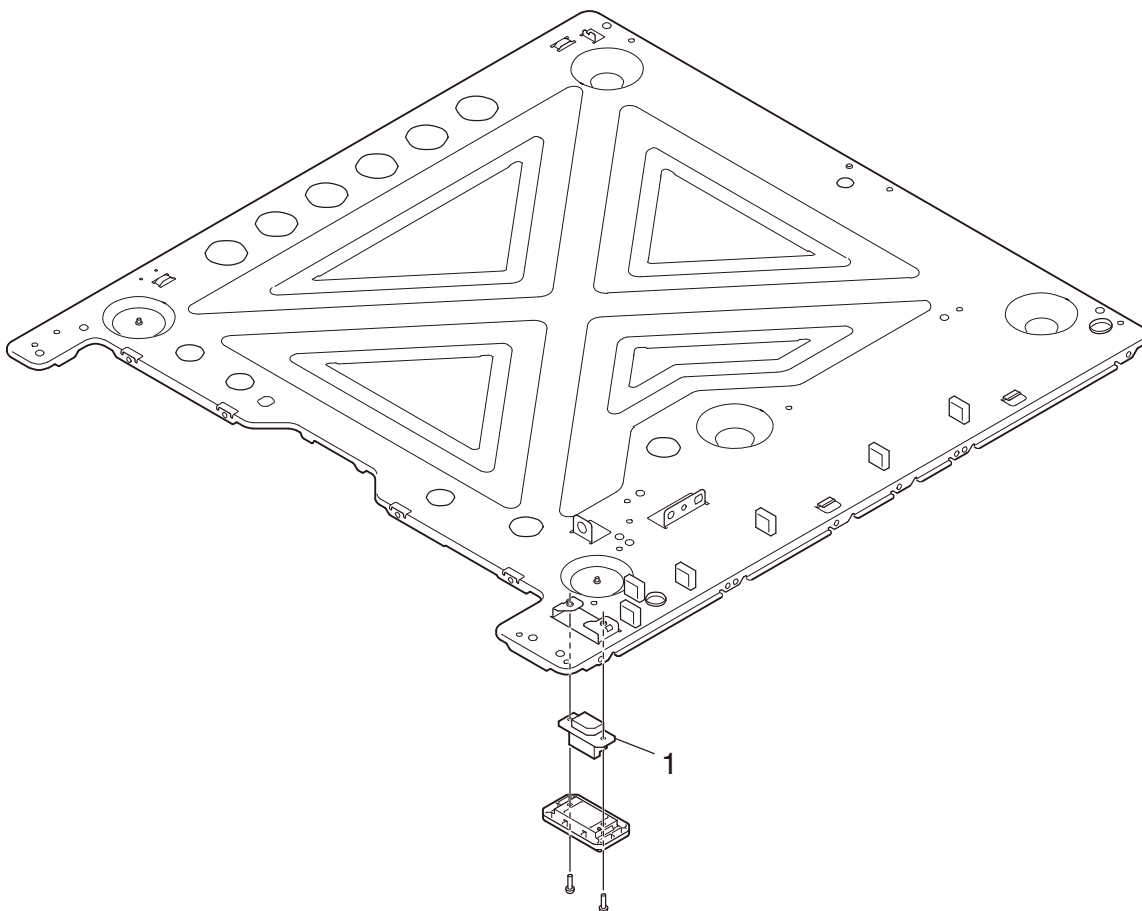
Unit Name	No.	Part Number	Part Name	Q'ty /Unit	Recommended Q'ty/Year			Remarks
					per 500	per 1000	per 2000	
Slide-Rail-Assy-L/R	1		Slide-Rail	2	1	2	4	

Plate-Base-Assy



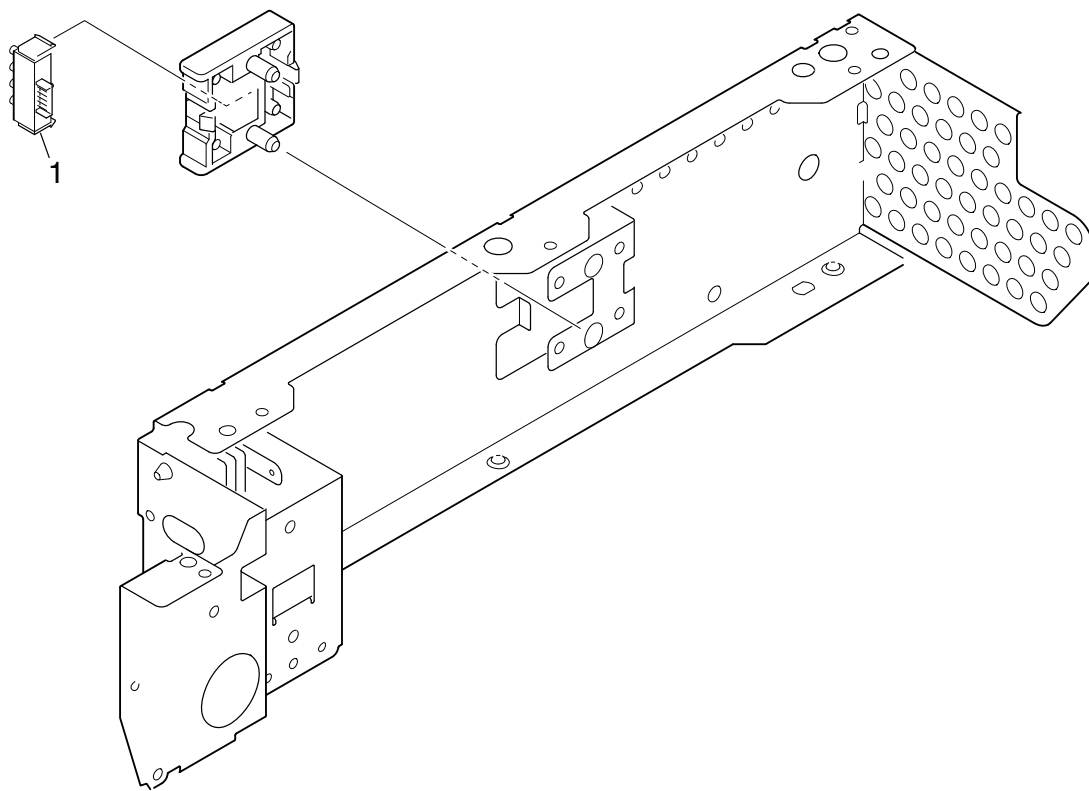
Unit Name	No.	Part Number	Part Name	Q'ty /Unit	Recommended Q'ty/Year			Remarks
					per 500	per 1000	per 2000	
Plate-Base-Assy	1	42694602	Geard-Motor(Optional)	1	1	2	4	

Plate-Assy-Bottom



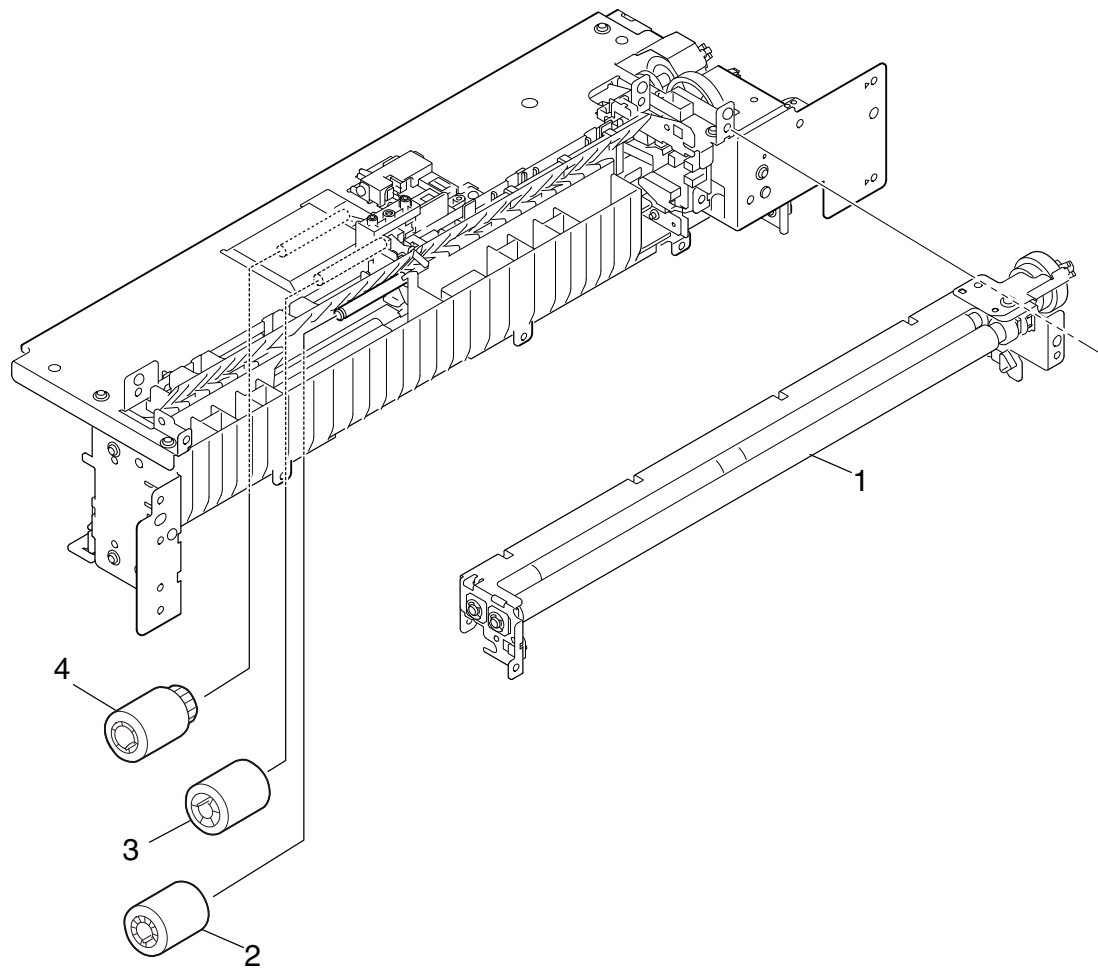
Unit Name	No.	Part Number	Part Name	Q'ty /Unit	Recommended Q'ty/Year			Remarks
					per 500	per 1000	per 2000	
Plate-Assy-Bottom	1	56731640	9714N-14Z02-G4C	1	1	2	4	

PS-Sensor-Assy



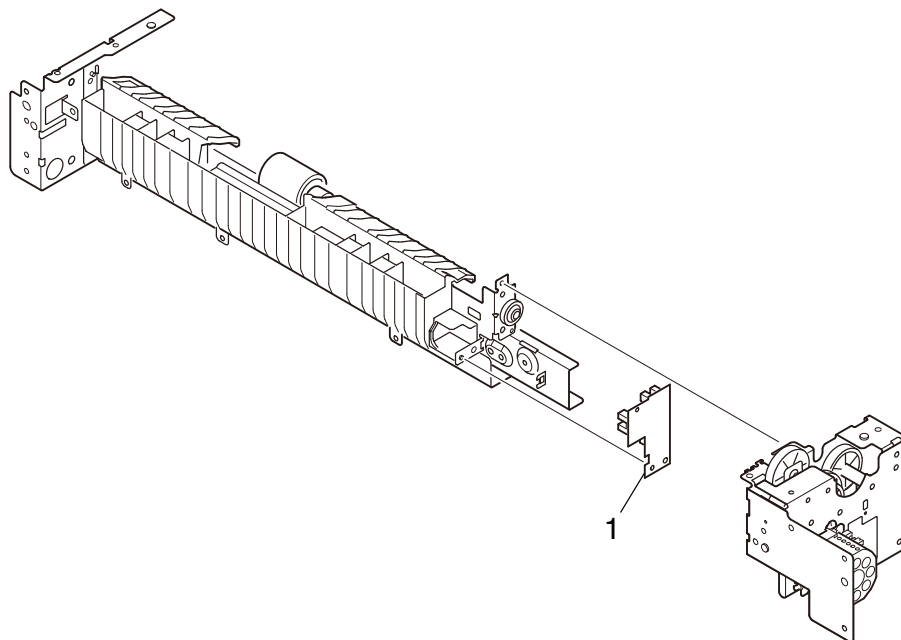
Unit Name	No.	Part Number	Part Name	Q'ty /Unit	Recommended Q'ty/Year			Remarks
					per 500	per 1000	per 2000	
PS-Sensor-Assy	1		HS12-0010	1	1	2	4	

Hopping-Unit



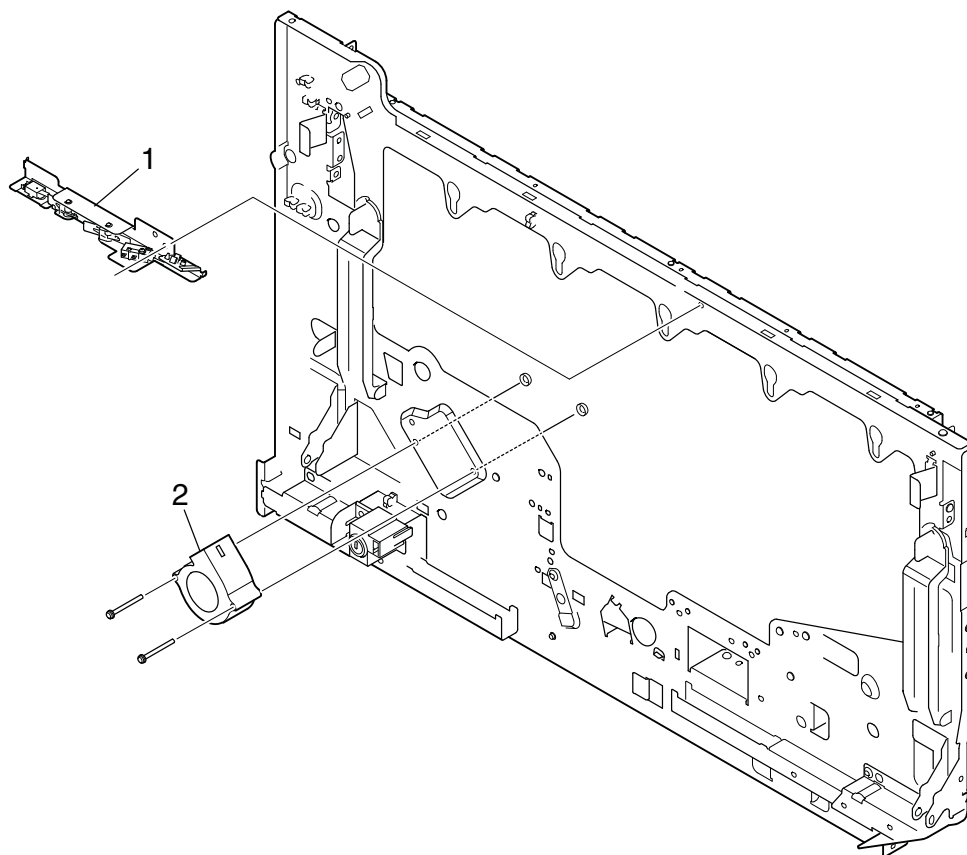
Unit Name	No.	Part Number	Part Name	Q'ty /Unit	Recommended Q'ty/Year			Remarks
					per 500	per 1000	per 2000	
Hopping-Unit	1	45177801	Roller-Assy-Regist-T	1	1	2	4	
Hopping-Unit	2	41766501	Roller-Feed	1	1	2	4	
Hopping-Unit	3	43000601	Roller-Feed-NOW	1	1	2	4	
Hopping-Unit	4	42699401	Roller-Pick-Up	1	1	2	4	

Plate-Assy-Retard



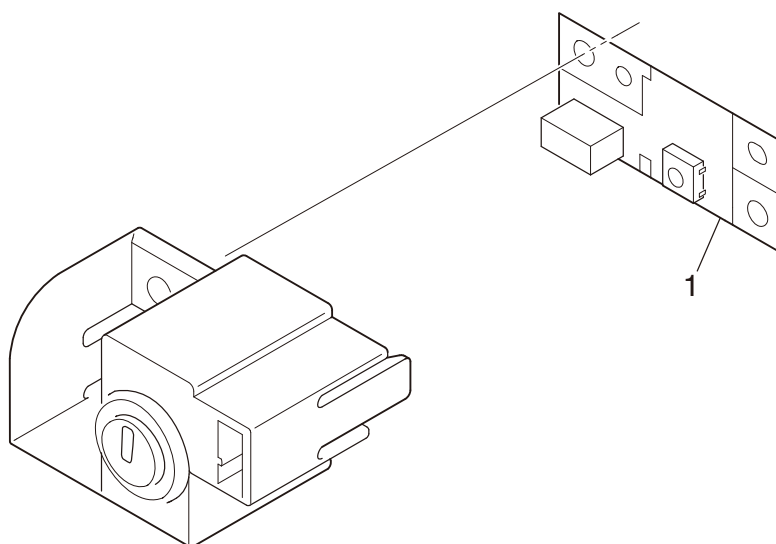
Unit Name	No.	Part Number	Part Name	Q'ty /Unit	Recommended Q'ty/Year			Remarks
					per 500	per 1000	per 2000	
Plate-Assy-Retard	1	45540401	OR-Board-F1K	1	1	2	4	

Plate-Assy-Front



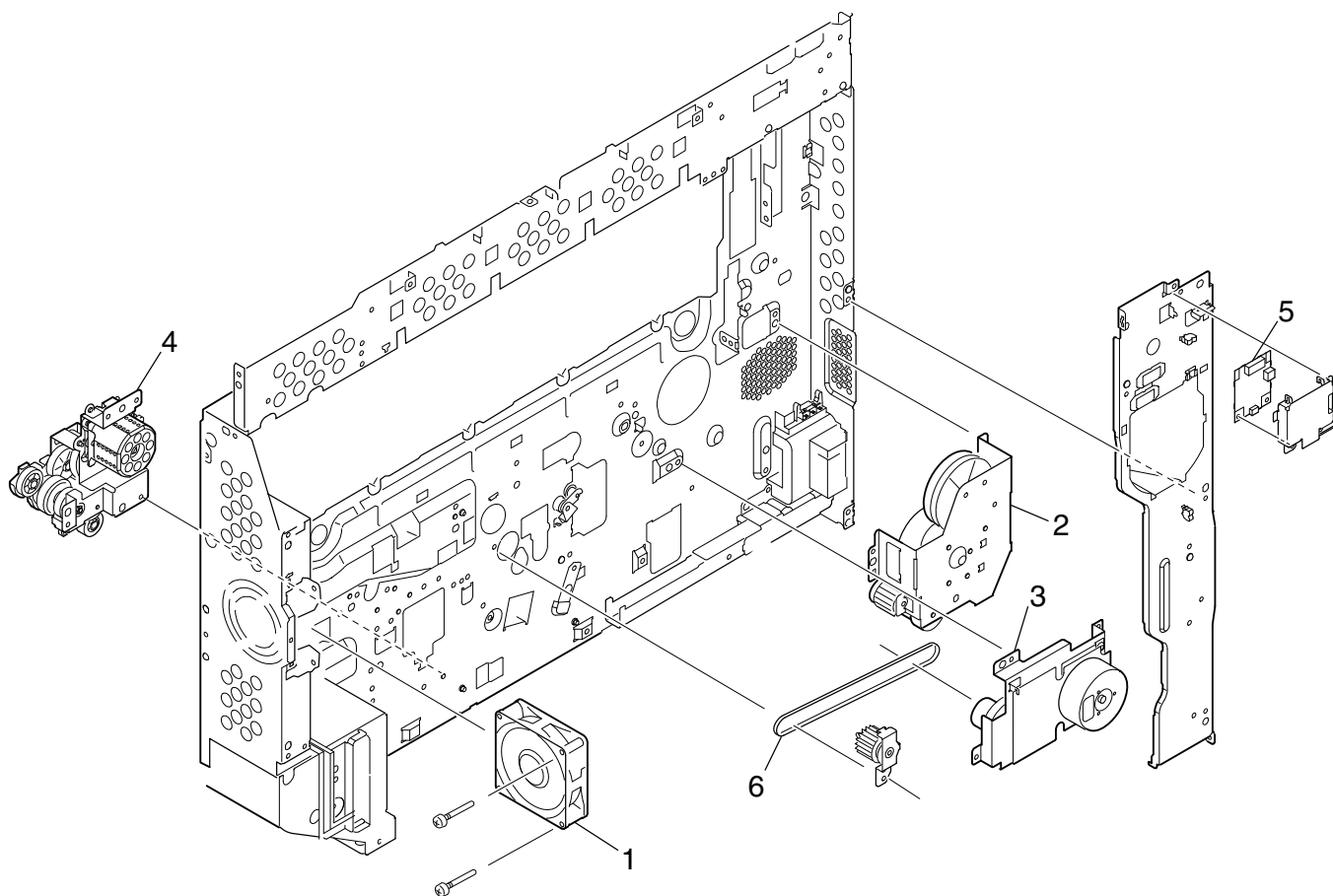
Unit Name	No.	Part Number	Part Name	Q'ty /Unit	Recommended Q'ty/Year			Remarks
					per 500	per 1000	per 2000	
Plate-Assy-Front	1	45188301	Sensor-Assy-Front	1	1	2	4	
Plate-Assy-Front	2	45552101	Motor-FAN	1	1	2	4	

Holder-Assy-soft SW



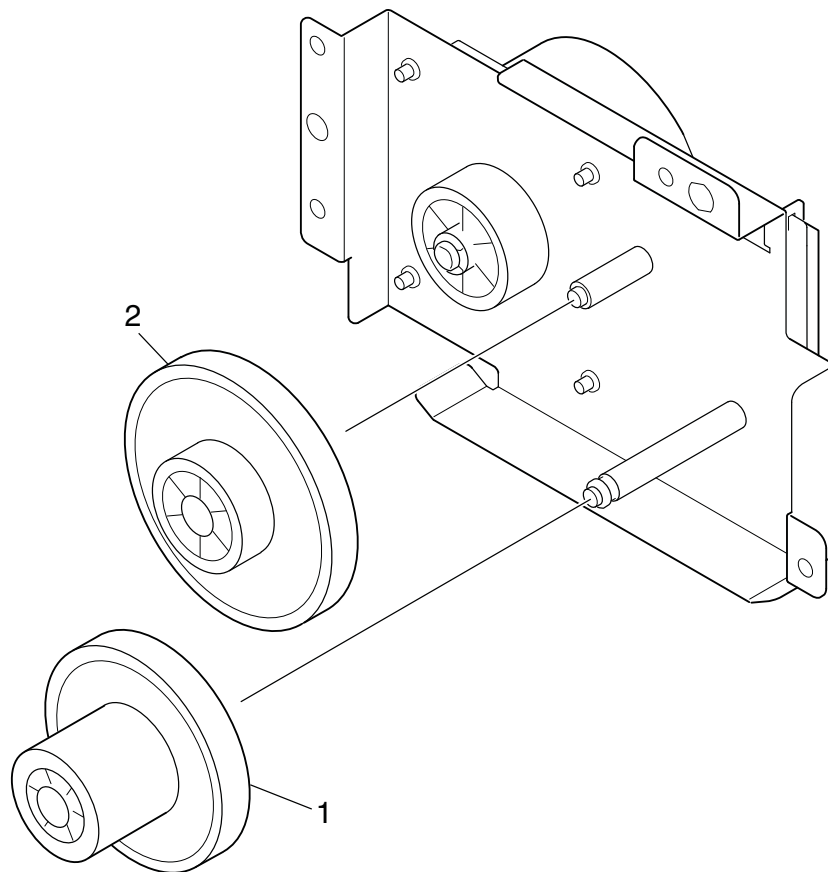
Unit Name	No.	Part Number	Part Name	Q'ty /Unit	Recommended Q'ty/Year			Remarks
					per 500	per 1000	per 2000	
Holder-Assy-SoftSW	1	45540901	OR-Board-F1W	1	1	2	4	

Plate-Assy-Rear



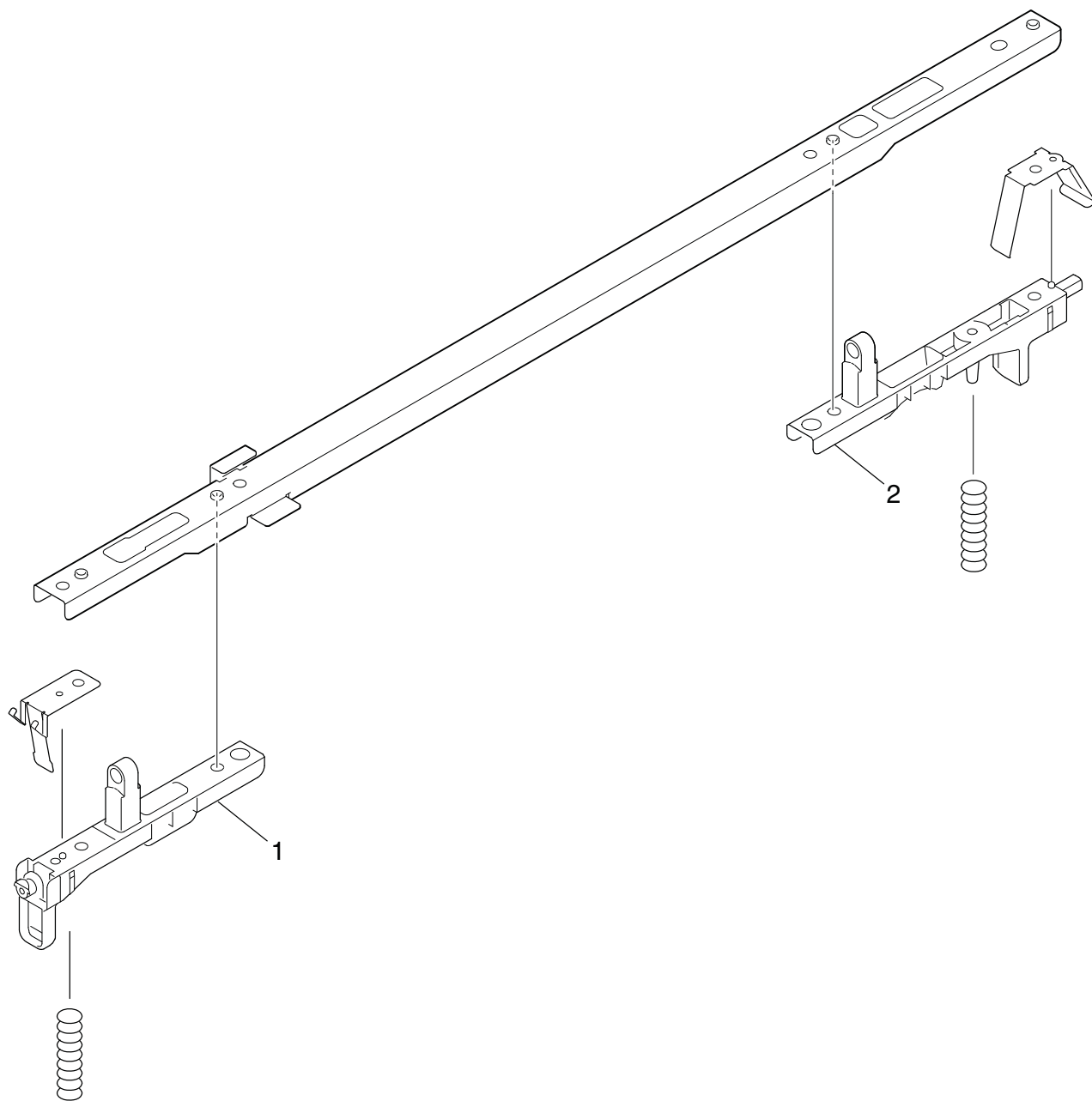
Unit Name	No.	Part Number	Part Name	Q'ty /Unit	Recommended Q'ty/Year			Remarks
					per 500	per 1000	per 2000	
Plate-Assy-Rear	1	45180202	Motor-Fan	1	1	2	4	
Plate-Assy-Rear	2	45189701	Belt-Drive-Assy	1	1	2	4	
Plate-Assy-Rear	3	45192101	Fuser-Drive-Assy	1	1	2	4	
Plate-Assy-Rear	4	45192901	Motor Assy.-Regist	1	1	2	4	
Plate-Assy-Rear	5	45085901	Read Write System Contact	1	1	2	4	
Plate-Assy-Rear	6	42846706	Belt-Mini Pitch(B190)	1	1	2	4	

Fuser-Drive-Assy



Unit Name	No.	Part Number	Part Name	Q'ty /Unit	Recommended Q'ty/Year			Remarks
					per 500	per 1000	per 2000	
Fuser-Drive-Assy	1		Gear-Red-Z56/16	1	1	2	4	
Fuser-Drive-Assy	2		Gear-Red-Z66/27	1	1	2	4	

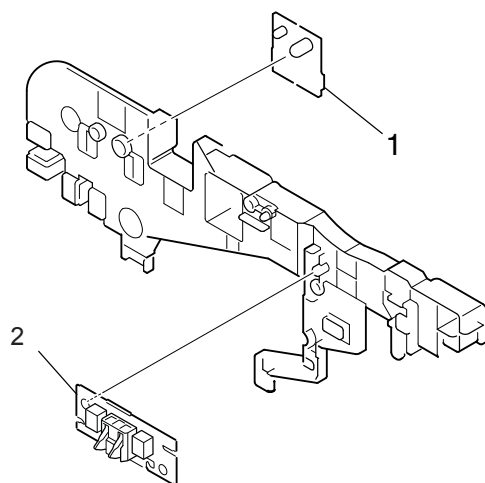
Holde-Head-Assy



Unit Name	No.	Part Number	Part Name	Q'ty /Unit	Recommended Q'ty/Year			Remarks
					per 500	per 1000	per 2000	
Holder-Head-Assy	1	45206801	Holder-Head-F	5	5	10	20	
Holder-Head-Assy	2	45206901	Holder-Head-R	5	5	10	20	

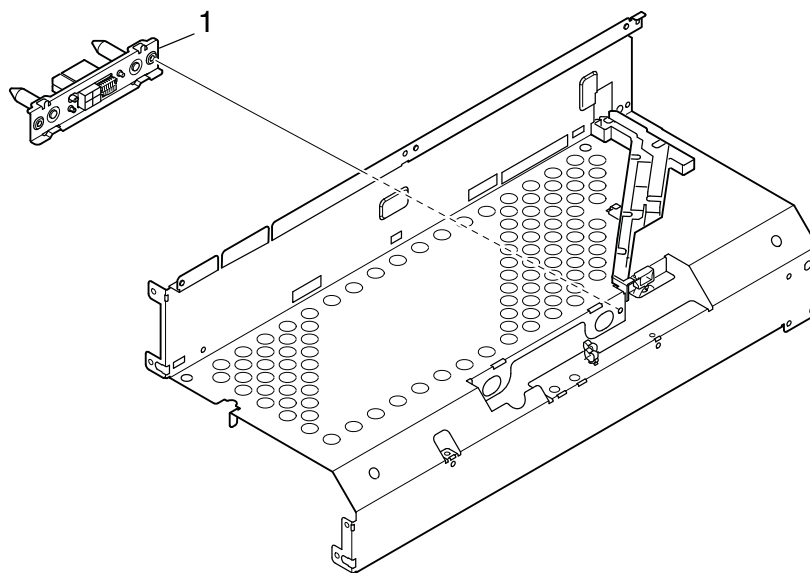
Sensor-Assy-WT

(C942 - Sensor Assy - Yellow)



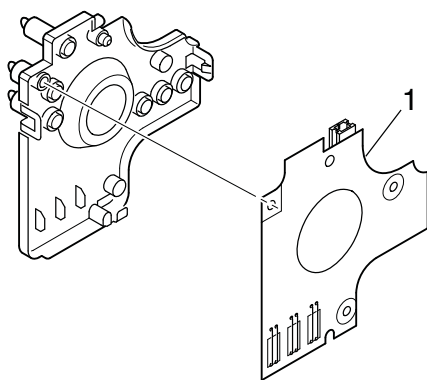
Unit Name	No.	Part Number	Part Name	Q'ty /Unit	Recommended Q'ty/Year			Remarks
					per 500	per 1000	per 2000	
Sensor-Assy	1	45540101	OR-Board-F1N	1	1	2	4	
Sensor-Assy	2	45540601	OR-Board-F1G	1	1	2	4	

Plate-Assy-Side-LB



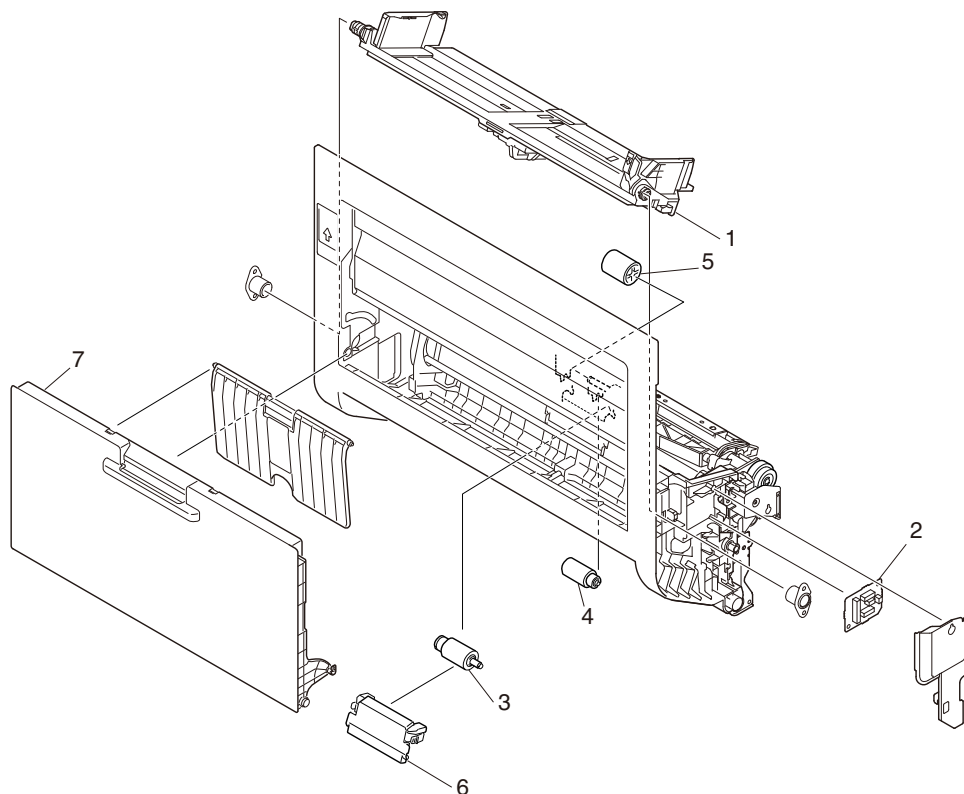
Unit Name	No.	Part Number	Part Name	Q'ty /Unit	Recommended Q'ty/Year			Remarks
					per 500	per 1000	per 2000	
Plate-Assy-Side-LB	1	45198401	CONN-Assy-Fuser	1	1	2	4	

Contact-Assy



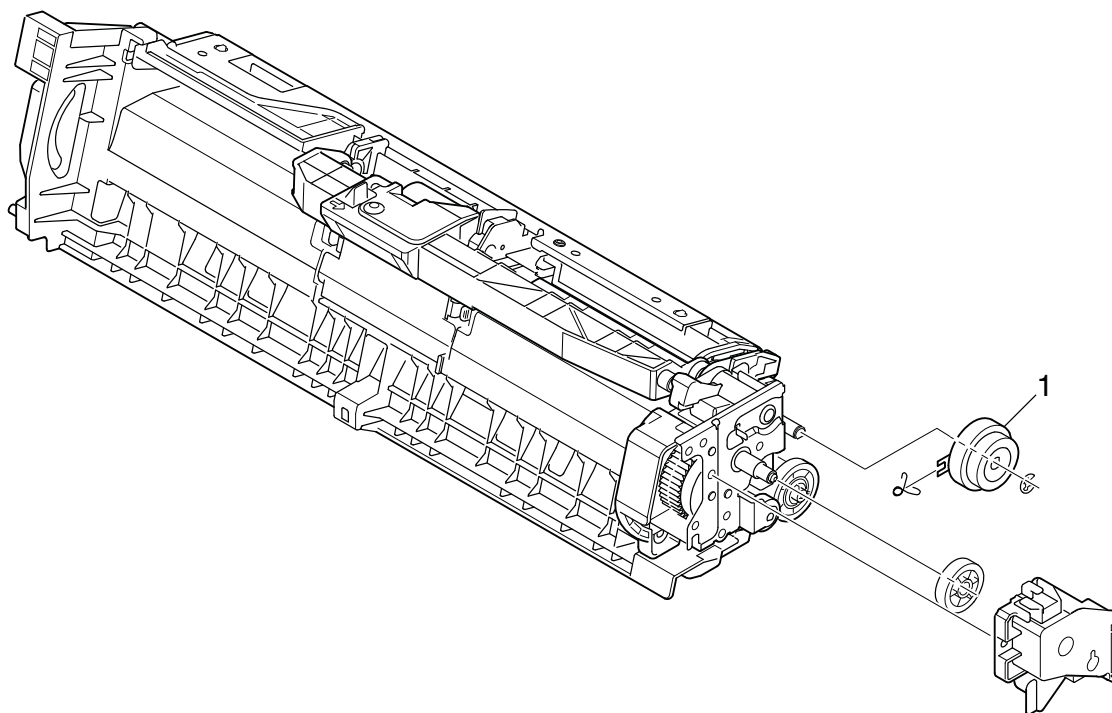
Unit Name	No.	Part Number	Part Name	Q'ty /Unit	Recommended Q'ty/Year			Remarks
					per 500	per 1000	per 2000	
Contact-Assy	1	45449201	OR-Board-AHR	5	1	2	4	

MPT-Unit



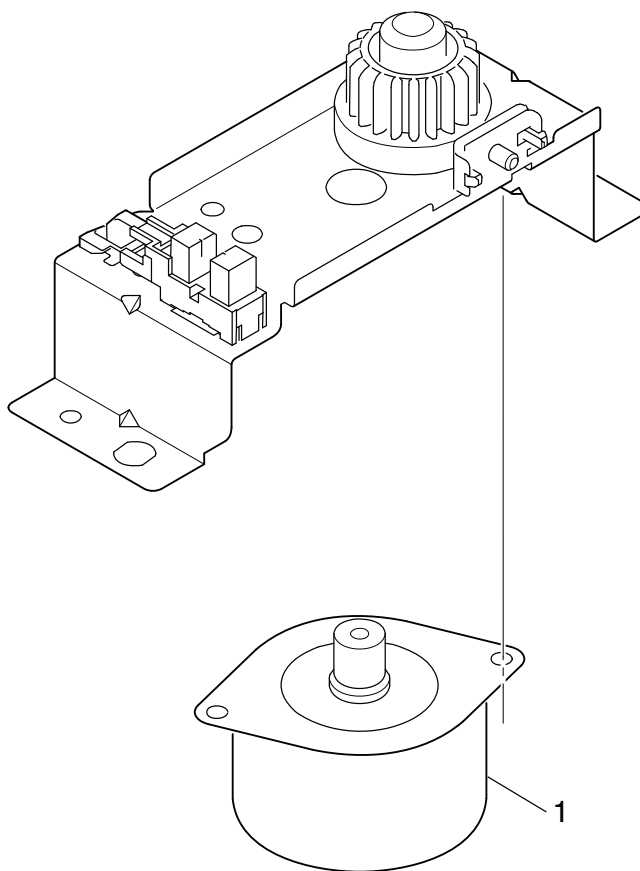
Unit Name	No.	Part Number	Part Name	Qty /Unit	Recommended Q'ty/Year			Remarks
					per 500	per 1000	per 2000	
MPT-Unit	1	45220001	Hopper-Assy	1	1	2	4	
MPT-Unit	2	45540301	OR-Board-F1S	1	1	2	4	
MPT-Unit	3	44732301	Roller Assy.-Retard	1	1	2	4	
MPT-Unit	4	42954401	Roller Assy.-Pickup	1	1	2	4	
MPT-Unit	5	44750301	Roller-Feed-NOW	1	1	2	4	
MPT-Unit	6	45224501	Guide-Retard-Adh	1	1	2	4	
MPT-Unit	7		Cover-MPT	1	1	2	4	

Feeder-Assy



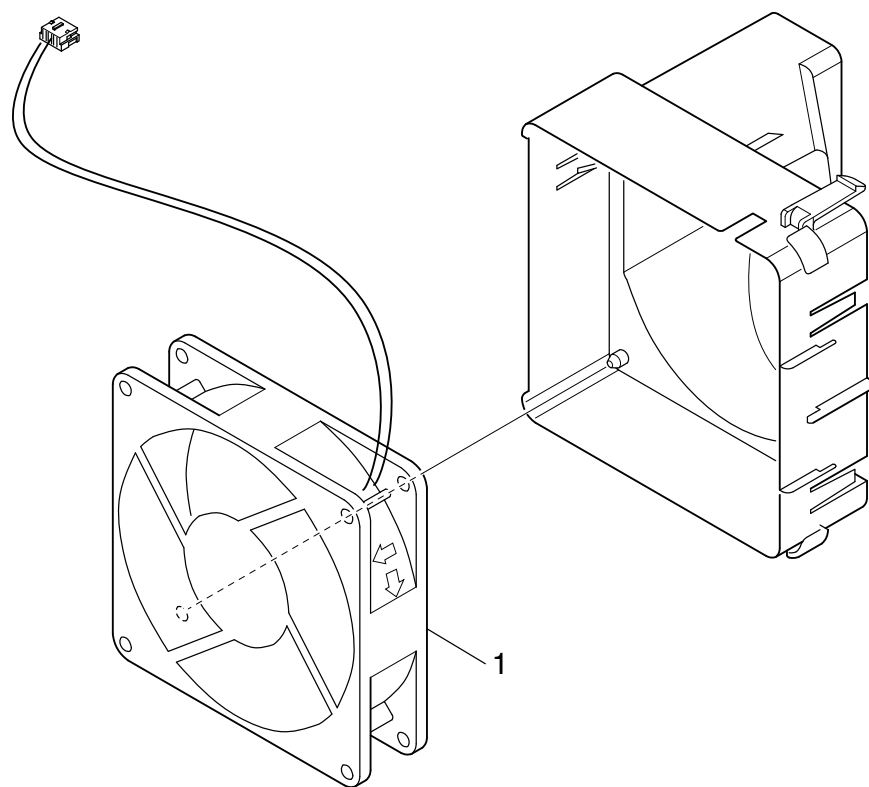
Unit Name	No.	Part Number	Part Name	Q'ty /Unit	Recommended Q'ty/Year			Remarks
					per 500	per 1000	per 2000	
Feeder-Assy	1	45366007	Clutch	1	1	2	4	

Motor-Assy-JobOFF



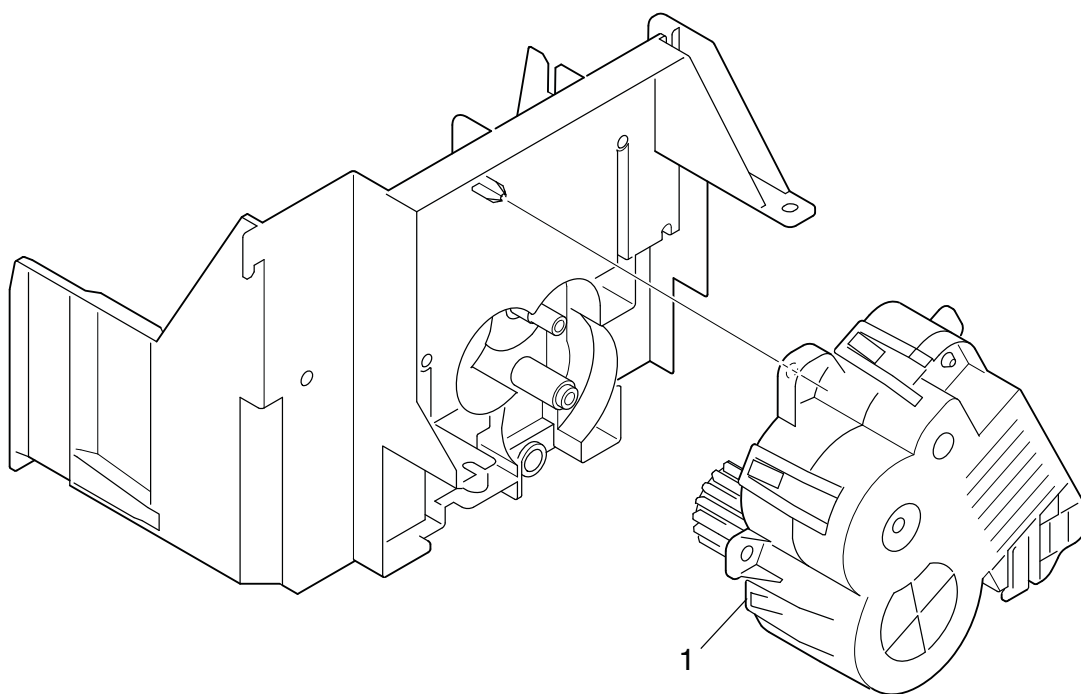
Unit Name	No.	Part Number	Part Name	Q'ty /Unit	Recommended Q'ty/Year			Remarks
					per 500	per 1000	per 2000	
Motor-Assy-JoboFF	1	42058201	Motor-Resist	1	1	2	4	

Motor-Assy-FAN



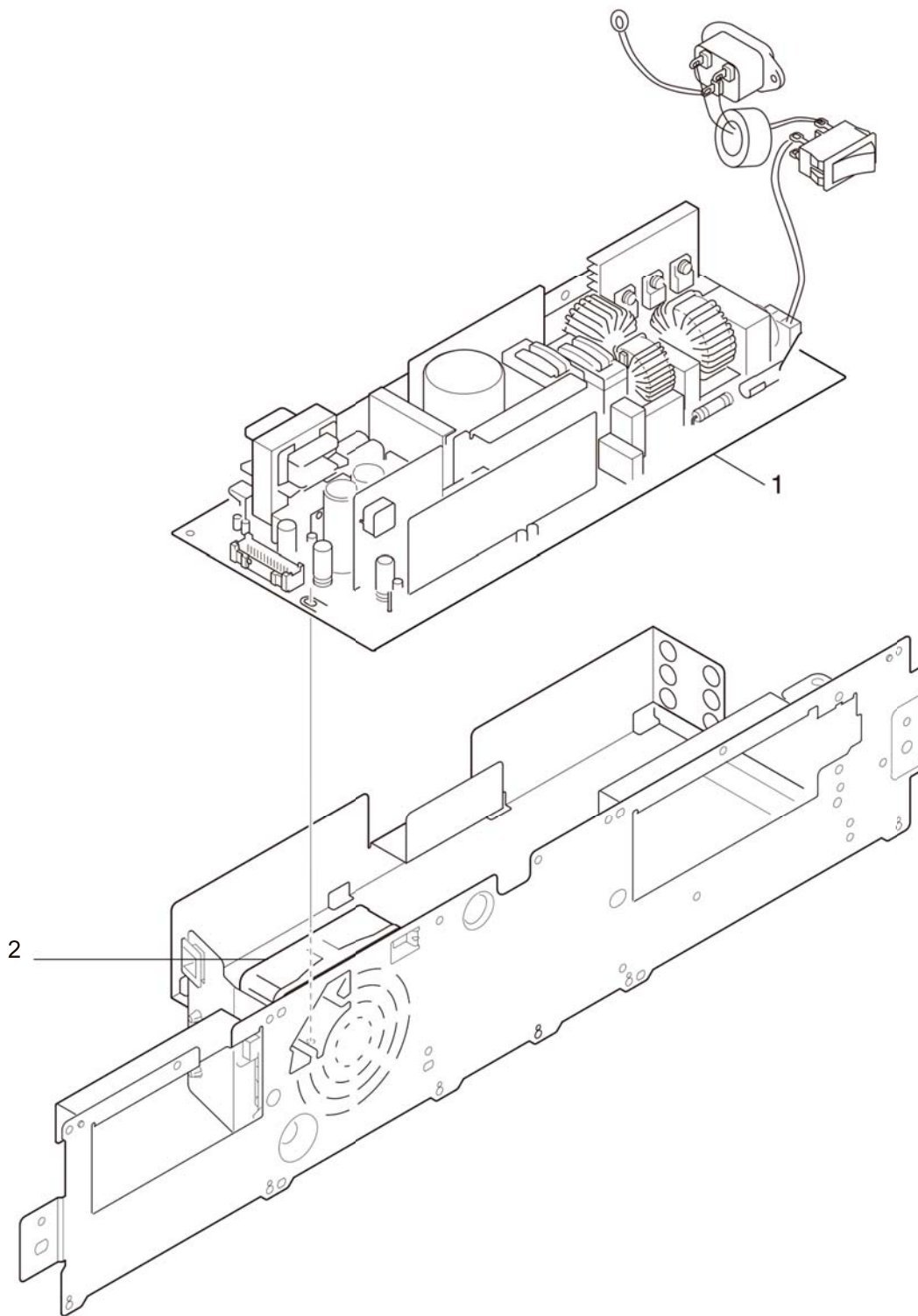
Unit Name	No.	Part Number	Part Name	Q'ty /Unit	Recommended Q'ty/Year			Remarks
					per 500	per 1000	per 2000	
Motor-Assy-FAN	1	42781702	Motor-Fan	1	1	2	4	

Frame-Assy-TC-R



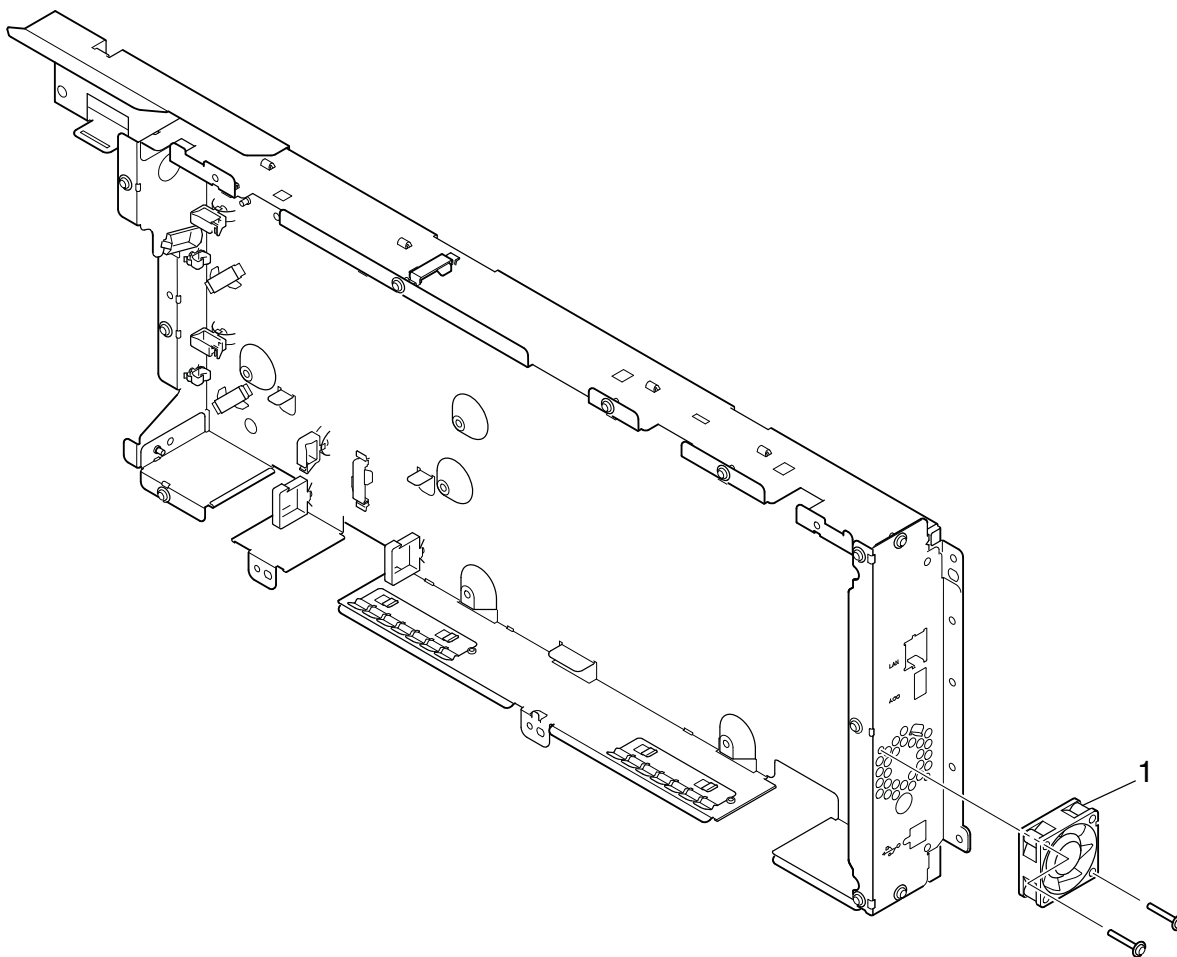
Unit Name	No.	Part Number	Part Name	Q'ty /Unit	Recommended Q'ty/Year			Remarks
					per 500	per 1000	per 2000	
Frame-Assy-TC-R	1	45171801	Motor-Assy-Geard	1	1	2	4	For 5 color

Board-Power-Sub-Assy



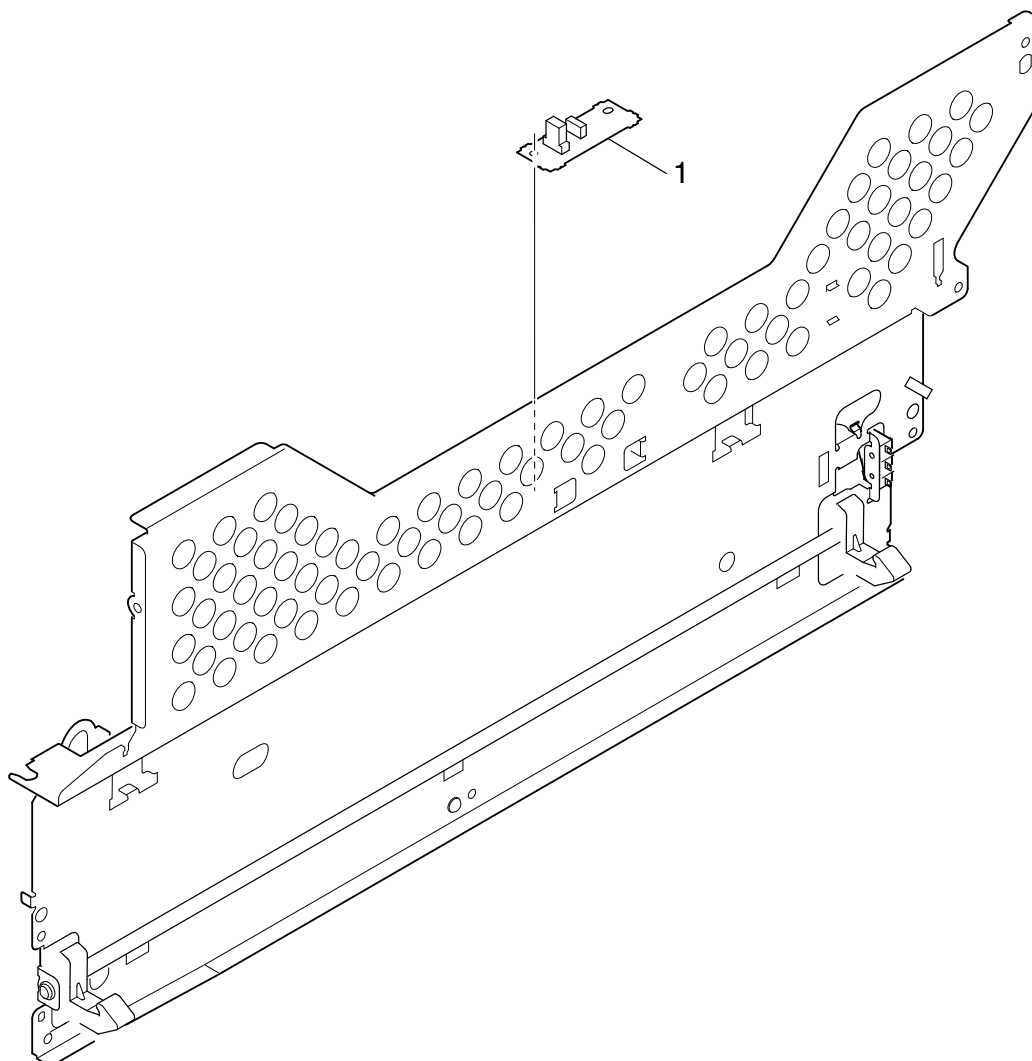
Unit Name	No.	Part Number	Part Name	Q'ty /Unit	Recommended Q'ty/Year			Remarks
					per 500	per 1000	per 2000	
Board-Power-Sub-Assy	1	44978701	PWR unit-ACDC Switch	1	1	2	4	
Board-Power-Sub-Assy	2	45180201	Motor-Fan	1	1	2	4	
Board-Power-Sub-Assy		45521601	CONN Cord-JST3P-INLET	1	1	2	4	For other than ODB
Board-Power-Sub-Assy		45676601	CONN Cord-JST3P-INLET	1	1	2	4	For ODB

Box-Main-PCB-Assy



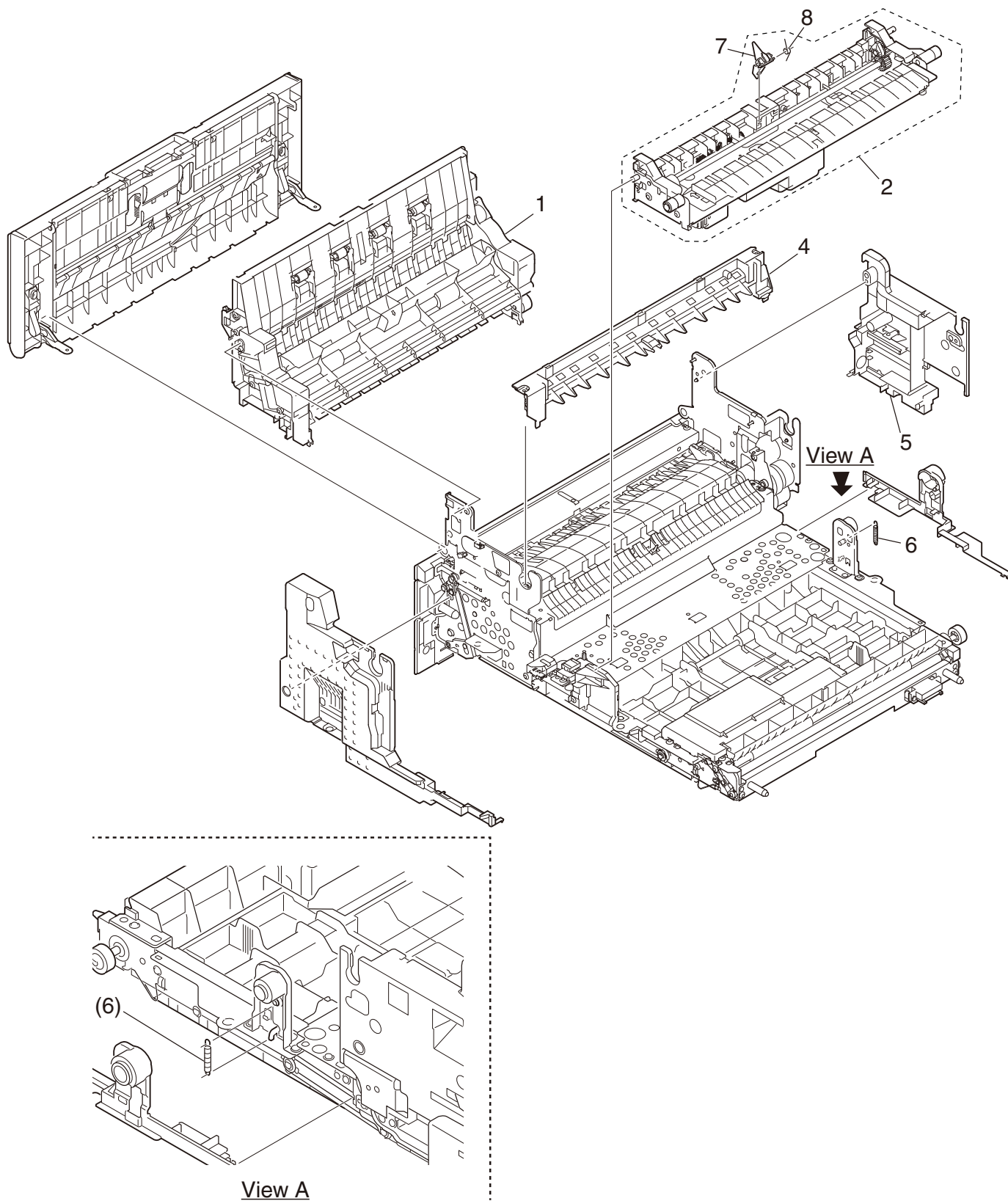
Unit Name	No.	Part Number	Part Name	Q'ty /Unit	Recommended Q'ty/Year			Remarks
					per 500	per 1000	per 2000	
Box-Mian-PCB-Assy	1	45554301	D04R-24TH68B(EX)	1	1	2	4	

Plate-Assy-Side-RA



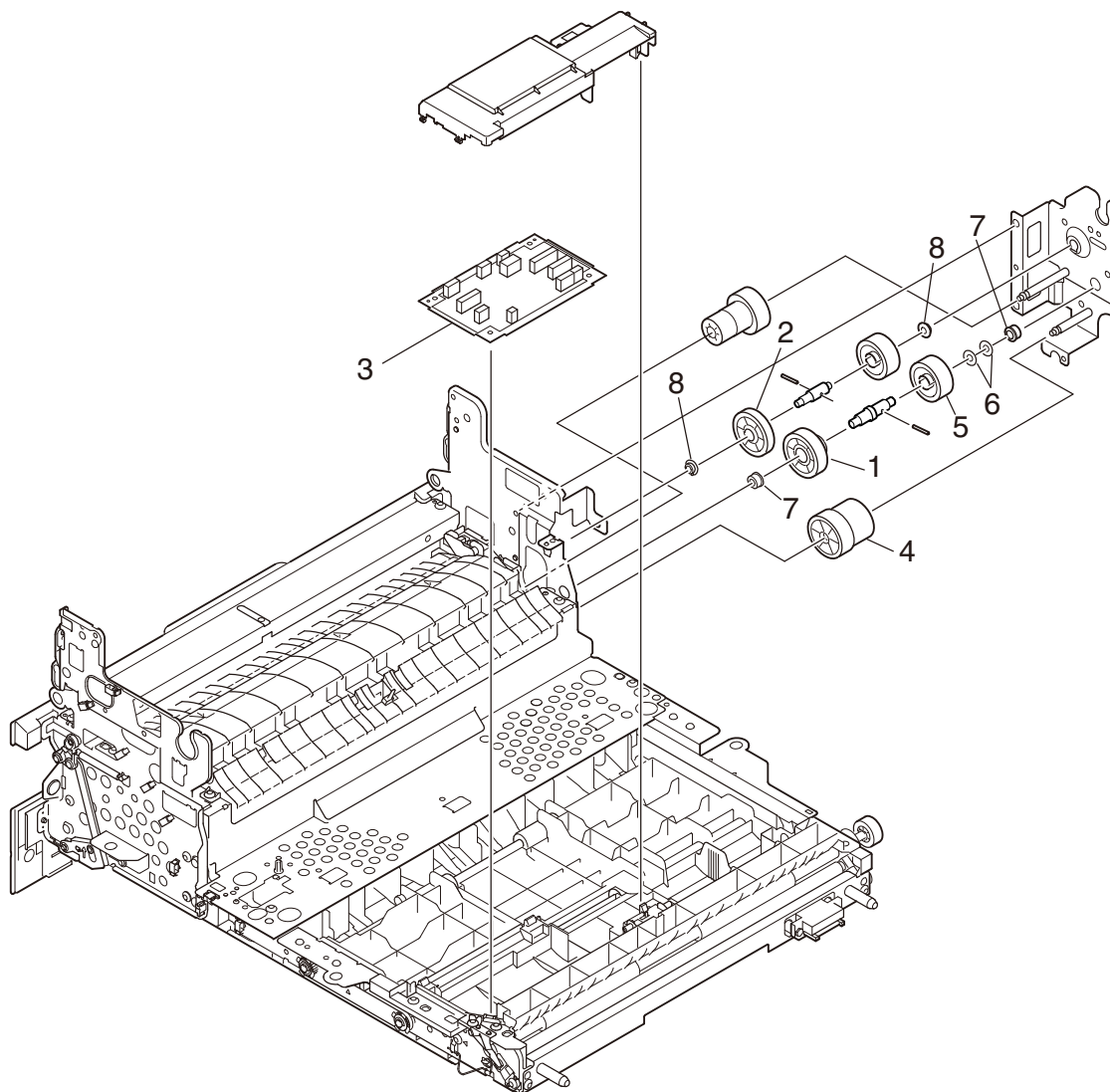
Unit Name	No.	Part Number	Part Name	Q'ty /Unit	Recommended Q'ty/Year			Remarks
					per 500	per 1000	per 2000	
Plate-Assy-Side-RA	1	45169301	OR-MFH	1	1	2	4	

EJ-Rail-Assy



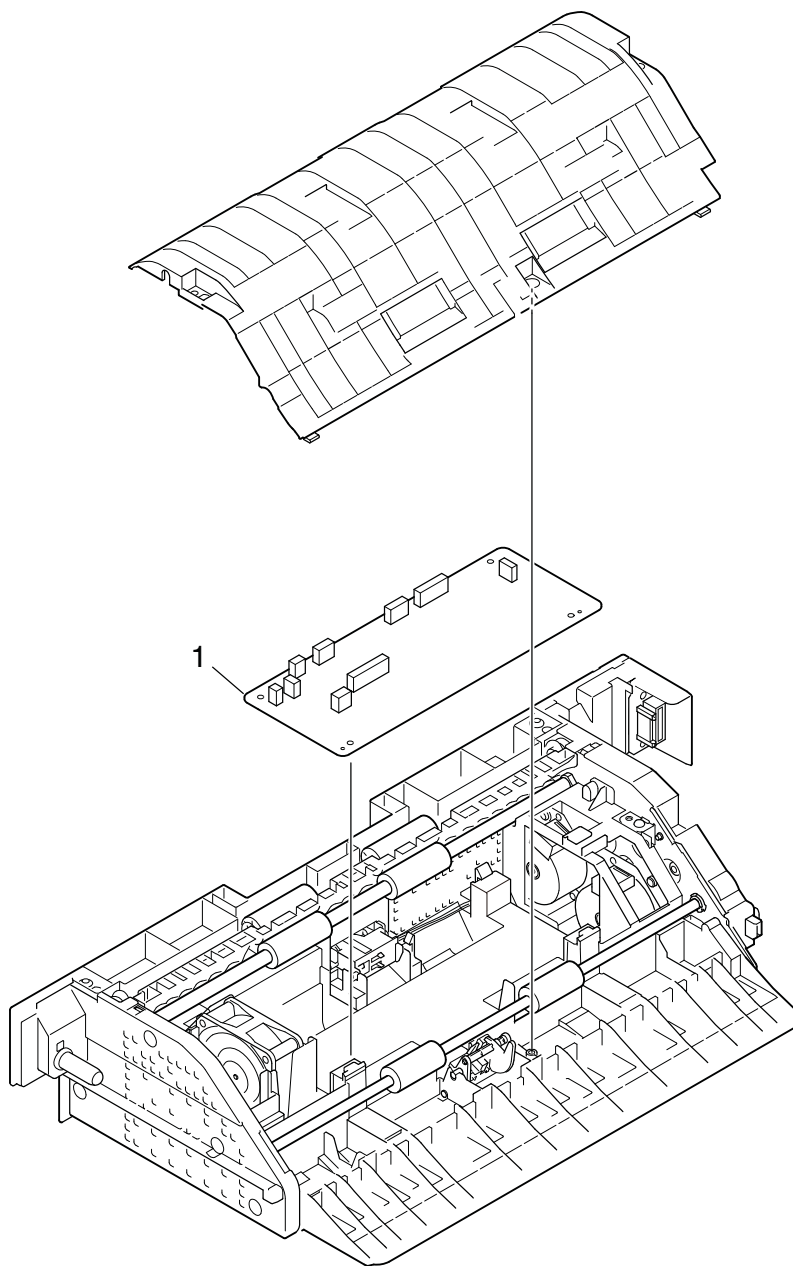
Unit Name	No.	Part Number	Part Name	Qty /Unit	Recommended Q'ty/Year			Remarks
					per 500	per 1000	per 2000	
EJ-Rail-Assy	1	45235202	Guide-Assy-Eject-Lower-SP	1	1	2	4	
EJ-Rail-Assy	2	45241101	Frame-Assy.-TR2	1	1	2	4	
EJ-Rail-Assy	4	45246501	Decurl-Assy	1	1	2	4	
EJ-Rail-Assy	5		Cover-Assy-LSD-RL	1	1	2	4	
EJ-Rail-Assy	6		Spring-Lever-TR2	1	1	2	4	
EJ-Rail-Assy	7	45241801	Lever-SNS-Slack	1	1	2	4	
EJ-Rail-Assy	8	45241901	Spring-Torsion-Slack	1	1	2	4	

LSD-Unit



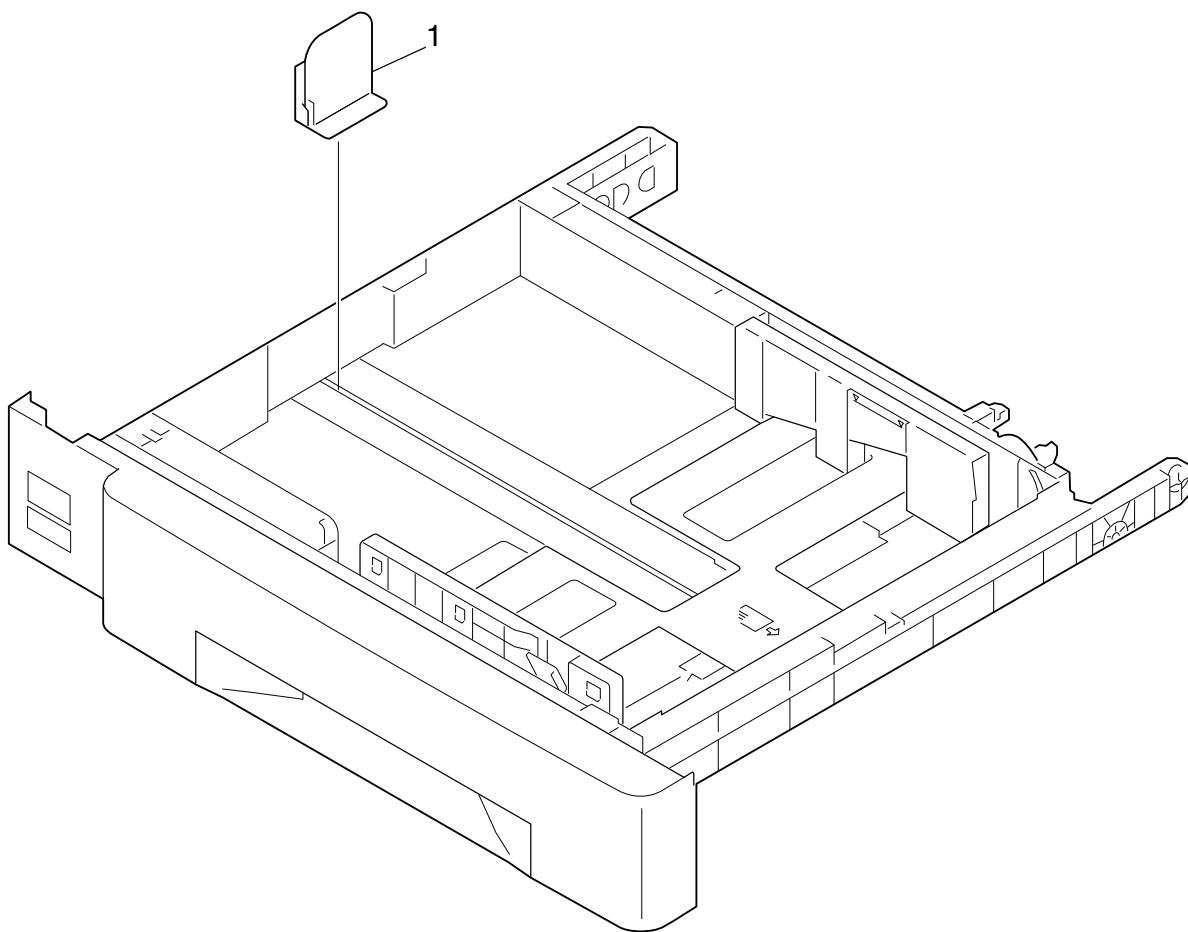
Unit Name	No.	Part Number	Part Name	Q'ty /Unit	Recommended Q'ty/Year			Remarks
					per 500	per 1000	per 2000	
LSD-Unit	1	45470301	Gear-Assy-Oneway-Z33	1	1	2	4	
LSD-Unit	2	45470401	Gear-Assy-Oneway-Z33-R	1	1	2	4	
LSD-Unit	3	45540501	OR-Board-F1L	1	1	2	4	
LSD-Unit	4		Gear-Recuct-Z21/32	1	1	2	4	
LSD-Unit	5	45714601	Gear-Sfaft-Z27-Fe	1	1	2	4	
LSD-Unit	6	40675417	Spacer-Coupling	2	2	4	8	
LSD-Unit	7		Bush-6	2	2	4	8	
LSD-Unit	8	41279301	Bearing-Regist L	2	2	4	8	

Duplex-Unit



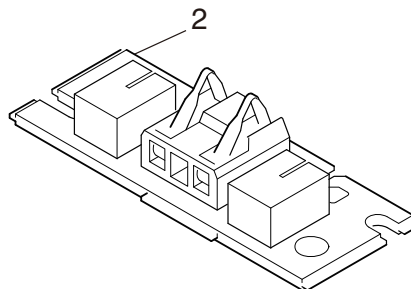
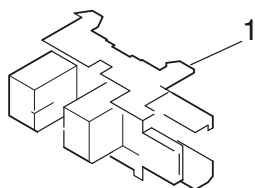
Unit Name	No.	Part Number	Part Name	Q'ty /Unit	Recommended Q'ty/Year			Remarks
					per 500	per 1000	per 2000	
Duplex-Unit	1	45700002	F1T-1 maintenance board	1	1	2	4	

Case-Cassette-Assy



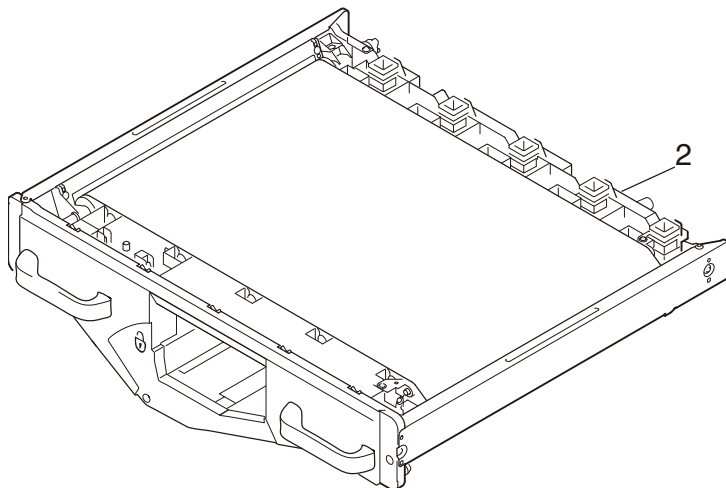
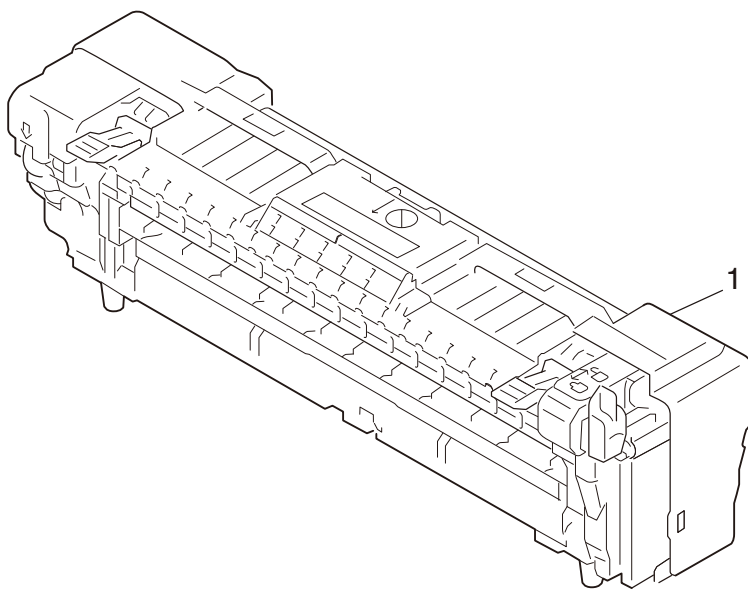
Unit Name	No.	Part Number	Part Name	Q'ty /Unit	Recommended Q'ty/Year			Remarks
					per 500	per 1000	per 2000	
Case-Cassette-Assy	1	42717003	Guide Assy.-Tail	1	1	2	4	

Common

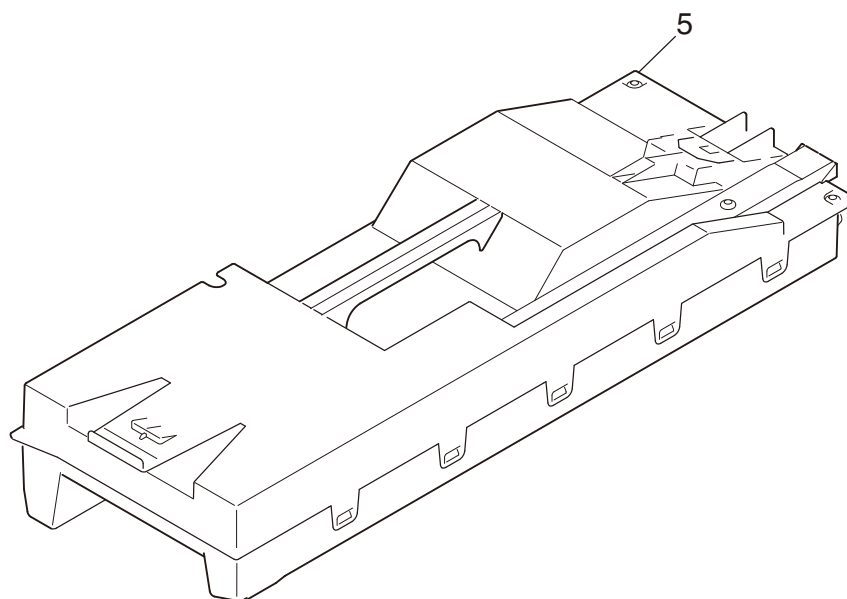
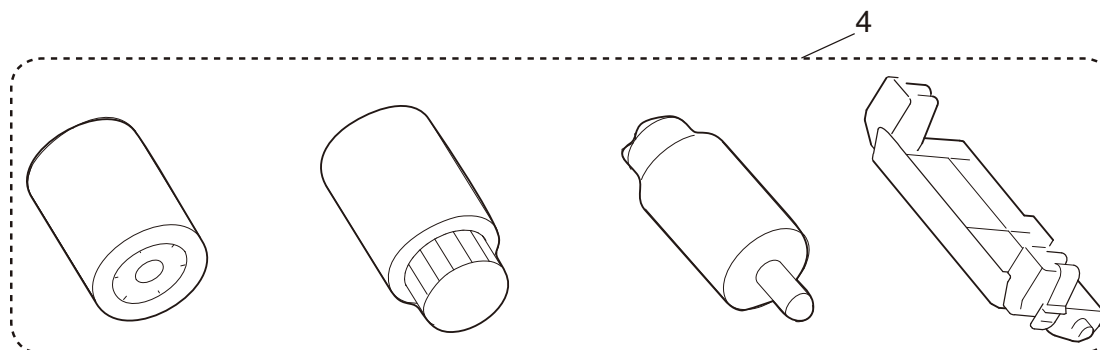
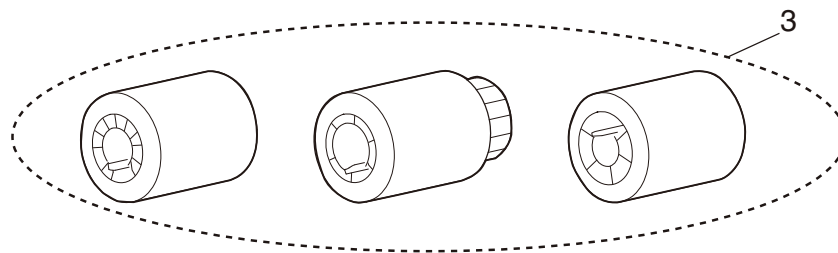


Unit Name	No.	Part Number	Part Name	Q'ty /Unit	Recommended Q'ty/Year			Remarks
					per 500	per 1000	per 2000	
Common	1	55631302	GP1A173LCS3F	28	5	10	20	
Common	2	45540601	OR-Board-F1G	12	5	10	20	

Consumable -1

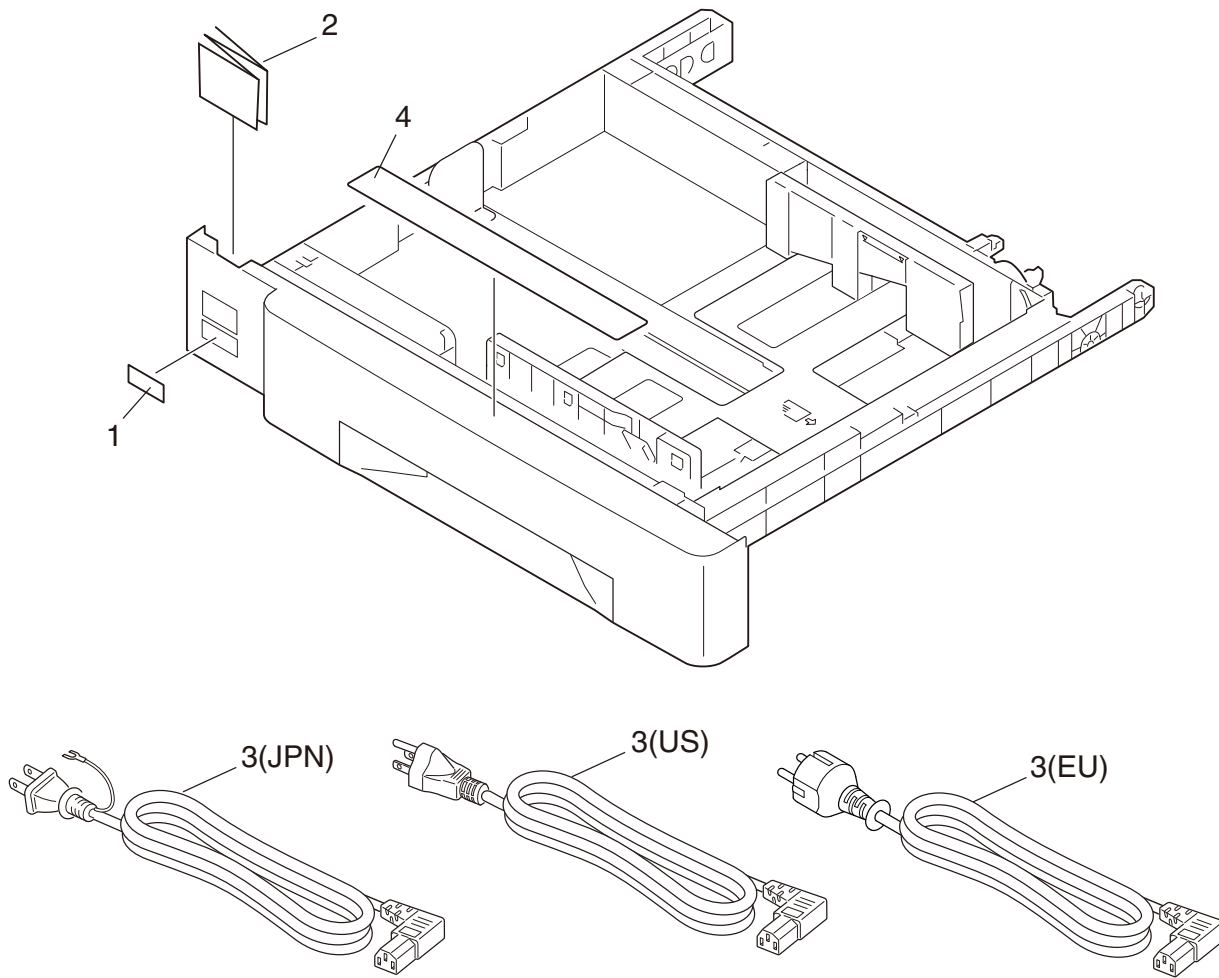


Consumable -2



Unit Name	No.	Part Number	Part Name	Q'ty /Unit	Recommended Q'ty/Year			Remarks
					per 500	per 1000	per 2000	
Consumable	1	45531112	Fuser-Unit--120V-Consumable	1	2	4	8	ODA/ODB
Consumable	1	45531113	Fuser-Unit--230V-Consumable	1	1	4	8	OEL/ODLA
Consumable	2	45531212	Belt-Unit-(ODA)	1	2	4	8	ODA/ODB/ODLA
Consumable	3		Roller-set-723	1	1	2	4	
Consumable	4		Roller-Set-MPT-753	1	1	2	4	
Consumable	5	45531502	Box-Waste-Toner-(ODA)	1	2	4	8	ODA/ODB/ODLA

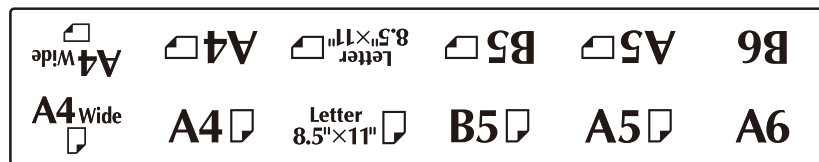
Appended parts



(1)



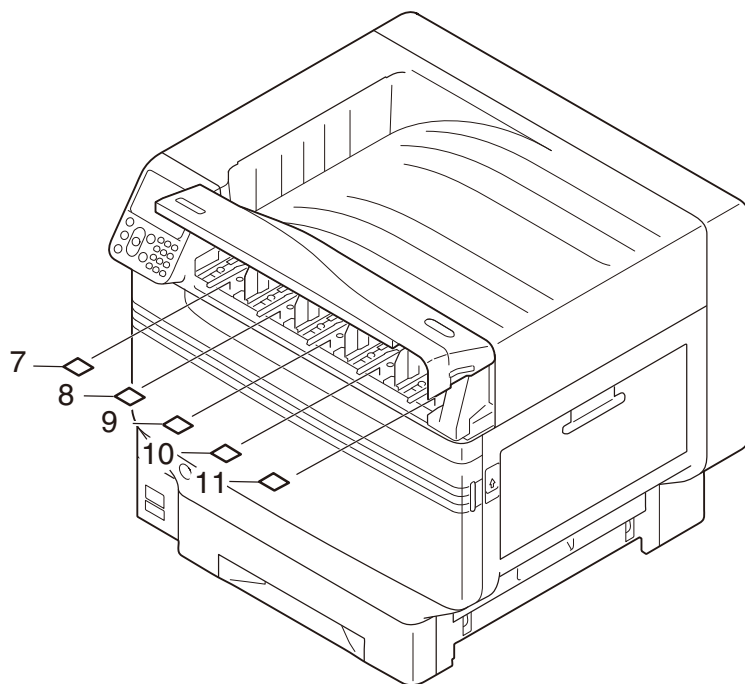
(2)



(4)

トレイ/用紙カセットをゆっくり閉めてください
 勢いよく閉めると用紙をガイドする部品が破損する場合があります

Labels-2 (only for C942)



(7)



(8)



(9)



(10)



(11)



Unit Name	No.	Part Number	Part Name	Q'ty /Unit	Recommended Q'ty/Year			Remarks
					per 500	per 1000	per 2000	
Appended parts	1		Label-Tray	1	1	2	4	
Appended parts	2	45560101	Indicator-Paper-Size	1	1	2	4	
Appended parts	3	45760401	Label-Caution-Duct	1	1	2	4	
Appended parts	3		CONN Cord-AC(US)	1	1	2	4	For ODA (120V)
Appended parts	3	45629301	CONN Cord-AC	1	1	2	4	For ODB
Appended parts	3	45659601	CONN Cord-AC	1	1	2	4	For ODLA
Labels	7	42886901	Label-A (Y)	1	1	2	4	
Labels	8	42886902	Label-A (M)	1	1	2	4	
Labels	9	42886903	Label-A (C)	1	1	2	4	
Labels	10	42886904	Label-A (K)	1	1	2	4	
Labels	11	42886905	Label-A (W)	1	1	2	4	