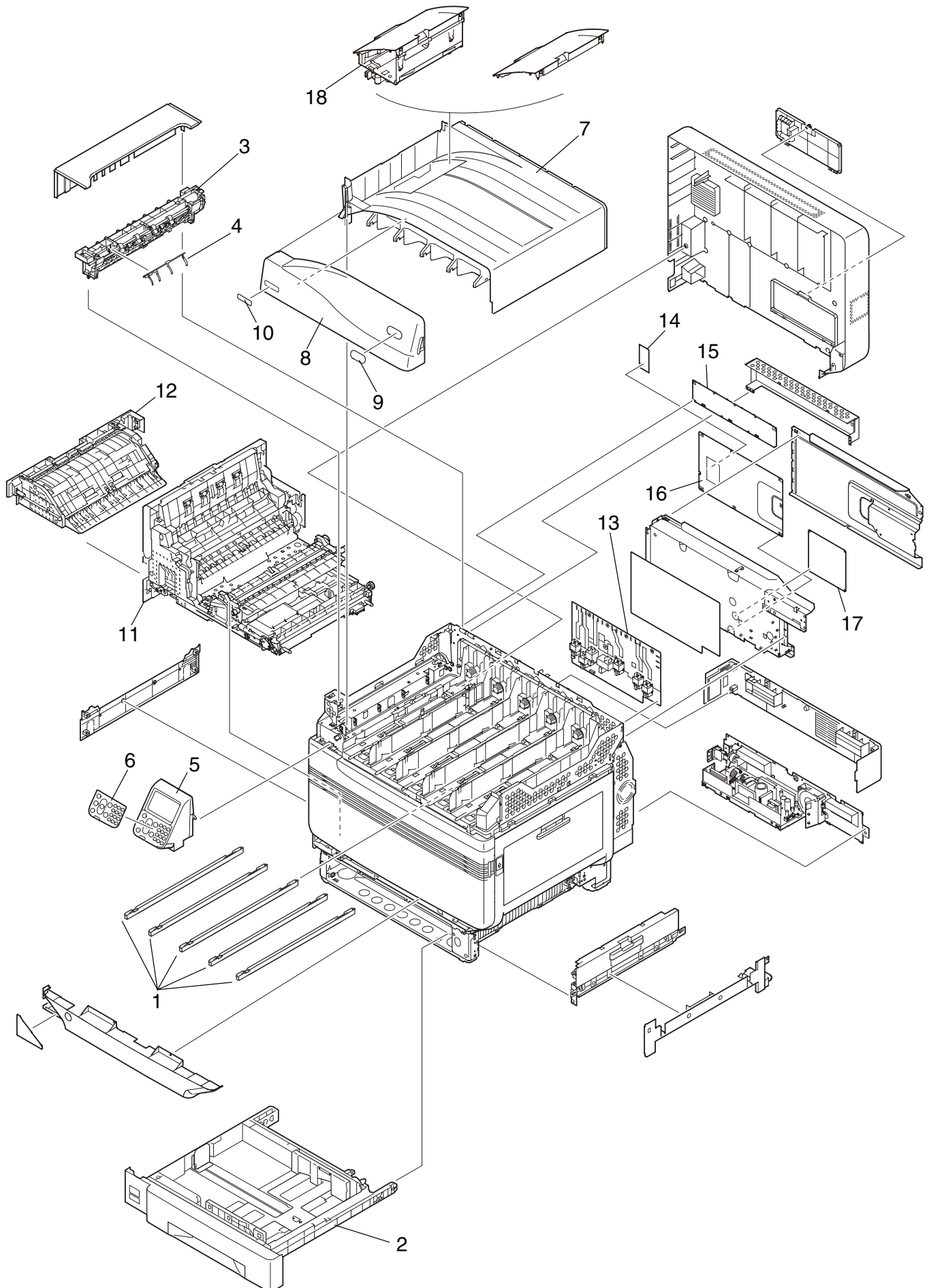


C911dn
C931dn / C931e / C931DP
C941 / C941e / C941DP
Illustrated Spare
Parts Manual

071315K

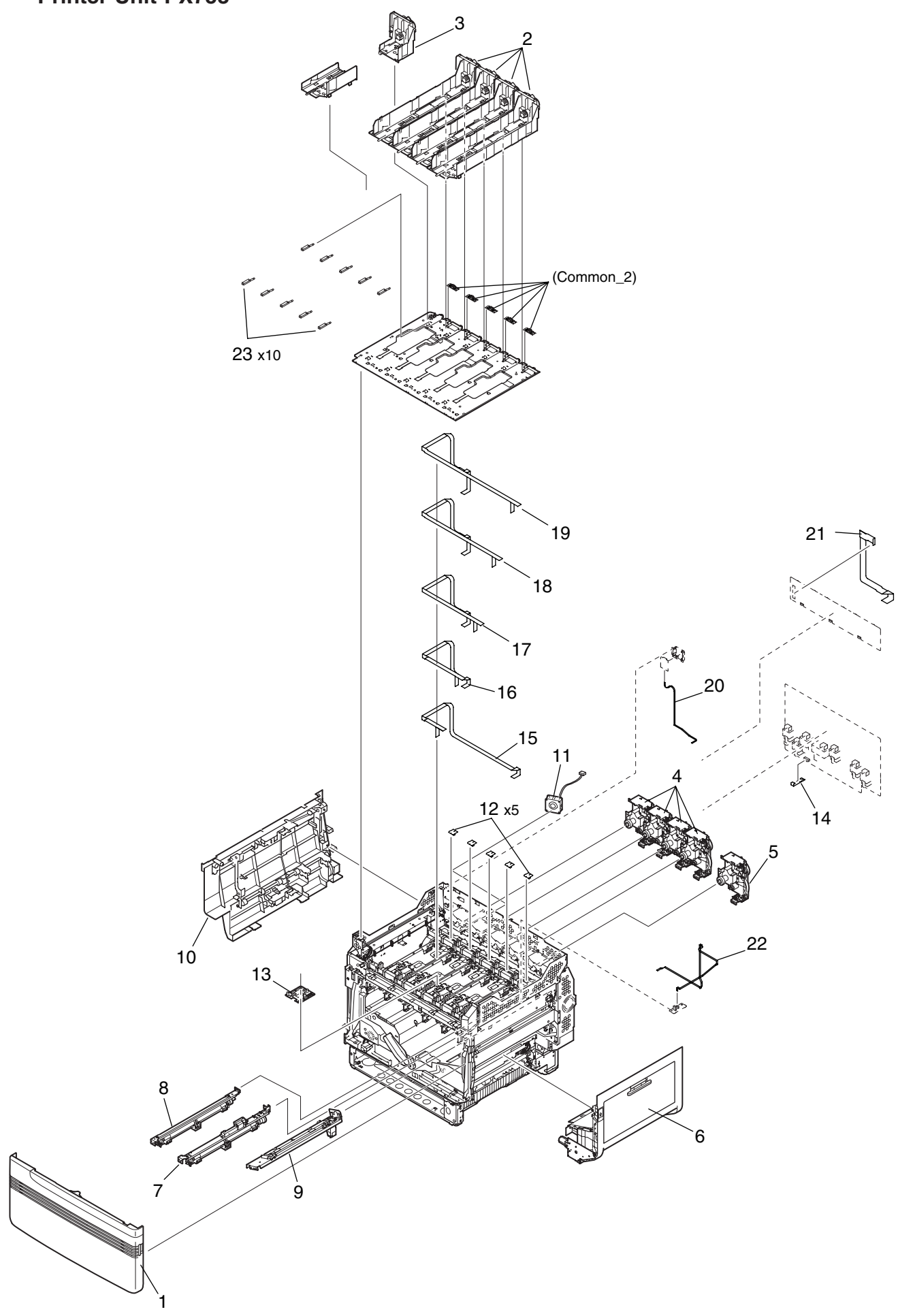
Printer-NIP



| No. | Part No. | Part Name | Q'ty /Unit | | | | Remarks |
|-----|----------|-------------------------|------------------------|-----|------|------|--------------------------------|
| | | | Recommended Qty / Year | | | | |
| | | | 1 | 500 | 1000 | 2000 | |
| 1 | 45538601 | LED Head Unit-63TRL | 5 | 5 | 10 | 20 | Only 4 Heads for C911 / C931 |
| 2 | 45180401 | Cassette Assy. | 1 | 1 | 2 | 4 | |
| 3 | 45238101 | Eject-Assy-Joboff | 1 | 1 | 2 | 4 | |
| 4 | 45241001 | Lever-Stacker-Full | 1 | 1 | 2 | 4 | |
| 5 | 45247201 | Cover-Assy-OP-Panel | 1 | 1 | 2 | 4 | |
| 6 | 45247901 | Sheet-OP-Panel | 1 | 1 | 2 | 4 | For OEL ODA |
| 7 | | Cover-Assy-Top-B | 1 | 1 | 2 | 4 | |
| 8 | | Cover Assy-TC | 1 | 1 | 2 | 4 | |
| 9 | | Plate-Logo | 1 | 1 | 2 | 4 | |
| 10 | | Plate-Name | 1 | 1 | 2 | 4 | C911 |
| 10 | | Plate-Name | 1 | 1 | 2 | 4 | C931 |
| 10 | | Plate-Name | 1 | 1 | 2 | 4 | C941 |
| 11 | | EJ-Rail-Unit | 1 | 1 | 2 | 4 | For 100V |
| 11 | | EJ-Rail-Unit | 1 | 1 | 2 | 4 | For 230V |
| 12 | 45286301 | Duplex-Unit | 1 | 1 | 2 | 4 | Common for 4 color and 5 color |
| 13 | 45392601 | OR-Board-AHV-5 colors | 1 | 1 | 2 | 4 | For 5 color |
| 13 | 45392602 | OR-Board-AHV-4 colors | 1 | 1 | 2 | 4 | For 4 color |
| 14 | | Board-Memory DDR3 2GB | 1 | 1 | 2 | 4 | |
| 14 | | SMD-N2G68CA1P-16K | 1 | 1 | 2 | 4 | |
| 15 | 45642402 | F1D-1 maintenance board | 1 | 1 | 2 | 4 | For 5 color |
| 15 | 45642403 | F1D-2 maintenance board | 1 | 1 | 2 | 4 | For 4 color |
| 16 | 45623706 | maintenance board | 1 | 1 | 2 | 4 | C911-ODA |
| 16 | 45623707 | maintenance board | 1 | 1 | 2 | 4 | C931-ODA |
| 16 | 45623708 | maintenance board | 1 | 1 | 2 | 4 | C941-ODA |
| 16 | | maintenance board | 1 | 1 | 2 | 4 | C911-ODLA |
| 16 | | maintenance board | 1 | 1 | 2 | 4 | C931-ODLA |
| 16 | | maintenance board | 1 | 1 | 2 | 4 | C941-ODLA |
| 16 | 45623712 | maintenance board | 1 | 1 | 2 | 4 | C911-ODB |
| 16 | 45623713 | maintenance board | 1 | 1 | 2 | 4 | C931-ODB |
| 16 | 45623714 | maintenance board | 1 | 1 | 2 | 4 | C941-ODB |
| 17 | 45539901 | OR-Board-F1X | 1 | 1 | 2 | 4 | For 5 color only |

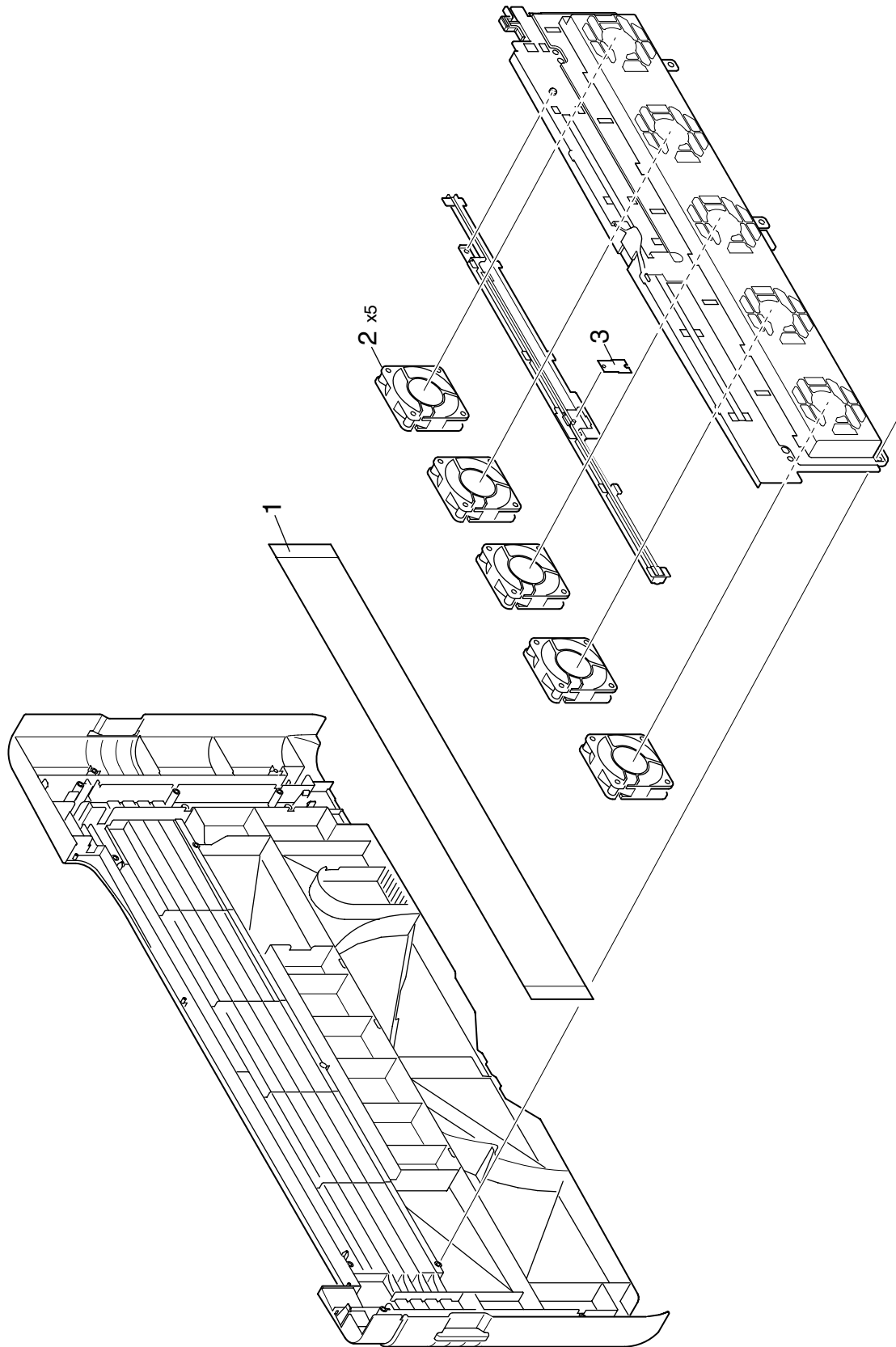
| No. | Part No. | Part Name | Q'ty /Unit | | | | Remarks |
|-----|----------|------------------------------|------------------------|-----|------|------|--|
| | | | Recommended Qty / Year | | | | |
| | | | 1 | 500 | 1000 | 2000 | |
| 18 | 45519801 | Frame-Assy-TC-A (White Duct) | 1 | 1 | 2 | 4 | Duct assembly for White Toner C941 only |
| 18 | 45519802 | Frame-Assy-TC-A (Clear Duct) | 1 | 1 | 2 | 4 | Duct assembly for Clear Toner C941 only |

Printer-Unit-PX753



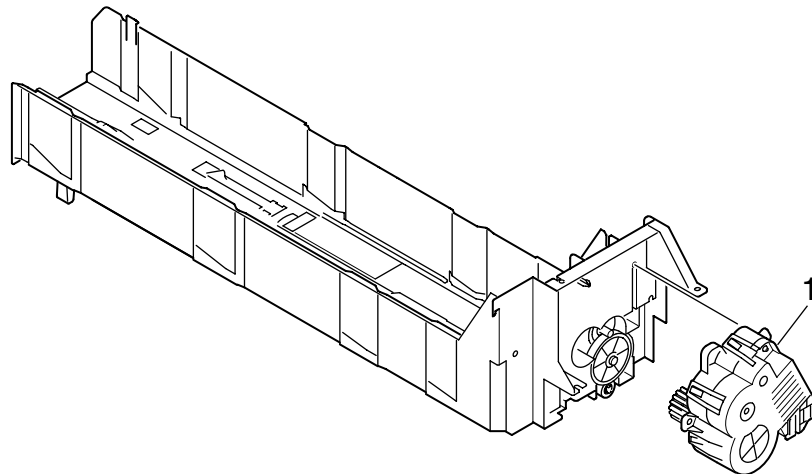
| Unit Name | No. | Part No. | Part Name | Q'ty /Unit | | | | Remarks |
|--------------------|-----|----------|------------------------|------------------------|-----|------|------|---|
| | | | | Recommended Qty / Year | | | | |
| | | | | 1 | 500 | 1000 | 2000 | |
| Printer-Unit-PX753 | 1 | | Cover Assy.-Front | 4 | 1 | 2 | 4 | |
| Printer-Unit-PX753 | 2 | | Frame Assy.-TC | 1 | 1 | 2 | 4 | |
| Printer-Unit-PX753 | 3 | | Frame-Assy.-TC-R | 4 | 1 | 2 | 4 | |
| Printer-Unit-PX753 | 4 | 45207401 | Motor-Assy-ID | 1 | 1 | 2 | 4 | |
| Printer-Unit-PX753 | 5 | 45207402 | Motor-Assy-ID(K) | 1 | 1 | 2 | 4 | |
| Printer-Unit-PX753 | 6 | 45218901 | MPT-Unit | 1 | 1 | 2 | 4 | |
| Printer-Unit-PX753 | 7 | 45228601 | Roller-Assy-Regist-2 | 1 | 1 | 2 | 4 | |
| Printer-Unit-PX753 | 8 | 45230601 | Roller-Assy-Synchro | 1 | 1 | 2 | 4 | |
| Printer-Unit-PX753 | 9 | 45231901 | Regist-Sensor-Assy_753 | 1 | 1 | 2 | 4 | |
| Printer-Unit-PX753 | 10 | 45233601 | Guide-Assy-Eject-M | 1 | 1 | 2 | 4 | For 4 color |
| Printer-Unit-PX753 | 10 | 45233602 | Guide-Assy-Eject-M-SP | 1 | 1 | 2 | 4 | For 5 color |
| Printer-Unit-PX753 | 11 | 45516801 | Moto-FAN(60) | 5 | 1 | 2 | 4 | |
| Printer-Unit-PX753 | 12 | 45540101 | OR-Board-F1N | 1 | 1 | 2 | 4 | |
| Printer-Unit-PX753 | 13 | 45540201 | OR-Board-F1H | 1 | 1 | 2 | 4 | |
| Printer-Unit-PX753 | 14 | | SMCD-13-100BD(1.0) | 1 | 1 | 2 | 4 | |
| Printer-Unit-PX753 | 15 | 56647001 | SML2SC31-953BL0.5ALZ | 1 | 1 | 2 | 4 | Spot Color LED Head Cable - For 5 Color Only |
| Printer-Unit-PX753 | 16 | 56647002 | SML2SC31-773BL0.5ALZ | 1 | 1 | 2 | 4 | Yellow LED Head Cable |
| Printer-Unit-PX753 | 17 | 56647003 | SML2SC31-903BL0.5ALZ | 1 | 1 | 2 | 4 | Magenta LED Head Cable |
| Printer-Unit-PX753 | 18 | 56647004 | SML2SC31-1037BL0.5AL | 1 | 1 | 2 | 4 | Cyan LED Head Cable |
| Printer-Unit-PX753 | 19 | 56647005 | SML2SC31-1170BL0.5AL | 1 | 1 | 2 | 4 | Black LED Head Cable |
| Printer-Unit-PX753 | 20 | | 20624FWR1.0-5-405 | 1 | 1 | 2 | 4 | |
| Printer-Unit-PX753 | 21 | | 20624FWR1.0-30-555 | 1 | 1 | 2 | 4 | |
| Printer-Unit-PX753 | 22 | | 20624FWR1.0-6-920 | 10 | 1 | 2 | 4 | |
| Printer-Unit-PX753 | 23 | | Plate-Fix-Pivot | 1 | 2 | 4 | 8 | |

Cover-Assy-Front



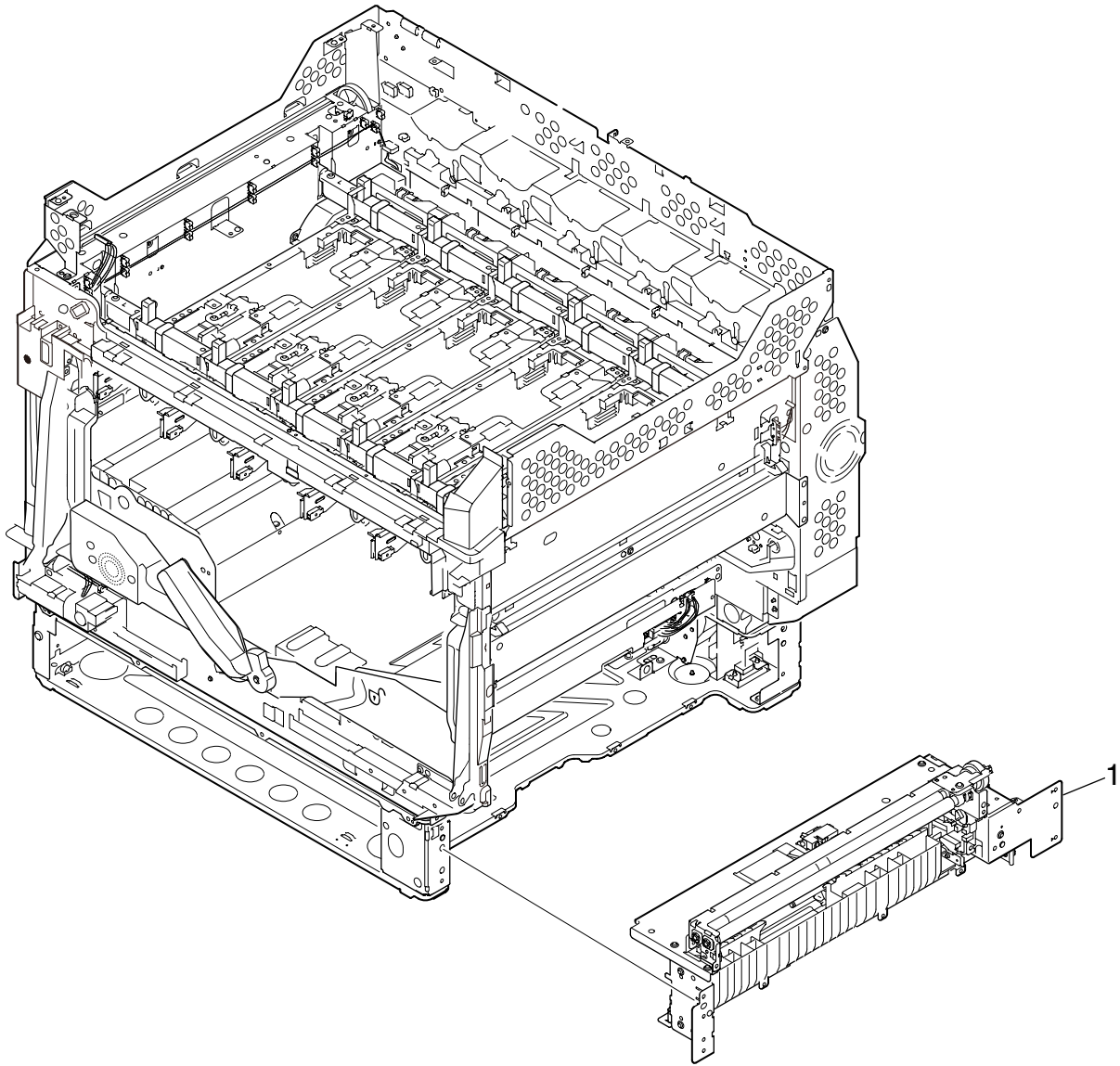
| No. | Part No. | Part Name | Q'ty /Unit | | | | Remarks |
|-----|----------|------------------|------------------------|-----|------|------|---------|
| | | | Recommended Qty / Year | | | | |
| | | | 1 | 500 | 1000 | 2000 | |
| 1 | 45512901 | Filter-Front | 1 | 1 | 2 | 4 | |
| 2 | 45516301 | Motor-FAN(60-15) | 1 | 1 | 2 | 4 | |
| 3 | 45541001 | OR-Board-F1E | 1 | 1 | 2 | 4 | |

Frame-Assy-TC



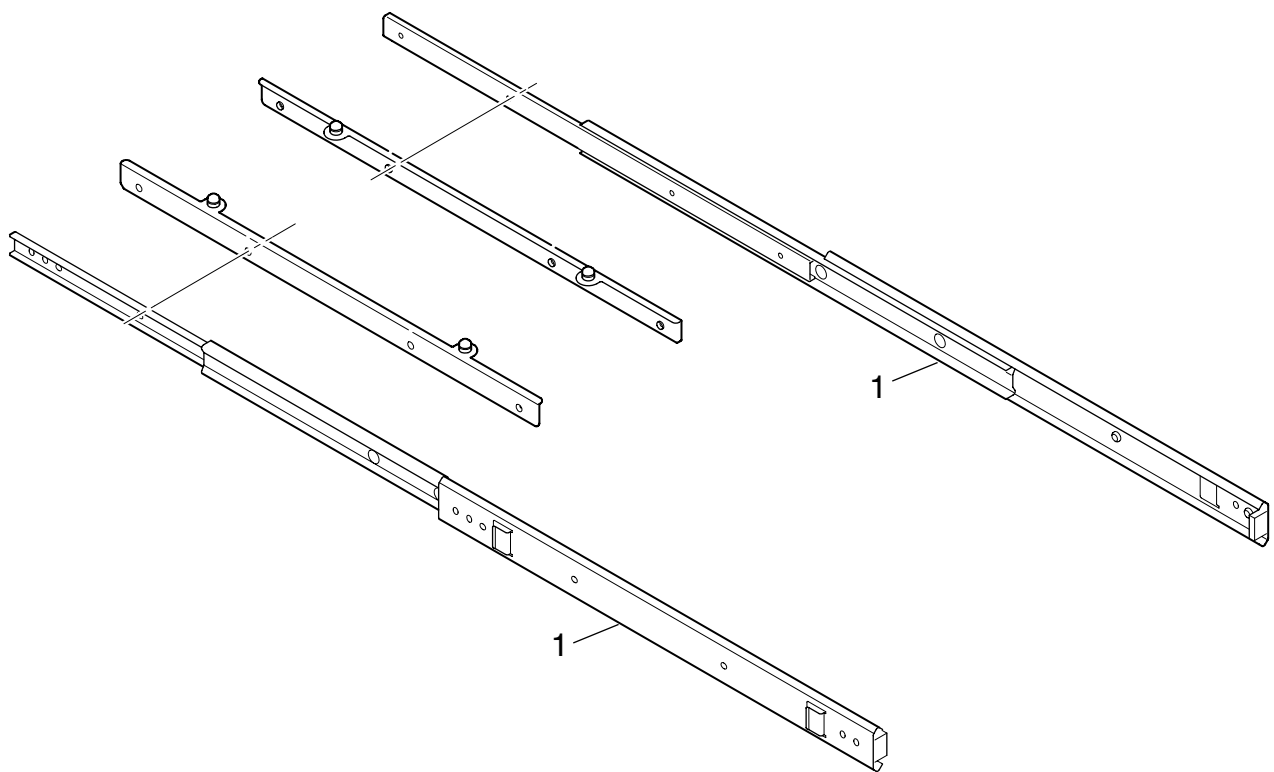
| No. | Part No. | Part Name | Q'ty /Unit | | | | Remarks |
|-----|----------|------------------|------------------------|-----|------|------|---------|
| | | | Recommended Qty / Year | | | | |
| | | | 1 | 500 | 1000 | 2000 | |
| 1 | 45171801 | Motor-Assy-Geard | 1 | 1 | 2 | 4 | |

Main-Frame-Assy



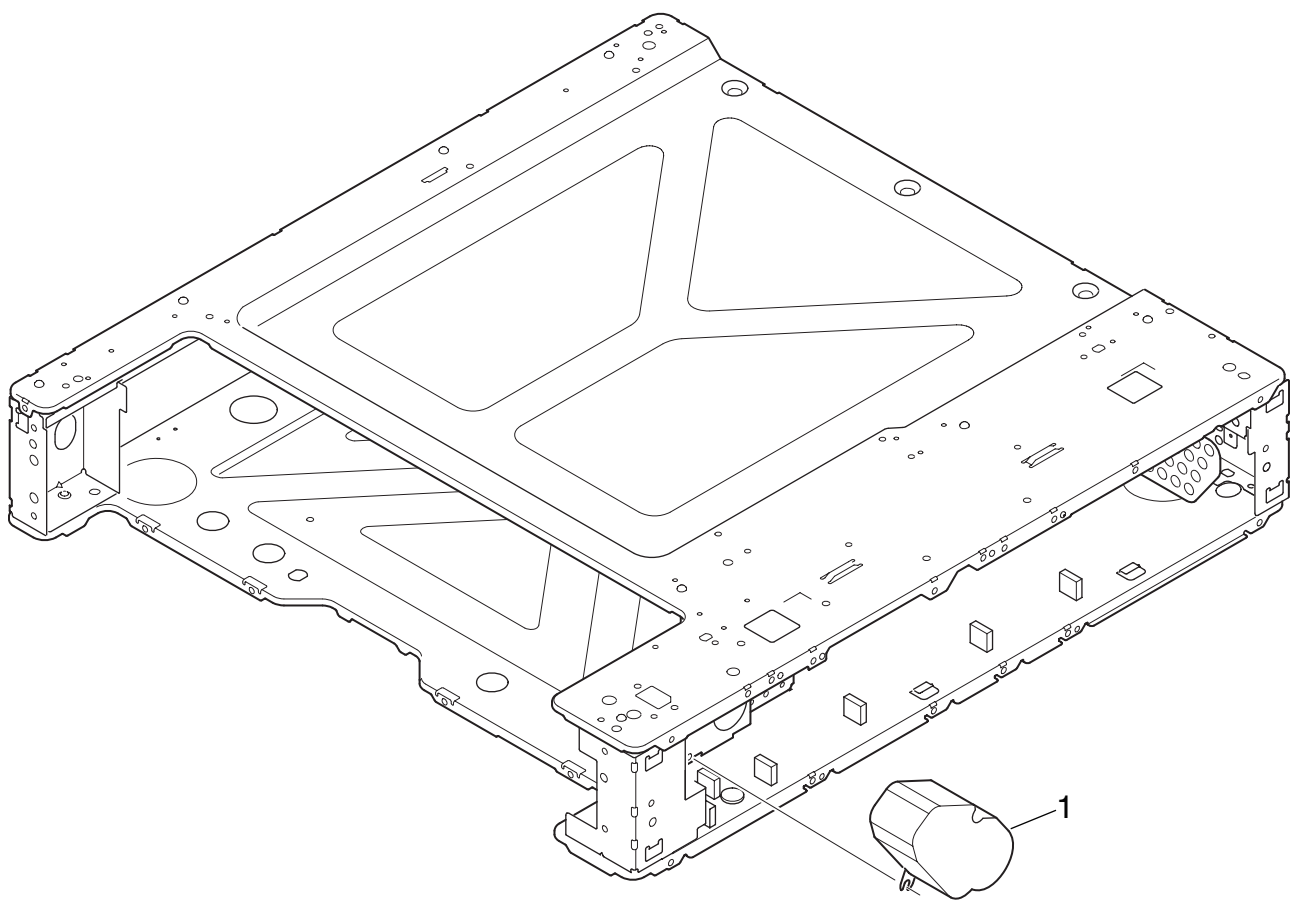
| No. | Part No. | Part Name | Q'ty /Unit | | | | Remarks |
|-----|----------|--------------|------------------------|-----|------|------|---------|
| | | | Recommended Qty / Year | | | | |
| | | | 1 | 500 | 1000 | 2000 | |
| 1 | 45173501 | Hopping-Unit | 2 | 1 | 2 | 4 | |

Slide-Rail-Assy-L/R



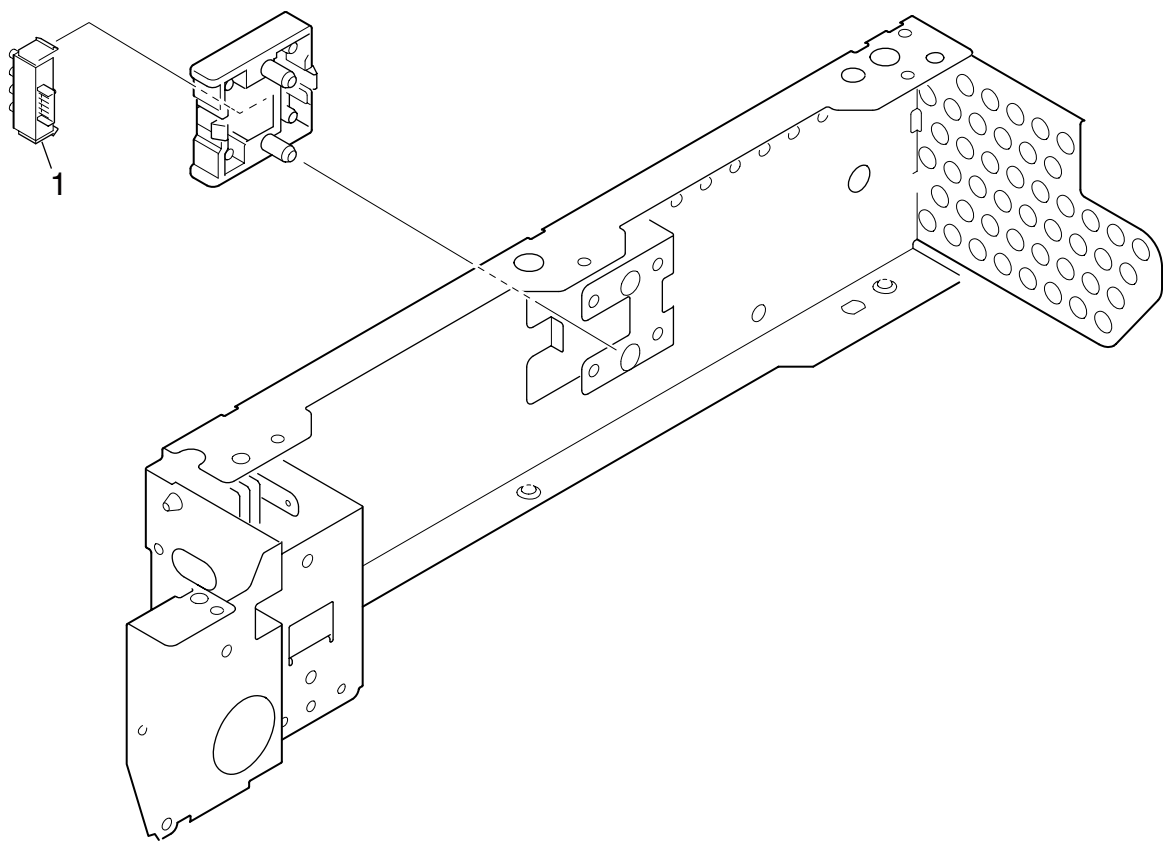
| No. | Part No. | Part Name | Q'ty /Unit | | | | Remarks |
|-----|----------|------------|------------------------|-----|------|------|---------|
| | | | Recommended Qty / Year | | | | |
| | | | 1 | 500 | 1000 | 2000 | |
| 1 | | Slide-Rail | 1 | 1 | 2 | 4 | |

Plate-Base-Assy



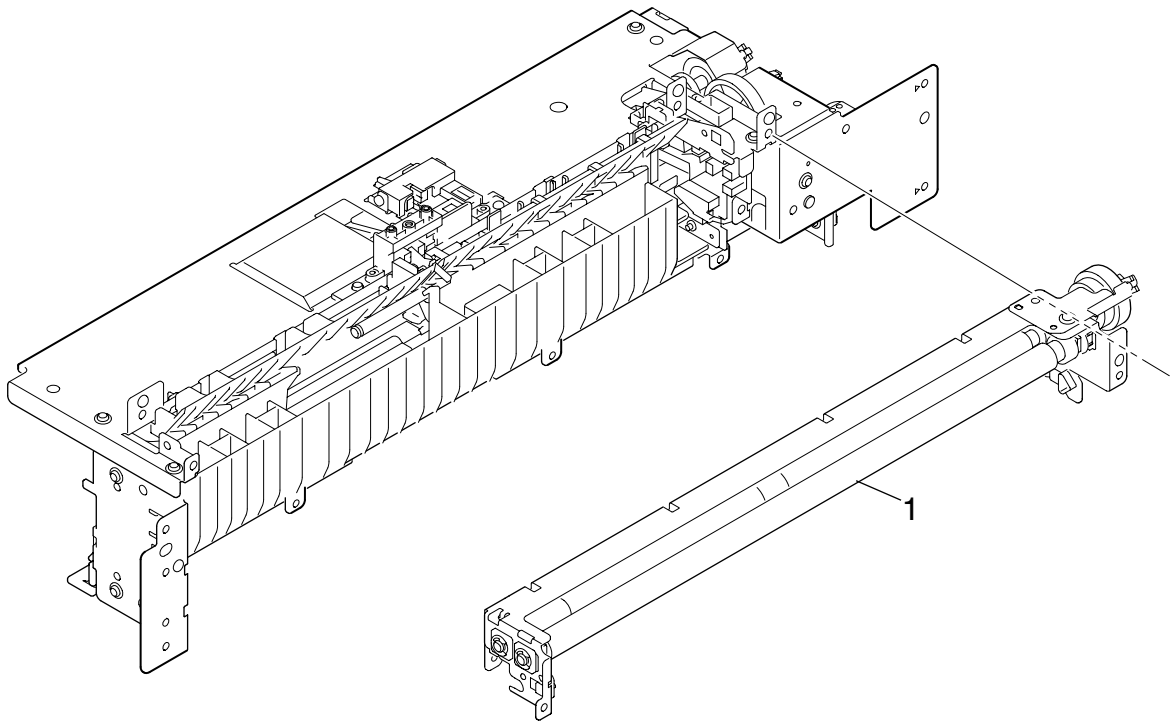
| No. | Part No. | Part Name | Q'ty /Unit | | | | Remarks |
|-----|----------|-----------------------|------------------------|-----|------|------|---------|
| | | | Recommended Qty / Year | | | | |
| | | | 1 | 500 | 1000 | 2000 | |
| 1 | 42694602 | Geard-Motor(Optional) | 1 | 1 | 2 | 4 | |

PS-Sensor-Assy



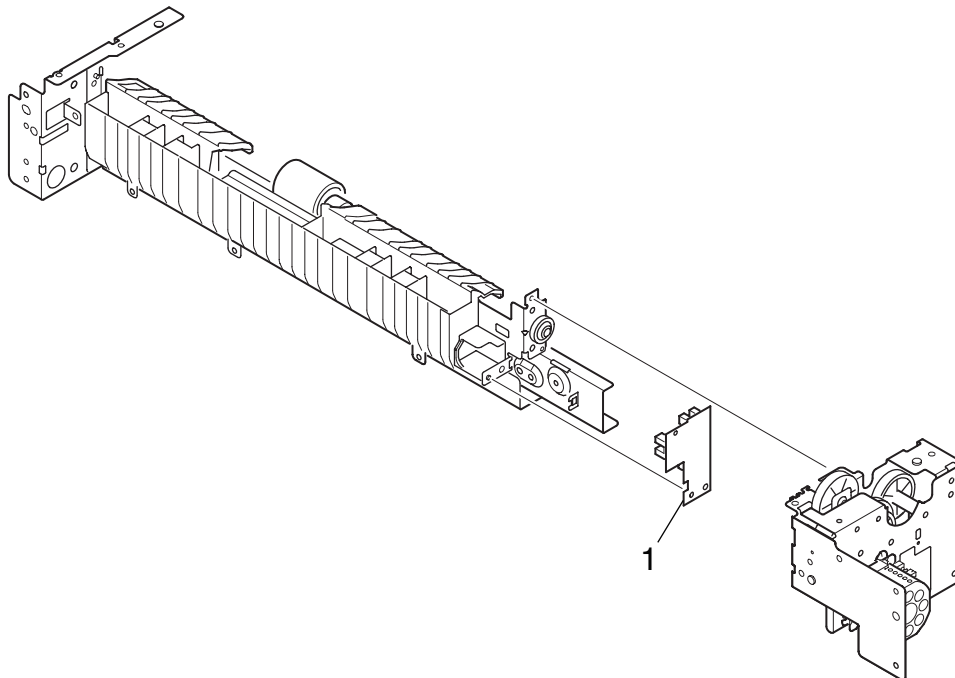
| No. | Part No. | Part Name | Q'ty /Unit | | | | Remarks |
|-----|----------|-----------|------------------------|-----|------|------|---------|
| | | | Recommended Qty / Year | | | | |
| | | | 1 | 500 | 1000 | 2000 | |
| 1 | | HS12-0010 | 1 | 1 | 2 | 4 | |

Hopping-Unit



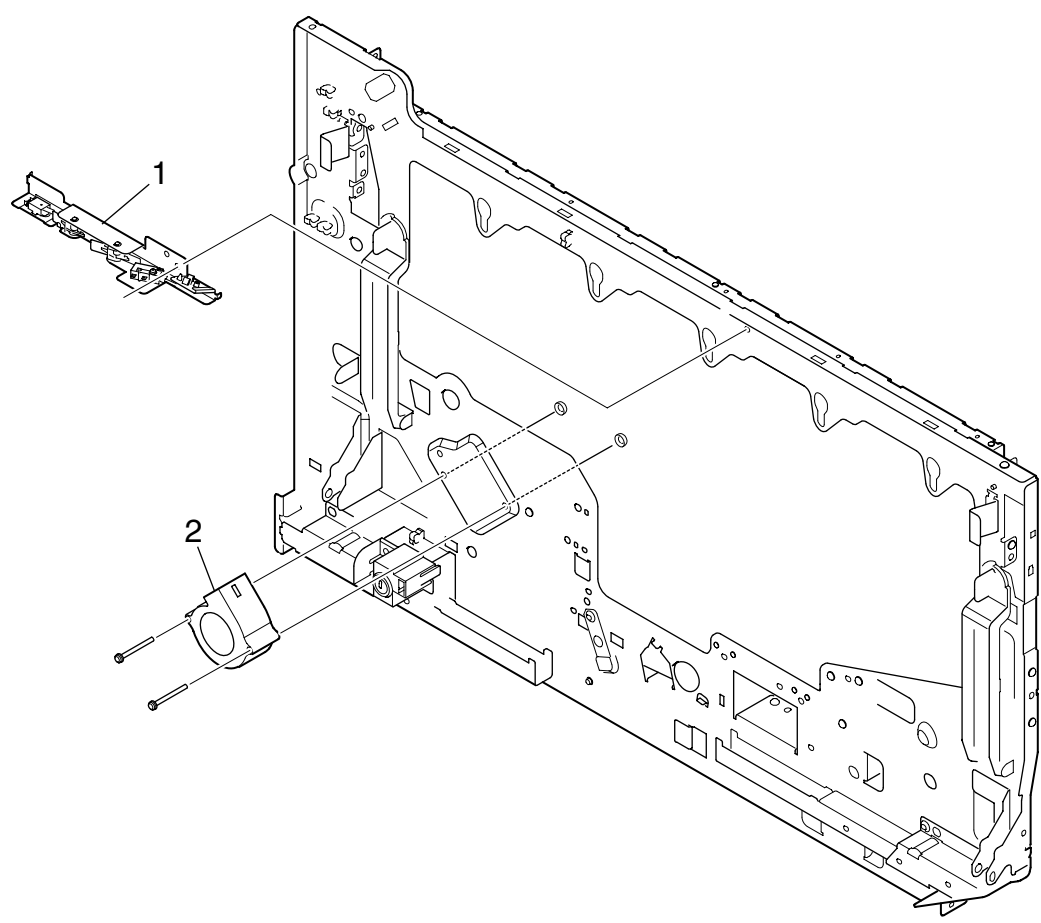
| No. | Part No. | Part Name | Q'ty /Unit | | | | Remarks |
|-----|----------|----------------------|------------------------|-----|------|------|---------|
| | | | Recommended Qty / Year | | | | |
| | | | 1 | 500 | 1000 | 2000 | |
| 1 | 45177801 | Roller-Assy-Regist-T | 1 | 1 | 2 | 4 | |

Plate-Assy-Retard



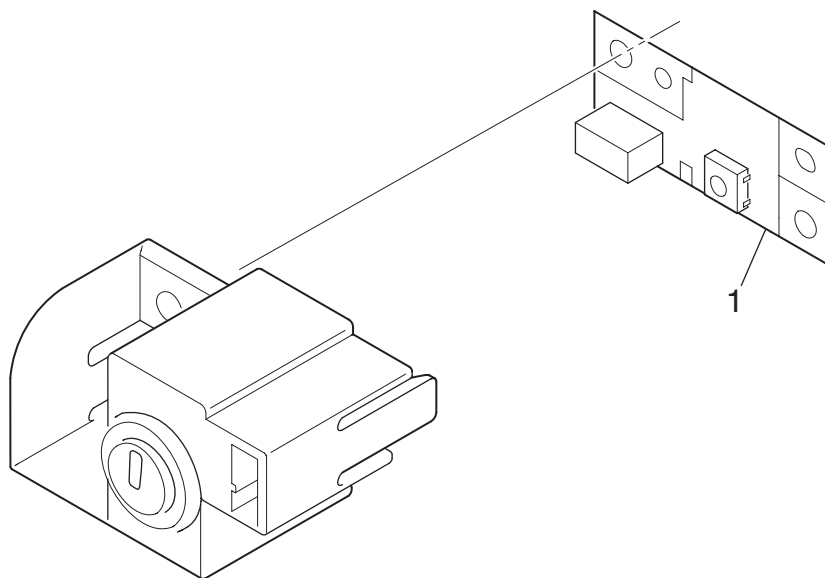
| No. | Part No. | Part Name | Q'ty /Unit | | | | Remarks |
|-----|----------|--------------|------------------------|-----|------|------|---------|
| | | | Recommended Qty / Year | | | | |
| | | | 1 | 500 | 1000 | 2000 | |
| 1 | 45540401 | OR-Board-F1K | 1 | 1 | 2 | 4 | |

Plate-Assy-Front



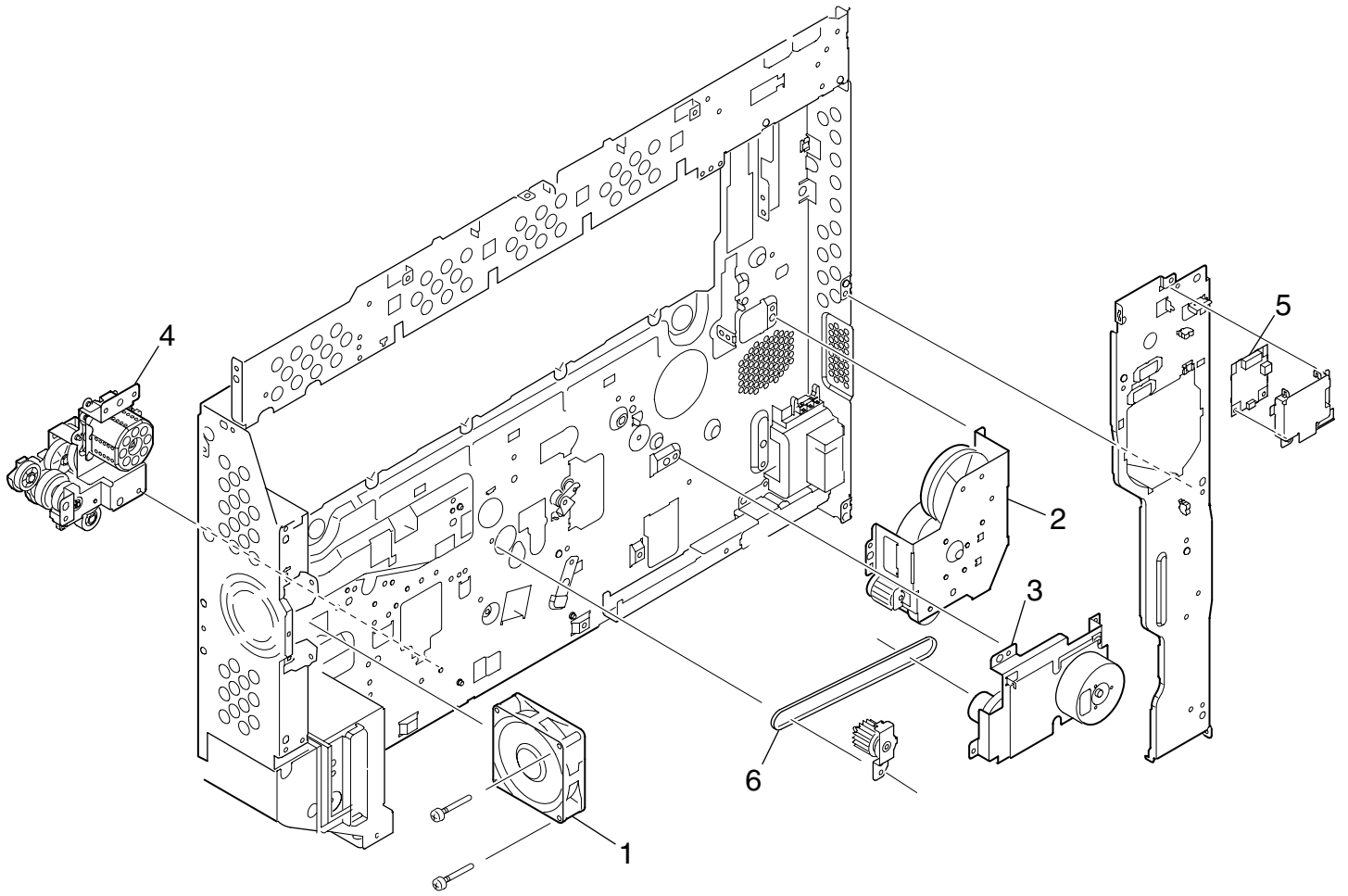
| No. | Part No. | Part Name | Q'ty /Unit | | | | Remarks |
|-----|----------|-------------------|------------------------|-----|------|------|---------|
| | | | Recommended Qty / Year | | | | |
| | | | 1 | 500 | 1000 | 2000 | |
| 1 | 45188301 | Sensor-Assy-Front | 1 | 1 | 2 | 4 | |
| 2 | 45552101 | Motor-FAN | 1 | 1 | 2 | 4 | |

Holder-Assy-soft SW



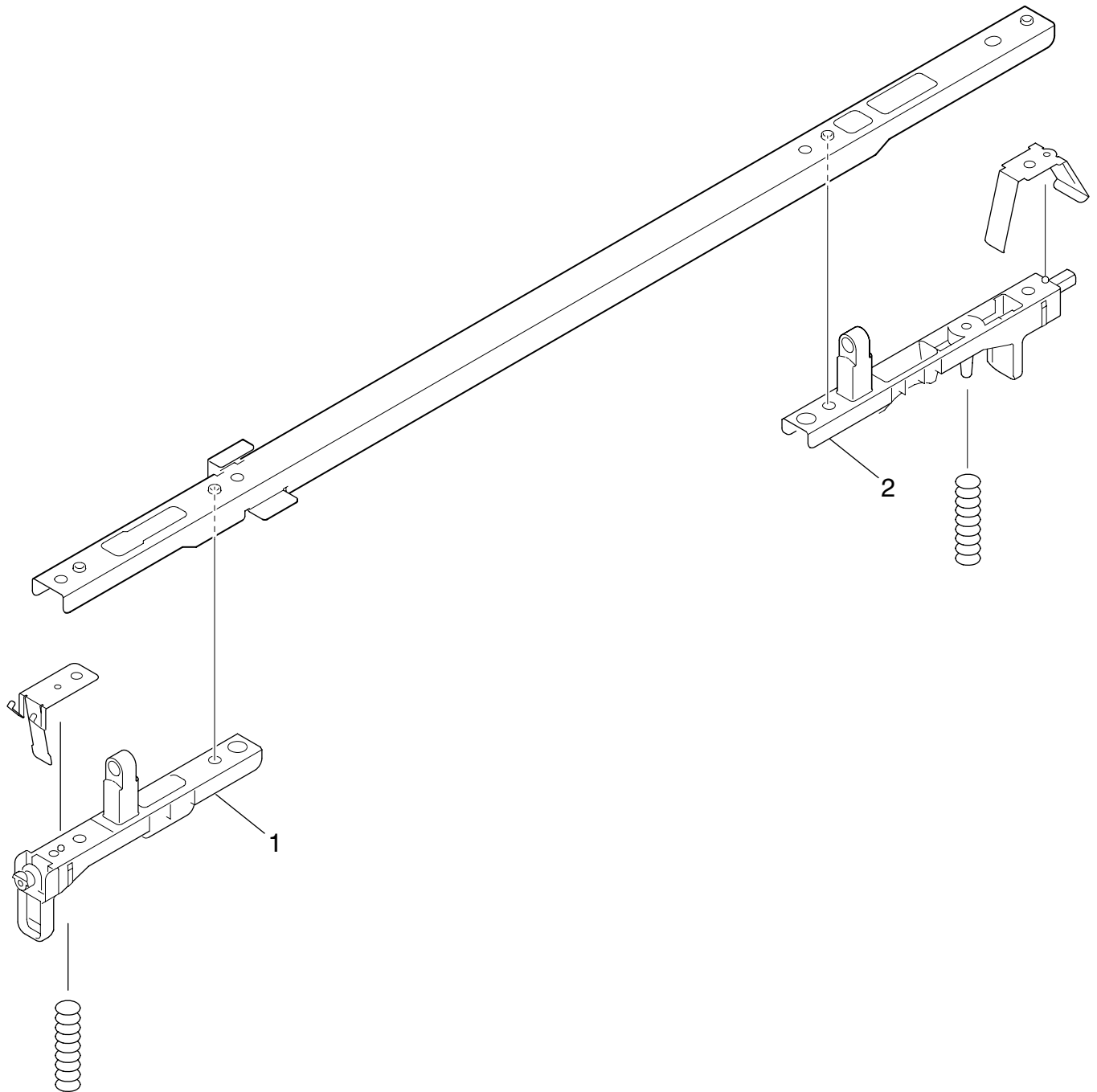
| No. | Part No. | Part Name | Q'ty /Unit | | | | Remarks |
|-----|----------|--------------|------------------------|-----|------|------|---------|
| | | | Recommended Qty / Year | | | | |
| | | | 1 | 500 | 1000 | 2000 | |
| 1 | 45540901 | OR-Board-F1W | 1 | 1 | 2 | 4 | |

Plate-Assy-Rear



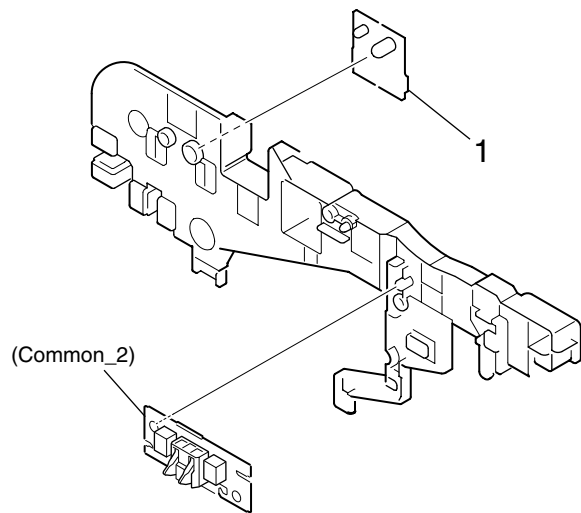
| No. | Part No. | Part Name | Q'ty /Unit | | | | Remarks |
|-----|----------|---------------------------|------------------------|-----|------|------|---------|
| | | | Recommended Qty / Year | | | | |
| | | | 1 | 500 | 1000 | 2000 | |
| 1 | 45180202 | Motor-Fan | 1 | 1 | 2 | 4 | |
| 2 | 45189701 | Belt-Drive-Assy | 1 | 1 | 2 | 4 | |
| 3 | 45192101 | Fuser-Drive-Assy | 1 | 1 | 2 | 4 | |
| 4 | 45192901 | Motor Assy.-Regist | 1 | 1 | 2 | 4 | |
| 5 | 45085901 | Read Write System Contact | 1 | 1 | 2 | 4 | |
| 6 | 42846706 | Belt-Mini Pitch(B190) | 1 | 1 | 2 | 4 | |

Holde-Head-Assy



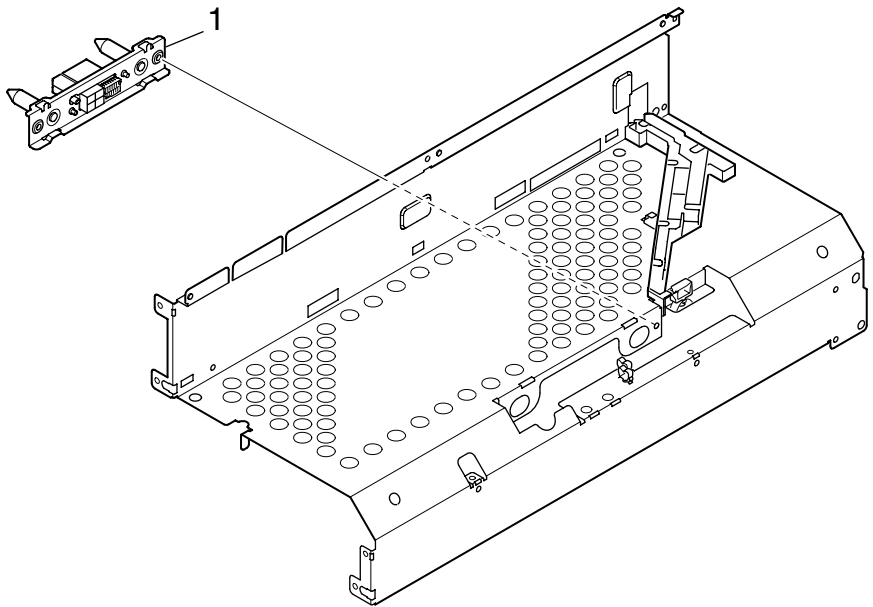
| No. | Part No. | Part Name | Q'ty /Unit | | | | Remarks |
|-----|----------|---------------|------------------------|-----|------|------|---------|
| | | | Recommended Qty / Year | | | | |
| | | | 1 | 500 | 1000 | 2000 | |
| 1 | 45206801 | Holder-Head-F | 1 | 1 | 2 | 4 | |
| 2 | 45206901 | Holder-Head-R | 1 | 1 | 2 | 4 | |

Sensor-Assy-WT



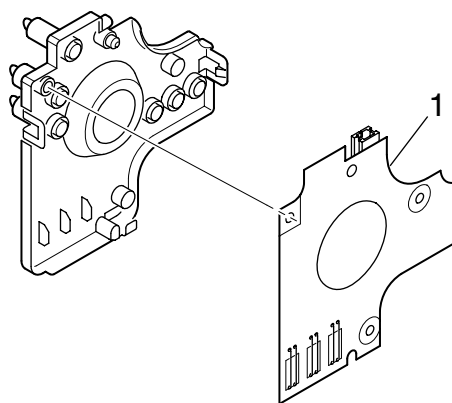
| No. | Part No. | Part Name | Q'ty /Unit | | | | Remarks |
|-----|----------|--------------|------------------------|-----|------|------|---------|
| | | | Recommended Qty / Year | | | | |
| | | | 1 | 500 | 1000 | 2000 | |
| 1 | 45540101 | OR-Board-F1N | 1 | 1 | 2 | 4 | |

Plate-Assy-Side-LB



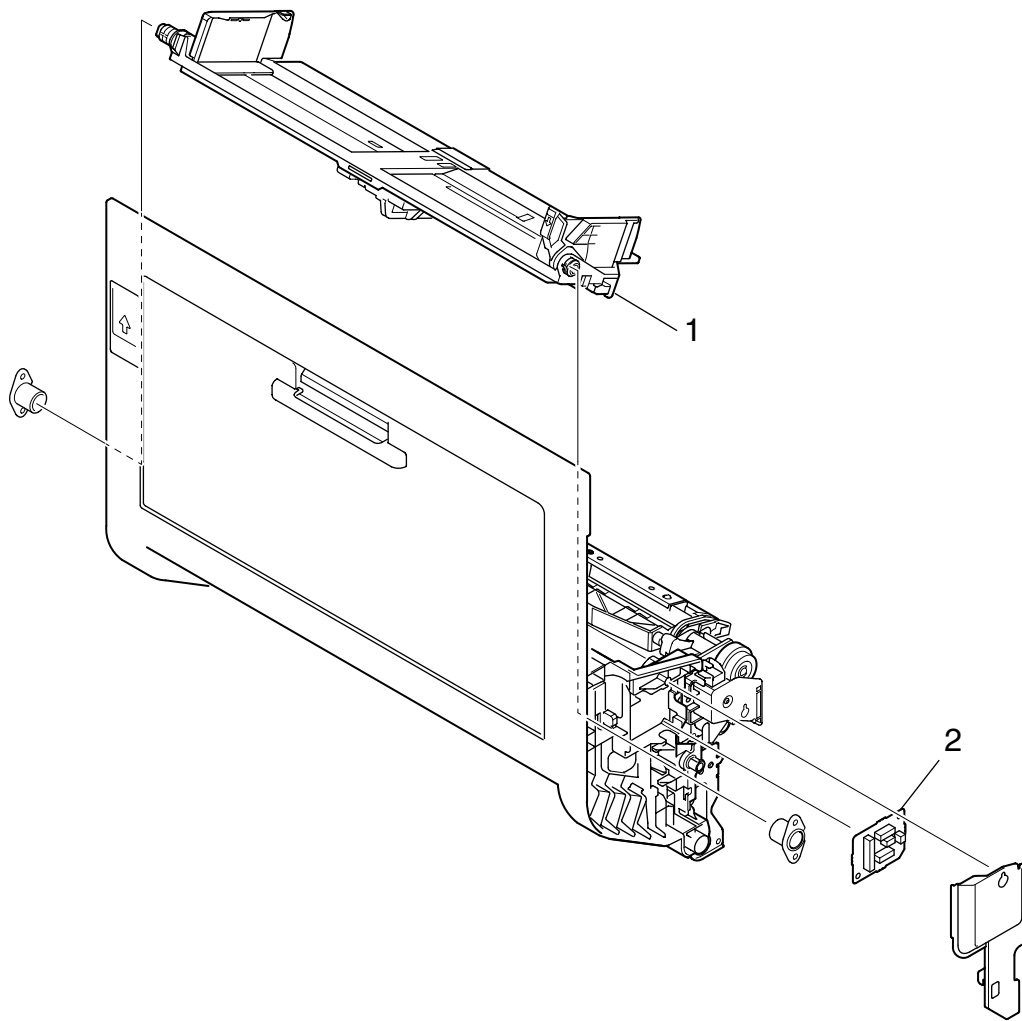
| No. | Part No. | Part Name | Q'ty /Unit | | | | Remarks |
|-----|----------|-----------------|------------------------|-----|------|------|---------|
| | | | Recommended Qty / Year | | | | |
| | | | 1 | 500 | 1000 | 2000 | |
| 1 | 45198401 | CONN-Assy-Fuser | 5 | 1 | 2 | 4 | |

Contact-Assy



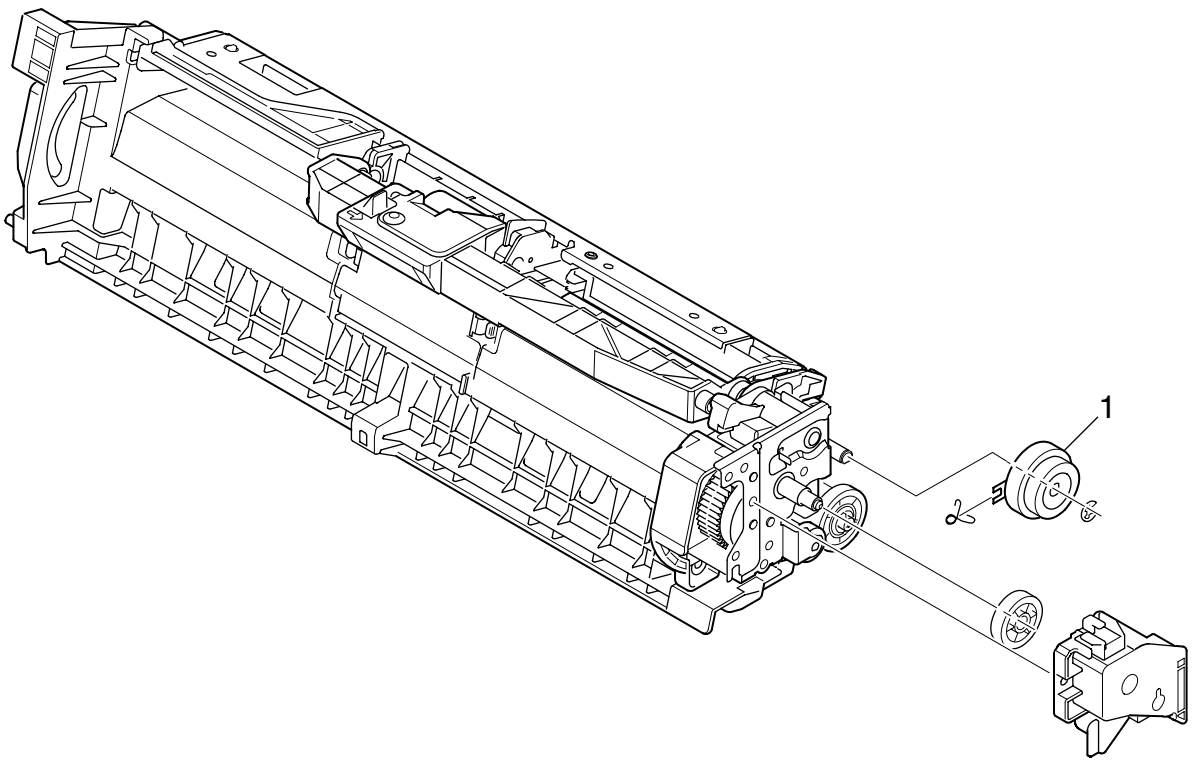
| No. | Part No. | Part Name | Q'ty /Unit | | | | Remarks |
|-----|----------|--------------|------------------------|-----|------|------|---------|
| | | | Recommended Qty / Year | | | | |
| | | | 1 | 500 | 1000 | 2000 | |
| 1 | 45449201 | OR-Board-AHR | 1 | 1 | 2 | 4 | |

MPT-Unit



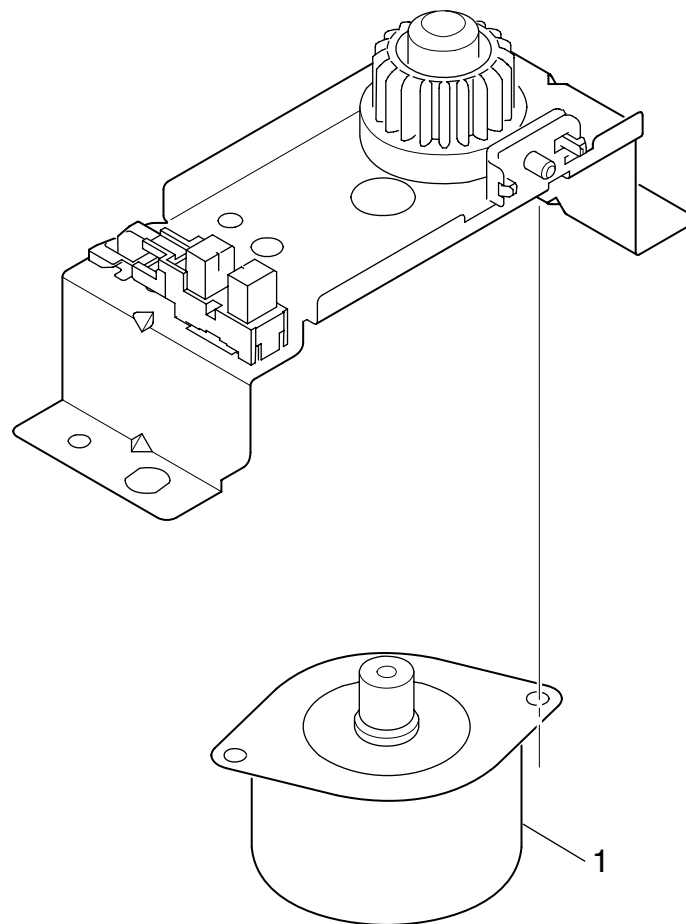
| No. | Part No. | Part Name | Q'ty /Unit | | | | Remarks |
|-----|----------|--------------|------------------------|-----|------|------|---------|
| | | | Recommended Qty / Year | | | | |
| | | | 1 | 500 | 1000 | 2000 | |
| 1 | 45220001 | Hopper-Assy | 1 | 1 | 2 | 4 | |
| 2 | 45540301 | OR-Board-F1S | 1 | 1 | 2 | 4 | |

Feeder-Assy



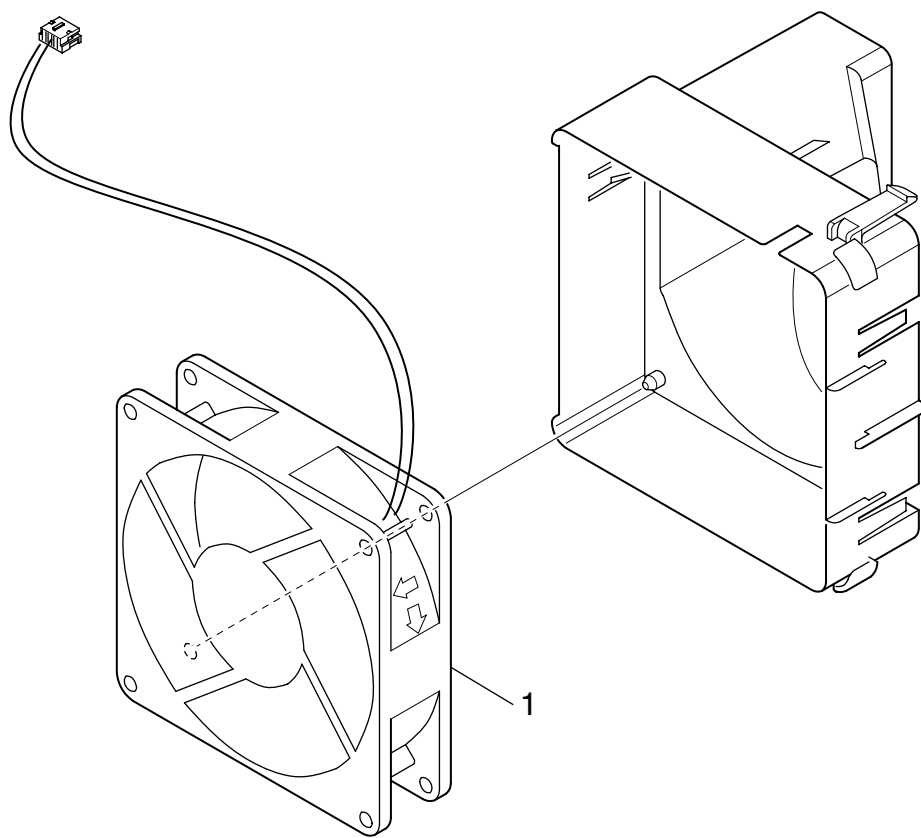
| No. | Part No. | Part Name | Q'ty /Unit | | | | Remarks |
|-----|----------|-----------|------------------------|-----|------|------|---------|
| | | | Recommended Qty / Year | | | | |
| | | | 1 | 500 | 1000 | 2000 | |
| 1 | 45366007 | Clutch | 1 | 1 | 2 | 4 | |

Motor-Assy-JobOFF



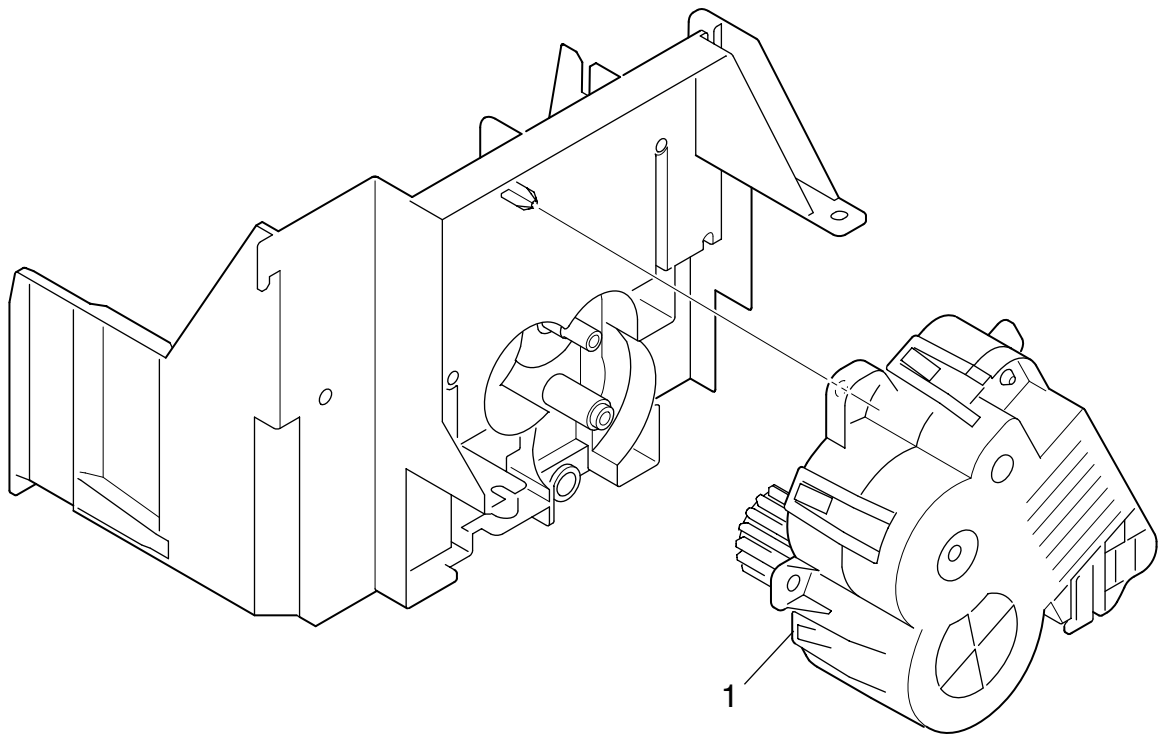
| No. | Part No. | Part Name | Q'ty /Unit | | | | Remarks |
|-----|----------|--------------|------------------------|-----|------|------|---------|
| | | | Recommended Qty / Year | | | | |
| | | | 1 | 500 | 1000 | 2000 | |
| 1 | 42058201 | Motor-Resist | 1 | 1 | 2 | 4 | |

Motor-Assy-FAN



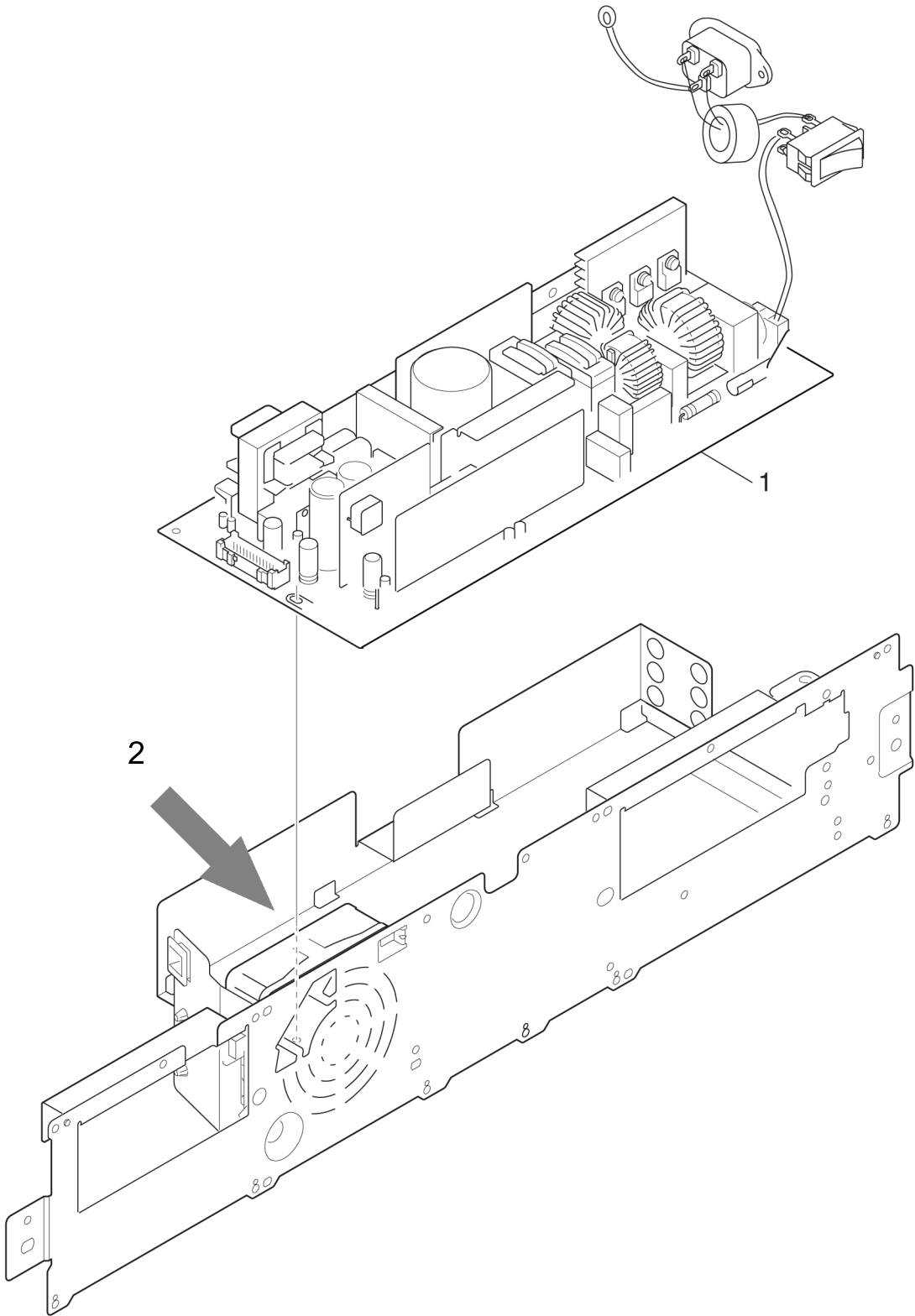
| No. | Part No. | Part Name | Q'ty /Unit | | | | Remarks |
|-----|----------|-----------|------------------------|-----|------|------|---------|
| | | | Recommended Qty / Year | | | | |
| | | | 1 | 500 | 1000 | 2000 | |
| 1 | 42781702 | Motor-Fan | 1 | 1 | 2 | 4 | |

Frame-Assy-TC-R



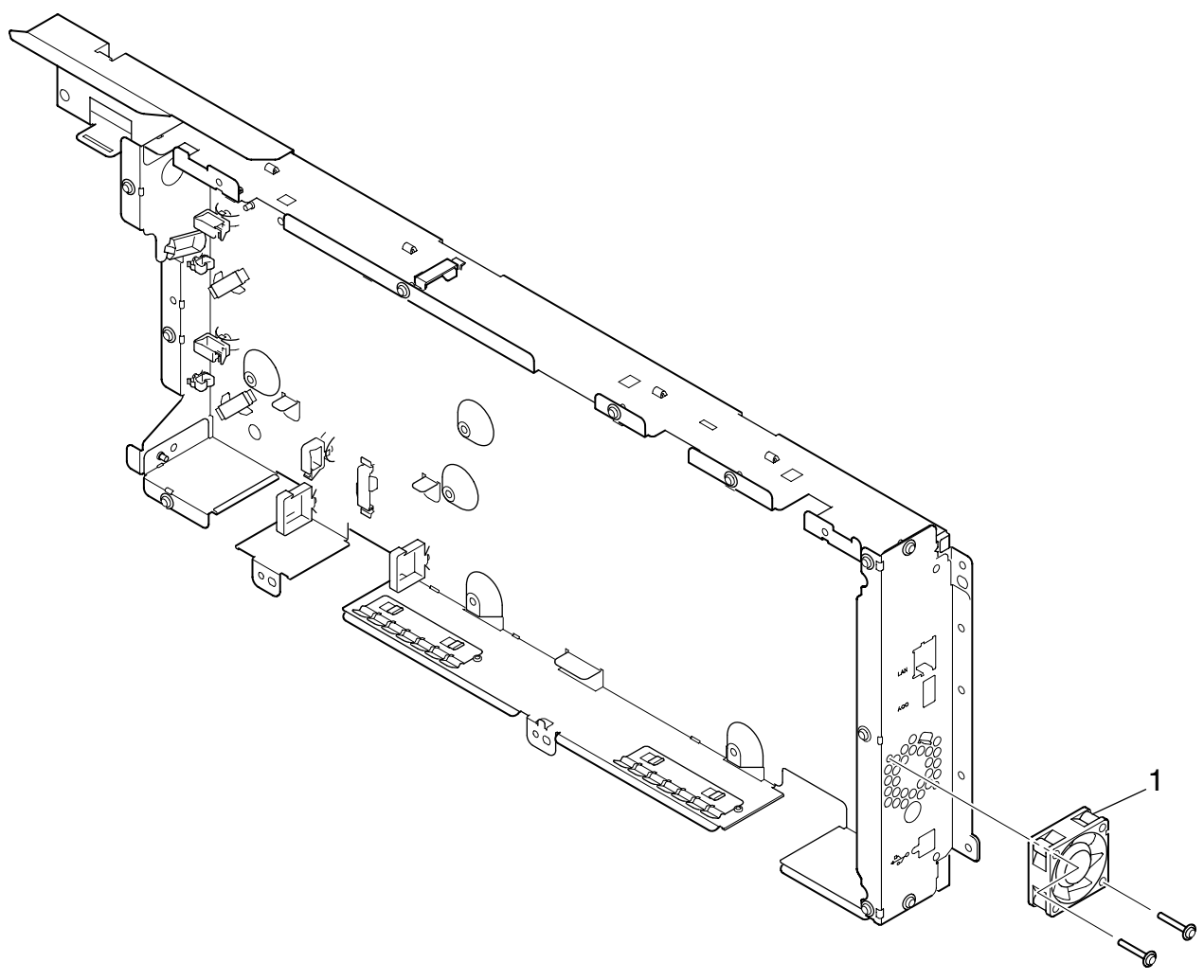
| No. | Part No. | Part Name | Q'ty /Unit | | | | Remarks |
|-----|----------|------------------|------------------------|-----|------|------|---------|
| | | | Recommended Qty / Year | | | | |
| | | | 1 | 500 | 1000 | 2000 | |
| 1 | 45171801 | Motor-Assy-Geard | 1 | 1 | 2 | 4 | |

Board-Power-Sub-Assy



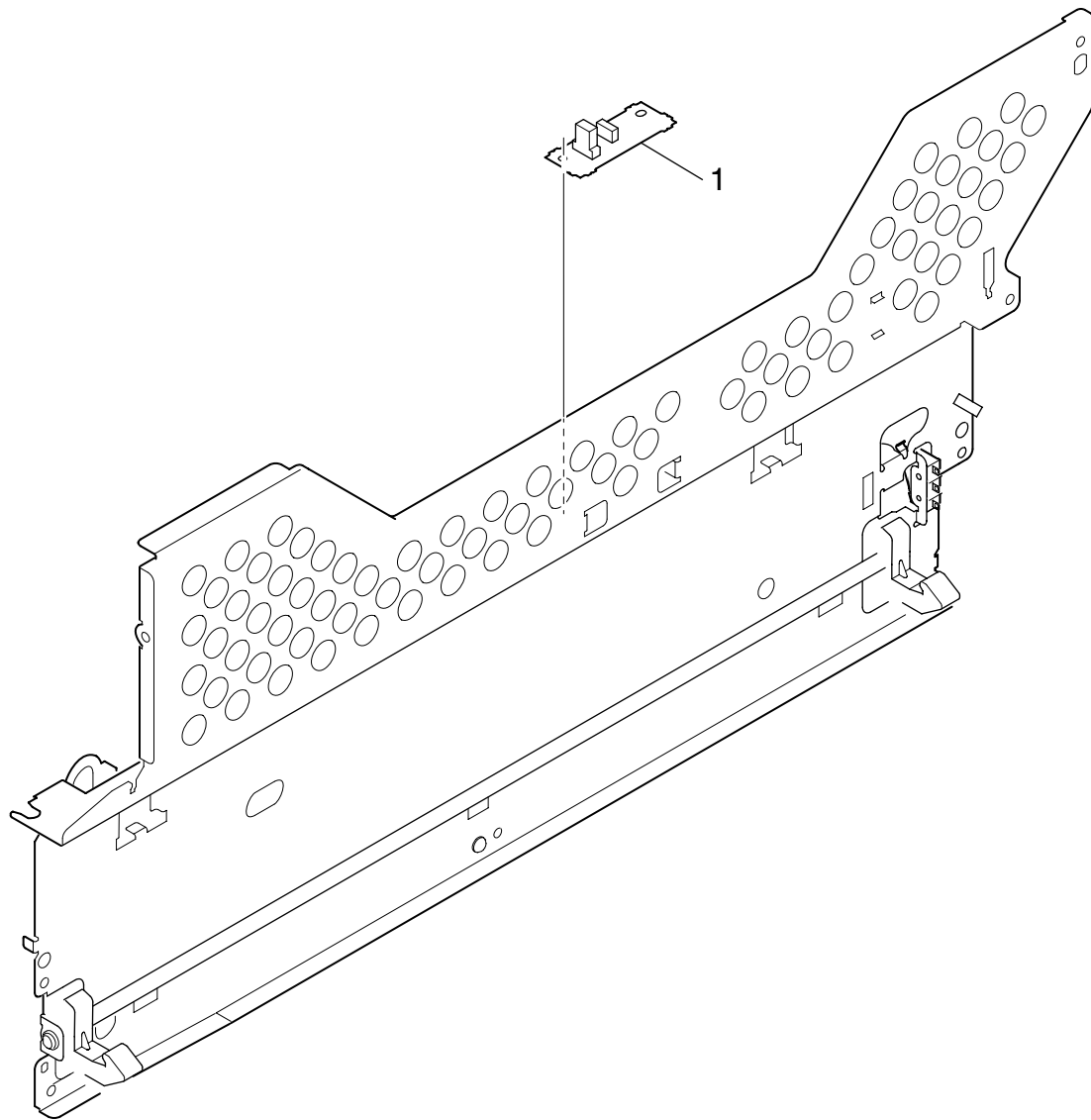
| No. | Part No. | Part Name | Q'ty /Unit | | | | Remarks |
|-----|----------|----------------------|------------------------|-----|------|------|---------|
| | | | Recommended Qty / Year | | | | |
| | | | 1 | 500 | 1000 | 2000 | |
| 1 | 44978701 | PWR unit-ACDC Switch | 1 | 1 | 2 | 4 | |
| 2 | 45180201 | Motor-Fan | 1 | 1 | 2 | 4 | |

Box-Main-PCB-Assy



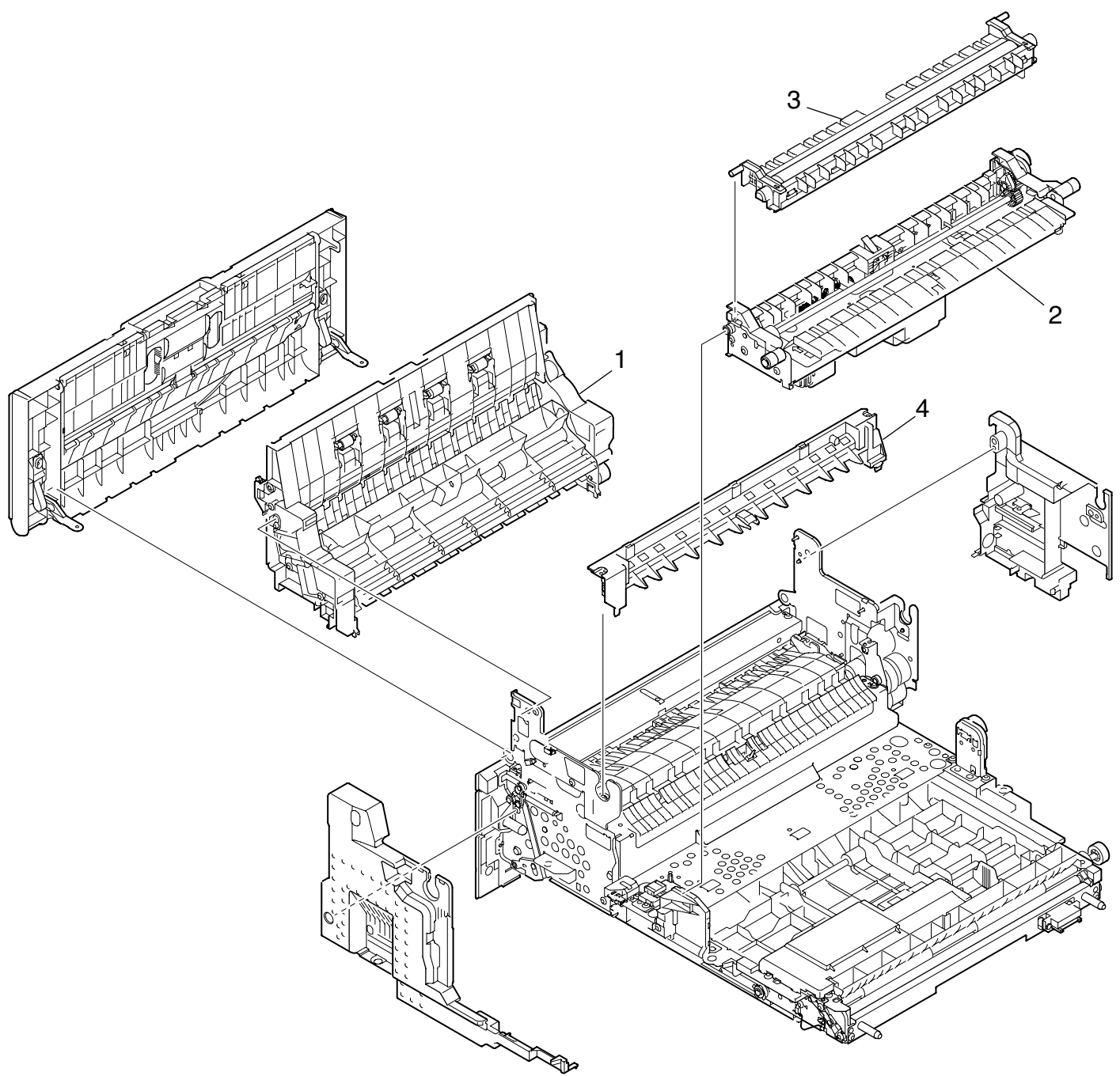
| No. | Part No. | Part Name | Q'ty /Unit | | | | Remarks |
|-----|----------|------------------|------------------------|-----|------|------|---------|
| | | | Recommended Qty / Year | | | | |
| | | | 1 | 500 | 1000 | 2000 | |
| 1 | 45554301 | D04R-24TH68B(EX) | 1 | 1 | 2 | 4 | |

Plate-Assy-Side-RA



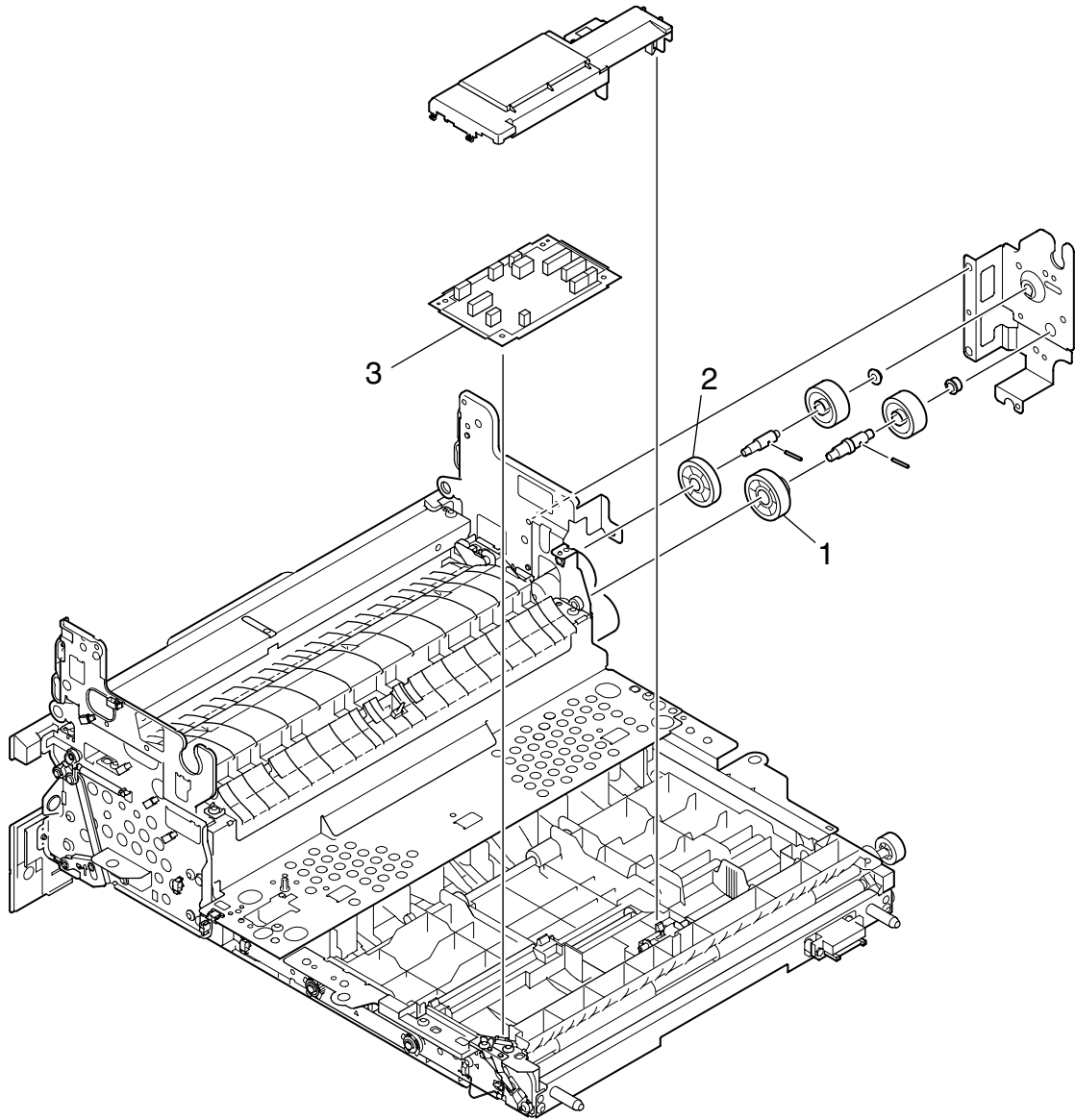
| No. | Part No. | Part Name | Q'ty /Unit | | | | Remarks |
|-----|----------|-----------|------------------------|-----|------|------|---------|
| | | | Recommended Qty / Year | | | | |
| | | | 1 | 500 | 1000 | 2000 | |
| 1 | 45169301 | OR-MFH | 1 | 1 | 2 | 4 | |

EJ-Rail-Assy



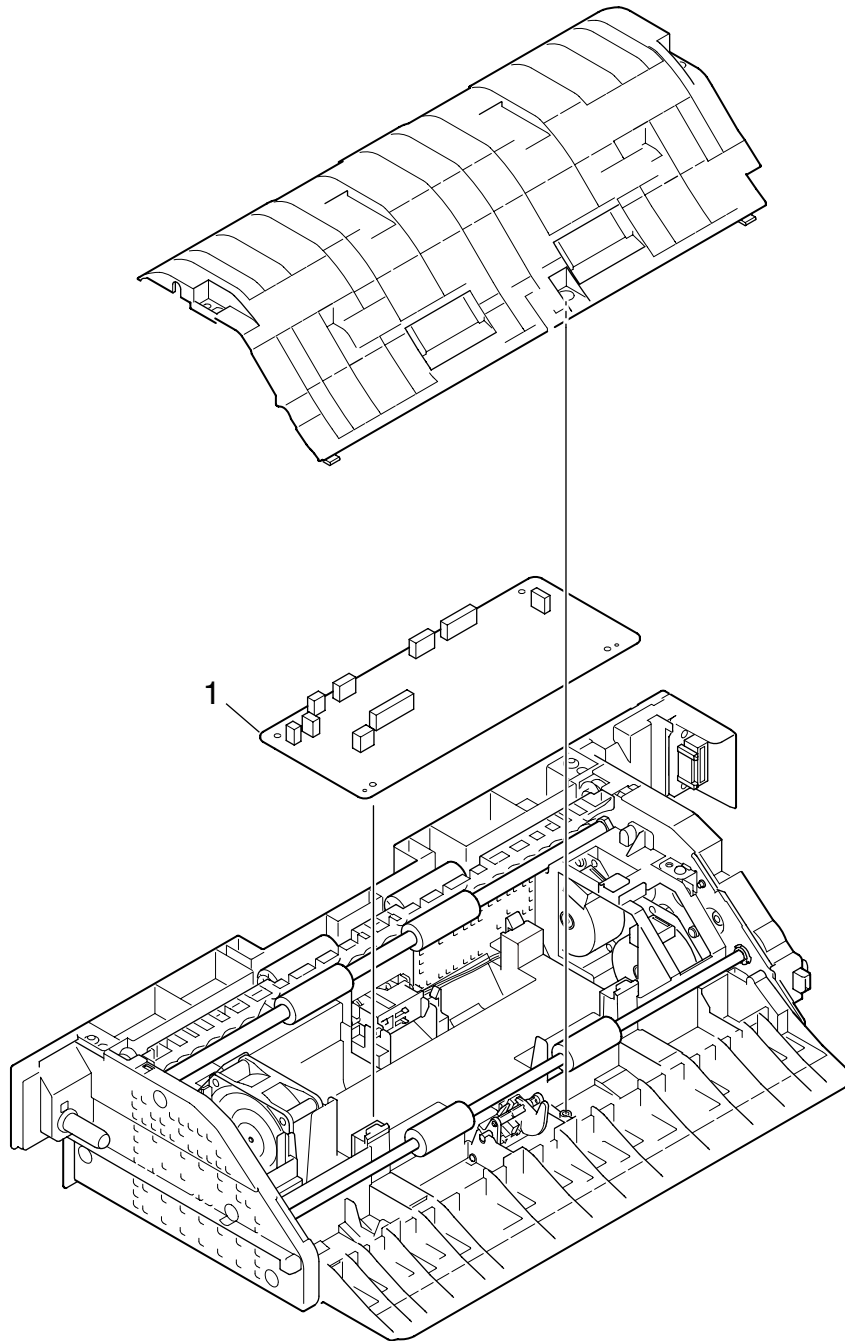
| No. | Part No. | Part Name | Q'ty /Unit | | | | Remarks |
|-----|----------|---------------------------|------------------------|-----|------|------|------------|
| | | | Recommended Qty / Year | | | | |
| | | | 1 | 500 | 1000 | 2000 | |
| 1 | 45235201 | Guide-Assy-Eject-Lower | 1 | 1 | 2 | 4 | For 4color |
| 1 | 45235202 | Guide-Assy-Eject-Lower-SP | 1 | 1 | 2 | 4 | For 5color |
| 2 | | Frame-Assy.-TR2 | 1 | 1 | 2 | 4 | |
| 3 | 45245001 | Roller-Assy.-TR2 | 1 | 1 | 2 | 4 | |
| 4 | 45246501 | Decurl-Assy | 1 | 1 | 2 | 4 | |
| 5 | | Frame-Assy.-TR2 | 1 | 1 | 2 | 4 | |

LSD-Unit



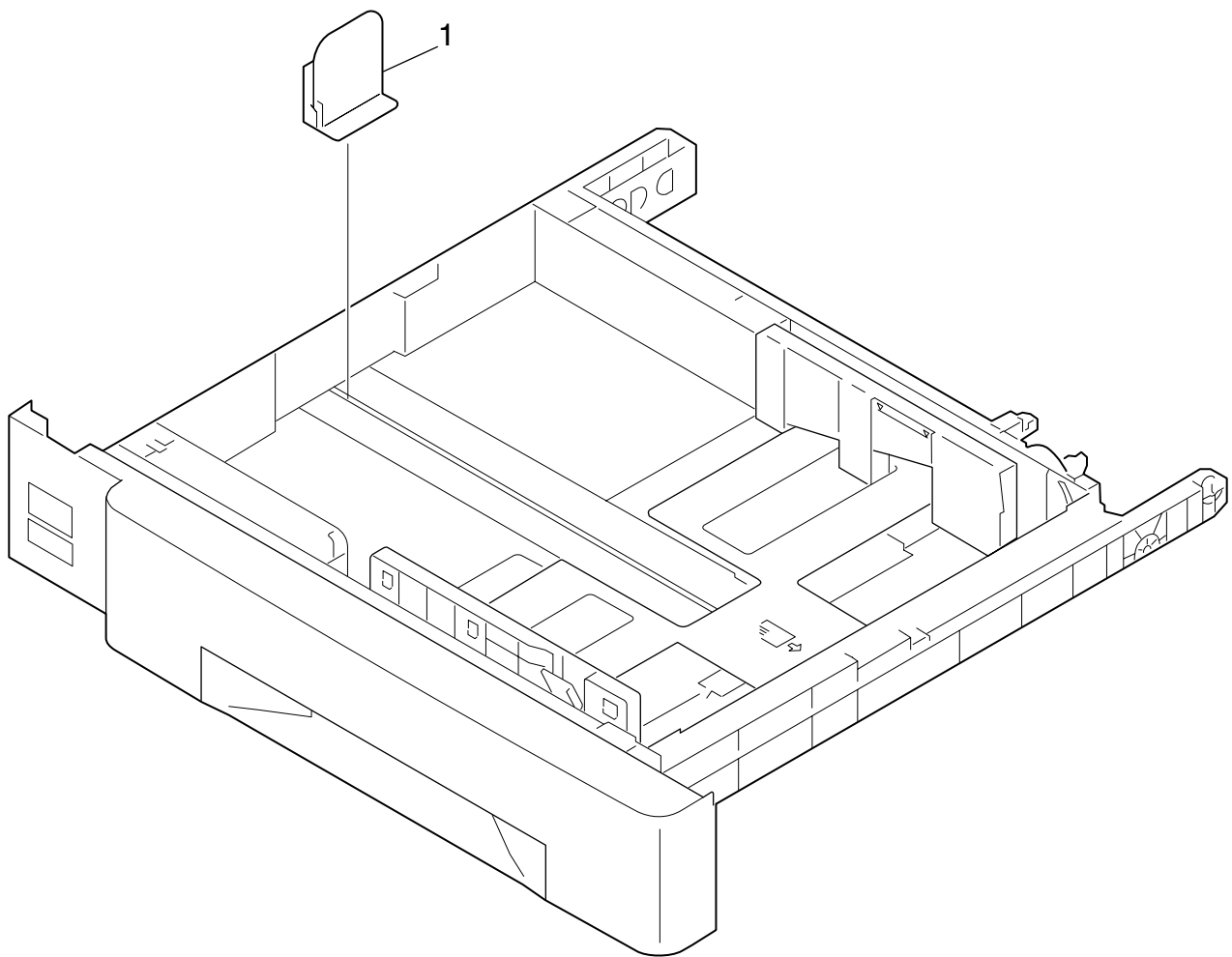
| No. | Part No. | Part Name | Q'ty /Unit | | | | Remarks |
|-----|----------|------------------------|------------------------|-----|------|------|---------|
| | | | Recommended Qty / Year | | | | |
| | | | 1 | 500 | 1000 | 2000 | |
| 1 | 45470301 | Gear-Assy-Oneway-Z33 | 1 | 1 | 2 | 4 | |
| 2 | 45470401 | Gear-Assy-Oneway-Z33-R | 1 | 1 | 2 | 4 | |
| 3 | 45540501 | OR-Board-F1L | 1 | 1 | 2 | 4 | |

Duplex-Unit



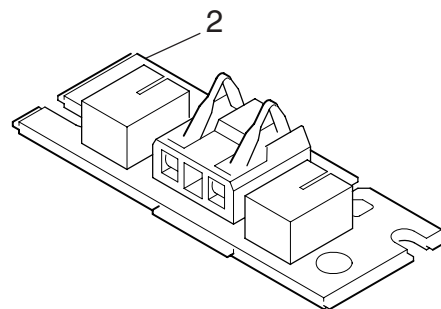
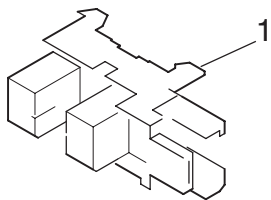
| Unit Name | No. | Part No. | Part Name | Q'ty /Unit | | | | Remarks |
|-------------|-----|----------|-------------------------------|------------------------|-----|------|------|---------|
| | | | | Recommended Qty / Year | | | | |
| | | | | 1 | 500 | 1000 | 2000 | |
| Duplex-Unit | 1 | 45700002 | PX753 F1T-1 maintenance board | 1 | 1 | 2 | 4 | |

Case-Cassette-Assy



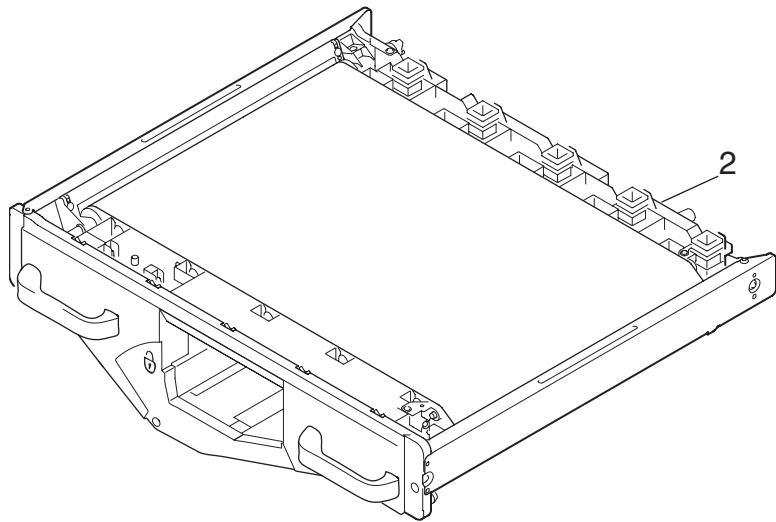
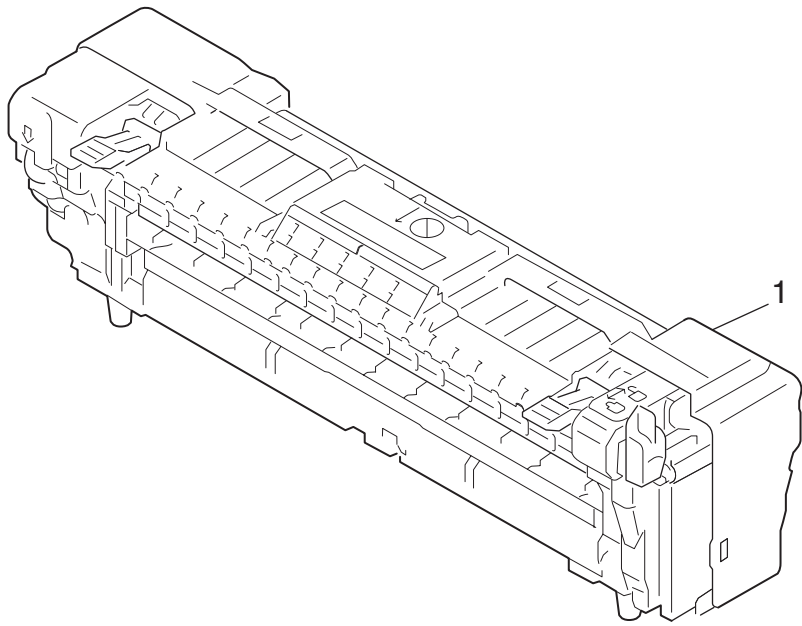
| No. | Part No. | Part Name | Q'ty /Unit | | | | Remarks |
|-----|----------|------------------|------------------------|-----|------|------|---------|
| | | | Recommended Qty / Year | | | | |
| | | | 1 | 500 | 1000 | 2000 | |
| 1 | 42717003 | Guide Assy.-Tail | 28 | 1 | 2 | 4 | |

Common

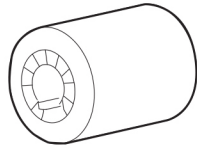


| No. | Part No. | Part Name | Q'ty /Unit | | | | Remarks |
|-----|----------|--------------|------------------------|-----|------|------|---------|
| | | | Recommended Qty / Year | | | | |
| | | | 1 | 500 | 1000 | 2000 | |
| 1 | | GP1A173LCS2F | 12 | 5 | 10 | 20 | |
| 2 | 45540601 | OR-Board-F1G | 1 | 5 | 10 | 20 | |

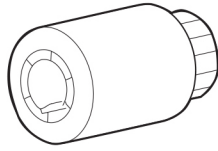
Consumable -1



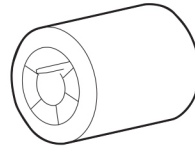
Consumable -2



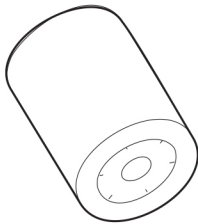
3



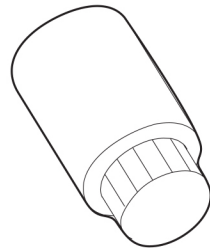
4



5



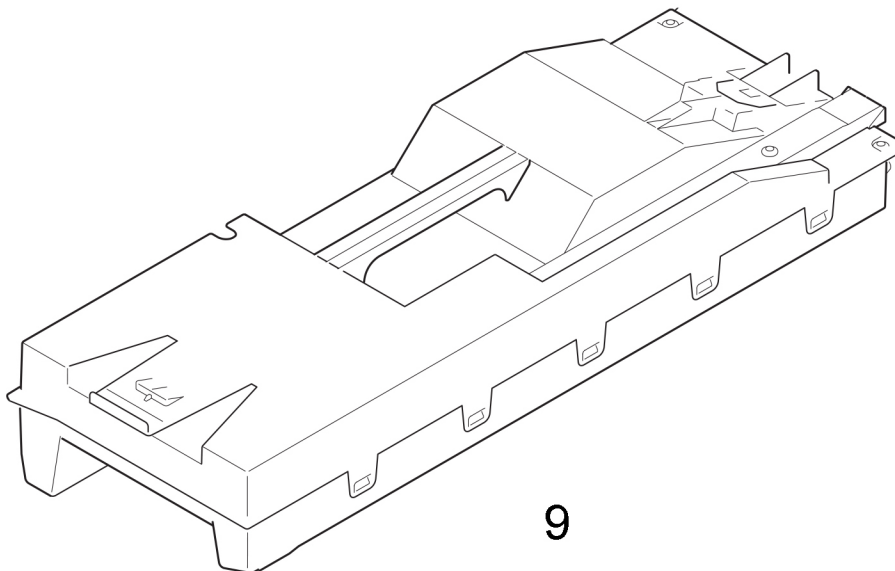
6



7



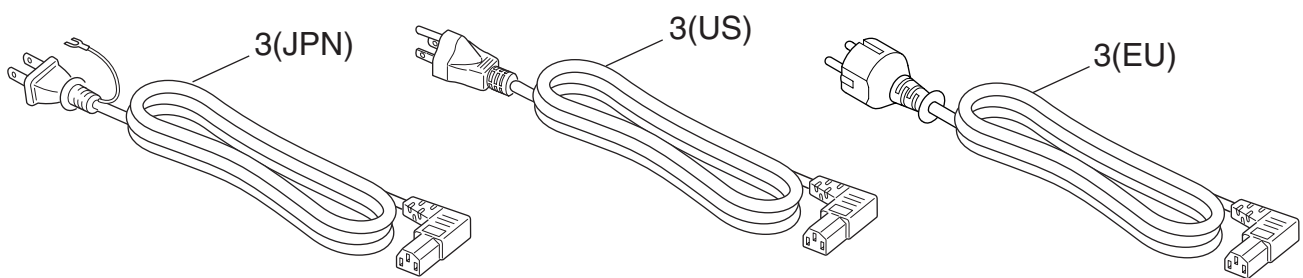
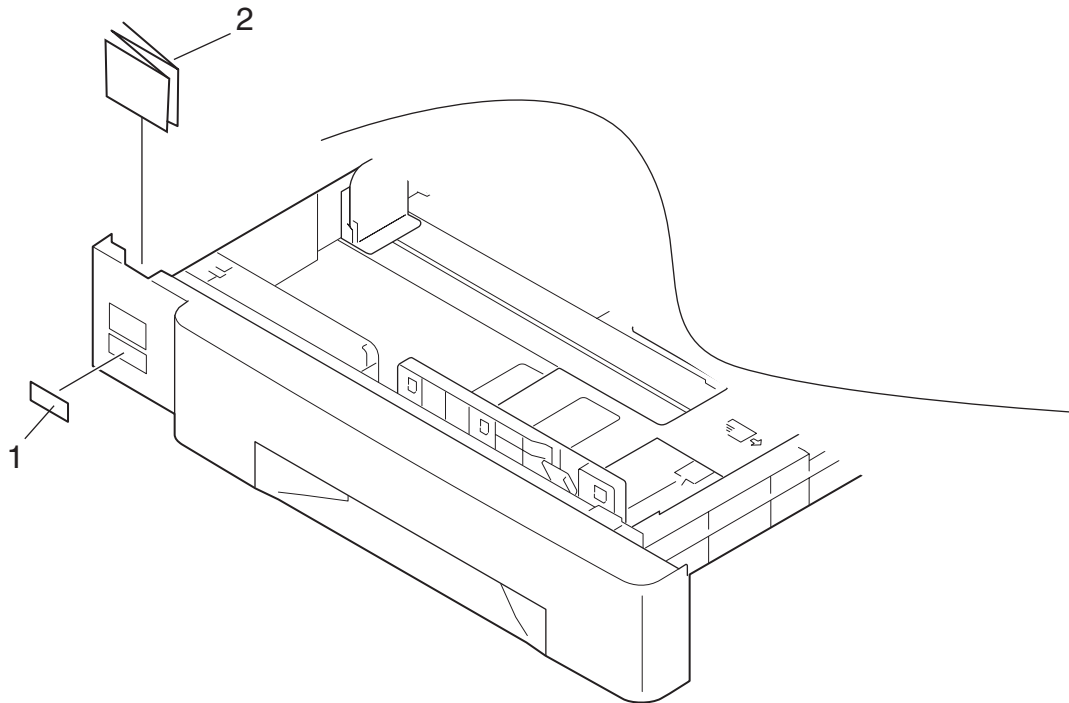
8



9

| No. | Part No. | Part Name | Q'ty /Unit | | | | Remarks |
|-----|----------|----------------------------------|------------------------|-----|------|------|---------------------------|
| | | | Recommended Qty / Year | | | | |
| | | | 1 | 500 | 1000 | 2000 | |
| 1 | 45531111 | Fuser-Unit-PX753-100V-Consumable | 1 | 2 | 4 | 8 | JPN |
| 1 | 45531112 | Fuser-Unit-PX753-120V-Consumable | 1 | 2 | 4 | 8 | ODA/ODB |
| 1 | 45531113 | Fuser-Unit-PX753-230V-Consumable | 1 | 1 | 4 | 8 | OEL/ODLA/AOS1 |
| 2 | 45531212 | Belt-Unit-PX753(ODA) | 1 | 2 | 4 | 8 | ODA/ODB/ODLA |
| 3 | 41766501 | Feed Tire - Paper Tray | 1 | 2 | 4 | 8 | Paper Tray Roller |
| 4 | 42699401 | Feed Tire - Paper Tray | 1 | 2 | 4 | 8 | Paper Tray Roller |
| 5 | 43000601 | Feed Tire - Paper Tray | 1 | 1 | 2 | 4 | Paper Tray Roller |
| 6 | 44750301 | Feed Tire - Multi-Purpose Tray | 1 | 1 | 2 | 4 | Multi-Purpose Tray Roller |
| 7 | 42954401 | Feed Tire - Multi-Purpose Tray | 1 | 1 | 2 | 4 | Multi-Purpose Tray Roller |
| 8 | 44732301 | Feed Tire - Multi-Purpose Tray | 1 | 1 | 2 | 4 | Multi-Purpose Tray Roller |
| 5 | 45531502 | Box-Waste-Toner- PX753(ODA) | 1 | 2 | 4 | 8 | ODA/ODB/ODLA |
| 5 | | Box-Waste-Toner-PX753(OEL) | 1 | 2 | 4 | 8 | OEL/AOS1byte |
| 5 | | Box-Waste-Toner-PX753 | 1 | 2 | 4 | 8 | AOS2byte |

Appended parts



| No. | Part No. | Part Name | Q'ty /Unit | | | | Remarks |
|-----|----------|----------------------------|------------------------|-----|------|------|---------|
| | | | Recommended Qty / Year | | | | |
| | | | 1 | 500 | 1000 | 2000 | |
| 1 | | Label-Tray | 1 | 1 | 2 | 4 | |
| 2 | 45560101 | Indicator-Paper-Size | 1 | 1 | 2 | 4 | |
| 3 | | CONN Cord-AC(JPN) | 1 | 1 | 2 | 4 | |
| 3 | | CONN Cord-AC(US) | 1 | 1 | 2 | 4 | |
| 3 | | CONN Cord-AC Cord Set (EU) | | 1 | 2 | 4 | |