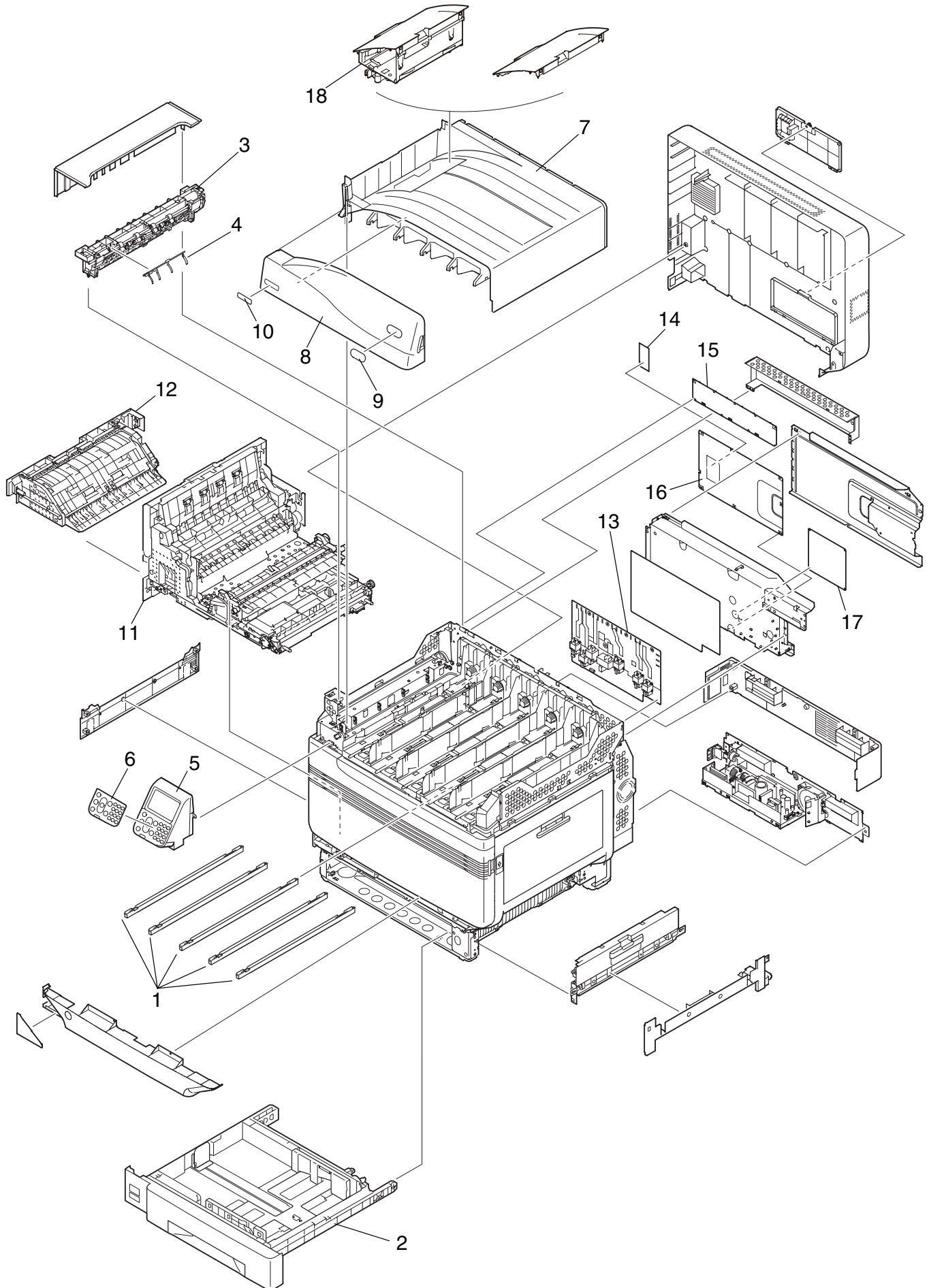


**C911 / C931 / C941  
Illustrated Spare  
Parts Manual**

100314H

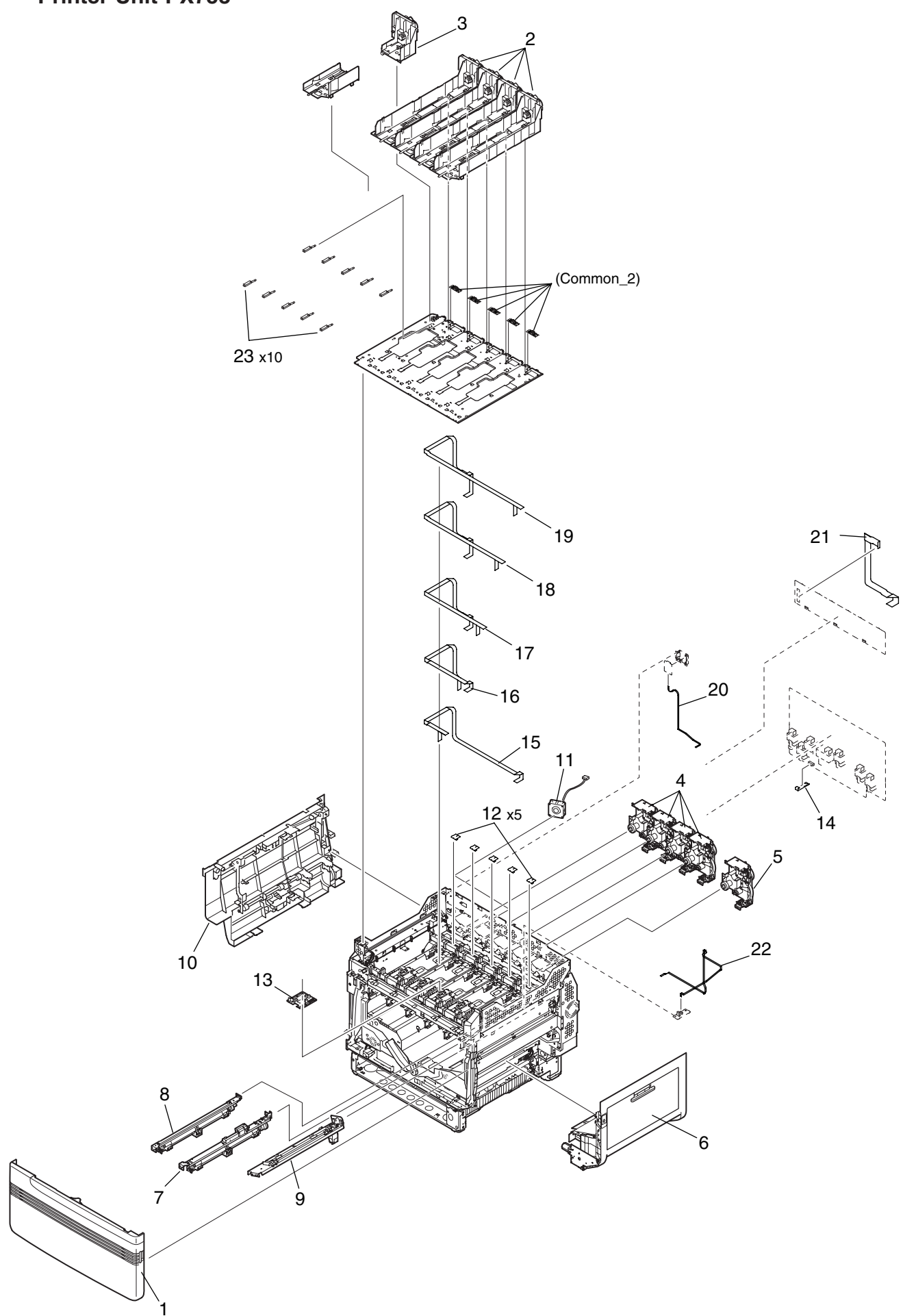
# Printer-NIP



No.	Part No.	Part Name	Q'ty /Unit				Remarks
			Recommended Qty / Year				
			1	500	1000	2000	
1	45538601	LED Head Unit-63TRL	5	5	10	20	Only 4 Heads for C911 / C931
2	45180401	Cassette Assy.	1	1	2	4	
3	45238101	Eject-Assy-Joboff	1	1	2	4	
4	45241001	Lever-Stacker-Full	1	1	2	4	
5	45247201	Cover-Assy-OP-Panel	1	1	2	4	
6	45247901	Sheet-OP-Panel	1	1	2	4	For OEL ODA
7		Cover-Assy-Top-B	1	1	2	4	
8		Cover Assy-TC	1	1	2	4	
9		Plate-Logo	1	1	2	4	
10		Plate-Name	1	1	2	4	C911
10		Plate-Name	1	1	2	4	C931
10		Plate-Name	1	1	2	4	C941
11		EJ-Rail-Unit	1	1	2	4	For 100V
11		EJ-Rail-Unit	1	1	2	4	For 230V
12	45286301	Duplex-Unit	1	1	2	4	Common for 4 color and 5 color
13	45392601	OR-Board-AHV-5 colors	1	1	2	4	For 5 color
13	45392602	OR-Board-AHV-4 colors	1	1	2	4	For 4 color
14		Board-Memory DDR3 2GB	1	1	2	4	
14		SMD-N2G68CA1P-16K	1	1	2	4	
15	45642402	F1D-1 maintenance board	1	1	2	4	For 5 color
15	45642403	F1D-2 maintenance board	1	1	2	4	For 4 color
16	45623706	maintenance board	1	1	2	4	C911-ODA
16	45623707	maintenance board	1	1	2	4	C931-ODA
16	45623708	maintenance board	1	1	2	4	C941-ODA
16		maintenance board	1	1	2	4	C911-ODLA
16		maintenance board	1	1	2	4	C931-ODLA
16		maintenance board	1	1	2	4	C941-ODLA
16	45623712	maintenance board	1	1	2	4	C911-ODB
16	45623713	maintenance board	1	1	2	4	C931-ODB
16	45623714	maintenance board	1	1	2	4	C941-ODB
17	45539901	OR-Board-F1X	1	1	2	4	For 5 color only

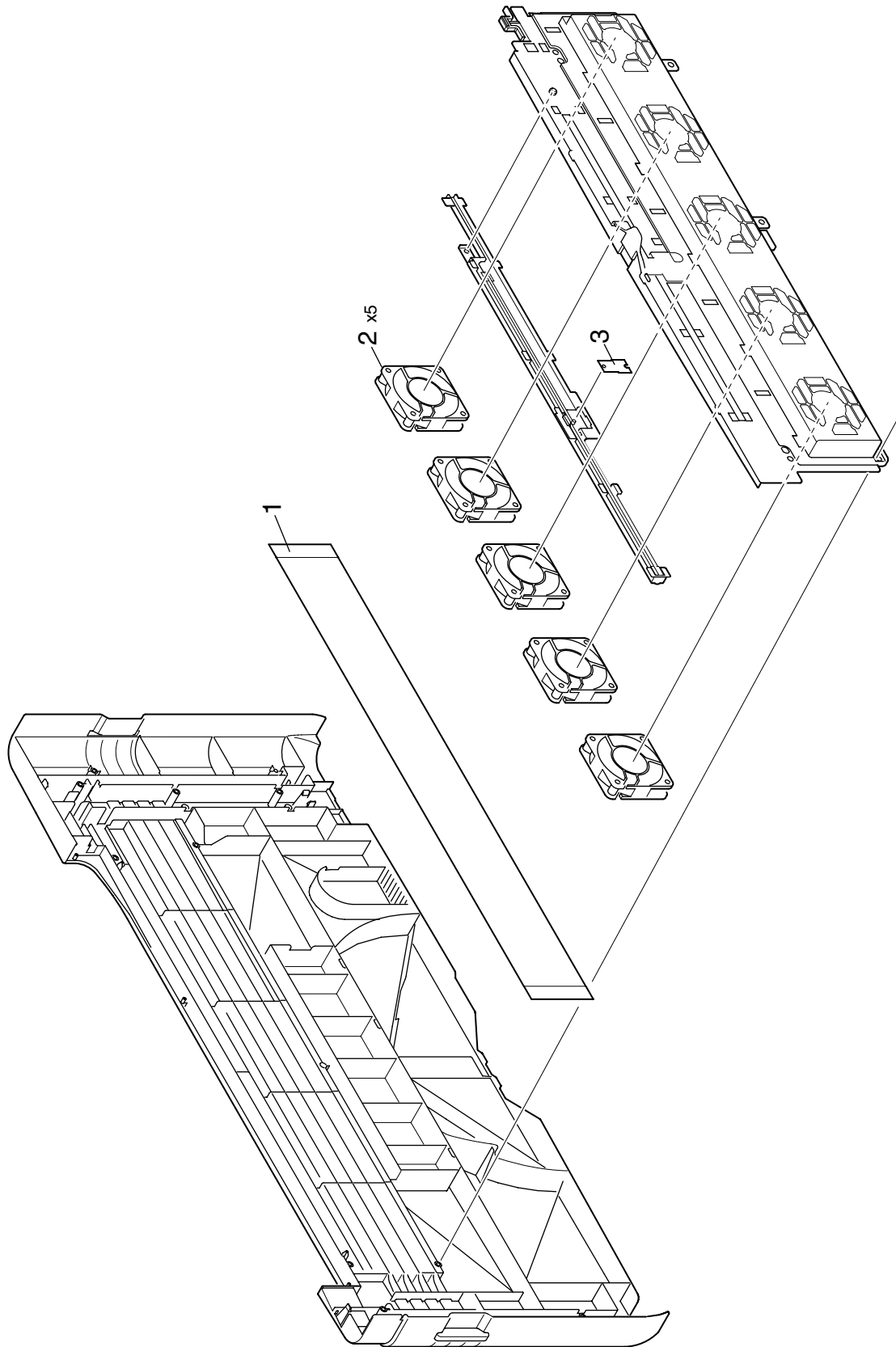
No.	Part No.	Part Name	Q'ty /Unit				Remarks
			Recommended Qty / Year				
			1	500	1000	2000	
18	45519801	Frame-Assy-TC-A (White Duct)	1	1	2	4	Duct assembly for White Toner C941 only
18	45519802	Frame-Assy-TC-A (Clear Duct)	1	1	2	4	Duct assembly for Clear Toner C941 only

# Printer-Unit-PX753



Unit Name	No.	Part No.	Part Name	Q'ty /Unit				Remarks
				Recommended Qty / Year				
				1	500	1000	2000	
Printer-Unit-PX753	1		Cover Assy.-Front	4	1	2	4	
Printer-Unit-PX753	2		Frame Assy.-TC	1	1	2	4	
Printer-Unit-PX753	3		Frame-Assy.-TC-R	4	1	2	4	
Printer-Unit-PX753	4	45207401	Motor-Assy-ID	1	1	2	4	
Printer-Unit-PX753	5	45207402	Motor-Assy-ID(K)	1	1	2	4	
Printer-Unit-PX753	6	45218901	MPT-Unit	1	1	2	4	
Printer-Unit-PX753	7	45228601	Roller-Assy-Regist-2	1	1	2	4	
Printer-Unit-PX753	8	45230601	Roller-Assy-Synchro	1	1	2	4	
Printer-Unit-PX753	9	45231901	Regist-Sensor-Assy_753	1	1	2	4	
Printer-Unit-PX753	10	45233601	Guide-Assy-Eject-M	1	1	2	4	For 4 color
Printer-Unit-PX753	10	45233602	Guide-Assy-Eject-M-SP	1	1	2	4	For 5 color
Printer-Unit-PX753	11	45516801	Moto-FAN(60)	5	1	2	4	
Printer-Unit-PX753	12	45540101	OR-Board-F1N	1	1	2	4	
Printer-Unit-PX753	13	45540201	OR-Board-F1H	1	1	2	4	
Printer-Unit-PX753	14		SMCD-13-100BD(1.0)	1	1	2	4	
Printer-Unit-PX753	15	56647001	SML2SC31-953BL0.5ALZ	1	1	2	4	Spot Color LED Head Cable - For 5 Color Only
Printer-Unit-PX753	16	56647002	SML2SC31-773BL0.5ALZ	1	1	2	4	Yellow LED Head Cable
Printer-Unit-PX753	17	56647003	SML2SC31-903BL0.5ALZ	1	1	2	4	Magenta LED Head Cable
Printer-Unit-PX753	18	56647004	SML2SC31-1037BL0.5AL	1	1	2	4	Cyan LED Head Cable
Printer-Unit-PX753	19	56647005	SML2SC31-1170BL0.5AL	1	1	2	4	Black LED Head Cable
Printer-Unit-PX753	20		20624FWR1.0-5-405	1	1	2	4	
Printer-Unit-PX753	21		20624FWR1.0-30-555	1	1	2	4	
Printer-Unit-PX753	22		20624FWR1.0-6-920	10	1	2	4	
Printer-Unit-PX753	23		Plate-Fix-Pivot	1	2	4	8	

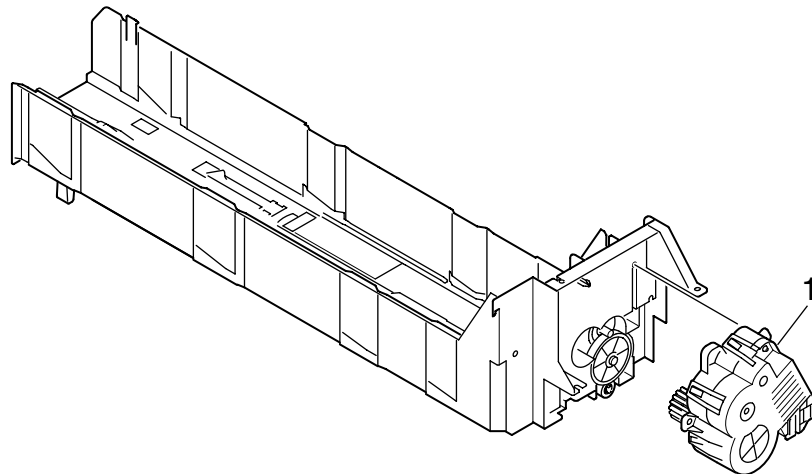
# Cover-Assy-Front



No.	Part No.	Part Name	Q'ty /Unit				Remarks
			Recommended Qty / Year				
			1	500	1000	2000	
1	45512901	Filter-Front	1	1	2	4	
2	45516301	Motor-FAN(60-15)	1	1	2	4	
3	45541001	OR-Board-F1E	1	1	2	4	

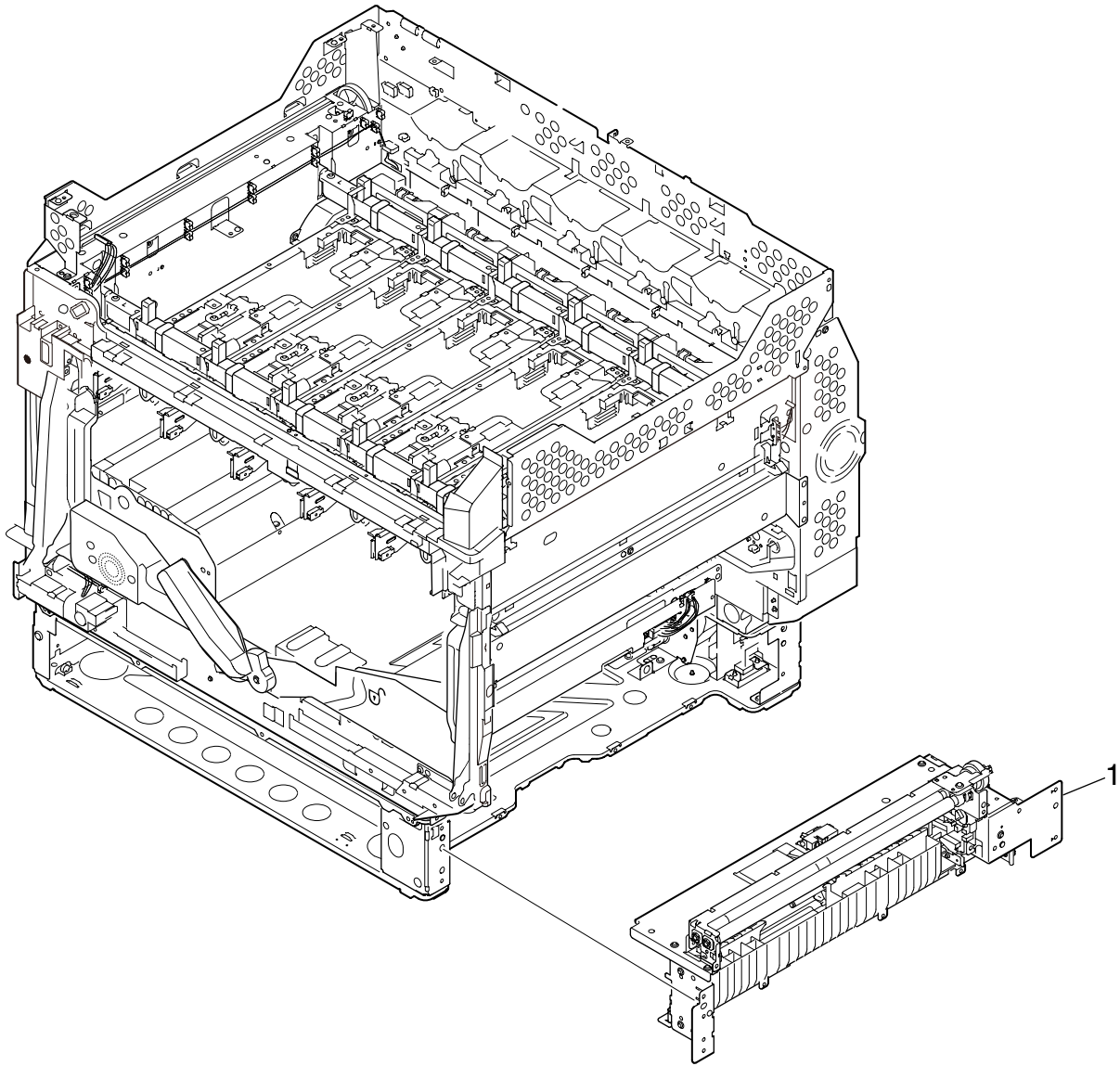


# Frame-Assy-TC



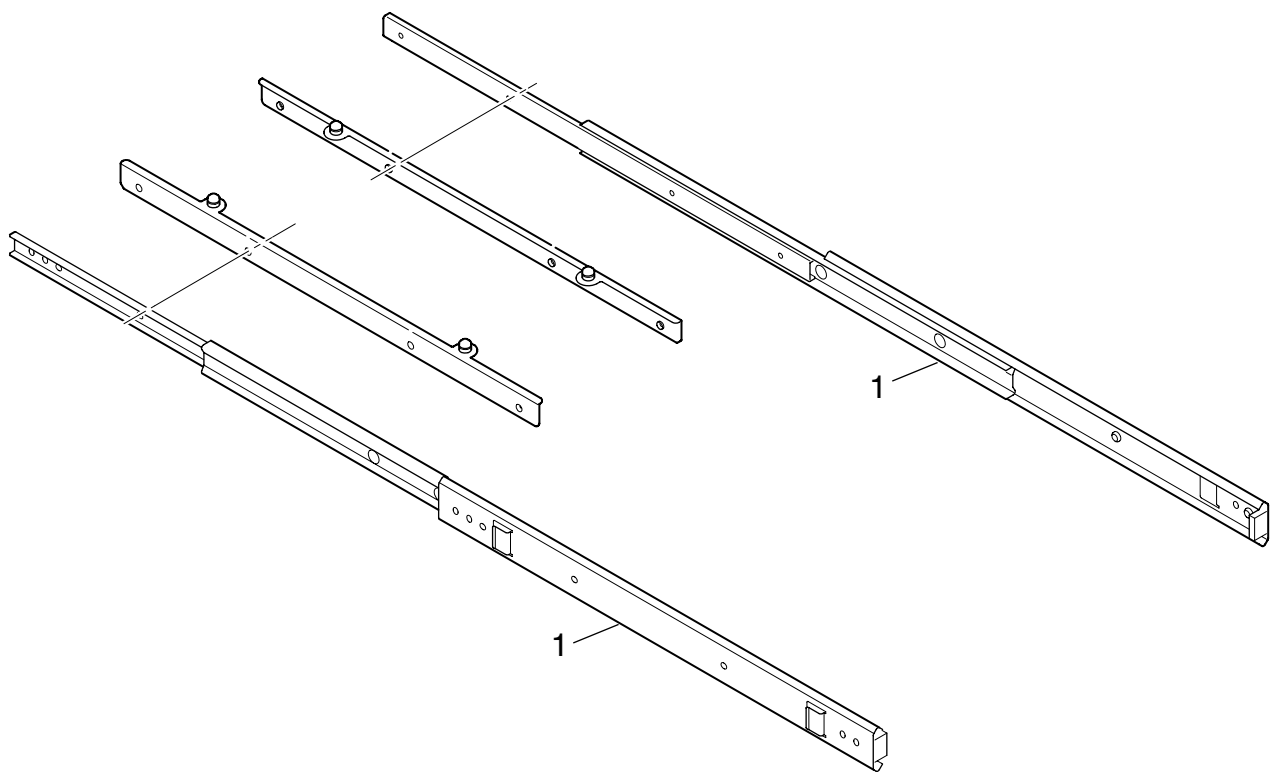
No.	Part No.	Part Name	Q'ty /Unit				Remarks
			Recommended Qty / Year				
			1	500	1000	2000	
1	45171801	Motor-Assy-Geard	1	1	2	4	

# Main-Frame-Assy



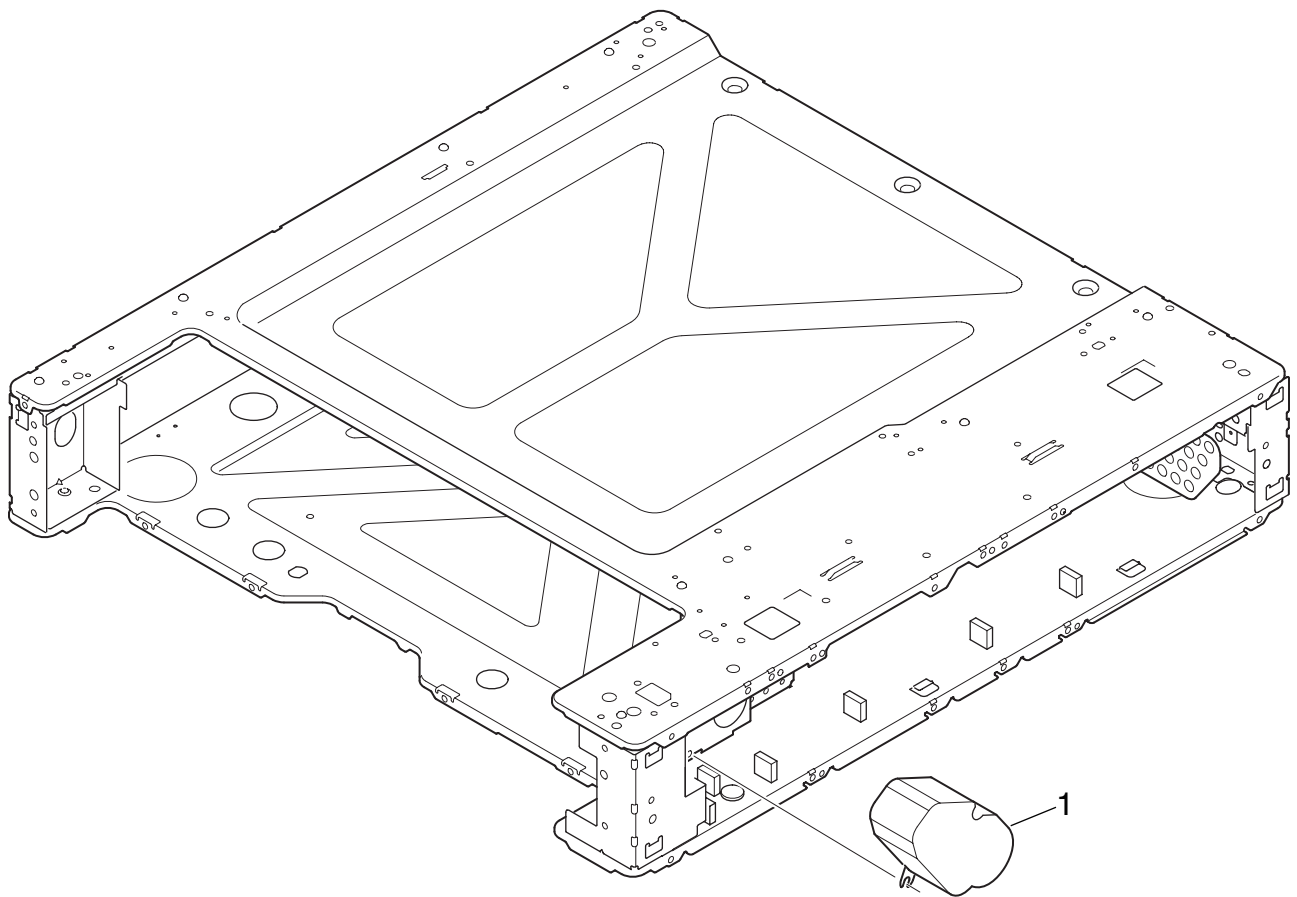
No.	Part No.	Part Name	Q'ty /Unit				Remarks
			Recommended Qty / Year				
			1	500	1000	2000	
1	45173501	Hopping-Unit	2	1	2	4	

# Slide-Rail-Assy-L/R



No.	Part No.	Part Name	Q'ty /Unit				Remarks
			Recommended Qty / Year				
			1	500	1000	2000	
1		Slide-Rail	1	1	2	4	

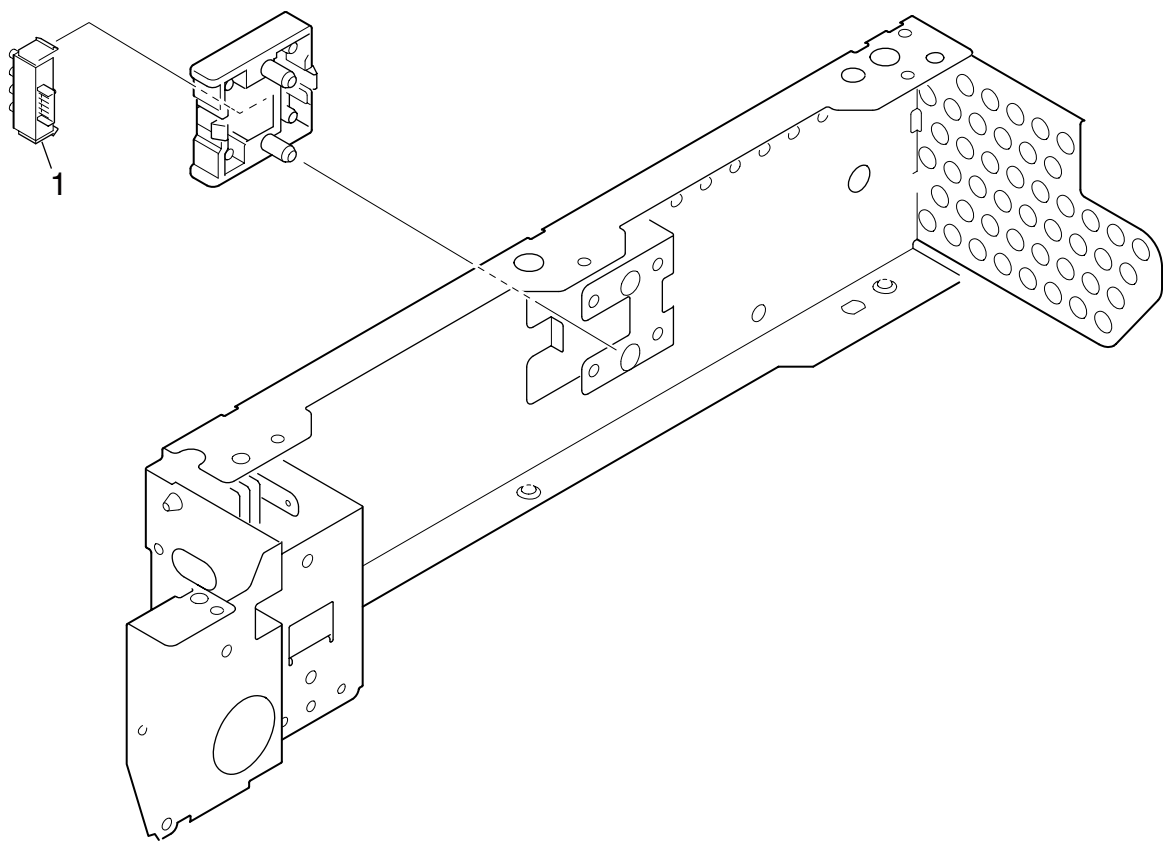
# Plate-Base-Assy



No.	Part No.	Part Name	Q'ty /Unit				Remarks
			Recommended Qty / Year				
			1	500	1000	2000	
1	42694602	Geard-Motor(Optional)	1	1	2	4	

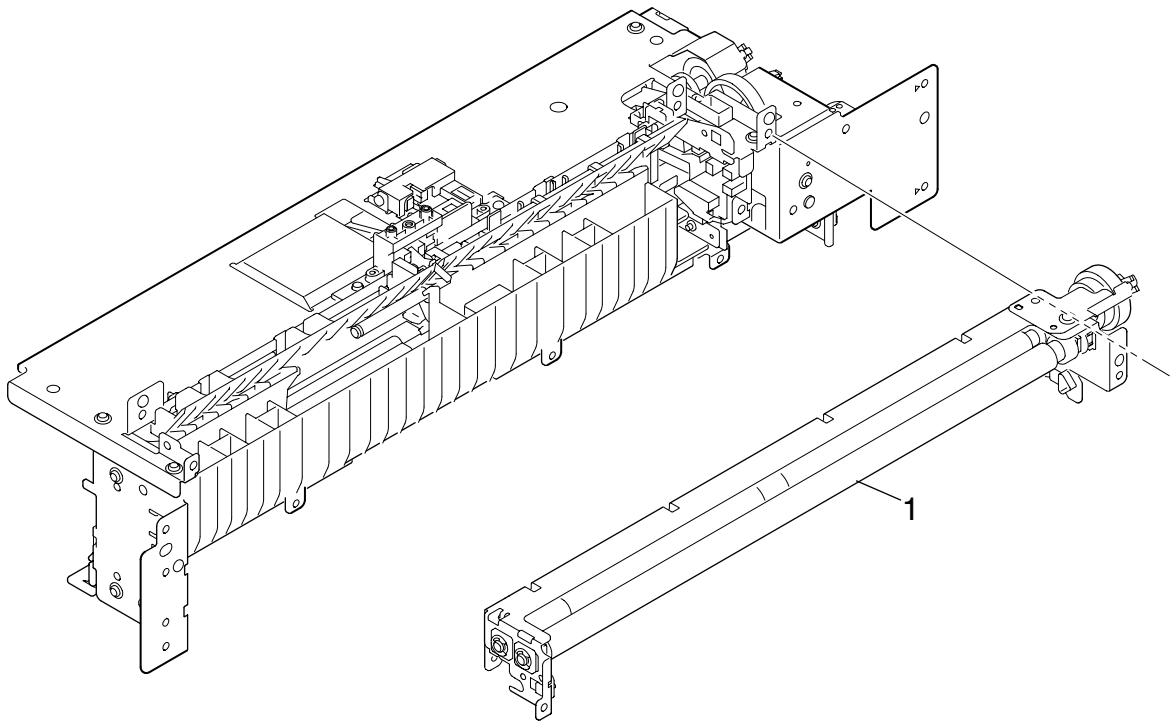


# PS-Sensor-Assy



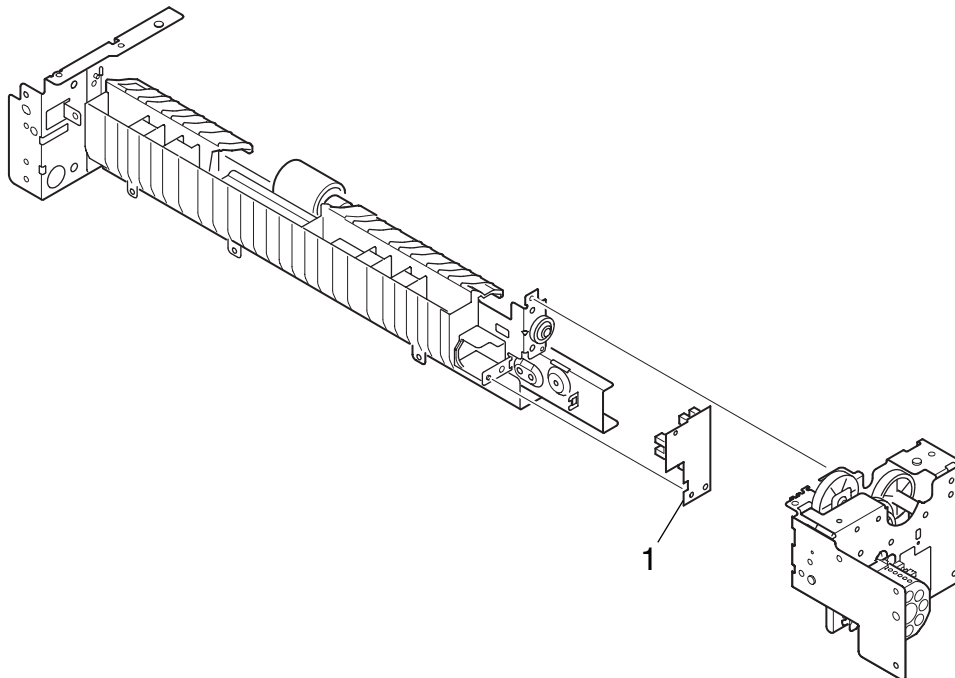
No.	Part No.	Part Name	Q'ty /Unit				Remarks
			Recommended Qty / Year				
			1	500	1000	2000	
1		HS12-0010	1	1	2	4	

# Hopping-Unit



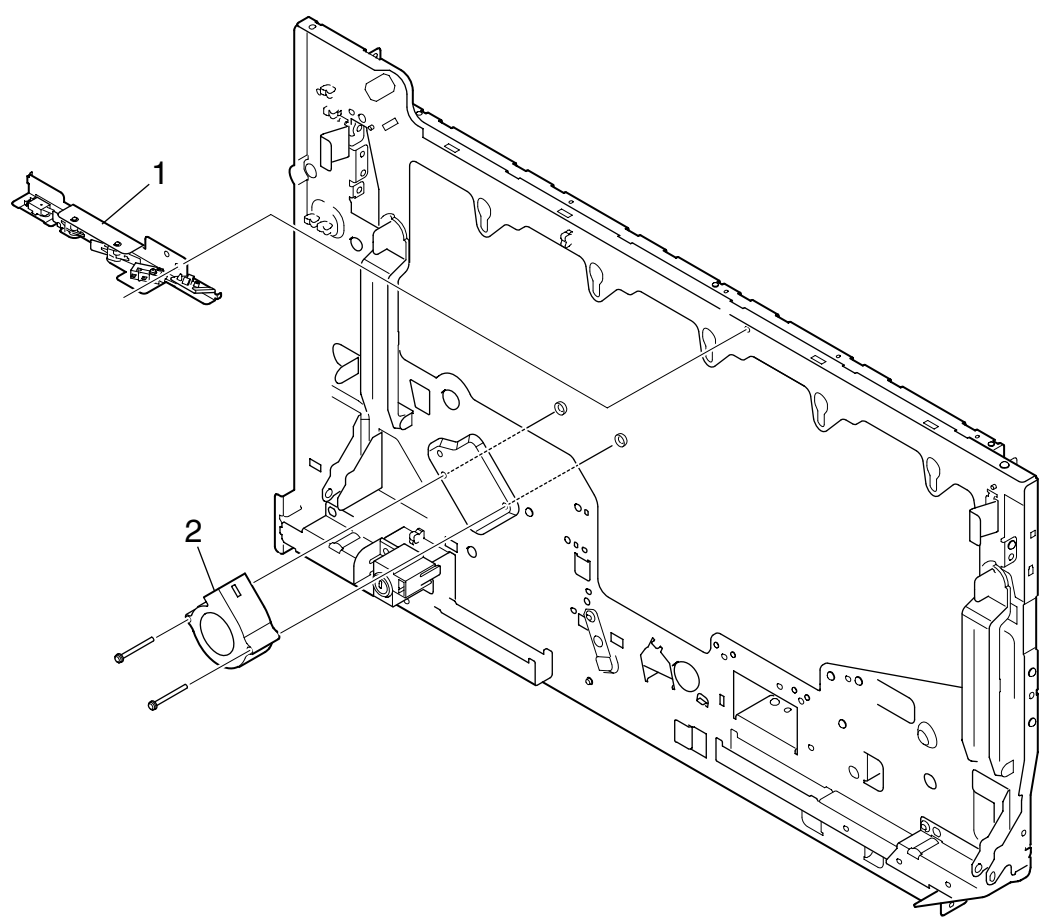
No.	Part No.	Part Name	Q'ty /Unit				Remarks
			Recommended Qty / Year				
			1	500	1000	2000	
1	45177801	Roller-Assy-Regist-T	1	1	2	4	

# Plate-Assy-Retard



No.	Part No.	Part Name	Q'ty /Unit				Remarks
			Recommended Qty / Year				
			1	500	1000	2000	
1	45540401	OR-Board-F1K	1	1	2	4	

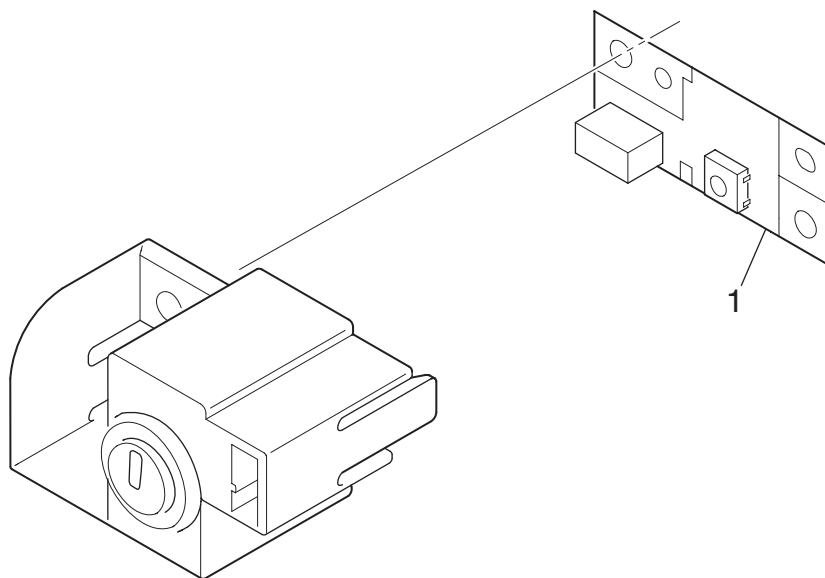
# Plate-Assy-Front



No.	Part No.	Part Name	Q'ty /Unit				Remarks
			Recommended Qty / Year				
			1	500	1000	2000	
1	45188301	Sensor-Assy-Front	1	1	2	4	
2	45552101	Motor-FAN	1	1	2	4	

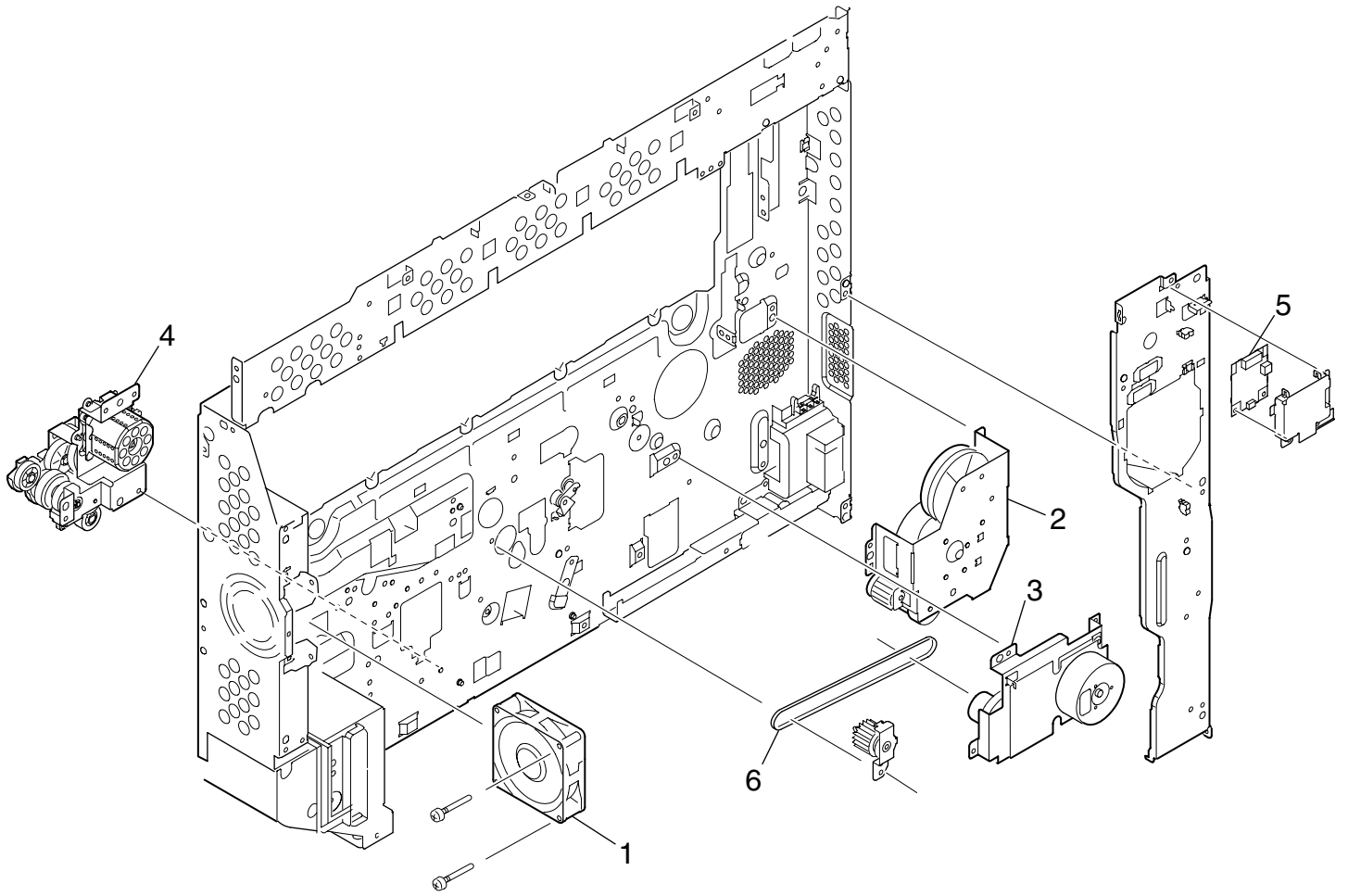


# Holder-Assy-soft SW



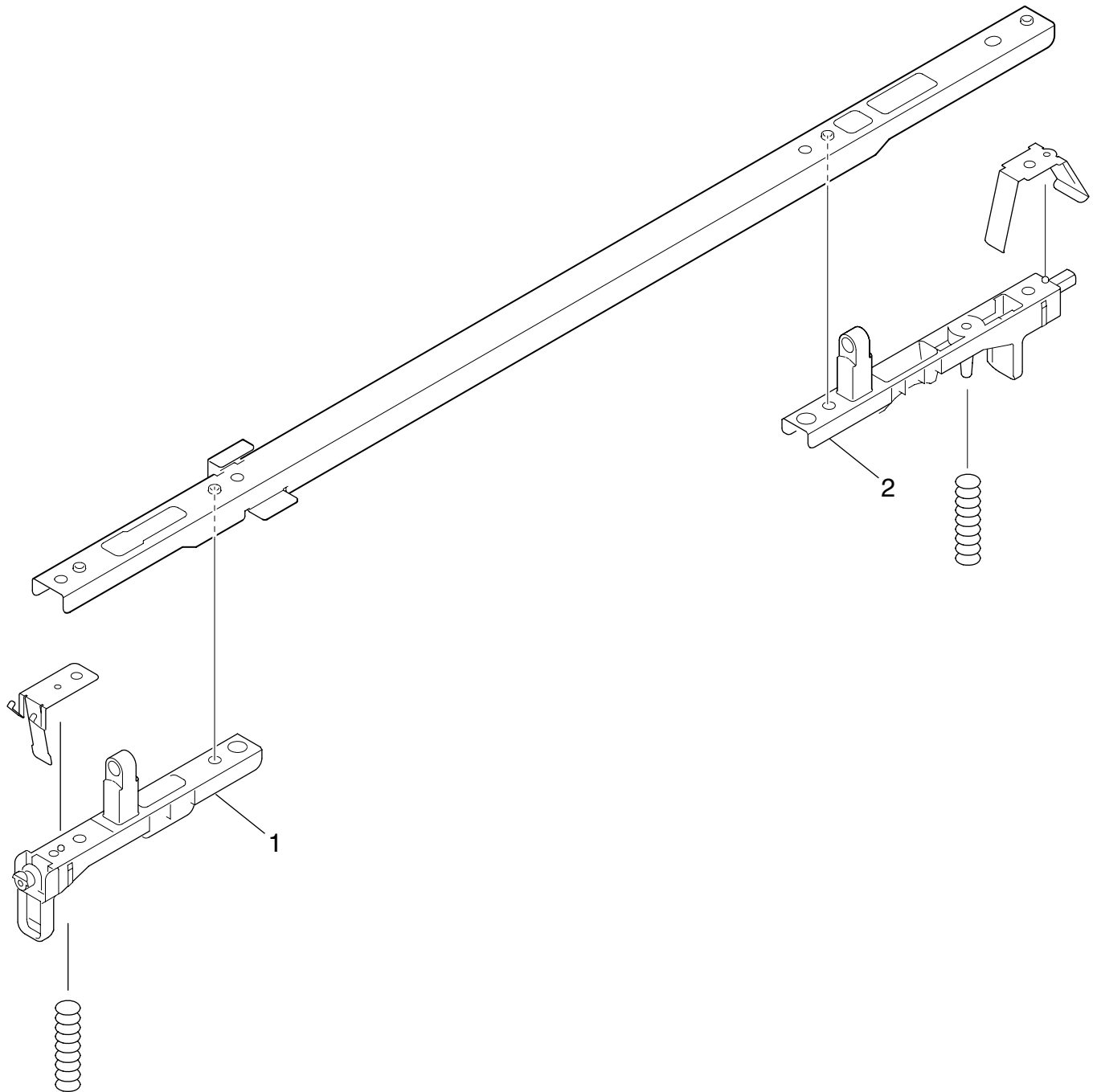
No.	Part No.	Part Name	Q'ty /Unit				Remarks
			Recommended Qty / Year				
			1	500	1000	2000	
1	45540901	OR-Board-F1W	1	1	2	4	

# Plate-Assy-Rear



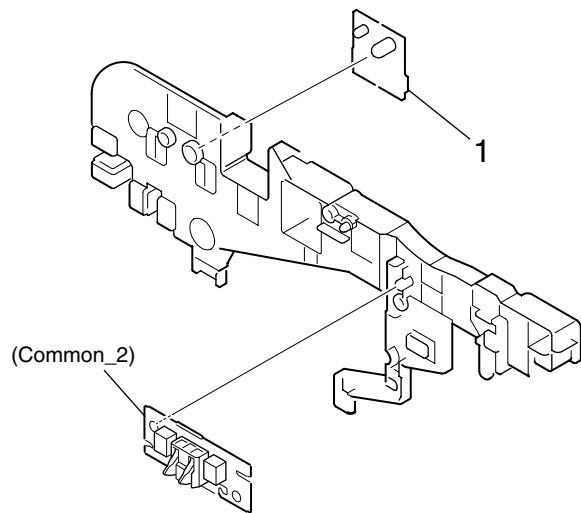
No.	Part No.	Part Name	Q'ty /Unit				Remarks
			Recommended Qty / Year				
			1	500	1000	2000	
1	45180202	Motor-Fan	1	1	2	4	
2	45189701	Belt-Drive-Assy	1	1	2	4	
3	45192101	Fuser-Drive-Assy	1	1	2	4	
4	45192901	Motor Assy.-Regist	1	1	2	4	
5	45085901	Read Write System Contact	1	1	2	4	
6	42846706	Belt-Mini Pitch(B190)	1	1	2	4	

# Holde-Head-Assy



No.	Part No.	Part Name	Q'ty /Unit				Remarks
			Recommended Qty / Year				
			1	500	1000	2000	
1	45206801	Holder-Head-F	1	1	2	4	
2	45206901	Holder-Head-R	1	1	2	4	

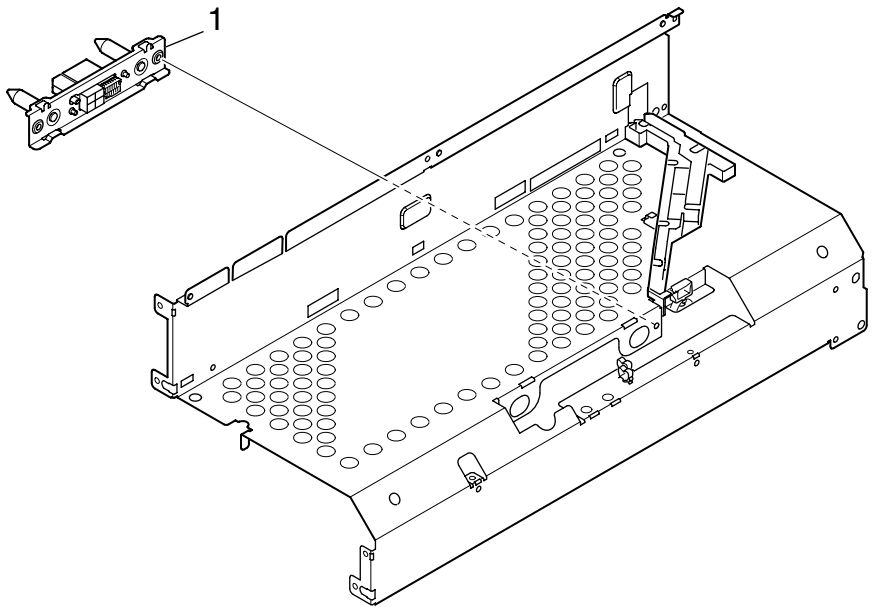
# Sensor-Assy-WT



No.	Part No.	Part Name	Q'ty /Unit				Remarks
			Recommended Qty / Year				
			1	500	1000	2000	
1	45540101	OR-Board-F1N	1	1	2	4	

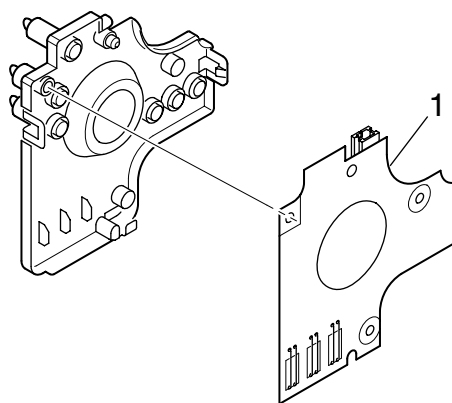


# Plate-Assy-Side-LB



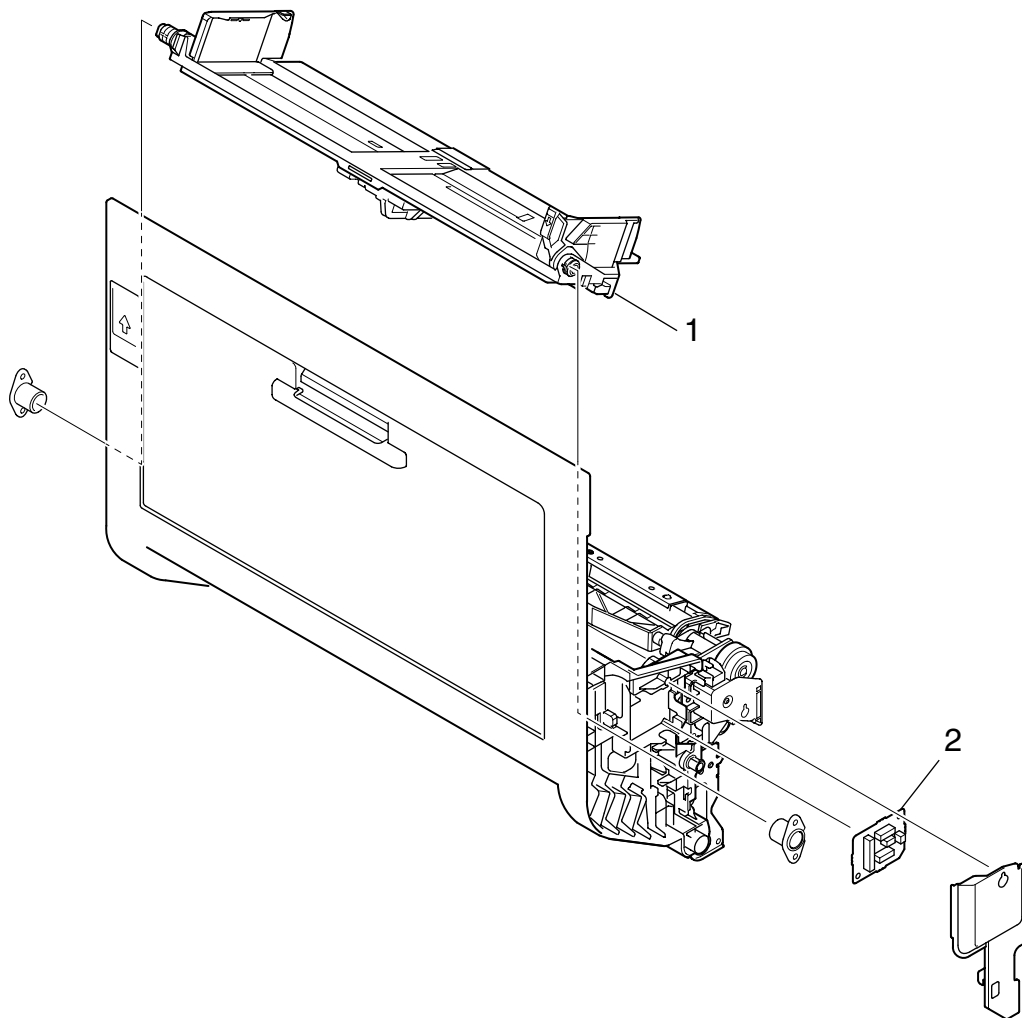
No.	Part No.	Part Name	Q'ty /Unit				Remarks
			Recommended Qty / Year				
			1	500	1000	2000	
1	45198401	CONN-Assy-Fuser	5	1	2	4	

# Contact-Assy



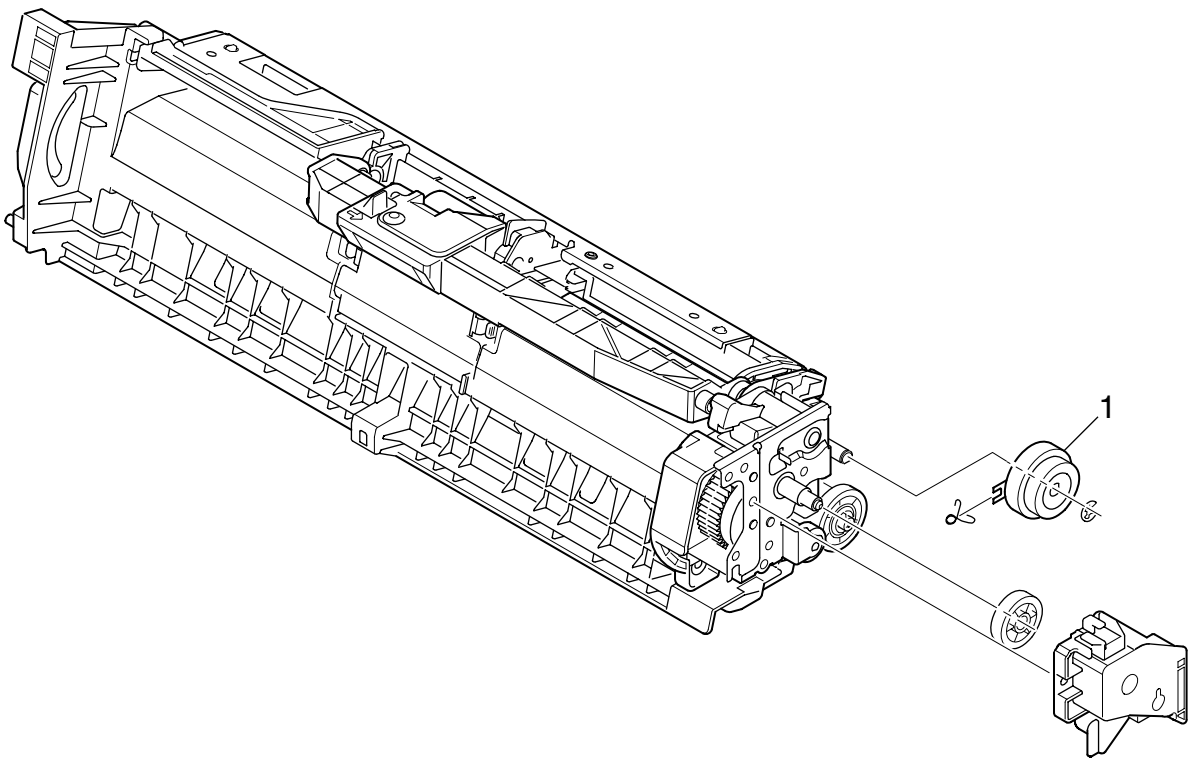
No.	Part No.	Part Name	Q'ty /Unit				Remarks
			Recommended Qty / Year				
			1	500	1000	2000	
1	45449201	OR-Board-AHR	1	1	2	4	

# MPT-Unit



No.	Part No.	Part Name	Q'ty /Unit				Remarks
			Recommended Qty / Year				
			1	500	1000	2000	
1	45220001	Hopper-Assy	1	1	2	4	
2	45540301	OR-Board-F1S	1	1	2	4	

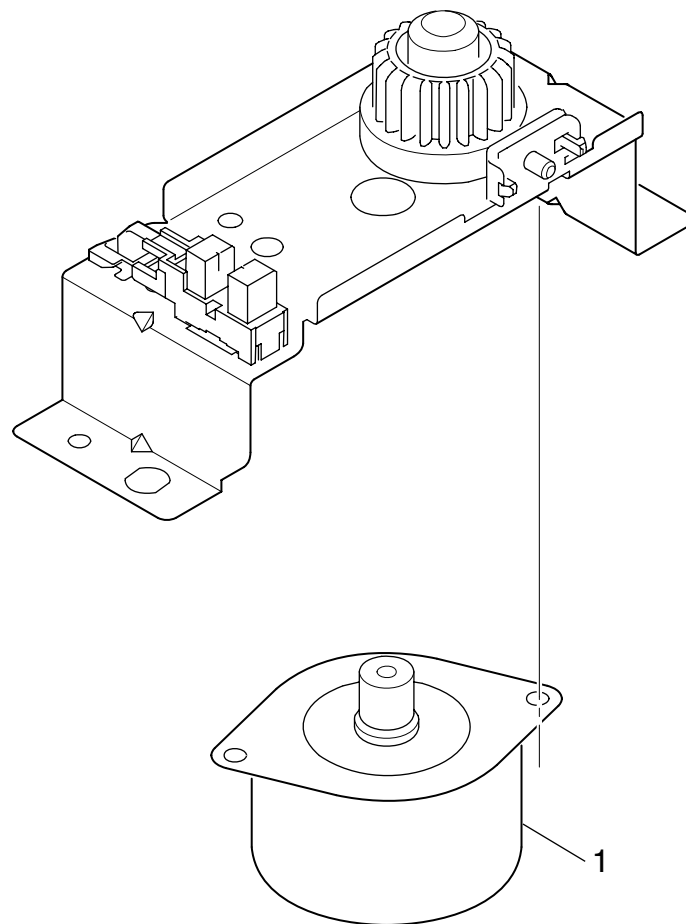
# Feeder-Assy



No.	Part No.	Part Name	Q'ty /Unit				Remarks
			Recommended Qty / Year				
			1	500	1000	2000	
1	45366007	Clutch	1	1	2	4	

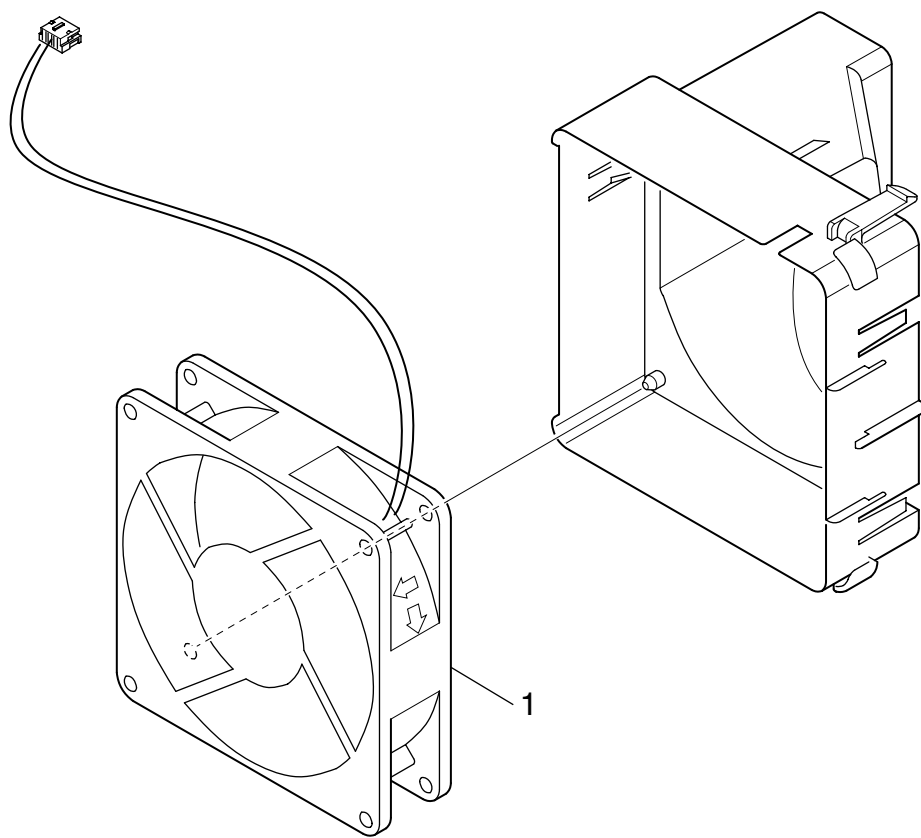


# Motor-Assy-JobOFF



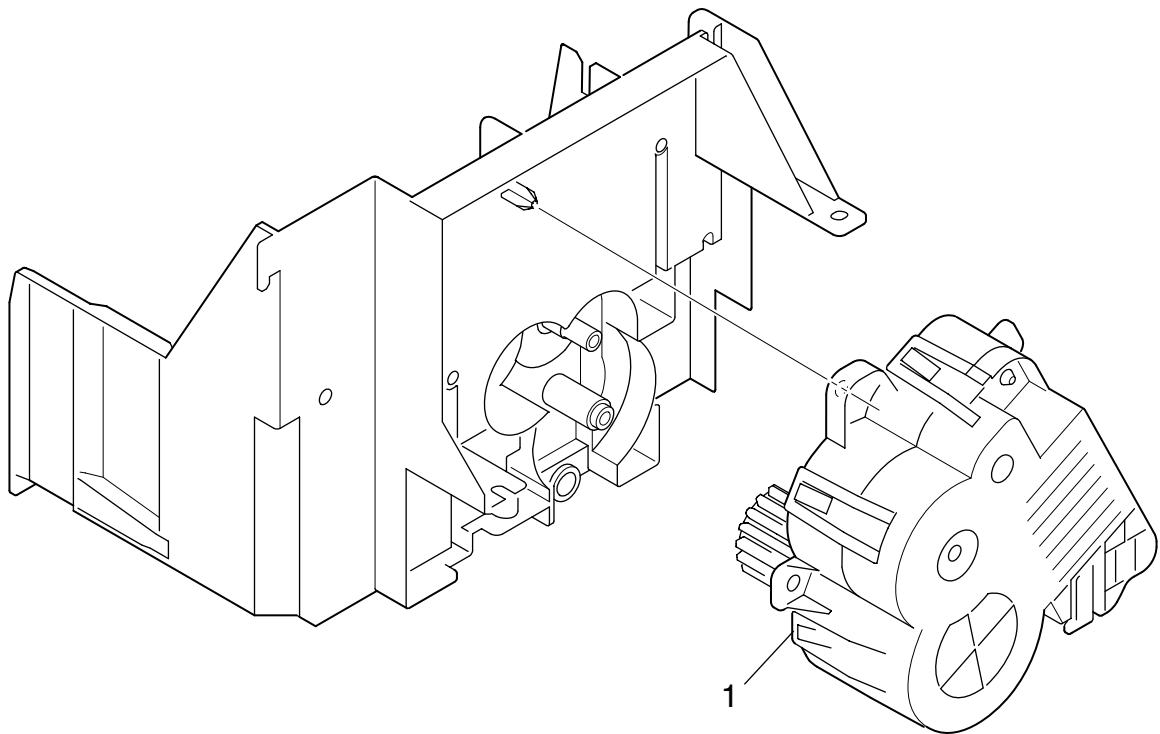
No.	Part No.	Part Name	Q'ty /Unit				Remarks
			Recommended Qty / Year				
			1	500	1000	2000	
1	42058201	Motor-Resist	1	1	2	4	

# Motor-Assy-FAN



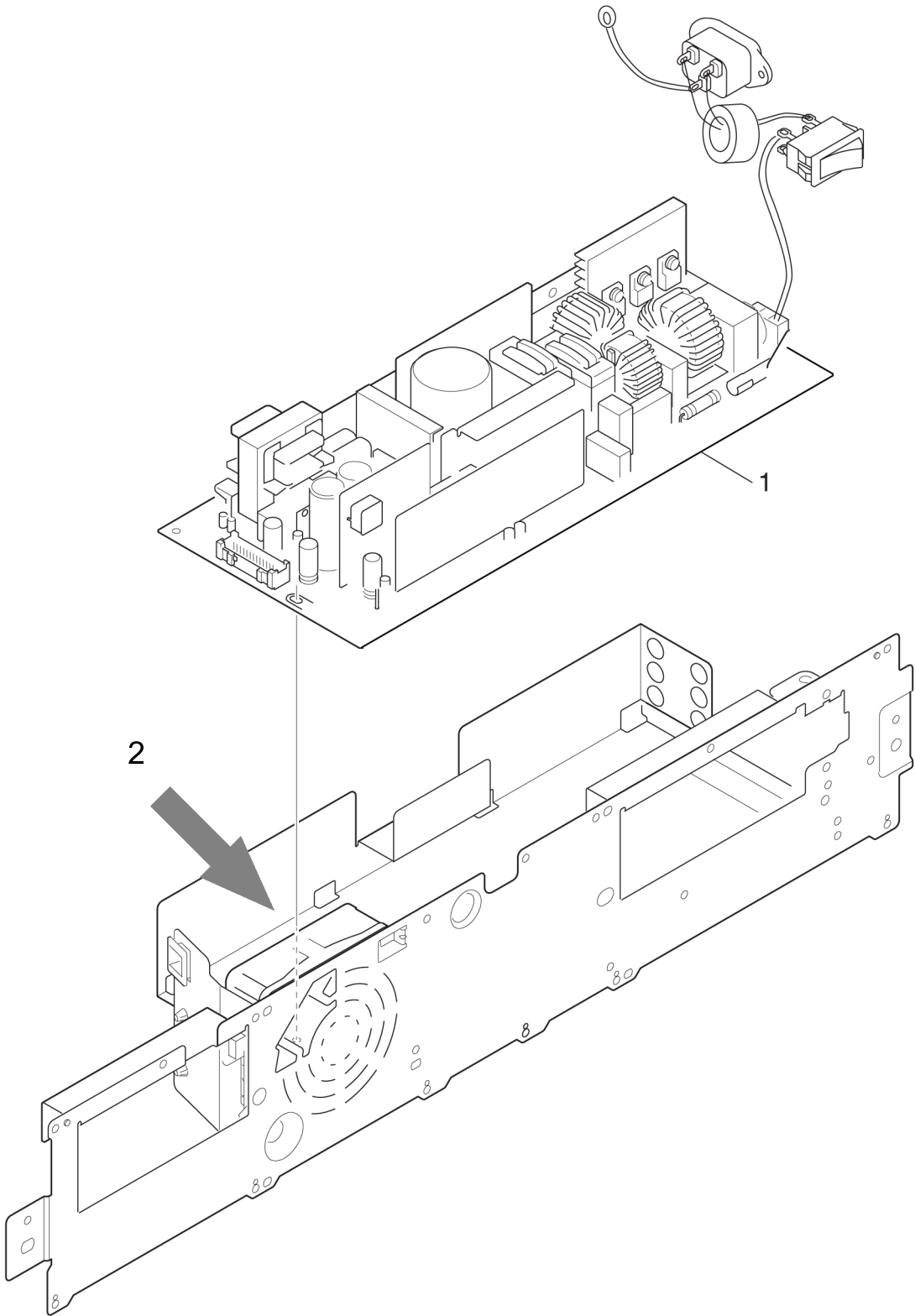
No.	Part No.	Part Name	Q'ty /Unit				Remarks
			Recommended Qty / Year				
			1	500	1000	2000	
1	42781702	Motor-Fan	1	1	2	4	

# Frame-Assy-TC-R



No.	Part No.	Part Name	Q'ty /Unit				Remarks
			Recommended Qty / Year				
			1	500	1000	2000	
1	45171801	Motor-Assy-Geard	1	1	2	4	

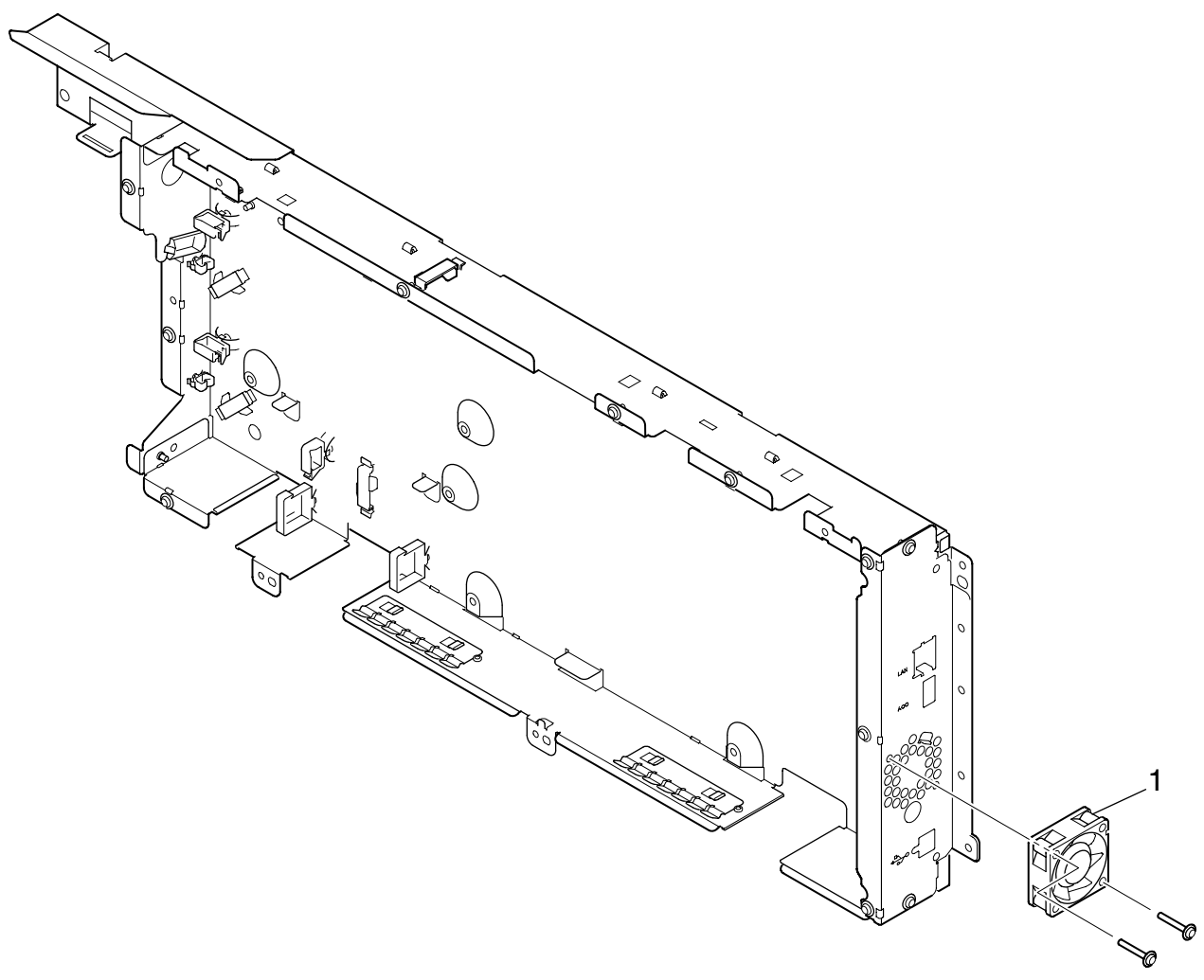
# Board-Power-Sub-Assy



No.	Part No.	Part Name	Q'ty /Unit				Remarks
			Recommended Qty / Year				
			1	500	1000	2000	
1	44978701	PWR unit-ACDC Switch	1	1	2	4	
2	45180201	Motor-Fan	1	1	2	4	

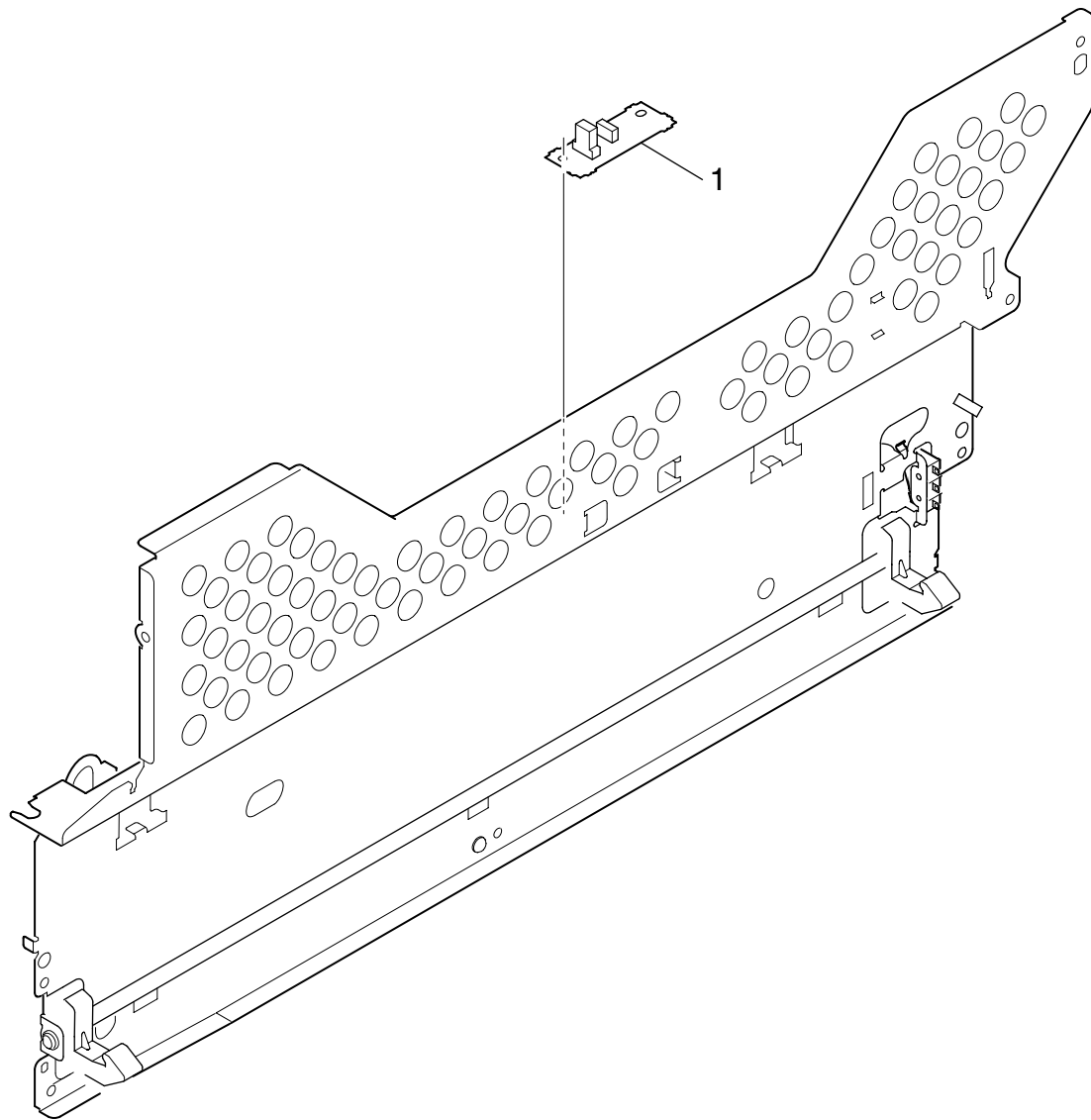


# Box-Main-PCB-Assy



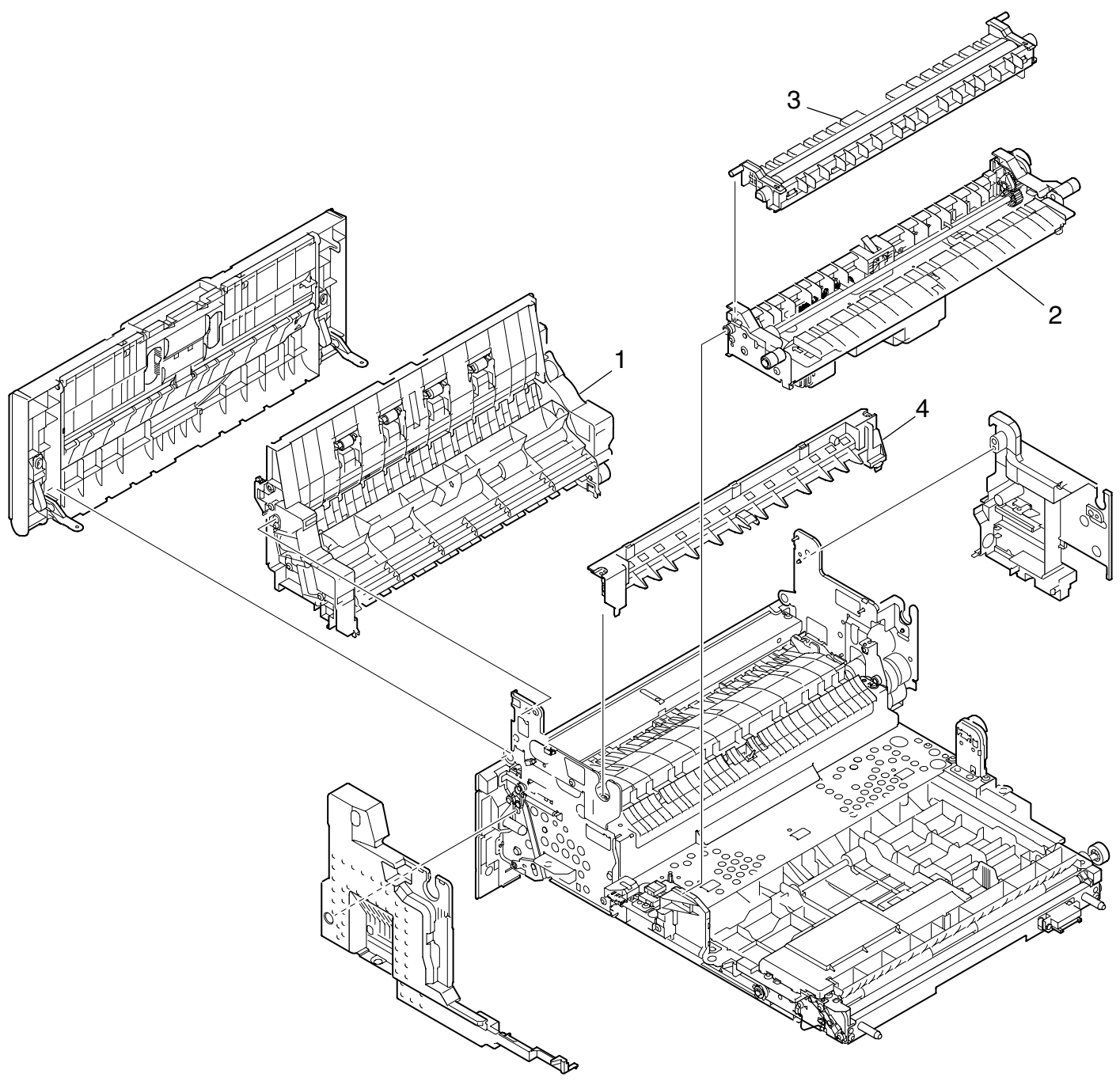
No.	Part No.	Part Name	Q'ty /Unit				Remarks
			Recommended Qty / Year				
			1	500	1000	2000	
1		D04R-24TH68B(EX)	1	1	2	4	

# Plate-Assy-Side-RA



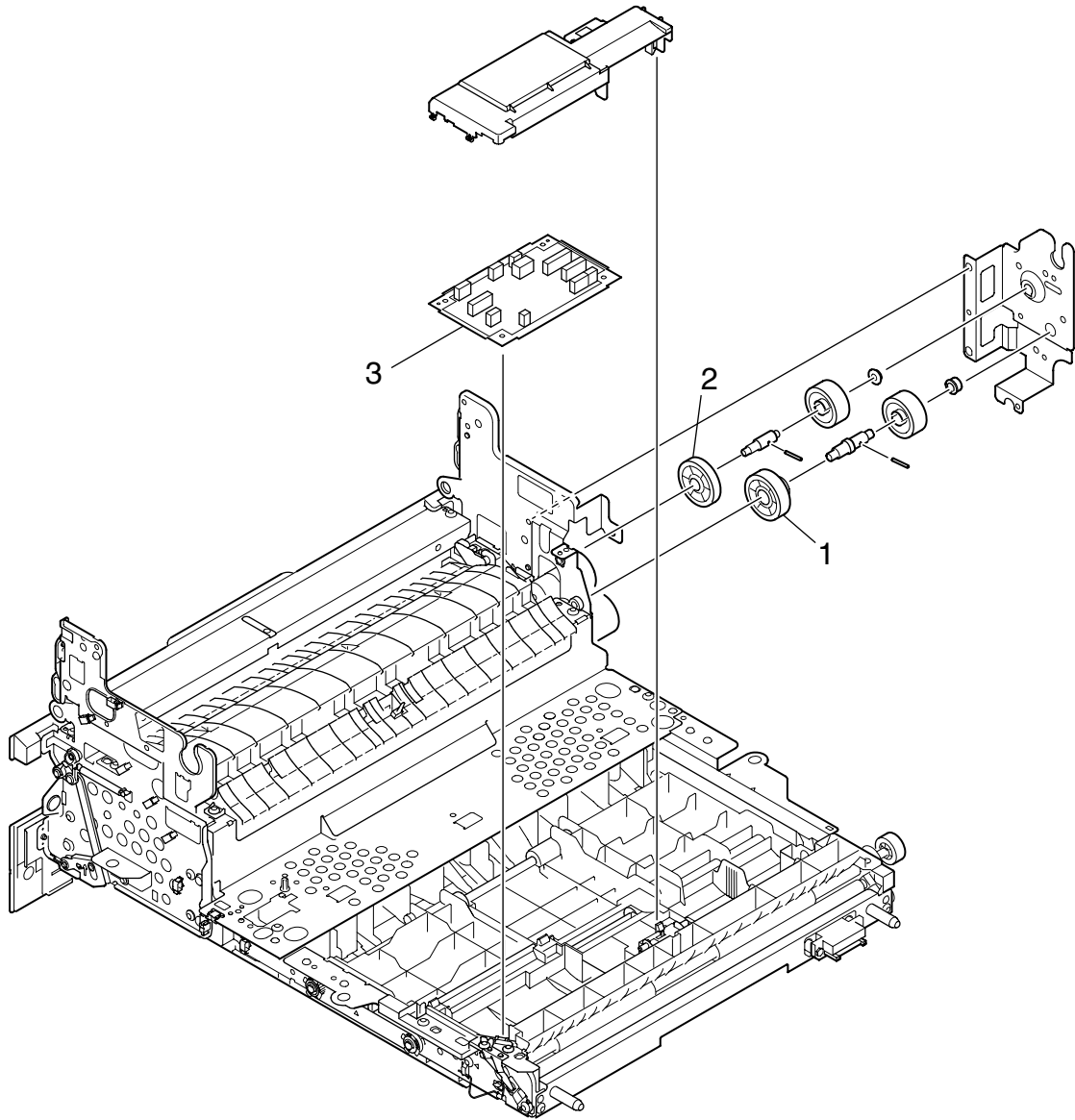
No.	Part No.	Part Name	Q'ty /Unit				Remarks
			Recommended Qty / Year				
			1	500	1000	2000	
1	45169301	OR-MFH	1	1	2	4	

# EJ-Rail-Assy



No.	Part No.	Part Name	Q'ty /Unit				Remarks
			Recommended Qty / Year				
			1	500	1000	2000	
1	45235201	Guide-Assy-Eject-Lower	1	1	2	4	For 4color
1	45235202	Guide-Assy-Eject-Lower-SP	1	1	2	4	For 5color
2		Frame-Assy.-TR2	1	1	2	4	
3		Roller-Assy.-TR2	1	1	2	4	
4	45246501	Decurl-Assy	1	1	2	4	
5		Frame-Assy.-TR2	1	1	2	4	

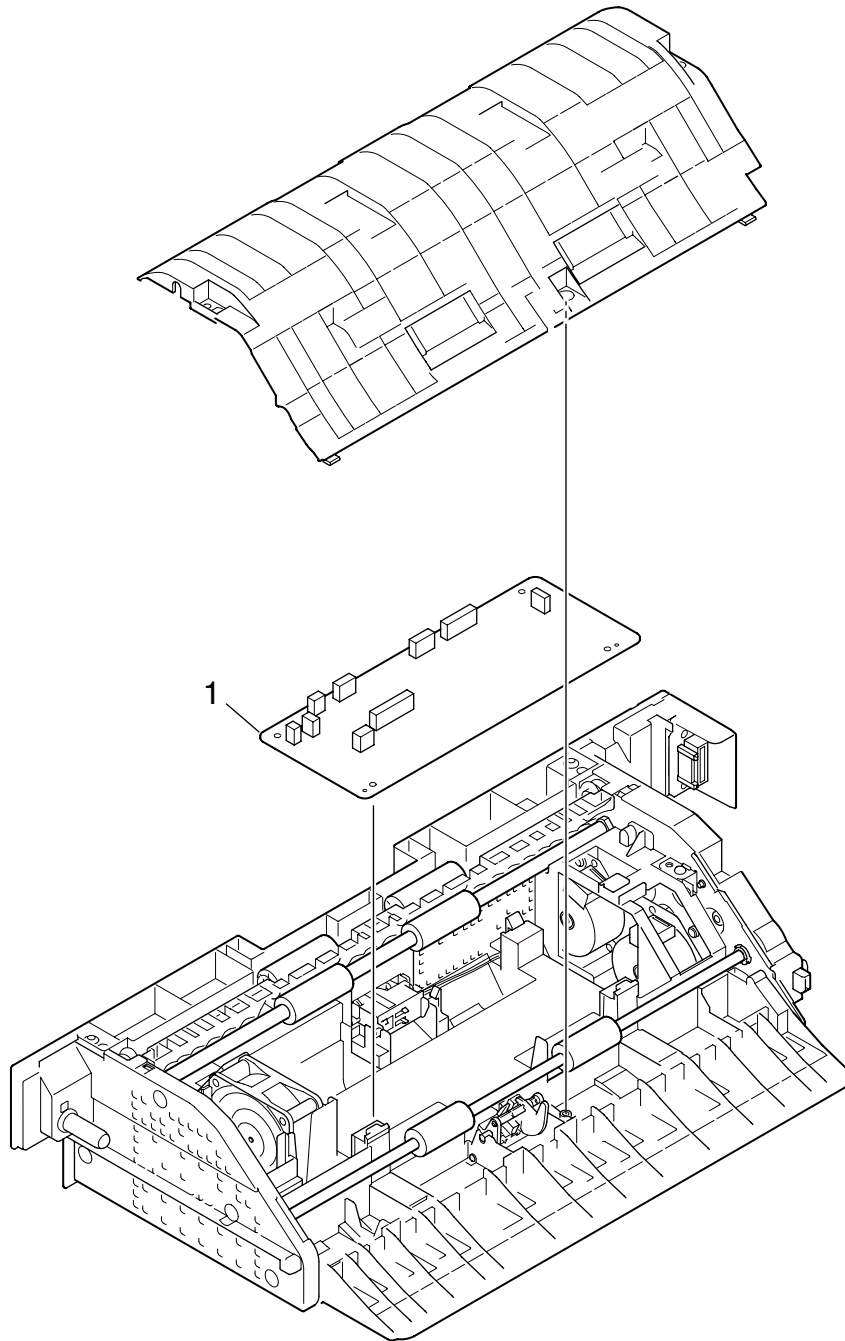
# LSD-Unit



No.	Part No.	Part Name	Q'ty /Unit				Remarks
			Recommended Qty / Year				
			1	500	1000	2000	
1	45470301	Gear-Assy-Oneway-Z33	1	1	2	4	
2	45470401	Gear-Assy-Oneway-Z33-R	1	1	2	4	
3	45540501	OR-Board-F1L	1	1	2	4	

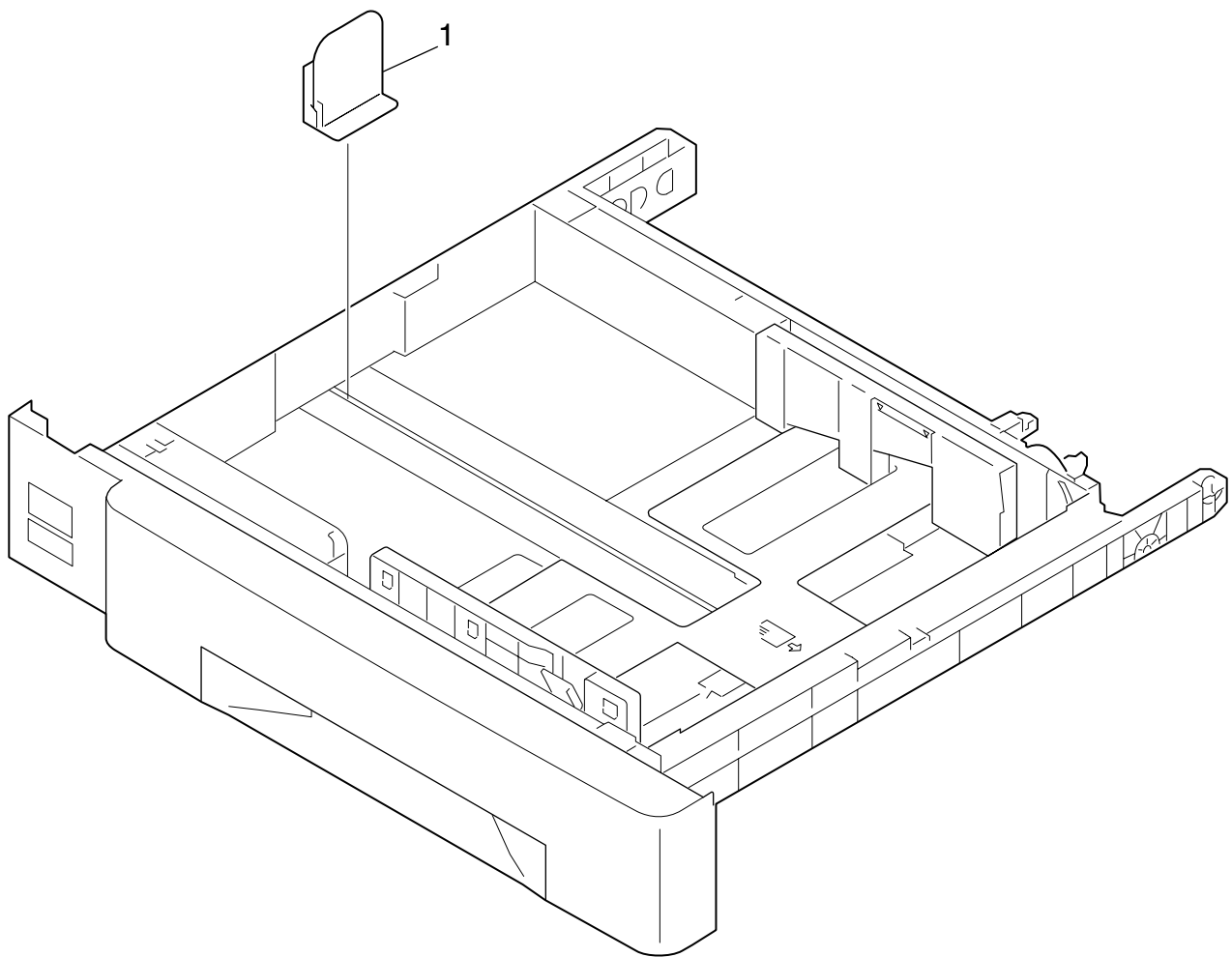


# Duplex-Unit



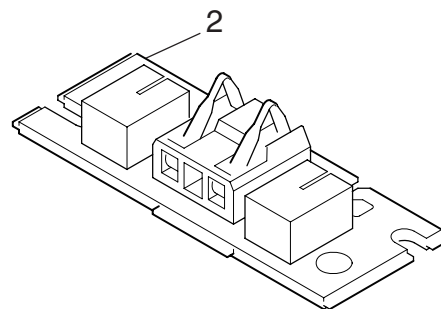
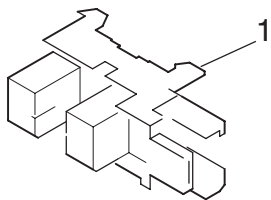
Unit Name	No.	Part No.	Part Name	Q'ty /Unit				Remarks
				Recommended Qty / Year				
				1	500	1000	2000	
Duplex-Unit	1	45700002	PX753 F1T-1 maintenance board	1	1	2	4	

### Case-Cassette-Assy



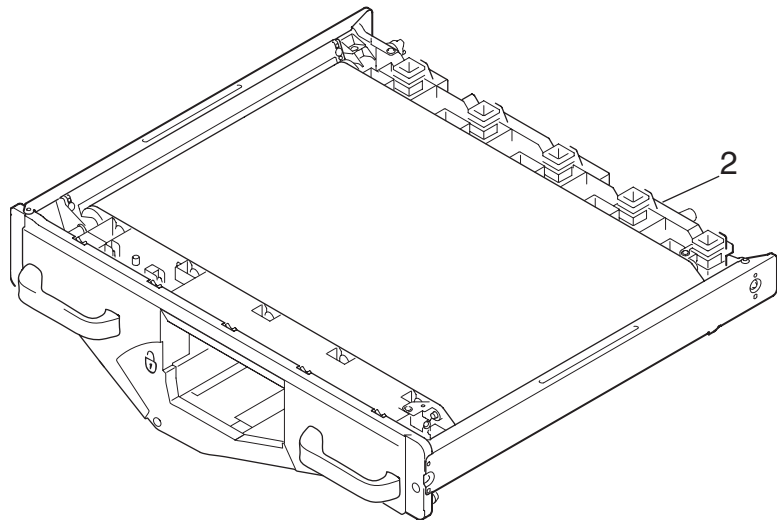
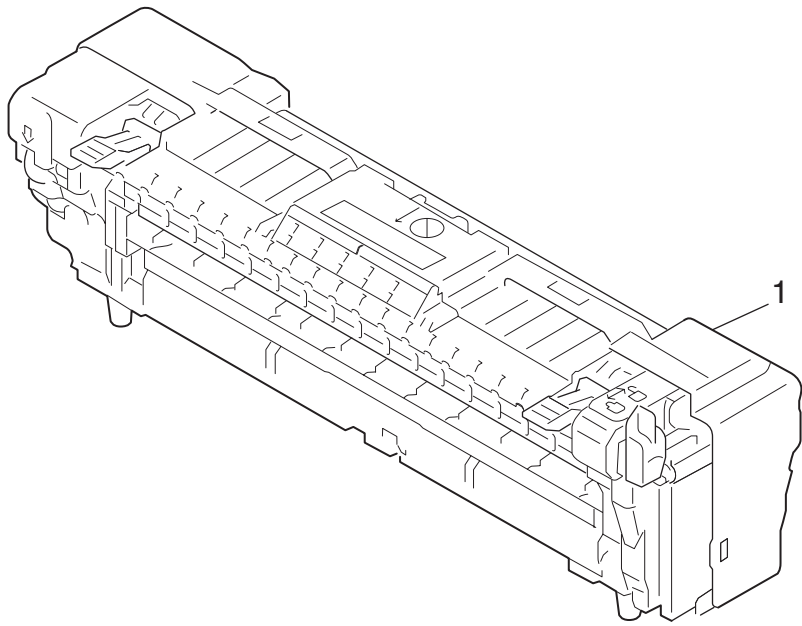
No.	Part No.	Part Name	Q'ty /Unit				Remarks
			Recommended Qty / Year				
			1	500	1000	2000	
1	42717003	Guide Assy.-Tail	28	1	2	4	

# Common

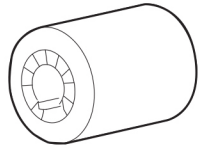


No.	Part No.	Part Name	Q'ty /Unit				Remarks
			Recommended Qty / Year				
			1	500	1000	2000	
1		GP1A173LCS2F	12	5	10	20	
2	45540601	OR-Board-F1G	1	5	10	20	

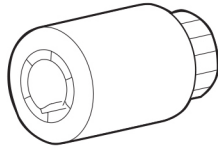
### Consumable -1



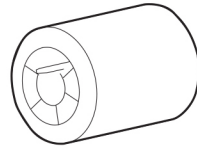
### Consumable -2



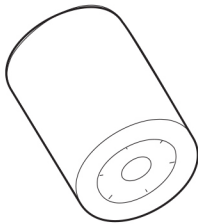
3



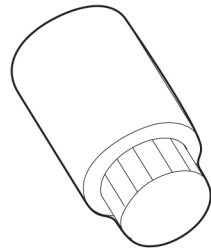
4



5



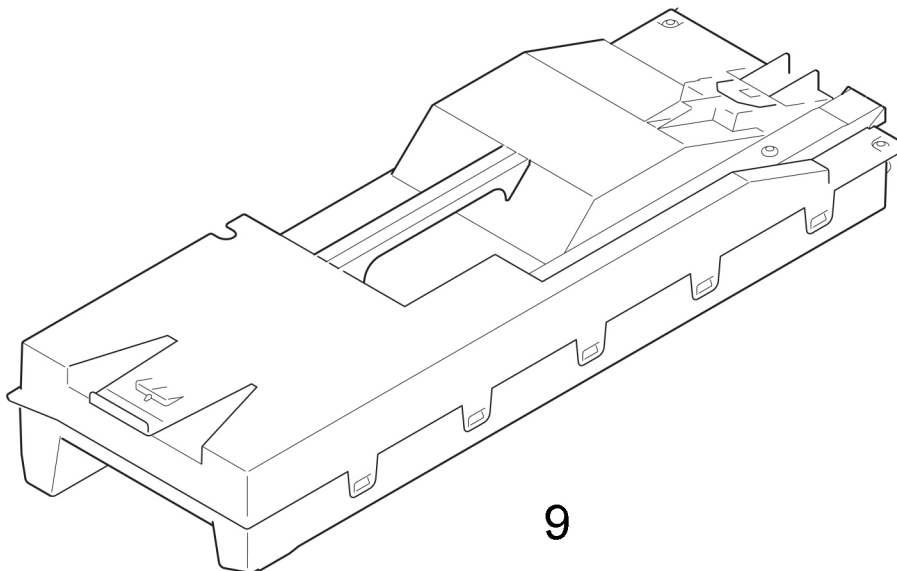
6



7



8

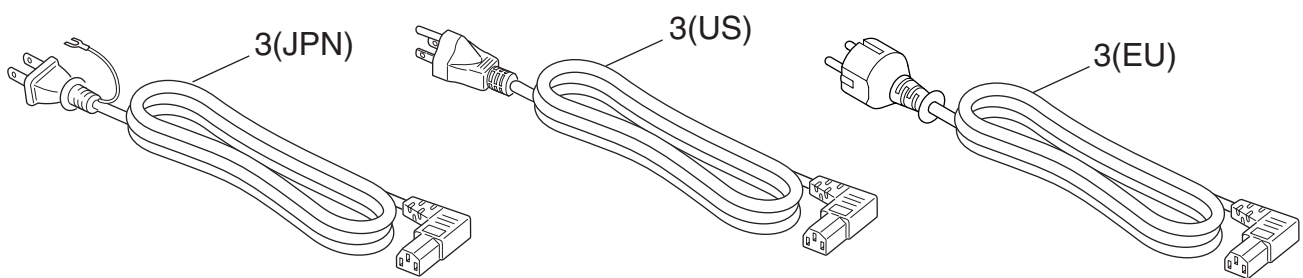
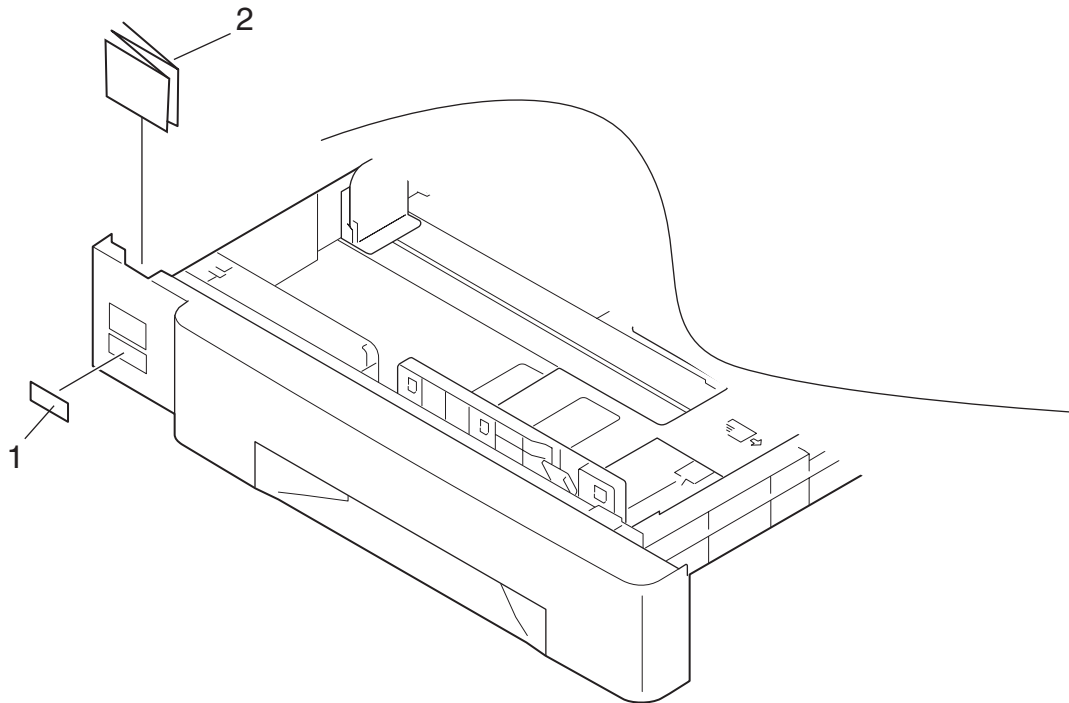


9



No.	Part No.	Part Name	Q'ty /Unit				Remarks
			Recommended Qty / Year				
			1	500	1000	2000	
1	45531111	Fuser-Unit-PX753-100V-Consumable	1	2	4	8	JPN
1	45531112	Fuser-Unit-PX753-120V-Consumable	1	2	4	8	ODA/ODB
1	45531113	Fuser-Unit-PX753-230V-Consumable	1	1	4	8	OEL/ODLA/AOS1
2	45531212	Belt-Unit-PX753(ODA)	1	2	4	8	ODA/ODB/ODLA
3	41766501	Feed Tire - Paper Tray	1	2	4	8	Paper Tray Roller
4	42699401	Feed Tire - Paper Tray	1	2	4	8	Paper Tray Roller
5	43000601	Feed Tire - Paper Tray	1	1	2	4	Paper Tray Roller
6	44750301	Feed Tire - Multi-Purpose Tray	1	1	2	4	Multi-Purpose Tray Roller
7	42954401	Feed Tire - Multi-Purpose Tray	1	1	2	4	Multi-Purpose Tray Roller
8	44732301	Feed Tire - Multi-Purpose Tray	1	1	2	4	Multi-Purpose Tray Roller
5	45531502	Box-Waste-Toner- PX753(ODA)	1	2	4	8	ODA/ODB/ODLA
5		Box-Waste-Toner-PX753(OEL)	1	2	4	8	OEL/AOS1byte
5		Box-Waste-Toner-PX753	1	2	4	8	AOS2byte

### Appended parts



No.	Part No.	Part Name	Q'ty /Unit				Remarks
			Recommended Qty / Year				
			1	500	1000	2000	
1		Label-Tray	1	1	2	4	
2	45560101	Indicator-Paper-Size	1	1	2	4	
3		CONN Cord-AC(JPN)	1	1	2	4	
3		CONN Cord-AC(US)	1	1	2	4	
3		CONN Cord-AC Cord Set (EU)		1	2	4	