

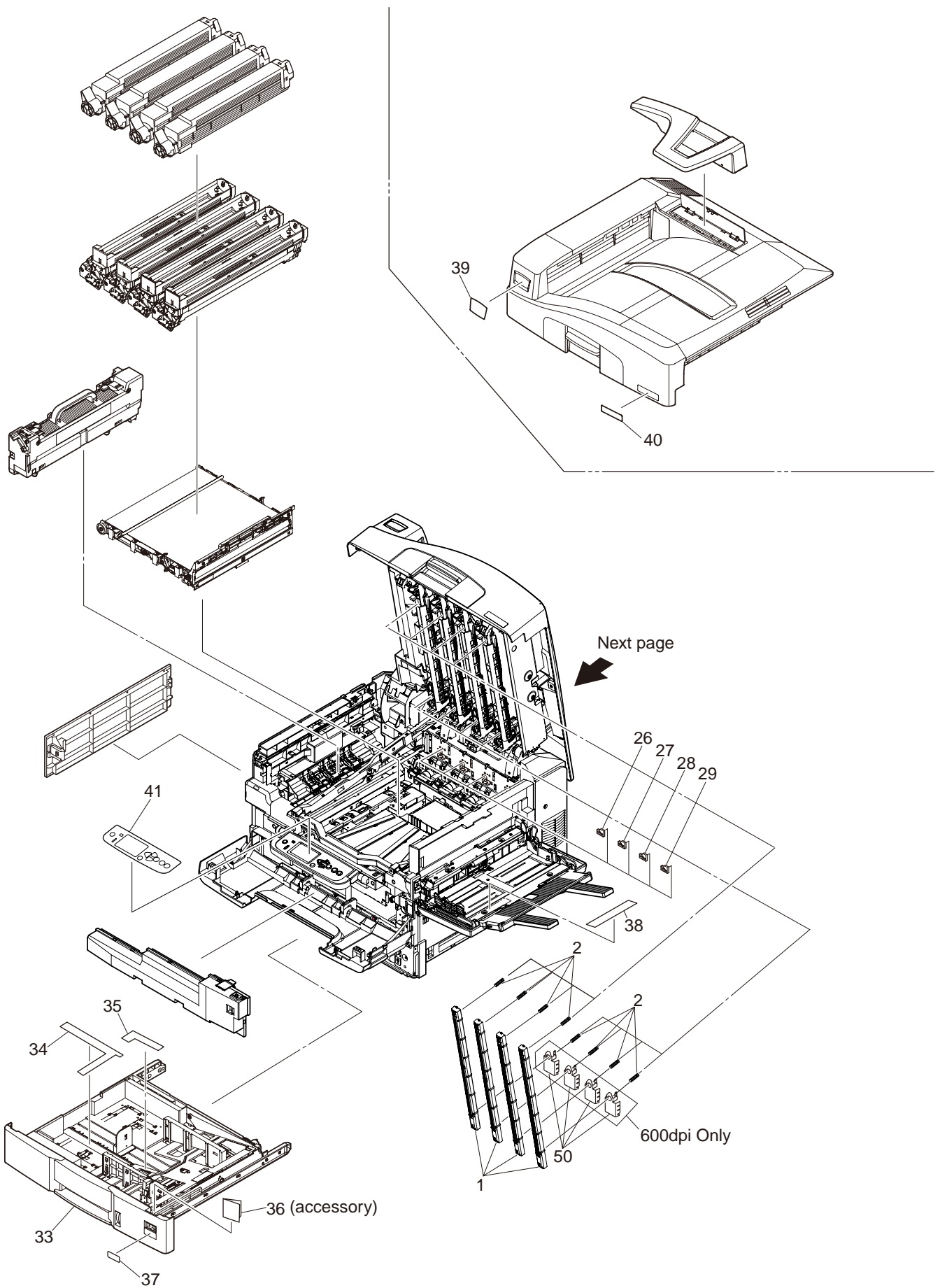
OEL Spare Parts Drawing

C910/C910DM/C920WT/
ES9410/ ES9410DM/ES9420WT

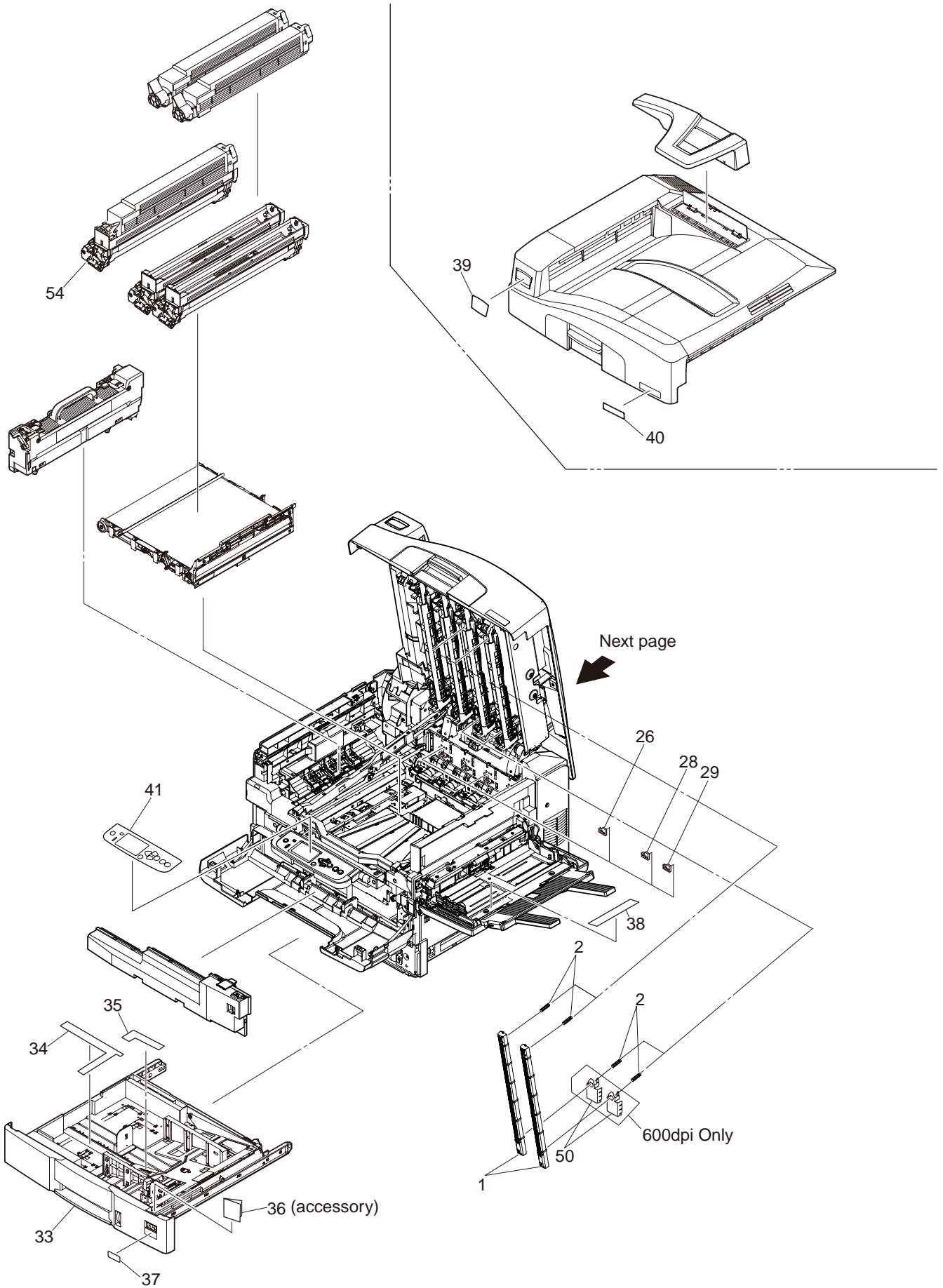


Revision 7

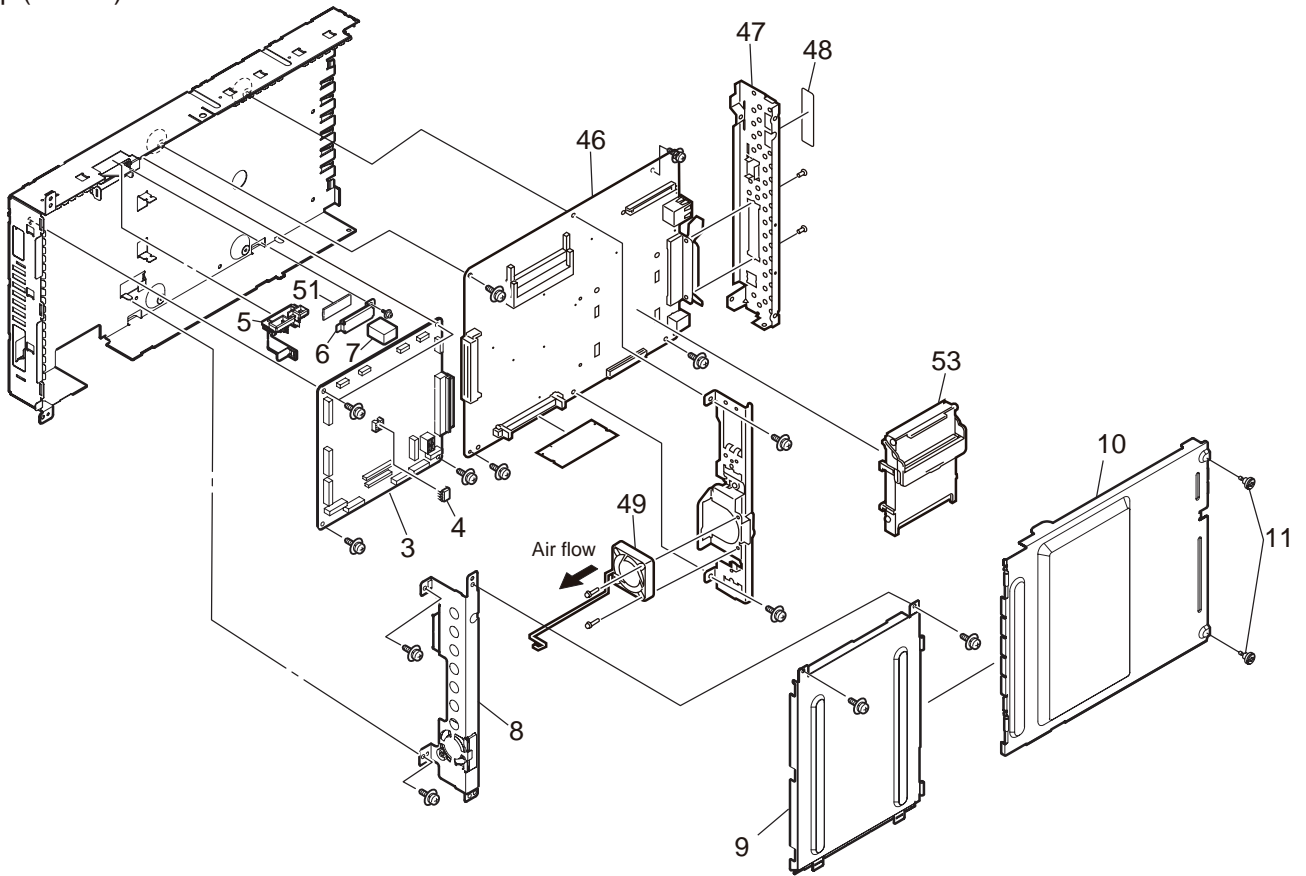
MAIN



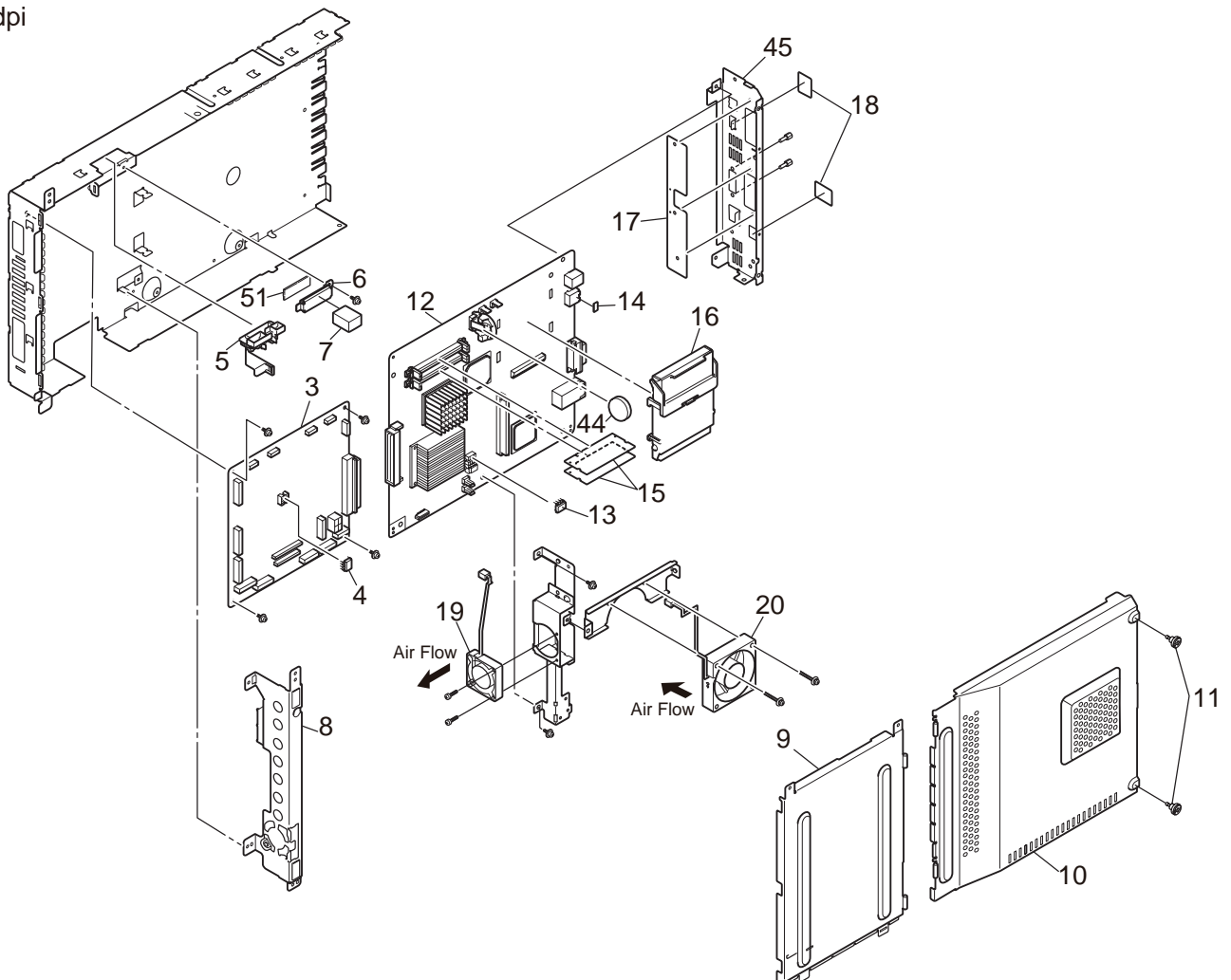
MAIN for C910RB



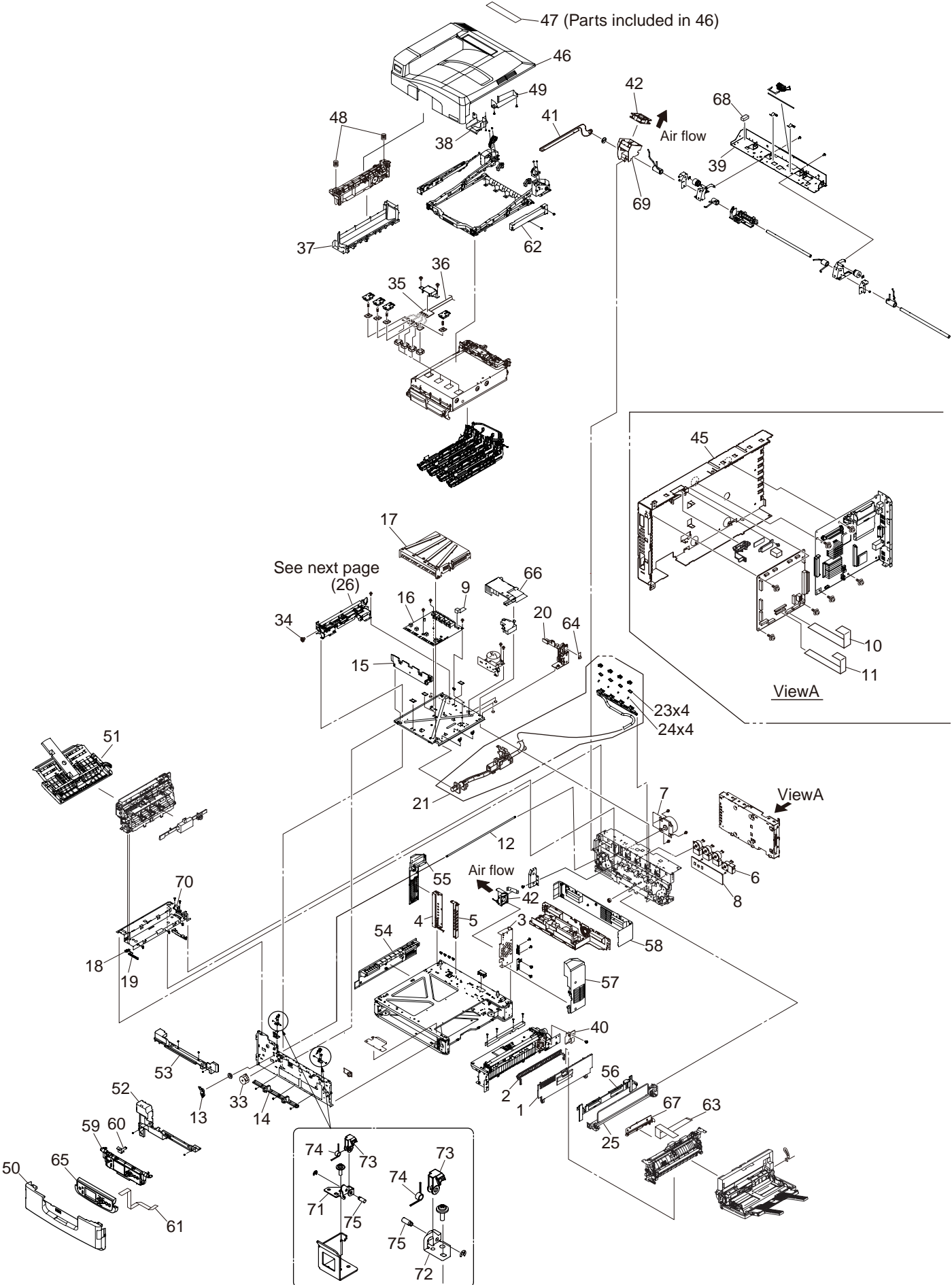
600dpi(Printer)



1200dpi



Printer-Unit (42692514/42692515/42692517) 1/2



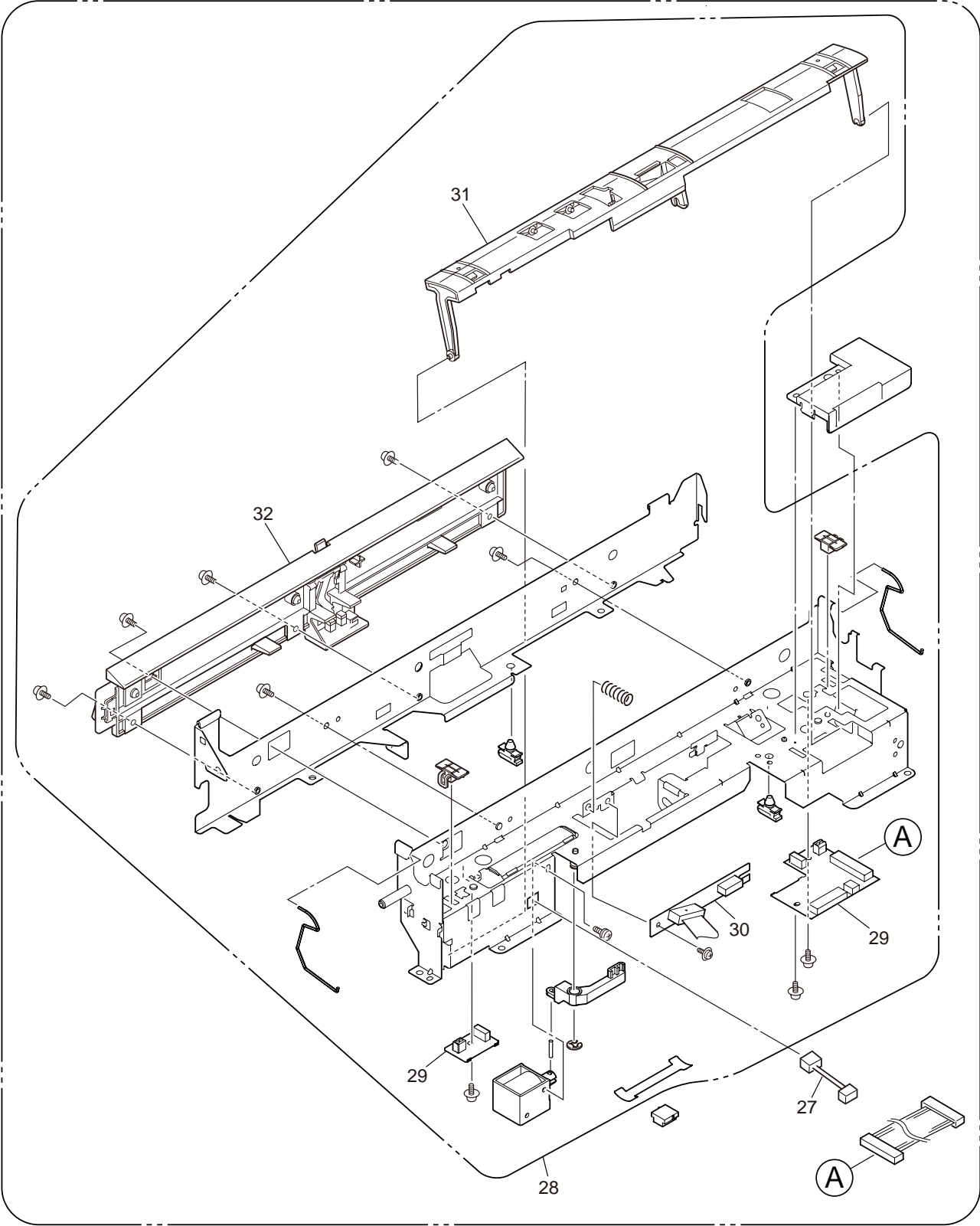
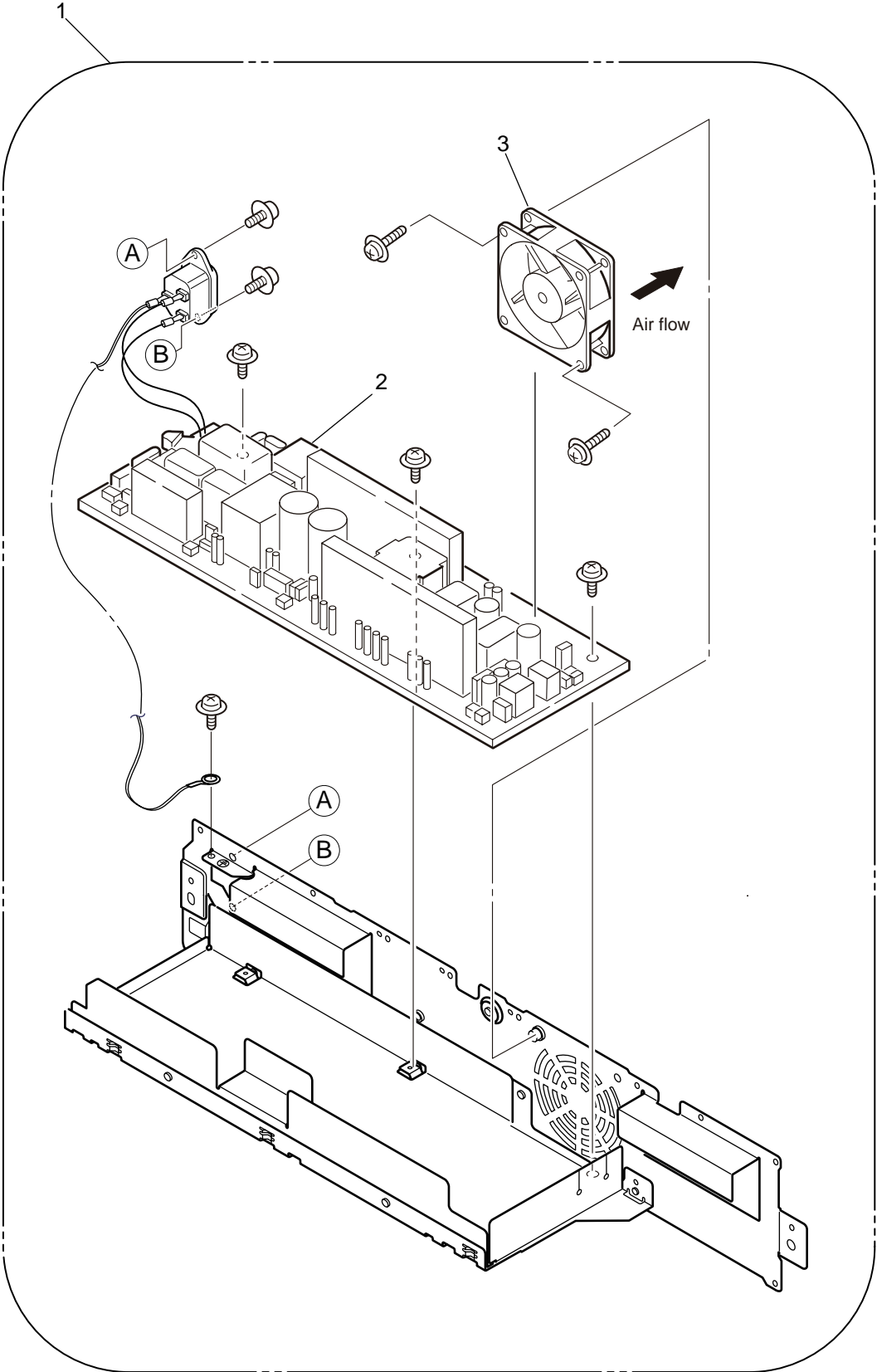
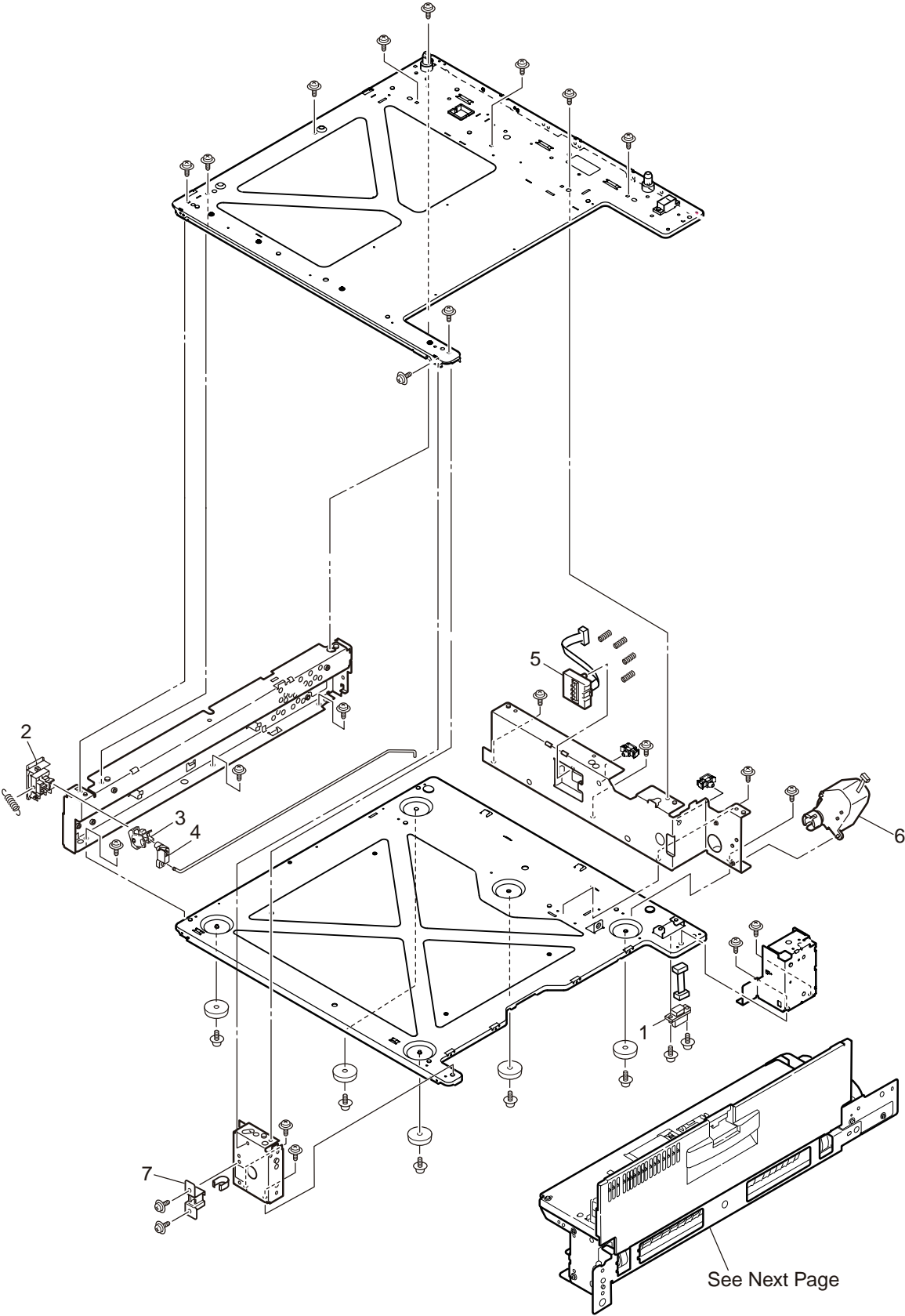


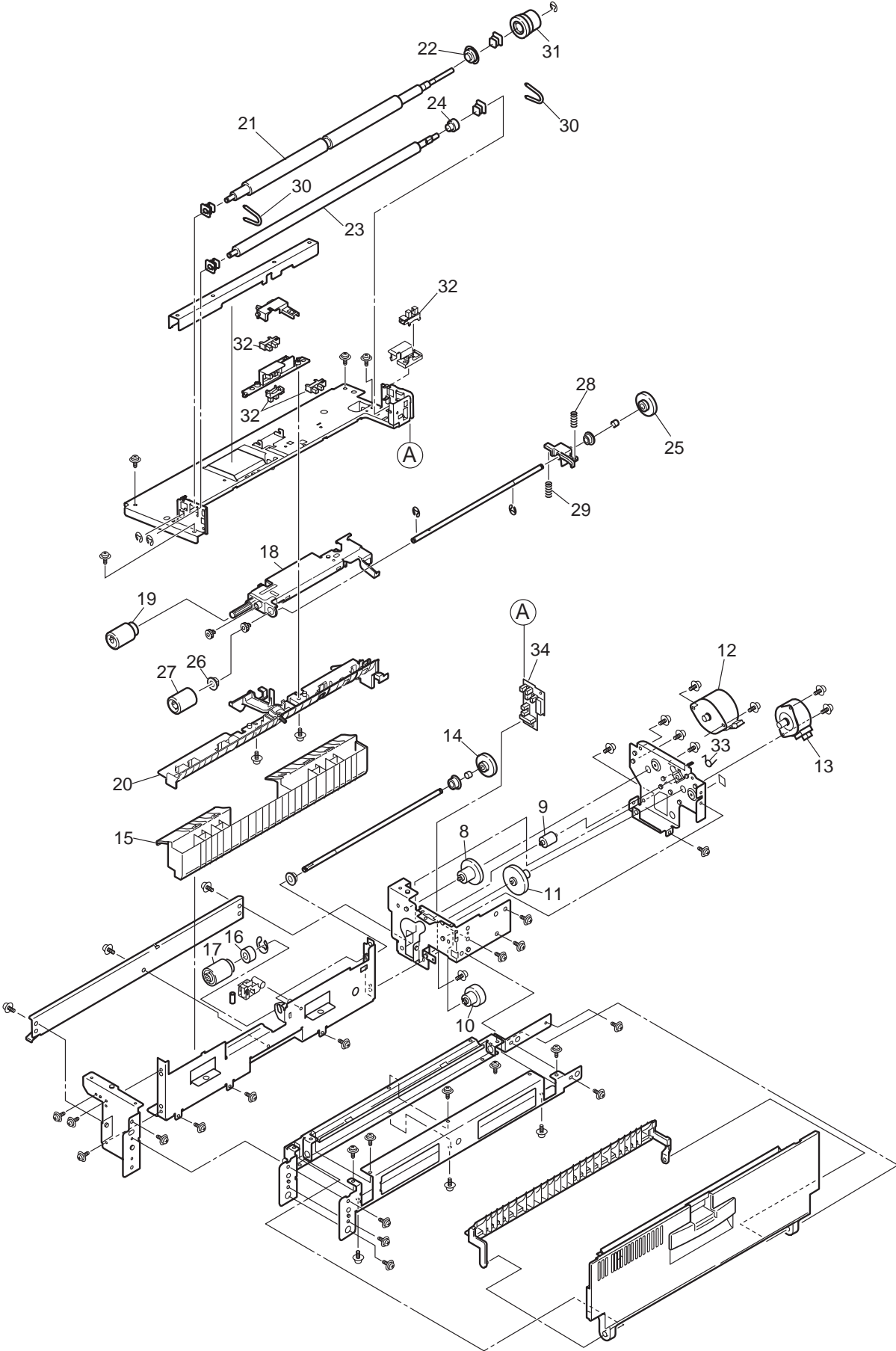
Plate-Assy-Power



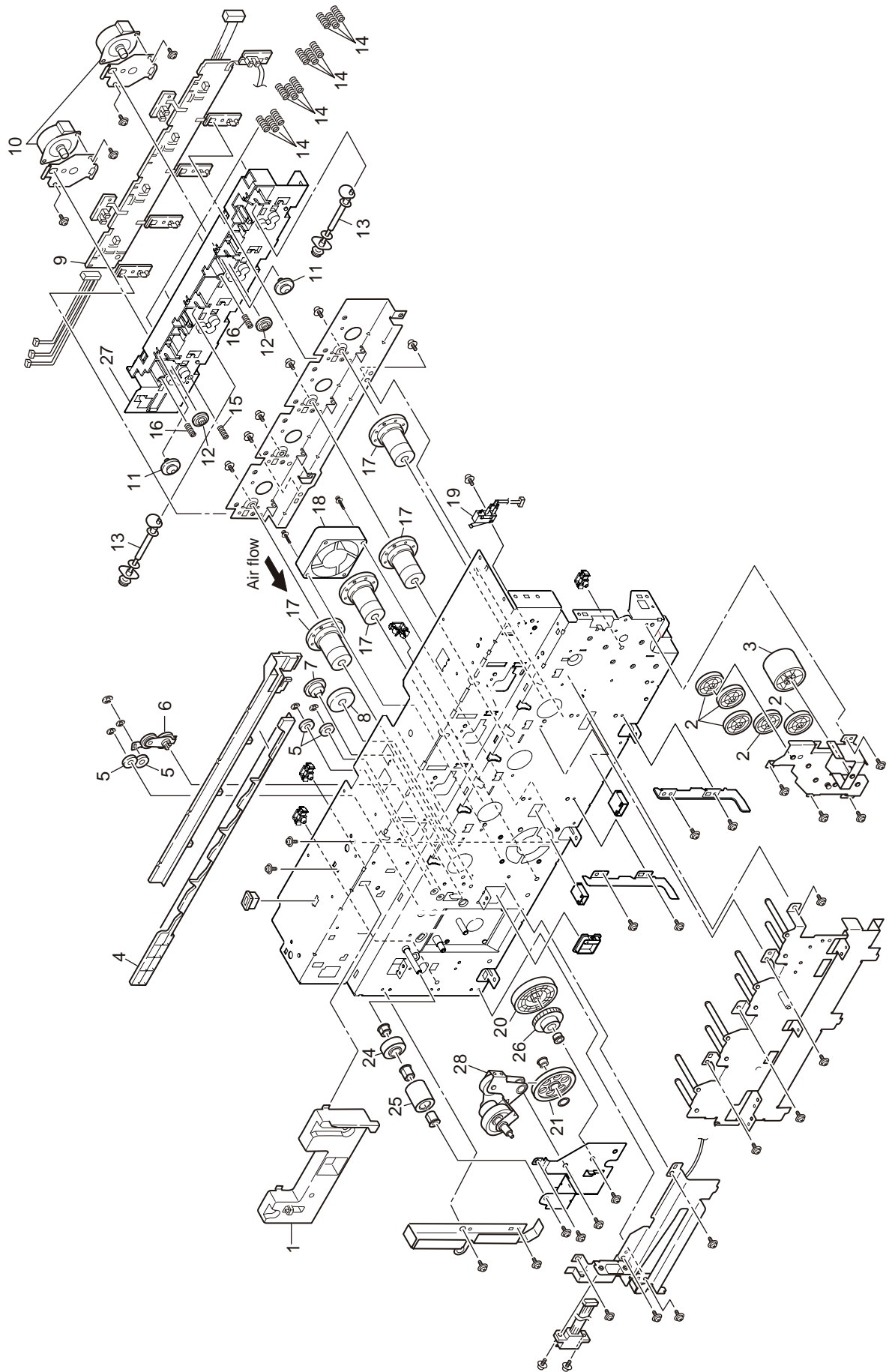
Base-Assy (42692601) 1/2



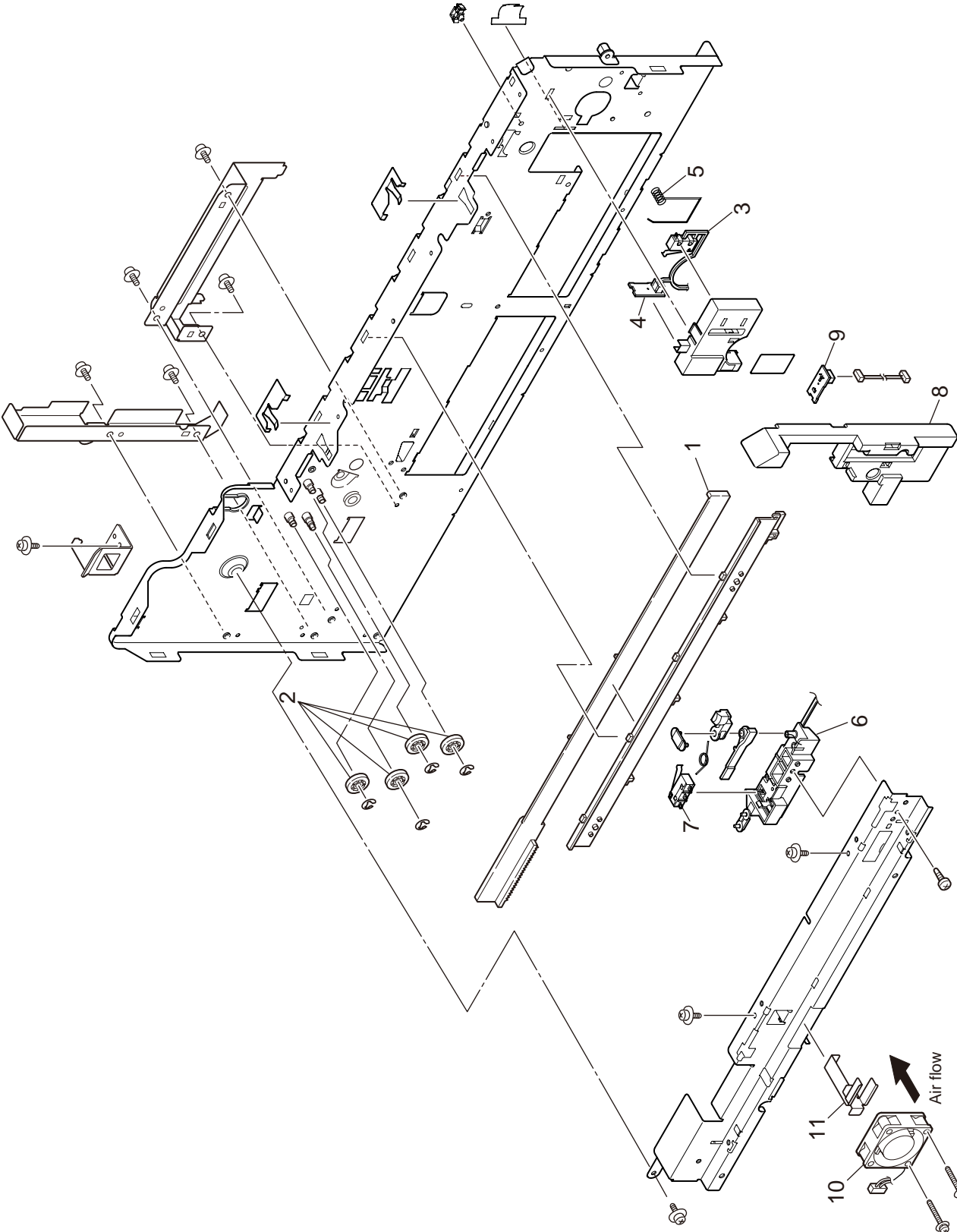
Base-Assy (42692601) 2/2



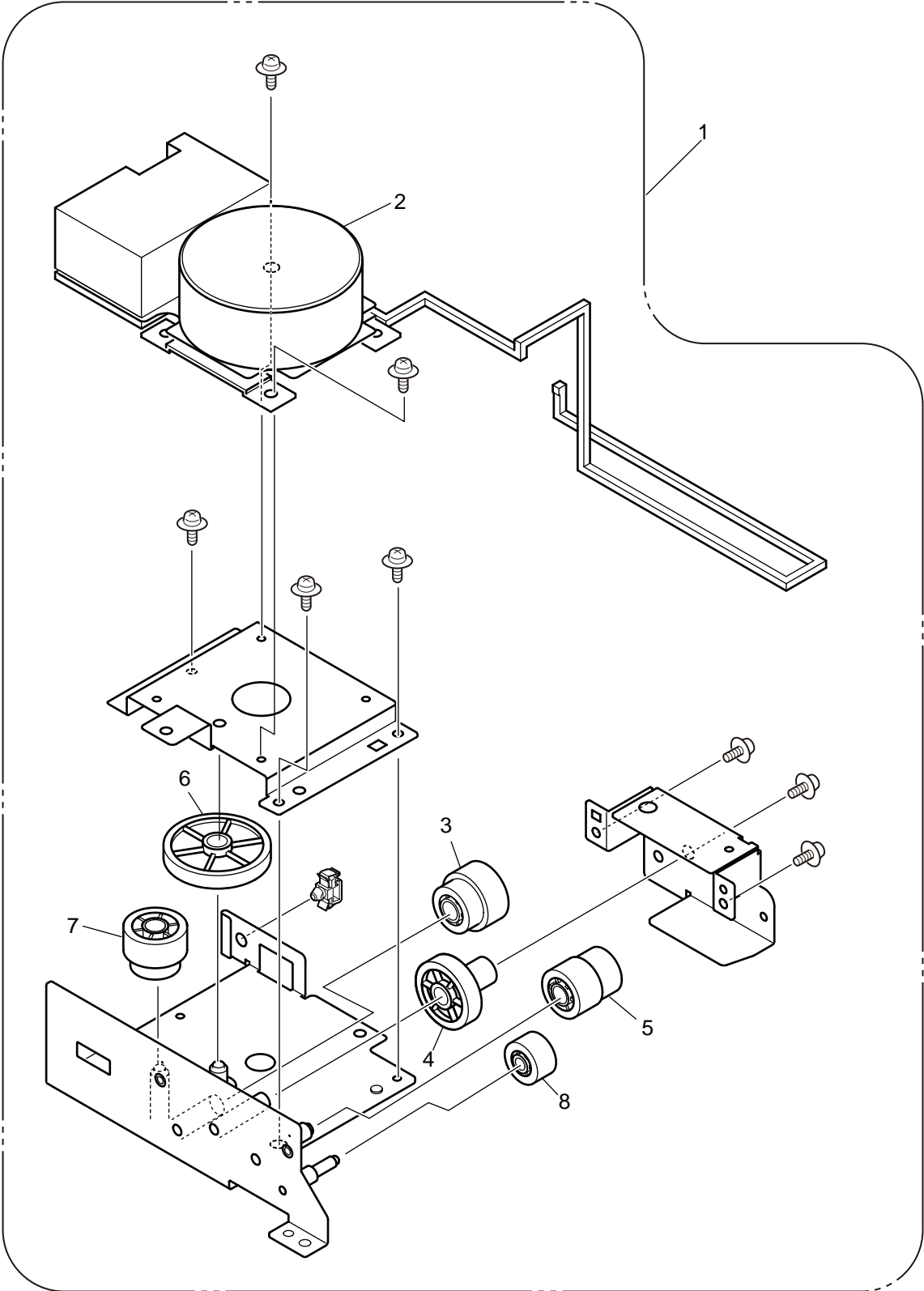
Side-R-Assy (42721201/42721204)

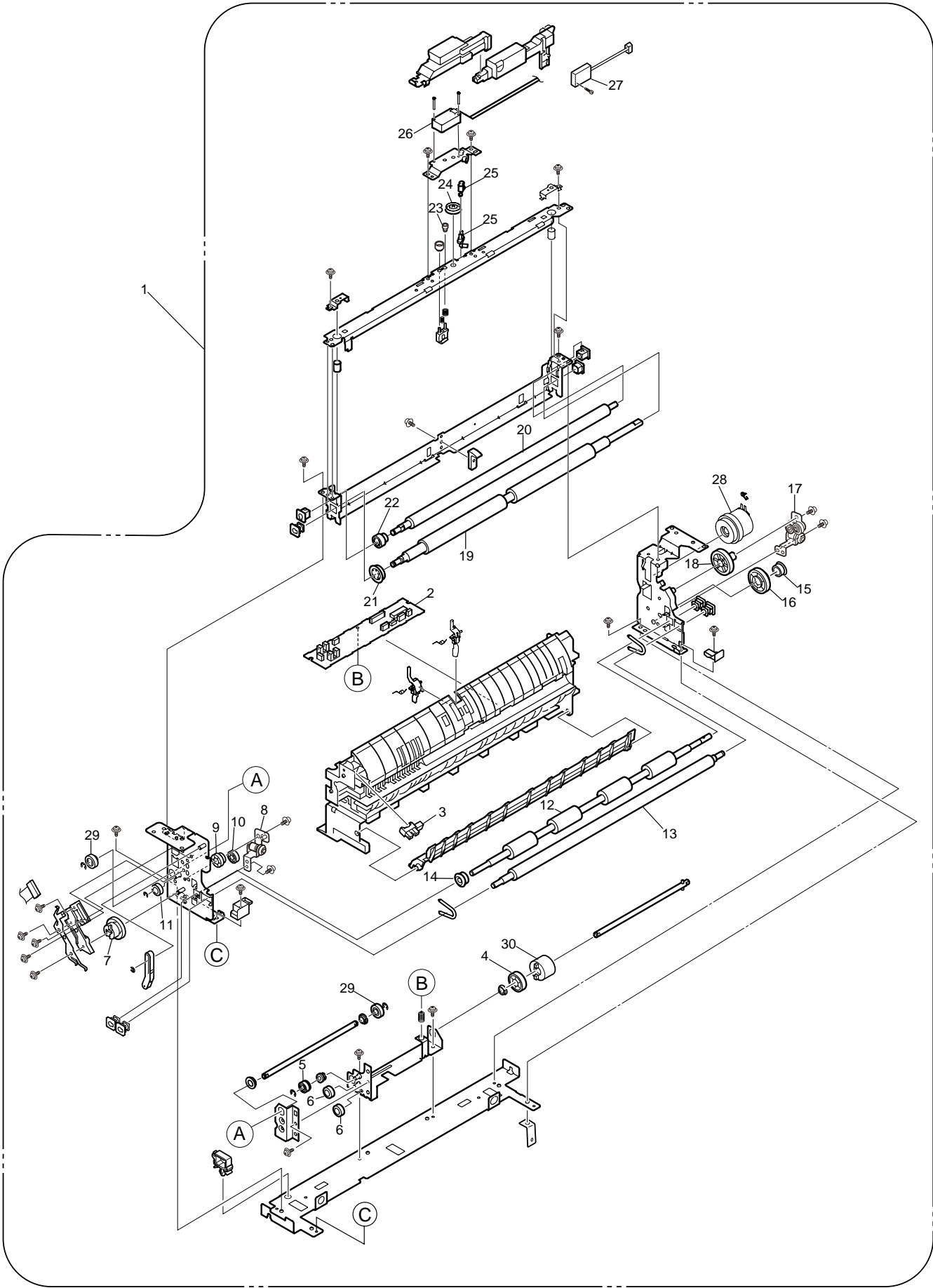


Side-F-Assy (42734801/42734803)

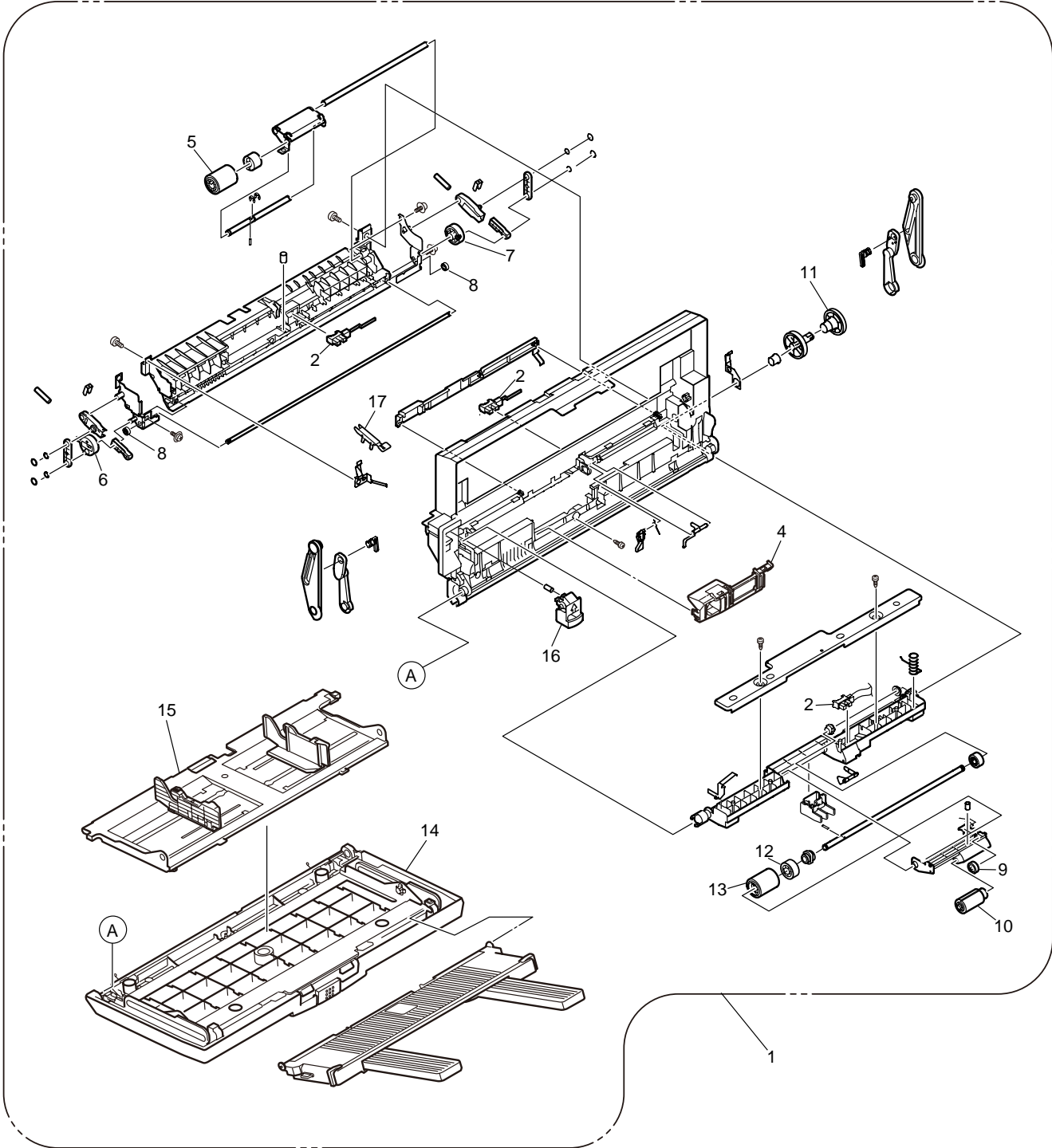


Duct-Drive-Assy (42740001)





FDR-Unit-MPT-HM (42750404)



Ejest-Assy-HM (42757103)

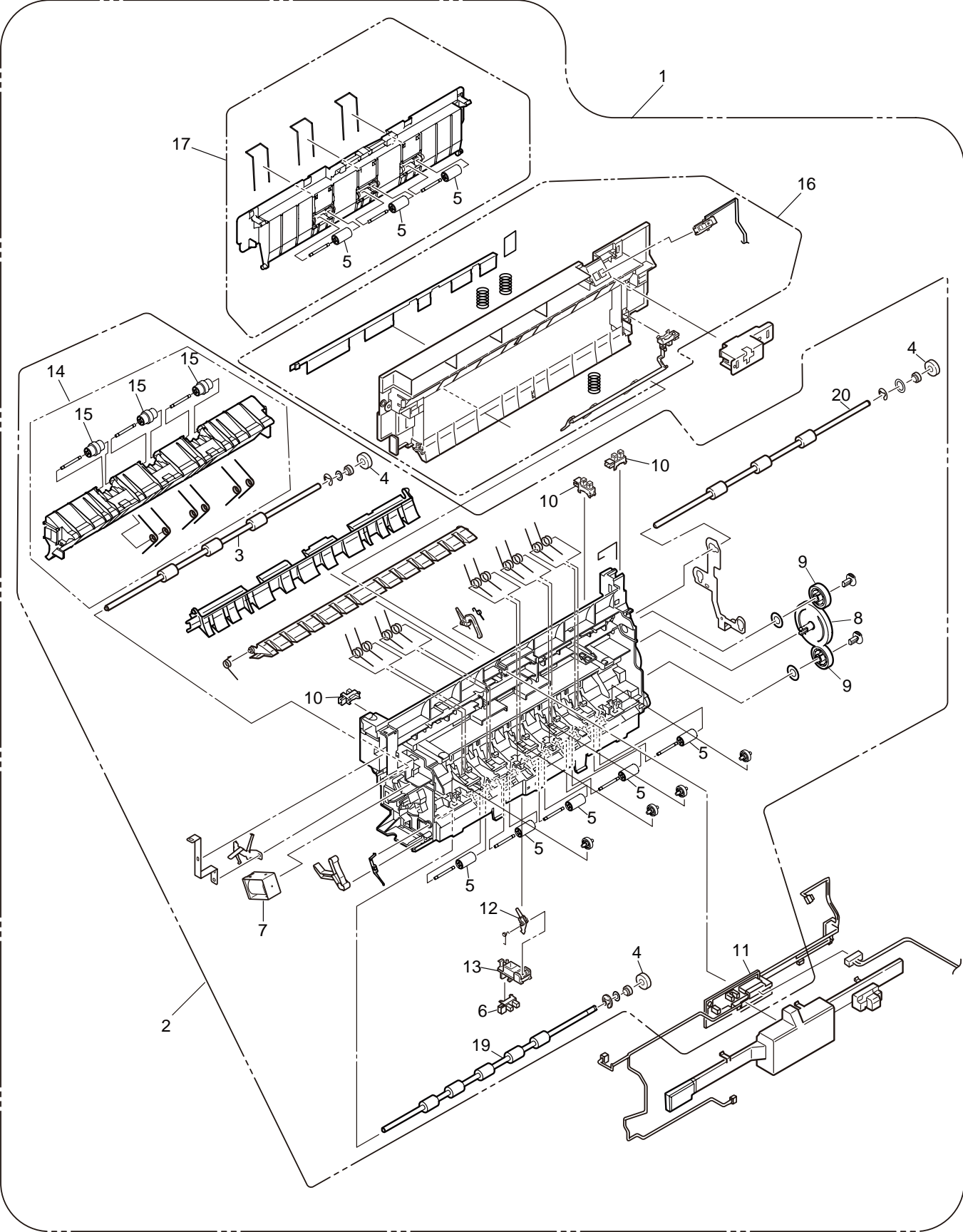
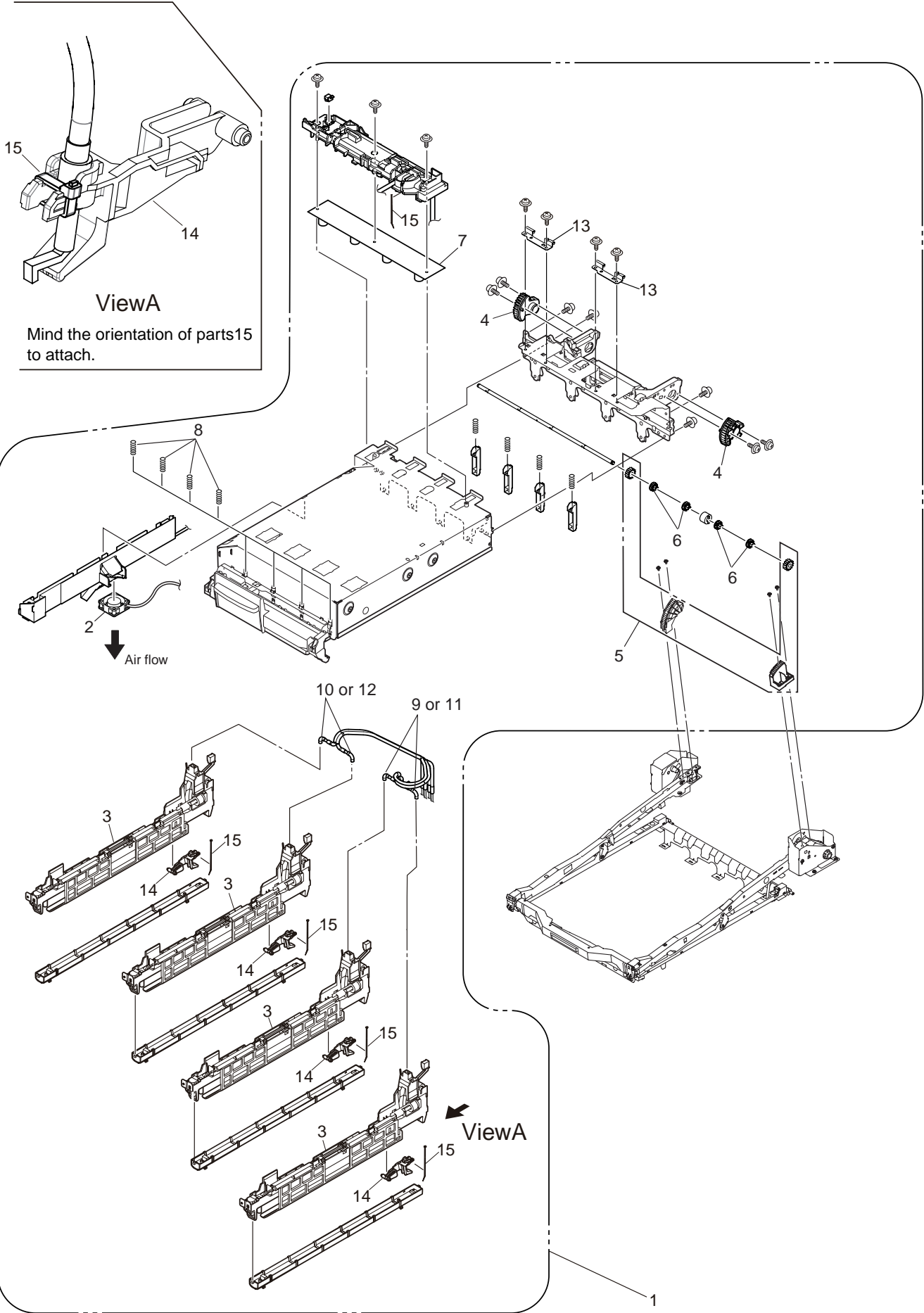


Plate-Top-Assy (42761408/42761409)

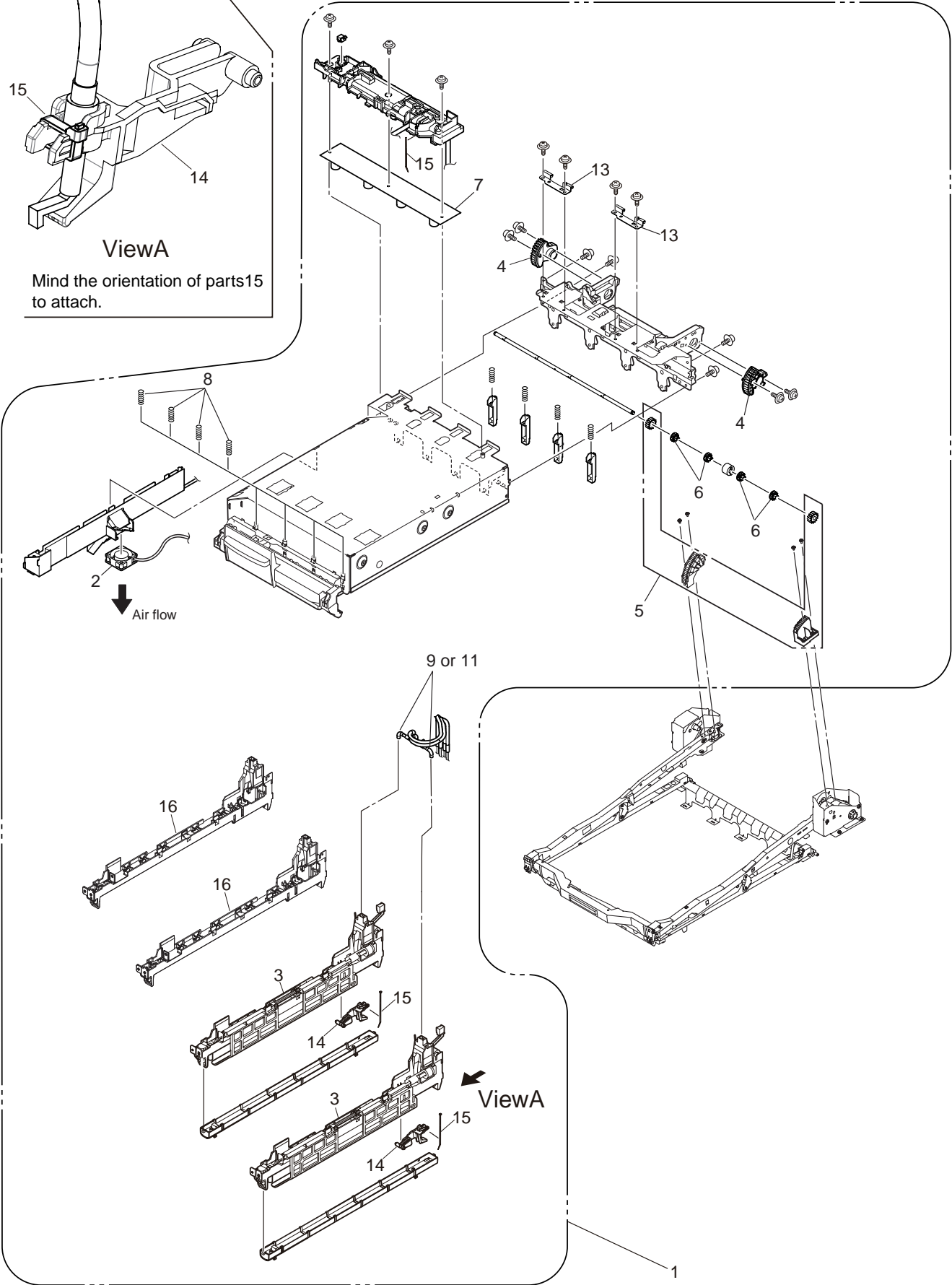
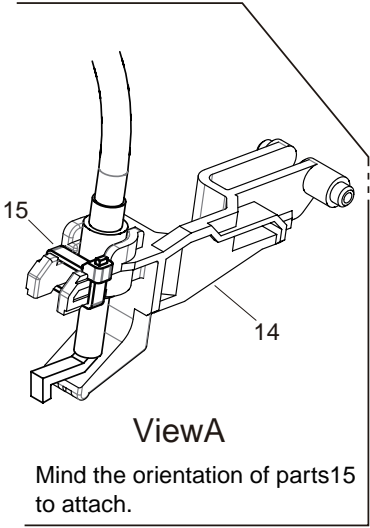


View A

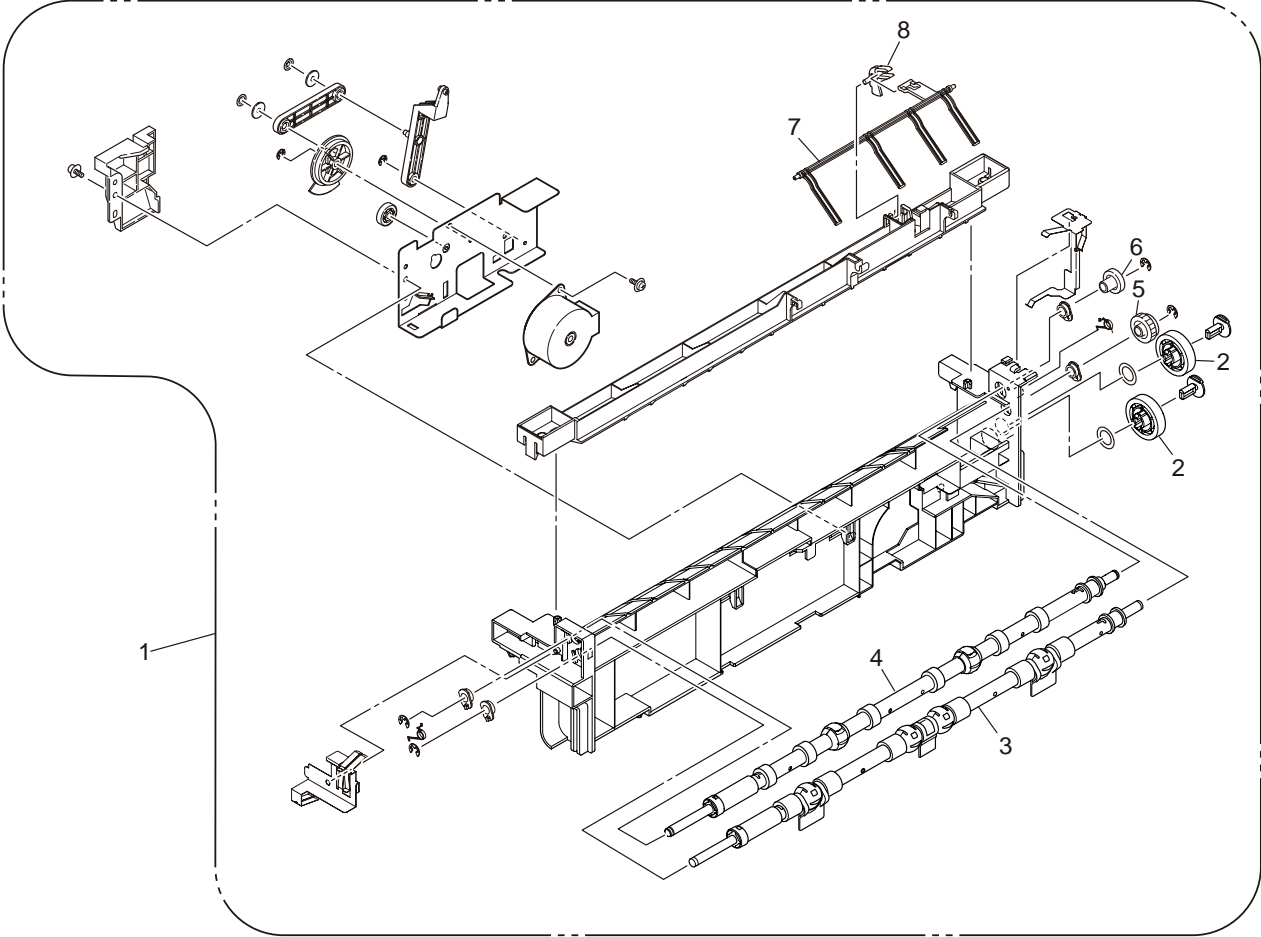
Mind the orientation of parts 15 to attach.

View A

Plate-Top-Assy (42761414)



Job-Offset-Assy (42765101)



Basket-Assy (42768901/42768903)

