

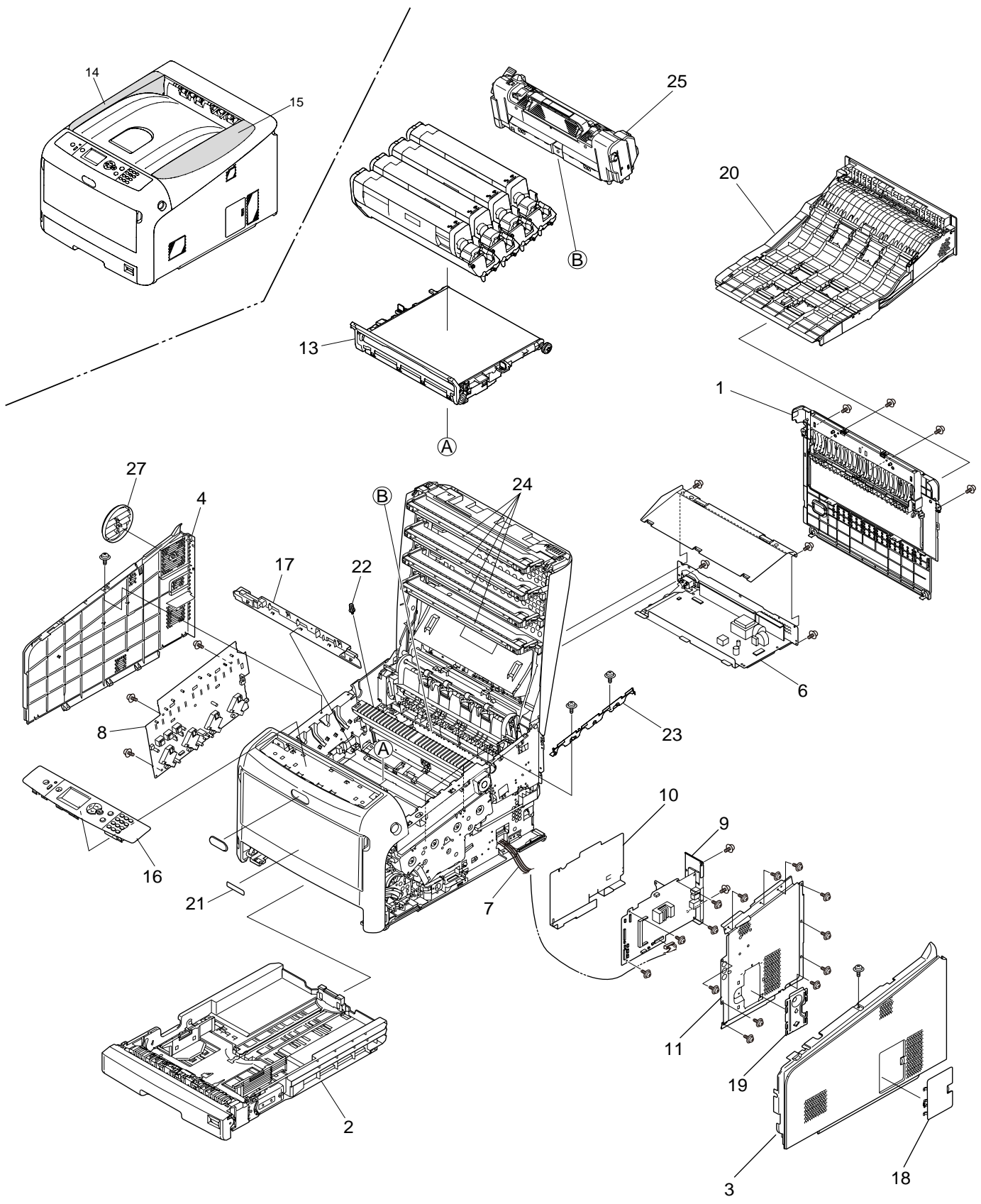
# C831

# Spare Parts

# Illustration Manual

032312A

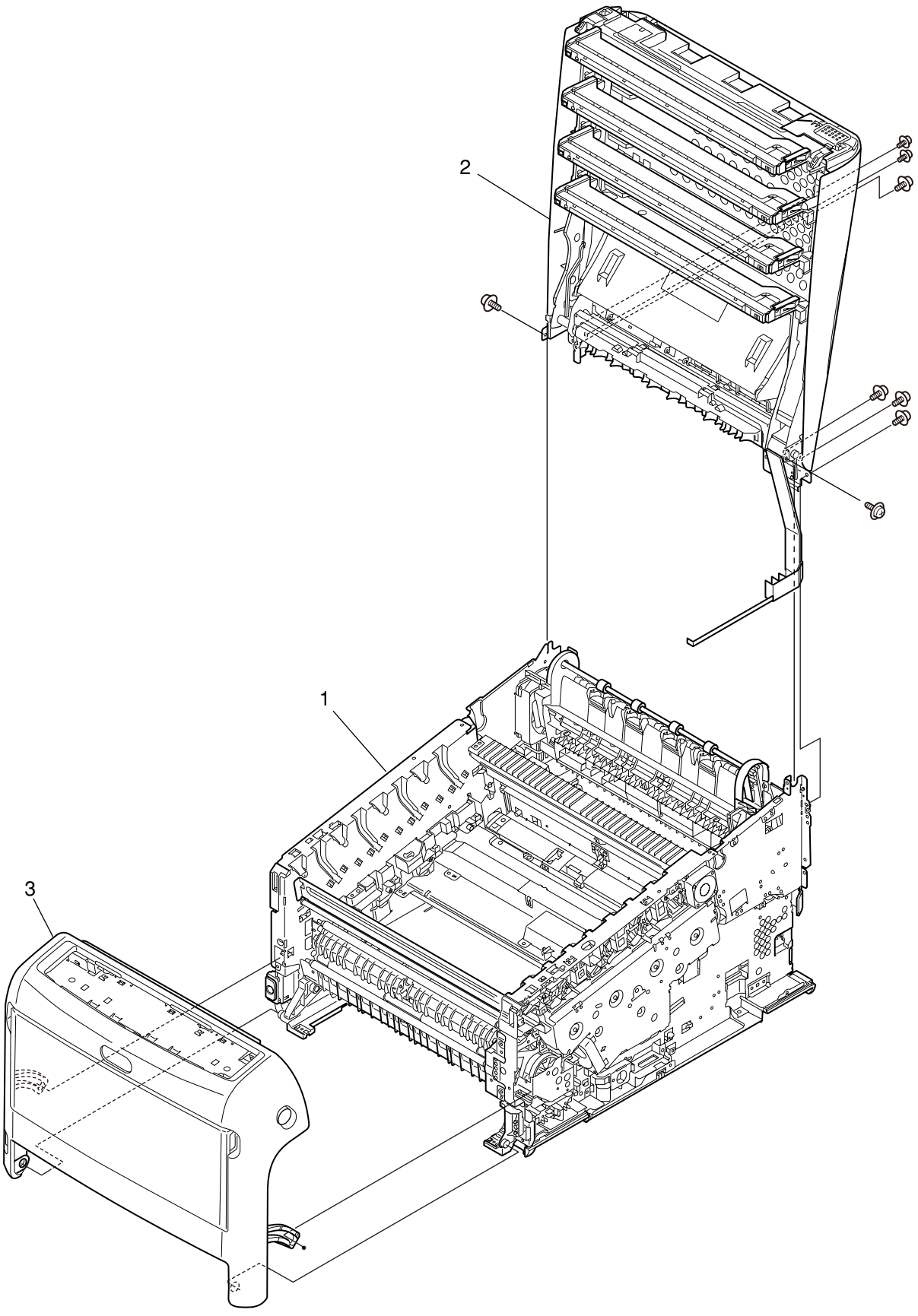
Printer-



No.	P/N	Part name	Recommended Quantity / Year				Comments
			Qty Unit	500	1000	2000	
1		Cover Assy.-Rear	1	1	2	4	
2	44710601	Cassette Assy.	1	1	2	4	
3		Cover-Side-R	1	1	2	4	
4		Cover-side-L-Assy	1	1	2	4	
5	43618501	Spring-Head	1	1	2	4	
6	44734801	LV-Pow-Assy	1	1	2	4	
7		CONN Cord-JST24P-JST24P	1	1	2	4	
8	44838001	OR-Board-DHV	1	1	2	4	
9	44861002	maintenance board	1	2	4	8	ODA(ODB)
10		Insulator-Main	1	1	2	4	
11		Plate-Shield	1	1	2	4	
12		Plate-Logo	1	1	2	4	
13	44735901	Belt-Assy.-	1	50	100	200	
14		Cover-Top-L	1	1	2	4	
15		Cover-Top-R	1	1	2	4	
16	44806702	Frame Assy.-OP-Panel	1	1	2	4	
17		Cover-Gasket	1	1	2	4	
18	44680201	Cover-Side-R-Sub	1	1	2	4	
19	44908501	Plate-Shield-Accessse	1	1	2	4	
20	44717602	Duplex Unit-	1	1	2	4	JPN
21		Plate-Name_C831	1	1	2	4	
22		Post-Lock-Fuser	1	1	2	4	
23		Plate-Lockout	1	1	2	4	
24	44811401	LED Head Unit-53TRG	4	2	4	8	
24	44811601	LED Head Unit-63TRG	4	2	4	8	

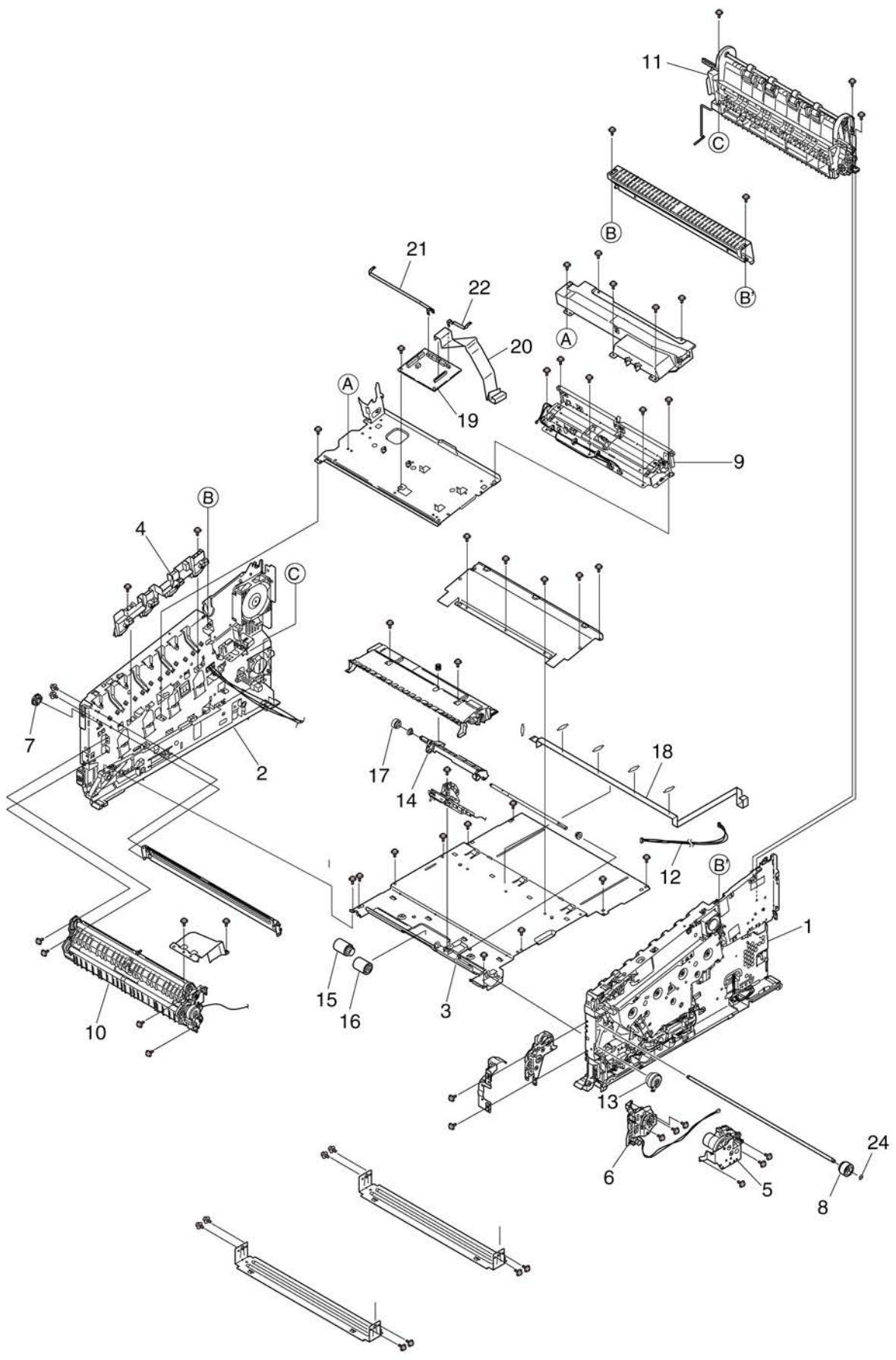
No.	P/N	Part name	Recommended Quantity / Year				Comments
			Qty Unit	500	1000	2000	
25		Fuser-Assy (100V)	1	50	100	200	
26		Label-ES/HD/CZ	1	1	2	4	
27		Vent (Louver)	1	1	2	4	
28		CONN Cord- AC125V/15A	1	1	2	4	
28		AC CORD (EUROPE)	1	1	2	4	

# Printer-Unit



No.	P/N	Part name	Recommended Quantity / Year				Comments
			Qty Unit	500	1000	2000	
1	44723501	Frame Assy	1	1	2	4	
2	44727801	Cover Assy.-Top	1	1	2	4	
2	44727802	Cover Assy.-Top(1200dpi)	1	1	2	4	
3	44730101	Cover Assy.-Front	1	1	2	4	

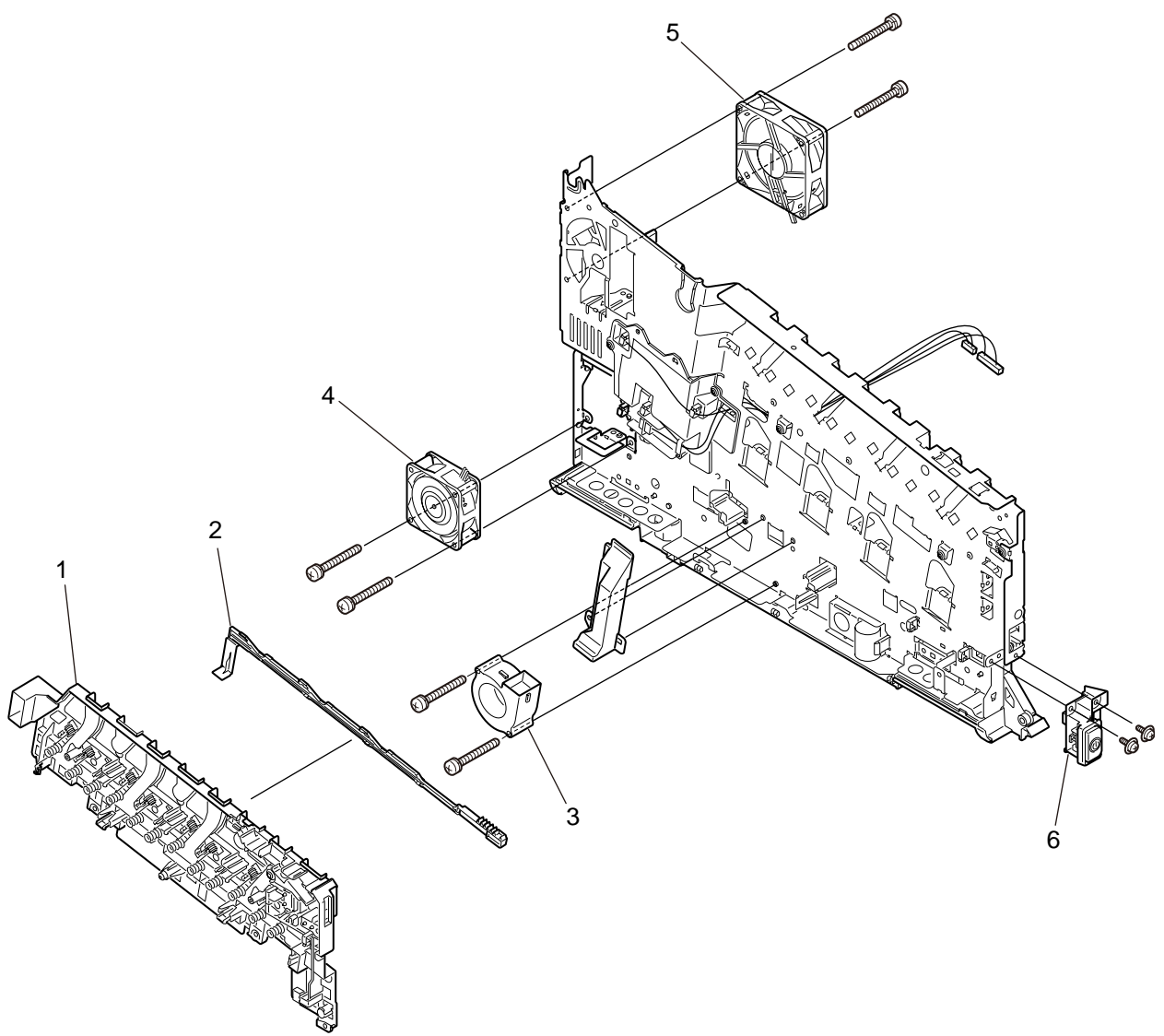
# Frame-Assy



No.	P/N	Part name	Recommended Quantity / Year				Comments
			Qty Unit	500	1000	2000	
1		Plate Assy.-Side-L	1	1	2	4	
2		Plate Assy.-Side-R	1	1	2	4	
3		Plate-Base	1	1	2	4	
4	44817901	Frame-Assy-Contact	1	1	2	4	
5	44725901	Gear Assy.-Hopping	1	1	2	4	
6	44726401	Gear Assy.-ID-Liftup	1	1	2	4	
7	44696201	Gear-Liftup-C	1	1	2	4	
8	44819801	Gear-Liftup-D	1	1	2	4	
9	44817201	Sensor-Assy.-Regist	1	1	2	4	
10	44726701	Roller Assy.-Regist	1	1	2	4	
11	44726901	Guide Assy.-Eject	1	1	2	4	
12	44743001	CONN Cord-JST4P-JST4P	1	1	2	4	
13	44690201	Clutch-Hop	1	1	2	4	
14	44725601	Holder-SNS-Assy	1	1	2	4	
15	43000601	Roller-Feed-NOW	1	3	6	12	
16	42699401	Roller-Pick-Up	1	3	6	12	
17	43346601	Gear-Feed	1	1	2	4	
18	44907401	FFC-HVOLT-Bend	1	1	2	4	
19	44886701	OR-Board Assy. -P6Z	1	1	2	4	
20	44907101	FFC-Relay-Bend	1	1	2	4	
21	44907201	FFC-RCR-Bend	1	1	2	4	
22	44907301	FFC-LCR-Bend	1	1	2	4	
23	44654801	CONN Cord-JST8P-JST8P	1	1	2	4	
24		Ring (RE4-SK)	1	1	2	4	

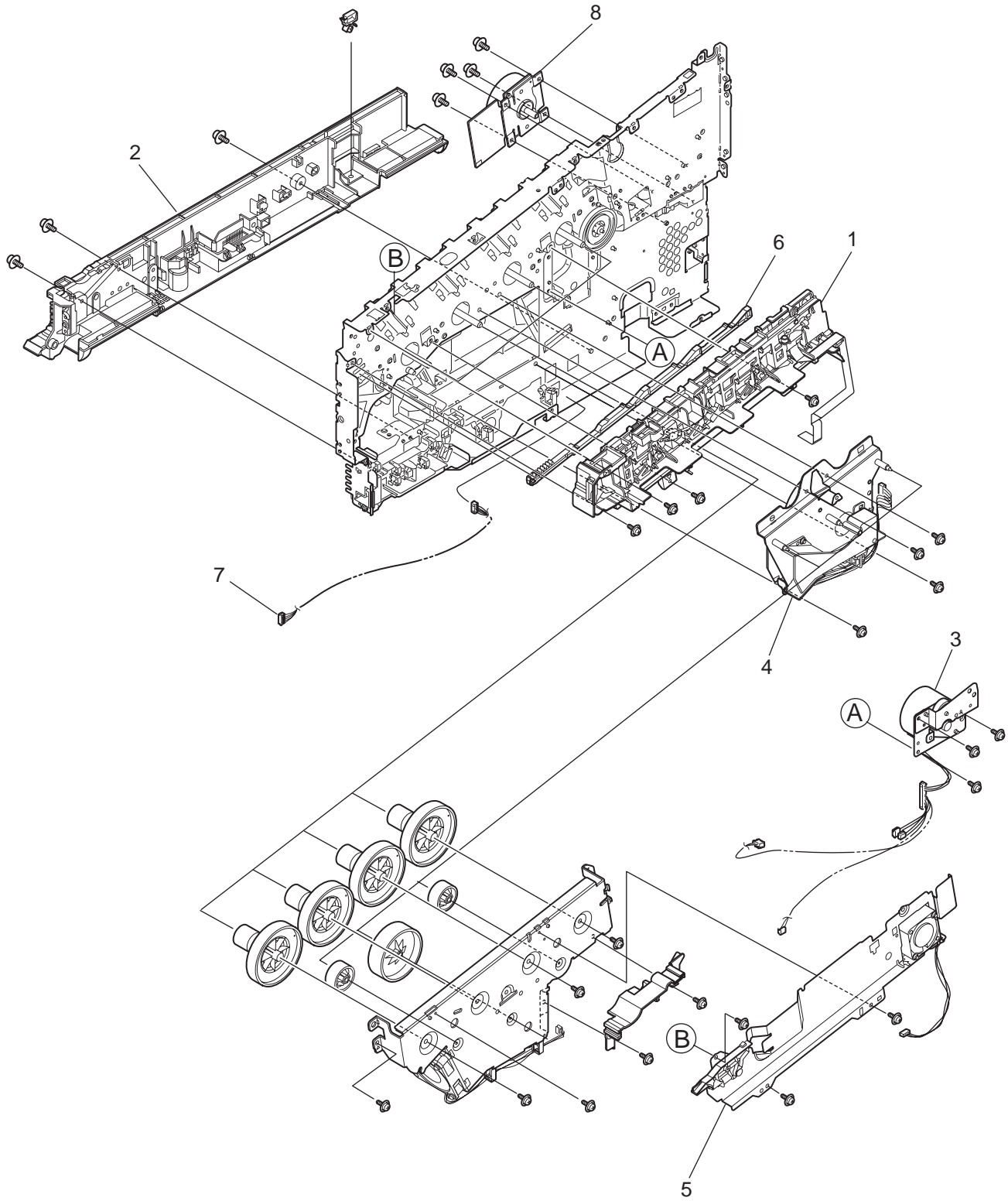


# Plate-Assy-Side-L



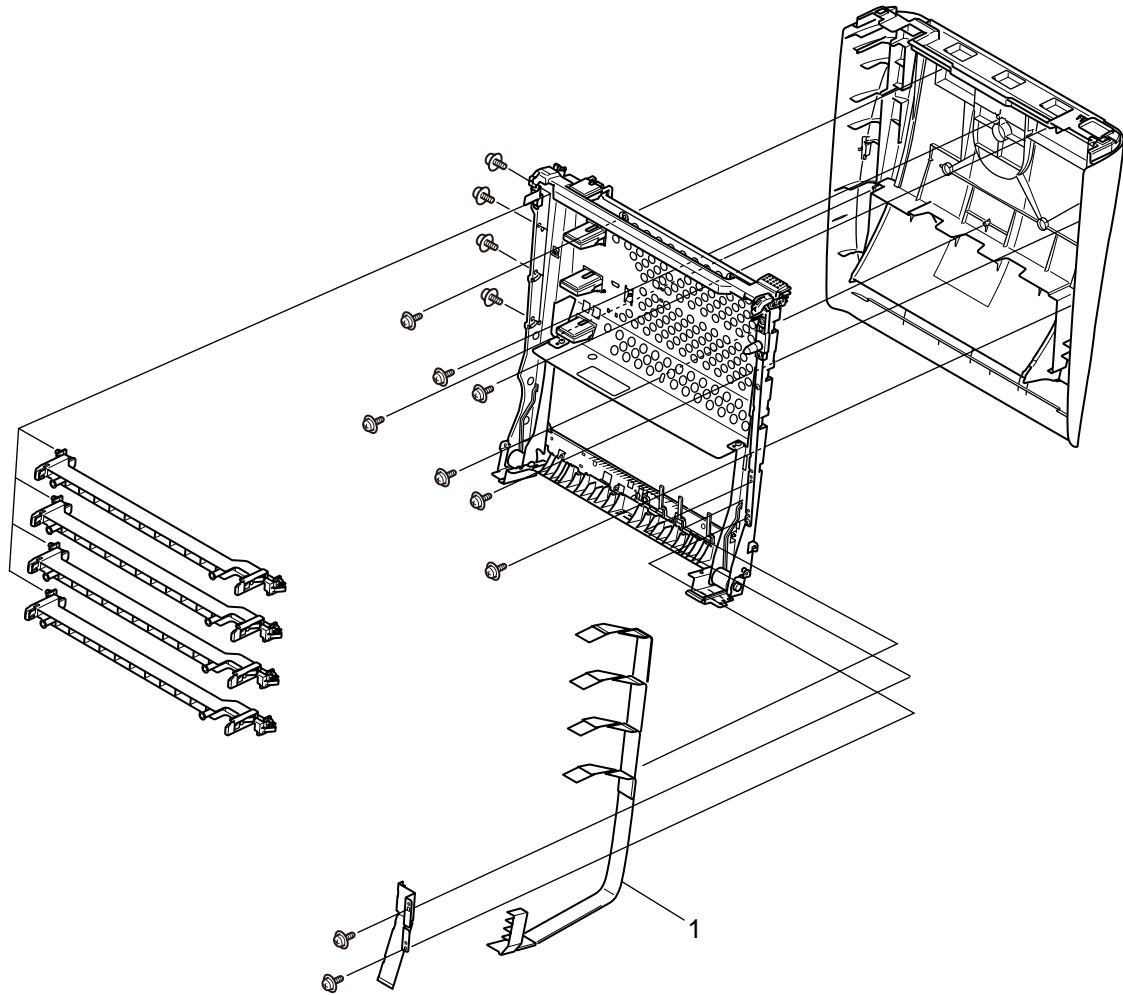
No.	P/N	Part name	Recommended Quantity / Year				Comments
			Qty Unit	500	1000	2000	
1	44738301	Guide Assy.-Side-L	1	1	2	4	
2	44705701	Rack-L	1	1	2	4	
3		D05F-24BM06B(EX) Motor fan (2702071P0002)	1	1	2	4	
4		U80T24MUA7-53J10 Motor fan (2702071P0001)	1	1	2	4	
5		U60T24MS7A7-53J101 Motor fan (2702071P0005)	1	1	2	4	
6	44764901	SW Assy.-Front	1	1	2	4	

# Plate-Assy-Side-R



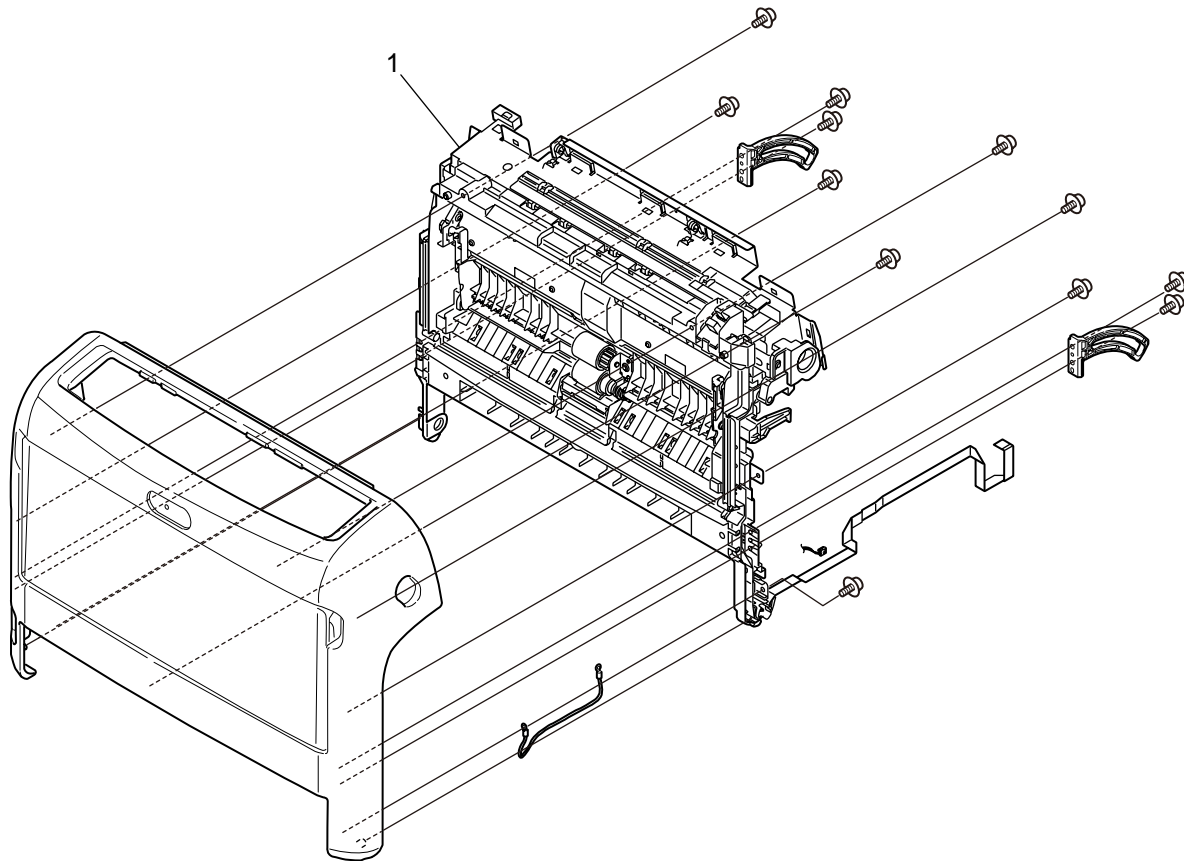
No.	P/N	Part name	Recommended Quantity / Year				Comments
			Qty Unit	500	1000	2000	
1	44724401	Guide Assy.-Side-R	1	1	2	4	
2	44724501	Guide Assy.-Cassette-R	1	1	2	4	
3	44724801	Motor Assy.-Belt	1	1	2	4	
4	44805201	Motor Assy.-ID	1	1	2	4	
5	44725101	Plate Assy.-Tonner	1	1	2	4	
6	44688601	Rack-R	1	1	2	4	
7		CONN Cord--AMP5P-AMP5P	1	1	2	4	
8	44725301	Motor-DC-FU	1	1	2	4	

# Cover Assy.-Top



No.	P/N	Part name	Recommended Quantity / Year				Comments
			Qty Unit	500	1000	2000	
1	44729101	Cable-Assy.-Head	1	1	2	4	
1	44729102	Cable-Assy.-Head(1200dpi)	1	1	2	4	

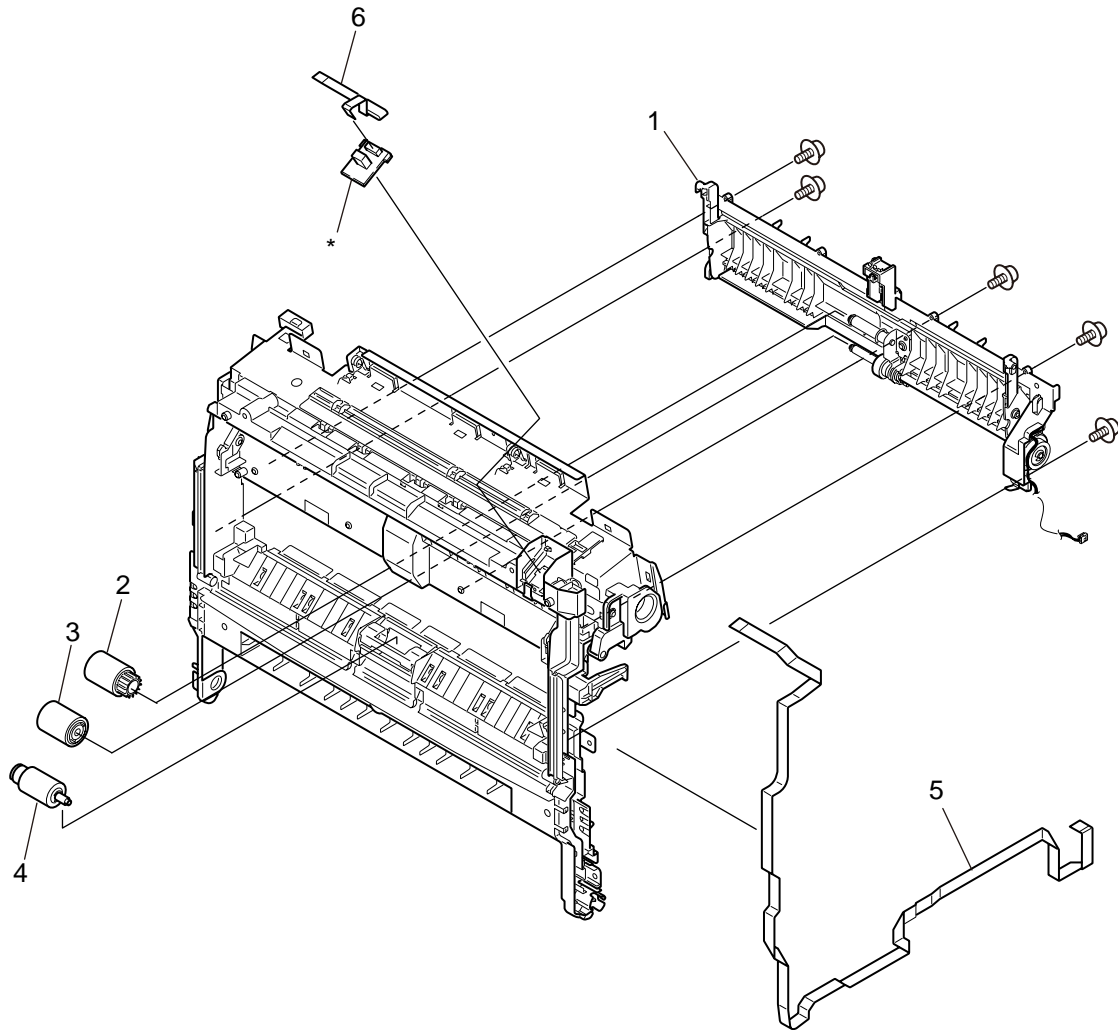
### Cover Assy.-Front



No.	P/N	Part name	Recommended Quantity / Year				Comments
			Qty Unit	500	1000	2000	
1	44730901	Frame Assy.-Front	1	1	2	4	



### Frame Assy.-Front



\* : This is an appended part of 44885201 : OR-Board Assy. PCQ.  
( The 44885201 contains the Frame Assy.-OP-Panel.)

No.	P/N	Part name	Recommended Quantity / Year				Comments
			Qty Unit	500	1000	2000	
1	44807101	Guide-Sheet-Assy-Front	1	1	2	4	
2	42699401	Roller-Pick-Up	1	3	6	12	
3	44750301	Roller-Feed-NOW	1	3	6	12	
4	44732101	Frame Assy.-Retard	1	1	2	4	
5	44807201	FFC-OP-BEND	1	1	2	4	
6	44807401	FFC-Env-Sensor-Bend	1	1	2	4	