

C830n

Spare Parts

Illustration Manual

033012C

Copyright © 2012 by Oki Data. All Rights Reserved

Oki Data America's, Inc. ("Oki Data"), authorizes you to view, copy, and print documents published by Oki Data for noncommercial use within your organization only. In consideration of this authorization, you agree and acknowledge that any copy of these documents shall retain all copyright and proprietary rights contained herein. Each document published by Oki Data may contain additional copyright information and proprietary notification relating to that individual document.

Nothing contained herein shall be construed as conferring by estoppel, implication or otherwise any license or right under any patent or trademark of Oki Data, Oki Electric Industry Co., Ltd. ("Oki Electric"), or any third party. Except as provided above nothing contained herein shall be construed as conferring any license or right under any Oki Data copyright.

Oki Data has taken care to insure that the information which follows is complete, accurate and up-to-date. However, Oki Data assumes no responsibility for errors or omissions which may occur. All the information provided is subject to change from time to time at the sole discretion of Oki Data.

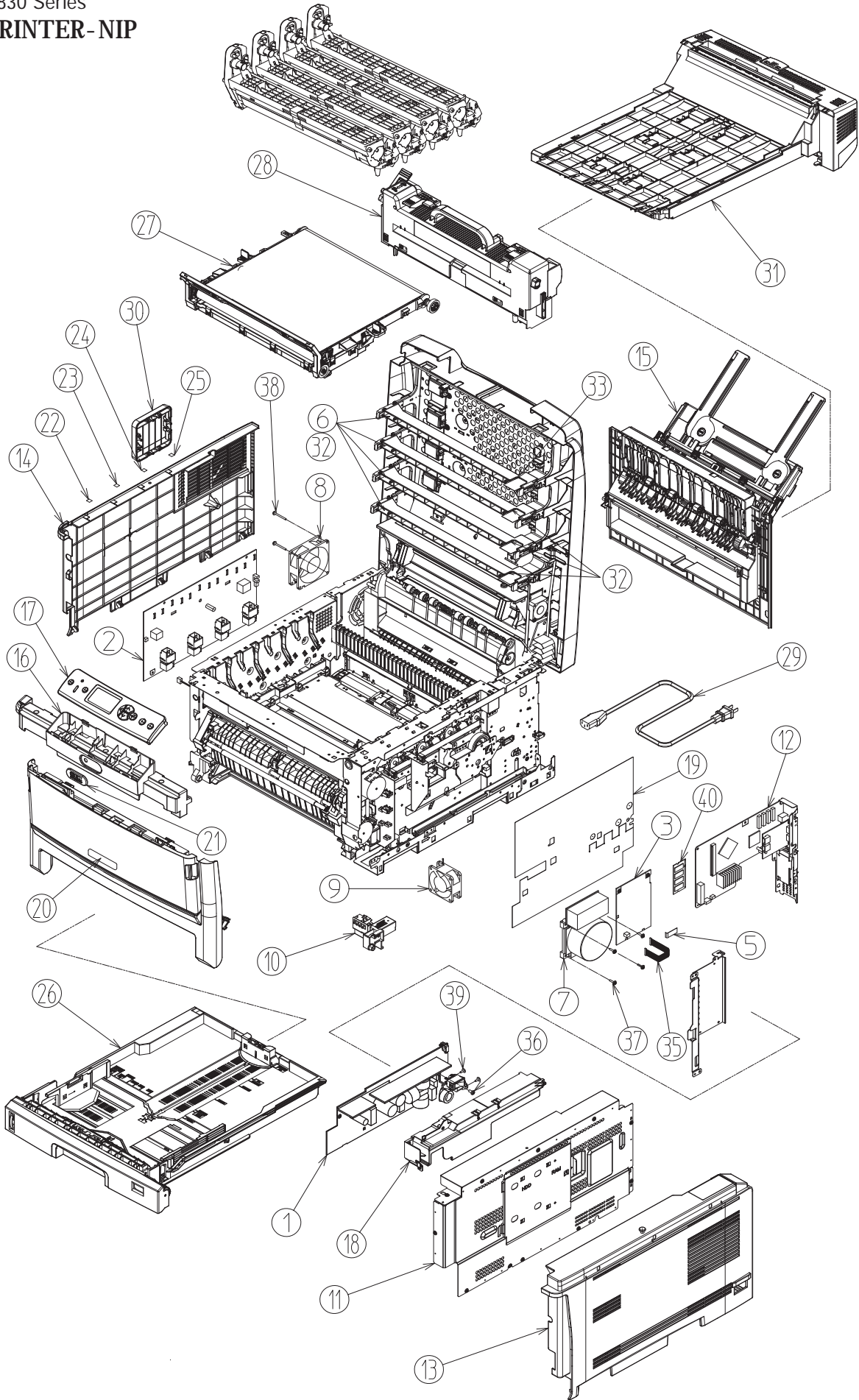
All publications may include technical inaccuracies or typographical errors. We reserve the right to make periodic changes, additions, and deletions to publications without notice.

The most up-to-date drivers and manuals are available from the web site:

<http://www.okiprintingsolutions.com>

Oki Data CONFIDENTIAL

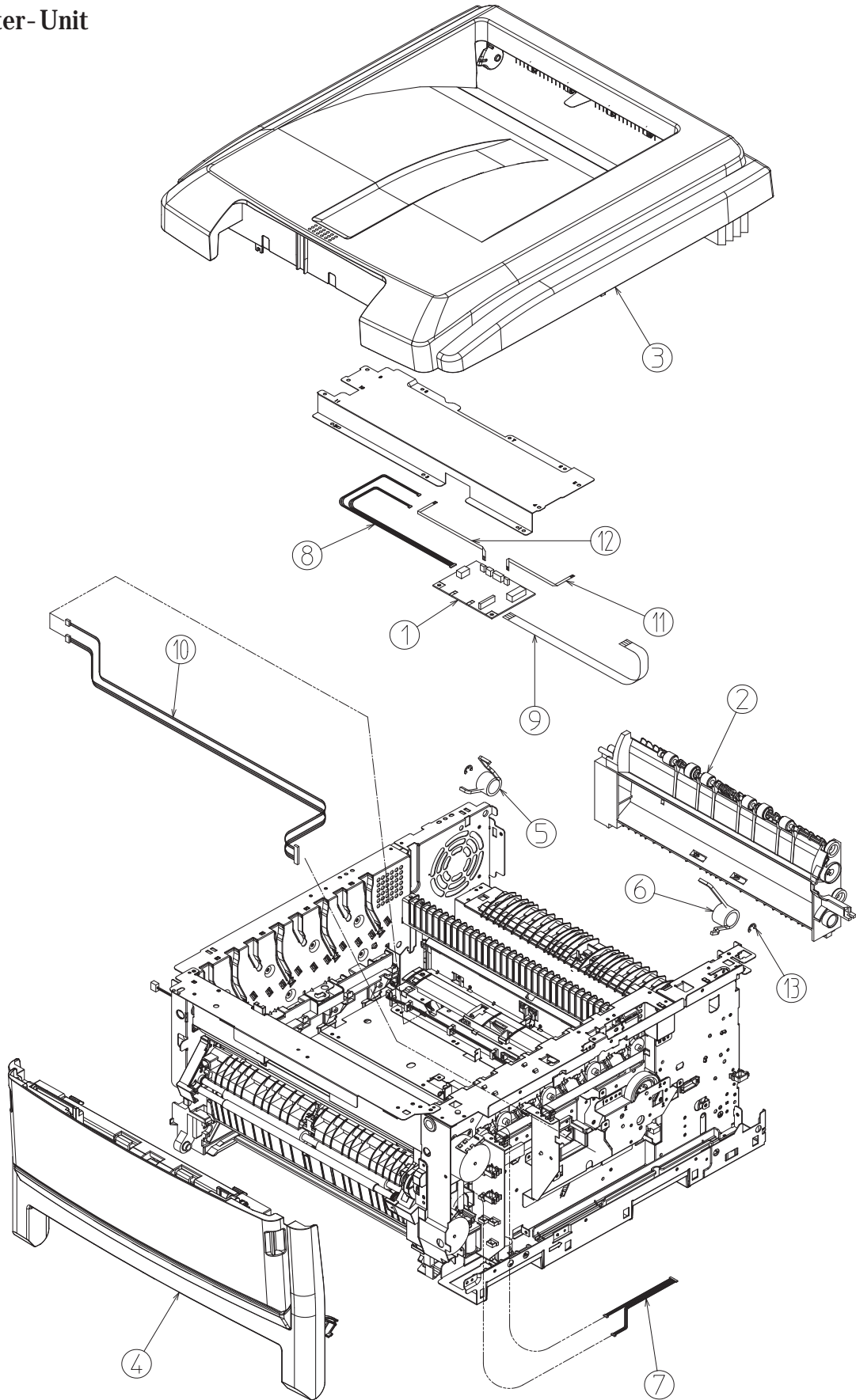
C830 Series
PRINTER-NIP



No.	Part No.	Part Name	Q'ty /Unit	Recommended Q'ty/Year			Remarks
				per 500	per 1000	per 2000	
1	42997802	PWR unit-ACDC Switch	1	1	2	4	
1	43455902	PWR unit-ACDC Switch	1	1	2	4	230V
2	43694601	PWR unit-DCDC	1	2	4	8	
3	44051901	OR-PVD	1	2	4	8	
5		TW-VF/SMCD16-40-1.0	1	1	2	4	
6	43686801	LED Head Unit-53STA	4	2	4	8	
7	43241301	Motor-DC-ID	1	1	2	4	
8	43446501	Motor-Fan(80)	1	1	2	4	
9	43191302	Motor-Fan(60)PowL	1	1	2	4	
10		Holder Assy.-Switch	1	2	4	8	
11		Plate-Assy-Shield	1	2	4	8	
12	43793742	TB2/TC2 maintenance board specification	1	1	2	4	ODA
13	43270201	Cover-Assy.-Side(R)	1	2	4	8	
14	43276501	Cover-Side(L)	1	2	4	8	
15	43182601	Cover Assy.-Rear	1	2	4	8	ODA/OEL/AOS/KOR
16		Frame Assy.-OP-Panel-PDL	1	2	4	8	
17		Cover Assy.-OP-Panel-PDL	1	2	4	8	ODA/OEL/AOS
18		Duct-POW	1	1	2	4	
19		Insulator-POW	1	1	2	4	
20		Plate-Name	1	1	2	4	JPN/ODA/OEL/AOS/KOR
21		Plate-Logo	1	1	2	4	
22		Label-Color K	1	1	2	4	
23		Label-Color Y	1	1	2	4	

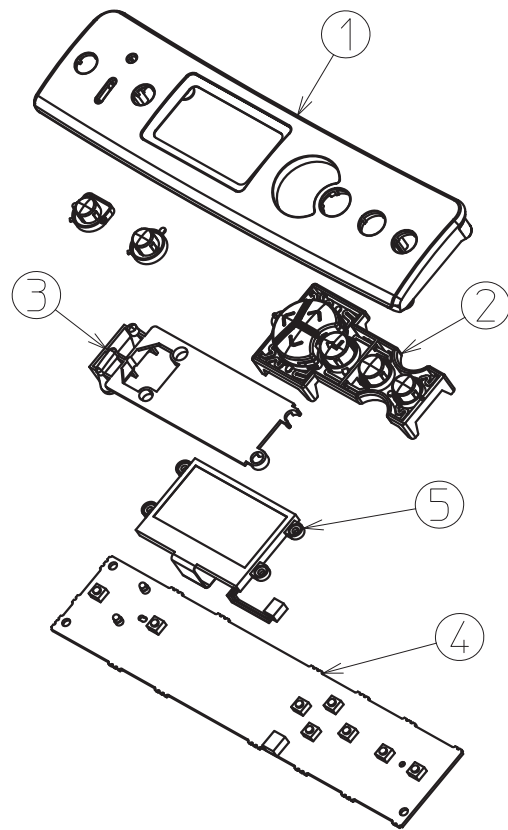
No.	Part No.	Part Name	Q'ty /Unit	Recommended Q'ty/Year			Remarks
				per 500	per 1000	per 2000	
24		Label-Color M	1	1	2	4	
25		Label-Color C	1	1	2	4	
26	43178217	Cassette-Assy.	1	1	2	4	
27	43449704	Belt-Unit- _ODA	1	50	100	200	ODA
28	43529404	Fuser-Unit-	1	50	100	200	ODA 120V
28	43529409	Fuser-Unit- _ODA	1	50	100	200	ODA 230V
29		Cord-Power Supply	1	1	2	4	
30		SML2CD-32X72-BDXAUP	1	1	2	4	
31		Duplex Unit (JAN Spare)	1	1	2	4	
32	43618501	Spring-Head	7	1	2	4	
33	43637101	Spring-Head	1	1	2	4	
35		CONN Cord-AMP11P-AMP11P	1	2	4	8	
36		Screw (SW+2W)	2	2	4	8	
37		Screw (SW+2W)	4	4	8	16	
38		Screw (SW+2W)	3	3	6	12	
39		Screw (SW+2W)	3	3	6	12	
40		M470L6524FL0-CB3	1	1	2	4	

C830 Series
Printer-Unit



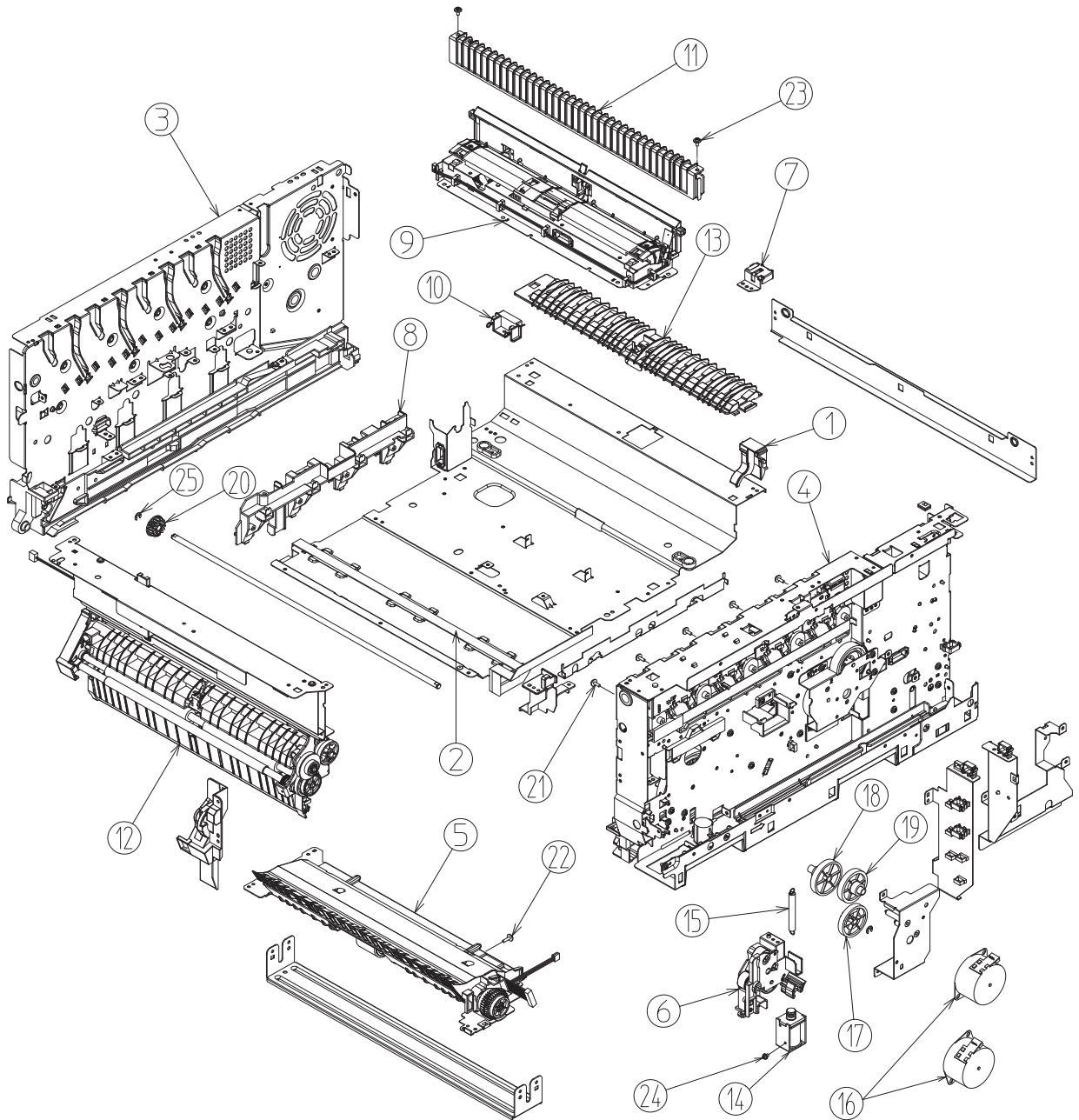
No.	Part No.	Part Name	Q'ty /Unit	Recommended Q'ty/Year			Remarks
				per 500	per 1000	per 2000	
1	43438901	OR-P6Y	1	2	4	8	
2	43183601	Guide-Eject-Assy-Upper	1	2	4	8	
3	44057601	Cover Assy.-Top	1	1	2	4	ODA/OEL
4	44121101	MPT-Assy	1	2	4	8	
5	43311901	Spring-Torsion(L)	1	1	2	4	
6	43312001	Spring-Torsion(R)	1	1	2	4	
7	43359801	CONN Cord-AMP8P-AMP4P,AMP4P	1	2	4	8	
8	43405001	CONN Cord-AMP11P-AMP11P	1	2	4	8	
9	43360501	CONN Cord-AMP6P-AMP3P,AMP3P	1	2	4	8	
10	43409601	CONN Cord-JST8P-AMP2P	1	2	4	8	
11	43629001	CONN-Regist-Cord(R_bend)	1	2	4	8	
12	43628901	CONN-Regist-Cord(L_bend)	1	1	2	4	
13		Ring	2	2	4	8	

Cover-Assy-OP-Panel



No.	Part No.	Part Name	Q'ty /Unit	Recommended Q'ty/Year			Remarks
				per 500	per 1000	per 2000	
1		Cover-OP-Panel-PDL	1	2	4	8	ODA/OEL/AOS
2	43746701	Button-Key	1	1	2	4	
3	43746601	Cover-LCD	1	1	2	4	
4	43925102	OR-PRG	1	1	2	4	
5		BTG-12864BG-FBWB-F-G	1	1	2	4	

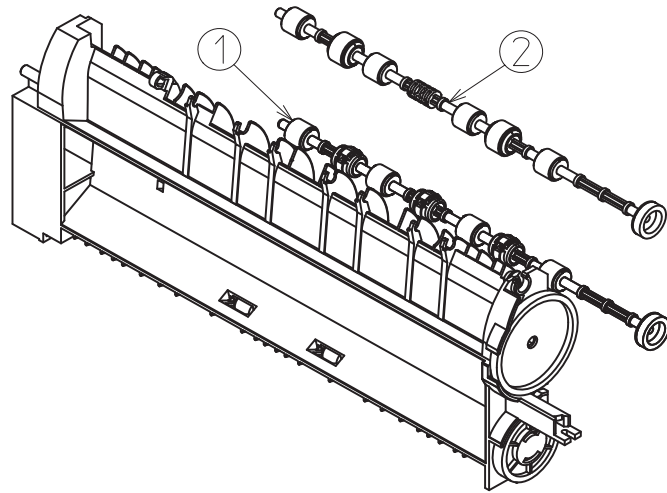
C830 Series
Frame-Assy



No.	Part No.	Part Name	Q'ty /Unit	Recommended Q'ty/Year			Remarks
				per 500	per 1000	per 2000	
1		Cover-Gear-Belt	1	1	2	4	
2		TW-VF/SMCD12-60-1.0	1	2	4	8	
3		TW-VF/SMCD21-230-1.0	1	2	4	8	
2		TW-VF/SMCD13-740-1.0	1	2	4	8	
3		Plate-Side-L-Assy	1	1	2	4	
4		Plate-Side-R-Assy	1	1	2	4	
5		Frame-Assy-Hopping	1	2	4	8	
6	43246101	Gear-Holder-Assy	1	2	4	8	
7	43246401	Sensor-Assy-Fuser	1	1	2	4	
8	43246601	Frame-Assy-Contact	1	2	4	8	
9	43246801	Sensor-Assy-Regist	1	2	4	8	
10	43247501	Fuse-Cut-Assy	1	1	2	4	
11	43247701	Beam-Fuser-Assy	1	1	2	4	
12	43248005	Regist-Roller-Assy	1	2	4	8	
13	43250501	Guide-Eject-Assy-Lower	1	2	4	8	
14		Solenoid	1	2	4	8	
15		Spring-Solenoid	1	1	2	4	
16	43252401	Motor-Z18(Spur)	2	2	4	8	
17	43251801	Gear-Reduction-L-Up	1	1	2	4	
18	43253501	Gear-Reduction-L-Up2	1	1	2	4	
19	43313101	Gear-Reduction-L-Up3	1	1	2	4	
20	43361001	Gear-Reduction-L-Up4	1	1	2	4	
21		TappingScrew-B2 L=8	104	104	208	416	

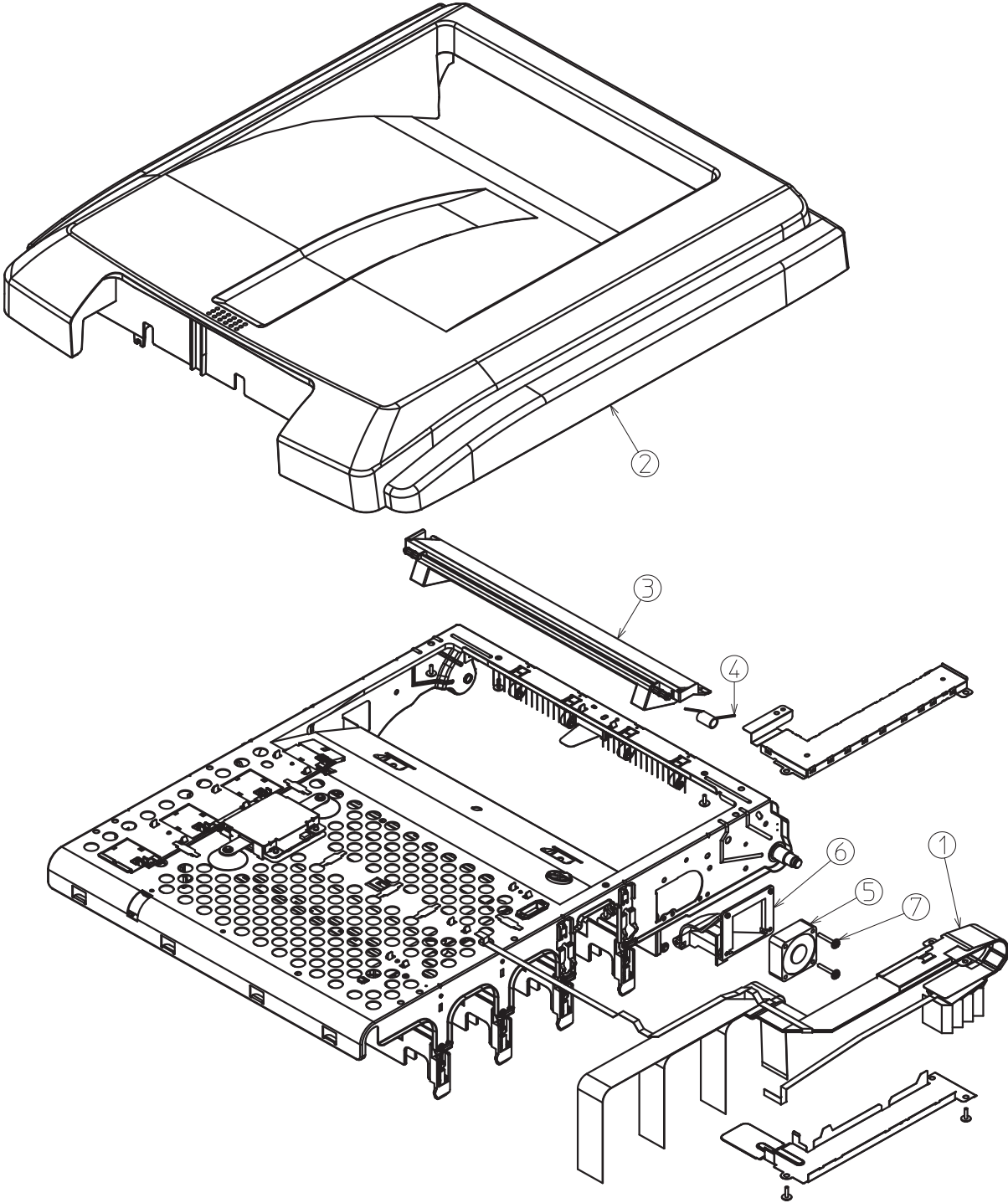
No.	Part No.	Part Name	Q'ty /Unit	Recommended Q'ty/Year			Remarks
				per 500	per 1000	per 2000	
22		TappingScrew-B2 L=10	8	8	16	32	
24		Screw (SW+2W)	2	2	4	8	
23		Cup_Screw (S Tight M3)	111	111	222	444	
26		Screw (SW+2W)	4	4	8	16	
27		Screw (SW+2W)	3	3	6	12	
24		Screw (SW+W)	1	1	2	4	
29		Screw (SW+2W)	3	3	6	12	
25		Ring	2	2	4	8	
31		Ring	2	2	4	8	

Guide-Eject-Assy-Upper



No.	Part No.	Part Name	Q'ty /Unit	Recommended Q'ty/Year			Remarks
				per 500	per 1000	per 2000	
1	43183801	Shaft Assy.-Eject(FU)	1	1	2	4	
2	43184001	Shaft Assy.-Eject(FD)	1	1	2	4	

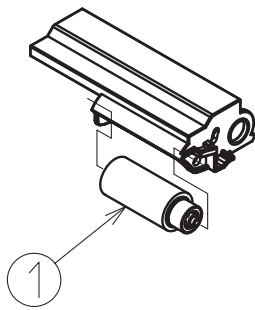
Cover-Assy-Top



No.	Part No.	Part Name	Q'ty /Unit	Recommended Q'ty/Year			Remarks
				per 500	per 1000	per 2000	
1	43311704	Cable-Assy.-Head	1	2	4	8	
2	44057601	Cover-Top	1	1	2	4	
3		Cover-Top-Sub	1	1	2	4	
4		Spring-Torsion(Sub)	1	1	2	4	
5	43793601	OR-Motor-FAN(40)	1	1	2	4	
6	43590701	Duct-Fan-FU	1	1	2	4	
7		Cup_Screw A	2	2	4	8	

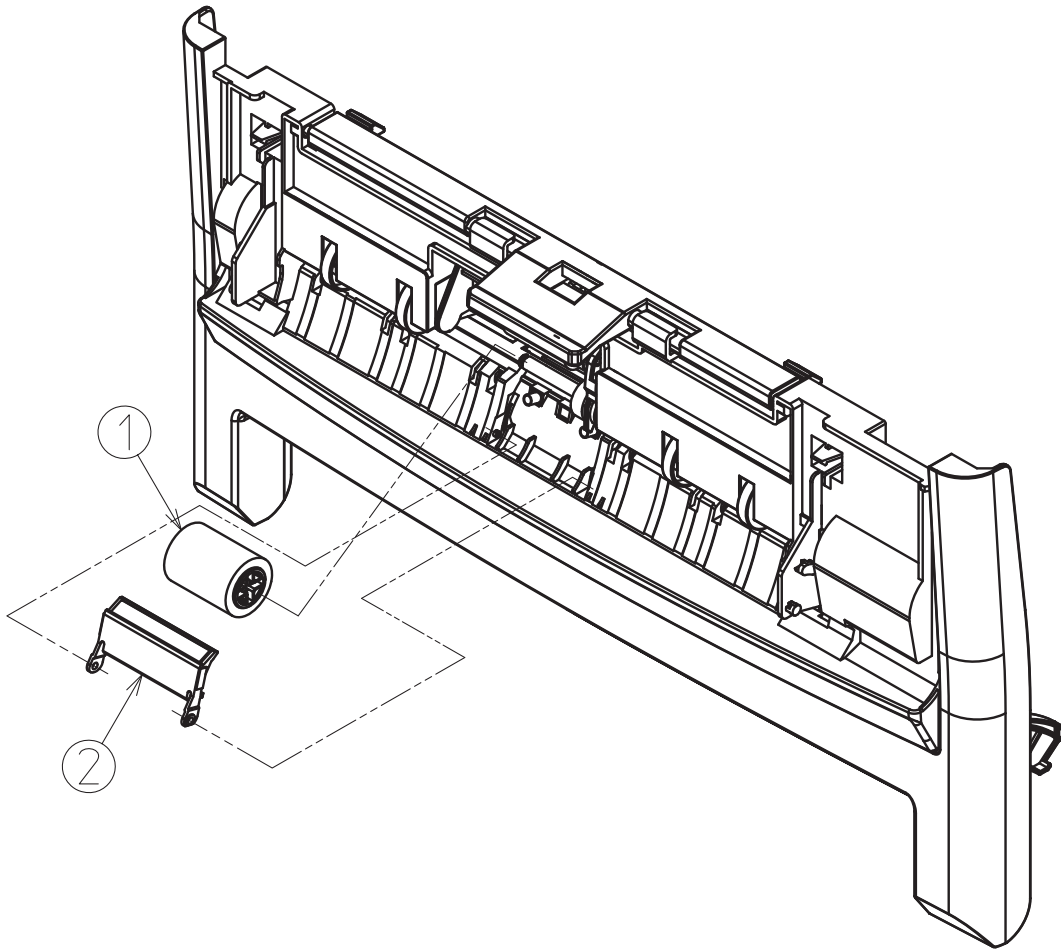
C830 Series

Holder-Pickup-Assy



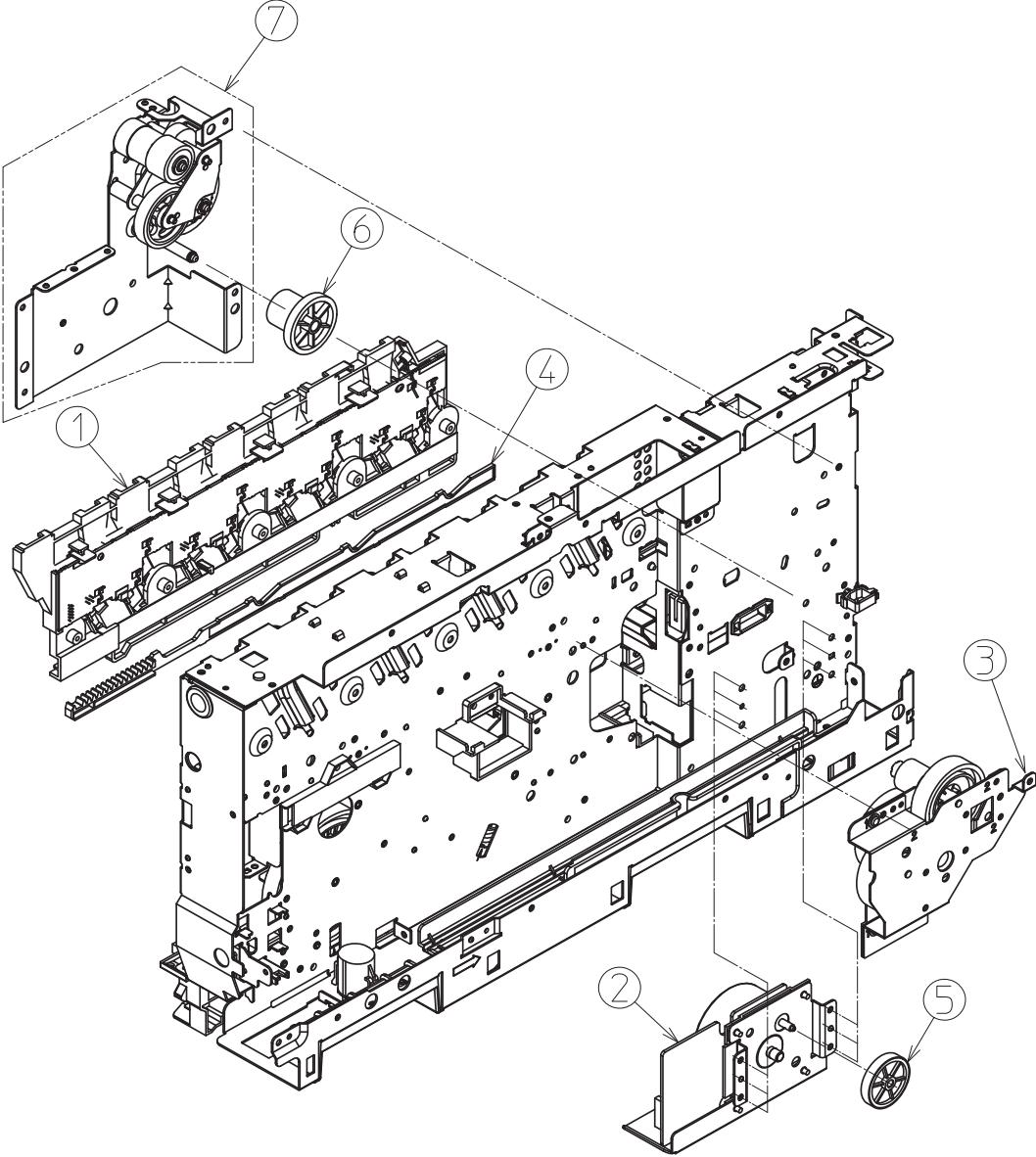
No.	Part No.	Part Name	Q'ty /Unit	Recommended Q'ty/Year			Remarks
				per 500	per 1000	per 2000	
1	43417901	Roller-Assy.-Pickup	1	3	6	12	

Cover-Front-Assy



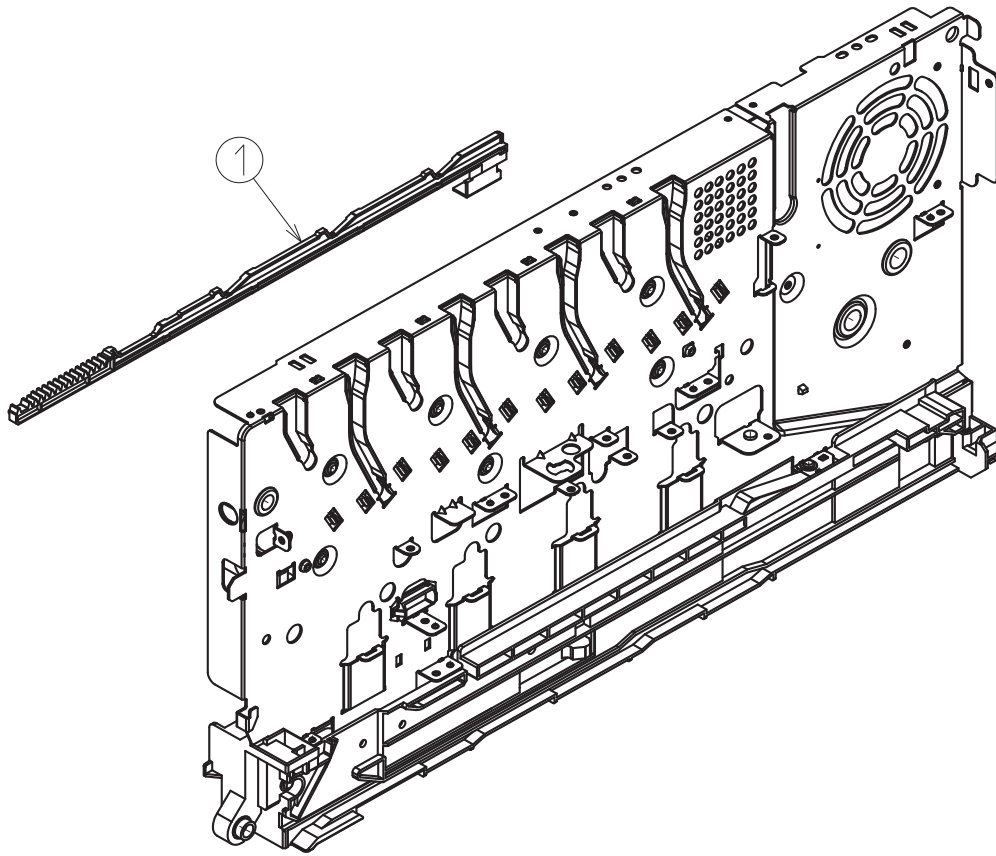
No.	Part No.	Part Name	Q'ty /Unit	Recommended Q'ty/Year			Remarks
				per 500	per 1000	per 2000	
1	43411001	Roller-Feed(OW)	1	3	6	12	
2	43418001	Frame-Assy.-Separator	1	3	6	12	

Plate-Side-R-Assy



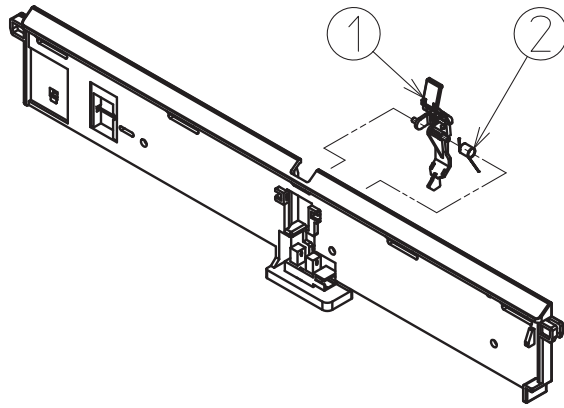
No.	Part No.	Part Name	Q'ty /Unit	Recommended Q'ty/Year			Remarks
				per 500	per 1000	per 2000	
1	43242201	Guide-Side-R-Assy	1	1	2	4	
2	43242701	Motor-Assy-Fuser	1	1	2	4	
3	43314401	Motor-Assy.-Belt	1	1	2	4	
4	43245401	Rack-Lift-Up-R	1	1	2	4	
5	43825901	Gear-Idle-Fuser	1	1	2	4	
6	43893801	Gear-Reduction-A	1	1	2	4	
7	43314101	Plate-Main2-Assy	1	1	2	4	

Plate-Side-L-Assy



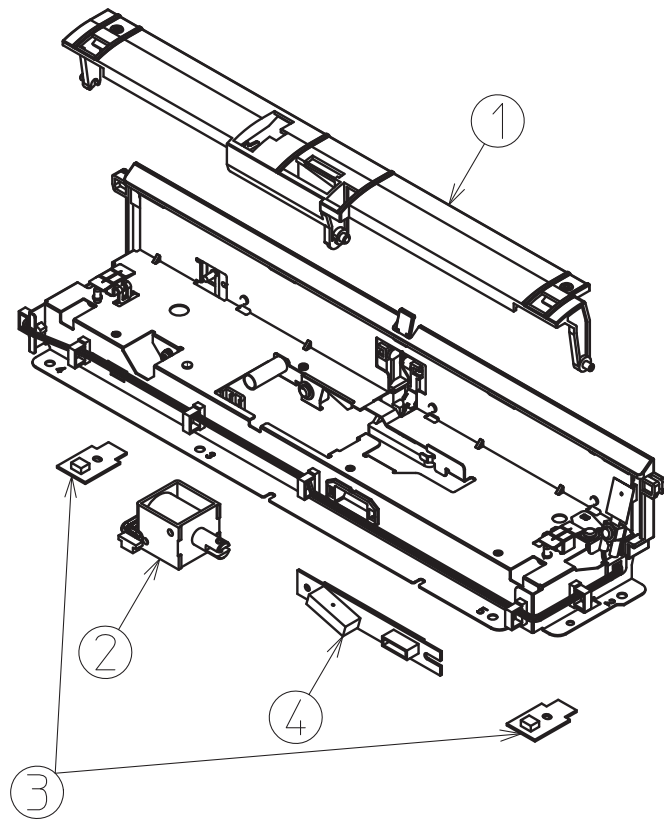
No.	Part No.	Part Name	Q'ty /Unit	Recommended Q'ty/Year			Remarks
				per 500	per 1000	per 2000	
1	43241001	Rack-Lift-Up-L	1	1	2	4	

Sensor-Assy-Fuser-A



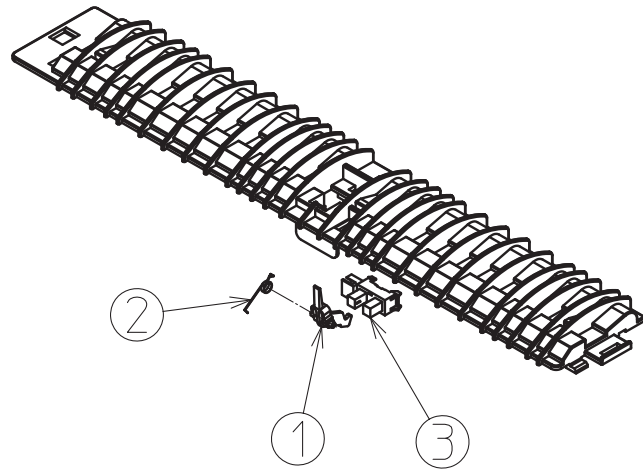
No.	Part No.	Part Name	Q'ty /Unit	Recommended Q'ty/Year			Remarks
				per 500	per 1000	per 2000	
1	43601701	Lever-Sensor-FUIN-Assy	1	1	2	4	
2	43334501	Spring-Torsion	1	1	2	4	

Sensor-Assy-Regist



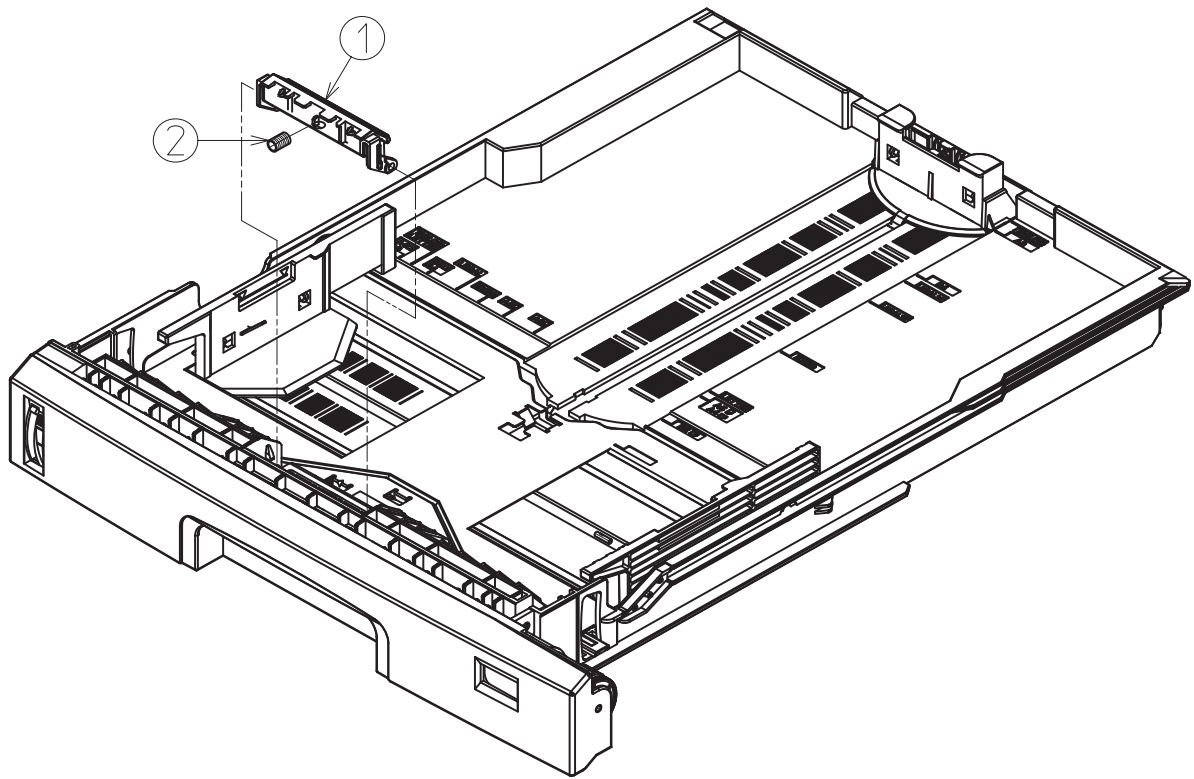
No.	Part No.	Part Name	Q'ty /Unit	Recommended Q'ty/Year			Remarks
				per 500	per 1000	per 2000	
1		Shutter-Assy	1	1	2	4	
2		DC-Solenoid	1	2	4	8	
3		OR-PRC	2	2	4	8	
4		GP2TC2J0000F	1	2	4	8	

Guide-Eject-Assy-Lower



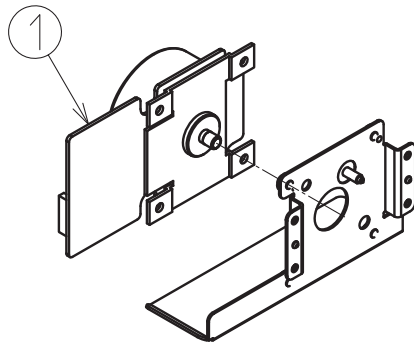
No.	Part No.	Part Name	Q'ty /Unit	Recommended Q'ty/Year			Remarks
				per 500	per 1000	per 2000	
1	42063301	Lever-Eject-Sensor	1	2	4	8	
2	40386501	Spring-SNS(F/R)	1	2	4	8	
3	40135301	Photo-Interrupter	1	2	4	8	

Cassette- Assy



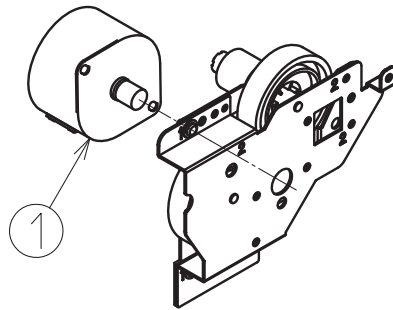
No.	Part No.	Part Name	Q'ty /Unit	Recommended Q'ty/Year			Remarks
				per 500	per 1000	per 2000	
1	42088801	Frame-Separation-Assy.	1	3	6	12	
2	42089001	Spring-Separation	1	1	2	4	

Moter- Assy- Fuser



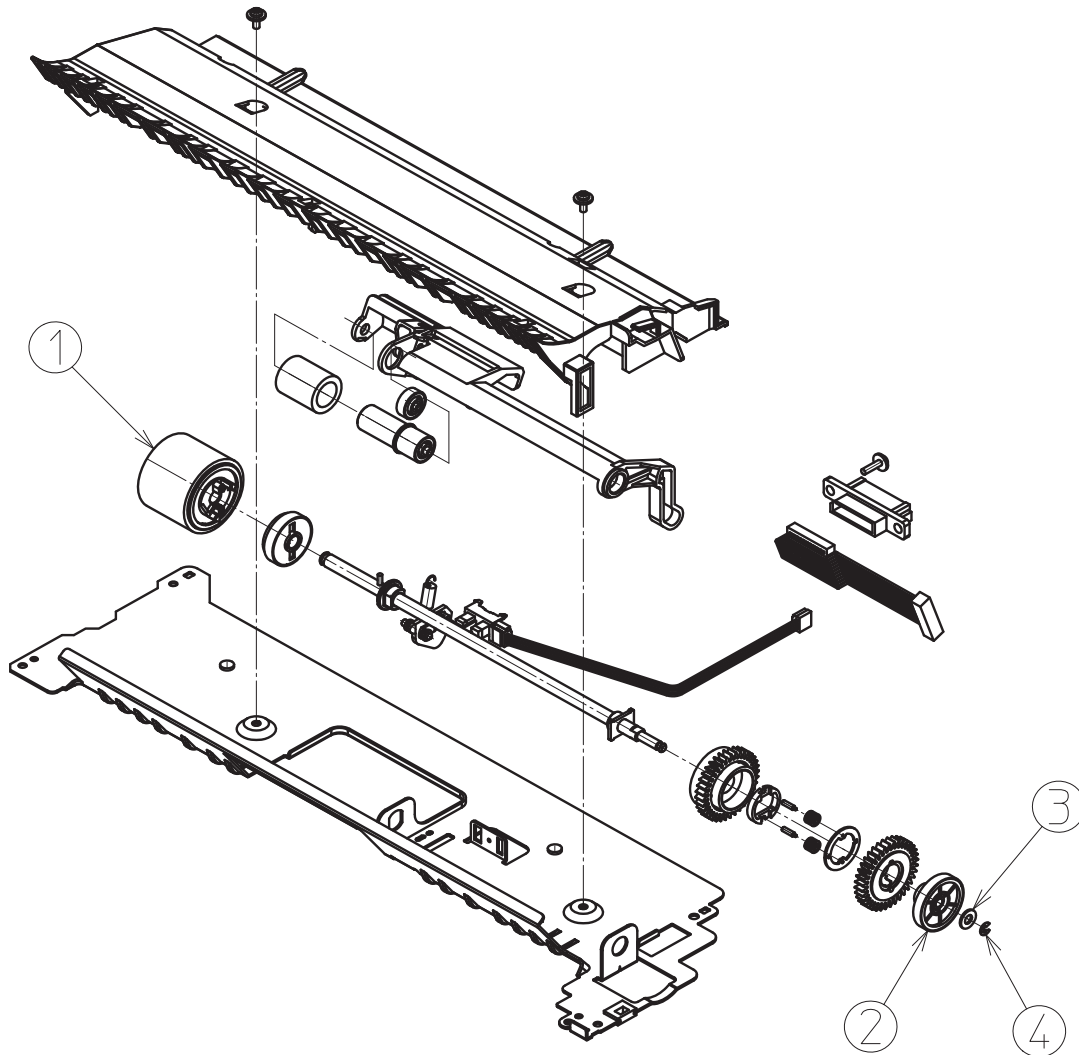
No.	Part No.	Part Name	Q'ty /Unit	Recommended Q'ty/Year			Remarks
				per 500	per 1000	per 2000	
1	43242801	Motor-DC-FU	1	1	2	4	

C830 Series
Moter- Assy- Belt



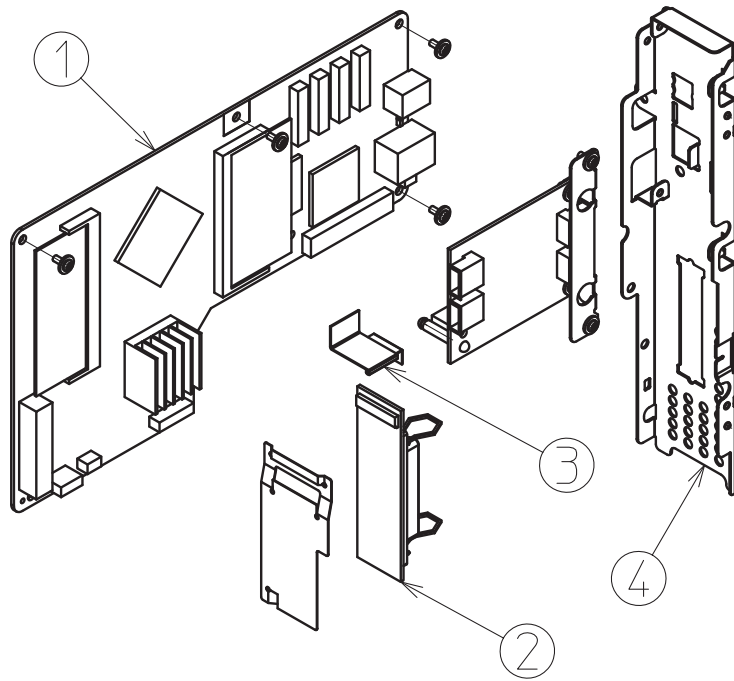
No.	Part No.	Part Name	Q'ty /Unit	Recommended Q'ty/Year			Remarks
				per 500	per 1000	per 2000	
1	43242601	Motor-Z15(Helical)	1	1	2	4	

Frame- Assy- Hopping



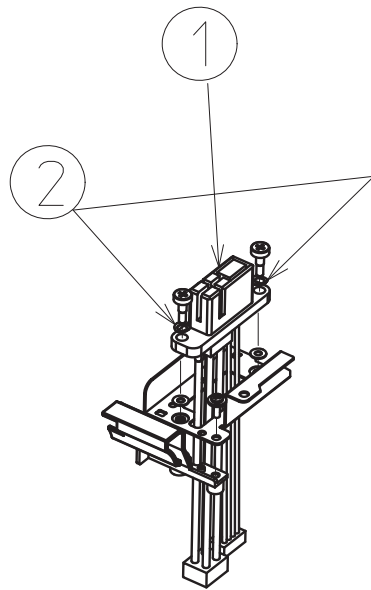
No.	Part No.	Part Name	Q'ty /Unit	Recommended Q'ty/Year			Remarks
				per 500	per 1000	per 2000	
1	43334901	Roller Assy.-Hopping	1	3	6	12	
2		Gear-Z24-50-HP	1	1	2	4	
3		Washer	1	1	2	4	
4		Ring	1	1	2	4	

C830 Series
Board-Assy-CU



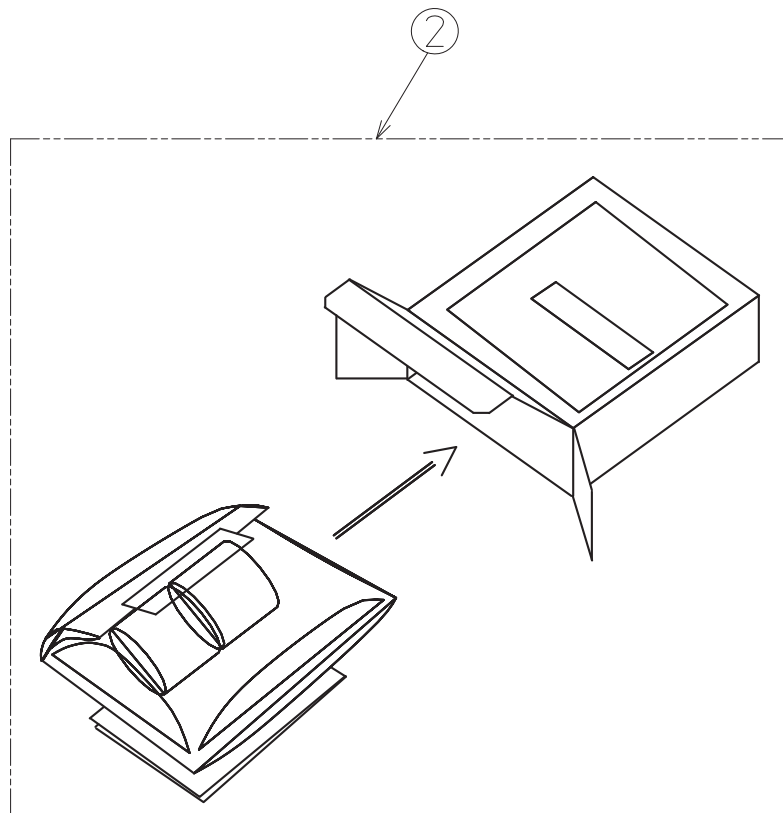
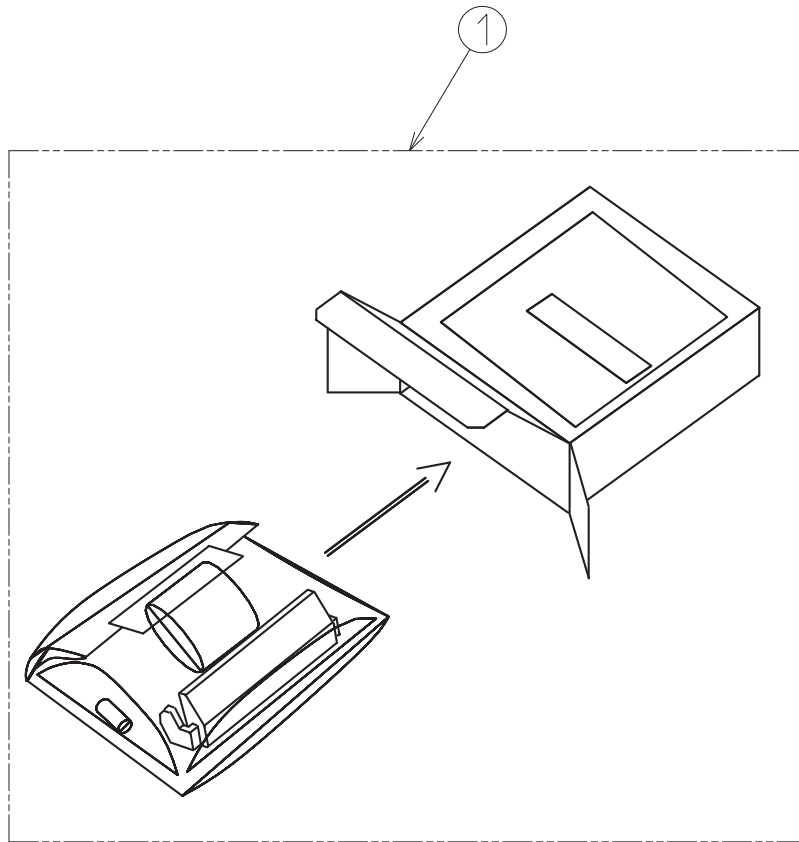
No.	Part No.	Part Name	Q'ty /Unit	Recommended Q'ty/Year			Remarks
				per 500	per 1000	per 2000	
1	43793742	TB2/TC2 maintenance board specification	1	1	2	4	
2		OR-USB HOST Board(PX736)	1	1	2	4	
3		SML2CD-32X72-BDXAUP	1	1	2	4	
4		Plate-Shield-CU	1	2	4	8	

C830 Series
Plate-Assy-Connector



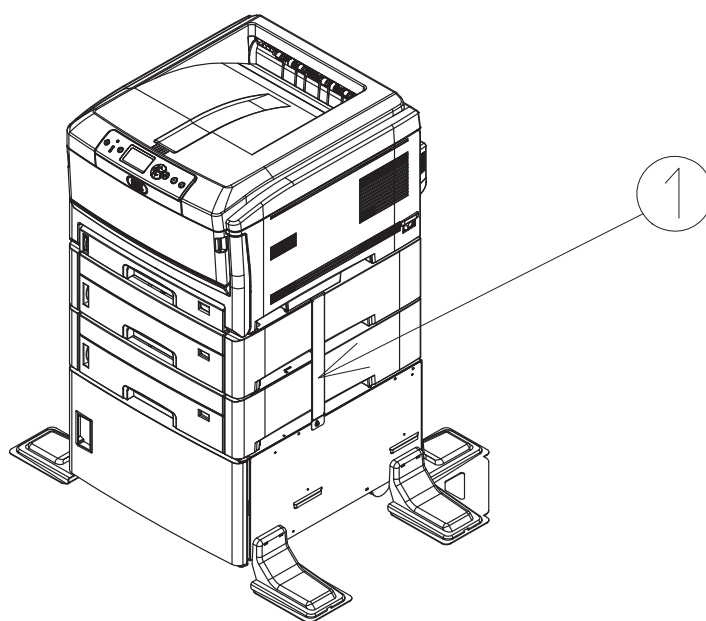
No.	Part No.	Part Name	Q'ty /Unit	Recommended Q'ty/Year			Remarks
				per 500	per 1000	per 2000	
1	43158101	CONN Cord-JST4P-JST4P	1	1	2	4	
2		WAVE WASHER A	2	1	2	4	

C830 Series
Consumable



No.	Part No.	Part Name	Q'ty /Unit	Recommended Q'ty/Year			Remarks
				per 500	per 1000	per 2000	
1	43651504	RollerSet-Tray1	1	1	2	4	ODA
2		RollerSet-MPT	1	1	2	4	ODA

C830 Series
Cabinet



No.	Part No.	Part Name	Q'ty /Unit	Recommended Q'ty/Year			Remarks
				per 500	per 1000	per 2000	
4	44150101	Plate-Connect	1	1	2	4	