

C824/C834/C835/C844/ES8434 series RSPL & Disassembly for Maintenance

(OEL)

[Rev.1]

[CAUTION]

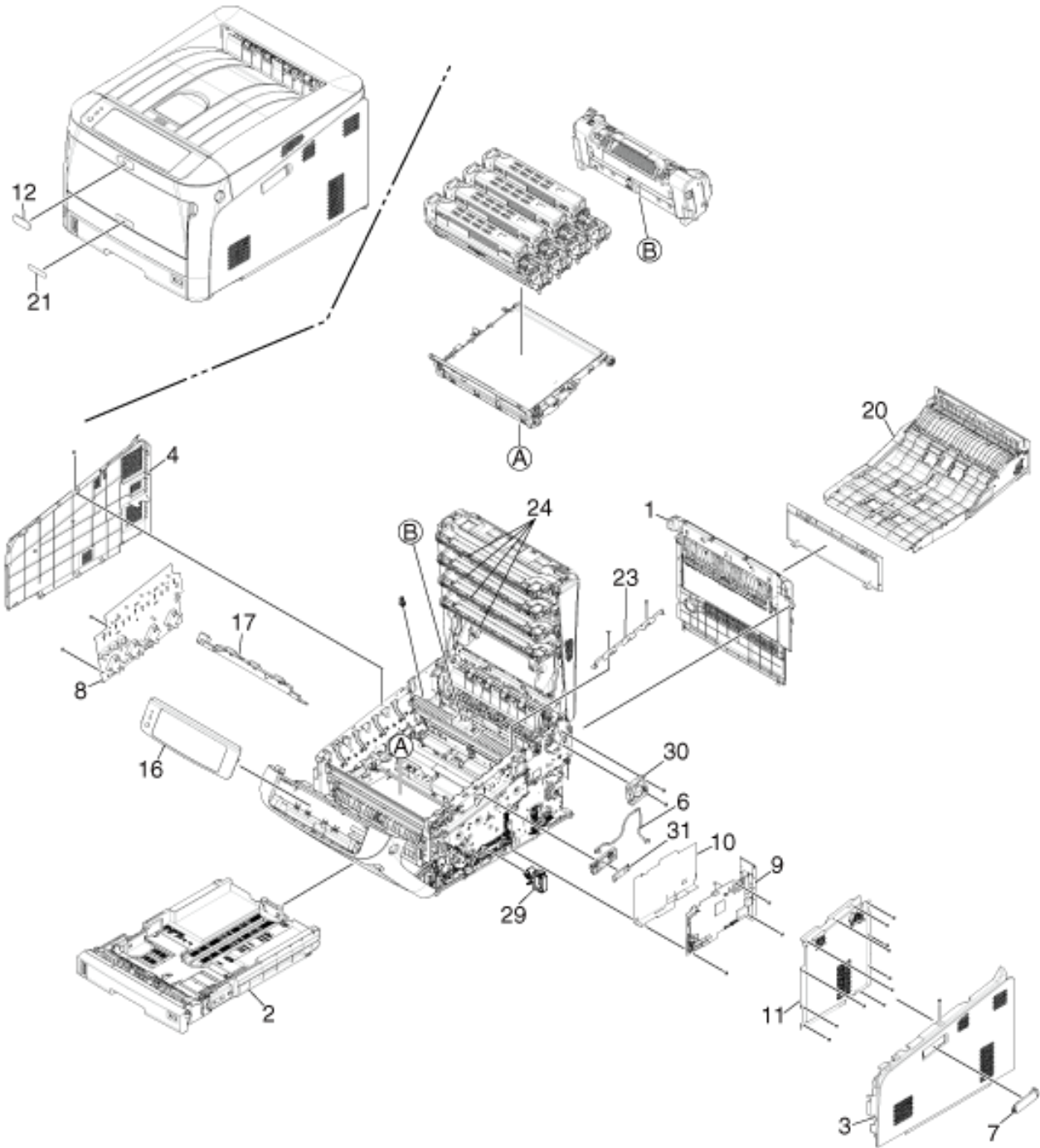
This Document is 'Oki-Data-CONFIDENTIAL'.

**It is prohibited to move the data of this document to another media
from a device to read this document.**

Only the authorized members of Oki Data have the right to access this document.

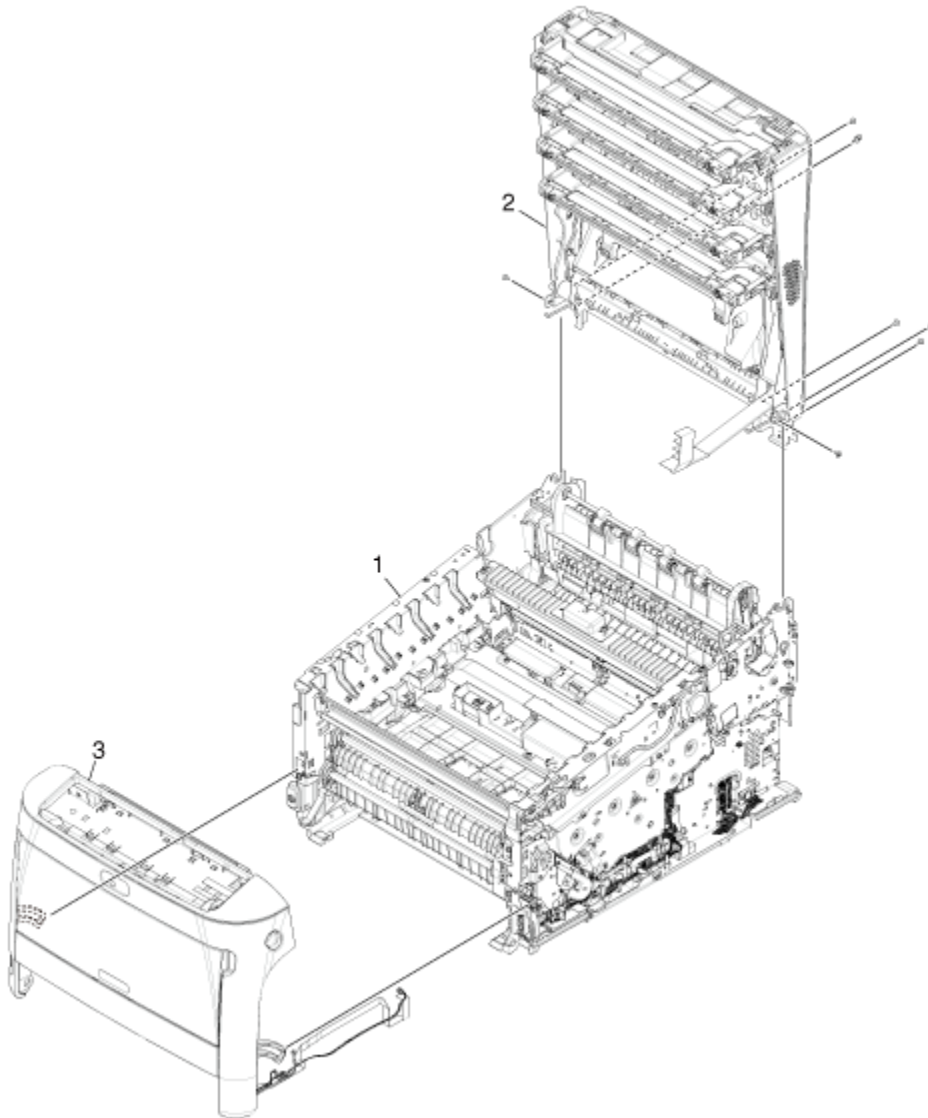
Please do not allow anyone who is not authorized by the Oki Data document manager to access this document.

C824/C834/C835/C844/ES8434 series RSPL & Disassembly for Maintenance



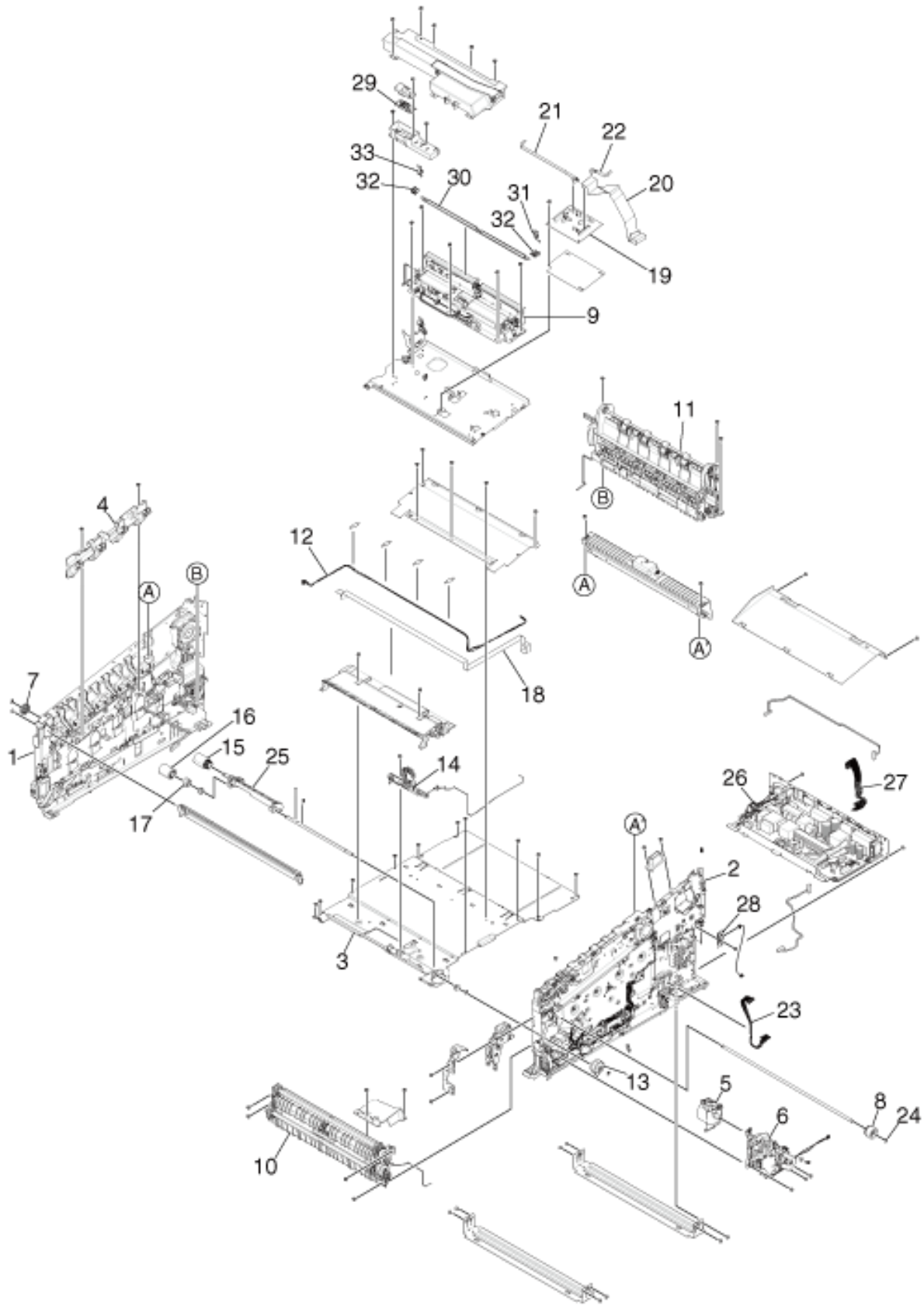
No.	Parts No.	Name
1	44734101	Cover Assy.-Rear
2	47025801	Cassette-Assy.(E2)
3	46871301	Cover-Side(R)
4	44908405	Cover-side-L-Assy
5	43618502	Spring-Head
6	45752002	CONN Cord-JST6P-JST6P
7	45829001	Cover-Access(W-LAN)
8	45765201	OR-Board-EHV
9	47075204	Board-ME2 Maintenance(C824n 600dpiOEL)
9	47075211	Board-ME2 Maintenance(C834nw 600dpiOEL)
9	47075216	Board-ME2 Maintenance(ES8434 600dpiOEL)
9	<u>47075221</u>	Board-ME2 Maintenance(C844dnw1200dpiOEL) CUPU Board
10	44735401	Insulator-Main
11	46876501	Plate-Shield
12	45249502	Plate-Logo
16	47082102	Frame Assy.-OP-Panel
17	44807301	Cover-Gasket
20	47079402	Duplex-Unit-C8x4_Spare
21	44128781	Plate-Name_C834
21	44128783	Plate-Name_C844
21	44128784	Plate-Name_C824
23	46978301	Plate-Lockout
24	46955301	LED Head Unit-53TRP (*600dpi)
24	<u>46955401</u>	LED Head Unit-63TRP (*1200dpi) C844
29	44818901	Clamp-Cable
30	2702071P0003	D06R-24TH20B(AX)
31	45711601	Wireless LAN Module (DNUB-O1)(*Except ODBJ/OSKR)

Printer-Unit



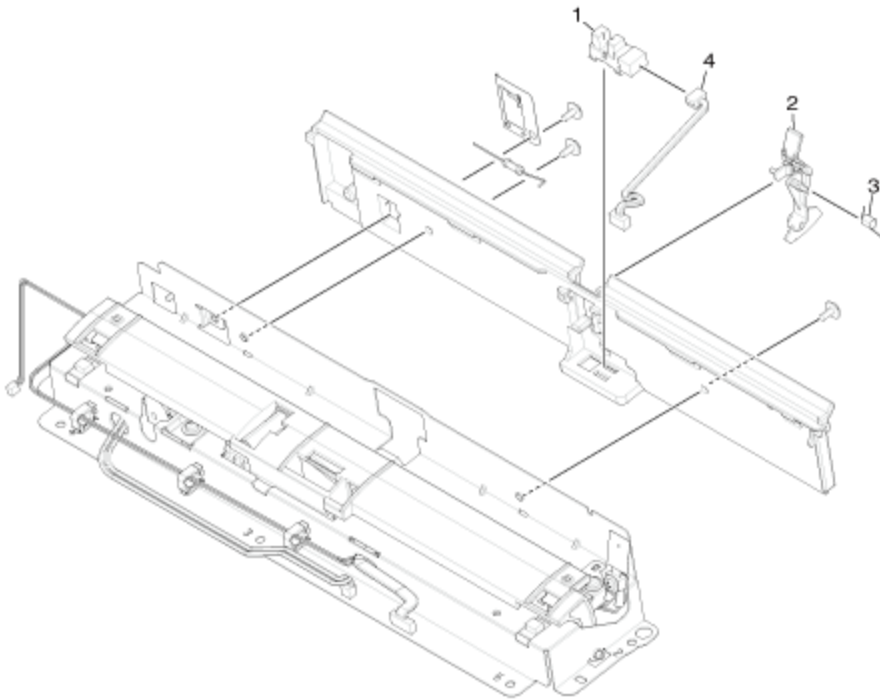
No.	Parts No.	Name
1	47081701	Frame Assy.
2	47081802	Cover Assy.-Top_600/1200dpi
3	47082301	Cover Assy.-Front

Frame-Assy



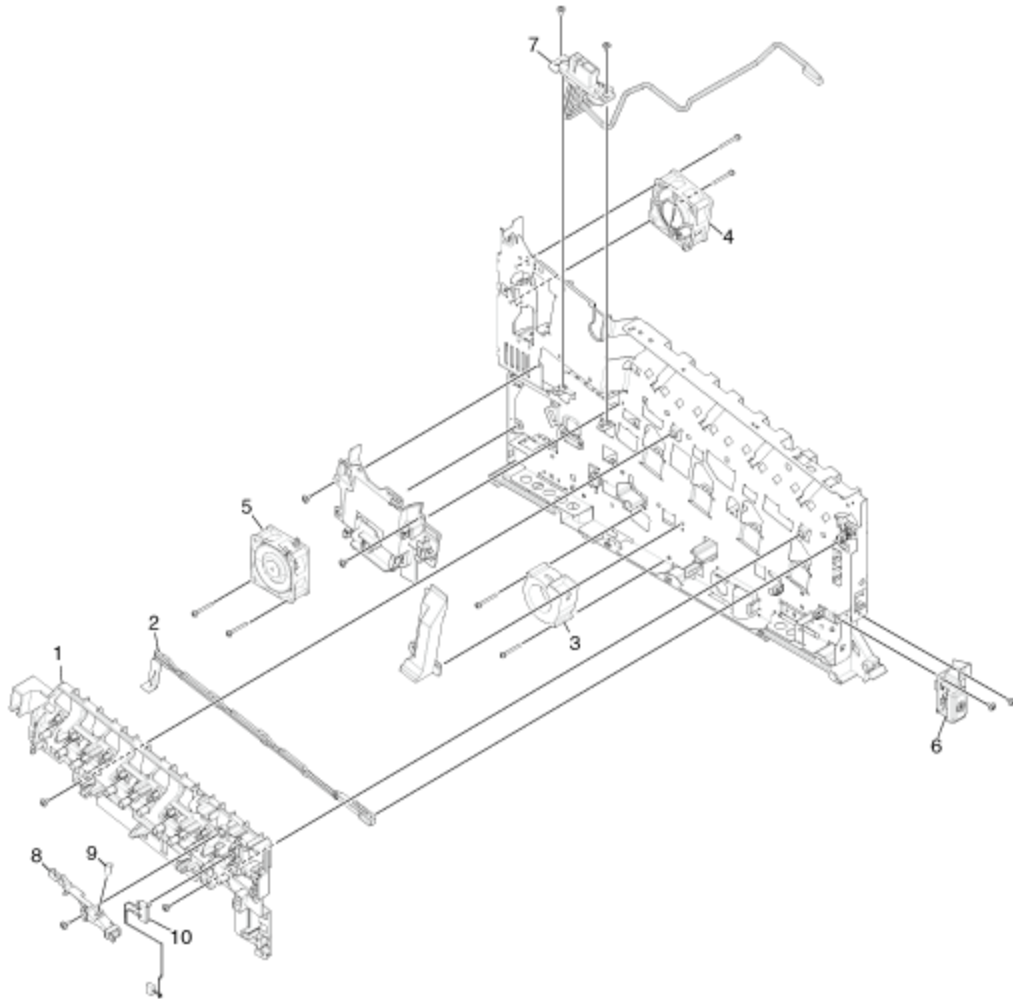
No.	Parts No.	Name
1	47082401	Plate Assy.-Side-L
2	47081201	Plate Assy.-Side-R
3	44694501	Plate-Base
4	44817902	Frame-Assy-Contact
5	44725902	Gear Assy.-Hopping_P5
6	44726401	Gear Assy.-ID-Liftup
7	44696201	Gear-Liftup-C
8	44819801	Gear-Liftup-D
9	47081301	Sensor Assy.-Regist
10	44726707	Roller Assy.-Regist
11	44726904	Guide Assy.-Eject(E2)
12	44743001	CONN Cord-JST4P-JST4P
13	44690201	Clutch-Hop
14	44725603	Holder-SNS-Assy
15	43000601	Roller-Feed-NOW
16	42699401	Roller-Pick-Up
17	43346601	Gear-Feed
18	47020701	FFC-HVOLT(bend)
19	47021701	OR-Board Assy.MER
20	44907101	FFC-Relay-Bend
21	44907201	FFC-RCR-Bend
22	44907301	FFC-LCR-Bend
23	46853001	CONN Cord-JST8P-JST8P
25	44725701	Frame Assy.-PickUP
26	47081401	LV-POW-Assy.
27	46996701	CONN Cord-JST24P-JST26P
28	47076001	OR-Board-CNR
29	45540601	OR-Board-F1G
30	46941301	Plate Assy.-Separator
31	46888601	Spring-Guide(Sep_R)
32	46868401	Stopper-Sep
33	46889101	Spring-Guide(Sep_L)

Sensor-Assy-Regist



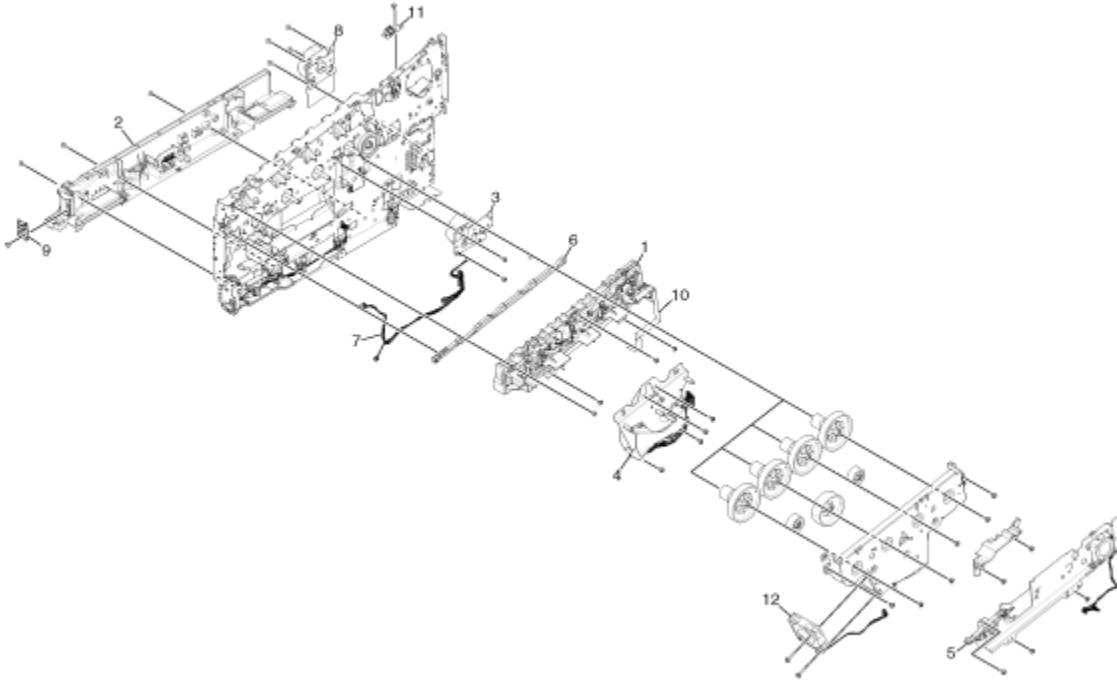
No.	Parts No.	Name
1	45723601	GP1A173LCS3F
2	44896201	Lever-Sensor-FUIN-Assy
3	43334501	Spring-Torsion
4	44898301	CONN Cord-AMP3P-AMP4P

Plate-Assy-Side-L



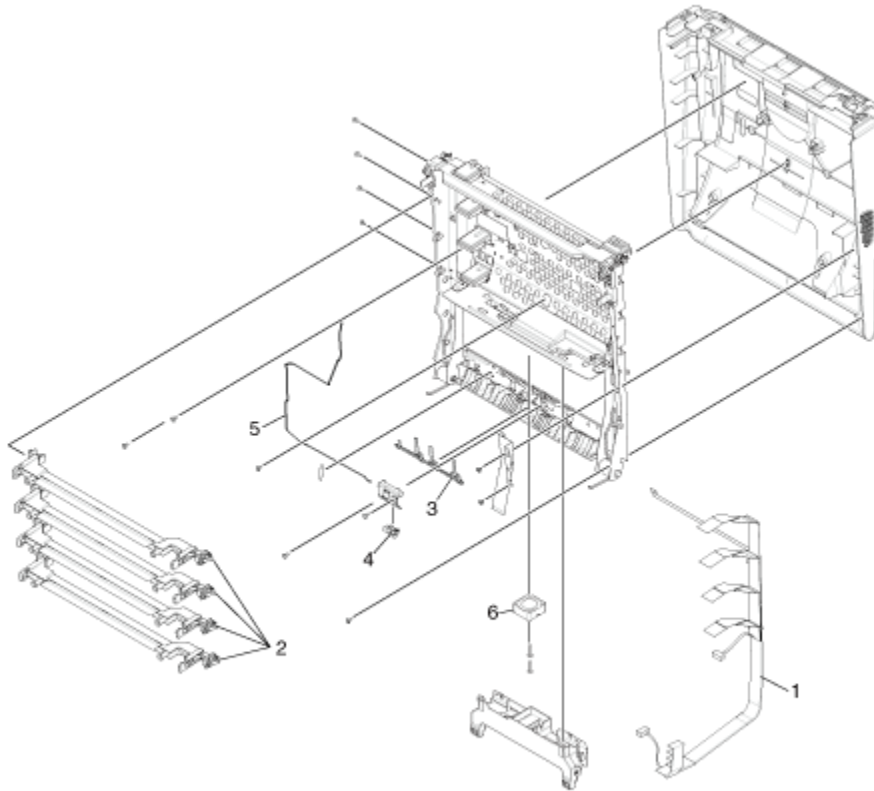
No.	Parts No.	Name
1	44738301	Guide Assy.-Side-L
2	44705701	Rack-L
3	2702071P0002	D05F-24BM06B(EX)
4	46977701	Motor-Fan(60)
5	46552501	Motor-Fan(60)
6	44764901	SW Assy.-Front
7	47018101	Plate Assy.-Connector
8	45854801	Lever-Sensor-Top-Assy
9	44683101	Spring-Stopper
10	44893401	CONN Cord-AMP4P-SW

Plate-Assy-Side-R



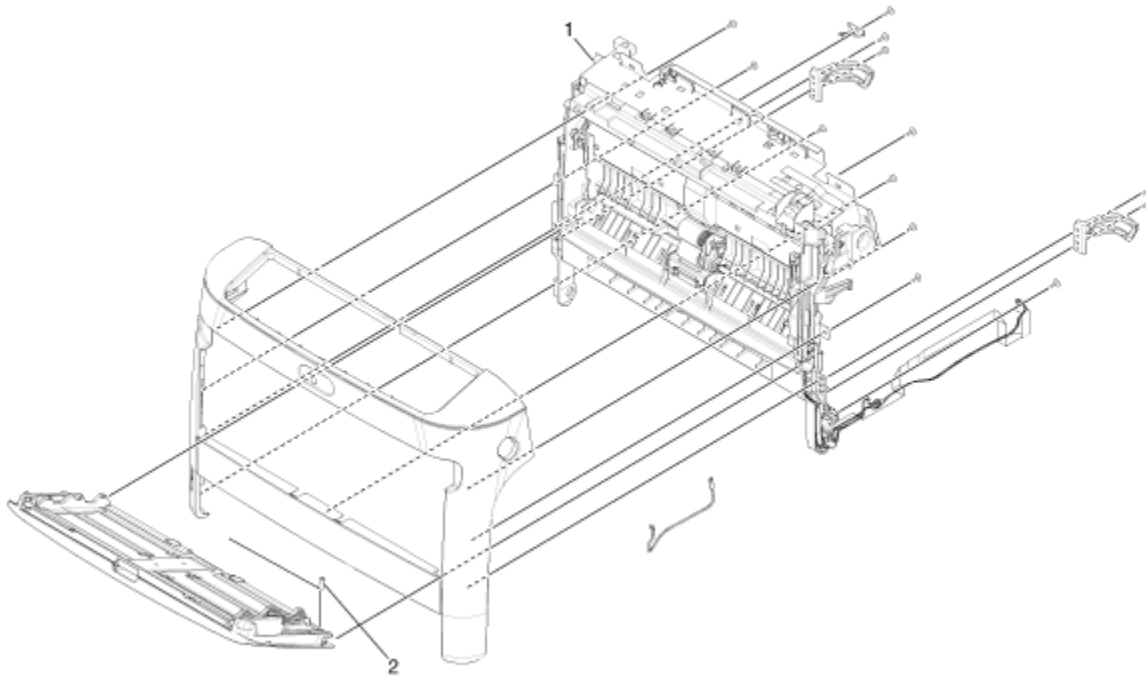
No.	Parts No.	Name
1	47083401	Guide Assy.-Side-R
2	44724501	Guide Assy.-Cassette-R
3	44724801	Motor Assy.-Belt
4	44805202	Motor Assy.-ID
5	44725101	Plate Assy.-Tonner
6	44688601	Rack-R
7	43360401	CONN Cord--AMP5P-AMP5P
8	44725301	Motor-DC-FU
9	44724701	Lever-Paper-Size
10	47084301	FFC-SSNS-Bend
11	47075801	OR-Board-MET
12	2702071P0003	D06R-24TH20B(AX)

Cover-Assy-Top



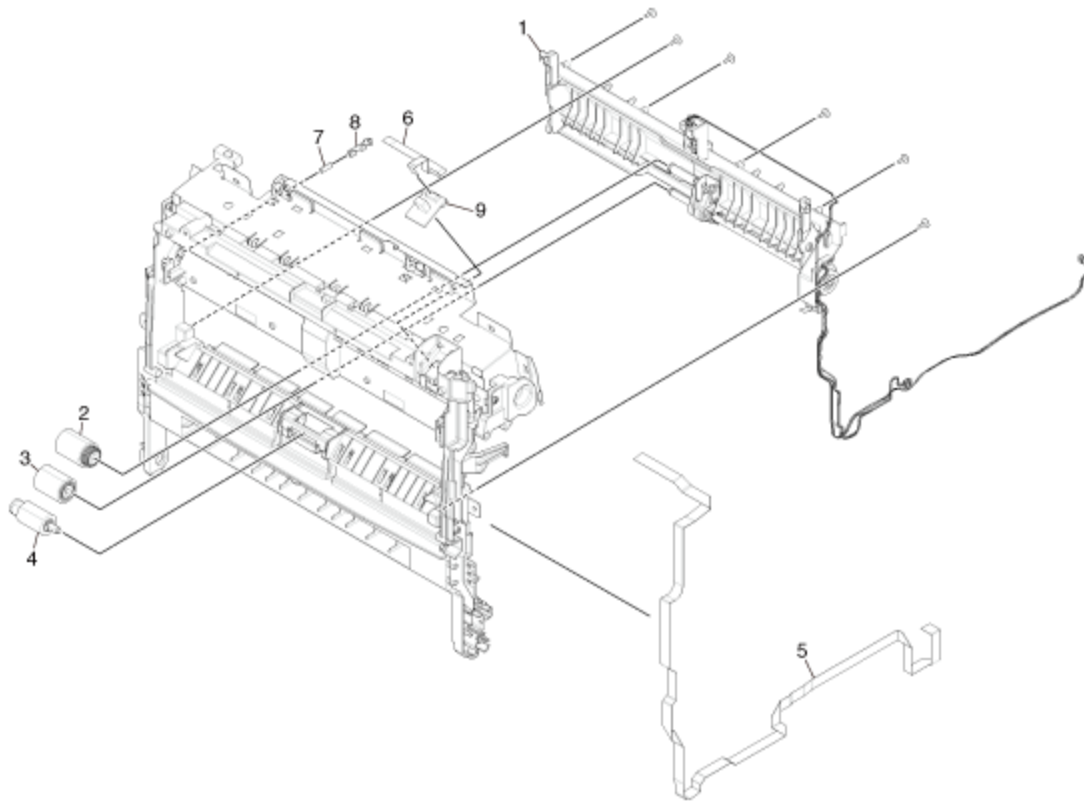
No.	Parts No.	Name
4	47024204	Cable-Assy.-Head(600dpi)
1	47028201	Cable-Assy.-Head(600/1200dpi)
2	47081601	Holder-Head-Assy.
3	44701401	Lever-Sensor-Stackfull
4	6520028M0002	GP1A173LCS3F
5	44657102	CONN Cord-JST3P-AMP3P
6	46977801	Motor-Fan(40)

Cover-Assy-Front



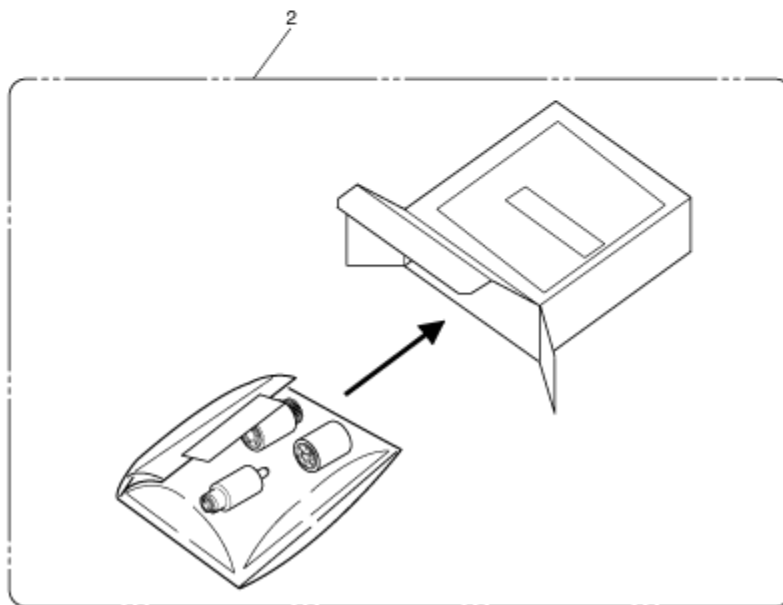
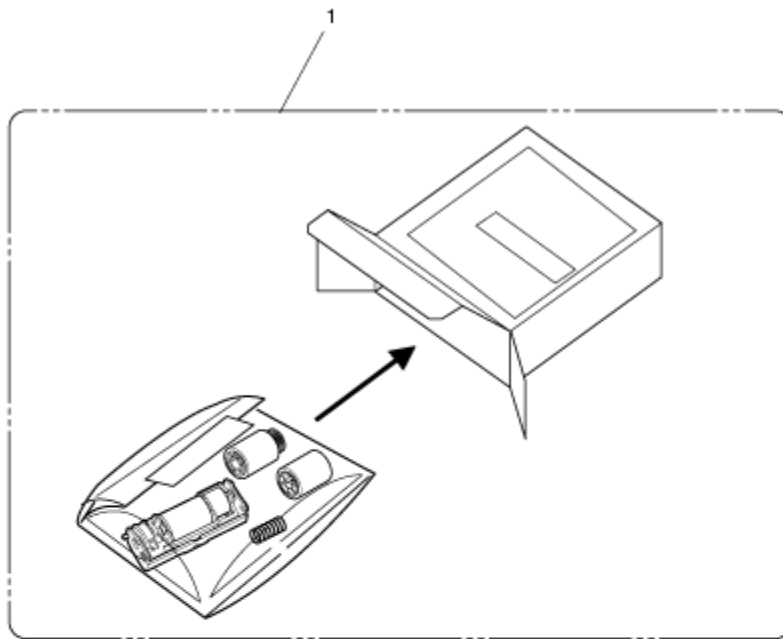
No.	Parts No.	Name
1	47023901	Frame Assy.-Front
2	44733801	Spring-Hopper-FG

Frame-Assy-Front



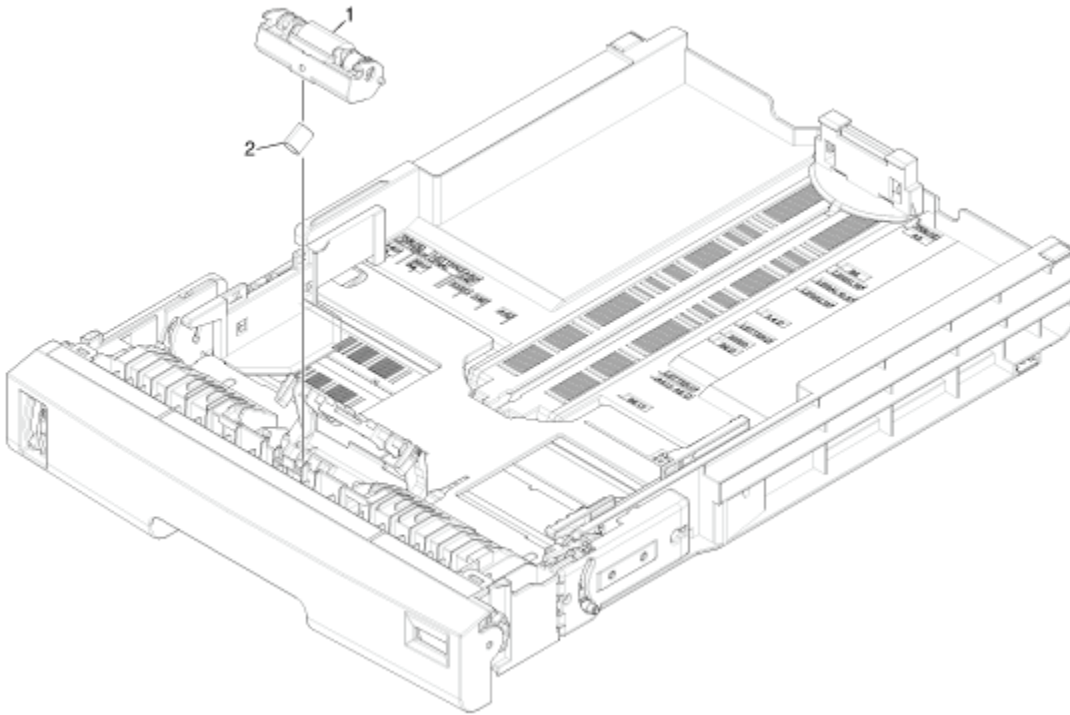
No.	Parts No.	Name
1	47023001	Guide-Sheet-Assy.-Front
2	47023101	Roller-PickUP
3	44750301	Roller-Feed-NOW
4	44732301	Roller Assy.-Retard
5	47023301	FFC-OP-Bend
6	47023401	FFC-ENV
7	44852401	Spring-Slider
8	44833401	Slider-Switch
9	45392410	OR-Board-8TH-10

Consumable



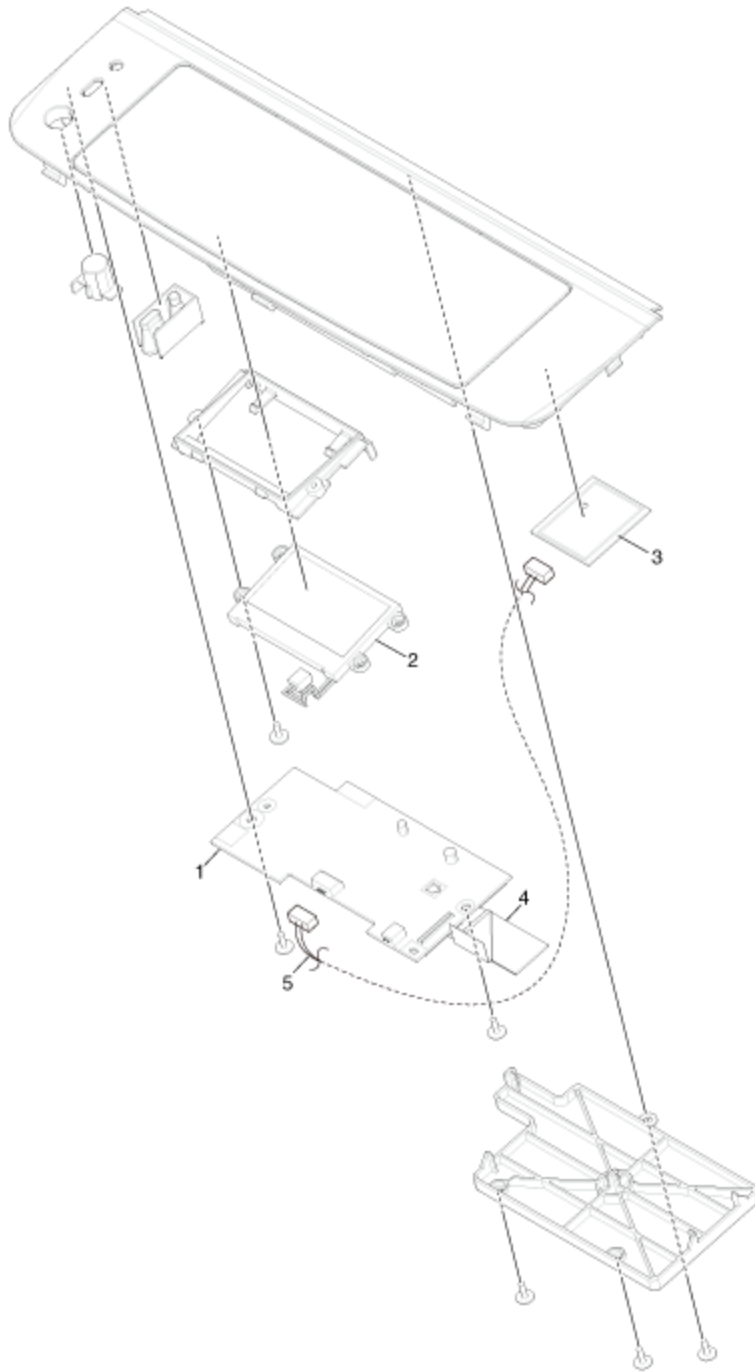
No.	Parts No.	Name
1	43982204	Roller-Feed-Kit(OEL)
2	47212903	Roller-Kit-MPT(E2)_OEL

Cassette-Assy



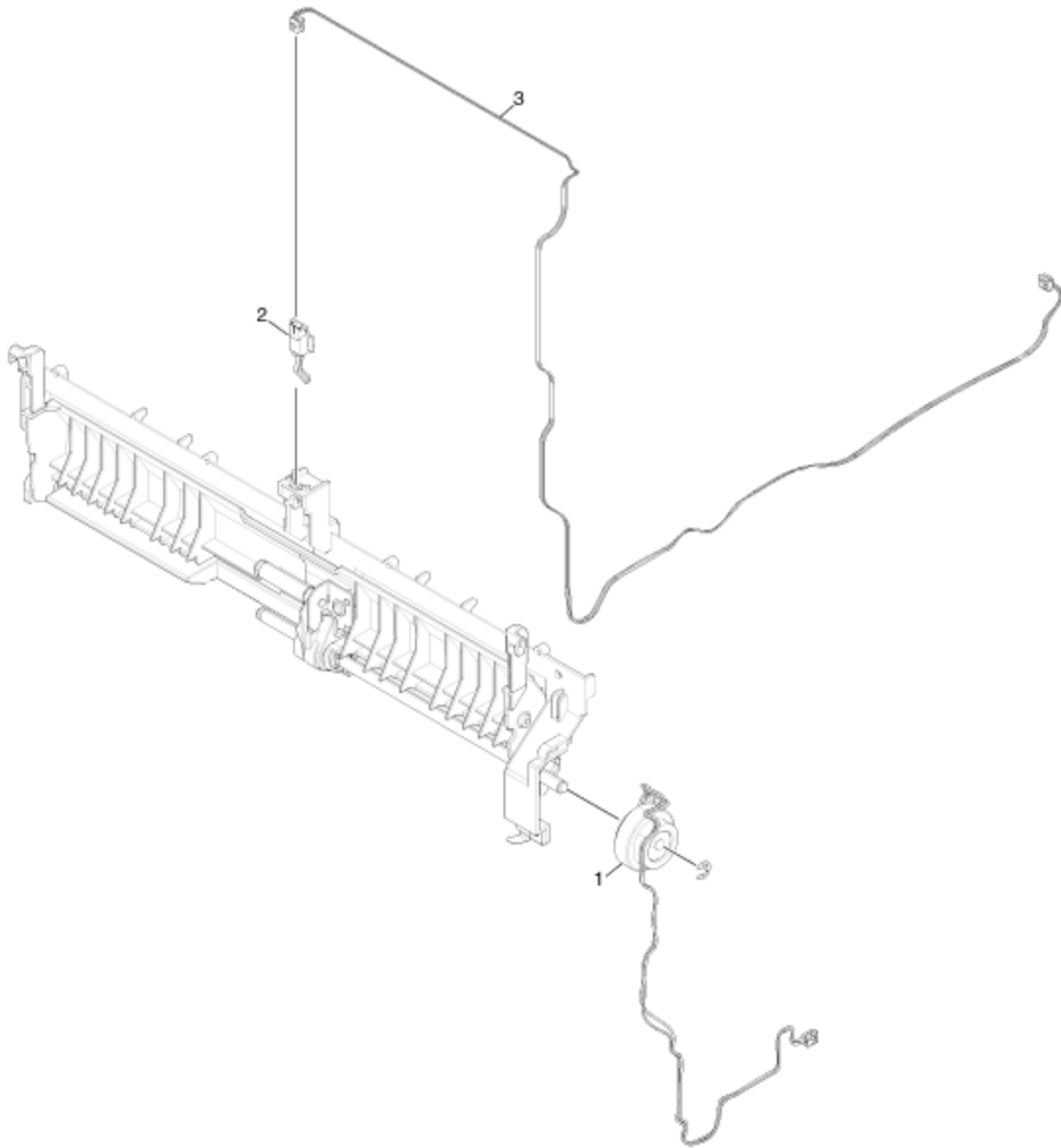
No.	Parts No.	Name
1	43895001	Frame-Assy-Retard
2	43963101	Spring-Retard

Frame-Assy-OP-Panel



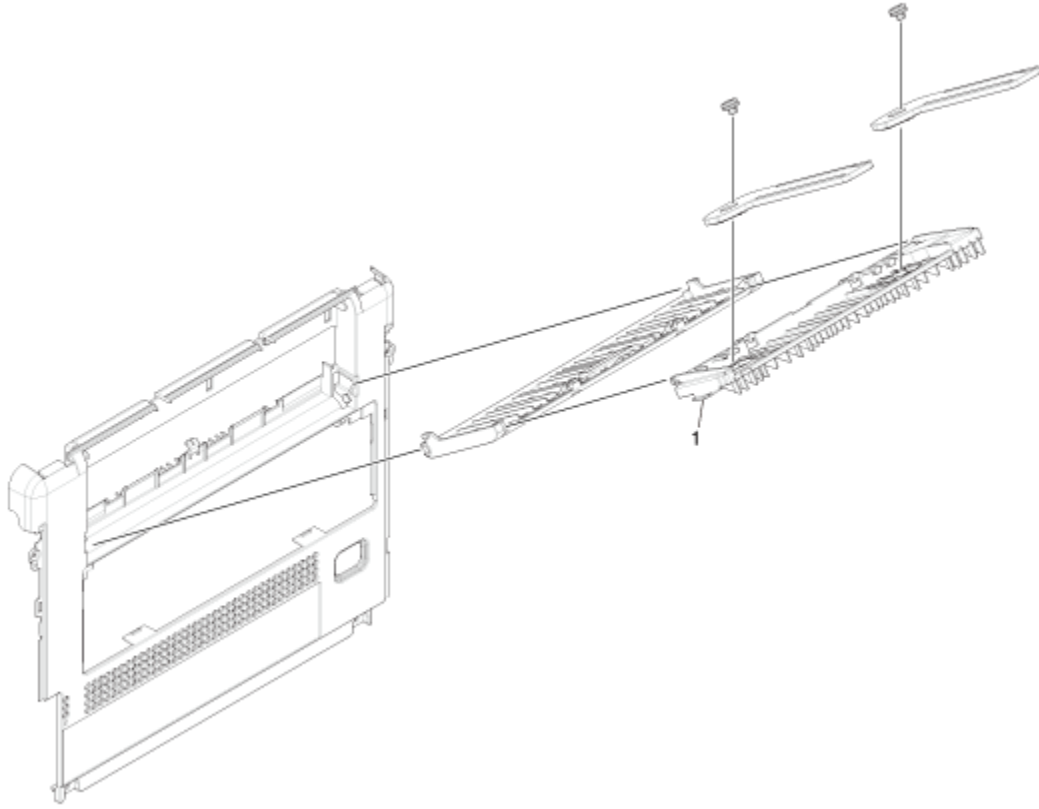
No.	Parts No.	Name
1	47213001	Board-M2P Maintenance
2	5150004P0001	GWMS8915
3	46672801	NFC Module
4	47108201	FFC-Touch-Bend
5	46854901	CONN Cord-JST5P-JST5P

Guide-Sheet-Assy-Front



No.	Parts No.	Name
1	44690203	Clutch-MPT
2	47304501	Switch Assy.-PE (*Switch with Film(Must not use except PX756Enh2)
3	45832701	CONN Cord-AMP3P-JST2P(MPT-PE)

Cover-Assy-Rear



No.	Parts No.	Name
1	44703701	Cover-FaceUP-B