

OKI

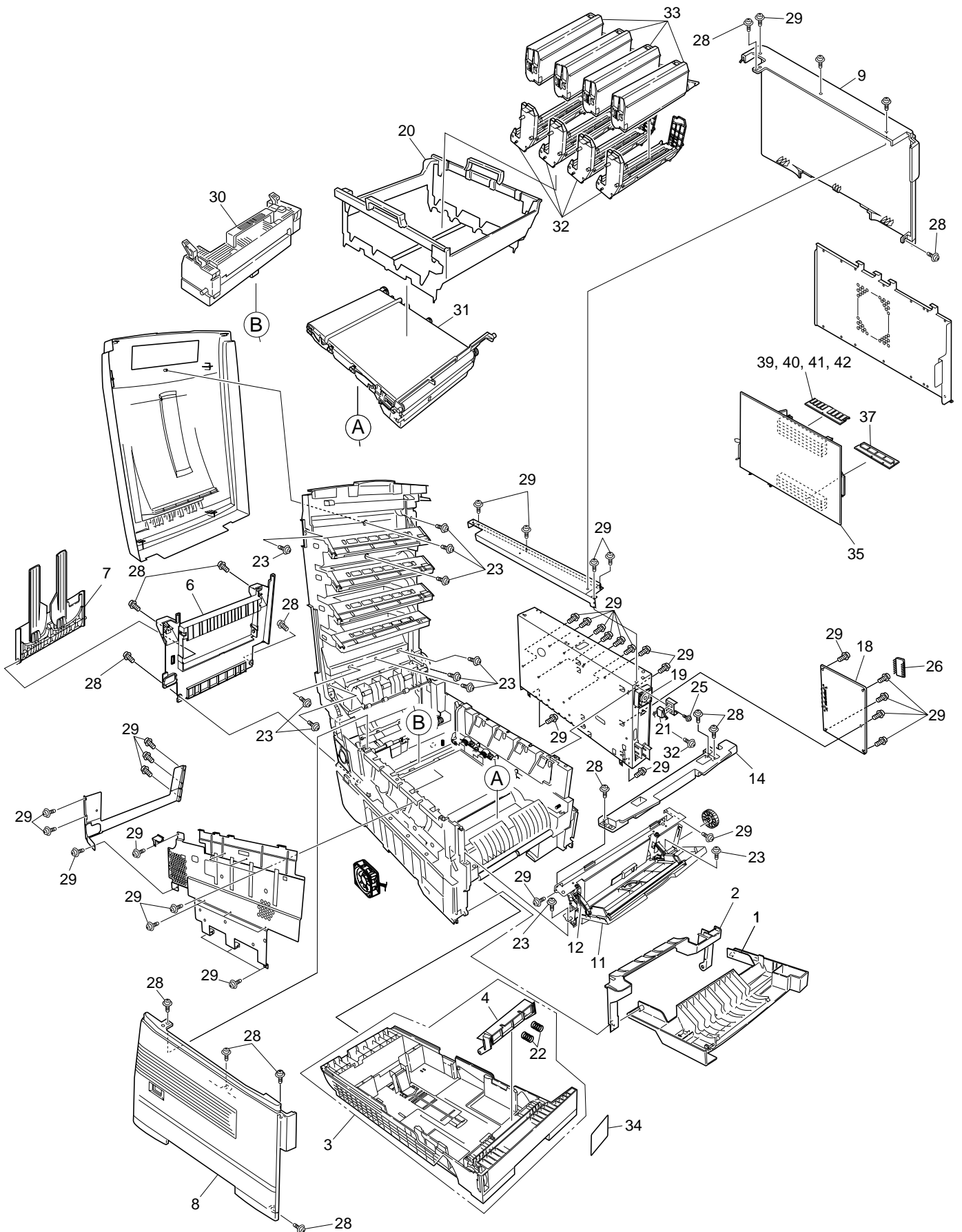
C7300/C7350/C7500/C7550

Spare Parts

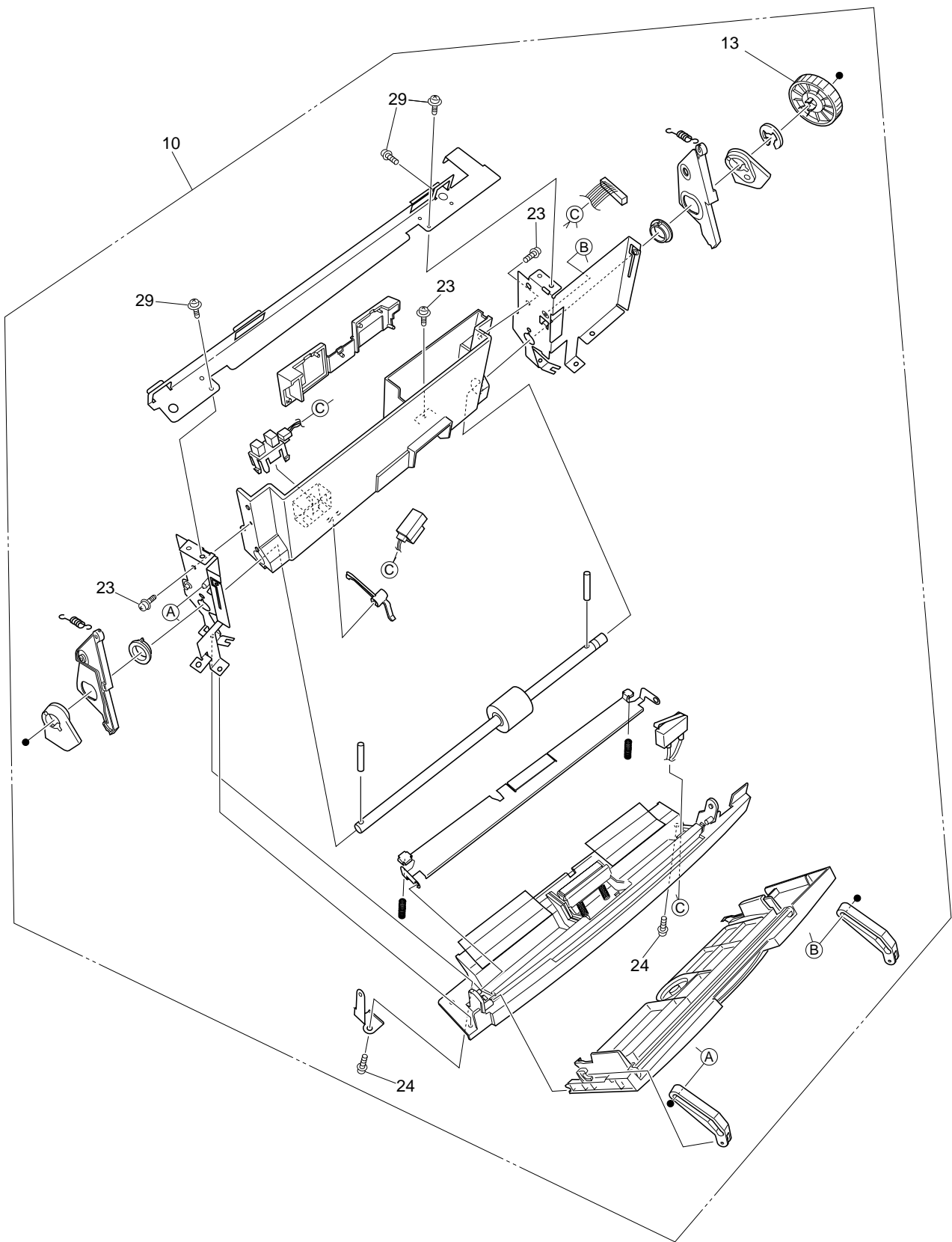
Illustration Manual

080306J

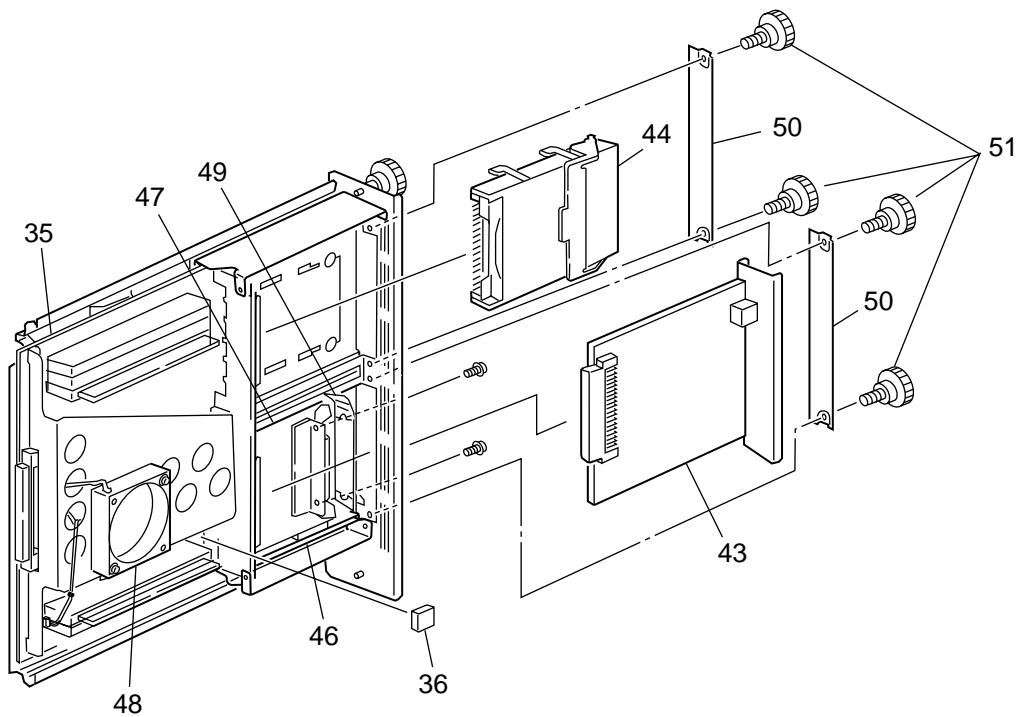
Main Assembly(1/3)



Main Assembly(2/3)



Main Assembly(3/3)



Main Assembly

No.	Parts No.	Name					Remarks	
33								
	34	41377401	Plate-Indicator	1	3	6	12	
	35	41884009	Board CU-TIG-3	1	3	6	12	
42503109		Board CU-HME	1	3	6	12		
36		EEPROM(CU)	1	3	6	12	93C86(for TIG)	
		EEPROM(CU)	1	3	6	12	24C32(for HME)	

Main Assembly

NO.	Parts No.	Name					Remarks
37	42277502	Board - ROM DIMM					C7500 ROM DIMM (Rev A)
	42277506	Board - ROM DIMM					C7300 ROM DIMM (Rev A)
	42277521	Board - ROM DIMM					C7300/C7500 ROM DIMM (Rev B)
	42567303	Board - ROM DIMM					C7350/C7550 ROM DIMM All 7350/7550 are Rev B Rev A DOES NOT Apply
38							
39	70041001	Board-Memory 64MB					
	70041101	Board-Memory 128MB					
	70041201	Board-Memory 256MB					
	70041901	Board-Memory 512MB					
40							
41							
42							
43	41705103	Oki LAN 6200e					
	41507701	Oki LAN 8100e					Rev B Only
44		HDD Assy.					
45							
46	41278601	Guide-Rail (A)					
47	41278701	Guide-Rail (B)					
48	41410201	Motor-Fan for CU					
49	41467401	Plate-FG (Centro)					
50	41254601	Plate-Blank					
51		Screw					
52		Core LAN Cable					

CU Assy confirmation subject.

[CU main board]

There are two kinds of CU main boards of C7550/C7350,C7500/C7300.

OLD Version : TIG-3

NEW Version : HME

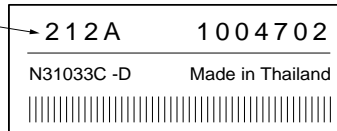
ROM DIMM and EEPROM of each board cannot be used with the board of another side.

Combination	OK/NG	Main Board	Program DIMM	EEPROM
OLD Version	OK	TIG-3	Ver.x1.xx or x2.xx	93C86
NEW Version	OK	HME	Ver.x3.xx or x4.xx	24C32
NG Combination	NG Blank LCD	TIG-3	Ver.x1.xx or x2.xx	24C32(NG)
		TIG-3	Ver.x3.xx or x4.xx(NG)	93C86
		HME	Ver.x1.xx or x2.xx(NG)	24C32
		HME	Ver.x3.xx or x4.xx	93C86(NG)

How to recognize

1:Serial No.

OLD Version xxxA xxxxxxxx
NEW Version xxxB xxxxxxxx or
SAP system serial No.



2:Menu Map printing(CU F/W Ver.)

OLD Version : x1.xx or x2.xx

NEW Version : x3.xx or x4.xx

3:Board appearance

OLD Version :

NEW Version : There is printing of "NBC-2" on the board.
The position of HDD and Centoro.(See page 150)

[Program ROM DIMM]

There are two kinds of program ROM DIMM.

CRF : Flash ROM DIMM

TNY : P2ROM DIMM

Flash ROM is rewritable.

P2ROM is not rewritable.(Parts number are also changed whenever the versions change.)

[NIC Card]

There are three kinds of NIC Cards.

Okii LAN 6200e+ ODA

Okii LAN 7300e ODA/OEL/APS

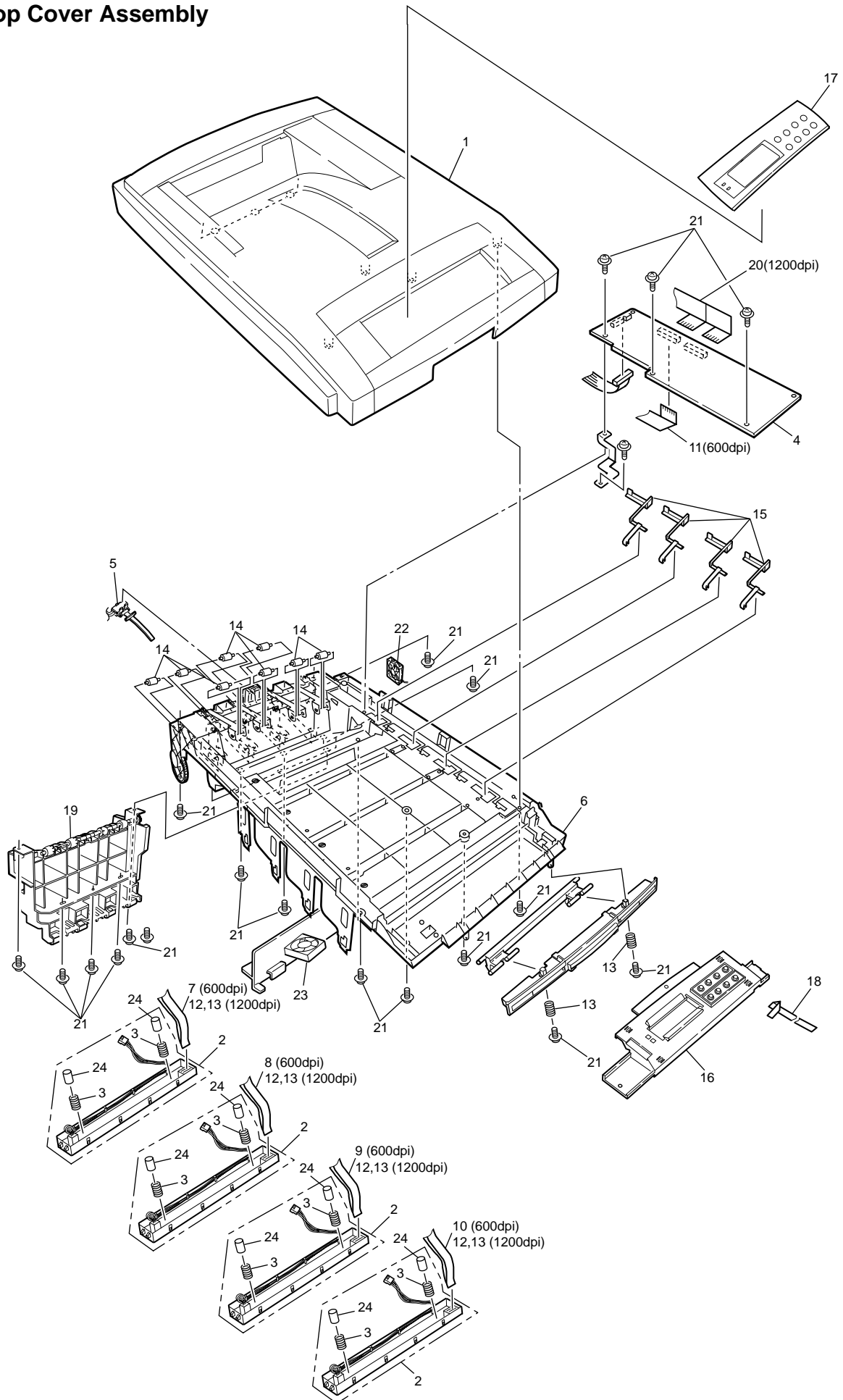
Okii LAN 8100e ODA/OEL/APS

Note To use Okii LAN 8100e, software for the NIC must be downloaded to a CU main board.

Software for the NIC is downloaded to a CU main board (HME) before shipment of a printer or a service board.

As software is deleted when forced initialization is performed to a Flash ROM, re-downloading of the software is required. Software is not downloaded to a TIG-3 also a program ROM DIMM doesn't support the software. Accordingly, the Soft NIC (Okii LAN 8100e) is not usable even if software for the NIC is downloaded to a TIG-3 board.

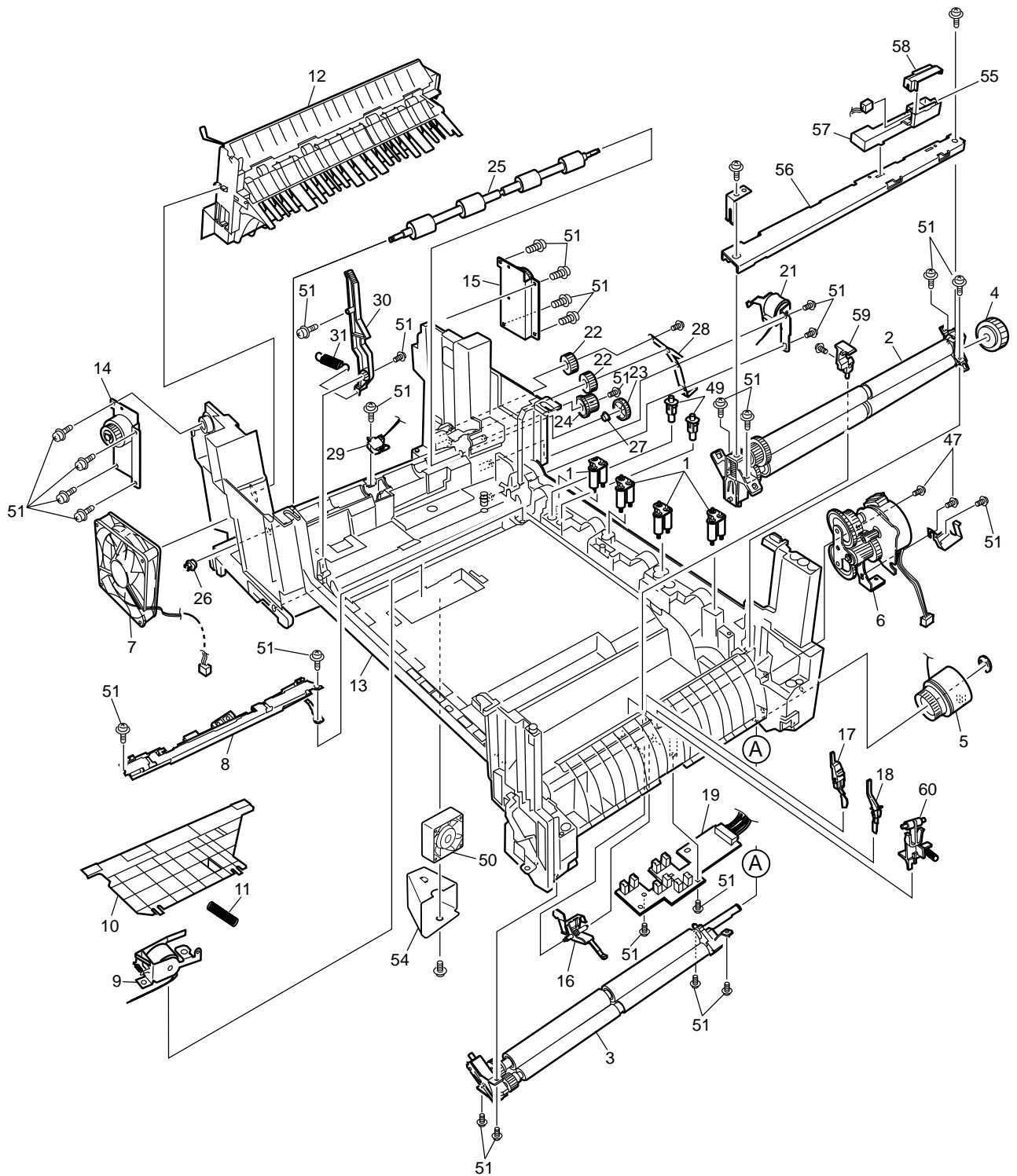
Top Cover Assembly



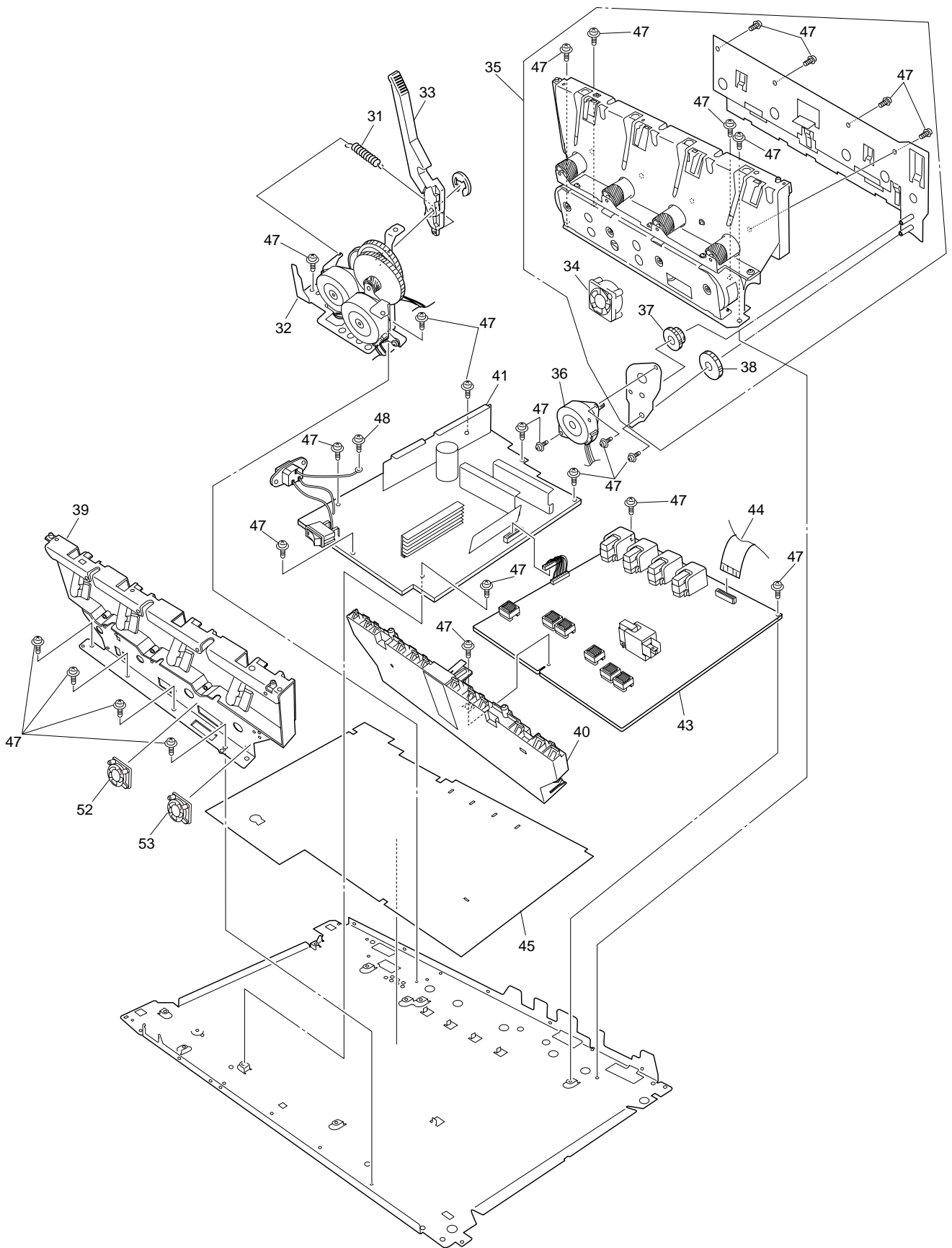
Top Cover Assembly

No.	Parts No.	Name				Remarks
1	40859702	Top Cover				
2	42461001	LED Assy (1200dpi) Kit				
	42460901	LED Assy (600dpi) Kit				
3	42459501	LED Assy Spring				
4	41960901	LED Control PWB (Y73)				600dpi
	42124801	LED Control PWB (Y7X)				1200dpi
5	40365404	Stacker Full Sensor				600dpi
	40365405	Stacker Full Sensor				1200dpi
6	41316503	Top Cover Inner Frame Kit				
7	42406404	LED Harness C				600dpi
8	42406403	LED Harness M				600dpi
9	42406402	LED Harness Y				600dpi
10	42406401	LED Harness K				600dpi
11	41593101	LED Control PWB Tape Harness				600dpi
12		LED Harness 14				1200dpi
13		LED Harness 12				1200dpi
14	41765601	Eject Roller				
15	40860602	Toner Sensor				
16	40866102	Control Panel Assy				
17						
	42542707	Control Panel Bezel				600dpi (ODA)
	42542708	Control Panel Bezel				1200dpi (ODA)
	42542730	Control Panel Bezel				600dpi (ODA)
	42542731	Control Panel Bezel				1200dpi (ODA)
	42542733	Control Panel Bezel				1200dpi (ODA)
18		Control Panel Tape Harness				
19	40861501	Eject Guide Assy				
20	42167601	Cord Assy Head				1200dpi
21	4PB4083-2500P008	Screw (T3I8)				
22	40197106	Fuse Fan 60				
23	41469007	ID cooling Fan				
24	42447502	Post-Guide				

Printer Unit Chassis(1/2)



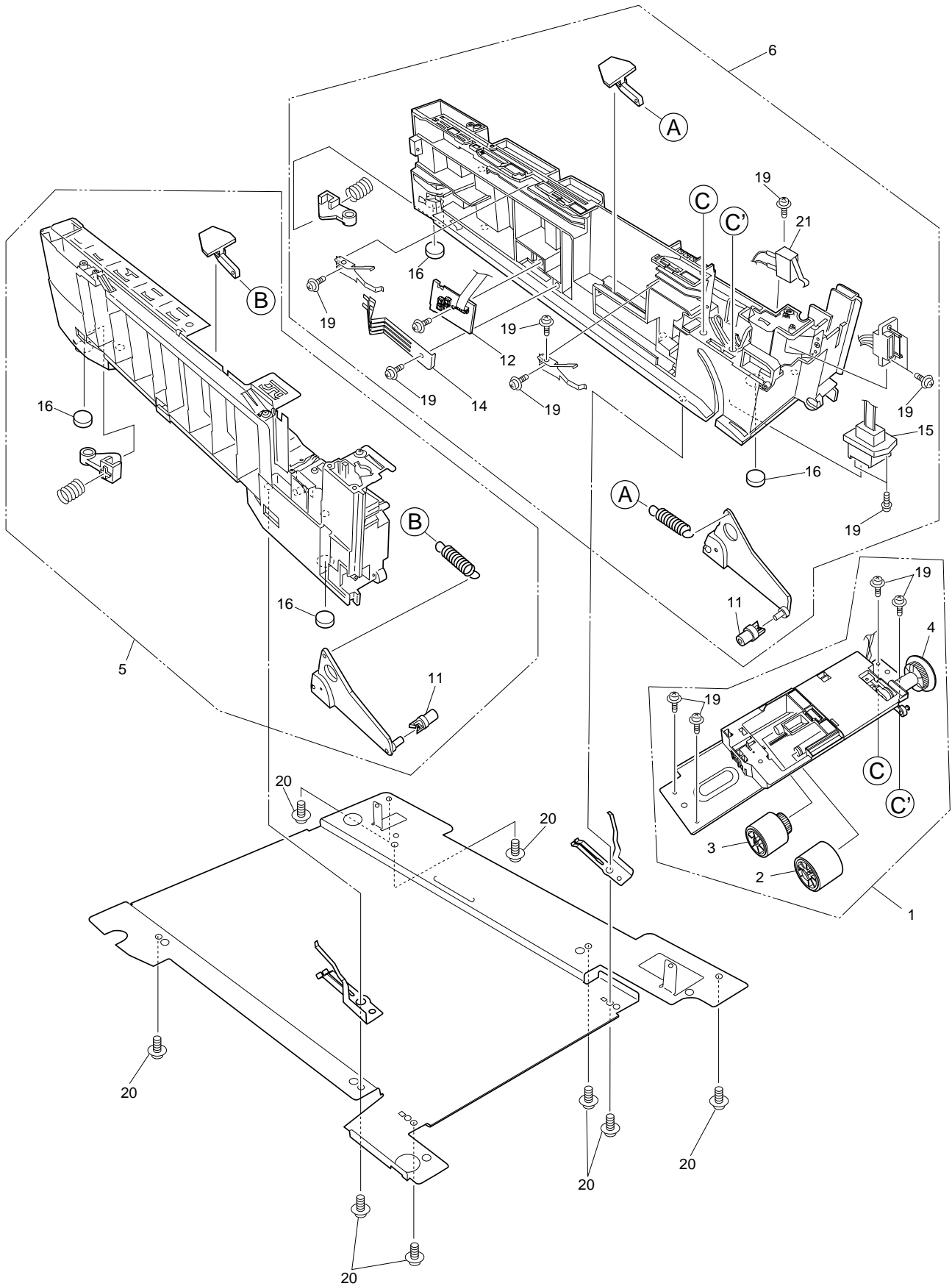
Printer Unit Chassis(2/2)



Prunter Unit Chassis

No.	Parts No.	Name				Remarks
1	41189701	Drum contact Assy				
2	40844306	Registration Roller Assy (A)				
3	40844303	Registration Roller Assy (B)				
4	40845401	Registration Drive Gear (A)				
5	41187102	Registration Clutch				
6	40845801	Registration Motor Assy				
7	42153101	Main Cooling Fan				
8	41944001	Color Registration Sensor Assy				
9	41968701	Registration Shutter Solenoid				
10	41944201	Registration Shutter				
11	41968501	Registration Shutter Spring				
12	40859201	Duplex Guide Assy				
13	41940301	Printer Unit Chassis				
14	41312801	Left Top Cover Spring Assy				
15	41312901	Right Top Cover Spring Assy				
16	40841601	Entrance Sensor Actuator #1				
17	40841701	Entrance Sensor Actuator #2				
18	40841801	Entrance Sensor Actuator #3				
19	41258301	Entrance Sensor PWB (R71)				
20						
21	41253602	Duplex Gate Solenoid Assy				
22	40842401	Fuser Drive Gear -A				
23	40316301	Fuser Drive Gear -B				
24	42170801	Fuser Drive Gear -C				
25	40323902	Fuser Exit Roller				
26		Fuser Exit Roller Bushing (L)				
27		Fuser Exit Roller Bushing (R)				
28	40842501	Fuser Exit Roller Contact				
29	41073601	Exit Sensor Assy				
30	40841301	Fuser Latching Handle (L)				
31	40841501	Fuser Latching Handle Spring				
32	40848801	Belt Motor Assy				
33	40841401	Fuser Latching Handle (R)				
34	41469004	ID Motor Fan				
35	40847306	Main Motor Assy				
36	40846001	Main Feeder Drive Motor				
37	40848501	Main Feeder Drive Gear (A)				
38	40848601	Main Feeder Drive Gear (B)				
39	41303606	Left Plate Assy				
40	40850201	Contact Assy				
41	41862901	Power-Unit AC-DC-switching (115V)				ODA(120V)
	42220301	Power-Unit AC-DC-switching (115V)				ODA(120V)RevA
	41870701	Power-Unit AC-DC-switching (230V)				ODA(230V)
42	42220401	Power-Unit AC-DC-switching (230V)				ODA(230V)RevB
43	42046801	Power-Unit (high-voltage)				
44		HV Tape Harness				
45	41128101	Power Supply Insulator				
46						
47		Screw (M3T6)				
48		Screw (M4T8)				
49	41346301	Transfer Contact Assy				
50	41469006	Power Cooling Fan				
51		Screw (T3T8)				
52	41469005	HV Fan				
53	41469003	Belt Fan				
54	42309801	Film Duct				
55		Thickness Sensor				
56	41911201	Thickness Plate Assy				
57	41911101	Thickness Sensor Assy				
58	41888701	Cover Seal Sensor				
59	41928801	Pickup Stag				
60	42199601	Waste Toner Sensor Actuator				

Paper Tray Guide



Paper Tray Guide

No.	Parts No.	Name				Remarks
1	40839802	Main Feed Assy				
2	40371302	Feed Roller				
3	40313202	Nudger Roller				
4	40325401	Main Feeder Drive Gear				
5	40839001	Left Cassette Guide Assy				
6		Right Cassette Guide Assy				
7						
8						
9						
10						
11	40349701	Plastic Roller				
12	40368304	Paper Size Sensing PWB PXC				
13						
14		Paper Size Actuator				
15		2nd Tray Connector				
16		Foot				
17						
18						
19		Screw (T3I8)				
20		Screw (T4I10)				
21	41275901	Front Cover Open Switch				

Duplex Unit

