

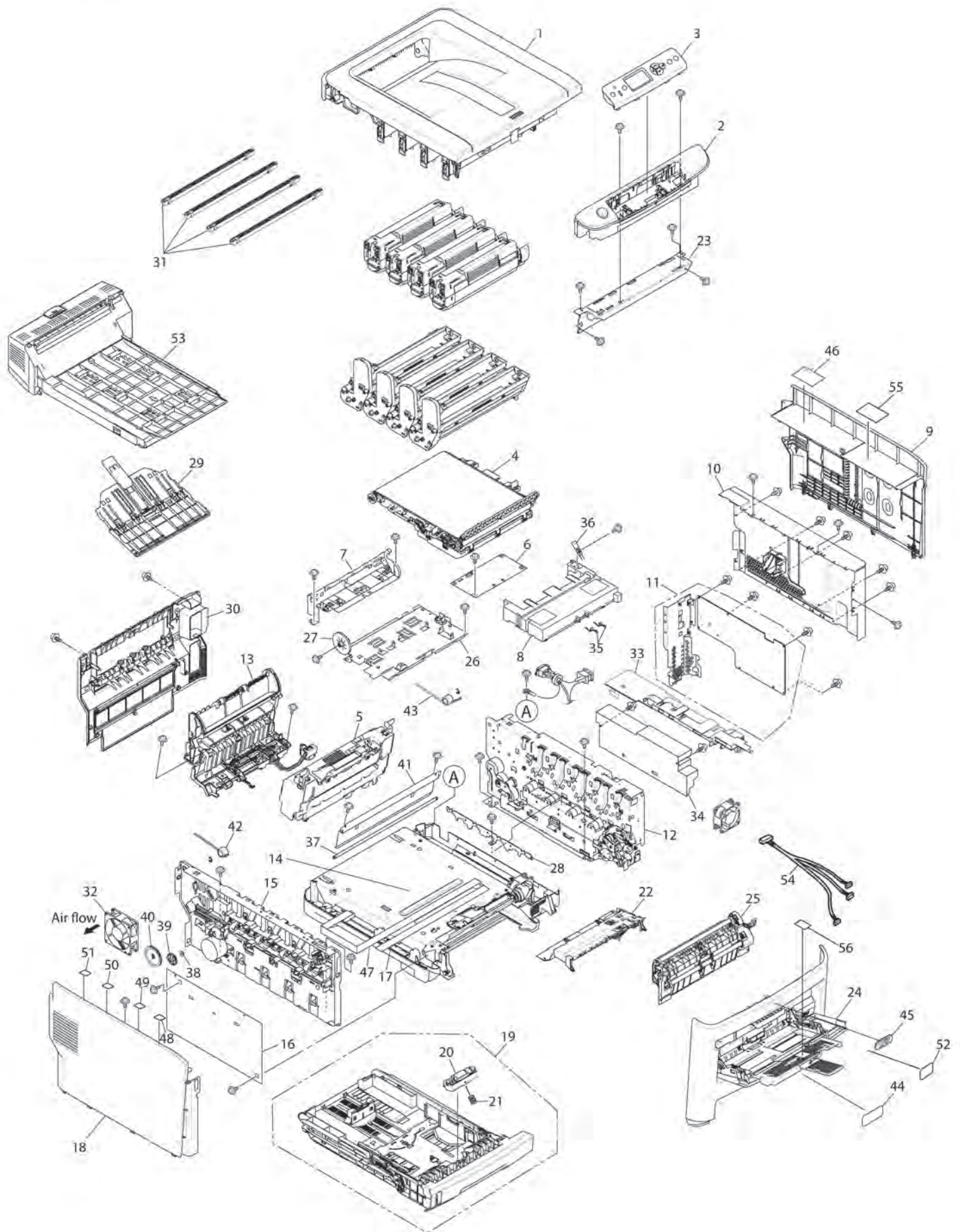
# C711 DW

# Spare Parts

# Illustration Manual

061915I

# Printer

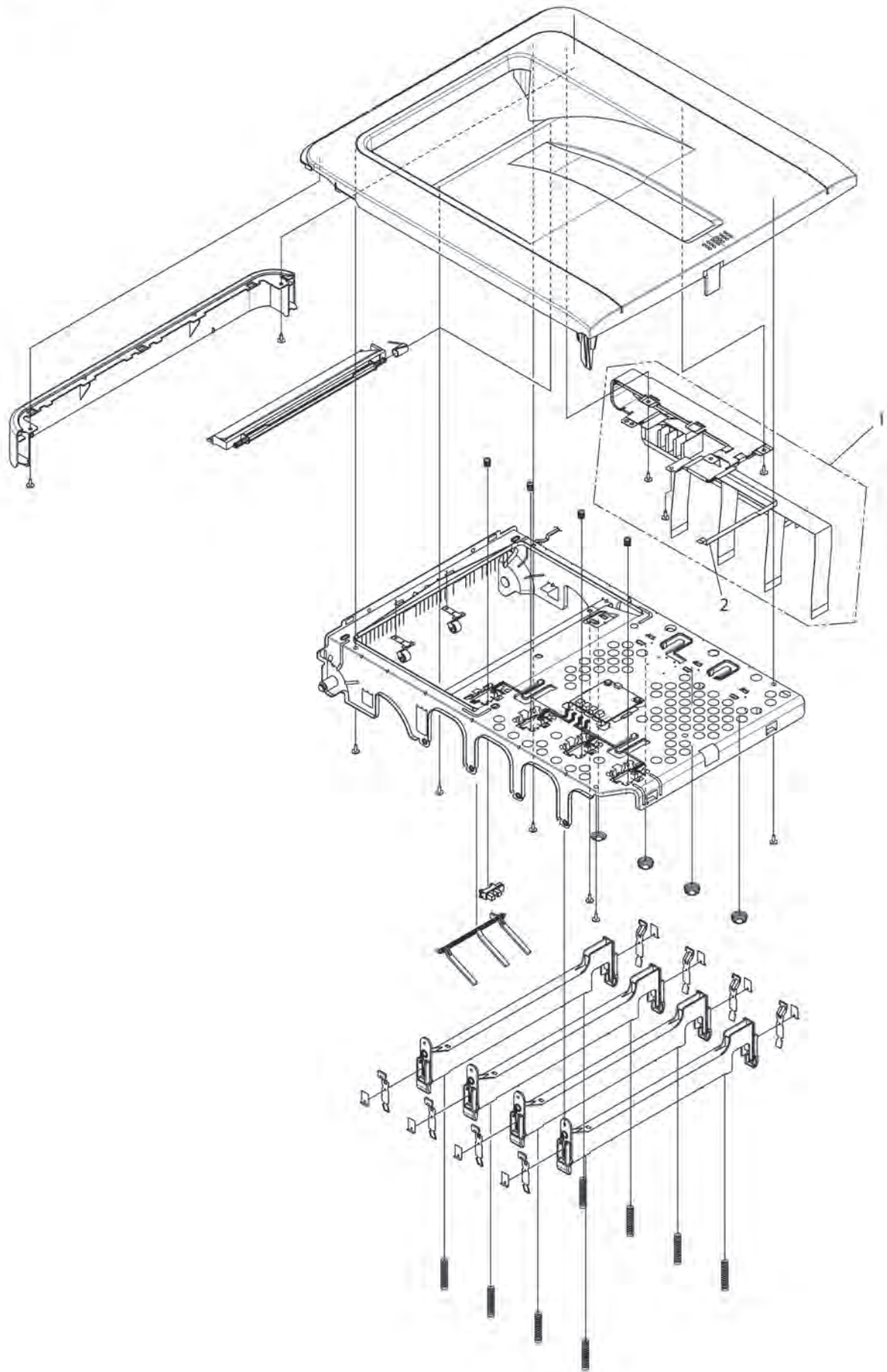


No.	Part No.	Part Name	Qty /Unit	Recommended Q'ty/Year			Remarks
				per 500	per 1000	per 2000	
1	44260701	Cover Assy.-Top	1	1	2	4	
2	44260101	Frame Assy.-OP	1	1	2	4	
3	44260901	Cover Assy.-OP	1	2	4	8	
4		PX755 Belt Unit	1	35	70	140	
5		PX755 Fuser-Unit	1	50	100	200	(120V)
5		PX755 Fuser-Unit	1	50	100	200	(230V)
6	43131301	OR-PRY	1	2	4	8	Board-PRY
7	43917501	Sensor Assy.-Color-Regist	1	2	4	8	
8	42066901	Cover-Driver	1	1	2	4	
9		Cover Assy.-Side R-755	1	1	2	4	
10	43738101	Plate-Shield-A	1	1	2	4	
11	55122701	IBD-3 maintenance board	1	2	4	8	AXXIS HS Board PU/CU (ODA)
12		Plate Assy.-Side R	1	2	4	8	
13	44263301	Eject-Assy.-757	1	2	4	8	
14		Plate Assy.-Base	1	2	4	8	
15		Plate Assy.-Side L(PX755/7)	1	2	4	8	
16	43770701	PWR unit-DCDC	1	2	4	8	High Voltage
17	43393801	CONN-High Voltage(Bend)	1	1	2	4	
18		Cover-Side(L)	1	1	2	4	
19	43894903	Cassette Assy.-PX755	1	2	4	8	
20	43895001	Frame-Assy-Retard	1	3	6	12	
21	43963101	Spring-Retard	1	3	6	12	
22	44259901	Cover Assy.-Hopping-PX755	1	2	4	8	
23		Plate-Front	1	1	2	4	
24		Cover Assy.-Front-PX755	1	2	4	8	
25	44261901	Feeder-Assy.-Regist	1	2	4	8	
26		Plate-Driver(PU)(Caulking)	1	1	2	4	

No.	Part No.	Part Name	Q'ty /Unit	Recommended Q'ty/Year			Remarks
				per 500	per 1000	per 2000	
27	43076101	Gear-Idle-Belt-Z20Z93	1	1	2	4	
28		Plate-Lockout-ID	1	1	2	4	
28		Plate-Lockout-ID	1	1	2	4	
29	43078704	Cover Assy.-FaceUP	1	1	2	4	
30	43917704	Cover-Sub Assy.-Rear	1	1	2	4	
31	44317204	LED Head Unit-	4	2	4	8	600dpi(20pin)
32	43289101	OR-Motor-FAN(80)	1	1	2	4	FUSER
33	43746401	Guide-Cable-(Pow-low)	1	1	2	4	
34	44201901	PWR unit-ACDC Switch	1	2	4	8	(120V)
34	44305201	PWR unit-ACDC Switch	1	2	4	8	(230V)
35		Spring-BeltFuse	2	1	2	4	
36		Thermistor-Belt	1	2	4	8	
37		Shaft-Liftup-PX734	1	1	2	4	
38	42060701	Bush	1	1	2	4	
39	43075201	Gear-LiftupL-Z32	1	1	2	4	
40	43075501	Gear-LiftUpLinkL-Z56	1	1	2	4	
41		Plate-Heat	1	1	2	4	
42	44313001	Spring-Torsion(L)	1	1	2	4	
43	44313101	Spring-Torsion(R)	1	1	2	4	
44		Plate-name C610	1	1	2	4	C610
45		Plate-Logo	1	1	2	4	
46		Label-FuserJAM	1	1	2	4	
47	43348901	CONN-Cord-FlexyDP(Bend)	1	2	4	8	PU-PRY
48		Label-Color K	1	1	2	4	
49		Label-Color Y	1	1	2	4	
50		Label-Color M	1	1	2	4	
51		Label-Color C	1	1	2	4	

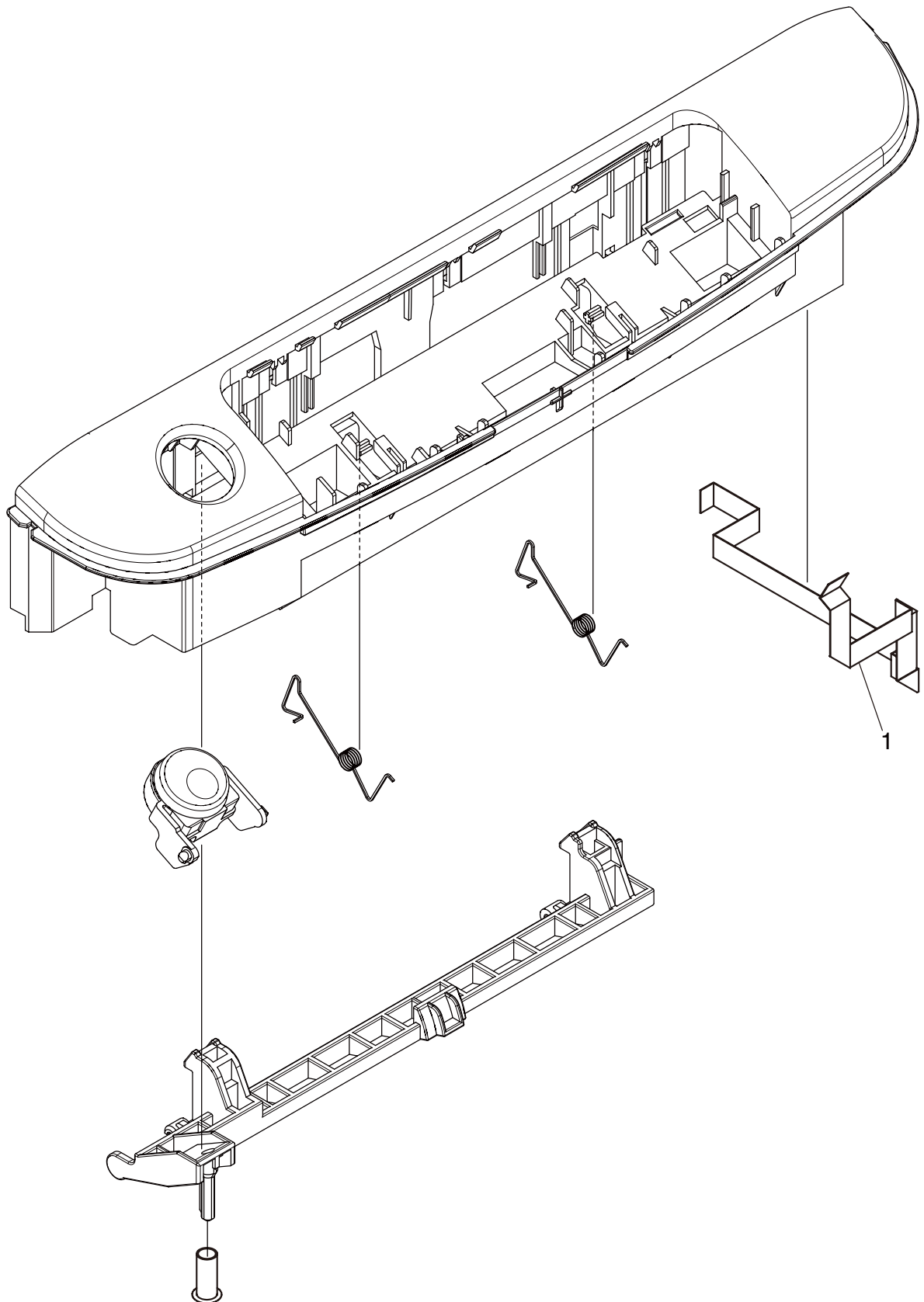
No.	Part No.	Part Name	Q'ty /Unit	Recommended Q'ty/Year			Remarks
				per 500	per 1000	per 2000	
52		Label-ES/HD/CZ	1	1	2	4	
53		Unit-Duplex-PX755(Spare)	1	1	2	4	
54	44256301	CONN Cord-AMP9P-AMP4PAMP2PAMP2P	1	1	2	4	HOPMOT/FDCL/MPTCL-PU
55		Label-Consumable PX755	1	1	2	4	

# Cover-Assy-Top



No.	Part No.	Part Name	Q'ty /Unit	Recommended Q'ty/Year			Remarks
				per 500	per 1000	per 2000	
1	43896302	Cable-Assy.-Head	1	2	4	8	
2	43297002	Cable-RFID(Bend)	1	1	2	4	

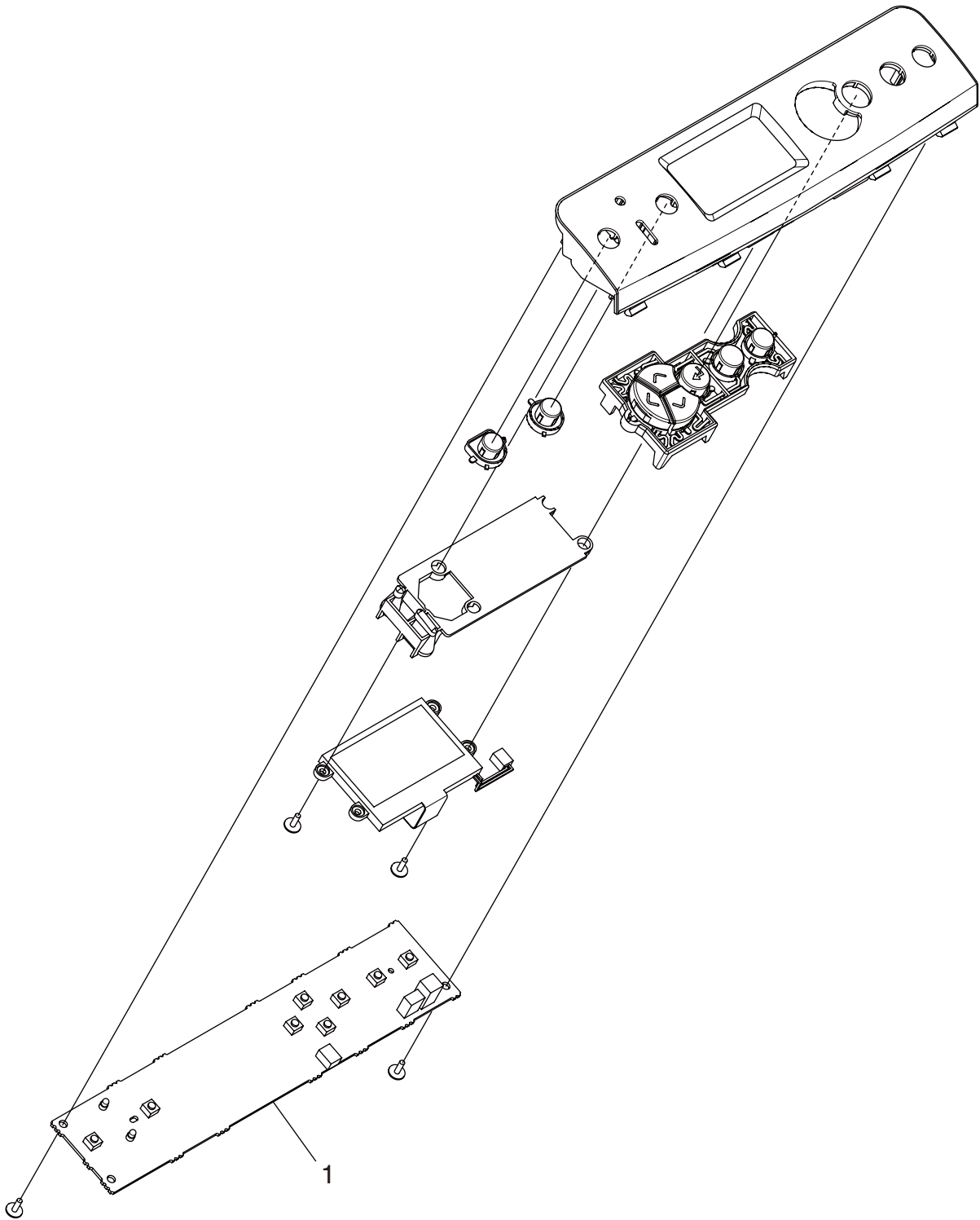
# Frame Assy-OP





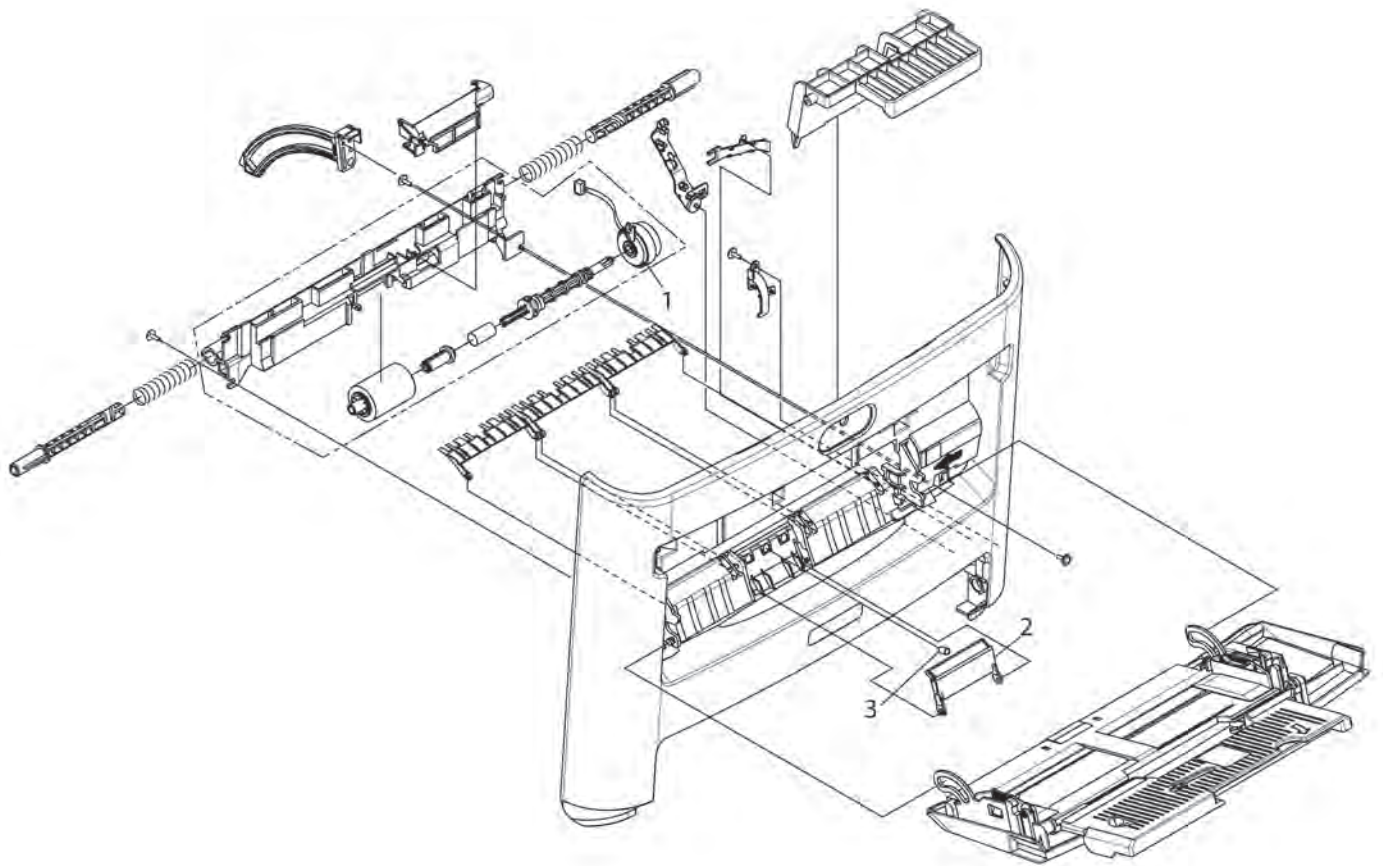
No.	Part No.	Part Name	Q'ty /Unit	Recommended Q'ty/Year			Remarks
				per 500	per 1000	per 2000	
1	44483201	CONN-Cord-OP-bend	1	1	2	4	OP Panel-PU

# Cover Assy-OP



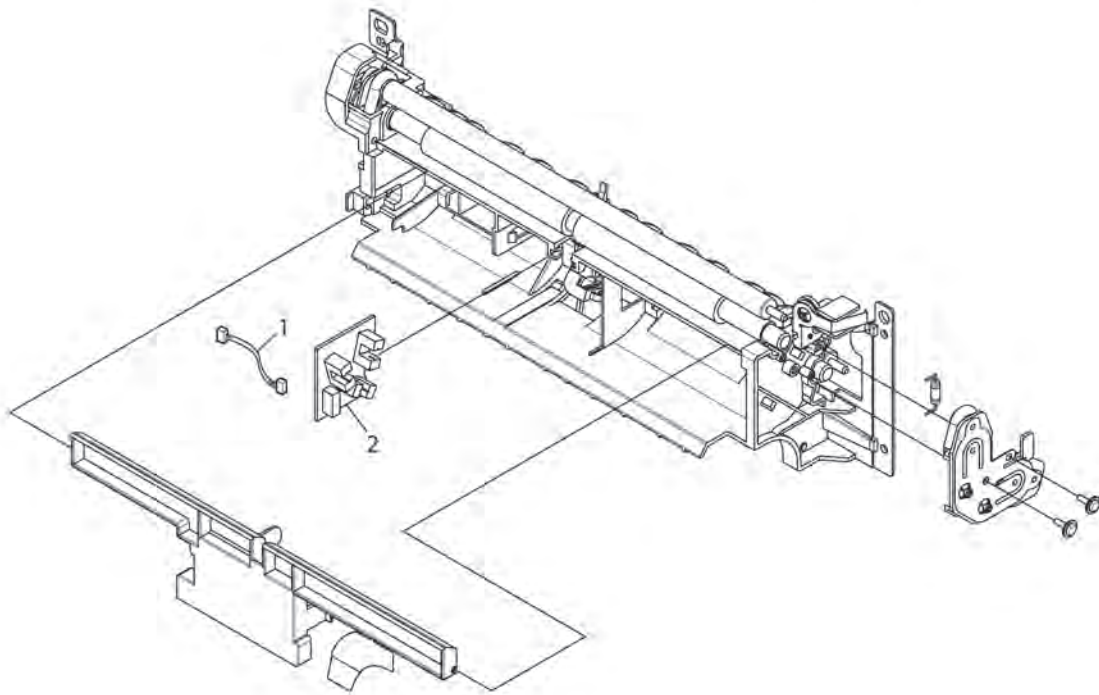
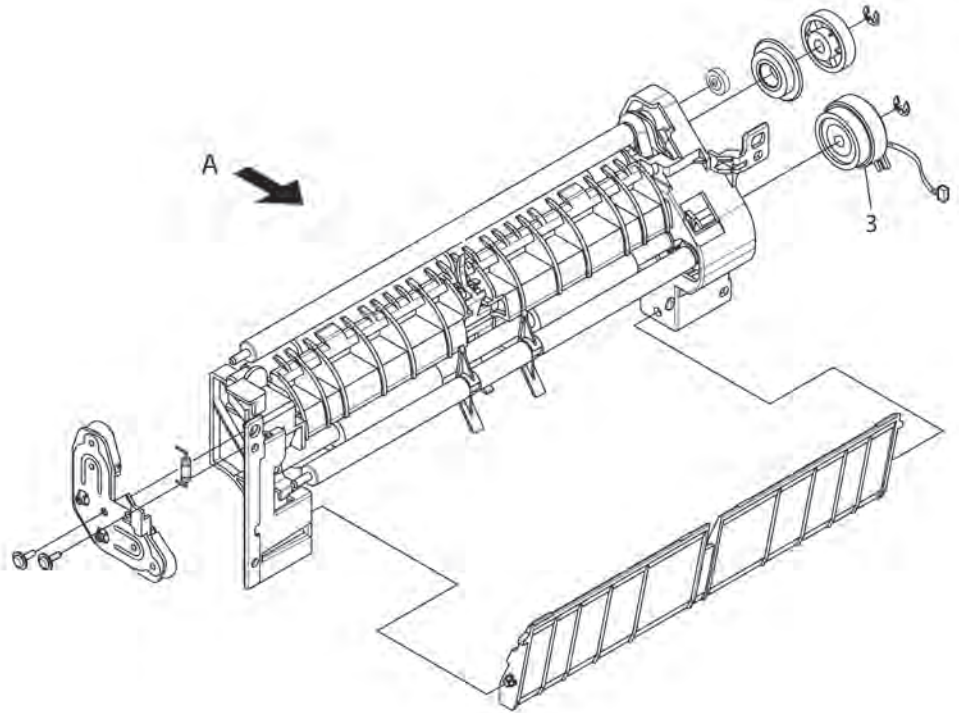
No.	Part No.	Part Name	Q'ty /Unit	Recommended Q'ty/Year			Remarks
				per 500	per 1000	per 2000	
1	44267701	OR-IBG	1	1	2	4	Board-PRG

# Cover Assy-Front



No.	Part No.	Part Name	Q'ty /Unit	Recommended Q'ty/Year			Remarks
				per 500	per 1000	per 2000	
1	44261402	Clutch	1	1	2	4	MPT Clutch
2		Frame Assy.-Separator	1	1	2	4	
3	44009301	Spring-Separator	1	1	2	4	

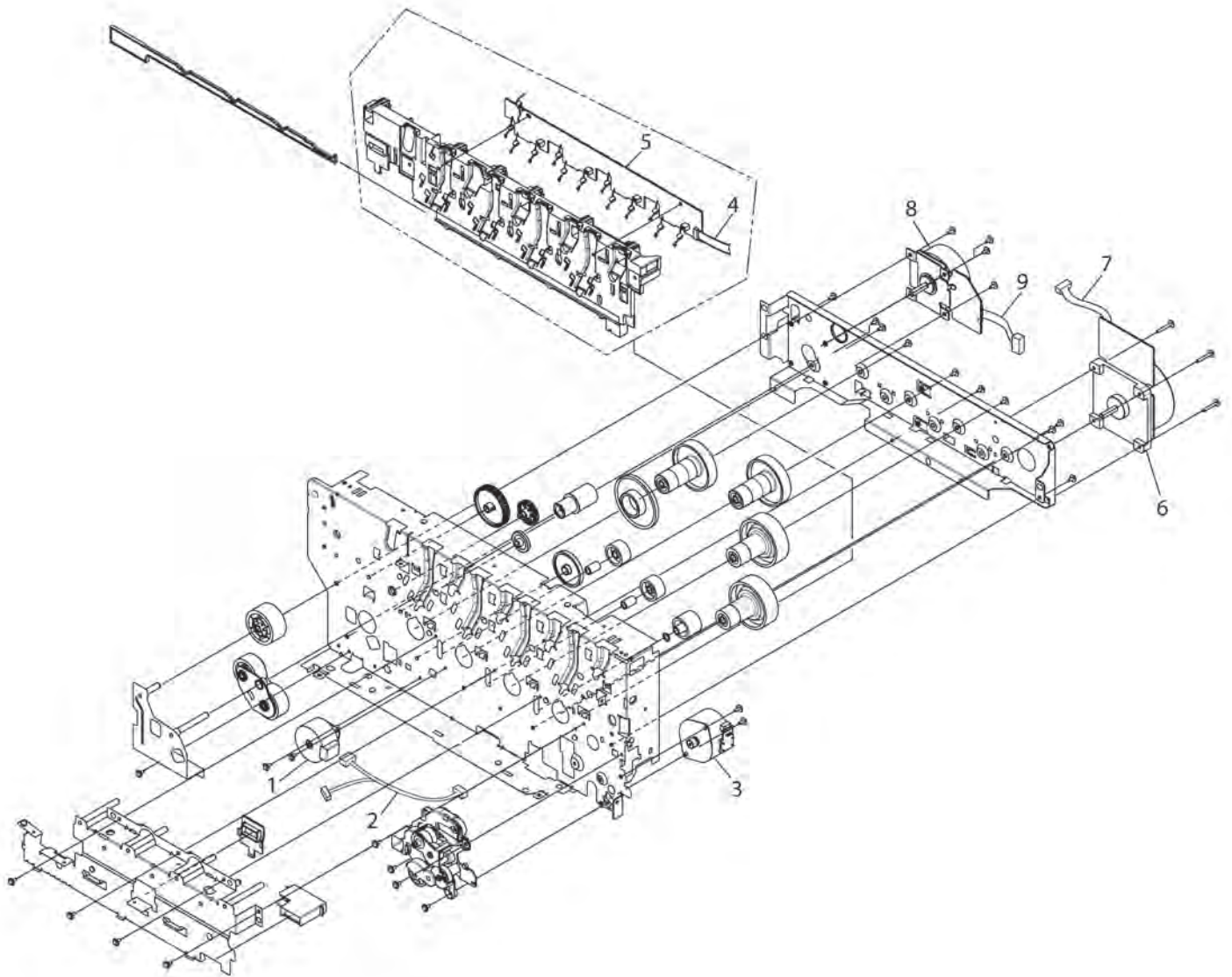
# Feeder-Assy-Regist



View on Arrow A

No.	Part No.	Part Name	Q'ty /Unit	Recommended Q'ty/Year			Remarks
				per 500	per 1000	per 2000	
1	44256101	CONN Cord-AMP5PAMP5P	1	1	2	4	RSF-PU
2	42135802	Board-RSF	1	2	4	8	Front Sensor
3	44261401	Clutch	1	1	2	4	Feed Clutch

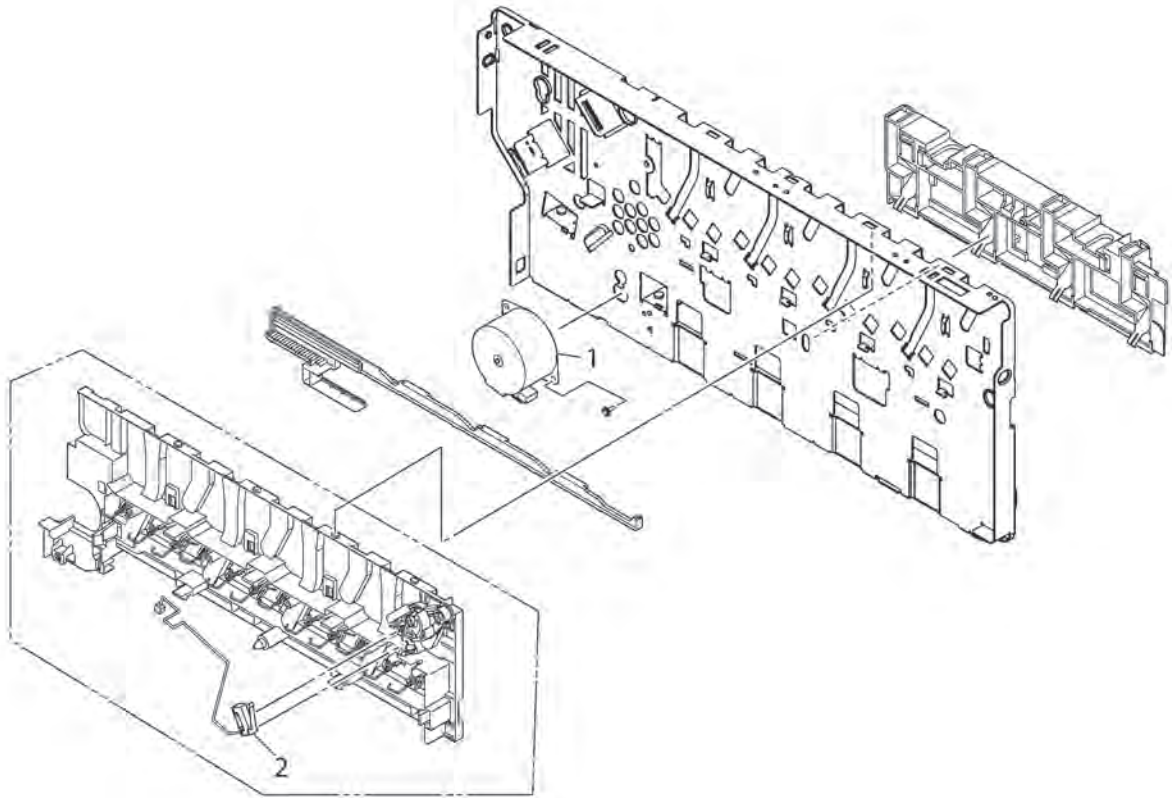
# Plate-Assy-Side R





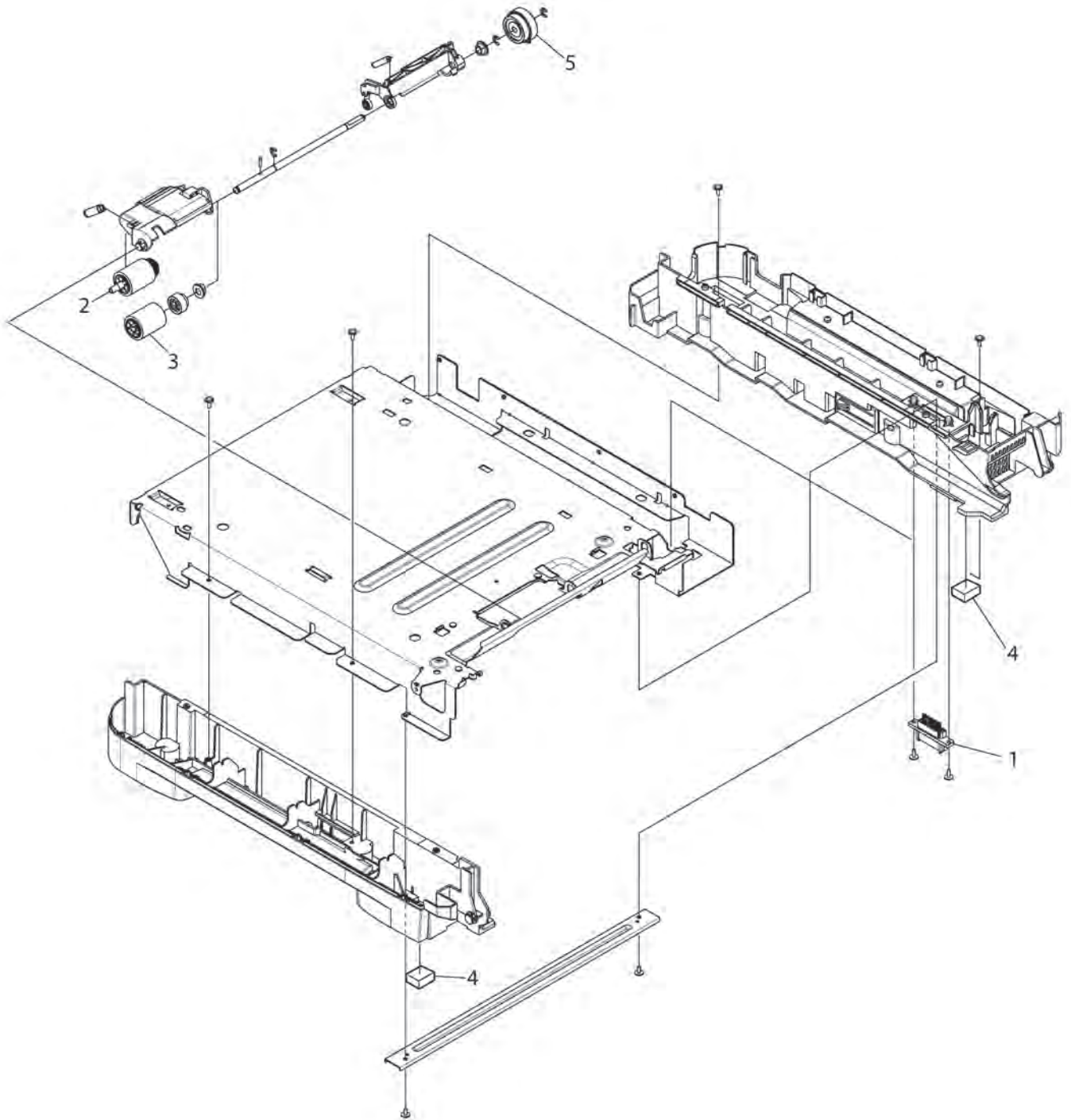
No.	Part No.	Part Name	Q'ty /Unit	Recommended Q'ty/Year			Remarks
				per 500	per 1000	per 2000	
1	43276201	OR-Motor_Pulse_Liftup	1	1	2	4	ID Liftup Motor
2	43138001	CONN Cord-AMP8P-AMP4PAMP4P	1	1	2	4	Belt/IDUP Motor-PU
3	43276301	OR-Motor_Pulse_HOP	1	1	2	4	HOP Motor
4		TW-VF/SMCD11-150-1.0	1	1	2	4	PRZ-PU
5	43131601	OR-PRZ	1	1	2	4	Board-PRZ Toner Sensor
6	44219401	Motor-DC-ID	1	1	2	4	ID Motor
7	44256501	CONN Cord-JST9P-JST9P	1	1	2	4	ID Motor-PU
8	44349601	Motor-DC(F)	1	1	2	4	Fuser Motor
9	44418401	CONN Cord- AMP10P-JST8P	1	1	2	4	Fuser Motor-PU

Plate-Assy-Side L



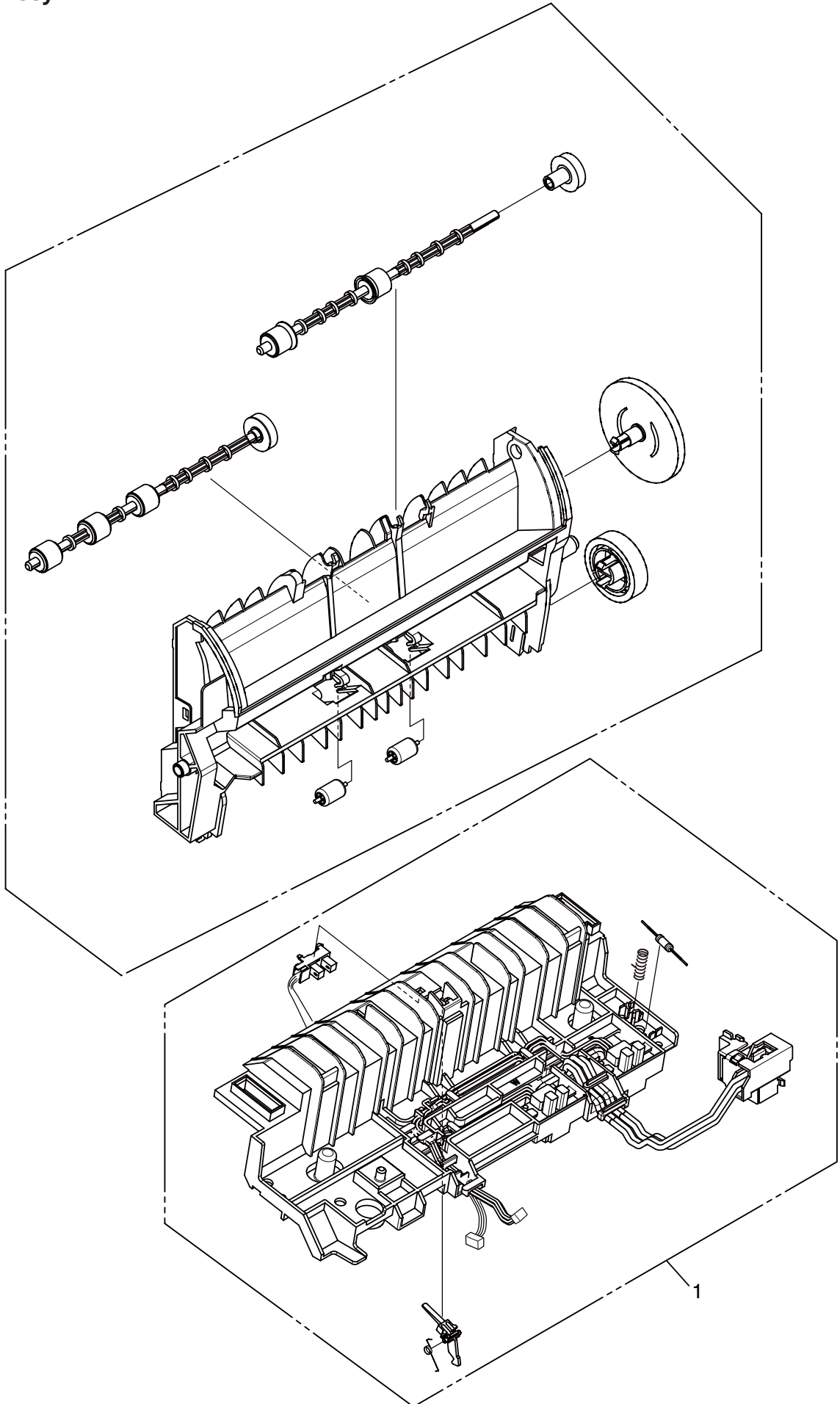
No.	Part No.	Part Name	Q'ty /Unit	Recommended Q'ty/Year			Remarks
				per 500	per 1000	per 2000	
1	43276401	OR-Motor_Pulse_Belt	1	1	2	4	Belt Motor
2	43945401	CONN Cord-AMP4P-SW	1	2	4	8	Micro switch-Assy

# Plate-Assy-Base



No.	Part No.	Part Name	Q'ty /Unit	Recommended Q'ty/Year			Remarks
				per 500	per 1000	per 2000	
1		9715B-12Z02-G4C	1	2	4	8	
2	42699401	Roller-Pick-Up	1	1	2	4	
2		Roller-Pick-UP	1	1	2	4	
3	43000601	Roller-Feed-NOW	1	1	2	4	
4		Rubber-Foot	2	2	4	8	
5	44261401	Clutch	1	1	2	4	HOP Clutch

# Eject-Assy



No.	Part No.	Part Name	Q'ty /Unit	Recommended Q'ty/Year			Remarks
				per 500	per 1000	per 2000	
1	44259701	Guide Assy.-Eject-L	1	1	2	4	