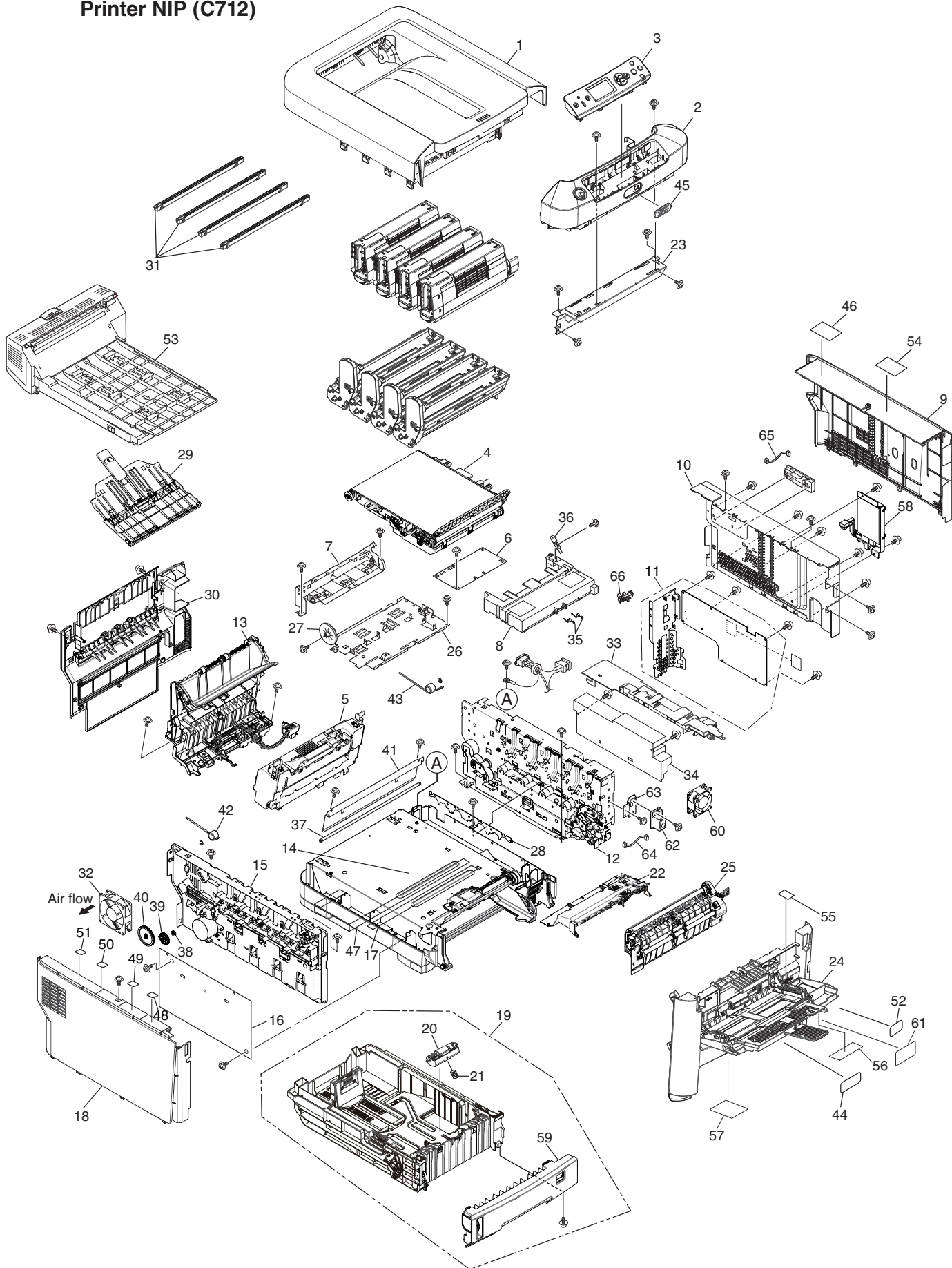


**C612 / C712 /
ES7412
Illustrated Spare
Parts Manual**

011217C

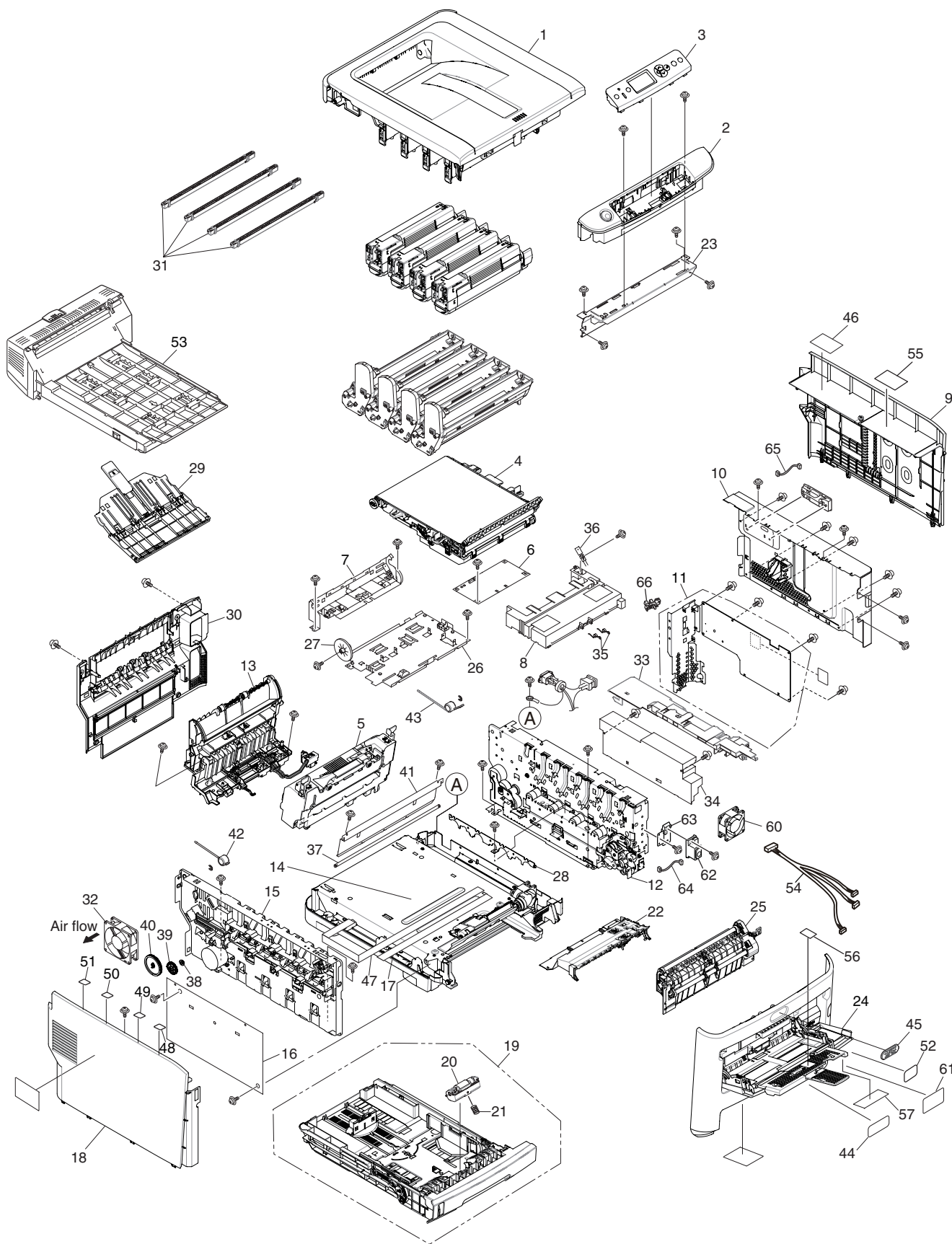
Printer NIP (C712)



Unit Name	No.	Part No.	Part Name	Q'ty /Unit	Recommended Q'ty/Year			Remarks
					per 500	per 1000	per 2000	
Printer NIP(C712)	1	46444801	Cover Assy.-Top_	1	1	2	4	
Printer NIP(C712)	2	43895204	Frame Assy.-OP(E)	1	1	2	4	
Printer NIP(C712)	3	43845315	Cover Assy.-OP_(E)	1	2	4	8	
Printer NIP(C712)	4	45381101	Belt Unit (ODA)	1	35	70	140	
Printer NIP(C712)	5	44289101	Fuser-Unit(ODA_120V)	1	50	100	200	
Printer NIP(C712)	5		Fuser-Unit(ODA_230V)	1	50	100	200	
Printer NIP(C712)	6	43131301	OR-PRY	1	2	4	8	
Printer NIP(C712)	7	43917501	Sensor Assy.-Color-Regist	1	2	4	8	
Printer NIP(C712)	8		Cover-Driver	1	1	2	4	
Printer NIP(C712)	9	43917805	Cover-Assy.-SideR-	1	1	2	4	
Printer NIP(C712)	10		Plate-Shield-A	1	1	2	4	
Printer NIP(C712)	11	46323619	Maintenance Board -IBH	1	2	4	8	Board PU/CU (ODA)
Printer NIP(C712)	11	46323620	Maintenance Board -IBH	1	2	4	8	Board PU/CU (ES7412 ODA)
Printer NIP(C712)	11	46323621	Maintenance Board -IBH	1	2	4	8	Board PU/CU (ODA Argentina)
Printer NIP(C712)	11	46323623	Maintenance Board -IBH	1	2	4	8	Board PU/CU (ODB)
Printer NIP(C712)	12	44259103	Plate Assy.-Side R-Enh	1	2	4	8	
Printer NIP(C712)	13	44263303	Eject-Assy.-	1	2	4	8	
Printer NIP(C712)	14	44258301	Plate Assy.-Base	1	2	4	8	
Printer NIP(C712)	15	43074904	Plate Assy.-Side L	1	2	4	8	
Printer NIP(C712)	16	43770701	PWR unit-DCDC	1	2	4	8	
Printer NIP(C712)	17	43393801	CONN-High Voltage(Bend)	1	1	2	4	
Printer NIP(C712)	18	43738303	Cover-Side(L)	1	1	2	4	
Printer NIP(C712)	19	43894903	Cassette-Assy-	1	1	2	4	
Printer NIP(C712)	20	43895001	Frame-Assy-Retard	1	3	6	12	
Printer NIP(C712)	21	43963101	Spring-Retard	1	3	6	12	
Printer NIP(C712)	22	44259902	Cover Assy.-Hopping-	1	2	4	8	
Printer NIP(C712)	23		Plate-Front	1	1	2	4	
Printer NIP(C712)	24	44263603	Cover Assy.-Front-	1	2	4	8	
Printer NIP(C712)	25	44261901	Feeder-Assy.-Regist	1	2	4	8	
Printer NIP(C712)	26	42062102	Plate-Driver(PU)(Caulking)	1	1	2	4	
Printer NIP(C712)	27	43076101	Gear-Idle-Belt-Z20Z93	1	1	2	4	
Printer NIP(C712)	28	43073514	Plate-Lockout-ID	1	1	2	4	
Printer NIP(C712)	29	43078704	Cover Assy.-FaceUP	1	1	2	4	
Printer NIP(C712)	30	43917704	Cover-Sub Assy.-Rear	1	1	2	4	
Printer NIP(C712)	30		Cover-Sub Assy.-Rear	1	1	2	4	
Printer NIP(C712)	31	44317204	LED Head Unit-51TRA4	4	2	4	8	
Printer NIP(C712)	32	43289101	OR-Motor-FAN(80)	1	1	2	4	
Printer NIP(C712)	33		Guide-Cable-(Pow-low)	1	1	2	4	
Printer NIP(C712)	34	44201901	PWR unit-ACDC Switch	1	2	4	8	
Printer NIP(C712)	34	44305201	PWR unit-ACDC Switch	1	2	4	8	
Printer NIP(C712)	35	42067001	Spring-BeltFuse	2	1	2	4	
Printer NIP(C712)	36	42605201	Thermistor-Belt	1	2	4	8	
Printer NIP(C712)	37	44555801	Shaft-Liftup	1	1	2	4	
Printer NIP(C712)	38	42060701	Bush	1	1	2	4	
Printer NIP(C712)	39	43075201	Gear-LiftupL-Z32	1	1	2	4	
Printer NIP(C712)	40	43075501	Gear-LiftUpLinkL-Z56	1	1	2	4	
Printer NIP(C712)	41		Plate-Heat	1	1	2	4	
Printer NIP(C712)	42	43921201	Spring-Torsion(L)	1	1	2	4	
Printer NIP(C712)	43	43921301	Spring-Torsion(R)	1	1	2	4	
Printer NIP(C712)	44		Plate-Name_C712n	1	1	2	4	
Printer NIP(C712)	44		Plate-Name_C712dn	1	1	2	4	
Printer NIP(C712)	44		Plate-Name_ES7412	1	1	2	4	
Printer NIP(C712)	45		Plate-Logo	1	1	2	4	
Printer NIP(C712)	46		Label-FuserJAM	1	1	2	4	
Printer NIP(C712)	47		CONN-Cord-FlexyDP(Bend)	1	1	2	4	
Printer NIP(C712)	48		Label-Color K	1	1	2	4	
Printer NIP(C712)	49		Label-Color Y	1	1	2	4	
Printer NIP(C712)	50		Label-Color M	1	1	2	4	

Printer NIP(C712)	51		Label-Color C	1	1	2	4	
Printer NIP(C712)	52		Label-HD	1	1	2	4	
Printer NIP(C712)	53		Unit-Duplex-(Spare)	1	1	2	4	
Printer NIP(C712)	55		Label-Envelope	1	1	2	4	
Printer NIP(C712)	57		Label-Hotline_CHN	1	1	2	4	
Printer NIP(C712)	59		Cover-Assy-CS-PX741	1	1	2	4	
Printer NIP(C712)	60		Motor-Fan(60)PowL	1	1	2	4	
Printer NIP(C712)	61		Label-ES Brand	1	1	2	4	
Printer NIP(C712)	62		Holder-Assy-Switch	1	1	2	4	
Printer NIP(C712)	63		Plate-Soft-SW	1	1	2	4	
Printer NIP(C712)	64		CONN Cord-JST4P-JST4P	1	1	2	4	
Printer NIP(C712)	65		CONN Cord-JST6P-JST6P	1	1	2	4	
Printer NIP(C712)	66	55631302 (6520028M0002)	GP1A173LCS3F	1	1	2	4	

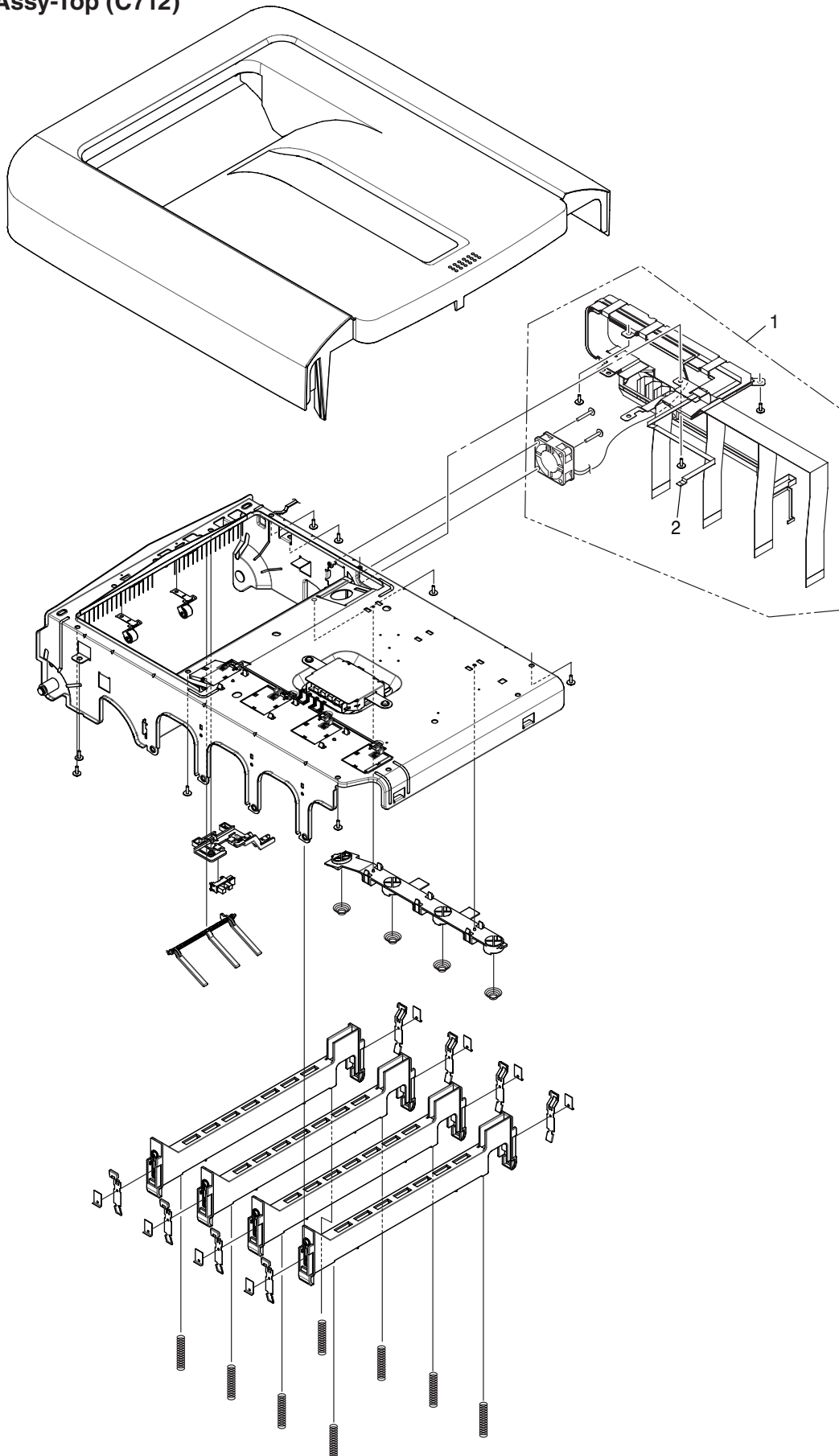
Printer NIP (C612)



Unit Name	No.	Part No.	Part Name	Q'ty /Unit	Recommended Q'ty/Year			Remarks
					per 500	per 1000	per 2000	
Printer NIP(C612)	1	46444301	Cover Assy.-Top-E	1	1	2	4	
Printer NIP(C612)	2		Frame Assy.-OP(E)	1	1	2	4	
Printer NIP(C612)	3	44260909	Cover Assy.-OP_(E)	1	2	4	8	
Printer NIP(C612)	4	45381101	Belt Unit (ODA)	1	35	70	140	
Printer NIP(C612)	5	44289101	Fuser-Unit(ODA_120V)	1	50	100	200	
Printer NIP(C612)	6	43131301	OR-PRY	1	2	4	8	
Printer NIP(C612)	7	43917501	Sensor Assy.-Color-Regist	1	2	4	8	
Printer NIP(C612)	8		Cover-Driver	1	1	2	4	
Printer NIP(C612)	9	44261202	Cover Assy.-Side R-755E	1	1	2	4	
Printer NIP(C612)	10		Plate-Shield-A	1	1	2	4	
Printer NIP(C612)	11	46323601	Maintenance Board -IBH	1	2	4	8	Board PU/CU (ODA)
Printer NIP(C612)	12	44259103	Plate Assy.-Side R-Enh	1	2	4	8	
Printer NIP(C612)	13	44259603	Eject-Assy.-755Enh	1	2	4	8	
Printer NIP(C612)	14	44258201	Plate Assy.-Base	1	2	4	8	
Printer NIP(C612)	15	43074904	Plate Assy.-Side L	1	2	4	8	
Printer NIP(C612)	16	43770701	PWR unit-DCDC	1	2	4	8	
Printer NIP(C612)	17	43393801	CONN-High Voltage(Bend)	1	1	2	4	
Printer NIP(C612)	18	44223601	Cover-Side(L)	1	1	2	4	
Printer NIP(C612)	19	44258901	Cassette Assy.-	1	1	2	4	
Printer NIP(C612)	20	43895001	Frame-Assy-Retard	1	3	6	12	
Printer NIP(C612)	21	43963101	Spring-Retard	1	3	6	12	
Printer NIP(C612)	22	44259904	Cover Assy.-Hopping-	1	2	4	8	
Printer NIP(C612)	23		Plate-Front	1	1	2	4	
Printer NIP(C612)	24	44260203	Cover Assy.-Front-(E)	1	2	4	8	
Printer NIP(C612)	25	44261901	Feeder-Assy.-Regist	1	2	4	8	
Printer NIP(C612)	26	42062102	Plate-Driver(PU)(Caulking)	1	1	2	4	
Printer NIP(C612)	27	43076101	Gear-Idle-Belt-Z20Z93	1	1	2	4	
Printer NIP(C612)	28	43073513	Plate-Lockout-ID	1	1	2	4	
Printer NIP(C612)	29	43078704	Cover Assy.-FaceUP	1	1	2	4	
Printer NIP(C612)	30	44261101	Cover-Sub Assy.-Rear	1	1	2	4	
Printer NIP(C612)	30		Cover-Sub Assy.-Rear	1	1	2	4	
Printer NIP(C612)	31	44317204	LED Head Unit-51TRA4	4	2	4	8	
Printer NIP(C612)	32	43289101	OR-Motor-FAN(80)	1	1	2	4	
Printer NIP(C612)	33		Guide-Cable-(Pow-low)	1	1	2	4	
Printer NIP(C612)	34	44201901	PWR unit-ACDC Switch	1	2	4	8	
Printer NIP(C612)	34	44305201	PWR unit-ACDC Switch	1	2	4	8	
Printer NIP(C612)	35	42067001	Spring-BeltFuse	1	1	2	4	
Printer NIP(C612)	36	42605201	Thermistor-Belt	1	2	4	8	
Printer NIP(C612)	37	44555801	Shaft-Liftup	1	1	2	4	
Printer NIP(C612)	38	42060701	Bush	1	1	2	4	
Printer NIP(C612)	39	43075201	Gear-LiftupL-Z32	1	1	2	4	
Printer NIP(C612)	40	43075501	Gear-LiftUpLinkL-Z56	1	1	2	4	
Printer NIP(C612)	41		Plate-Heat	1	1	2	4	
Printer NIP(C612)	42		Spring-Torsion(L)	1	1	2	4	
Printer NIP(C612)	43		Spring-Torsion(R)	1	1	2	4	
Printer NIP(C612)	44		Plate-Name_C612n	1	1	2	4	
Printer NIP(C612)	44		Plate-Name_C612dn	1	1	2	4	
Printer NIP(C612)	44		Plate-Name_ES6412	1	1	2	4	
Printer NIP(C612)	45		Plate-Logo	1	1	2	4	
Printer NIP(C612)	46		Label-FuserJAM	1	1	2	4	
Printer NIP(C612)	47	43348901	CONN-Cord-FlexyDP(Bend)	1	2	4	8	
Printer NIP(C612)	48		Label-Color K	1	1	2	4	
Printer NIP(C612)	49		Label-Color Y	1	1	2	4	
Printer NIP(C612)	50		Label-Color M	1	1	2	4	
Printer NIP(C612)	51		Label-Color C	1	1	2	4	
Printer NIP(C612)	52		Label-HD	1	1	2	4	
Printer NIP(C612)	53		Unit-Duplex-(Spare)	1	1	2	4	
Printer NIP(C612)	54		CONN Cord-AMP13P-AMP4PAMP2PAMP2P	1	1	2	4	

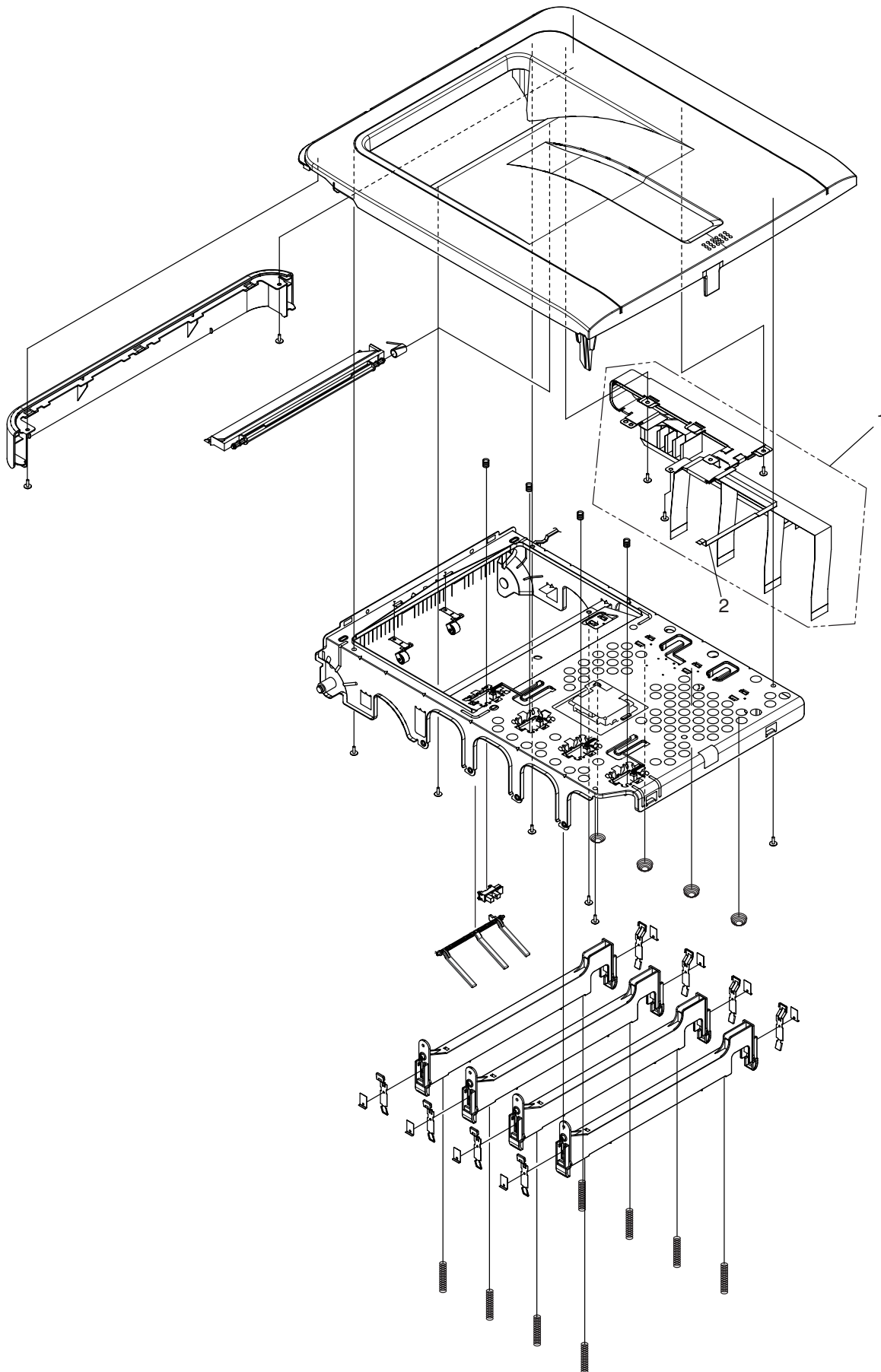
Printer NIP(C612)	56		Label-Envelope	1	1	2	4	
Printer NIP(C612)	60	43191301	Motor-Fan(60)PowL	1	1	2	4	
Printer NIP(C612)	61		Label-ES Brand	1	1	2	4	
Printer NIP(C612)	62		Holder-Assy-Switch	1	1	2	4	
Printer NIP(C612)	63		Plate-Soft-SW	1	1	2	4	
Printer NIP(C612)	64		CONN Cord-JST4P-JST4P	1	1	2	4	
Printer NIP(C612)	65		CONN Cord-JST6P-JST6P	1	1	2	4	
Printer NIP(C612)	66	55631302 (6520028M0002)	GP1A173LCS3F	1	1	2	4	

Cover-Assy-Top (C712)



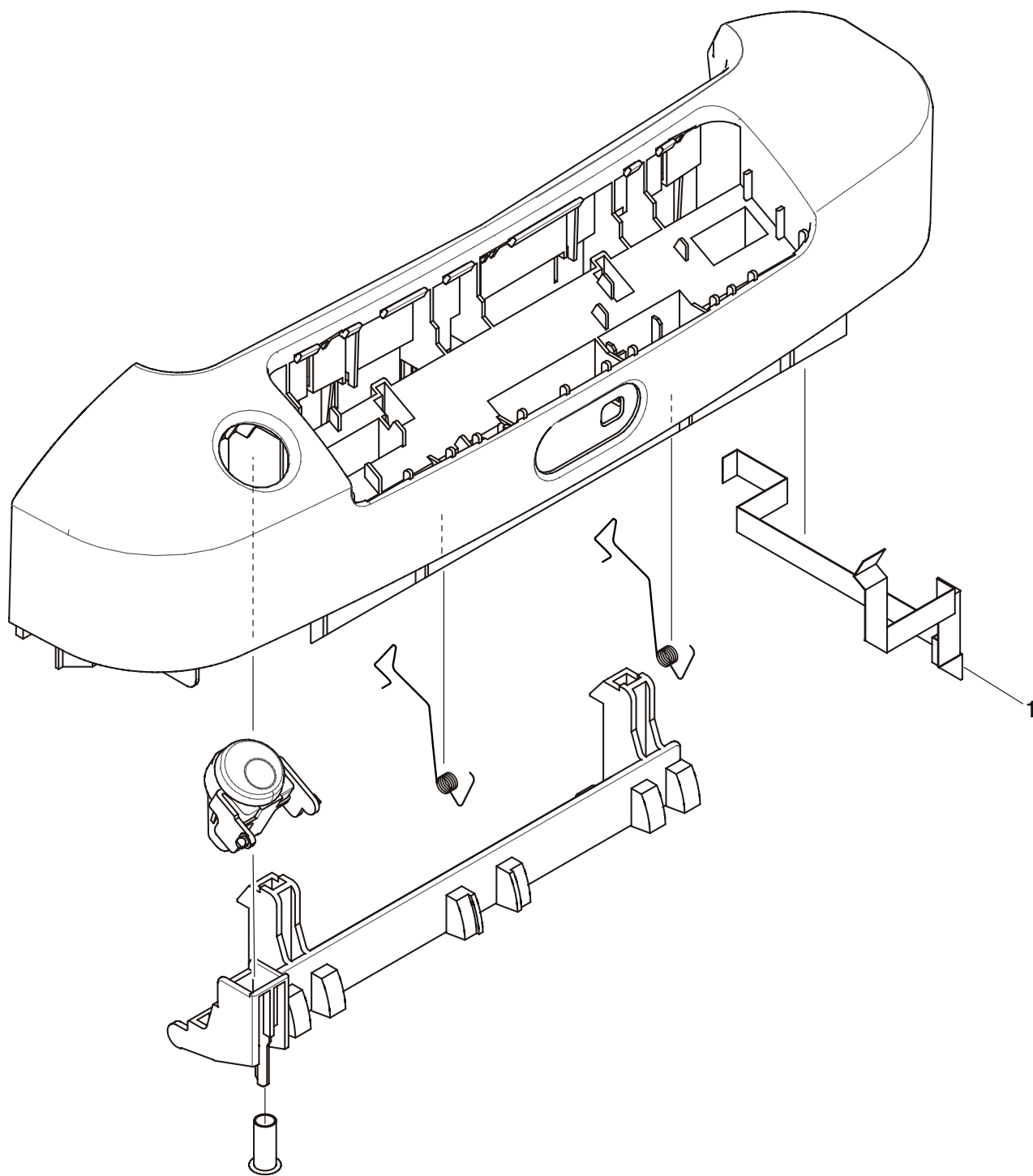
Unit Name	No.	Part No.	Part Name	Q'ty /Unit	Recommended Q'ty/Year			Remarks
					per 500	per 1000	per 2000	
Cover-Assy-Top(C712)	1	46445101	Cable Assy.-Head_	1	2	4	8	
Cover-Assy-Top(C712)	2	46443901	Cable-RFID(bend)-	1	1	2	4	

Cover-Assy-Top (C612)



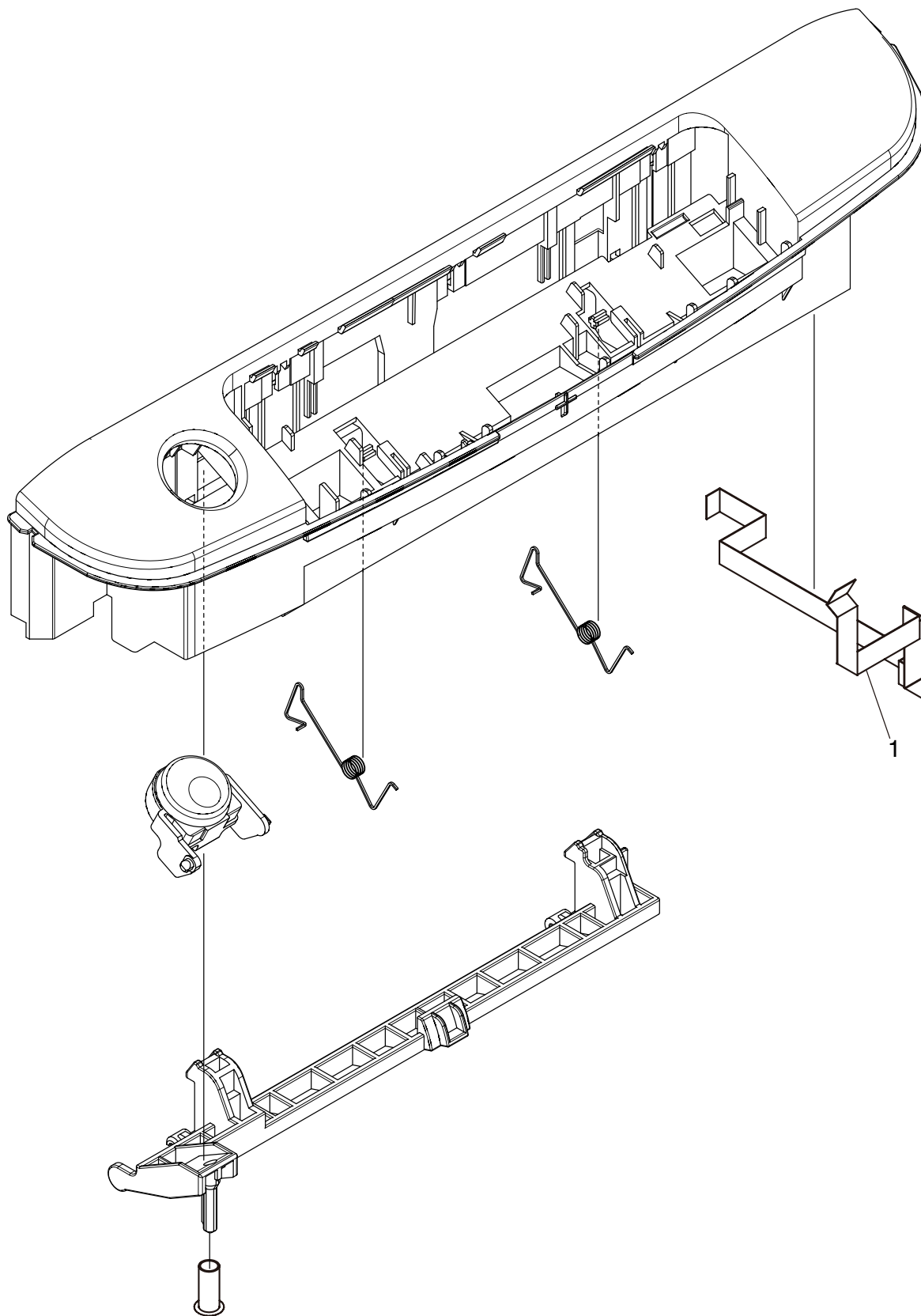
Unit Name	No.	Part No.	Part Name	Q'ty /Unit	Recommended Q'ty/Year			Remarks
					per 500	per 1000	per 2000	
Cover-Assy-Top(C612)	1	46444501	Cable Assy.-Head_E	1	2	4	8	
Cover-Assy-Top(C612)	2	46443601	Cable-RFID(Bend)-755E	1	1	2	4	

Frame Assy-OP (C712)



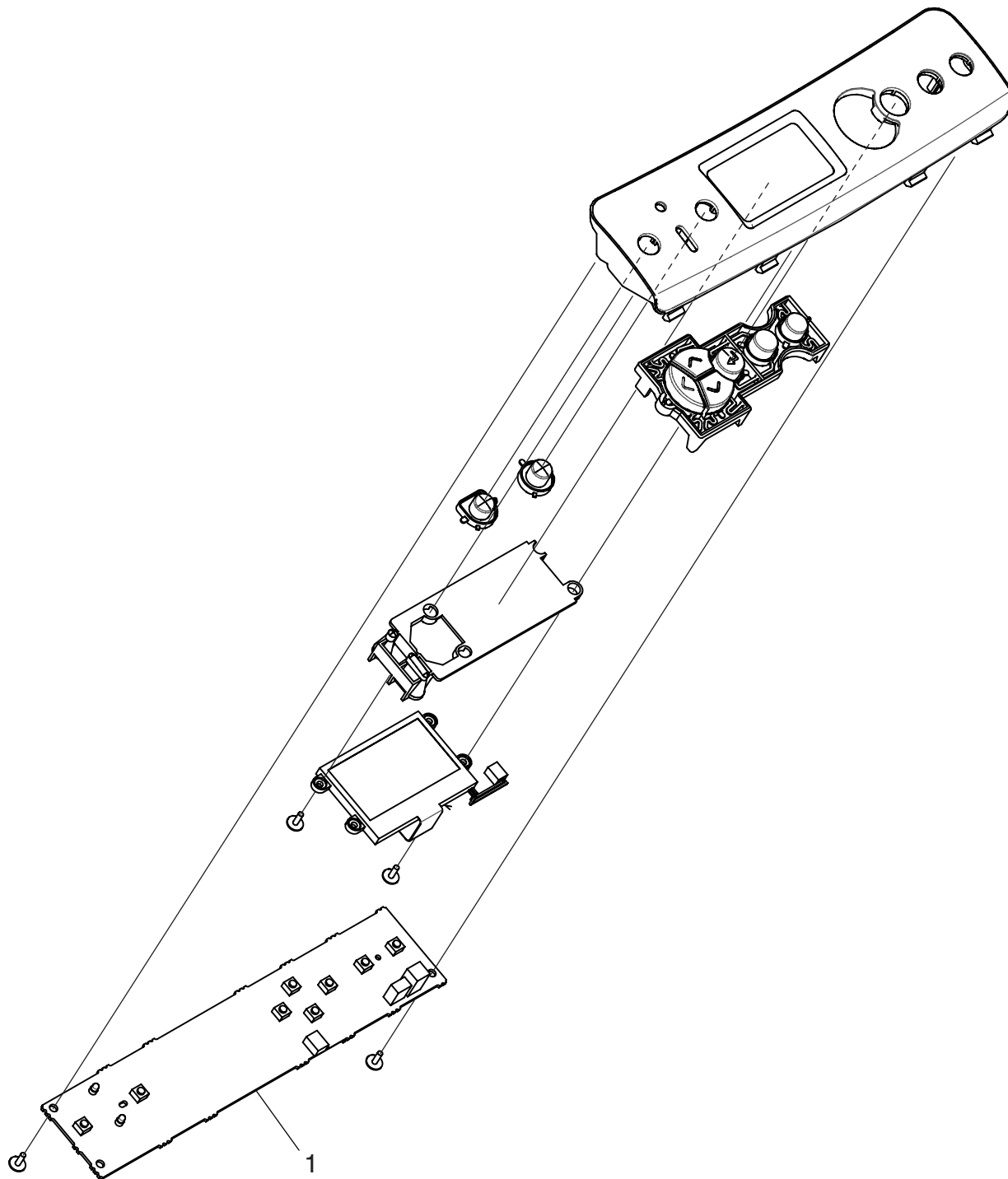
Unit Name	No.	Part No.	Part Name	Q'ty /Unit	Recommended Q'ty/Year			Remarks
					per 500	per 1000	per 2000	
Frame Assy-OP(C712)	1	44483201	CONN-Cord-OP-bend	1	1	2	4	

Frame Assy-OP (C612)



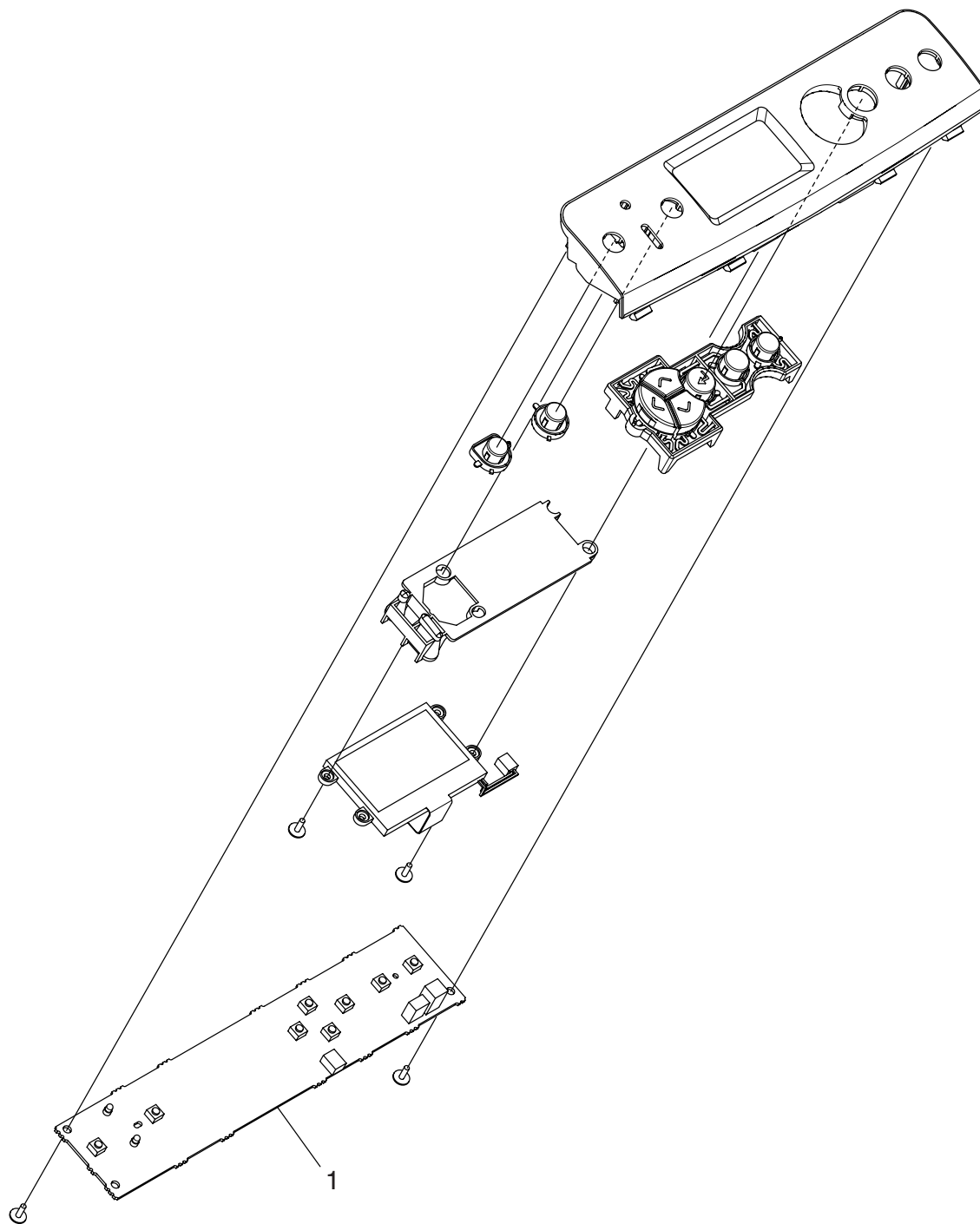
Unit Name	No.	Part No.	Part Name	Q'ty /Unit	Recommended Q'ty/Year			Remarks
					per 500	per 1000	per 2000	
Frame Assy-OP(C612)	1	44483201	CONN-Cord-OP-bend	1	1	2	4	

Cover Assy-OP (C712)



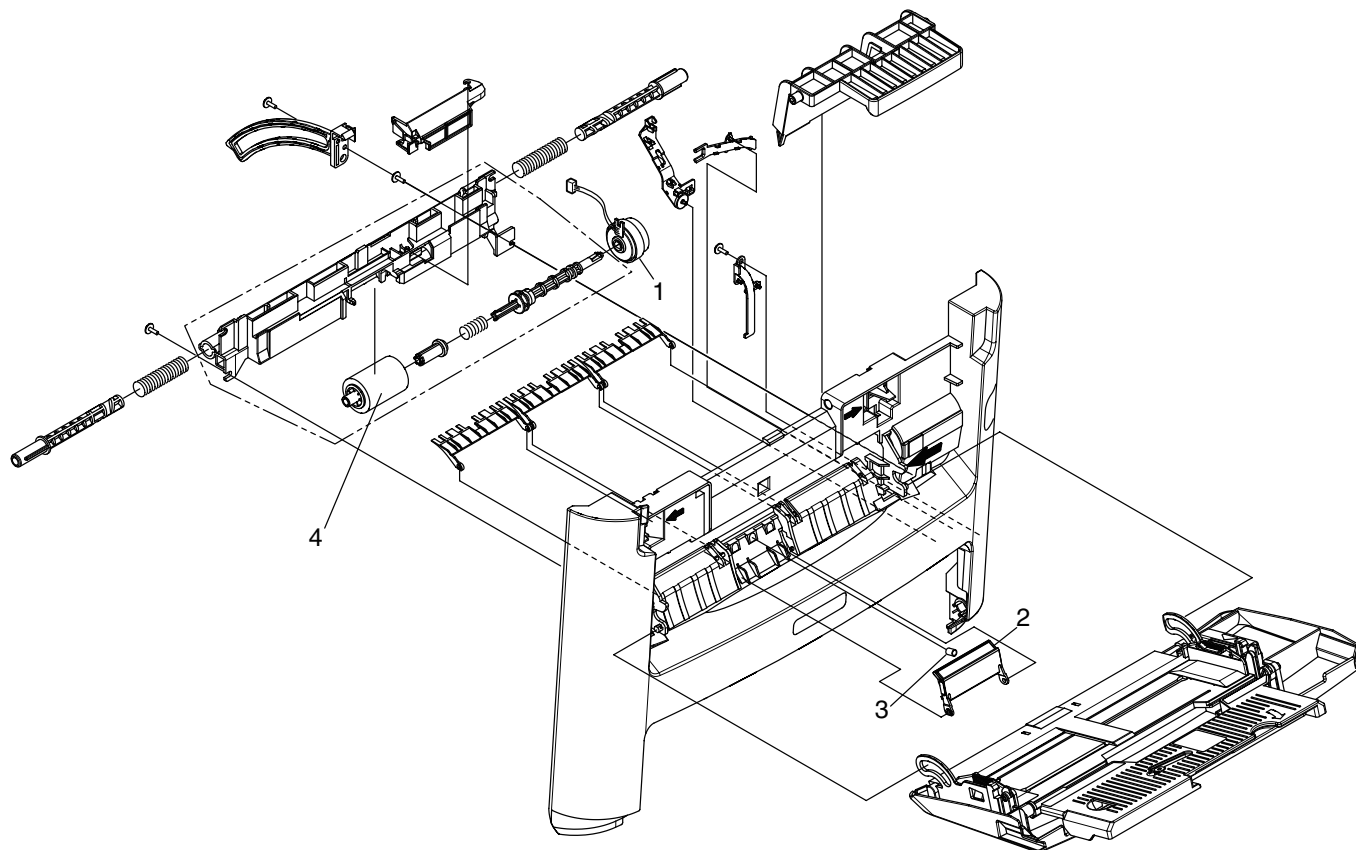
Unit Name	No.	Part No.	Part Name	Q'ty /Unit	Recommended Q'ty/Year			Remarks
					per 500	per 1000	per 2000	
Cover Assy.- OP(C712)	1	44267701	OR-IBG	1	1	2	4	

Cover Assy-OP (C612)



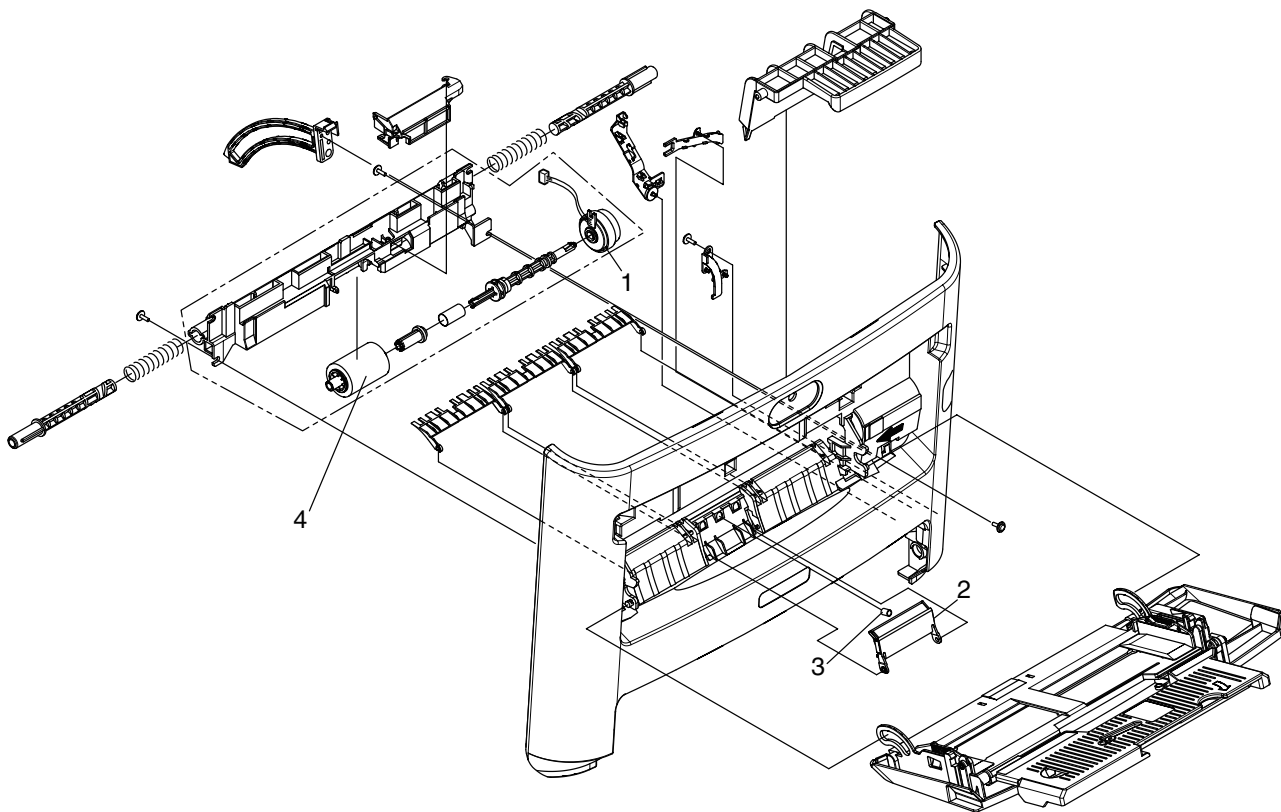
Unit Name	No.	Part No.	Part Name	Q'ty /Unit	Recommended Q'ty/Year			Remarks
					per 500	per 1000	per 2000	
Cover Assy.- OP(C612)	1	44267701	OR-IBG	1	1	2	4	

Cover-Assy-Front (C712)



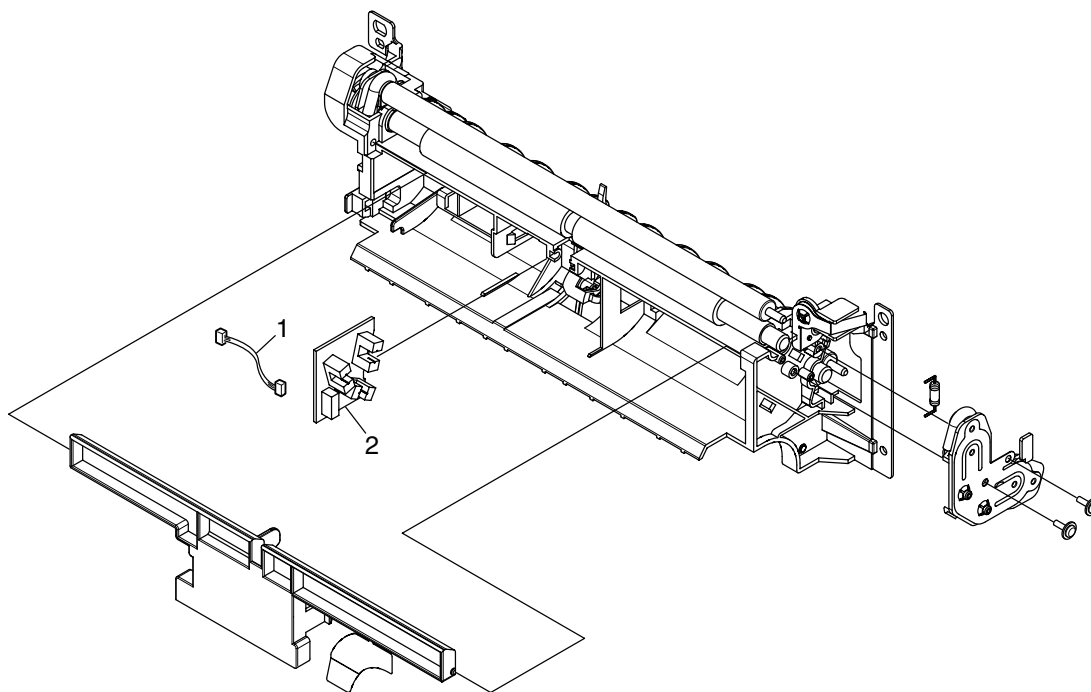
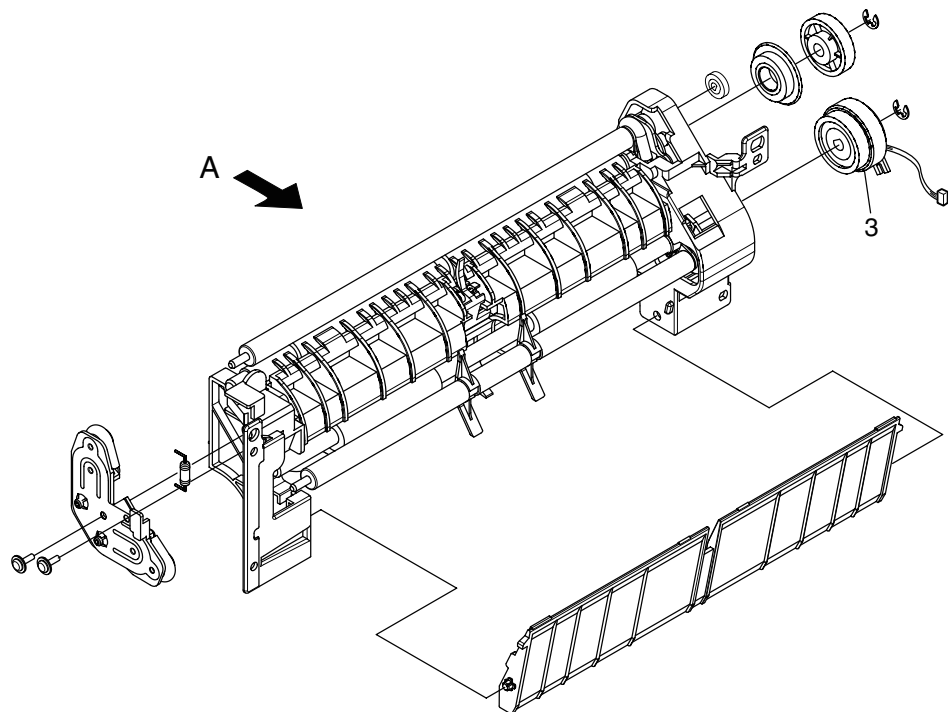
Unit Name	No.	Part No.	Part Name	Q'ty /Unit	Recommended Q'ty/Year			Remarks
					per 500	per 1000	per 2000	
Cover-Assy-Front(C712)	1	44261402	Clutch	1	1	2	4	
Cover-Assy-Front(C712)	2	43922402	Frame Assy.-Separator	1	1	2	4	
Cover-Assy-Front(C712)	3	45454201	Spring-Separator	1	1	2	4	
Cover-Assy-Front(C712)	4	43922301	Roller-Assy-MPT	1	1	2	4	

Cover-Assy-Front (C612)



Unit Name	No.	Part No.	Part Name	Q'ty /Unit	Recommended Q'ty/Year			Remarks
					per 500	per 1000	per 2000	
Cover-Assy-Front(C612)	1	44261402	Clutch	1	1	2	4	
Cover-Assy-Front(C612)	2	43922402	Frame Assy.-Separator	1	1	2	4	
Cover-Assy-Front(C612)	3	45454201	Spring-Separator	1	1	2	4	
Cover-Assy-Front(C612)	4	43922301	Roller-Assy-MPT	1	1	2	4	

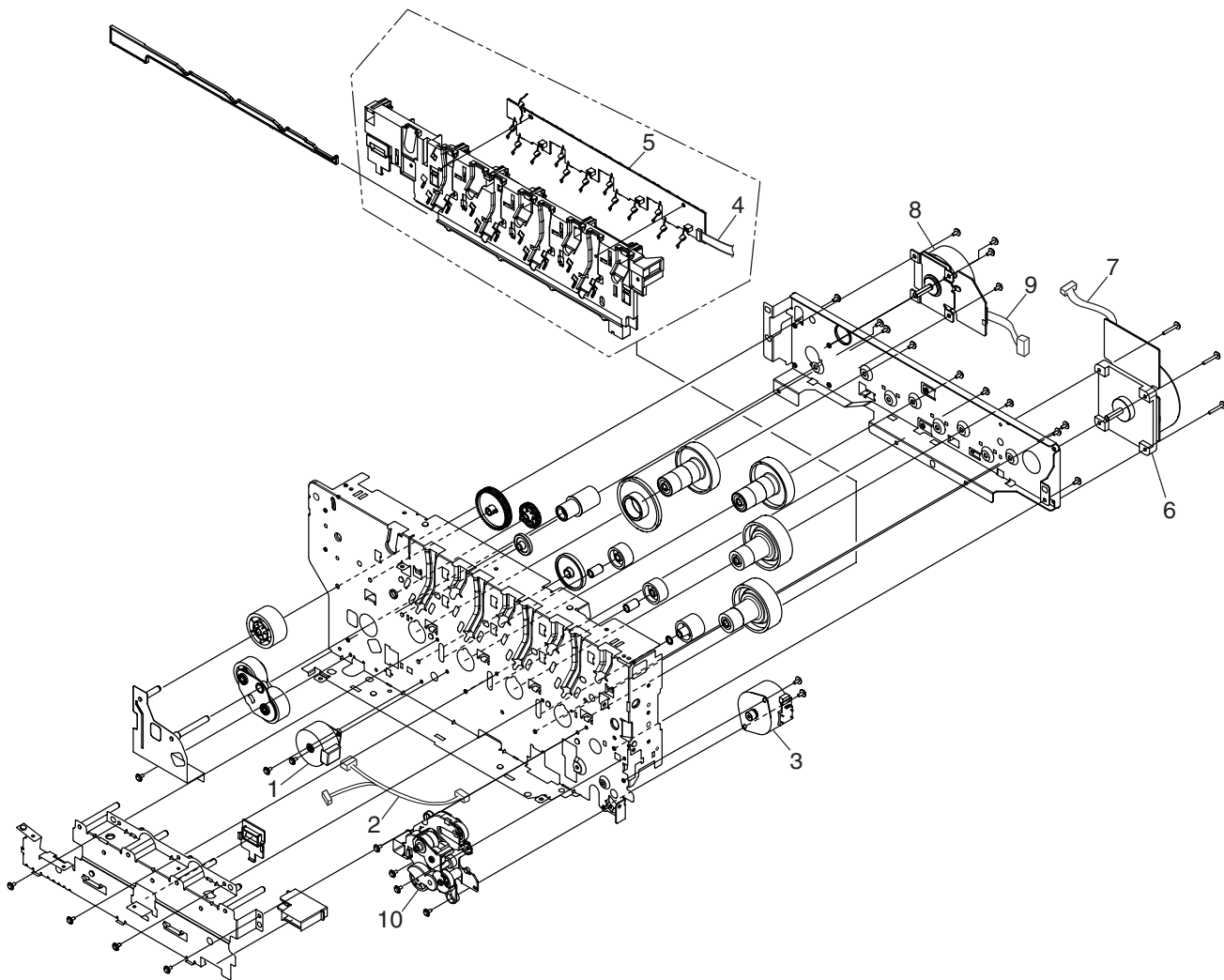
Feeder-Assy-Regist



View on Arrow A

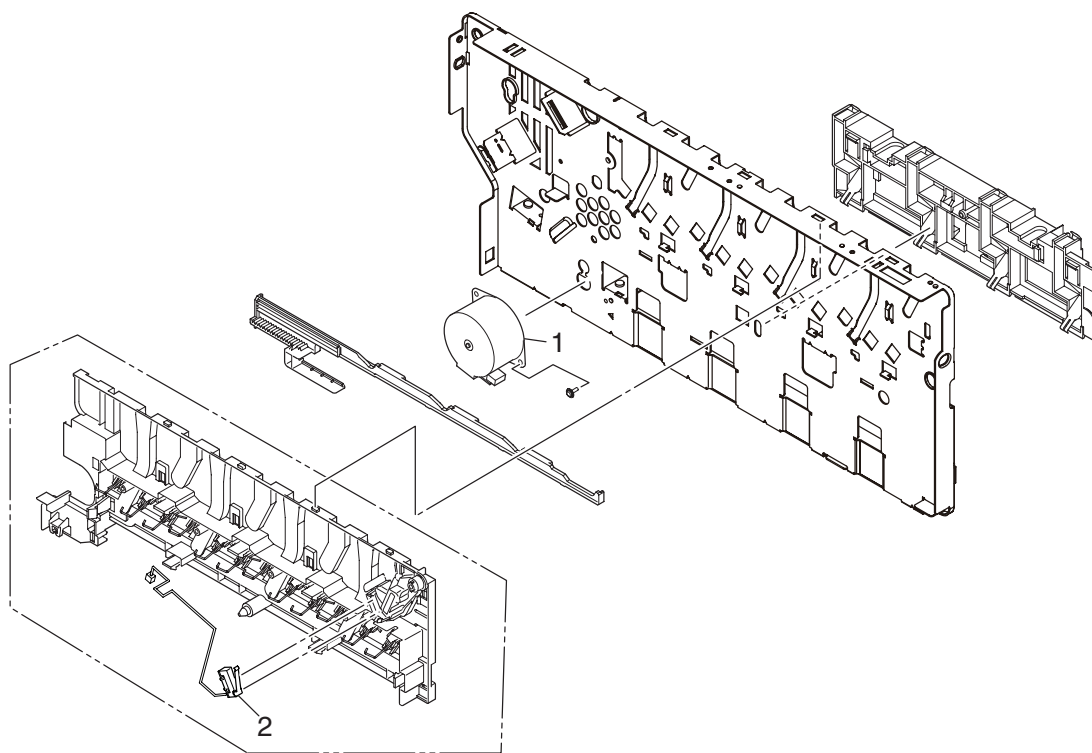
Unit Name	No.	Part No.	Part Name	Q'ty /Unit	Recommended Q'ty/Year			Remarks
					per 500	per 1000	per 2000	
Feeder-Assy-Regist	1	44256101	CONN Cord-AMP5PAMP5P	1	1	2	4	
Feeder-Assy-Regist	2	42135802	Board-RSF	1	2	4	8	
Feeder-Assy-Regist	3	44261401	Clutch	1	1	2	4	

Plate-Assy-Side R



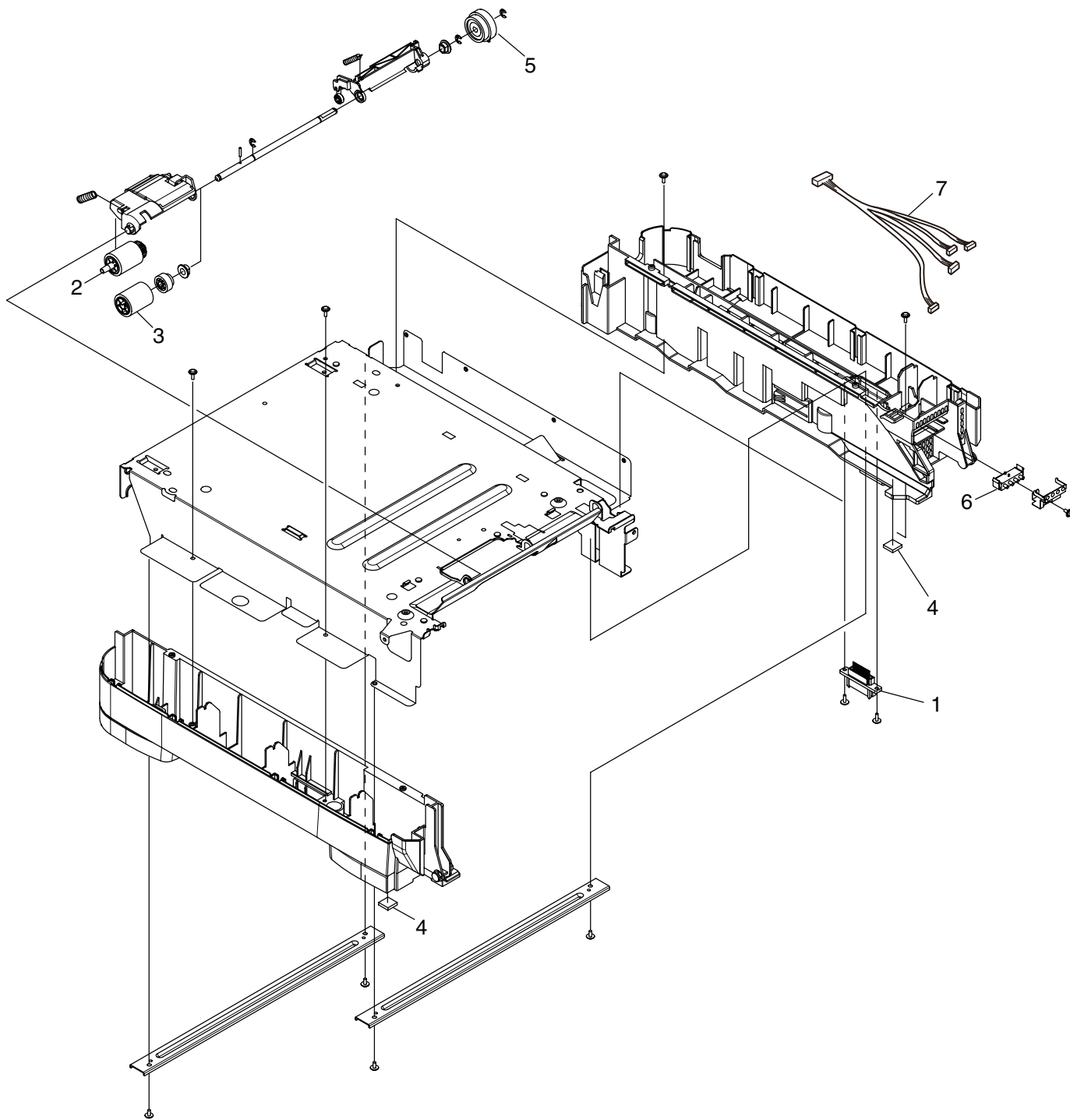
Unit Name	No.	Part No.	Part Name	Q'ty /Unit	Recommended Q'ty/Year			Remarks
					per 500	per 1000	per 2000	
Plate-Assy-Side R	1	43276201	OR-Motor_Pulse_Liftup	1	1	2	4	
Plate-Assy-Side R	2		CONN Cord-AMP8P-AMP4PAMP4P	1	1	2	4	
Plate-Assy-Side R	3	43276301	OR-Motor_Pulse_HOP	1	1	2	4	
Plate-Assy-Side R	4		TW-VF/SMCD11-150-1.0	1	1	2	4	
Plate-Assy-Side R	5	43131601	OR-PRZ	1	1	2	4	
Plate-Assy-Side R	6	44219401	Motor-DC-ID	1	1	2	4	
Plate-Assy-Side R	7		CONN Cord-JST9P-JST9P	1	1	2	4	
Plate-Assy-Side R	8	44349601	Motor-DC(F)	1	1	2	4	
Plate-Assy-Side R	9		CONN Cord- AMP10P-JST8P	1	1	2	4	
Plate-Assy-Side R	10	44259301	Gear Assy.-HP	1	1	2	4	

Plate-Assy-Side L



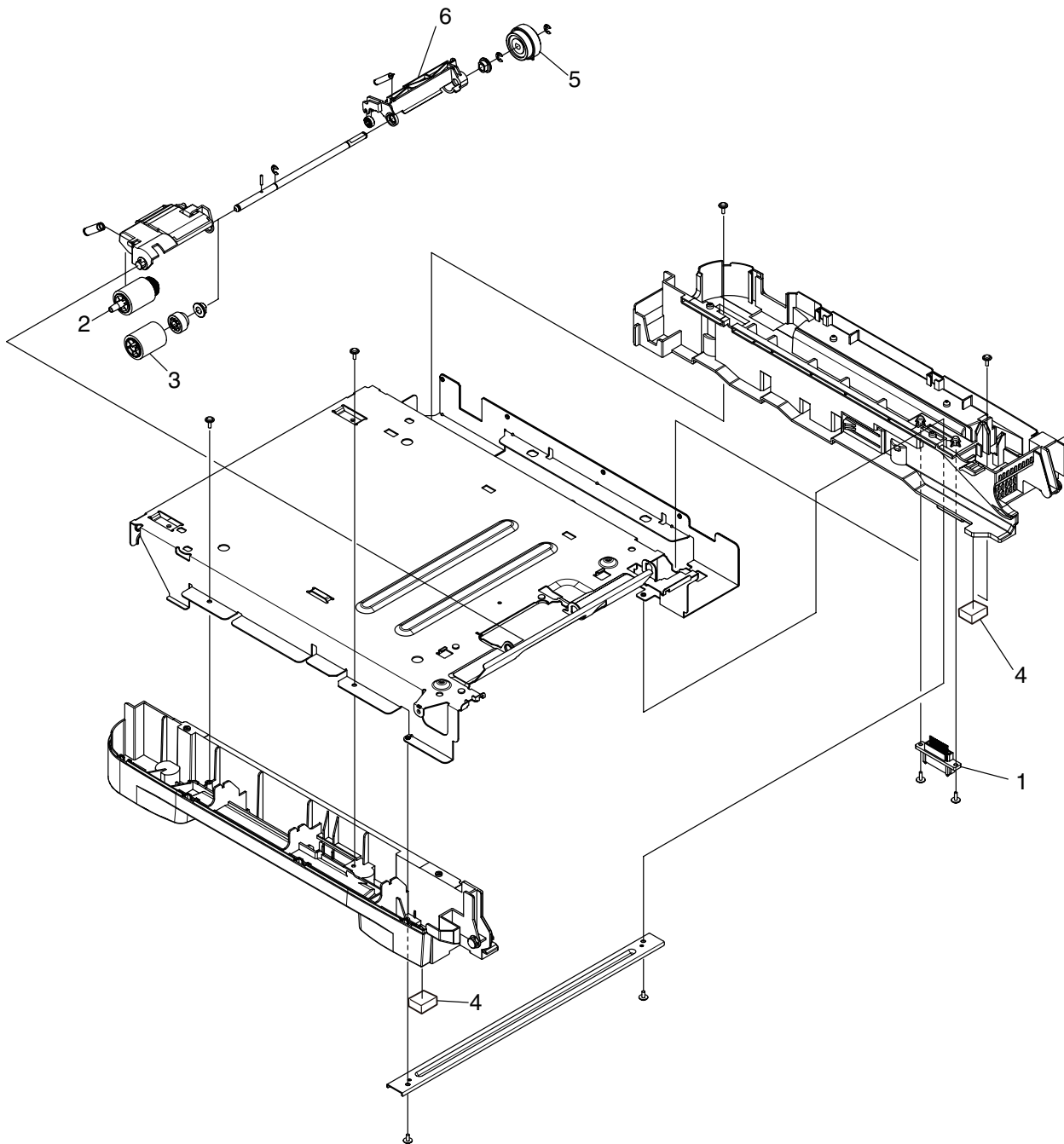
Unit Name	No.	Part No.	Part Name	Q'ty /Unit	Recommended Q'ty/Year			Remarks
					per 500	per 1000	per 2000	
Plate-Assy-Side L	1	43276401	OR-Motor_Pulse_Belt	1	1	2	4	
Plate-Assy-Side L	2	43945401	CONN Cord-AMP4P-SW	1	2	4	8	

Plate-Assy-Base (C712)



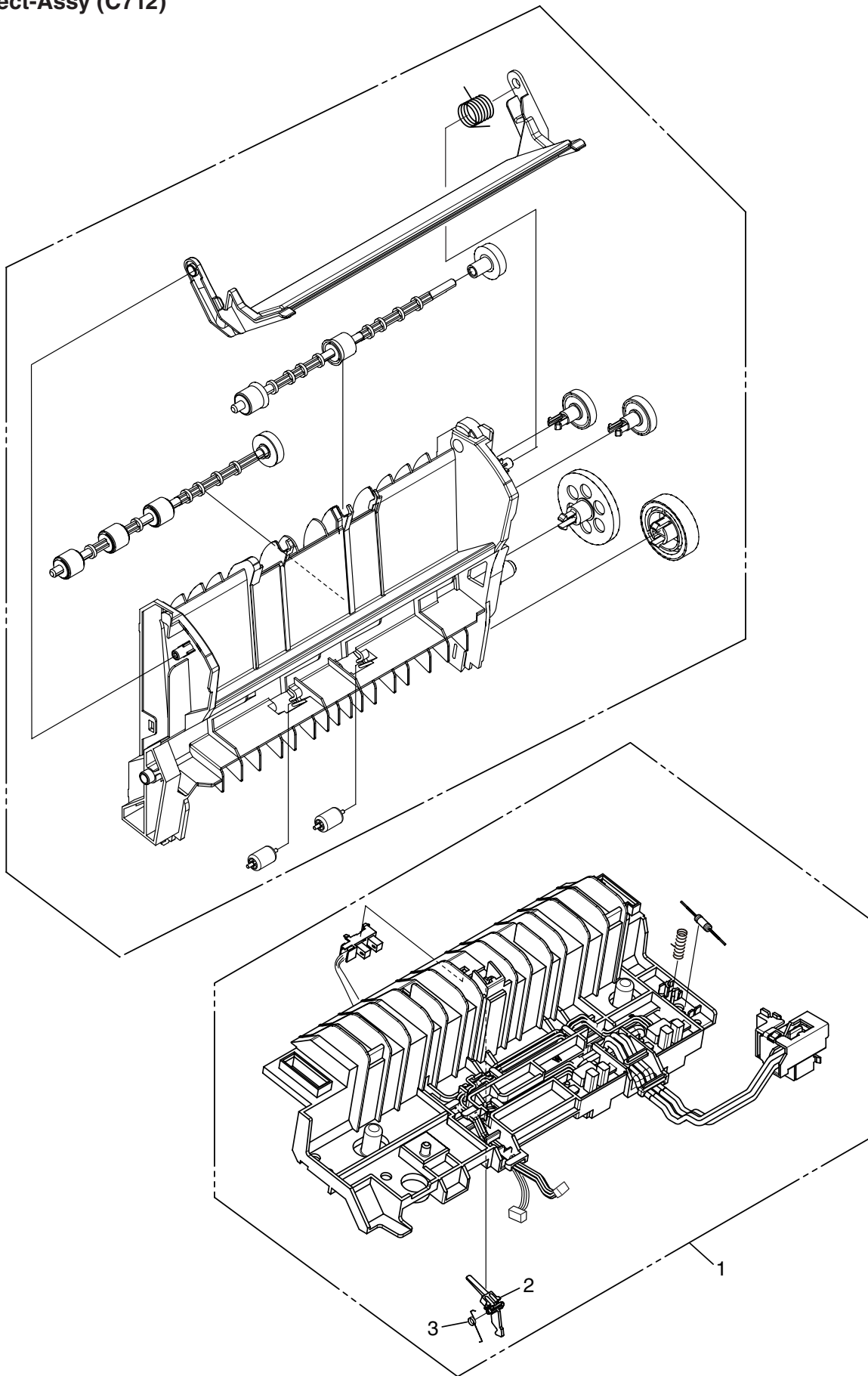
Unit Name	No.	Part No.	Part Name	Q'ty /Unit	Recommended Q'ty/Year			Remarks
					per 500	per 1000	per 2000	
Plate-Assy-Base(C712)	1	56740420 (2233013P0120)	9715B-12Z02-G4C	1	2	4	8	
Plate-Assy-Base(C712)	2	42699401	Roller-Pick-Up	1	1	2	4	
Plate-Assy-Base(C712)	3	43000601	Roller-Feed-NOW	1	1	2	4	
Plate-Assy-Base(C712)	4		Rubber-Foot	2	2	4	8	
Plate-Assy-Base(C712)	5	44261401	Clutch	1	1	2	4	
Plate-Assy-Base(C712)	6	50425005 (2055150P4000)	HS12-0010	1	1	2	4	
Plate-Assy-Base(C712)	7		CONN Cord-AMP13P-AMP4PAMP2PAMP2PAMP5P	1	1	2	4	

Plate-Assy-Base (C612)



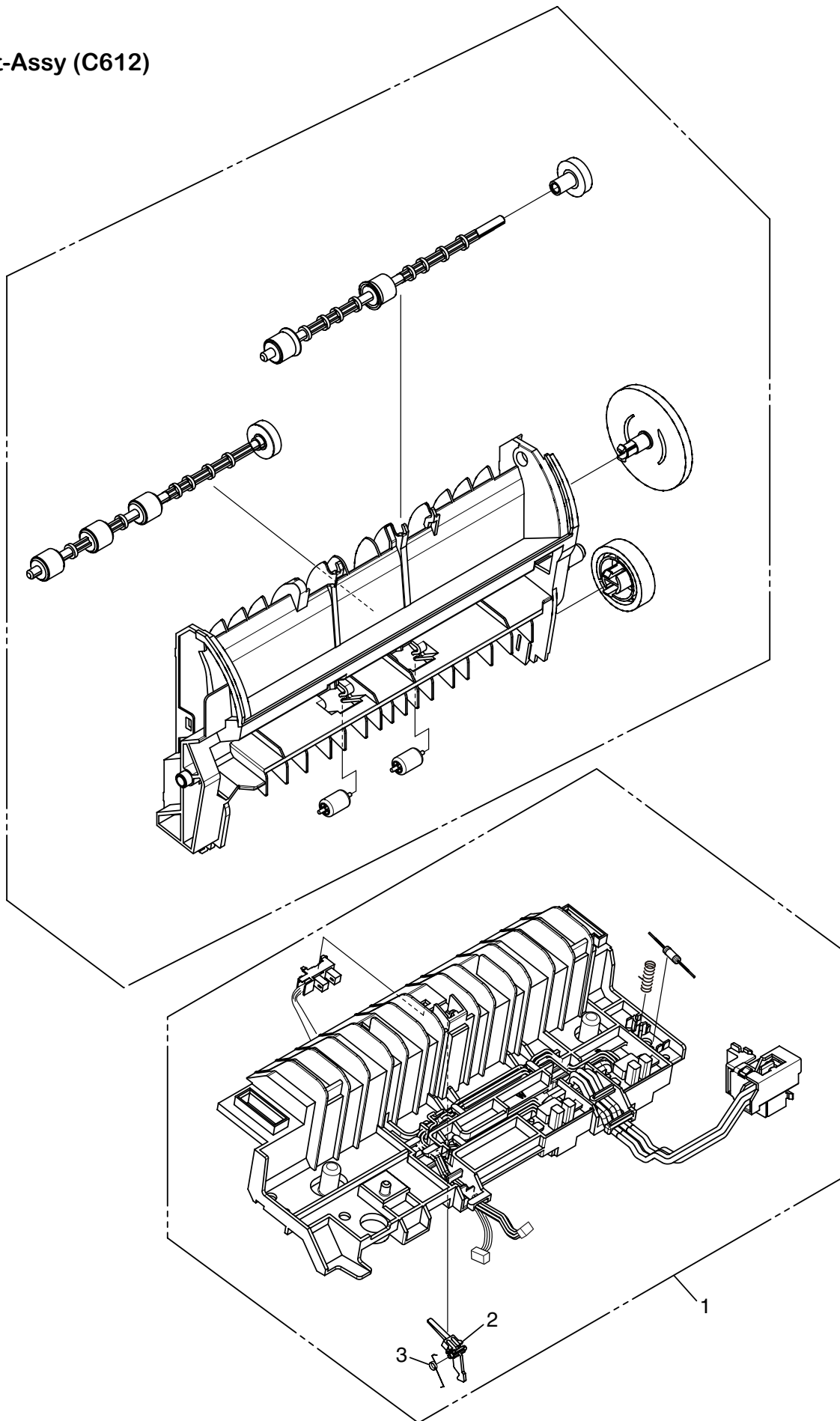
Unit Name	No.	Part No.	Part Name	Q'ty /Unit	Recommended Q'ty/Year			Remarks
					per 500	per 1000	per 2000	
Plate-Assy-Base(C612)	1	56740420 (2233013P0120)	9715B-12Z02-G4C	1	2	4	8	
Plate-Assy-Base(C612)	2	42699401	Roller-Pick-Up	1	1	2	4	
Plate-Assy-Base(C612)	3	43000601	Roller-Feed-NOW	1	1	2	4	
Plate-Assy-Base(C612)	4		Rubber-Foot	2	2	4	8	
Plate-Assy-Base(C612)	5	44261401	Clutch	1	1	2	4	
Plate-Assy-Base(C612)	6	43734901	Frame-PickUp	1	1	2	4	

Eject-Assy (C712)



Unit Name	No.	Part No.	Part Name	Q'ty /Unit	Recommended Q'ty/Year			Remarks
					per 500	per 1000	per 2000	
Eject-Assy(C712)	1	44259704	Guide Assy.-Eject-L	1	1	2	4	
Eject-Assy(C712)	2	43101801	Lever-Exit-Sensor	1	1	2	4	
Eject-Assy(C712)	3	40386501	Spring-SNS(F/R)	1	1	2	4	

Eject-Assy (C612)



Unit Name	No.	Part No.	Part Name	Q'ty /Unit	Recommended Q'ty/Year			Remarks
					per 500	per 1000	per 2000	
Eject-Assy(C612)	1	44259704	Guide Assy.-Eject-L	1	1	2	4	
Eject-Assy(C612)	2	43101801	Lever-Exit-Sensor	1	1	2	4	
Eject-Assy(C612)	3	40386501	Spring-SNS(F/R)	1	1	2	4	