

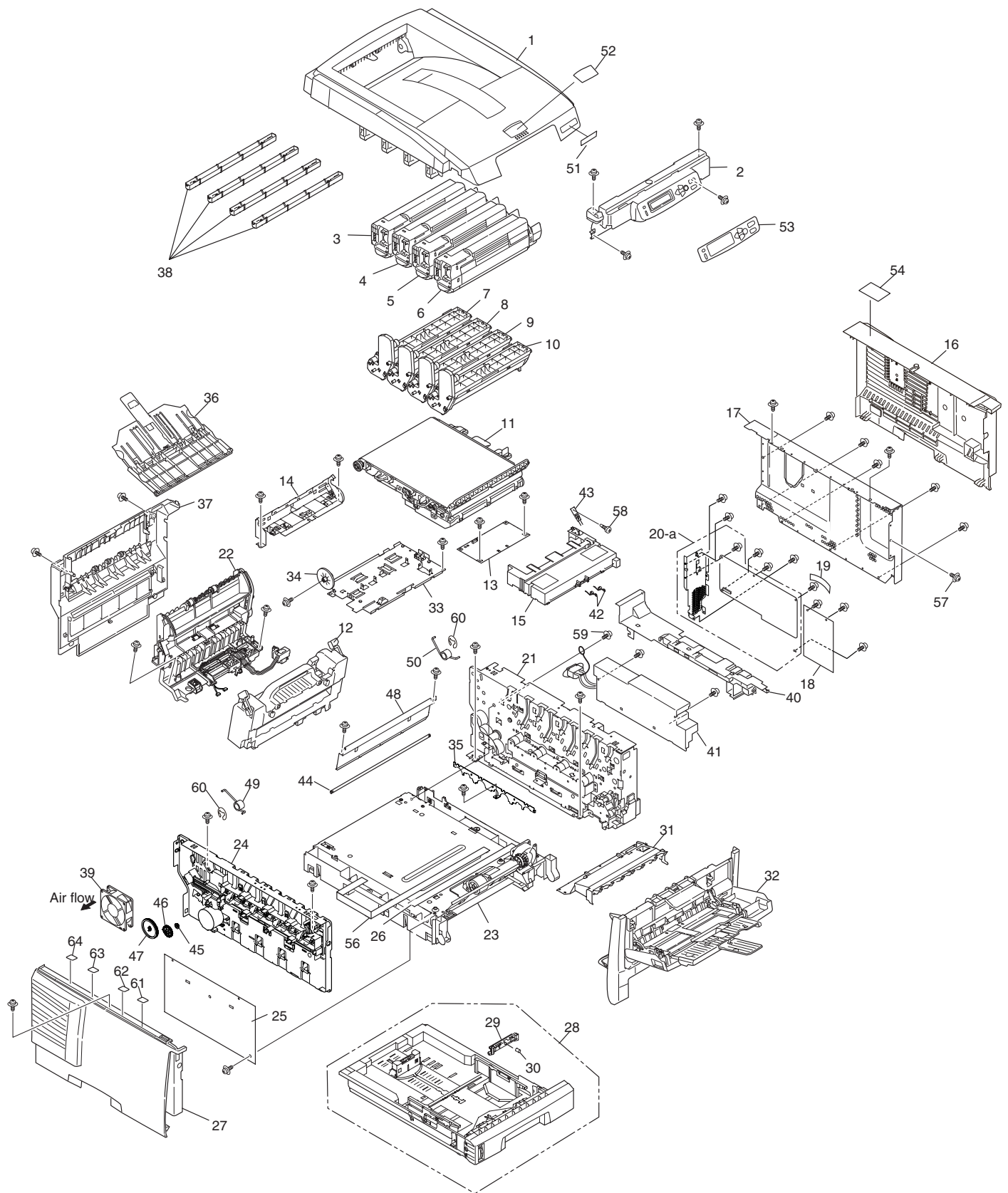
C5650/C6050/C6150

Spare Parts

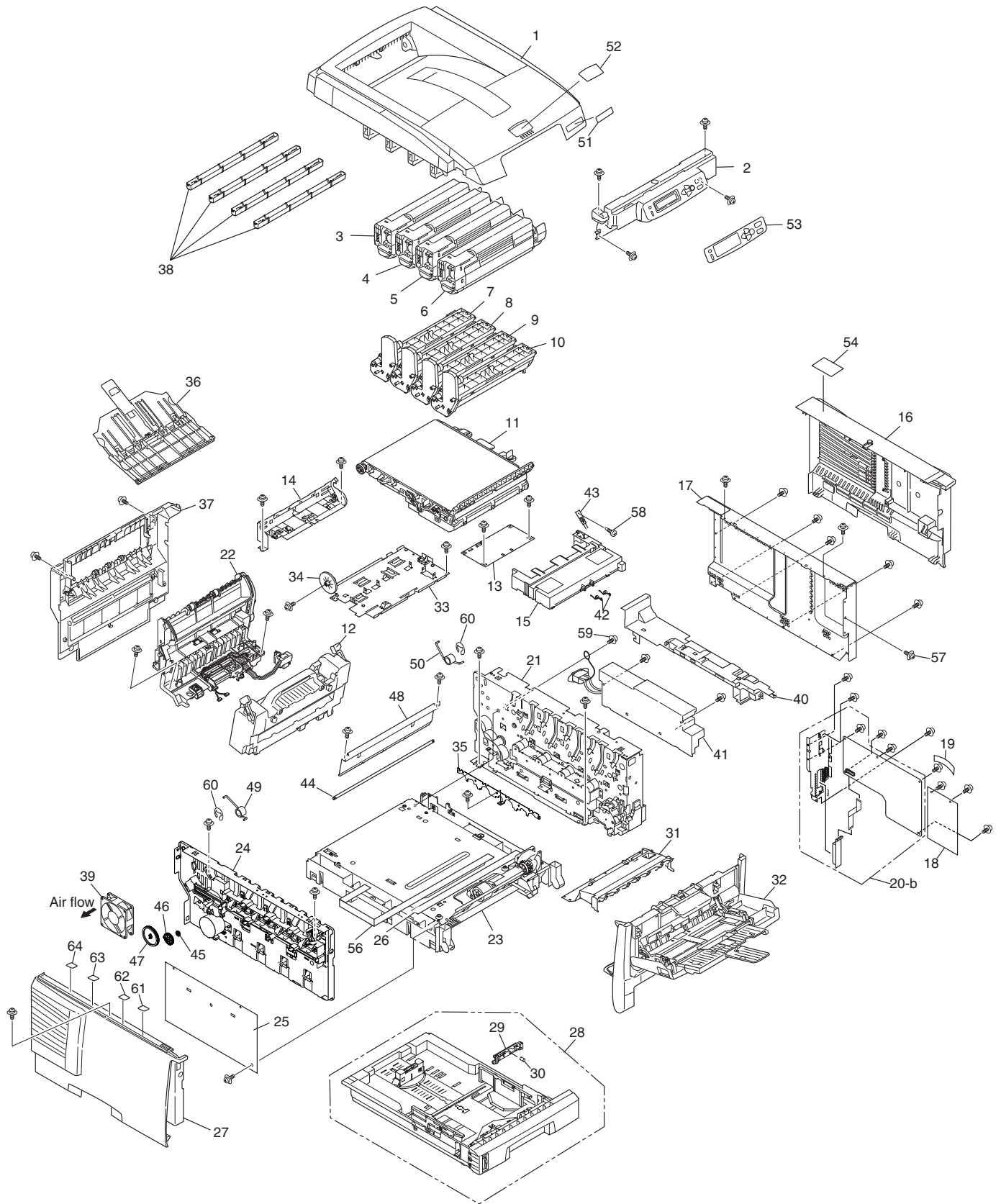
Illustration Manual

101308A

Parts Layout (C5650)



Parts Layout (C6150/C6050)



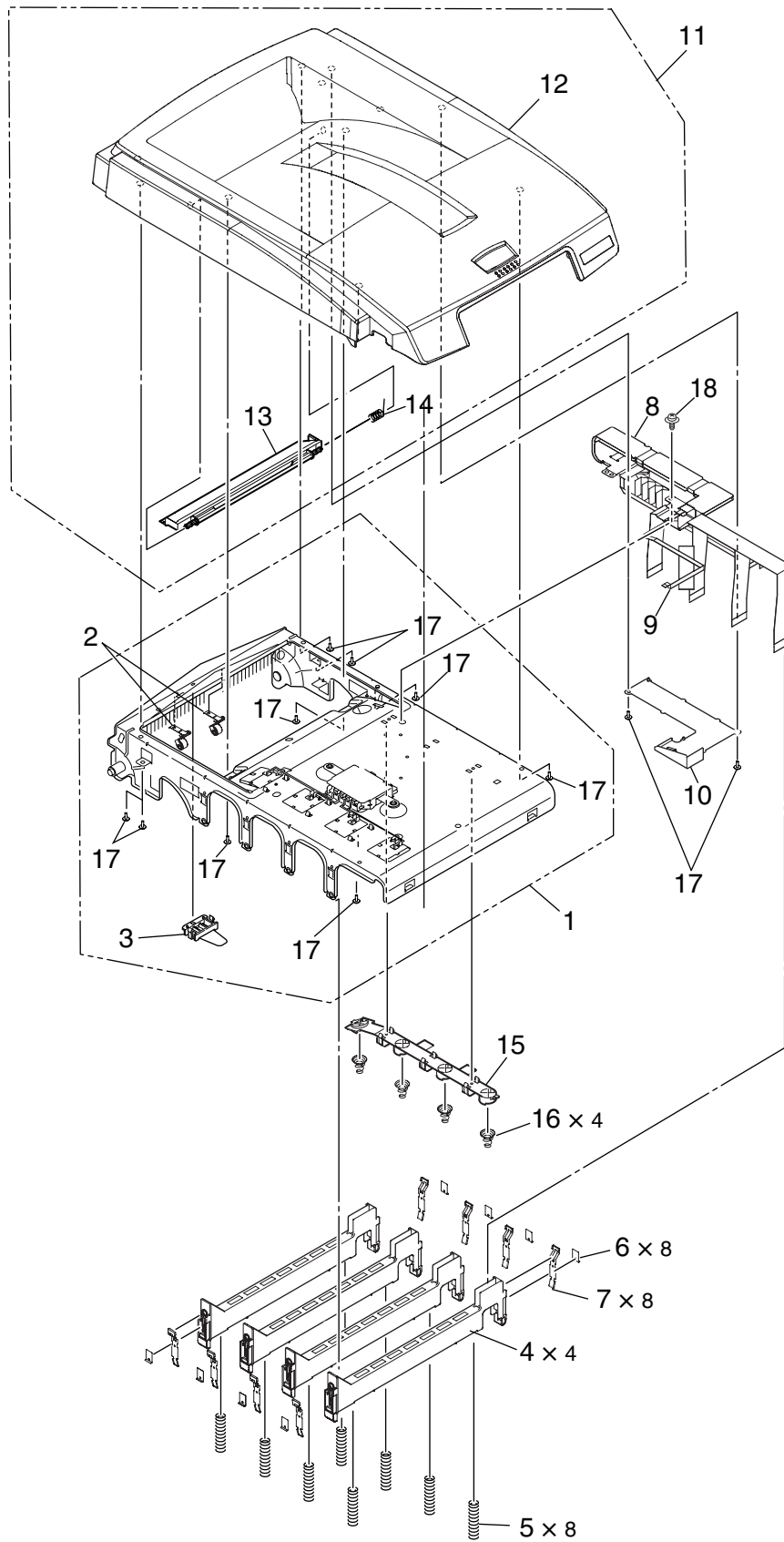
Parts Layout C5650/C6050/C6150

No.	Part No.	Part Name	Remarks	Q'ty /Unit
1		Cover Assy.-Top (C)		1
2	43296404	Frame Assy.-OP(C)		1
3		Toner Cartridge C		1
4		Toner Cartridge M		1
5		Toner Cartridge Y		1
6		Toner Cartridge K		1
7		ID unit C		1
8		ID unit M		1
9		ID unit Y		1
10		ID unit K		1
11	43363401	Transfer Belt Unit		1
12	43853101	Fuser Unit	(120V)	1
12	43853102	Fuser Unit	(230V)	1
13	43131301	OR-PRY	Board-PRY	1
14	42626502	Sensor-Assy-Color-Regist		1
15	42066901	Cover-Driver		1
16		Cover-Assy.-SideR	C6050/C6150	1
16		Cover-Assy.-SideR	C5650	1
17	43096301	Plate-Shield-A	PDL C6050/C6150	1
17	43096302	Plate-Shield-A	GDI C5650	1
18	43131004	OR-PRX	Board-PU	1
19		TW-VF/SMCD12-40-1.0	PU-CU	1
20-b	43793701	C6150 CU PCB Assy.		1
20-b	43793711	C6050 CU PCB Assy.		1
20-b	43653211	C5650 CU PCB Assy.		1
21		Plate-Assy.-Side R(PX734)		1
22	43076205	Eject Assy.		1
23		Plate-Assy.-Base		1

24		Plate-Assy.-SideL(PX-734)		1
25	43694601	Power unit-DCDC	High Voltage	1
26	43393801	CONN-High Voltage(Bend)		1
27		Cover-Side(L)		1
28	43070402	Cassette-Assy.		1
29	42088801	Frame-Separation-Assy.		1
30	42089001	Spring-Separation		1
31		Cover Assy-Hopping		1
32	43077408	Feeder-Unit-PX734(C)		1
33		Plate-Driver(PU)(Caulking)		1
34	43076101	Gear-Idle-Belt-Z20Z93		1
35		Plate-Lockout-ID	C6150,C6050,C5650_ODA	1
36	43078702	Cover Assy.-FaceUP		1
37		Cover-Sub Assy.-Rear		1
38	43295201	LED HEAD Unit 51STA	600DPI	4
39	43289101	OR-Motor FAN (80)	FUSER	1
40		Guide-Cable-(Pow- low)		1
41	42997802	PWR unit-ACDC Switch	Power Unit (LOW Voltage) 100V	1
41	43455902	PWR unit-ACDC Switch	Power Unit (LOW Voltage) 200V	1
42	42067001	Spring-BeltFuse		2
43	42605201	Thermistor-Belt		1
44		Shaft-Liftup-PX734	C5650	1
45	42060701	Bush		1
46	43075201	Gear-LiftupL-Z32		1
47	43075501	Gear-LiftupLinkL-Z56		1
48		Plate-Heat		1
49		Spring Torsion (L)		1
50		Spring Torsion (R)		1
51		Plate-Name		1

52		Plate-Logo		1
53		Sheet-OP-Panel (C)		1
54		Label-FuseJAM		1
56	43348901	CONN-Cord-FlexyDP(Bend)	PU-PRY	1
57		Cup Screw (S Tight M3)		41
58		TappingScrew-B2 L=10		1
59		Screw(SW+2W)		1
60		Ring		2
61		Label-Color K		1
62		Label-Color Y		1
63		Label-Color M		1
64		Label-Color C		1

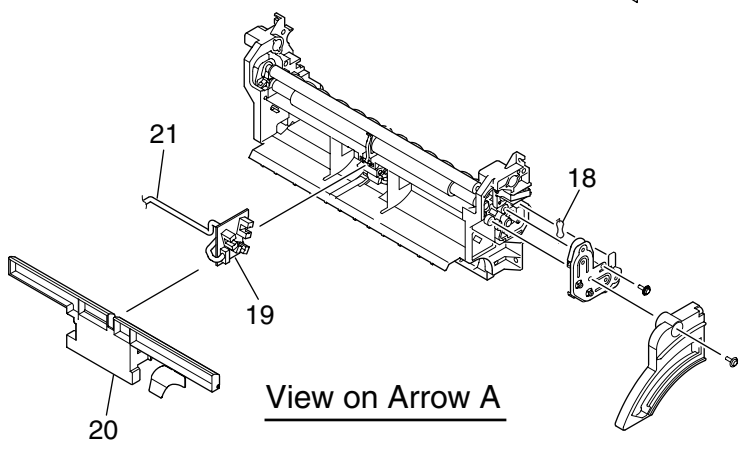
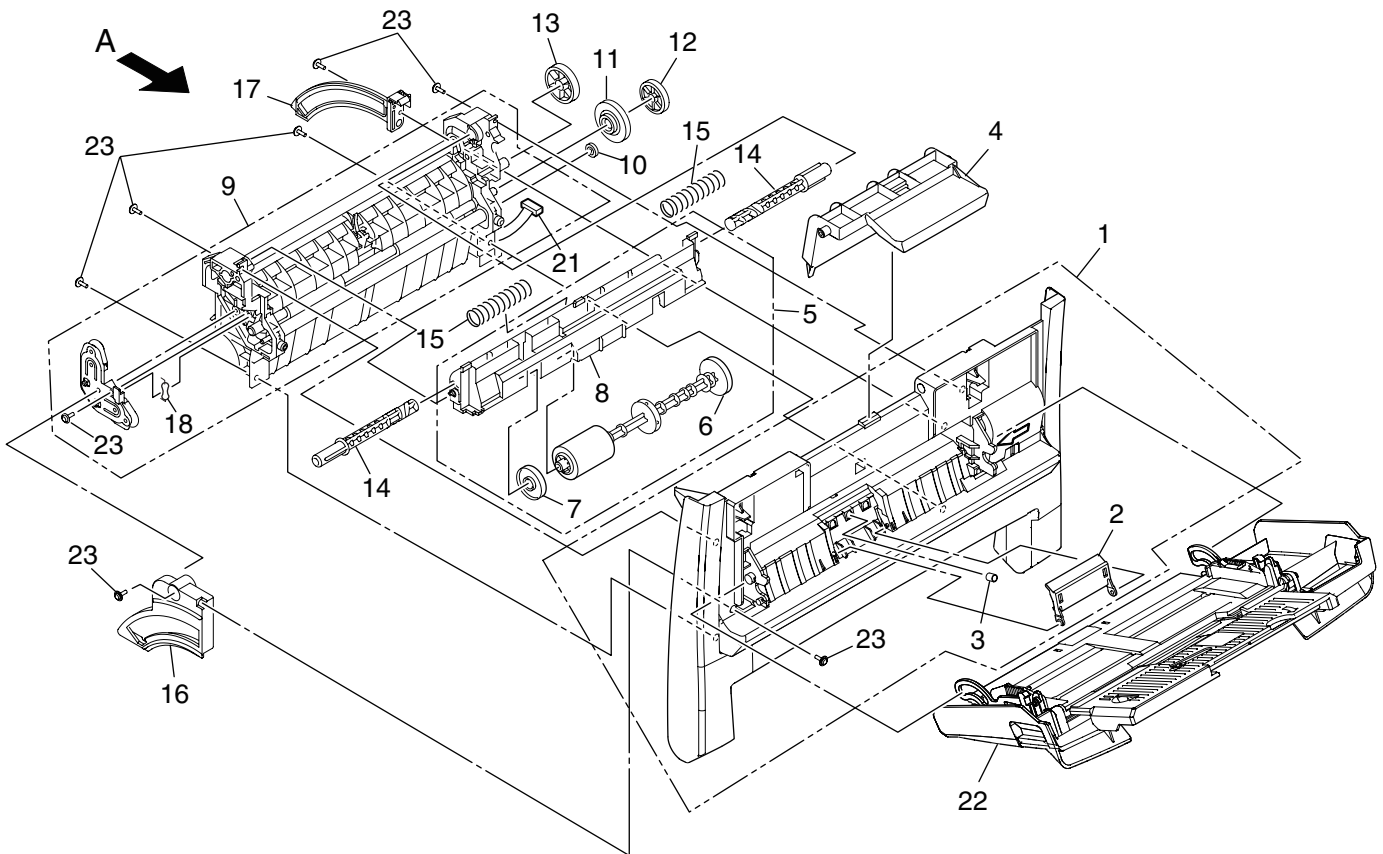
Top Cover Assy



Cover Assy Top

No.	Part No.	Part Name	Remarks	Q'ty /Unit
1		Plate Assy.-Inner		1
2	43296001	Roller Assy.-Idle(FD)		2
3		Guide Assy.-Paper		1
4	43265201	Holder-Head		4
5	43213201	Spring-Head		8
6		Plate- Stopper		8
7		Plate-FG-Head		8
8	43239001	Cable-Assy.-Head		1
9	43297001	Cable-RFID(Bend)		1
10		Cover-Cable		1
11		Cover-Ass.-Top(Sub)-C		1
12		Cover-Top(C)		1
13	42115704	Cover-Top(Sub)		1
14	42293101	Spring-Torsion(Sub)		1
15		Holder-SP(Inner)		1
16		Spring-Compression(ID)		4
17		Tapping Screw-B2 L=8		10
18		Cup_Screw (S Tight M3)		1

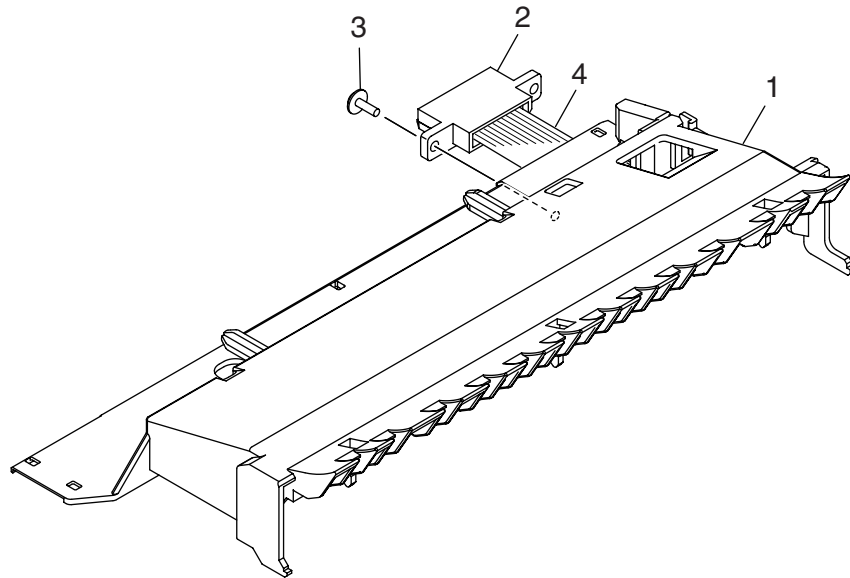
Feeder Unit



Feeder Unit

No.	Part No.	Part Name	Remarks	Q'ty /Unit
1	43077602	Cover Assy.-Front		1
2	42069701	Frame Assy.-Separator		1
3	42069901	Spring-Separator		1
4	42069603	Lever-Release-F		1
5		Guide-Assy.-Top		1
6	43334701	Shaft Assy.-MPT		1
7	42299701	Roller-Guide		1
8		Guide-Sheet-Top		1
9		Feeder-Assy.-Resist		1
10	42072201	Gear-Puressure		1
11		Gear-Regist-L(24-54)		1
12		Gear-Z42		1
13		Gear-Idle-MPT(26-50)		1
14		Post-Slide		2
15		Spring-Release-F		2
16		Stay-Front-L		1
17		Stay-Front-R		1
18	42796901	OR-RES-High-Voltage-Z		1
19	42135802	Board-RSF	Front Sensor	1
20		Cover-SNS		1
21	43093601	CONN Cord AMP5P-AMP5P	RSF-PU	1
22	43387101	MPT-Cover Assy.-PX734(C)		1
23		Tapping Screw B2 L=8		8

Cover Assy Hopping



Cover Assy Hopping

No.	Part No.	Part Name	Remarks	Q'ty /Unit
1		Cover-Hopping		1
2		9715B-11Z02 Connector-Plug		1
3		Tapping Screw B2 L=8		1
4	43137901	CONN Cord-JST22P-AMP10PAMP11P		1

Plate Assy Side R

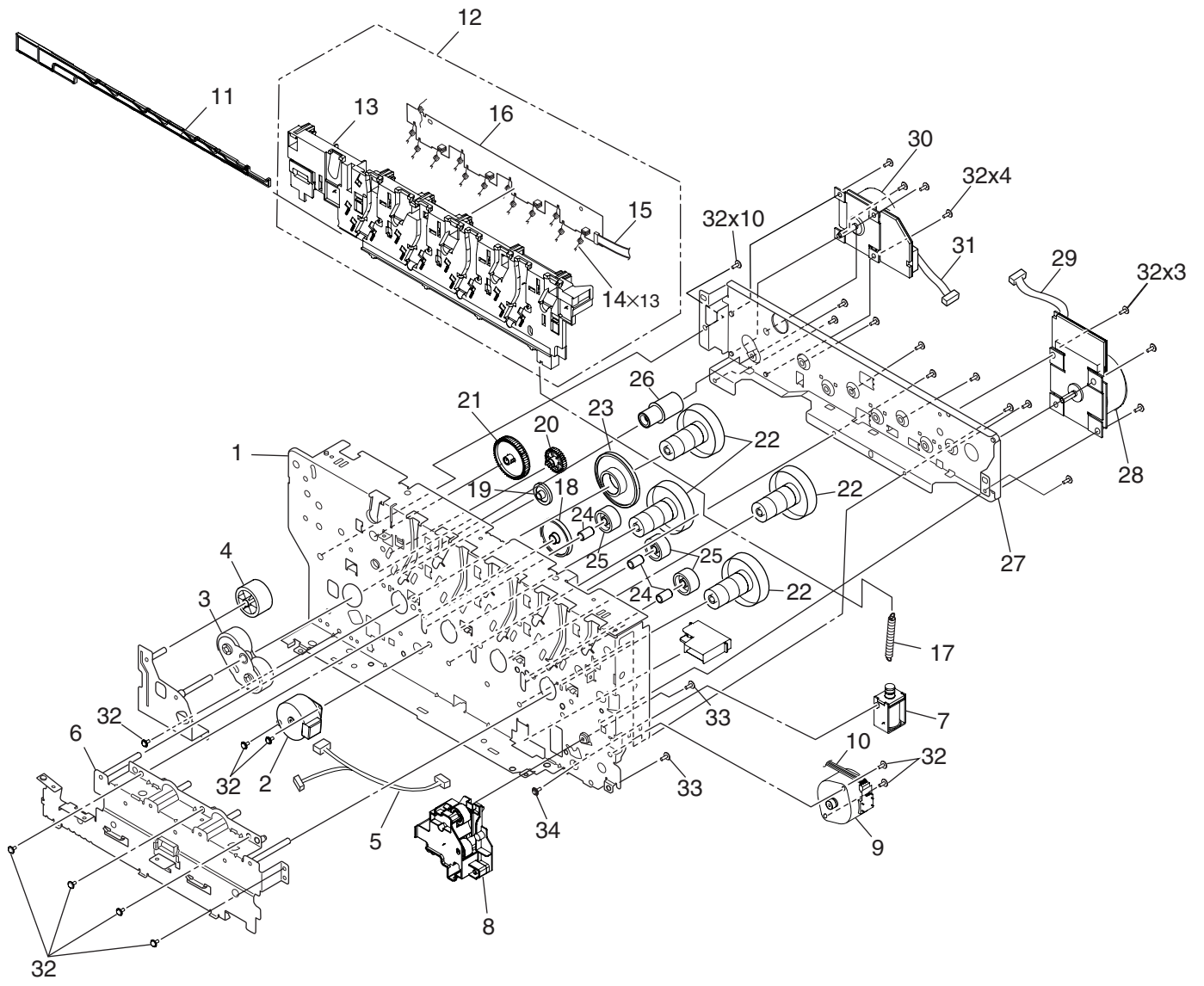


Plate Assy Side R

No.	Part No.	Part Name	Remarks	Q'ty /Unit
1		Plate-Side-R		1
2	43276201	OR-Motor_Pulse_Liftup		1
3	43072101	Gear-Planet-Assy		1
4	43085301	Gear-Idle-Exit-Z32		1
5	43138001	CONN Cord-AMP8P-AMP4PAMP4P	Belt/IDUP Motor-PU	1
6		Bracket-Inner (Caulking) -PX734		1
7	42058303	Solenoid		1
8	43073201	Gear Assy.-HP (PX734)		1
9	43276301	OR-Motor_Pulse_HOP		1
10	43093301	CONN Cord-AMP4P-AMP4P	HOP Motor-PU	1
11		Link-LiftUp-R		1
12		Cover-PlateR-Assy.-PX734		1
13		Cover-Plate-R		1
14	43074401	Spring-Contact-TL		13
15		TW-VF/SMCD11-150-1.0	PRZ-PU	1
16	43131601	OR-PRZ	Board-PRZ Toner Sensor	1
17		Spring-Solenoid		1
18	43071101	Gear-LiftUp-Z83Z25		1
19	43071601	Gear-IdleLiftup-Z28		1
20	43071701	Gear-LiftupR- Z 32		1
21	43071901	Gear-LiftUpLinkR-Z56		1
22	43070701	Gear-Idle-DrumZ24-102		4
23	43071201	Gear-LiftUp-Z121Z34		1
24	43074501	Stopper-GearID		3
25	43070801	Gear-Idle-Z44		3
26	43074601	Gear-Idle-Heat_Z14-32		1
27		Plate-Bracket-Outer58M		1
28	43072001	Motor-DC-ID-58M		1

Plate Assy Side R

No.	Part No.	Part Name	Remarks	Q'ty /Unit
29	43138101	CONN Cord-AMP10P-AMP10P	ID Motor-PU	1
30	43070601	Motor-DC-FU-45M		1
31	43138301	CONN Cord-AMP9P-AMP9P	Fuser Motor-PU	1
32		Cup Screw (S Tight M3)		26
33		TappingScrew-B2 L=8		2
34		Screw-PSW3		1

Plate Assy Side L

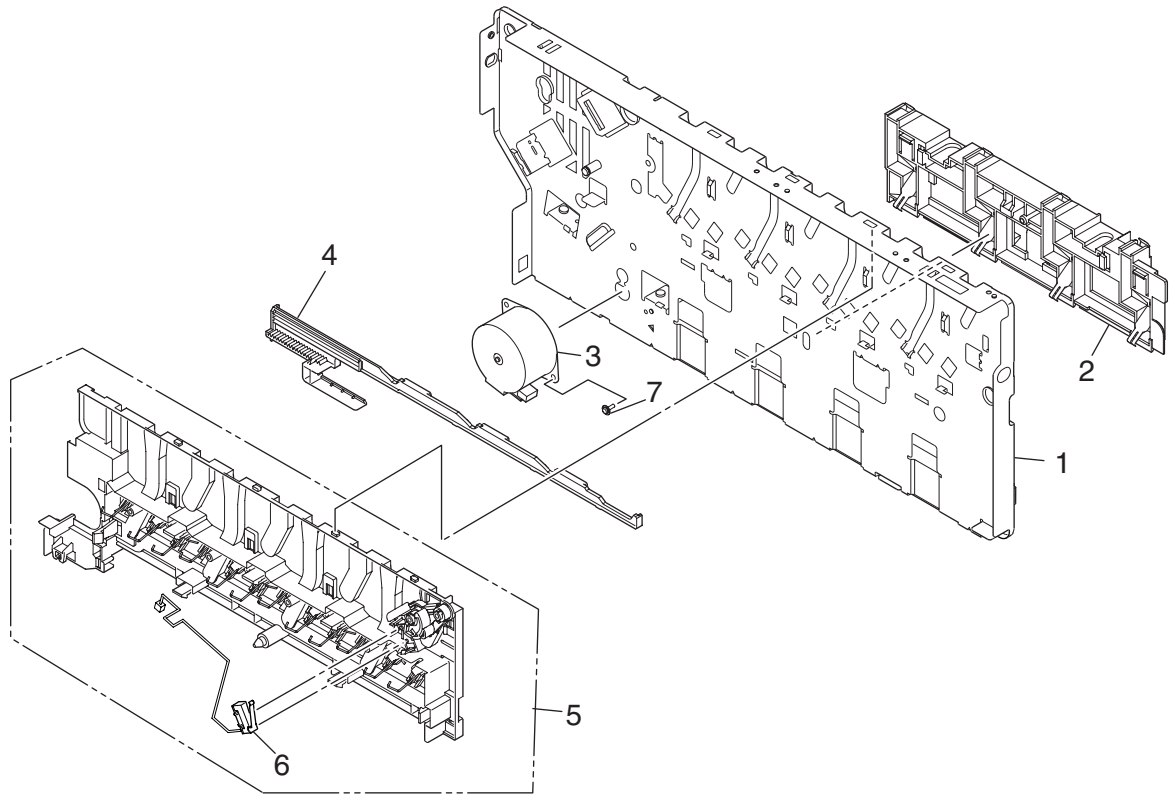
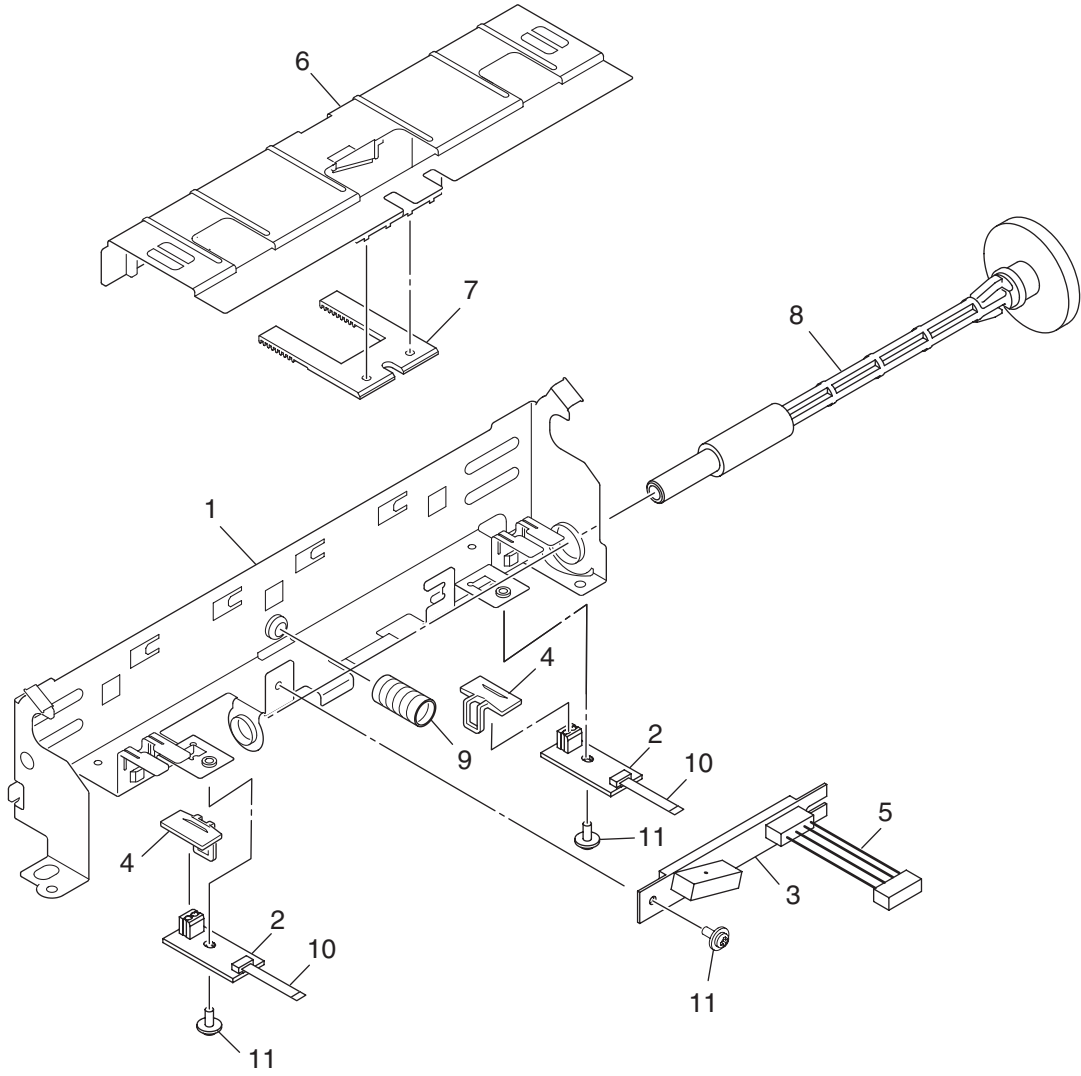


Plate Assy Side L

No.	Part No.	Part Name	Remarks	Q'ty /Unit
1		Plate-Side-L (Caulking)		1
2	42060402	Contact-Assy		1
3	43276401	Motor_Pulse_Belt		1
4		Link-Liftup-L		1
5		Guide Assy-Side-L		1
6	42611101	Micro switch-Assy		1
7	42920406	Cup Screw (S Tight M3)		1

Sensor Assy Reg



Sensor Assy Color Reg

No.	Part No.	Part Name	Remarks	Q'ty /Unit
1		Plate-Sensor-C.Resist		1
2	42613701	Board-PRC	Color Regist	2
3		OR SENSOR-Density -	Density	1
4		Plate-Guard-Sensor		2
5	42610601	CONN Cord-MOLEX5-MOLEX5	Density-PRY	1
6	42065302	Cover-C.Resist(Adhesive)		1
7	42065701	Gear-Cover-Sensor(Rack)		1
8	42065801	Shaft-Cover-Sensor		1
9	43412901	Spring-Cover-Sensor		1
10		TW-VF/SMCD4-50-1.0 CONN PAR-	PRC-PRY	2
11		Cup Screw (S Tight M3)		3

Plate Assy Base

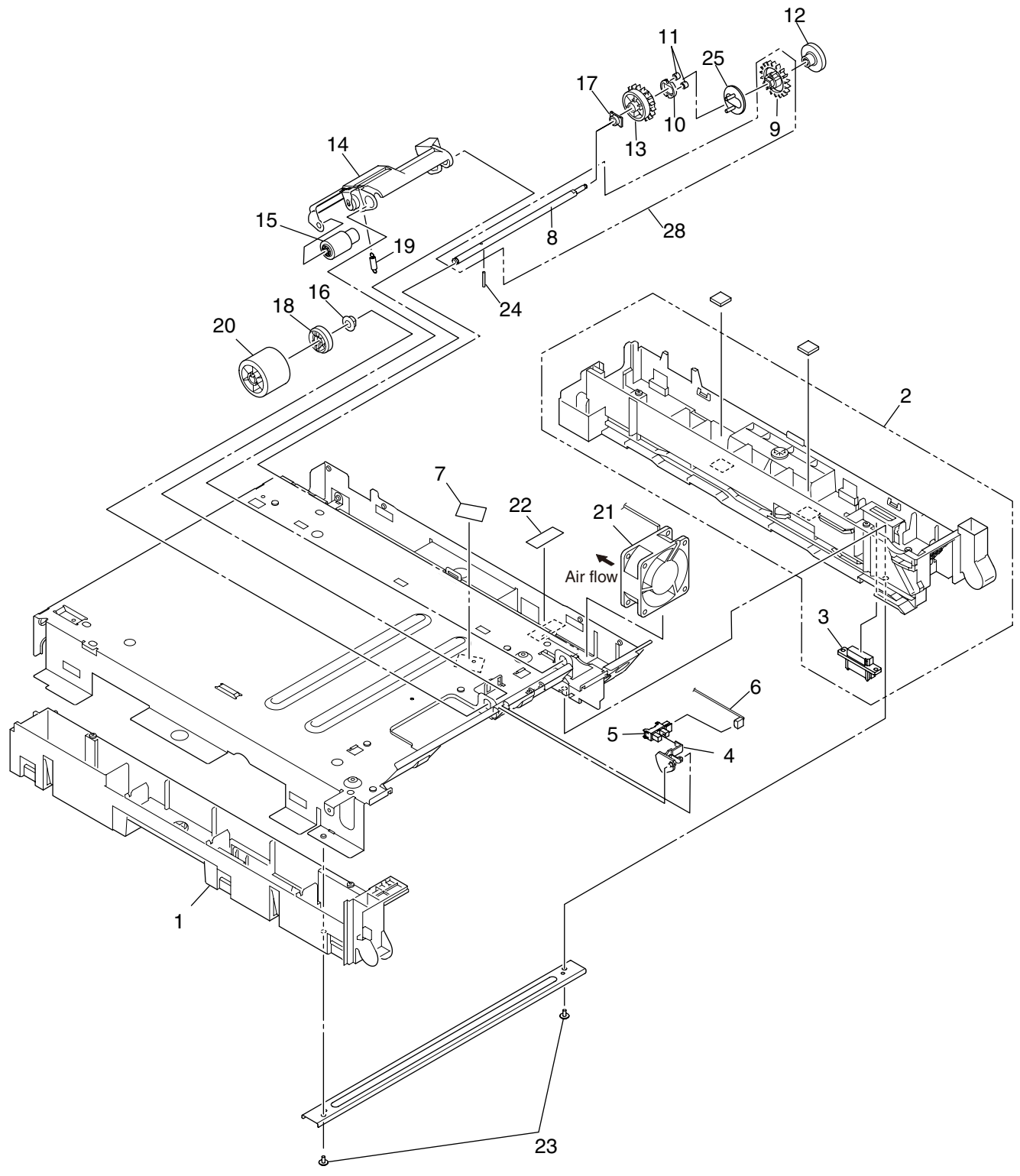
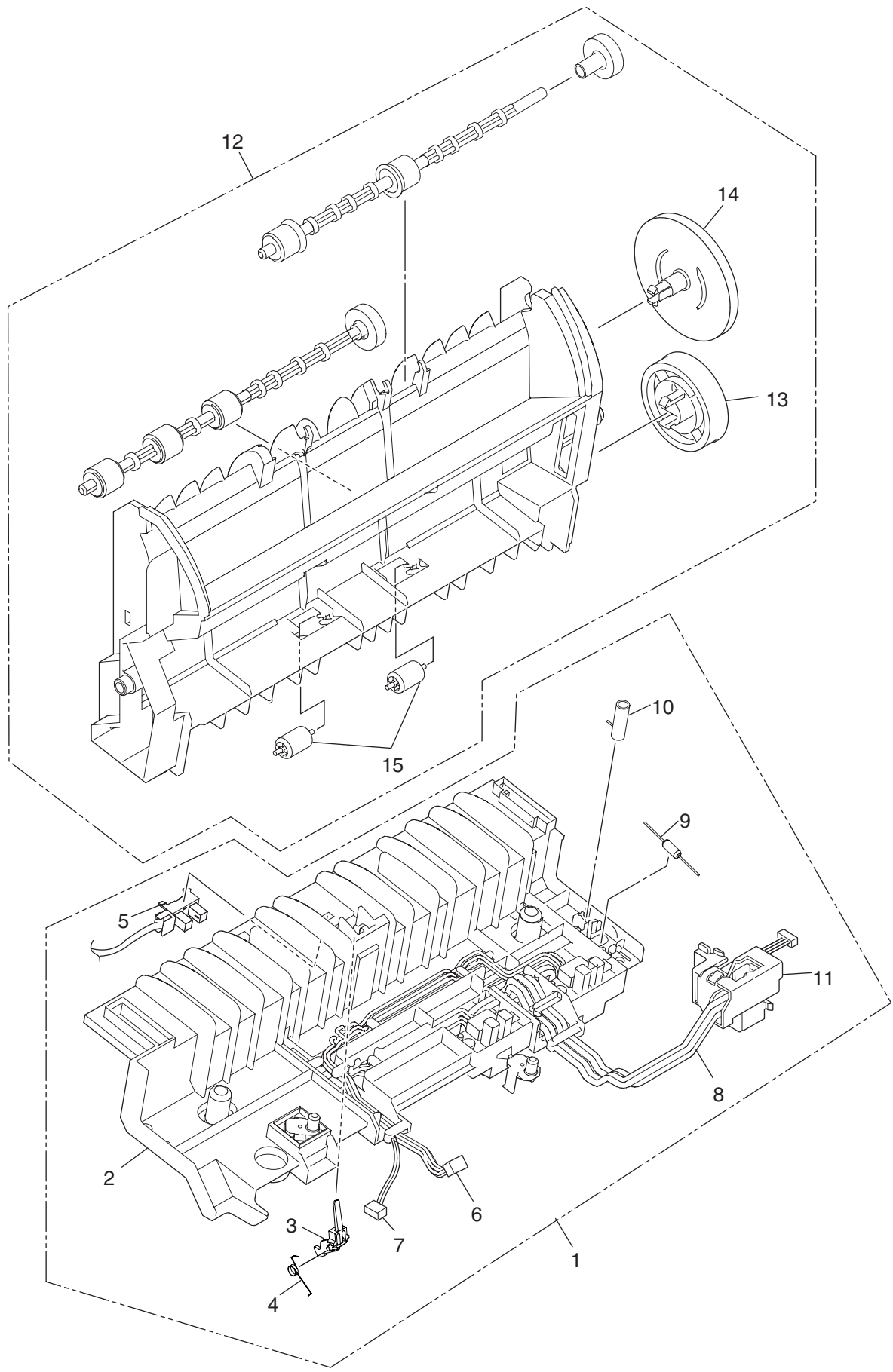


Plate Base Assy

No.	Part No.	Part Name	Remarks	Q'ty /Unit
1	42049703	Guide Assy.-Cassette-L		1
2	43294902	Guide Assy.-Cassette-R		1
3		9715B-10Z02 Connector-Plug		1
4	42050401	Lever-End		1
5	40135301	Photo-Interrupter	Paper END	1
6	43093701	CONN Cord-JST3P-AMP3P	PU-Paper END	1
7		Cellophane tape W18	L=30mm	1
8	42050701	Shaft-Hopping		1
9		Stopper-HP		1
10	42050901	Holder-Planet-HP		1
11	42051001	Gear-Planet (Z12)-HP		2
12	42051101	Gear-Z24-50-HP		1
13	42051201	Stopper-Z45-48-HP		1
14		Bracket-Assy.-Sub		1
15	43334801	Roller Assy.-Sub		1
16	43526601	Bush		1
17		BEARING A		1
18	42052301	Gear-Hopping(Z38)-HP		1
19		Spring-Sub		1
20	43334901	Roller Assy.-Hopping		1
21	43191301	Motor-Fan(60)PowL		1
22		Tape AL Film	L=35mm	1
23		Cup Screw (S Tight M3)		2
24		Pin		1
25		Plate-Gear-HP-Caulking		1

Eject Assy



Eject Assy

No.	Part No.	Part Name	Remarks	Q'ty /Unit
1	43076302	Guide Assy.-Eject-L		1
2		Guide-Eject-Lower		1
3	43101801	Lever-Exit-Sensor		1
4	40386501	Spring-SNS(F/R)		1
5	40135301	Photo-Interrupter		1
6	42610902	CONN Cord-AMP3P-AMP3P	Exit-PRY	1
7	43140301	CONN Cord-AMP8P-AMP4PAMP4P	Fuser-TH	1
8	43155001	CONN Cord-AMP2PAMP2P-JST4P	Heater-AC	1
9	42796901	OR-RES-High-Voltage		1
10		Spring-FG		1
11		Guide-Cable-R-734		1
12	43560405	Guide Assy.-Eject-U		1
13	42064702	Gear-Idle-Exit(Z41)		1
14	42064501	Gear-Idle-Exit(Z58)		1
15	42278301	Roller-Sub-G.E.U.		2