

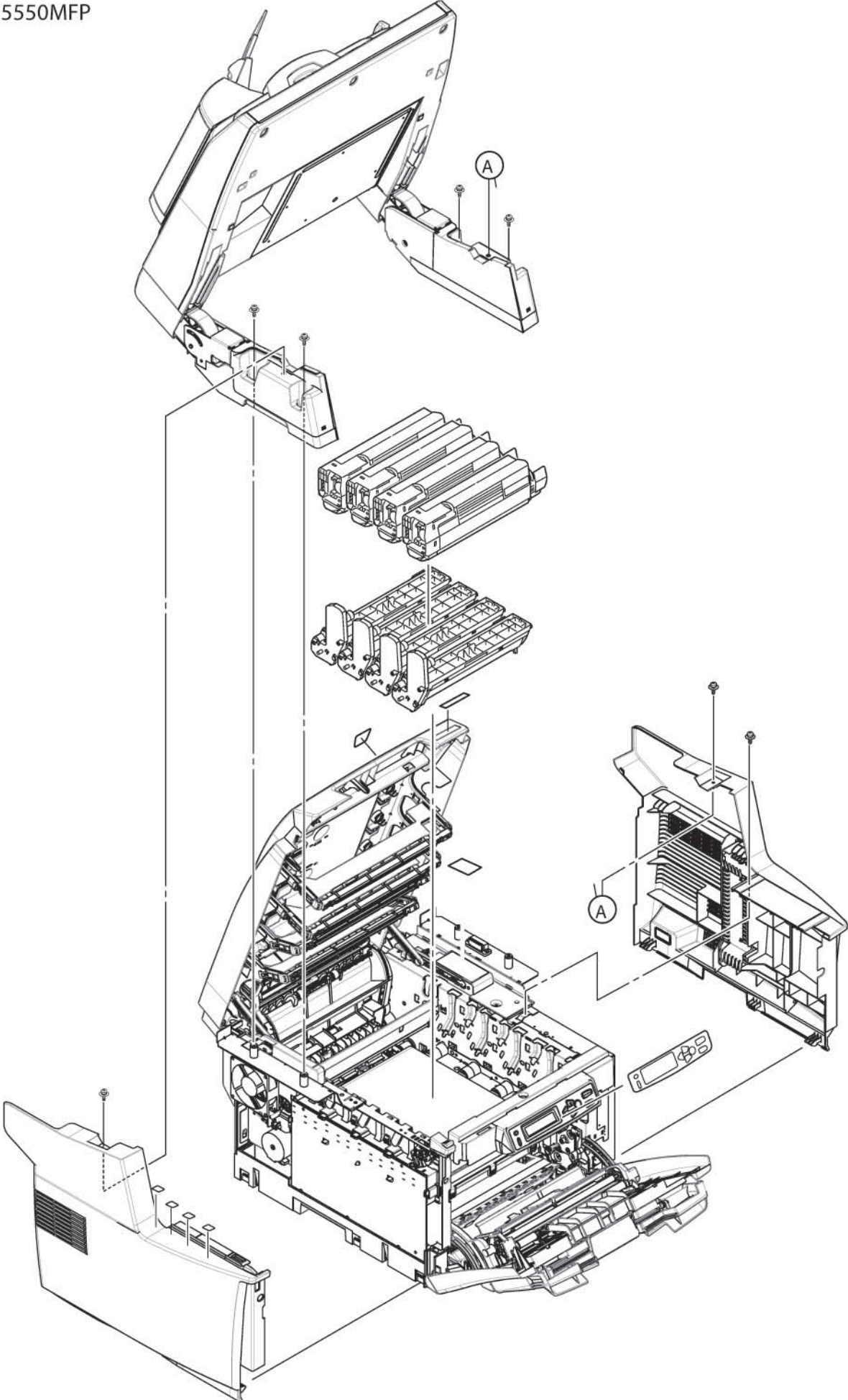
C5550MFP

Spare Parts

Illustration Manual

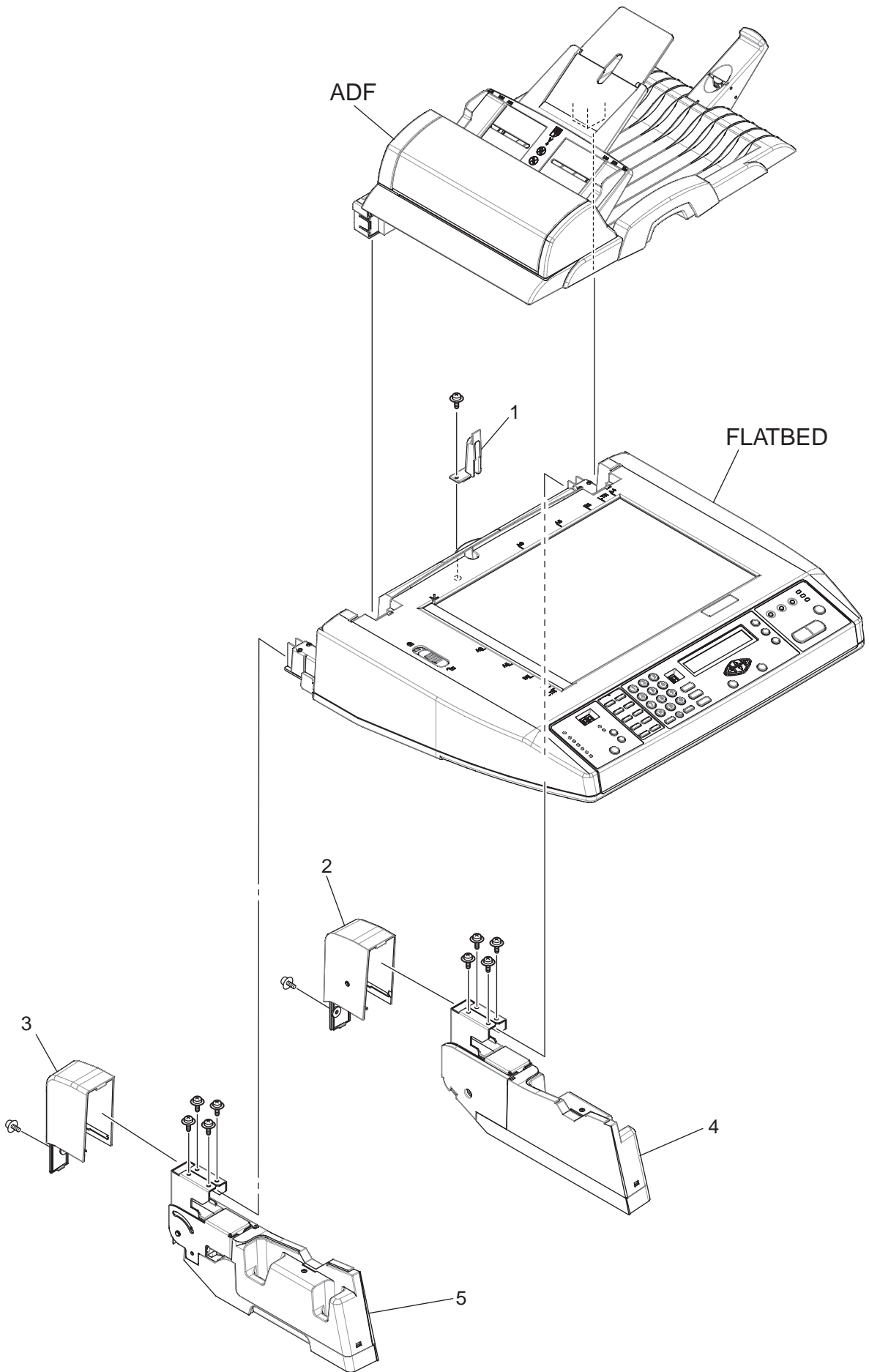
081102B

C 5550MFP



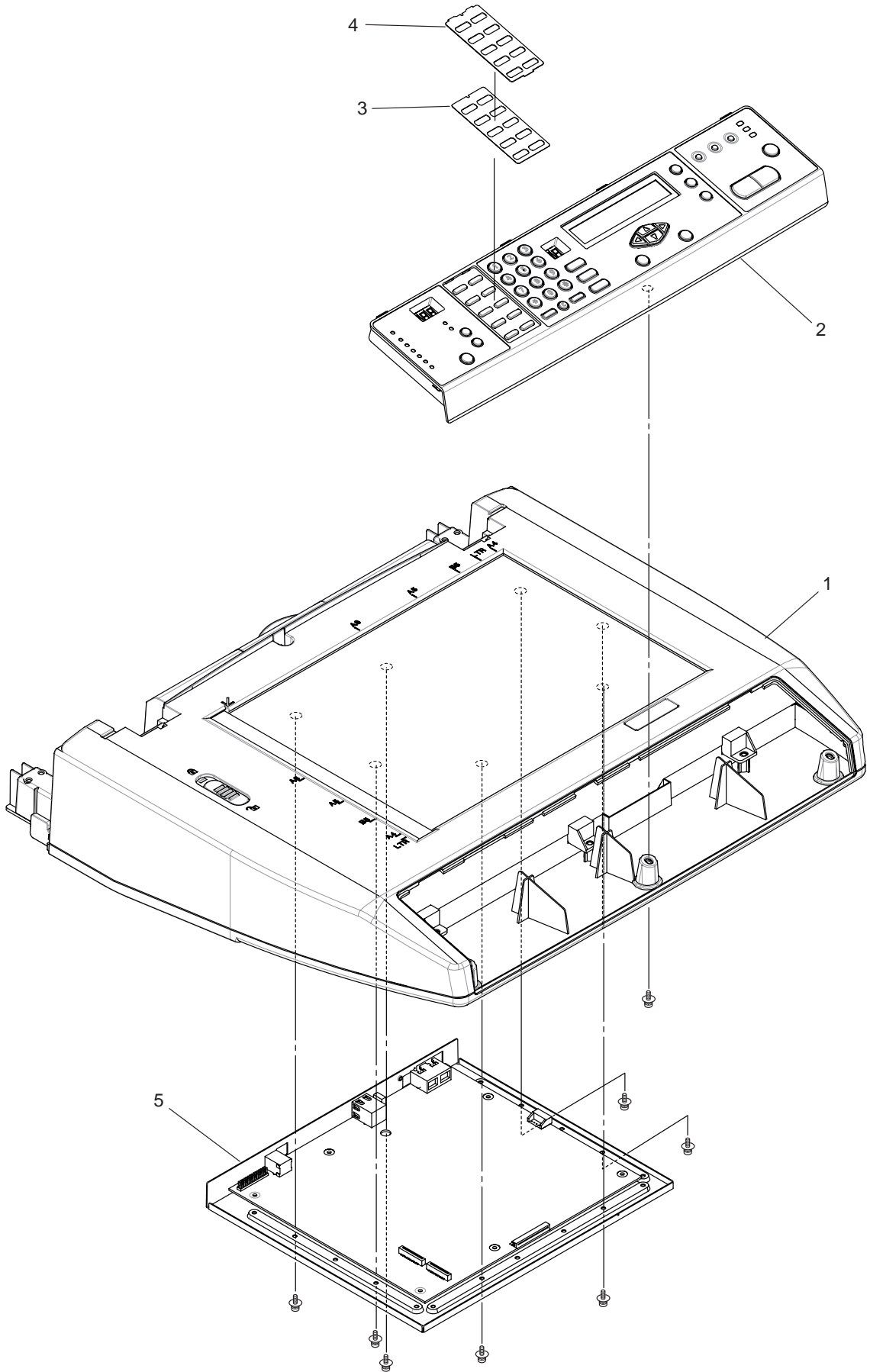
No.	Part No.	Part Name	Remarks
1		C5550MFP Scanner	
2		Printer	
3		Cover-Side(L)	
4		Cover-Assy.-SideR-735	
5		Toner-Cartridge Type C8 C	
6		Toner-Cartridge Type C8 M	
7		Toner-Cartridge Type C8 Y	
8		Toner-Cartridge Type C8 K	
9		ID unit-Type C8 C	
10		ID unit-Type C8 M	
11		ID unit-Type C8 Y	
12		ID unit-Type C8 K	
13		Plate-Name	
14		Plate-Logo	
15		Sheet-OP-Panel (C)	
16		Label-FuserJAM	
17		Label-Color K	
18		Label-Color Y	
19		Label-Color M	
20		Label-Color C	
21		Cup _Screw A	

Scanner



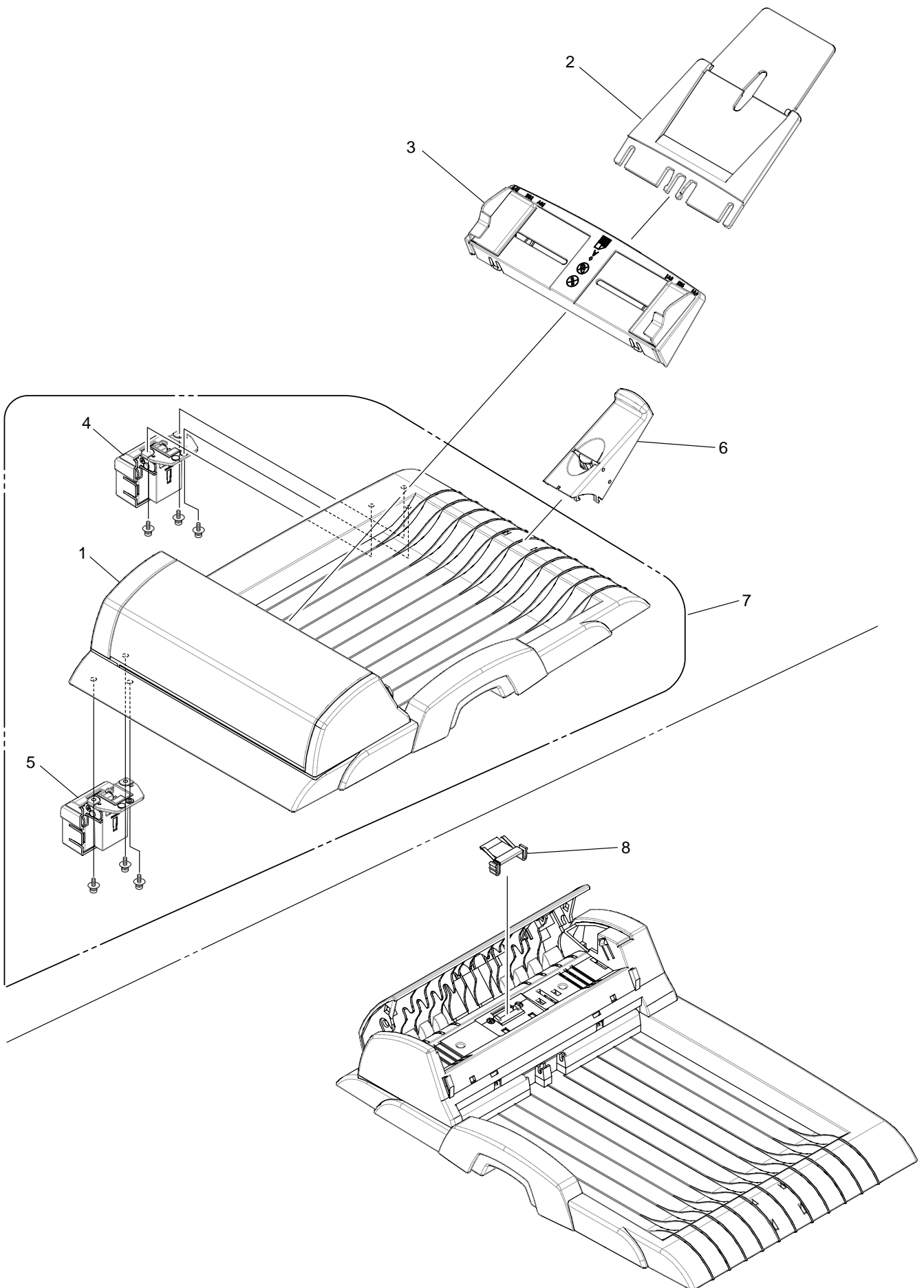
No.	Part No.	Part Name	Remarks
1	43731901	Cover-ADF-Wire_735Scanner	(051-3365-0-SP)
2		Hinge-Cover-Upper-R_735Scanner	(051-3121-0-SP)
3		Hinge-Cover-Upper-L_735Scanner	(051-3120-0-SP)
4	43732301	ASS'Y,STAND -R_735Scanner	(002-3480-0-SP)
5	43732401	ASS'Y,STAND -L_735Scanner	(002-3479-0-SP)

FLATBED Unit



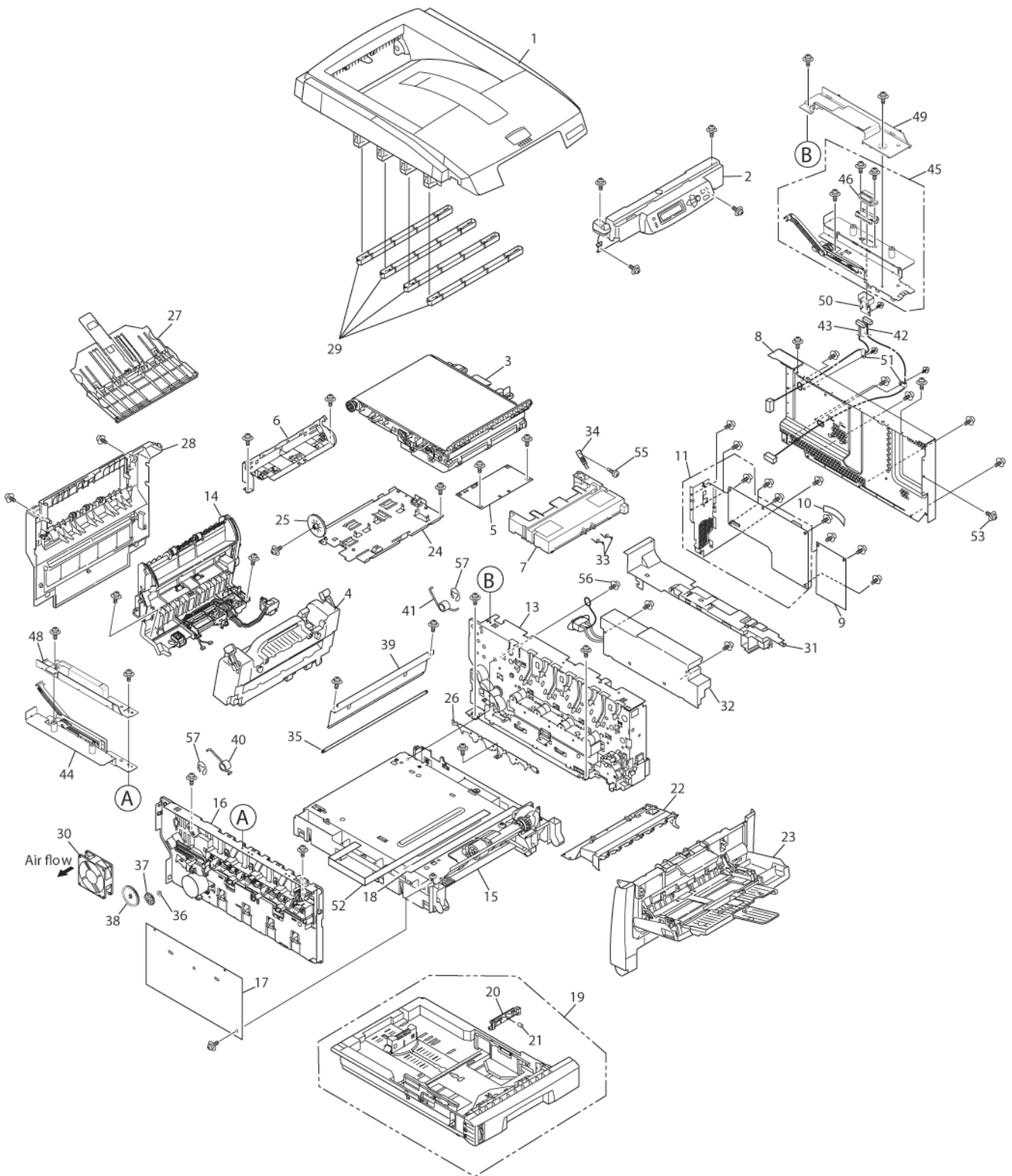
No.	Part No.	Part Name	Remarks
1	43733301	ASS'Y,FLATBED UNIT_735Scanner	(003-6096-0-SP)
2	43733401	ASS'Y,CONTROL PANEL - ODA_735Scanner	(003-6097-0-SP)
2		ASS'Y,CONTROL PANEL - OEL_735Scanner	
3	43733501	Sheet-one-touch_735Scanner	(066-0677-0-SP)
4	43733701	Cover-one-touch-sheet_735Scanner	(066-0678-0-SP)
5	43733801	ASS'Y,MAIN BOARD-ODA_735Scan	(003-6098-0-SP)
5		ASS'Y,MAIN BOARD-SKU1(OEL_EU)_735Scan	
5		ASS'Y,MAIN BOARD-AOS_735Scan	
5		ASS'Y,MAIN BOARD-SKU2(OEL_NonEU)_735Scan	

ADF Unit



No.	Part No.	Part Name	Remarks
1	43732501	ADF-DOCUMENT(without Hinge)_735Scanner	(003-6095-0-SP)
2	43732601	ASS'Y,PAPER SUPPORT_735Scanner	
3	43732701	ASS'Y,PAPER TRAY_735Scanner	(002-3584-0-SP)
4	43732801	ASS'Y,HINGE,LIGHT(Right)_735Scanner	(002-3576-0-SP)
5	43732901	ASS'Y,HINGE,HEAVY(Left)_735Scanner	(002-3574-0-SP)
6	43733901	ASS'Y,STOPPER_735Scanner	(002-3583-0-SP)
7		ASS'Y,ADF DOCUMENT(with Hinge)_735Scanner	(002-3581-0-SP)
8	43734001	ASS'Y,PAD_735Scanner	

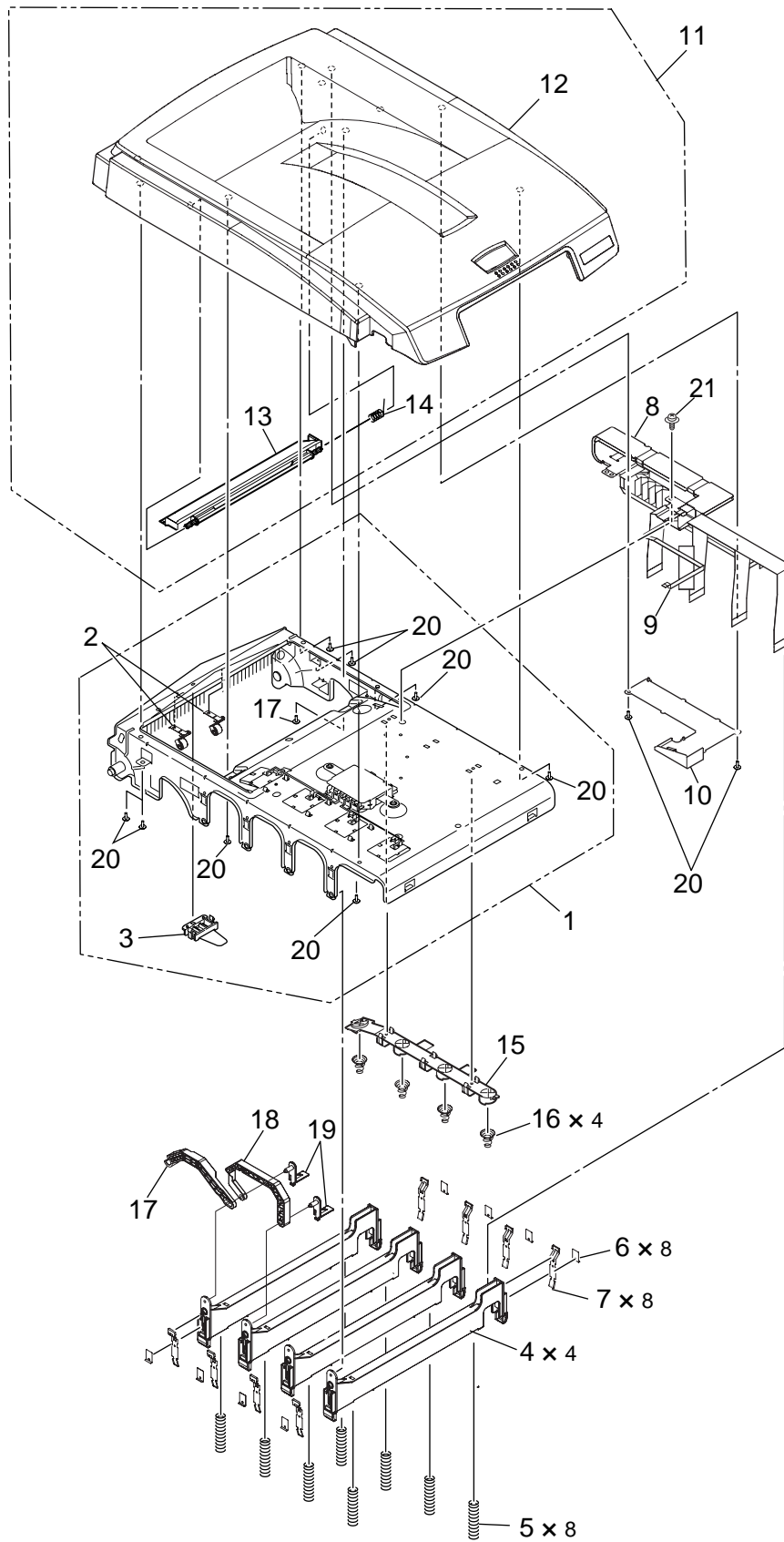
Parts Layout



No.	Part No.	Part Name	Remarks
1		Cover Assy.-Top (C) 735MFP	
2	43296404DA	Frame Assy.-OP(C)	ODA
2		Frame Assy.-OP(C)	OEL
3	43363401	PX734/5 Belt-Unit(ODA)	ODA Pack in box
3		PX734/5 Belt-Unit(OEL)	OEL Pack in box
4	43363201	PX734/5 Fuser-Unit (ODA 120V)	ODA(120V) Pack in box
4	43363202	PX734/5 Fuser-Unit (ODA 230V)	ODA(230V) Pack in box
4		PX734/5 Fuser-Unit (OEL 230V)	OEL Pack in box
5	43131301	OR-PRY	Board-PRY
6		Sensor-Assy-Color-Regist	
7		Cover-Driver	
8		Plate Assy.-Shield(PCL)	
9	43573901	OR-PRX	Board-PU
10		TW-VF/SMCD12-40-1.0	PU-CU
11	43614801	PX735MFP CU PCB-Assy Maintenance	ODA
12		PX735MFP CU PCB-Assy Maintenance	OEL
12		PX735MFP CU PCB-Assy Maintenance	AOS
13		Plate-Assy.-Side R(PX734)	
14	43076203T1	Eject Assy.-PX734	
15		Plate-Assy.-Base	
16		Plate-Assy.-SideL(PX-734)	
17	43031601	Power unit	High Voltage
18	43393801S1	CONN-High Voltage(Bend)	
19	43070402T1	Cassette-Assy.	
20	42088801T1	Frame-Separation-Assy.	
21	42089001	Spring-Separation	
22		Cover Assy-Hopping	
23	43077405	Feeder-Unit-PX735MFP	
24		Plate-Driver(PU)(Caulking)	
25		Gear-Idle-Belt-Z20Z93	
26		Plate-Lockout-ID	
27	43078702T1	Cover Assy.-FaceUP	
28		Cover-Sub Assy.-Rear	
29	43295201S1	LED HEAD Unit 51STA	
30	43289101	OR-Motor FAN (80)	FUSER
31		Guide-Cable-(Pow- low)	
32	42997802	PWR unit-ACDC Switch	Power Unit (LOW Voltage)100V
32	43455902	PWR unit-ACDC Switch	Power Unit (LOW Voltage)200V

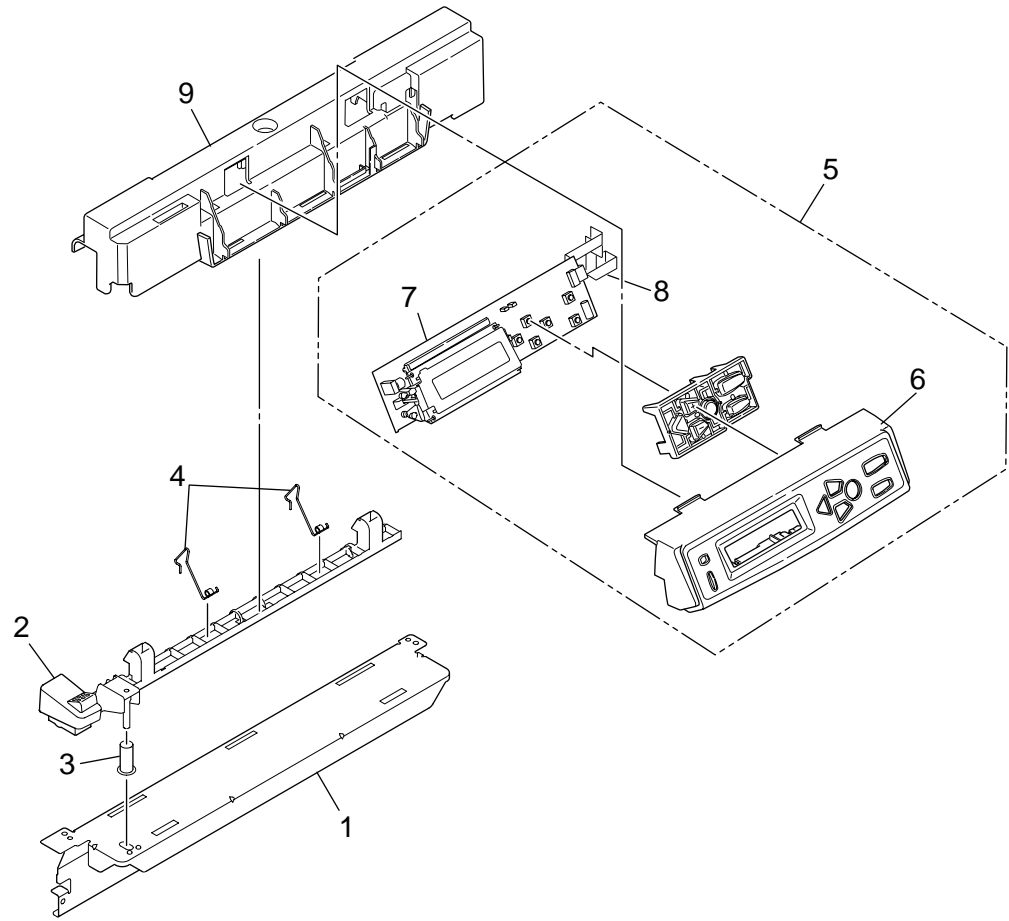
No.	Part No.	Part Name	Remarks
33		Spring-BeltFuse	
34		Thermistor-Belt	
35		Shaft-Liftup-PX734	
36	42060701	Bush	
37	43075201	Gear-LiftupL-Z32	
38	43075501	Gear-LiftupLinkL-Z56	
39		Plate-Heat	
40		Spring Torsion (L)	
41		Spring Torsion (R)	
42	43544301	CONN Cord-Wire POW	
43	43544302	CONN Cord-Wire USB	
44		Stay-Guide-L-Assy(735MFP)	
45		Stay-Guide-R-Assy(735MFP)	
46		9714N-20Z03-G04C	
48		Cover-Stay(L)	
49		Cover-Stay(R)	
50		Plate-Shield-Drawer	
51		Clamp-Cable	
52		CONN-Cord-FlexyDP(Bend)	PU-PRY
53		Cup Screw (S Tight M3)	
54		Cup _Screw A	
55		TappingScrew-B2 L=10	
56		Screw(SW+2W)	
57		Ring	

Top Cover Assy



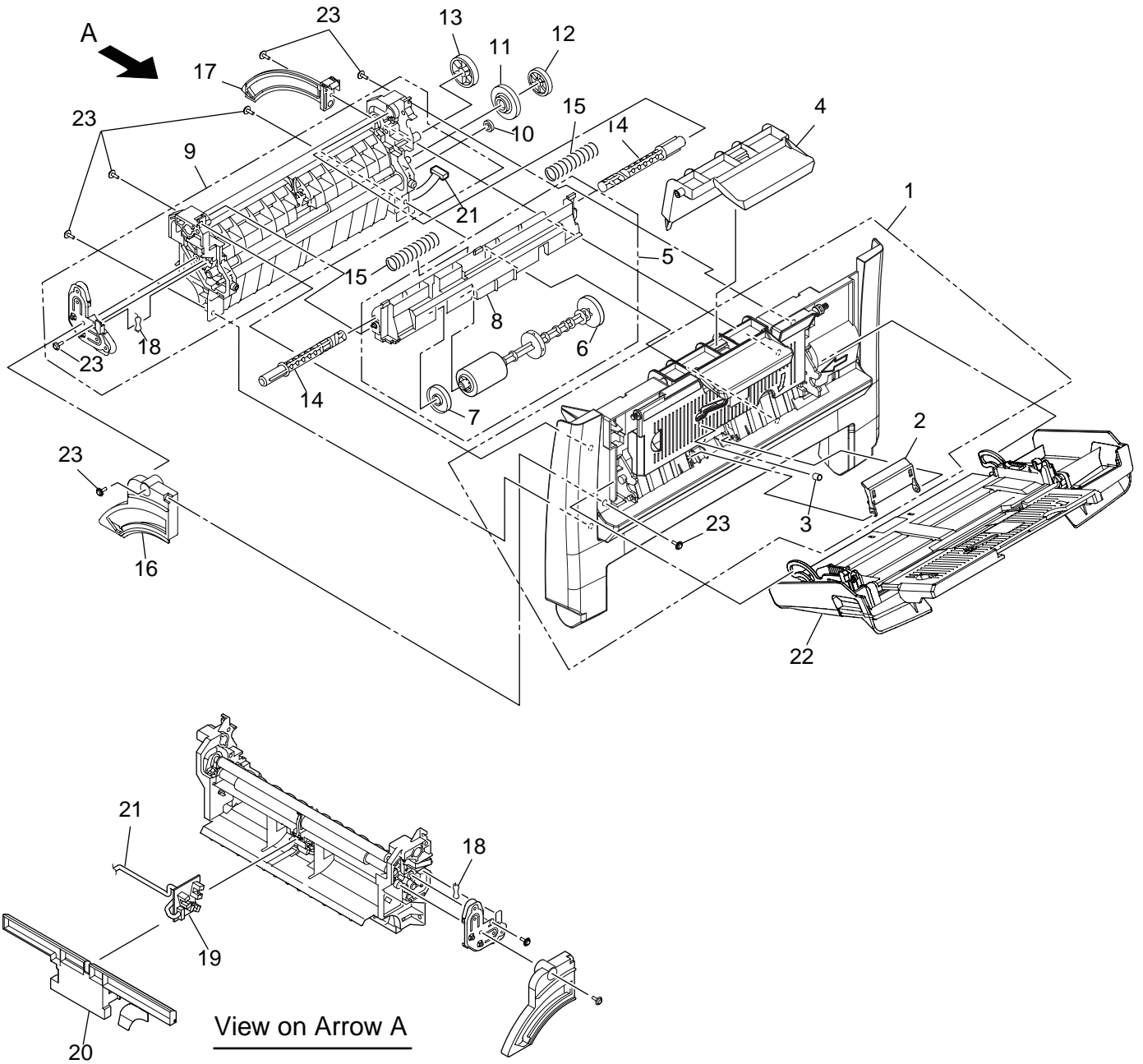
No.	Part No.	Part Name	Remarks
1		Plate Assy.-Inner_PX734	
2	43296001	Roller Assy.-Idle(FD)	
3		Guide Assy.-Paper	
4	43265201	Holder-Head	
5	43213201	Spring-Head	
6		Plate- Stopper	
7		Plate-FG-Head	
8		Cable-Assy.-Head	
9	43297001	Cable-RFID(Bend)	
10		Cover-Cable	
11		Cover-Ass.-Top(Sub)-C	
12		Cover-Top(C)	
13	42115704	Cover-Top(Sub)	
14	42293101	Spring-Torsion(Sub)	
15		Holder-SP(Inner)	
16		Spring-Compression(ID)	
17		Link-A	
18		Link-B	
19		Holder-Post	
20		Tapping Screw-B2 L=8	
21		Cup_Screw (S Tight M3)	

Control Panel Assy



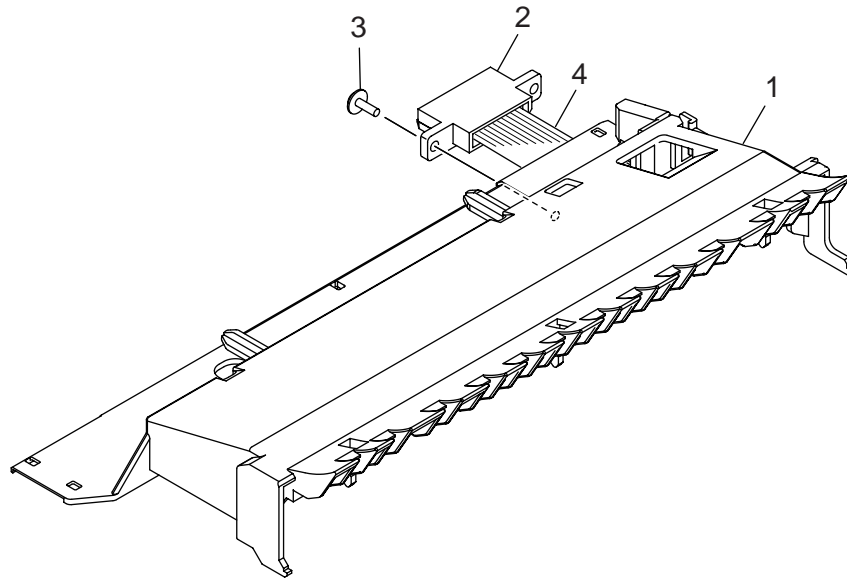
No.	Parts No.	Name	Remarks
1		Plate-Front	
2		Lever-Lock (Top)	
3		Spring-Compression (Lock)	
4		Spring-Torsion (FG)	
5	43386601	Cover-Assy. -OP	
6		Cover-OP-Panel	
7	43132501	Board PRP	
8		TW VF/SMCD9-260-1.0	

Feeder Unit



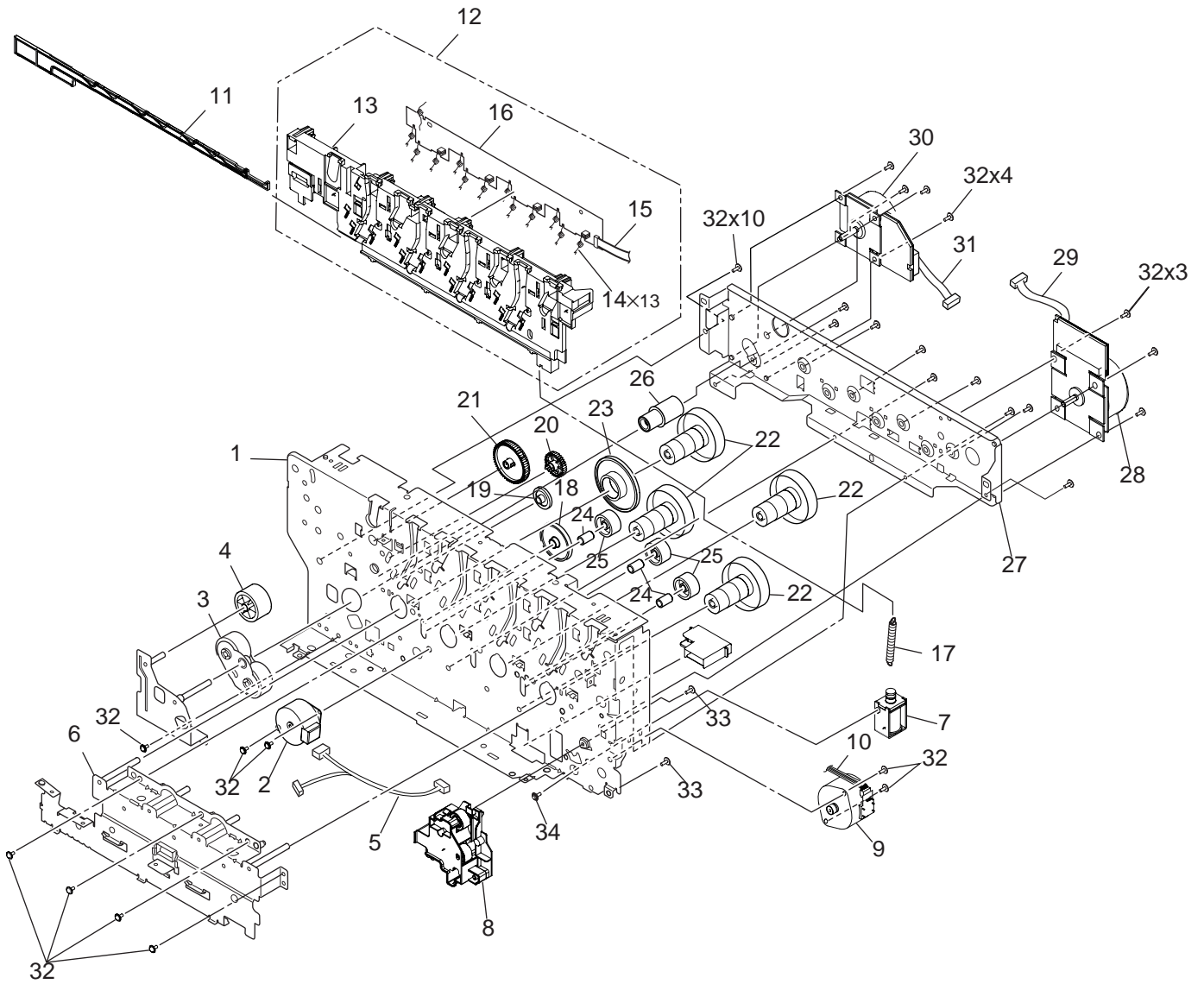
No.	Part No.	Part Name	Remarks
1		Cover Assy.-Front	
2	42069701	Frame Assy.-Separator	
3	42069901	Spring-Separator	
4		Lever-Release-F	
5		Guide-Assy.-Top	
6	43334701	Shaft Assy.-MPT	
7	42299701	Roller-Guide	
8		Guide-Sheet-Top	
9		Feeder-Assy.-Resist	
10		Gear-Puressure	
11		Gear-Regist-L(24-54)	
12		Gear-Z42	
13		Gear-Idle-MPT(26-50)	
14		Post-Slide	
15		Spring-Release-F	
16		Stay-Front-L	
17		Stay-Front-R	
18		OR-RES-High-Voltage-Z	
19	42135802	Board-RSF	Front Sensor
20	42071001	Cover-SNS	
21	43093601	CONN Cord AMP5P-AMP5P	RSF-PU
22	43387101	MPT-Cover Assy.-PX734(C)	
23		Tapping Screw B2 L=8	

Cover Assy Hopping



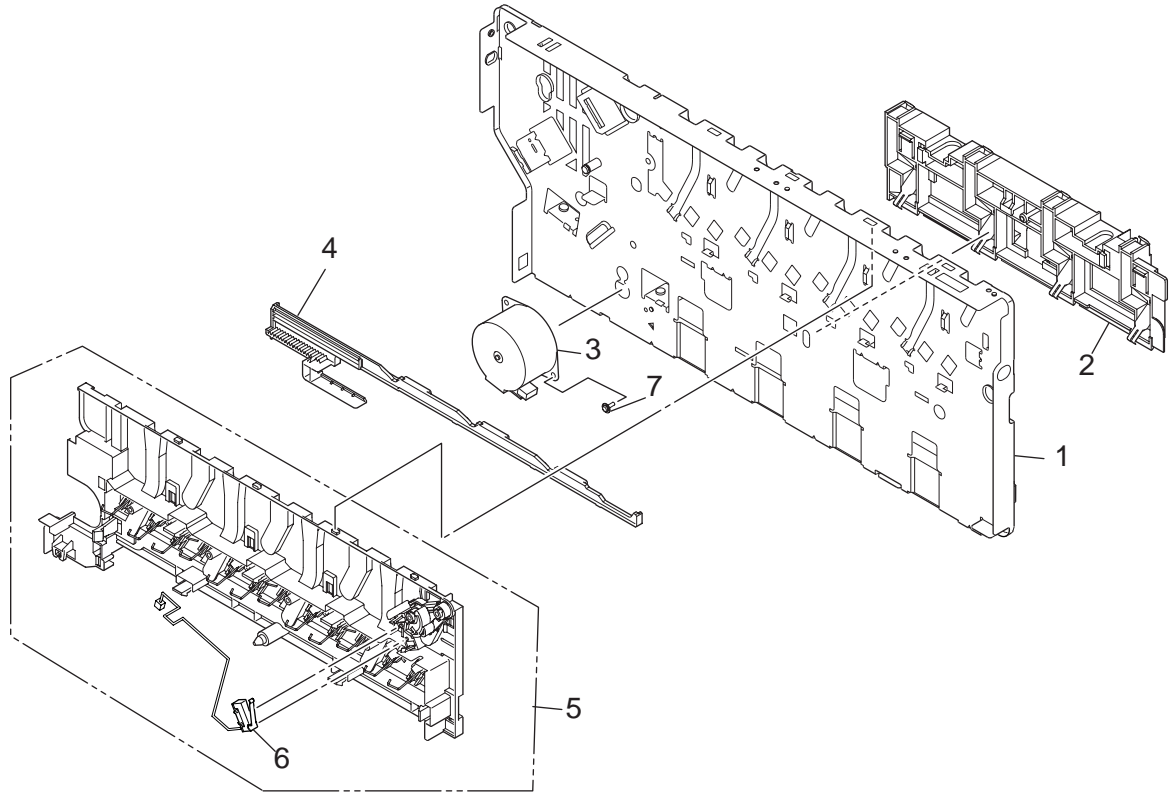
No.	Part No.	Part Name	Remarks
1		Cover-Hopping	
2		9715B-11Z02 Connector-Plug	
3		Tapping Screw B2 L=8	
4	43137901	CONN Cord-JST22P-AMP10PAMP11P	

Plate Assy Side R



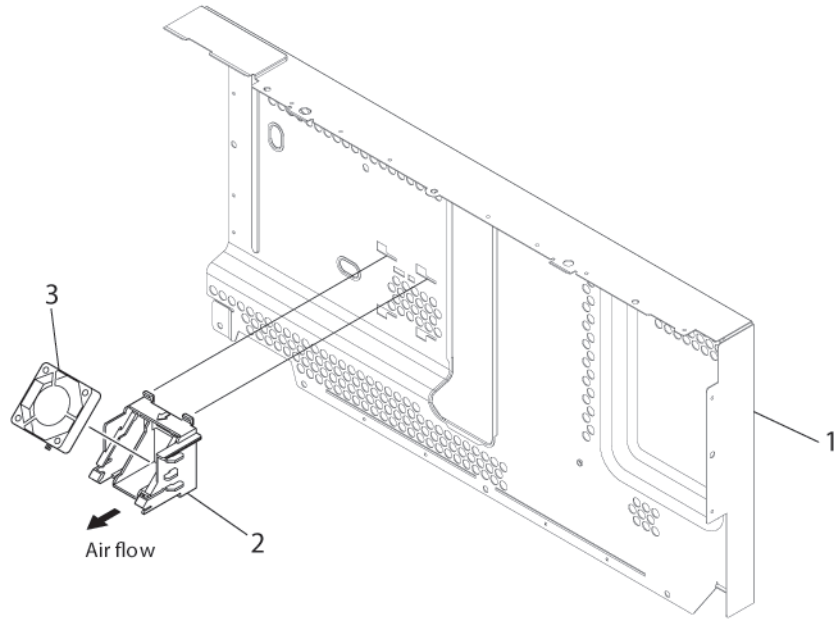
No.	Part No.	Part Name	Remarks
1		Plate-Side-R	
2		OR-Motor_Pulse_Liftup	
3	43072101T1	Gear-Planet-Assy	
4	43085301	Gear-Idle-Exit-Z32	
5	43138001	CONN Cord-AMP8P-AMP4PAMP4P	Belt/IDUP Motor-PU
6		Bracket-Inner (Caulking) -PX734	
7		Solenoid	
8	43073201T1	Gear Assy.-HP (PX734)	
9	43276301	OR-Motor_Pulse_HOP	
10	43093301	CONN Cord-AMP4P-AMP4P	HOP Motor-PU
11		Link-LiftUp-R	
12		Cover-PlateR-Assy.-PX734	
13		Cover-Plate-R	
14	43074401	Spring-Contact-TL	
15		TW-VF/SMCD11-150-1.0	PRZ-PU
16	43131601	OR-PRZ	Board-PRZ Toner Sensor
17		Spring-Solenoid	
18	43071101	Gear-LiftUp-Z83Z25	
19	43071601	Gear-IdleLiftup-Z28	
20	43071701	Gear-LiftupR- Z 32	
21	43071901	Gear-LiftUpLinkR-Z56	
22	43070701	Gear-Idle-DrumZ24-102	
23	43071201	Gear-LiftUp-Z121Z34	
24	43074501	Stopper-GearID	
25	43070801	Gear-Idle-Z44	
26	43074601	Gear-Idle-Heat_Z14-32	
27		Plate-Bracket-Outer58M	
28		Motor-DC-ID-58M	
29	43138101	CONN Cord-AMP10P-AMP10P	ID Motor-PU
30		Motor-DC-FU-45M	
31	43138301	CONN Cord-AMP9P-AMP9P	Fuser Motor-PU
32		Cup Screw (S Tight M3)	
33		TappingScrew-B2 L=8	
34		Screw-PSW3	

Plate Assy Side L



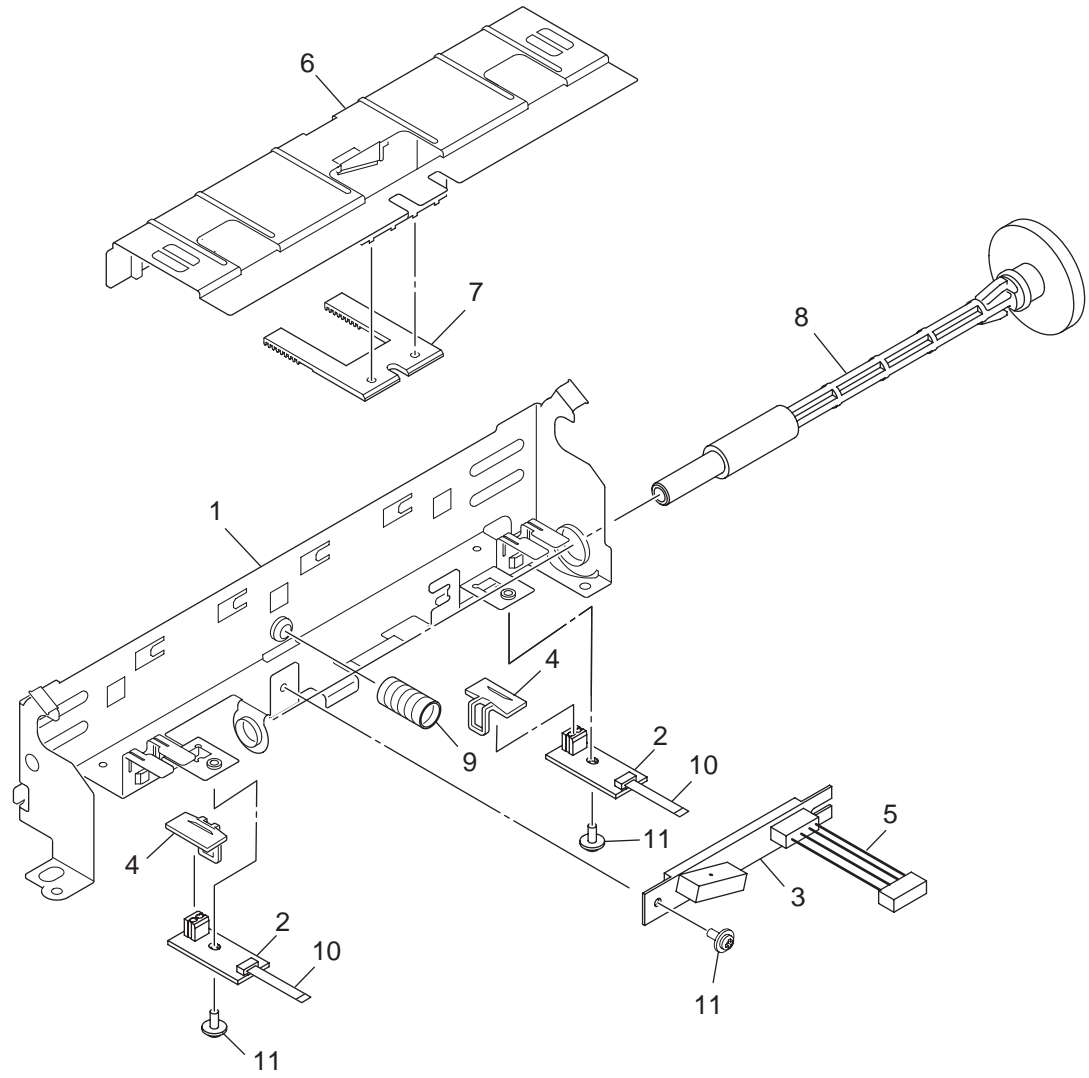
No.	Part No.	Part Name	Remarks
1		Plate-Side-L (Caulking)	
2		Contact-Assy	
3		Motor_Pulse_Belt	
4		Link-Liftup-L	
5		Guide Assy-Side-L	
6	42611101	Micro switch-Assy	
7		Cup Screw (S Tight M3)	

Plate Assy Shield



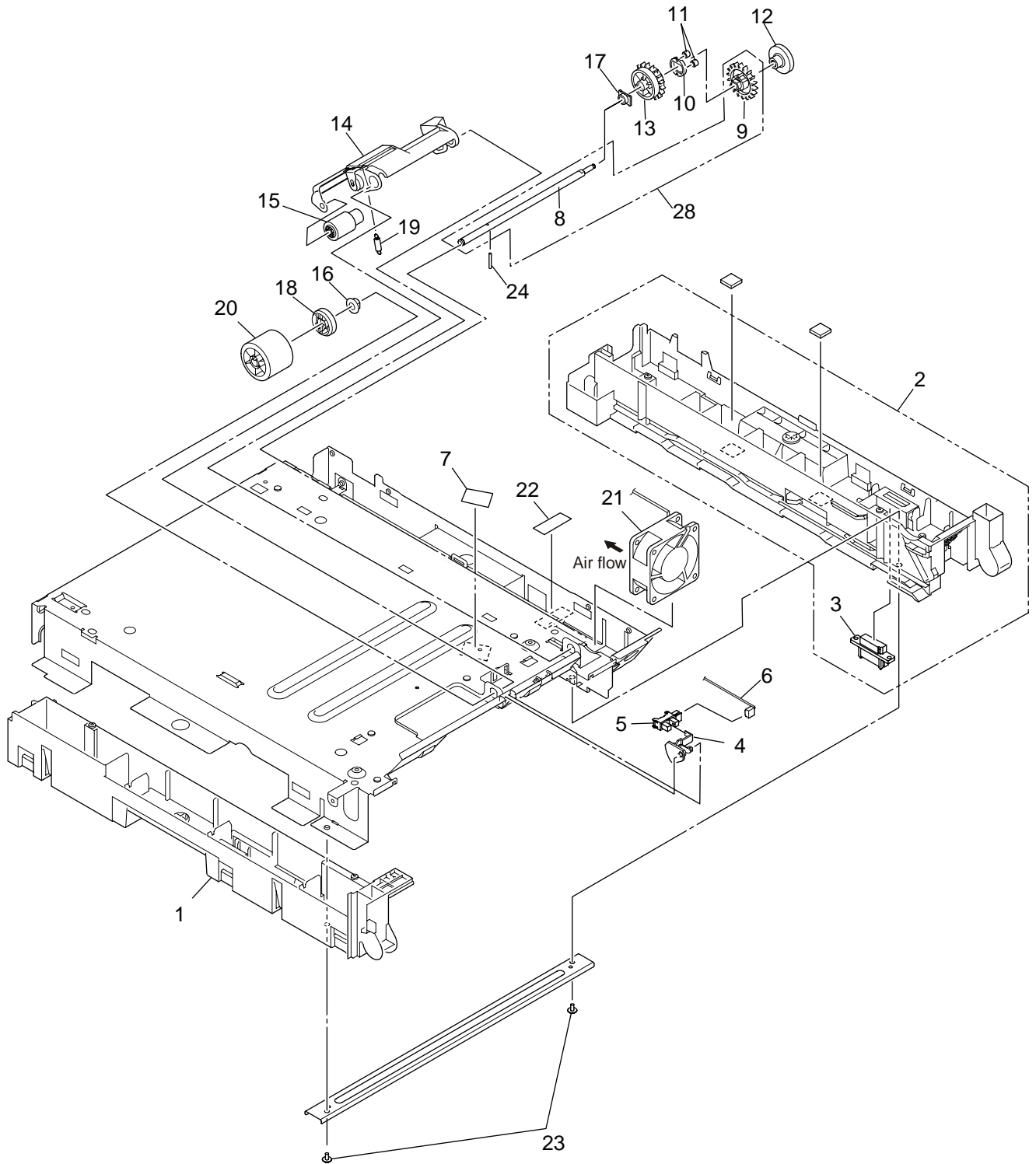
No.	Part No.	Part Name	Remarks
1		Plate-Shield-A	
2		Holder-Fan-CU	
3	42861201	Motor-Fan(CU)	

Sensor Assy Regist



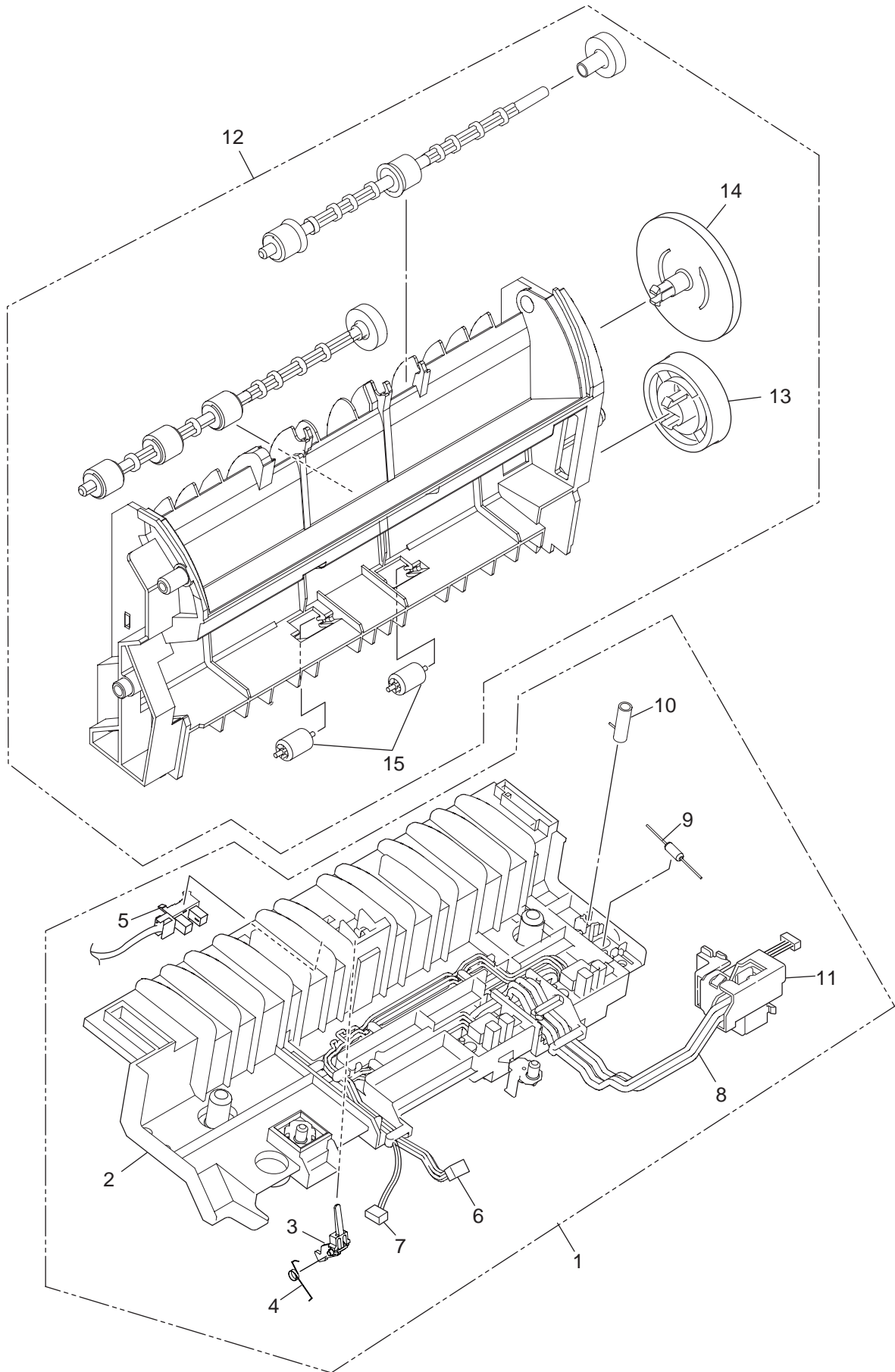
No.	Part No.	Part Name	Remarks
1		Plate-Sensor-C.Resist	
2	42613701T1	Board-PRC	Color Regist
3		GP2TC2 SENSOR-Density -	Density
4		Plate-Guard-Sensor	
5	42610601	CONN Cord-MOLEX5-MOLEX5	Density-PRY
6		Cover-C.Resist(Adhesive)	
7		Gear-Cover-Sensor(Rack)	
8	42065801	Shaft-Cover-Sensor	
9		Spring-Cover-Sensor	
10		TW-VF/SMCD4-50-1.0 CONN PAR-	PRC-PRY
11		Cup Screw (S Tight M3)	

Plate Assy Base



No.	Part No.	Part Name	Remarks
1		Guide Assy.-Cassette-L	
2		Guide Assy.-Cassette-R	
3		9715B-10Z02 Connector-Plug	
4	42050401	Lever-End	
5	40135301	Photo-Interrupter	Paper END
6	43093701	CONN Cord-JST3P-AMP3P	PU-Paper END
7		Cellophane tape W18	L=30mm
8		Shaft-Hopping	
9	42050801	Stopper-HP	
10	42050901	Holder-Planet-HP	
11	42051001	Gear-Planet (Z12)-HP	
12	42051101	Gear-Z24-50-HP	
13	42051201	Stopper-Z45-48-HP	
14		Bracket-Assy.-Sub	
15	43334801T1	Roller Assy.-Sub	
16		Bush	
17		BEARING A	
18	42052301	Gear-Hopping(Z38)-HP	
19		Spring-Sub	
20	43334901T1	Roller Assy.-Hopping	
21	43191301	Motor-Fan(60)PowL	
22		Tape AL Film	L=35mm
23		Cup Screw (S Tight M3)	
24		Pin	

Eject Assy



No.	Part No.	Part Name	Remarks
1	43076301T1	Guide Assy.-Eject-L	
2		Guide-Eject-Lower	
3		Lever-Exit-Sensor	
4	40386501	Spring-SNS(F/R)	
5	40135301	Photo-Interrupter	
6	42610902	CONN Cord-AMP3P-AMP3P	Exit-PRY
7	43140301	CONN Cord-AMP8P-AMP4PAMP4P	Fuser-TH
8	43155001	CONN Cord-AMP2PAMP2P-JST4P	Heater-AC
9		OR-RES-High-Voltage	
10		Spring-FG	
11		Guide-Cable-R-734	
12	43560403T1	Guide Assy.-Eject-U	
13	42064702	Gear-Idle-Exit(Z41)	
14	42064501	Gear-Idle-Exit(Z58)	
15	42278301	Roller-Sub-G.E.U.	