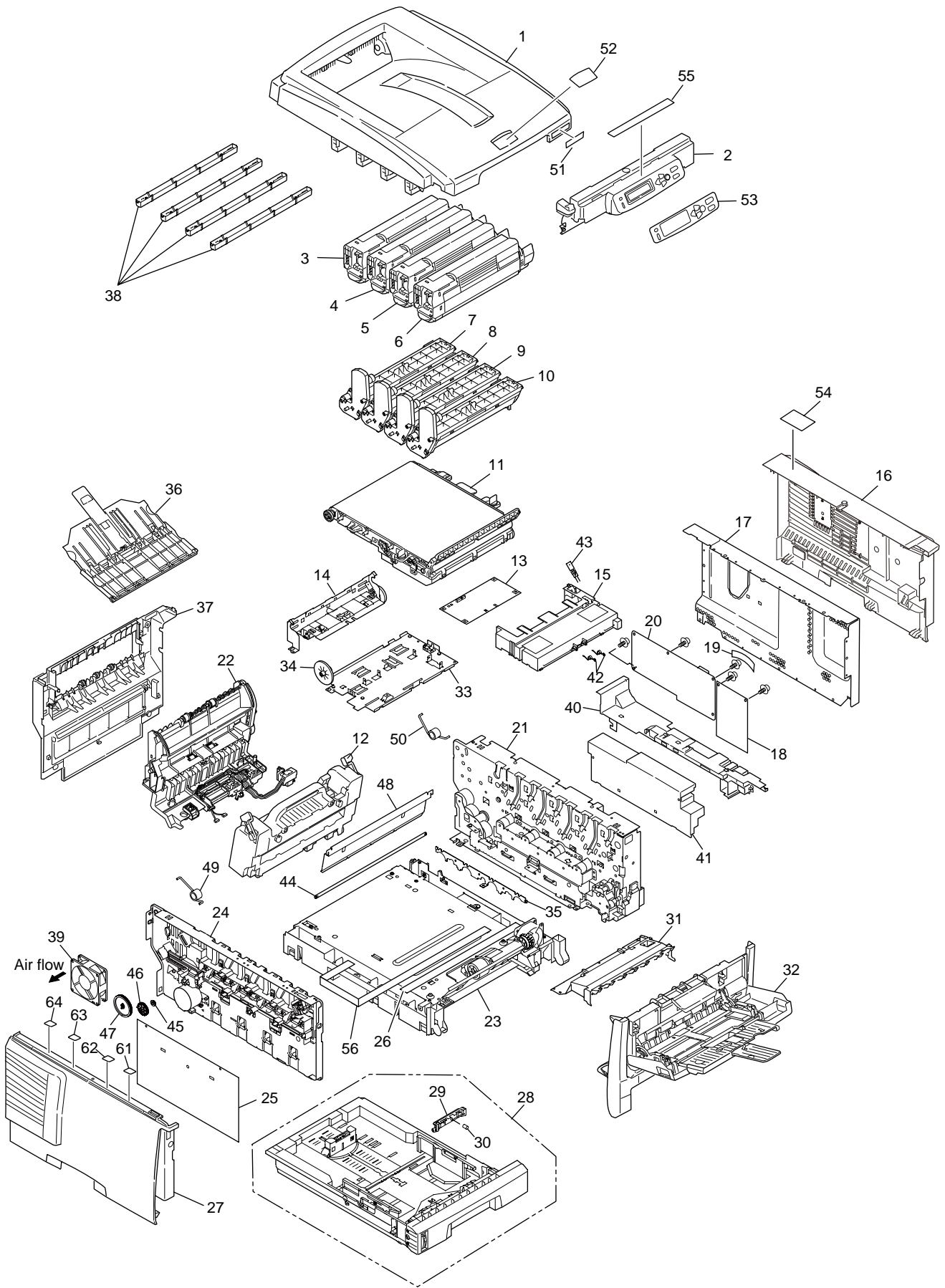


OKI

**C5500/C5800
&
C6000/C6100
Spare Parts
Illustration Manual**

080107B

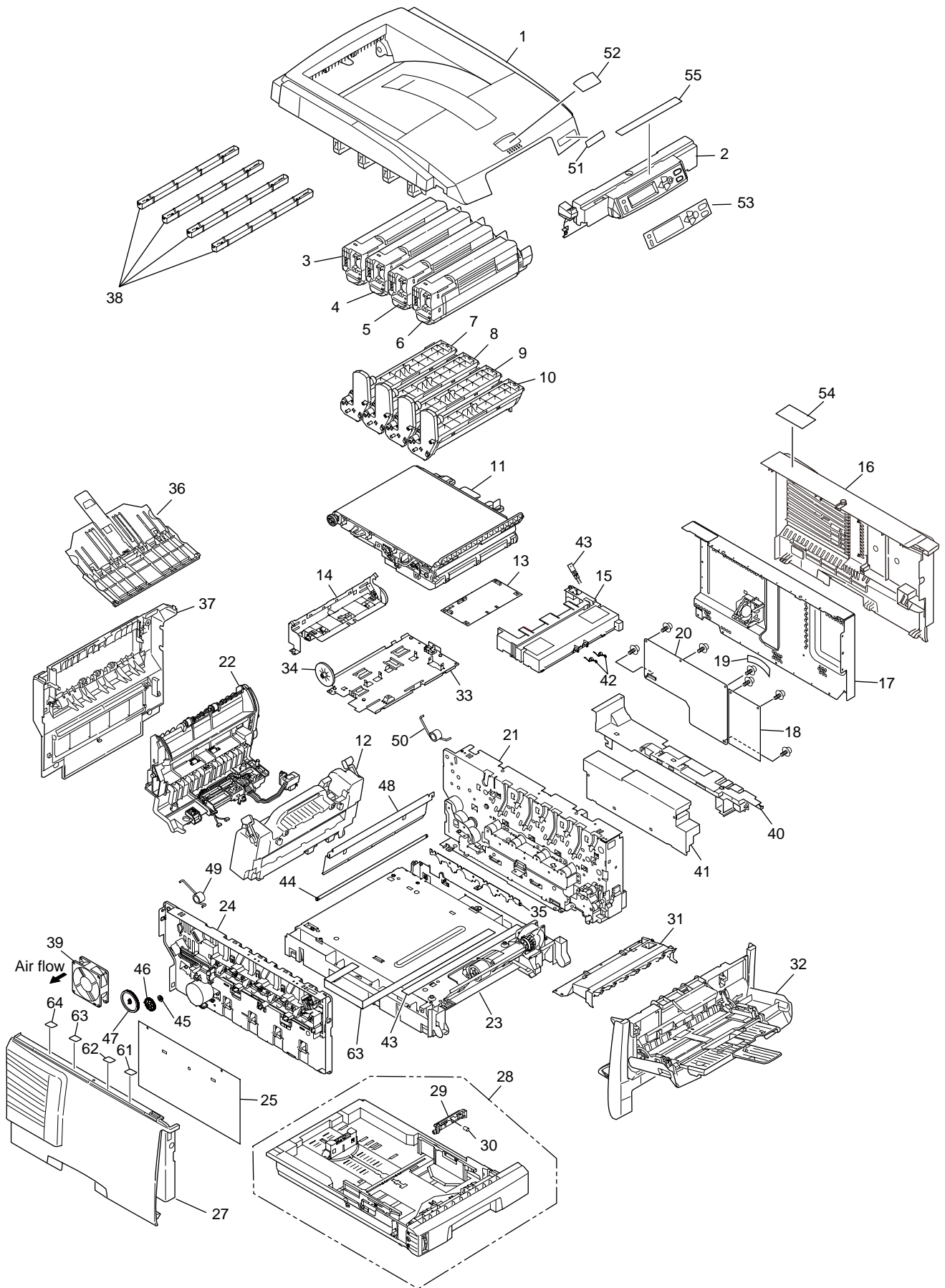
Parts Layout (C5500/C5800)



No.	Parts No.	Name	Remarks
1		Top Cover Assy(B)	C5800Ldn
		Top Cover Assy(B)	C5500n
2		Control Panel Assy (B)	C5800Ldn (Frame-Assy-OP)
		Control Panel Assy (B)	C5500n
13	43131301	Board-PRY	
14	42626501	Sensor-Assy-Color-Regist	
15		Cover-Driver	
16		Cover-Assy-SideR	
17		Plate-Shield-A (GDI)	
18	43131001	Print Engine Controller PWB PRX	Board-PU
19		TW-VF/SMCD12-40-1.0	PU-CU
20	43024701	Controler Board CU (GDI) (Board SP1)	C5800Ldn
	43024721	Controler Board CU (GDI) (Board SP1)	C5500n
21		Plate Assy-Side R	
22	43076202	Eject-Assy	C5500n
	43076203	Eject-Assy	C5800Ldn
23		Base-Assy	
24		Plate Assy-Side L	
25	43031601	Power Unit High Voltage	High Voltage (43393801PK)
26		CONN High Voltage	
27		Cover-SideL	
28		Cassette Assy	
29	42088801	Friction Pad Assy	
30	42089001	Friction Pad Assy-Springs	
31		Cover Assy-Hopping	
32	43077403	Feeder-Unit	
33		Plate-Driver	
34		Gear-Idle-Belt	
35		Plate-Lockout-ID	
36		Cover Assy Face Up	
37		Cover Sub Assy Rear	
38	43295201	LED HEAD Unit 51STA	
	42143104	LED HEAD Unit 51MXE4	C5800Ldn,C5500n
39	43289101	Motor FAN (80)	FUSER
40		Guide-Cale(Pow-Low)	
41	42997801	Power Unit (LOW Voltage)	100V
		Power Unit (LOW Voltage)	200V
42		Spring Belt Fuse	
43	42605201	Thermistor-Belt	
44		Shaft Lift Up	
45		Bush	
46		Gear-LiftupL-Z32	
47		Gear-LiftupLinkL-Z56	
48		Plate Heat	
49		Spring Torsion (L)	
50		Spring Torsion (R)	
51		Plate-Name	C5500n
		Plate-Name	C5800Ldn
52		Plate-Logo	
53	43396801	Control Panel Sheet	C5800Ldn (Sheet-OP-Panel)
	43396802	Control Panel Sheet	C5500n (Sheet-OP-Panel)
54		Label-Color-ID	

No.	Parts No.	Name	Remarks
55		Label-Consumable(ODA)	
56		CONN-Cord-flexy DP	PU-PRY
57		Cup Screw (S Tight M3)	
58		TappingScrew-B2 L=10	
59		Screw(SW+2W)	
60		Ring	

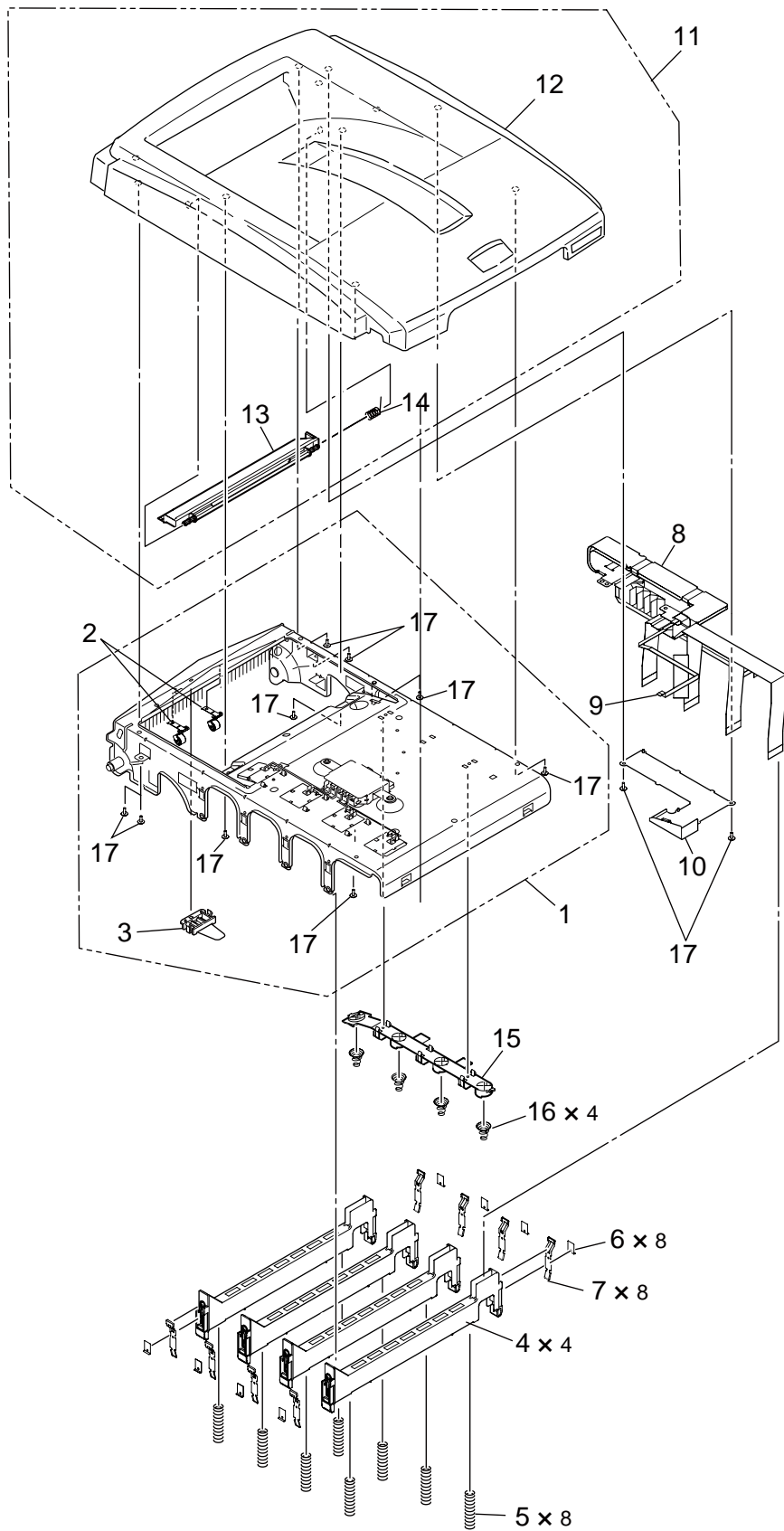
Parts Layout (C6000/C6100)



No.	Parts No.	Name	Remarks
1		Top Cover Assy (C)	
2		Control Panel Assy (C)	
		Control Panel Assy (C)	
13	43131301	Board-PRY	
14	42626501	Sensor-Assy-Color-Regist	
15		Cover-Driver	
16		Cover-Assy-SideR	
		Cover-Assy-SideR	
17	43079101	Plate-Assy.-Shield(PCL)	
		Plate-Shield-A (GDI)	
18	43131001	Print Engine Controller PWB PRX	Board-PU
19		TW-VF/SMCD12-40-1.0	PU-CU
20	55095401	Contoroler Board CU (Board TBH)	C6000
	42988801	Contoroler Board CU (Board TBH)	C6100
21		Plate Assy-Side R	
22	43076203	Eject-Assy	
23		Base-Assy	
24		Plate Assy-Side L	
25	43031601	Power Unit High Voltage	
26		CONN High Voltage	
27		Cover-SideL	
28	43386402	Cassette Assy	
29	42088801	Friction Pad Assy	
30	42089001	Friction Pad Assy-Springs	
31		Cover Assy-Hopping	
32	43077404	Feeder-Unit	
33		Plate-Driver	
34		Gear-Idle-Belt	
35		Plate-Lockout-ID	
36		Cover Assy Face Up	
37		Cover Sub Assy Rear	
38	43295201	LED HEAD Unit 51STA	600DPI
39	43289101	Motor FAN (80)	FUSER
40		Guide-Cale(Pow-Low)	
41	42997801	Power Unit (LOW Voltage)	100V
		Power Unit (LOW Voltage)	200V
42		Spring Belt Fuse	
43	42605201	Thermistor-Belt	
44		Shaft Lift Up	
45		Bush	
46		Gear-LiftupL-Z32	
47		Gear-LiftupLinkL-Z56	
48		Plate Heat	
49		Spring Torsion (L)	
50		Spring Torsion (R)	
51		Plate-Name	C6000
		Plate-Name	C6100
52		Plate-Logo	
53		Control Panel Sheet	
54		Label-Color-ID	

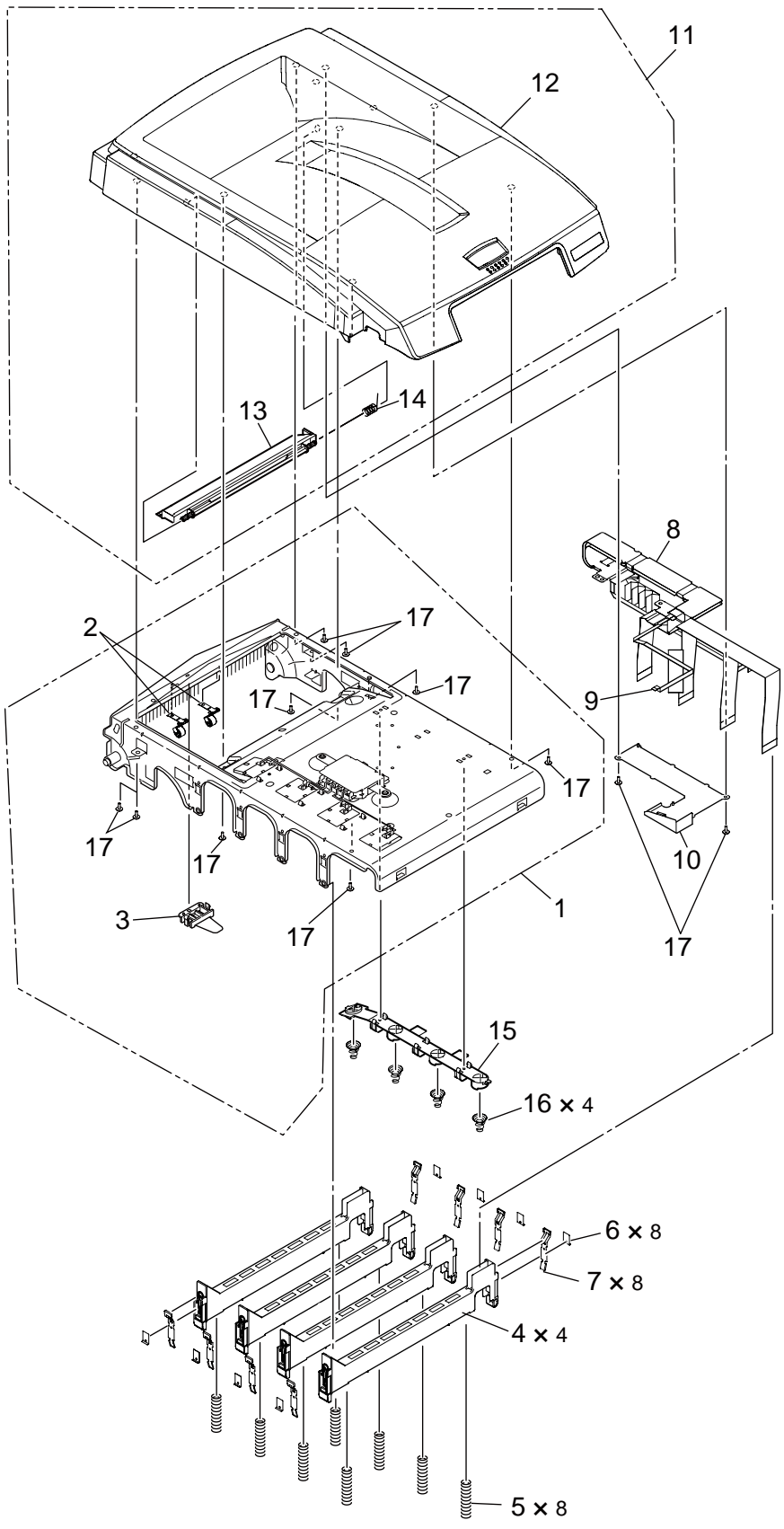
No.	Parts No.	Name	Remarks
55		Label-Consumable(ODA)	
56		CONN-Cord-flexy DP	PU-PRY
57		Cup Screw (S Tight M3)	
58		TappingScrew-B2 L=10	
59		Screw(SW+2W)	
60		Ring	

Top Cover Assy C5500/C5800



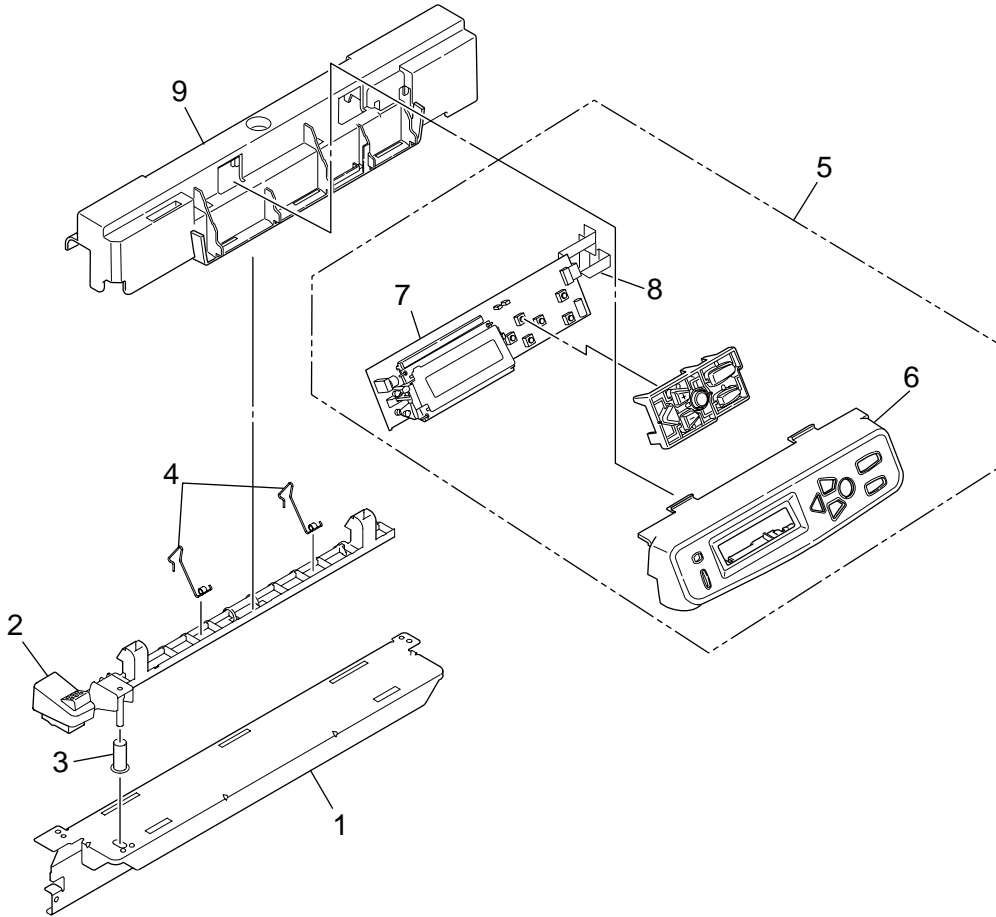
No.	Parts No.	Name	Remarks
1		Plate Assy-Inner	
2	43296001	Roller Assy.-Idle (FD)	
3	43296201	Guide Assy.-Paper	
4		Holder-Head	
	42075001	Holder-Head	C5800Ldn,C5500
5		Spring-Head	
	42075101	Spring-Head	C5800Ldn,C5500
6		Plate- Stopper	
7		Plate-FG-Head	
		Plate-FG-Head	C5800Ldn,C5500
8	43239001	Cable-Assy.-Head	
9	43297001	Cable-RFID	
10		Cover-Cable	
11		Cover-Assy.-Top (Sub)	C5800n,C5600n,C5500n
		Cover-Assy.-Top (Sub)	C5800Ldn
12		Top Cover	C5800n,C5600n,C5500n
		Top Cover	C5800Ldn
13		Cover Top Sub	C5800n,C5600n,C5500n
		Cover Top Sub	C5800Ldn
14	42293101	Spring Torsion (Sub)	
15		Holder-SP (Inner)	
16		Spring-Compression (ID)	
17		Tapping Screw B2 L=8	
18		Cup Screw (S Tight M3)	

Top Cover Assy (C6000/C6100)



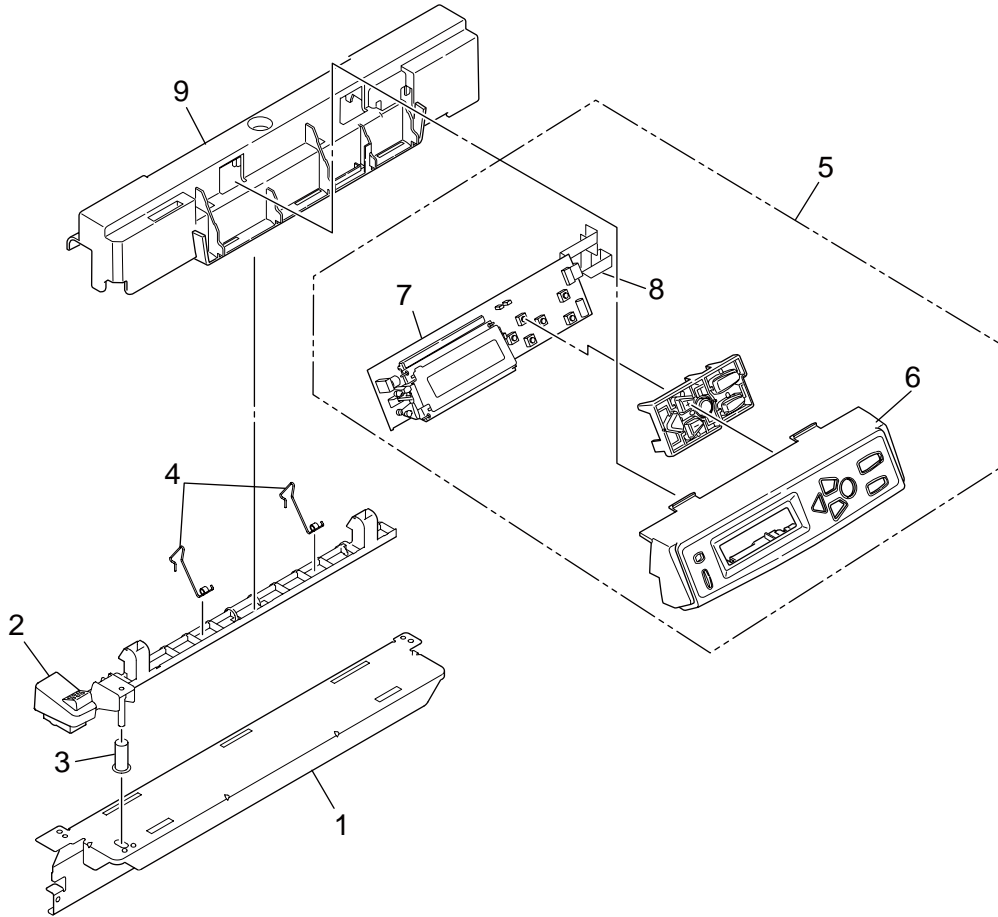
No.	Parts No.	Name	Remarks
1		Plate Assy-Inner	
2		Roller Assy.-Idle (FD)	
3		Guide Assy.-Paper	
4		Holder-Head	
5		Spring-Head	
6		Plate- Stopper	
7		Plate-FG-Head	
8	43239001	Cable-Assy.-Head	
9	43297001	Cable-RFID	
10	42076201	Cover-Cable	
11		Cover-Assy.-Top (Sub)	
12		Top Cover	
13		Cover Top Sub	
14	42293101	Spring Torsion (Sub)	
15		Holder-SP (Inner)	
16		Spring-Compression (ID)	
17		Tapping Screw B2 L=8	
18		Cup Screw (S Tight M3)	

Control Panel Assy (C5500/C5800)



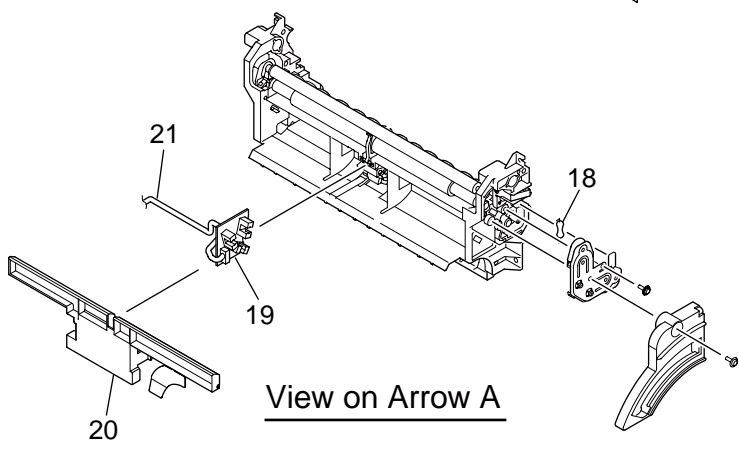
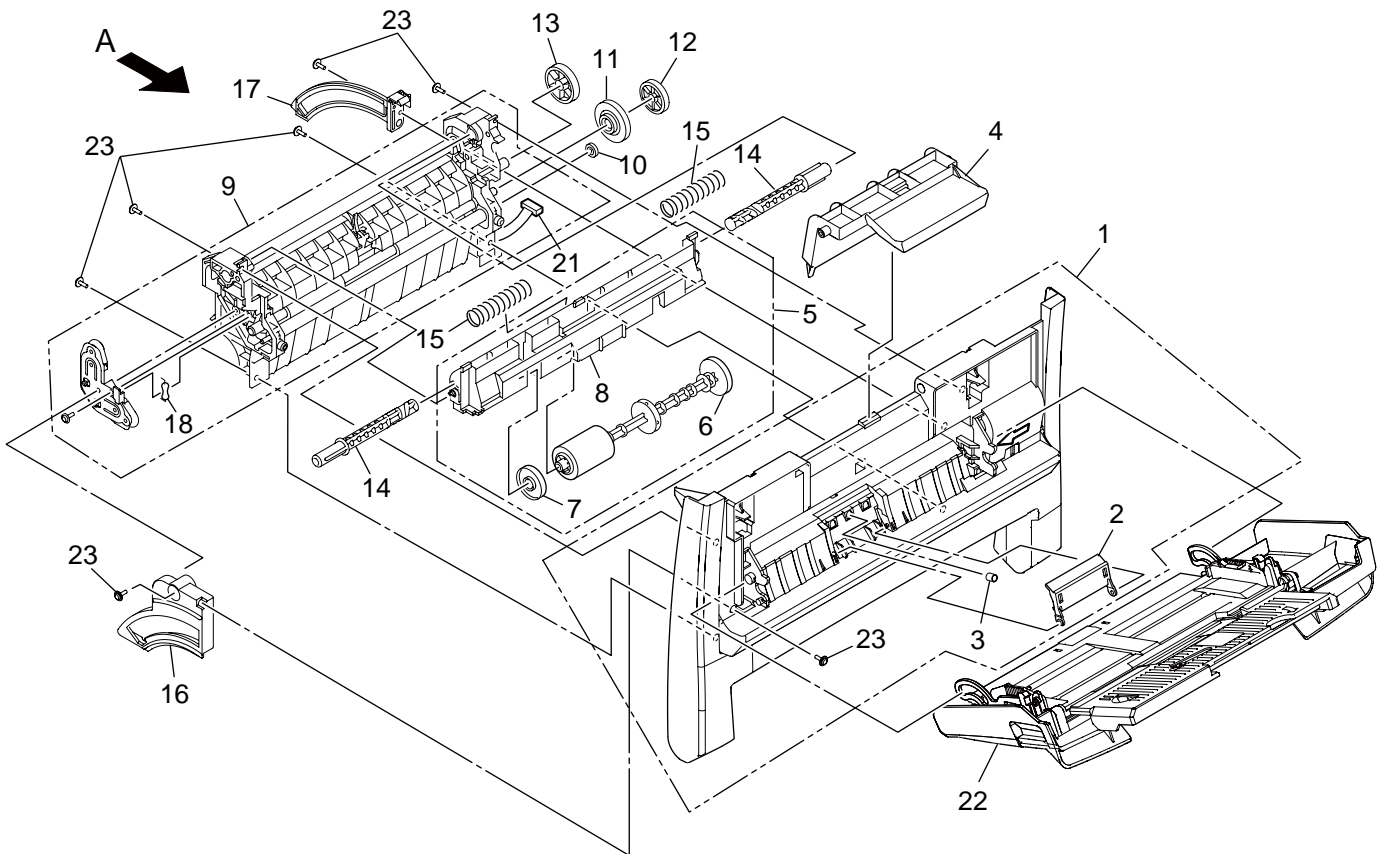
No.	Parts No.	Name	Remarks
1		Plate-Front	
2		Lever-Lock (Top)	C5800n,C5600n,C5500n
		Lever-Lock (Top)	C5800Ldn
3		Spring-Compression (Lock)	
4		Spring-Torsion (FG)	
5	43386501	Cover-Assy. -OP	C5800Ldn
	43386502	Cover-Assy. -OP	C5800n,C5600n,C5500n
6		Cover-OP-Panel	C5800n,C5600n,C5500n
		Cover-OP-Panel	C5800Ldn
7	43132501	Board PRP	
8		TW VF/SMCD9-260-1.0	Control Panel-PU

Control Panel Assy (C6000/C6100)



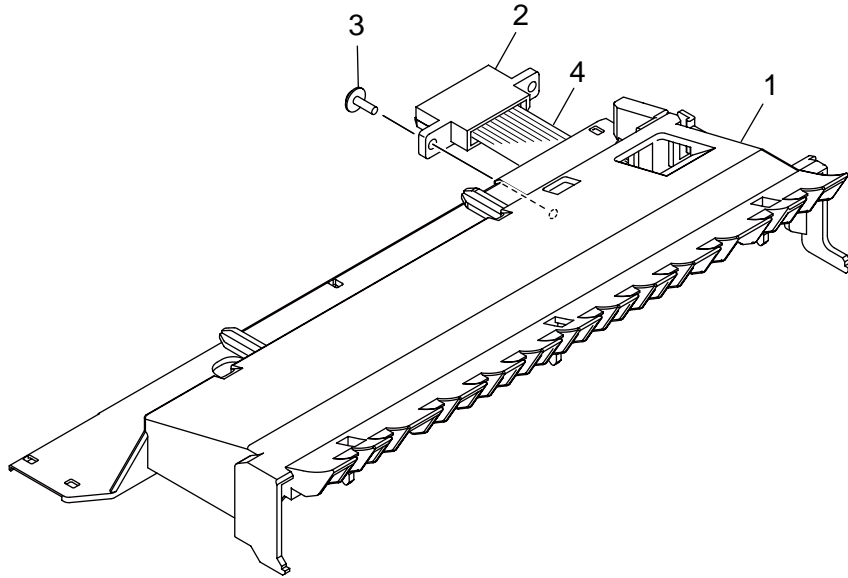
No.	Parts No.	Name	Remarks
1		Plate-Front	
2		Lever-Lock (Top)	
3		Spring-Compression (Lock)	
4		Spring-Torsion (FG)	
5	43386601	Cover-Assy. -OP	
		Cover-Assy. -OP	OEL,AOS
6		Cover-OP-Panel	
7	43132501	Board PRP	
		Board PRP	OEL,AOS
8		TW VF/SMCD9-260-1.0	Control Panel-PU

Feeder Unit



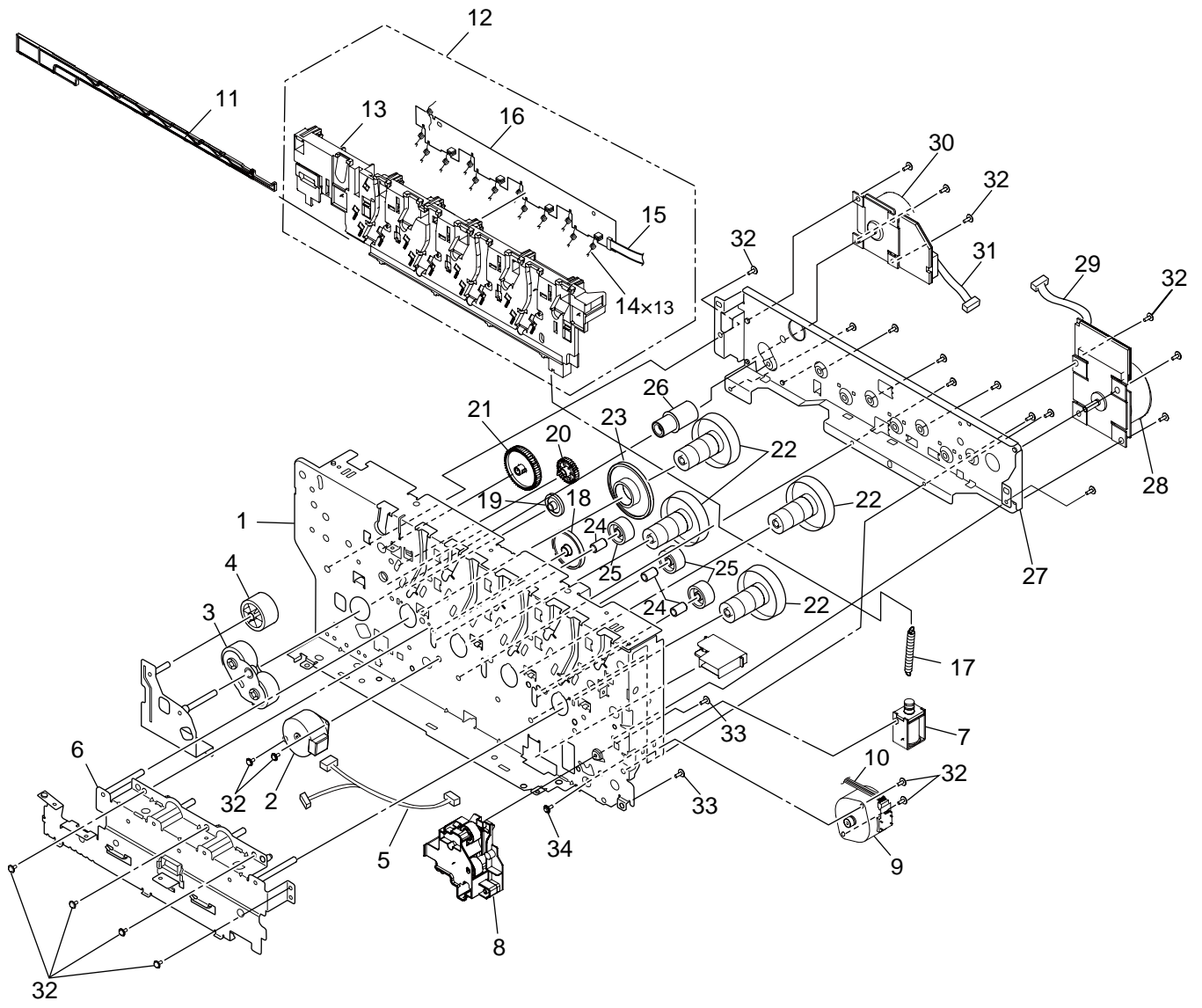
No.	Parts No.	Name	Remarks
1	43077602	Cover Assy-Front	
2	42069701	Frame Separator	
3		Spring Separator	
4		Lever-Release-F	
5		Guide-Assy-Top	
6		Shaft Assy MPT	
7		Roller Guide	
8		Guide Sheet Top	
9		Feeder-Assy-Resist	
10		Gear-Puressure	
11		Gear-Regist-L (24-54)	
12		Gear-Z42	
13		Gear-Idle-MPT (26-50)	
14		Post-Slide	
15		Spring-Release-F	
16		Stay-Front-L	
17		Stay-Front-R	
18		Res-High-Voltage	
19	42135802	Board RSF	Front Sensor
20		Cover-SNS	
21		CONN Cord JST5P-JST5P	RSF-PU
22		MPT Cover Assy(B)	C5800Ldn,C5800n,C5600n, C5500n
		MPT Cover Assy(C)	C6100dn,C5900dn,C5800dn , C5700dn,C5600n
23		Tapping Screw B2 L=8	

Cover Assy-Hopping



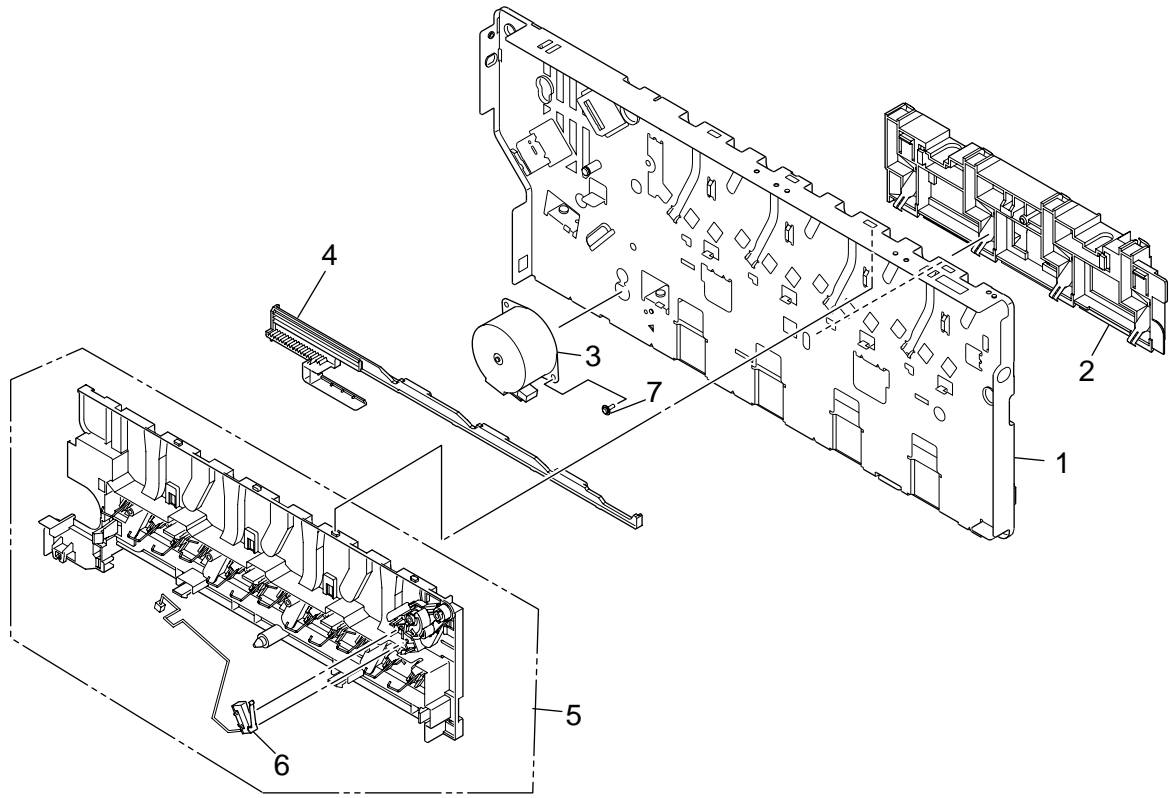
No.	Parts No.	Name	Remarks
1		Cover Hopping	
2		Connector (9715B-11Z02)	
3		Tapping Screw B2 L=8	

Plate Assy-Side R



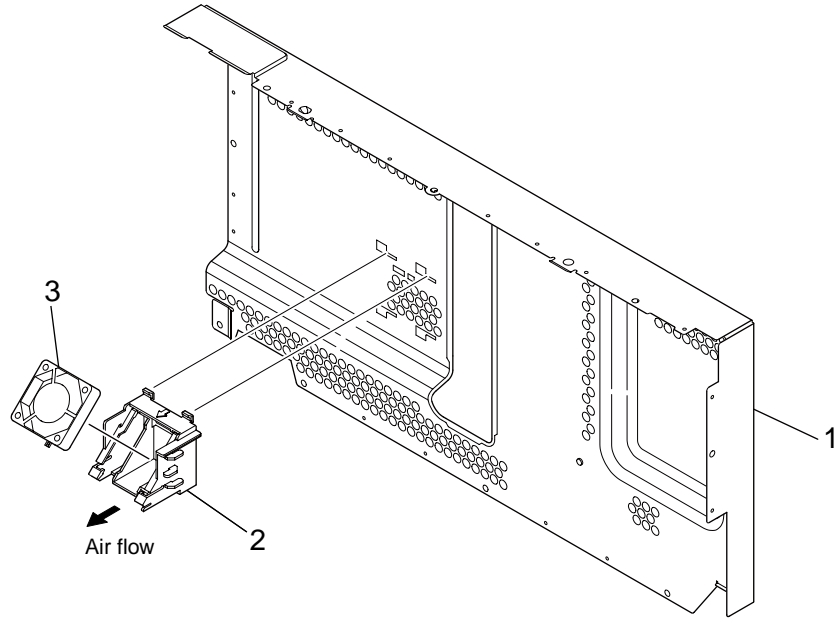
No.	Parts No.	Name	Remarks
1		Plate-Side-R	
2	43276201	Motor-Pulse-Liftup	
3	43072101	Gear-Planet-Assy	
4		Gear-Idle-Exit-Z32	
5	43138001	CONN Cord AMP8P-AMP4PAMP	Belt/IDUP Motor-PU
6		Bracket-Inner	
7	42058303	Solenoid	
8	43073201	Gear Assy-HP	
9	43276301	Motor_Pulse_HOP	
10		CONN Cord-AMP4P-AMP4P	HOP Motor-PU
11		Link-LiftUp-R	
12		Cover-PlateR-Assy	
13		Cover-Plate-R	
14	43074401	Spring-Contact-TL	
15		TW-VF-SMCD11-150-1.0	PRZ-PU
16	43131601	Borad-PRZ	Toner Sensor
17		Spring-Solenoid	
18		Gear-LiftUp-Z83Z25	
19		Gear-IdleLiftup-Z28	
20		Gear-LiftupR-Z32	
21		Gear-LiftUpLinkR-Z56	
22	43070701	Gera-Idle-DrumZ24-102	
23	43071201	Gear-LiftUp-Z121Z34	
24	43074501	Stopper-GearID	
25	43070801	Gear-Idle-Z44	
26		Gear-Idle-Heart-Z14-32	
27		Plate-Bracket-Outer58M	
28	43072001	Motor-DC-ID-58M	
29	43138101	CONN Cord AMP10P-AMP10P	ID Motor-PU
30	43070601	Motor-DC-FU-45M	
31	43138301	CONN Cord AMP9P-AMP9P	Fuser Motor-PU
32		Cup Screw (S Tight M3)	
33		TappingScrew-B2 L=8	
34		Screw-PSW3	

Plate Assy-Side L



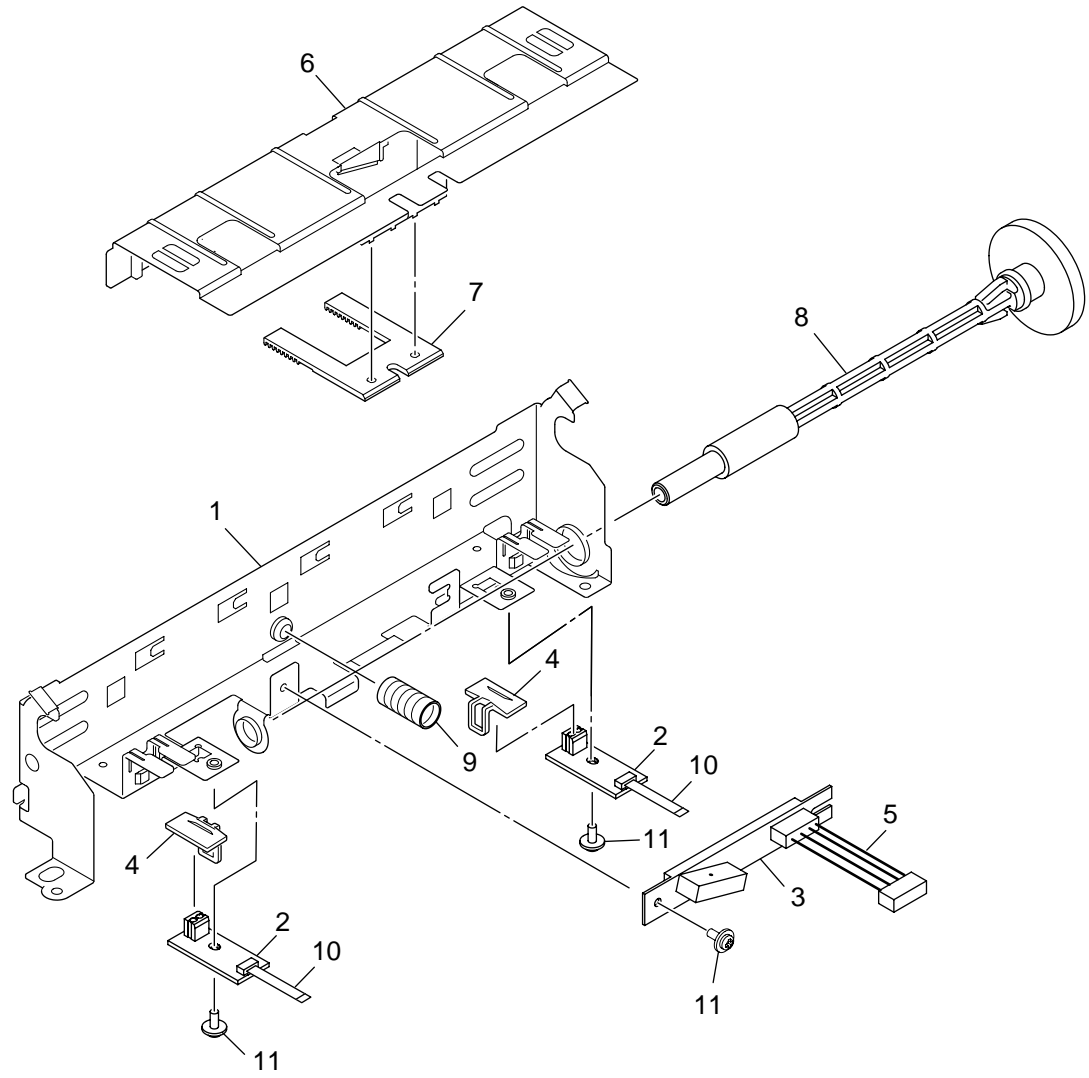
No.	Parts No.	Name	Remarks
1		Plate-Side-L (Caulking)	
2	42060402	Contact-Assy	
3	43276401	Motor-Pulse-Belt	
4		Link-Liftup-L	
5		Guide Assy-Side-L	
6	42611101	Micro switch-Assy	
7		Cup Screw (S Tight M3)	

Plate Assy-Shield



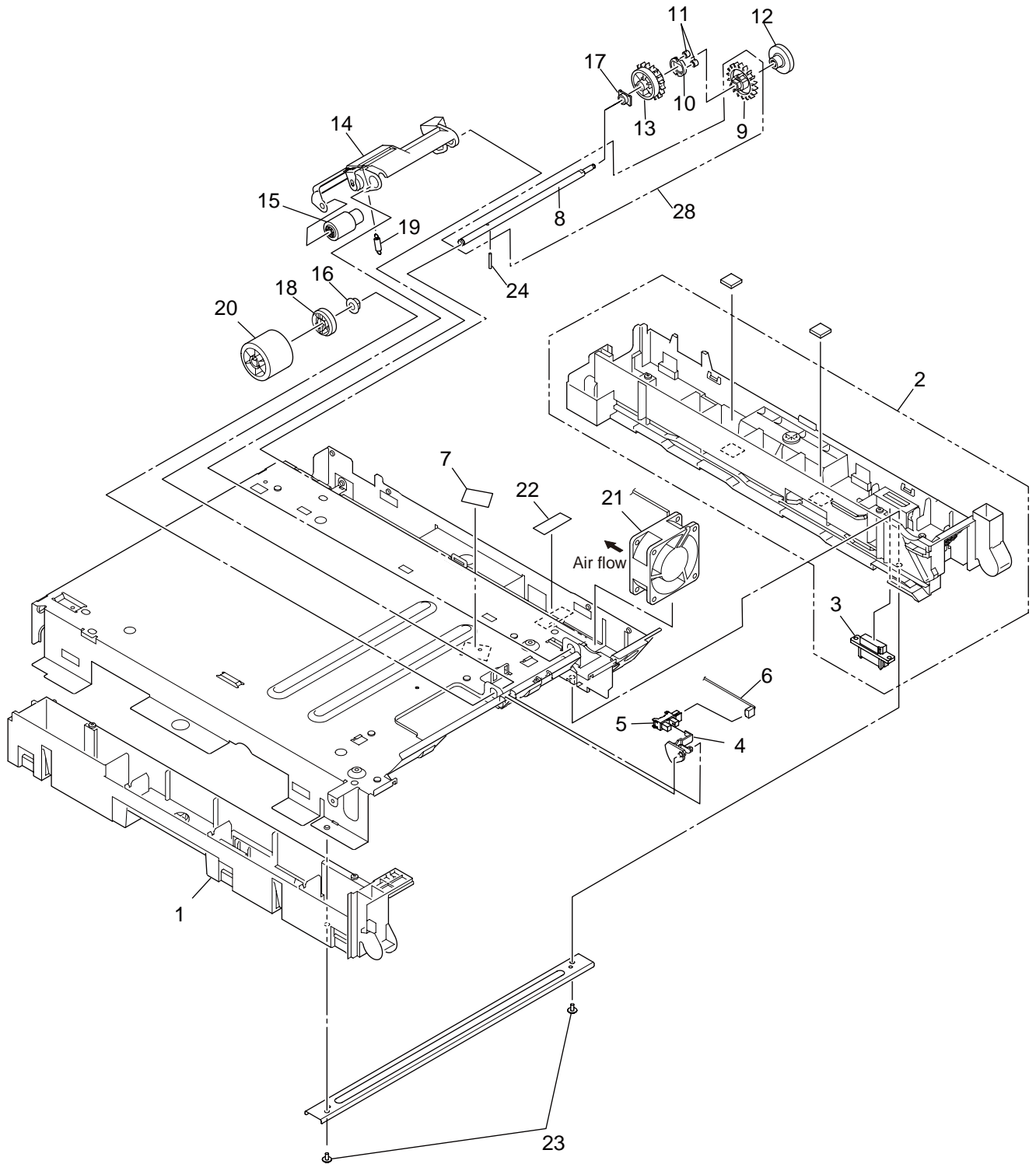
No.	Parts No.	Name	Remarks
1	43096301	Plate-Shield -A	
2	43079401	Holder-Fan-CU	
3	42861201	Motor FAN (40)	

Sensor Assy-Registration



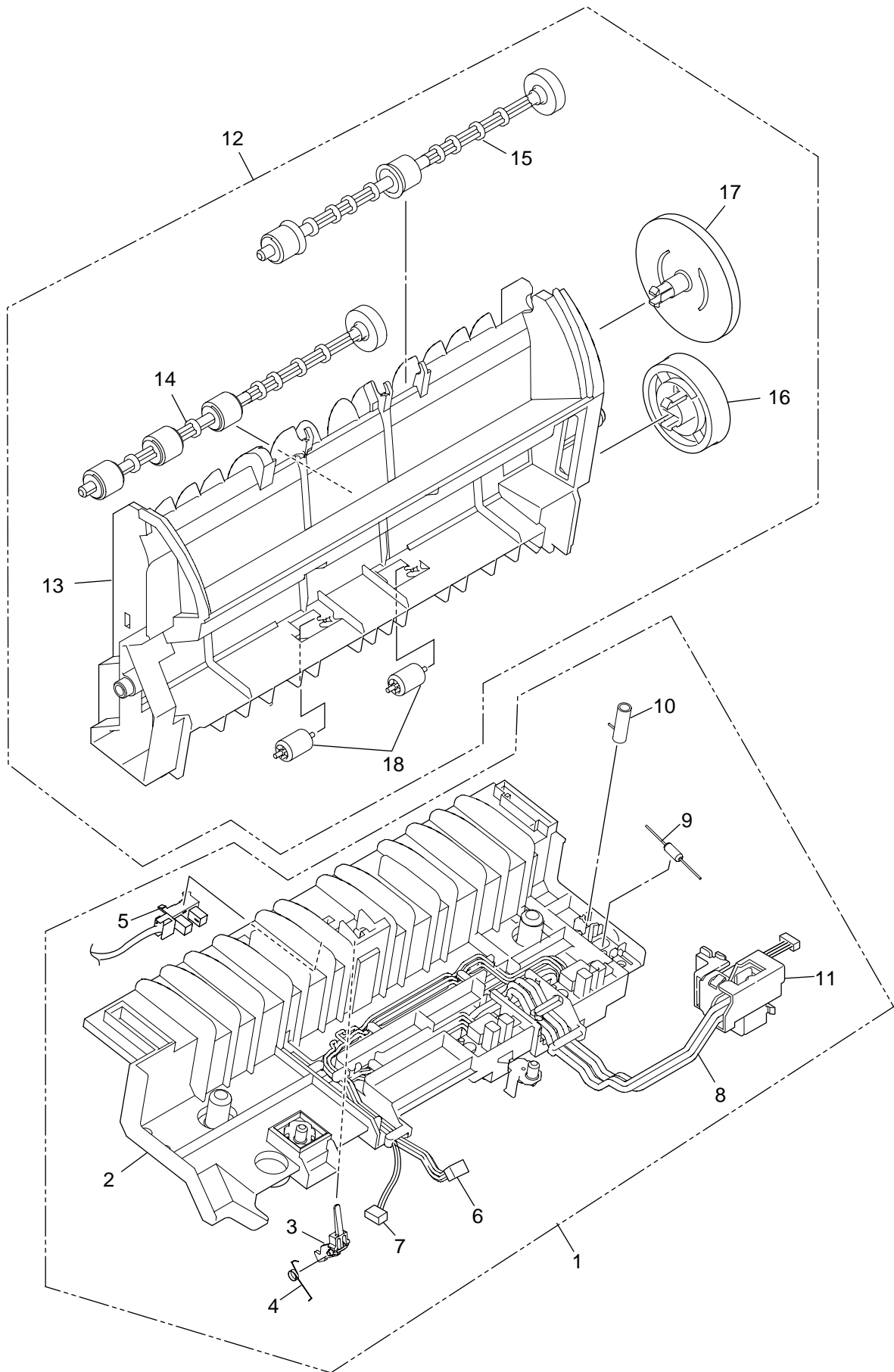
No.	Parts No.	Name	Remarks
1		Plate-Sensor-C Resist	
2	42613701	Board-PRC	Color Regist
3		GP2TCS SENSOR-Density	Density
4		Plate_Guard-sensor	
5	42610601	CONN Cord MOLEX5-MOLEX5	Density-PRY
6	42065302	Cover-C.Resist (Adhesive)	
7	42065701	Gear-Cover-Sensor (Rack)	
8	42065801	Shaft-Cover-Sensor	
9	43412901	Spring-Cover-Sensor	
10		TW-VF/SMCD4-50	PRC-PRY
11		Cup Screw (S Tight M3)	

Plate Assy-Base



No.	Parts No.	Name	Remarks
1	42049703	Guide Assy.-Cassette-L	
2	43294902	Guide Assy.-Cassette-R	
3		Connector (9715B-10Z02)	
4		Lever-End	
5	40135301	Photo-Interrupter	Paper END
6	43093701	CONN Cord-JST3P-AMP3P	PU-Paper END
7		Celophan tape W18	L=30mm
8	42050701	Shaft-Hopping	
9	42050801	Stopper-HP	
10		Holder-Planet-HP	
11	42051001	Gear-Planet (Z12)-HP	
12	42051101	Gear-Z24-50-HP	
13		Stopper-Z45-48-HP	
14		Bracket-Assy.-Sub	
15	43334801	Roller-Sub	
16		Bush	
17		BEARING A	
18		Gear-Hopping (Z38)-HP	
19		Spring-Sub	
20	43334901	Roller Assy.-Hopping	
21	43191301	Motor-Fan (60)PowL	
22		Tape AL Film	L=35mm
23		Cup Screw (S Tight M3)	
24		Pin	

Eject Assy



No.	Parts No.	Name	Remarks
1	43076301	Guide-Assy-Eject-L	
2		Guide-Eject-Lower	
3	43101801	Lever-Exit-Sensor	
4	40386501	Spring-SNS (F/R)	
5	40135301	Photo-Interrupter	
6	42610902	CONN Cord-AMP3-AMP3	Exit-PRY
7	43140301	CONN Cord-AMP8P-AMP8P	Fuser-TH
8	43155001	CONN Cord-AMP2PAMP2P-JST4P	Heater-AC
9	42796901	Res-High-Voltage	
10		Spring-FG	
11		Guide-Cable-R	
12	43560402	Guide-Assy-Eject-U (Gray)	C5500n
	43560403	Guide-Assy-Eject-U	C6100dn,C6000,C5800dn
13	43101702	Guide-Eject-Upper	C5800n,C5600n,C5500n
	43101703	Guide-Eject-Upper	C6100dn,C5900dn,C5800dn C5700dn,C5600n
14	42308001	Shaft Assy-Eject (FU)	
15	42308101	Shaft Assy-Eject (FD)	
16		Gear-Idle-Exit (Z41)	
17		Gear-Idle-Exit (Z58)	
18		Roller-Sub-G.E.U.	