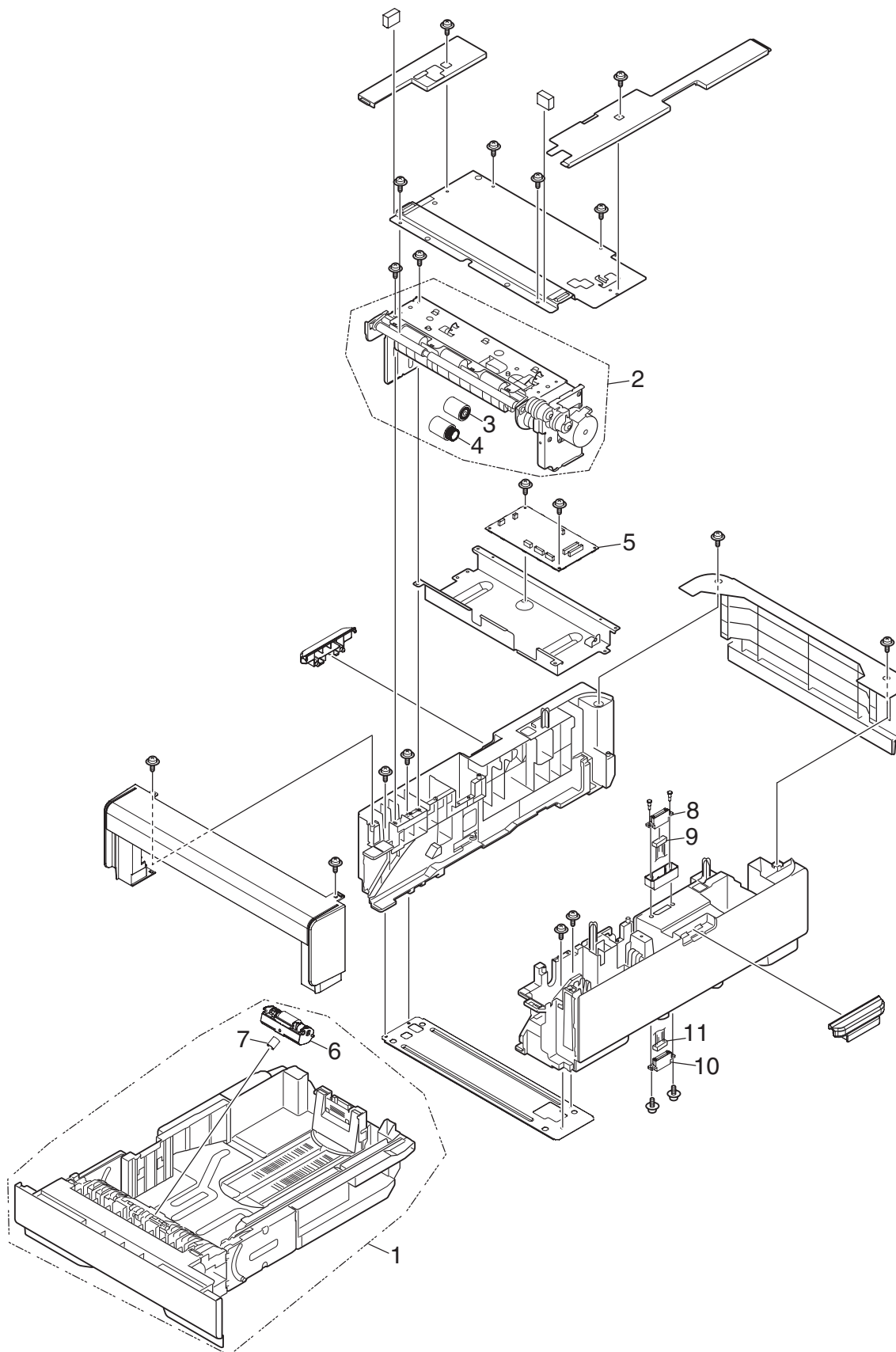


**C532dn / MC573dn
ES5473MFP
Option Tray
Illustrated Spare
Parts Manual**

5 8% ' , \$

Option Tray Unit



| No. | Part No. | Part Name | Q'ty /Unit | Recommended Q'ty/Year | | | |
|-----|----------------------------|-------------------------|------------|-----------------------|----------|----------|----------------------------|
| | | | | per 500 | per 1000 | per 2000 | |
| 1 | 44516502 | Cassette Assy. | 1 | 1 | 1 | 1 | |
| 2 | 43919704 | Frame-Assy-Hop | 1 | 1 | 1 | 1 | |
| 3 | 43000601 | Roller-Feed-NOW | 1 | 1 | 1 | 1 | |
| 4 | 42699401 | Roller-Pick-Up | 1 | 1 | 1 | 1 | |
| 5 | 44887913 | OR-Board Assy. -GOH-13 | 1 | 1 | 1 | 1 | |
| 6 | 43895001 | Frame-Assy-Retard | 1 | 1 | 1 | 1 | |
| 7 | 43963101 | Spring-Retard | 1 | 1 | 1 | 1 | |
| 8 | 56740720 (2233014P0120) | 9715S-12Z02-G4C | 1 | 1 | 1 | 1 | Attached portion:Top side. |
| 9 | 44643602 | CONN Cord-AMP12P-AMP12P | 1 | 1 | 1 | 1 | Attached portion:Top side. |
| 10 | 56740420 (2233013P0120) | 9715B-12Z02-G4C | 1 | 1 | 1 | 1 | |
| 11 | 44644002 | CONN Cord-AMP13P-AMP12P | 1 | 1 | 1 | 1 | |