

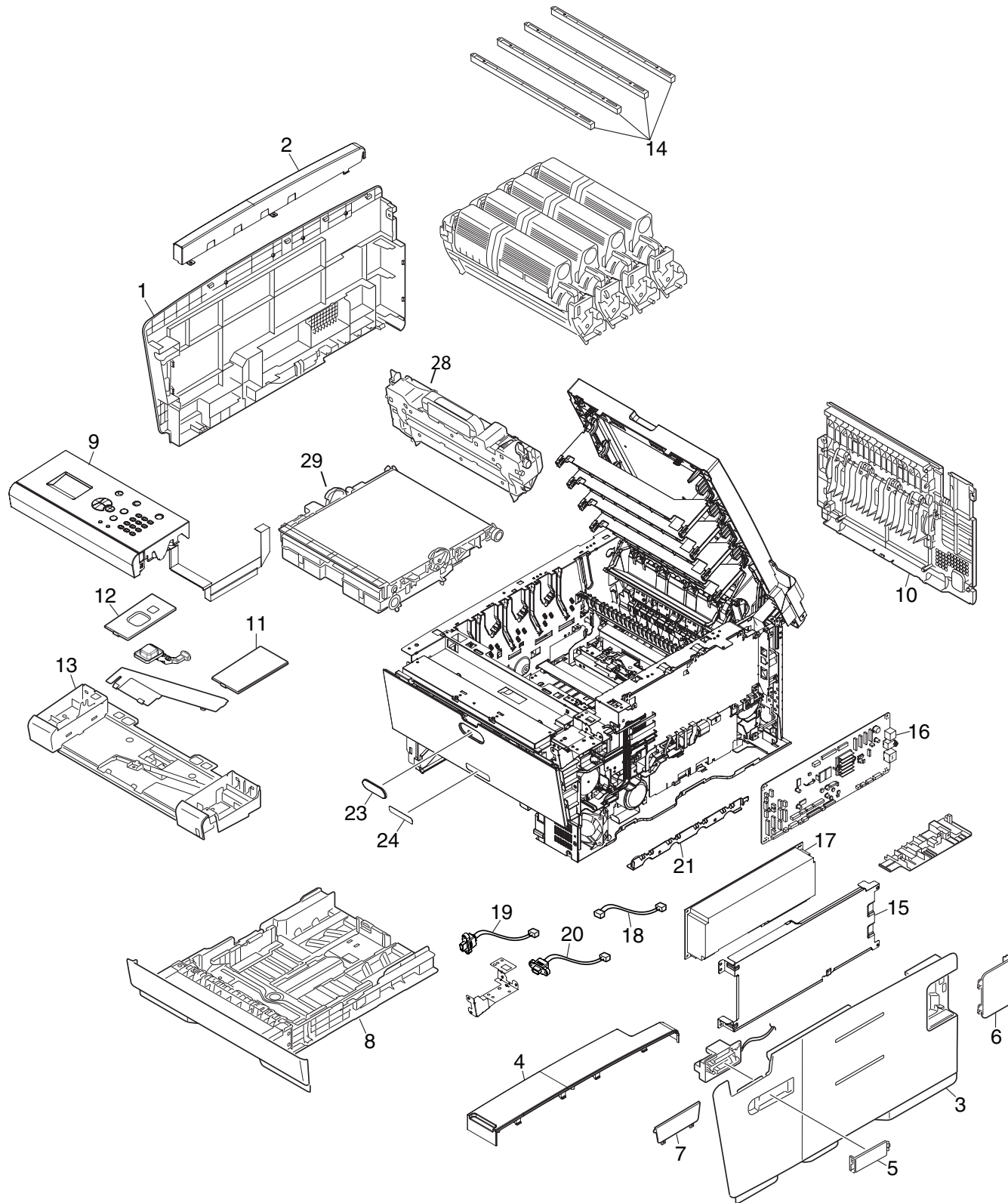
C532dn

Illustrated Spare

Parts Manual

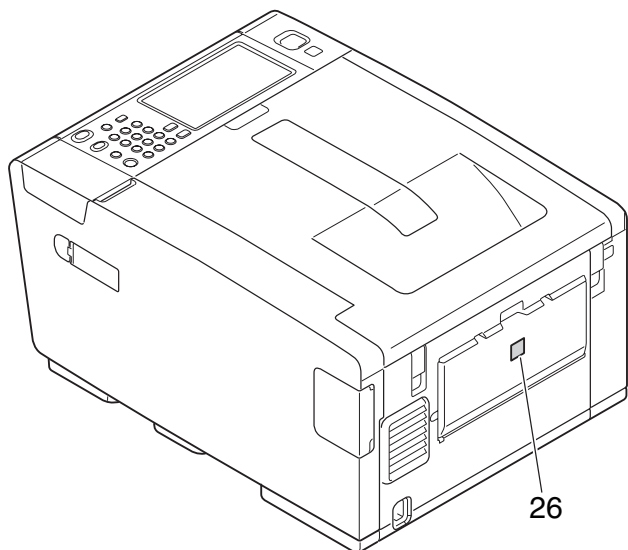
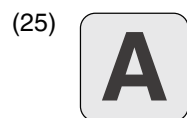
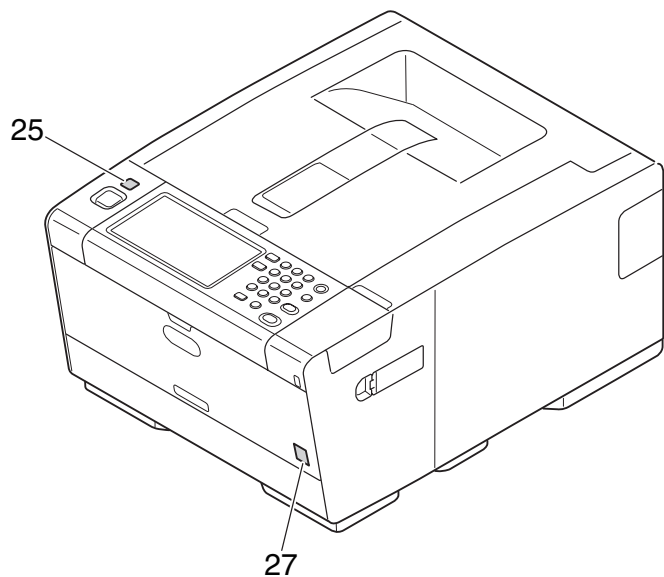
072016A.1

Printer-NIP-Unit-1 (C532)



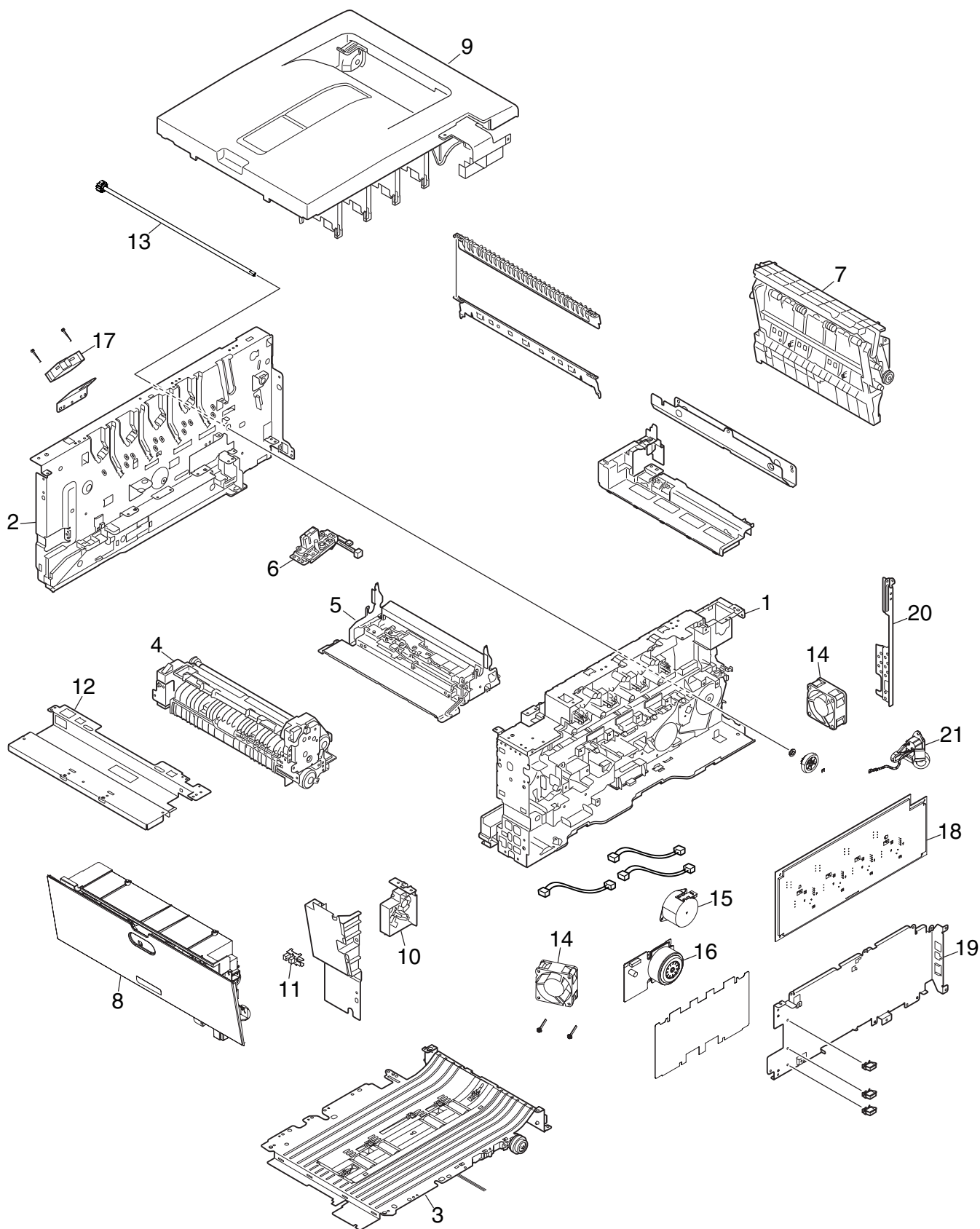
Unit Name	No.	Part No.	Part Name	Q'ty /Unit	Recommended Q'ty/Year			Remarks
					per 500	per 1000	per 2000	
Printer-NIP	1	46142101	Cover-Side(L)	1	1	1	1	
Printer-NIP	2		Cover Assy.-Side(L-Sub)	1	1	1	1	
Printer-NIP	3	46142201	Cover-Side(R)	1	1	1	1	
Printer-NIP	4		Cover-Side(R-Sub)	1	1	1	1	
Printer-NIP	5		Cover-WLAN	1	1	1	1	
Printer-NIP	6		Cover-IF	1	1	1	1	
Printer-NIP	7		Cover-Side-IC(St)	1	1	1	1	
Printer-NIP	8	44454102	Case-Cassette-Assy.-760	1	1	1	1	
Printer-NIP	9-a		Frame-Assy-OP-7Inch_SFP	1	1	1	1	
Printer-NIP	9-b	46199501	Cover-OP-Assy	1	1	1	1	
Printer-NIP	10		Cover-Assy.-Rear	1	1	1	1	
Printer-NIP	11		Cover-Card	1	1	1	1	
Printer-NIP	12		Cover-OP(Sub)	1	1	1	1	
Printer-NIP	13		Frame-OP panel-Base	1	1	1	1	
Printer-NIP	14	46104402	LED Head Unit-61TRD2	4	1	1	1	1200dpi
Printer-NIP	15		Plate-Shield(CU)	1	1	1	1	
Printer-NIP	16	46113401	PXFX760 Maintenance Board-76M	1	1	1	1	Board PU/CU C532dn ODNA
Printer-NIP	17	46496101	PWR unit-ACDC Switch	1	1	1	1	PWR unit 100V-120V
Printer-NIP	17	45651001	PWR unit-ACDC Switch	1	1	1	1	PWR unit 230V
Printer-NIP	18	46197801	CONN Cord-JST14P-JST14P	1	1	1	1	PWR unit-PU/CU
Printer-NIP	19		CONN Cord-USB-AMP5P	1	1	1	1	Host USB-PU/CU
Printer-NIP	20		CONN Cord-USB-JST5P	1	1	1	1	IC Card-PU/CU
Printer-NIP	21		Plate-Lockout	1	1	1	1	
Printer-NIP	23	45249502	Plate-Logo	1	1	1	1	
Printer-NIP	24-b	46306301	Plate-Name_C532	1	1	1	1	C532
Printer-NIP	25		Label-Maintenance(A)	1	1	1	1	
Printer-NIP	26		Label-Maintenance(D)	1	1	1	1	
Printer-NIP	27		Label-Energy_Star	1	1	1	1	
Printer-NIP	28	46358501	Fuser Unit-120V	1	1	1	1	120 Volt Fuse Assembly
Printer-NIP	29	46394901	Belt Unit	1	1	1	1	Transfer Belt Assembly

Printer-NIP-Unit-2



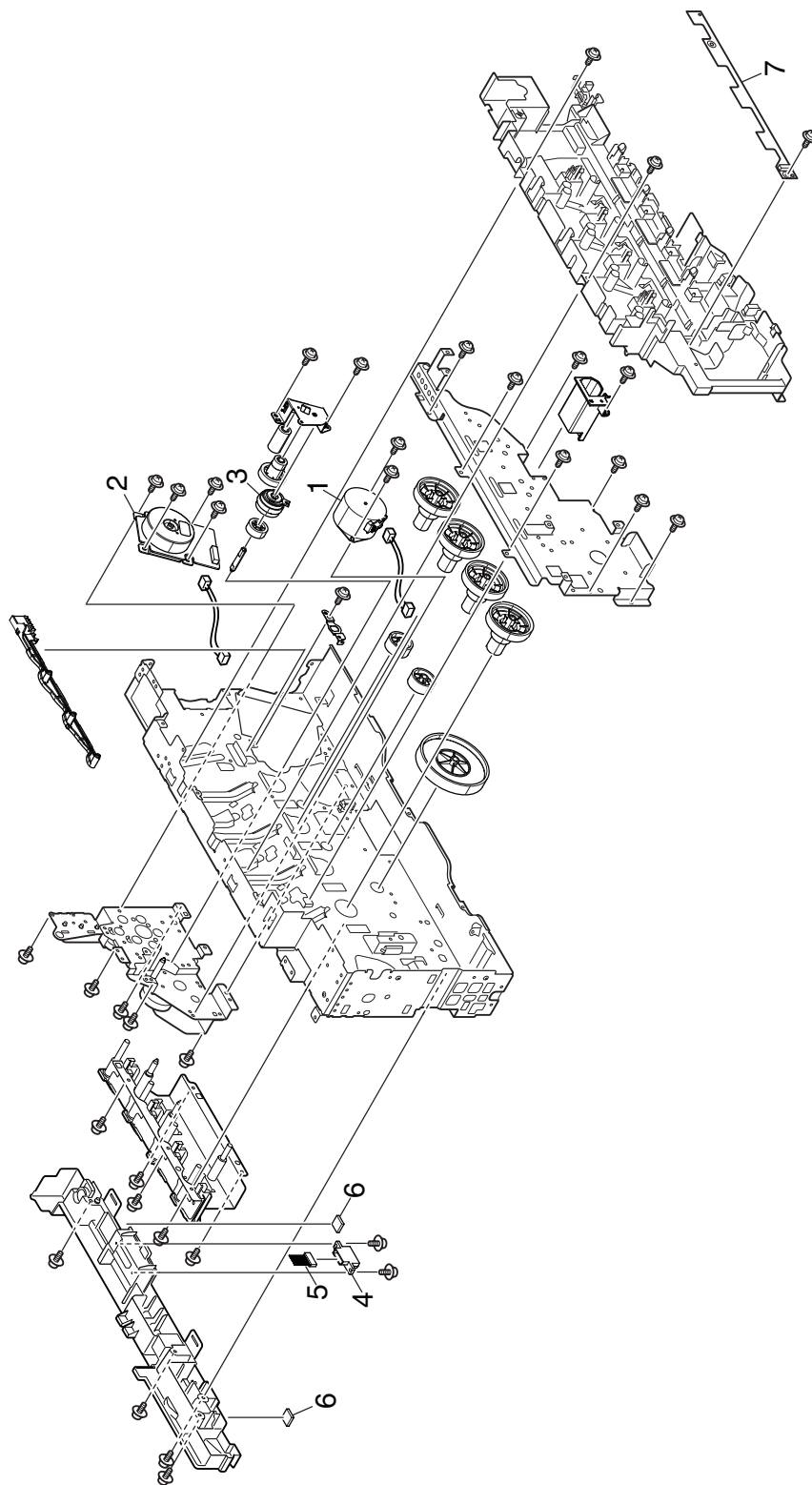
Unit Name	No.	Part No.	Part Name	Q'ty /Unit	Recommended Q'ty/Year			Remarks
					per 500	per 1000	per 2000	
Printer-NIP	25		Label-Maintenance(A)	1	1	1	1	
Printer-NIP	26		Label-Maintenance(D)	1	1	1	1	
Printer-NIP	27		Label-Energy_Star	1	1	1	1	

Printer-Unit



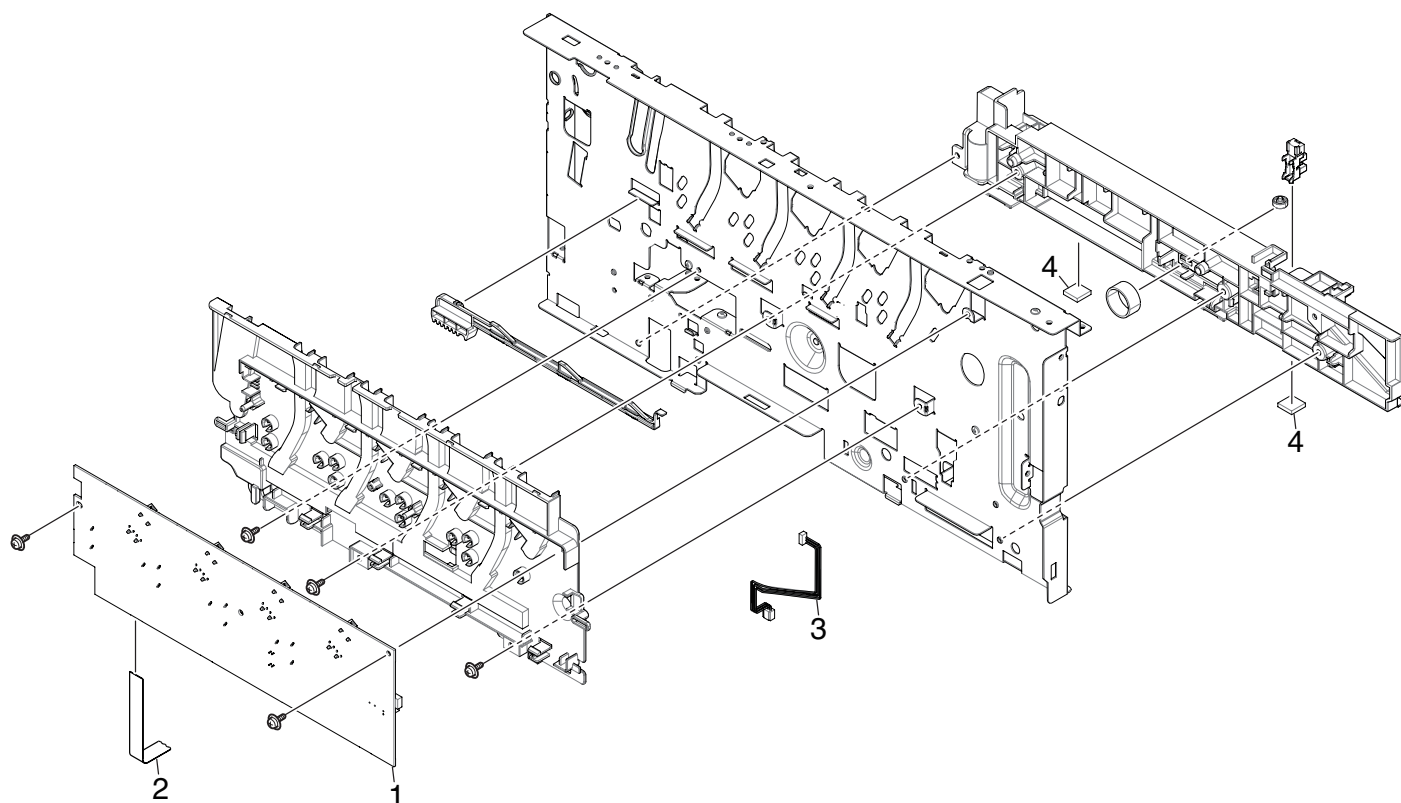
Unit Name	No.	Part No.	Part Name	Q'ty /Unit	Recommended Q'ty/Year			Remarks
					per 500	per 1000	per 2000	
Printer-Unit	1	46199201	Side-R Assy.	1	1	1	1	
Printer-Unit	2	46199301	Side-L Assy.	1	1	1	1	
Printer-Unit	3	44452502	Base-Assy	1	1	1	1	
Printer-Unit	4	44452702	Front Assy.-Hop/Reg	1	1	2	4	
Printer-Unit	5	44452602	Sensor Assy.-Regist	1	1	1	1	
Printer-Unit	6	44454002	FG-Assy-Fuser	1	1	1	1	
Printer-Unit	7	46199701	Eject-Assy	1	1	1	1	
Printer-Unit	8	46203701	Frame-Assy-MPT	1	1	1	1	
Printer-Unit	9	46199401	Cover-Top-Assy	1	1	1	1	
Printer-Unit	10	46199101	Switch Assy.-InterLock	1	1	1	1	
Printer-Unit	11	55631302 (6520028M0002)	GP1A173LCS3F	1	1	1	1	MPT-PE_SNS.
Printer-Unit	12	46130701	Plate-Front	1	1	1	1	
Printer-Unit	13	44453802	Shaft-Liftup-Assy	1	1	1	1	
Printer-Unit	14	44352501	Motor-FAN(60x25)	2	1	1	1	Front-Fan/Rear-FAN
Printer-Unit	15	46499801	OR-Motor_Pulse_HOP	1	1	1	1	HOP-Motor Same Plate-R Assy. No.1.
Printer-Unit	16	46207301	Motor-DC(ID)	1	1	1	1	ID-Motor
Printer-Unit	17	44353601	Motor-Fan(Blower)	1	1	1	1	
Printer-Unit	18	46294401	OR-Board-76C	1	1	1	1	(High Voltage)
Printer-Unit	19		Plate-Board(A)	1	1	1	1	
Printer-Unit	20		Plate-Rear	1	1	1	1	
Printer-Unit	21		CONN Cord- JST3P-INLET for 750MLK	1	1	1	1	INLET

Plate-R Assy



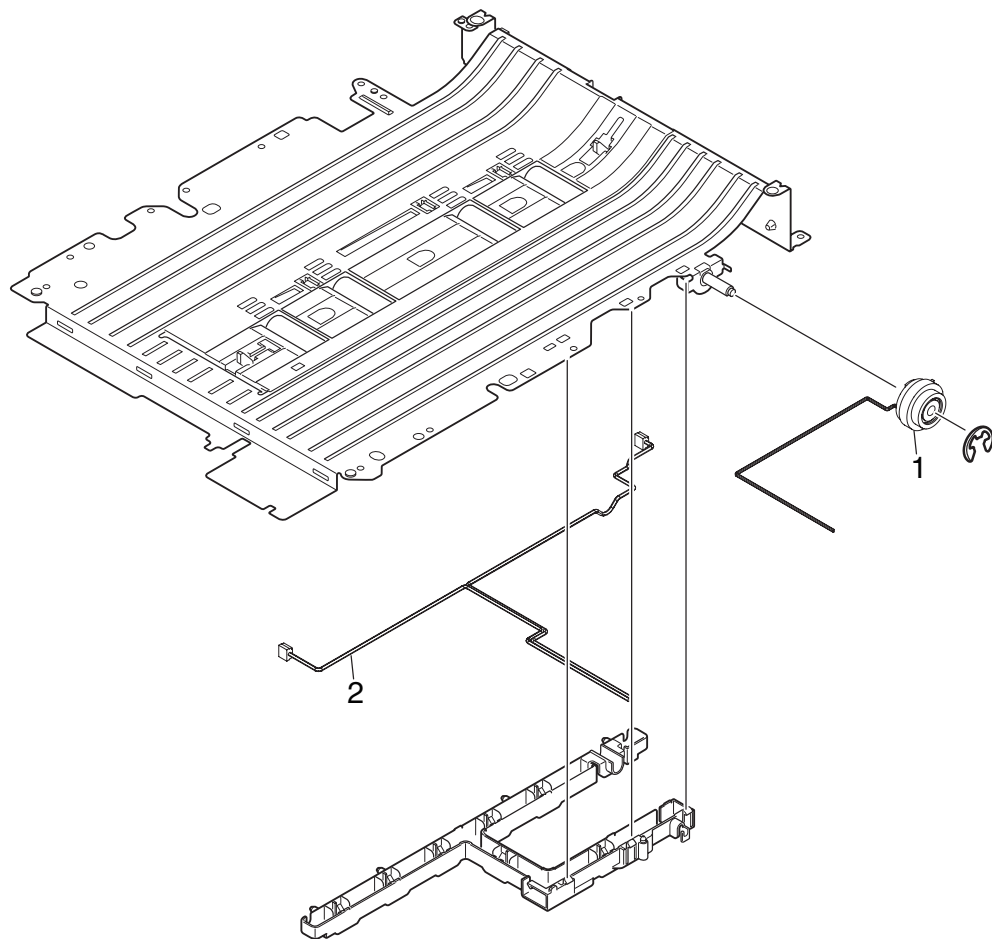
Unit Name	No.	Part No.	Part Name	Q'ty /Unit	Recommended Q'ty/Year			Remarks
					per 500	per 1000	per 2000	
Side-R Assy	1	46499801	OR-Motor_Pulse_HOP	1	1	1	1	BeltMotor Same Printer-Unit No.15.
Side-R Assy	2	44349601	Motor-DC(F)	1	1	1	1	FuserMotor
Side-R Assy	3	44369901	Gear Assy.-CL35Z25	1	1	2	4	UP/Down-Clutch
Side-R Assy	4		9715B-12Z02-G4C	1	1	1	1	
Side-R Assy	5		CONN Cord-AMP12P-AMP12P	1	1	1	1	OptionTray-PU/CU
Side-R Assy	6		Rubber-Foot	2	1	1	1	Same Plate-L Assy No.4
Side-R Assy	7	46095901	OR-Board-76T	1	1	1	1	Toner-Sensor

Plate-L Assy



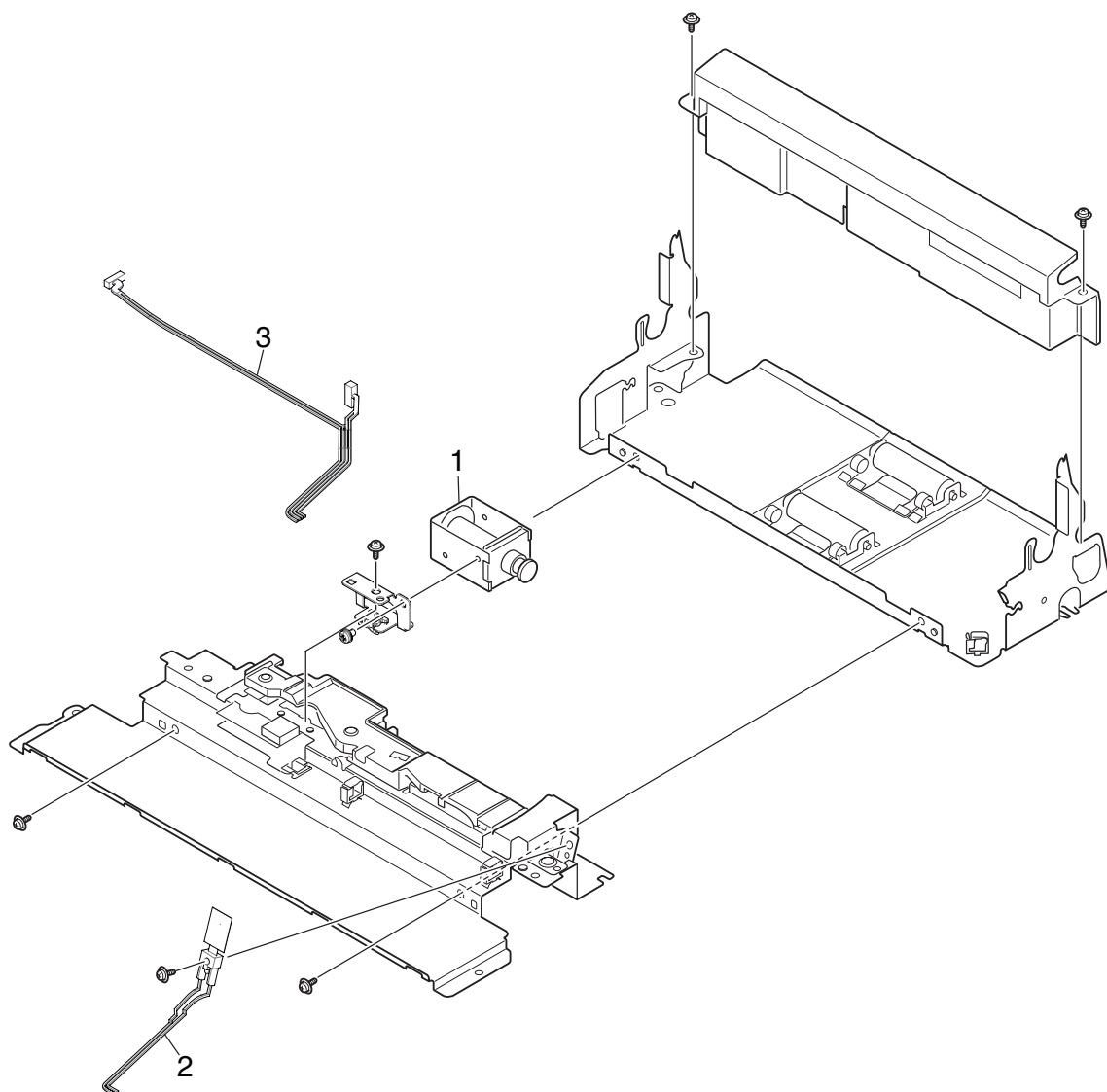
Unit Name	No.	Part No.	Part Name	Q'ty /Unit	Recommended Q'ty/Year			Remarks
					per 500	per 1000	per 2000	
Side-L Assy	1	46096301	OR-Board-76E	1	1	1	1	76E-Borad
Side-L Assy	2	46303902	FFC-P1.0_A_L500_N20	1	1	1	1	76E-PU/CU
Side-L Assy	3	44429801	CONN Cord-AMP3P-AMP3P	1	1	1	1	Cass.SNS-76E
Side-L Assy	4		Rubber-Foot	2	1	1	1	Same Plate-R Assy No.8

Base-Assy



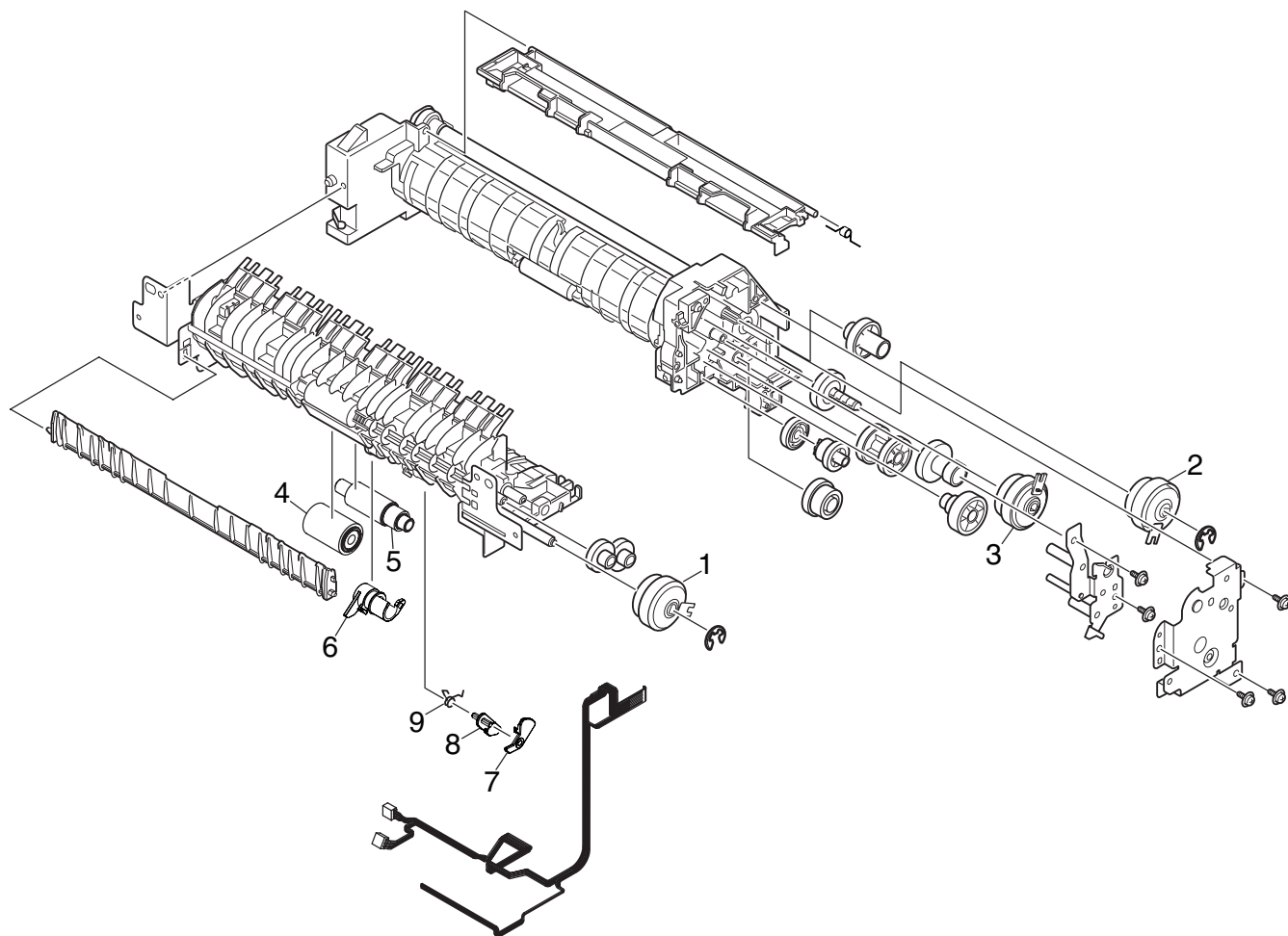
Unit Name	No.	Part No.	Part Name	Q'ty /Unit	Recommended Q'ty/Year			Remarks
					per 500	per 1000	per 2000	
Base-Assy	1	44354901	Gear-Assy.-CL25Z19	1	1	1	1	Duplex-Clutch
Base-Assy	2		CONN Cord-AMP6P-AMP3P AMP3P	1	1	1	1	CUPU-Dup.SNS

Sensor-Assy.-Regist



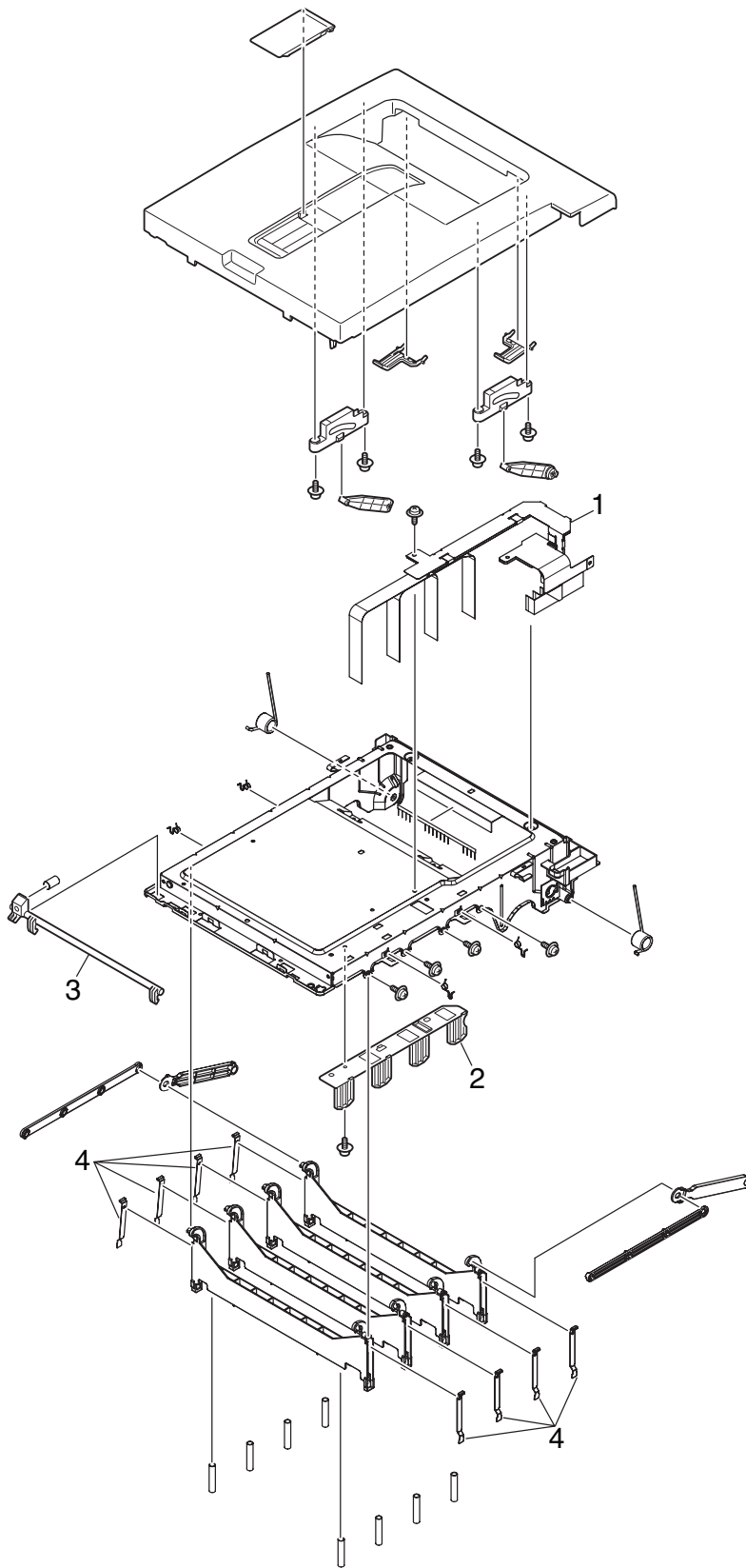
Unit Name	No.	Part No.	Part Name	Q'ty /Unit	Recommended Q'ty/Year			Remarks
					per 500	per 1000	per 2000	
Sensor Assy.-Regist	1	42058304	Solenoid	1	1	1	1	
Sensor Assy.-Regist	2	42605201	Thermistor-Belt	1	1	1	1	
Sensor Assy.-Regist	3	46197701	CONN Cord-AMP10P-AMP5P AMP5P	1	1	1	1	Sensor Assy-PU/CU

Front Assy.-Hop/Reg



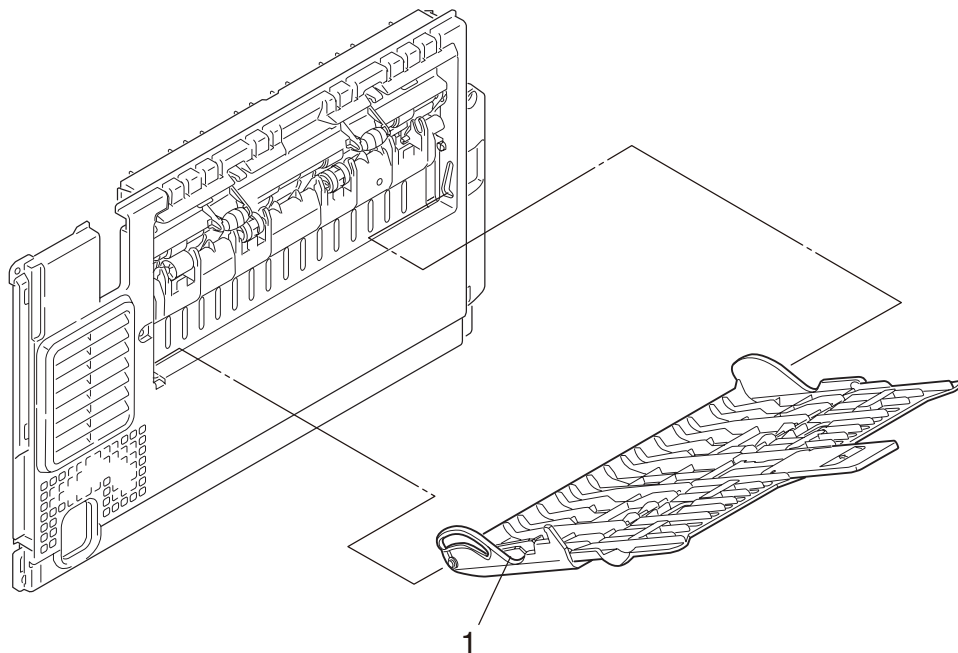
Unit Name	No.	Part No.	Part Name	Q'ty /Unit	Recommended Q'ty/Year			Remarks
					per 500	per 1000	per 2000	
Front Assy.-Hop/Reg	1	44261403	Clutch-3.5	1	1	1	1	Hop.-Clutch
Front Assy.-Hop/Reg	2	44261404	Clutch-4.5	1	1	1	1	Reg.-Clutch
Front Assy.-Hop/Reg	3	44261406	Clutch-3.5	1	1	1	1	MPT-Clutch
Front Assy.-Hop/Reg	4	44483301	Roller-Assy-Hopping	1	1	2	4	
Front Assy.-Hop/Reg	5	44483601	Roller-Assy-PickUp	1	1	2	4	
Front Assy.-Hop/Reg	6	44358001	Lever-Sensor-Hopping	1	1	1	1	
Front Assy.-Hop/Reg	7	44549801	Lever-End	1	1	1	1	
Front Assy.-Hop/Reg	8	45695901	Lever-End-Sub	1	1	1	1	
Front Assy.-Hop/Reg	9	44550001	Spring-Lever-End	1	1	1	1	

Cover-Top-Assy



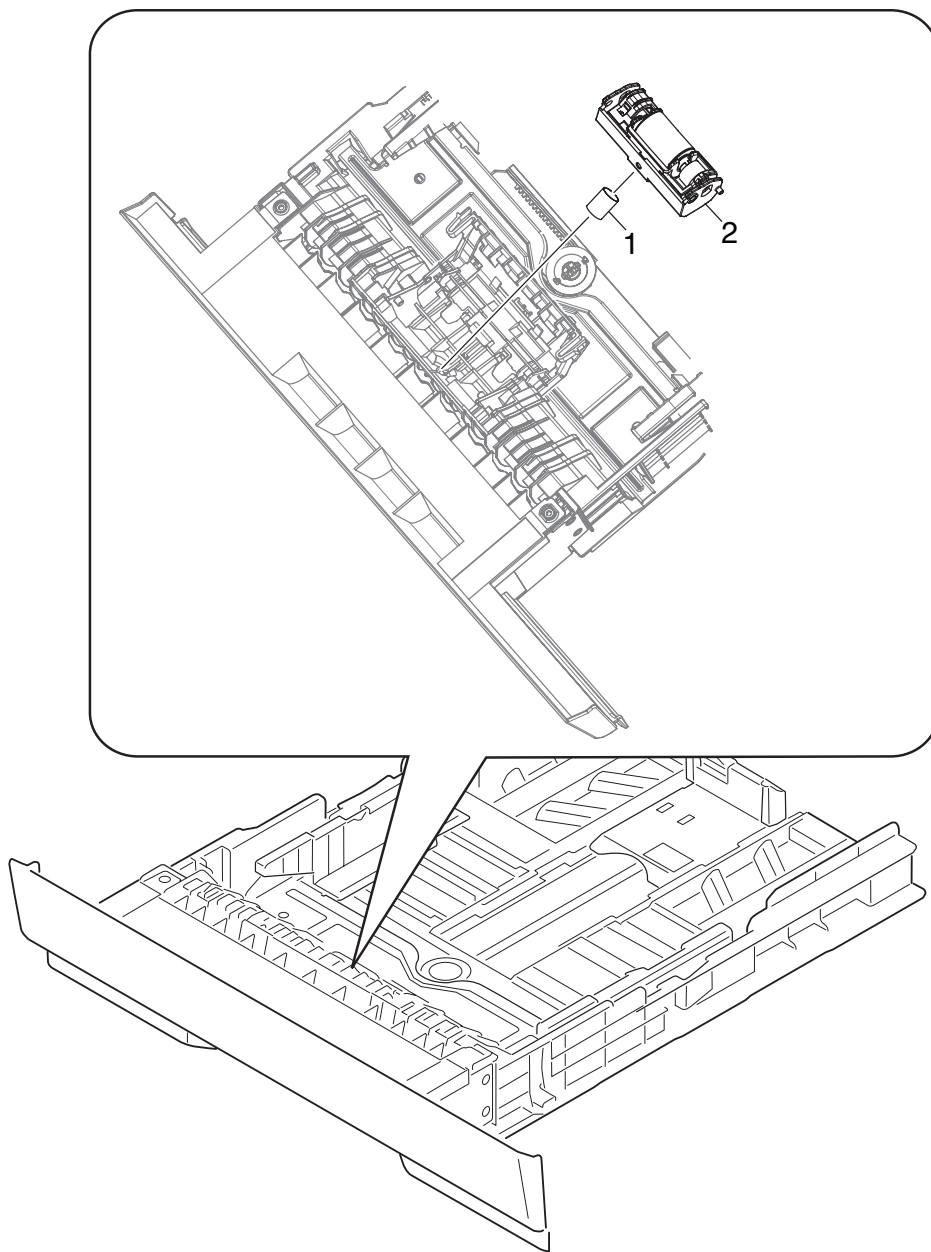
Unit Name	No.	Part No.	Part Name	Q'ty /Unit	Recommended Q'ty/Year			Remarks
					per 500	per 1000	per 2000	
Cover-Top-Assy	1	46200401	Cable-Head-Assy	1	1	1	1	
Cover-Top-Assy	2	46129701	Holder-Head-FFC	1	1	1	1	
Cover-Top-Assy	3		Lever-Lock-Top	1	1	1	1	
Cover-Top-Assy	4	46129201	Plate-Head-FG-L	8	1	1	1	

Cover-Assy.-Rear



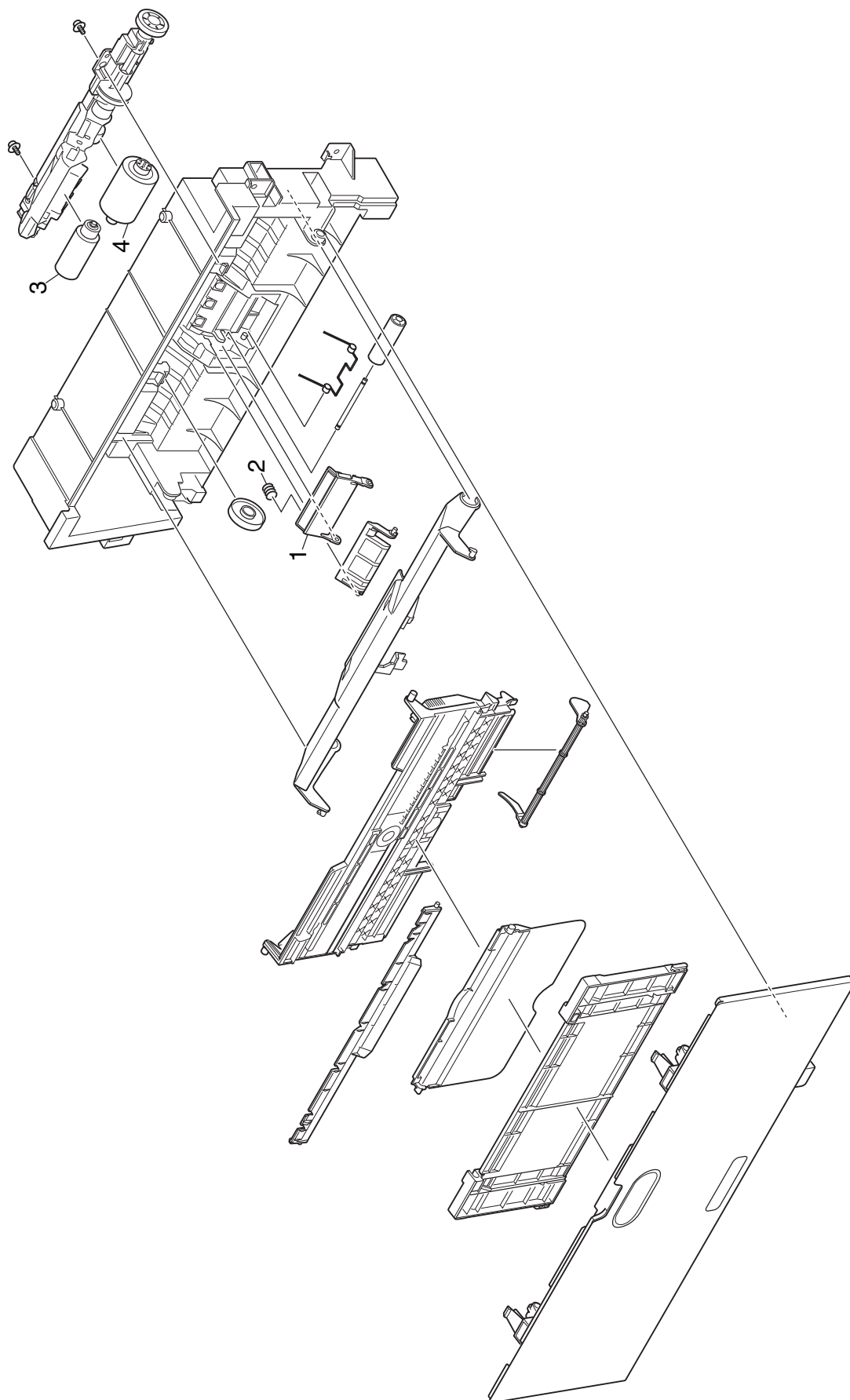
Unit Name	No.	Part No.	Part Name	Q'ty /Unit	Recommended Q'ty/Year			Remarks
					per 500	per 1000	per 2000	
Cover-Assy.-Rear	1		Cover-Assy.-Stacker	1	1	1	1	

Case-Cassette-Assy



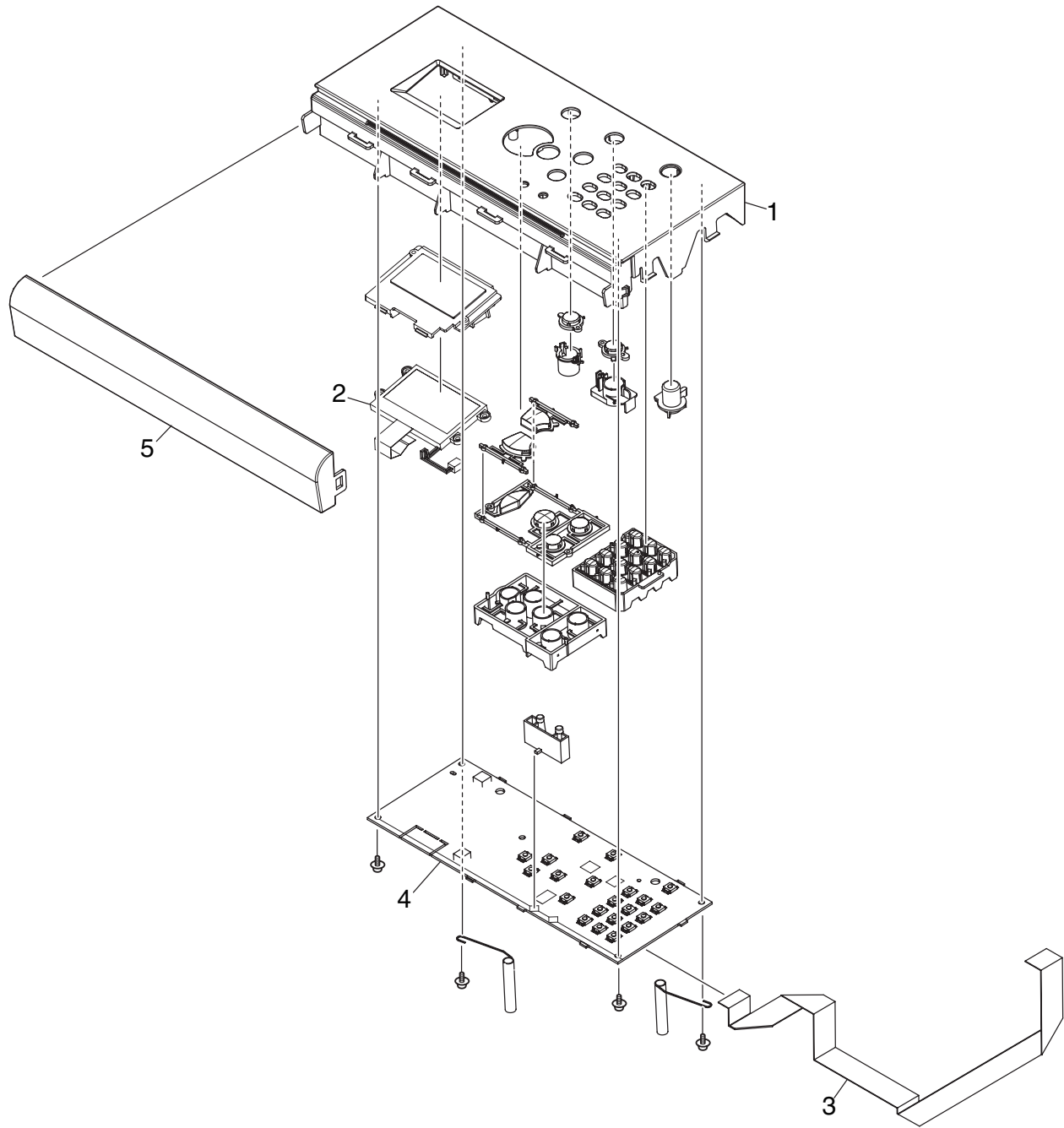
Unit Name	No.	Part No.	Part Name	Q'ty /Unit	Recommended Q'ty/Year			Remarks
					per 500	per 1000	per 2000	
Case-Cassette-Assy.-760	1	44384701	Frame Assy.-Retard	1	1	2	4	
Case-Cassette-Assy.-760	G	43963101	Spring-Retard	1	1	1	1	

Frame Assy.-MPT



Unit Name	No.	Part No.	Part Name	Q'ty /Unit	Recommended Q'ty/Year			Remarks
					per 500	per 1000	per 2000	
Frame-Assy-MPT	1	43922401	Frame Assy.-Separator	1	1	1	1	
Frame-Assy-MPT	2	44009301	Spring-Separator	1	1	1	1	
Frame-Assy-MPT	3	43417901	Roller-Assy.-Pickup	1	1	1	1	
Frame-Assy-MPT	4	43922301	Roller-Assy-MPT	1	1	1	1	

Frame-Assy-OP (C532)



Unit Name	No.	Part No.	Part Name	Q'ty /Unit	Recommended Q'ty/Year			Remarks
					per 500	per 1000	per 2000	
Cover-OP-Assy	1	46132701	Cover-OP-Top	1	1	1	1	
Cover-OP-Assy	2		GWMS8915	1	1	1	1	2.4inch LCD(Graphic panel)
Cover-OP-Assy	3	46211701	FFC-Opepanel-Bend	1	1	1	1	
Cover-OP-Assy	4	46095501	OR-Board-76P	1	1	1	1	
Cover-OP-Assy	5		Cover-OP(Front)	1	1	1	1	Same as No.4 of Frame-Assy-OP-7Inch SFP