

C3600

Spare Parts

Illustration Manual

103008A

Copyright © 2008 by Oki Data. All Rights Reserved

Oki Data America's, Inc. ("Oki Data"), authorizes you to view, copy, and print documents published by Oki Data for noncommercial use within your organization only. In consideration of this authorization, you agree and acknowledge that any copy of these documents shall retain all copyright and proprietary rights contained herein. Each document published by Oki Data may contain additional copyright information and proprietary notification relating to that individual document.

Nothing contained herein shall be construed as conferring by estoppel, implication or otherwise any license or right under any patent or trademark of Oki Data, Oki Electric Industry Co., Ltd. ("Oki Electric"), or any third party. Except as provided above nothing contained herein shall be construed as conferring any license or right under any Oki Data copyright.

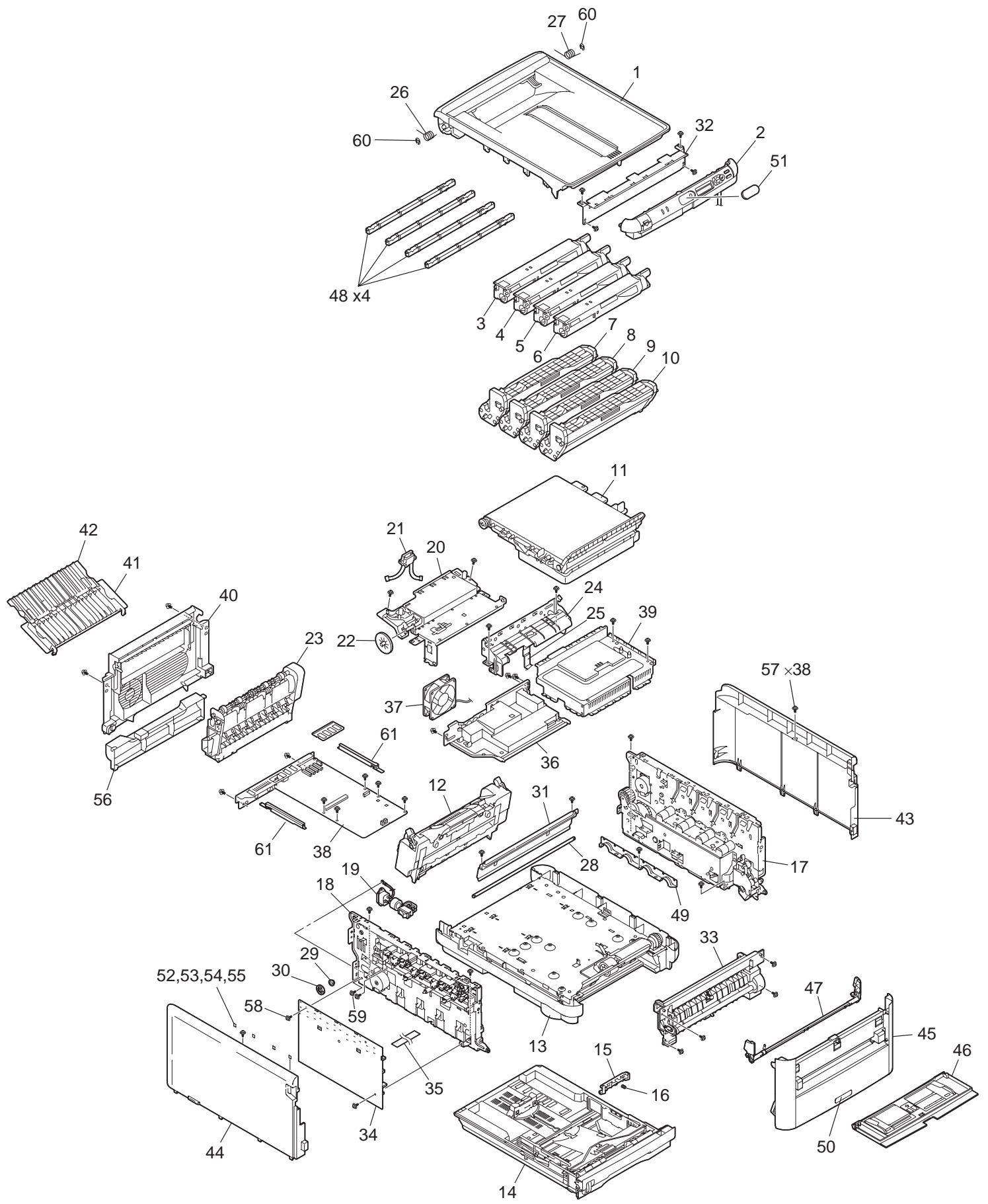
Oki Data has taken care to insure that the information which follows is complete, accurate and up-to-date. However, Oki Data assumes no responsibility for errors or omissions which may occur. All the information provided is subject to change from time to time at the sole discretion of Oki Data.

All publications may include technical inaccuracies or typographical errors. We reserve the right to make periodic changes, additions, and deletions to publications without notice.

The most up-to-date drivers and manuals are available from the web site:

<http://www.okiprintingsolutions.com>

Parts Layout



Parts Layout

No.	Part No.	Part Name	Remarks	Qty / Unit
1		Cover-Assy.-Top(PX742)		1
2	44005602	Frame-Assy.-OP(PX732)		1
3		Toner-CartridgeTypeC9 C		1
4		Toner-CartridgeTypeC9 M		1
5		Toner-CartridgeTypeC9 Y		1
6		Toner-CartridgeTypeC9 K		1
7		ID unit-Type C9 ODA/C		1
8		ID unit-Type C9 ODA/M		1
9		ID unit-Type C9 ODA/Y		1
10		ID unit-Type C9 ODA/K		1
11	43378001	Transfer Belt Unit		1
12	43377001	Fuser Unit	C3600 ODA(120V) Pack in box	1
12	43377002	PX732n Fuser Unit(ODA_230W)	C3600 ODA(230V) Pack in box	1
13		Plate Assy.-Base		1
14	43192602	Cassette Assy		1
15	42088801	Frame-Separation-Assy.		1
16	42089001	Spring-Separation		1
17		Plate Assy-Side-R(PX732n)		1
18		Plate Assy-Side-L(PX732)		1
19		ACINLET-SW-JST3P	ACINLET-SWCord	1
20		Plate-Shield-Rear(Caulking)		1
21	43361901	CONN Cord-HRS12P-JST3P-MOLEX10P	HeaterAC/IFCord	1
22	42062401	Gear-Idle-Belt(Z20-121)		1
23	43206103	Eject Assy.(PX742)		1
24	43204101	Sensor Assy.-Color-Regist(PX732)		1
25		SMCD-17-210BD(1.0)	RearSensor_FFC	1
26		Spring-Torsion (L)		1
27		Spring-Torsion (R)		1
28		Shaft-Liftup		1
29		Bush		1
30	42066701	Gear-Planet-UP-L		1
31		Plate-Heat		1
32		Plate-Front		1
33	43209301	Feeder-Assy.-Regist		1
34	43035201	PWR unit-High Voltage Purchase spec.	HighVoltage	1
35		SMCD-12-180BD(1.0) CONN PAR-	HighVoltage_FFC	1
36	43035301	PWR unit-ACDC Switch Purchase spec.	100V	1
36	43505401	PWR unit-ACDC Switch	230V	1
37	43198901	Motor-FAN (80)	FUSER	1
38	43823101	PCB-Assy.-TB3 Maintenance Spec.	C3600 Board-PUCU ODA, OEL, AOS	1
39		Plate-Shield-Front(n)		1
40		Cover-Rear		1
41	43215301	Cover-FaceUP		1

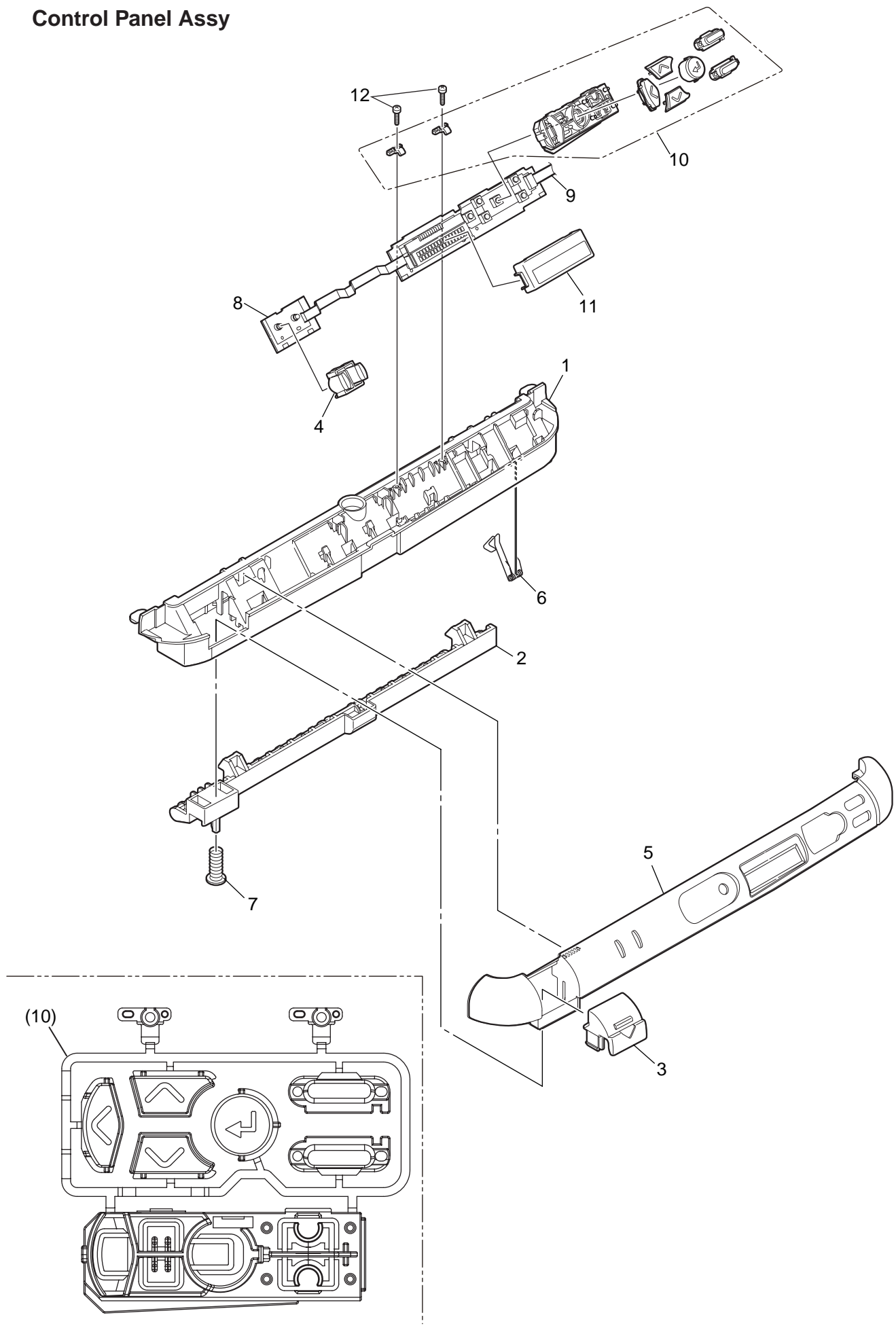
Parts Layout

42	43215401	Cover-FaceUP-Sub		1
43		Cover-Side(R)		1
44		Cover-Side(L)		1
45		Cover-Front		1
46	43210701	Cover-Assy.-Manualfeed	C3600 ODA, OEL, AOS	1
47		Lever-Assy.-Front-Lock	600DPI	1
48	43295201	LED Head Unit-51STA		4
49		Plate-Lockout-ID		1
50		Plate-name 742n	C3600 ODA, OEL, AOS	1
51		Plate-Logo		1
52		Label-Color	K	1
53		Label-Color	Y	1
54		Label-Color	M	1
55		Label-Color	C	1
56		Cover-Rear-Bottom		1
57		Cup_Screw (S Tight M3)		38
58		TappingScrew-B2 L=8		1
59		Screw (SW+2W)		1
60		Ring		2
61		Guide-CU		2

Top Cover Assy

No.	Part No.	Part Name	Remarks	Qty / Unit
1		Plate-Inner(Caulking)		1
2	43214801	Lever-Stack-L		1
3	43214901	Lever-Stack-R		1
4		Film-Insulator		1
5		Plate-Shield-RFID		1
6	43508801	RFID-UNIT Assy.-(Maintenance)	Board-RFID R/W	1
7		Holder-RFID		1
8		Cover-RFID		4
9		Cover-RFID-Sub		4
10		Spring-RFID		4
11		Holder-Head (SH)		4
12		Plate-FG-Head-L(SH)		4
13		Plate-FG-Head-R(SH)		4
14		Spring-Head		8
15		Push-Nut(SPN-2.6 A.C.P)		8
16	43213301	Cable-Assy.-Head	LED-HEAD-FFC RFID-FFC	1
17		Cover-Top		1
18		Cover-Top(Sub)		1
19		Spring-Torsion(Sub)		1
20		Cover-Hinge(L)		1
21		Cover-Hinge(R)		1
22		Holder-SP(Inner)		1
23		Spring-Compression(ID)		4
24		TappingScrew-B2 L=8		9
25		Cup_Screw (S Tight M3)		2
26		Brush-Discharge		1

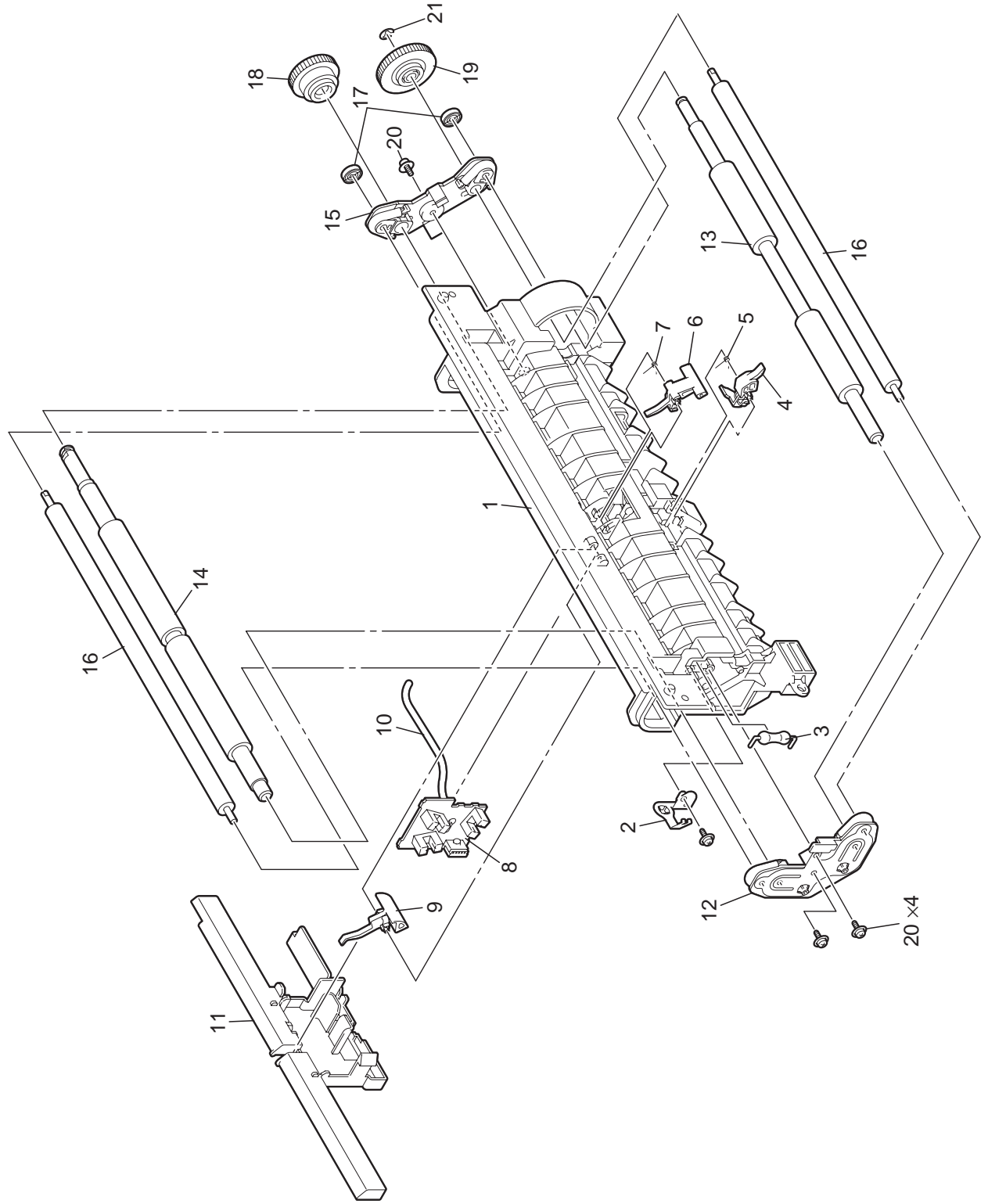
Control Panel Assy



Control Panel Assy

No.	Part No.	Part Name	Remarks	Qty / Unit
1		Frame-OP-Panel		1
2		Lever-Lock(Top)		1
3		Button-Lock		1
4		Lens-LED		1
5		Cover-OP-Panel		1
6		Spring-Torsion(FG)		1
7		Spring-Compression(Lock)		1
8		OR-PX742OPE (Cyrille)		1
9		SMCD-7-400BD(1.0)		1
10		Button-Key		1
11		Cover-LCD		1
12		Screw-Tapping_T2P2		2

Feeder Unit



Feeder Unit

No.	Part No.	Part Name	Remarks	Qty / Unit
1		Frame-Feed		1
2		Plate-Earth-F		1
3		OR-RES-High-Voltage-Z		1
4	42070701	Lever-IN1		1
5	42979401	Spring-IN1		1
6	42070801	Lever-IN2		1
7	43153101	Spring-IN2		1
8	43135401	OR-Board-MIP	Board-FrontSensor	1
9	42070901	Lever-WR		1
10	43361401	CONN Cord-AMP5P-AMP5P	FrontSensorCord	1
11		Cover-SNS		1
12		Holder Assy.-Regist-L		1
13	43210001	Roller-Regist-L		1
14	43210101	Roller-Regist-U		1
15		Holder Assy.-Regist-R		1
16		Roller-Pressure		2
17	42072201	Gear-Puressure		2
18	42072301	Gear-Regist-U(24-45)		1
19	43210501	Gear-Regist-L(24-54)		1
20		TappingScrew-B2 L=8		4
21		Ring		1

Plate Assy Side R

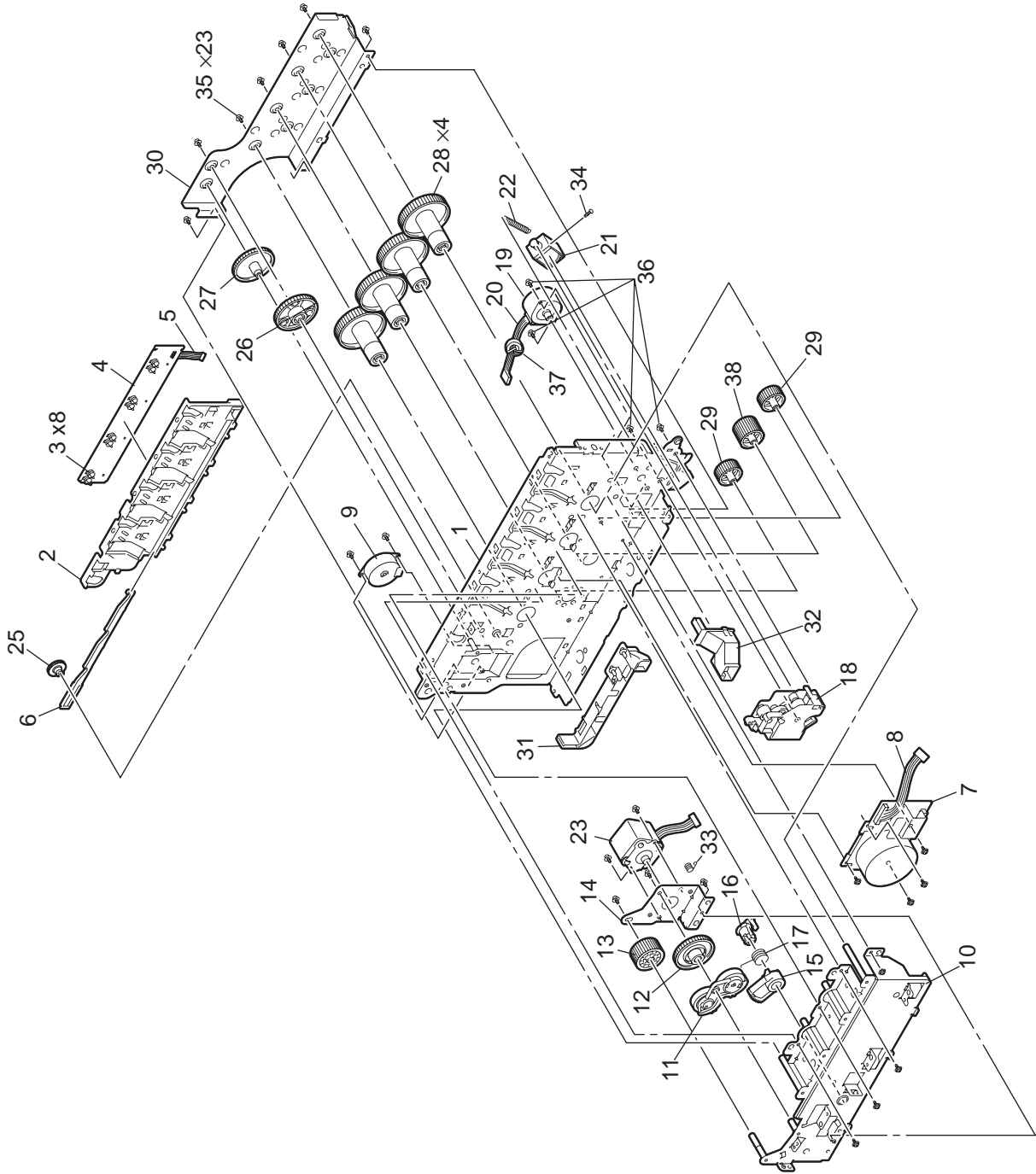


Plate Assy Side R

No.	Part No.	Part Name	Remarks	Qty / Unit
1		Plate-Side-R(Caulking)		1
2		Cover-Plate-R		1
3	43194801	Spring-Contact-TL		8
4	43614901	OR-Board-PRS	Board-TonerSensor	1
5		SMCD-10-280BD(1.0) CONN PAR-	TonerSensor_FFC	1
6		Link-LiftUp-R		1
7	43195101	Motor-DC-ID-M58		1
8	43361601	CONN Cord-AMP10P-AMP10P	DC-IDMotorCord	1
9	43353101	OR-Motor-Pulse-Liftup		1
10		Bracket-Inner (Caulking)		1
11	43196201	Gear-Assy.-Planet	Fuser周辺	1
12	43196601	Gear-Idle-Heat(Z14-102)	Fuser周辺	1
13	43196701	Gear-Idle-Z35	Fuser周辺	1
14		Bracket-Inner-sub		1
15	43197001	Gear-Shutter		1
16	43199201	Boss-Inner		1
17	43199301	Spring-Detent		1
18	43197301	Gear_Assy-HP		1
19	43353001	OR-Motor-Pulse-HOP		1
20	43361501	CONN Cord-AMP4P-AMP4P	HoppingMotorCord	1
21	42058303	Solenoid		1
22		Spring-Solenoid		1
23	43197801	Motor-Pulse-Fuser		1
25		Gear-Planet-UP-R		1
26	43197901	Gear-LiftUp-Z24Z90		1
27	43198001	Gear-LiftUp-Z18-Z105		1
28	43198101	Gear-Idle-DrumZ24-117		4
29	43198201	Gear-Idle-Z55		2
30		Bracket-Outer		1
31		Guide-Cable-R		1
32		Guide-Cable-F		1
33		Spring-Contact-HBM		1
34		Screw-PSW3		1
35		Cup_Screw (S Tight M3)		23
36		TappingScrew-B2 L=8		4
37		TR-14.5-10-8 Core-	Toroidalcore	1
38	43620901	Gear-Idle-Z55L		1

Plate Assy Side L

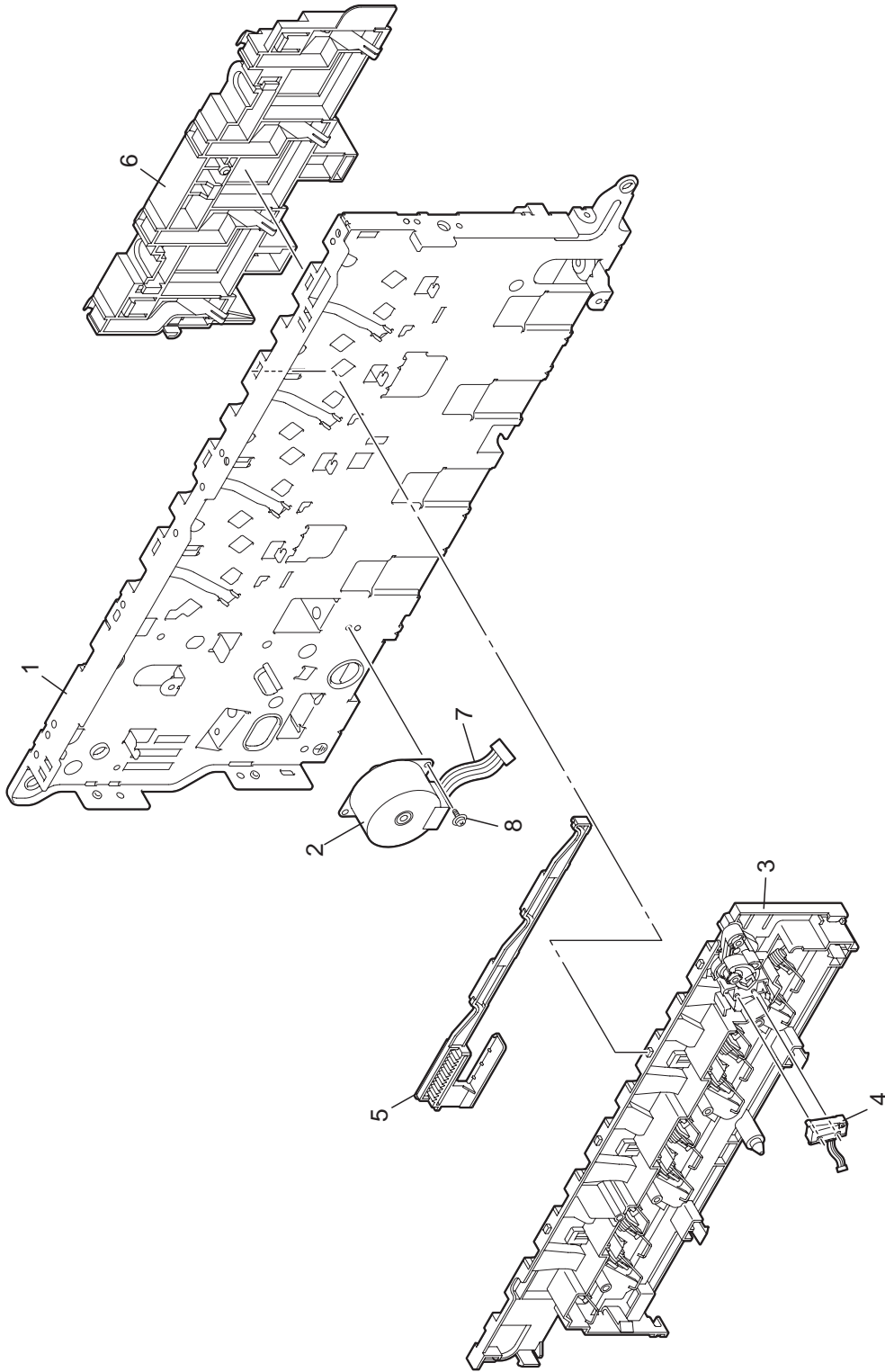
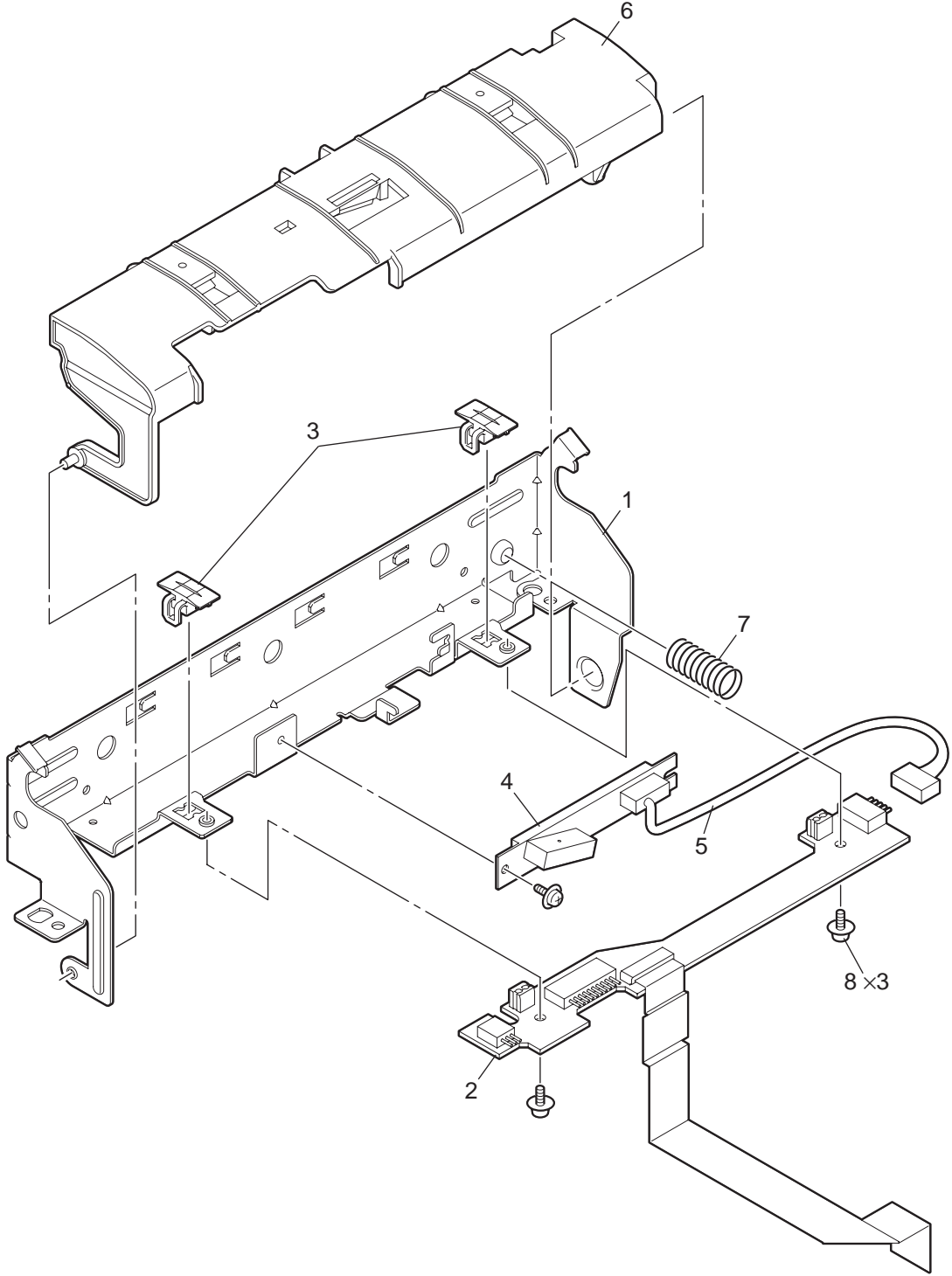


Plate Assy Side L

No.	Part No.	Part Name	Remarks	Qty / Unit
1		Plate_Side-L		1
2	43352901	OR-Motor-Pulse-Belt		1
3		Cover-Ass.-Plate-L		1
4	43415601	Microswitch Assy.-PX732	CoverOpenSwitchAssy	1
5	43201001	Link-LiftUp-L		1
6		Frame-Ass-Cont-TR		1
7	43361502	CONN Cord-AMP4P-AMP4P	BeltMotorCord	1
8		Cup_Screw (S Tight M3)		1

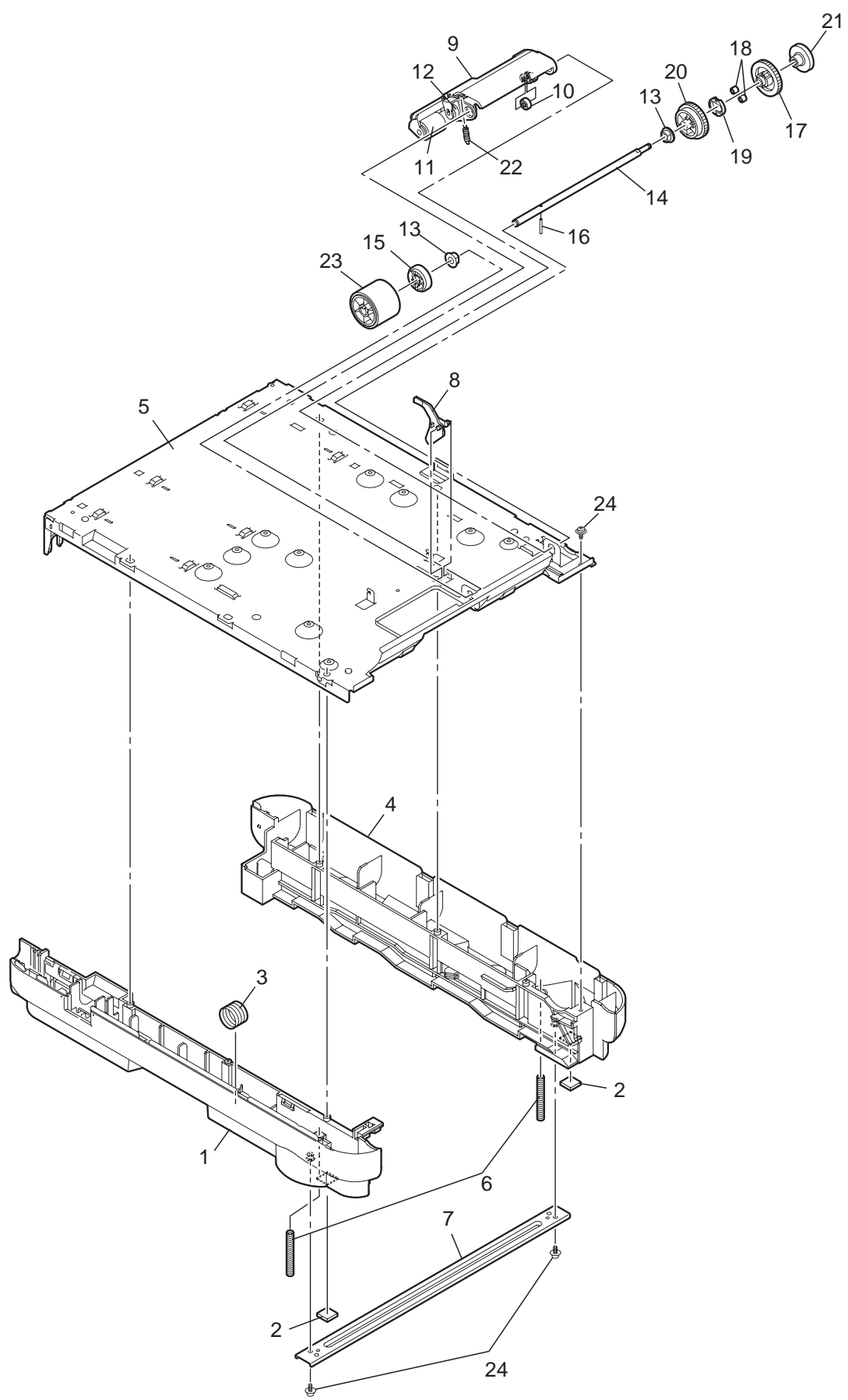
Sensor Assy Color Registration



Sensor Assy Color Registration

No.	Part No.	Part Name	Remarks	Qty / Unit
1		Plate-Sensor-C.Regist		1
2	43135301	OR-Board-ZAK	Board-RearSensor	1
3		Plate-Guard-Sensor		2
4		GP2TC2J000F	DensitySensor	1
5	43361701	CONN Cord- MOLEX5P-MOLEX5P	DensitySensorCord	1
6		Cover-C.Regist(Adhesive)		1
7		Spring-Cover-Sensor		1
8		Cup_Screw (S Tight M3)		3

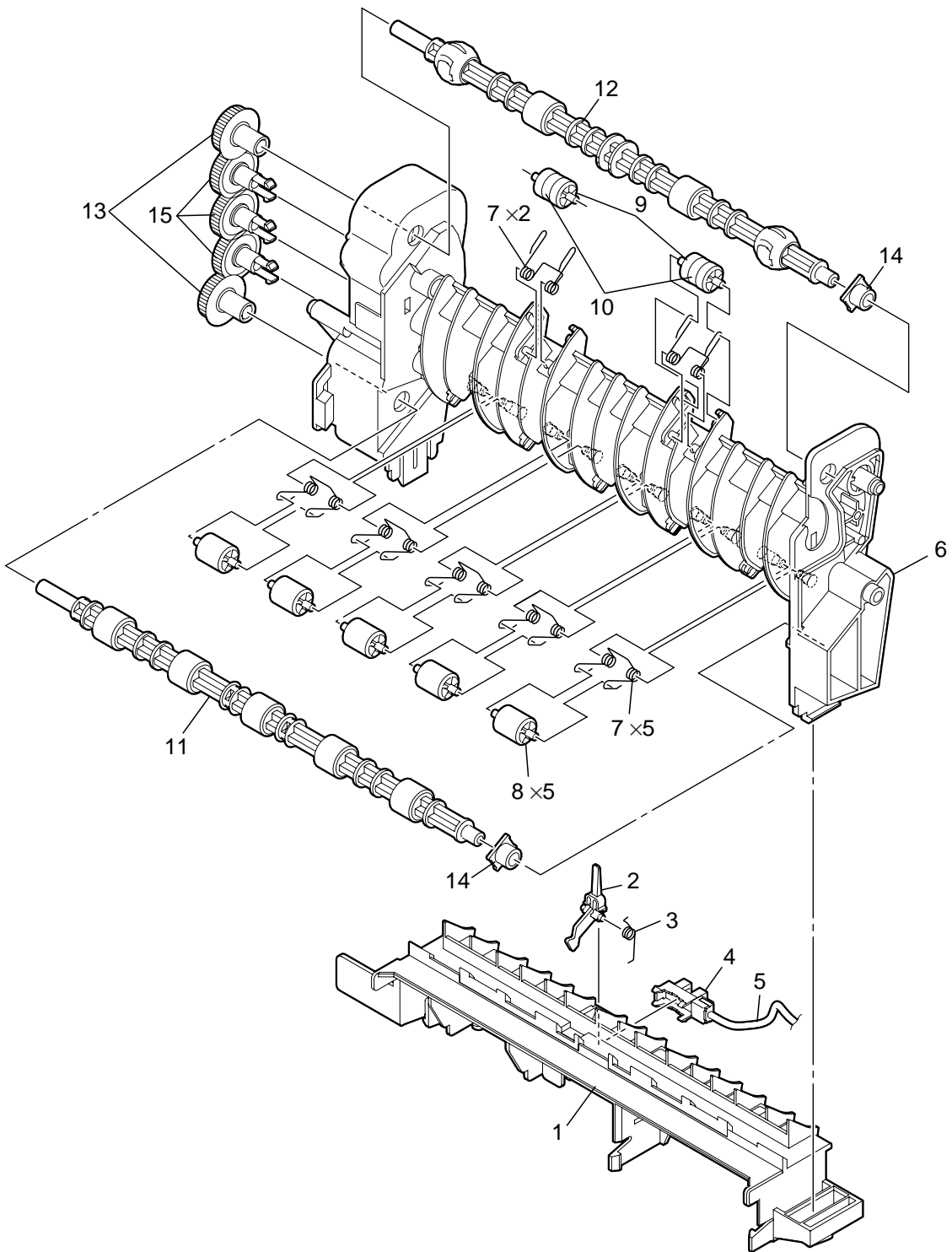
Base Assy



Base Assy

No.	Part No.	Part Name	Remarks	Qty / Unit
1		Guide-Cassette-L		1
2		Rubber-Foot		2
3		Spring-Lock-Cassette		1
4		Guide-Cassette-R		1
5		Plate-Base		1
6		Spring-Earth		2
7		Plate-Beam		1
8	43176501	Lever-End		1
9	43177001	Bracket-Sub		1
10	43177101	Roller-Follower		1
11	43334801	Roller Assy.-Sub		1
12	42052001	Gear-Planet(Z20)-HP		1
13	43526601	Bush		2
14		Shaft-Hopping		1
15	42052301	Gear-Hopping(Z38)-HP		1
16		Pin		1
17	42050801	Stopper-HP		1
18	42051001	Gear-Planet(Z12)-HP		2
19	42050901	Holder-Planet-HP		1
20	42051201	Stopper-Z45-48-HP		1
21	42051101	Gear-Z24-50-HP		1
22		Spring-Sub		1
23	43334901	Roller Assy.-Hopping		1
24		TappingScrew-B2 L=8		3

Eject Assy



Eject Assy

No.	Part No.	Part Name	Remarks	Qty / Unit
1		Guide-Eject-Lower		1
2	43206401	Lever-Eject-Sensor		1
3	40386501	Spring-SNS(F/R)		1
4	40135301	Photo-Interrupter	ExitSensor	1
5	43361801	CONN Cord-AMP3P-AMP3P	ExitSensorCord	1
6		Guide-Eject-Upper		1
7		Spring-Torsion-Eject		7
8	43222001	Roller-BIAS-FU		5
9	43222101	Roller-BIAS-FD		2
10	43649701	Sponge-Roller-FD		2
11	43206901	Shaft Assy.-Eject (FU)		1
12	43207201	Shaft Assy.-Eject (FD)		1
13	43207301	Gear-Idle-Exit(Z19)		2
14	43222601	Bearing-Eject		2
15	43222701	Gear-Idle-Exit(Z21)		3