

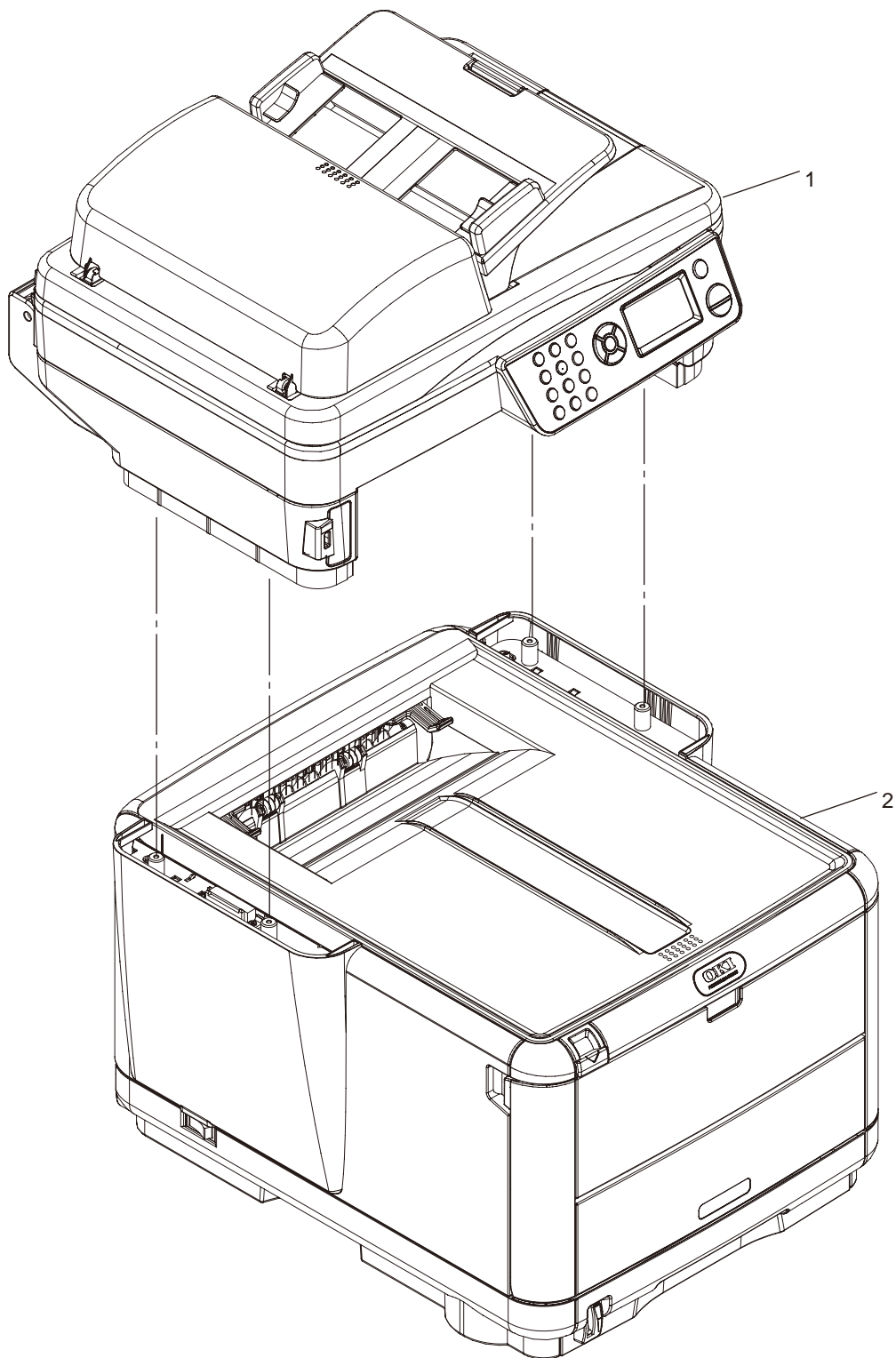
C3530/MC360MFP

Spare Parts

Illustration Manual

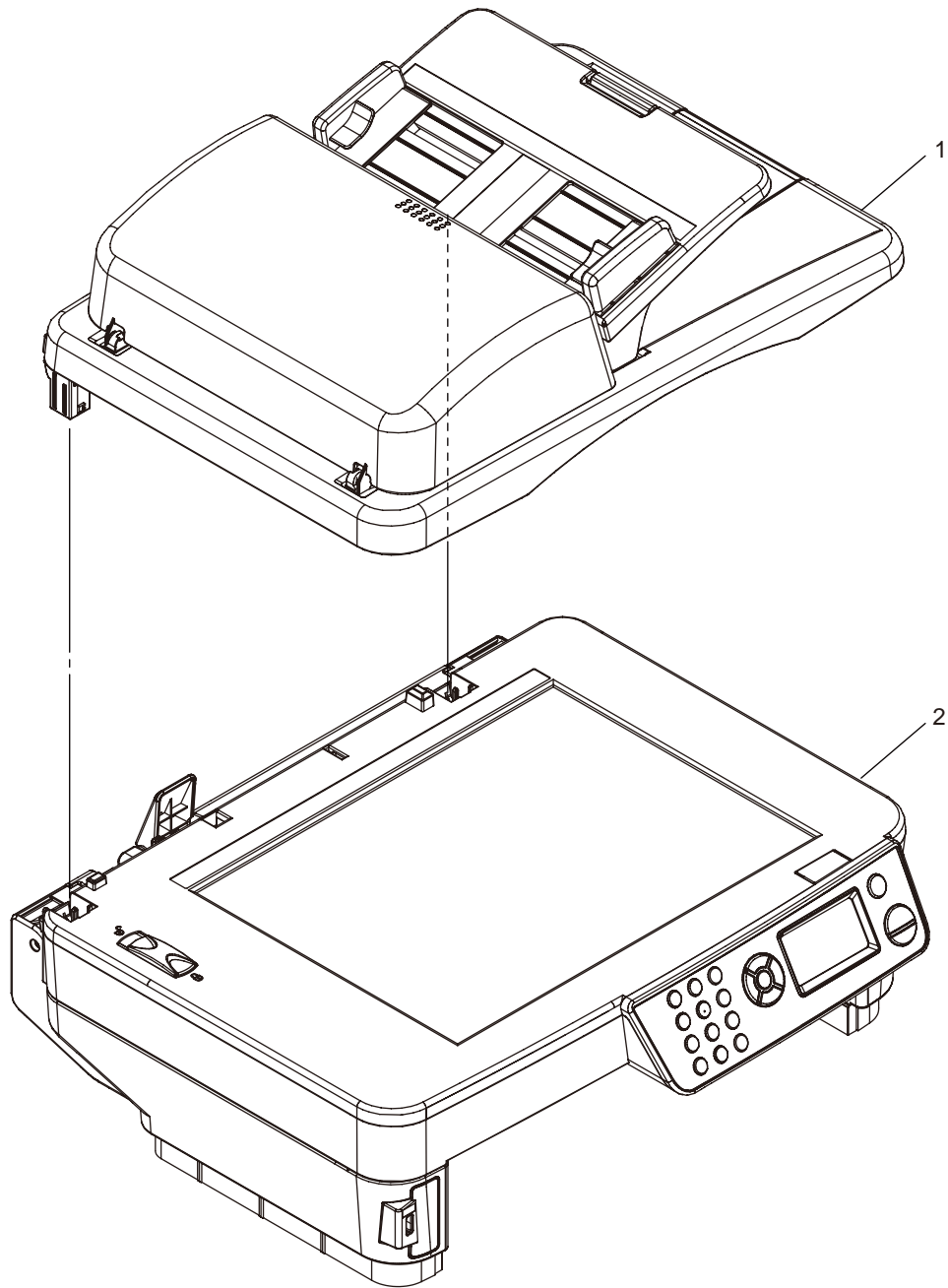
031412E

C3530 MFP / MC360MFP



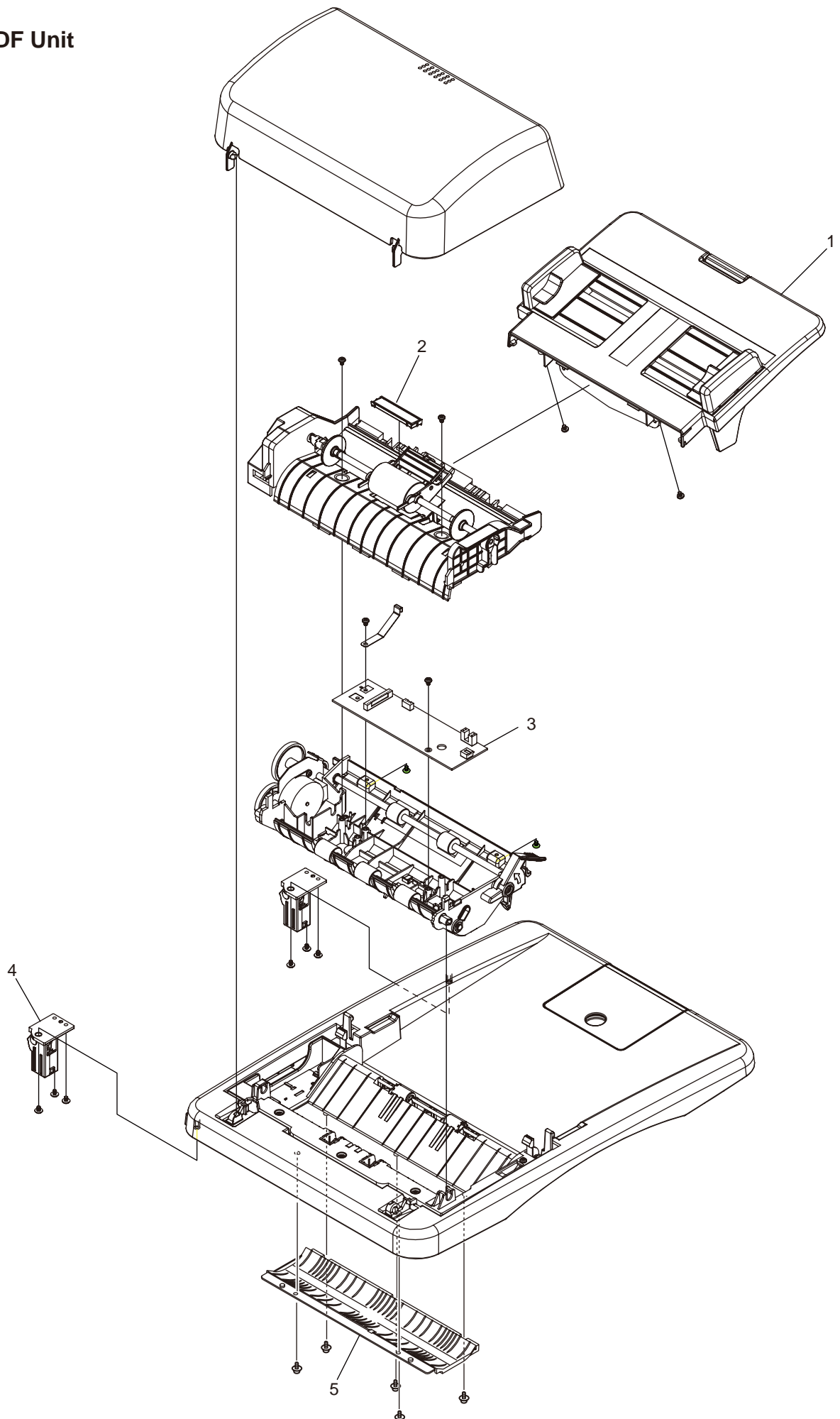
No.	Part No.	Part Name	Q'ty /Unit	Remarks
1		C3530 Scanner	1	
1		MC360 Scanner	1	
2		C3530 Printer Unit	1	
2		MC360 Printer Unit	1	

Scanner Unit



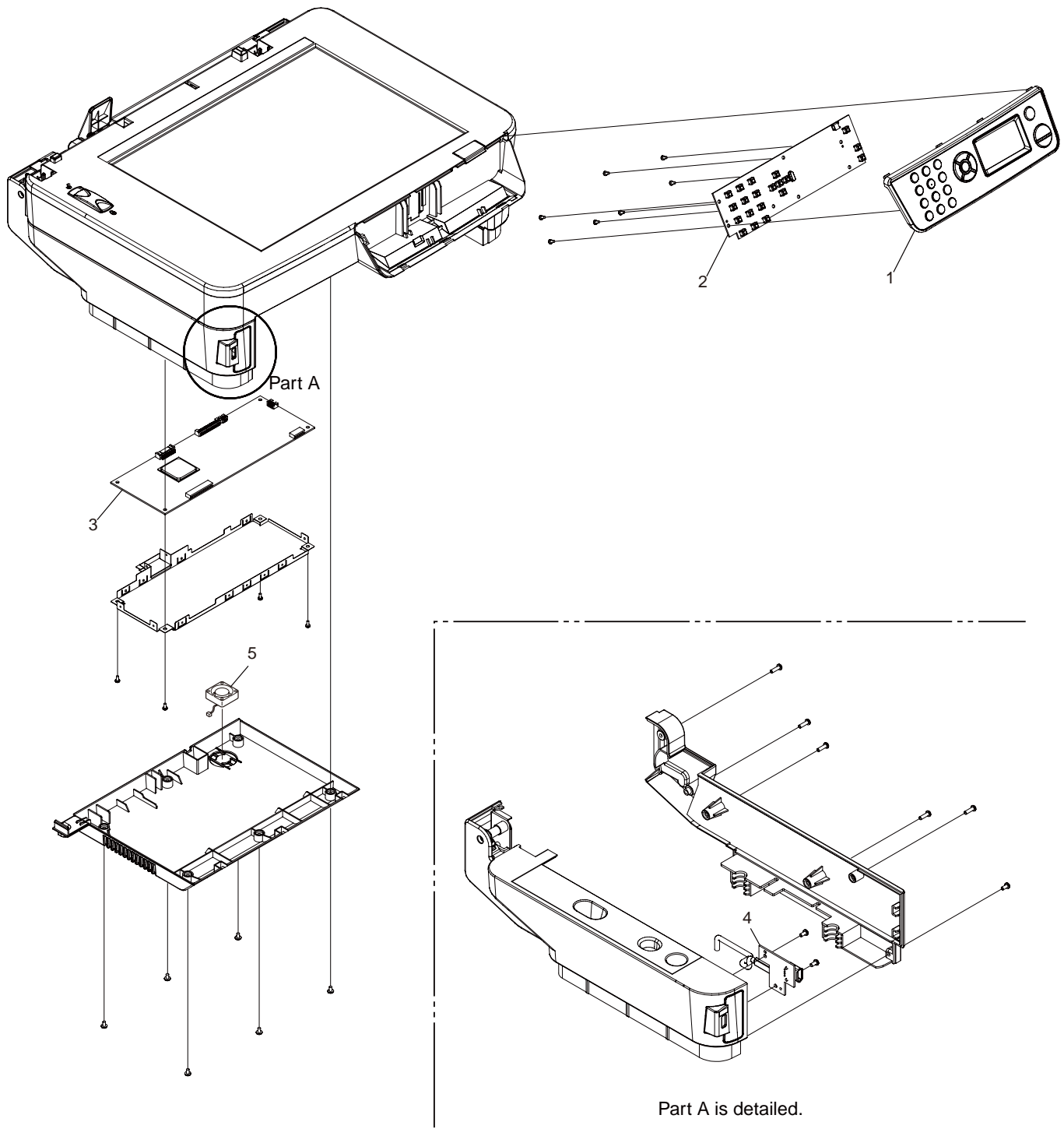
No.	Part No.	Part Name	Q'ty /Unit	Remarks
1	43725201	ADF Unit	1	C3530/MC360
2	43725301	Flatbed Unit	1	C3530MFP
2	43725304	Flatbed Unit	1	MC360MFP

ADF Unit



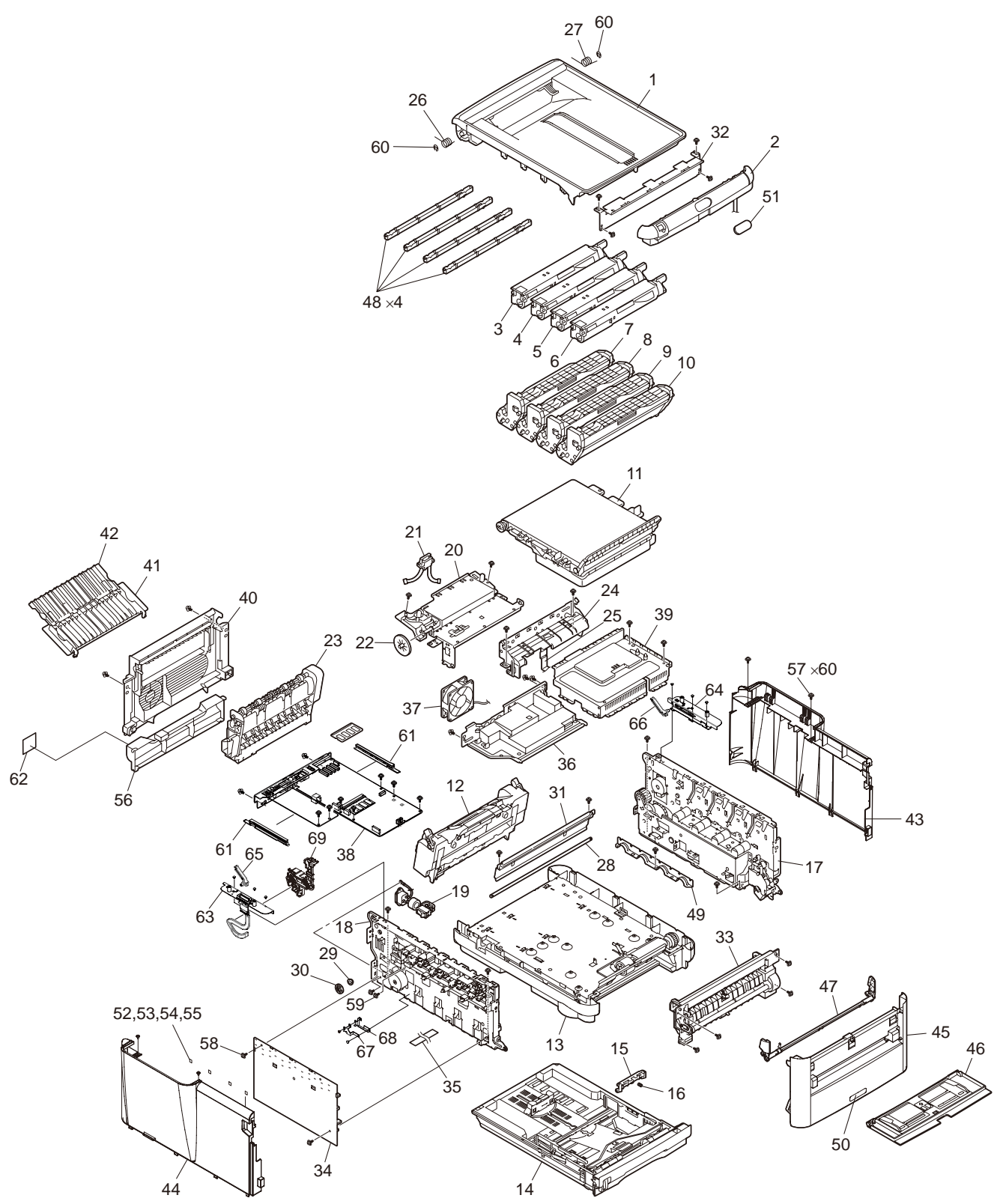
No.	Part No.	Part Name	Q'ty /Unit	Remarks
1	43725401	Paper Tray Assy	1	
2	43725501	Pad up Assy	1	
3		ADF PCBA	1	
4	43725701	ADF Hinge	2	
5		Assy ADF Window	1	

Flatbed Unit



No.	Part No.	Part Name	Q'ty /Unit	Remarks
1	43725801	OP Panel Assy	1	
2	43725901	OP Panel PCBA	1	
3	43726001	Main PCBA	1	C3530MFP
3	43726002	Main PCBA	1	MC360MFP
4	43726101	USB Board	1	
5		Fan Assy	1	

Printer Unit

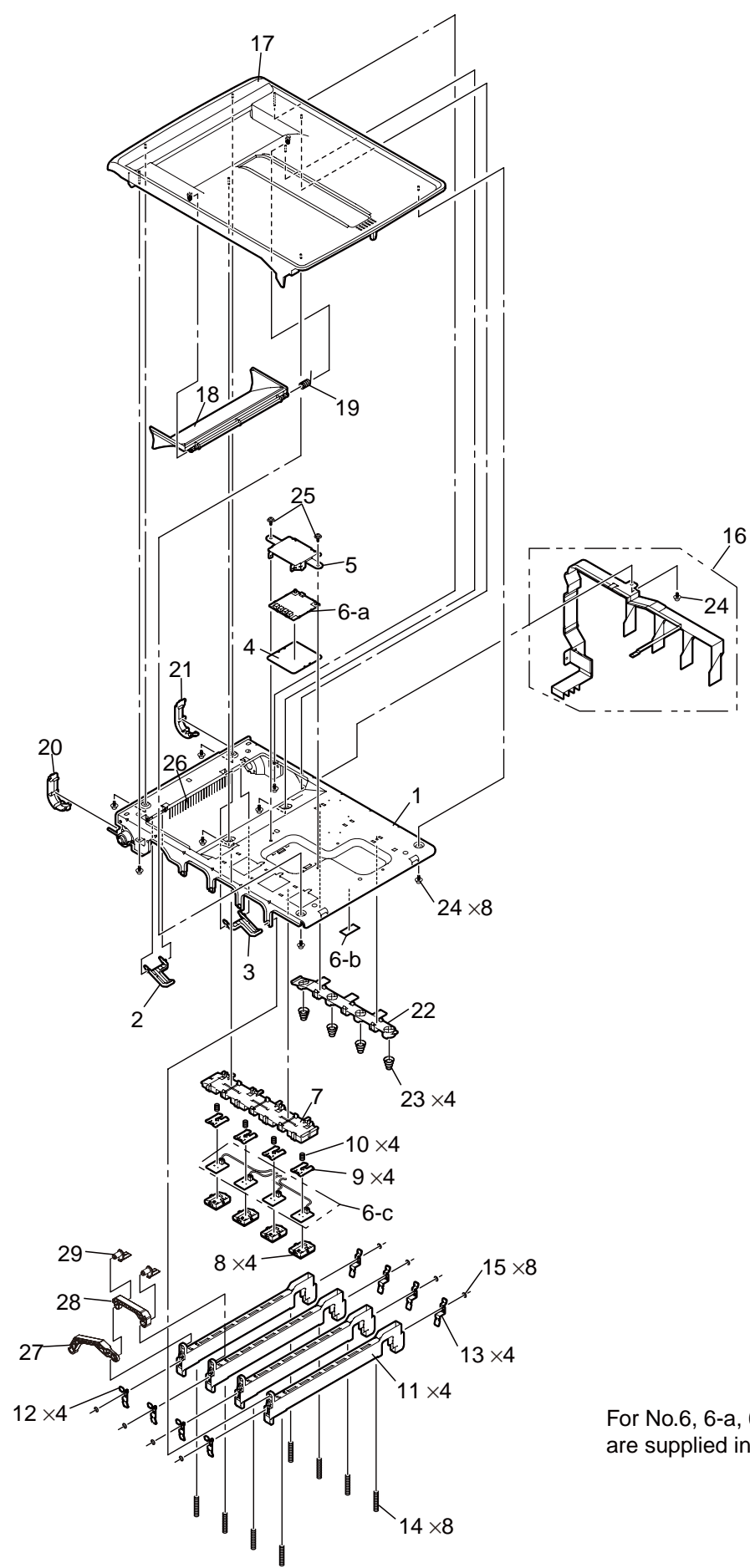


No.	Part No.	Part Name	Q'ty /Unit	Remarks
1		Cover Assy. Top	1	C3530MFP/MC360
2	43208104	Frame Assy. OP	1	
3		Toner-CartridgeTypeC9	1	
4		Toner-CartridgeTypeC9	1	
5		Toner-CartridgeTypeC9	1	
6		Toner-CartridgeTypeC9	1	
7		ID unit-Type C9 ODA/C	1	
8		ID unit-Type C9 ODA/M	1	
9		ID unit-Type C9 ODA/Y	1	
10		ID unit-Type C9 ODA/K	1	
11		PX732 Belt Unit(ODA)	1	
12	43377001	PX732n Fuser Unit(ODA_120V	1	
12		PX732n Fuser Unit(ODA_230V	1	
13		Frame Assy-Base(PX732)	1	
14	43192601	Cassette-Assy	1	
15	42088801	Frame-Separation-Assy.	1	
16		Spring-Separation	1	
17		Plate Assy-Side-R(PX732n)	1	C3530MFP/MC360
18		Plate Assy-Side-L(PX732)	1	
19		ACINLET-MFP-SW-JST3P	1	ACINLET-SWCord
20		Plate-Shield-Rear(Caulking)	1	
21		CONN Cord-HRS12P-JST3P-M	1	HeaterAC/IFCord
22		Gear-Idle-Belt(Z20-121)	1	
23	43206101	Eject Assy.(PX732)	1	C3530MFP/MC360
24		Sensor Assy.-Color-Regist(PX7	1	
25		SMCD-17-210BD(1.0)	1	RearSensor_FFC
26		Spring-Torsion(L)	1	
27		Spring-Torsion(R)	1	
28		Shaft-Liftup	1	

No.	Part No.	Part Name	Q'ty /Unit	Remarks
29		Bush	1	
30		Gear-Planet-UP-L	1	
31		Plate-Heat	1	
32		Plate-Front	1	
33	43209301	Feeder-Assy.-Regist	1	
34	43035201	PWR unit-High Voltage Purcha	1	HighVoltage
35		SMCD-12-180BD(1.0)	1	HighVoltage_FFC
36	43405801	PWR unit-ACDC Switch	1	100V
36	43966401	PWR unit-ACDC Switch	1	200V
37	43198901	Motor-FAN(80)	1	FUSER
38	43611102	Board Assy- CUPU	1	C3530MFP
38	43611106	Board Assy- CUPU	1	MC360MFP
39		Plate-Assy.-Shield-Front	1	
40		Cover-Rear	1	
41	43215301	Cover-FaceUP	1	
42	43215401	Cover-FaceUP-Sub	1	
43		Cover-Side-R(MFP)	1	
44		Cover-Side-L(MFP)	1	
45		Cover-Front	1	
46	43210701	Cover-Assy.-ManualFeed	1	
47		Lever-Assy.-Front-Lock	1	600DPI
48	43295201	LED Head Unit-51STA	4	
49		Plate-Lockout-ID	1	
50		Plate-name(C3530MFP)	1	C3530MFP
50		Plate-name(MC360)	1	MC360
51		Plate-Logo	1	
52		Label-Color K	1	K
53		Label-Color Y	1	Y
54		Label-Color M	1	M

No.	Part No.	Part Name	Q'ty /Unit	Remarks
55		Label-Color C	1	C
56		Cover-Rear-Bottom	1	
57		Cup_Screw (S Tight M3)	60	
58		TappingScrew-B2 L=8	1	
59		Screw (SW+2W)	1	
60		Ring	2	
61		Guide-CU	2	
62		Label-FAX	1	
63	43420302	Stay-Guide-L-Assy(L)	1	
64		Stay-Guide-R-Assy	1	
65		Stay-Arm-L	1	
66		Stay-Arm-R	1	
67		Shield-Clamp	1	
68		Shield-Clamp-Base	1	
69		Guide-Cable	1	

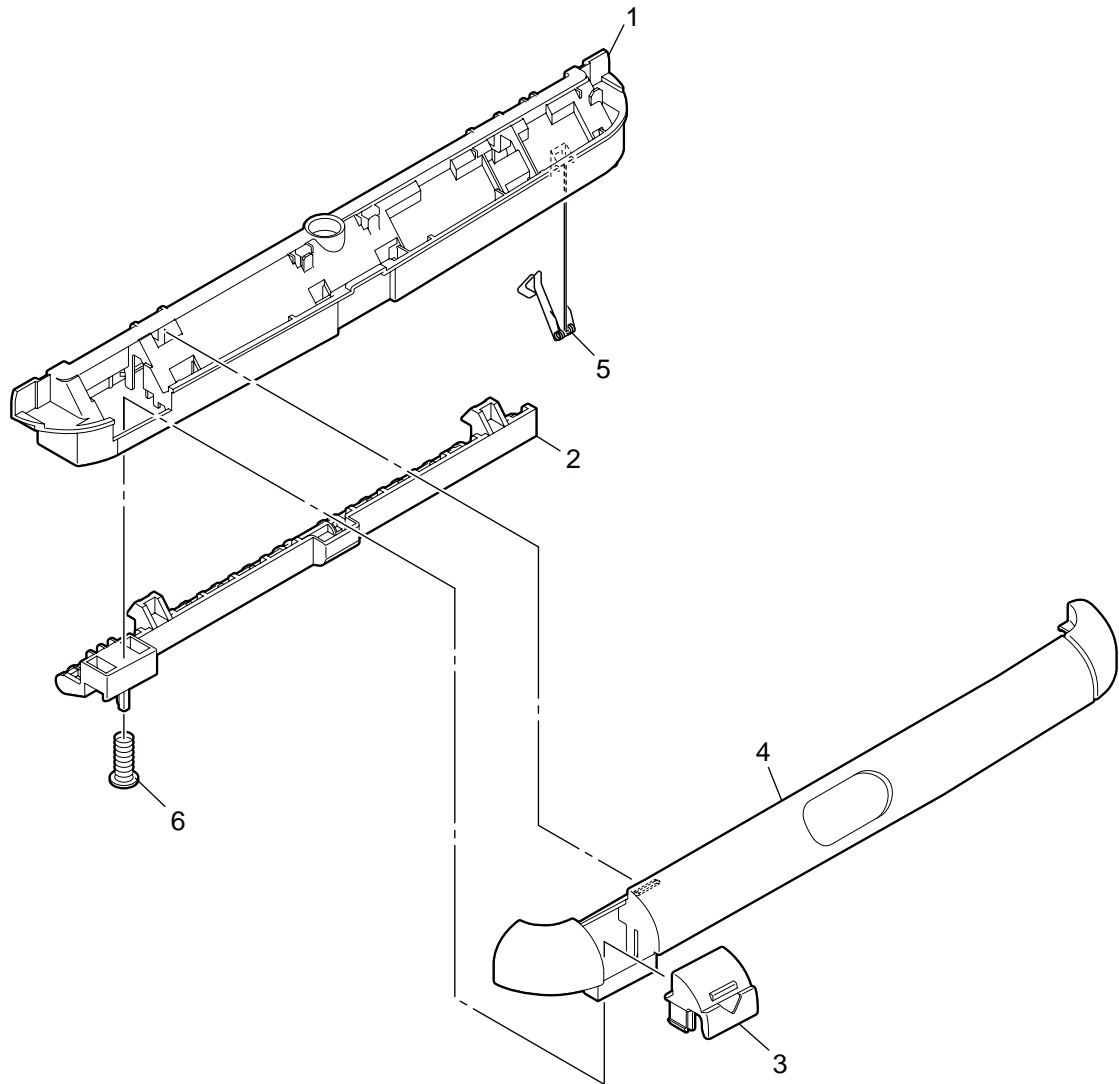
Cover Assy. Top



For No.6, 6-a, 6-b and 6-c are supplied in one set.

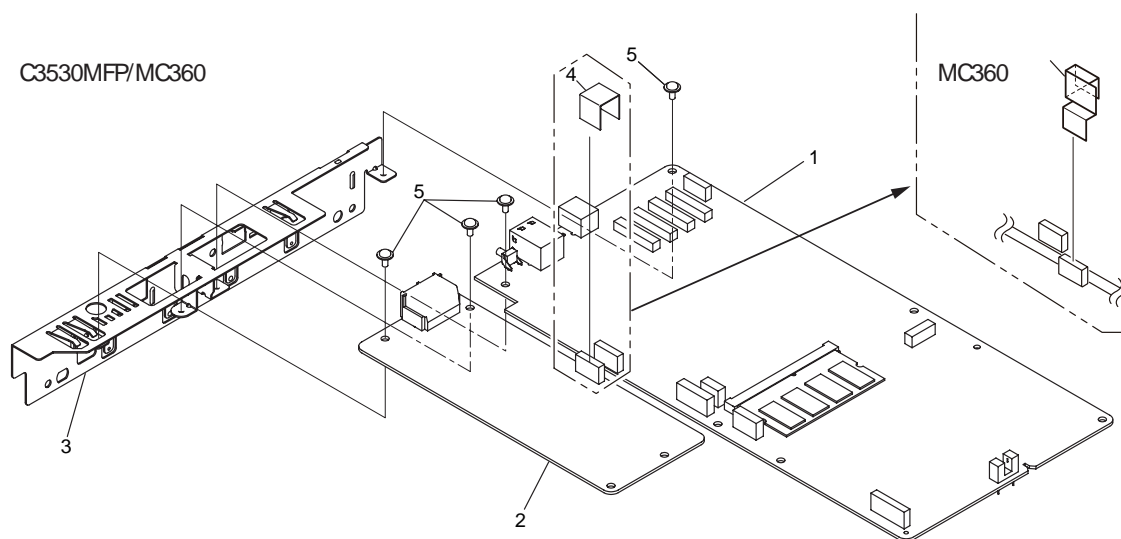
No.	Part No.	Part Name	Q'ty /Unit	Remarks
1		Plate-Inner(Caulking)	1	
2	43214801	Lever-Stack-L	1	C3530MFP/MC360
3	43214901	Lever-Stack-R	1	C3530MFP/MC360
4		Film-Insulator	1	
5		Plate-Shield-RFID	1	
6	43508801	RFID-UNIT Assy.-(Maintenance)	1	Board-RFIDR/W
7		Holder-RFID	1	
8		Cover-RFID	4	
9		Cover-RFID-Sub	4	
10		Spring-RFID	4	
11	43212901	Holder-Head(SH)	4	
12		Plate-FG-Head-L(SH)	4	
13		Plate-FG-Head-R(SH)	4	
14	43213201	Spring-Head	8	
15		Push-Nut(SPN-2.6 A.C.P)	8	
16	43213301	Cable-Assy.-Head	1	LED-HEAD-FFC RFID-FFC
17		Cover-Top	1	
18		Cover-Top(Sub)	1	
19		Spring-Torsion(Sub)	1	
20		Cover-Hinge(L)	1	
21		Cover-Hinge(R)	1	
22		Holder-SP(Inner)	1	
23		Spring-Compression(ID)	4	
24		TappingScrew-B2 L=8	9	
25		Cup_Screw (S Tight M3)	2	
26		Brush-Discharge	1	
27		Link-Arm	1	
28		Link-Head	1	
29		Holder-Post	2	

Frame Assy. OP



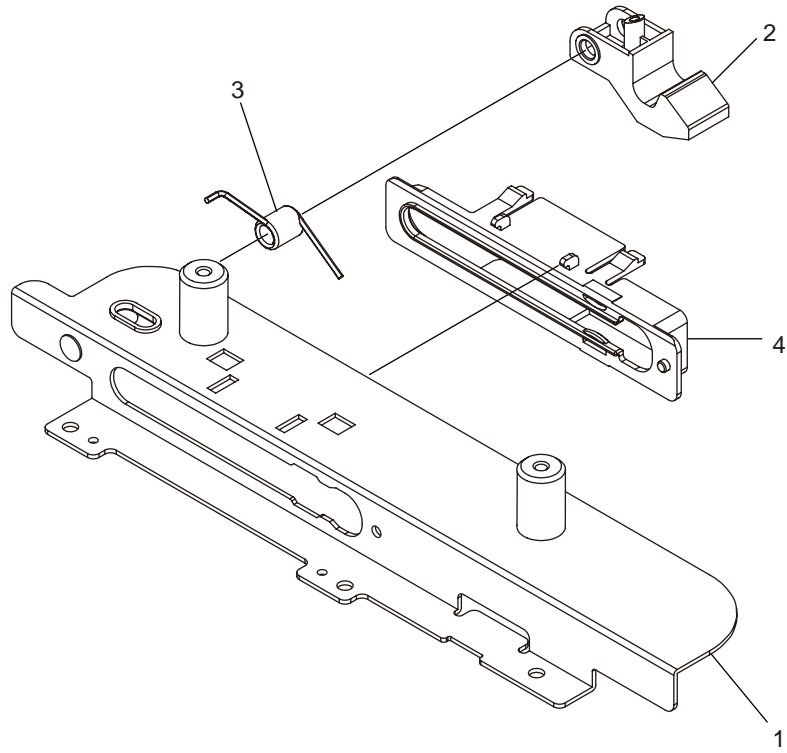
No.	Part No.	Part Name	Q'ty /Unit	Remarks
1		Frame-OP-Panel	1	
2		Lever-Lock(Top)	1	
3	43208601	Button-Lock	1	
4	43421901	Cover-Op-Pannel(MFP)	1	
5	43198801	Spring-Torsion(FG)	1	
6	42067801	Spring-Compression(Lock)	1	

Board Assy CU -PU



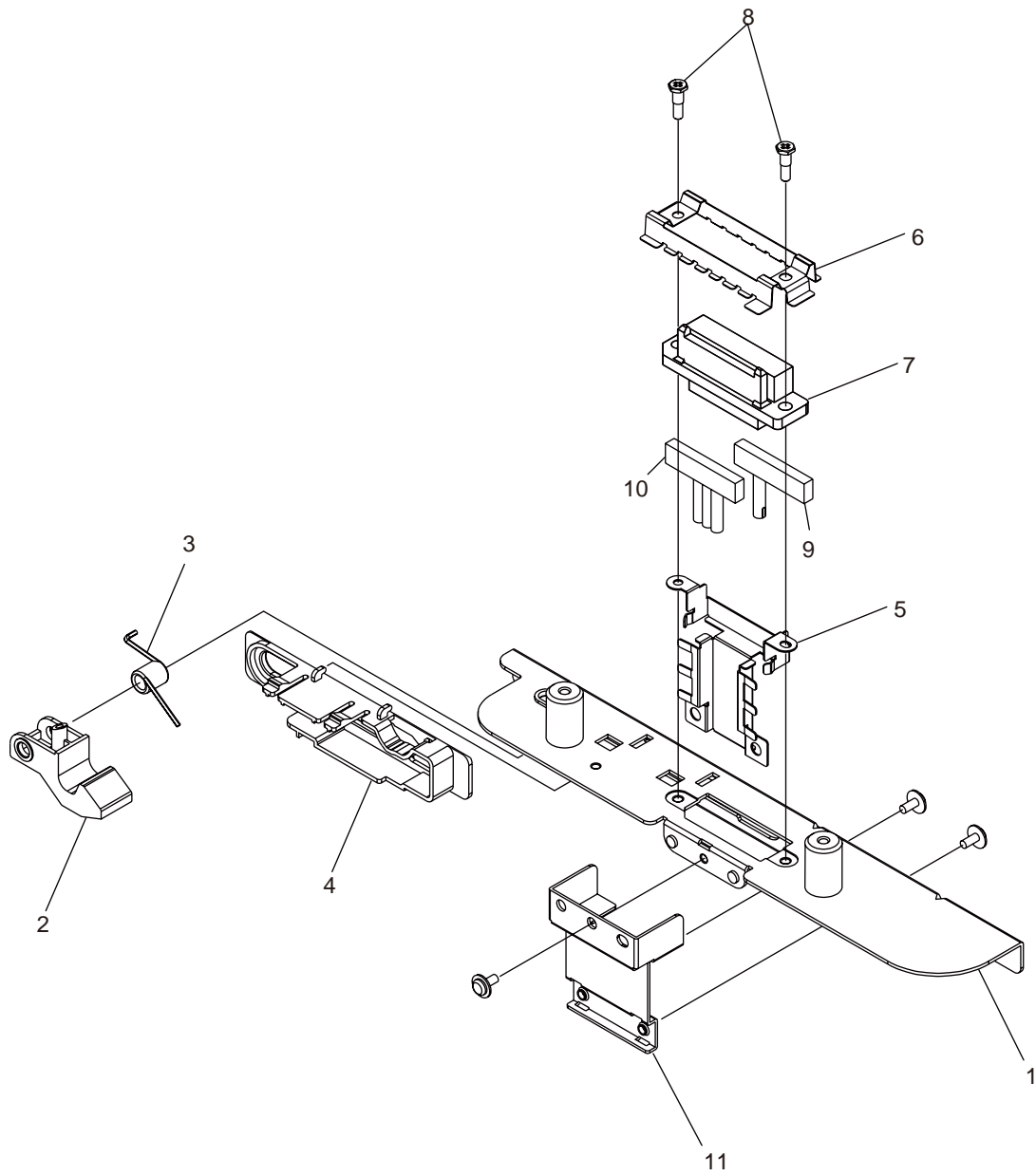
No.	Part No.	Part Name	Q'ty /Unit	Remarks
1	43611102	M32-2 PCB-Assy. Maintenance Spec.	1	C3530MFP
1	43567304	M32-4 PCB-Assy. Maintenance	1	MC360
2	43411301	Board- FX1	1	C3530MFP
2	43999501	Board-FX3	1	MC360
3		Plate-ShieldCU-(MFP)	1	C3530MFP/MC360
4		CONN Cord-FLEXY-732MFP F	1	C3530MFP
4		732MFP-MLK FFC instruction s	1	MC360
5		Cup_Screw (S Tight M3)	4	
6		CONN Cord-JST2P-JST3P	1	C3530MFP CHN-M

Stay Guide R Assy



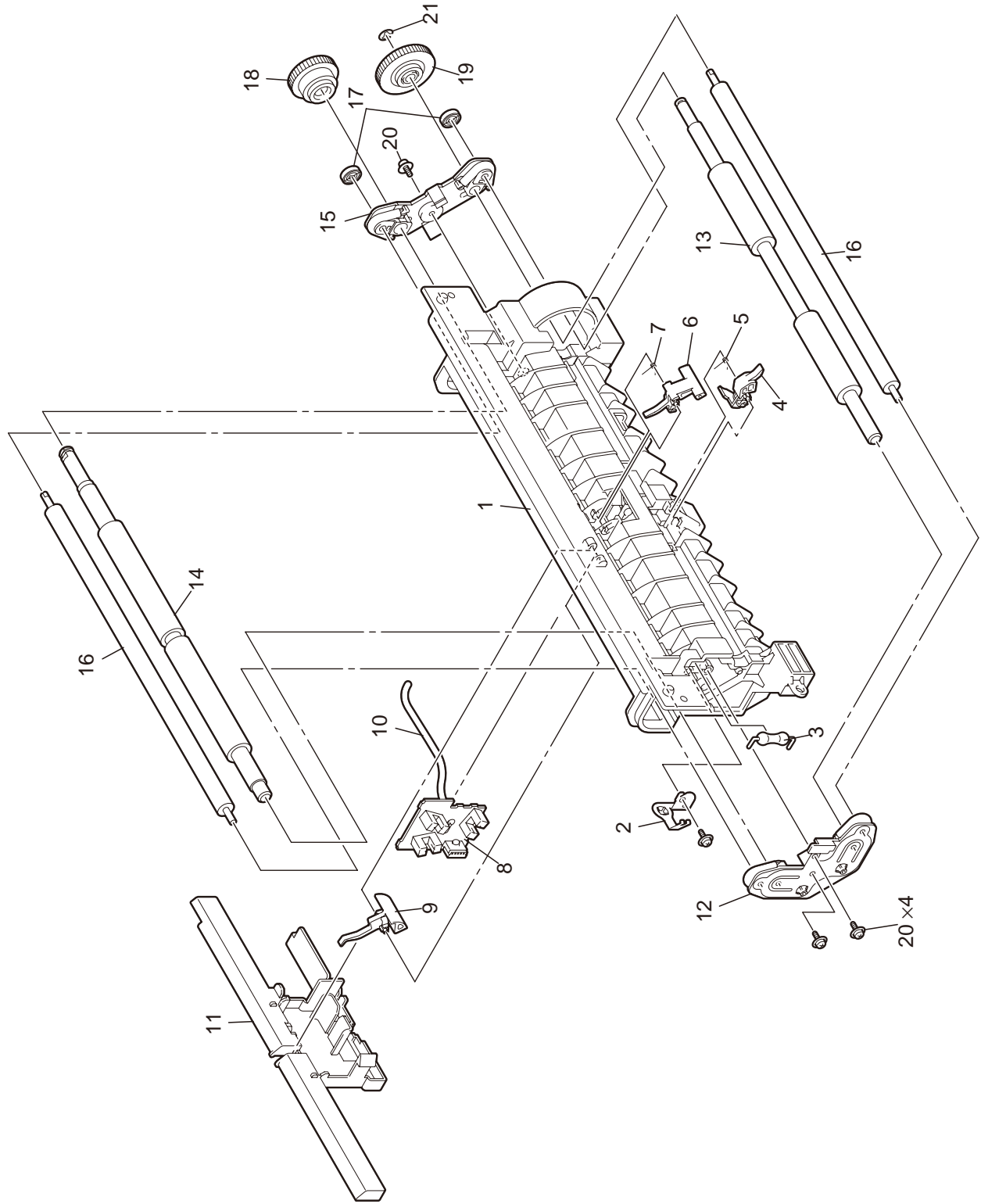
No.	Part No.	Part Name	Q'ty /Unit	Remarks
1		Plate-Stay-Guide-R(Caulking)	1	
2		Lever-Lock	1	
3		SP-Lock-R	1	
4		Rail-Stay-R	1	

Stay Guide L Assy (L)



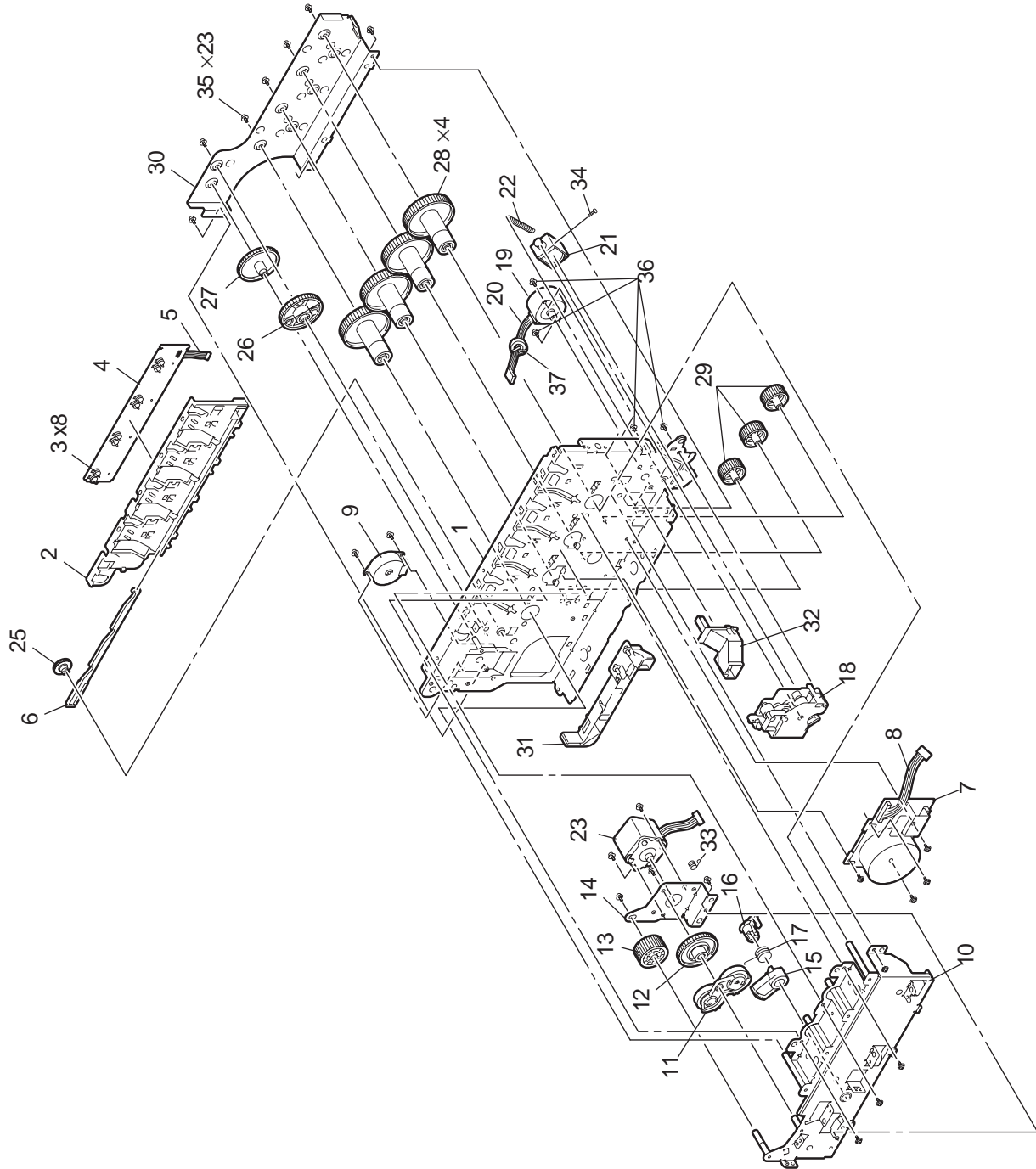
No.	Part No.	Part Name	Q'ty /Unit	Remarks
1		Plate-Stay-Guide-L(Caulking)	1	
2		Lever-Lock	1	
3		SP-Lock-L	1	
4		Rail-Stay-L	1	
5		Shield-Cable	1	
6		Shield-Drawer-L	1	
7		9714N-30Z03-G4C	1	
8		Screw-Shoulder	2	
9	43459103	CONN Cord-Wire Power2	1	
10	43459102	CONN Cord-Wire Signal	1	
11		Shield-Cable-Outer	1	
12		Cup_Screw (S Tight M3)	3	

Feeder Assy. Regist



No.	Part No.	Part Name	Q'ty /Unit	Remarks
1		Frame-Feed	1	
2		Plate-Earth-F	1	
3		OR-RES-High-Voltage-Z	1	
4	42070701	Lever-IN1	1	
5	42979401	Spring-IN1	1	
6	42070801	Lever-IN2	1	
7	43153101	Spring-IN2	1	
8	43135401	OR-Board-MIP	1	Board-FrontSensor
9	42070901	Lever-WR	1	
10	43361401	CONN Cord-AMP5P-AMP5P	1	FrontSensorCord
11		Cover-SNS	1	
12		Holder Assy.-Regist-L	1	
13		Roller-Regist-L	1	
14		Roller-Regist-U	1	
15		Holder Assy.-Regist-R	1	
16		Roller-Pressure	2	
17		Gear-Puressure	2	
18		Gear-Regist-U(24-45)	1	
19		Gear-Regist-L(24-54)	1	
20		TappingScrew-B2 L=8	4	
21		Ring	1	

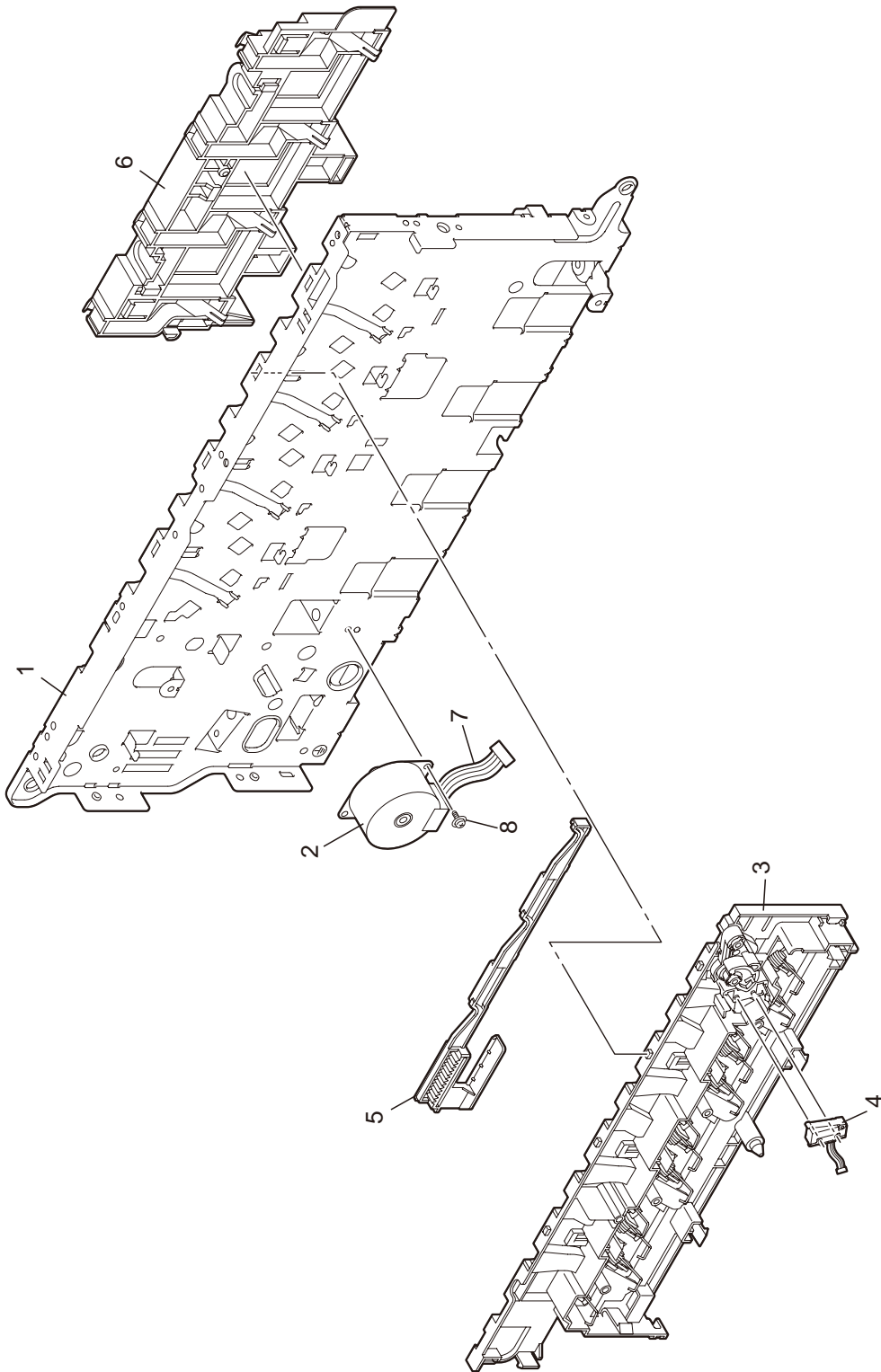
Plate Assy Side R



No.	Part No.	Part Name	Q'ty /Unit	Remarks
1		Plate-Side-R(Caulking)	1	
2		Cover-Plate-R	1	
3		Spring-Contact-TL	8	
4	43614901	OR-Board-PRS	1	Board-TonerSensor
5		SMCD-10-280BD(1.0)	1	TonerSensor_FFC
6		Link-LiftUp-R	1	
7	43195101	Motor-DC-ID-M58	1	
8		CONN Cord-AMP10P-AMP10P	1	DC-ID MotorCord
9	43353101	OR-Motor-Pulse-Liftup	1	
10	43195501	Bracket-Inner(Caulking)	1	
11	43196201	Gear Assy.-Planet	1	Surrounding of Fuser
12	43196601	Gear-Idle-Heat(Z14-102)	1	Surrounding of Fuser
13	43196701	Gear-Idle-Z35	1	Surrounding of Fuser
14		Bracket-Inner-sub	1	C3530MFP/MC360
14		Bracket-Inner-sub	1	C3520MFP/MC350
15		Gear-Shutter	1	
16		Boss-Inner	1	
17		Spring-Detent	1	
18	43197301	Gear_Assy-HP	1	
19	43353001	OR-Motor-Pulse-HOP	1	
20		CONN Cord-AMP4P-AMP4P	1	HoppingMotorCord
21		Solenoid	1	
22		Spring-Solenoid	1	
23	43197801	Motor-Pulse-Fuser	1	C3530MFP/MC360
23		OR-Motor-Pluse-Fuser	1	C3520MFP/MC350
24		CONN Cord-JST4P-JST4P	1	C3520MFP/MC350 HeaterMotorCord
25		Gear-Planet-UP-R	1	
26		Gear-LiftUp-Z24Z90	1	
27		Gear-LiftUp-Z18-Z105	1	

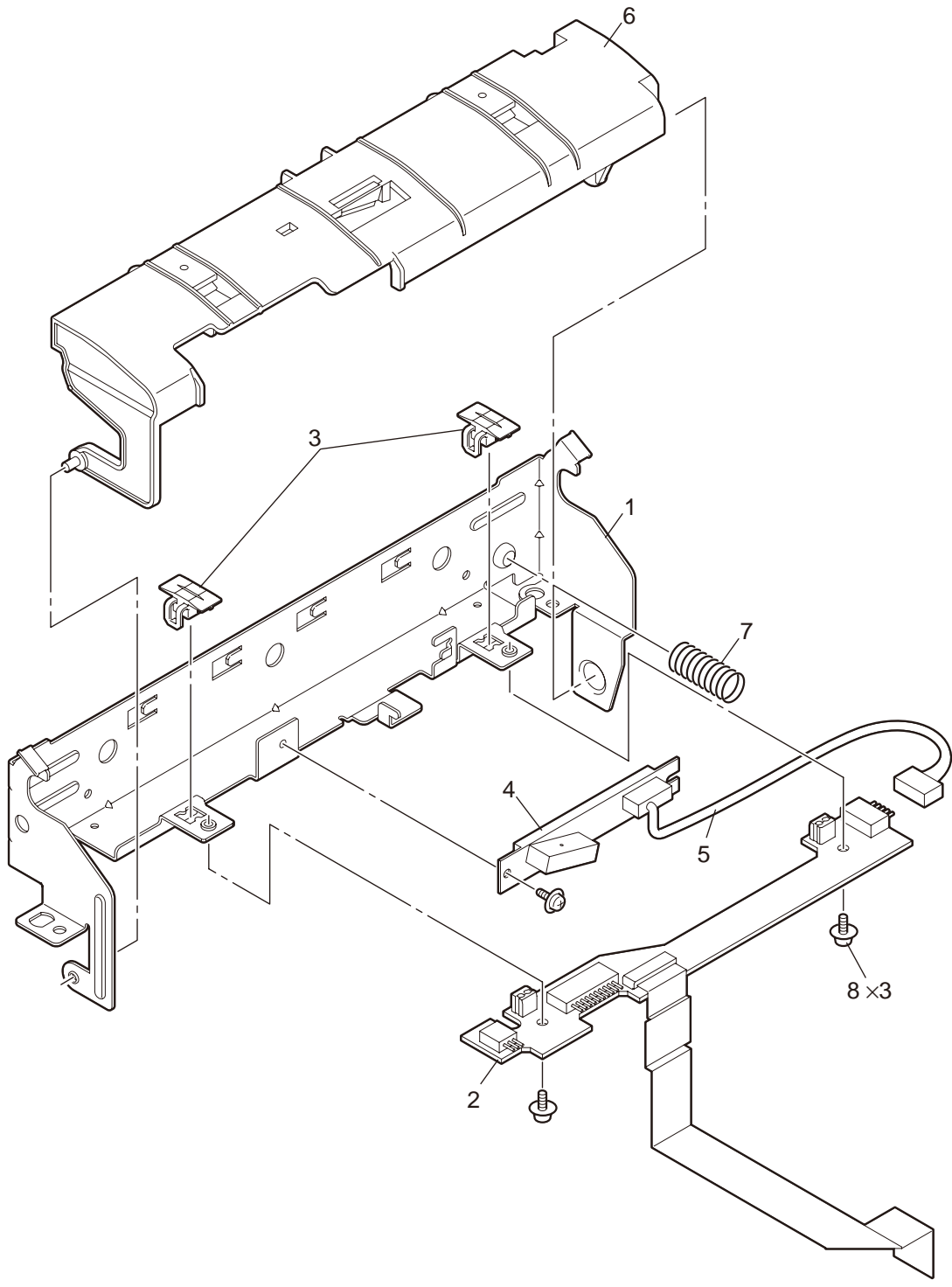
No.	Part No.	Part Name	Q'ty /Unit	Remarks
28		Gear-Idle-DrumZ24-117	4	
29		Gear-Idle-Z55	2	
30		Bracket-Outer	1	
31		Guide-Cable-R	1	
32		Guide-Cable-F	1	
33		Spring-Contact-HBM	1	C3530MFP/MC360
34		Screw-PSW3	1	
35		Cup_Screw (S Tight M3)	23	
36		TappingScrew-B2 L=8	4	
37		TR-14.5-10-8	1	Toroidalcore
38		Gear-Idle-Z55L	1	

Plate Assy Side L



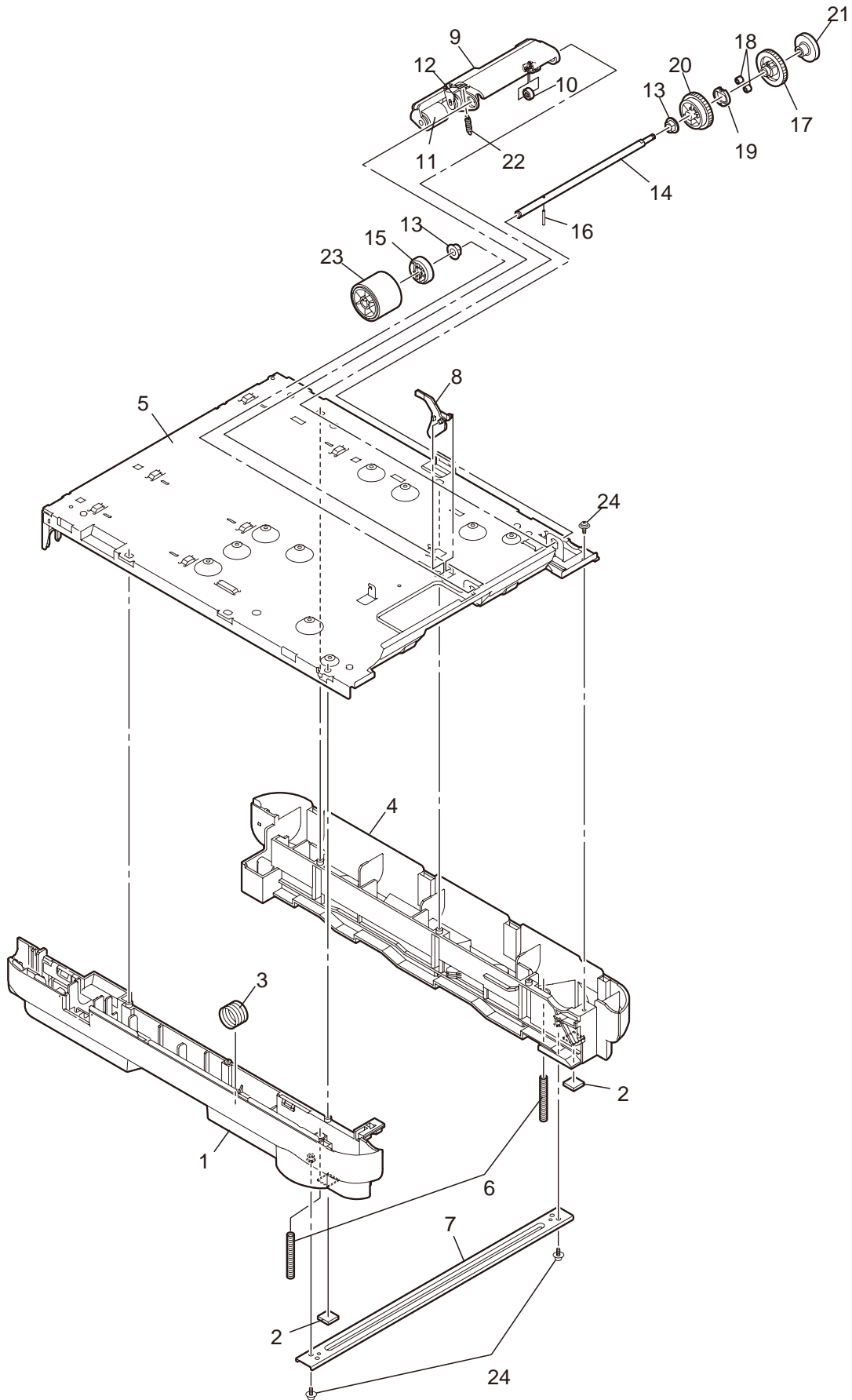
No.	Part No.	Part Name	Q'ty /Unit	Remarks
1		Plate_Side-L	1	
2	43352901	OR-Motor-Pulse-Belt	1	
3		Cover-Ass.-Plate-L	1	
4	43415601	Microswitch Assy.-PX732	1	CoverOpenSwitchAssy
5		Link-LiftUp-L	1	
6		Frame-Ass-Cont-TR	1	
7		CONN Cord-AMP4P-AMP4P	1	BeltMotorCord
8		Cup_Screw (S Tight M3)	1	

Sensor Assy. Color Regist



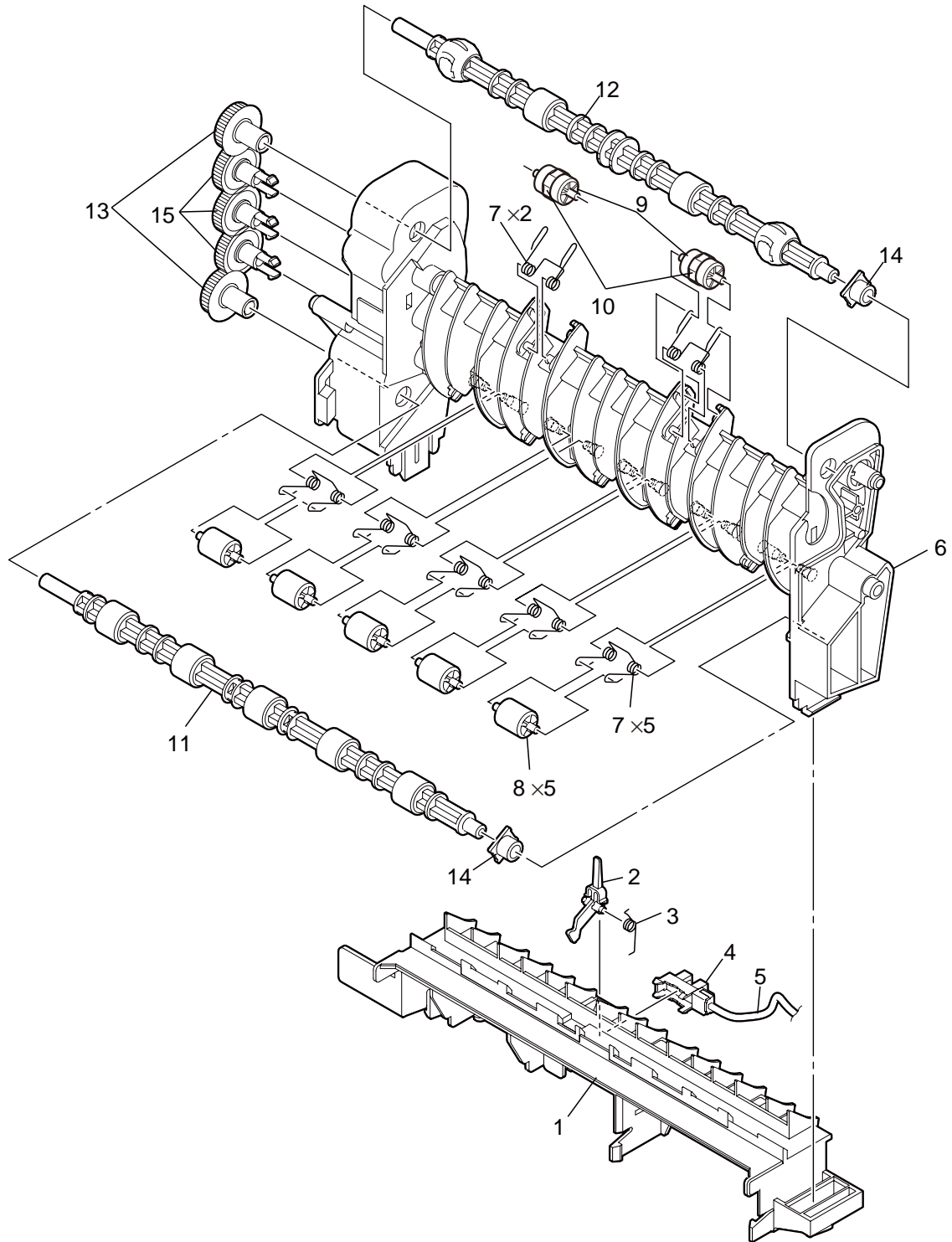
No.	Part No.	Part Name	Q'ty /Unit	Remarks
1		Plate-Sensor-C.Regist	1	
2	43135301	OR-Board-ZAK	1	Board-RearSensor
3		Plate-Guard-Sensor	2	
4		GP2TC2J000F	1	DensitySensor
5	43361701	CONN Cord-MOLEX5P-MOLE	1	DensitySensorCord
6		Cover-C.Regist(Adhesive)	1	
7		Spring-Cover-Sensor	1	
8		Cup_Screw (S Tight M3)	3	

Frame Assy Base



No.	Part No.	Part Name	Q'ty /Unit	Remarks
1		Guide-Cassette-L	1	
2		Rubber-Foot	2	
3		Spring-Lock-Cassette	1	
4		Guide-Cassette-R	1	
5		Plate-Base	1	
6		Spring-Earth	2	
7		Plate-Beam	1	
8	43176501	Lever-End	1	
9	43177001	Bracket-Sub	1	
10	43177101	Roller-Follower	1	
11	43334801	Roller Assy.-Sub	1	
12	42052001	Gear-Planet(Z20)-HP	1	
13		Bush	2	
14		Shaft-Hopping	1	
15	42052301	Gear-Hopping(Z38)-HP	1	
16		Pin	1	
17	42050801	Stopper-HP	1	
18	42051001	Gear-Planet(Z12)-HP	2	
19	42050901	Holder-Planet-HP	1	
20	42051201	Stopper-Z45-48-HP	1	
21	42051101	Gear-Z24-50-HP	1	
22		Spring-Sub	1	
23	43334901	Roller Assy.-Hopping	1	
24		TappingScrew-B2 L=8	3	

Eject Assy.



No.	Part No.	Part Name	Q'ty /Unit	Remarks
1		Guide-Eject-Lower	1	
2	43206401	Lever-Eject-Sensor	1	
3	40386501	Spring-SNS(F/R)	1	
4	40135301	Photo-Interrupter	1	ExitSensor
5		CONN Cord-AMP3P-AMP3P	1	ExitSensorCord
6		Guide-Eject-Upper	1	
7		Spring-Torsion-Eject	7	
8	43222001	Roller-BIAS-FU	5	
9	43222101	Roller-BIAS-FD	2	
10		Sponge-Roller-FD	2	
11		Shaft Assy.-Eject(FU)	1	
12		Shaft Assy.-Eject(FD)	1	C3530MFP/MC360
12		Shaft Assy.-Eject(FD)	1	C3520MFP/MC350
13		Gear-Idle-Exit(Z19)	2	
14		Bearing-Eject	2	
15		Gear-Idle-Exit(Z21)	3	