

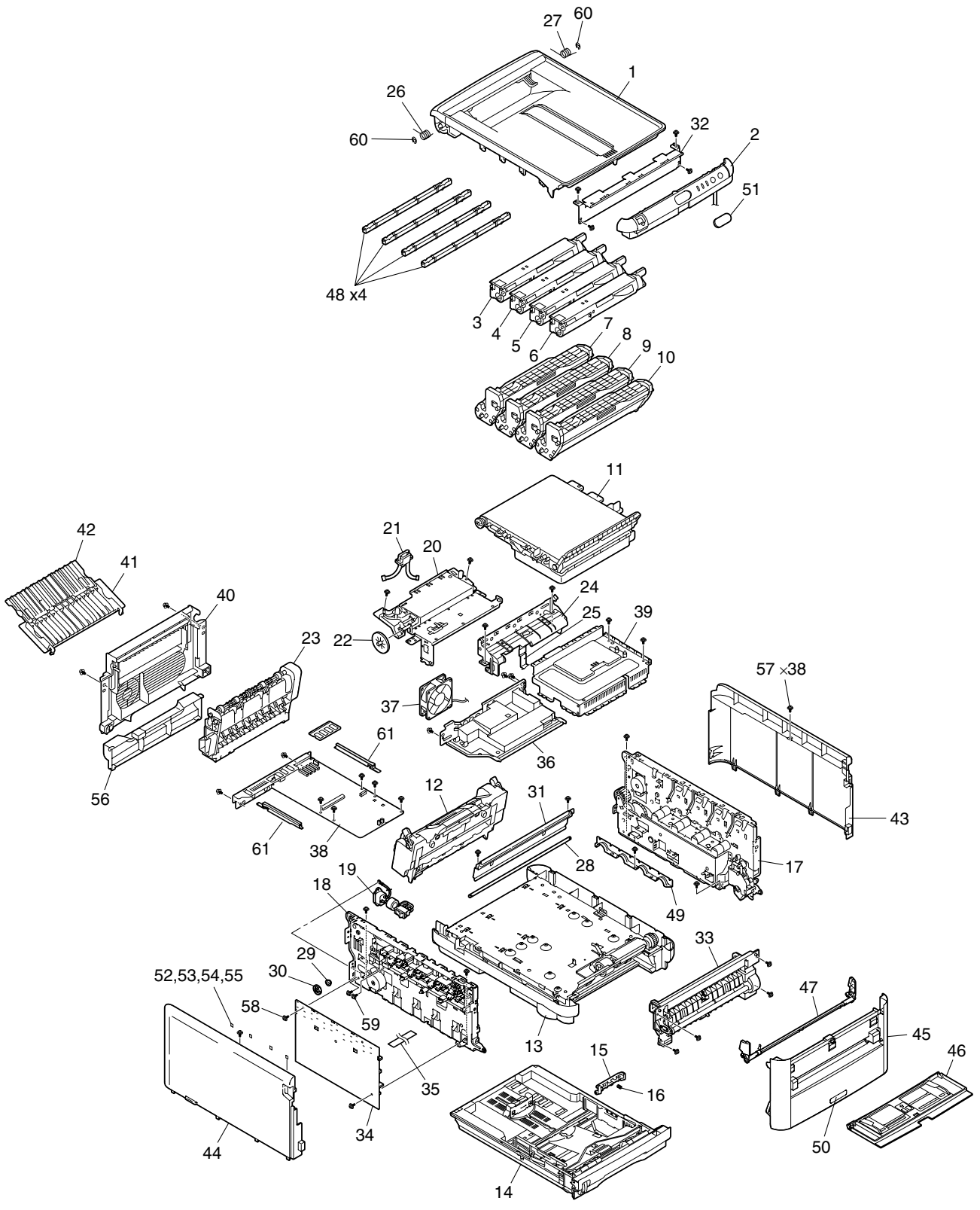
# C3400

# Spare Parts

# Illustration Manual

061807A

# Parts Layout (C3400)



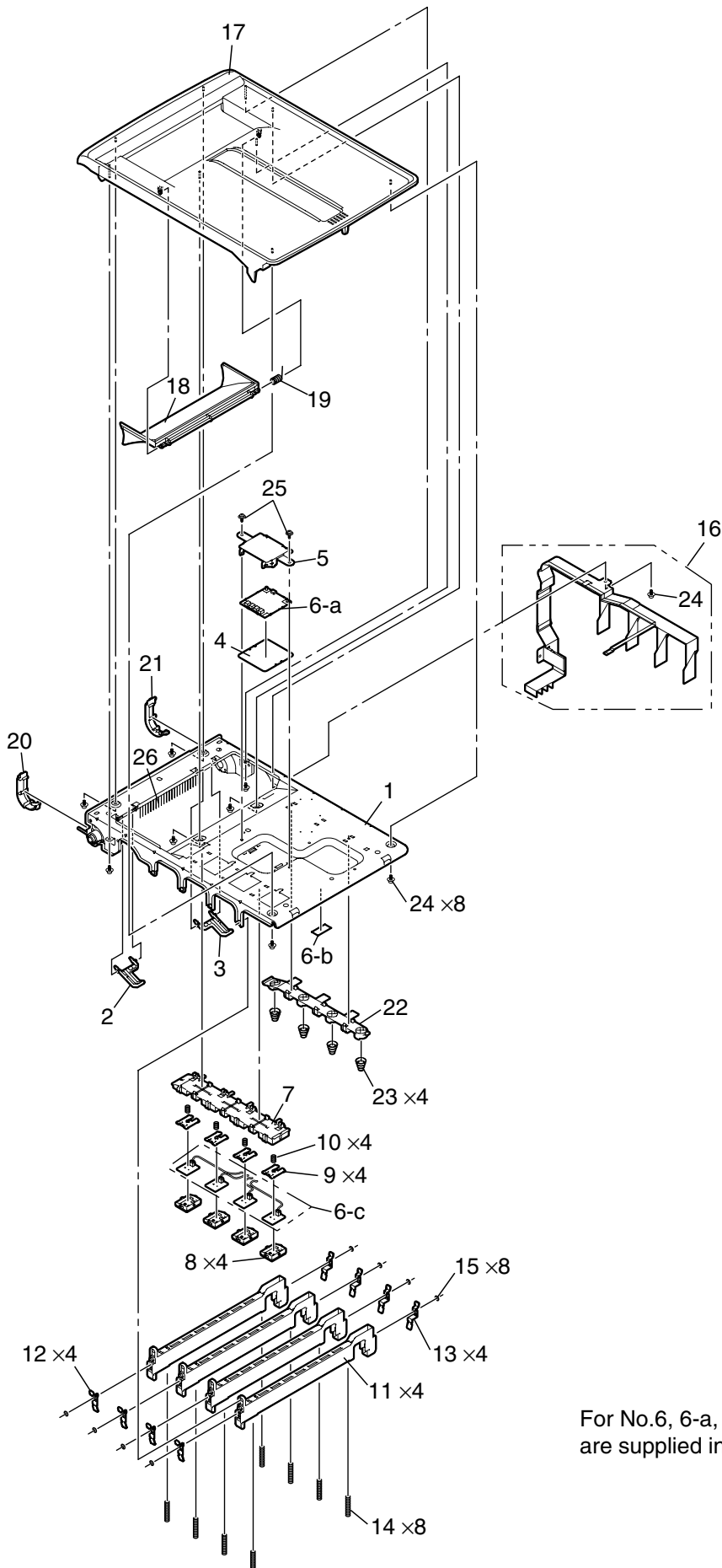
## Parts Layout

No.	Parts No.	Name	Q'ty /Unit	Remarks
1		Top-Cover-Assy	1	
2	43208101	Control Panel Assy	1	
11	43378001	Belt-Unit	1	
12	43377001	Fuser-Unit	1	(120V)
	43377002	Fuser-Unit	1	(230V)
13		Base-Assy	1	
14	43192601	Cassette Assy	1	
15	42088801	Frame Separation Assy	1	
16	42089001	Spring-Separation	1	
17		Plate Assy-Side R	1	
18		Plate Assy-Side L	1	
19		ACINLET-Switch-JST3P	1	ACINLET-SWCord
20		Plate-Shield-Rear(Caulking)	1	
21	43361901	CONN Cord-HRS12P-JST3P-MOLEX10P	1	HeaterAC/IFCord
22	42062401	Gear-Idle-Belt	1	
23	43206101	Eject-Assy	1	
24		Sensor-Assy-Color-Regist	1	
25		SMCD-17-210BD(1.0)	1	RearSensor_FFC
26		Spring Torsion (L)	1	
27		Spring Torsion (R)	1	
28		Shaft Lift Up	1	
29		Bush	1	
30	42066701	Gear-Planet-UP-L	1	
31		Plate Heat	1	
32		Plate-Front	1	
33	43209301	Feeder-Unit	1	
34	43035201	Power unit-High Voltage Purchase spec.	1	HighVoltage
35		SMCD-12-180BD(1.0)	1	HighVoltage_FFC
36	43035301	PWR unit-ACDC Switch Purchase spec.	1	100V
	43505401	PWR unit-ACDC Switch	1	230V
37	43337501	Motor FAN (80)	1	FUSER
38	43087201	BLA-1 PCB-Assy. Maintenance Spec.	1	C3400Board-PUCU
39		Plate-Shield-Front(n)	1	C3400
40		Cover-Rear	1	
41	43215301	Cover-FaceUP	1	
42	43215401	Cover-FaceUP-Sub	1	
43		Cover-Side(R)	1	
44		Cover-Side(L)	1	
45		Cover-Front	1	
46	43210701	Cover-Assy-Manualfeed	1	
47		Lever-Assy-Front-Lock	1	
48	43295201	LED HEAD Unit-51STA	4	600DPI
49		Plate-Lockout-ID	1	
50		Plate-Name	1	C3400
51		Plate-Logo	1	
52		Label-Color	1	K
53		Label-Color	1	Y

## Parts Layout

No.	Parts No.	Name	Q'ty /Unit	Remarks
54		Label-Color	1	M
55		Label-Color	1	C
56		Cover-Rear-Bottom	1	
57		Cup Screw (S Tight M3)	38	
58		TappingScrew-B2 L=8	1	
59		Screw(SW+2W)	1	
60		Ring	2	
61		Guide-CU	2	

# Top-Cover-Assy

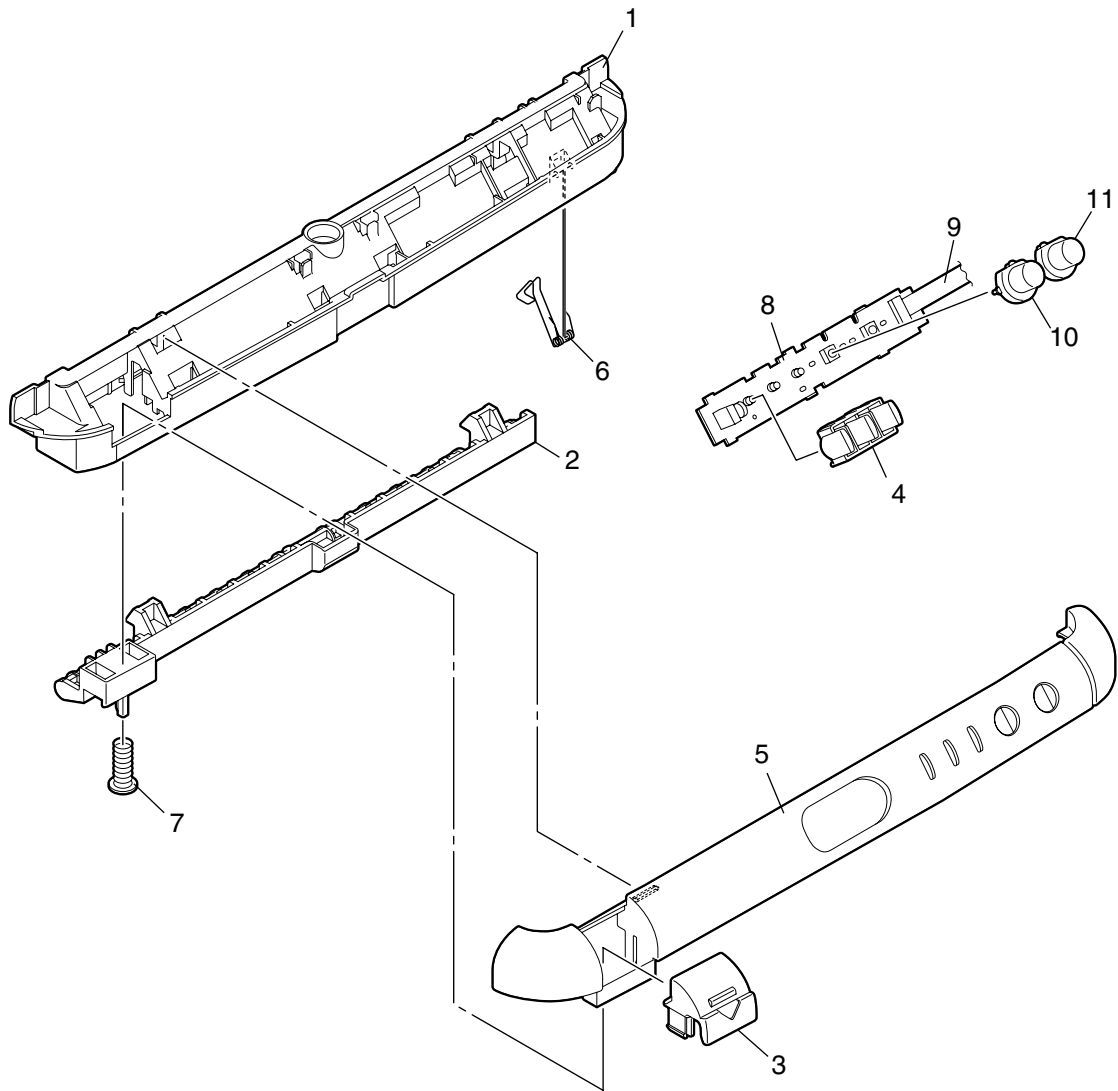


For No.6, 6-a, 6-b and 6-c are supplied in one set.

## Top Cover Assy

No.	Parts No.	Name	Q'ty /Unit	Remarks
1		Plate-Inner(Caulking)	1	
2	43214801	Lever-Stack-L	1	C3400
3	43214901	Lever-Stack-R	1	C3400
4		Film-Insulator	1	
5		Plate-Shield-RFID	1	
6	43508801	RFID-UNIT Assy.-(Maintenance)	1	Board-RFIDR/W, Concurrent;a,b,c
7		Holder-RFID	1	
8		Cover-RFID	4	
9		Cover-RFID-Sub	4	
10		Spring-RFID	4	
11	43212901	Holder-Head ( SH)	4	
12		Plate-FG-Head-L(SH)	4	
13		Plate-FG-Head-R(SH)	4	
14		Spring-Head	8	
15	43501005	Push nut	8	
16	43213301	Cable-Assy-Head	1	LED-HEAD-FFC RFID-FFC
17		Cover-Top	1	
18		Cover Top Sub	1	
19		Spring-Torsion(Sub)	1	
20		Cover-Hinge(L)	1	
21		Cover-Hinge(R)	1	
22		Holder-SP(Inner)	1	
23		Spring-Compression(ID)	4	
24		Tapping Screw B2 L=8	9	
25		Cup Screw (S Tight M3)	2	
26		Brush-Discharge	1	

# Control-Panel-Assy

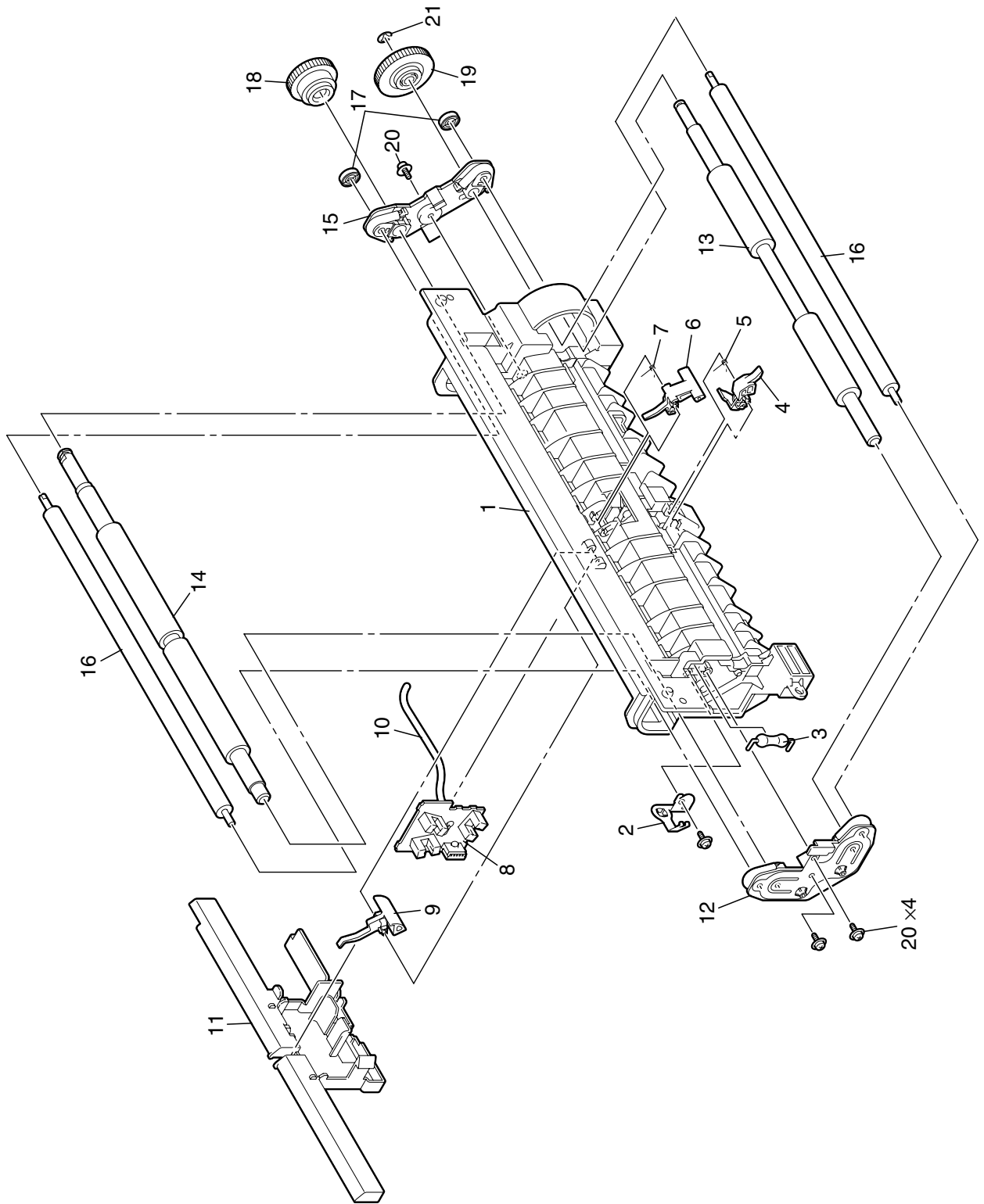


## Control Panel Assy

No.	Parts No.	Name	Q'ty /Unit	Remarks
1		Frame-OP-Panel	1	
2		Lever-Lock(Top)	1	
3		Button-Lock	1	
4		Lens-LED	1	
5		Cover-OP-Panel	1	
6		Spring-Torsion(FG)	1	
7		Spring-Compression(Lock)	1	
8	43135001	OR-Board WHI	1	Board-Opepanel
9		SMCD-7-400BD(1.0)	1	OperationPanel_FFC
10		Button-Key	1	
11		Button-Key	1	



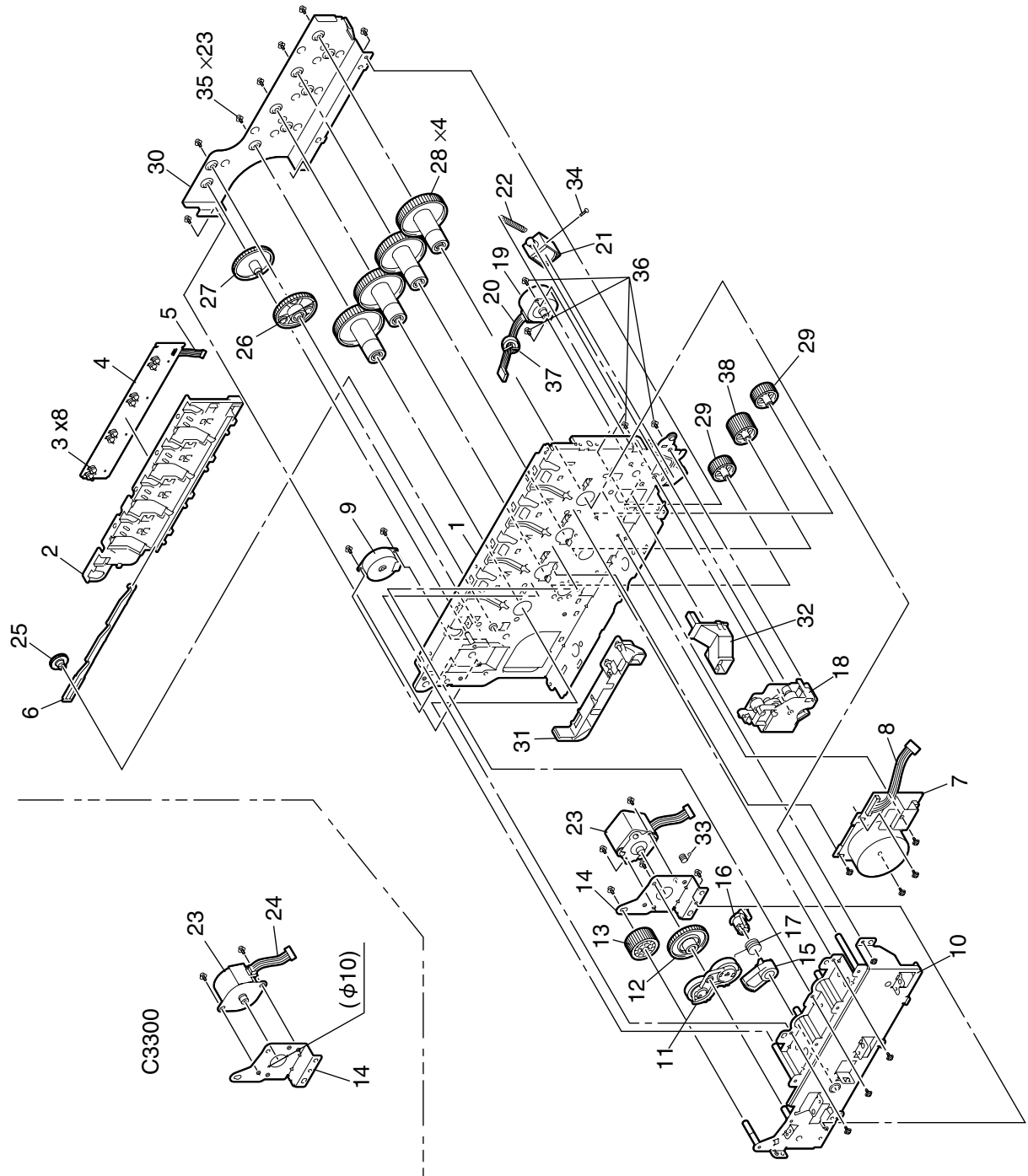
# Feeder\_Unit



## Feeder Unit

No.	Parts No.	Name	Q'ty /Unit	Remarks
1		Frame-Feed	1	
2		Plate-Earth-F	1	
3		OR-RES-High Voltage	1	
4	42070701	Lever-IN1	1	
5	42979401	Spring-IN1	1	
6	42070801	Lever-IN2	1	
7	43153101	Spring-IN2	1	
8	43135401	OR-Board MIP	1	Board-FrontSensor
9	42070901	Lever-WR	1	
10	43361401	CONN Cord-AMP5P-AMP5P	1	FrontSensorCord
11		Cover-SNS	1	
12		Holder Assy.-Regist-L	1	
13	43210001	Roller-Regist-L	1	
14	43210101	Roller-Regist-U	1	
15		Holder Assy.-Regist-R	1	
16		Roller-Pressure	2	
17	42072201	Gear-Puressure	2	
18	42072301	Gear-Regist-U(24-45)	1	
19	43210501	Gear-Regist-L(24-54)	1	
20		TappingScrew-B2 L=8	4	
21		Ring	1	

# Plate Assy-Side\_R



No.	Parts No.	Name	Q'ty /Unit	Remarks
1		Plate-Side-R(Caulking)	1	
2		Cover-Plate-R	1	
3	43194801	Spring-Contact-TL	8	
4	43135101	OR-Board PRE	1	Board-TonerSensor
5		SMCD-10-280BD(1.0)	1	TonerSensor_FFC
6		Link-LiftUp-R	1	
7	43195101	Motor-DC-ID-M58	1	
8	43361601	CONN Cord-AMP10P-AMP10P	1	DC-IDMotorCord
9	43353101	Motor-Pulse-Liftup	1	
10		Bracket-Inner ( Caulking )	1	
11	43196201	Gear-Assy.-Planet	1	Fuser
12	43196601	Gear-Idle-Heat(Z14-102)	1	Fuser
13	43196701	Gear-Idle-Z35	1	Fuser
14		Bracket-Inner-sub	1	C3400
15	43197001	Gear-Shutter	1	
16	43199201	Boss-Inner	1	
17	43199301	Spring-Detent	1	
18	43197301	Gear_Assy-HP	1	
19	43353001	Motor_Pulse_HOP	1	
20		CONN Cord-AMP4P-AMP4P	1	HoppingMotorCord
21	42058303	Solenoid	1	
22		Spring-Solenoid	1	
23	43197801	Motor-Pulse-Fuser	1	C3400
24		CONN Cord-JST4P-JST4P	1	
25		Gear-Planet-UP-R	1	
26	43197901	Gear-LiftUp-Z24Z90	1	
27	43198001	Gear-LiftUp-Z18Z105	1	
28	43198101	Gear-Idle-DrumZ24-117	4	
29	43198201	Gear-Idle-Z55	3	
30		Bracket-Outer	1	
31		Guide-Cable-R	1	
32		Guide-Cable-F	1	
33		Spring-Contact-HBM	1	C3400
34		Screw	1	
35		Cup_Screw (S Tight M3)	23	
36		TappingScrew-B2 L=8	4	

# Plate Assy-Side\_L

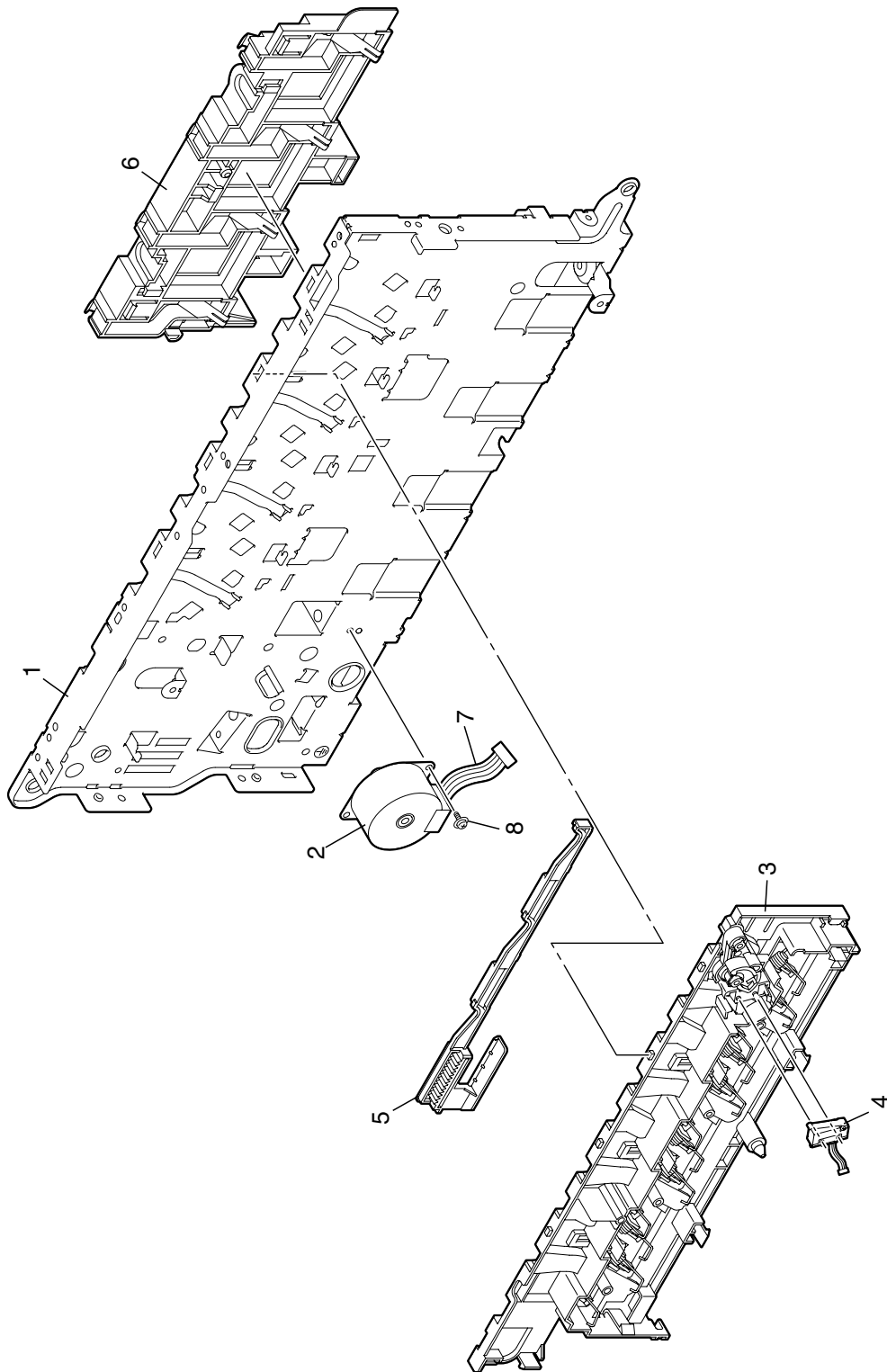
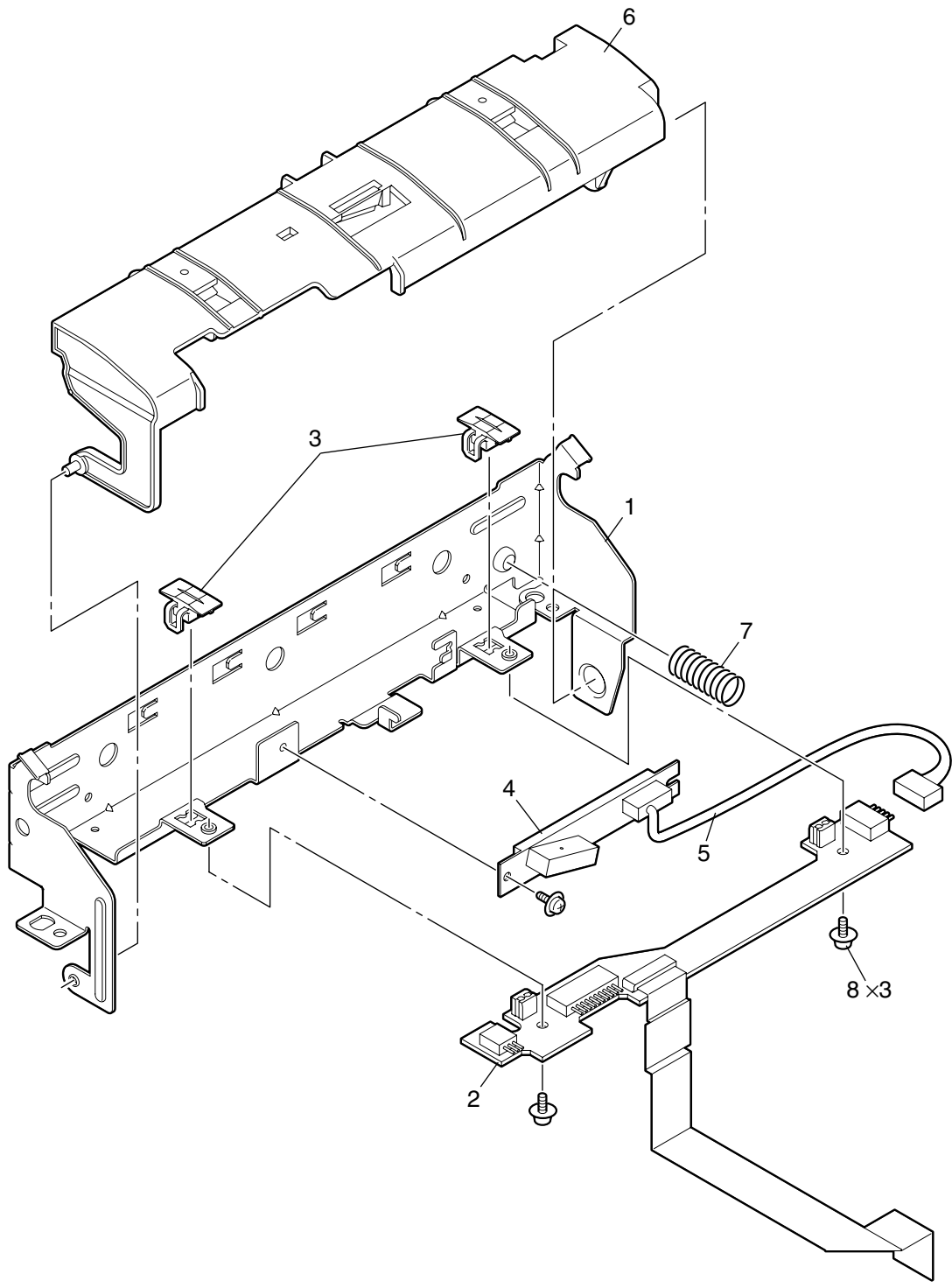


Plate Assy Side L

No.	Parts No.	Name	Q'ty /Unit	Remarks
1		Plate_Side-L	1	
2	43352901	Motor-Pulse-Belt	1	
3		Cover-Ass.-Plate-L	1	
4	43415601	MicroSwitch Assy.-PX732	1	CoverOpenSwitchAssy
5	43201001	Link-Liftup-L	1	
6		Frame-Ass-Cont-TR	1	
7	43361502	CONN Cord-AMP4P-AMP4P	1	BeltMotorCord
8		Cup Screw (S Tight M3)	1	

### Sensor\_Assy-Color\_Regist

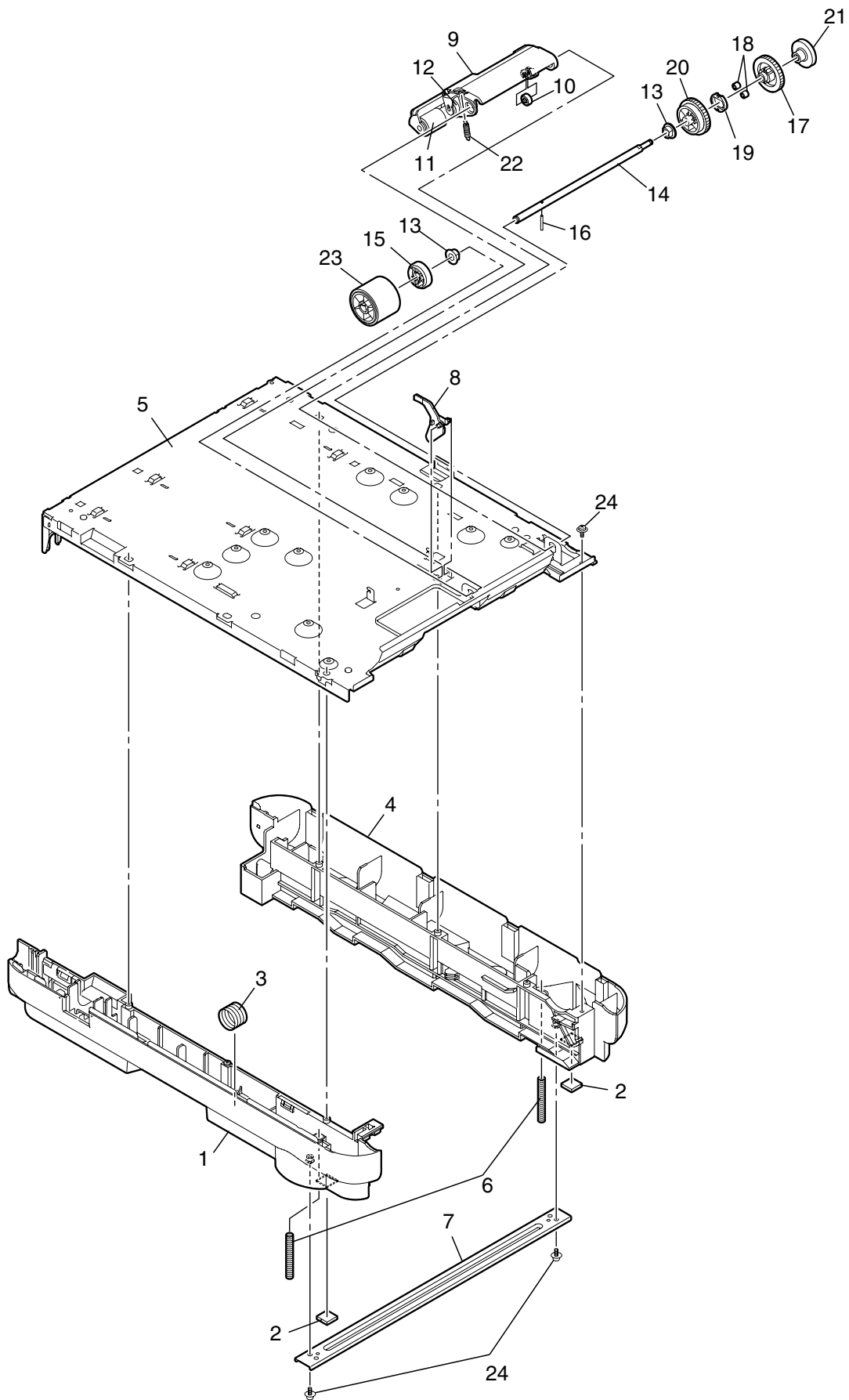


## Sensor Assy Color Reg

No.	Parts No.	Name	Q'ty /Unit	Remarks
1		Plate-Sensor-C.Regist	1	
2	43135301	OR-Board ZAK	1	Board-RearSensor
3		Plate-Guard-Sensor	2	
4		GP2TC2J0000F	1	DensitySensor
5	43361701	CONN Cord-MOLEX5P-MOLEX5P	1	DensitySensorCord
6		Cover-C.Regist(Adhesive)	1	
7		Spring-Cover-Sensor	1	
8		Cup_Screw (S Tight M3)	3	

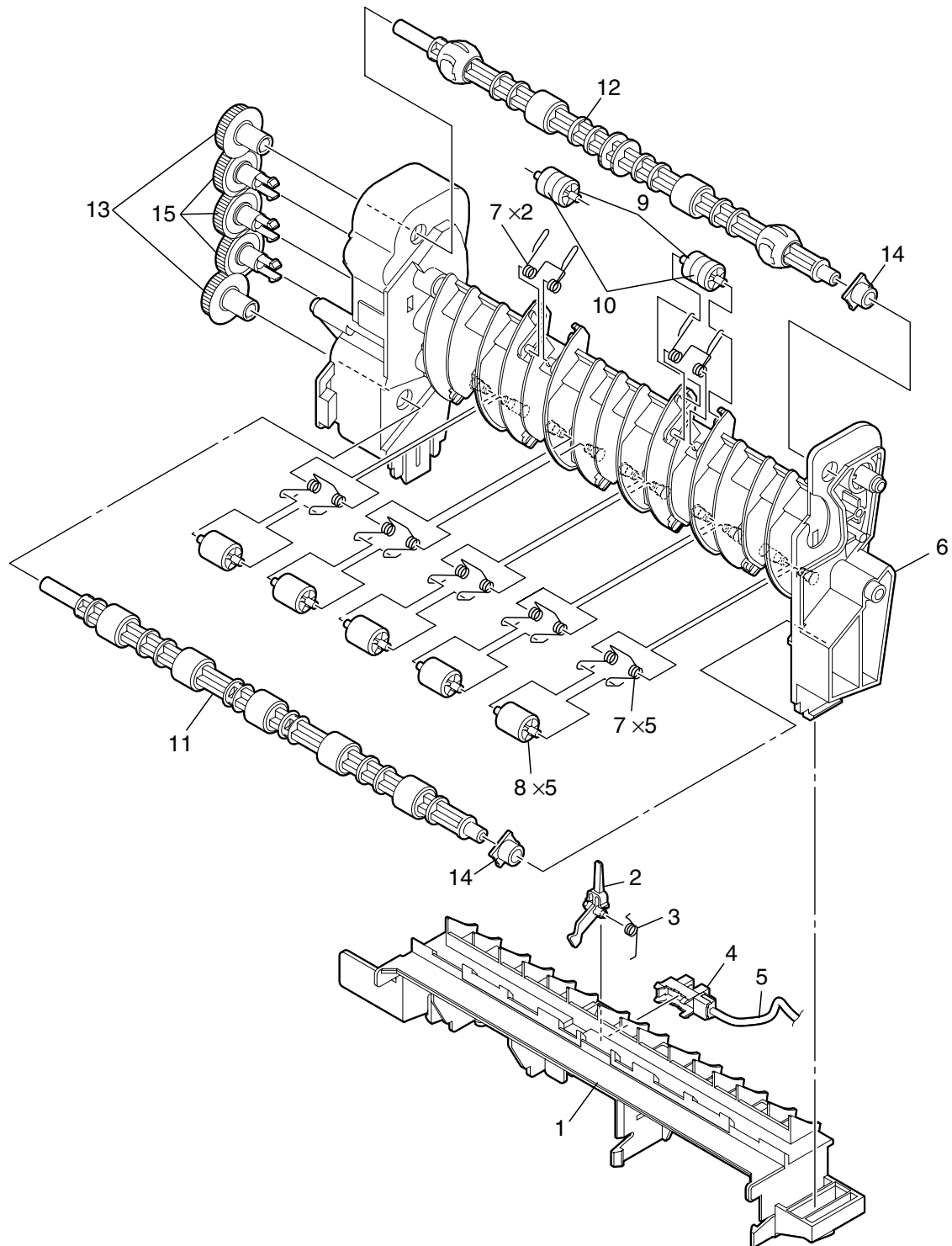


# Base-Assy



No.	Parts No.	Name	Q'ty /Unit	Remarks
1		Guide-Cassette-L	1	
2		Rubber-Foot	2	
3		Spring-Lock-Cassette	1	
4		Guide-Cassette-R	1	
5		Plate-Base	1	
6		Spring-Earth	2	
7		Plate-Beam	1	
8	43176501	Lever-End	1	
9	43177001	Bracket-Sub	1	
10	43177101	Roller-Follower	1	
11	43334801	Roller Assy.-Sub	1	
12	42052001	Gear-Planet(Z20)-HP	1	
13	43526601	Bush	2	
14		Shaft-Hopping	1	
15	42052301	Gear-Hopping(Z38)-HP	1	
16		Pin(NK2-16)	1	
17	42050801	Stopper-HP	1	
18	42051001	Gear-Planet(Z12)-HP	2	
19	42050901	Holder-Planet-HP	1	
20	42051201	Stopper-Z45-48-HP	1	
21	42051101	Gear-Z24-50-HP	1	
22		Spring-Sub	1	
23	43334901	Roller Assy.-Hopping	1	
24		TappingScrew-B2 L=8	3	

# Eject-Assy



## Eject Assy

No.	Parts No.	Name	Q'ty /Unit	Remarks
1		Guide-Eject-Lower	1	
2	43206401	Lever-Eject-Sensor	1	
3	40386501	Spring-SNS(F/R)	1	
4	40135301	Photo-Interrupter	1	ExitSensor
5	43361801	CONN Cord-AMP3P-AMP3P	1	ExitSensorCord
6		Guide-Eject-Upper	1	
7		Spring-Torsion-Eject	7	
8	43222001	Roller-BIAS-FU	5	
9	43222101	Roller-BIAS-FD	2	
10	43207601	Sponge-Roller-FD	2	
11	43206901	Shaft Assy-Eject (FU)	1	
12	43207201	Shaft Assy-Eject (FD)	1	C3400
13	43207301	Gear-Idle-Exit(Z19)	2	
14	43222601	Bearing-Eject	2	
15	43222701	Gear-Idle-Exit(Z21)	3	