

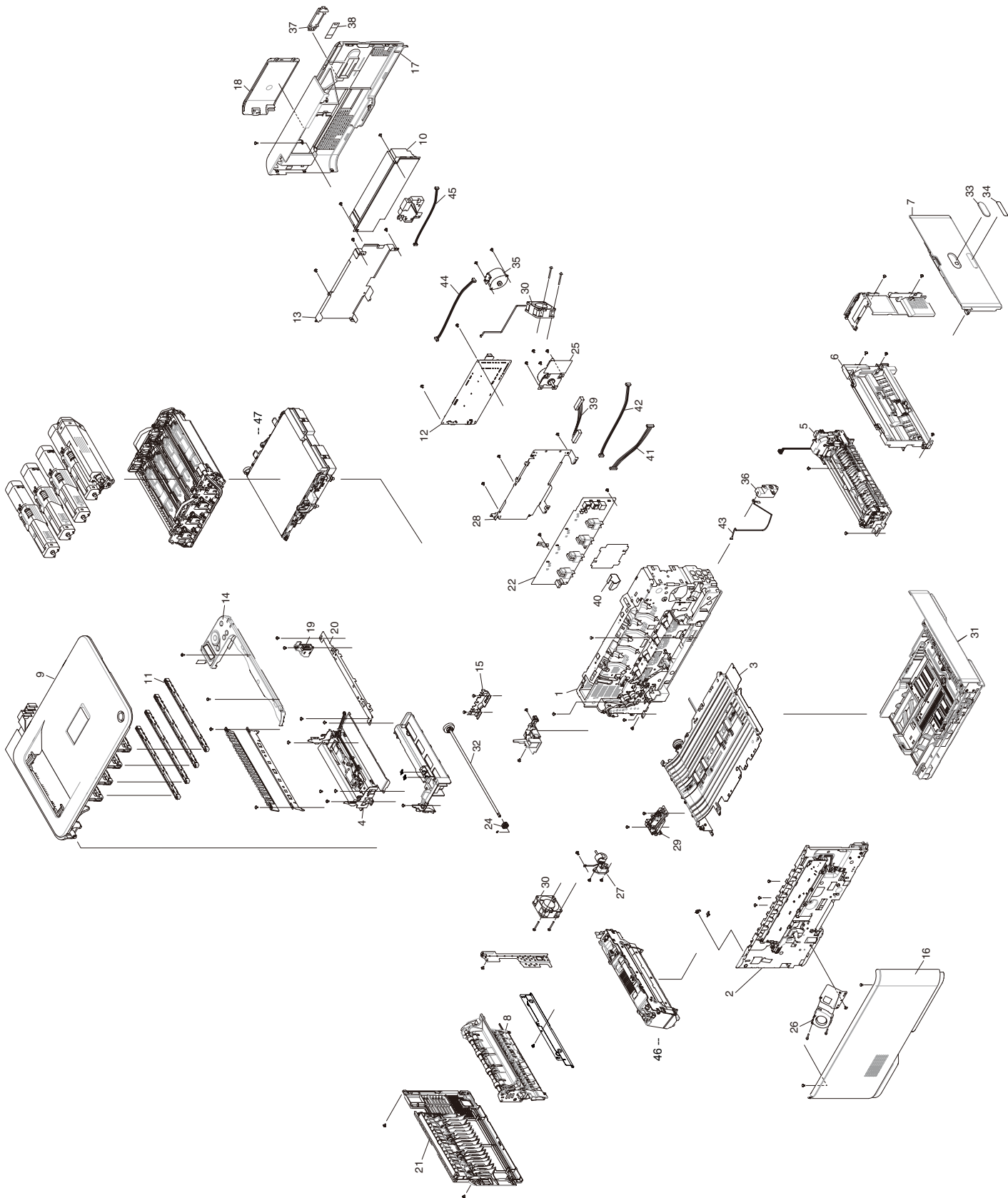
# **C332dn**

# **Illustrated Spare**

# **Parts Manual**

011217B

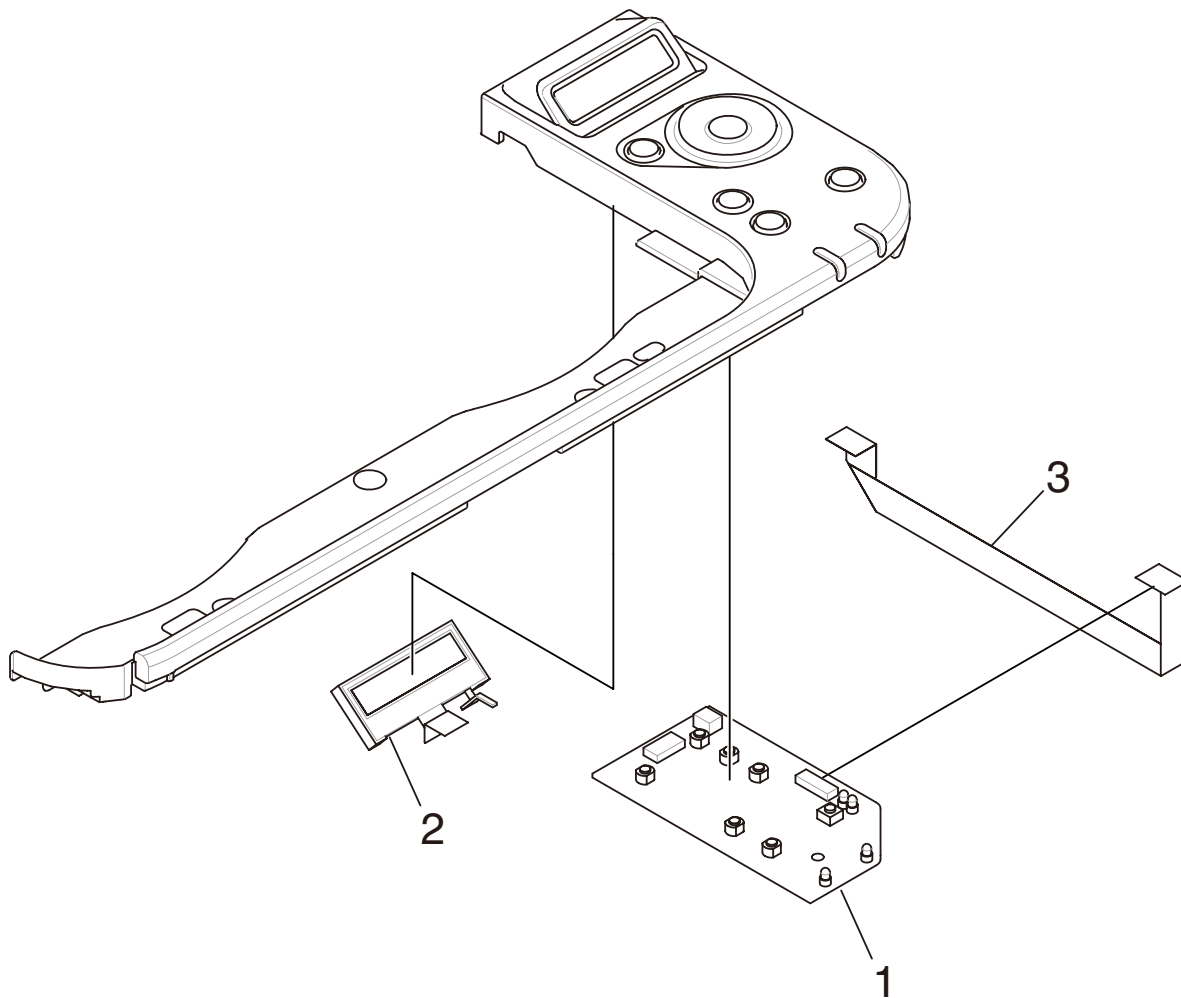
# Printer NIP



Unit Name	No.	Part No.	Part Name	Q'ty /Unit	Recommended Qty/Year			Remarks
					per 500	per 1000	per 2000	
Printer-NIP	1	44452304	Side-R Assy	1	1	1	1	
Printer-NIP	2	44452402	Side-L Assy.	1	1	1	1	
Printer-NIP	3	44452502	Base-Assy	1	1	1	1	
Printer-NIP	4	44452602	Sensor Assy.-Regist	1	1	1	1	
Printer-NIP	5	44452703	Front Assy.-Hop/Reg	1	1	1	1	
Printer-NIP	6	44359201	Frame Assy.-MPT	1	1	1	1	
Printer-NIP	7	44359601	Cover Assy.-MPT	1	1	1	1	
Printer-NIP	8	44364104	Eject-Assy.-750E	1	1	1	1	
Printer-NIP	9		Cover-Top-Assy	1	1	1	1	
Printer-NIP	9	44453512	Cover-Top-Assy	1	1	1	1	
Printer-NIP	10	44883701	PWR unit-ACDC Switch	1	1	1	1	Power-Unit(Low-Voltage 100V)
Printer-NIP	10	44883801	PWR unit-ACDC Switch	1	1	1	1	Power-Unit(Low-Voltage 230V)
Printer-NIP	11	44317201	LED Head Unit-51TRA	4	1	1	1	600dpi
Printer-NIP	12	46397701	Board-77M maintenance	1	1	1	1	ODNA
Printer-NIP	13		Plate-Shield(CU)	1	1	1	1	
Printer-NIP	14		Cover-OP-Assy-	1	1	1	1	ODA/OEL/AOS/OAU
Printer-NIP	15		Plate-Lockout	1	1	1	1	
Printer-NIP	16	44371701	Cover-Side L	1	1	1	1	
Printer-NIP	17	46360302	Cover-Side(R)	1	1	1	1	
Printer-NIP	18	44371902	Cover-IF-W	1	1	1	1	
Printer-NIP	19		Switch Assy.-InterLock	1	1	1	1	
Printer-NIP	19	46565301	Switch Assy.-Interlock_750E	1	1	1	1	
Printer-NIP	20		Plate-Front	1	1	1	1	
Printer-NIP	21		Cover-Assy.-Rear	1	1	1	1	
Printer-NIP	22		OR-Board-ORZ	1	1	1	1	Board-ORZ(High Voltage)
Printer-NIP	22	44474002	OR-Board-ORZ	1	1	1	1	Board-ORZ(High Voltage)
Printer-NIP	24	44369801	Gear-Liftup-C	1	1	1	1	
Printer-NIP	25	44352601	Motor-DC(I)N	1	1	1	1	ID-Motor
Printer-NIP	26	44353601	Motor-Fan(Blower)	1	1	1	1	ID-Fan
Printer-NIP	27		CONN Cord- JST3P-INLET for 750MLK	1	1	1	1	
Printer-NIP	28		Plate-Assy-Board-A	1	1	1	1	
Printer-NIP	29	44454003	FG-Assy-Fuser	1	1	1	1	
Printer-NIP	30	44352501	Motor-FAN(60x25)	2	1	1	1	Front Fan/Rear Fan

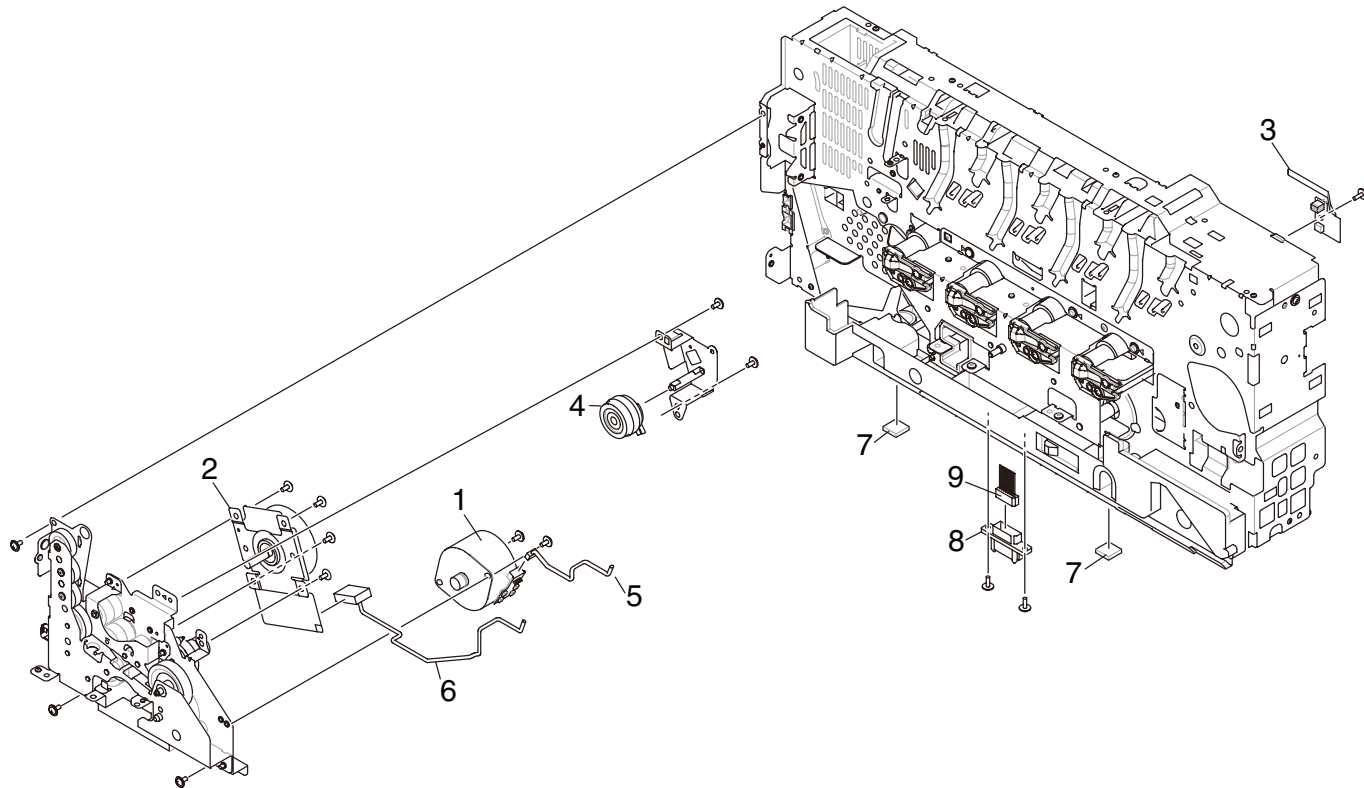
Unit Name	No.	Part No.	Part Name	Q'ty /Unit	Recommended Qty/Year			Remarks
					per 500	per 1000	per 2000	
Printer-NIP	31	44454101	Case-Cassette-Assy.-750	1	1	1	1	
Printer-NIP	32	44453801	Shaft-Liftup-Assy	1	1	1	1	
Printer-NIP	33		Plate-Logo	1	1	1	1	
Printer-NIP	34		Plate-Name_C332	1	1	1	1	
Printer-NIP	35	43073101	Motor_Pulse_HOP	1	1	1	1	
Printer-NIP	36		Holder Assy.-SoftSW	1	1	1	1	
Printer-NIP	37		Cover-WLAN	1	1	1	1	
Printer-NIP	38		Wireless LAN Module (DNUB-O1)	1	1	1	1	Only JPN
Printer-NIP	39		CONN Cord-AMP16P-AMP16P	1	1	1	1	PWR unit-PU
Printer-NIP	40		SMCD-24-62BD(1.0)	1	1	1	1	ORZ-PU
Printer-NIP	41		CONN Cord-JST9P-JST9P	1	1	1	1	ID Motor-PU
Printer-NIP	42		CONN Cord-JST3P-JST3P	1	1	1	1	Pow Save
Printer-NIP	43		CONN Cord-JST4P-JST4P	1	1	1	1	SSW-CUPU
Printer-NIP	44		CONN Cord-AMP4P-AMP4P	1	1	1	1	HopMotor-CUPU
Printer-NIP	45		CONN Cord-JST6P-JST6P	1	1	1	1	W-LAN
Printer-NIP	45		CONN Cord-JST6P-JST6P	1	1	1	1	W-LAN
Printer-NIP	46	44472601	Fuser Unit - 120V					120 Volt Fuse Assembly
Printer-NIP	47	44472201	Belt Unit					Transfer Belt Assembly

### Cover-OP-Assy-PX750



Unit Name	No.	Part No.	Part Name	Q'ty /Unit	Recommended Q'ty/Year			Remarks
					per 500	per 1000	per 2000	
Cover-OP-Assy-	1	44504602	OR-Board -IBB-2	1	1	1	1	
Cover-OP-Assy-	2		GS-CG16226YFBS-1S-R	1	1	1	1	Cyrillic
Cover-OP-Assy-	2		GS-CG16226YFBS-1R-R	1	1	1	1	JPN
Cover-OP-Assy-	2		SVC016002A-DYDC	1	1	1	1	Cyrillic
Cover-OP-Assy-	2		SVC016002A-CYDC	1	1	1	1	JPN
Cover-OP-Assy-	3		SMCD-12-217BD(1.0)	1	1	1	1	

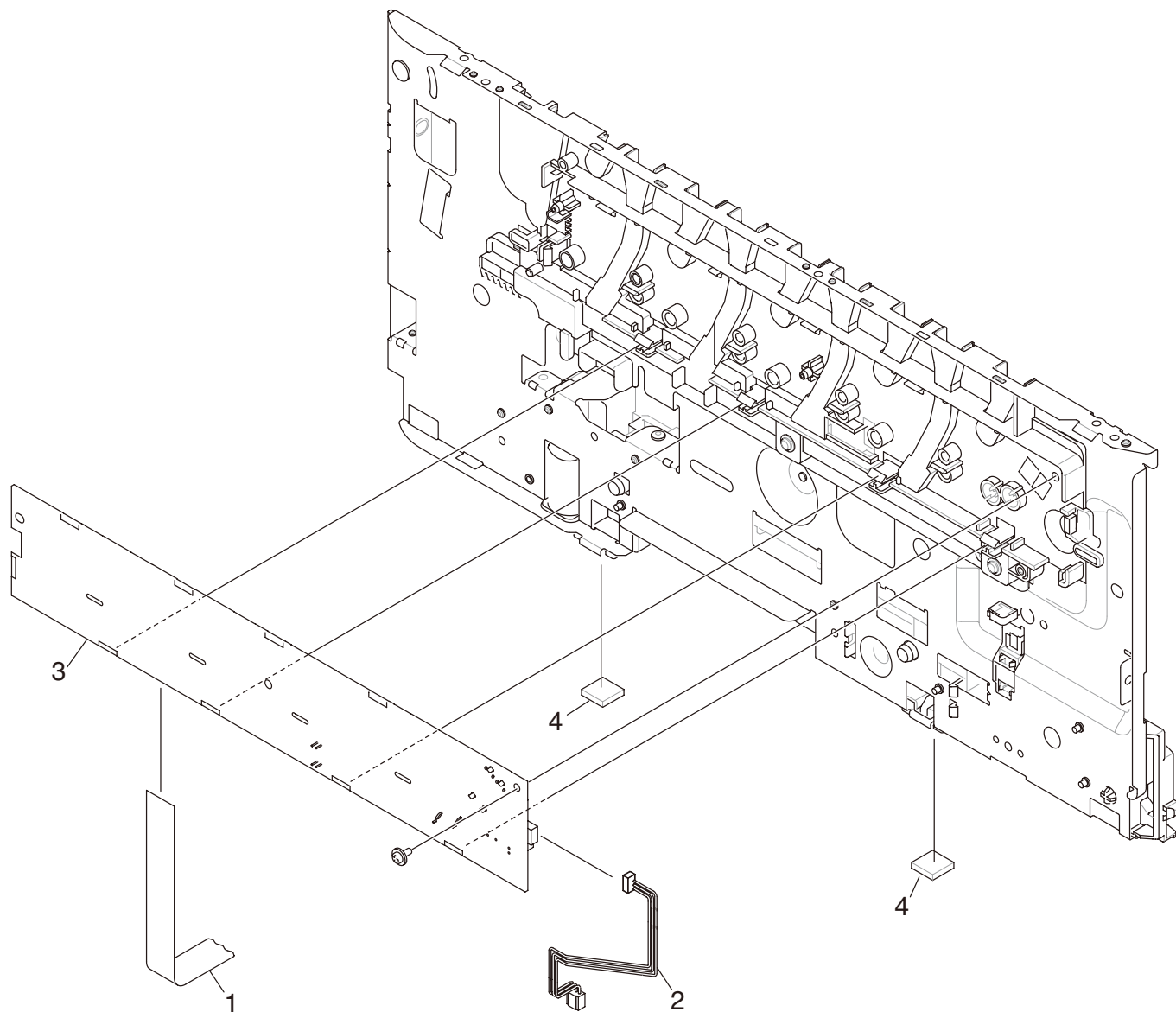
# Side-R Assy



Unit Name	No.	Part No.	Part Name	Q'ty /Unit	Recommended Q'ty/Year			Remarks
					per 500	per 1000	per 2000	
Side-R Assy	1	43073101	Motor_Pulse_HOP	1	1	1	1	Belt-Motor
Side-R Assy	2	44349601	Motor-DC(F)	1	1	1	1	Fuser-Motor
Side-R Assy	3	44505801	OR-DOD	1	1	1	1	Board-DOD
Side-R Assy	4	44369901	Gear Assy.-CL35Z25	1	1	1	1	Up/Down-CL
Side-R Assy	5		CONN Cord-AMP4P-AMP4P	1	1	1	1	Belt Motor-PU
Side-R Assy	6		CONN Cord-JST8P-JST8P	1	1	1	1	Fuser Motor-PU
Side-R Assy	7		Rubber-Foot	2	1	1	1	
Side-R Assy	8	56740480 (2233013P0080)	9715B-08Z02-G4C	1	1	1	1	
Side-R Assy	9	44430401	CONN Cord-AMP8P-AMP8P	1	1	1	1	

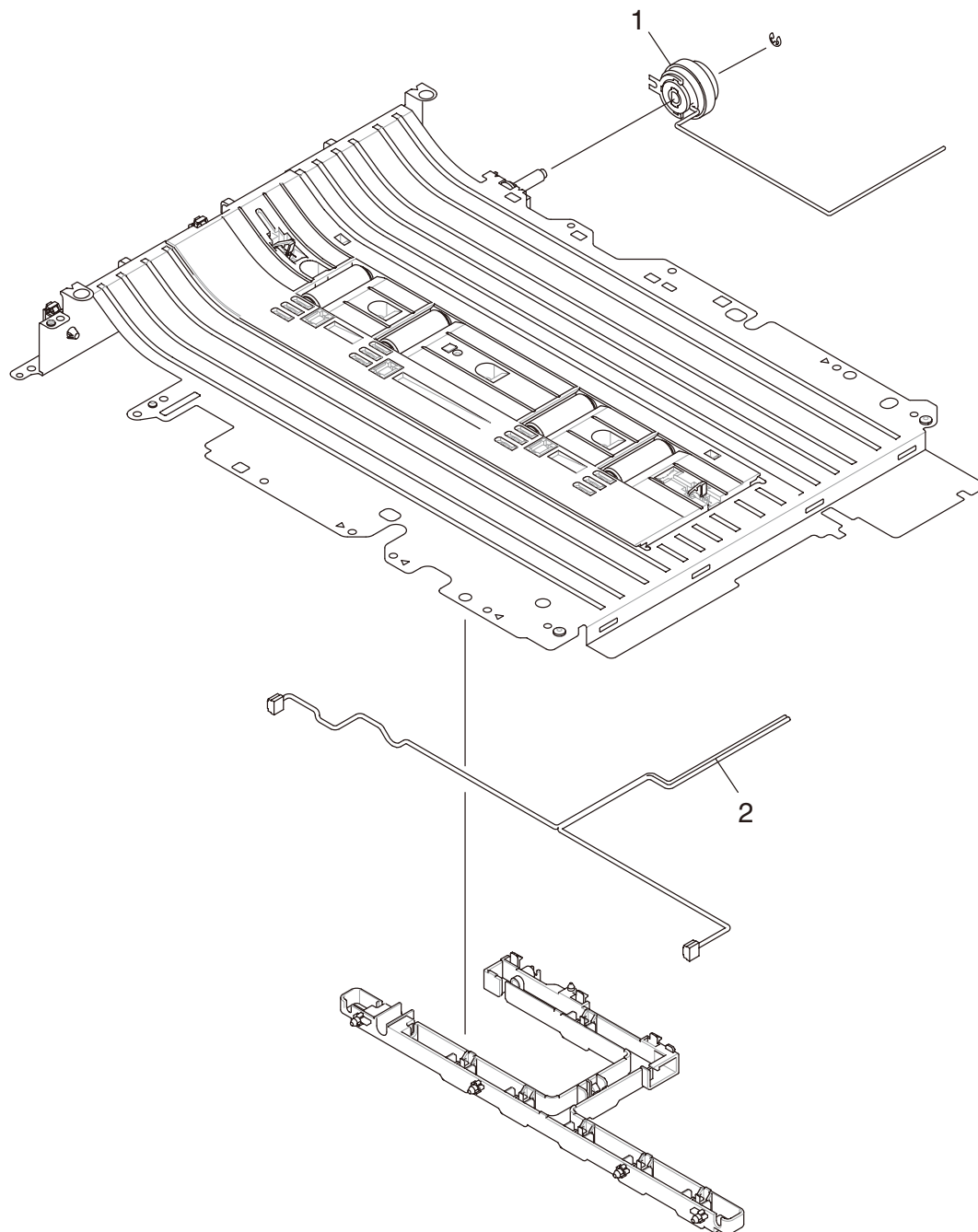


### Side-L Assy



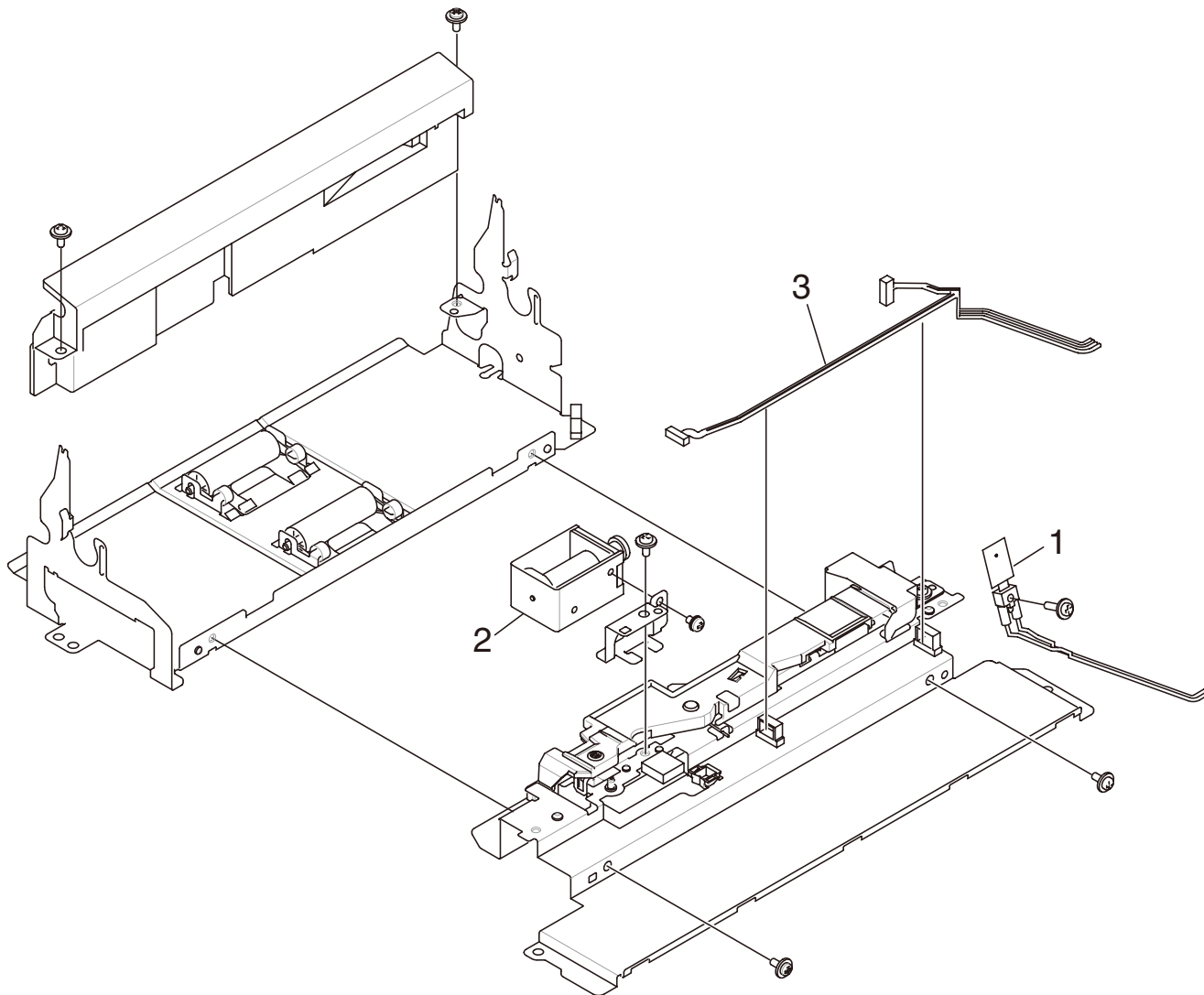
Unit Name	No.	Part No.	Part Name	Q'ty /Unit	Recommended Q'ty/Year			Remarks
					per 500	per 1000	per 2000	
Side-L Assy	1	46303905	FFC-P1.0_A_L525_N18	1	1	1	1	ZHE-PU
Side-L Assy	2		CONN Cord-AMP3P-AMP3P	1	1	1	1	ZHE-Cass. SNS
Side-L Assy	3	46374201	OR-Board-ZHE	1	1	1	1	Board-ZHE
Side-L Assy	4		Rubber-Foot	2	1	1	1	

# Base-Assy



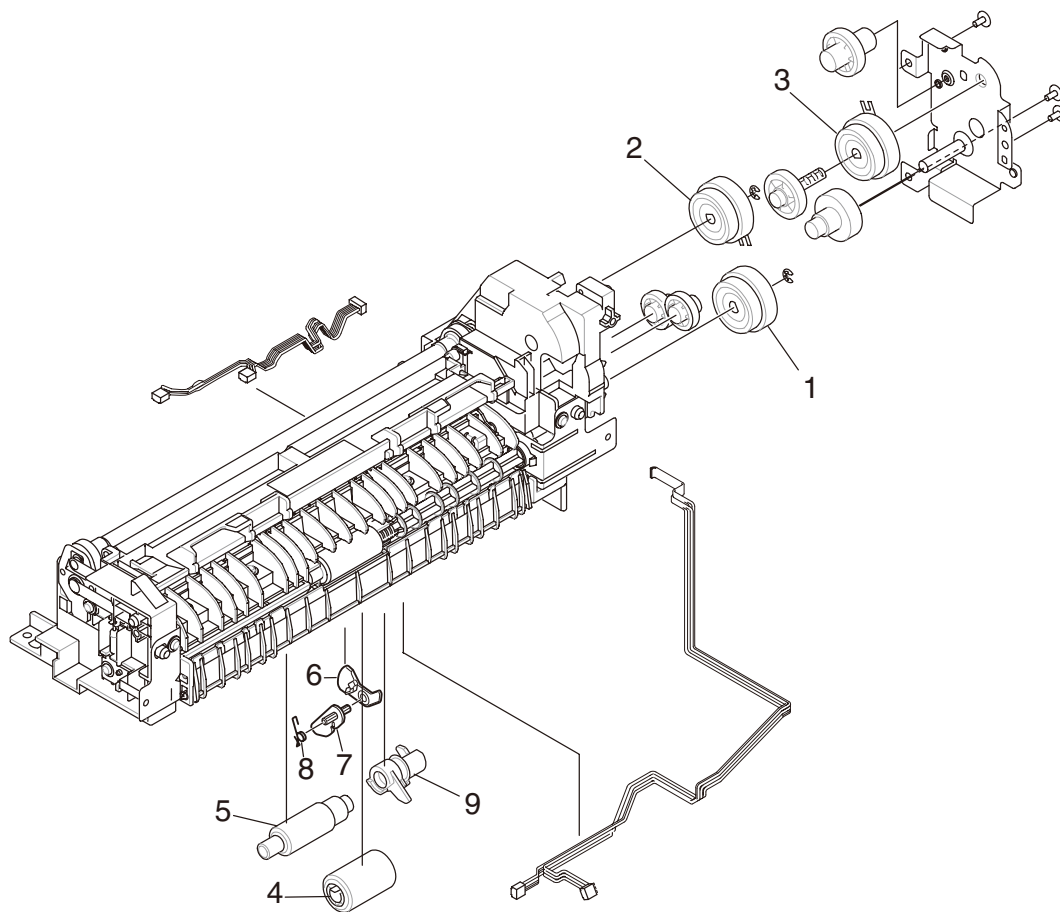
Unit Name	No.	Part No.	Part Name	Q'ty /Unit	Recommended Q'ty/Year			Remarks
					per 500	per 1000	per 2000	
Base-Assy	1	44354901	Gear-Assy.-CL25Z19	1	1	1	1	Duplex-CL
Base-Assy	2		CONN Cord-AMP6P-AMP3P_AMP3P	1	1	1	1	PU-Dup. SNS

### Sensor Assy.-Regist



Unit Name	No.	Part No.	Part Name	Q'ty /Unit	Recommended Q'ty/Year			Remarks
					per 500	per 1000	per 2000	
Sensor Assy.-Regist	1	42605201	Thermistor-Belt	1	1	1	1	
Sensor Assy.-Regist	2	42058304	Solenoid	1	1	1	1	Shutter
Sensor Assy.-Regist	3	46197701	CONN Cord-AMP10P-AMP5P_AMP5P	1	1	1	1	Sensor Assy-PU

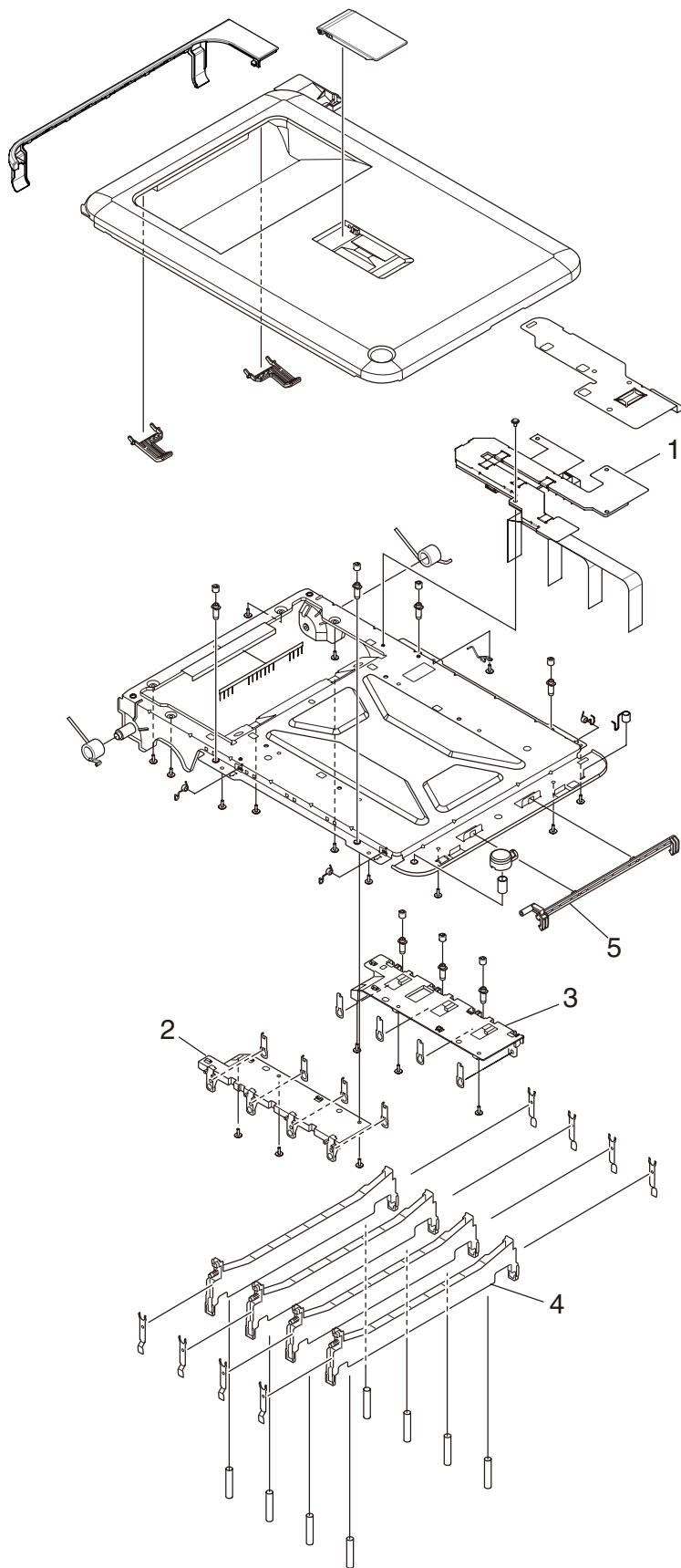
### Front Assy.-Hop/Reg



Unit Name	No.	Part No.	Part Name	Q'ty /Unit	Recommended Q'ty/Year			Remarks
					per 500	per 1000	per 2000	
Front Assy.-Hop/Reg	1	44261403	Clutch-3.5	1	1	1	1	Hop-CL
Front Assy.-Hop/Reg	2	44261404	Clutch-4.5	1	1	1	1	Reg-CL
Front Assy.-Hop/Reg	3	44261406	Clutch-3.5	1	1	1	1	MTP-CL
Front Assy.-Hop/Reg	4	44483301	Roller-Assy-Hopping	1	1	2	4	
Front Assy.-Hop/Reg	5	44483601	Roller-Assy-PickUp	1	1	2	4	
Front Assy.-Hop/Reg	6	44549801	Lever-End	1	1	1	1	
Front Assy.-Hop/Reg	7	45695901	Lever-End-Sub	1	1	1	1	
Front Assy.-Hop/Reg	8	44550001	Spring-Lever-End	1	1	1	1	
Front Assy.-Hop/Reg	9	44358001	Lever-Sensor-Hopping	1	1	1	1	

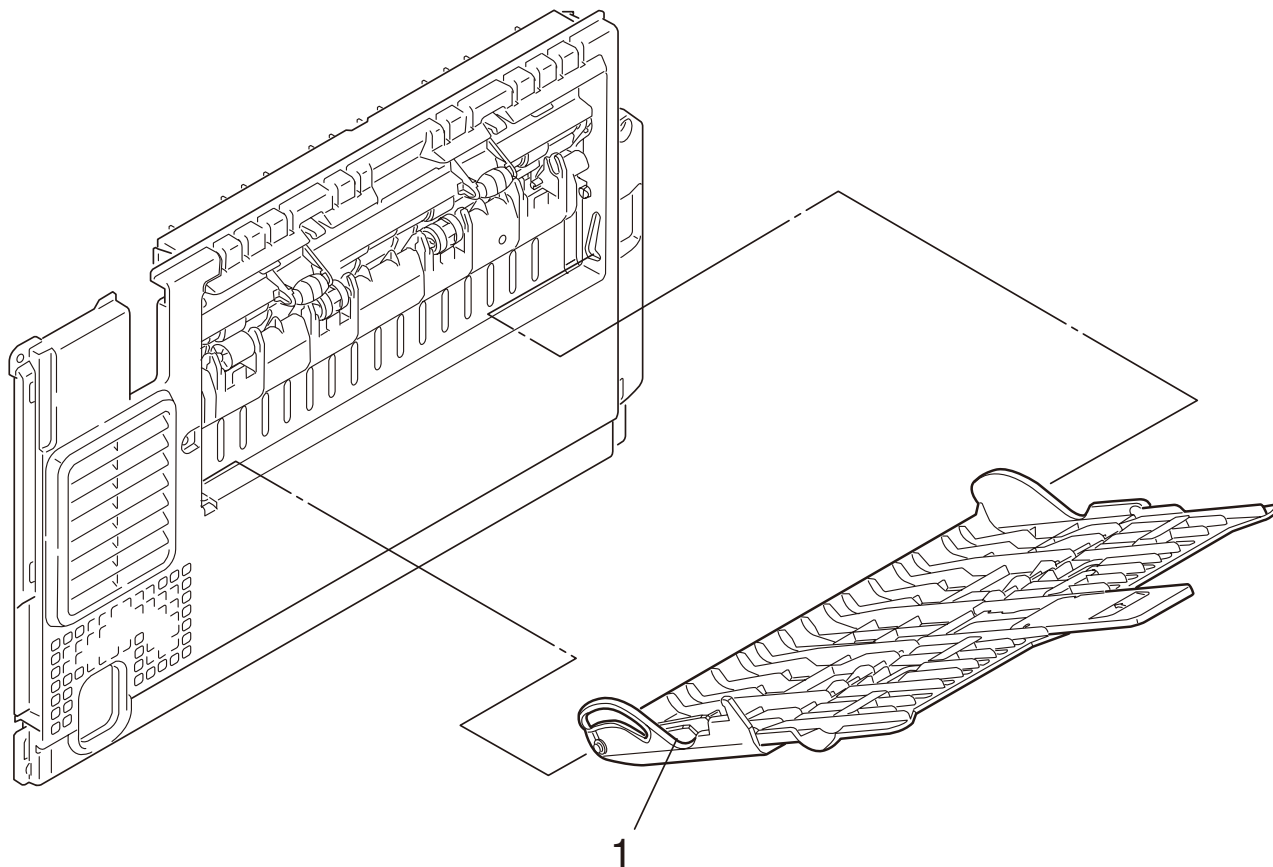


# Cover-Top-Assy



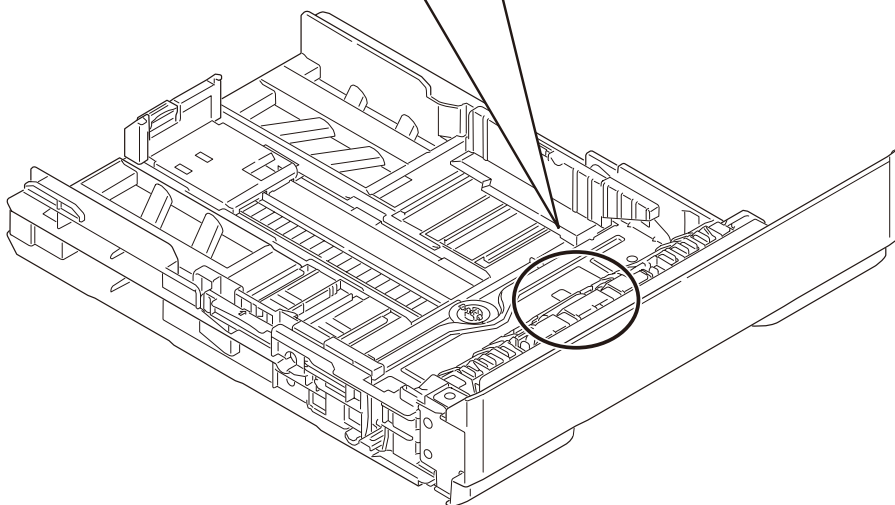
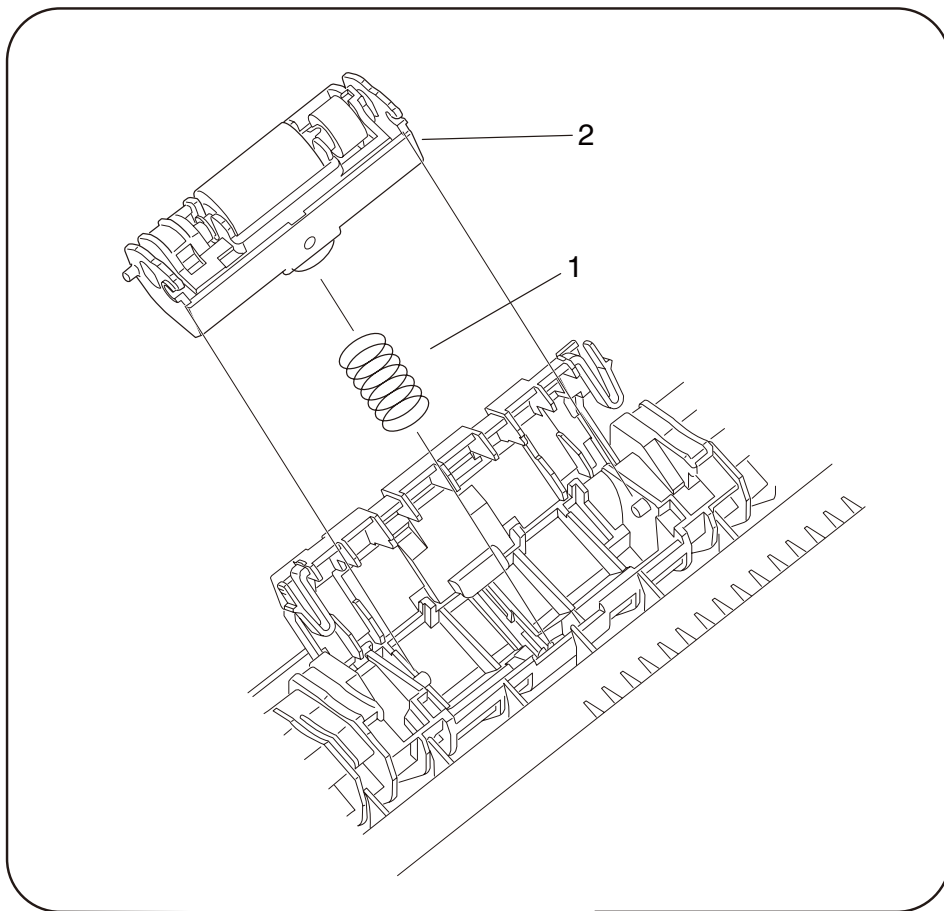
Unit Name	No.	Part No.	Part Name	Q'ty /Unit	Recommended Q'ty/Year			Remarks
					per 500	per 1000	per 2000	
Cover-Top-Assy	1	44498001	Cable-Head-Assy	1	1	1	1	
Cover-Top-Assy	2	46359801	Frame-Head L	1	1	1	1	
Cover-Top-Assy	3	46359901	Frame-Head R	1	1	1	1	
Cover-Top-Assy	4	46359701	Frame-Head	4	1	1	1	
Cover-Top-Assy	5	44366901	Lever-Lock-Top	1	1	1	1	

### Cover-Assy.-Rear



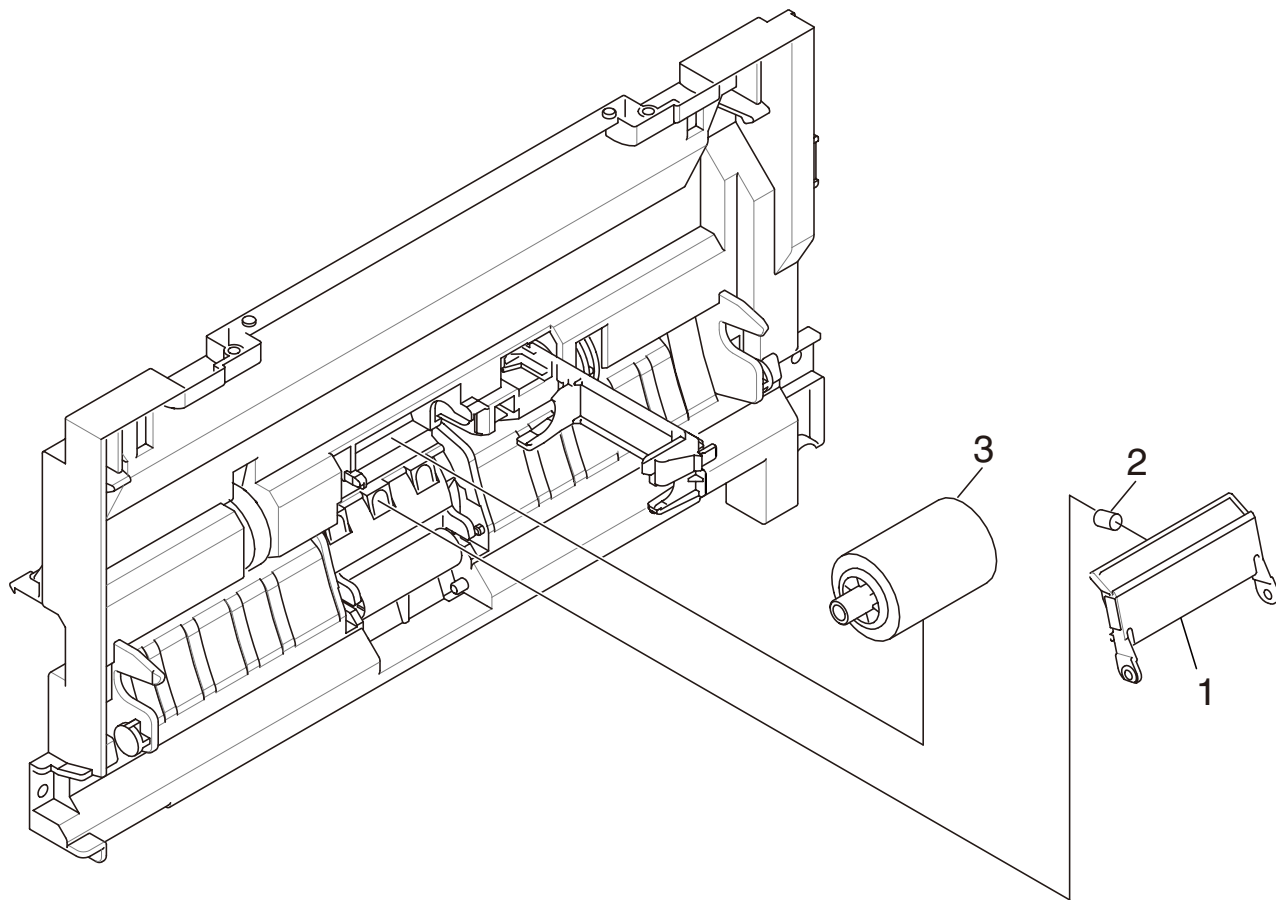
Unit Name	No.	Part No.	Part Name	Q'ty /Unit	Recommended Q'ty/Year			Remarks
					per 500	per 1000	per 2000	
Cover-Assy.-Rear	1	44369501	Cover-Assy.-Stacker	1	1	1	1	

### Case-Cassette-Assy.-750



Unit Name	No.	Part No.	Part Name	Q'ty /Unit	Recommended Q'ty/Year			Remarks
					per 500	per 1000	per 2000	
Case-Cassette-Assy.-750	1	43963101	Spring-Retard	1	1	1	1	
Case-Cassette-Assy.-750	2	44384701	Frame Assy.-Retard	1	1	1	1	

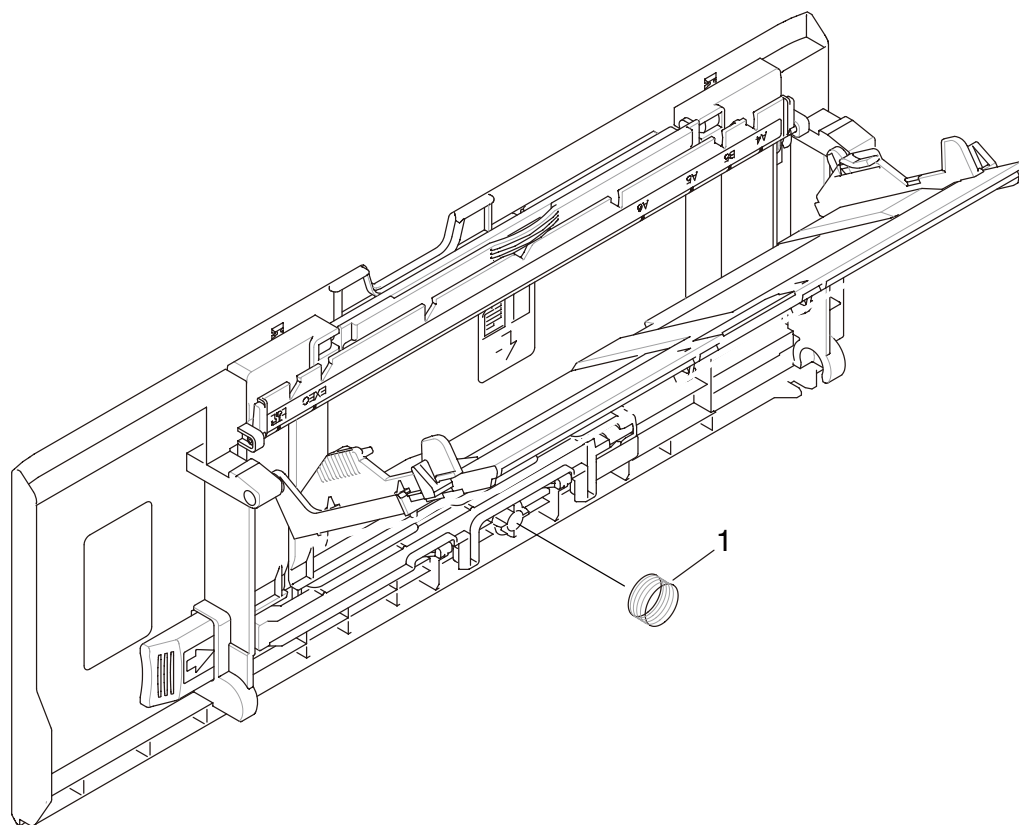
### Frame Assy.-MPT



Unit Name	No.	Part No.	Part Name	Q'ty /Unit	Recommended Q'ty/Year			Remarks
					per 500	per 1000	per 2000	
Frame Assy.-MPT	1	43922402	Frame Assy.-Separator	1	1	1	1	
Frame Assy.-MPT	2	44009301	Spring-Separator	1	1	1	1	
Frame Assy.-MPT	3	43922301	Roller-Assy-MPT	1	1	1	1	



### Cover Assy.-MPT



Unit Name	No.	Part No.	Part Name	Q'ty /Unit	Recommended Q'ty/Year			Remarks
					per 500	per 1000	per 2000	
Cover Assy.-MPT	1	42073501	Spring-Hopper	1	1	1	1	