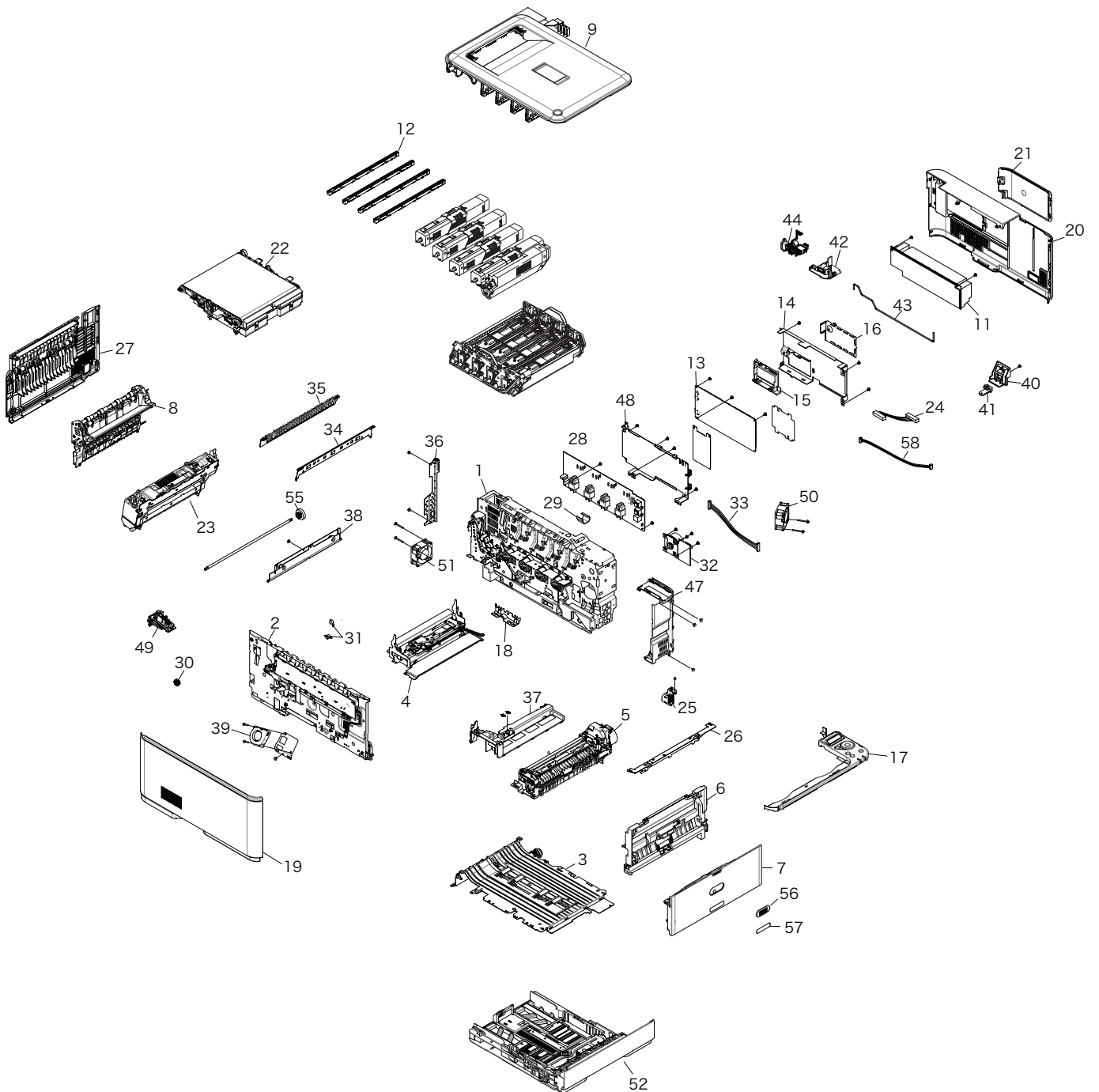


C330/C331
C530/C531
Spare Parts
Illustration Manual

073014G

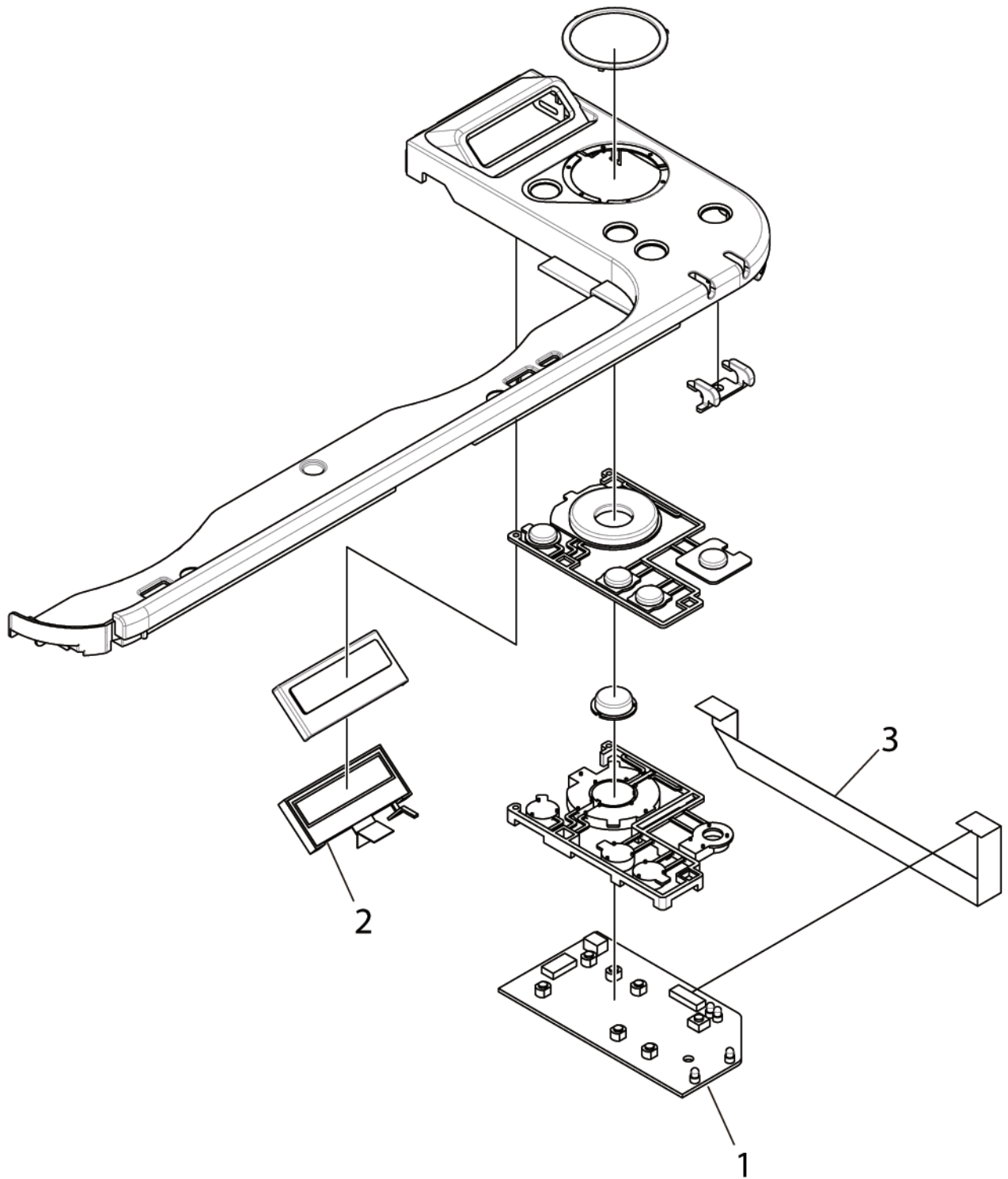
Printer NIP



No.	Part No.	Part Name	Recommended Q'ty/Year			Remarks
			per 500	per 1000	per 2000	
1		Side-R Assy	1	2	4	
10		Cover-Top-Sub	1	2	4	C510/C530
11	44149601	PWR unit-ACDC Switch(100V)	2	4	8	Power-Unit(Low-Voltage)
11	44149701	PWR unit-ACDC Switch(200V)	2	4	8	Power-Unit(Low-Voltage)
11	44883701	PWR unit-ACDC Switch(100V)	2	4	8	Low-Voltage C331 / C531
11	44883801	PWR unit-ACDC Switch(230V)	2	4	8	Low-Voltage C531
12	44317201	LED Head Unit-51TRA	2	4	8	600dpi
13		Board-SOS Maintenance spec.	2	4	8	Board PU/CU
13		Board-SOS Maintenance spec.	2	4	8	Board PU/CU
13		Board-SOS Maintenance spec.	2	4	8	Board PU/CU
13		Board-SOS Maintenance spec.	2	4	8	Board PU/CU
13	44856201	Board-IBA Maintenance spec.	2	4	8	Board PU/CU C531 ODA
13		Board-IBA Maintenance spec.	2	4	8	Board PU/CU C530 OEL
13		Board-IBA Maintenance spec.	2	4	8	Board PU/CU C530 JPN
13	44424011	Board-IBA Maintenance spec.	2	4	8	Board PU/CU C330 ODA
13		Board-IBA Maintenance spec.	2	4	8	Board PU/CU C330 OEL
13		Board-IBA Maintenance spec.	2	4	8	Board PU/CU C330 JPN
14	44370601	Plate-Board-B	1	2	4	C330/C530
14		Plate-Board-B-GDI	1	2	4	
15		Cover-Board	1	2	4	C330/C530
16		Plate-Board-C	1	2	4	C330/C530
17	44453601	Cover-OP-Assy	1	2	4	C330
17	44453602	Cover-OP-Assy	1	2	4	C530
17		Cover-OP-Assy	1	2	4	JPN C330
17		Cover-OP-Assy	1	2	4	JPN C530
18		Plate-Lockout	1	2	4	
19		Cover-Side L	1	2	4	
2		Side-L Assy.	1	2	4	
20		Cover-Side R	1	2	4	
21	44371901	Cover-IF	1	2	4	
22	44472201	Belt-Unit	35	70	140	ODA
22		Belt-Unit	35	70	140	OEL/AOS/KOR
23	44472601	Fuser-Unit_ 120V	50	100	200	ODA
23	44472602	Fuser-Unit_ 230V	50	100	200	ODA
23		Fuser-Unit_ 120V	50	100	200	OEL/AOS/KOR
24		CONN Cord-AMP16P-AMP16P	1	2	4	PWR unit-PU
24		CONN Cord-JST3P-JST3P	1	2	4	PWR unit-PU
25	44499201	Switch Assy.-InterLock	1	2	4	
26		Plate-Front	1	2	4	
27		Cover-Assy.-Rear	1	2	4	
28	44474001	OR-Board-ORZ	2	4	8	Board-ORZ(High Voltage)
29	2381028P0069	SMCD-24-62BD(1.0)	1	2	4	ORZ-PU
3		Base-Assy	1	2	4	
30	44369801	Gear-Liftup-C	1	2	4	
31		Spring-Fuse	1	2	4	
32	44352601	Motor-DC(I)N	1	2	4	ID-Motor(Suction)
32	44560001	Motor-DC(I)M	1	2	4	ID-Motor C331
33	44430001	CONN Cord-JST9P-JST9P	1	2	4	ID Motor-PU
34		Plate-Beam-FU	1	2	4	
35		Cover-Beam-FU	1	2	4	
36		Plate-Rear	1	2	4	
37		Cover-Code	1	2	4	
38		Plate-Bottom	1	2	4	
39	44353601	Motor-Fan(Blower)	1	2	4	ID-Fan

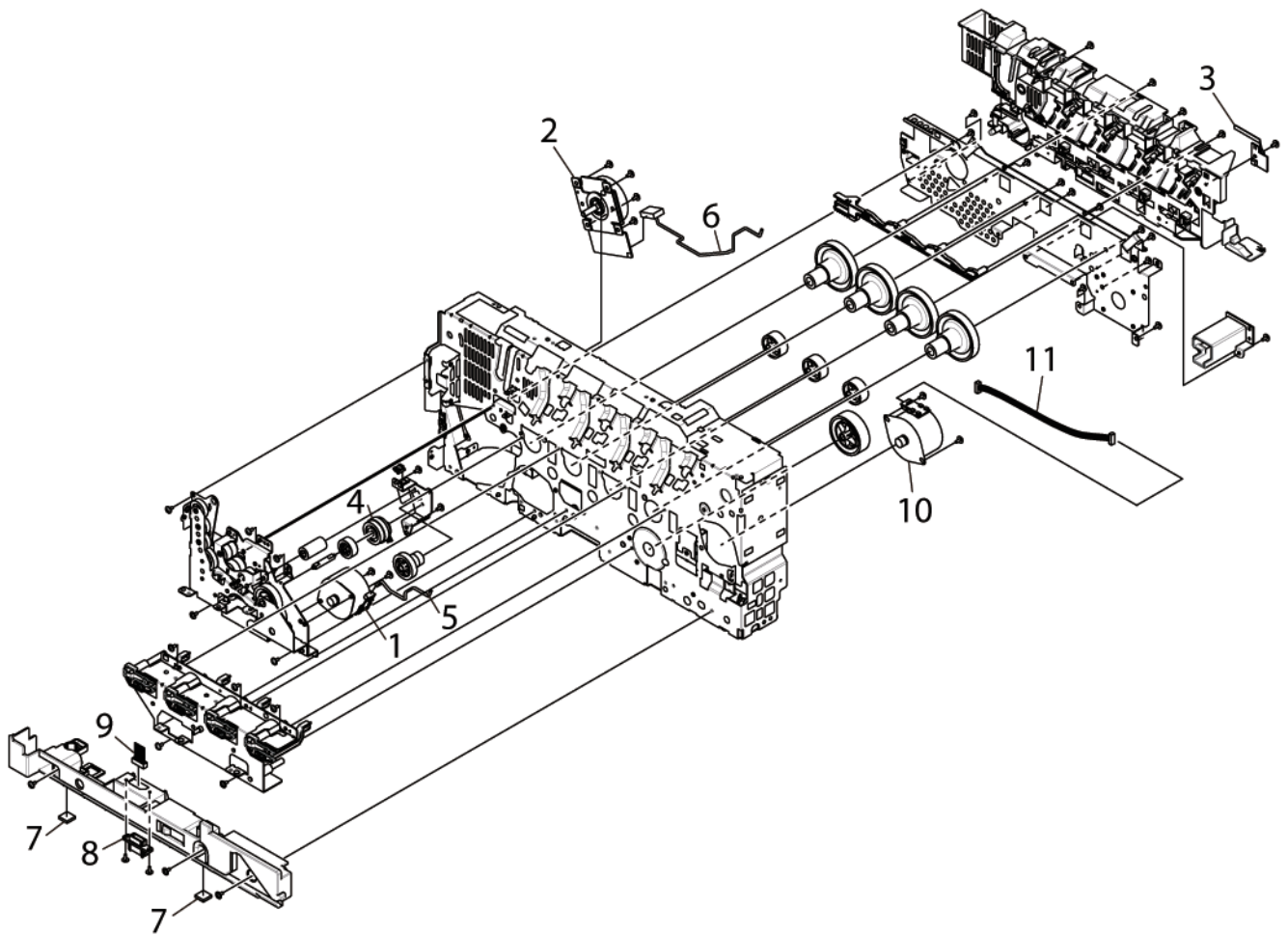
No.	Part No.	Part Name	Recommended Q'ty/Year			Remarks
			per 500	per 1000	per 2000	
4	44452601	Sensor Assy.-Regist	1	2	4	
40		Frame-AC-Front	1	2	4	
41		Frame-Switch-Front	1	2	4	
42		Frame-AC-Switch	1	2	4	
43		Shaft-AC	1	2	4	
44		ACINLET-SW-JST3P	1	2	4	
45	43073101	Motor_Pulse_HOP	1	2	4	Hopping-Motor
46	44430101	CONN Cord-AMP4P-AMP4P	1	2	4	Hop Motor-PU
47		Frame-MPT-Side	1	2	4	
48	44453901	Plate-Assy-Board-A	1	2	4	
49	44454001	FG-Assy-Fuser	1	2	4	
5		Front Assy.-Hop/Reg	1	2	4	
50	44352501	Motor-FAN(60x25)	1	2	4	Front-Fan
51	44352502	Motor-FAN(60x25)	1	2	4	Rear-Fan(Exhaust)
52	44454101	Case-Cassette-Assy.-750	1	2	4	
53	43922301	Roller-Assy-MPT	2	4	8	
54		CONN Cord-AMP8P-AMP8P	1	2	4	2nd Tray
55		Gear-Reduct-Liftup-B	1	2	4	
56		Plate-Logo	1	2	4	
57		Plate-name(C530)	1	2	4	C530dn
57		Plate-name(C510)	1	2	4	
57		Plate-name(C330)	1	2	4	C330dn
57		Plate-name(C310)	1	2	4	
6	44359201	Frame Assy.-MPT	1	2	4	
7	44359601	Cover Assy.-MPT	1	2	4	
8	44364101	Eject-Assy.-H	1	2	4	C530
8	44364102	Eject-Assy.-L	1	2	4	C330
9	44453501	Cover-Top-Assy-H	1	2	4	C530
9	44453502	Cover-Top-Assy-L	1	2	4	C330

Cover-OP-Assy-PX750



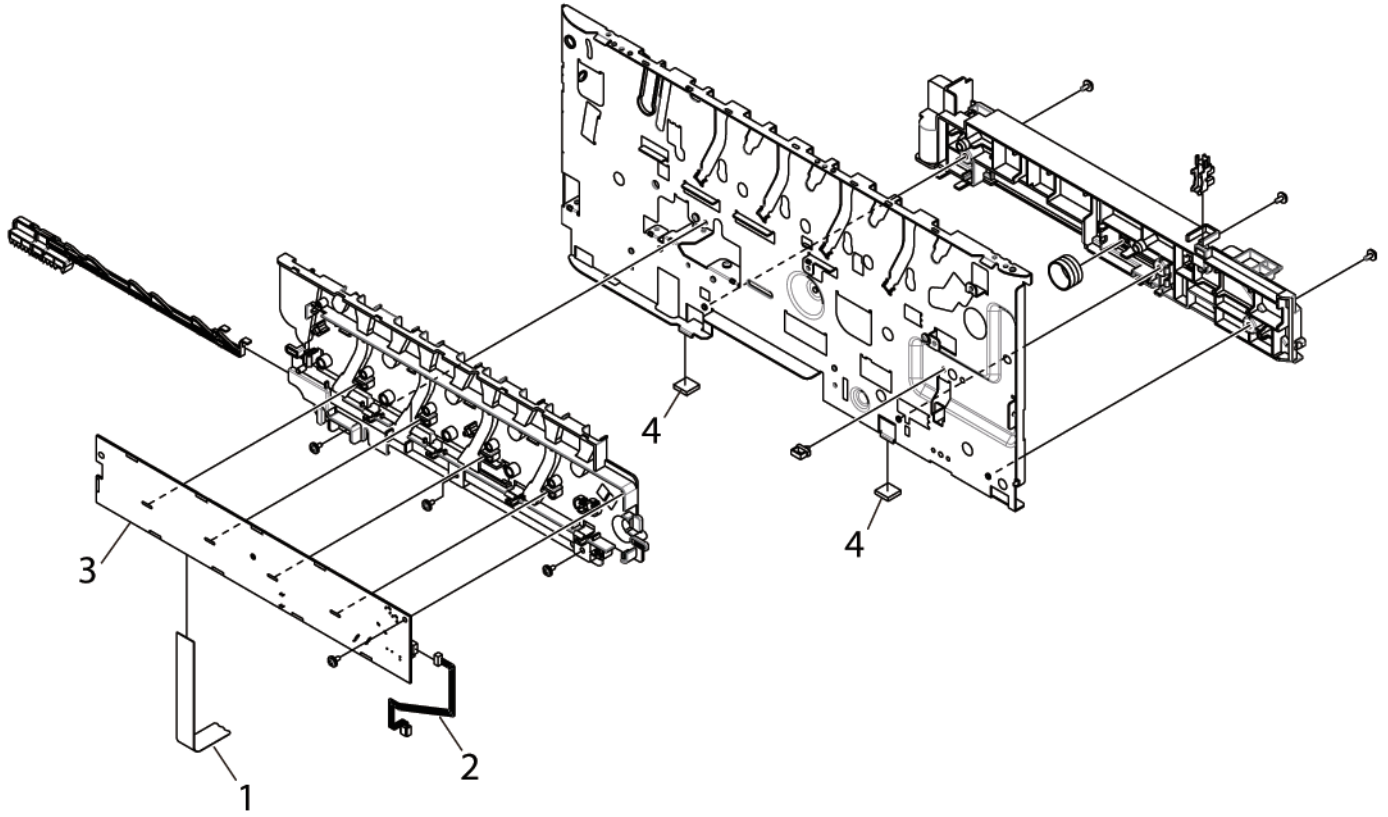
No.	Part No.	Part Name	Recommended Q'ty/Year			Remarks
			per 500	per 1000	per 2000	
1	44504602	OR-Board -IBB-2	1	2	4	C530
1		OR-ZHJ	1	2	4	C330
2		GS-CG16226YFBS-1S-R	1	2	4	Cyrillic
3		SMCD-12-217BD(1.0)	1	2	4	

Side-R Assy



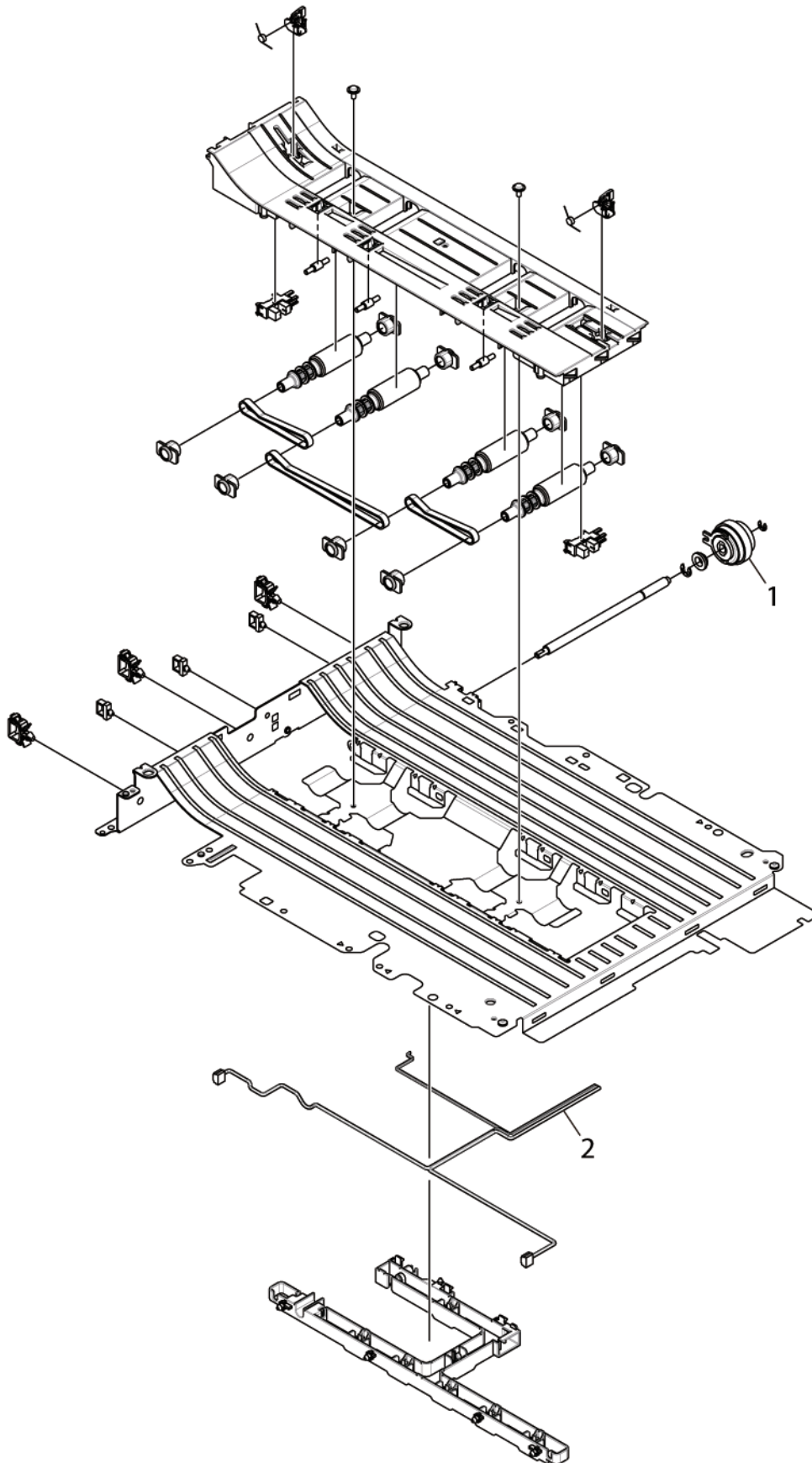
No.	Part No.	Part Name	Recommended Q'ty/Year			Remarks
			per 500	per 1000	per 2000	
1	43073101	Motor_Pulse_HOP	1	2	4	Belt-Motor
2	44349601	Motor-DC(F)	1	2	4	Fuser-Motor
3	44505801	OR-DOD	2	4	8	Board-DOD
4	44369901	Gear Assy.-CL35Z25	1	2	4	Up/Down-CL
5		CONN Cord-AMP4P-AMP4P	1	2	4	Belt Motor-PU
6	44430301	CONN Cord-JST8P-JST8P	1	2	4	Fuser Motor-PU
7		Rubber-Foot	1	2	4	

Side-L Assy



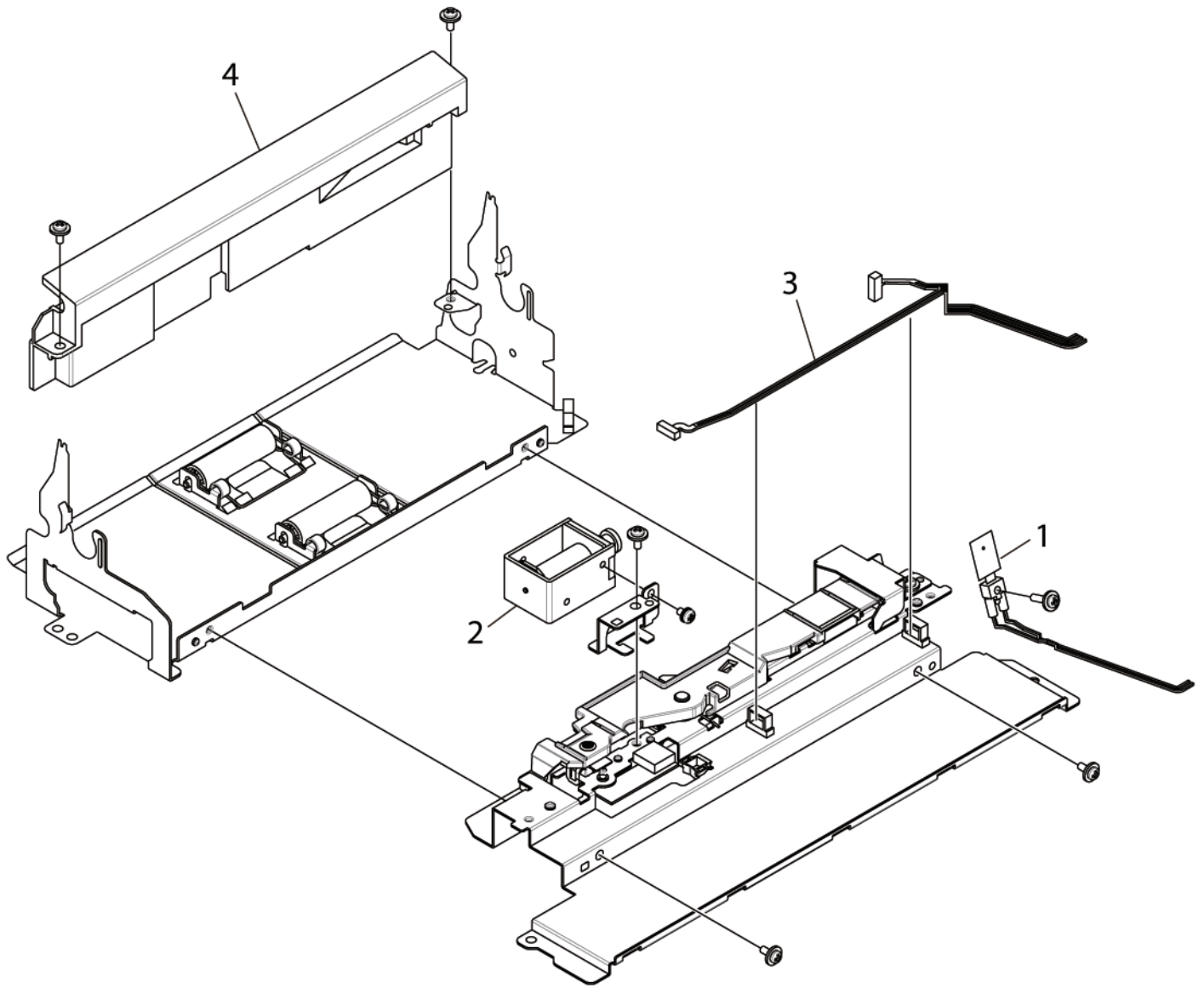
No.	Part No.	Part Name	Recommended Q'ty/Year			Remarks
			per 500	per 1000	per 2000	
1		SMCD-16-527BD(1.0)	1	2	4	ZHJ-PU
2		CONN Cord-AMP3P-AMP3P	1	2	4	ZHJ-Cass. SNS
3	44505601	OR-ZHJ	1	2	4	Board-ZHJ

Base-Assy



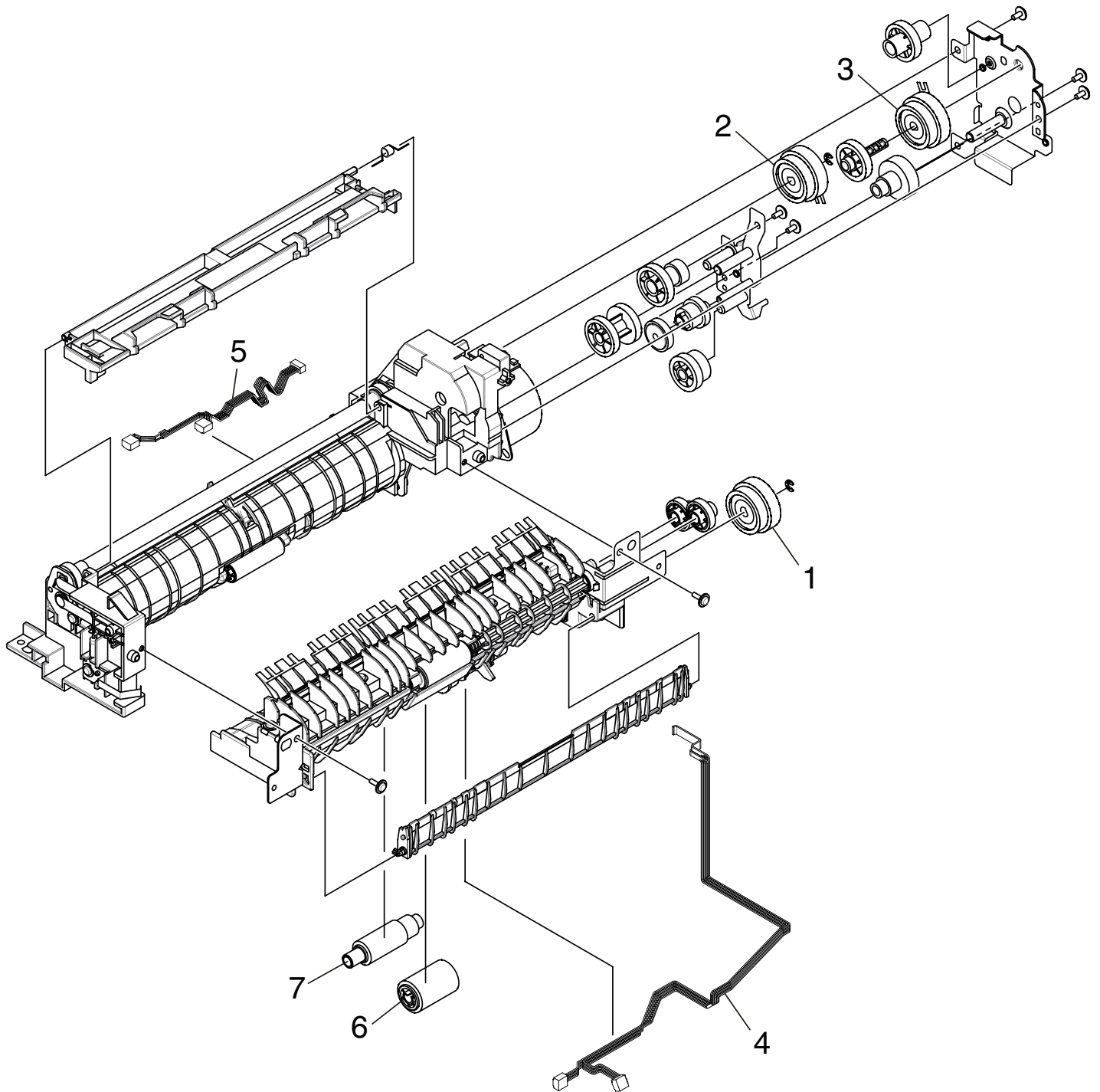
No.	Part No.	Part Name	Recommended Q'ty/Year			Remarks
			per 500	per 1000	per 2000	
1	44354901	Gear-Assy.-CL25Z19	1	2	4	Duplex-CL
2		CONN Cord-AMP6P-AMP3P	1	2	4	PU-Dup. SNS

Sensor Assy.-Regist



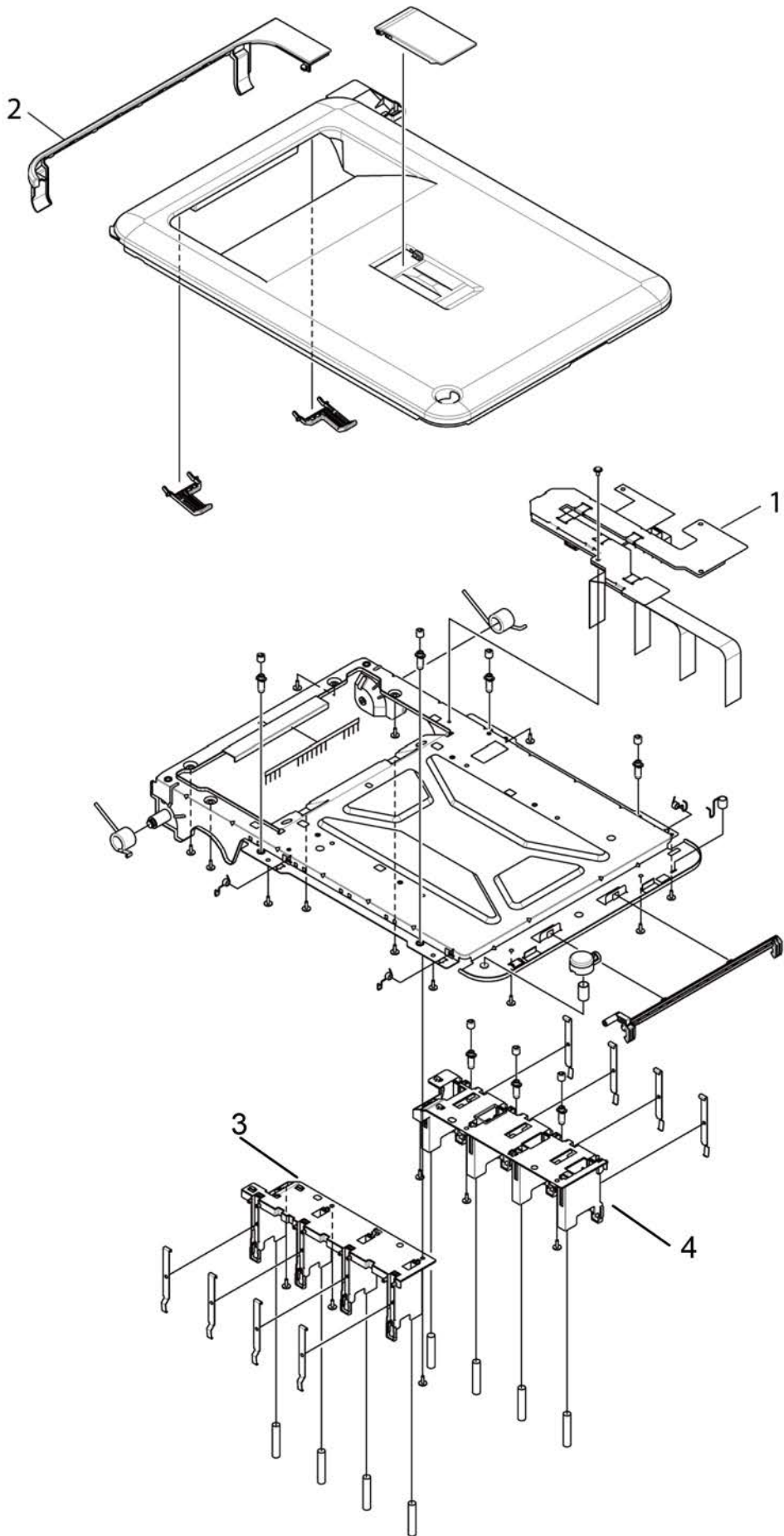
No.	Part No.	Part Name	Recommended Q'ty/Year			Remarks
			per 500	per 1000	per 2000	
1		Thermistor-Belt	1	2	4	
2		Solenoid	1	2	4	Shutter
3		CONN Cord-AMP10P- AMP5PAMP5P	1	2	4	Sensor Assy-PU
4		Guide-BF	1	2	4	

Front Assy.-Hop/Reg



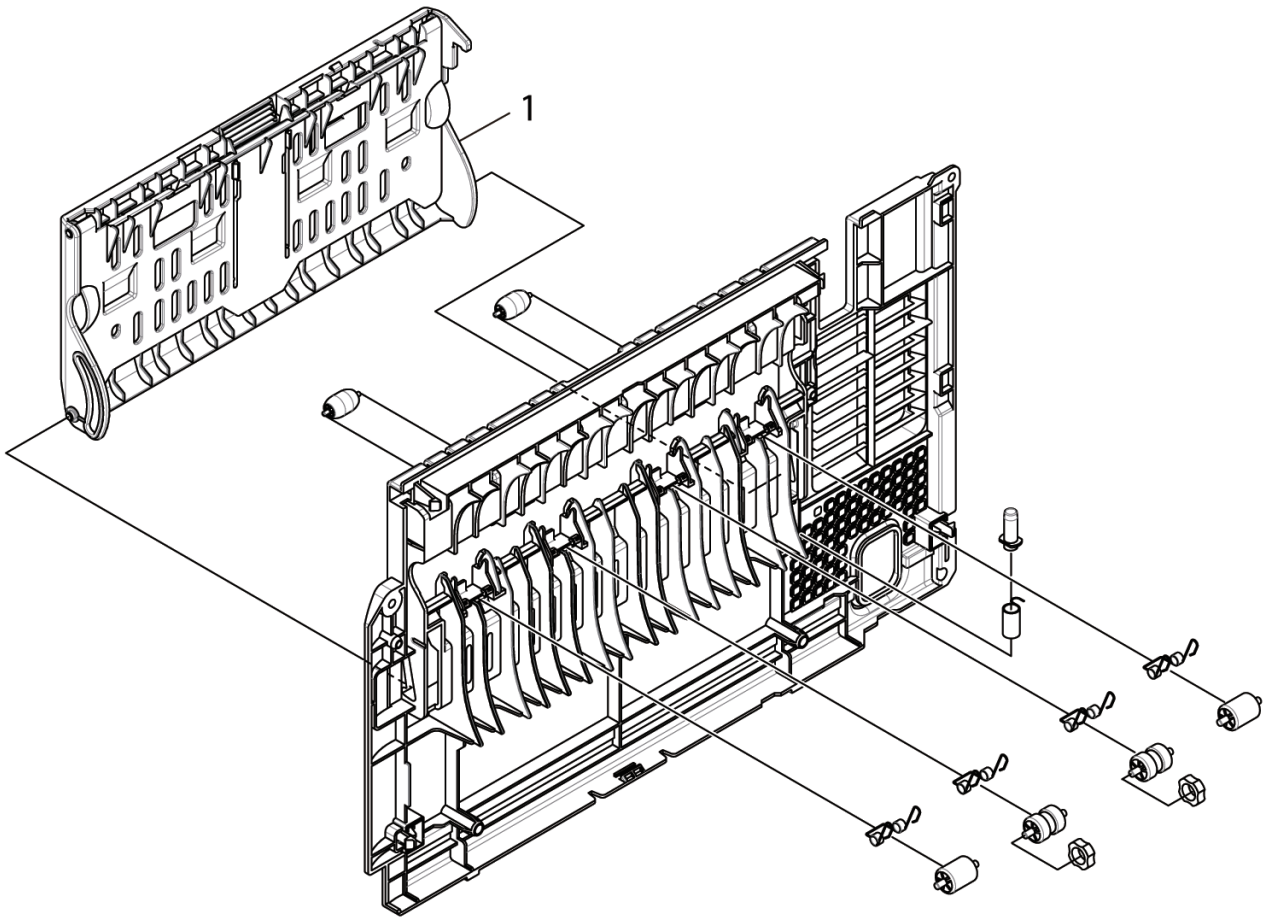
No.	Part No.	Part Name	Recommended Q'ty/Year			Remarks
			per 500	per 1000	per 2000	
1	44261403	Clutch-3.5	1	2	4	Hop-CL
2	44261404	Clutch-4.5	1	2	4	Reg-CL
3	44261406	Clutch-3.5	1	2	4	MTP-CL
4		CONN Cord-AMP6P-AMP3P-AMP3P	1	2	4	PU-Hop. SNS
5		CONN Cord-AMP7P-AMP3P-AMP3P	1	2	4	PU-Reg. SNS
6	44483301	Roller-Assy-Hopping	1	2	4	
7	44483601	Roller-Assy-PickUp	1	2	4	

Cover-Top-Assy



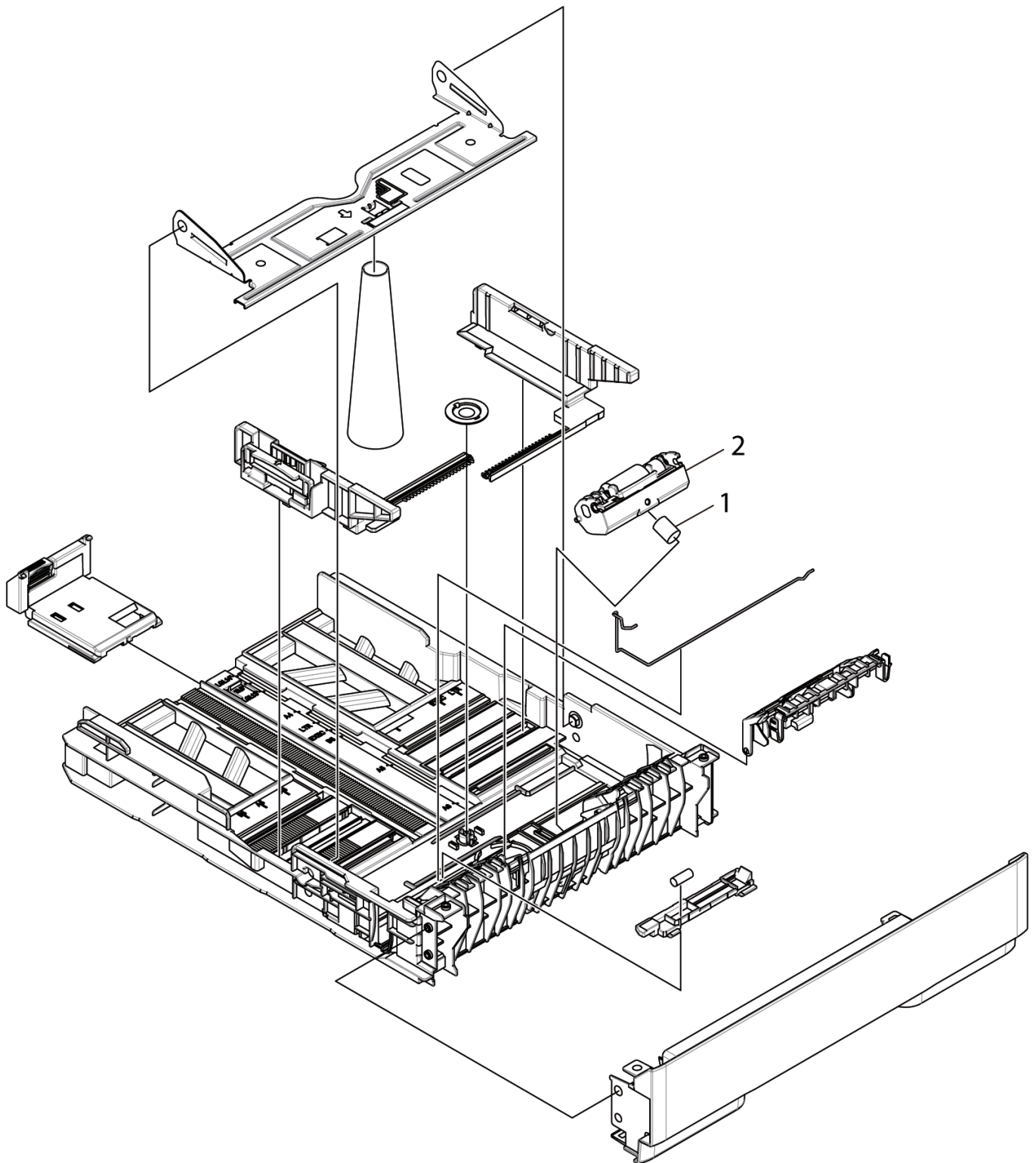
No.	Part No.	Part name	Recommended			Remarks
			per 500	per 1000	per 2000	
1	44498001	Cable-Head-Assy	1	2	4	
2						
3	44366601	Frame-Head-L				
4	44366701	Frame-Head-R				

Cover-Assy.-Rear



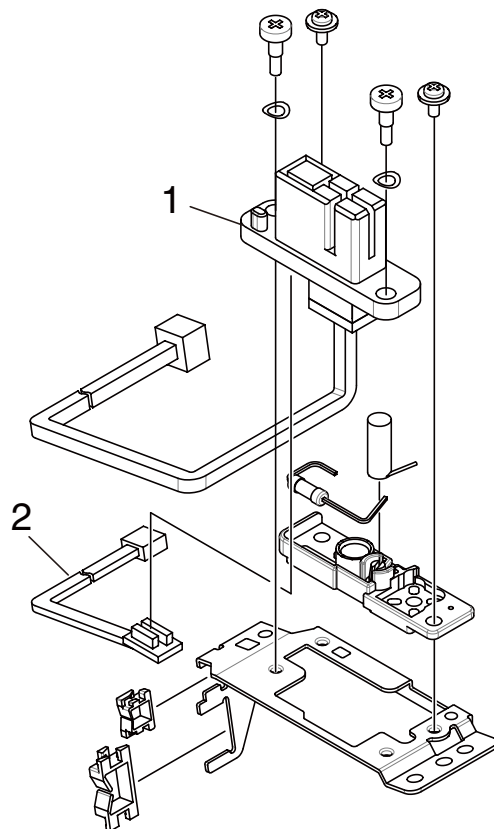
No.	Part No.	Part Name	Recommended Q'ty/Year			Remarks
			per 500	per 1000	per 2000	
1		Cover-Assy.-Stacker	1	2	4	

Case-Cassette-Assy.-750



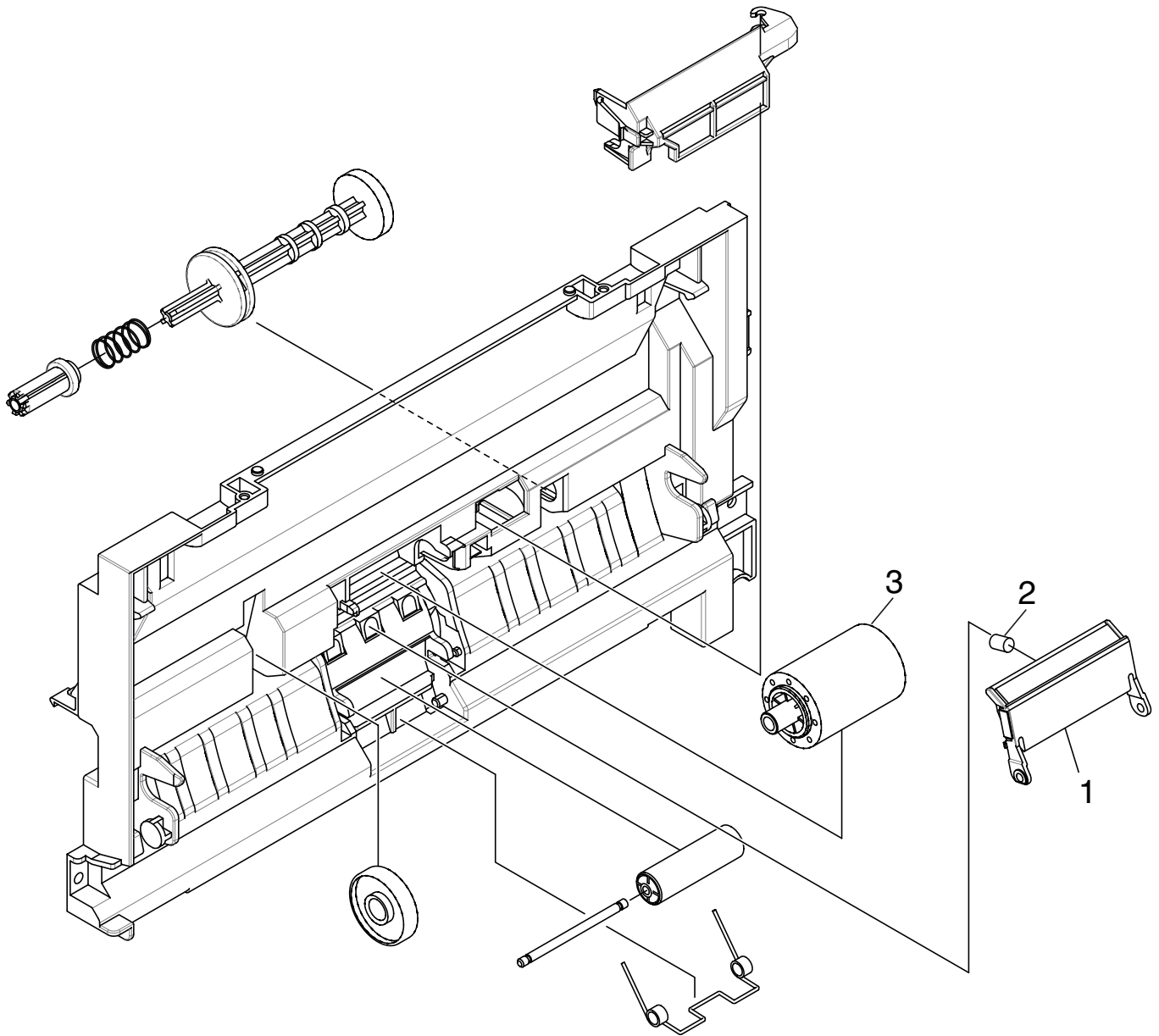
No.	Part No.	Part Name	Recommended Q'ty/Year			Remarks
			per 500	per 1000	per 2000	
1	43963101	Spring-Retard	1	2	4	
2	44384701	Frame Assy.-Retard	1	2	4	

FG-Assy-Fuser



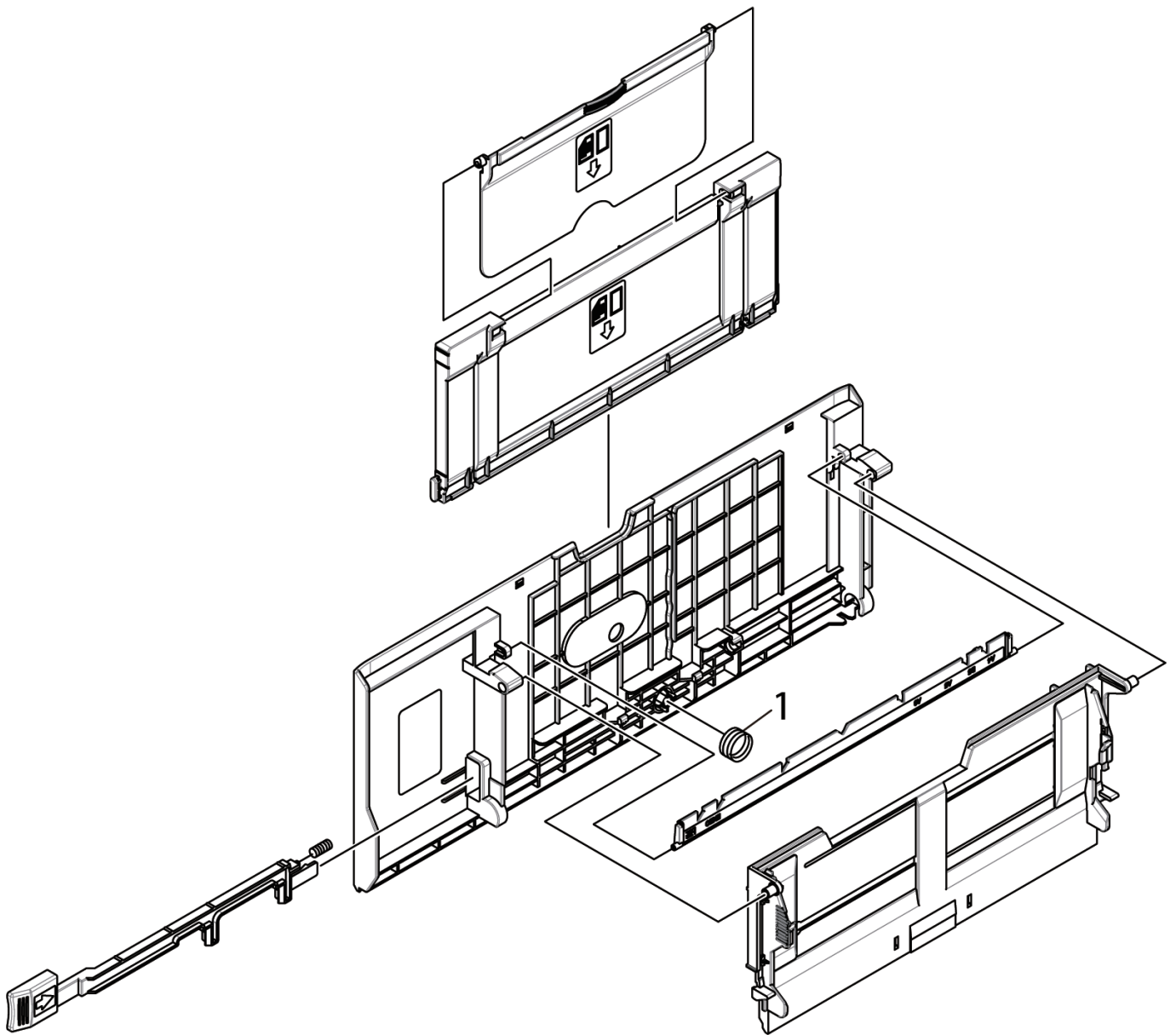
No.	Part No.	Part Name	Recommended Q'ty/Year			Remarks
			per 500	per 1000	per 2000	
1		CONN Cord-Drawer-JST4P	1	2	4	PU-Fuser
2		CONN Cord-JST8P-JST5PJST4P	1	2	4	PU-Fuser

Frame Assy.-MPT



No.	Part No.	Part Name	Recommended Q'ty/Year			Remarks
			per 500	per 1000	per 2000	
1	43922402	Frame Assy.-Separator	2	4	8	
2	44009301	Spring-Separator	1	2	4	

Cover Assy.-MPT



No.	Part No.	Part Name	Recommended Q'ty/Year			Remarks
			per 500	per 1000	per 2000	
2	44009301	Spring-Separator	1	2	4	