

OKI

**C3200n/C5150n/C5200n
C5400n/C5510nMFP
ES1624nMFP
Spare Parts
Illustration Manual**

080312C

Copyright Information

Copyright © 2007 by Oki Data. All Rights Reserved

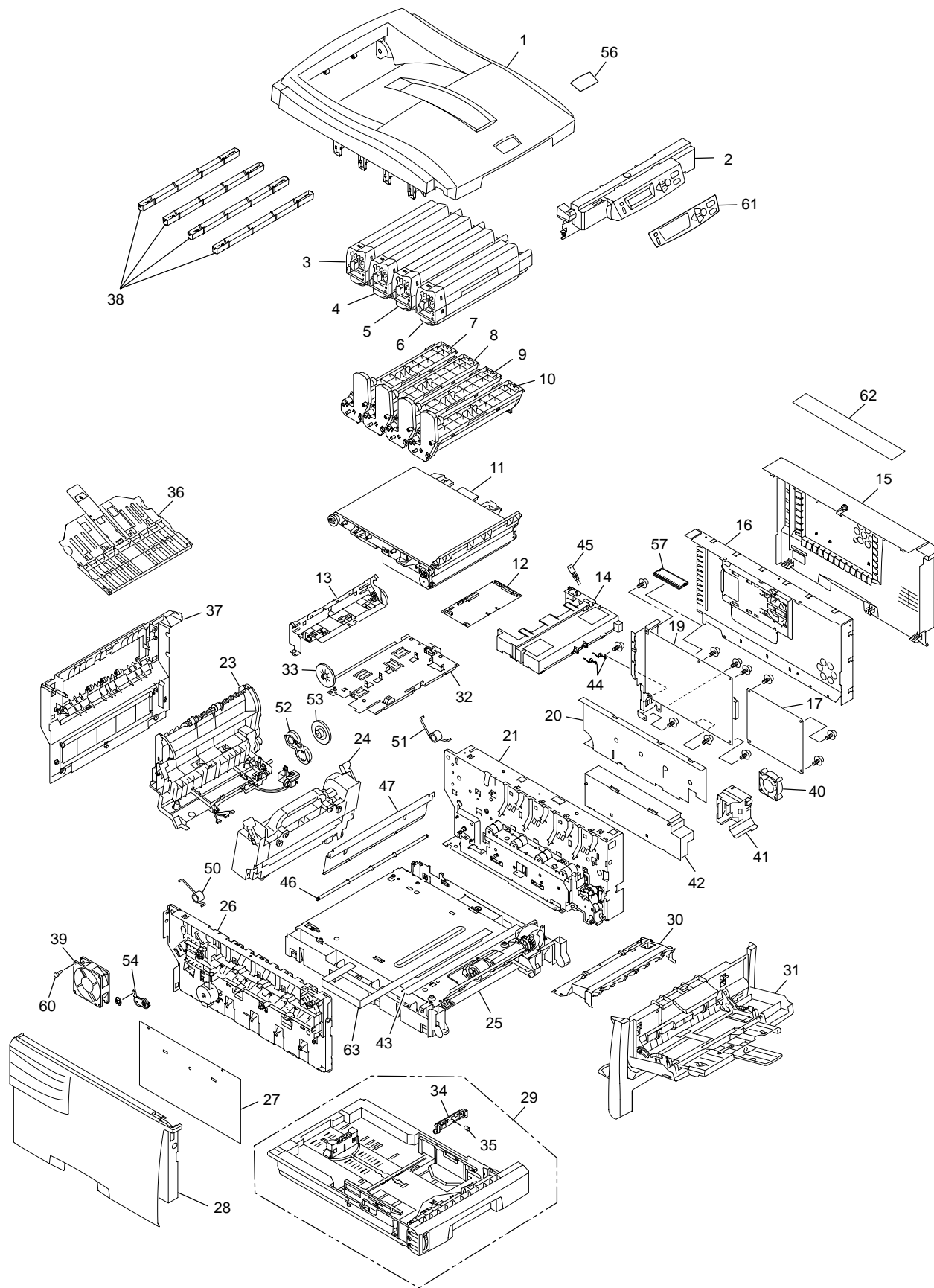
Disclaimer

Every effort has been made to ensure that the information in this document is complete, accurate, and up-to-date. The manufacturer assumes no responsibility for the results of errors beyond its control. The manufacturer also cannot guarantee that changes in software and equipment made by other manufacturers and referred to in this guide will not affect the applicability of the information in it. Mention of software products manufactured by other companies does not necessarily constitute endorsement by the manufacturer.

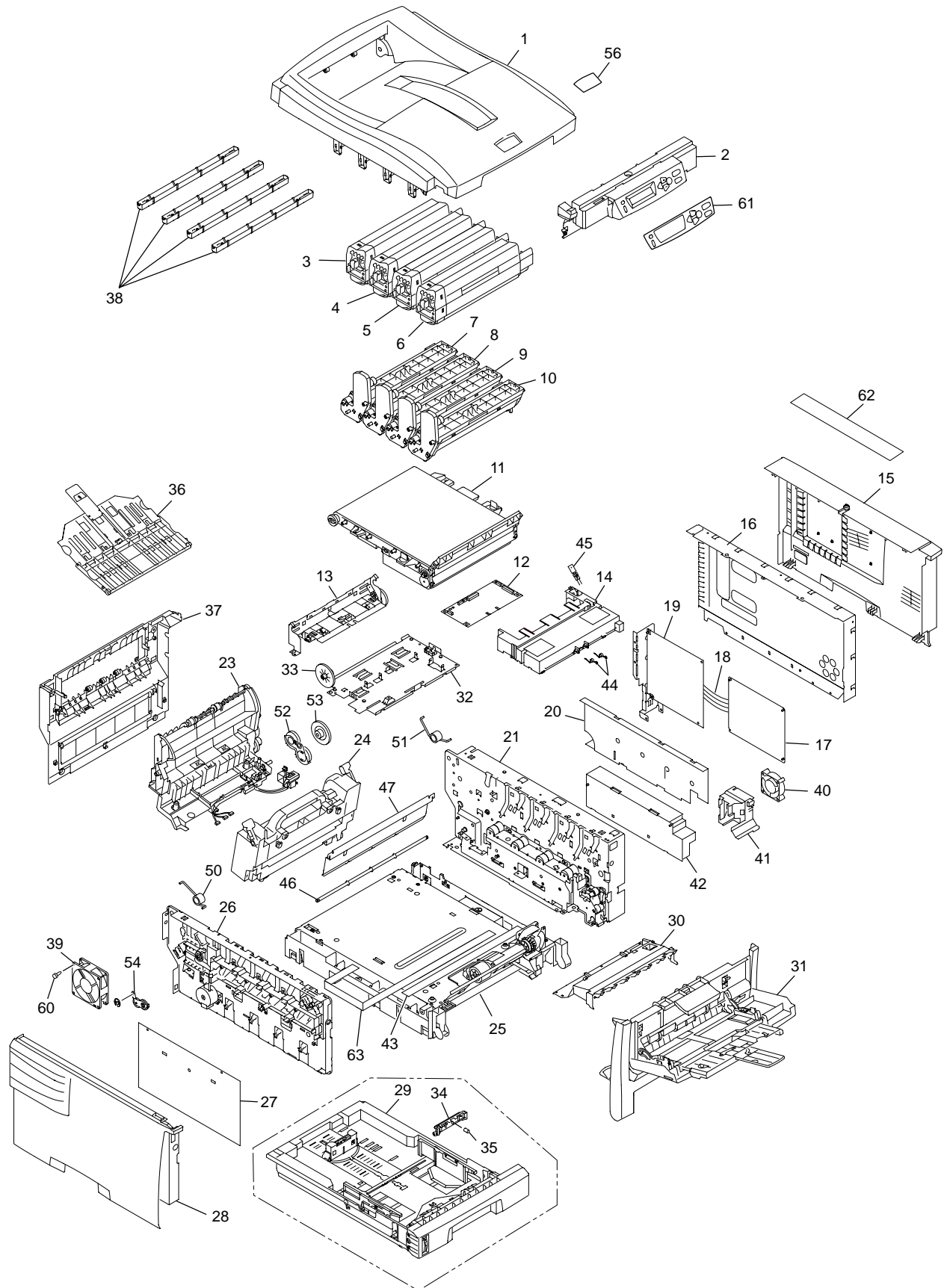
While all reasonable efforts have been made to make this document as accurate and helpful as possible, we make no warranty of any kind, expressed or implied, as to the accuracy or completeness of the information contained herein.

The most up-to-date drivers and manuals are available from the web site:
<http://www.okiprintingsolutions.com>

Parts Layout (C5400n/C5400/ES1624n)



Parts Layout (C5200n/C5150n/C3200n)



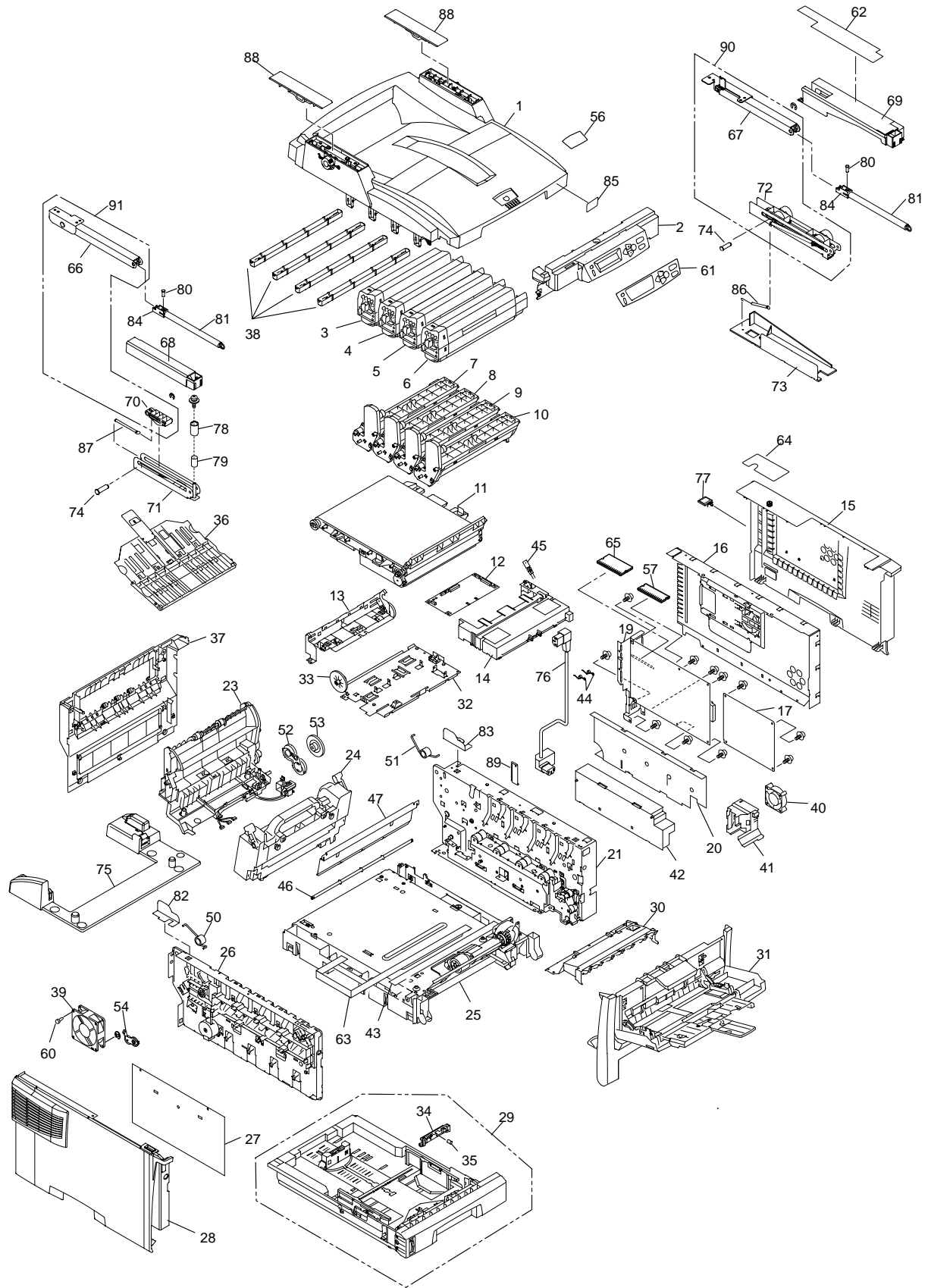
Parts Layout

No.	Parts No.	Name	Remarks
1	42074501	Top Cover Assy	
2	42622601	Control Panel Assy	
12	42613401	Board-PRM	
13	42626501	Sensor-Assy-Color-Regist	
14		Cover-Driver	
15	42079601	Cover-Assy-SideR	C5400n
	42622901	Cover-Assy-SideR	C5200n,C5150n,C3200n
16	42622301	Plate-Assy-Shield (PCL)	C5400n
	42622201	Plate-Assy-Shield (GDI)	C5200n,C5150n,C3200n
17	42613301	Print Engine Controller PWB PRN	C5400n,C5200n,C5150n
		Print Engine Controller PWB PRN	C3200n
18	42141601	CONN Cord	
19	42493403	Controler Board CU (PCL)	C5400n (Board SPA-3)
	42373503	Controler Board CU (GDI)	C5200n (Board ARC-3)
	42373504	Controler Board CU (GDI)	C5150n (Board ARC-4)
	42810503	Controler Board CU (GDI)	C5200n (Rev B) (Board SPY-3)
	42810504	Controler Board CU (GDI)	C5150n (Rev B) (Board SPY-4)
	42810506	Controler Board CU (GDI)	C3200n (Board SPY-6)
20		Film-Insulation	
21	42053502	Plate-Assy-Side-R	
	42053504	Plate-Assy-Side-R	C3200n
23	42621501	Eject-Assy	
25	42049504	Base-Assy	
	42049503	Base-Assy	C3200n
26	42060003	Plate-Assy-Side-L	
27	42501201	Power Unit High Voltage	
28	42465402	Cover-SideL	
29	42087001	Cassette Assy	
30		Cover Assy-Hopping	
31	42069003	Feeder-Unit	
32		Plate-Driver	
33	42062401	Gear-Idle-Belt	
34	42088801	Friction Pad Assy	
35	42089001	Friction Pad Assy-Springs	
36	42078301	Cover Assy Face Up	
37	42077602	Cover Sub Assy Rear	
38	42143103	LED HEAD Unit 51MXE3	600DPI
39	42396101	Motor FAN (80)	FUSER
40	42605301	Motor FAN (ID)	
41		Frame Duct	
42	43054001	Power Unit (LOW Voltage)	100-120V
42	42825702	Power Unit (LOW Voltage)	230V
43		TW VF 12-01x06-460	
44		Spring Belt Fuse	
45	42605201	Thermistor	
46		Shaft Lift Up	
47		Plate Heat	
50		Spring Torsion (L)	
51		Spring Torsion (R)	

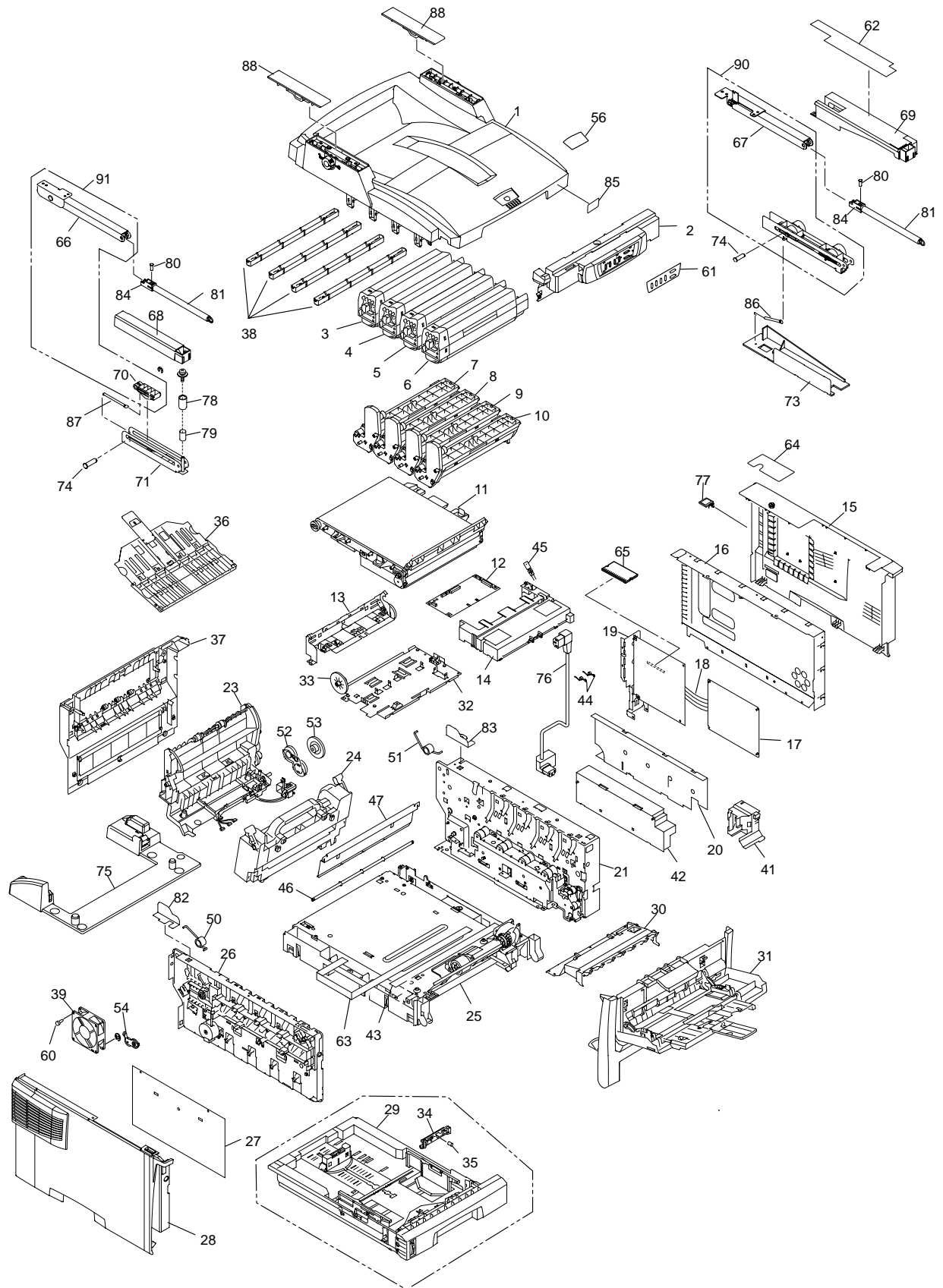
Parts Layout

No.	Parts No.	Name	Remarks
52	42063701	Gear Assy Planet	
53	42064101	Gear Idle Heat (Z14-102)	
54	42066501	Gear Assy Planet L	
55	42010624	ROM DIMM (P-ROM)	C5400n F/W Ver V1.36
	42010615	ROM DIMM (P-ROM)	C5400 F/W Ver W1.15
60	42677001	Rubber-Post	
61	42068410	Control Panel Sheet	C5400n,C5200n,C5150n
	42068412	Control Panel Sheet	C3200n
62		Label-Color-ID	
63		CONN-Cord-flexy DP	PU-PRM

Parts Layout (ES1624nMFP)



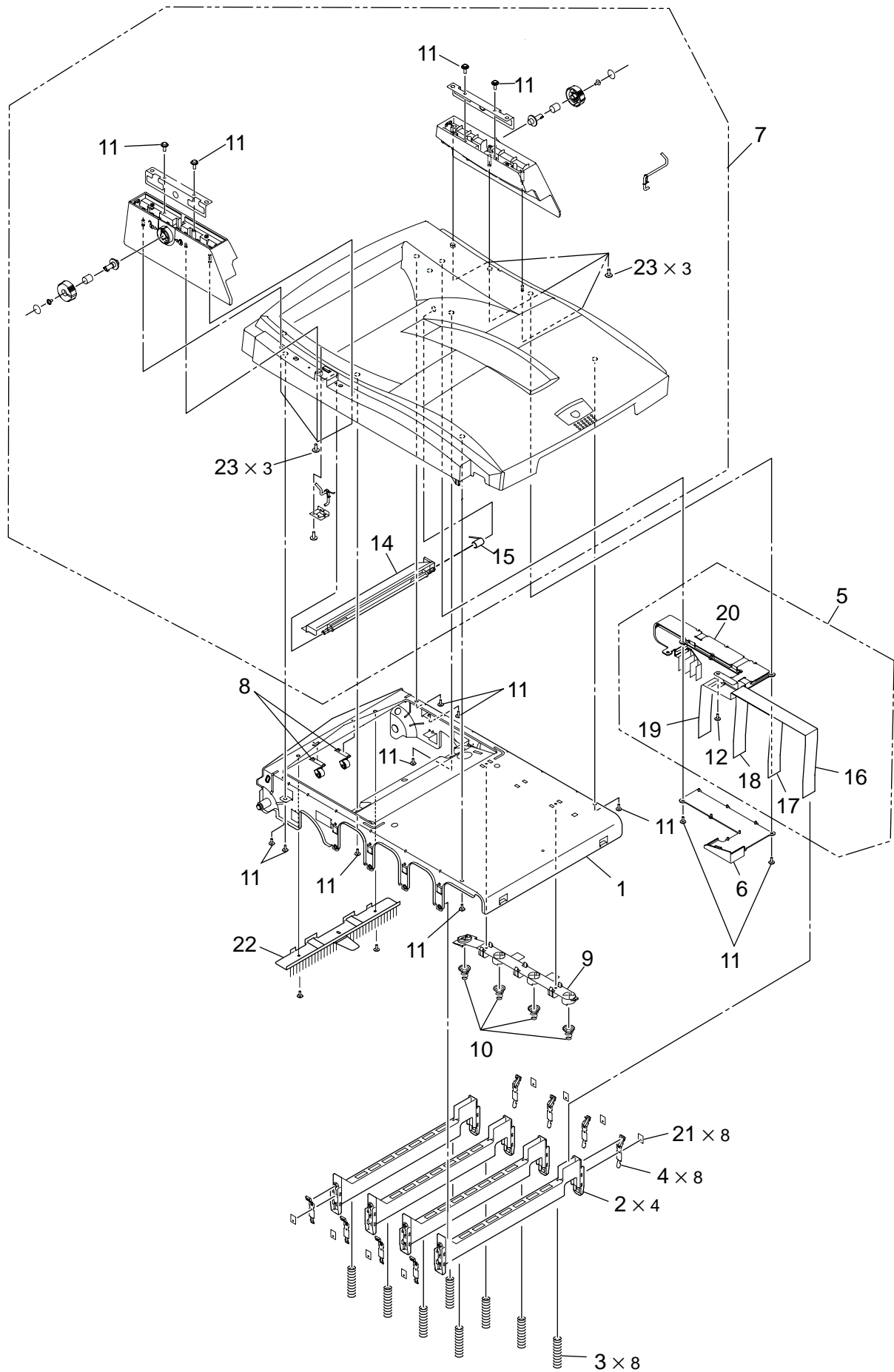
Parts Layout (C5510nMFP)



No.	Parts No.	Name	Remarks
1	42074504	Top Cover Assy	
2	42624601	Control Panel Assy	C5510
	42622601	Control Panel Assy	ES1624
12	42613401	Board-PRM	
13	42626501	Sensor-Assy-Color-Regist	
14	42066901	Cover-Driver	
15	42622902	Cover-Assy-SideR	C5540,C5510
16	42622201	Plate-Assy-Shield (GDI)	C5510
	42622301	Plate-Assy-Shield (PCL)	ES1624
17	42613301	Print Engine Controller PWB PRN	Board PRN
18	42141601	CONN Cord	PU-CU
19	42493403	Controler Board CU (PCL)	ES1624MFP (Board SPA-3)
	42810502	Controler Board CU (GDI)	C5510 (Board SPY-2)
20	42078702	Film-Insulation	
21	42053502	Plate-Assy-Side-R	
23	42621501	Eject-Assy	
24	42625501	Fuser-Unit	ODA(120V)
	42625502	Fuser-Unit	ODA(230V)
25	42049503	Base-Assy	C5510
	42049506	Base-Assy	ES1624MFP
26	42060003	Plate-Assy-Side-L	
27	42501201	Power Unit High Voltage	
28		Cover-Side-L	
29	42087001	Cassette Assy	
30		Cover Assy-Hopping	C5510
		Cover Assy-Hopping	ES1624MFP
31	42069003	Feeder-Unit	
32		Plate-Driver	
33	42062401	Gear-Idle-Belt	
34	42088801	Friction Pad Assy	
35	42089001	Friction Pad Assy-Springs	
36	42078301	Cover Assy Face Up	
37	42077601	Cover Sub Assy Rear	C5510
	42077602	Cover Sub Assy Rear	ES1624MFP
38	42143103	LED HEAD Unit 51MXE3	600DPI
39	42396101	Motor FAN (80)	FUSER
42	42501101	Power Unit (LOW Voltage)	100-120V
	42825701	Power Unit (LOW Voltage)	230V
43		TW VF/12-01x06-460	
44		Spring Belt Fuse	
46		Shaft Lift Up	
47		Plate Heat	
50		Spring Torsion (L)	
51		Spring Torsion (R)	
52	42063701	Gear Assy Planet	
53	42064101	Gear Idle Heat (Z14-102)	
54	42066501	Gear Assy Planet L	
56	42076544	Plate-Logo	Global
57	42010624	ROM DIMM	ES1624MFP
60	42677001	Rubber-Post	
61	42596306	Control Panel Sheet	C5510
	42068412	Control Panel Sheet	ES1624MFP
62		Label-Color-ID_KYM(MFP)	

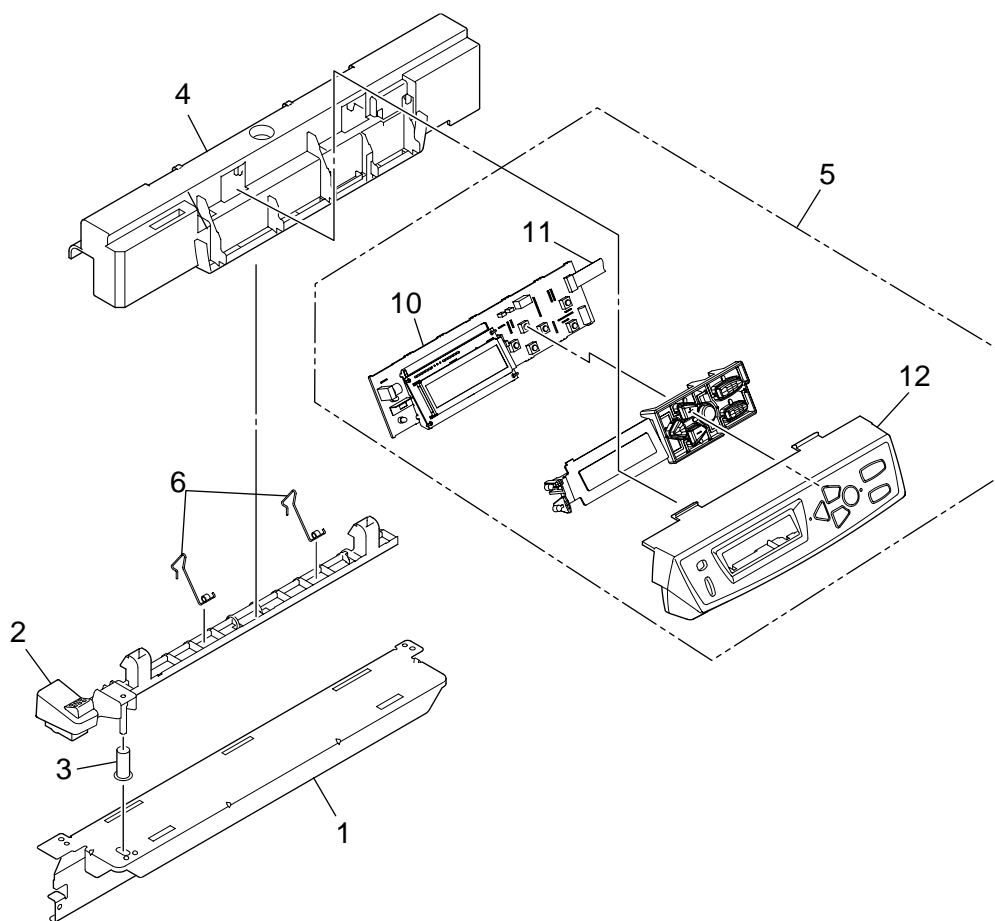
No.	Parts No.	Name	Remarks
63		CONN-Cord-flexy DP	PU-PRM
64		Label-Color-ID_C(MFP)	
65		Board-Memory 64MB	C5510
		Board-Memory 64MB	ES1624MFP
66	43015901	Stay-Assy-L	
67	43016001	Stay-Assy-R	
68	42998601	Cover-Stay(L)	
69	42998701	Cover-Stay(R)	
70	42998201	Guide-Damper-L	
71	43091901	Plate-Lower-L	
72	43016101	Lower Assy.-R	
73	42998501	Spacer-Lower-R	
74	43004401	Shaft-Stay	
75	43025601	Back-Stopper-Assy(1st)	
76	43029501	Cord-Flush(120V)	
	43029502	Cord-Flush(230V)	
77	41680202	Clamp-Cable	
78	43091201	Support-Cover-Top	
79	43092301	Spring-Support	
80	43094801	Post-Guide	
81	43004901	Spring-Cover-Top	
82	43094401	Film-Cover(L)	
83	43094501	Film-Cover(R)	
84	43090901	Guide-Spring	
85	43087904	Plate-Name	C5510
	43087905	Plate-Name	ES1624MFP
86	43114201	Spring-Damper-R	
87	43114301	Spring-Damper-L	
88		Cover-Stand-Base	
89		Plate-Inlet	ES1624MFP
90		Stay-Assy(R) for Maintenance	
91		Stay-Assy(L) for Maintenance	

Top Cover Assy(C5510nMFP/ES1624nMFP)



No.	Parts No.	Name	Remarks
1		Plate-Inner (Caulking)	
2	42075001	Holder-Head	
3	42075101	Spring-Head	
4		Plate-FG-Head	
5	42075501	Cable-Assy.-Head	
6	42076201	Cover-Cable	
7		Cover-Ass.-Top (Sub)	
8	42076601	Roller Assy.-Idle (FD)	
9		Holder-SP (Inner)	
10	42392501	Spring-Compression (ID)	
11		Tapping Screw B2	
12		Cup Screw A	
14		Cover Top Sub	
15	42293101	Spring Torsion (Sub)	
16	42075601	LED Harness K	
17	42075701	LED Harness Y	
18	42075801	LED Harness M	
19	42075901	LED Harness C	
20		Film FG	
21		Plate- Stopper	
22		Plate-Eject Assy	
23		Screw-P_Taight	

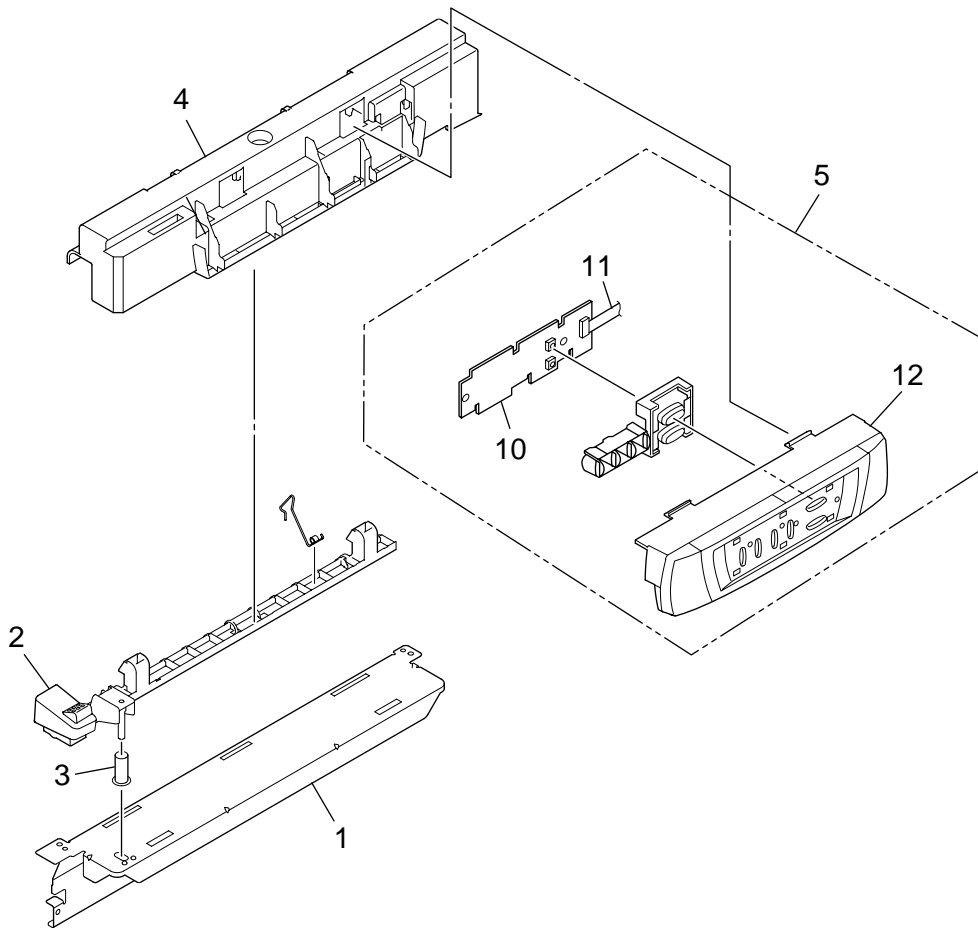
Control Panel Assy (C5400n/C5400/C5200n/C5150n/C3200n/ES1624n/ES1624nMFP)



Control Panel Assy

No.	Parts No.	Name	Remarks
1		Plate-Front	
2		Lever-Lock (Top)	
3		Spring-Compression (Lock)	
4	42067902	Frame-OP panel	
5	42622701	Cover-Assy. -OP	
6		Spring-Torsion (FG)	
10	42613801	Board PRP	
11		TW VF/SMCD9-180	
12	42068103	Cover-OP-Panel	

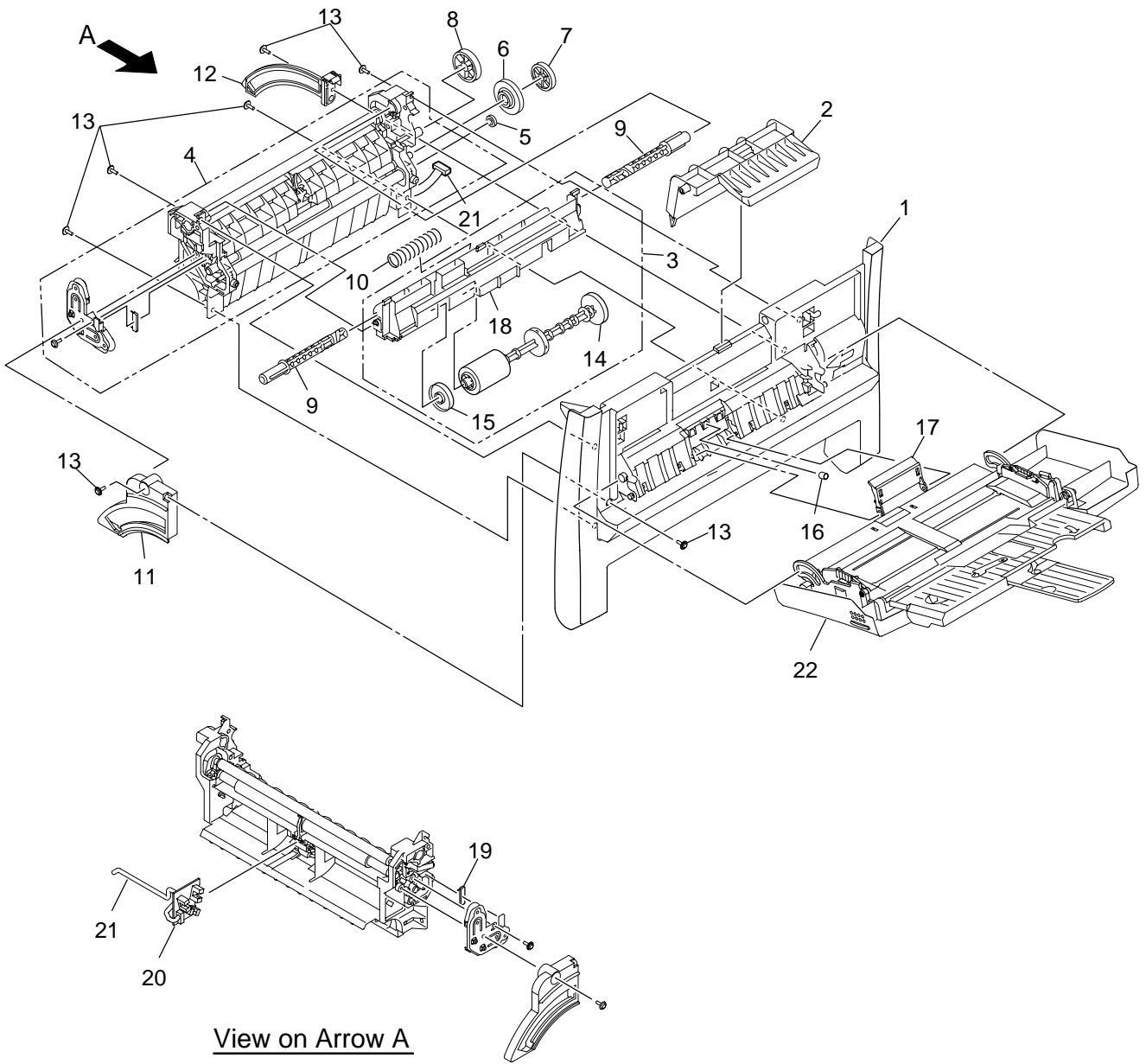
Control Panel Assy (C5510nMFP)



Control Panel Assy (C5510nMFP)

No.	Parts No.	Name	Remarks
1		Plate-Front	
2		Lever-Lock (Top)	
3		Spring-Compression (Lock)	
4		Frame-OP panel	
5		Cover-Assy. -OP	
6	42607101	Spring-Torsion (FG)	
7			
8			
9			
10	42613901	Board PRO	CONTROL PANEL
11		TW VF/SMCD9-180	FFC Control Panel
12	42596002	Cover-OP-Panel	

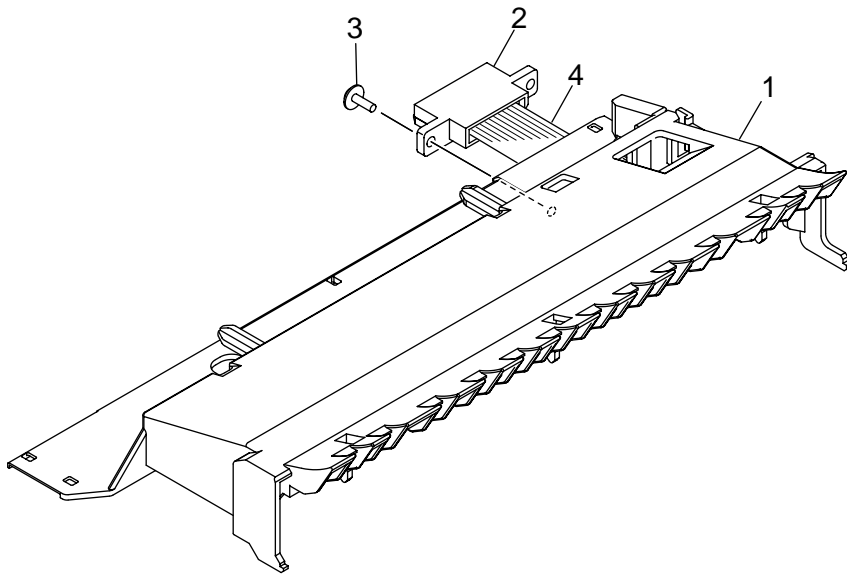
Feeder Unit



Feeder Unit

No.	Parts No.	Name	Remarks
1	42069201	Cover Assy-Front	
2		Lever-Release-F	
3		Guide-Assy-Top	
4	42070502	Feeder-Assy-Resist	
5	42072201	Gear-Puressure	
6		Gear-Regist-L (24-54)	
7		Gear-Z42	
8		Gear-Idle-MPT (26-50)	
9		Post-Slide	
10		Spring-Release-F	
11		Stay-Front-L	
12		Stay-Front-R	
13		Tapping Screw B2	
14	42070301	Shaft Assy MPT	
15		Roller Guide	
16		Spring Separator	
17	42069701	Frame Separator	
18		Guide Sheet Top	
19		MRH100MK	
20	42135802	Board RSF	Front Sensor
21	42610401	CONN Cord JST5P-JST5P	RSF-PU
22	42072903	MPT Cover Assy	

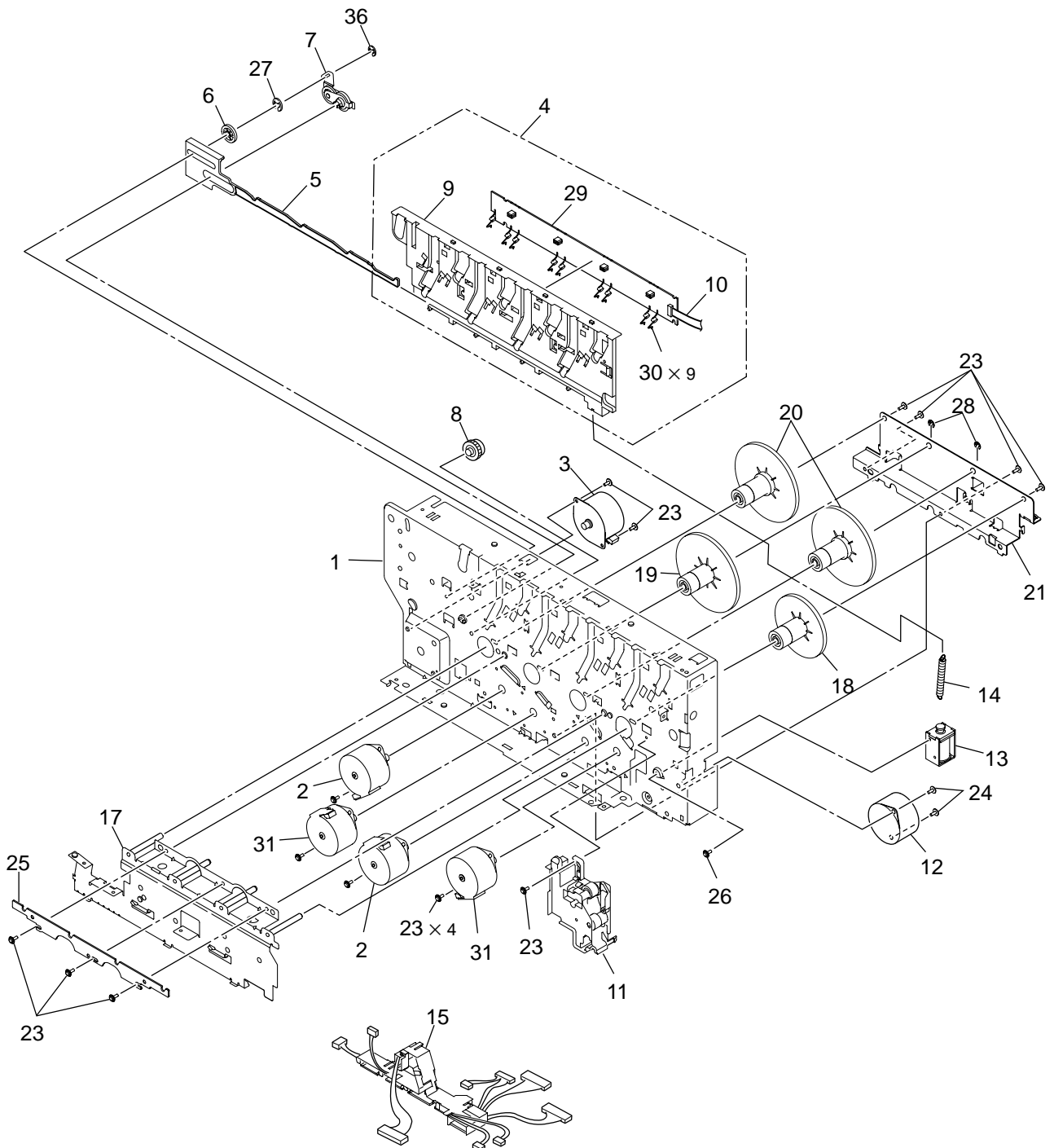
Cover Assy-Hopping



Cover Assy Hopping

No.	Parts No.	Name	Remarks
1		Cover Hopping	
2		Connector (9715B-11Z02)	Not used C3200n,C5510
3		TAPPING SCREW B2	Not used C3200n,C5510
4	42610001	CONN Cord	Duplexor Not used C3200n,C5510nMFP

Plate Assy-Side R



No.	Parts No.	Name	Remarks
1		Plate-Side-R (Caulking)	
2	42629301	Motor-Pulse-ID	For Y/C-ID-Motor
3	42606201	Motor-Pulse-Fuser	
4	42054902	Guide Assy-Side-R	
5		Link-Liftup-R	
6		Gear-Planet	
7	42055901	Gear Assy-Planet-R	
8		Gear-Idle-Liftup	
9	42055101	Cover-Plate-R	
10		TW-VF-11-01X06-80	PRT-PU
11	42057301	Gear Assy-HP	
12	42058201	Motor-Resist	
13	42058303	Solenoid	
14		Spring-Solenoid	
15	42293402	Guide Assy-Cable-F	
17		Bracket-Inner (Caulking)	
18	42059001	Gear-Idle-Drum-K	
19	42059101	Gear-Idle-Drum-M	
20	42059201	Gear-Idle-Drum-YC	
21		Bracket-Outer	
22			
23		Cup Screw A	
24		Tapping Screw B2	
25		Plate-Lockout-ID	
26		Screw	
27		Ring	
28		Ring	
29	42613601	Board-PRT	
30	42055201	Spring-Contact-TL	
31	42629302	Motor-Pulse-ID	For K/M-ID-Motor
32			
33			
34			
35			
36		Ring	

Plate Assy-Side L

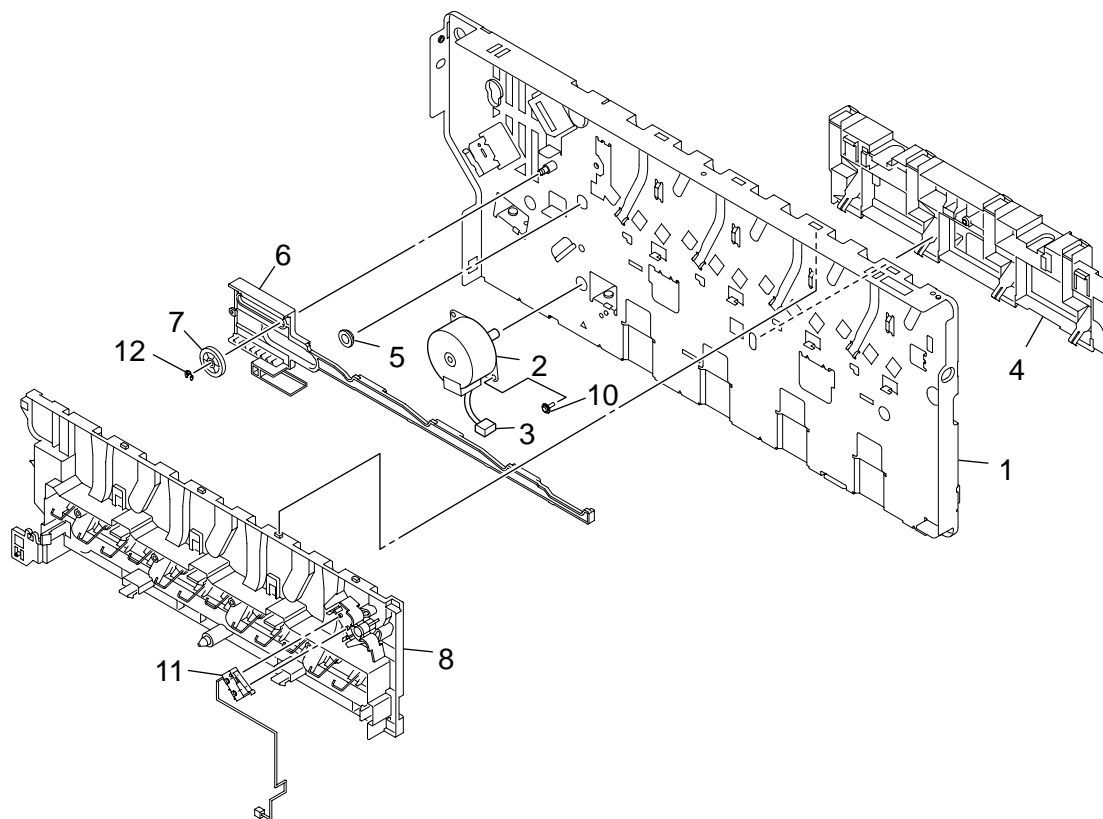


Plate Assy Side-L

No.	Parts No.	Name	Remarks
1		Plate-Side-L (Caulking)	
2	42054601	Motor-Pulse-ID-Belt	
3	42610801	CONN Cord-JST4P-JST4P	
4	42060402	Contact-Assy	
5		Bush	
6		Link-Liftup-L	
7		Gear-Planet	
8		Guide Assy-Side-L	
10		Cup Screw A	
11	42611101	Micro switch-Assy	
12		Ring	

Plate Assy-Shield (C5400n/C5400/ES1624n/ES1624nMFP)

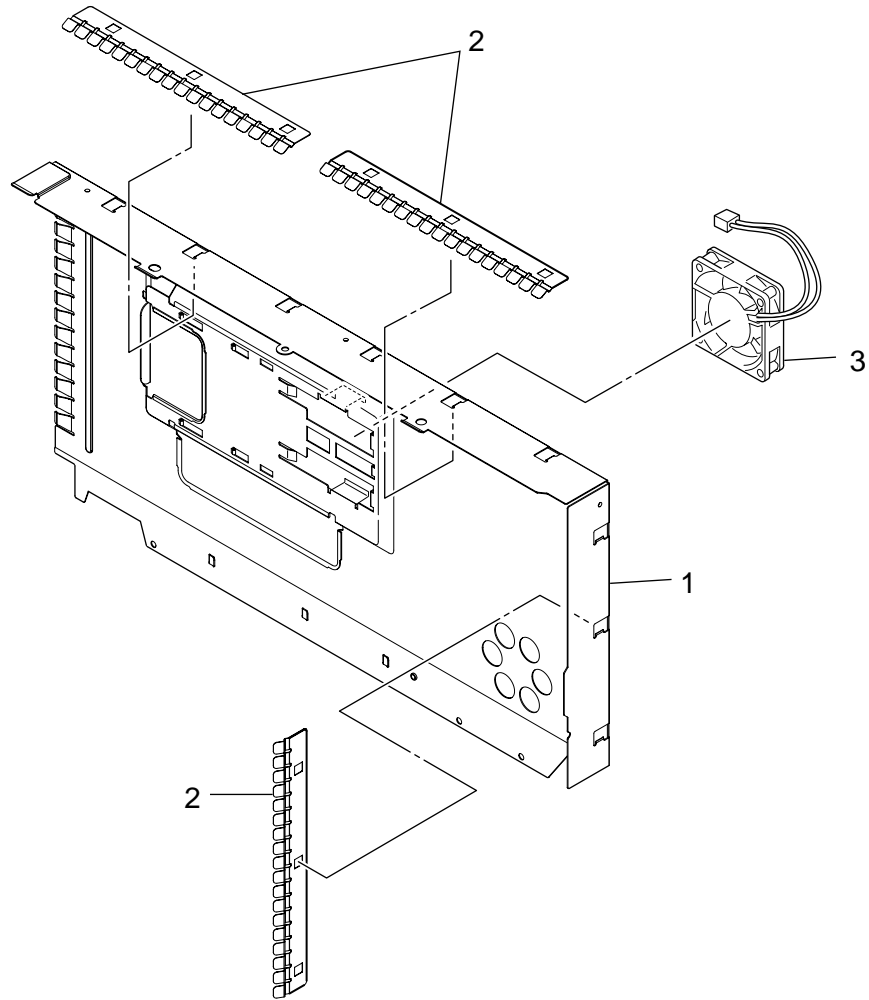


Plate Assy-Shield (C5200n//C5150n/C3200n/C5510nMFP)

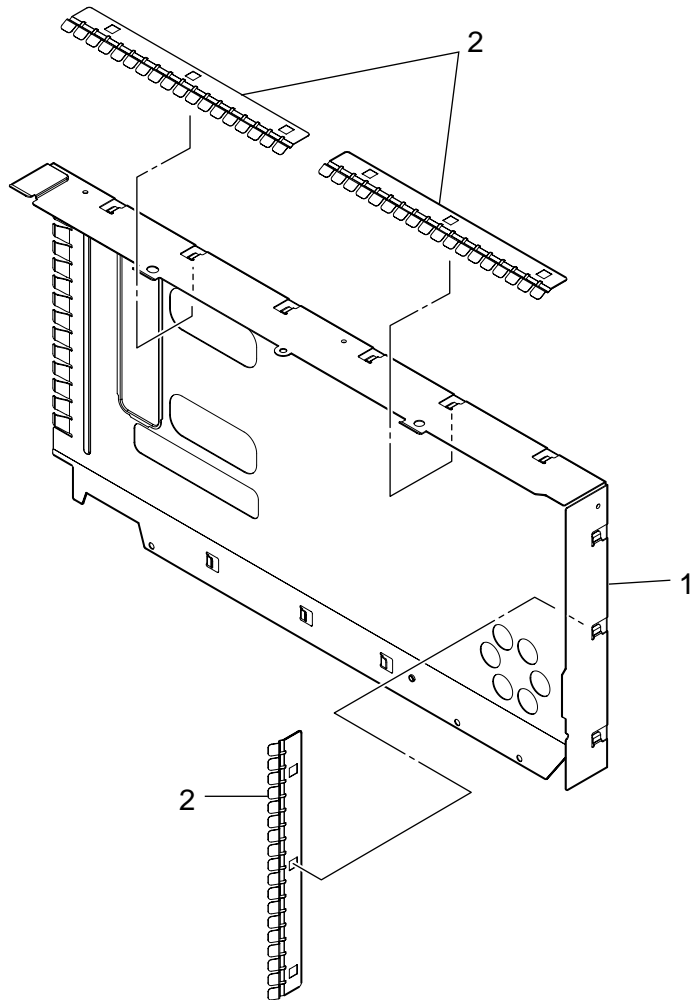
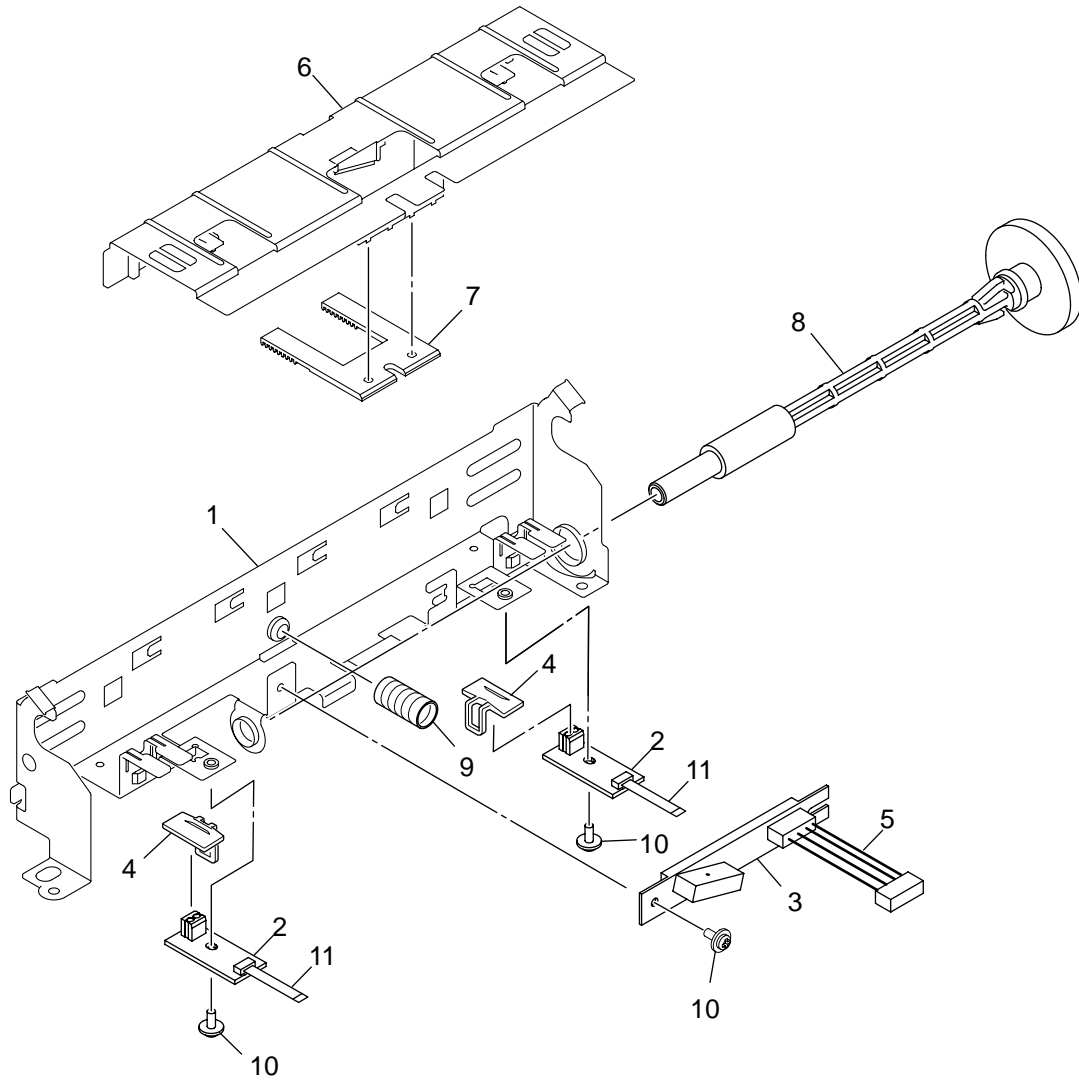


Plate Assy Shield

No.	Parts No.	Name	Remarks
1	42079201	Plate-Shield (PCL)	C5400n, ES1624MFP
	42135101	Plate-Shield (GDI)	C5200n,C5150n,C5510MFP,C3200n
2		Plate_Contact-Shield	
3	41410201	Electrical Cooling FAN (60)	CU Board

Sensor Assy-Regist



Sensor Assy Color Regist

No.	Parts No.	Name	Remarks
1		Plate-Sensor-C Resist	
2	42613701	Board-PRC	Color Regist
3		GP2TCS SENSOR-Density	Density
4		Plate_Guard-sensor	
5	42610601	CONN Cord MOLEX5-MOLEX5	
6	42065302	Cover-C.Resist (Adhesive)	
7	42065701	Gear-Cover-Sensor (Rack)	
8	42065801	Shaft-Cover-Sensor	
9	42065901	Spring-Cover-Sensor	
10		Cup Screw A	
11		TW-VF/SMCD4-50	

Plate Assy-Base

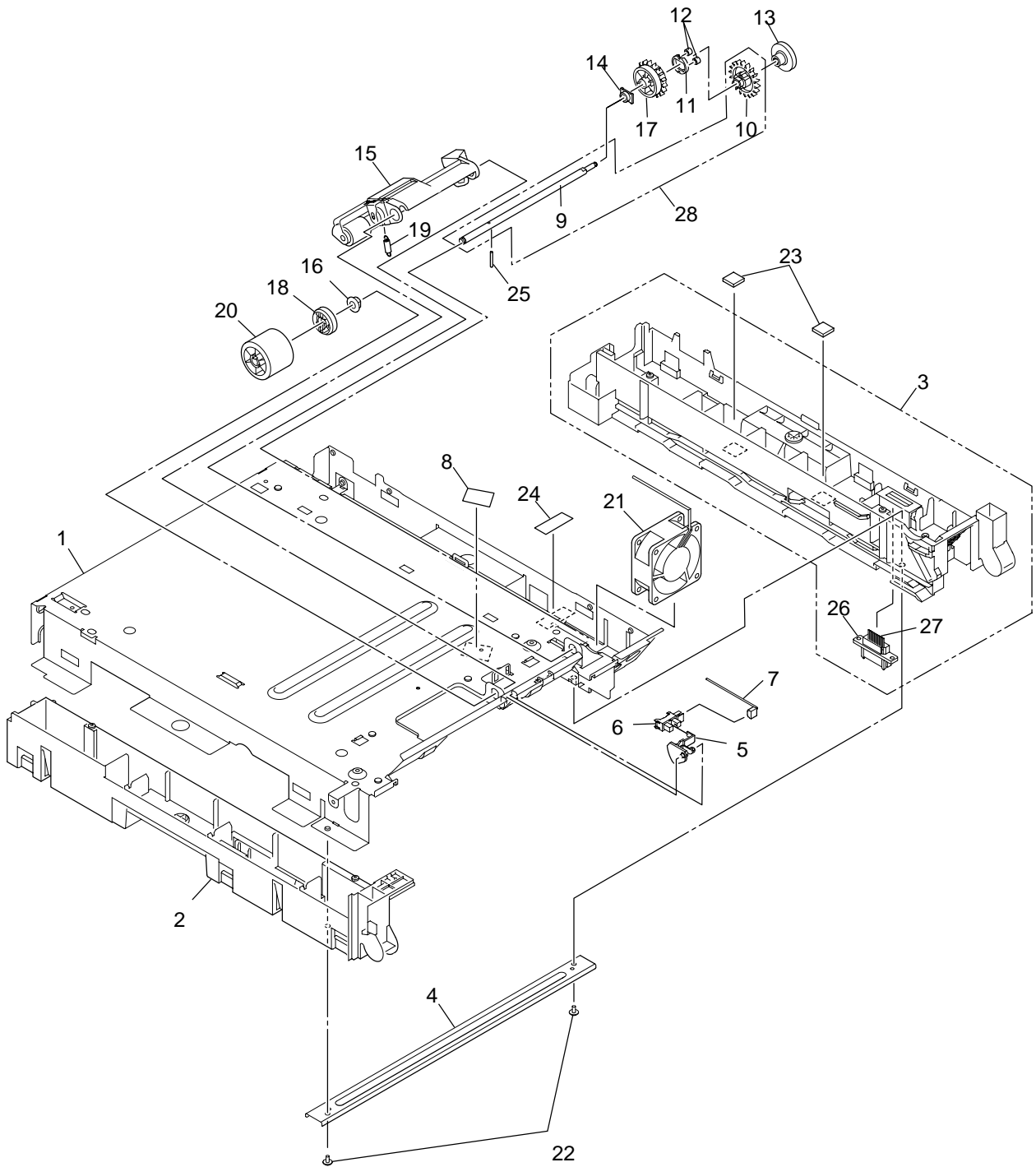
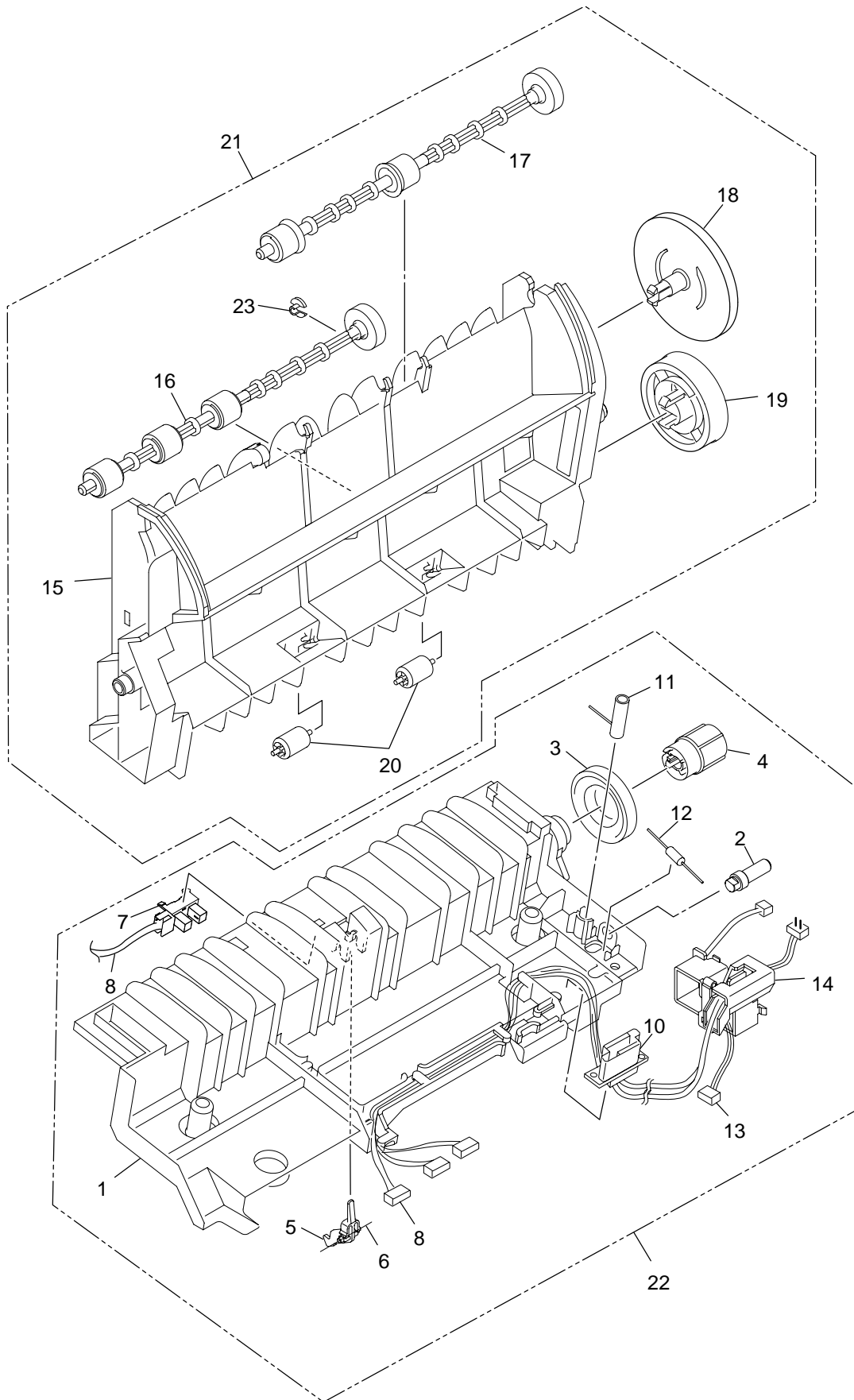


Plate Assy Base

No.	Parts No.	Name	Remarks
1		Plate-Base	
2	42049701	Guide Assy.-Cassette-L	
3	42050103	Guide Assy.-Cassette-R	C5400n/C5200n/C5150n/C3200n
	42050102	Guide Assy.-Cassette-R	C5510
		Guide Assy.-Cassette-R(MFP)	ES1624
4		Plate-Beam	
5		Lever-End	
6	40135301	Photo-Interrupter	SNS-END
7	42610901	CONN Cord-AMP3P-AMP3P	PU-P-END
8		Celophan tape W18	L=30mm
9	42050701	Shaft-Hopping	
10	42050801	Stopper-HP	
11	42050901	Holder-Planet-HP	
12	42051001	Gear-Planet (Z12)-HP	
13	42051101	Gear-Z24-50-HP	
14	42051201	Stopper-Z45-48-HP	
15	42051401	Bracket-Assy.-Sub	
16		Bush	
17		BEARING A	
18	42052301	Gear-Hopping (Z38)-HP	
19		Spring-Sub	
20	42052601	Roller Assy.-Hopping	
21	42368501	Motor-Fan (60)PowL	
22		Cup Screw A	
23		Plate-Patch	
24		Tape AL Film	L=35mm
25		Pin	
26		Connector (9715B-10Z02)	2nd Tray
27	42609901	CONN Cord	Not used on C3200n

Eject Assy



Guide Assy Eject L

No.	Parts No.	Name	Remarks
1	42555401	Guide-Eject-Lower	
2		Post-Gear-Idle-Heat	
3		Gear-Idle-Exit (Z33)	
4		Post-G.E.L.-Z33	
5	42063301	Lever-Eject-Sensor	
6	40386501	Spring-SNS (F/R)	
7	40135301	Photo-Interrupter	
8	42610902	CONN Cord-AMP3-AM3	EXIT
10	42610301	CONN Cord-HRS-12	Fuse-LowVol
11		Spring-FG	
12	42796901	Res-High-Voltage	
13	42610701	CONN Cord-AMP4-AMP4	PU-Heater Motor
14		Guide-Cable-R	
15		Guide-Eject-Upper	
16	42308001	Shaft Assy-Eject (FU)	
17	42308101	Shaft Assy-Eject (FD)	
18		Gear-Idle-Exit (Z58)	
19	42064702	Gear-Idle-Exit (Z41)	
20		Roller-Sub-G.E.U.	
21	42064301	Guide-Assy-Eject-U	
22	42621601	Guide-Assy-Eject-L	
23		Stopper-Shaft	