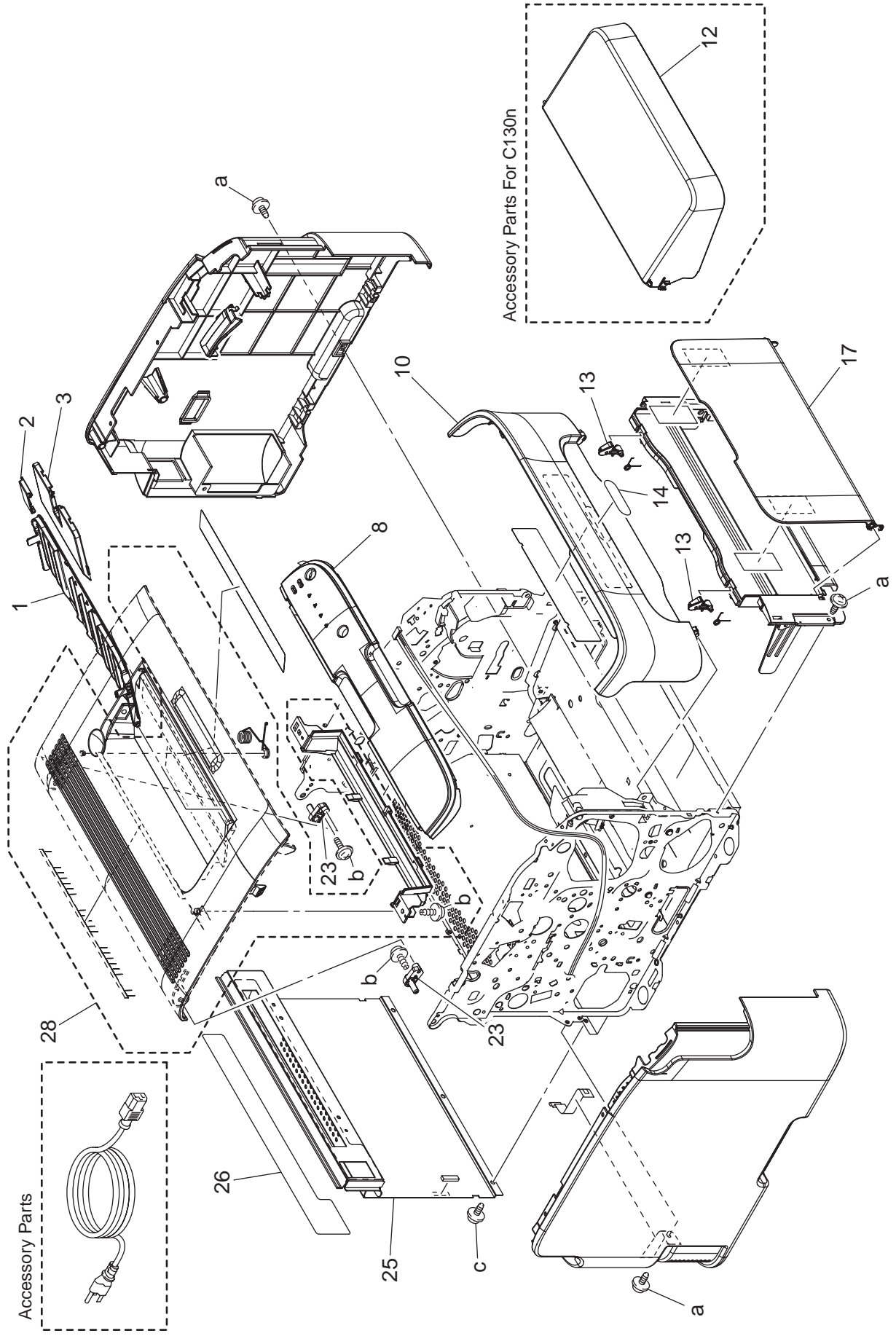


C110/C130 Spare Parts Illustration Manual

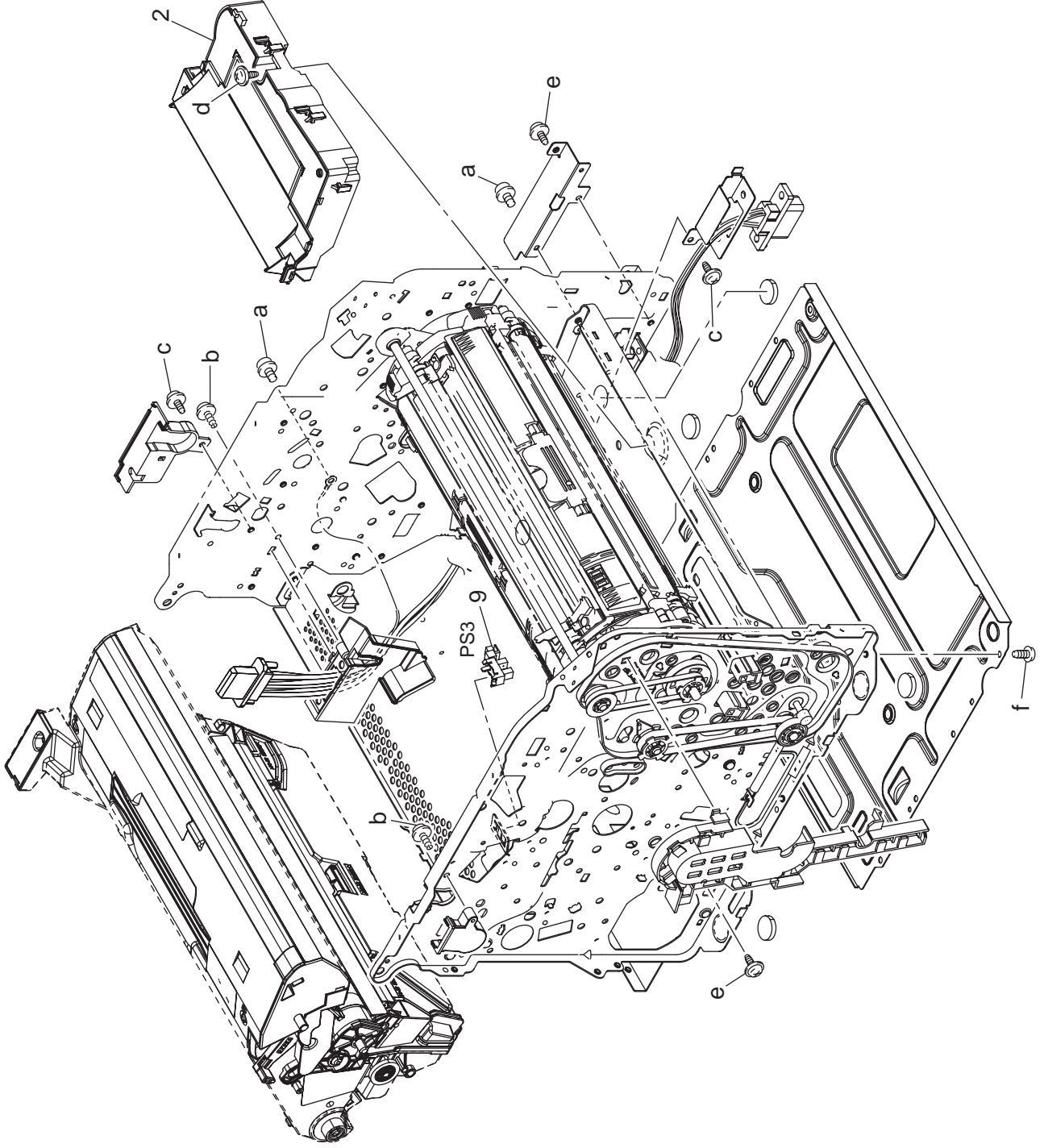
020910A

EXTERNAL PARTS



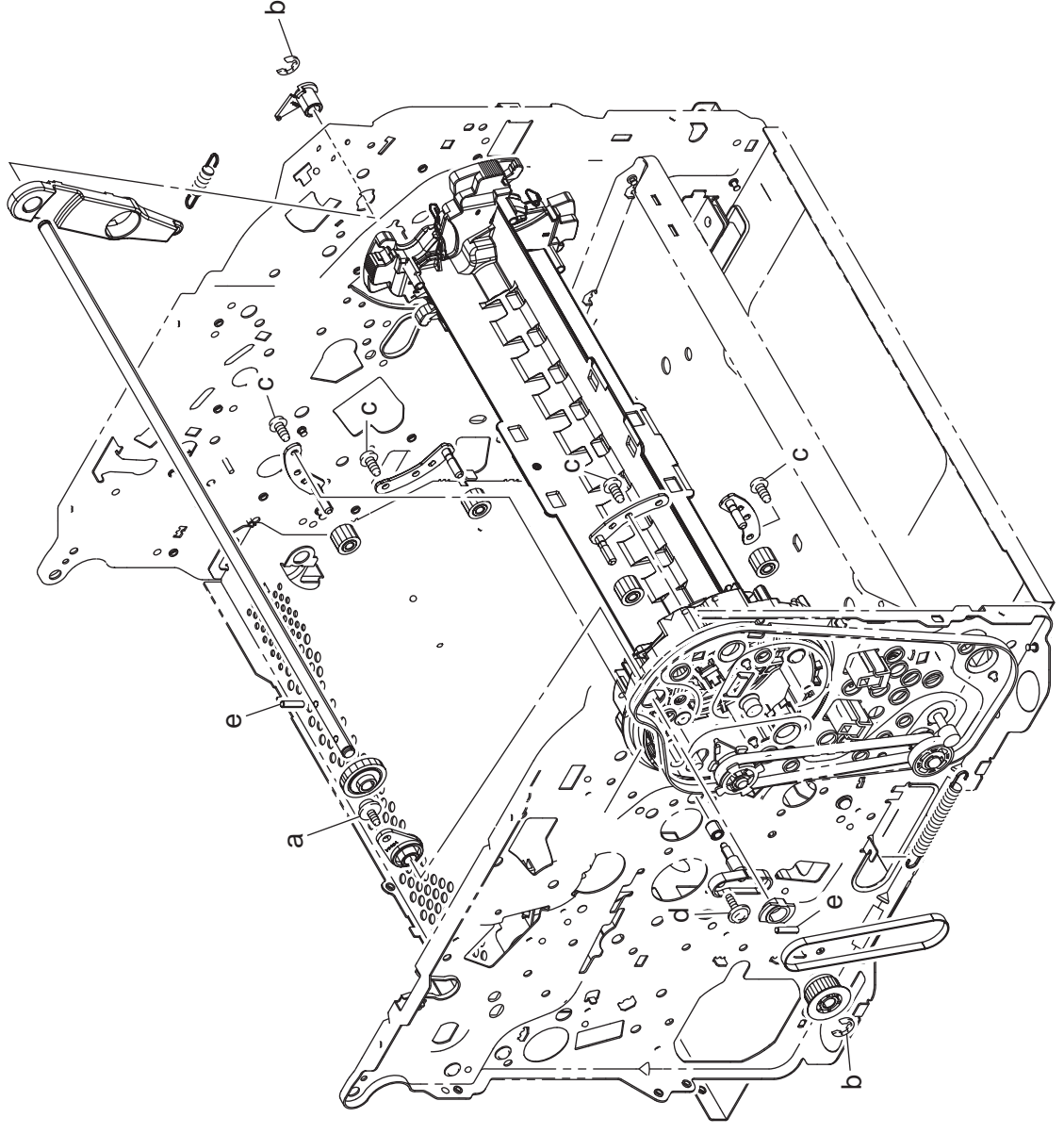
No.	Part No.	Part Name	Q'ty /Unit	commended Q'ty/Y			Remarks
				per 500	per 1000	per 2000	
1		Tray-Exit_Generic	1	12	24	48	
2	44284902	Tray-Sub_Generic	1	12	24	48	
3		Tray-Exit Extension_Generic	1	12	24	48	
8	44284904	Operation Panel(SFP-RL Generic)	1	2	4	8	
8	44284905	Operation Panel(SFP-P Generic)	1	2	4	8	
10	44284906	Cover	1	12	24	48	
12	44284907	Cover Dust Cover	1	12	24	48	
13	44284908	Lever	2	3	6	12	
14		Plate	1	2	4	8	
17	44284910	Tray	1	12	24	48	
23		Holder	2	3	6	12	
25		Cover Rear	1	2	4	8	
26		Seal	1	2	4	8	
28	44284914	Upper Cover Assy (SFP/Generic)	1	2	4	8	

MAIN FRAME SECTION

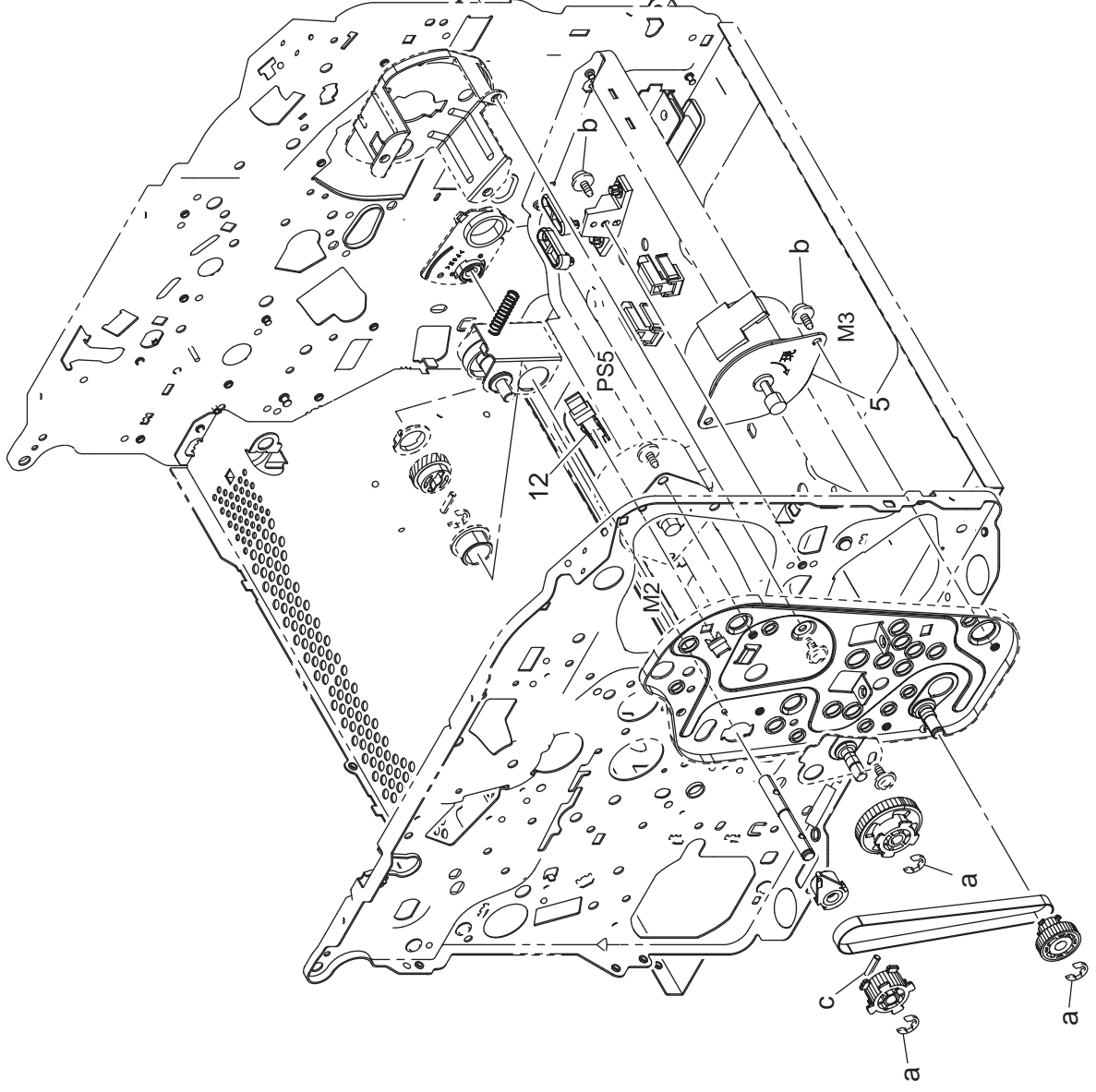


No.	Part No.	Part Name	Q'ty /Unit	commended Q'ty/Y			Remarks
				per 500	per 1000	per 2000	
2	44284915	Print Head Assy	1	12	24	48	
9	44286606	PHOTO INTERRUPTER	1	12	24	48	

RACK/RACK DRIVE SECTION_1

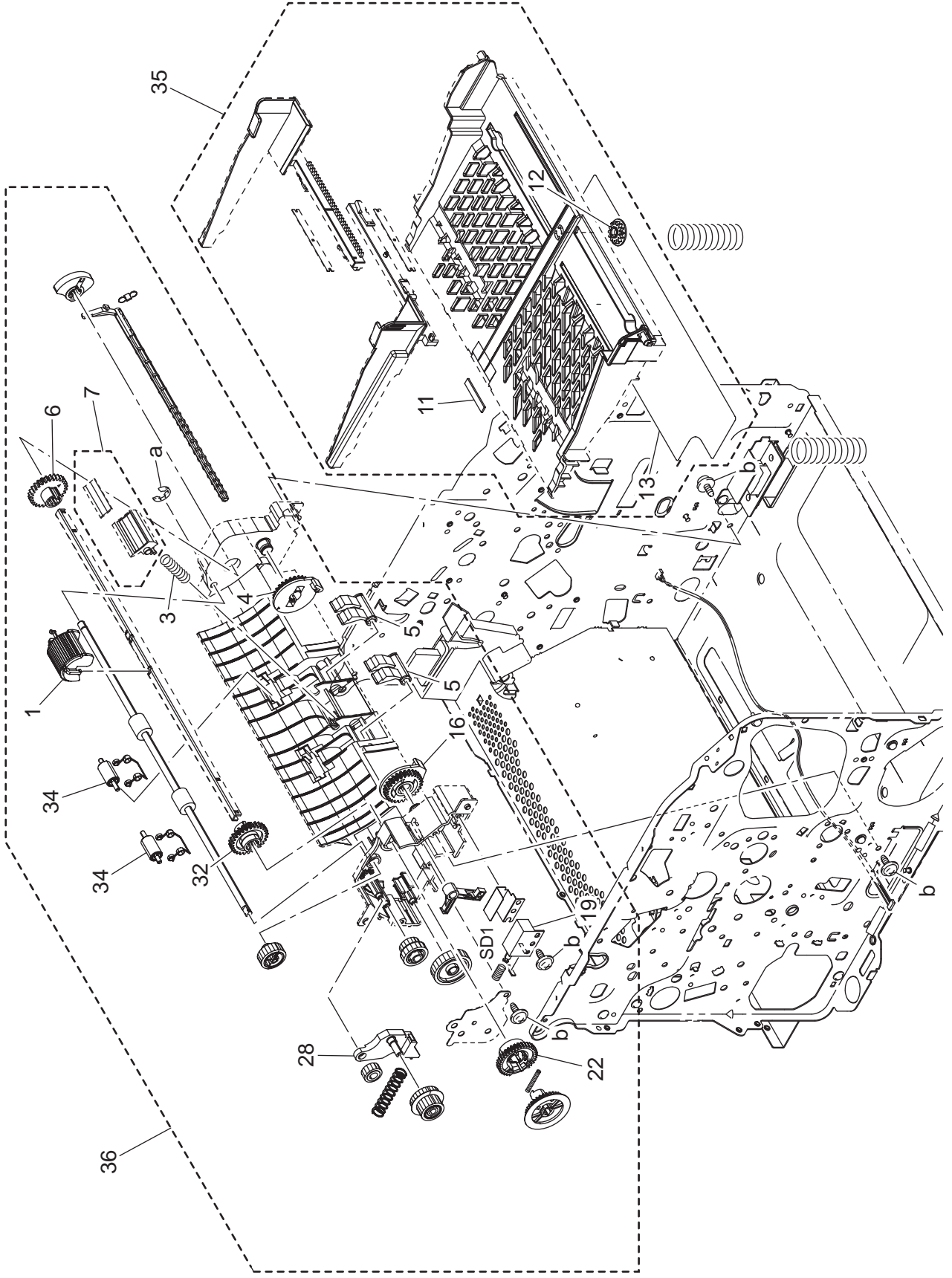


RACK/RACK DRIVE SECTION_2



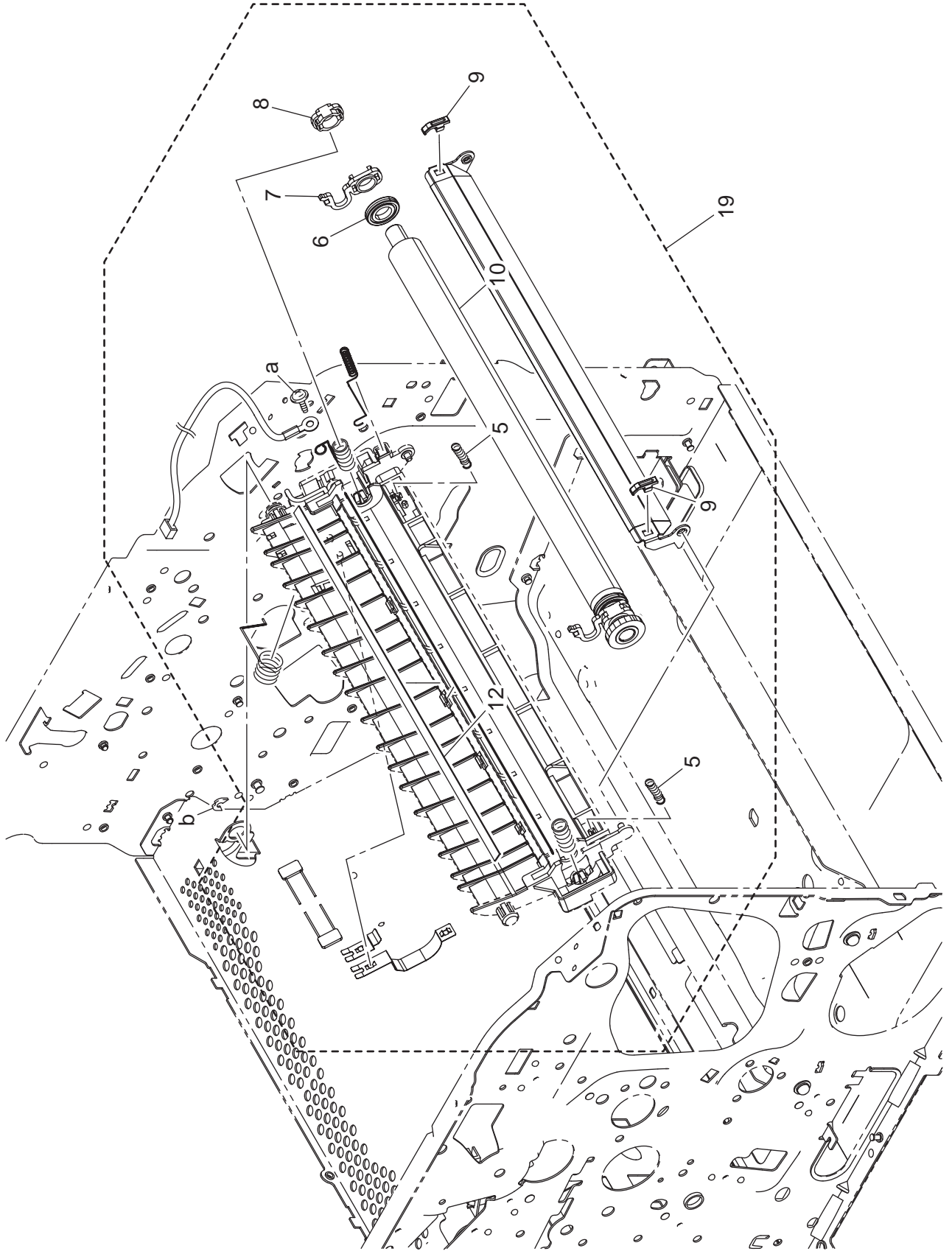
No.	Part No.	Part Name	Q'ty /Unit	commended Q'ty/Y			Remarks
				per 500	per 1000	per 2000	
5	44284916	Developing Motor	1	2	4	8	
12	44286606	PHOTO INTERRUPTER	1	4	8	16	

PAPER TAKE-UP SECTION



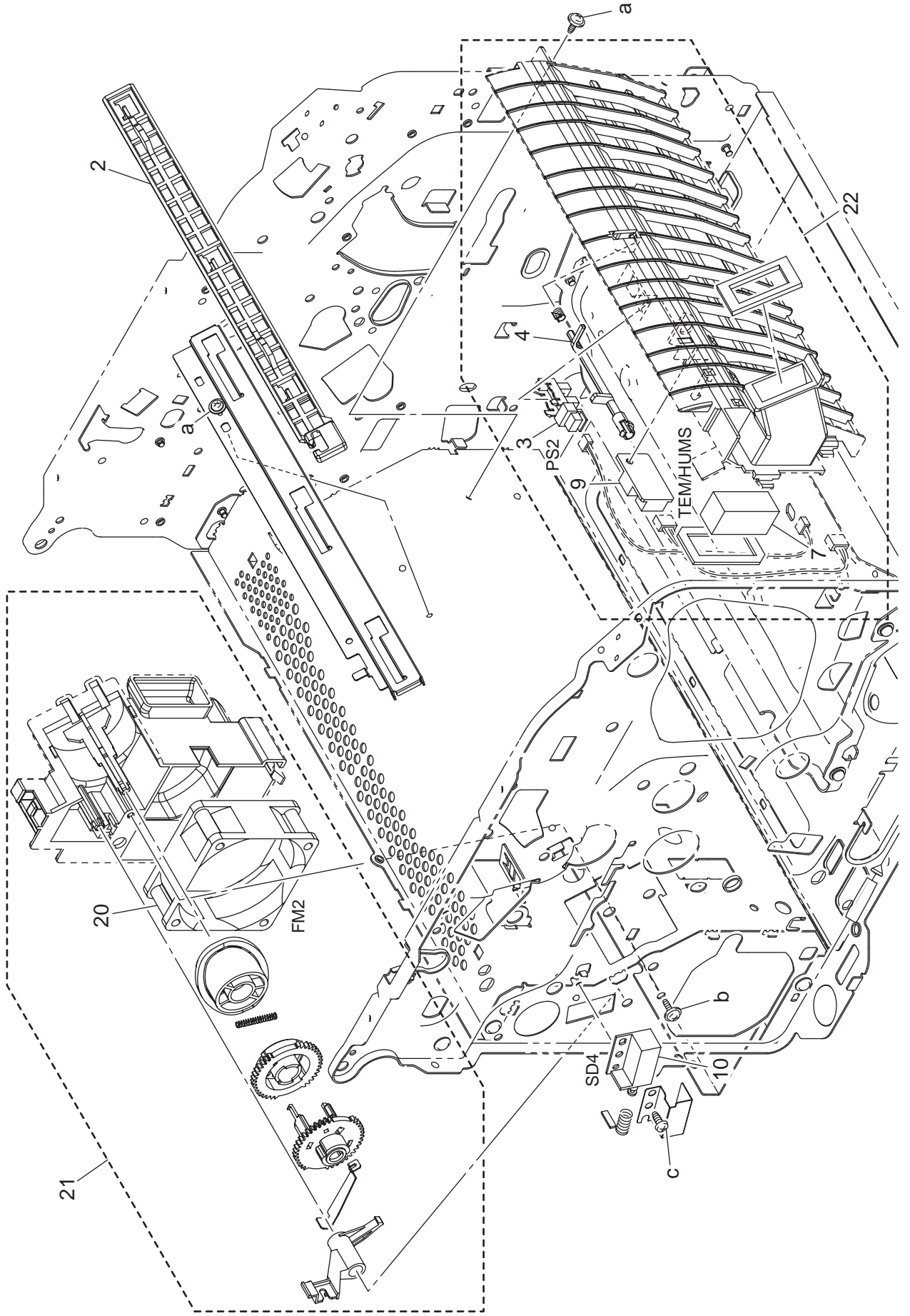
No.	Part No.	Part Name	Q'ty /Unit	commended Q'ty/Y			Remarks
				per 500	per 1000	per 2000	
1	44284917	ROLLER	1	12	24	48	
3		PRESSURE SPRING	1	2	4	8	
4		Cam	1	2	4	8	
5		STOPPER	2	3	6	12	
6		GEAR 27T	1	2	4	8	
7	44284922	FRICITION SHEET ASSY	1	12	24	48	
11		FRICITION SHEET	1	2	4	8	
12		GEAR 14T	1	2	4	8	
13		Seal	1	2	4	8	
16		Cam	1	2	4	8	
19		Paperfeed Solenoid	1	2	4	8	
22		Gear 36T	1	2	4	8	
28		Lever	1	2	4	8	
32		GEAR 27T	1	2	4	8	
34	44284931	Conveyance Roll	2	3	6	12	
35	44284932	Lifting Plate Assy(Generic)	1	2	4	8	
36	44284933	Paper Feed Assy	1	12	24	48	

TRANSFER SECTION_1



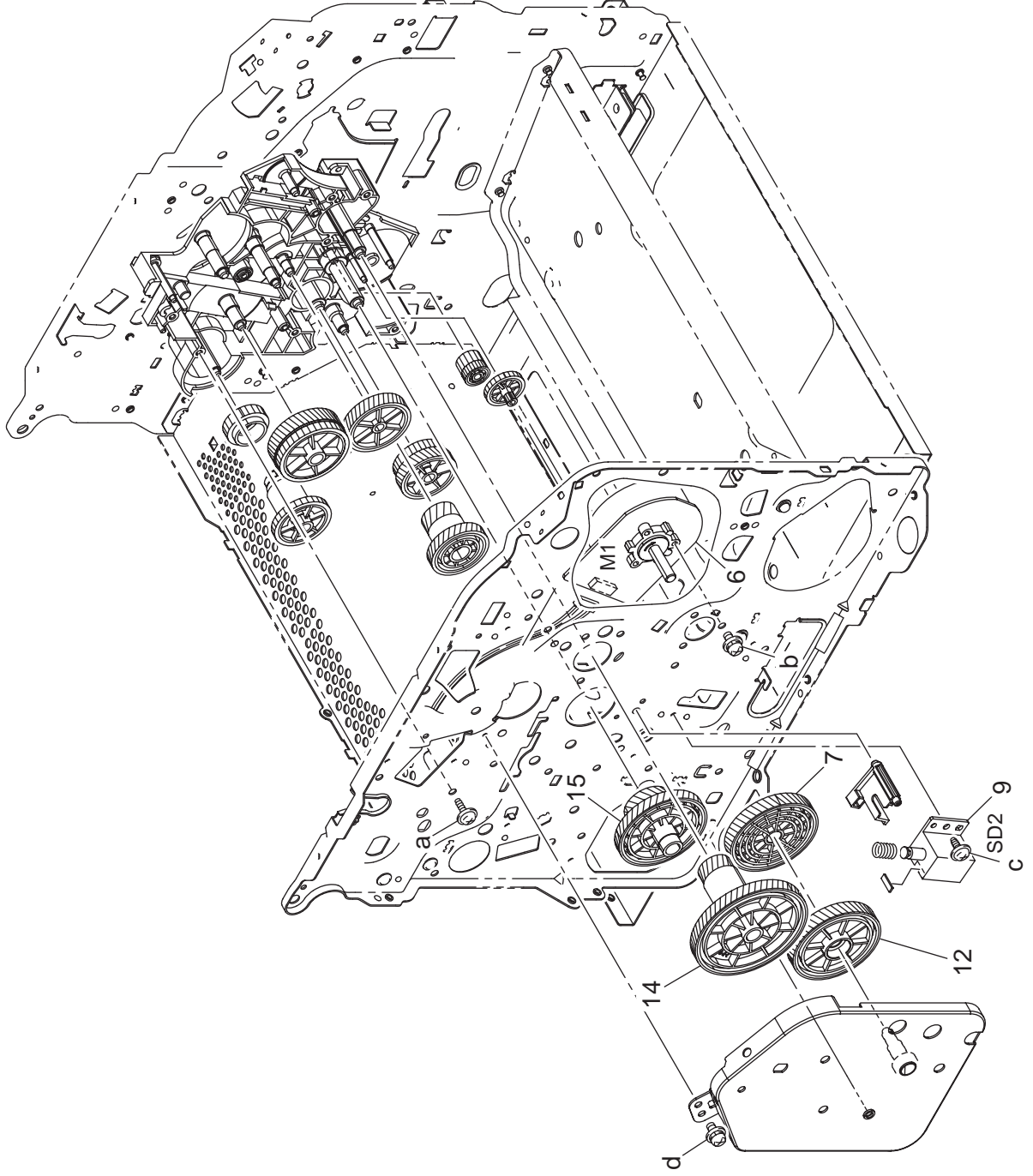
No.	Part No.	Part Name	Q'ty /Unit	commended Q'ty/Y			Remarks
				per 500	per 1000	per 2000	
5		PRESSURE SPRING	2	3	6	12	
6		ROLL	1	2	4	8	
7		Holder	1	2	4	8	
8		Bushing	1	2	4	8	
9		SPACER	2	3	6	12	
10	44284939	Transfer Roller	1	12	24	48	
12		NEUTRALIZING MEMBER	1	2	4	8	
19	44284941	2nd Transfer Assy	1	2	4	8	

TRANSFER SECTION_2



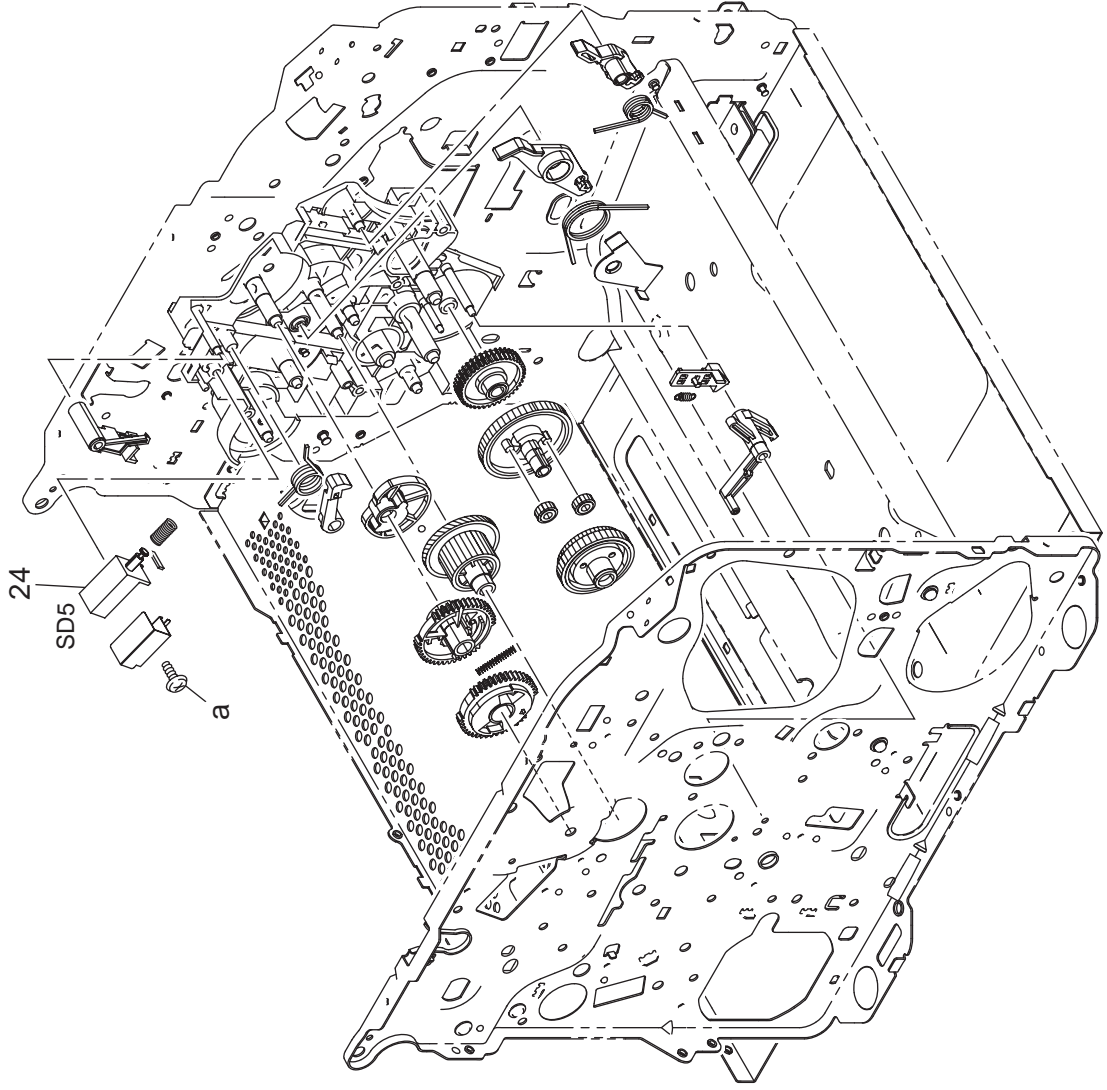
No.	Part No.	Part Name	Q'ty /Unit	commended Q'ty/Y			Remarks
				per 500	per 1000	per 2000	
2		Slide Plate	1	2	4	8	
3	44286606	PHOTO INTERRUPTER	1	12	24	48	
4		Actuator	1	2	4	8	
7		Filter	1	2	4	8	
9		Humidity sensor	1	2	4	8	
10		Paperfeed Solenoid	1	2	4	8	
20	44284946	FAN MOTOR	1	4	8	16	
21	44284947	Guide Assy	1	2	4	8	
22		Guide Assy	1	2	4	8	

DRIVE SECTION_1



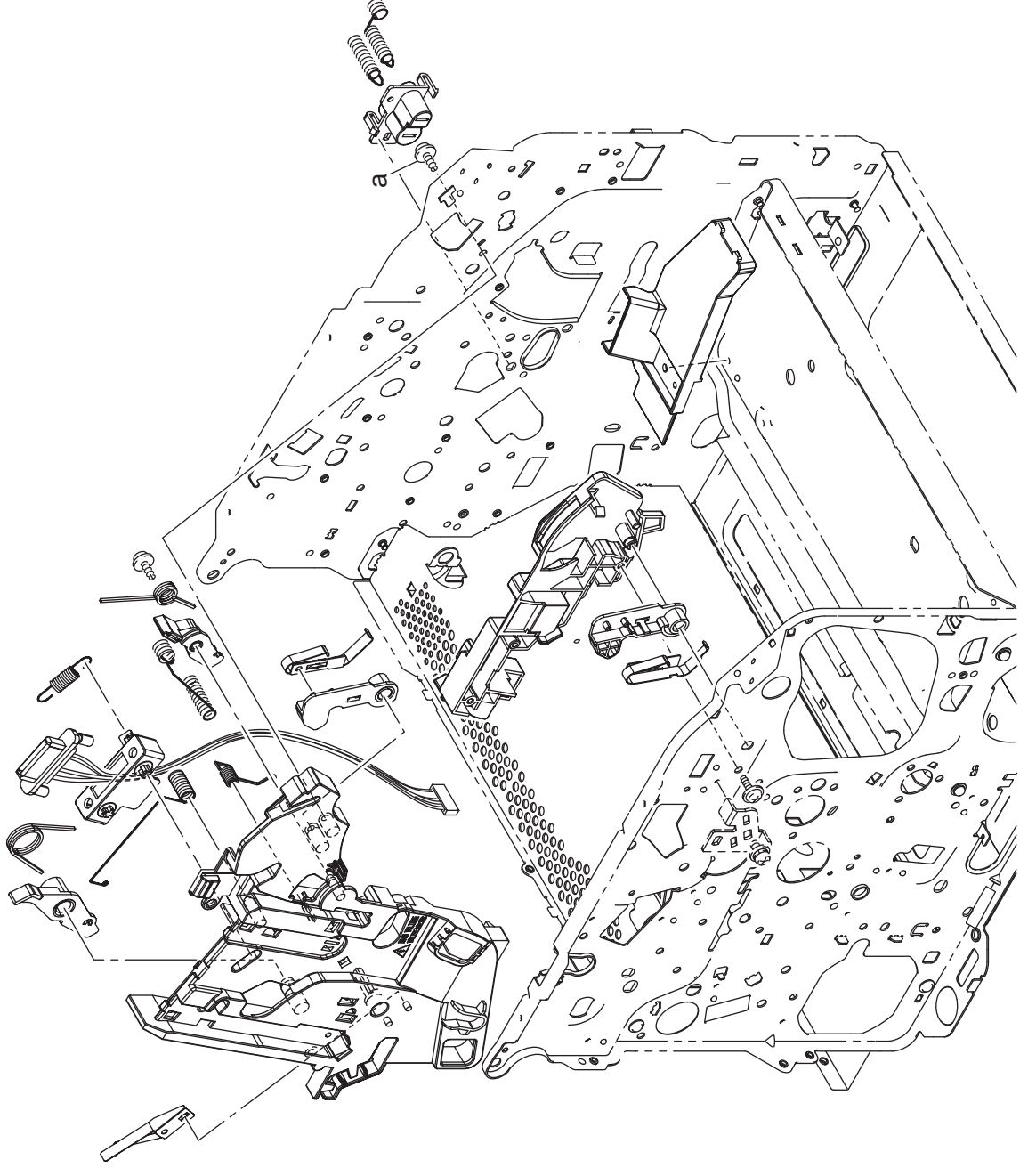
No.	Part No.	Part Name	Q'ty /Unit	commended Q'ty/Y			Remarks
				per 500	per 1000	per 2000	
2		Gear 40T	1	2	4	8	
3		Gear 15/26T	1	2	4	8	
4		Gear 13/25T	1	2	4	8	
5		Gear 34/35T	1	2	4	8	
6	44284953	Motor	1	2	4	8	
7		Gear 91T	1	2	4	8	
9		Conveyance Solenoid	1	2	4	8	
12		Gear 91T	1	2	4	8	
14		Gear 20/117T	1	2	4	8	
15		Gear 28/91T	1	2	4	8	
17		Gear 36/20T	1	2	4	8	
18		Gear 30T	1	2	4	8	
19		Gear 37/45T	1	2	4	8	
20		Gear 21T	1	2	4	8	

DRIVE SECTION_2

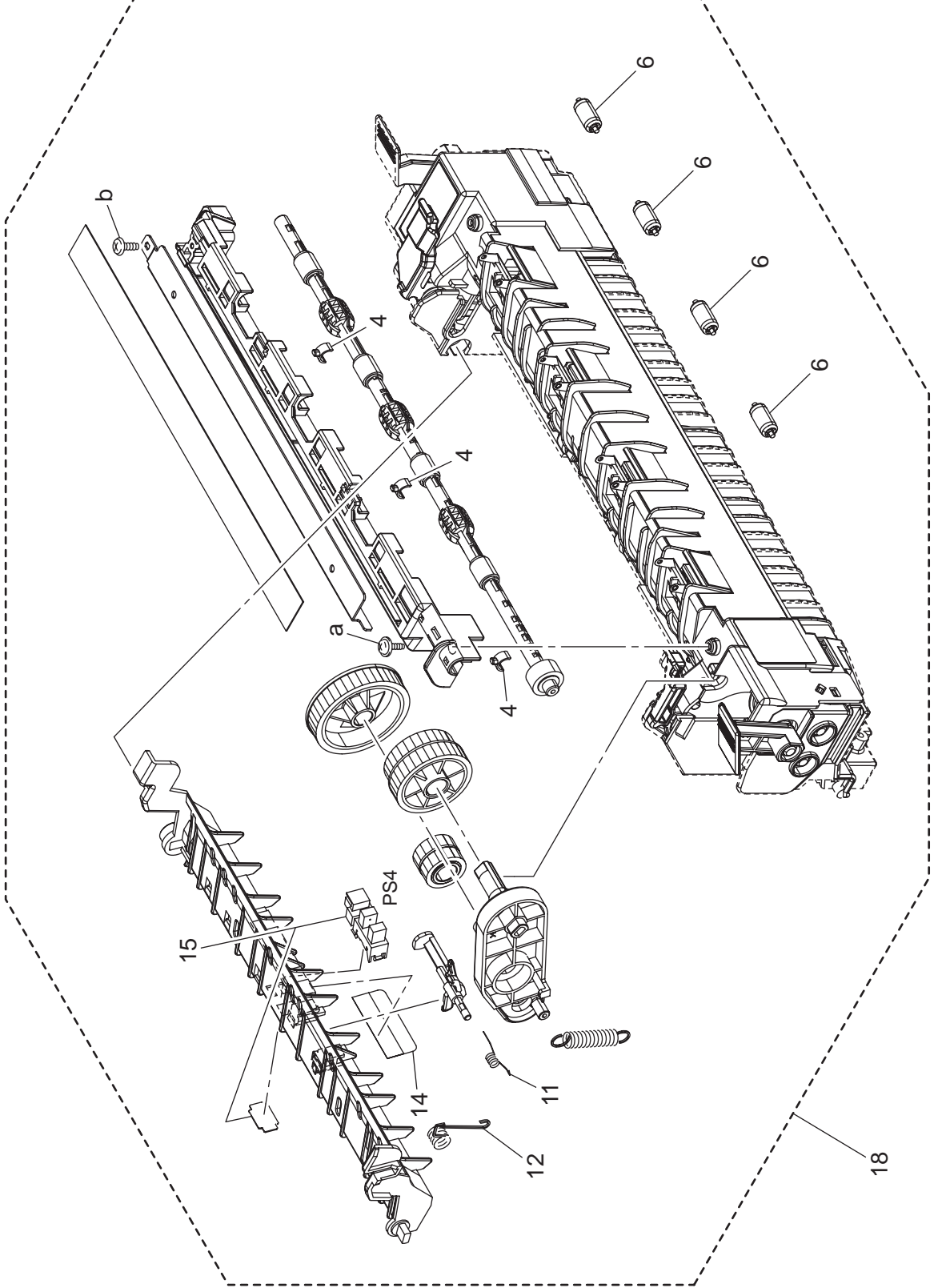


No.	Part No.	Part Name	Q'ty /Unit	commended Q'ty/Y			Remarks
				per 500	per 1000	per 2000	
7		Ratchet	1	2	4	8	
8		Gear 52T	1	2	4	8	
12		Gear 17T	2	3	6	12	
13		Gear 54/42T	1	2	4	8	
24		Paperfeed Solenoid	1	2	4	8	

RIGHT GUIDE SECTION

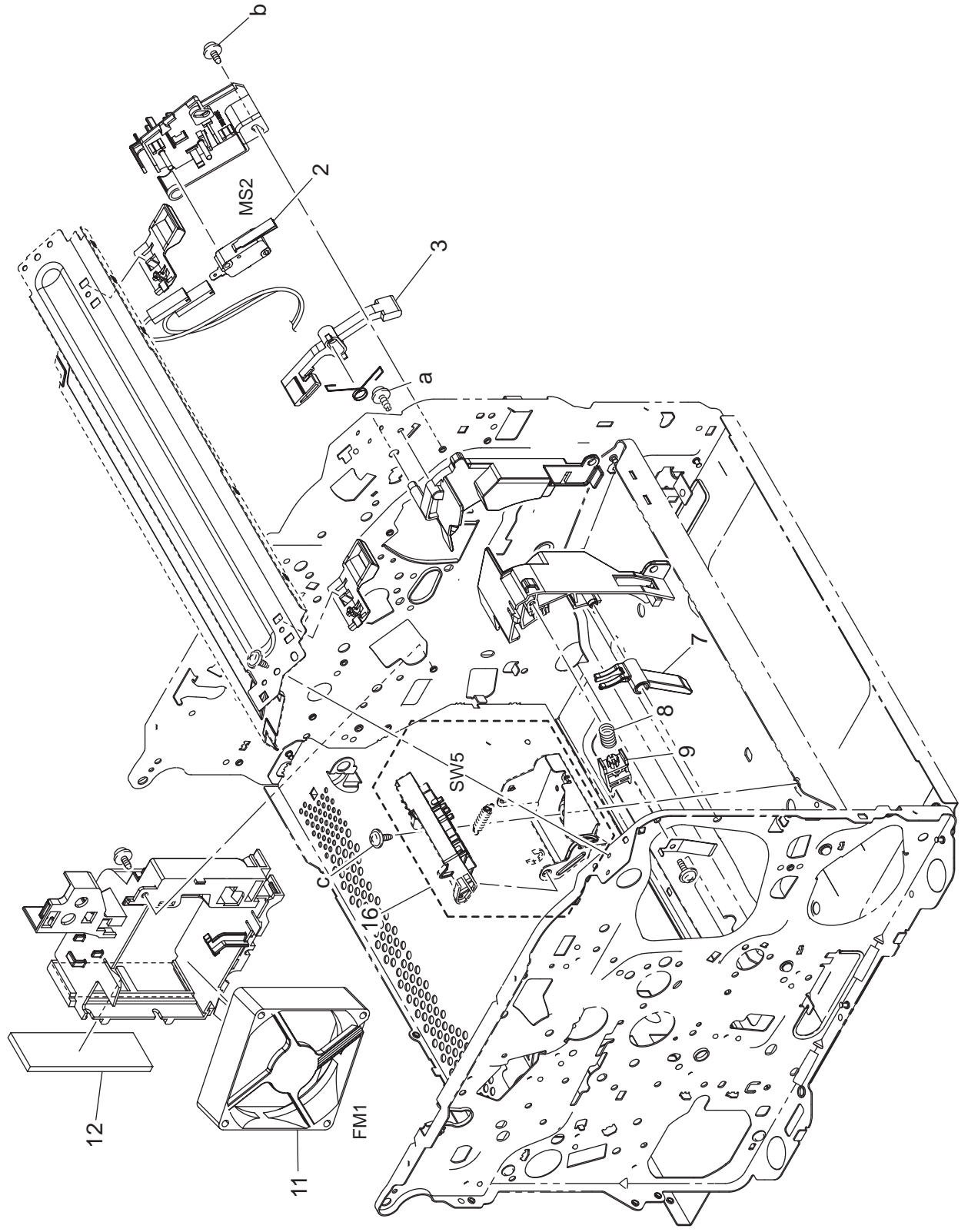


FUSING SECTION



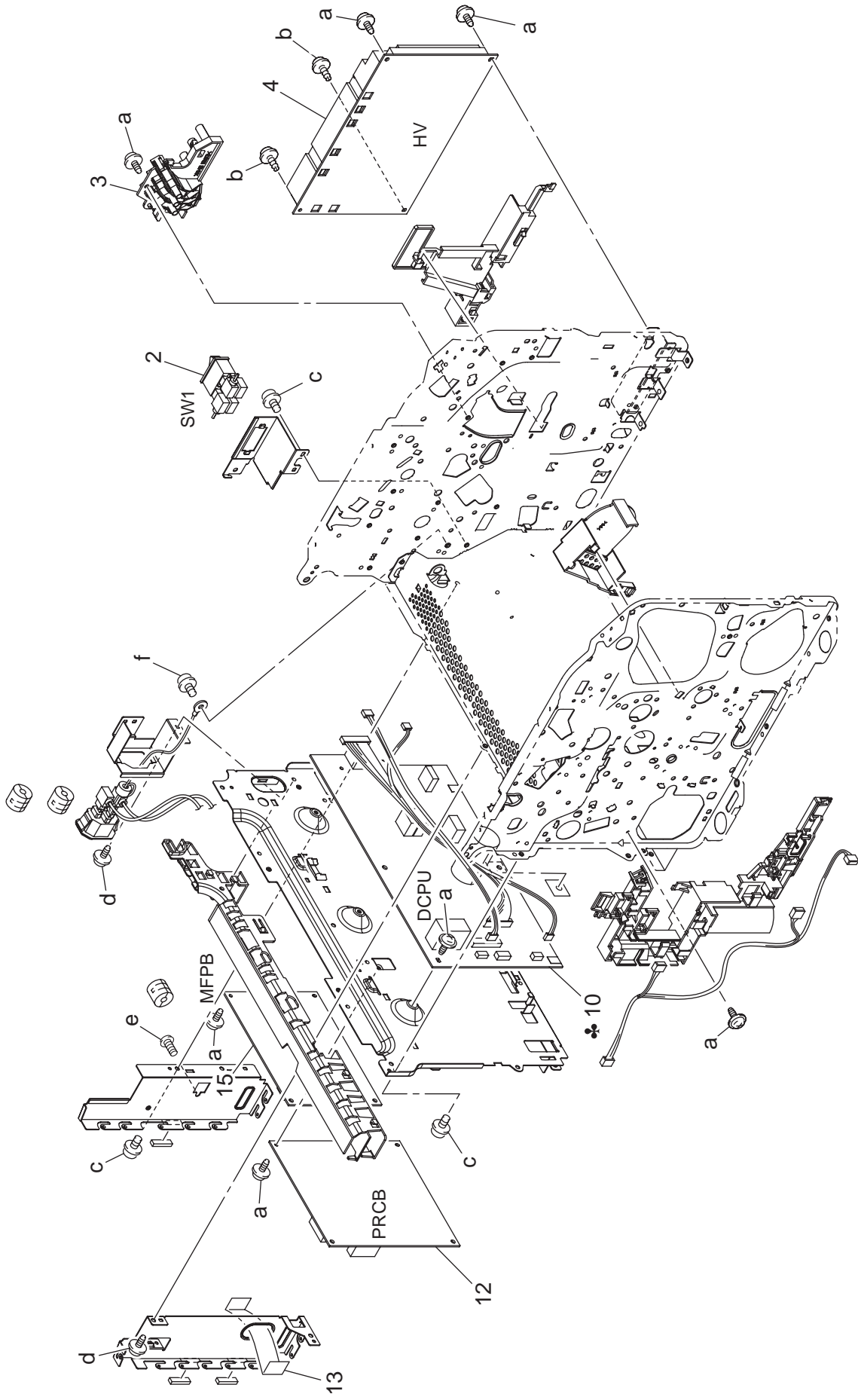
No.	Part No.	Part Name	Q'ty /Unit	commended Q'ty/Y			Remarks
				per 500	per 1000	per 2000	
4		Bushing	3	4	8	16	
6		ROLL	4	6	12	24	
11		Spring	1	2	4	8	
12		Torsion Coil spring	1	2	4	8	
14		Seal	1	2	4	8	
15	44284968	PHOTO INTERRUPTER	1	12	24	48	
18		Fusing SFP-230V (EUROPE)	1	12	24	48	
18	44284970	Fusing SFP-120V (USA)	1	12	24	48	

COOLING SECTION



No.	Part No.	Part Name	Q'ty /Unit	commended Q'ty/Y			Remarks
				per 500	per 1000	per 2000	
2	44284971	MICRO SWITCH	1	2	4	8	
3		Lever	1	2	4	8	
7		Lock Lever	1	2	4	8	
8		Compressing Coil spring	1	2	4	8	
9		Lock Claw	1	2	4	8	
11	44284976	FAN MOTOR	1	4	8	16	
12		Filter	1	2	4	8	
16	44284978	CSIC Contact Assy	1	12	24	48	

ELECTRICAL COMPONENTS



No.	Part No.	Part Name	Q'ty /Unit	commended Q'ty/Y			Remarks
				per 500	per 1000	per 2000	
2	44284979	Rocker switch	1	2	4	8	
3	44284980	Rack Contact Assy	1	2	4	8	
4	44284981	High voltage unit	1	12	24	48	
10		Power supply_200V_C110_EUROPE	1	12	24	48	
10		Power supply_100V_C110_USA	1	12	24	48	
10		Power supply_200V_C130_EUROPE	1	12	24	48	
10	44284985	Power supply_100V_C130_USA	1	12	24	48	
12	44284986	PWB Assembly (PWB-A Assy)	1	12	24	48	
13		Wiring_C110	1	2	4	8	
13		Wiring_C130	1	2	4	8	
15	44284989	Controller Main Board(RL)_C110	1	12	24	48	
15	44284990	PWB Assembly (PS/PCL)_C130	1	12	24	48	