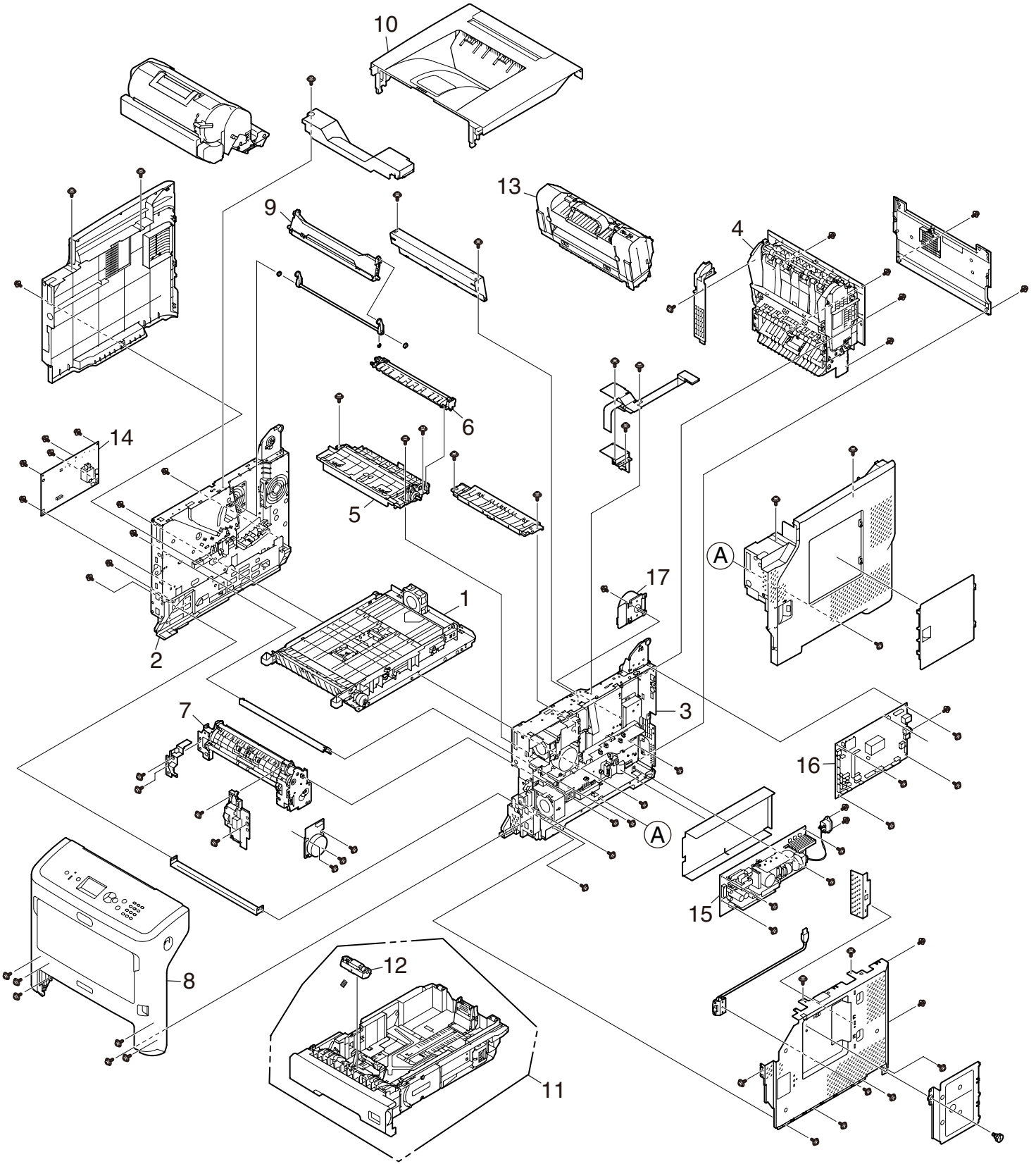


**B721dn / B731dn /  
MPS5501b  
Spare Parts  
Illustration Manual**

040816E

# Printer-Unit

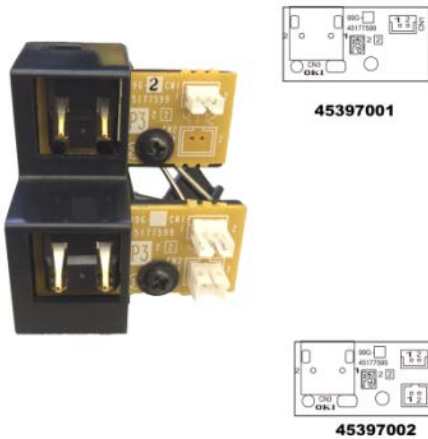


No.	Part No.	Part Name	Q'ty /Unit	Recommended Q'ty/Year			Comments
				per 500	per 1000	per 2000	
1	45372801	Plate-Assy-Base	1	1	2	4	
2	45373401	Plate-Assy-Side(L)	1	1	2	4	
3	45373501	Plate-Assy-Side(R)	1	1	2	4	
4	45375101	Eject-Assy	1	1	2	4	
5	45379001	TR-Assy-Front	1	1	2	4	
6	45379101	TR-Assy-Middle	1	1	2	4	
7	45377801	Feeder-Assy-Regist	1	1	2	4	
8	45376501	Cover-Assy-Front	1	1	2	4	
9	45378401	Holder-Assy-Head	1	1	2	4	
10	45378701	Cover-Assy-Stacker	1	1	2	4	
11	45373001	Cassette-Assy	1	1	2	4	
12	43895001	Frame-Assy-Retard	1	1	2	4	
13-a	45379304	Fuser-Assy- (120V)	1	5	10	20	
13-b	45379305	Fuser-Assy- (230V)	1	5	10	20	
14	45098901	Power Supply: High Voltage	1	1	2	4	
15	45280101	PWR unit-ACDC Switch	1	1	2	4	
16-a	45102001	Board- Main	1	1	2	4	Oki Data
16-b		Board-	1	1	2	4	
17	45371201	Motor-DC(F)	1	1	2	4	



## Drum & Toner Contact Location within the printer

Note: This part is comprised of two parts on one assembly. Each part is identified by its part number



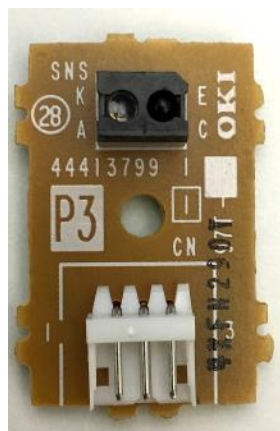
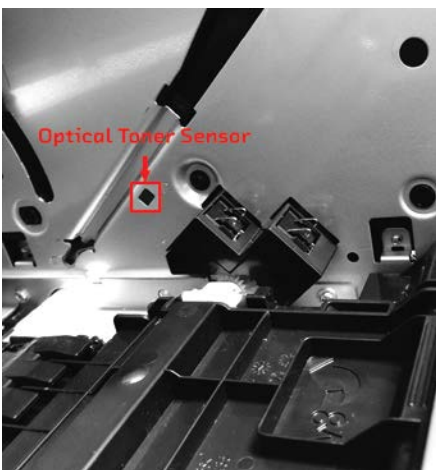
45397001 - OR-Board Assy 99G Cartridge Contact Sensor

This board has one (2) pin connector on the circuit board

45397002 - OR-Board Assy. 99G-2 cartridge Contact Sensor

This board has two (2) pin connectors on the circuit board.

There is not a single part number for the entire assembly!

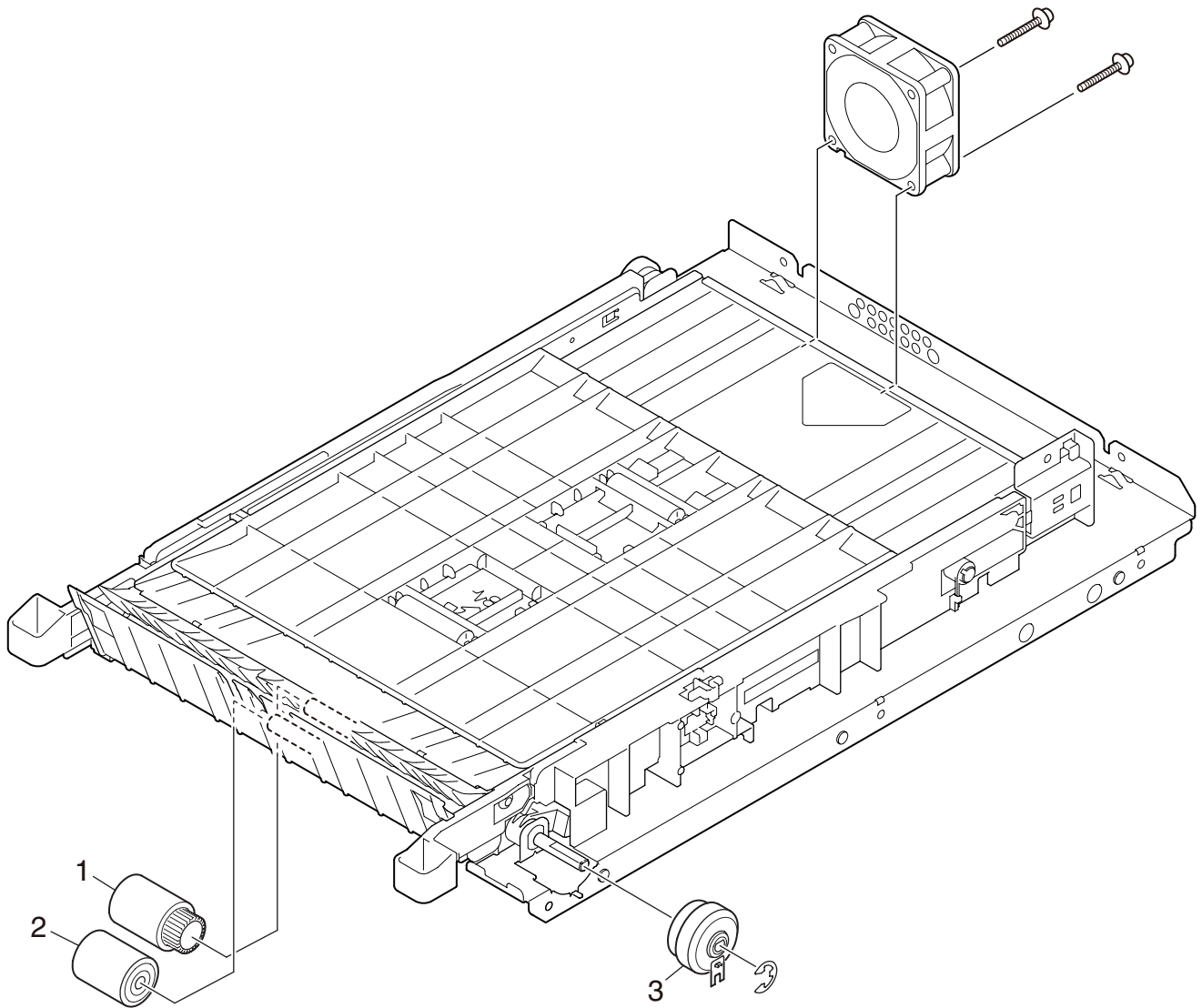


## Optical Toner Sensor Location & Part Number

55050501 – PCB: SENSOR (LQEW OR LPRW)

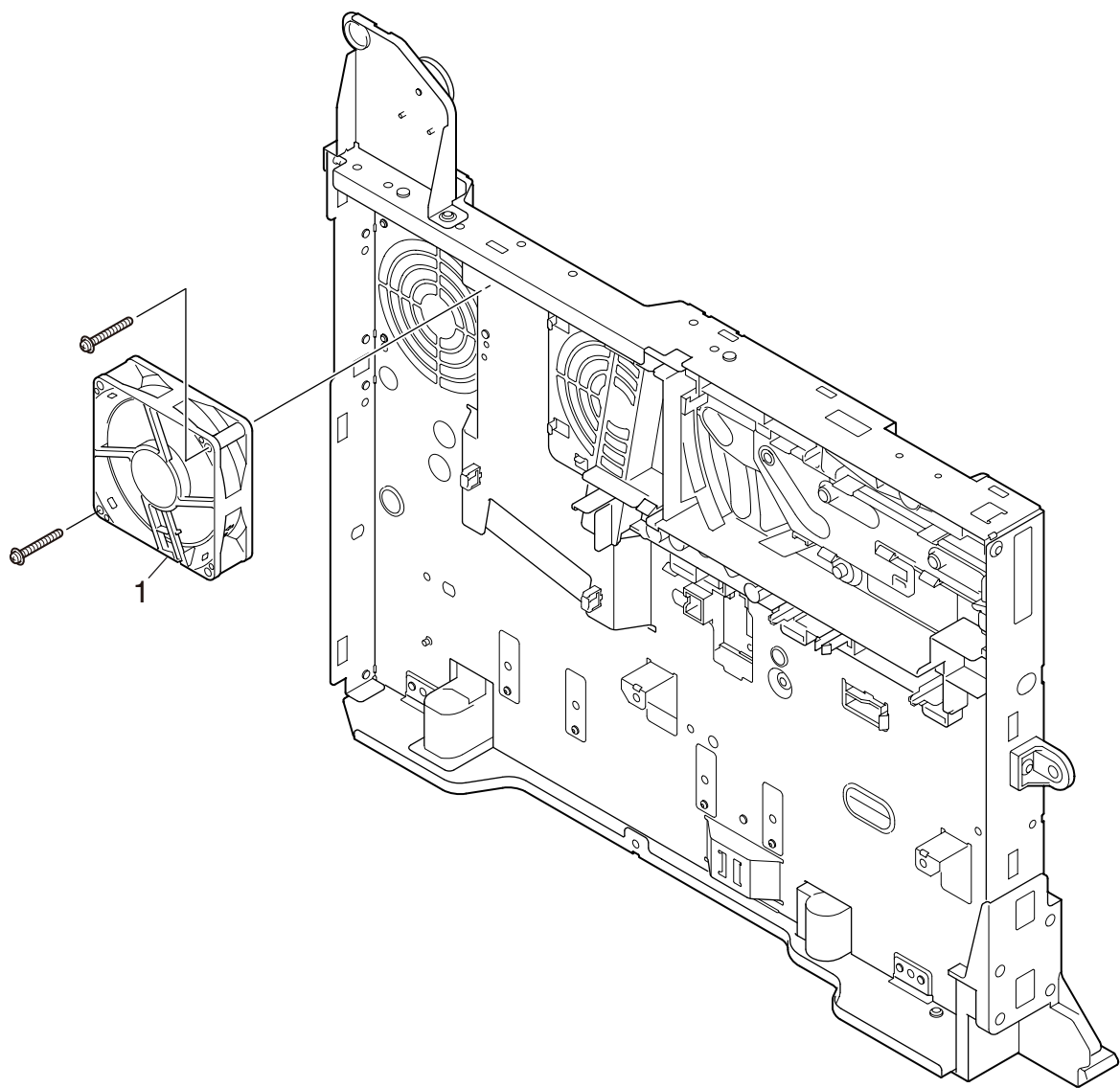
This Optical Sensor is mounted behind the Drum / Toner Right Side Frame.

# Plate-Assy-Base



No.	Part No.	Part Name	Qty /Unit	Recommended Qty/Year			Comments
				per 500	per 1000	per 2000	
1	42699401	Roller-Pick-Up	1	1	2	4	
2	43000601	Roller-Feed-NOW	1	1	2	4	
3	45366001	Clutch	1	1	2	4	

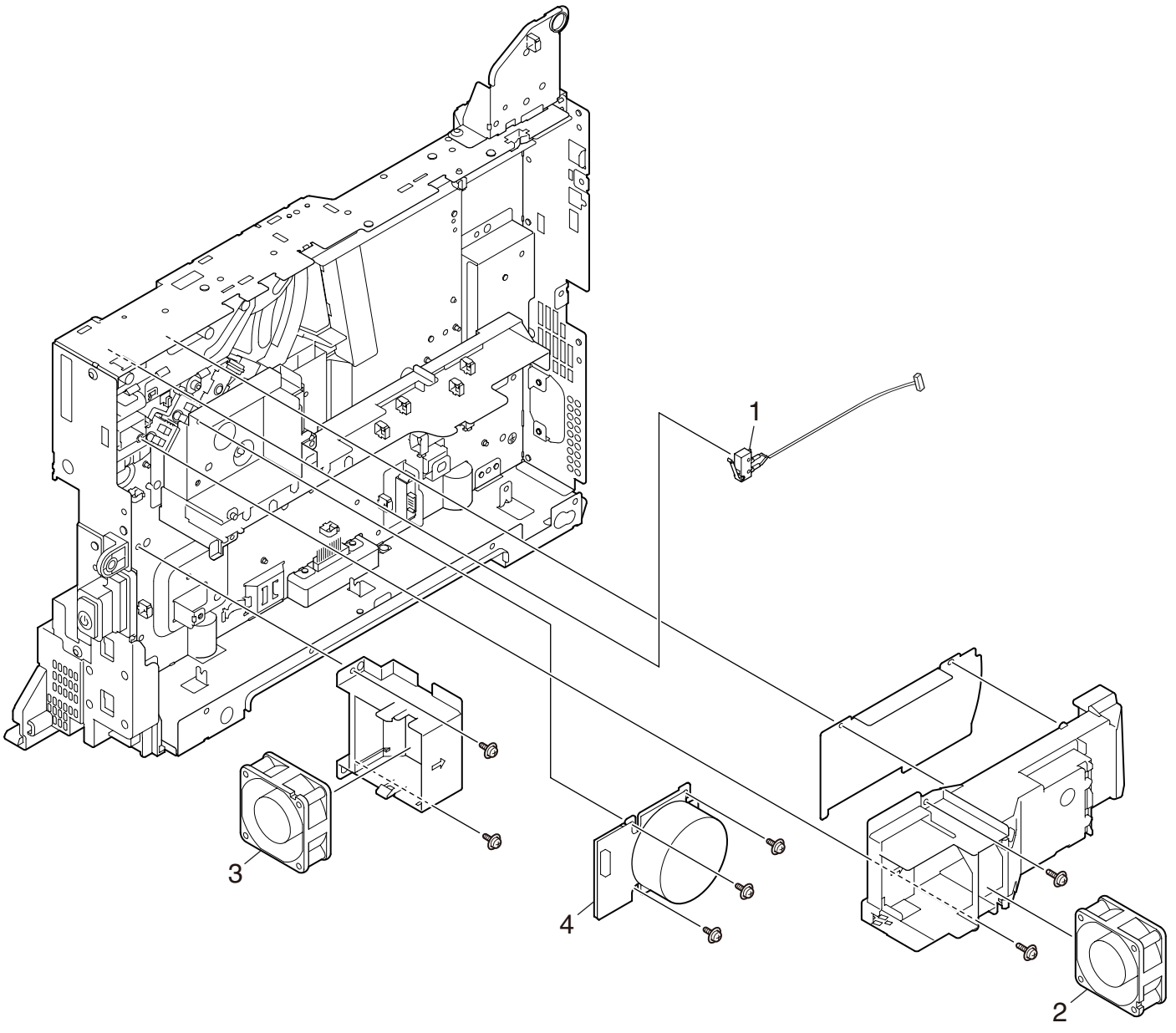
### Plate-Assy-Side(L)



No.	Part No.	Part Name	Q'ty /Unit	Recommended Q'ty/Year			Comments
				per 500	per 1000	per 2000	
1		U80T24MUA7-53J10	1	1	2	4	

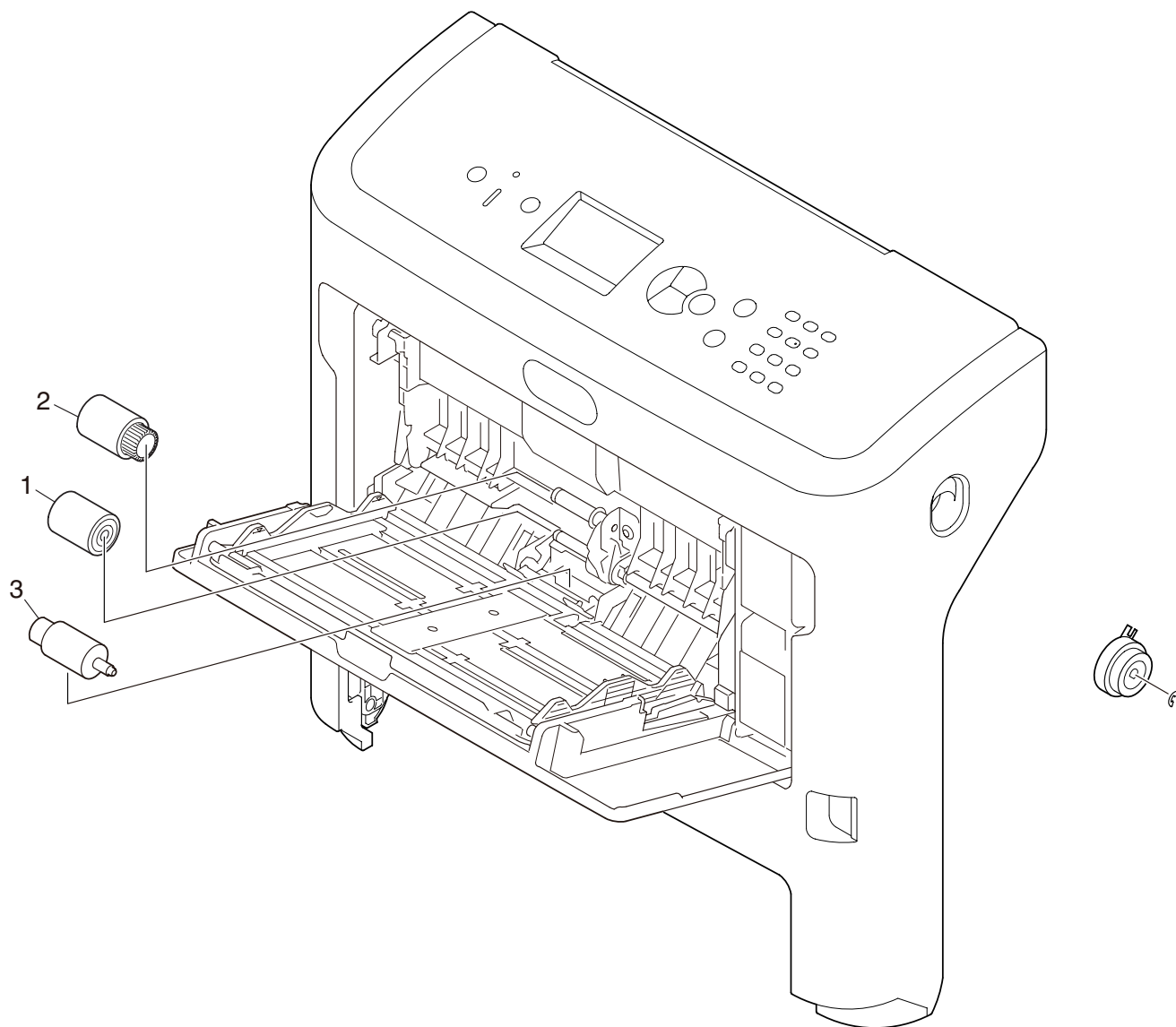


### Plate-Assy-Side(R)



No.	Part No.	Part Name	Q'ty /Unit	Recommended Q'ty/Year			Comments
				per 500	per 1000	per 2000	
1		CONN Cord-JST3P-SW	1	1	2	4	
2	45488201	Motor-Fan(60)	1	1	2	4	
3	45488202	Motor-Fan(60)	1	1	2	4	
4	45363001	Motor-DC-ID	1	1	2	4	

### Cover-Assy-Front



No.	Part No.	Part Name	Q'ty /Unit	Recommended Q'ty/Year			Comments
				per 500	per 1000	per 2000	
1	44750301	Roller-Feed-NOW	1	1	2	4	
2	42699401	Roller-Pick-Up	<u>1</u>	<u>1</u>	<u>2</u>	<u>4</u>	
3	44732301	Roller Assy.-Retard	1	1	2	4	