

Section 12 - Parts List**Contents**

PL1.1	Covers I	12-2
PL1.2	Covers II	12-4
PL2.1	Paper Cassette I	12-6
PL2.2	Paper Cassette II	12-8
PL3.1	Paper Feeder	12-10
PL4.1	Chute MBF	12-12
PL5.1	P/H Assy	12-14
PL6.1	Chute Trans & Fuser	12-16
PL7.1	Exit	12-18
PL8.1	Drive & Xerographics	12-20
PL9.1	Frame & Size Sensor	12-22
PL10.1	Electrical	12-24

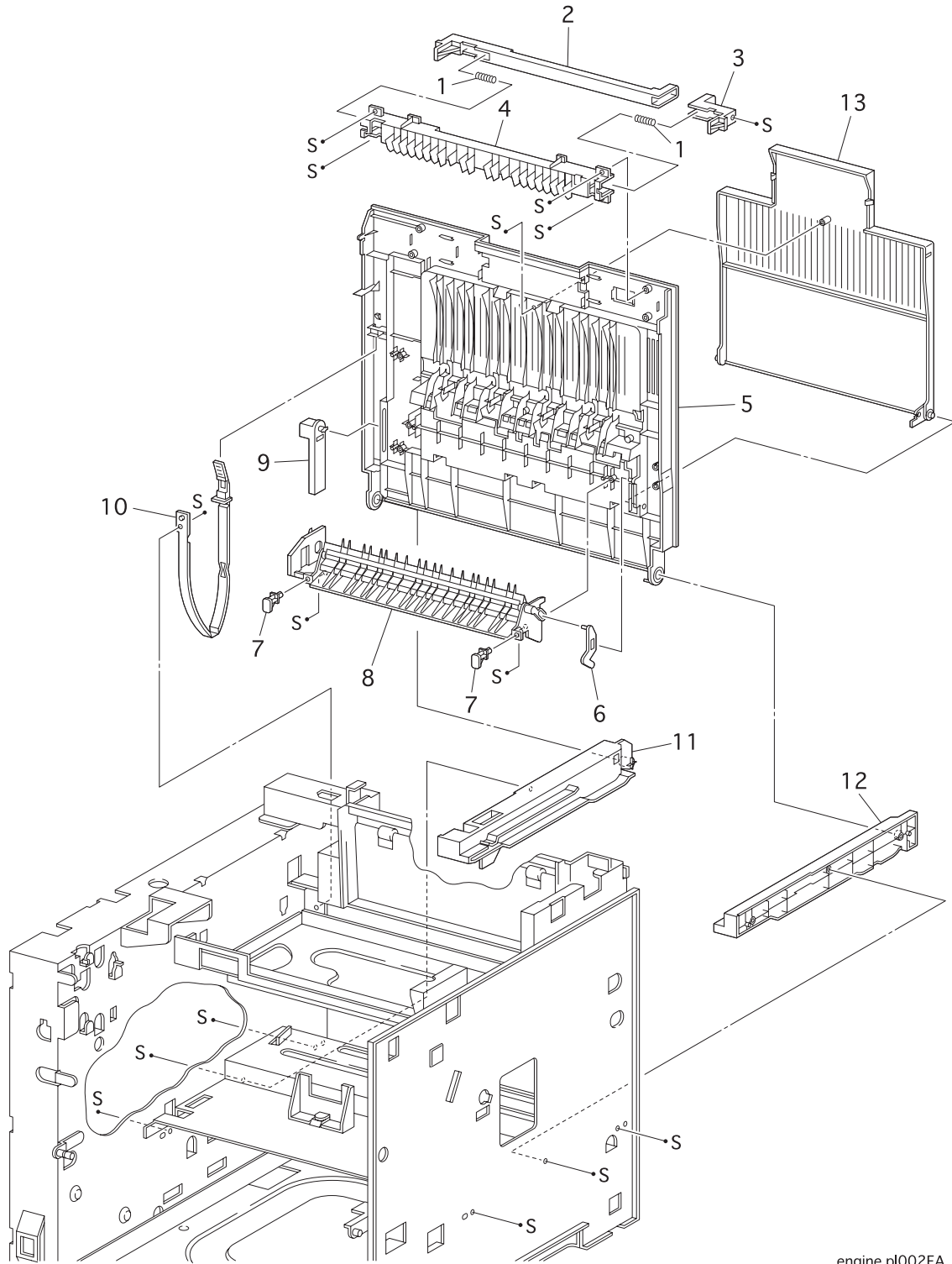
Using the Parts List

1. The numbers shown in each illustration correspond to the parts list number for that illustration.
2. Throughout this manual, parts are identified by the prefix "PL", followed by a number, a decimal point, and another number. For example, PL3.1.12 means the part is item 12 of parts list 3.1.
3. The capital letters "C", "E", and "S" shown in an illustration stand for C-ring, E-ring, and Screw, respectively.
4. A shaded triangle t in an illustration indicates the item is part of an assembly.
5. The notation "with X~Y" following an part name indicates an assembly that is made up of components X through Y. For example, "1 (with 2~4)" means part 1 consists of part 2, part 3, and part 4.
6. The notation "RS" means that the part is a requested spare. Part numbers for these parts will be provided as soon as they are available.
7. An asterisk * following a part name indicates the page contains a note about this part.
8. The notation "J1<>J2 and P2" is attached to a wire harness. It indicates that connector jack 1 is attached to one end of the wire harness and connector jack 2 is attached to the other end that is plugged into plug 2.
9. A notation "(part of item 1.1)" indicates that the part is included with item 1.2.1 (PL1.2, line item 1).

PL1.1 Covers I

ITEM	PART NUMBER	PART NAME
1	53080401	COVER LEFT
2	53080501	COVER ASSY I/F
3	---	
4	53080601	COVER OPTION
5	53080701	COVER ASSY TOP (with 23)
6	50227201	CONTROL ASSY PANEL (with 7)
7	56735001	HARNESS ASSY PANEL (J362-J363)
8	53080801	COVER RIGHT
9	53080901	COVER ASSY FRONT (with 10~13,15~17,20~22,26)
10	---	COVER FRONT
11	---	LATCH ASSY L
12	---	LEVER
13	---	LATCH ASSY R
14	53081101	STOPPER COVER
15	---	CHUTE ENV
16	50226901	STOPPER TRAY
17	50225601	TRAY ASSY MBF
18	---	
19	53081501	COVER FRONT L/H
20	---	CHUTE MBF
21	---	ENV GEAR COVER
22	50710001	CLIP
23	---	SPRING EARTH EXIT 2
24	---	JOINT SPRING
25	---	SPRING FRONT
26	50225901	CLEANING PAD ASSY
27	---	CONTROL PANEL OVERLAY

PL1.2 Covers II



PL1.2 Covers II

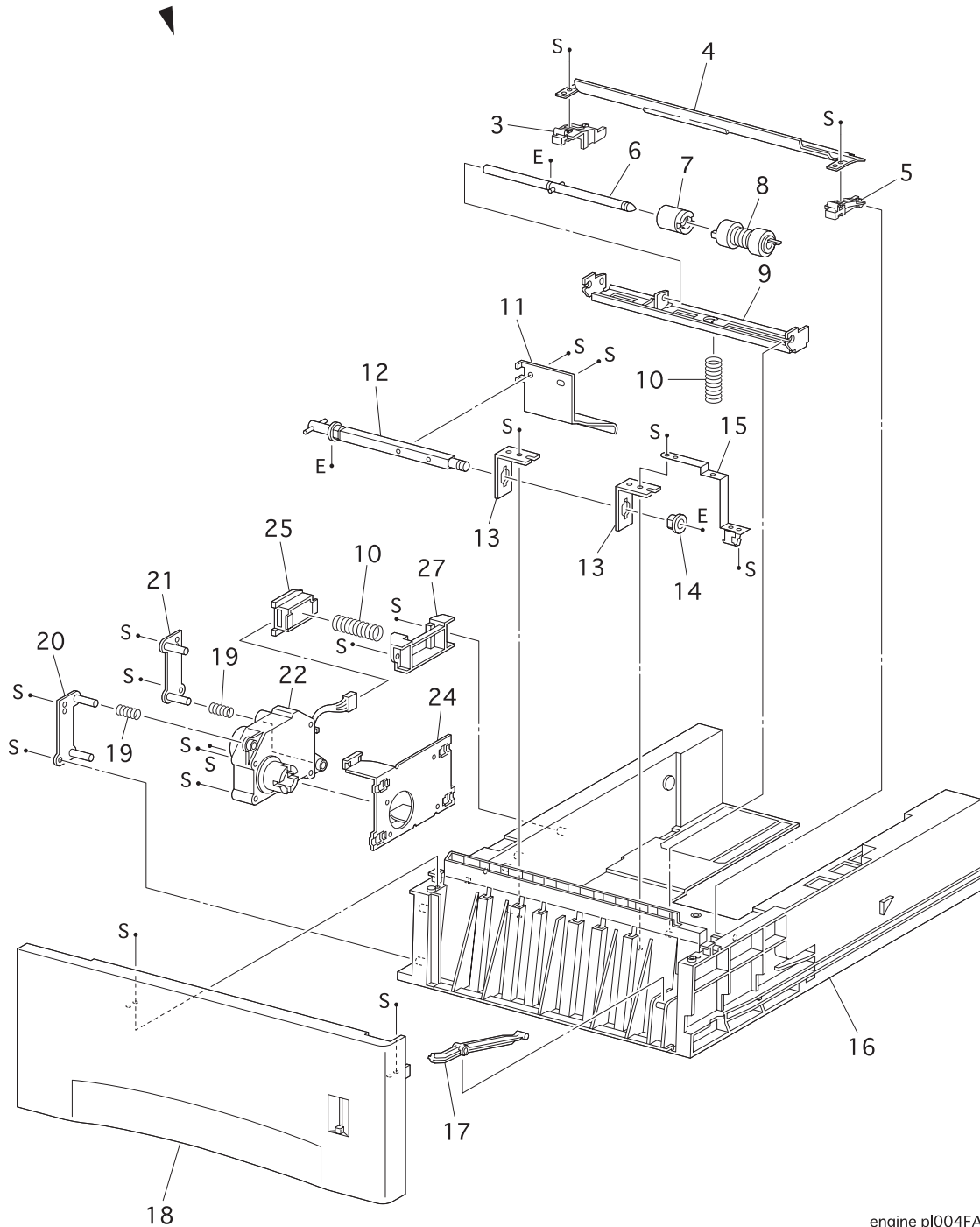
ITEM	PART NUMBER	PART NAME
1	---	SPRING LATCH
2	---	LATCH L
3	---	LATCH R
4	---	COVER LATCH
5	---	COVER REAR
6	---	ARM DIRECTION
7	---	CAP ENVELOPE
8	---	CHUTE ASSY FACE UP
9	---	STOPPER PIVOT R
10	50609001	STOPPER
11	---	GUIDE RAIL DUP L
12	---	GUIDE RAIL DUP R
13	---	OVER FACE UP
98	58261501	KIT CAP ENVELOPE (qty. 2 of item 7)
99	53081001	COVER ASSY REAR (with 1~9)

PL2.1 Paper Cassette I

ITEM	PART NUMBER	PART NAME
1	---	CASSETTE ASSY (with 2~23)
2	---	PLATE ASSY BOTTOM
3	---	
4	---	
5	58261601	KIT GUIDE END
6	---	HOUSING EXTENSION
7	---	SLIDE RACK
8	---	SPRING EXTENSION
9	---	LATCH SPRING
10	---	PLATE SIZE
11	---	BASE EXTENSION
12	---	GUIDE SIZE L
13	---	GUIDE ASSY SIDE R
14	---	LINK
15	---	BASE CST
16	---	RACK
17	---	PINION
18	---	CASSETTE SUB ASSY [same PL2.21]
19	---	ACTUATOR CST
20	---	COVER ACTUATOR
21	---	LABEL BUTTON
22	---	LABEL INDICATOR
23	---	LABEL CST INSTRUCTION

PL2.2 Paper Cassette II

1 (with 2~27) [Same PL2.1.18]

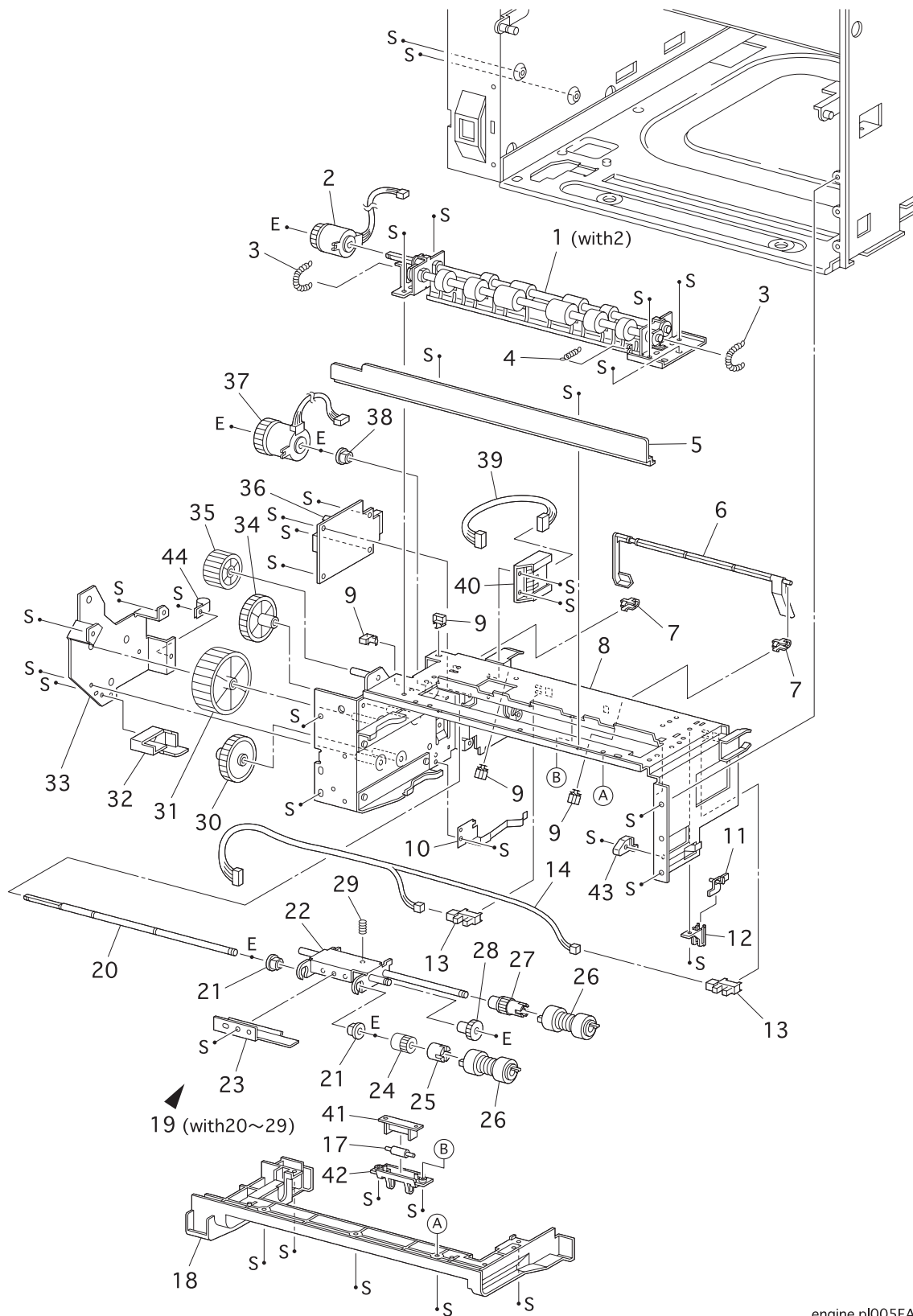


engine pl004FA

PL2.2 Paper Cassette II

ITEM	PART NUMBER	PART NAME
1	---	CASSETTE SUB ASSY (with 2~27) [Same PL2.1.18] (REF. ONLY)
2	---	
3	---	CHUTE RETARD BASE L
4	---	CHUTE RETARD
5	---	CHUTE RETARD BASE R
6	---	SHAFT ASSY RETARD
7	51401201	CLUTCH ASSY FRICTION
8	---	ROLL ASSY
9	---	BRACKET RETARD
10	50933901	SPRING RETARD
11	---	PLATE TONGUE
12	---	SHAFT ASSY TONGUE
13	---	HOLDER SHAFT LIFT UP
14	---	BEARING
15	---	SPRING EARTH LIFT UP
16	---	HOUSING CASSETTE
17	---	LEVER
18	---	HANDLE ASSY CASSETTE
19	---	SPRING MOTOR
20	---	HOLDER R
21	---	HOLDER L
22	56517001	MOTOR ASSY
23	---	
24	---	HOLDER ASSY MOTOR
25	56734901	CONNECTOR
26	---	
27	---	GUIDE SOCKET
99	58261701	KIT ROLL FEED (qty. 3 of item 8)

PL3.1 Paper Feeder

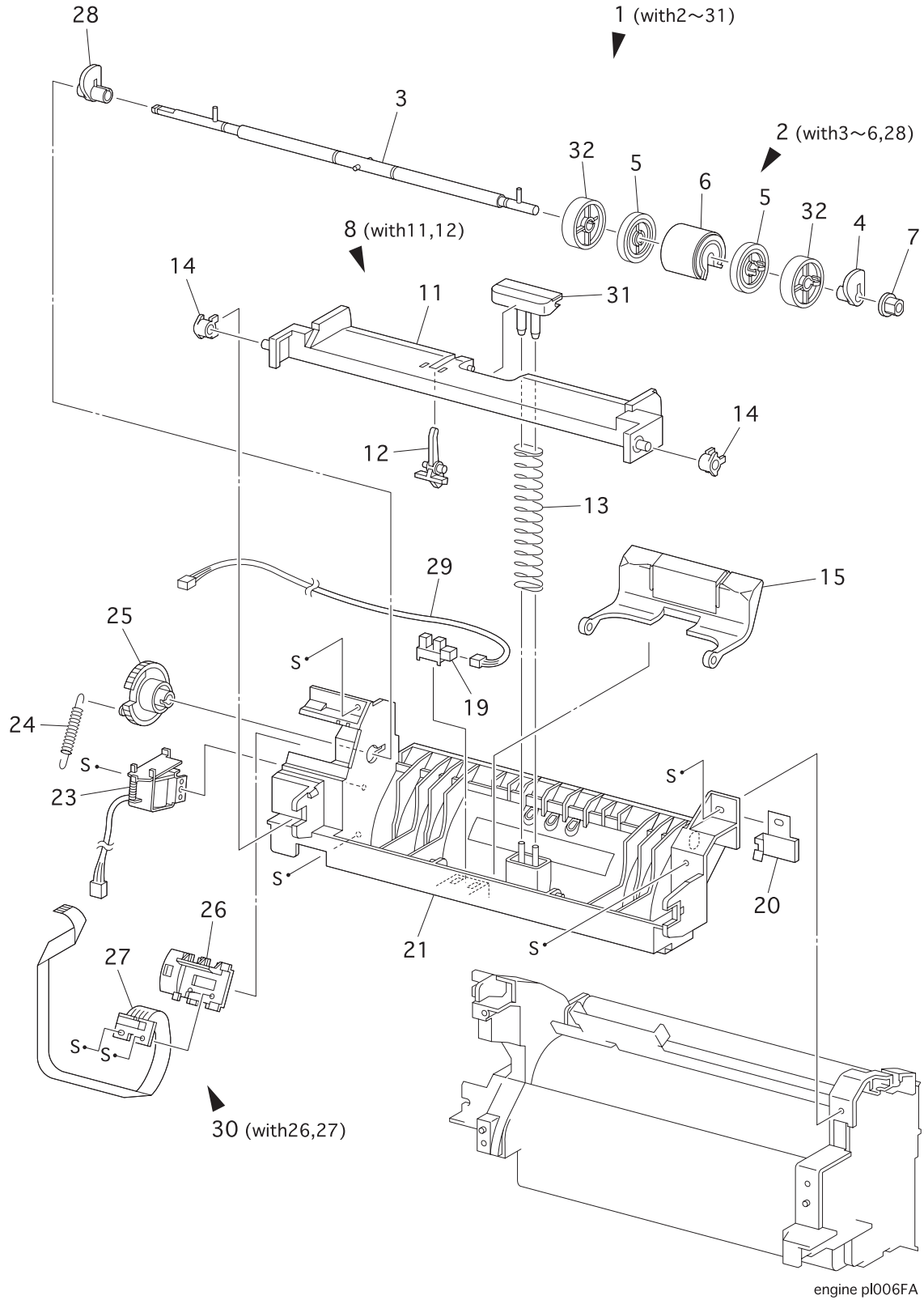


engine pl005FA

PL3.1 Paper Feeder

ITEM	PART NUMBER	PART NAME
1	50415501	ROLL ASSY TURN (with 2)
2	51401301	CLUTCH ASSY TURN
3	---	SPRING EXTENSION
4	50934001	SPRING CHUTE
5	---	COVER CST FEED
6	53352101	ACTUATOR N/P
7	53352201	SUPPORT ACTUATOR
8	---	FRAME ASSY FEEDER
9	---	CLAMP
10	---	SPRING LATCH L
11	---	ACTUATER LOW PAPER
12	---	SUPPORT ACTUATOR L/P
13	50415001	SENSOR PHOTO :FACE CONTROL,LOW PAPER
14	56735101	HARNESS ASSY N/SNSR (J66-J661,J662)
15	---	
16	---	
17	---	ROLL 7
18	---	COVER FEEDER
19	50226501	FEEDER ASSY (with 20~29)
20	---	SHAFT FEED
21	---	BEARING
22	---	SUPPORT ASSY NUDGER
23	---	CLUTCH NUDGER
24	---	CLUTCH GEAR
25	---	CLUTCH ASSY O/W
26	---	ROLL ASSY
27	---	GEAR 25T
28	---	GEAR 31T
29	---	SPRING NUDGER
30	---	GEAR 4
31	---	GEAR 2
32	---	COVER GEAR
33	---	BRACKET
34	---	GEAR 3
35	---	GEAR 1
36	50226801	PWBA FEEDER
37	51401401	CLUTCH ASSY FEED
38	---	BEARING
39	---	HARNESS ASSY N/MOT (J67-J671)
40	---	SOCKET
41	---	SUPPORT ROLL-7
42	---	CHUTE TURN
43	---	STOPPER CST
44	---	CLAMP
96	58262501	KIT SOCKET & HARNESS (39, 40) (same as)
97	58262601	KIT ACTUATOR & SUPPORT (11, 12)
98	58261801	KIT FEEDER ASSY (1~40)
99	58261701	KIT ROLL FEED (qty. 3 of item 26)

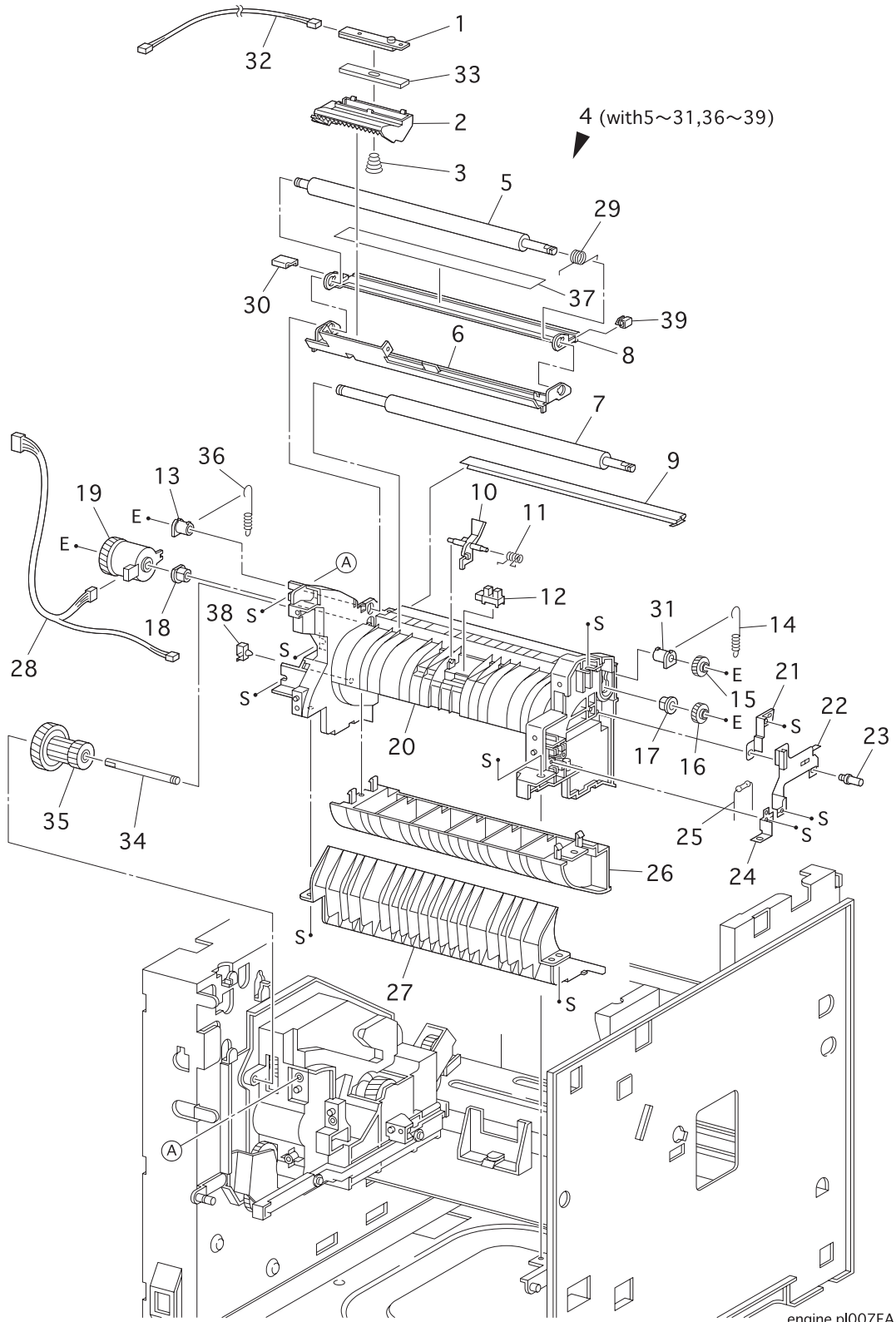
PL4.1 Chute MBF



PL4.1 Chute MBF

ITEM	PART NUMBER	PART NAME
1	50226601	CHUTE MBF ASSY (with 2~31)
2	---	ROLL ASSY MBF (with 3~6,28)
3	---	SHAFT ASSY MBF
4	---	CAM PICK UP MBF
5	---	CORE
6	50418801	ROLL ASSY MBF
7	---	BEARING
8	---	TRAY BOTTOM ASSY (with 11,12)
9	---	
10	---	
11	---	TRAY BOTTOM
12	53352301	ACTUATOR N/P MBF
13	---	SPRING TRAY BOTTOM MBF
14	---	BEARING EXIT
15	50518001	PAD ASSY RETARD
16	---	
17	---	
18	---	
19	---	SENSOR PHOTO :PAPER SET
20	---	PLATE EARTH MBF
21	---	CHUTE ASSY MBF
22	---	
23	56517201	SOLENOID PICK UP
24	50934101	SPRING MBF
25	51243301	GEAR PICK UP
26	---	PLATE ENV CONECTOR
27	56736601	CONECTOR ASSY ENV
28	---	CAM PICK UP MBF (LEFT)
29	56735201	HARNESS ASSY MBF NOPAP (J45-J451)
30	---	PLATE ENV ASSY (with 26,27)
31	50518101	PAD ASSY PICK UP
32	---	GUIDE ROLL

PL5.1 P/H Assy

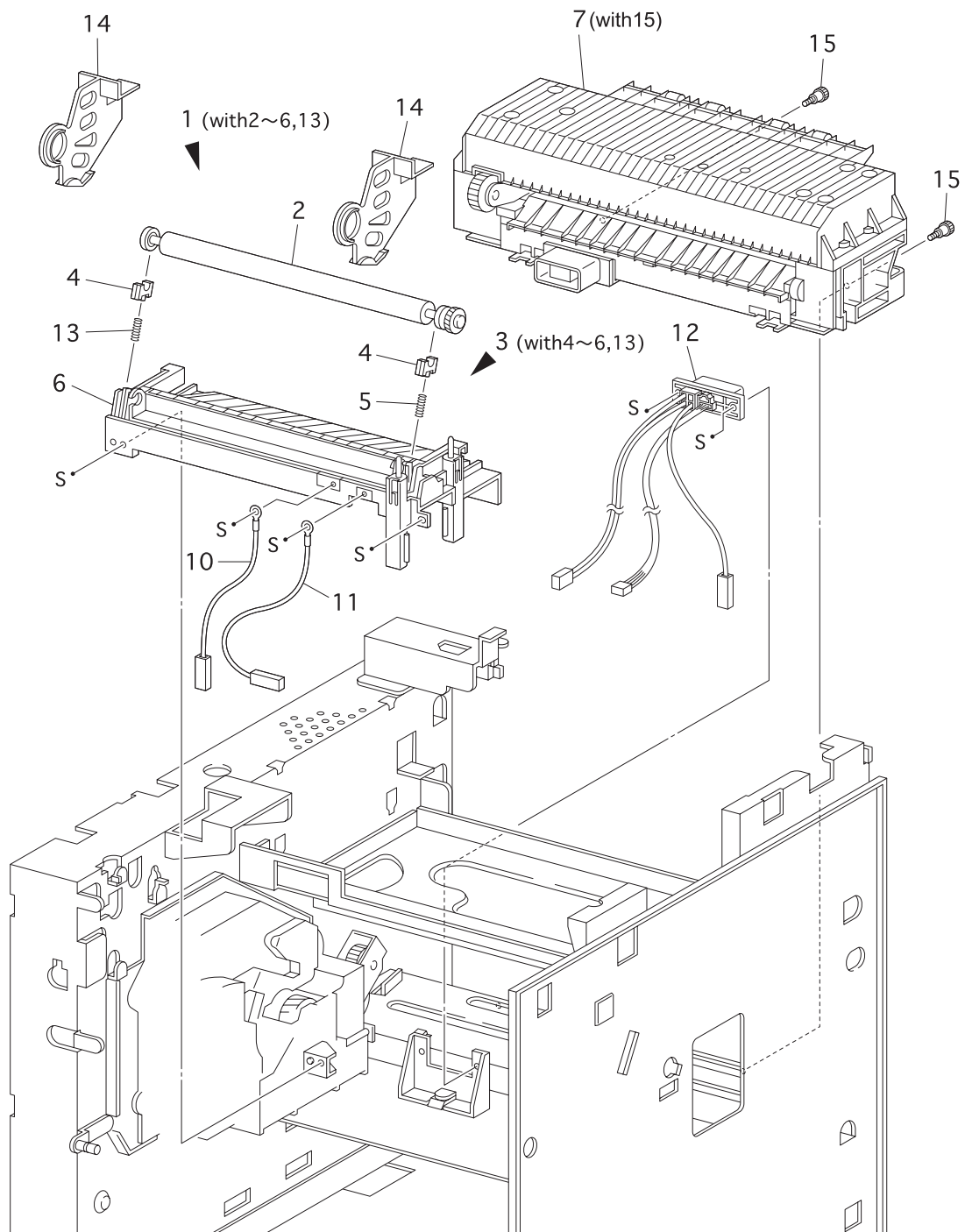


engine pl007FA

PL5.1 P/H Assy

ITEM	PART NUMBER	PART NAME
1	---	TONER SENSOR
2	---	HOLDER TONER SENSOR
3	---	SPRING TONER SENSOR
4	50226101	P/H ASSY (with 2,5~31,36~39)
5	---	ROLL REGI METAL
6	---	CHUTE UPPER ASSY
7	51712801	ROLL REGI RUBBER
8	---	CHUTE INLET
9	---	SPRING EARTH BOTTOM
10	53352401	ACTUATOR REGI
11	50934201	SPRING SENSOR REGI
12	50415001	SENSOR PHOTO :REGI
13	---	BEARING METAL
14	50934301	SPRING REGI
15	51243401	GEAR REGI METAL
16	51243501	GEAR REGI RUBBER
17	---	BEARING RUBBER R
18	---	BEARING RUBBER L
19	51401901	CLUTCH REGI
20	---	CHUTE BOTTOM UPPER
21	---	SPRING EARTH RIGHT
22	---	SPRING EARTH CENTER
23	---	SCREW EARTH
24	---	SPRING LEFT
25	---	RESISTOR
26	---	CHUTE BOTTOM LOWER
27	---	CHUTE CST
28	56735301	HARNESS ASSY REGI (J43-J432,J433)
29	---	SPRING TORSION
30	---	HANDLE LEVER
31	---	BEARING METAL R
32	---	HARNESS ASSY TONER SENSOR (J42-J421)
33	---	CUSHION TNS
34	51115001	SHAFT 14
35	51243601	GEAR 14
36	50934401	SPRING REGI L
37	---	LABEL INLET
38	---	CLAMP
39	---	CAP INLET
99	58261901	KIT TONER SENSOR (with 1~3, 32, 33)

PL6.1 Chute Trans & Fuser

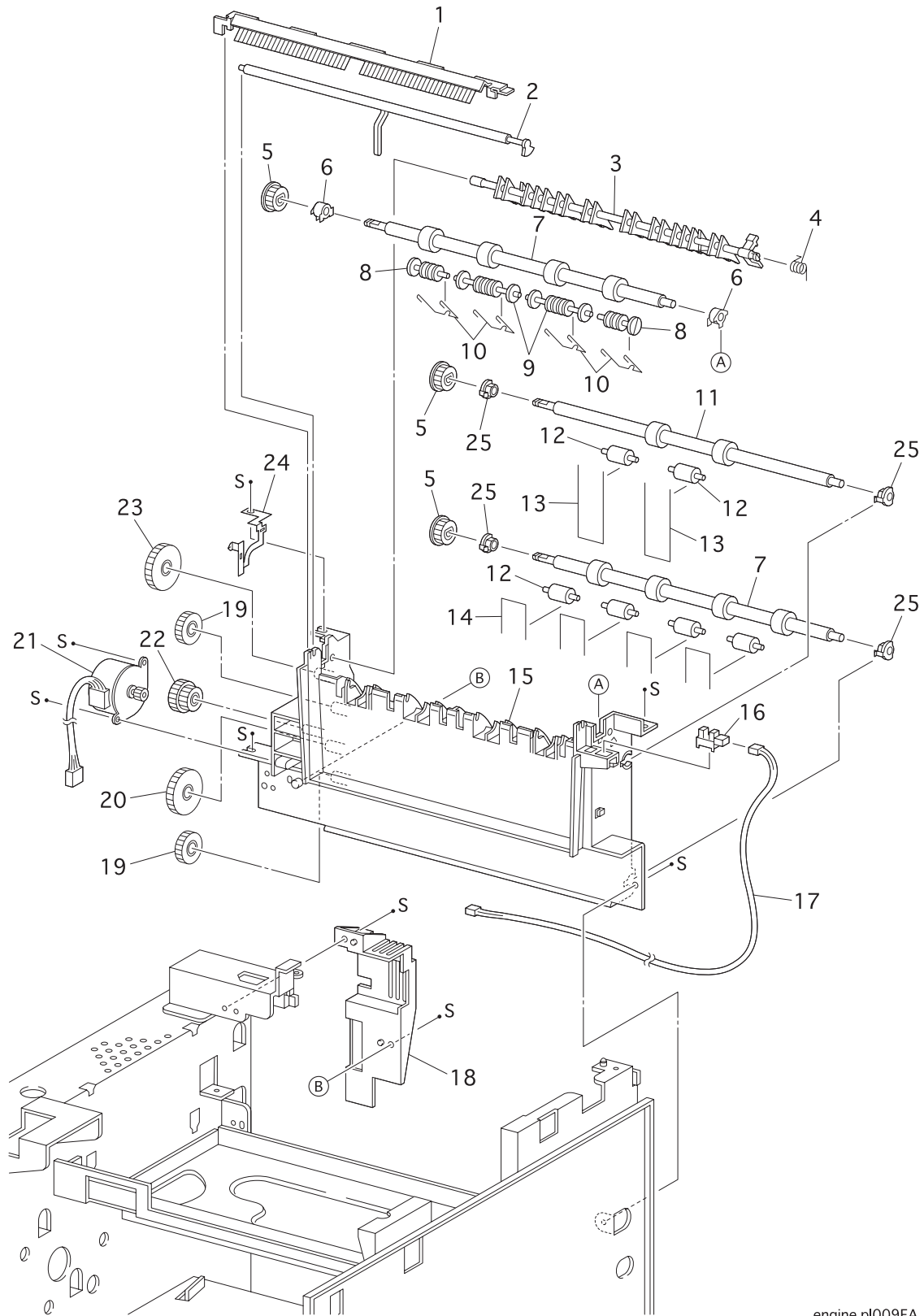


engine pl008FA

PL6.1 Chute Trans & Fuser

ITEM	PART NUMBER	PART NAME
1	---	BTR CHUTE ASSY (with 2~6,13)
2	50226701	BTR ASSY
3	53352701	CHUTE TRANS ASSY (with 4~6,13)
4	---	BEARING BTR SUP
5	---	SPRING BTR
6	---	CHUTE TRANS (REFERENCE ONLY)
7	50226301	120V FUSER ASSY (with 15)
--	50226401	220V FUSER ASSY (with 15)
8	---	
9	---	
10	---	WIRE ASSY DTS
11	---	WIRE ASSY TR
12	56736401	120V HARNESS ASSY FUSER-M (J271,J11,J27,J262)
--	56736501	220V HARNESS ASSY FUSER-M (J271,J11,J27,J262)
13	---	SPRING BTR L
14	50710101	HOLDER BTR
15	---	THUMB SCREW

PL7.1 Exit

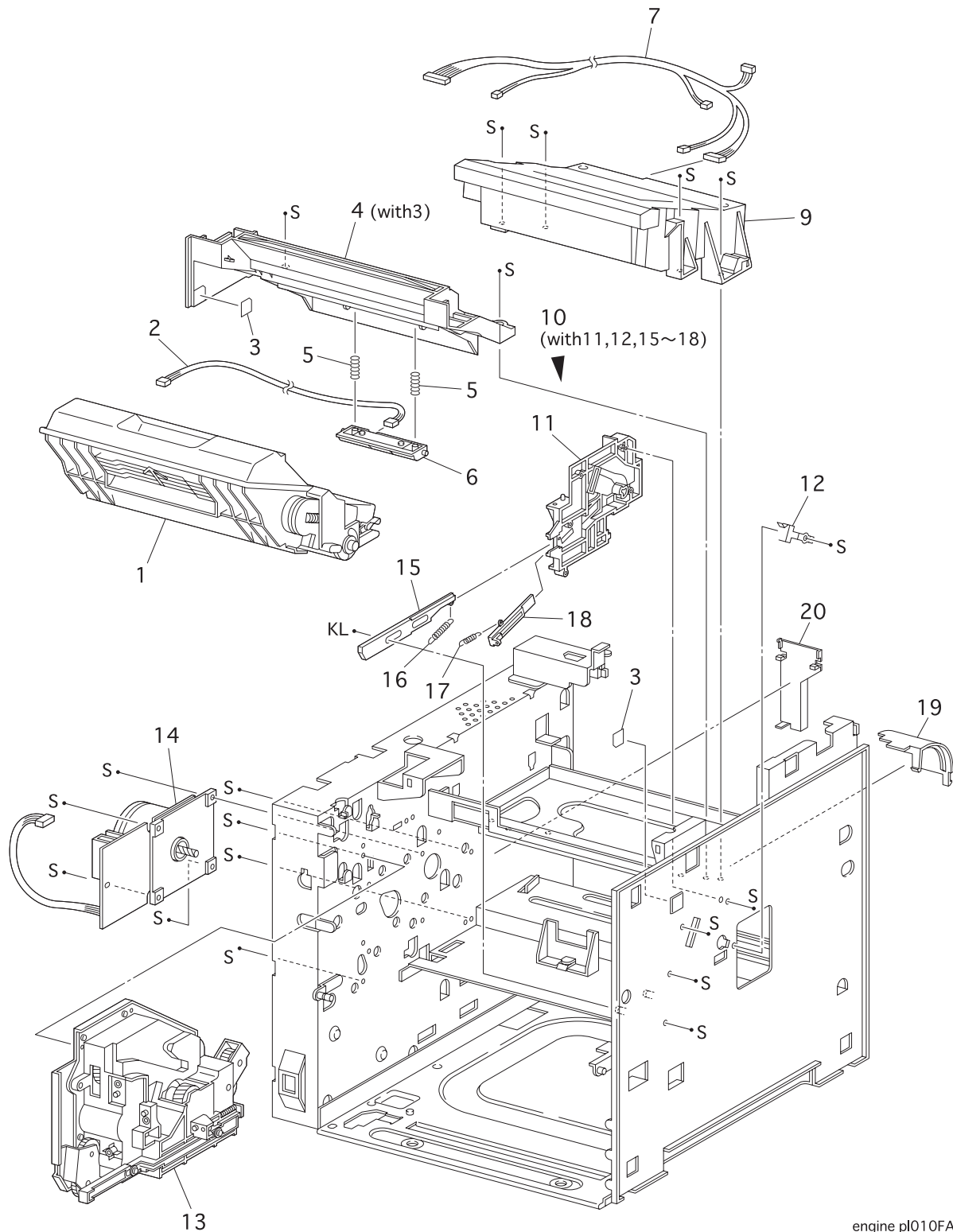


engine pl009FA

PL7.1 Exit

ITEM	PART NUMBER	PART NAME
1	50227101	ELIMINATOR ASSY EXIT
2	53352501	ACTUATOR FULL STACK
3	---	GATE EXIT
4	---	SPRING EXIT
5	---	GEAR EXIT-17
6	---	BEARING EXIT
7	50415101	ROLL ASSY MID-1
8	---	ROLL PINCH EXIT OUT
9	---	ROLL PINCH EXIT
10	---	SPRING PINCH EXIT
11	50415201	ROLL ASSY MID-2
12	---	ROLL PINCH
13	---	SPRING PINCH MID
14	---	SPRING PINCH
15	---	CHUTE EXIT
16	50415001	SENSOR PHOTO :EXIT
17	56736701	HARNES ASSY FS SNR (J31-J311)
18	---	COVER INTERLOCK
19	---	GEAR EXIT-23
20	---	GEAR EXIT-33
21	56517901	MOTOR ASSY EXIT
22	---	GEAR EXIT-17/47
23	---	GEAR EXIT-32
24	---	SPRING EARTH EXIT
25	---	BEARING MID
98	58262001	KIT BEARING (qty. 6 of item 6)
99	53352801	CHUTE EXIT ASSY (with 1~17, 19~24)

PL8.1 Drive & Xerographics

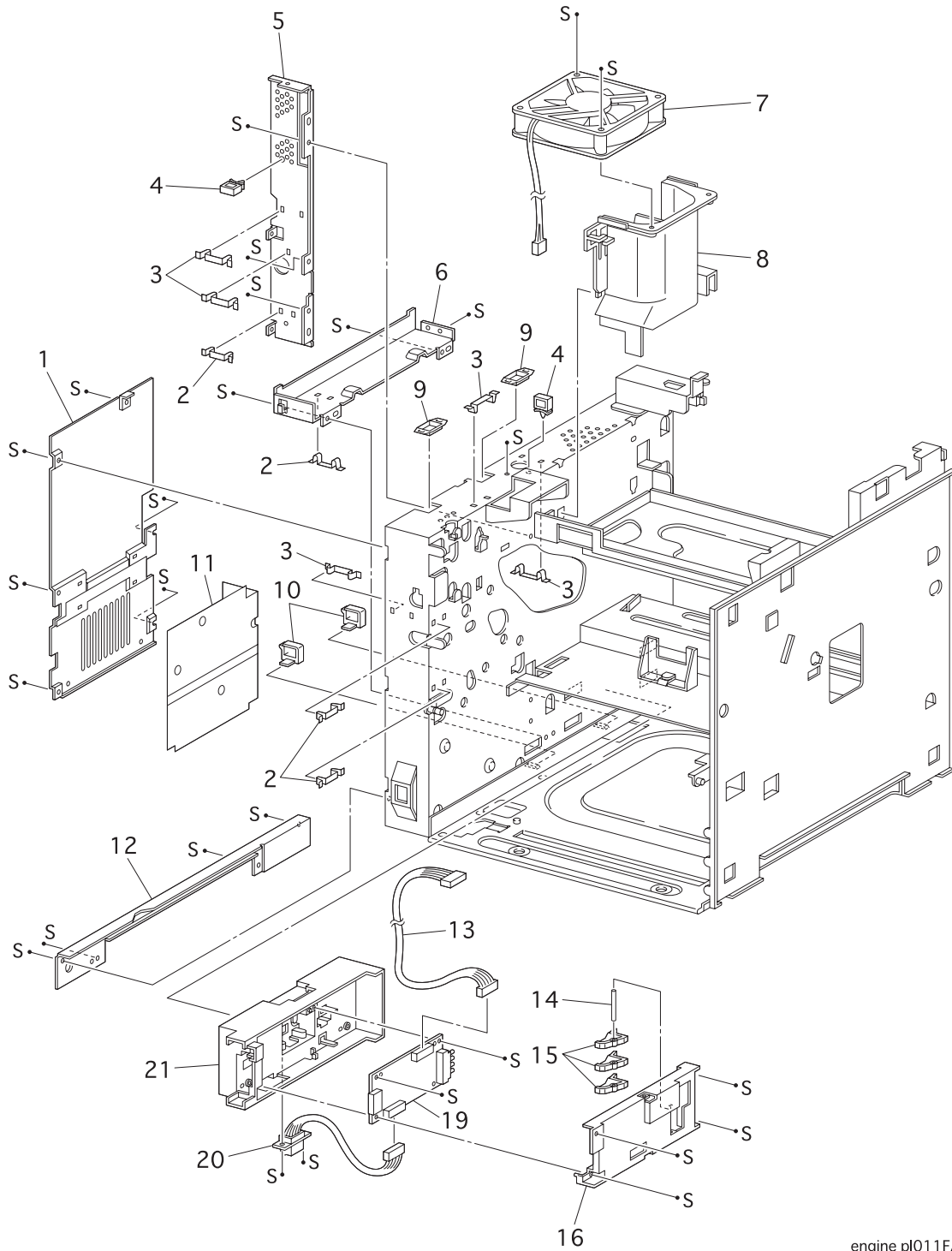


engine pl010FA

PL8.1 Drive & Xerographics

ITEM	PART NUMBER	PART NAME
1	---	CRU
2	---	HARNESS ASSY CRU SNS (J25-J251)
3	---	LABEL ARROW
4	50227001	CRU TOP GUIDE ASSY (with 3)
5	---	SPRING
6	---	SENSOR ASSY CRU
7	56735401	HARNESS ASSY ROS (J21,J22-J211,J212,J213,J223)
8	---	
9	50226201	ROS ASSY
10	---	CRU SIDE GUIDE ASSY-R (with 11,12,15~18)
11	---	CRU SIDE GUIDE
12	---	SPRING CLIP
13	51243701	GEAR ASSY DRIVE
14	56517501	MOTOR ASSY MAIN
15	---	ARM GUIDE A
16	---	SPRING GUIDE A
17	---	SPRING GUIDE B
18	---	ARM GUIDE B
19	---	DUCT ROS
20	---	DUCT FUSER
99	---	KIT SENSOR CRU

PL9.1 Frame & Size Sensor

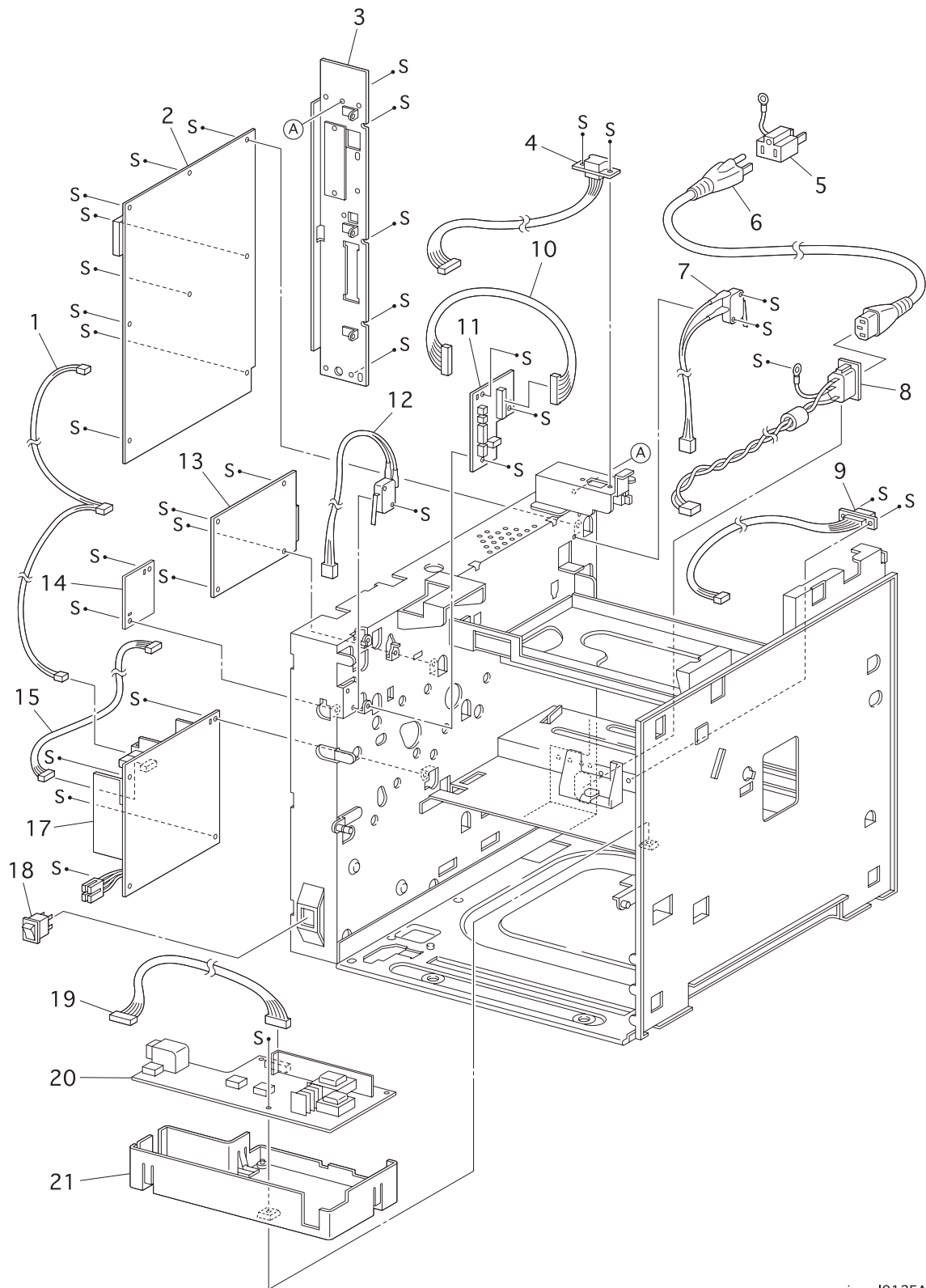


engine pl011FA

PL9.1 Frame & Size Sensor

ITEM	PART NUMBER	PART NAME
1	---	PLATE ASSY LEFT
2	---	CLAMP PRESS
3	---	CLAMP PRESS L
4	---	CLAMP I/F
5	---	ELEC BOX LOWER B
6	---	ELEC BOX LOWER A
7	56517701	FAN ASSY
8	---	DUCT FAN
9	---	EDGE SADDLE H
10	---	CLAMP AC
11	---	PLATE INSULATOR
12	---	PLATE HANDLE
13	56735501	HARNESS ASSY FEEDER (J33-J331)
14	---	SHAFT CAM
15	---	CAM SW
16	---	COVER SIZE SENSOR
17	---	
18	---	
19	55086001	PWBA SIZE 1
20	56735601	HARNESS ASSY SIZE M (J51-P511)
21	---	HOUSING SIZE SENSOR
22	---	
99	58262101	KIT SIZE SENSOR 1

PL10.1 Electrical



engine pl012FA

PL10.1 Electrical

ITEM	PART NUMBER	PART NAME
1	56735701	HARNESS ASSY ESS (J287-J282,J288)
2	---	PWB ESS
3	50130001	PANEL BACK ASSY
4	56735801	HARNESS ASSY OCT-M (J35-P202)
5	---	ADAPTER
6	---	POWER CORD
7	56214001	SWITCH ASSY I/L REAR
8	---	WIRE ASSY AC (J285)
9	56735901	HARNESS ASSY DUP-M (J34-P341)
10	56736001	HARNESS ASSY CONN (J23-J231)
11	55086101	PWBA CONN
12	56214101	SWITCH ASSY I/L FRONT
13	55086201	PWBA HKBMCU
14	55086301	PWBA HKB 5VDC
15	56736101	HARNESS ASSY LVPS (J28-J281)
16	---	
17	55086401	PWBA HKB LVPS-120
	55086501	PWBA HKB LVPS-230
18	56214201	MAIN SWITCH
19	56736201	HARNESS ASSY HVPS (J26-J261)
20	55086601	PWBA HVPS
21	---	HOUSING HVPS

Parts List