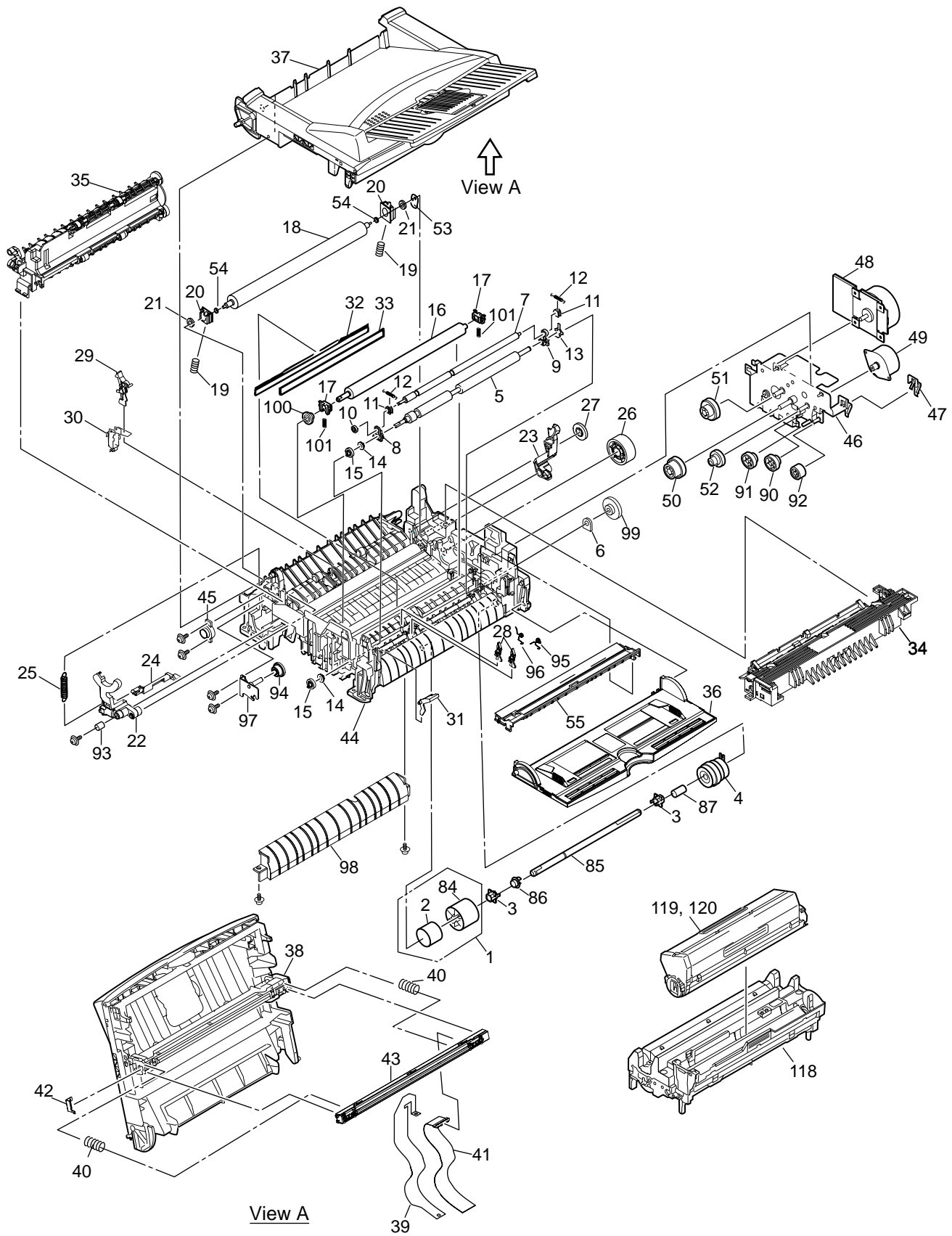


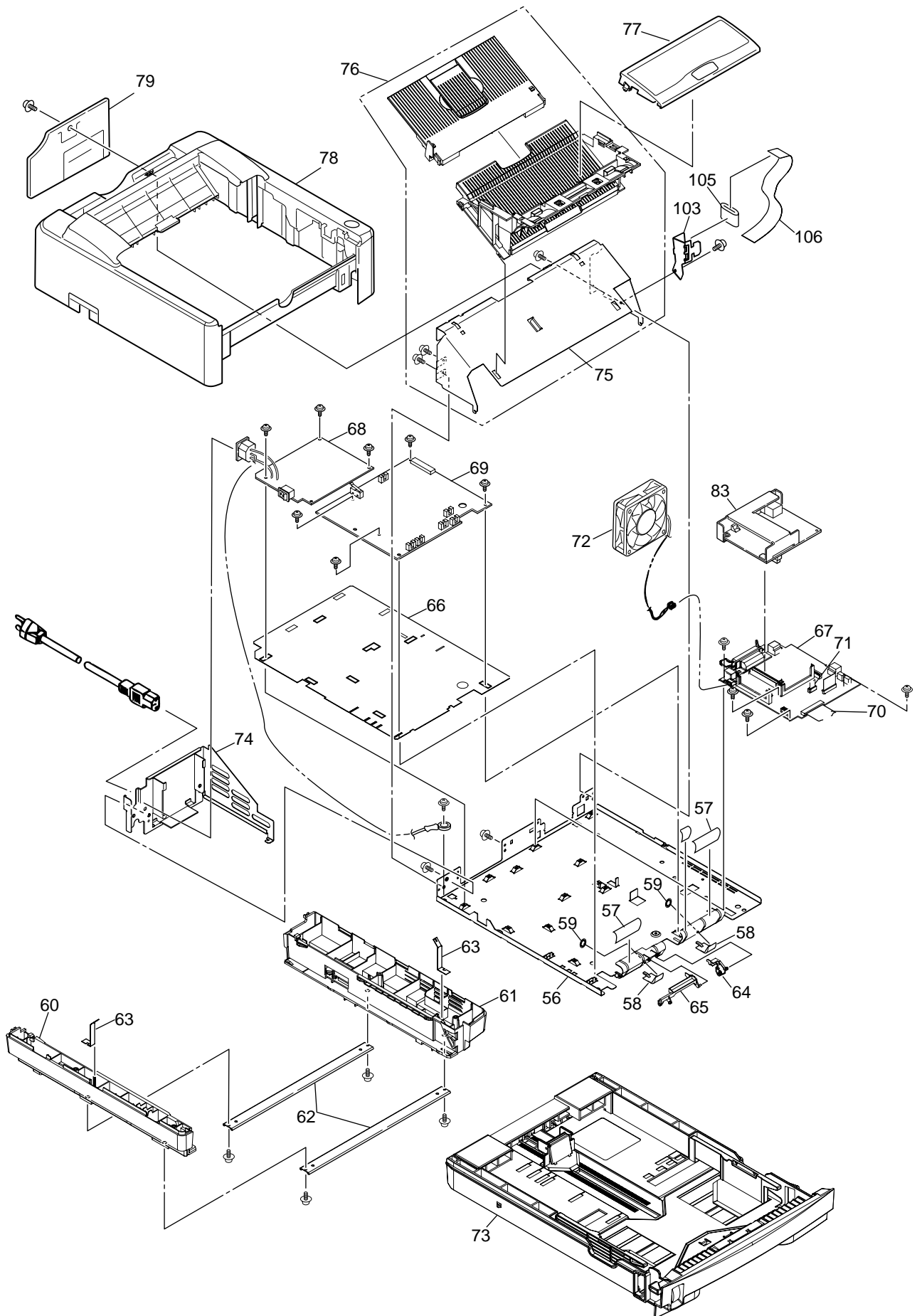
B4500/B4550/B4600

Spare Parts

Illustration Manual

080403C





No.	Parts No.	Name	Q'ty /Unit	Remarks
1	43653501	Roller Assy.-HOP	1	
2	43238401	Roller-Hopping	1	
3	43329501	Bearing-Hopping	2	
4	43400201	Gear-Assy.-Clutch	1	
5	42174301	Roller-Regist	1	
6		Bearing(Registration)	1	
7	43400501	Roller-Pressure	1	
8	41279501	Holder-Regist L	1	
9	41279601	Holder-Regist R	1	
10	41279801	Gear-Pressure	1	
11	41279401	Bearing-Pressure	2	
12	41281201	Spring-Tension	2	
13	41280401	Plate-Contact PA	1	
14	41279301	Bearing-Regist L	1	
15	41279701	Gear-Regist	1	
16	43468301	Roller-Transfer	1	
17	43330101	Bearing TR	2	
18	43468201	Roller-Back up	1	
19	41584101	Spring Bias	2	
20	43448601	Holder-BU	2	
21	41584201	Bearing-Ball	2	
22	43614001	Lever-Reset L Assy.	1	
23		Reset Lever R	1	
24	42551201	Arm-Switch	1	
25		Reset Spring	1	
26	43329001	Gear-HT	1	
27		Idle Gear	1	
28		Sensor Plate(Inlet)	2	
29	43407501	Sensor Assy.-Lever Eject	1	
30	41027701	Sensor Wire Assembly	1	
31	42468801	Toner Sensor(Adhesion)	1	
32		Diselectrification Bar Shaft	1	
33		Diselectrification Film	1	
34-a	43435701	Heat Assy	1	110V/120V
34-b	43435702	Heat Assy	1	230V
35	40772503	Roller Assy.-Eject	1	
36	42145708	Cover Assy.-Front	1	Beige
	42145709	Cover Assy.-Front	1	Black
37	43521501	Cover Assy.-Stacker (B4600/B4550)	1	Beige
	43521502	Cover Assy.-Stacker (B4600)	1	Black
	43521701	Cover Assy.-Stacker (B4500)		
38	43330801	Holder-Head	1	Beige
	43330802	Holder-Head	1	Black
39	43401501	Film-FG	1	
40	43467601	Spring-Head	2	
41		FLEXIBLE-CABLE(24P)	1	
42	43330901	Contact-Head	1	
43	43406901	LED Head Unit-51STB	1	
44	43435301	Frame Subassy.-Lower	1	
45	42596601	Damper Oil	1	
46	43328701	Bracket-Motor(Caulking)	1	
47	43329401	Plate-FG_HP	1	
48	43400001	Motor-DC_Main	1	
49	43400101	Motor-Pulse(Regist)	1	

No.	Parts No.	Name	Q'ty /Unit	Remarks
50	43328901	Gear-M3	1	
51	43328801	Gear-M2	1	
52	43329101	Gear-R2	1	
53		Washer C	1	
54	43448701	Collar	2	
55	43435601	Guide-Paper R(Adhesive)	1	
56	43434801	Plate-Base Assy.	1	
57		Polyethylene Tape	2	L=90mm
58	40828301	Guide-Paper H	2	
59		CS-RING(CS3-SUS)	2	
60	43517901	Cassette guide L Assy.	1	Beige
	43517902	Cassette guide L Assy.	1	Black
61	43435101	Cassette guide R Assy.	1	Beige
	43435102	Cassette guide R Assy.	1	Black
62		Beam Plate	2	
63	43330501	FG Plate(bm)	2	
64		Sensor Plate(Paper Supply)	1	
65		Cassette Sensor Plate	1	
66	43401701	Insulator	1	
67	43442829	Board GSA -(B4600)	1	
	43442835	Board GSA -3 (B4500)		
	43442834	Board GSA -3 (B4550)		
68-a	43112901	Power Supply Unit	1	100V/110V/120V
68-b	43113101	Power Supply Unit	1	230V
69	43348501	Board-HLC	1	
70		FLEXIBLE-CABLE(30P)	1	
71	43275301	Cord Assy.(13p-5P,8p)	1	
72	43400301	Fan Motor	1	
73	42209608	Cassette Assy.-Paper	1	Beige
	42209612	Cassette Assy.-Paper	1	Black
74	42146201	Plate-Guide	1	
75	42146901	Plate-Shield	1	
76	42146803	Face Up Stacker Assy.	1	Beige
	42146804	Face Up Stacker Assy.	1	Black
77	43521001	Frame Assy.-OP Panel - B4600	1	Beige
	43521004	Frame Assy.-OP Panel - B4600	1	Black
	43521008	Frame Assy.-OP Panel - B4550		
	43521005	Frame Assy.-OP Panel - B4500		
78	43520901	Cover-Upper Assy.	1	Beige
	43520902	Cover-Upper Assy.	1	Black
79	42129605	Cover-IF	1	Beige
	42129606	Cover-IF	1	Black
80				
81				
82				
83	70042701	RS232C		Optional serial Board
	70053001	OkilAN 8150e	1	Optional NIC
84	43329301	Boss-Hopping	1	
85	43400601	Shaft-Hopping	1	
86	43399601	Stopper-Hopping	1	
87	43329901	Collar-Hopping	1	
88				
89				
90	43329601	Gear-HP1	1	

No.	Parts No.	Name	Qty /Unit	Remarks
91	43329801	Gear-HP2	1	
92	43329701	Gear-HP3	1	
93	43598801	Collar-Reset-Lever	1	
94		Damper-Gear	1	
95	42797101	Spring-Sensor_In	1	
96	41415801	Spring-Write-Sensor	1	
97	42679901	Plate-Damper(Caulking)	1	
98	42661401	Guide-Paper	1	
99	42657701	Gear-Reg(One-way)	1	
100	43330001	Gear-TR	1	
101	43401401	Spring-TR	2	
102				
103	42849201	Film-Support(OP)	1	
104				
105		Core	1	
106		FLEXIBLE-CABLE(14P)	1	

#1 Rubber-Hopping Roller (43456901) can be used for the same part as a current roller (No.2-a 43238401).
Note) Durability does not satisfy the machine life. (As a standard, about 70,000 sheets with standard paper.)