

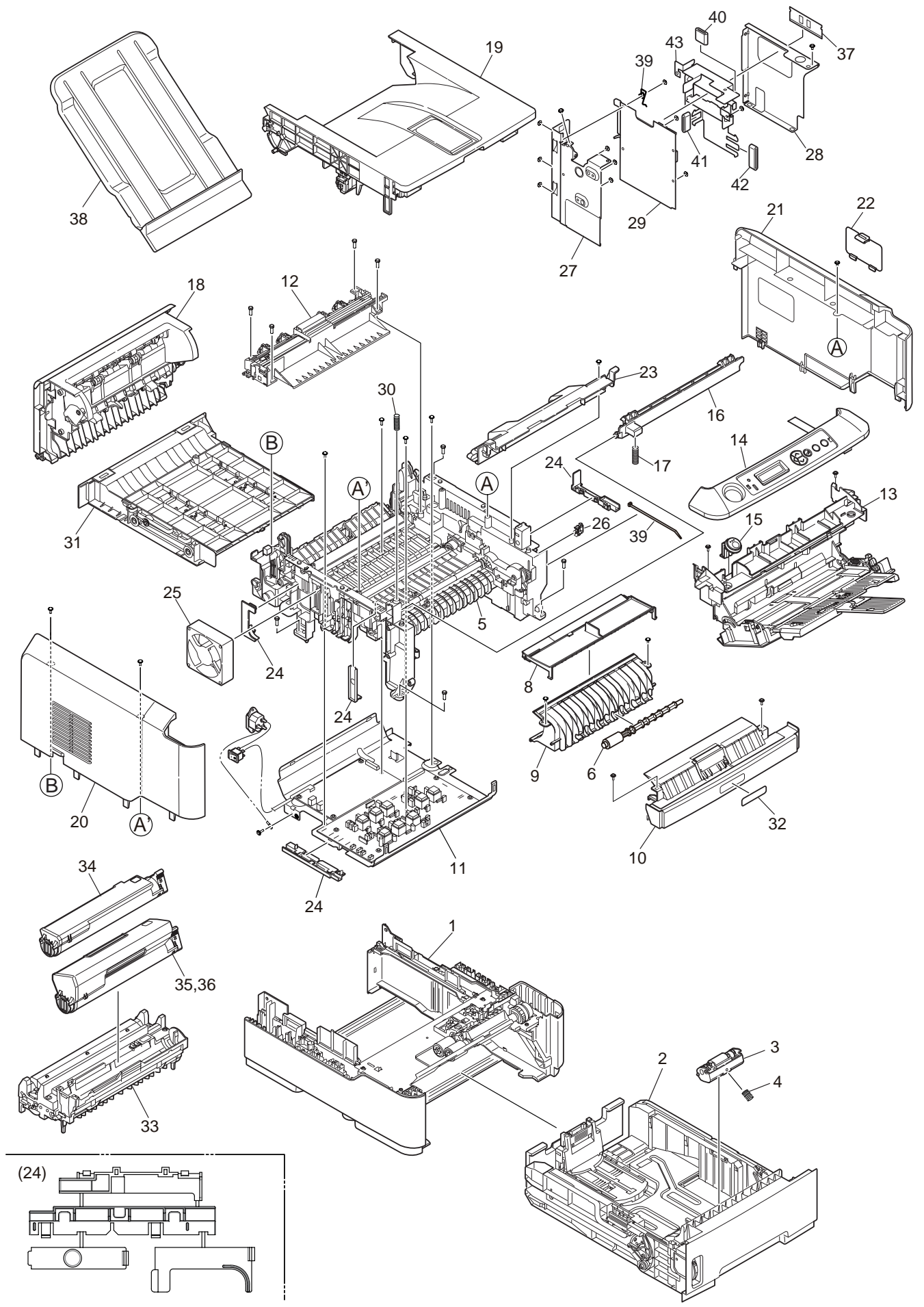
B420

Spare Parts

Illustration Manual

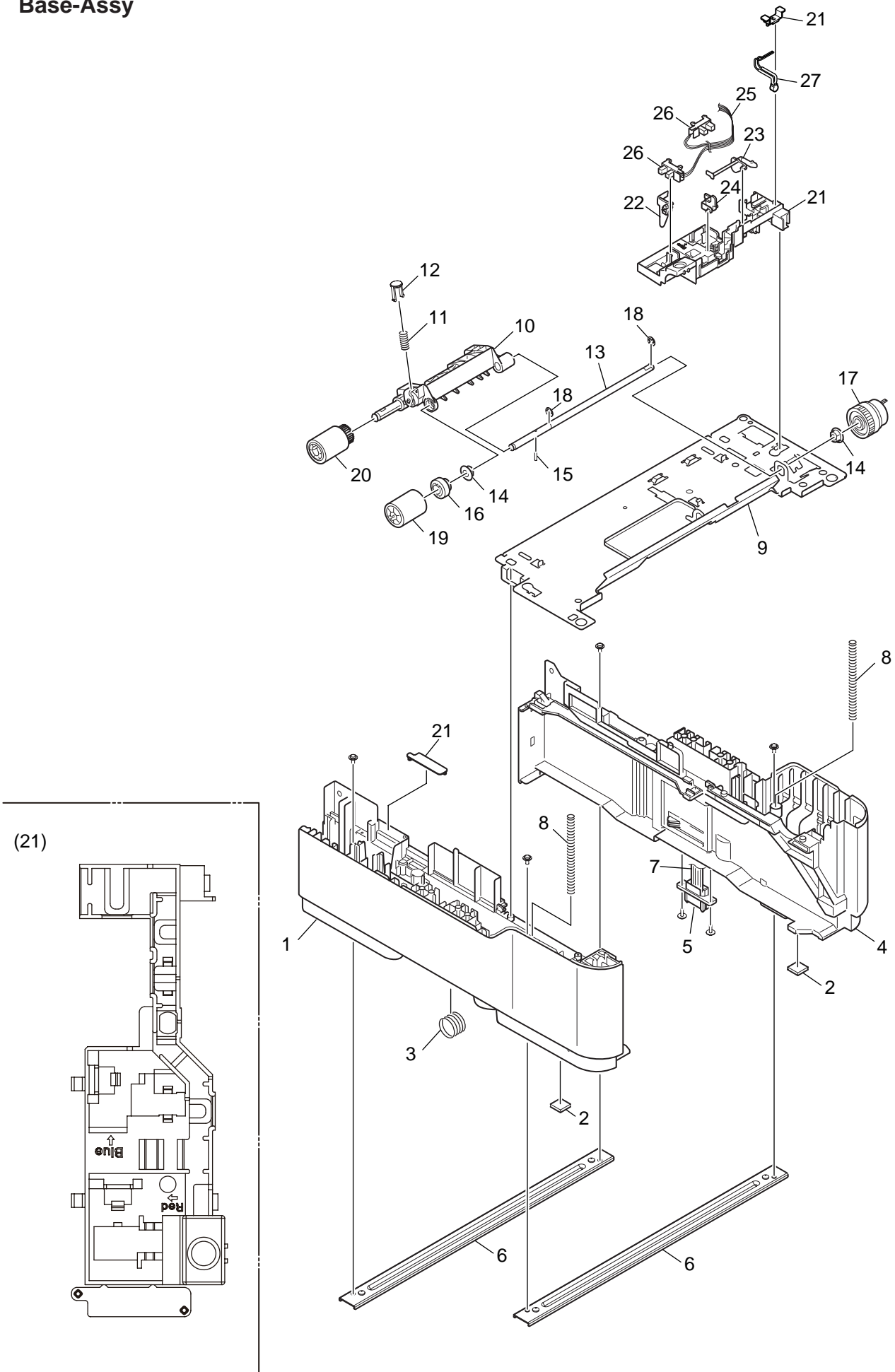
051710B

Printer Unit



No.	Part No.	Part Name	Q'ty /Unit	Recommended Q'ty/Year			Remarks
				per 500	per 1000	per 2000	
1-a		Cover-Stacker	1	-	-	-	
1-b		Cover-Stacker	1	-	-	-	Black-Version
2	43991701	Paper Cassette Tray	1	-	-	-	
2-b	43991702	Paper Cassette Tray	1	-	-	-	Black-Version
3		Collar-Stacker	1	-	-	-	
4-a	43330801	Holder-Head	1	-	-	-	
4-b	43330802	Holder-Head	1	-	-	-	Black-Version
5		Film-FG	1	-	-	-	
6	43467601	Spring-Head	2	-	-	-	
7	43330901	Contact-Head	1	-	-	-	
8	43932001	LED Head Unit-61STB	1	1	2	4	
9		FFC cable	1	-	-	-	
9		F14D24X-450XXS1A	1	-	-	-	
10		Spring-ID_Lock	1	-	-	-	
11-a		Cover-HR	1	-	-	-	
11-b		Cover-HR	1	-	-	-	Black-Version

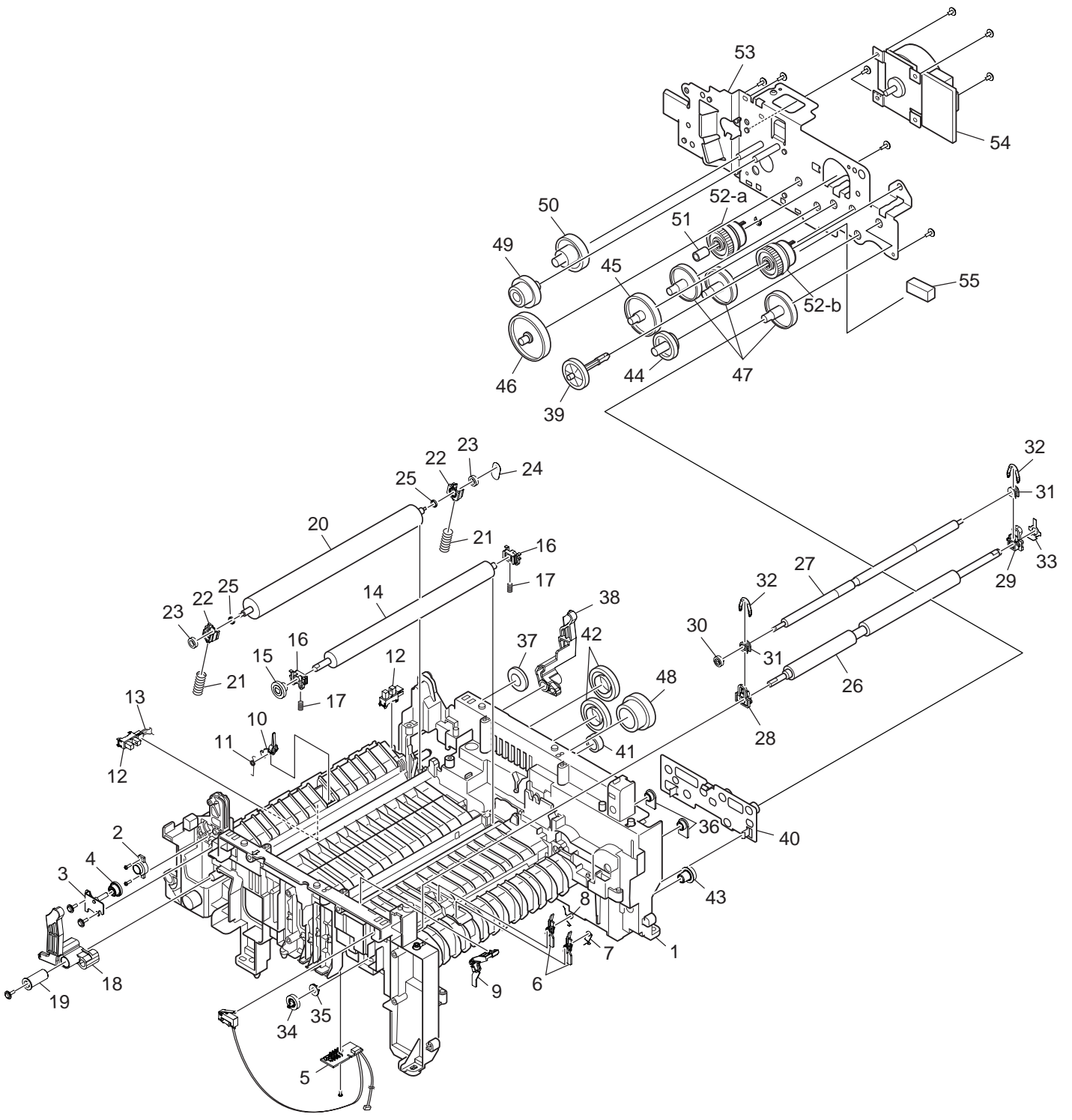
Base-Assy



No.	Part No.	Part Name	Q'ty /Unit	Recommended Q'ty/Year			Remarks
				per 500	per 1000	per 2000	
1-a		Guide-Cassette-L	1	-	-	-	
1-b		Guide-Cassette-L	1	-	-	-	Black Version
2		Rubber-Foot	2	-	-	-	
3		Spring-Lock-Cassette	1	-	-	-	
4-a		Guide-Cassette-R	1	-	-	-	
4-b		Guide-Cassette-R	1	-	-	-	Black Version
5		9715B-08Z02-G4C	1	1	2	4	
6		Plate-Beam	2	-	-	-	
7	43961301	CONN Cord-AMP8P-AMP8P	1	1	2	4	
8		Spring-Earth	2	-	-	-	
9		Plate-Base	1	-	-	-	
10		Frame-Pick Up-Assy.	1	-	-	-	
11		Spring-PickUp	1	-	-	-	
12	40367101	Bracket-Spring(Sub)	1	-	-	-	
13		Shaft-Hopping	1	-	-	-	
14		Bush	2	-	-	-	
15		KNOCK PIN	1	-	-	-	
16		Gear-Feed	1	-	-	-	
17	43905401	Gear-Assy-Clutch	1	1	2	4	
18		Ring	2	-	-	-	
19	43000601	Roller-Feed-NOW	1	1	2	4	
20	42699401	Roller-Pick-Up	1	1	2	4	
21		Holder-SNS	1	-	-	-	
22		Lever-End	1	-	-	-	
23		Lever-Cassette	1	-	-	-	
24		Lever-Duplex	1	-	-	-	
25	43961501	CONN Cord-AMP7-AMP3PX2	1	1	2	4	

No.	Part No.	Part Name	Q'ty /Unit	Recommended Q'ty/Year			Remarks
				per 500	per 1000	per 2000	
26	40135301	Photo-Interrupter	2	2	4	8	
27		Thermistor ASSY	1	-	-	-	

Frame-Lower-Assy

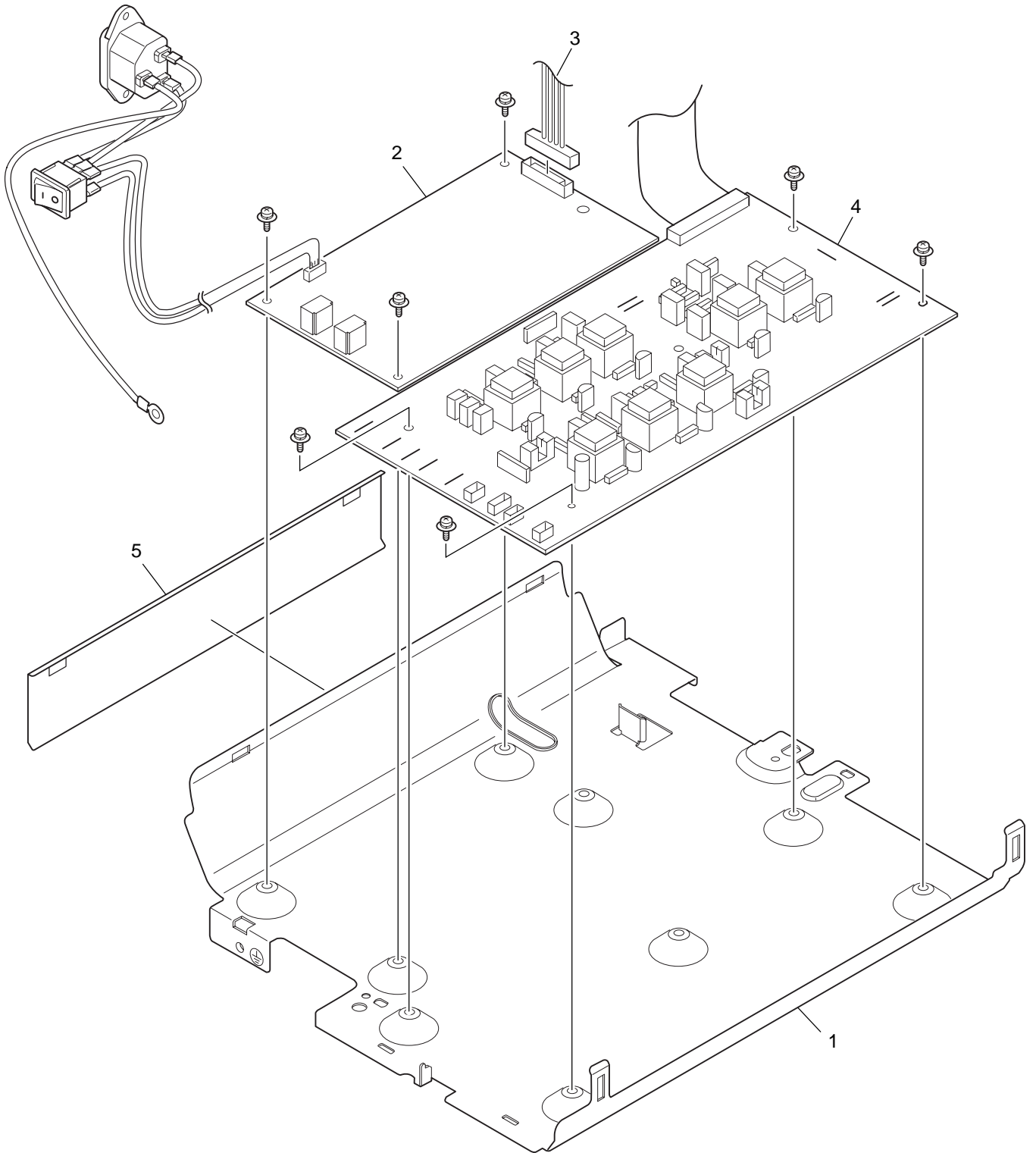


No.	Part No.	Part Name	Q'ty /Unit	Recommended Q'ty/Year			Remarks
				per 500	per 1000	per 2000	
1	43993401	Frame-SubAssy.-Lower	1	-	-	-	
2	42596601	Damper-Oil	1	-	-	-	
3		Plate-Damper(Culking)	1	-	-	-	
4		DAMPER GEAR	1	-	-	-	
5	43998001	Board-TT1	1	1	2	4	
6	43903301	Lever-In-Sensor	2	2	4	8	
7	42797101	Spring-Sensor_IN	1	1	2	4	
8	41415801	Spring-WriteSensor	1	1	2	4	
9	43993601	Sensor-Toner(Adhesive)	1	1	2	4	
10	43206401	Lever-Eject-Sensor	1	1	2	4	
11	40386501	Spring-SNS(F/R)	1	1	2	4	
12	40135301	Photo-Interrupter	2	-	-	-	
13	43961401	CONN Cord-AMP6P-AMP3PX2	1	1	2	4	
14	43979601	Roller-Transfer(282)	1	1	2	4	
15		Gear-TR-Z23	1	-	-	-	
16	43330101	Bearing-TR	2	2	4	8	
17	43401401	Spring-TR	2	-	-	-	
18	43903601	Lever-Reset-L	1	-	-	-	
19	43598801	Collar-Reset-Lever	1	-	-	-	
20	44009501	OR-Roller-Back up	1	1	2	4	
21	41584101	Spring-Bias	2	-	-	-	
22	43448601	Holder-BU	2	2	4	8	
23	41584201	Bearing-Ball	2	2	4	8	
24		WASHER C	1	1	2	4	
25	43448701	Collar	2	2	4	8	
25	43448702	Collar	2	2	4	8	
26	43903701	Roller-Registration	1	1	2	4	

No.	Part No.	Part Name	Q'ty /Unit	Recommended Q'ty/Year			Remarks
				per 500	per 1000	per 2000	
27		Roller-Pressure	1	-	-	-	
28	41279501	Holder-Regist L	1	-	-	-	
29	41279601	Holder-Regist R	1	-	-	-	
30	41279801	Gear-Pressure	1	-	-	-	
31	41279401	Bearing-Pressure	2	2	4	8	
32		Spring-Tension	2	-	-	-	
33	41280401	Plate-Contact PA	1	-	-	-	
34	41279701	Gear-Regist	1	-	-	-	
35	41279301	Bearing-Regist L	1	1	2	4	
36		BEARING R	2	2	4	8	
37		IDLE GEAR C	1	-	-	-	
38	43904001	Lever-Reset-R	1	-	-	-	
39		Gear-Idle-Z36	1	-	-	-	
40		Holder-Gear-Idle	1	-	-	-	
41		Gear-Idle-Z14	1	-	-	-	
42		Gear-Idle-Z33	2	-	-	-	
43		Gear-Feed-Z15	1	-	-	-	
44		Gear-Idle-Hop-Z22-33	1	-	-	-	
45		Gear-Idle-Reg-Z20-51	1	-	-	-	
46		Gear-Idle-Reg-Z30-76	1	-	-	-	
47		Gear-Idle-Z45	3	-	-	-	
48		Gear-Idle-Heat-Z27-55	1	-	-	-	
49		Gear-Idle-Drum-Z24-48	1	-	-	-	
50		Gear-Idle-Drum-Z27-82	1	-	-	-	
51		Spacer-Clutch	1	-	-	-	
52-a	43905402	Gear-Assy-Clutch	1	1	2	4	Cable color;Blue
52-b	43905403	Gear-Assy-Clutch	1	1	2	4	Cable color;Yellow

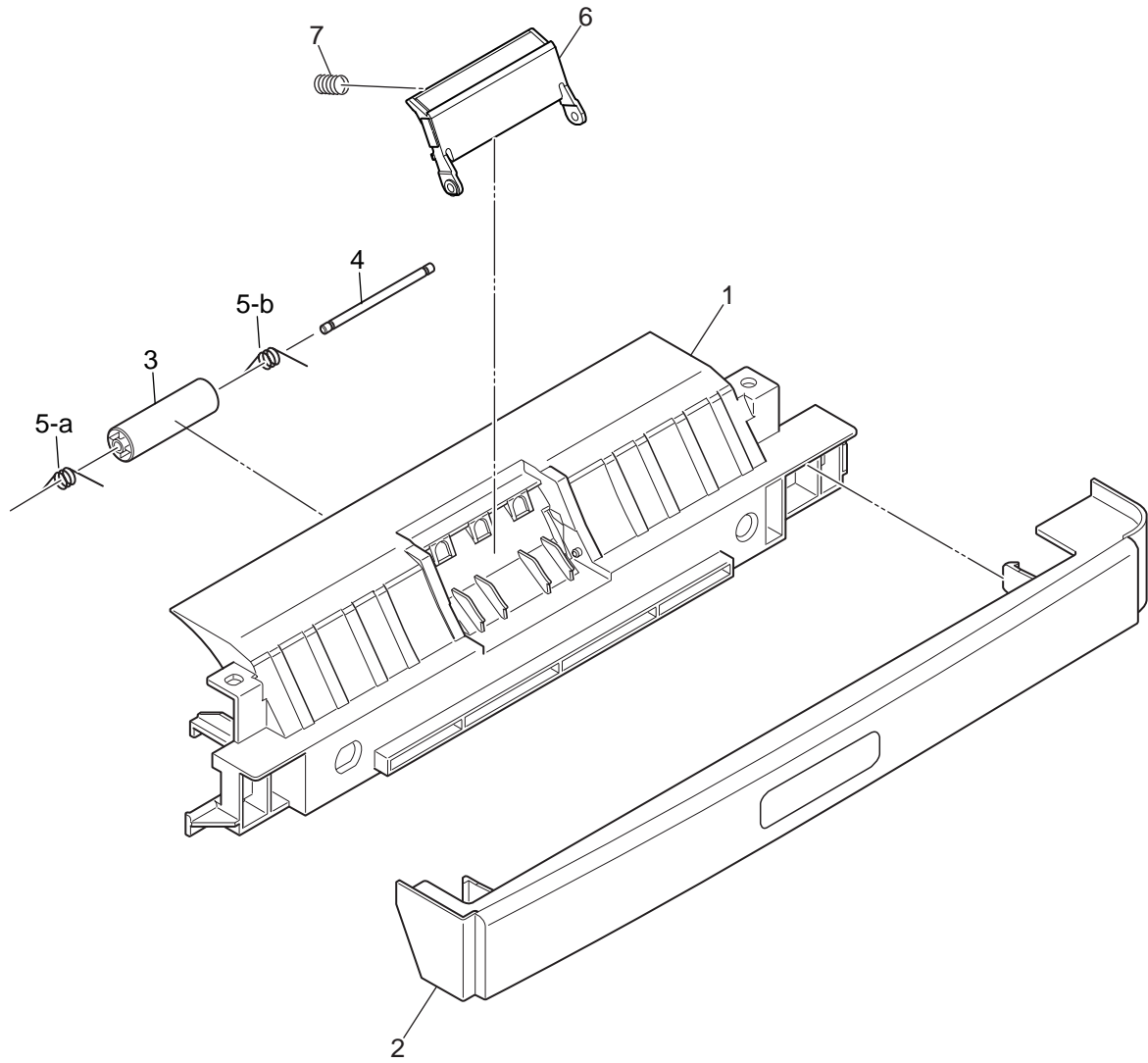
No.	Part No.	Part Name	Q'ty /Unit	Recommended Q'ty/Year			Remarks
				per 500	per 1000	per 2000	
53		Plate-Bracket-Motor(Caulking)	1	-	-	-	
54	43906601	Motor-DC-Main	1	1	2	4	
55	44120401	SOFT GASKET NLCG	1	1	2	4	

PCB-Assy



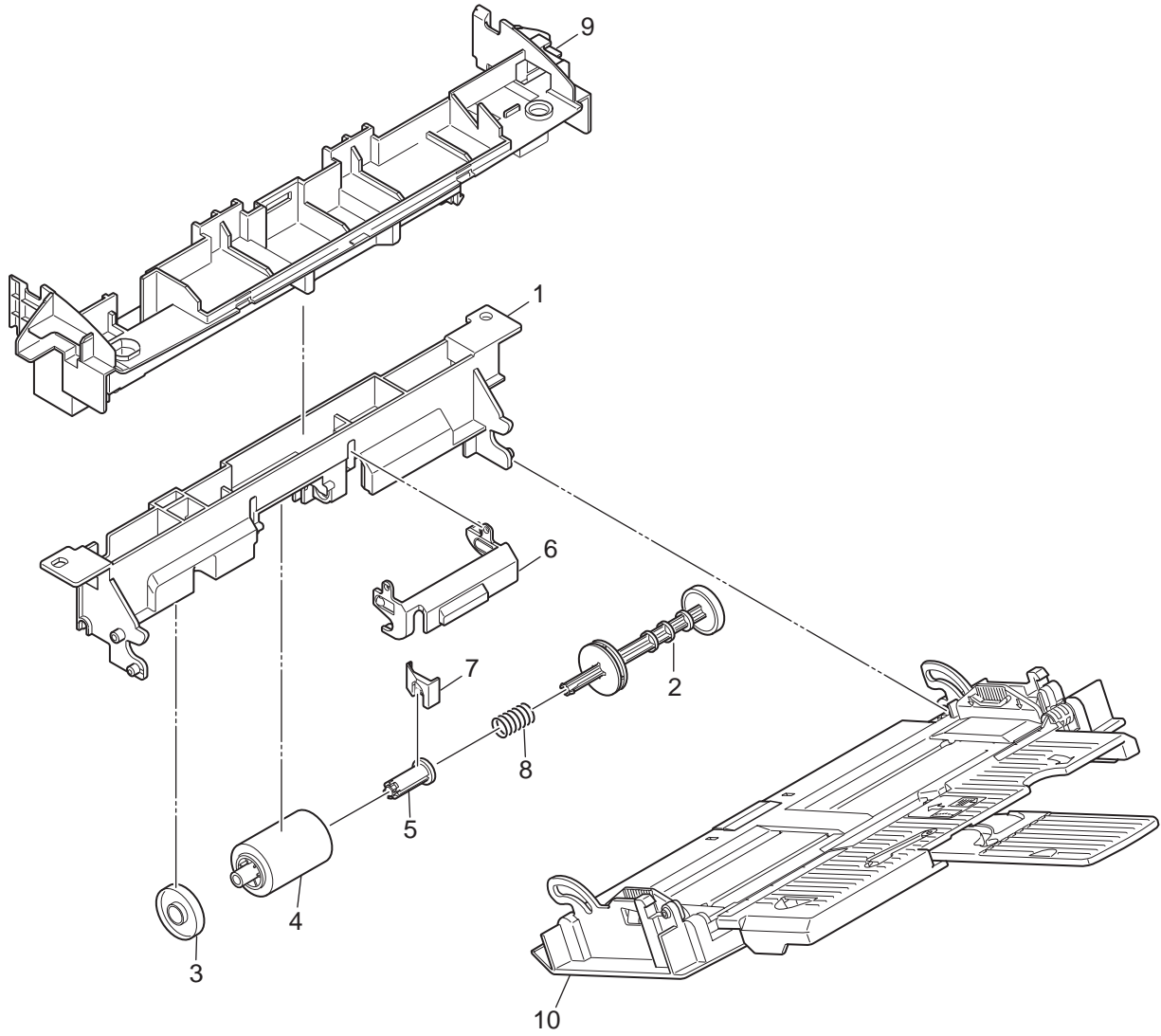
No.	Part No.	Part Name	Q'ty /Unit	Recommended Q'ty/Year			Remarks
				per 500	per 1000	per 2000	
1		Plate-Base-P.C.B	1	-	-	-	
2	43932701	PWR unit-ACDC Switch	1	1	2	4	Low voltage power supply board
3	43957601	JST8P-JST8P CONN Cord-Wire	1	1	2	4	
4	43963701	PCB Assy. -87H	1	1	2	4	High voltage power supply board
5	44121001	Film-Guide-Dup	1	1	2	4	

Front-Guide-Assy



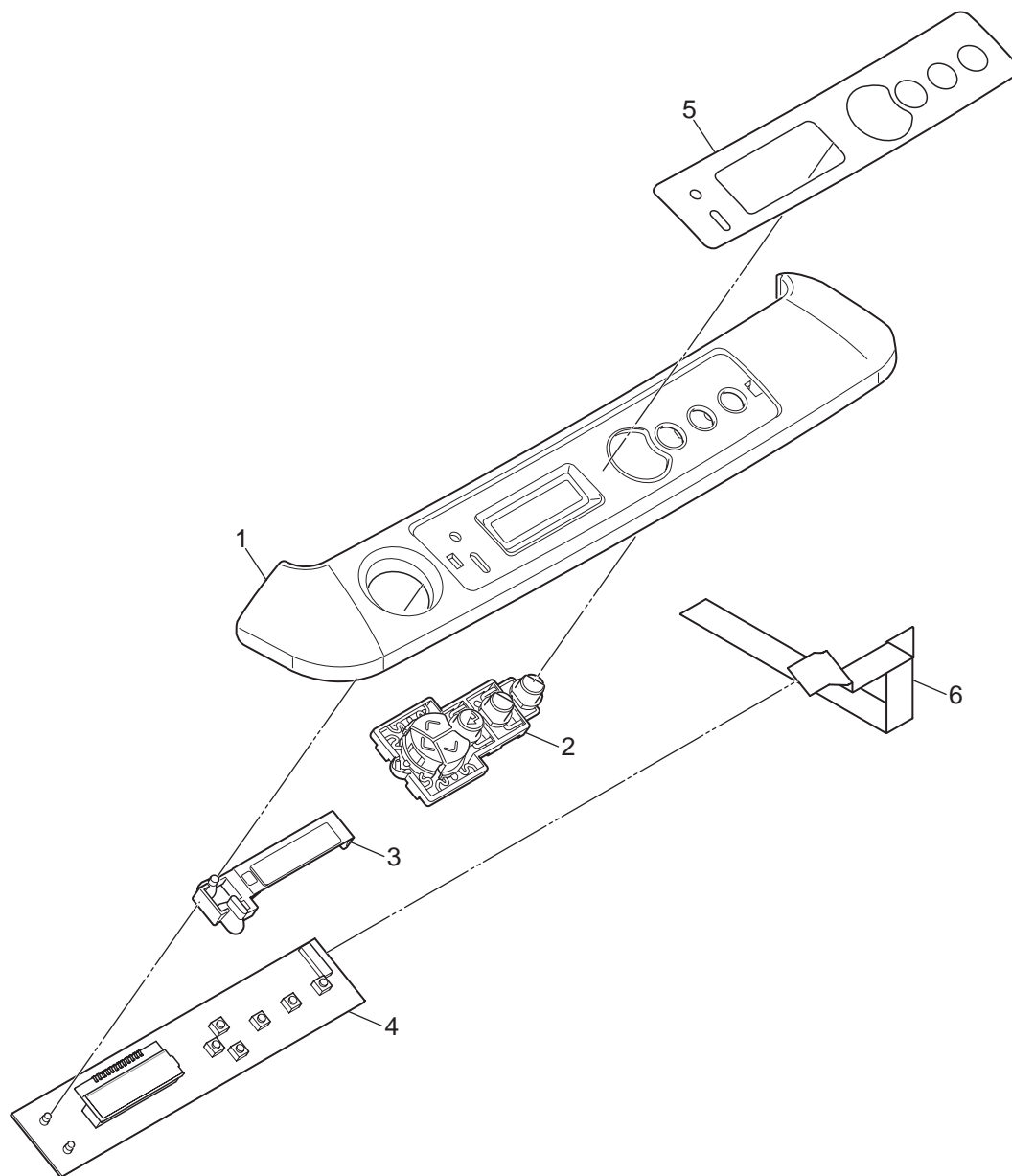
No.	Part No.	Part Name	Q'ty /Unit	Recommended Q'ty/Year			Remarks
				per 500	per 1000	per 2000	
1-a		Guide-Paper-Front	1	-	-	-	
1-b		Guide-Paper-Front	1	-	-	-	Black-Version
2-a		Cover-Front-Sub	1	-	-	-	
2-b		Cover-Front-Sub	1	-	-	-	Black-Version
3	43222001	Roller-BIAS-FU	3	-	-	-	
3	43355101	Roller-Pinch	1	-	-	-	
4		Holder-Roller-Feed	3	-	-	-	
4		Shaft-Idle-Dup	1	-	-	-	
5		Spring-Roller-Feed	3	-	-	-	
5		Spring-Torsion-Pinch	1	-	-	-	
6-a	43418001	Frame-Assy.-Separator	1	1	2	4	
6-b	43418002	Frame-Assy.-Separator(Black)	1	1	2	4	Black-Version
7	42069901	Spring-Separator	1	1	2	4	

MPT-Assy



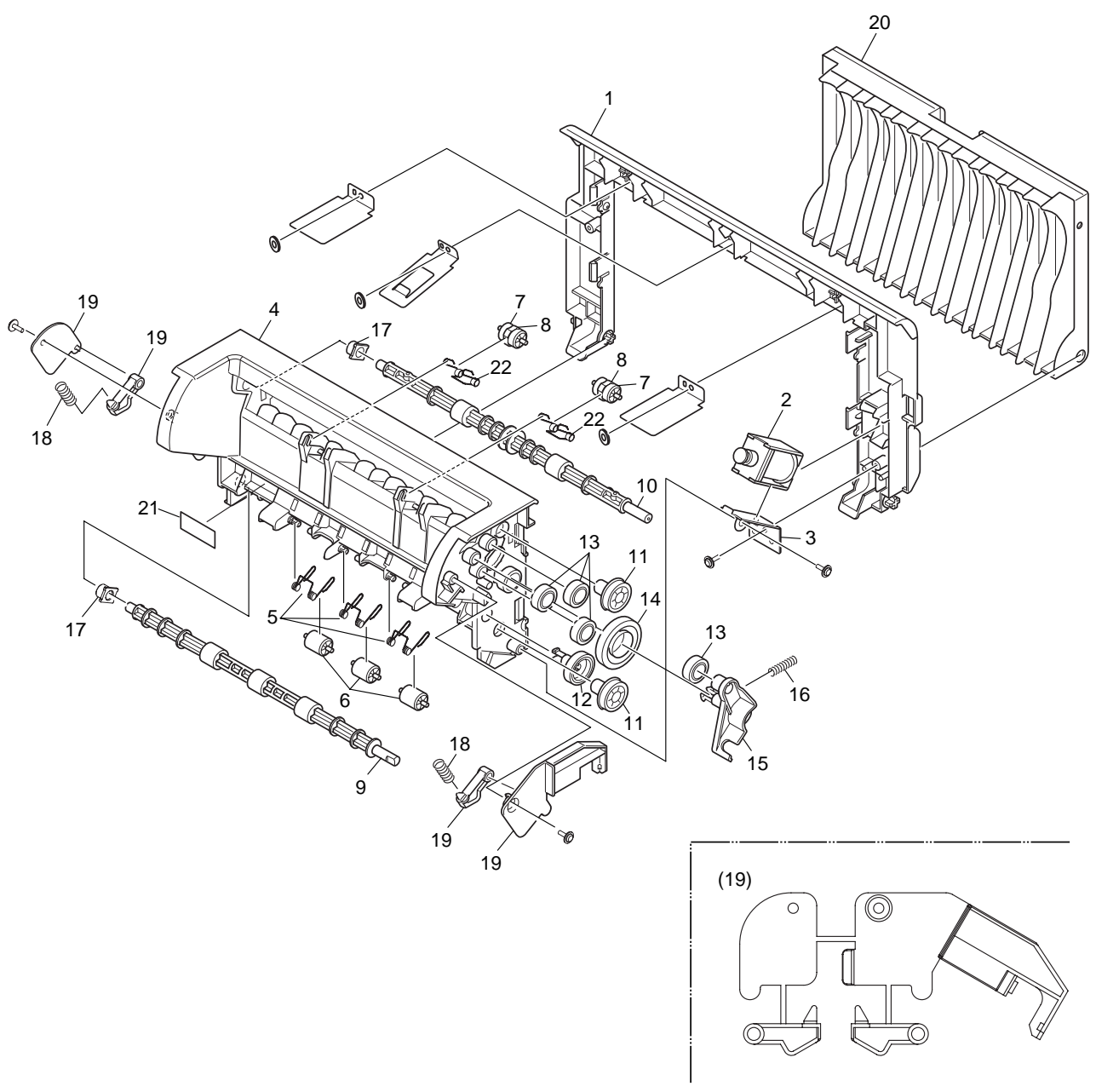
No.	Part No.	Part Name	Q'ty /Unit	Recommended Q'ty/Year			Remarks
				per 500	per 1000	per 2000	
1-a		Frame-MPT	1	-	-	-	
1-b		Frame-MPT	1	-	-	-	Black-Version
2		Shaft-MPT-Z28	1	-	-	-	
3	42299701	Roller-Guide	1	-	-	-	
4	43922301	Roller-Assy-MPT	1	1	2	4	
5		Coupling-MPT	1	-	-	-	
6-a	43958001	Cover-Guide	1	-	-	-	
6-b		Cover-Guide	1	-	-	-	Black-Version
7		Plate-Slide	1	-	-	-	
8	43922901	Spring-Y	1	-	-	-	
9-a		Frame-OPE	1	-	-	-	
9-b		Frame-OPE	1	-	-	-	Black-Version
10-a		Cover-Assy.-MPT	1	-	-	-	
10-b		Cover-Assy.-MPT(Black)	1	-	-	-	Black-Version

OPE-Cover-Assy



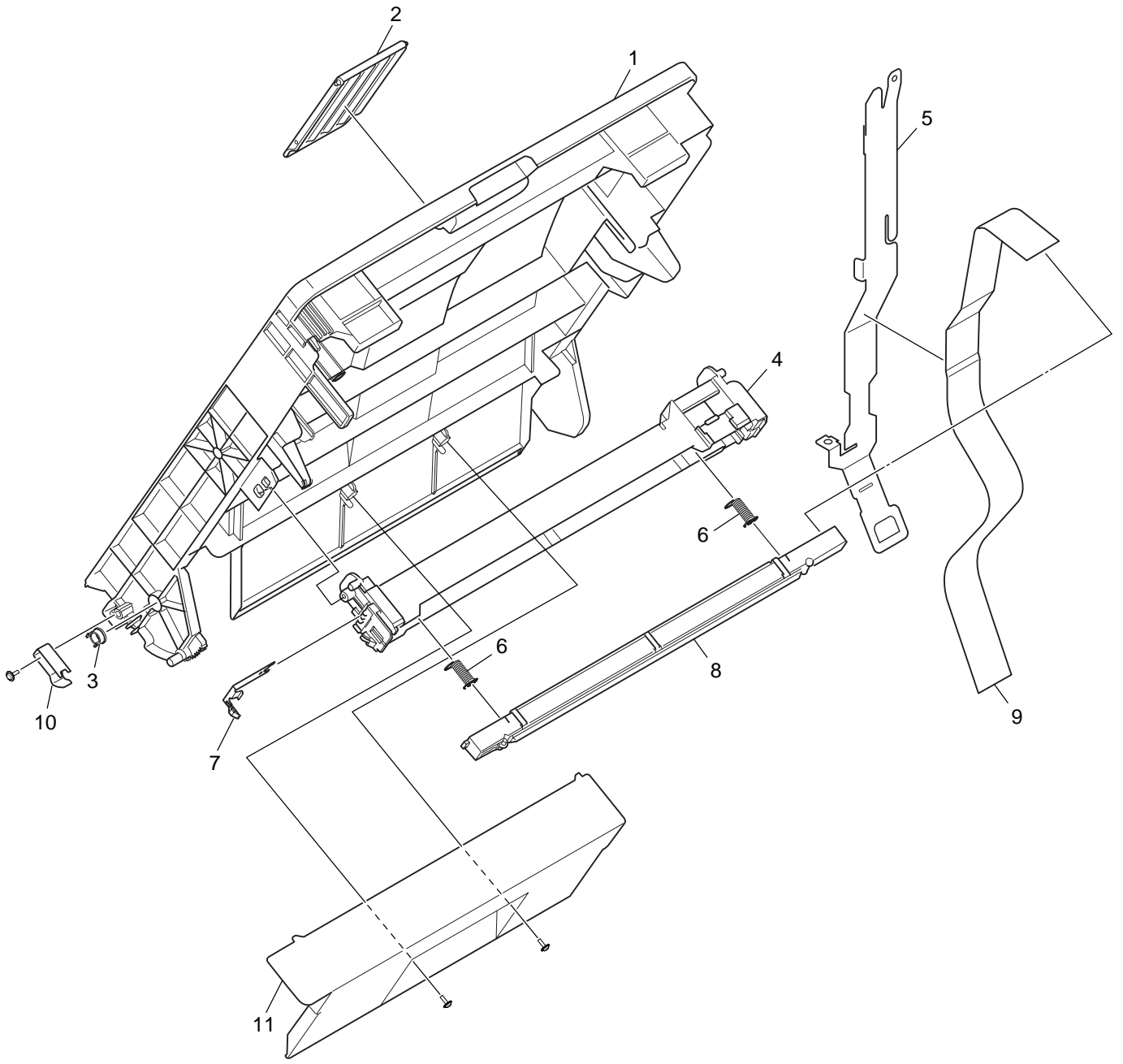
No.	Part No.	Part Name	Q'ty /Unit	Recommended Q'ty/Year			Remarks
				per 500	per 1000	per 2000	
1-a		Cover-OPE	1	-	-	-	
1-b		Cover-OPE	1	-	-	-	Black-Version
2-a		Button-KEY	1	-	-	-	
2-b		Button-KEY	1	-	-	-	Black-Version
3		Lens-LCD	1	-	-	-	
4		Board-87P	1	-	-	-	OPE board(ODA/JAPAN)
5-a		Film-OPE	1	-	-	-	
5-b		Film-OPE	1	-	-	-	Black-Version
6		FFC cable	1	-	-	-	
6		F14D15X-450XXS1A	1	-	-	-	

Rear-Cover-Assy



No.	Part No.	Part Name	Q'ty /Unit	Recommended Q'ty/Year			Remarks
				per 500	per 1000	per 2000	
2	43988401	Solenoid	1	1	2	4	
3		Plate-Solenoid	1	-	-	-	
4-a		Guide-Eject	1	-	-	-	
4-b		Guide-Eject	1	-	-	-	Black-Version
5		Spring-TFD	3	-	-	-	Rev4(Q'ty/Unit 5→3)
6	43222001	Roller-BIAS-FU	3	-	-	-	
7	43222101	Roller-BIAS-FD	2	-	-	-	
8	43649701	Sponge-Roller-FD	1	-	-	-	
8	43207601	Sponge-Roller-FD	2	-	-	-	
9	43995301	Roller-Assy.-Eject(FU)	1	1	2	4	
10	43995401	Roller-Assy.-Eject(FD)	1	1	2	4	
11		Gear-Roller-Eject(Z18)	2	-	-	-	
12		Gear-Idle-Z20	1	-	-	-	
13		Gear-Idle-Z14	4	-	-	-	
14		Gear-Idle-Z33	1	-	-	-	
15		Holder-Planet-Gear	1	-	-	-	
16		Spring-Solenoid	1	-	-	-	
17	43222601	Bearing-Eject	2	-	-	-	
18		Spring-Lock-Rear	2	-	-	-	
19-a		Lever-Lock-Rear	1	-	-	-	
19-b		Lever-Lock-Rear	1	-	-	-	Black-Version
20-a		Cover-FaceUp-A	1	-	-	-	
20-b		Cover-FaceUp-A	1	-	-	-	Black-Version
21		Label-Caution-Heat	1	-	-	-	
22		Spring-Torsion-U	2	-	-	-	

Stacker-Cover-Assy



No.	Part No.	Part Name	Q'ty /Unit	Recommended Q'ty/Year			Remarks
				per 500	per 1000	per 2000	
1-a		Cover-Stacker	1	-	-	-	
1-b		Cover-Stacker	1	-	-	-	Black-Version
2-a		Cover-Stacker-Sub	1	-	-	-	
2-b		Cover-Stacker-Sub	1	-	-	-	Black-Version
3		Collar-Stacker	1	-	-	-	
4-a	43330801	Holder-Head	1	-	-	-	
4-b	43330802	Holder-Head	1	-	-	-	Black-Version
5		Film-FG	1	-	-	-	
6	43467601	Spring-Head	2	-	-	-	
7	43330901	Contact-Head	1	-	-	-	
8	43932001	LED Head Unit-61STB	1	1	2	4	
9		FFC cable	1	-	-	-	
9		F14D24X-450XXS1A	1	-	-	-	
10		Spring-ID_Lock	1	-	-	-	
11-a		Cover-HR	1	-	-	-	
11-b		Cover-HR	1	-	-	-	Black-Version