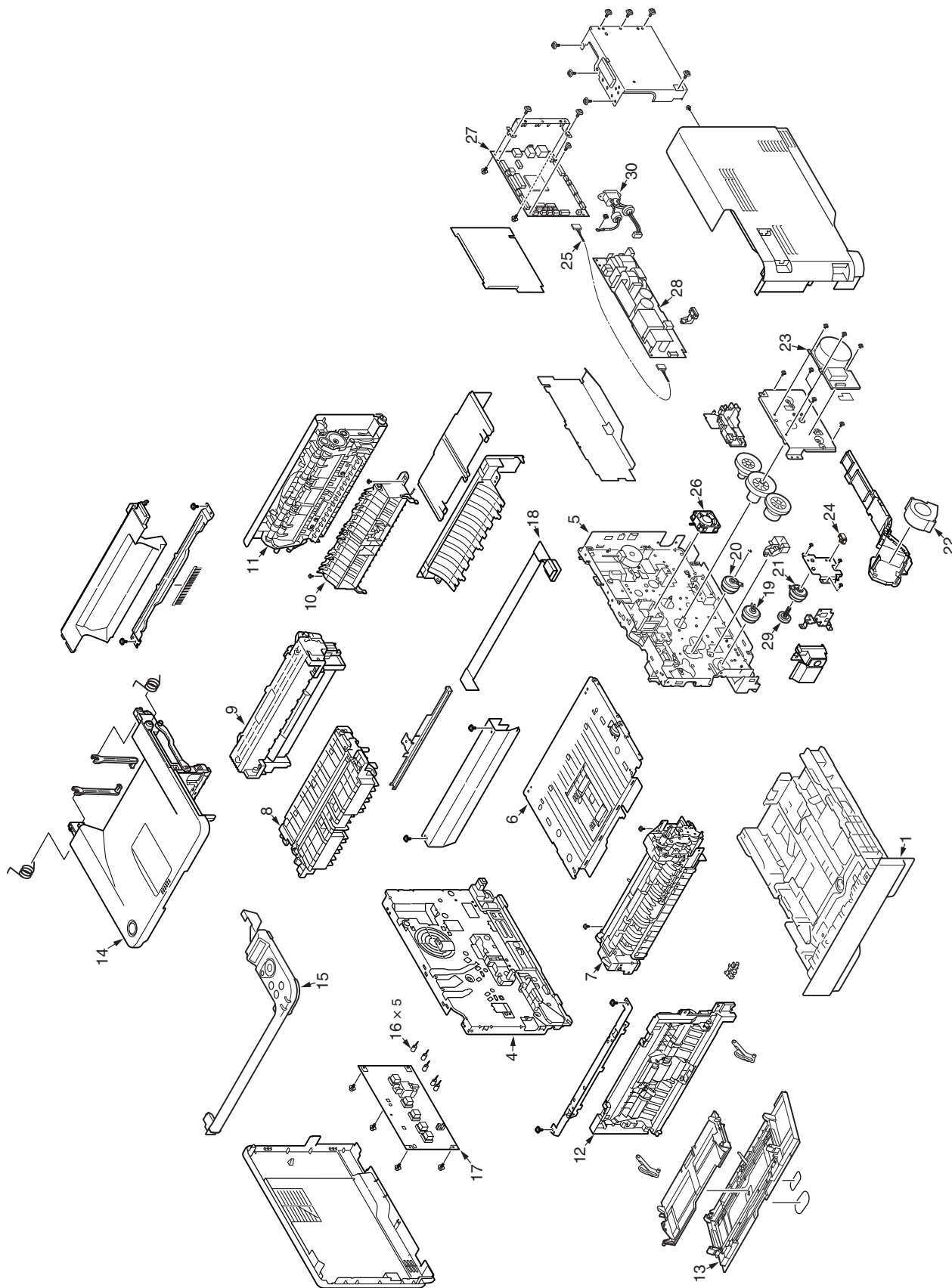


**B412dn / B432dn
B12dn / ES5112
Illustrated Spare
Parts Manual**

011515A

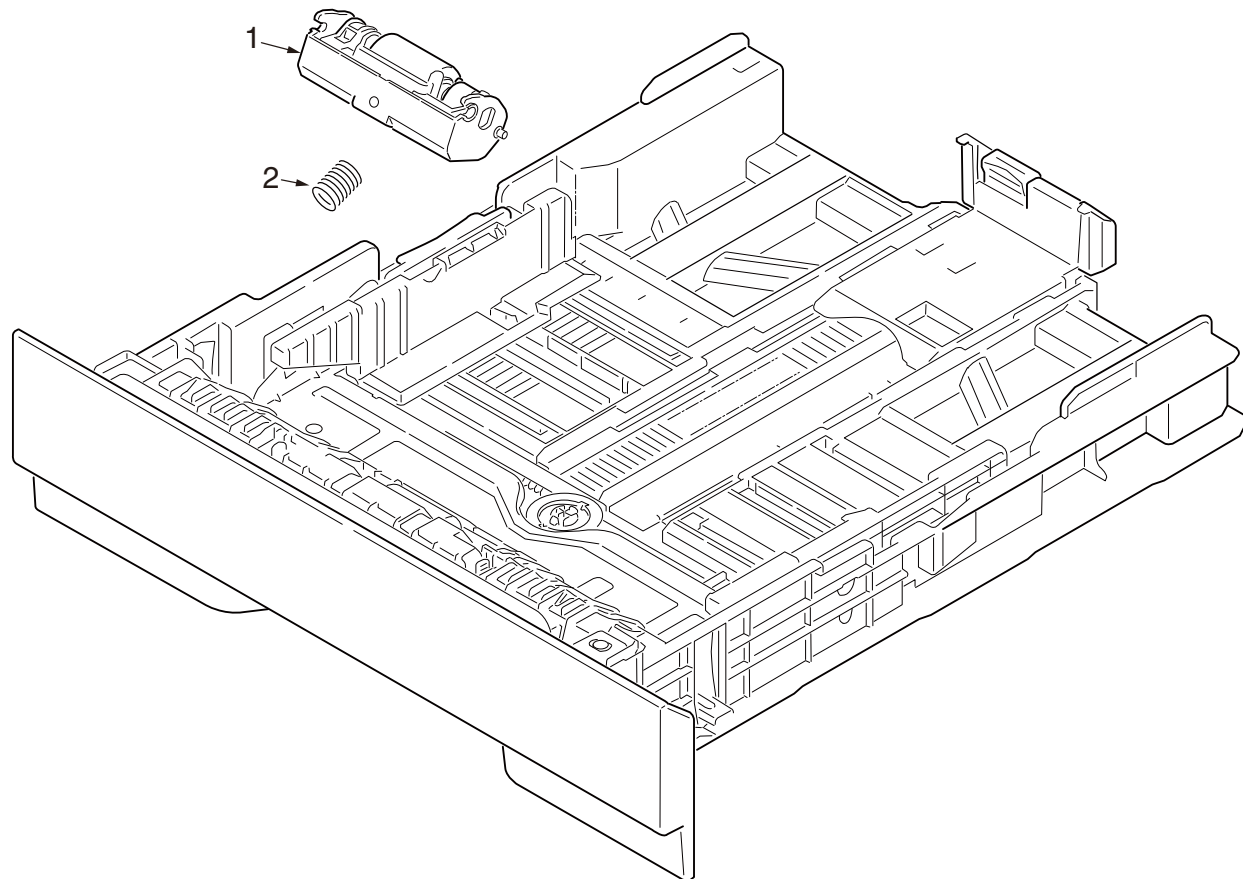
Printer Unit(B412/B432/ES4132)



No.	P/N	Part Name	QTY	500	1000	2000	Remarks
1-a	44559001	Cassette-Assy(250sht)	1	1	1	2	B412/B432/ES4132
1-b	44579504	Cassette-Assy-(530)	1	1	1	2	B512/ES5112
4-a		Plate-Assy-Side-L-	1	1	1	1	B412/B432/ES4132
4-b		Plate-Assy-Side-L-(530)	1	1	1	1	B512/ES5112
5-a		Plate-Assy-Side-R	1	1	1	1	B412/B432/ES4132
5-b		Plate-Assy-Side-R(530)	1	1	1	1	B512/ES5112
6-a	44563701	Duplex-Assy	1	1	1	1	B412/B432/ES4132
6-b	44563702	Duplex-Assy(530)	1	1	1	1	B512/ES5112
7-a	44561503	Front-Assy.-	1	1	1	2	B412/B432/ES4132
7-b	44561504	Front-Assy.-PN297(530)	1	1	1	2	B512/ES5112
8	44559301	Frame-Assy-TR	1	1	1	1	
9	44565809	Fuser-Assy-(100V)	1	5	10	20	
9	44565810	Fuser-Assy-(120V)	1	5	10	20	
9	44565811	Fuser-Assy-(240V)	1	5	10	20	
10		Guide-Assy-Eject-L	1	1	1	1	
11		Frame-Assy-Rear()	1	1	1	1	
12		Frame-Assy-MPT	1	1	1	1	
13		Cover-Assy-MPT	1	1	1	1	
14		Cover-Assy-Stacker-	1	1	1	1	
15		Cover-Assy-OPE()	1	1	1	1	
16	44509801	Spring-Contact	5	1	1	1	
17	44554001	OR-Board -97H	1	1	1	2	
18		Cable-FFC-28P(Add)_	1	1	1	1	
19	44261402	Clutch	1	1	1	1	Hopping Clutch
20	44261403	Clutch-3.5	1	1	1	1	MPT Clutch
21	44261405	Clutch-4.5	1	1	1	1	Regist Clutch
22		Motor-Fan(Blower)	1	1	1	1	for LV
23	44558301	Motor-DC(Main)	1	1	1	1	
24		Clamp-Cable	12	1	1	1	
25	45700501	CONN Cord-JST14P-JST16P	1	1	2	4	CU-LV
26	44557102	Motor-Fan	1	1	1	1	on Duct
27	45724901	Board-MRM Maintenance Board	1	2	4	8	B412(ODNA)
27	45724911	Board-MRM Maintenance Board	1	2	4	8	B432(ODNA)
27	45724921	Board-MRM Maintenance Board	1	2	4	8	B512(ODNA)

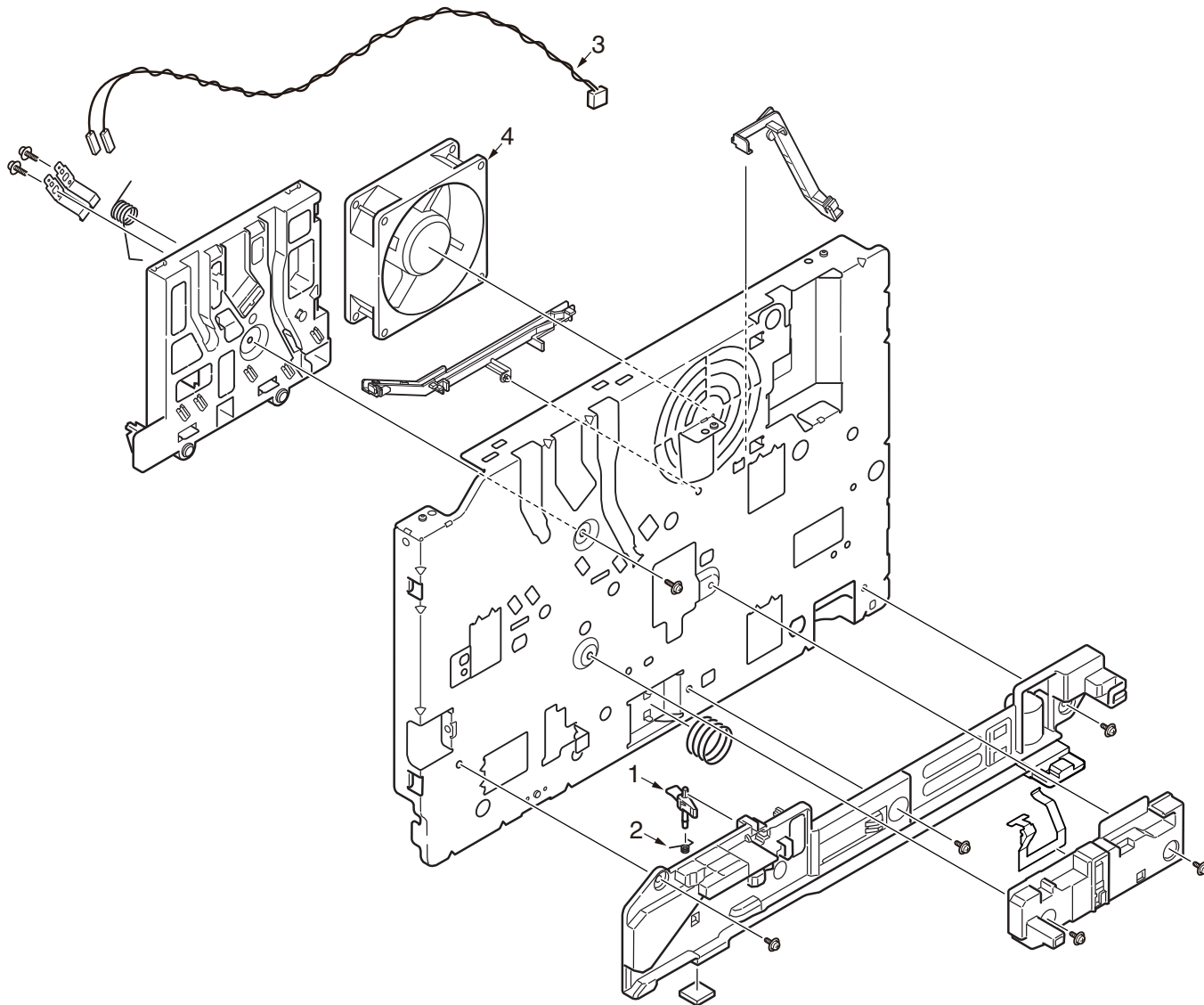
27	45724931	Board-MRM Maintenance Board	1	2	4	8	ES4132(ODNA)
27	45724941	Board-MRM Maintenance Board	1	2	4	8	ES5112(ODNA/ROLA/ODM)
27	45724948	Board-MRM Maintenance Board	1	2	4	8	ES5112(ROLA)
28	45866201	PWR unit-ACDC Switch	1	1	2	4	100-120V
28	45762701	OR-Board-30L	1	1	2	4	230V
29	44362601	Gear-MPT-CL-Z28	1	1	1	1	
30		CONN Cord- JST3P-INLET	1	1	1	1	

Cassette-Assy(B412/B432/ES4132)



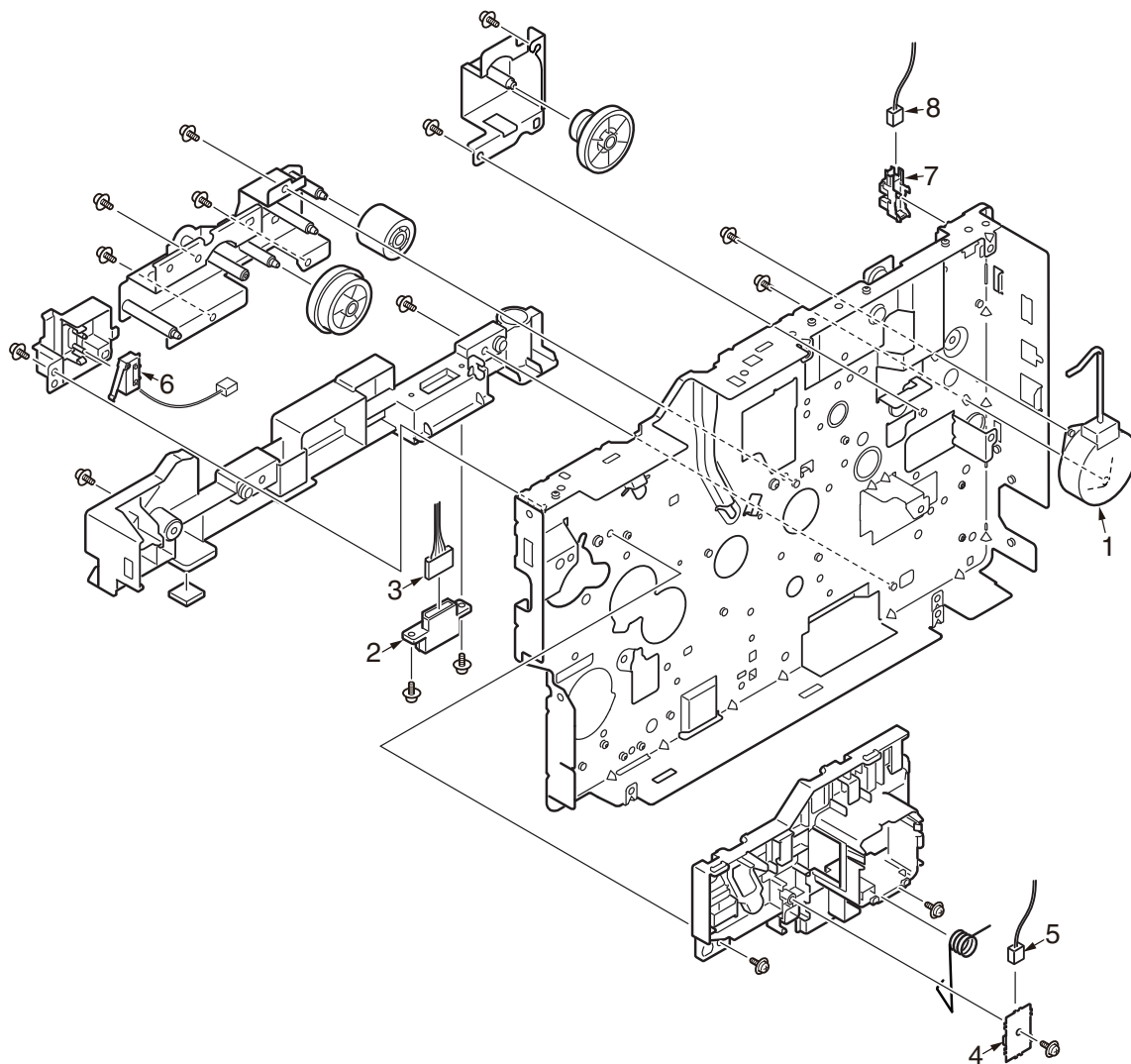
No.	P/N	Part Name	QTY	500	1000	2000	Remarks
1-a	44384701	Frame Assy.-Retard	1	1	2	4	B412/B432/ES4132
1-b	43895002	Frame-Assy-Retard	1	1	2	4	B512/ES5112
2	43963101	Spring-Retard	1	1	1	1	

Plate-Assy-Side-L(B412/B432/ES4132)



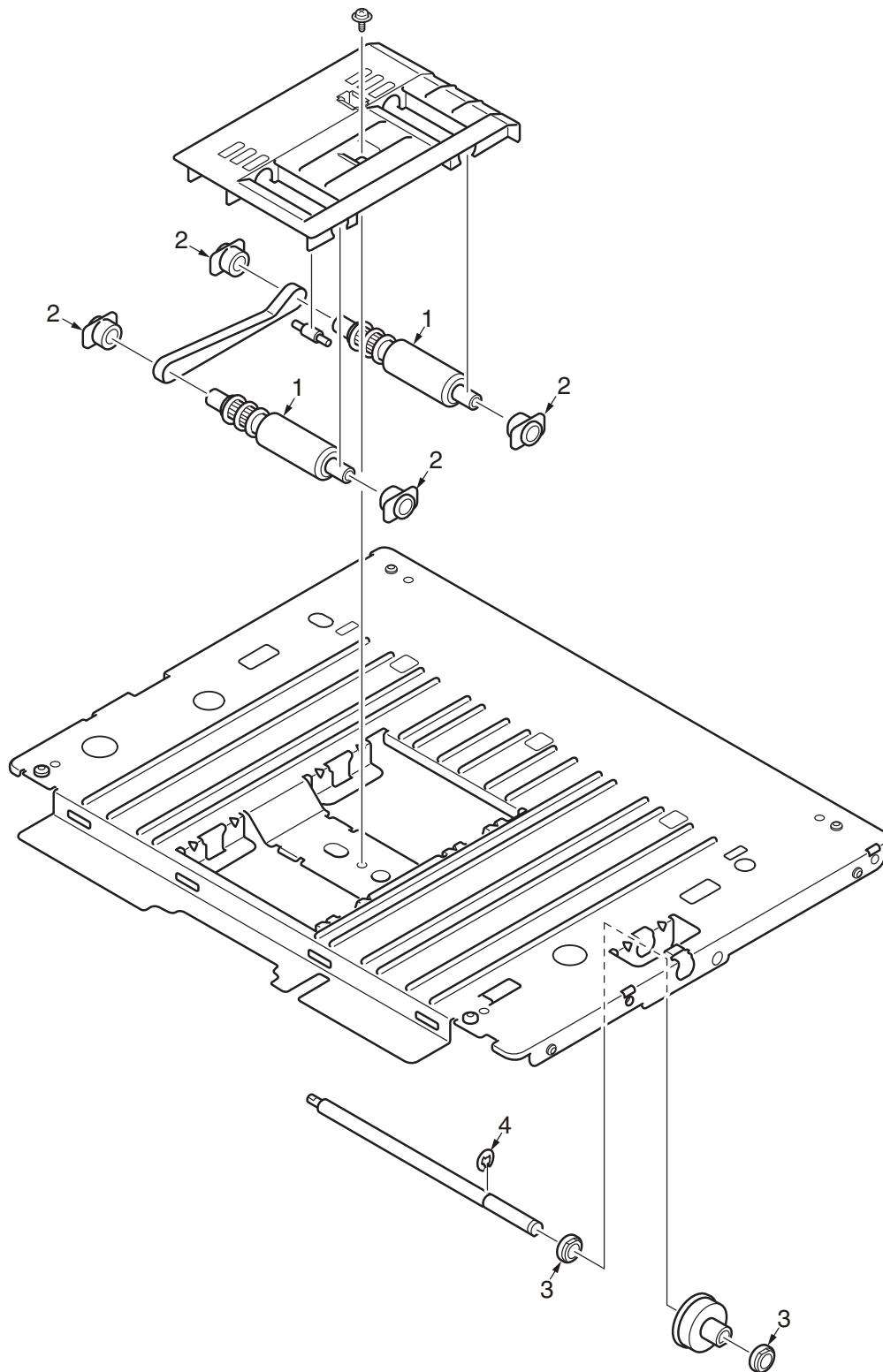
No.	P/N	Part Name	QTY	500	1000	2000	Remarks
1		Lever-Sensor-Cassette	1	1	1	1	
2		Spring-Sensor-016	1	1	1	1	
3		CONN Cord-JST2P-JST1P JST1P	1	1	1	1	
4		Motor-Fan(80)	1	1	1	1	

Plate-Assy-Side-R(B412/B432/ES4132)



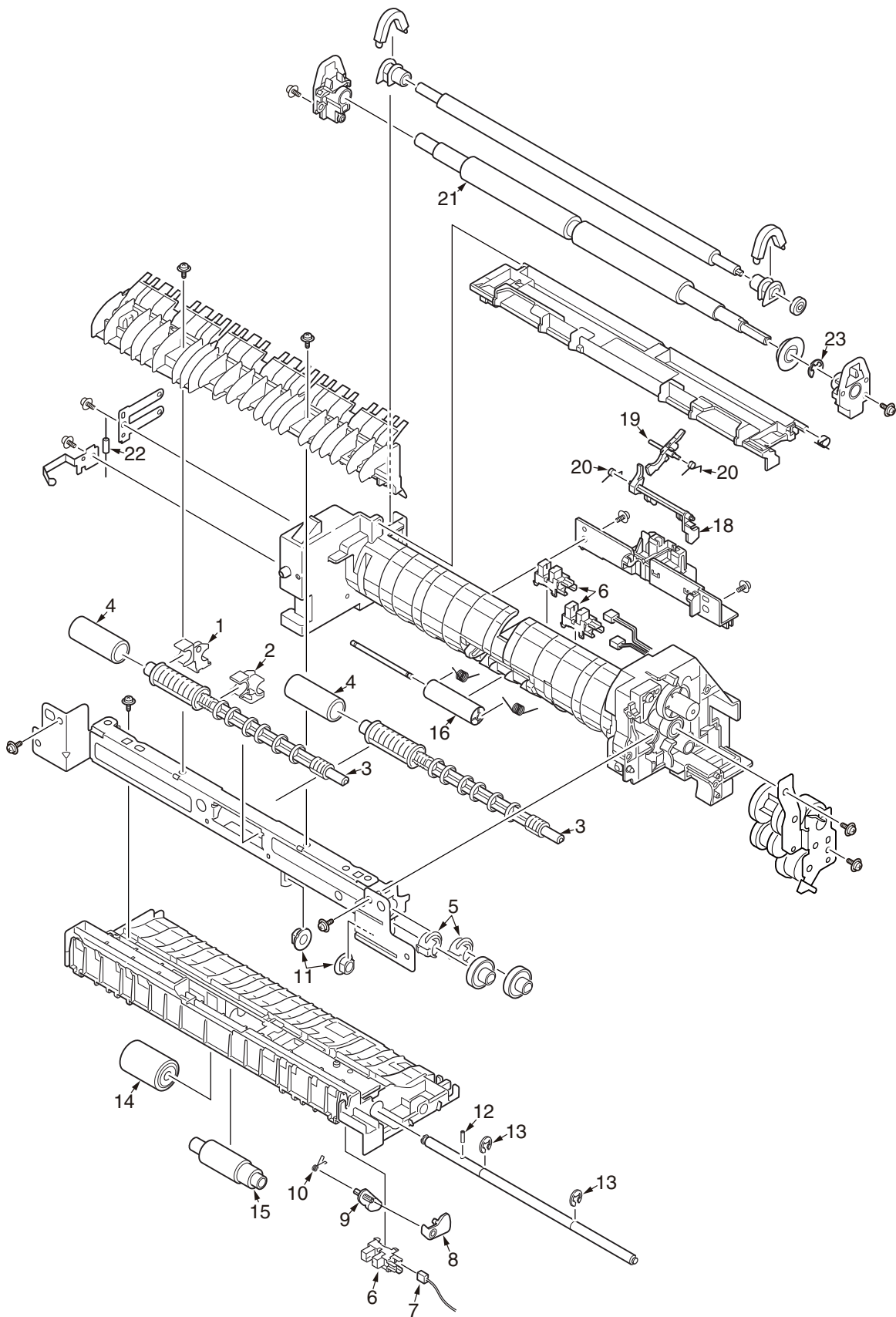
No.	P/N	Part Name	QTY	500	1000	2000	Remarks
1	44519301	Motor-Pulse	1	1	1	1	
3	44430402	CONN Cord-AMP8P-AMP8P	1	1	1	1	
4	44555101	OR-Board-97T	1	1	1	1	Toner sensor PCB
5		CONN Cord-AMP4P-AMP3P	1	1	1	1	97T-CU
6		CONN Cord-AMP3P-SW	1	1	1	1	Top cover SW-CU
7	45723601	PHOTO INTERRUPTER GP1A173LCS3F	1	1	1	1	
8		CONN Cord-AMP3P-JST3P	1	1	1	1	

Duplex-Assy



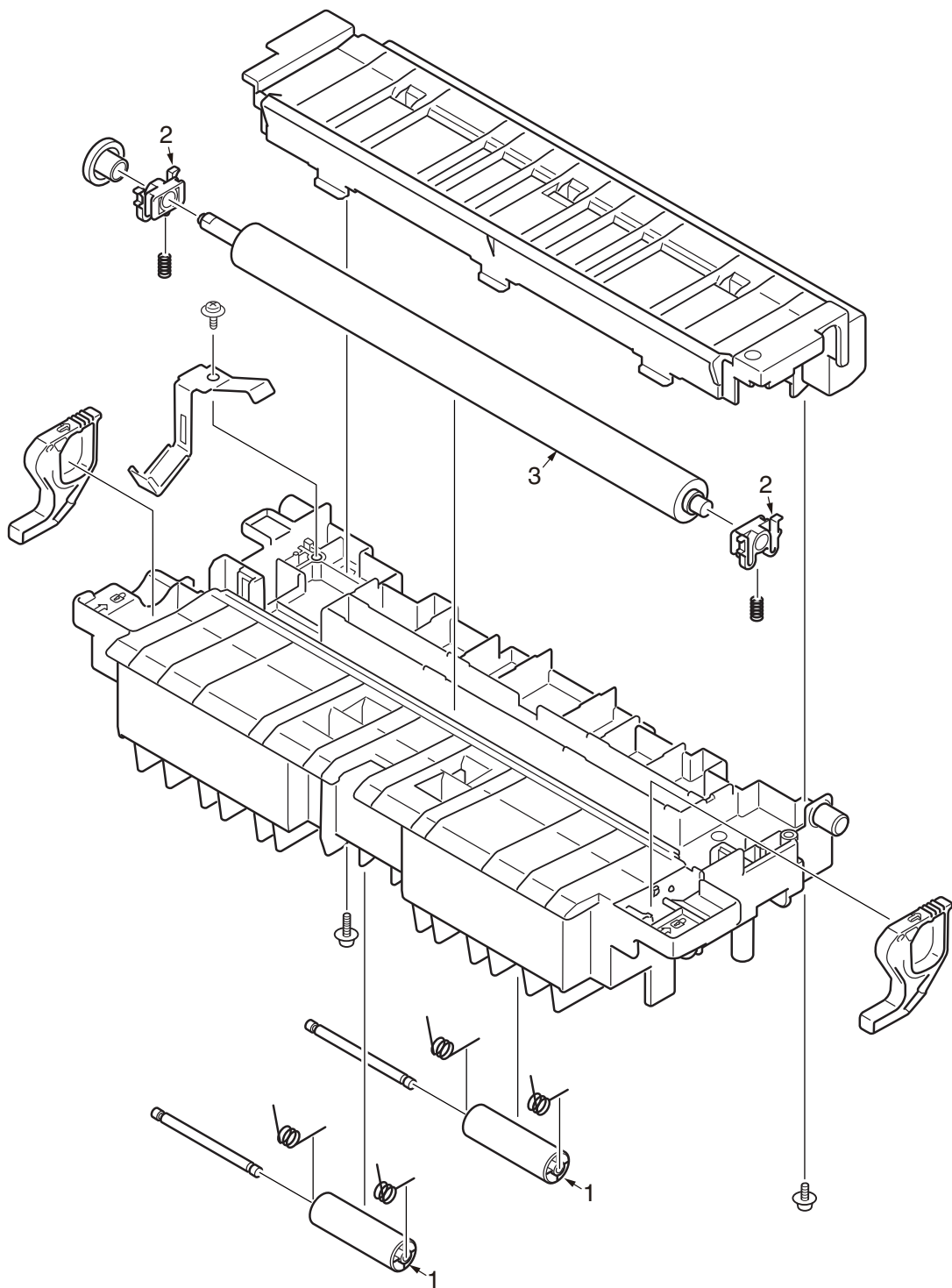
No.	P/N	Part Name	QTY	500	1000	2000	Remarks
1	44354101	Roller-Feed_Dup	2	1	1	1	
2	44379301	Bearing-Dup	4	1	1	1	
3		Bush	2	1	1	1	

Front-Assy(B412/B432/ES4132)



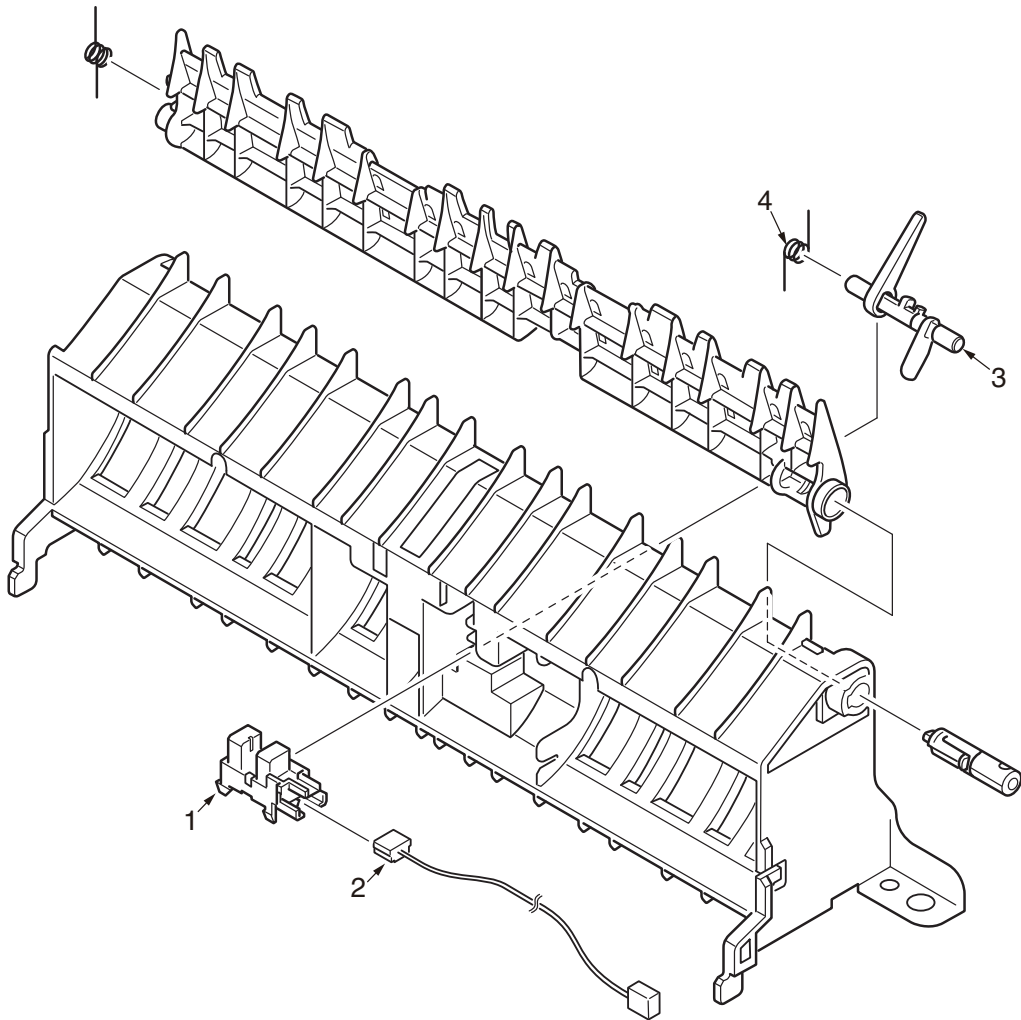
No.	P/N	Part Name	QTY	500	1000	2000	Remarks
1		Bearing-Feed-L	1	1	1	1	
2	44422901	Bearing-Feed-R	1	1	1	1	
3	44362101	Shaft-Roller-Feed	2	1	1	1	
4	44135601	Roller-Feed	2	1	1	1	
5		Bush-Feed	2	1	1	1	
7		CONN Cord-JST6P-AMP3Px2	1	1	1	1	
8-a	44549801	Lever-End	1	1	1	1	B412/B432/ES4132
8-b	45721701	Lever-End	1	1	1	1	B512/ES5112
9-a		Lever-End-Sub	1	1	1	1	B412/B432/ES4132
9-b		Lever-End-Sub	1	1	1	1	B512/ES5112
10-a	44550001	Spring-Lever-End	1	1	1	1	B412/B432/ES4132
10-b	45725101	Spring-Lever-End	1	1	1	1	B512/ES5112
11	43526601	Bush	2	1	1	1	
14	44483301	Roller-Assy-Hopping	1	1	2	4	
15	44483601	Roller-Assy-PickUp	1	1	2	4	
16	43355101	Roller-Pinch	1	1	1	1	
18	44361301	Lever-Sensor-IN	1	1	1	1	
19	44361401	Lever-Sensor-WR	1	1	1	1	
20	44361501	Spring-Sensor-016	2	1	1	1	
21	44361602	Roller-Regist	1	1	1	1	
22		OR-RES-High-Voltage-Z	1	1	1	1	

Frame-Assy-TR



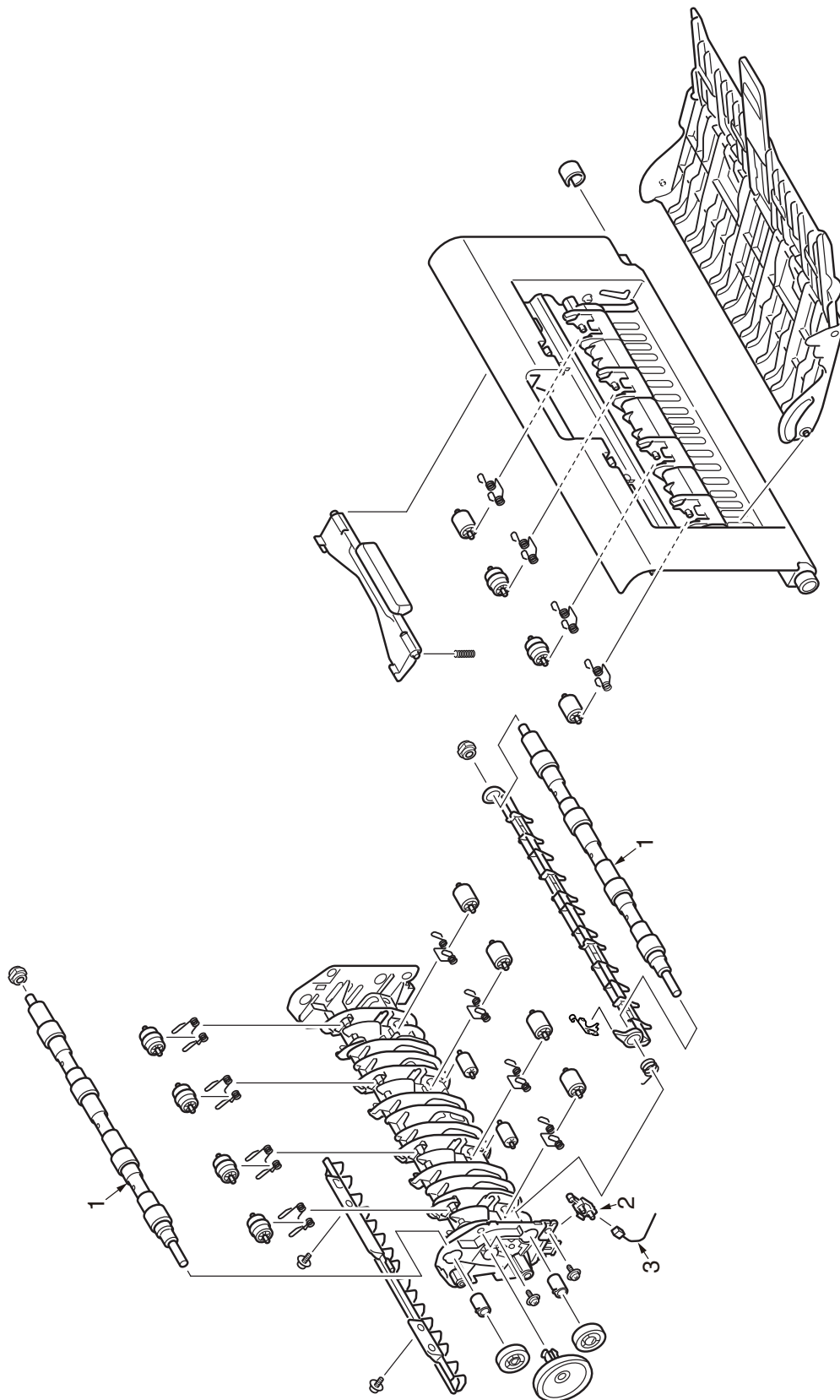
No.	P/N	Part Name	QTY	500	1000	2000	Remarks
1	43355101	Roller-Pinch	2	1	1	1	
2	43330101	Bearing-TR	2	1	1	1	
3	44432101	Roller-Transfer	1	1	1	1	

Guide-Eject-Lower-Assy



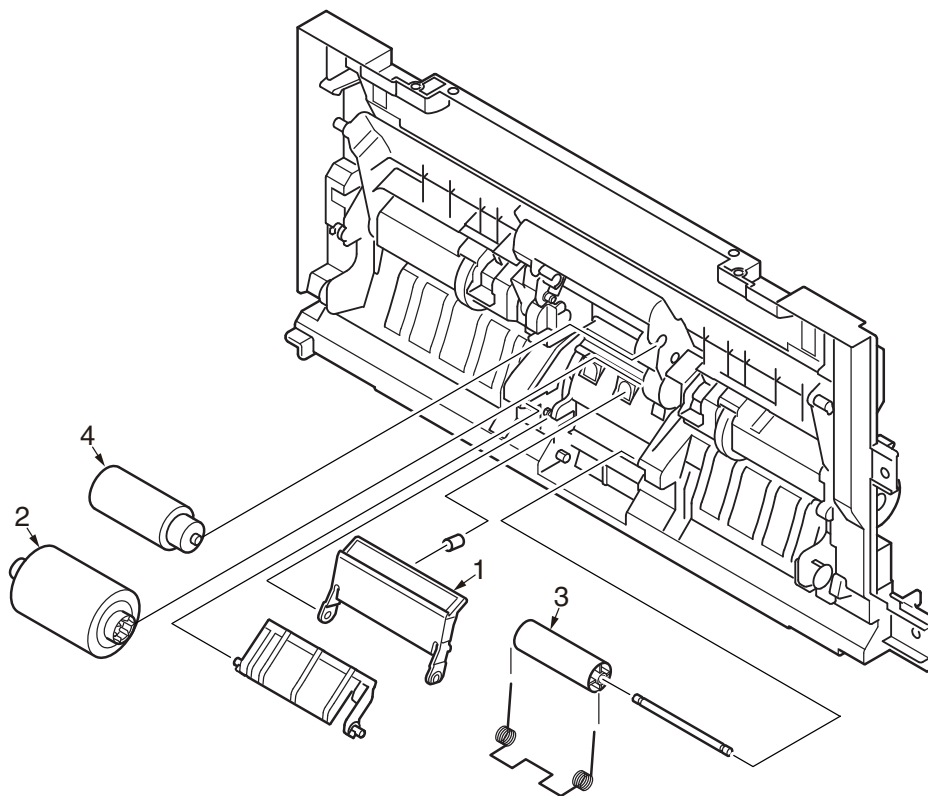
No.	P/N	Part Name	QTY	500	1000	2000	Remarks
2		CONN Cord-JST3P-AMP3P	1	1	1	1	Eject paper sensor - CU
3	44365701	Lever-Sensor_Exit	1	1	1	1	
4	44365901	Spring-Sensor_Exit	1	1	1	1	

Frame-Assy-Rear



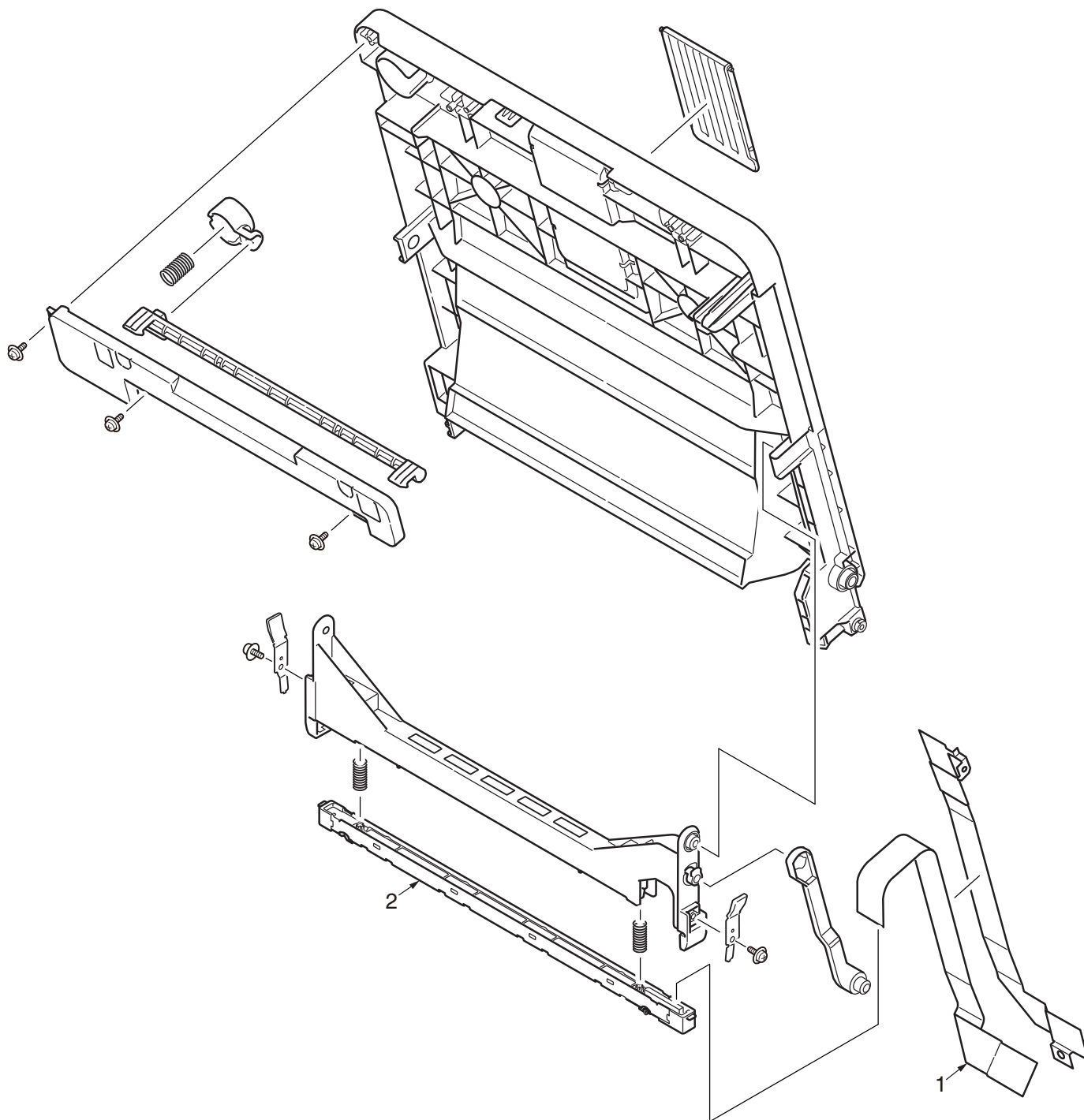
No.	P/N	Part Name	QTY	500	1000	2000	Remarks
1	44364301	Shaft-Assy.-Eject	2	1	1	1	
2		SWITCH: MICRO D2X-C	1	1	1	1	
3		CONN Cord-AMP2P-AMP2P	1	1	1	1	Duplex root sensor - CU

Frame-Assy-MPT



No.	P/N	Part Name	QTY	500	1000	2000	Remarks
1	43922401	Frame Assy.-Separator	1	1	1	1	
2	43922301	Roller-Assy-MPT	1	1	1	2	
3	43355101	Roller-Pinch	1	1	1	1	
4	43417901	Roller-Assy.-Pickup	1	1	1	1	

Cover-Assy-Stacker



No.	P/N	Part Name	QTY	500	1000	2000	Remarks
1	44570901	Cable-FFC-20P(Add)	1	1	1	1	
2	44557701	LED Head Unit-61TRA	1	1	1	1	

Cover-Assy-OPE

