

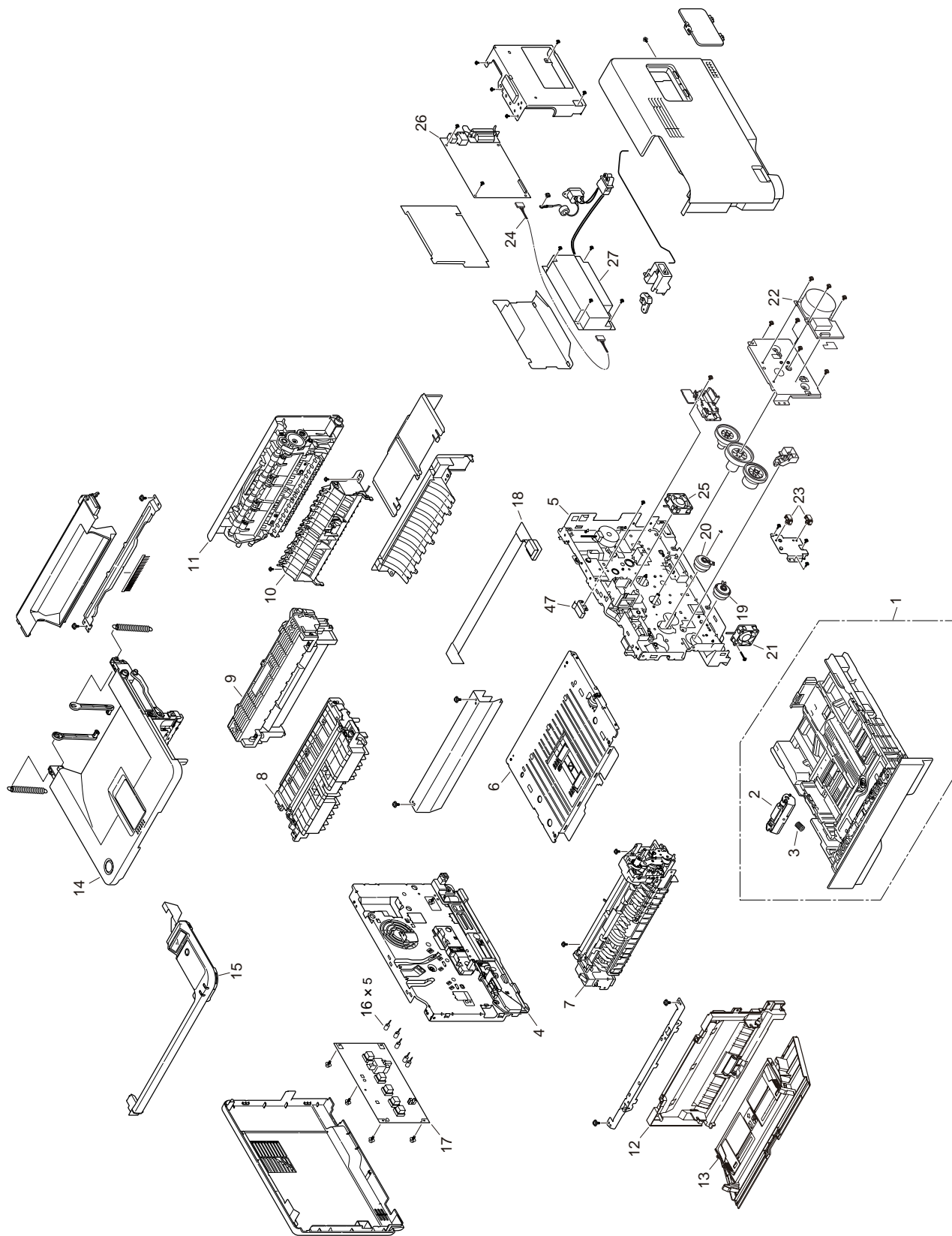
B411

Spare Parts

Illustration Manual

070610A

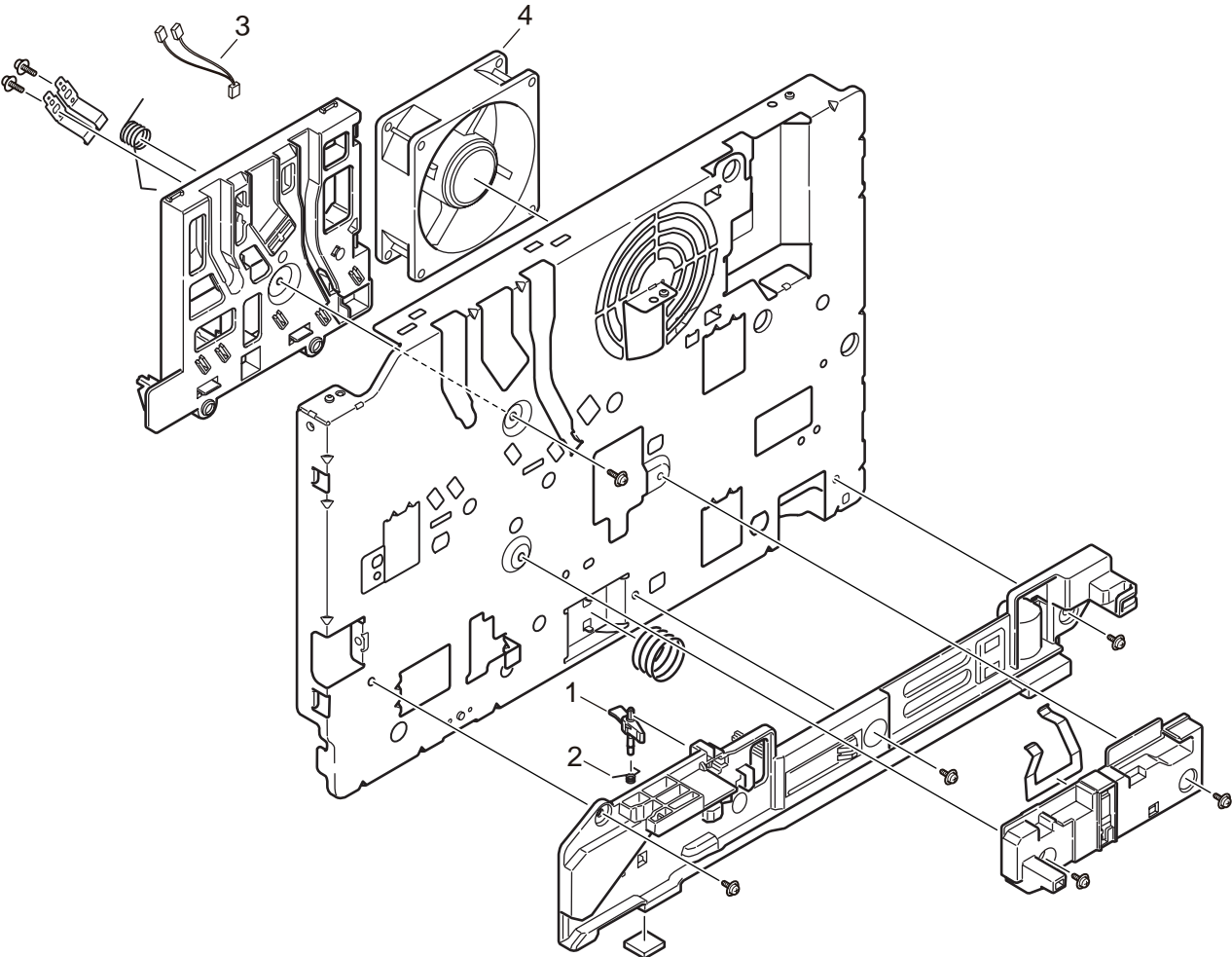
Printer Unit



No.	Part No.	Part Name	Qty /Unit	Recommended Qty/Year			Remarks
				per 500	per 1000	per 2000	
1-a	44559001	Cassette-Assy(250sht)	1	1	2	4	
1-b	44559002	Cassette-Assy(250sht)	1	1	2	4	Black-Version
2	44384701	Frame Assy.-Retard	1	1	2	4	
3	43963101	Spring-Retard	1	1	2	4	
4		Plate-Assy-Side-L	1	1	2	4	
5		Plate-Assy-Side-R	1	1	2	4	
6	44563701	Duplex-Assy	1	1	2	4	
7	44561501	Front-Assy.-PN296	1	1	2	4	B411
8	44559301	Frame-Assy-TR	1	1	2	4	
9-a		Fuser-Assy-PN297(100V)	1	5	10	20	100V
9-b	44565805	Fuser-Assy-PN297(120V)	1	5	10	20	110V-127V
9-c	44565806	Fuser-Assy-PN297(230V)	1	5	10	20	220V-240V
10	44563801	Guide-Assy-Eject-L	1	1	2	4	
11-a		Frame-Assy-Rear	1	1	2	4	
11-b		Frame-Assy-Rear	1	1	2	4	Black-Version
12-a		Frame-Assy-Manual	1	1	2	4	B411
12-b		Frame-Assy-Manual	1	1	2	4	B411 Black-Version
13-a		Cover-Assy-Manual	1	1	2	4	B411
13-b		Cover-Assy-Manual	1	1	2	4	B411 Black-Version
14-a		Cover-Assy-Stacker	1	1	2	4	B411
14-b		Cover-Assy-Stacker	1	1	2	4	B411 Black-Version
15-a	44560101	Cover-Assy-OPE	1	1	2	4	B411
15-b	44560104	Cover-Assy-OPE	1	1	2	4	B411 Black-Version
16	44509801	Spring-Contact	5	5	10	20	
17	44554001	OR-Board -97H	1	1	2	4	
18	44557601	Cable-FFC-28P(Add)	1	1	2	4	
19	44261402	Clutch	1	1	2	4	Hopping-Clutch

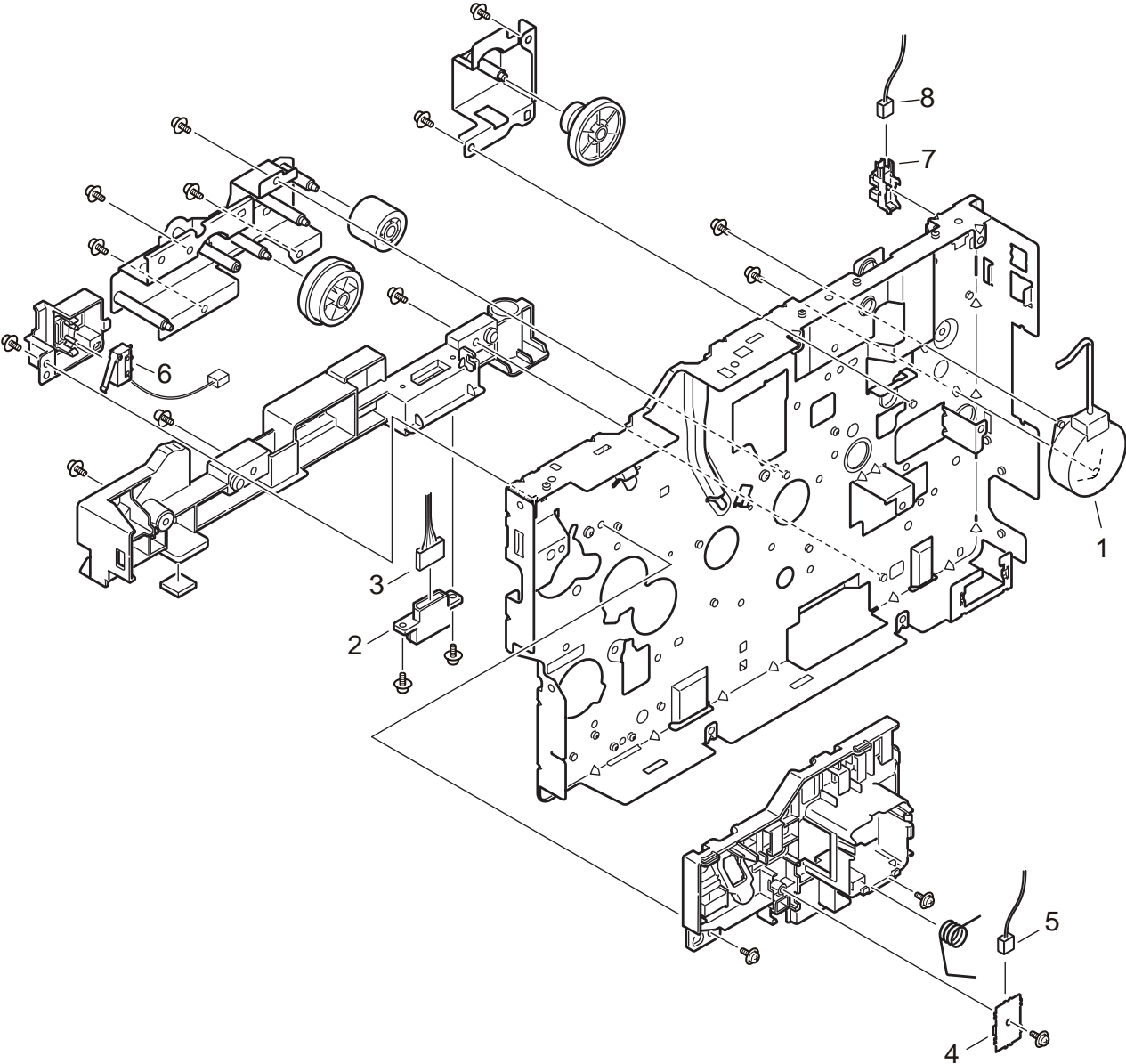
No.	Part No.	Part Name	Q'ty /Unit	Recommended Q'ty/Year			Remarks
				per 500	per 1000	per 2000	
20	44261405	Clutch-4.5	1	1	2	4	Regist-Clutch
21		Motor-Fan	1	1	2	4	
22	44558301	Motor-DC(Main)	1	1	2	4	
23		Mini-Saddle-RMS-1V0	13	5	10	20	
24		CONN Cord-JST11P-JST11P	1	1	2	4	
25		Motor-Fan	1	1	2	4	
26-a	44554603	OR-PN296/7 Control Board-97M-3(411dn)	1	1	2	4	B411dn
26-b	44554604	OR-PN296/7 Control Board-97M-4(411d)	1	1	2	4	B411d
26-a	44655909	Maintenance board 97M-3	1	1	2	4	B411dn Maintenance-Borard
26-e	44655913	Maintenance board 97M-4	1	1	2	4	B411d Maintenance-Borard
27-a	44342301	PWR unit-ACDC Switch	1	1	2	4	100V,110V-127V
27-b	44342302	PWR unit-ACDC Switch	1	1	2	4	220V-240V

Plate-Assy-Side-L



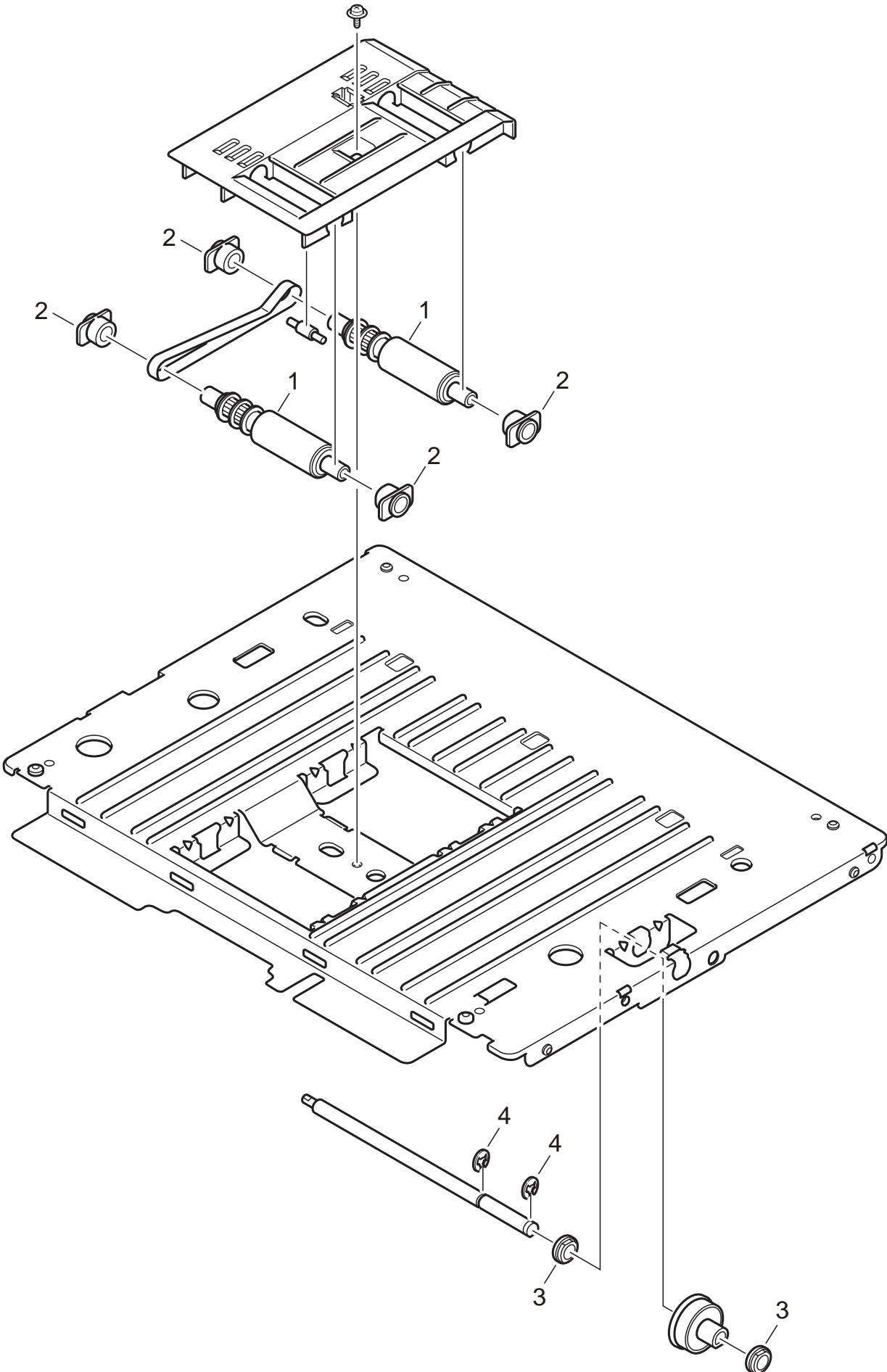
No.	Part No.	Part Name	Q'ty /Unit	Recommended Q'ty/Year			Remarks
				per 500	per 1000	per 2000	
1	44473601	Lever-Sensor-Cassette	1	1	2	4	
2	44361501	Spring-Sensor-016	1	1	2	4	
3		CONN Cord-JST3P-TAG	1	1	2	4	
4		Motor-Fan	1	1	2	4	
4	43289101	OR-Motor-FAN(80)	1	1	2	4	

Plate-Assy-Side-R



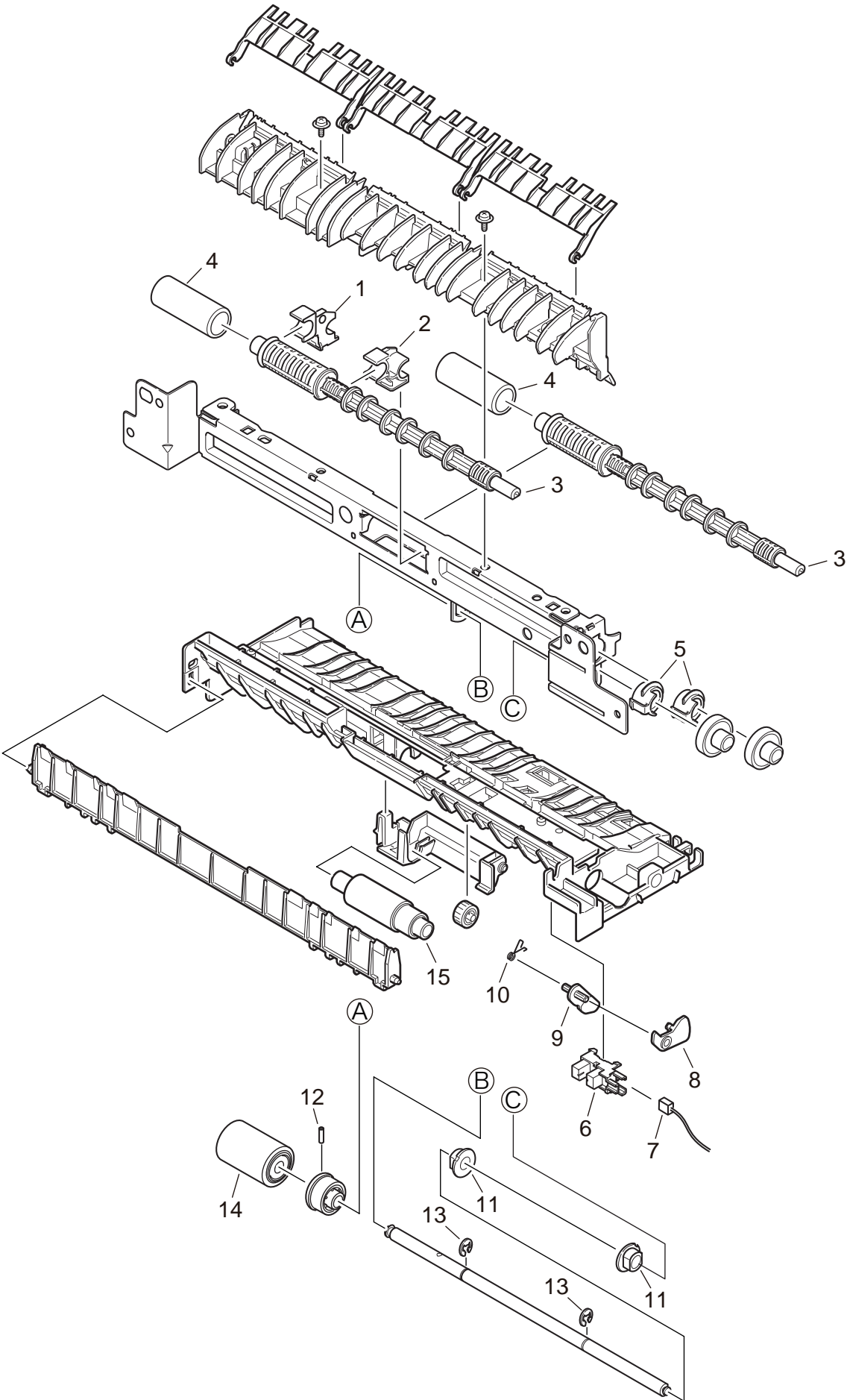
No.	Part No.	Part Name	Q'ty /Unit	Recommended Q'ty/Year			Remarks
				per 500	per 1000	per 2000	
1	44519301	Motor-Pulse	1	1	2	4	
2		9715B-08Z02-G4C	1	1	2	4	
3	44430402	CONN Cord-AMP8P-AMP8P	1	1	2	4	
4	44555101	OR-Board-97T	1	1	2	4	
5		CONN Cord-AMP4P-AMP3P	1	1	2	4	
6		CONN Cord-AMP3P-SW	1	1	2	4	
7		GP1A173LCS2F	1	1	2	4	
8		CONN Cord-AMP3P-JST3P	1	1	2	4	

Duplex-Assy



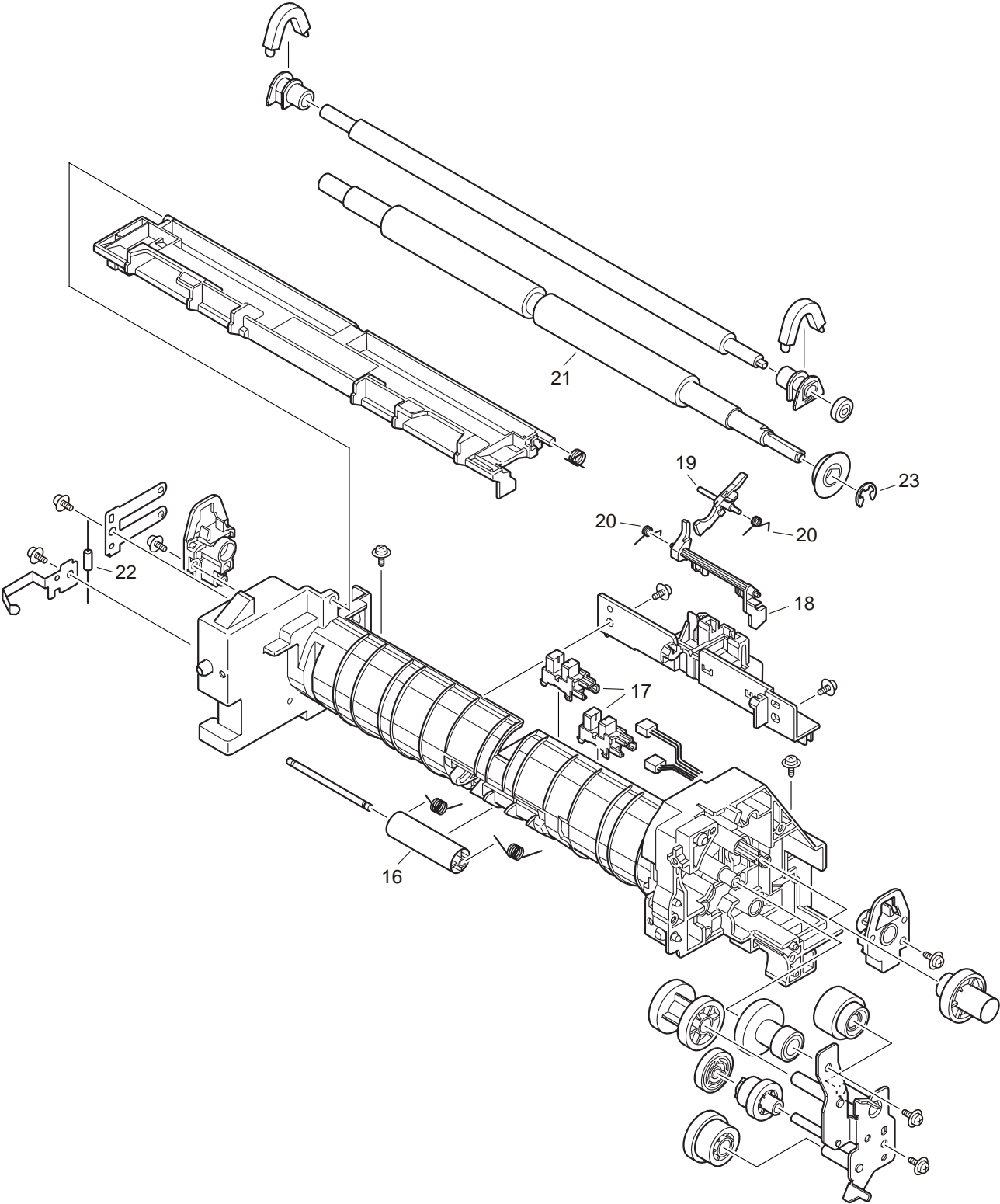
No.	Part No.	Part Name	Q'ty /Unit	Recommended Q'ty/Year			Remarks
				per 500	per 1000	per 2000	
1		Roller-Feed_Dup	2	2	4	8	
2		Bearing-Dup	4	4	8	16	
3	42060701	Bush	2	2	4	8	
4		Ring	2	2	4	8	

Front-Assy_1

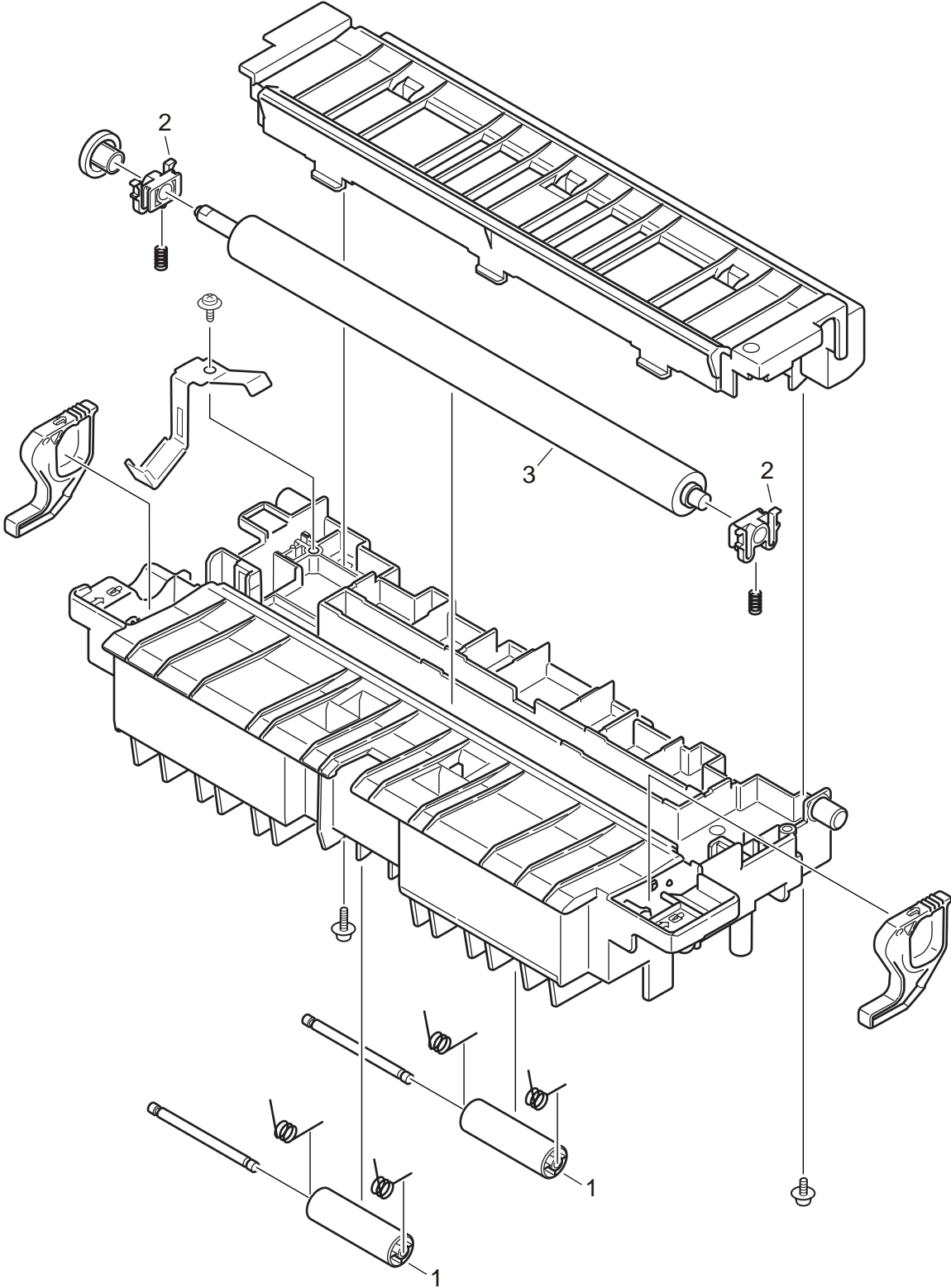


No.	Part No.	Part Name	Q'ty /Unit	Recommended Q'ty/Year			Remarks
				per 500	per 1000	per 2000	
1		Bearing-Feed-L	1	1	2	4	
2		Bearing-Feed-R	1	1	2	4	
3	44362101	Shaft-Roller-Feed	2	2	4	8	
4	44135601	Roller-Feed	2	2	4	8	
5		Bush-Feed	2	2	4	8	
6		GP1A173LCS2F	1	1	2	4	
7		CONN Cord-AMP3P-AMP3P	1	1	2	4	
8	44549801	Lever-End	1	1	2	4	
9	44549901	Lever-End-Sub	1	1	2	4	
10	44550001	Spring-Lever-End	1	1	2	4	
11	43526601	Bush	1	1	2	4	
12		KNOCK PIN	1	1	2	4	
13	RE4-SK	Ring	2	2	4	8	
14	44483301	Roller-Assy-Hopping	1	1	2	4	
15	44483601	Roller-Assy-PickUp	1	1	2	4	
16	43355101	Roller-Pinch	1	1	2	4	
17		GP1A173LCS2F	2	1	2	4	
18	44361301	Lever-Sensor-IN	1	1	2	4	
19	44361401	Lever-Sensor-WR	1	1	2	4	
20	44361501	Spring-Sensor-016	2	1	2	4	
21	44361602	Roller-Regist	1	1	2	4	
22	42796901	OR-RES-High-Voltage-Z	1	1	2	4	
23		Ring	1	1	2	4	

Front-Assy_2

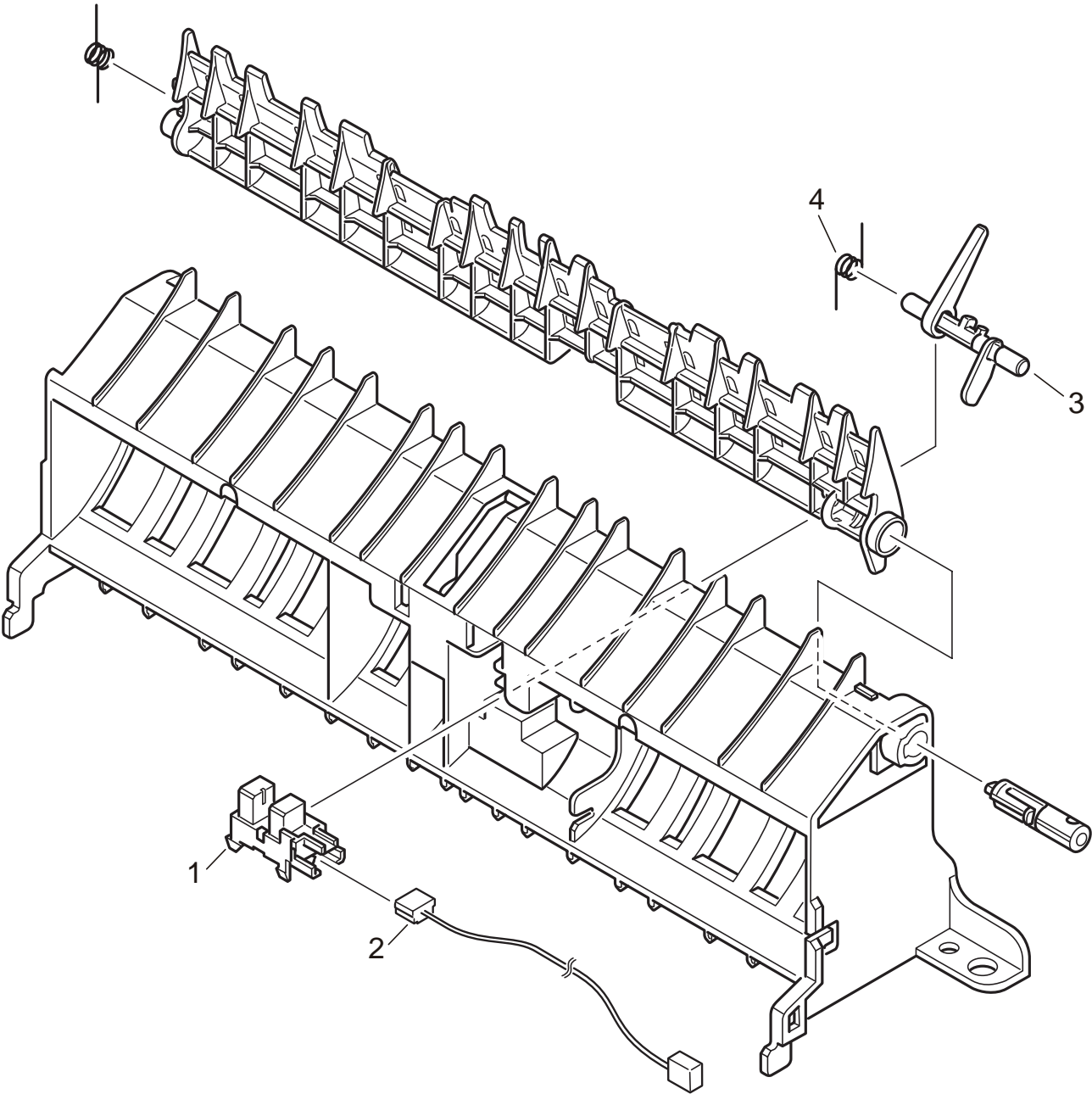


Frame-Assy-TR



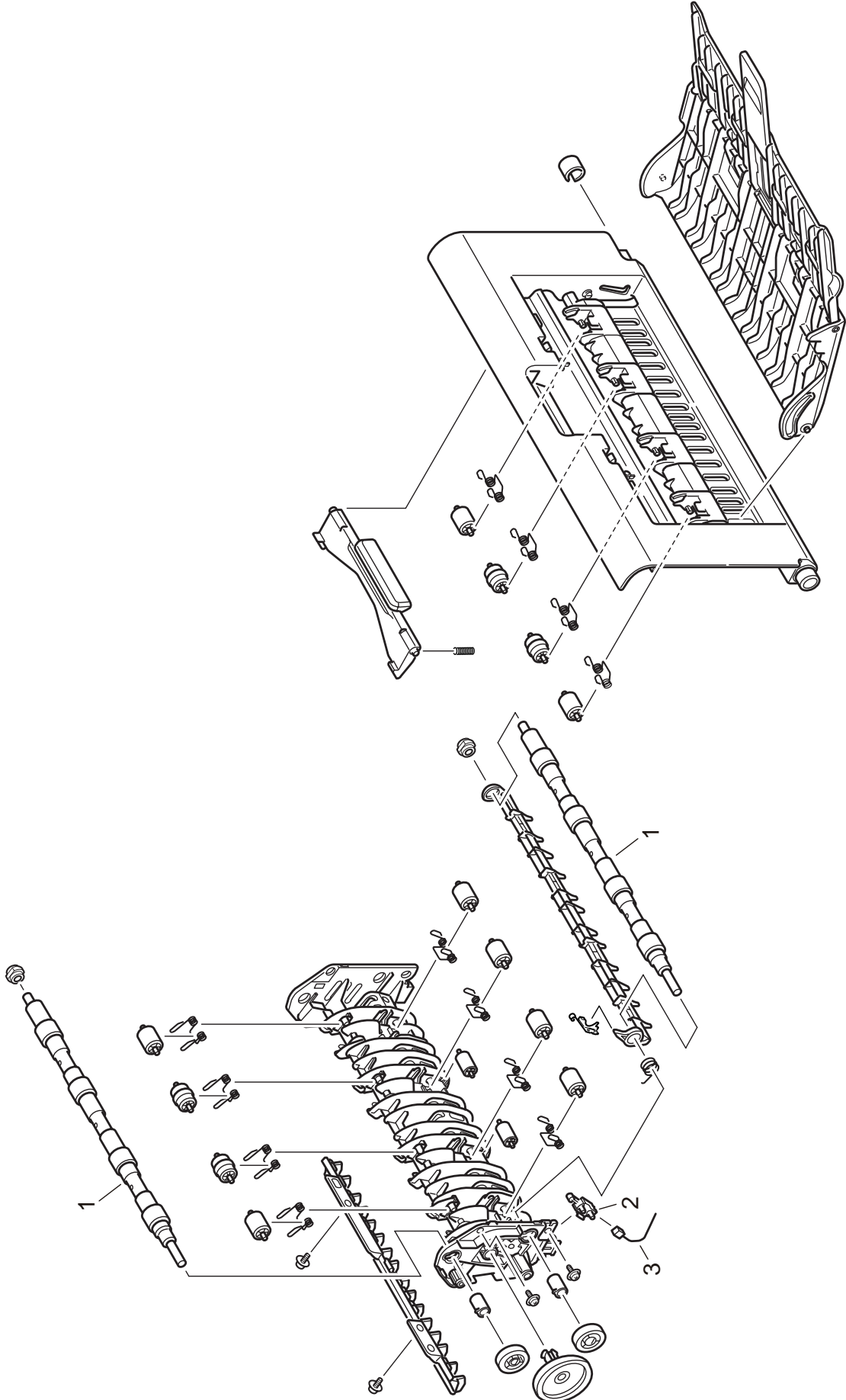
No.	Part No.	Part Name	Q'ty /Unit	Recommended Q'ty/Year			Remarks
				per 500	per 1000	per 2000	
1	43355101	Roller-Pinch	2	2	4	8	
2	43330101	Bearing-TR	2	2	4	8	
3	44432101	Roller-Transfer	1	1	2	4	

Guide-Eject-Lower-Assy



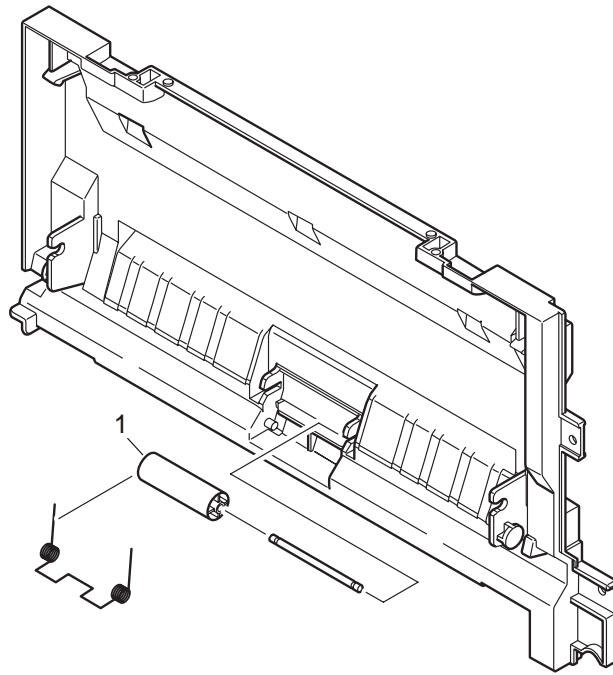
No.	Part No.	Part Name	Q'ty /Unit	Recommended Q'ty/Year			Remarks
				per 500	per 1000	per 2000	
1		GP1A173LCS2F	1	1	2	4	
2		CONN Cord-JST3P-AMP3P	1	1	2	4	
3	44365701	Lever-Sensor_Exit	1	1	2	4	
4	44365901	Spring-Sensor_Exit	1	1	2	4	

Frame-Assy-Rear



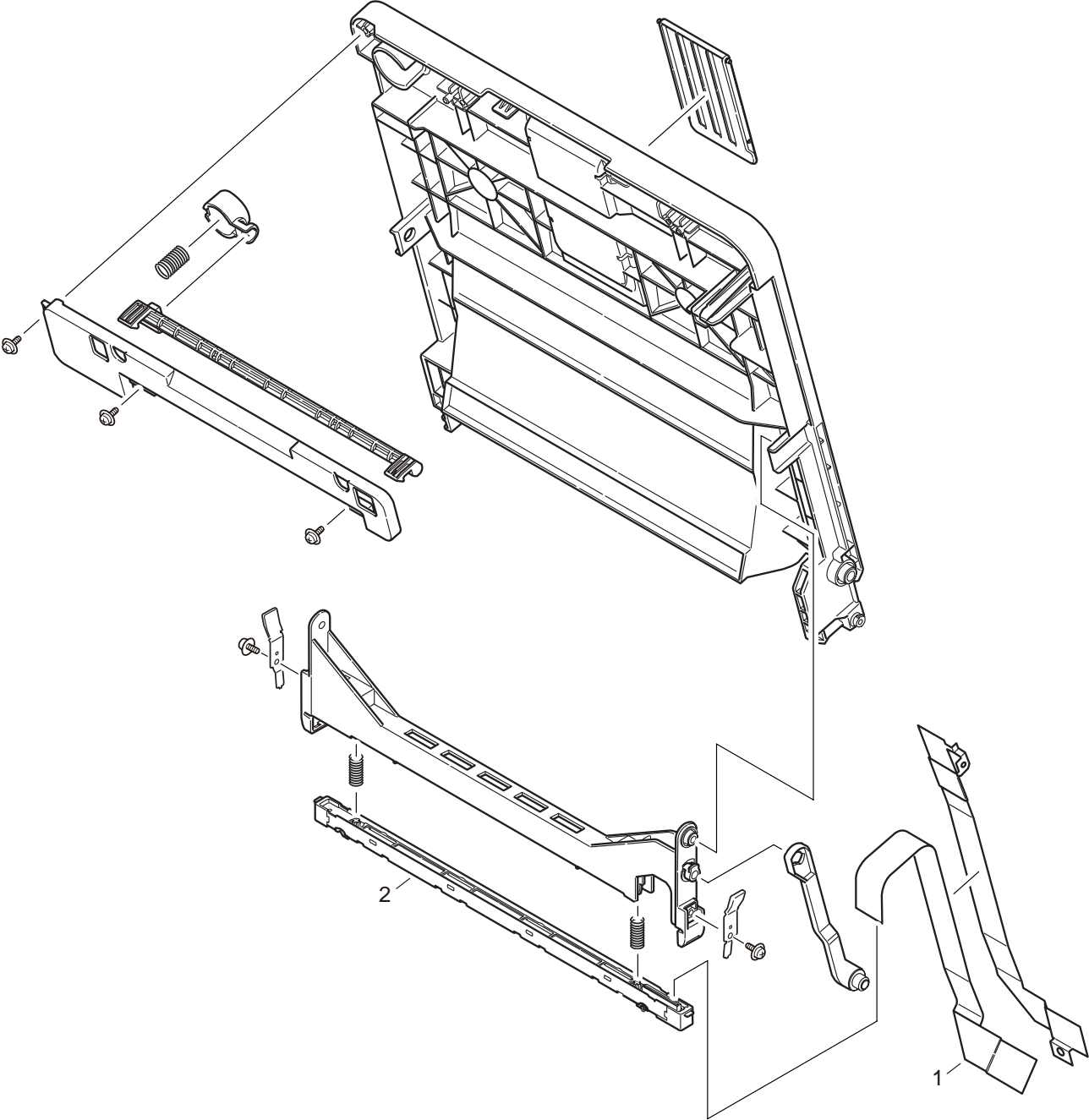
No.	Part No.	Part Name	Q'ty /Unit	Recommended Q'ty/Year			Remarks
				per 500	per 1000	per 2000	
1	44364301	Shaft-Assy.-Eject	2	2	4	8	
2		D2X-C	1	1	2	4	
3		CONN Cord-AMP2P-AMP2P	1	1	2	4	

Manual-Assy



No.	Part No.	Part Name	Q'ty /Unit	Recommended Q'ty/Year			Remarks
				per 500	per 1000	per 2000	
1	43355101	Roller-Pinch	1	1	2	4	

Cover-Assy-Stacker



No.	Part No.	Part Name	Q'ty /Unit	Recommended Q'ty/Year			Remarks
				per 500	per 1000	per 2000	
1		Cable-FFC-20P(Add)	1	1	2	4	
2	44317201	LED Head Unit-51TRA	1	1	2	4	600dpi