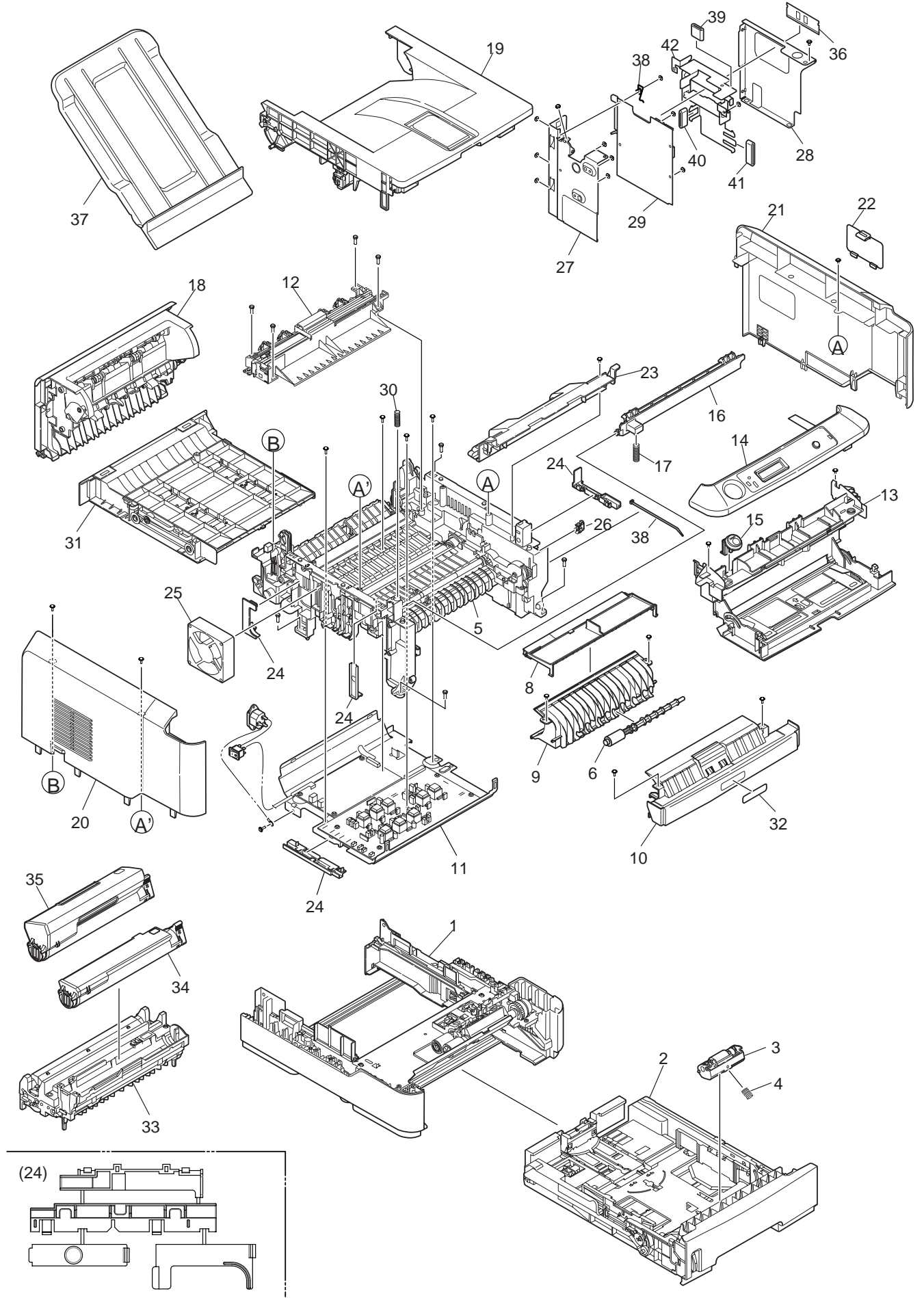


# B410 Series Spare Parts Illustration Manual

010709A

# Main Unit

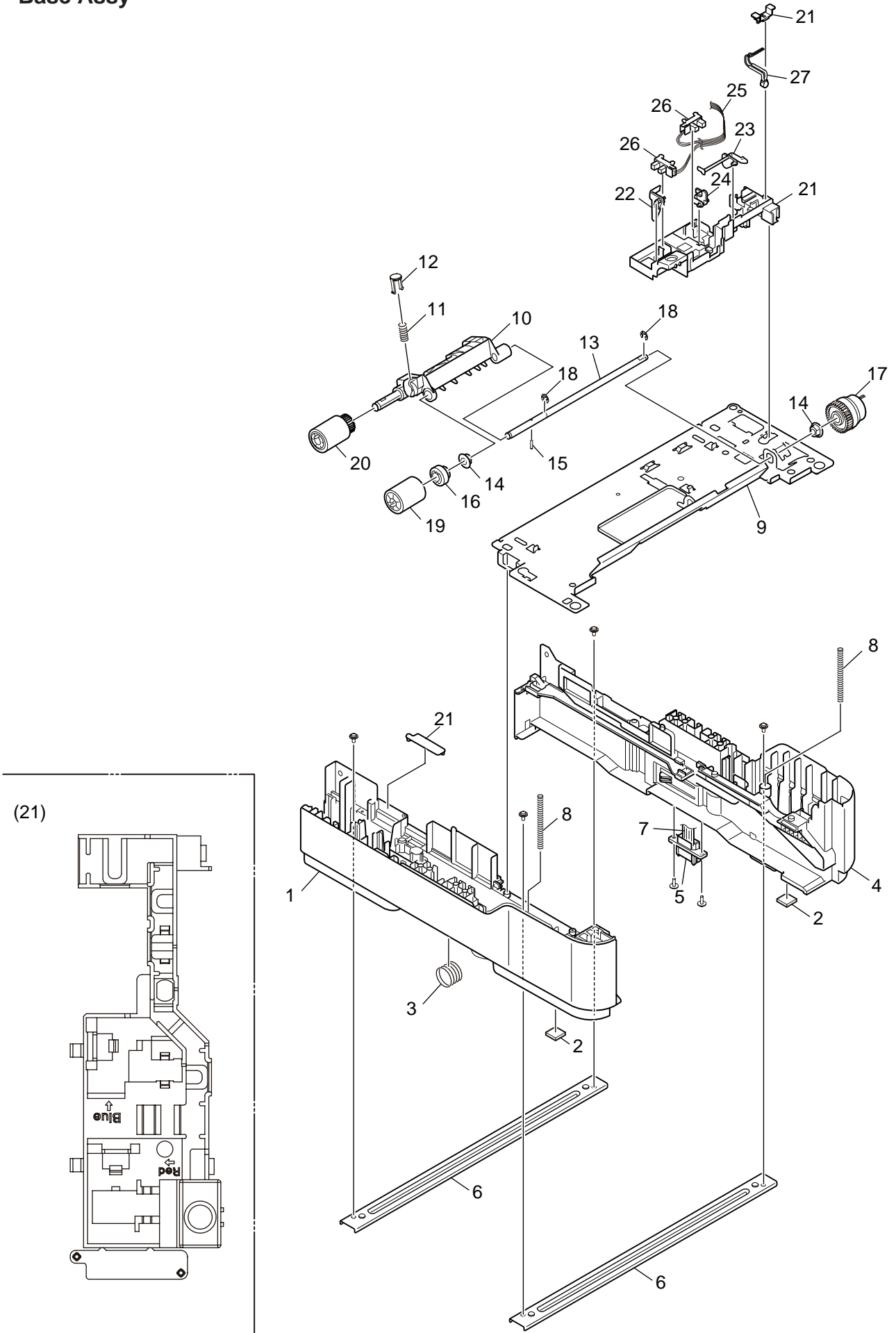


No.	Part No.	Part Name	Q'ty /Unit	Recommended Qty/Year			Remarks
				per 500	per 1000	per 2000	
1-a		Plate-Assy.-Base	1	-	-	-	
1-b		Plate-Assy.-Base(Black)	1	-	-	-	Black-Version
2-a	43993301	Cassette-Assy.(250sht)	1	1	2	4	
2-b	43993302	Cassette-Assy.(250sht)(Black)	1	1	2	4	Black-Version
3	43895001	Frame-Assy-Retard	1	1	2	4	
4	43963101	Spring-Retard	1	1	2	4	
5	43993502	Frame-Assy.-Lower(Manual)	1	1	2	4	
6	44071801	Roller Assy.-Feed	1	1	2	4	
7	43905901	Roller-Feed	3	3	6	12	
8		Guide-Paper(Adhesive)	1	-	-	-	
9		Guide-Paper-Duplex	1	-	-	-	
10-a		Guide-Assy.-Front(Manual)	1	-	-	-	
10-b		Guide-Assy.-Front- Manual(Black)	1	-	-	-	Black-Version
11-a		Plate-Assy.-P.C.B.	1	-	-	-	100V/120V
11-b		Plate-Assy.-P.C.B.(230V)	1	-	-	-	230V
12-a	43993901	Fuser-Assy.(120V)	1	5	10	20	120V
12-b	43993902	Fuser-Assy.(230V)	1	5	10	20	230V
12-c		Fuser-Assy.(100V)	1	5	10	20	100V
13-a	43994201	Front-Assy.-Manual	1	1	2	4	
13-b	43994203	Front-Assy.-Manual(Black)	1	1	2	4	Black-Version
14-a	44019801	Cover Assy.-OPE(PN286- ODA/Japan)	1	1	2	4	
14-d	44019804	Cover Assy.-OPE(PN286- ODA)(Black)	1	1	2	4	Black-Version
15-a		Button-Cover-Open	1	-	-	-	
15-b		Button-Cover-Open	1	-	-	-	Black-Version
16		Lever-Lock-Top	1	-	-	-	
17		Spring-Compression(Lock)	1	-	-	-	
18-a	43994701	Cover-Assy.-Rear	1	1	2	4	

No.	Part No.	Part Name	Q'ty /Unit	Recommended Qty/Year			Remarks
				per 500	per 1000	per 2000	
18-b	43994702	Cover-Assy.-Rear(Black)	1	1	2	4	Black-Version
19-a	43994802	Cover-Assy.-Stacker(600dpi)	1	1	2	4	
19-b	43994804	Cover-Assy.-Stacker(600dpi)(Black)	1	1	2	4	Black-Version
20-a		Cover-Side-L	1	-	-	-	
20-b		Cover-Side-L	1	-	-	-	Black-Version
21-a		Cover-Side-R	1	-	-	-	
21-b		Cover-Side-R	1	-	-	-	Black-Version
22-a		Cover-Access	1	-	-	-	
22-b		Cover-Access	1	-	-	-	Black-Version
23		Cover-Lever-Lock	1	-	-	-	
24		Piece-Guide	1	-	-	-	
25	43400301	Motor-Fan	1	-	-	-	
26		Clamp-Cable	1	-	-	-	
27		Plate-Shield-CU	1	-	-	-	
28		Plate-Cover-Shield-CU	1	-	-	-	
29-a	43963616	Board-87M-3(MN)	1	1	2	4	B410dn,CU board(NIC)
29-d	43963619	Board-87M-4(MN)	1	1	2	4	B410d,CU board(No NIC)
30		Spring-Cover-Open	1	-	-	-	
31-a	43994901	Duplex-Assy.	1	1	2	4	
31-b	43994902	Duplex-Assy.(Black)	1	1	2	4	Black-Version
32-a		Film-Name(B410d)	1	-	-	-	B410d
32-b		Film-Name(B410dn)	1	-	-	-	B410dn
38		Spring-FG-Sol	1	-	-	-	
39		Core-Ferrite(FPC)	1	-	-	-	
40		Core-Ferrite(SSC)	1	-	-	-	
41		Core-SSC-45-12	1	-	-	-	
42		Film-Core-Holder	1	-	-	-	

No.	Part No.	Part Name	Q'ty /Unit	Recommended Q'ty/Year			Remarks
				per 500	per 1000	per 2000	
33-a		ID-Unit-TypeB1(ODA)	1	-	-	-	
34-a		Toner-Cartridge-4K-B1(ODA)	1	-	-	-	
36-a		Board-Memory EXP-B430 32MB for Mainte	1	-	-	-	
36-b		Board-Memory EXP-B430 64MB for Mainte	1	-	-	-	
36-c		Board-Memory EXP-B430 128MB for Mainte	1	-	-	-	
36-d		Board-Memory EXP-B430 256MB for Mainte	1	-	-	-	
37-a		Guide-Paper-FU	1	-	-	-	
37-b		Guide-Paper-FU	1	-	-	-	Black-Version
38		TYING CORD	1	1	2	4	

# Base Assy

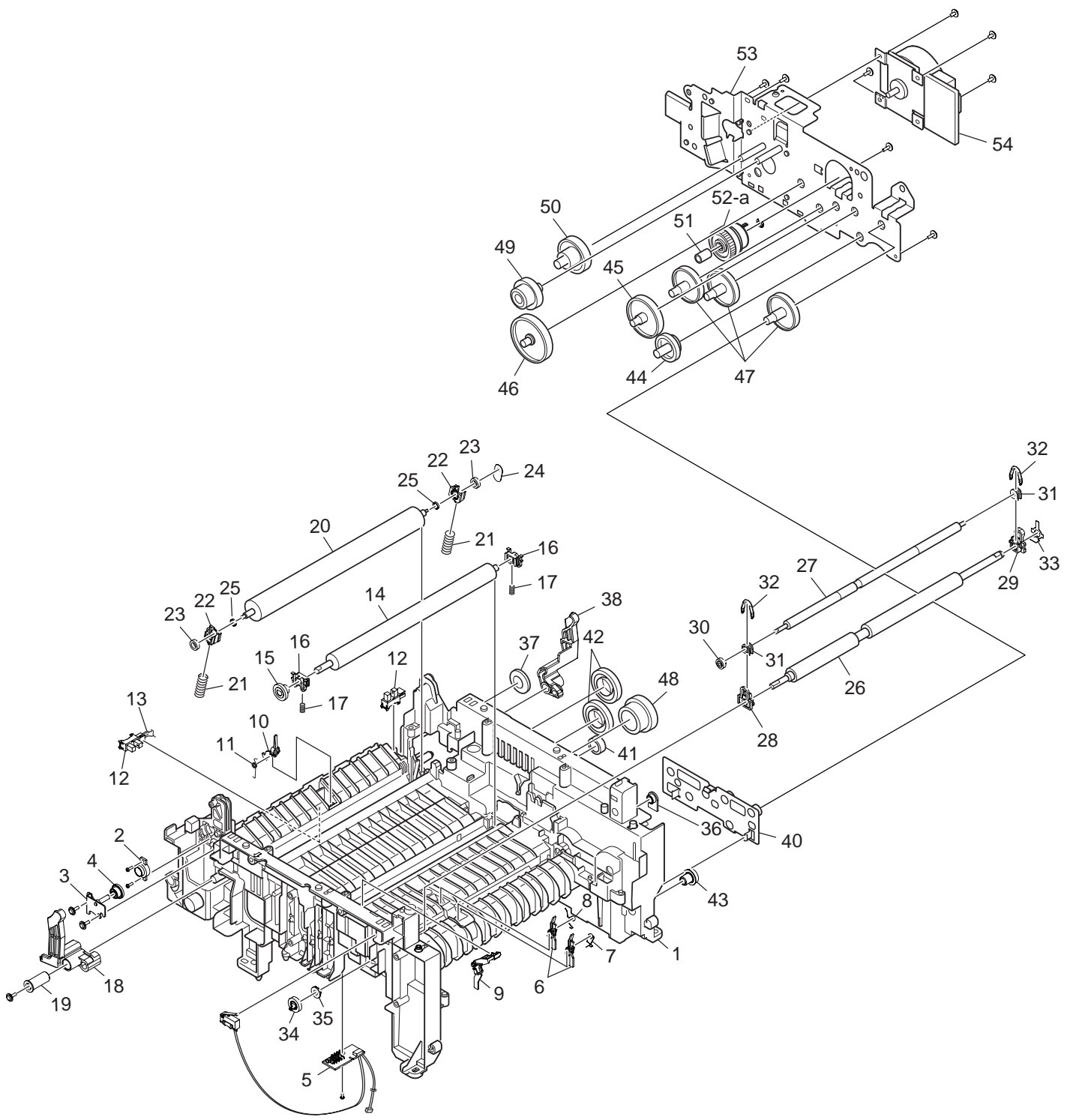


No.	Part No.	Part Name	Q'ty /Unit	Recommended Q'ty/Year			Remarks
				per 500	per 1000	per 2000	
1-b		Guide-Cassette-L	1	-	-	-	Black-Version
2		Rubber-Foot	2	-	-	-	
3		Spring-Lock-Cassette	1	-	-	-	
4-a		Guide-Cassette-R	1	-	-	-	
4-b		Guide-Cassette-R	1	-	-	-	Black-Version
5		9715B-08Z02-G4C	1	1	2	4	
6		Plate-Beam	2	-	-	-	
7	43961301	CONN Cord-AMP8P-AMP8P	1	1	2	4	
8		Spring-Earth	2	-	-	-	
9		Plate-Base	1	-	-	-	
10		Frame-Pick Up-Assy.	1	-	-	-	
11		Spring-PickUp	1	-	-	-	
12	40367101	Bracket-Spring(Sub)	1	-	-	-	
13		Shaft-Hopping	1	-	-	-	
14		Bush	2	-	-	-	
15		KNOCK PIN	1	-	-	-	
16		Gear-Feed	1	-	-	-	
17	43905401	Gear-Assy-Clutch	1	1	2	4	
18		Ring	2	-	-	-	
19	43000601	Roller-Feed-NOW	1	1	2	4	
20	42699401	Roller-Pick-Up	1	1	2	4	
21		Holder-SNS	1	-	-	-	
22		Lever-End	1	-	-	-	
23		Lever-Cassette	1	-	-	-	
24		Lever-Duplex	1	-	-	-	
25	43961501	CONN Cord-AMP7-AMP3PX2	1	1	2	4	

No.	Part No.	Part Name	Q'ty /Unit	Recommended Q'ty/Year			Remarks
				per	per	per	
26	40135301	Photo-Interrupter	2	2	4	8	
27		Thermistor ASSY	1	-	-	-	



# Lower Frame Assy

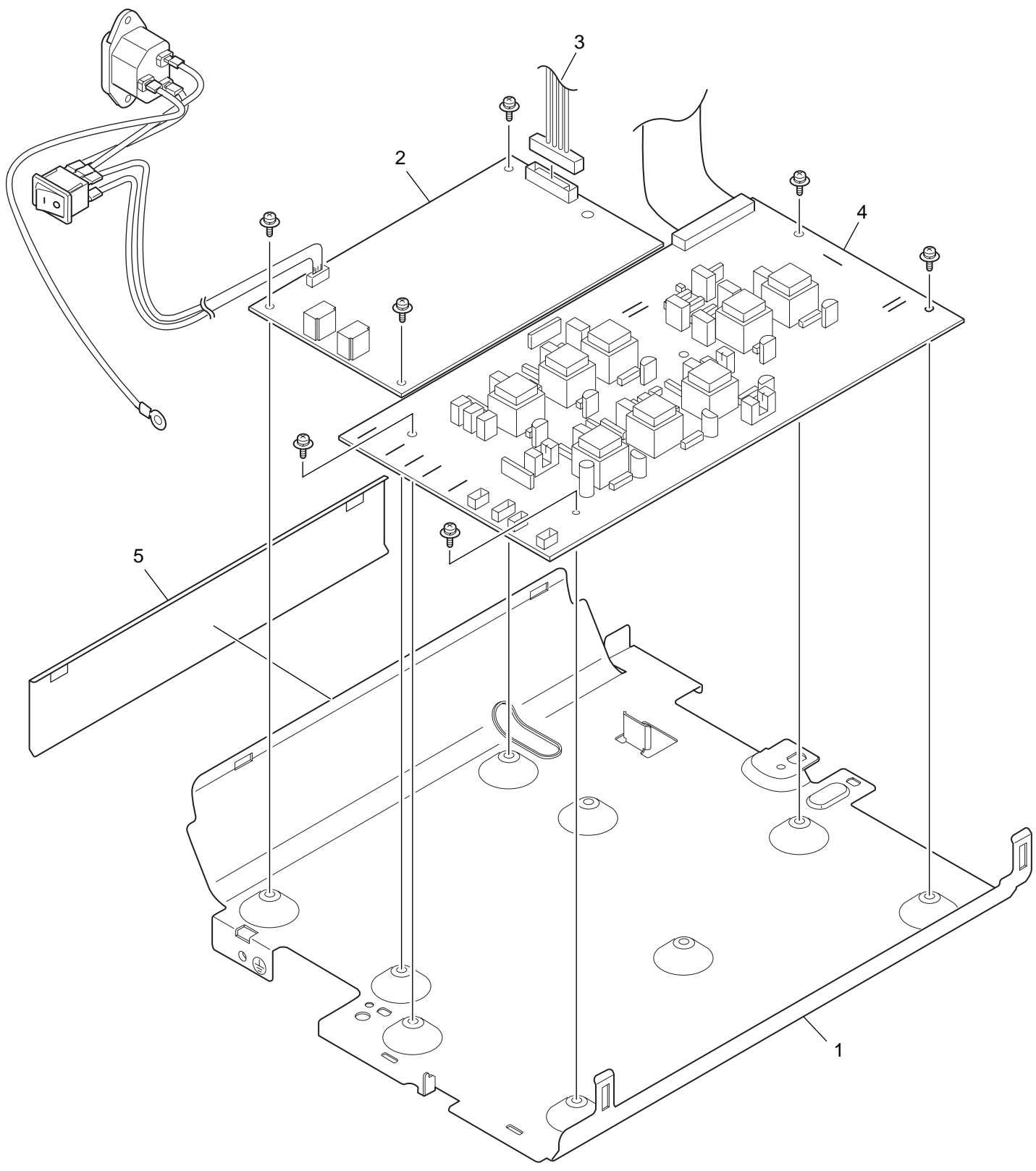


No.	Part No.	Part Name	Q'ty /Unit	Recommended Qty/Year			Remarks
				per 500	per 1000	per 2000	
1	43993401	Frame-SubAssy.-Lower	1	-	-	-	
2	42596601	Damper-Oil	1	-	-	-	
3		Plate-Damper(Culking)	1	-	-	-	
4		DAMPER GEAR	1	-	-	-	
5	43998001	Board-TT1	1	1	2	4	
6	43903301	Lever-In-Sensor	2	2	4	8	
7	42797101	Spring-Sensor_IN	1	1	2	4	
8	41415801	Spring-WriteSensor	1	1	2	4	
9	43993601	Sensor-Toner(Adhesive)	1	1	2	4	
10	43206401	Lever-Eject-Sensor	1	1	2	4	
11	40386501	Spring-SNS(F/R)	1	1	2	4	
12	40135301	Photo-Interrupter	2	-	-	-	
13	43961401	CONN Cord-AMP6P-AMP3PX2	1	1	2	4	
14	43979601	Roller-Transfer(282)	1	1	2	4	
15		Gear-TR-Z23	1	-	-	-	
16	43330101	Bearing-TR	2	2	4	8	
17	43401401	Spring-TR	2	-	-	-	
18	43903601	Lever-Reset-L	1	1	2	4	
19	43598801	Collar-Reset-Lever	1	-	-	-	
20	44009501	OR-Roller-Back up	1	1	2	4	
21	41584101	Spring-Bias	2	-	-	-	
22	43448601	Holder-BU	2	2	4	8	
23	41584201	Bearing-Ball	2	2	4	8	
24		WASHER C	1	1	2	4	
25	43448701	Collar	2	2	4	8	
25	43448702	Collar	2	2	4	8	
26	43903701	Roller-Registration	1	1	2	4	

No.	Part No.	Part Name	Q'ty /Unit	Recommended Qty/Year			Remarks
				per 500	per 1000	per 2000	
27		Roller-Pressure	1	-	-	-	
28	41279501	Holder-Regist L	1	-	-	-	
28		Holder-Regist-L	1	-	-	-	
29	41279601	Holder-Regist R	1	-	-	-	
29		Holder-Regist-R	1	-	-	-	
30	41279801	Gear-Pressure	1	-	-	-	
29		Gear-Pressure	1	-	-	-	
31	41279401	Bearing-Pressure	2	2	4	8	
32		Spring-Tension	2	-	-	-	
33	41280401	Plate-Contact PA	1	-	-	-	
34	41279701	Gear-Regist	1	-	-	-	
35	41279301	Bearing-Regist L	1	1	2	4	
36		BEARING R	1	1	2	4	
37		IDLE GEAR C	1	-	-	-	
38	43904001	Lever-Reset-R	1	1	2	4	
39	43904101	Gear-Idle-Z36	1	-	-	-	
40		Holder-Gear-Idle	1	-	-	-	
41		Gear-Idle-Z14	1	-	-	-	
42		Gear-Idle-Z33	2	-	-	-	
43		Gear-Feed-Z15	1	-	-	-	
44		Gear-Idle-Hop-Z22-33	1	-	-	-	
45		Gear-Idle-Reg-Z20-51	1	-	-	-	
46	43904801	Gear-Idle-Reg-Z30-76	1	-	-	-	
47		Gear-Idle-Z45	3	-	-	-	
48		Gear-Idle-Heat-Z27-55	1	-	-	-	
49		Gear-Idle-Drum-Z24-48	1	-	-	-	
50		Gear-Idle-Drum-Z27-82	1	-	-	-	

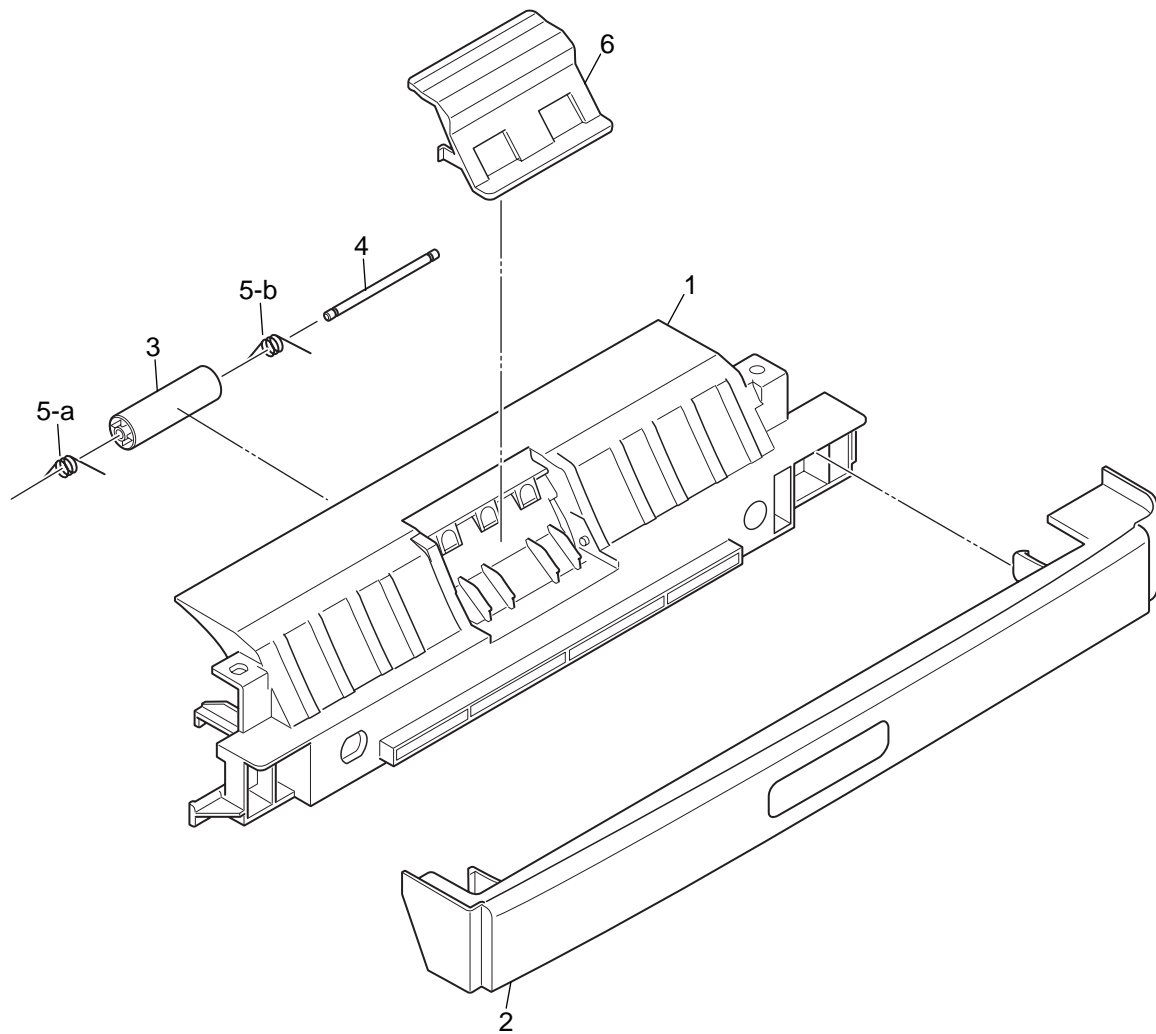
No.	Part No.	Part Name	Q'ty /Unit	Recommended Q'ty/Year			Remarks
				per 500	per 1000	per 2000	
51		Spacer-Clutch	1	-	-	-	
52-a	43905402	Gear-Assy-Clutch	1	1	2	4	Cable color;Blue
52-b	43905403	Gear-Assy-Clutch	1	1	2	4	Cable color;Yellow
53		Plate-Bracket-Motor(Caulking)	1	-	-	-	
54	43906601	Motor-DC-Main	1	1	2	4	

# PCB Assy



No.	Part No.	Part Name	Q'ty /Unit	Recommended Q'ty/Year			Remarks
				per 500	per 1000	per 2000	
1		Plate-Base-P.C.B	1	-	-	-	
2	43932701	PWR unit-ACDC Switch	1	1	2	4	Low voltage power supply board
3	43957601	JST8P-JST8P CONN Cord-Wire	1	1	2	4	
4	43963701	PCB Assy. -87H	1	1	2	4	High voltage power supply board
5	44121001	Film-Guide-Dup	1	1	2	4	

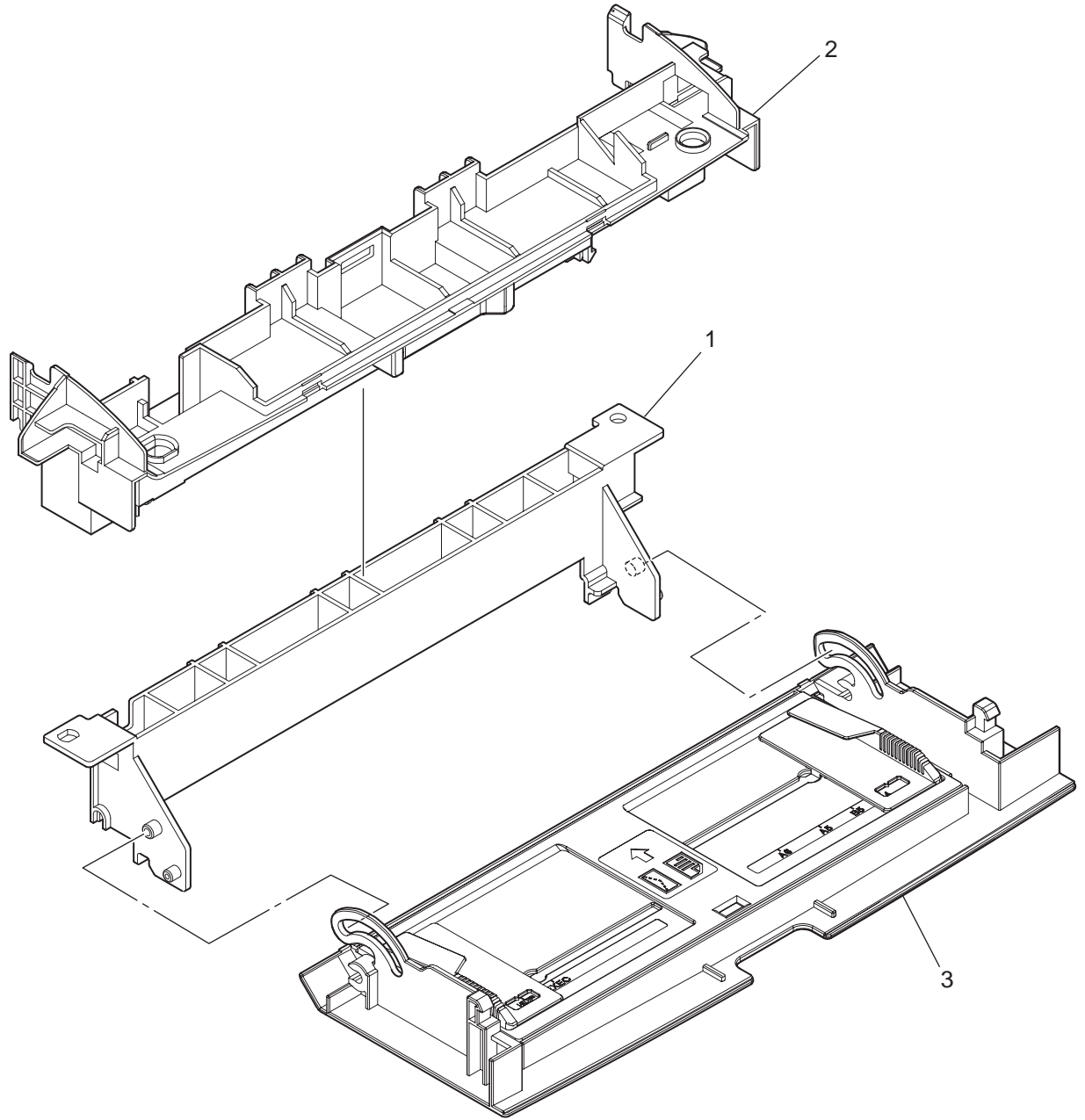
# Front Guide Assy



No.	Part No.	Part Name	Q'ty /Unit	Recommended Q'ty/Year			Remarks
				per 500	per 1000	per 2000	
1-a		Guide-Paper-Front	1	-	-	-	
1-b		Guide-Paper-Front	1	-	-	-	Black-Version
2-a		Cover-Front-Sub	1	-	-	-	
2-b		Cover-Front-Sub	1	-	-	-	Black-Version
3	43222001	Roller-BIAS-FU	3	-	-	-	
3	43355101	Roller-Pinch	1	1	2	4	
4	43906201	Holder-Roller-Feed	3	-	-	-	
4		Shaft-Idle-Dup	1	-	-	-	
5	43906301	Spring-Roller-Feed	3	-	-	-	
5-a		Spring-Torsion-Pinch	1	-	-	-	
5-b		Spring-Torsion-Pinch	1	-	-	-	
6-a		Cover-Paper-Front	1	-	-	-	
6-b		Cover-Paper-Front	1	-	-	-	Black-Version

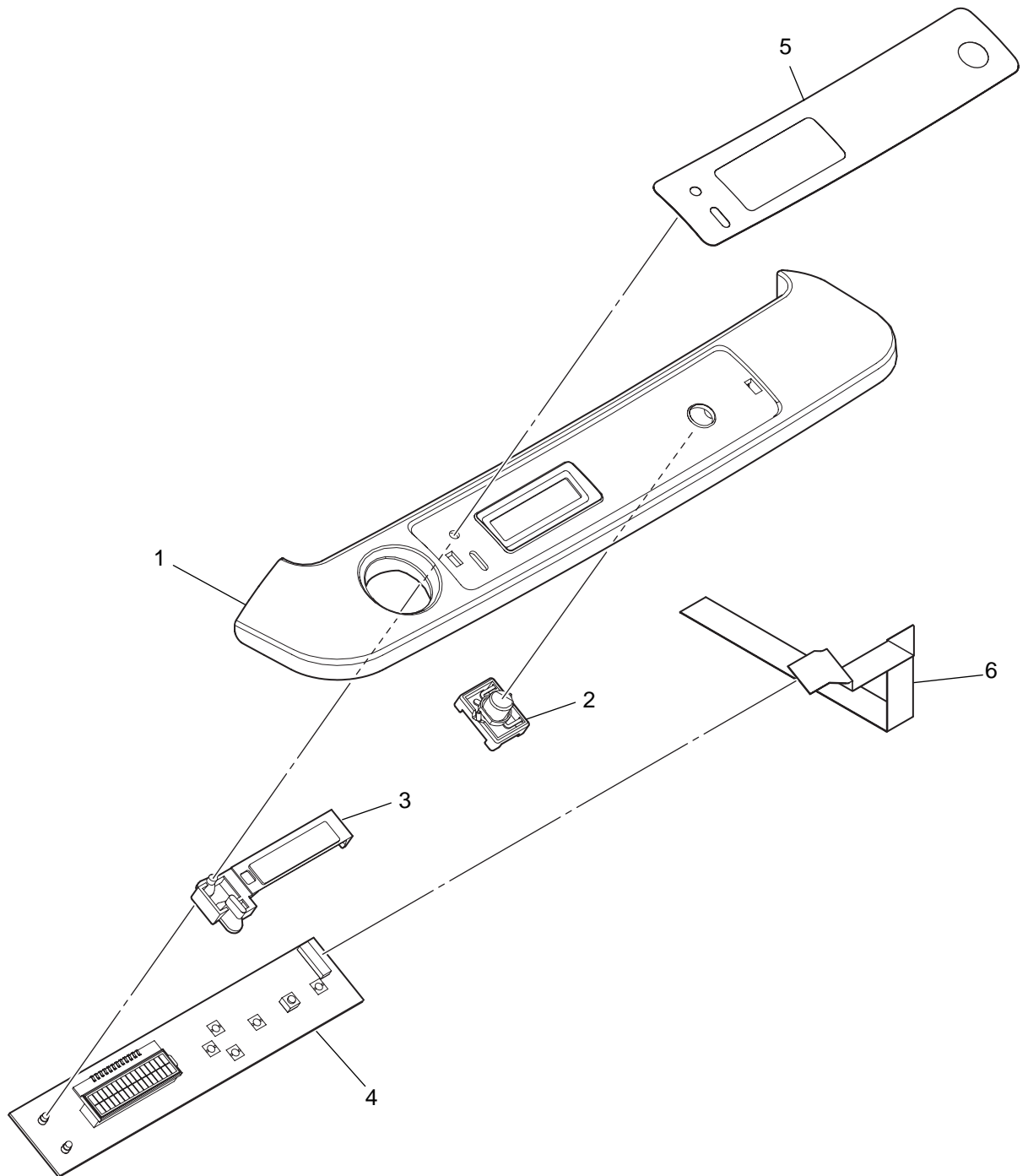


# Manual Feed Assy



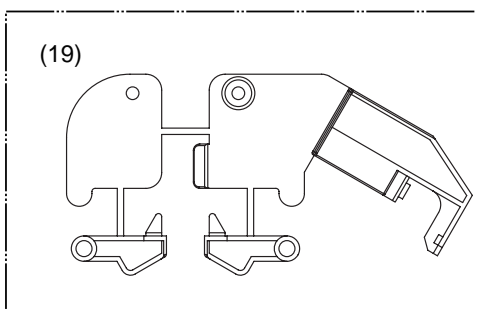
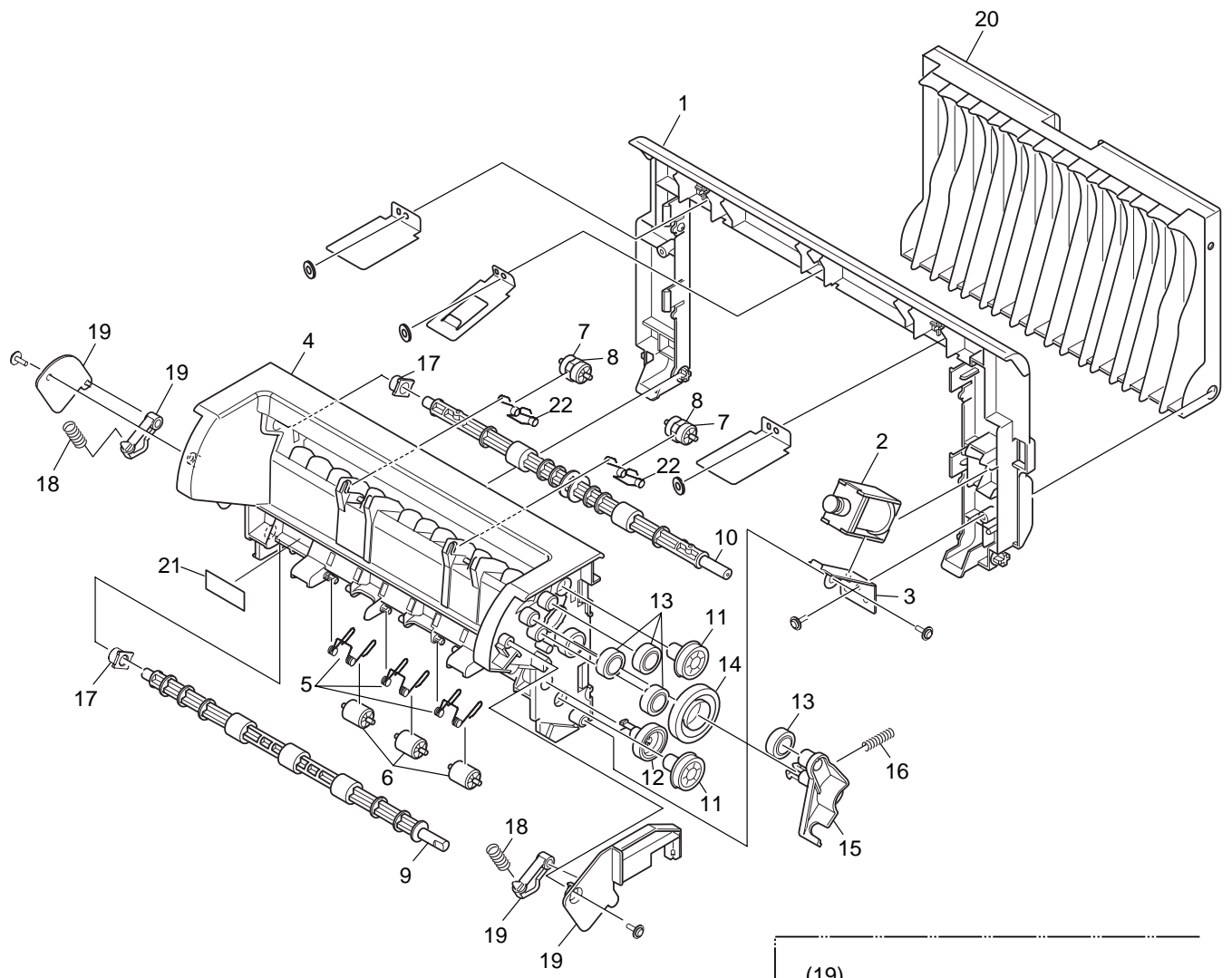
No.	Part No.	Part Name	Q'ty /Unit	Recommended Q'ty/Year			Remarks
				per 500	per 1000	per 2000	
1-a		Frame-Manual	1	-	-	-	
1-b		Frame-Manual	1	-	-	-	Black-Version
2-a		Frame-OPE	1	-	-	-	
2-b		Frame-OPE	1	-	-	-	Black-Version
3-a		Cover-Assy.-Manual	1	-	-	-	
3-b		Cover-Assy.-Manual(Black)	1	-	-	-	Black-Version

# OP Cover Assy



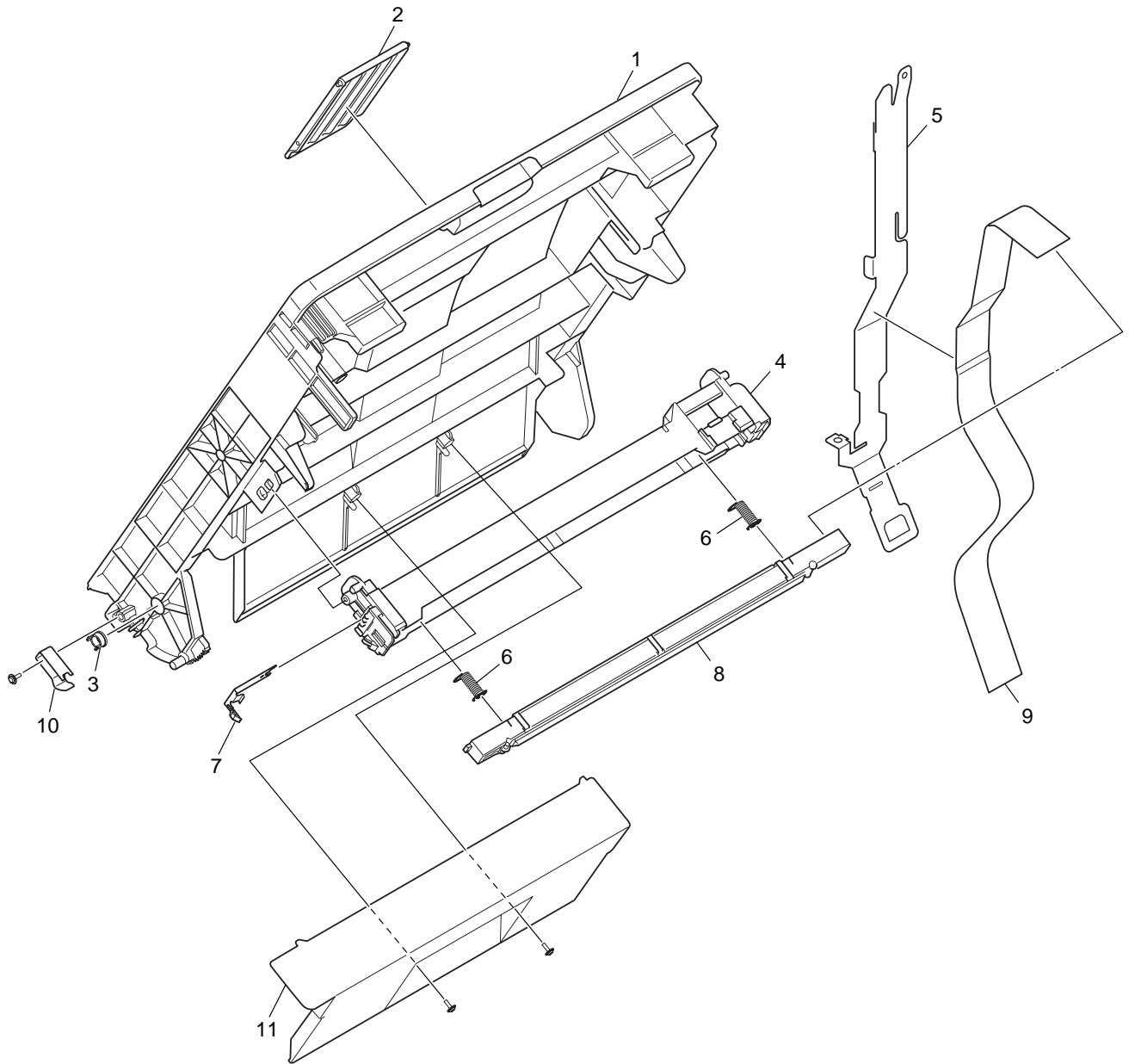
No.	Part No.	Part Name	Q'ty /Unit	Recommended Q'ty/Year			Remarks
				per 500	per 1000	per 2000	
1-a		Cover-OPE	1	-	-	-	
1-b		Cover-OPE	1	-	-	-	Black-Version
2-a		Button-Key	1	-	-	-	
		Button-Key	1	-	-	-	Black-Version
3		Lens-LCD	1	-	-	-	
4-a		Board-87P-3	1	-	-	-	OPE board(ODA/JAPAN)
4-b		Board-87P-4	1	-	-	-	OPE board(OEL/AOS)
5-a		Film-OPE	1	-	-	-	ODA/OEL/AOS
5-b		Film-OPE	1	-	-	-	Japan
5-c		Film-OPE	1	-	-	-	Black-Version
6		FFC cable	1	-	-	-	
6		F14D10X-450XXS1A	1	-	-	-	

# Rear Cover Assy



No.	Part No.	Part Name	Q'ty /Unit	Recommended Q'ty/Year			Remarks
				per 500	per 1000	per 2000	
1-a		Cover-Rear	1	-	-	-	
1-b		Cover-Rear	1	-	-	-	Black-Version
2	43988401	Solenoid	1	1	2	4	
3		Plate-Solenoid	1	-	-	-	
4-a		Guide-Eject	1	-	-	-	
4-b	43909302	Guide-Eject	1	-	-	-	Black-Version
5		Spring-TFD	3	-	-	-	Rev4(Q'ty/Unit 5→3)
6	43222001	Roller-BIAS-FU	3	-	-	-	
7	43222101	Roller-BIAS-FD	2	-	-	-	
8	43649701	Sponge-Roller-FD	1	-	-	-	
8	43207601	Sponge-Roller-FD	2	-	-	-	
9	43995301	Roller-Assy.-Eject(FU)	1	1	2	4	
10	43995401	Roller-Assy.-Eject(FD)	1	1	2	4	
11		Gear-Roller-Eject(Z18)	2	-	-	-	
12		Gear-Idle-Z20	1	-	-	-	
13		Gear-Idle-Z14	4	-	-	-	
14	43904401	Gear-Idle-Z33	1	-	-	-	
15		Holder-Planet-Gear	1	-	-	-	
16	43909101	Spring-Solenoid	1	-	-	-	
17	43222601	Bearing-Eject	2	-	-	-	
18		Spring-Lock-Rear	2	-	-	-	
19-a		Lever-Lock-Rear	1	-	-	-	
19-b		Lever-Lock-Rear	1	-	-	-	Black-Version
20-a		Cover-FaceUp-A	1	-	-	-	
20-b		Cover-FaceUp-A	1	-	-	-	Black-Version
21		Label-Caution-Heat	1	-	-	-	
22		Spring-Torsion-U	2	-	-	-	

# Stacker Cover Assy



No.	Part No.	Part Name	Q'ty /Unit	Recommended Q'ty/Year			Remarks
				per 500	per 1000	per 2000	
1-a		Cover-Stacker	1	-	-	-	
1-b		Cover-Stacker	1	-	-	-	Black-Version
2-a		Cover-Stacker-Sub	1	-	-	-	
2-b		Cover-Stacker-Sub	1	-	-	-	Black-Version
3		Collar-Stacker	1	-	-	-	
4-a	43330801	Holder-Head	1	-	-	-	
4-b	43330802	Holder-Head	1	-	-	-	Black-Version
5		Film-FG	1	-	-	-	
6	43467601	Spring-Head	2	-	-	-	
7	43330901	Contact-Head	1	-	-	-	
8	43406901	LED Head Unit-51STB	1	1	2	4	
9		FFC cable	1	-	-	-	
9		F14D24X-450XXS1A	1	-	-	-	
10		Spring-ID_Lock	1	-	-	-	
11-a		Cover-HR	1	-	-	-	
11-b		Cover-HR	1	-	-	-	Black-Version