

# B2520/B2540

## Spare Parts

# Illustration Manual

070907A

---

---

# ILLUSTRATED PART LIST

---

---

## CONTENTS

|                                   |    |
|-----------------------------------|----|
| <b>USING THE PART LIST TABLES</b> | 3  |
| TABLE COLUMNS                     | 3  |
| SPARE PARTS ORDERING              | 3  |
| <b>FIGURE 1</b>                   | 4  |
| Terminal Assembly                 | 5  |
| <b>FIGURE 2</b>                   | 6  |
| Basic Terminal assembly           | 7  |
| <b>FIGURE 3</b>                   | 8  |
| Printer equiped                   | 9  |
| <b>FIGURE 4</b>                   | 10 |
| Equiped interface                 | 11 |
| <b>FIGURE 5</b>                   | 12 |
| Flat bed scanner assembly         | 13 |
| <b>FIGURE 6</b>                   | 14 |
| CIS support                       | 15 |
| <b>FIGURE 7</b>                   | 16 |
| Flap equiped                      | 17 |
| <b>FIGURE 8</b>                   | 18 |
| Inside paper way assembly         | 19 |
| <b>FIGURE 9</b>                   | 22 |
| Paper tray unit                   | 23 |
| <b>FIGURE 10</b>                  | 24 |
| Paper regist                      | 25 |
| <b>FIGURE 11</b>                  | 26 |
| Fusing unit                       | 27 |
| <b>FIGURE 12</b>                  | 28 |
| Electric parts                    | 29 |

## 1. USING THE PART LIST TABLES

### 1.1 TABLE COLUMNS

- ITEM NUMBER column: number of the item illustrated on the corresponding figure.  
**Note 1:** An item number preceded by a hyphen "-" is a non-illustrated item.  
**Note 2:** An item may be illustrated in a figure without being listed in the corresponding part list: such an article cannot be replaced other than by replacing the subassembly of which it is part.
- REFERENCE column : Part number.
- DESIGNATION column : description of the item.
- QTY column : quantity.
- R column : repairability.  
The letter R indicates that an item is repairable in the workshop.

### 1.2 SPARE PARTS ORDERING

When ordering spares parts, please state:

- the name of the equipment, its part number and its serial number (on manufacturer's nameplate).
- the designation of the part as given in the parts list.  
Example: Right cover,
- the part number.  
Example: 25122752.

It is also recommended to state the reference of the document in which the part number has been found.

Orders for spare parts and related correspondence (requests for prices, delivery details, invoicing, etc.) are to be addressed to:

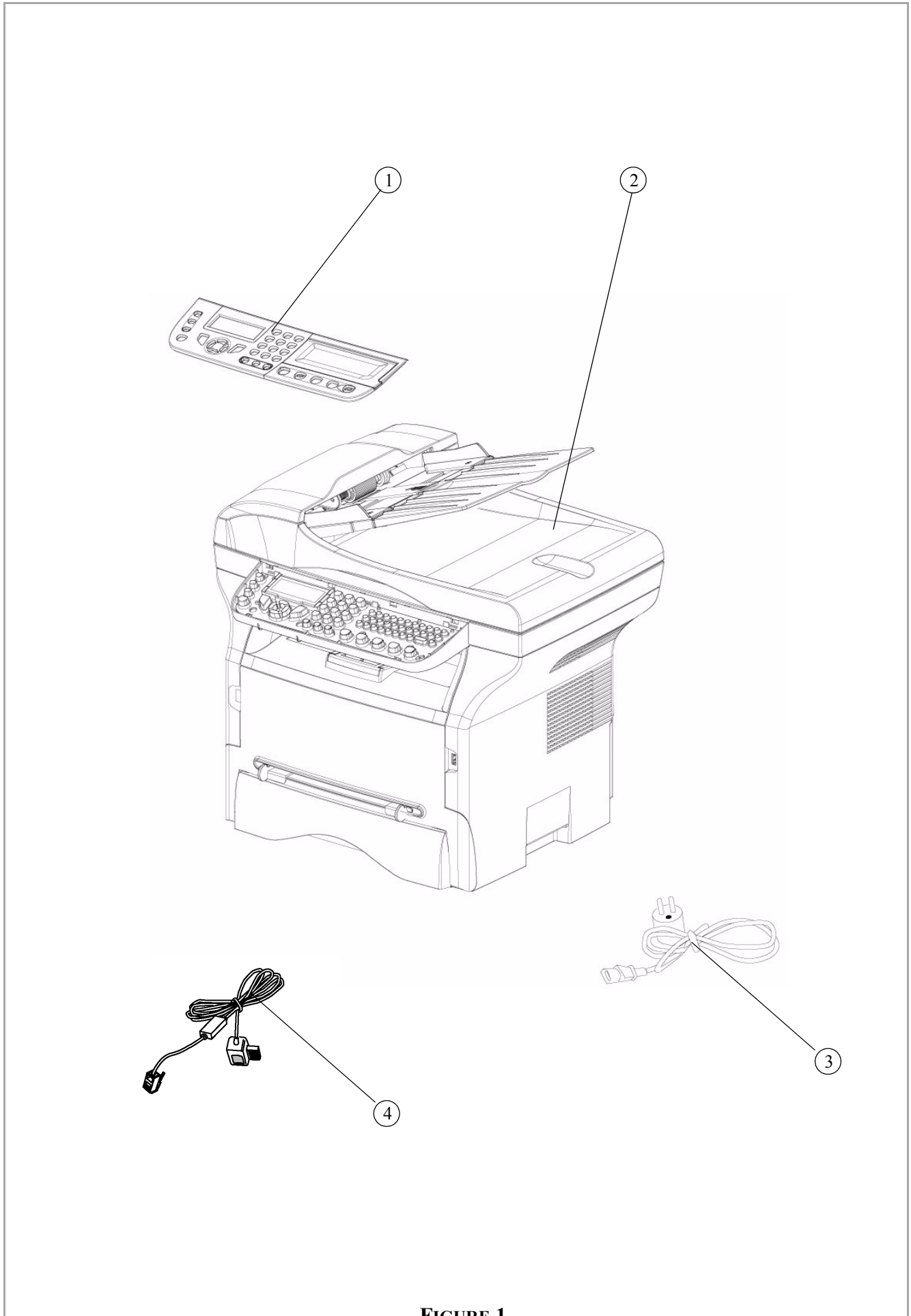


FIGURE 1

| ITEM No.          | REFERENCE | DESIGNATION                            | QTY      | R |
|-------------------|-----------|--|----------|---|
| 1                 | 50235401  | Front panel                            | 1        |   |
| 2                 |           | Terminal basic assembly (see figure 2) | 1        |   |
| 3                 |           | AC Power cord                          | 1        |   |
| 4                 |           | Telephone line cord                    | 1        |   |
| Terminal Assembly |           |  | FIGURE 1 |   |

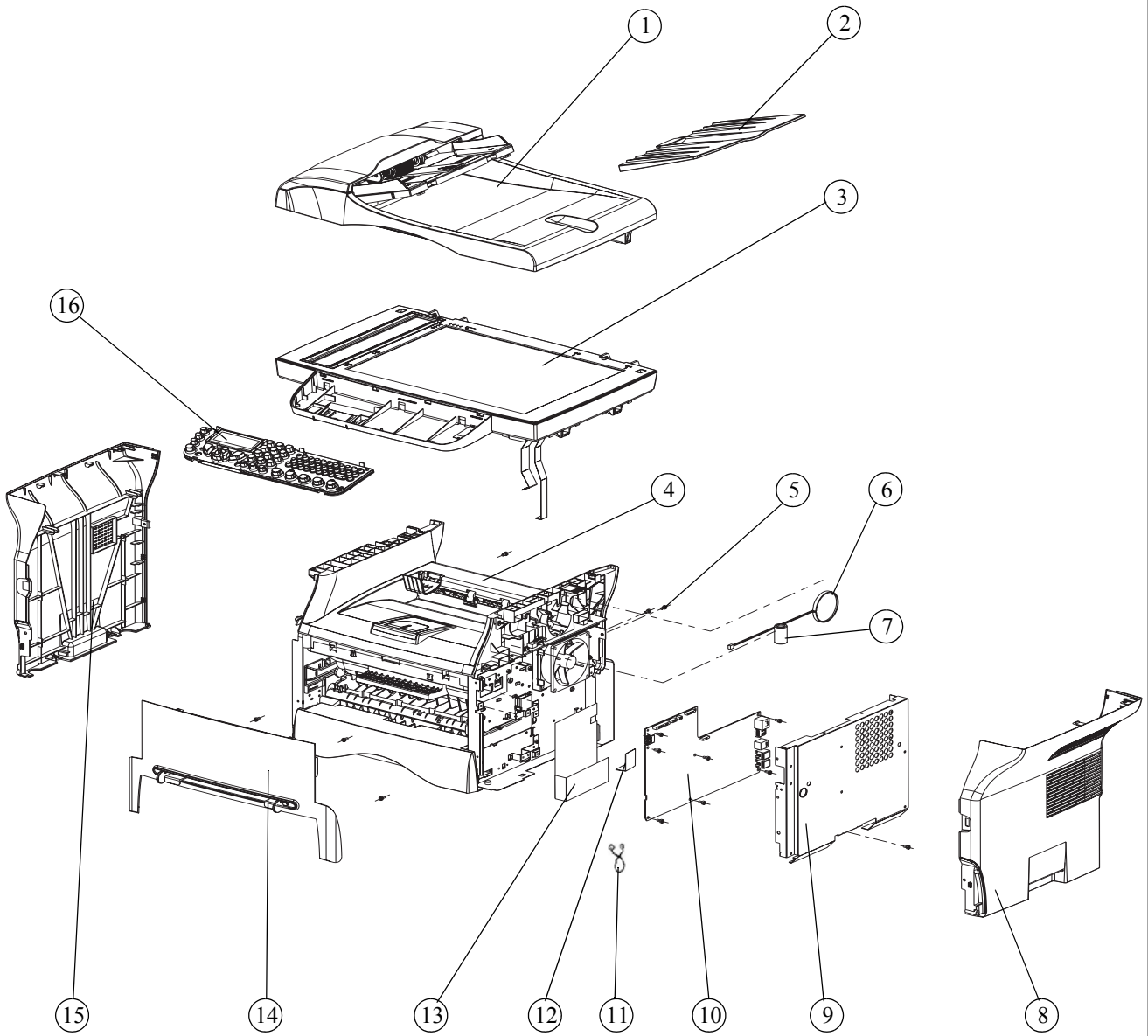


FIGURE 2

| ITEM No.                | REFERENCE            | DESIGNATION                                    | QTY      | R |
|-------------------------|----------------------|--|----------|---|
| 1                       |                      | Flap equiped (see figure 7)                    | 1        |   |
| 2                       | 50235501             | ADF doc tray D7N colored                       | 1        |   |
| 3                       | 50236401             | Flat bed scanner assembly (see figure 5)       | 1        |   |
| 4                       |                      | Equiped printer (see figure 3)                 | 1        |   |
| 5                       |                      | Screw 3X6                                      | 15       |   |
| 6                       |                      | Loud speaker                                   | 1        |   |
| 7                       | 56641672             | Ferrite sensor wires and motor wires           | 1        |   |
| 8                       | 53090414             | Right printer cover colored                    | 1        |   |
| 9                       |                      | Bracket ctl a v                                | 1        |   |
| 10                      | 55094201<br>55094301 | Main PCB board(B2520)<br>Main PCB board(B2540) | 1        |   |
| 11                      |                      | Serre câbles Twist-lok nylon                   | 1        |   |
| 12                      |                      | Capacitor mylar                                | 1        |   |
| 13                      |                      | Security mylar                                 | 1        |   |
| 14                      | 53359501             | Printer front door assembly                    | 1        |   |
| 15                      | 53090422             | Left printer cover colored                     | 1        |   |
| 16                      |                      | Front panel support assy                       | 1        |   |
| Basic Terminal assembly |                      |  | FIGURE 2 |   |

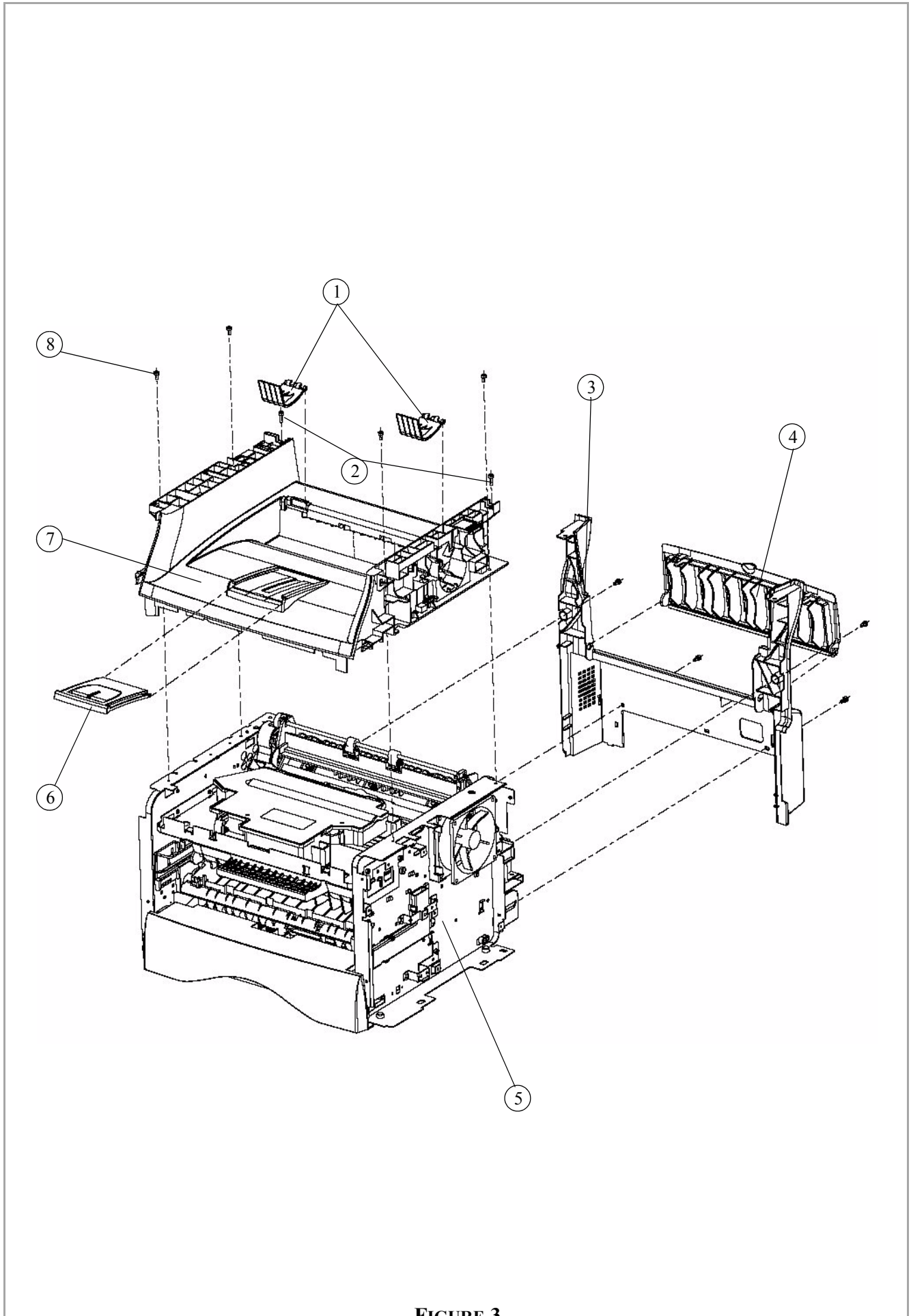


FIGURE 3



| ITEM No.        | REFERENCE | DESIGNATION                      | QTY | R        |
|-----------------|-----------|----------------------------------|-----|----------|
| 1               | 51032302  | Printer exit paper guide         | 2   |          |
| 2               |           | PT screw M3*10                   | 2   |          |
| 3               | 53090401  | Printer back cover colored       | 1   |          |
| 4               |           | Cover rear                       | 1   |          |
| 5               |           | Printer                          | 1   |          |
| 6               | 50235618  | Tray exit+ extend                | 1   |          |
| 7               |           | Interface equiped (see figure 4) | 1   |          |
| 8               |           | Screw autar. M3x6 steel swch16A  | 6   |          |
| Printer equiped |           |                                  |     | FIGURE 3 |

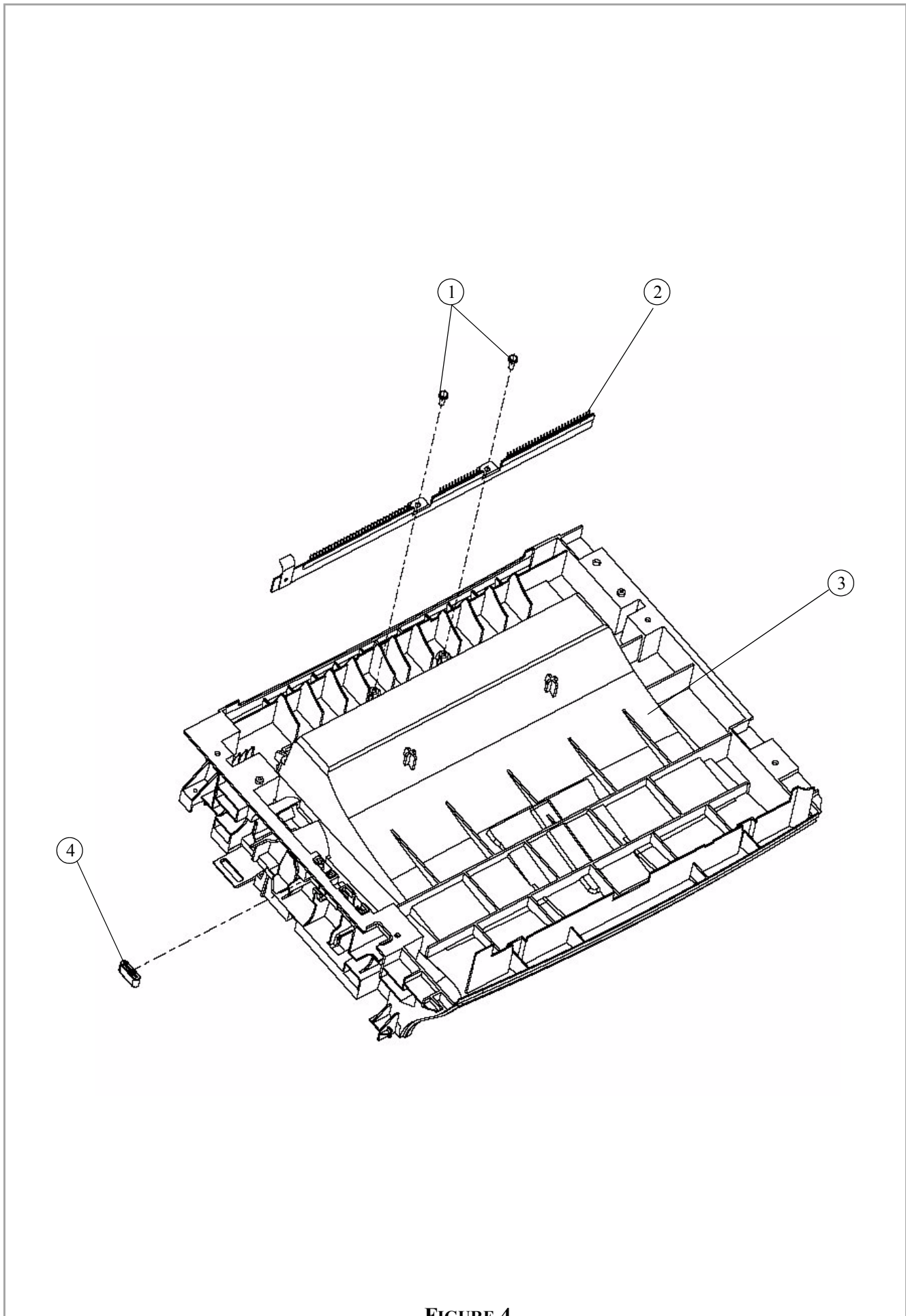


FIGURE 4

| ITEM No.          | REFERENCE | DESIGNATION                   | QTY      | R |
|-------------------|-----------|-------------------------------|----------|---|
| 1                 |           | PT screw M3*10                | 2        |   |
| 2                 | 51511094  | Discharge brush               | 1        |   |
| 3                 |           | Interface colored             | 1        |   |
| 4                 | 56641542  | Ferrite flat cable CIS 12 pin | 1        |   |
| Equiped interface |           |                               | FIGURE 4 |   |

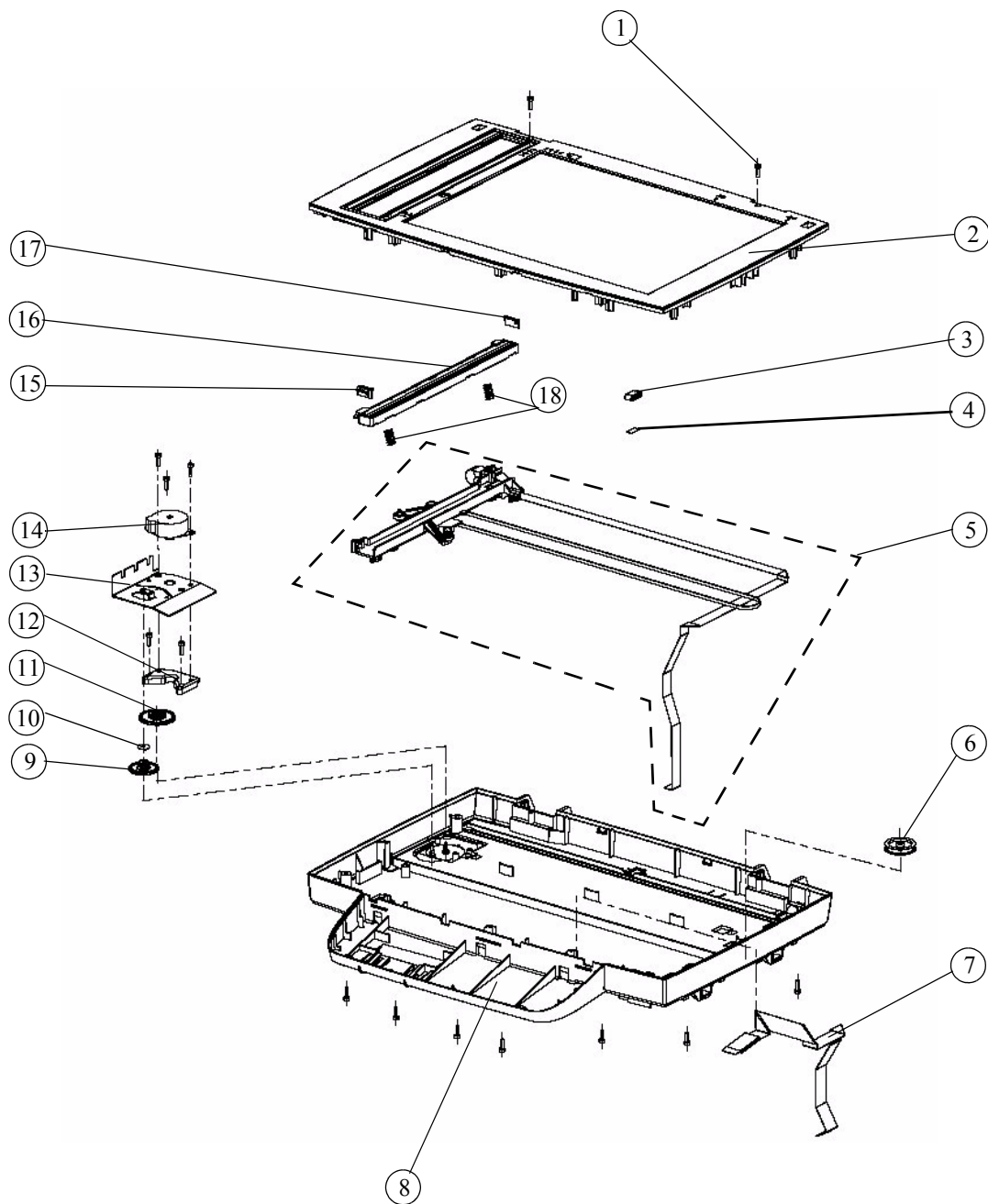


FIGURE 5

| ITEM No.                  | REFERENCE | DESIGNATION                          | QTY      | R |
|---------------------------|-----------|--------------------------------------|----------|---|
| 1                         |           | PT screw 3x10                        | 14       |   |
| 2                         | 53359401  | Scanner frame assembly               | 1        |   |
| 3                         | 56641542  | Ferrite flat cable CIS 12 pin        | 1        |   |
| 4                         |           | CIS ferrite & flat cable D-tape 13mm | 3        |   |
| 5                         | 50519008  | CIS support (see figure 6)           | 1        |   |
| 6                         | 51256104  | CIS drive pulley colored             | 1        |   |
| 7                         | 56642601  | Console cord 16 pin                  | 1        |   |
| 8                         |           | Scanner bottom colored               | 1        |   |
| 9                         |           | Scanner gear 55 teeth colored        | 1        |   |
| 10                        |           | CIS drive disc colored               | 1        |   |
| 11                        |           | Scanner gear 32/70 teeth colored     | 1        |   |
| 12                        |           | CIS drive adaptador colored          | 1        |   |
| 13                        |           | CIS drive heat sink                  | 1        |   |
| 14                        | 56523114  | Stepper motor scanner                | 1        |   |
| 15                        | 51032424  | CIS slider left colored              | 1        |   |
| 16                        | 56642801  | CIS DL515 sp                         | 1        |   |
| 17                        | 51032432  | CIS slider right colored             | 1        |   |
| 18                        | 50937401  | CIS spring                           | 2        |   |
| Flat bed scanner assembly |           |                                      | FIGURE 5 |   |

Bottom view

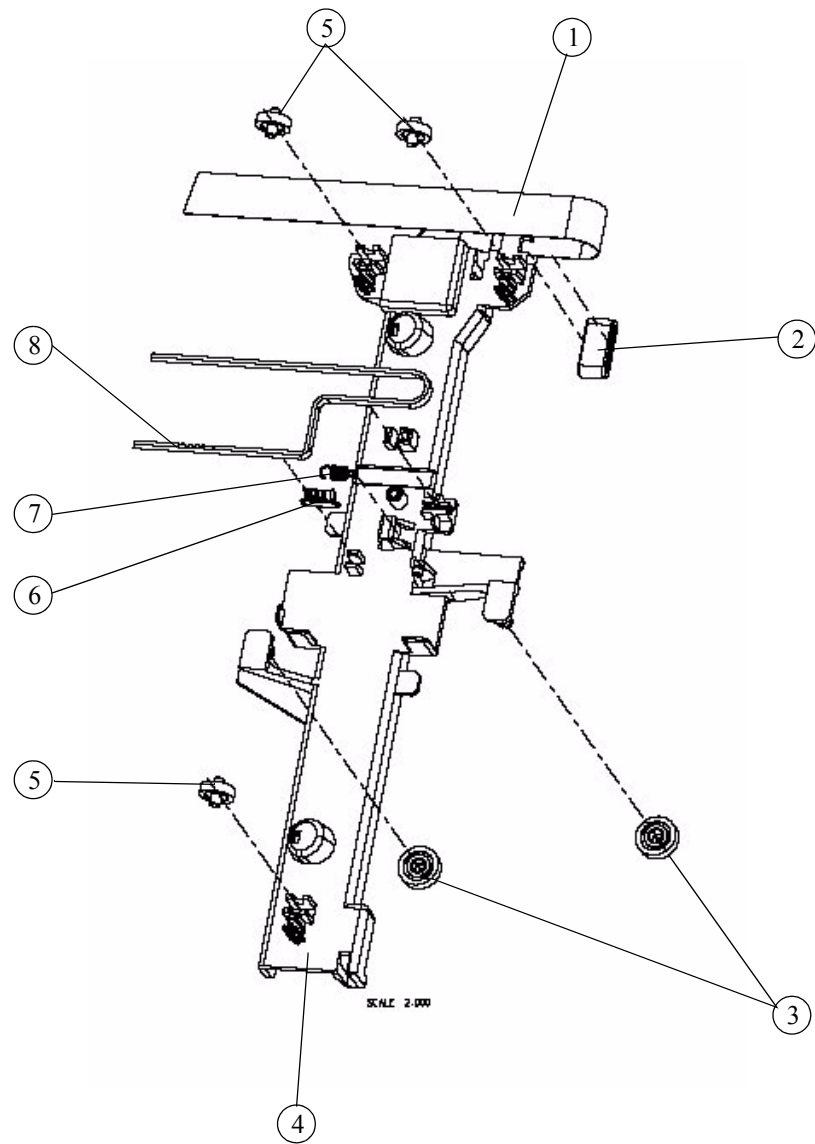


FIGURE 6

| ITEM No.    | REFERENCE | DESIGNATION                   | QTY      | R |
|-------------|-----------|-------------------------------|----------|---|
| 1           |           | CIS flap cable 12 pin         | 1        |   |
| 2           |           | Ferrite flat cable CIS 12 pin | 1        |   |
| 3           |           | CIS central roller colored    | 2        |   |
| 4           |           | CIS support colored           | 1        |   |
| 5           |           | CIS lateral roller colored    | 3        |   |
| 6           |           | CIS drive belt connection     | 1        |   |
| 7           |           | CIS belt spring               | 1        |   |
| 8           |           | CIS drive belt                | 1        |   |
| CIS support |           |                               | FIGURE 6 |   |

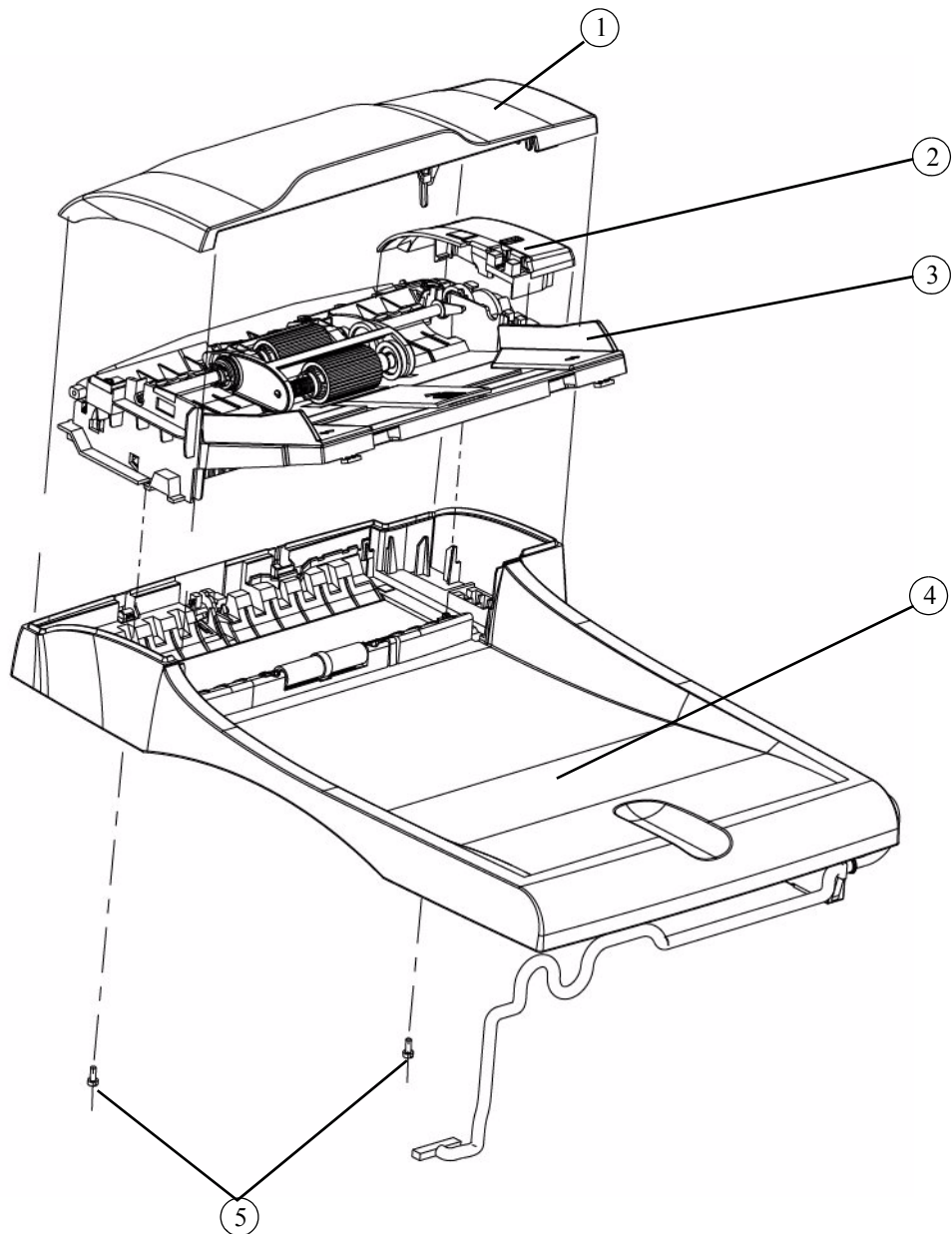


FIGURE 7



| ITEM No.     | REFERENCE | DESIGNATION                              | QTY      | R |
|--------------|-----------|--|----------|---|
| 1            |           | ADF cover assembly                       | 1        |   |
| 2            |           | Motor cover colored                      | 1        |   |
| 3            | 50235701  | Inside paper way assembly (see figure 8) | 1        |   |
| 4            |           | Flap assembly                            | 1        |   |
| 5            |           | 3x8 self tap. screw large for head plas  | 2        |   |
| Flap equiped |           |  | FIGURE 7 |   |

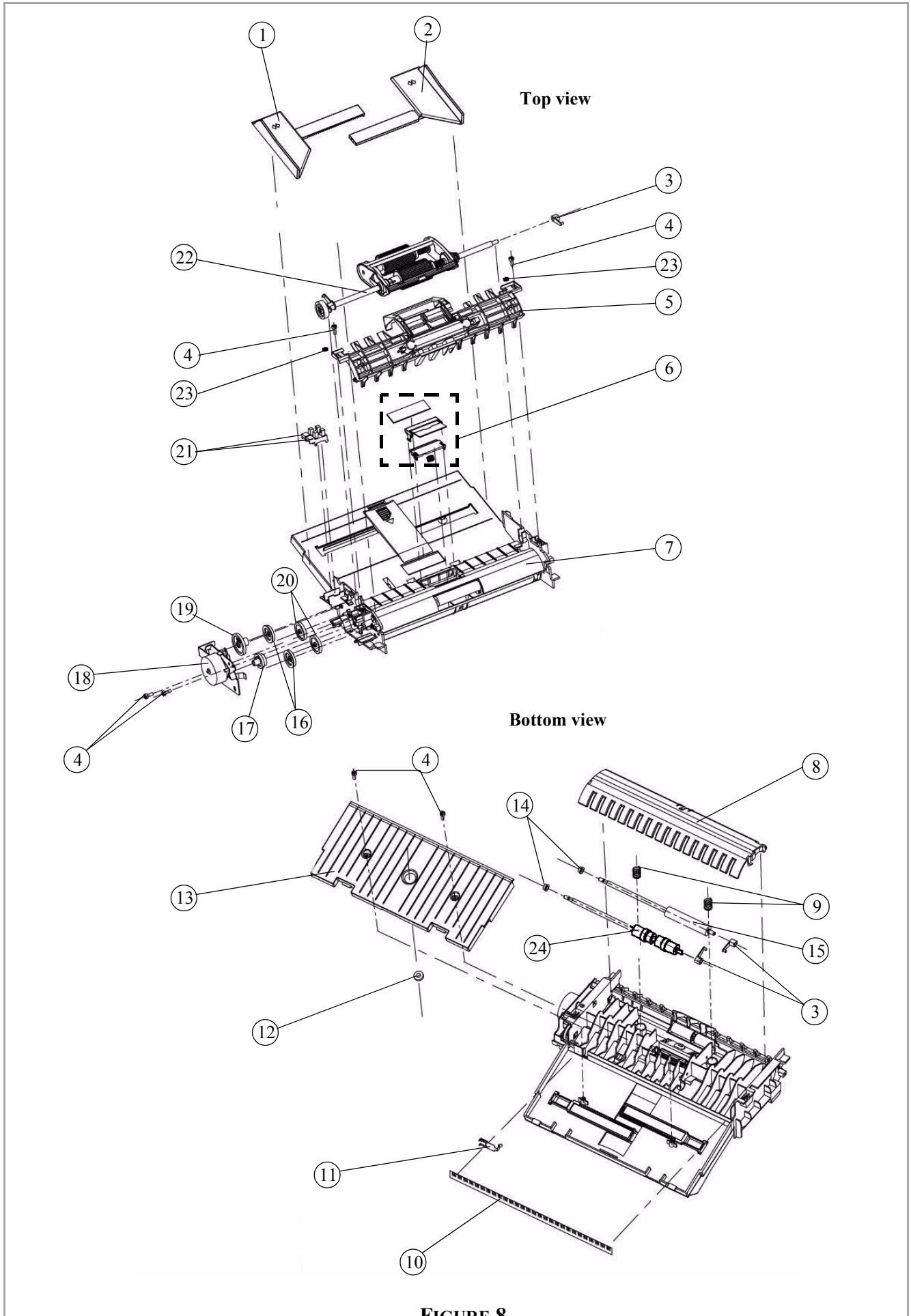


FIGURE 8

| ITEM No.                  | REFERENCE | DESIGNATION                             | QTY      | R |
|---------------------------|-----------|---|----------|---|
| 1                         | 50235804  | ADF slider left D7N colored             | 1        |   |
| 2                         |           | ADF slider right D7N colored            | 1        |   |
| 3                         |           | roller bearing turning colored          | 3        |   |
| 4                         |           | 3X8 self tap.screw large for head plas  | 6        |   |
| 5                         |           | Upper paper guide assembly              | 1        |   |
| 6                         |           | ADF assembly kit                        | 1        |   |
| 7                         |           | Paper input guide colored               | 1        |   |
| 8                         |           | White frame plate colored               | 1        |   |
| 9                         |           | White frame plate spring                | 2        |   |
| 10                        |           | Brosse antistatique auto adhésive 225mm | 1        |   |
| 11                        |           | Brush ground plate                      | 1        |   |
| 12                        |           | Gear doc tray colored                   | 1        |   |
| 13                        |           | ADF wheelbox D7N colored                | 1        |   |
| 14                        |           | Analyse roller bearing colored          | 2        |   |
| 15                        | 53359309  | Analysis roller                         | 1        |   |
| 16                        |           | 38 teeth analysis roller gear colored   | 2        |   |
| 17                        |           | 27-33 teeth gear colored                | 1        |   |
| 18                        |           | Motor frame assembly                    | 1        |   |
| Inside paper way assembly |           |   | FIGURE 8 |   |

| <b>ITEM No.</b>           | <b>REFERENCE</b> | <b>DESIGNATION</b>                | <b>QTY</b> | <b>R</b> |
|---------------------------|------------------|-----------------------------------|------------|----------|
| 19                        |                  | 16-51 teeth gear colored          | 1          |          |
| 20                        |                  | 42 teeth gear colored             | 2          |          |
| 21                        |                  | Photo interrupter opic GP1A73A sp | 2          |          |
| 22                        |                  | Feeder assembly                   | 1          |          |
| 23                        |                  | Rondelle M3x0,6 acier zingue      | 1          |          |
| 24                        |                  | Analysis roller assy with foam    | 1          |          |
| Inside paper way assembly |                  |                                   | FIGURE 8   |          |

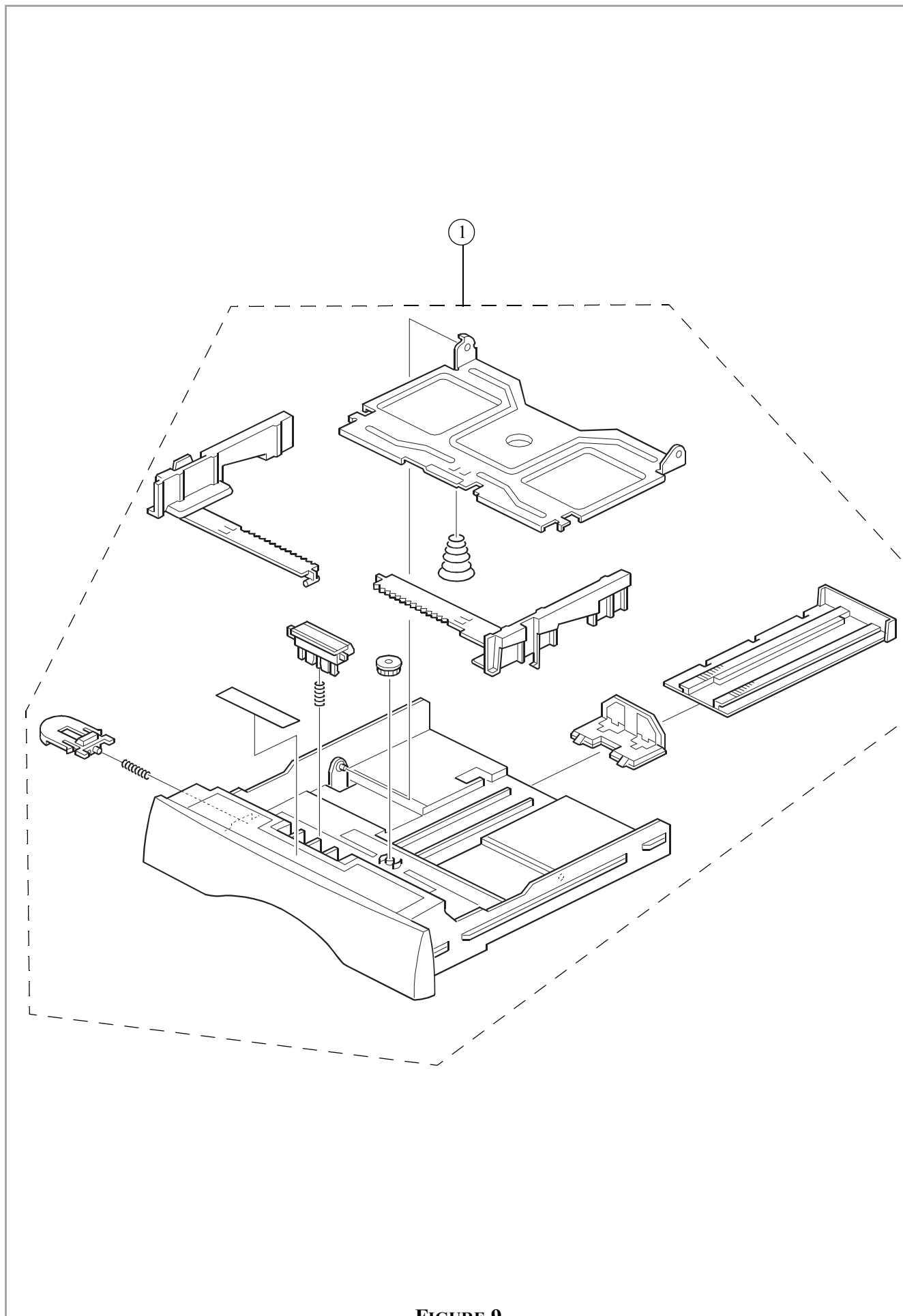


FIGURE 9

| ITEM No.        | REFERENCE | DESIGNATION     | QTY      | R |
|-----------------|-----------|-----------------|----------|---|
| 1               | 50235101  | Paper tray unit | 1        |   |
| Paper tray unit |           |                 | FIGURE 9 |   |

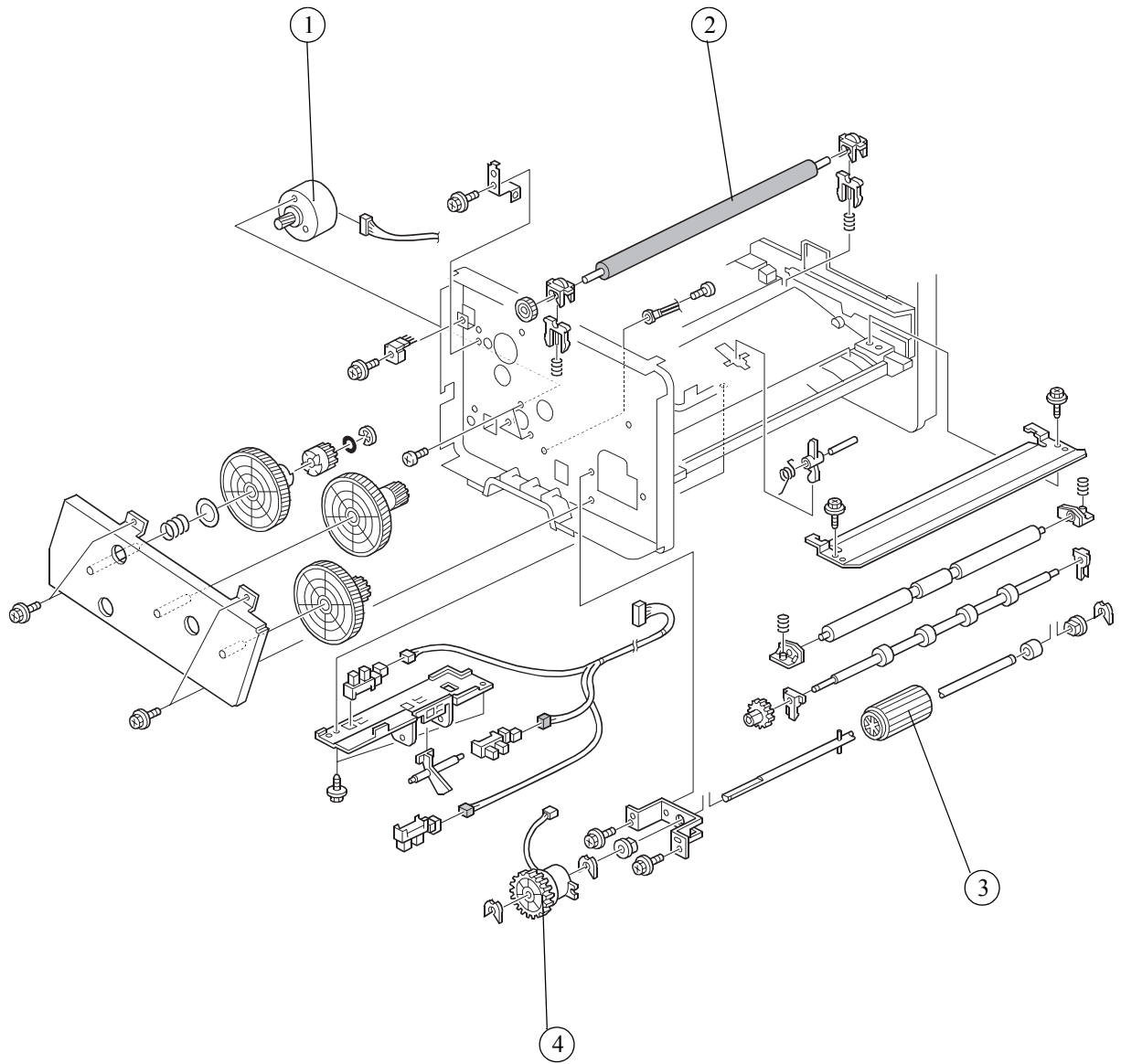


FIGURE 10

| <b>ITEM No.</b> | <b>REFERENCE</b> | <b>DESIGNATION</b>       | <b>QTY</b> | <b>R</b> |
|-----------------|------------------|--------------------------|------------|----------|
| 1               | 56522901         | Brushless motor - DC24V  | 1          |          |
| 2               | 53359101         | Transfer roller          | 1          |          |
| 3               | 53359201         | Paper feed roller - MM32 | 1          |          |
| 4               | 51402401         | Magnetic clutch -43z     | 1          |          |
| Paper regist    |                  |                          | FIGURE 10  |          |



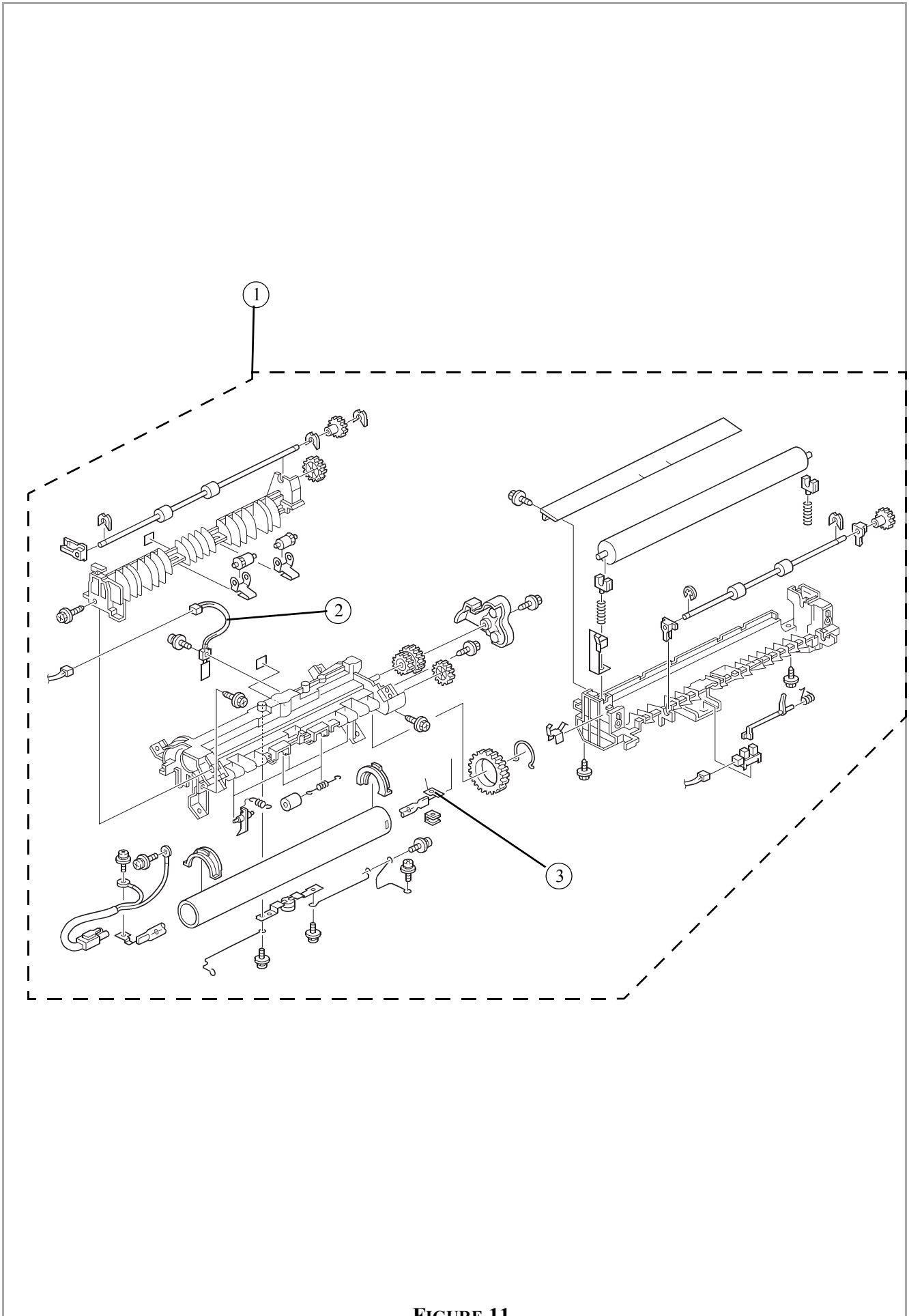


FIGURE 11

| ITEM No.    | REFERENCE | DESIGNATION       | QTY       | R |
|-------------|-----------|-------------------|-----------|---|
| 1           | 50235201  | Fusing unit       | 1         |   |
| 2           |           | Fusing thermistor | 1         |   |
| 3           |           | Heater - 600W     | 1         |   |
| Fusing unit |           |                   | FIGURE 11 |   |

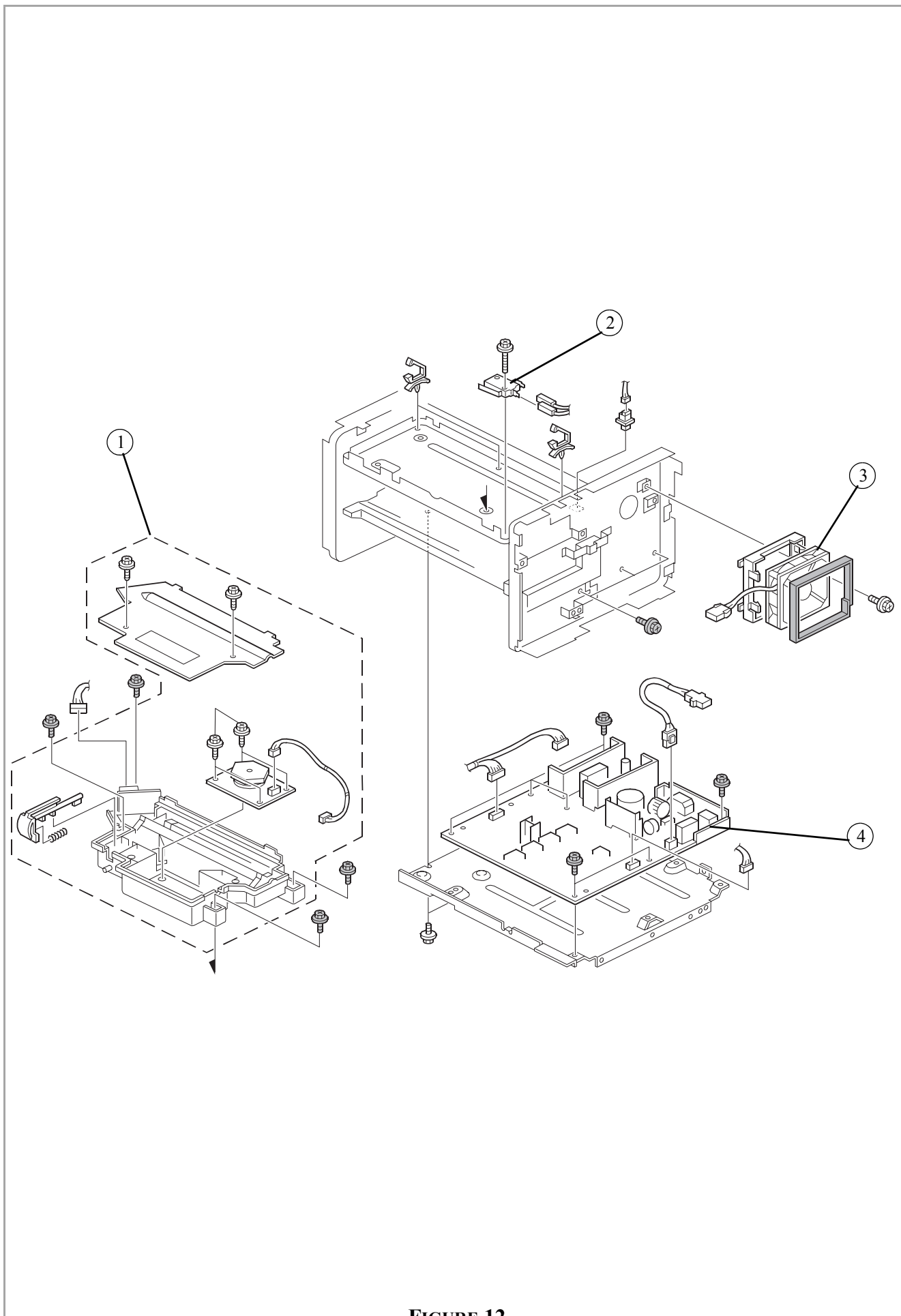


FIGURE 12

| ITEM No. | REFERENCE | DESIGNATION       | QTY | R |
|----------|-----------|-------------------|-----|---|
| 1        | 50235301  | Laser unit        | 1   |   |
| 2        | 56215701  | Micro switch      | 1   |   |
| 3        | 56523001  | Fan motor         | 1   |   |
| 4        | 56420101  | Power Supply unit | 1   |   |
|          |           |                   |     |   |