

C710n

Spare Parts

Illustration Manual

102208A

Copyright © 2008 by Oki Data. All Rights Reserved

Oki Data America's, Inc. ("Oki Data"), authorizes you to view, copy, and print documents published by Oki Data for noncommercial use within your organization only. In consideration of this authorization, you agree and acknowledge that any copy of these documents shall retain all copyright and proprietary rights contained herein. Each document published by Oki Data may contain additional copyright information and proprietary notification relating to that individual document.

Nothing contained herein shall be construed as conferring by estoppel, implication or otherwise any license or right under any patent or trademark of Oki Data, Oki Electric Industry Co., Ltd. ("Oki Electric"), or any third party. Except as provided above nothing contained herein shall be construed as conferring any license or right under any Oki Data copyright.

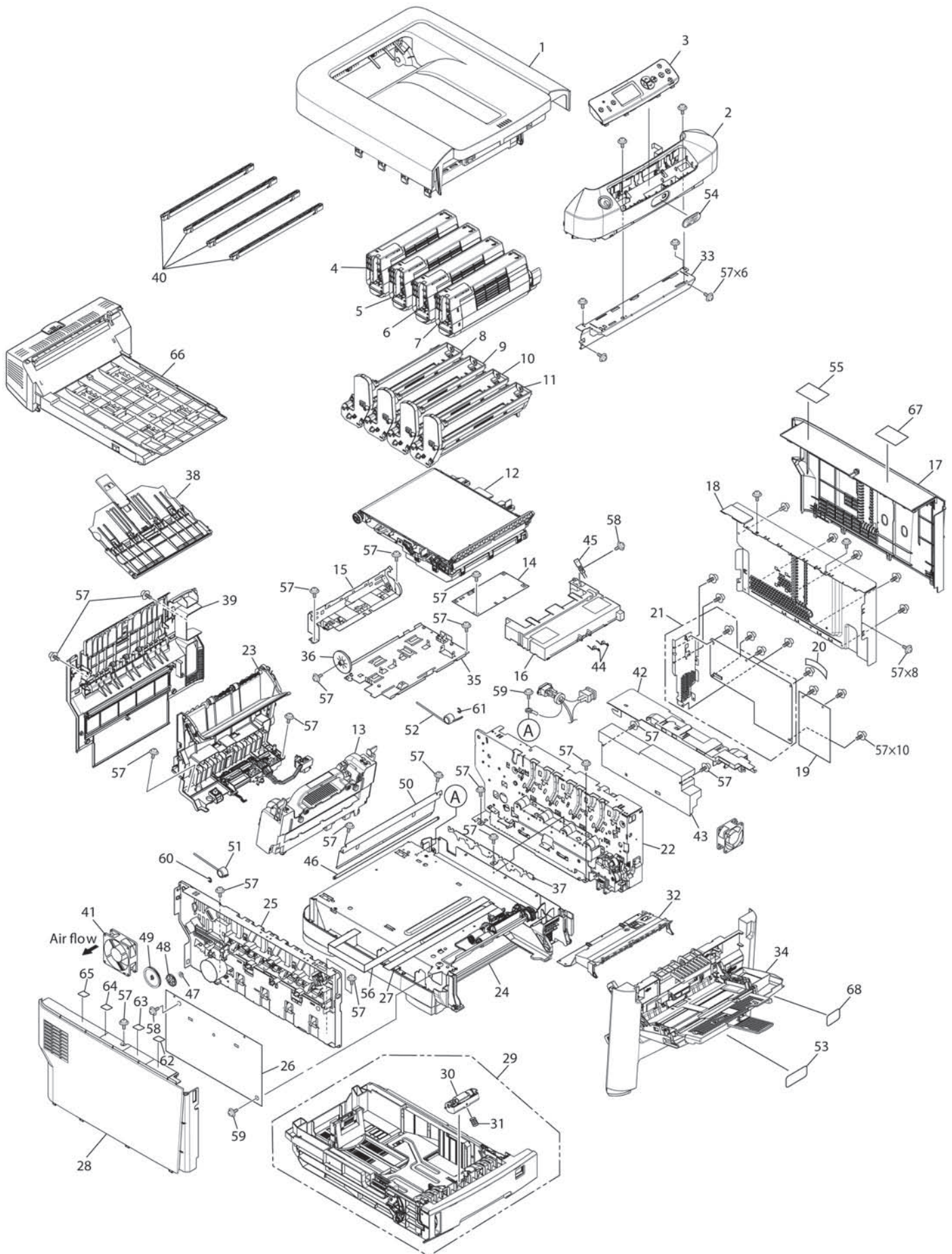
Oki Data has taken care to insure that the information which follows is complete, accurate and up-to-date. However, Oki Data assumes no responsibility for errors or omissions which may occur. All the information provided is subject to change from time to time at the sole discretion of Oki Data.

All publications may include technical inaccuracies or typographical errors. We reserve the right to make periodic changes, additions, and deletions to publications without notice.

The most up-to-date drivers and manuals are available from the web site:

<http://www.okiprintingsolutions.com>

Printer NIP



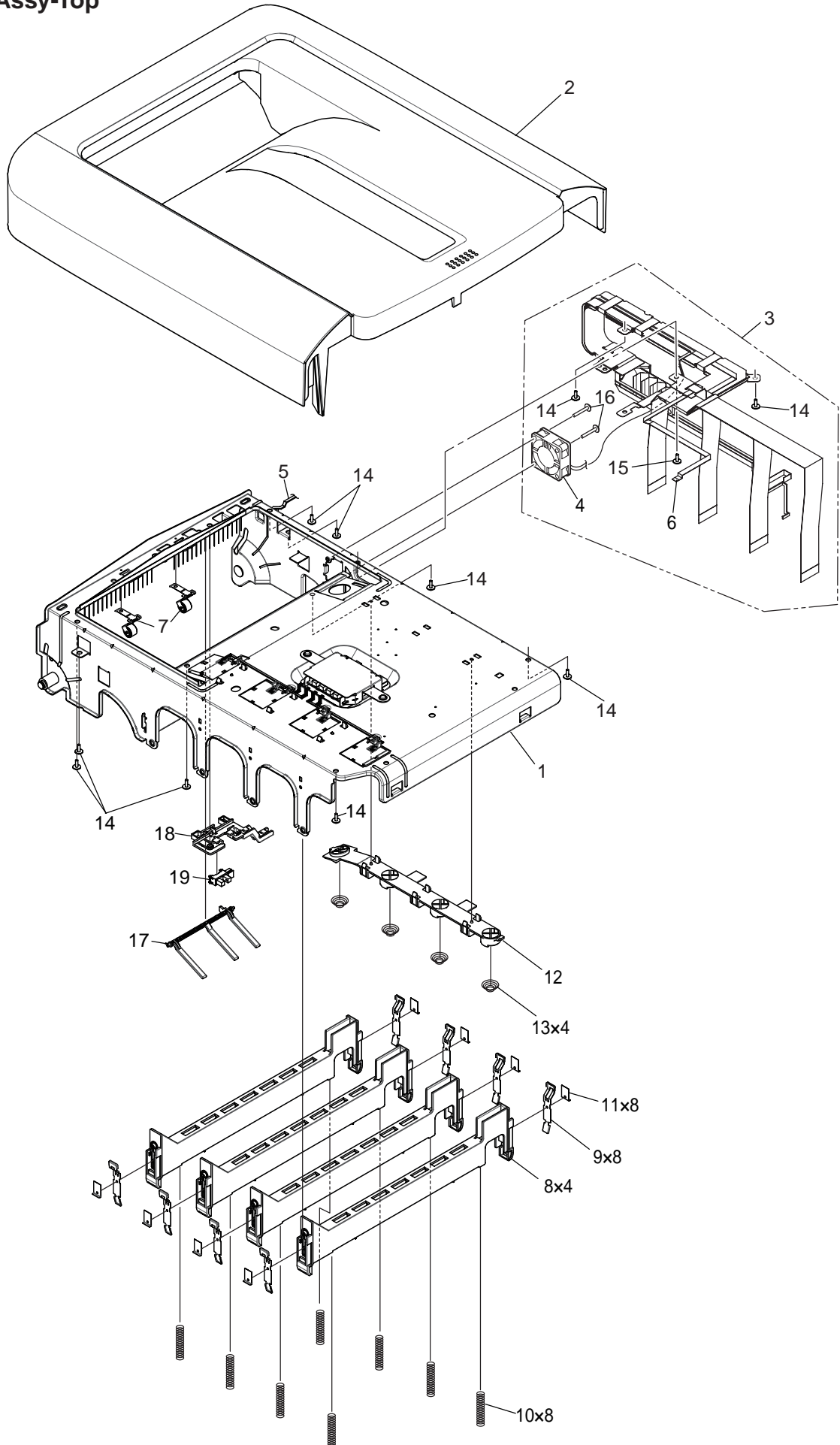
Printer Unit

No.	Part No.	Part Name	Q'ty /Unit	Remarks
1	43896201	Cover-Assy.-Top	1	
2	43895201	Frame Assy.-OP	1	
3	43895301	Cover Assy.-OP	1	
4		Toner-Cartridge Type C12 C	1	
5		Toner-Cartridge Type C12 M	1	
6		Toner-Cartridge Type C12 Y	1	
7		Toner-Cartridge Type C12 K	1	
8		ID unit-Type-C12 ODA/C	1	
9		ID unit-Type-C12 ODA/M	1	
10		ID unit-Type-C12 ODA/Y	1	
11		ID unit-Type-C12 ODA/K	1	
12		PX741 Belt Unit(ODA)	1	
13		PX741 Fuser-Unit(ODA_120V)	1	(120V)
13		PX741 Fuser-Unit(ODA_230V)	1	(230V)
14	43131301	OR-PRY	1	Board-PRY
15	43917501	Sensor Assy.-Color-Regist	1	
16	42066901	Cover-Driver	1	
17	43917801	Cover-Assy.-SideR-741	1	
18	43738101	Plate-Shield-A	1	
19	43921701	OR-Board PRH	1	Board-PU
20		TW-VF/SMCD16-40-1.0	1	PU-CU
21	43793721	Board-TB2	1	Contoroler Board CU (PCL) (Board TB2) C710
22	43921901	Plate Assy.-Side R(PX741)	1	
23	43924301	Eject Assy.-PX741	1	
24	43894301	Plate Assy.-Base	1	
25	43074903	Plate Assy.-Side L(PX-741)	1	
26	43770701	PWR unit-DCDC	1	High Voltage
27	43393801	CONN-High Voltage(Bend)	1	
28	43738301	Cover-Side(L)	1	
29	43894901	Cassette-Assy-PX741	1	
30	43895001	Frame-Assy-Retard	1	
31	43963101	Spring-Retard	1	
32	43894801	Cover Assy.-Hopping	1	
33	42067602	Plate-Front	1	
34	43895401	Feeder-Unit-PX741	1	
35	42062102	Plate-Driver(PU)(Caulking)	1	
36	43076101	Gear-Idle-Belt-Z20Z93	1	
37	43073510	Plate-Lockout-ID	1	
38	43078702	Cover Assy.-FaceUP	1	
39	43917701	Cover-Sub Assy.-Rear	1	
40	43295201	LED Head Unit-51STA	4	600DPI
41	43289101	OR-Motor-FAN(80)	1	FUSER
42	43746401	Guide-Cable-(Pow-low)	1	
43	43704101	PWR unit-ACDC Switch	1	Power Unit (LVPS) 120V
43	43987801	PWR unit-ACDC Switch	1	Power Unit (LVPS) 230V
44	42067001	Spring-BeltFuse	2	
45	42605201	Thermistor-Belt	1	
46	43076501	Shaft-Liftup-PX734	1	
47	42060701	Bush	1	
48	43075201	Gear-LiftupL-Z32	1	
49	43075501	Gear-LiftUpLinkL-Z56	1	
50	43110801	Plate-Heat	1	
51	43921201	Spring-Torsion(L)	1	

Printer Unit

No.	Part No.	Part Name	Q'ty /Unit	Remarks
52	43921301	Spring-Torsion(R)	1	
53		Plate-name	1	C710
54	43912901	Plate-Logo	1	
55		Label-FuserJAM	1	
56	43348901	CONN-Cord-FlexyDP(Bend)	1	PU-PRY
57		Cup_Screw (S Tight M3)	44	
58		TappingScrew-B2 L=10	1	
59		TappingScrew-B2 L=8	1	
60		Screw (SW+2W)	1	
61		Ring	2	
62	43281101	Label-Color K	1	
63	43281102	Label-Color Y	1	
64	43281103	Label-Color M	1	
65	43281104	Label-Color C	1	
66		Duplex Unit-PX741	1	JPN

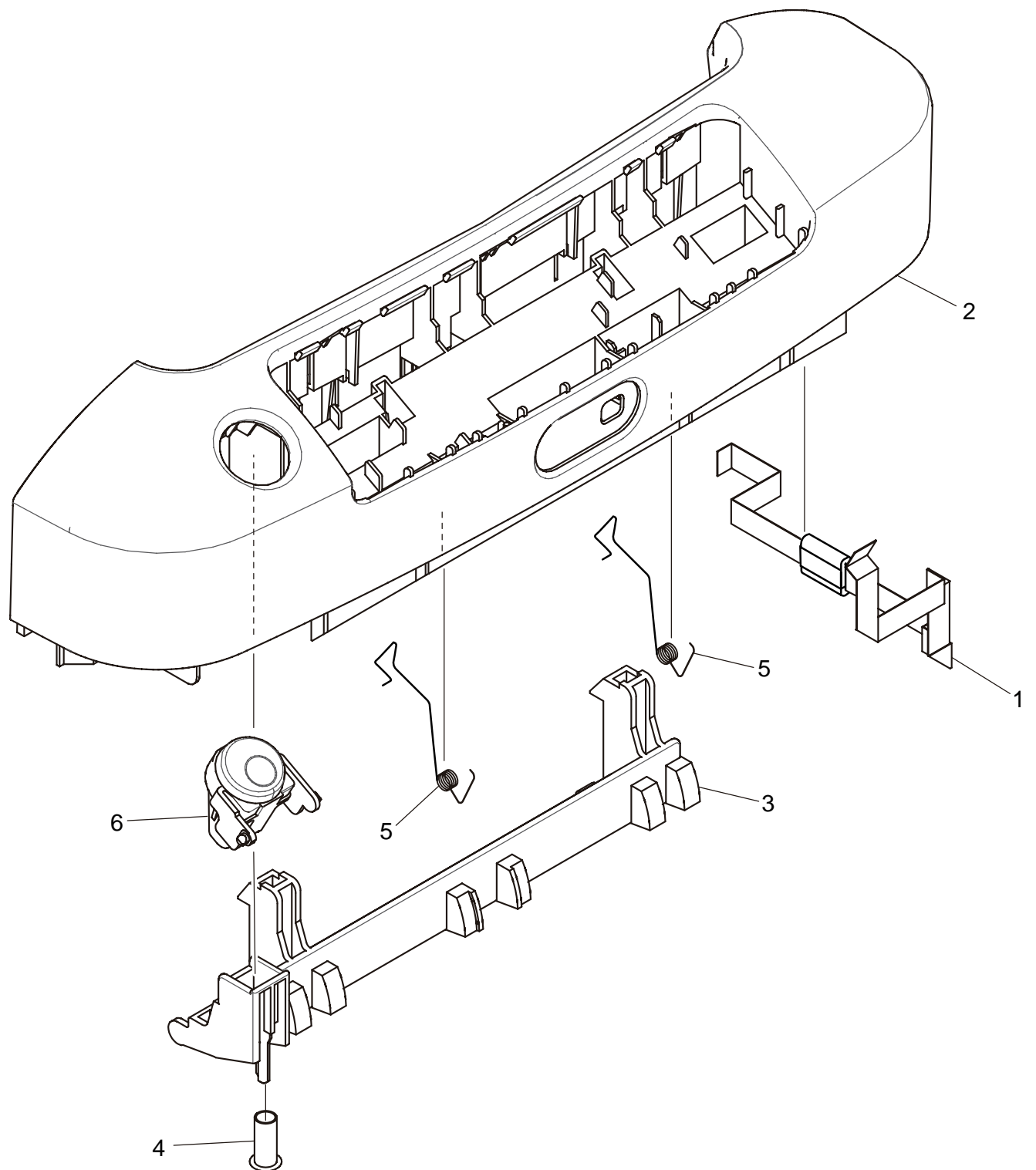
Cover-Assy-Top



Top Cover Assy

No.	Part No.	Part Name	Q'ty /Unit	Remarks
1		Plate Assy.-Inner_PX741	1	
2		Cover-Top	1	
3		Cable-Assy.-Head	1	
4		Motor-Fan	1	
5	43810401	CONN Cord-JST3P-AMP3P	1	
6	43297002	Cable-RFID(bend)	1	
7		Roller Assy.-Idle(FD)	2	
8		Holder-Head	4	
9		Plate-FG-Head	8	
10		Spring-Head	8	
11		Plate-Stopper	8	
12		Holder-SP(Inner)	1	
13		Spring-Compression(ID)	4	
14		TappingScrew-B2 L=8	10	
15		Cup_Screw (S Tight M3)	1	
16		Cup_Screw A	2	
17		Lever-Sensor	1	
18		Holder-Sensor	1	
19		Photo-Interrupter	1	

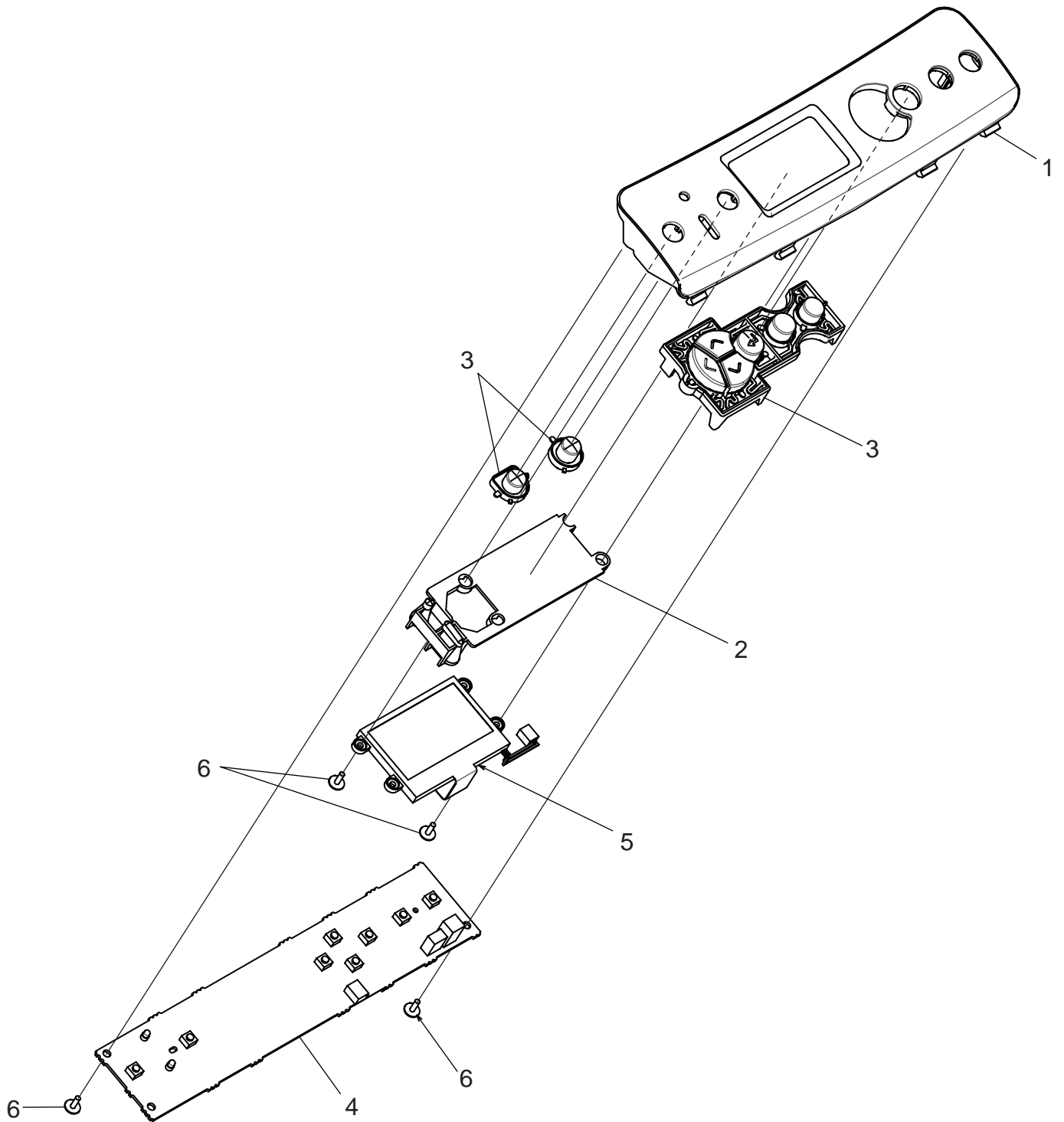
Frame Assy-OP



Frame Assy OP

No.	Part No.	Part Name	Q'ty /Unit	Remarks
1	43987901	Core Assy.-FFC	1	OP Panel-PU
2		Frame-OP panel	1	
3		Lever-Lock-Top	1	
4		Spring-Compression(Lock)	1	
5		Spring-Torsion-FG	2	
6		Lever-Top-Switch	1	

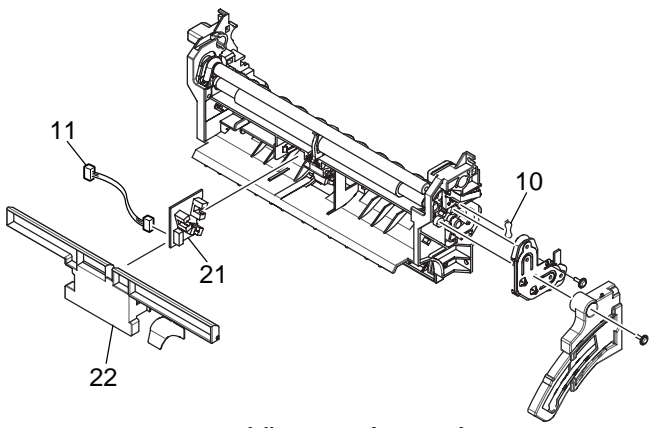
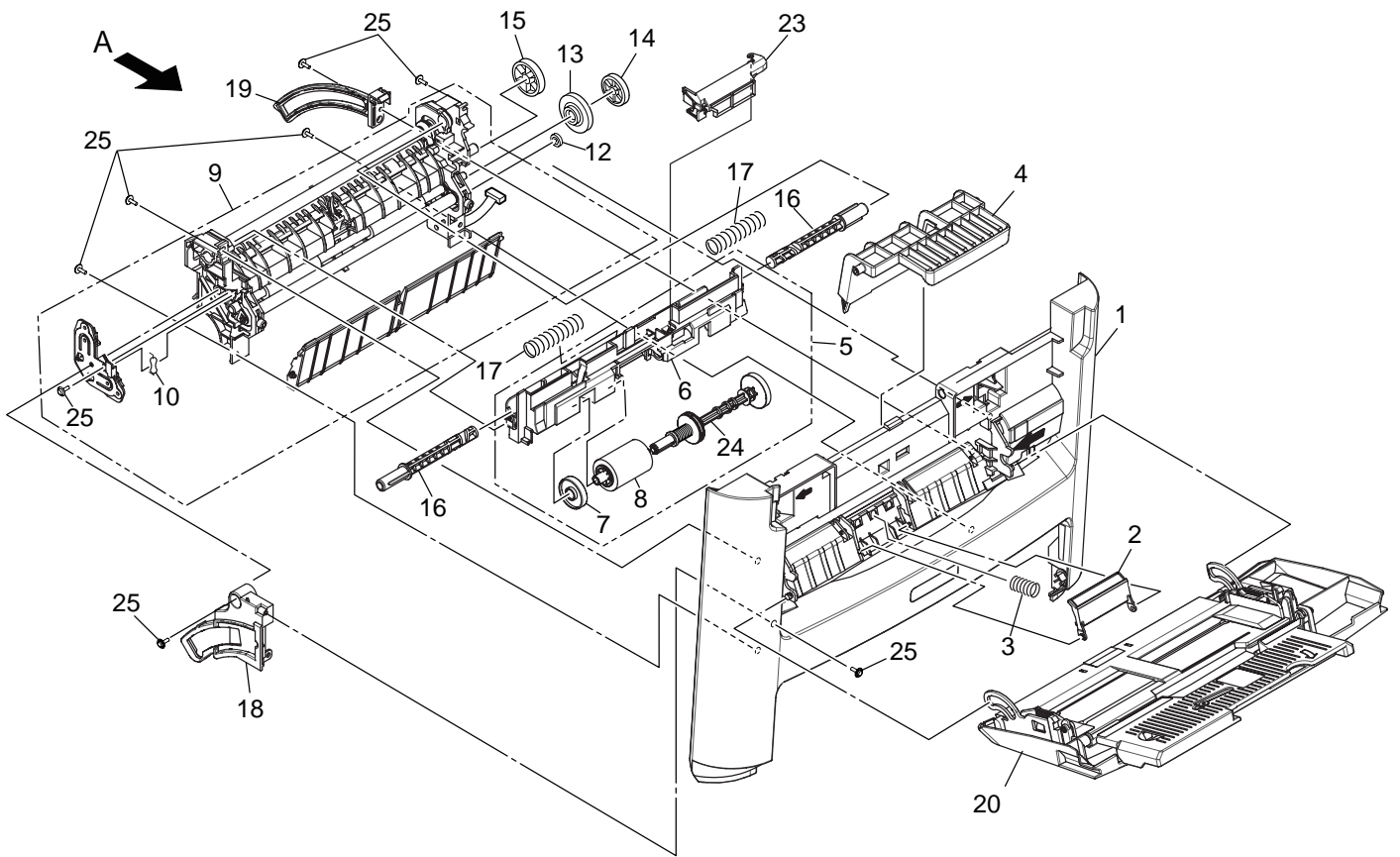
Cover Assy-OP



Cover Assy OP

No.	Part No.	Part Name	Q'ty /Unit	Remarks
1		Cover-OP	1	
2		Cover-LCD	1	
3		Button-Key	1	
4	43925101	OR-PRG	1	Board-PRG
5		BTG-12864BG-FBWB-F-G	1	
6		TappingScrew-B2 L=8	4	

Feeder-Unit

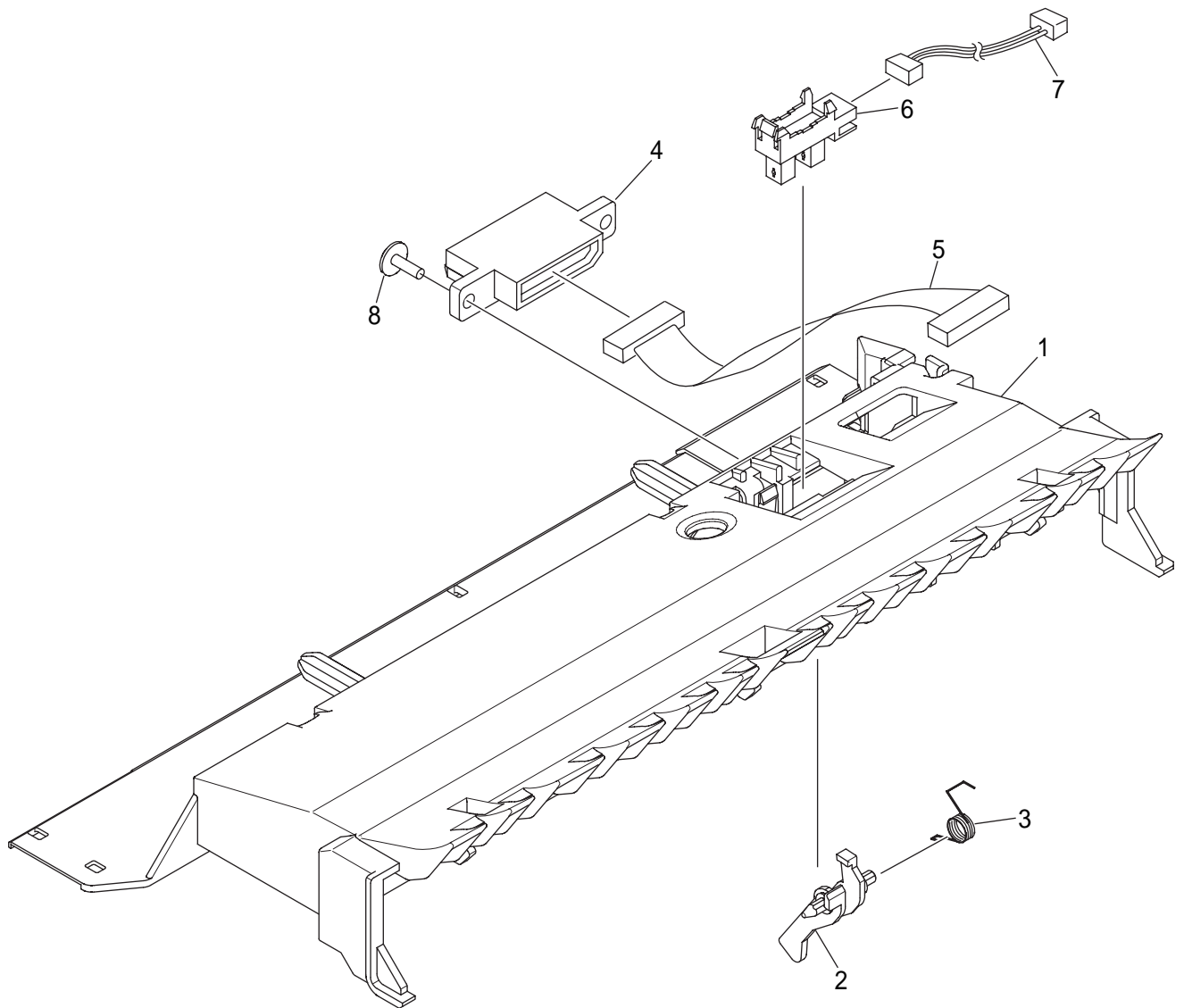


View on Arrow A

Feeder Unit

No.	Part No.	Part Name	Q'ty /Unit	Remarks
1		Cover Assy.-Front	1	
2		Frame Assy.-Separator	1	
3		Spring-Separator	1	
4		Lever-Release-F	1	
5		Guide-Assy.-Top	1	
6		Guide-Sheet-Top	1	
7		Roller-Guide	1	
8		Roller-Assy-MPT	1	
9		Feeder-Assy.-Resist	1	
10		OR-RES-High-Voltage-Z	1	
11	43809401	CONN Cord-AMP5P-AMP5P	1	RSF-PU
12		Gear-Puressure	1	
13		Gear-Regist-L(24-54)	1	
14		Gear-Z42	1	
15		Gear-Idle-MPT(26-50)	1	
16		Post-Slide	2	
17		Spring-Release-F	2	
18		Stay-Front-L	1	
19		Stay-Front-R	1	
20		MPT-Cover Assy.-PX741	1	
21	42135802	Board-RSF	1	Front Sensor
22		Cover-SNS	1	
23		Cover-Guide	1	
24		Shaft Assy.-MPT	1	
25		TappingScrew-B2 L=8	8	

Cover Assy-Hopping



Cover Assy Hopping

No.	Part No.	Part Name	Q'ty /Unit	Remarks
1		Cover-Hopping	1	
2		Lever-End	1	
3		Spring-Lever-End	1	
4		9715B-11Z02-G4C	1	
5		CONN Cord-JST24P-AMP12PAMP11P	1	
6		Photo-Interrupter	1	
7		CONN Cord-JST3P-AMP3P	1	
8		TappingScrew-B2 L=8	1	

Plate-Assy-Side R

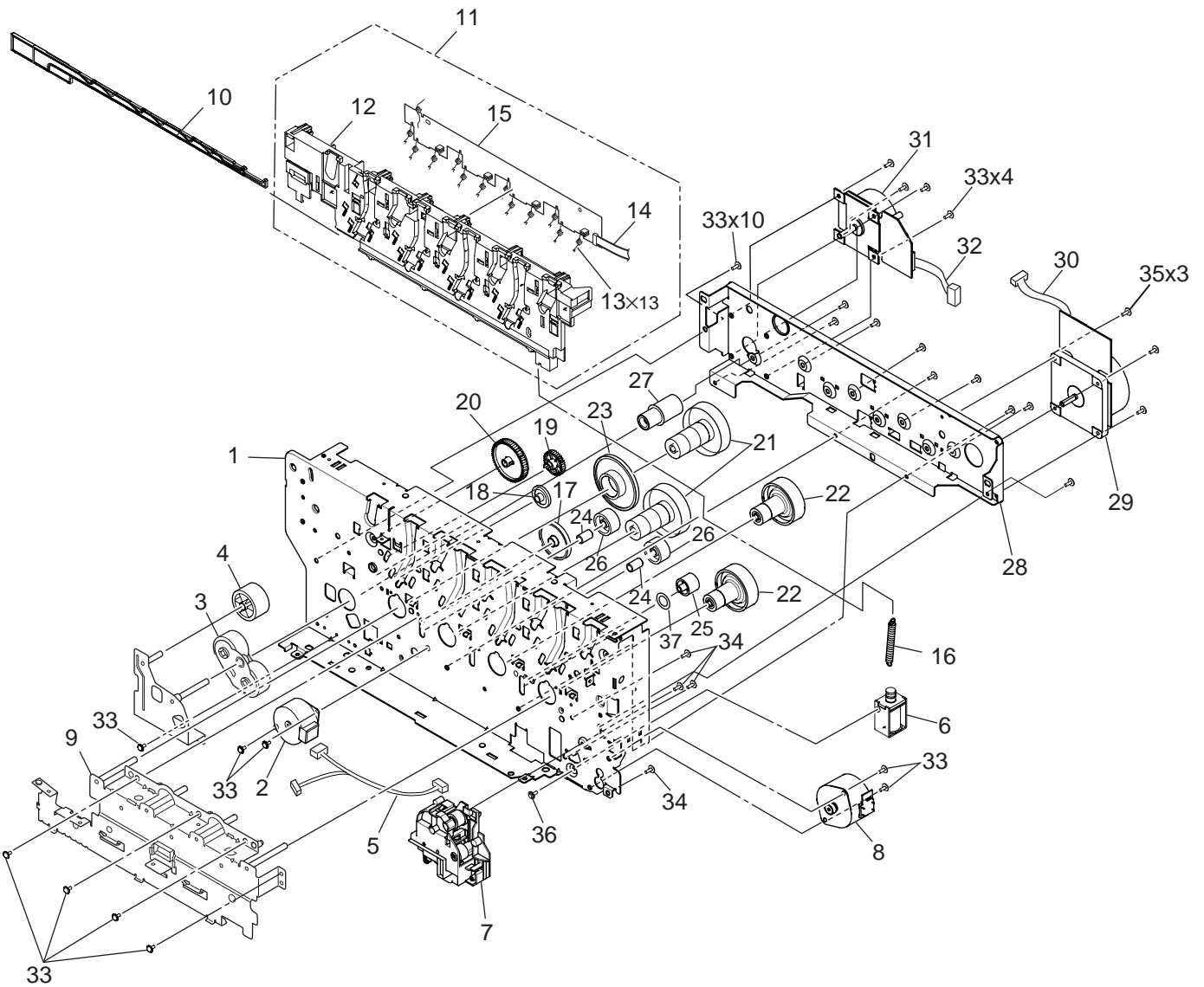


Plate Assy Side R

No.	Part No.	Part Name	Q'ty /Unit	Remarks
1		Plate Side R (Caulking)	1	
2	43276201	OR-Motor_Pulse_Liftup	1	
3		Gear-Planet-Assy	1	
4	43085301	Gear-Idle-Exit-Z32	1	
5	43138001	CONN Cord-AMP8P-AMP4PAMP4P	1	Belt/IDUP Motor-PU
6	42058303	Solenoid	1	
7		Gear Assy.-HP (PX741)	1	
8	43925301	Motor-Pulse-Hop	1	
9		Bracket-Inner(Caulking)-PX734	1	
10		Link-LiftUp-R	1	
11		Cover-PlateR-Assy.-PX734	1	
12		Cover-Plate-R	1	
13		Spring-Contact-TL	13	
14		TW-VF/SMCD11-150-1.0	1	PRZ-PU
15	43131601	OR-PRZ	1	Board-PRZ Toner Sensor
16		Spring-Solenoid	1	
17		Gear-LiftUp-Z83Z25	1	
18		Gear-IdleLiftup-Z28	1	
19		Gear-LiftupR-Z32	1	
20		Gear-LiftUpLinkR-Z56	1	
21		Gear-Idle-DrumZ24-102	2	
22		Gear-Idle-DrumZ24-102	2	
23		Gear-LiftUp-Z121Z34	1	
24		Stopper-GearID	2	
25		Gear-Idle-Z44	1	
26		Gear-Idle-Z44	2	
27		Gear-Idle-Heat_Z14-32	1	
28		Plate-Bracket-Outer58M	1	
29	43923501	Motor-DC-ID-65M	1	
30	43810301	CONN Cord-AMP11P-AMP11P	1	ID Motor-PU
31		Motor-DC-FU-45M	1	
32	43138301	CONN Cord-AMP9P-AMP9P	1	Fuser Motor-PU
33		Cup_Screw (S Tight M3)	23	
34		TappingScrew-B2 L=8	4	
35		Cup_Screw A	3	
36		Screw-PSW3	1	
37		Spacer-Coupling	1	

Plate-Assy-Side L

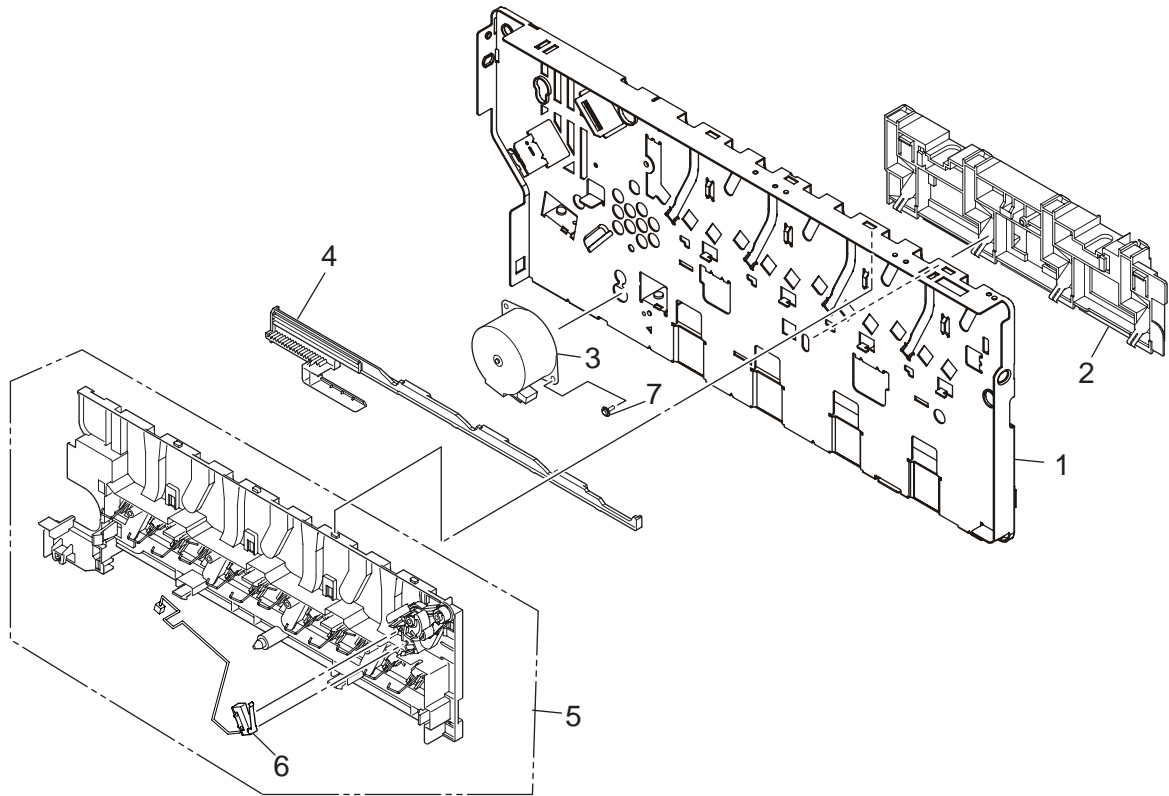
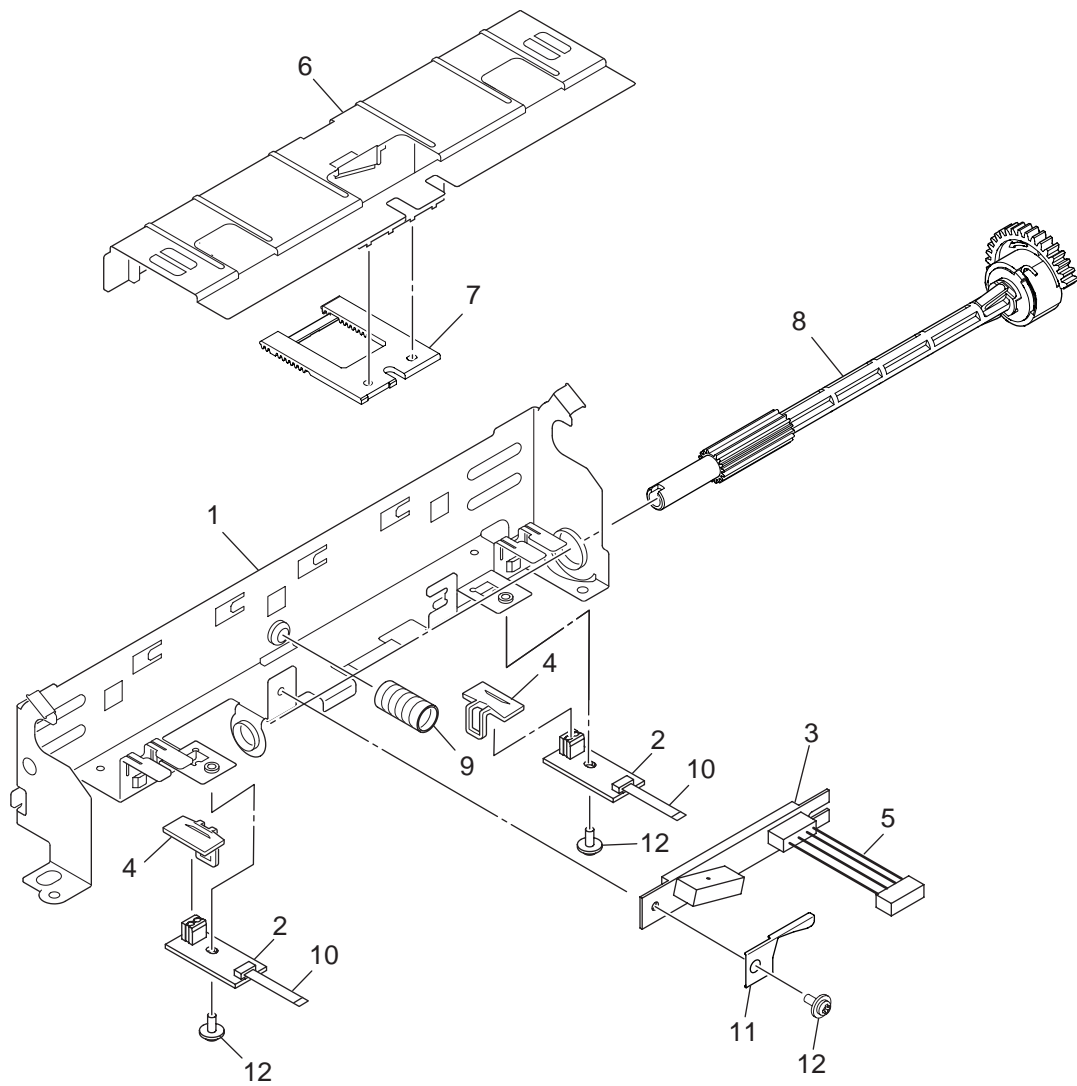


Plate Assy Side L

No.	Part No.	Part Name	Q'ty /Unit	Remarks
1		Plate-Side-L(Caulking)	1	
2		Contact-Assy	1	
3	43276401	OR-Motor_Pulse_Belt	1	
4		Link-LiftUp-L	1	
5		Guide-Assy.-Side-L	1	
6	43945401	CONN Cord-AMP4P-SW	1	Micro switch-Assy
7		Cup_Screw (S Tight M3)	1	

Sensor-Assy-Color-Regist



Color Reg Sensor Assy

No.	Part No.	Part Name	Q'ty /Unit	Remarks
1		Plate-Sensor-C.Resist	1	
2		Board-PRC	2	Color Regist
3		GP2TC2J000F	1	Density
4		Plate-Guard-Sensor	2	
5		CONN Cord-MOLEX5-MOLEX5	1	Density-PRY
6		Cover-C.Resist(Adhesive)	1	
7		Gear-Cover-Sensor(Rack)	1	
8		Gear Assy.-Shutter	1	
9		Spring-Cover-Sensor	1	
10		TW-VF/SMCD4-50-1.0	2	PRC-PRY
11		Plate-Shield-Sensor	1	
12		Cup_Screw (S Tight M3)	3	

Plate-Assy-Base

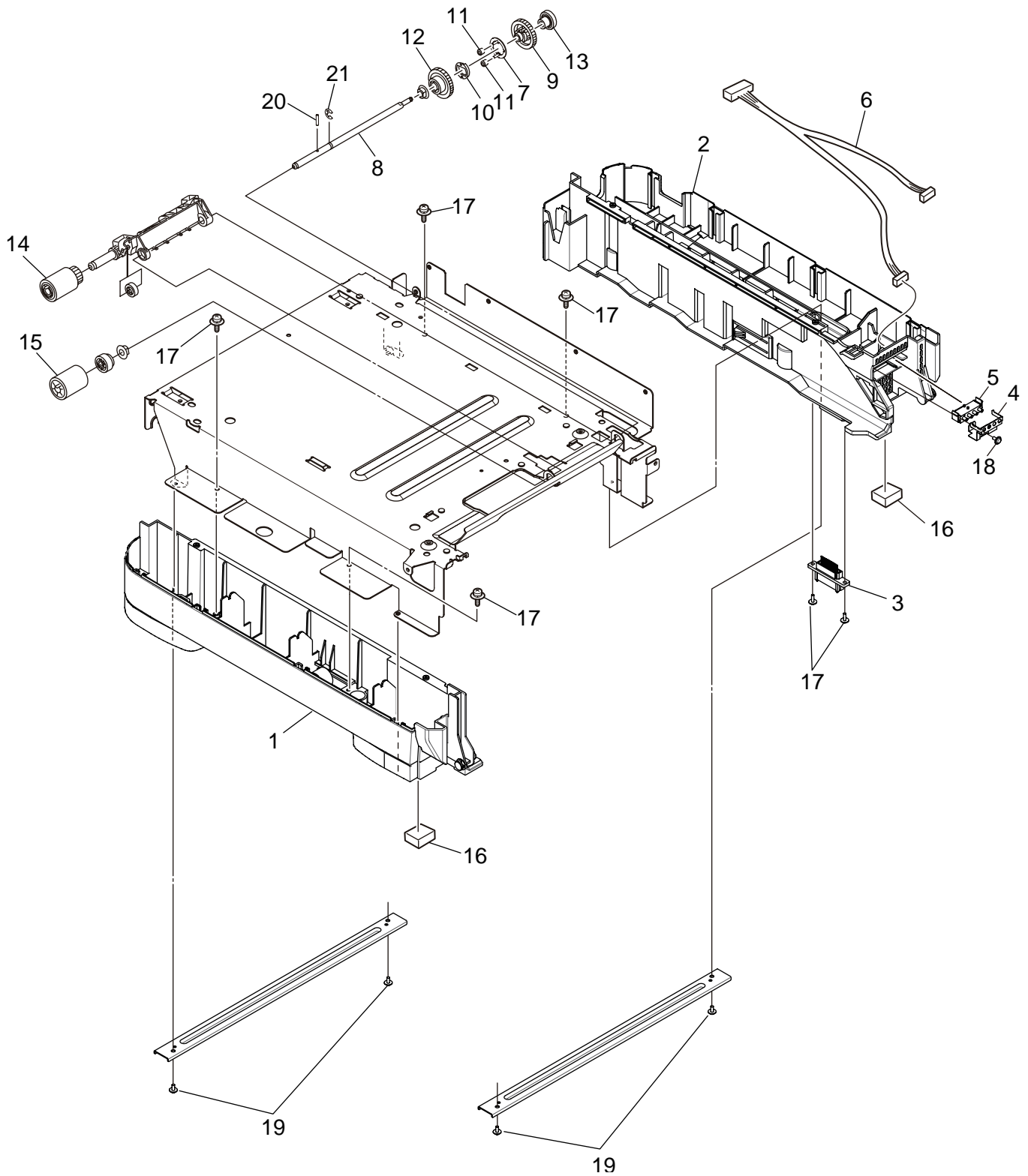
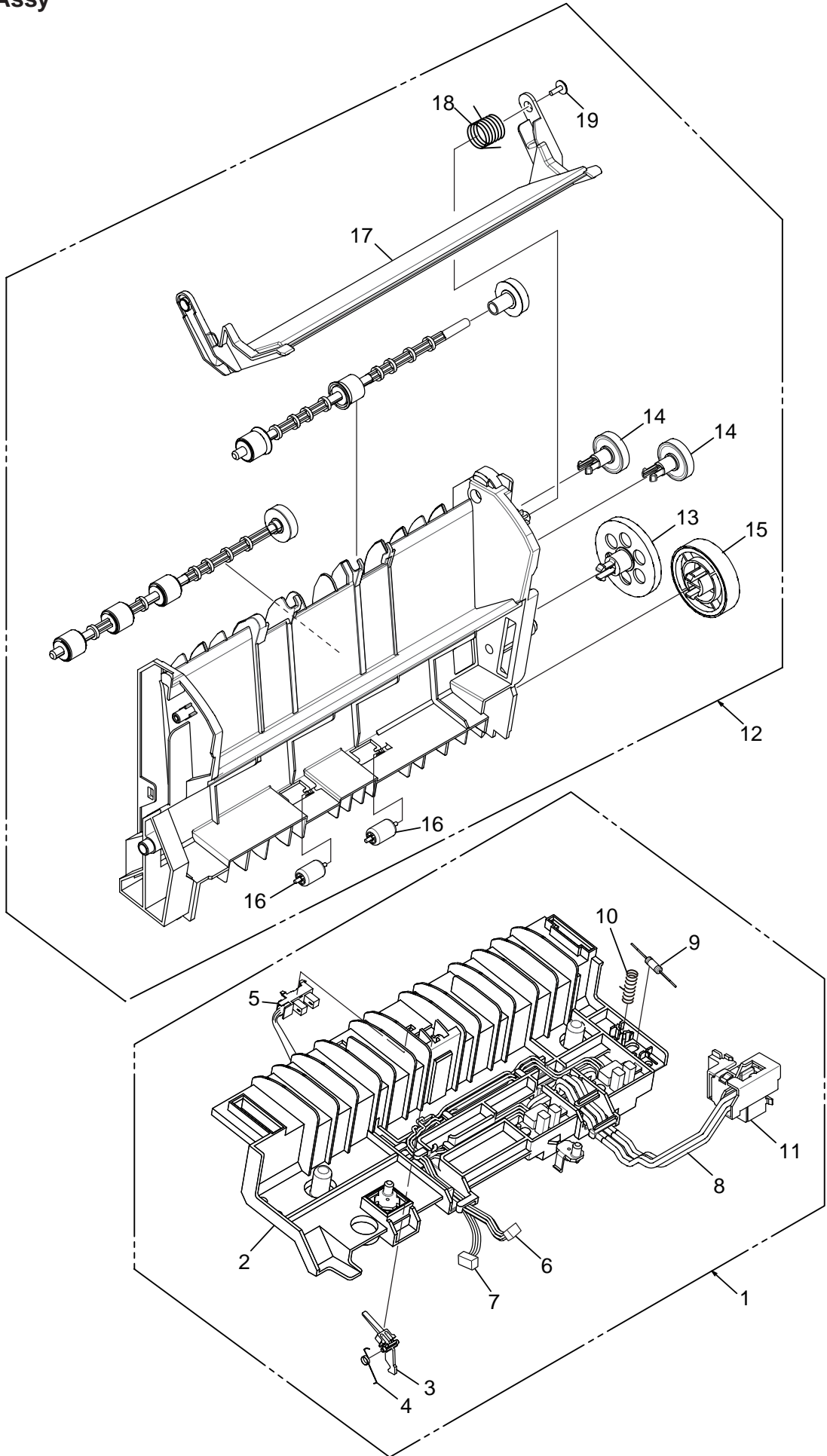


Plate Assy Base

No.	Part No.	Part Name	Q'ty /Unit	Remarks
1		Guide Assy.-Cassette-L	1	
2		Guide-Cassette-R	1	
3		9715B-12Z02-G4C	1	
4		Plate-FG(SW-T2)	1	
5		HS12-0001	1	
6	43810201	CONN Cord-AMP9P-AMP4PAMP5P	1	
7		Plate-Gear-HP-Caulking	1	
8		Shaft-Hopping	1	
9		Stopper-HP	1	
10		Holder-Planet-HP	1	
11		Gear-Planet(Z12)-HP	2	
12		Stopper-Z27-48-HP	1	
13		Gear-Z24-30-HP	1	
14	42699401	Roller-Pick-Up	1	
15	43000601	Roller-Feed-NOW	1	
16	42049901	Rubber-Foot	2	
17		TappingScrew-B2 L=8	6	
18		Cup_Screw (S Tight M3)	1	
19		Cup_Screw A	4	
20		Pin	1	
21		Ring	1	

Eject-Assy



Eject Assy

No.	Part No.	Part Name	Q'ty /Unit	Remarks
1	43076303	Guide Assy.-Eject-L	1	
2		Guide-Eject-Lower-PX734	1	
3		Lever-Exit-Sensor	1	
4		Spring-SNS(F/R)	1	
5		Photo-Interrupter	1	
6		CONN Cord-	1	Exit-PRY
7		CONN Cord-AMP8P-AMP4PAMP4P	1	Fuser-TH
8	43155001	CONN Cord-AMP2PAMP2P-JST4P	1	Heater-AC
9		OR-RES-High-Voltage-Z	1	
10		Spring-FG	1	
11		Guide-Cable-R-734	1	
12		Guide Assy.-Eject-U	1	
13		Gear-Idle-Exit(Z44)	1	
14		Gear-Idle-Exit(Z21)	2	
15		Gear-Idle-Exit(Z41)	1	
16		Roller-Sub-G.E.U.	2	
17		Cover-Eject(Sub)	1	
18		Spring-Torsion-CES	1	
19		TappingScrew-B2 L=8	1	