

7. Parts catalog

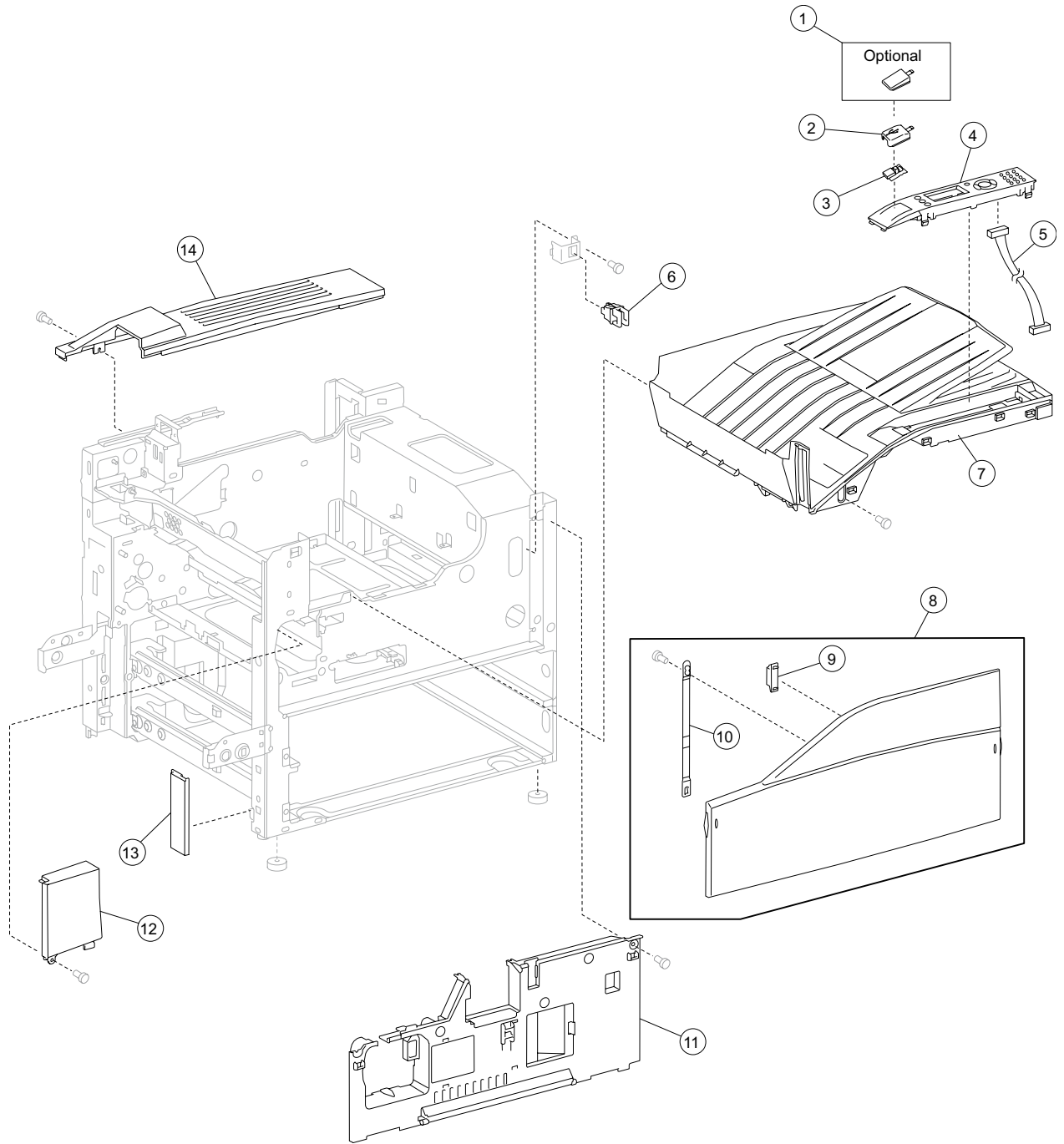
How to use this parts catalog

The following legend is used in the parts catalog:

Assem bly- Index	Part number	Units/mach	Units/ kit or pkg	Description
------------------------	----------------	------------	-------------------------	-------------

- **Assembly-index:** Identifies the assembly and the item in the diagram. For example 3-1 indicates Assembly 3 and the item number 1 in the table.
- **Part number:** Identifies the unique number that identifies this FRU.
- **Units/mach:** Refers to the number of units actually used in the base machine or product.
- **Units/kit or pkg:** Refers to the number of units packaged together and identified by the part number.
- **NS:** (Not shown) in the assembly-Index column indicates that the part is procurable but is not pictured in the illustration.
- **PP:** (Parts Packet) in the parts description column indicates the part is contained in a parts packet.

Assembly 1: Covers and operator panel (1 of 2)



Assembly 1: Covers and operator panel (1 of 2)

Assembly - Index	Part number	Units/mach	Units/kit or pkg	Description
1-4	40X2395	1	1	USB function removal cover
1	40X0972	1	25	USB function removal cover
2	40X0557	1	1	USB connector cover
3	40X0556	1	1	USB connector
4	40X0554	1	1	Operator panel assembly
5	40X0555	1	1	Operator panel cable assembly
6	40X0553	1	1	Switch (printer front door interlock)
7	40X0558	1	1	Top cover assembly
8	40X0559	1	1	Printer front door assembly
9	40X0560	1	1	Front door magnetic catch
10	40X0561	1	1	Front door support strap
11	40X0562	1	1	Front inner cover
12	40X0551	1	1	Front left cover
13	40X0550	1	1	Left lower cover
14	40X0552	1	1	Top rear cover

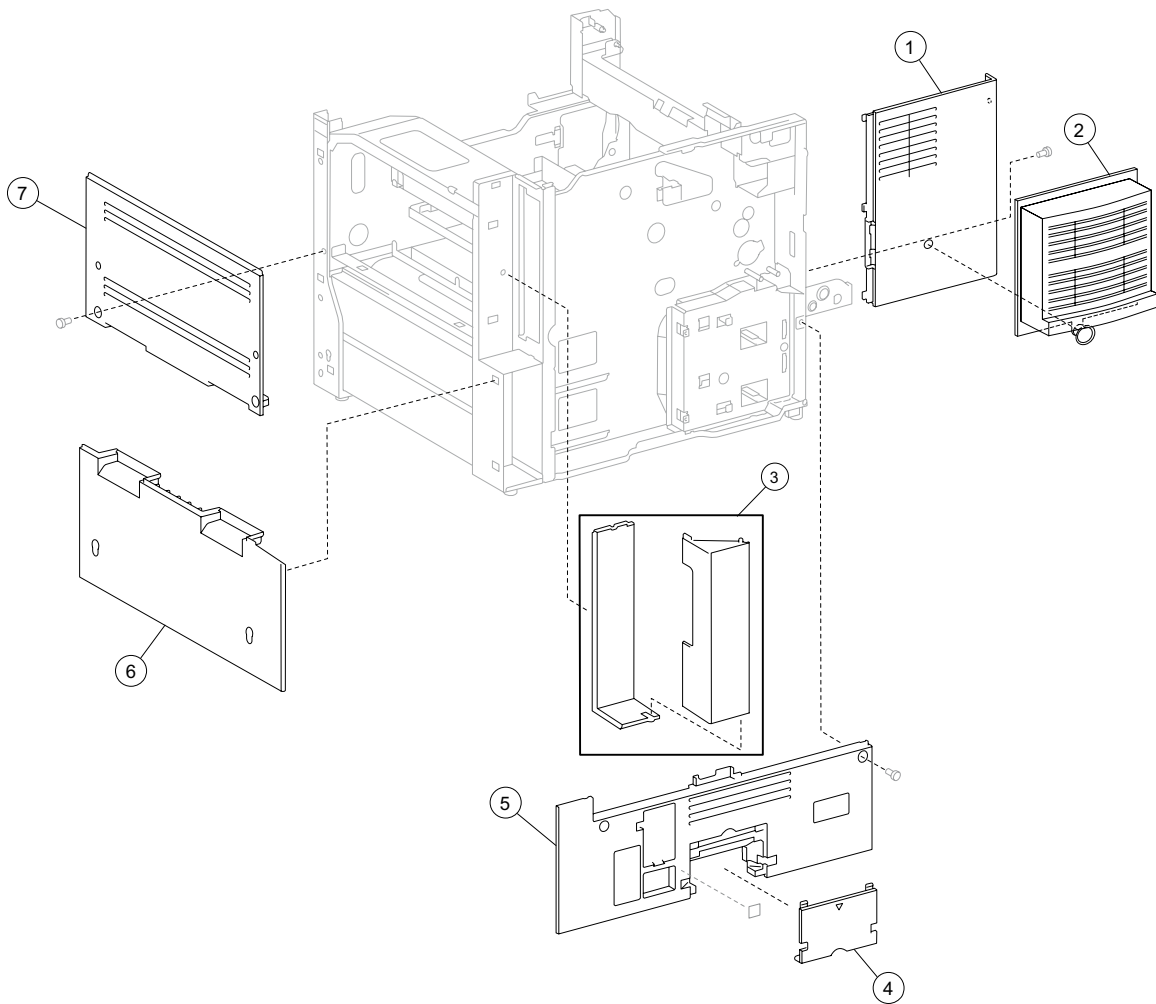
Warning: In the event of replacement of any one of the following components:

- Operator panel assembly
- RIP card assembly
- Interconnect card assembly

Only replace one component at a time. Replace the required component and perform a POR before replacing a second component listed above. If this procedure is not followed, the printer will be rendered inoperable. Never replace two or more of the components listed above without a POR after installing each one or the printer will be rendered inoperable.

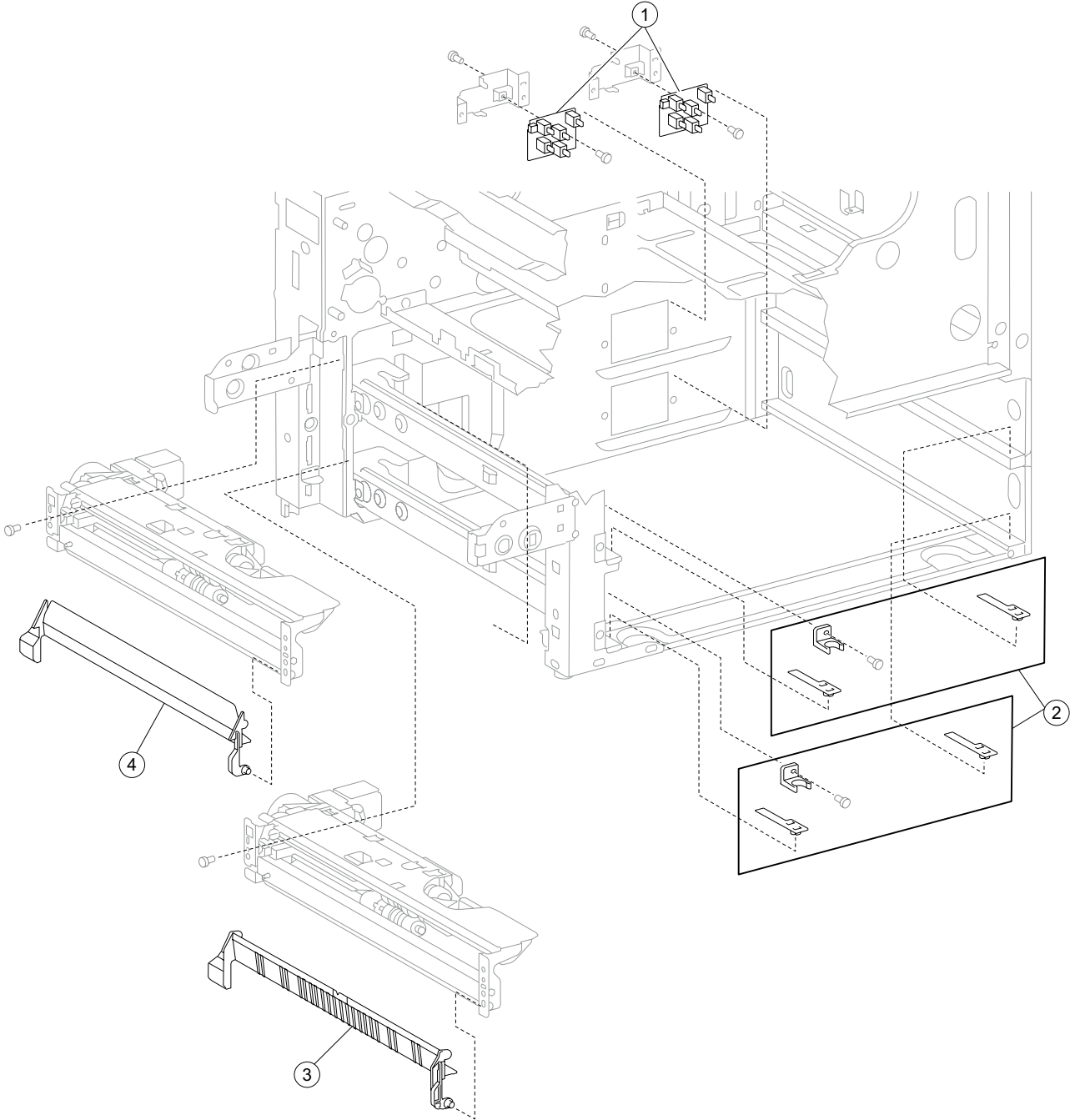
Warning: Never install and remove components listed above as a method of troubleshooting components. Once a component has been installed in a machine, it can not be used in another machine. It must be returned to the manufacturer.

Assembly 2: Covers



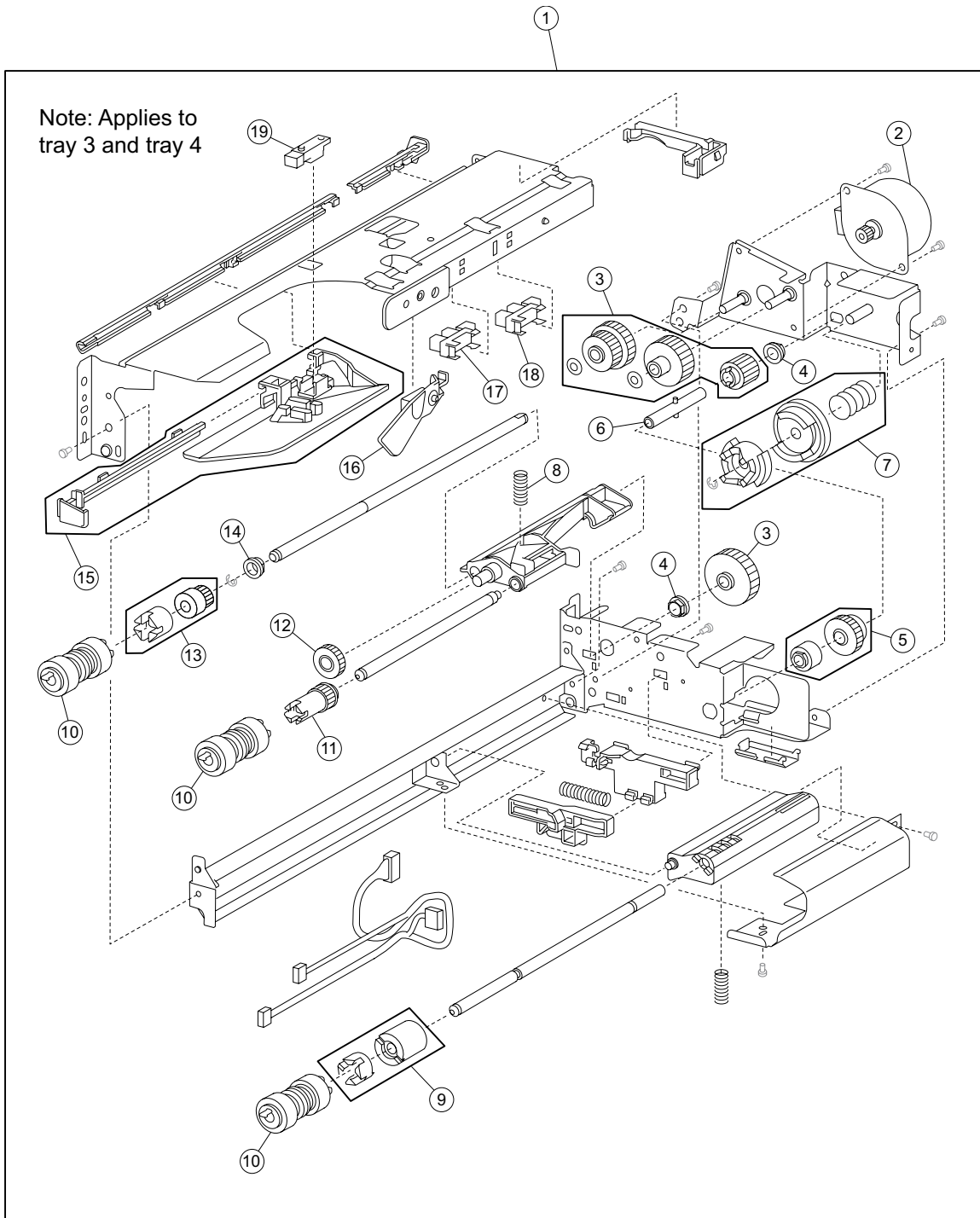
Assembly - Index	Part number	Units/mach	Units/kit or pkg	Description
2-4	40X0566	1	1	Rear motor cover
2	40X2382	1	1	TVOC filter assembly
3	40X0565	1	2	Cable hookup door kit includes: <ul style="list-style-type: none"> • Cable hookup cover • Cable hookup door
4	40X0568	1	1	Option hookup cover
5	40X0567	1	1	Rear lower cover (110V)
5	40X0955	1	1	Rear lower cover (220V)
6	40X0564	1	1	Right lower cover
7	40X0563	1	1	Right upper cover

Assembly 3: Media feed unit



Assembly - Index	Part number	Units/mach	Units/kit or pkg	Description
3-1	40X0570	2	1	Switch (media size)
2	40X0569	2	3	Media tray catch kit includes: <ul style="list-style-type: none"> • Media tray catch • Media tray slide (2)
3	40X0572	1	1	Vertical turn guide
4	40X0571	1	1	Vertical turn mylar guide

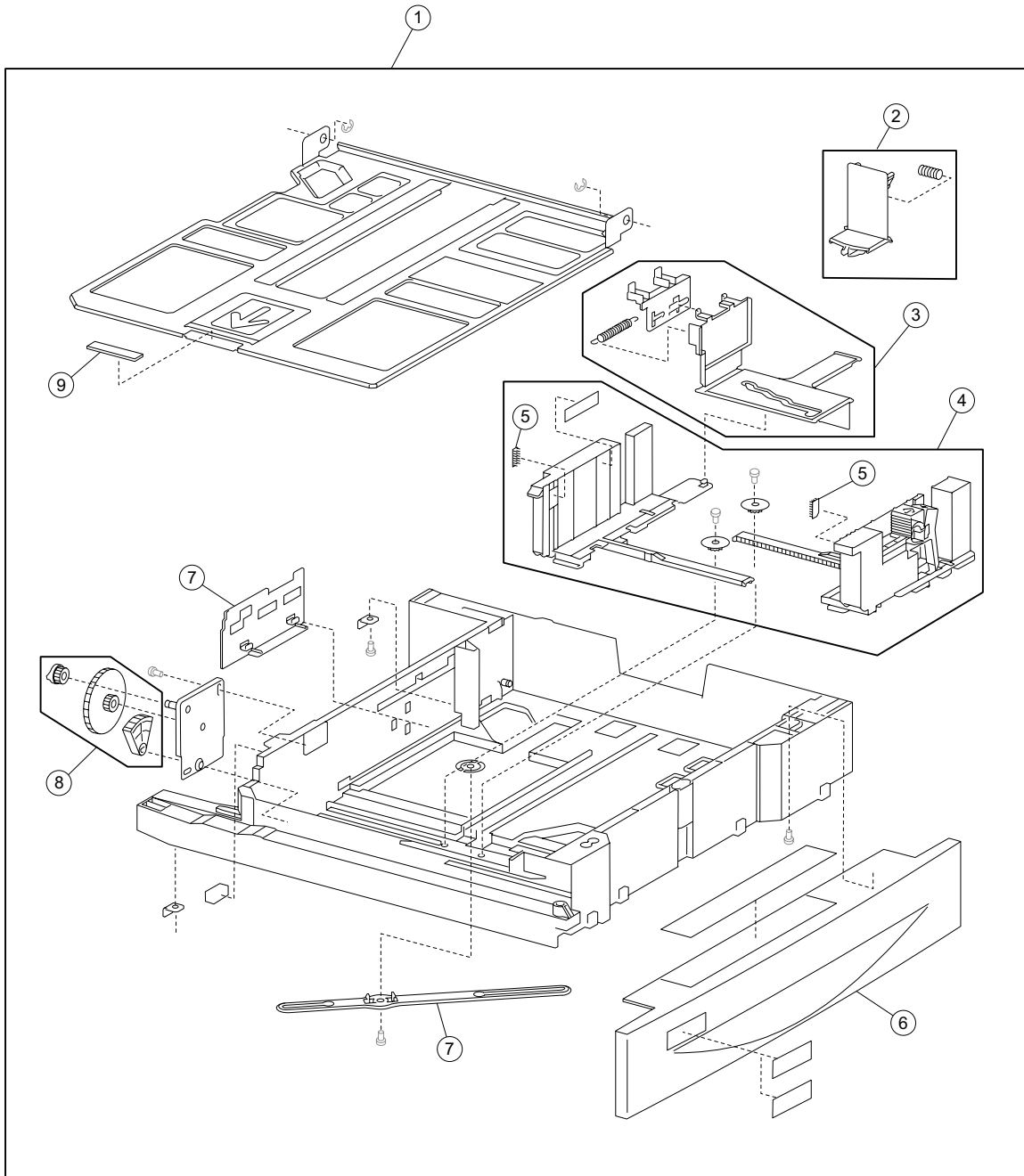
Assembly 4: Media feed unit exploded (tray 1 and tray 2)



Assembly 4: Media feed unit exploded (tray 1 and tray 2)

Assembly - Index	Part number	Units/mach	Units/kit or pkg	Description
4-4	40X0581	2	1	Media feed unit assembly
2	40X0582	2	1	Media feed lift motor
3	40X0585	2	6	Media feed drive gear kit includes: <ul style="list-style-type: none"> • Media feed unit drive gear 13T • Media feed unit drive gear 28/21T • Media feed unit drive gear 29T • Media feed unit drive gear 27T • 2 mm washer (2)
4	40X0880	2	1	6 mm bushing
5	40X0967	2	2	Media tray lift one-way clutch/gear includes: <ul style="list-style-type: none"> • Media tray lift one-way clutch • Media tray lift one-way gear
6	40X0968	2	1	Media tray lift one-way shaft
7	40X0583	2	3	Tray lift coupling kit includes: <ul style="list-style-type: none"> • Tray lift coupling • Tray lift coupling gear 31T • Spring
8	40X0590	2	1	Pick roll assembly spring
9	40X0593	2	2	Separation roll friction clutch kit includes: <ul style="list-style-type: none"> • Separation roll one-way friction clutch • Separation roll spacer
10	40X0594	2	3	Feed unit roll kit includes: <ul style="list-style-type: none"> • Feed roll • Pick roll • Separation roll
11	40X0970	2	1	Pick roll drive gear
12	40X0969	2	1	Pick roll idler gear
13	40X0591	2	2	Feed roll one-way clutch kit includes: <ul style="list-style-type: none"> • Feed roll one-way clutch • Feed roll one-way gear 22T
14	40X0952	2	1	6 mm bushing
15	40X0586	2	2	Media feed unit front guide kit includes: <ul style="list-style-type: none"> • Media feed unit front guide • Media feed unit front guide rail
16	40X0587	2	1	Media out actuator
17	40X0588	2	1	Sensor (media out)
18	40X0588	2	1	Sensor (media level)
19	40X0589	2	1	Sensor (pre-feed)

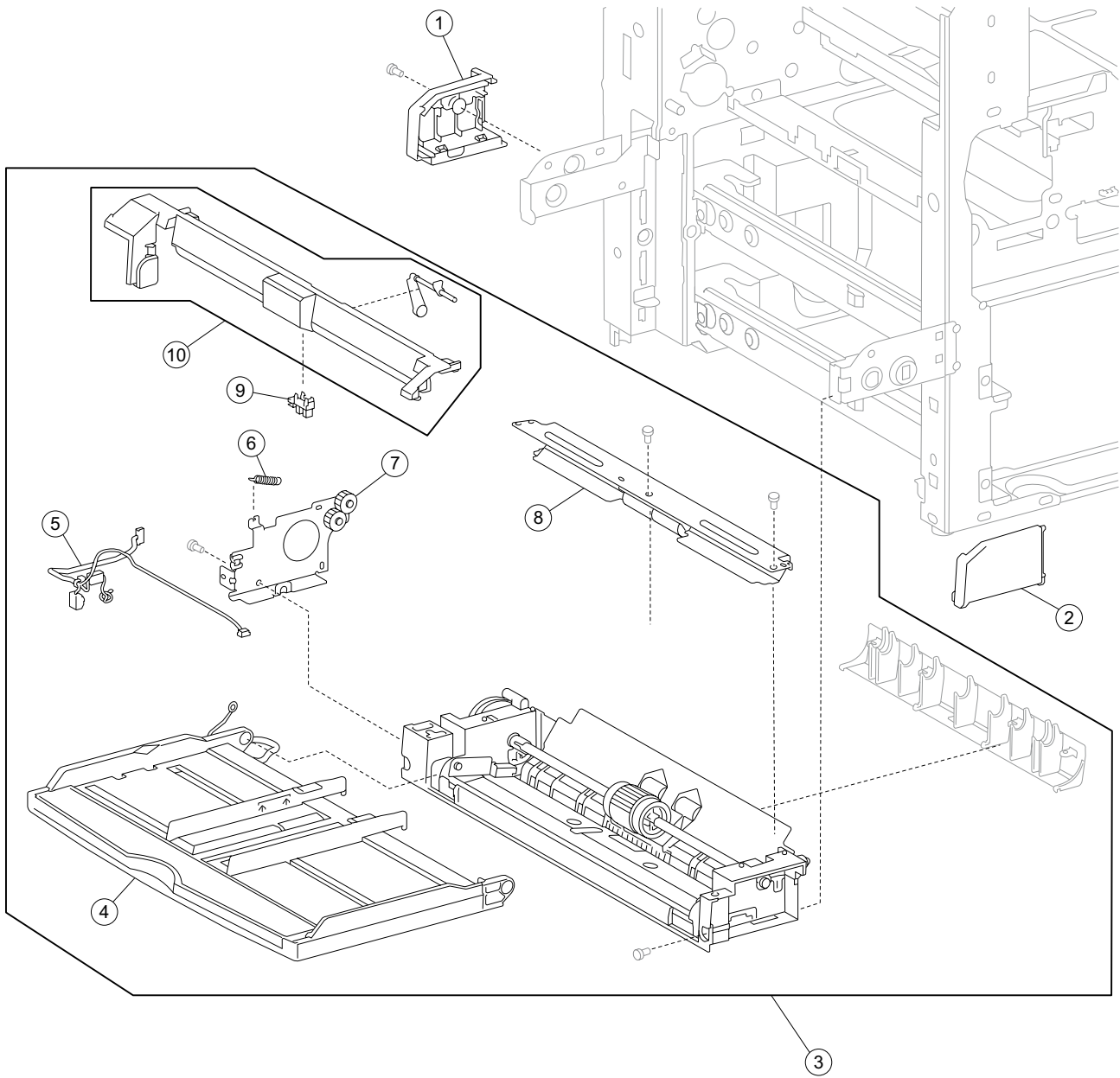
Assembly 5: Media tray



Assembly 5: Media tray

Assembly - Index	Part number	Units/mach	Units/kit or pkg	Description
5-4	40X0573	2	3	Media tray assembly includes: (this comes assembled) <ul style="list-style-type: none"> • Media tray assembly • Labels (2)
2	40X0578	2	2	Media tray end guide kit includes: <ul style="list-style-type: none"> • Media tray end guide • Spring
3	40X0577	2	3	Media tray side guide actuator kit includes: <ul style="list-style-type: none"> • Media side guide actuator • Media side guide slide • Spring
4	40X0576	2	5	Media tray side guide kit includes: <ul style="list-style-type: none"> • Media max label • Front media tray guide assembly • Rear media tray guide • Pinion gear (2)
5	40X0966	4	1	Media tray separation brush
6	40X0574	2	1	Media tray front cover includes: <ul style="list-style-type: none"> • Media tray front cover • Labels (2)
7	40X0579	2	2	Media tray end guide actuator kit includes: <ul style="list-style-type: none"> • Media end guide actuator • Actuator link
8	40X0580	2	3	Media tray lift gear kit includes: <ul style="list-style-type: none"> • Tray lift coupling gear 13T • Tray lift gear 13/60T • Tray lift sector gear 12T
9	40X0965	2	1	Media tray separation pad

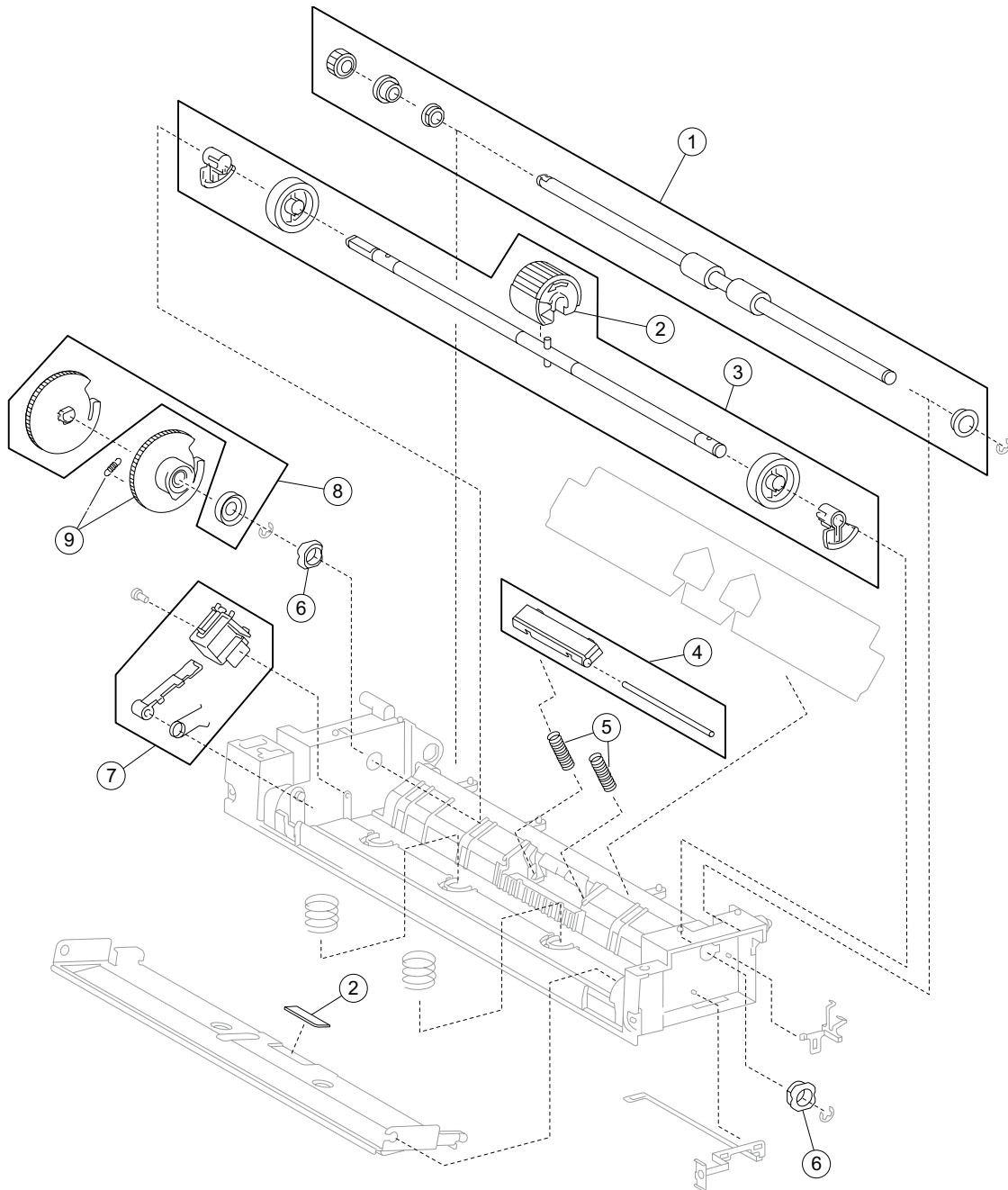
Assembly 6: MPF unit



Assembly 6: MPF unit

Assembly-Index	Part number	Units/mach	Units/kit or pkg	Description
6-4	40X0600	1	1	MPF rear cover
2	40X0599	1	1	MPF front cover
3	40X0595	1	1	MPF feed unit assembly
4	40X0608	1	1	Fold down tray assembly
5	40X0597	1	1	MPF unit cable assembly
6	40X0755	1	1	MPF pickup spring
7	40X0598	1	1	Idler gear bracket assembly
8	40X0601	1	1	MPF transport pinch roll assembly
9	40X0588	1	1	Sensor (MPF media out)
10	40X0596	1	2	MPF media out actuator kit includes: <ul style="list-style-type: none"> • MPF media out actuator • Upper frame

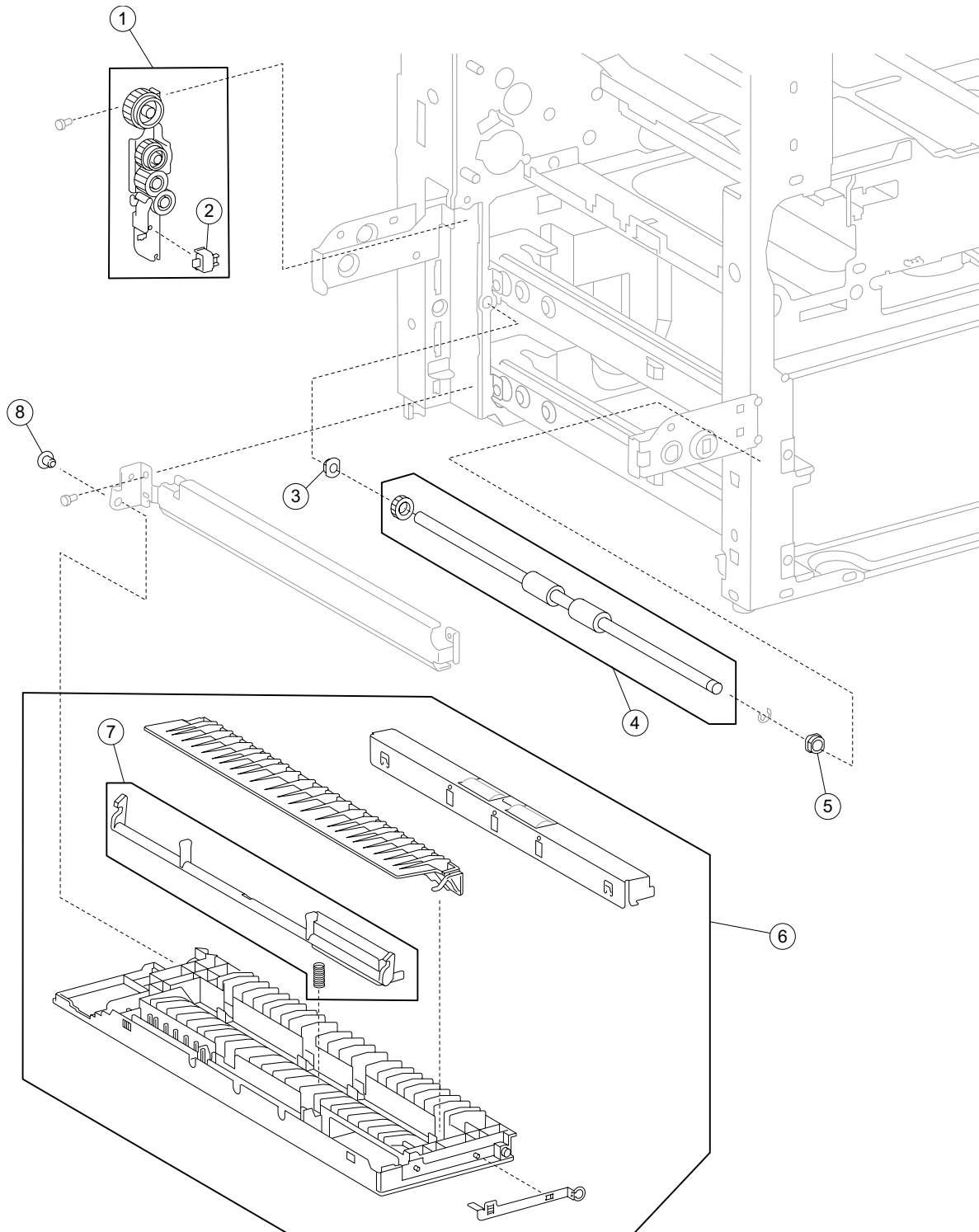
Assembly 7: MPF unit feed



Assembly 7: MPF unit feed

Assembly-Index	Part number	Units/mach	Units/kit or pkg	Description
7-4	40X0605	1	5	MPF transport roll kit includes: <ul style="list-style-type: none"> • MPF transport shaft collar • MPF transport gear 18T • MPF transport roll assembly • Bushing 8 mm (2)
2	40X0603	1	2	MPF pick roll kit includes: <ul style="list-style-type: none"> • Pressure pad • MPF pick roll assembly
3	40X1382	1	6	MPF feed shaft kit includes: <ul style="list-style-type: none"> • MPF feed shaft • MPF feed shaft cam rear • MPF feed shaft cam front • MPF feed shaft roll core (2) • MPF feed roll assembly
4	40X0974	1	2	MPF pressure pad kit includes: <ul style="list-style-type: none"> • Shaft • MPF pressure pad
5	40X1380	2	1	MPF pressure pad spring
6	40X1381	2	1	MPF feed shaft bushing
7	40X0606	1	3	MFP pick solenoid kit includes: <ul style="list-style-type: none"> • Pick lever • Pick solenoid • Spring
8	40X0971	1	2	MPF feed drive gear kit includes: <ul style="list-style-type: none"> • MPF feed gear • MPF feed gear stopper
9	40X0973	1	2	MPF feed cam gear kit includes: <ul style="list-style-type: none"> • MPF feed cam gear • Spring

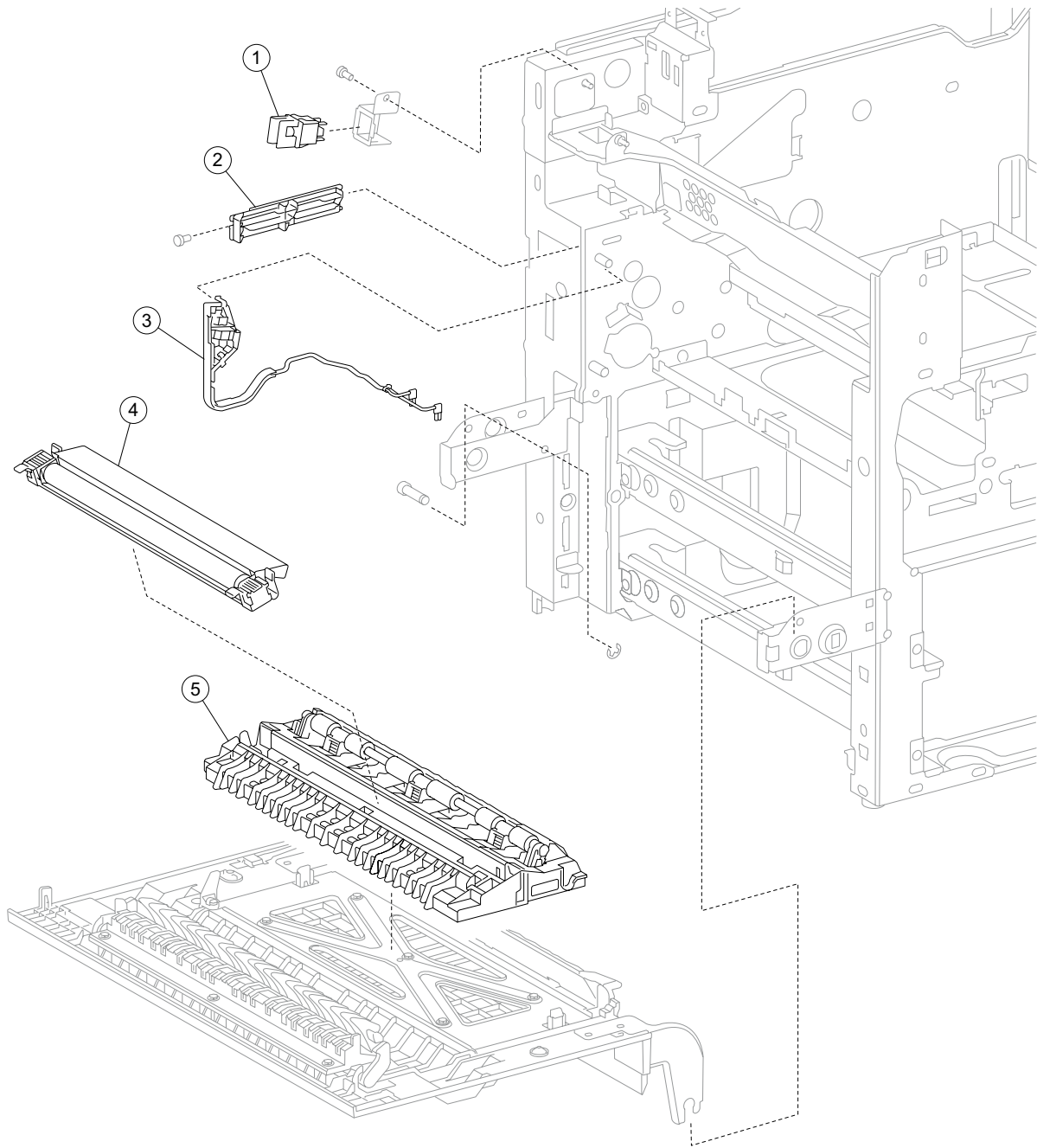
Assembly 8: Left lower door and transport



Assembly 8: Left lower door and transport

Assembly-Index	Part number	Units/mach	Units/kit or pkg	Description
8-4	40X0609	1	1	Vertical drive gear assembly
2	40X0610	1	1	Switch (left lower door interlock)
3	40X1386	1	1	6 mm bushing (transport roll rear)
4	40X1387	1	2	Transport roll kit includes: <ul style="list-style-type: none"> • Transport roll assembly • Transport roll gear 18T
5	40X0878	1	1	8 mm bushing
6	40X0612	1	1	Printer left lower door assembly (this comes assembled)
7	40X0614	1	2	Left lower door handle kit includes: <ul style="list-style-type: none"> • Left lower door handle • Spring
8	40X0613	1	1	Hinge pin

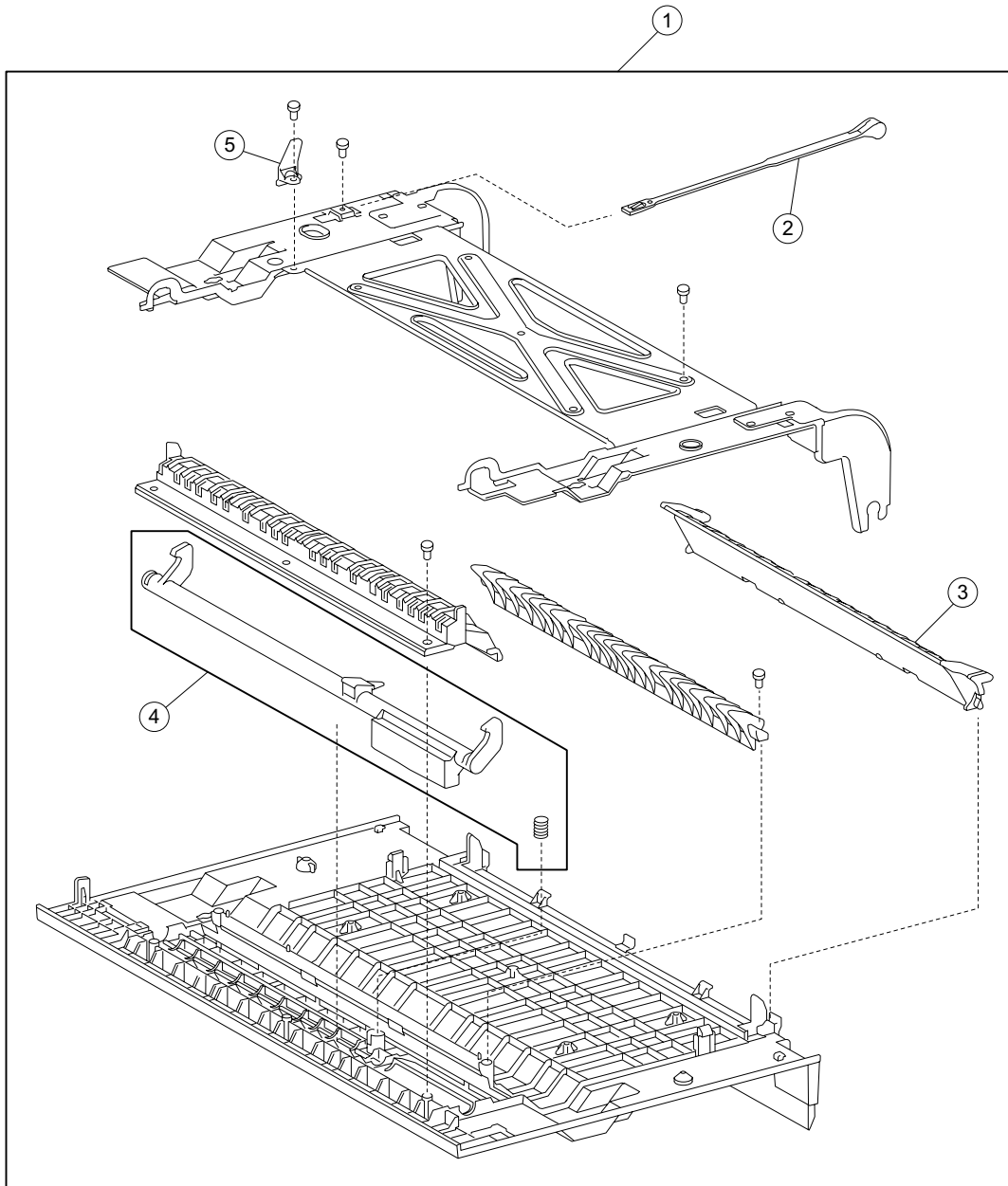
Assembly 9: Left door and transfer roll



Assembly 9: Left door and transfer roll

Assembly-Index	Part number	Units/mach	Units/kit or pkg	Description
9-4	40X0553	1	1	Switch (printer left door interlock)
2	40X0618	1	1	PC cartridge shutter link
3	40X0617	1	1	Transfer roll power contact
4	40X0616	1	1	Transfer roll assembly
5	40X0619	1	1	Transfer roll guide assembly

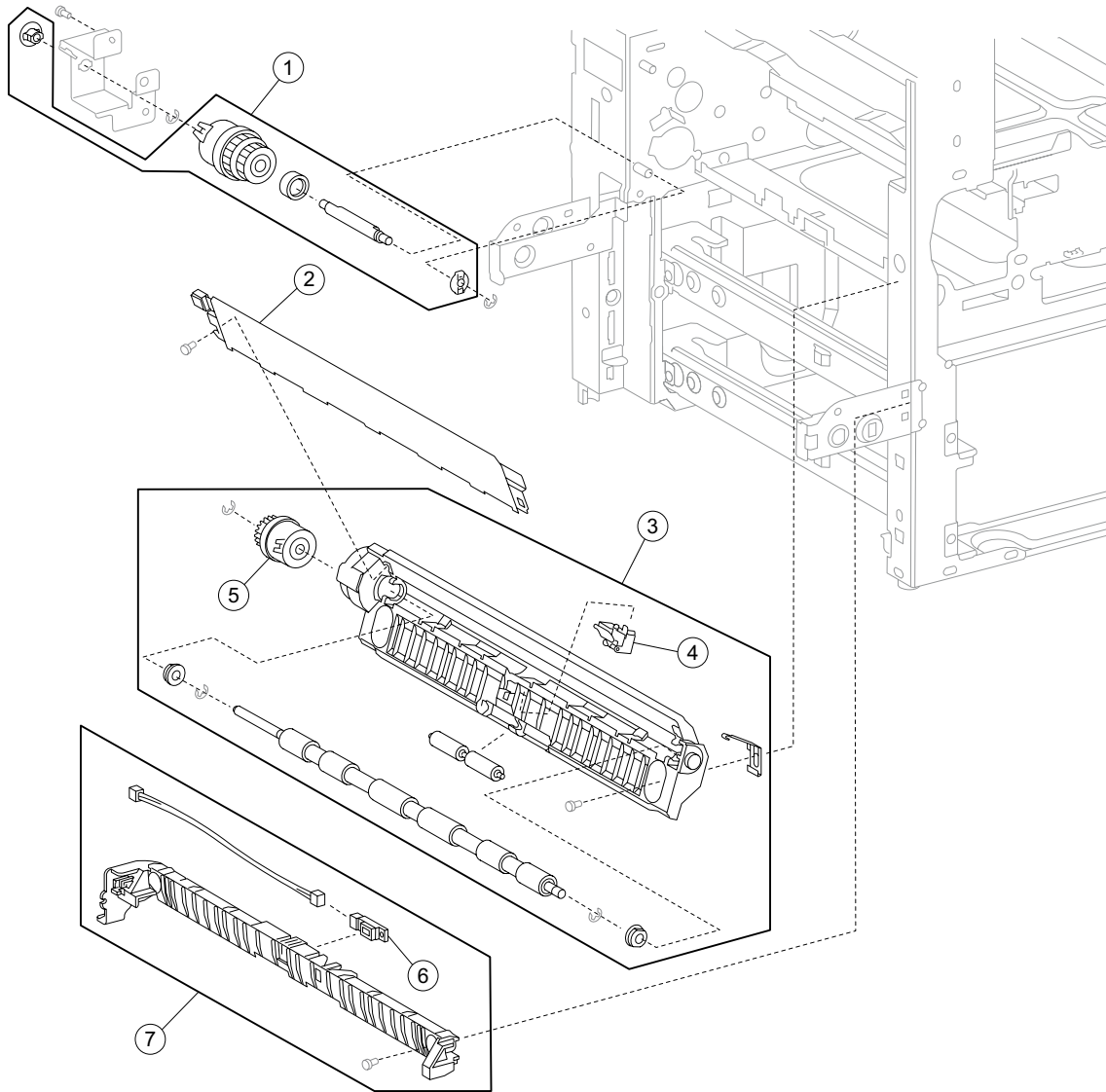
Assembly 10: Printer left door



Assembly 10: Printer left door

Assembly-Index	Part number	Units/mach	Units/kit or pkg	Description
10-1	40X0620	1	1	Printer left door assembly (this comes assembled)
2	40X0624	1	1	Left door support strap
3	40X0623	1	1	Left door duplex entrance guide
4	40X0621	1	2	Printer left door assembly handle kit includes: <ul style="list-style-type: none"> • Printer left door assembly handle • Spring
5	40X0622	1	1	PC cartridge shutter actuator

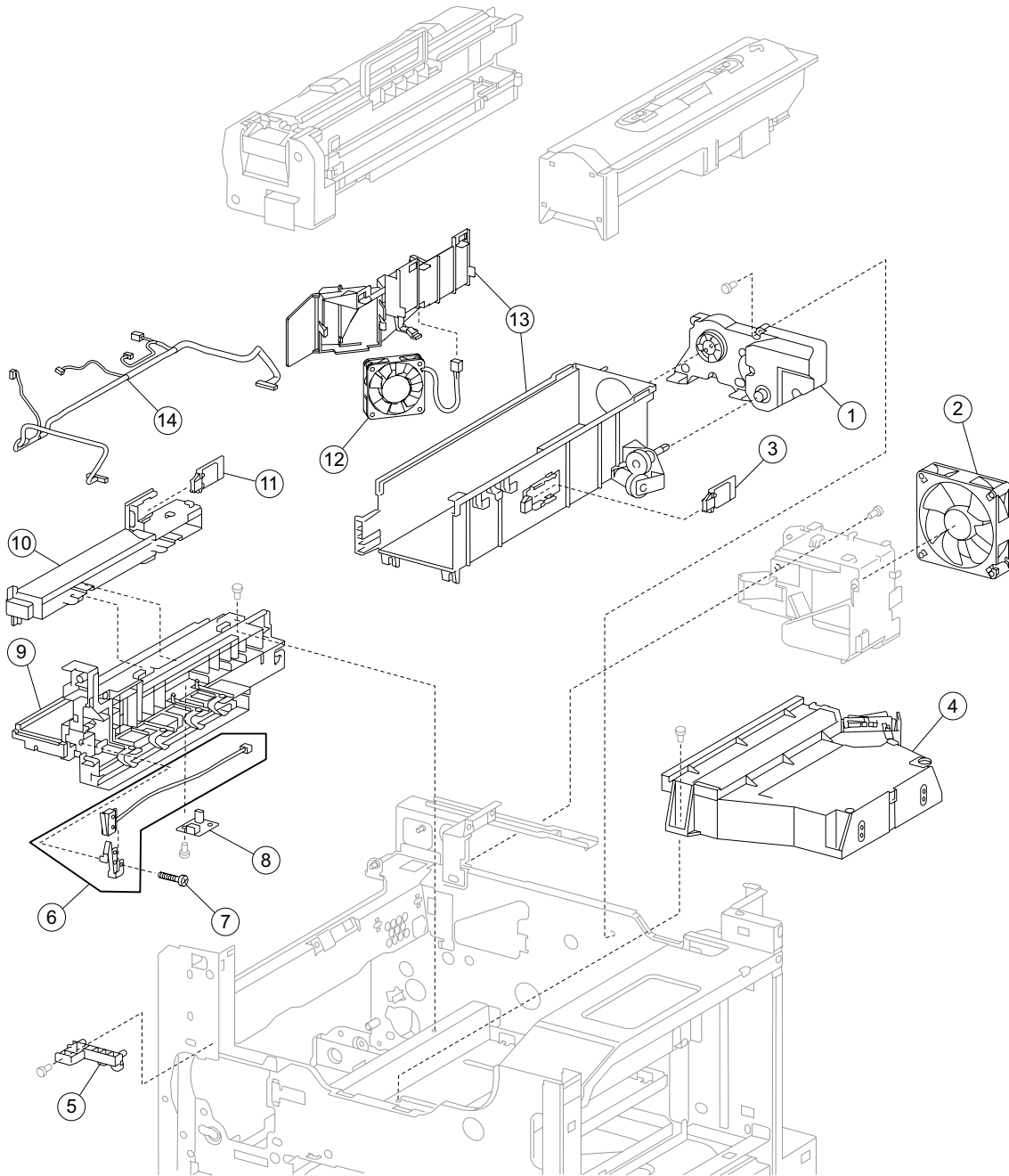
Assembly 11: Registration



Assembly 11: Registration

Assembly-Index	Part number	Units/mach	Units/kit or pkg	Description
11-4	40X0629	1	5	Transport clutch assembly includes: <ul style="list-style-type: none"> • Bushing 4.5 mm front • Bushing 4.5 mm rear • Shaft • Transport clutch gear 19T • Transport clutch
2	40X0628	1	1	Registration mylar guide assembly
3	40X0625	1	1	Registration roll assembly
4	40X0627	1	1	Sensor (registration)
5	40X0626	1	1	Registration clutch
6	40X0589	1	1	Sensor (tray 2 feed-out)
7	40X0630	1	1	Tray 2 feed-out sensor guide

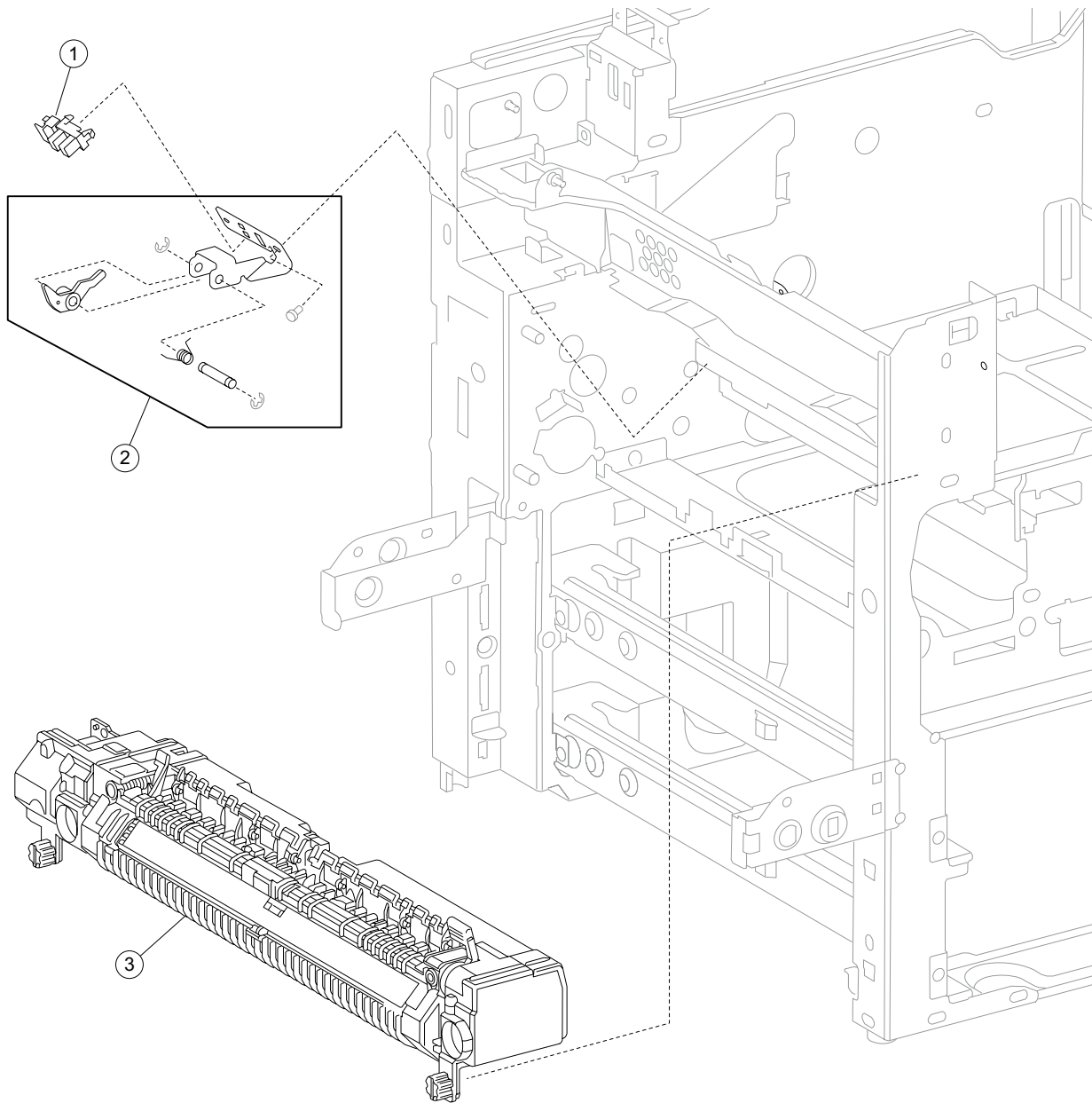
Assembly 12: Printhead, cartridge guides, and fans



Assembly 12: Printhead, cartridge guide and fans

Assembly-Index	Part number	Units/mach	Units/kit or pkg	Description
12-1	40X0639	1	1	Toner add motor assembly
2	40X0640	1	1	Fuser cooling fan
3	40X0636	1	1	Sensor (RFID toner cartridge)
4	40X0641	1	1	Printhead assembly
5	40X0631	1	1	PC cartridge stop
6	40X1390	1	2	Switch (PC cartridge interlock) kit includes: <ul style="list-style-type: none"> • Backup spring • Switch (PC cartridge interlock)
7	40X1389	1	1	PC cartridge interlock switch screw
8	40X0633	1	1	Sensor (hum & temp)
9	40X0634	1	1	PC cartridge guide assembly
10	40X0635	1	1	Laser opening guide
11	40X0636	1	1	Sensor (RFID PC cartridge)
12	40X0643	1	1	PC cartridge cooling fan
13	40X0638	1	2	Toner cartridge guide assembly includes: <ul style="list-style-type: none"> • Toner cartridge guide assembly • PC cartridge cooling fan duct
14	40X0637	1	1	Multi connector cable assembly 1

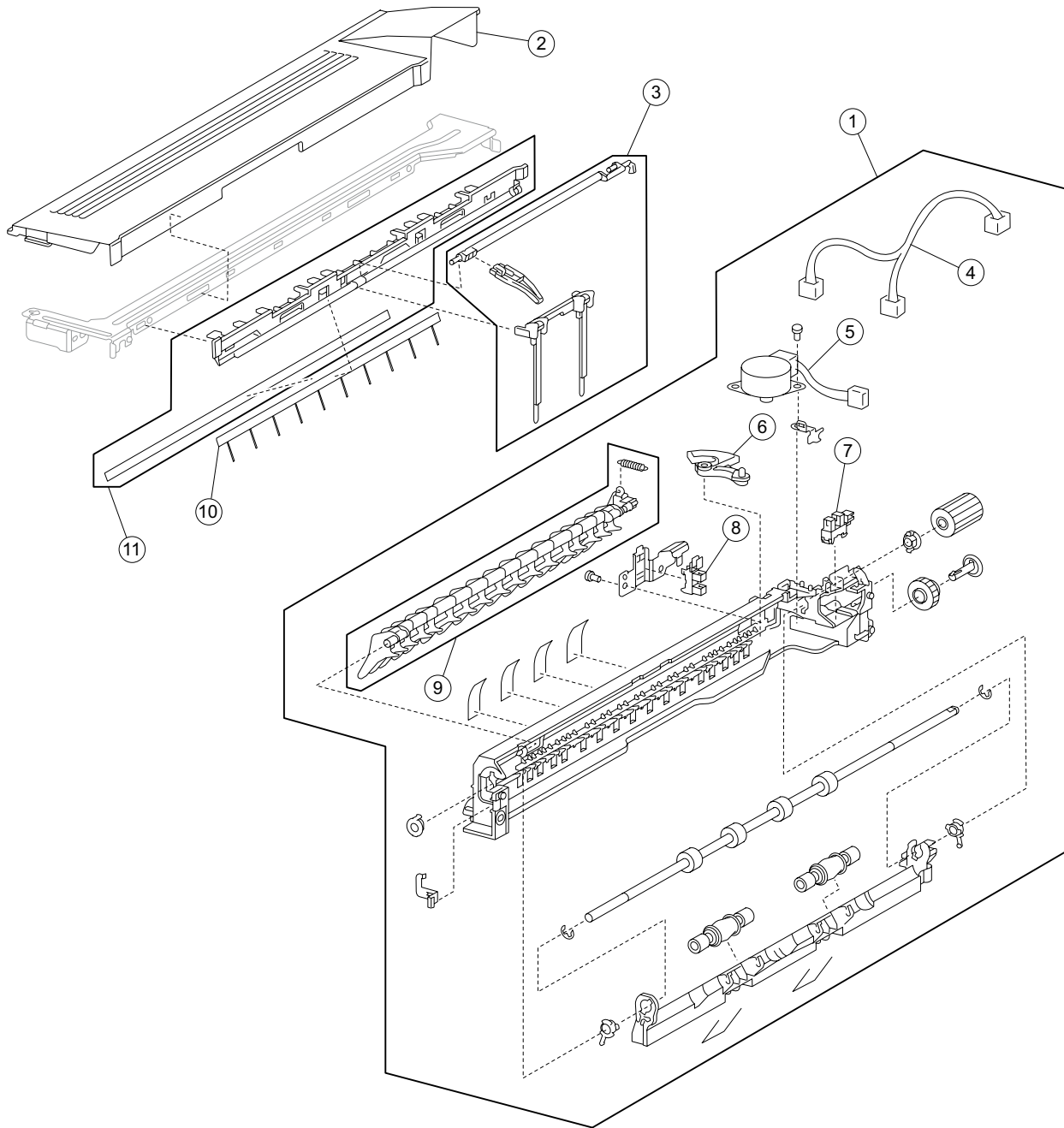
Assembly 13: Fuser



Assembly 13: Fuser

Assembly-Index	Part number	Units/mach	Units/kit or pkg	Description
13-1	40X0588	1	1	Sensor (fuser exit)
2	40X0645	1	4	Fuser exit actuator kit includes: <ul style="list-style-type: none"> • Shaft • Fuser exit actuator • Spring • Bracket
3	40X0647	1	1	Fuser assembly 110V (this comes assembled)
3	40X0648	1	1	Fuser assembly 220V (this comes assembled)
3	40X0646	1	1	Fuser assembly 100V (this comes assembled)

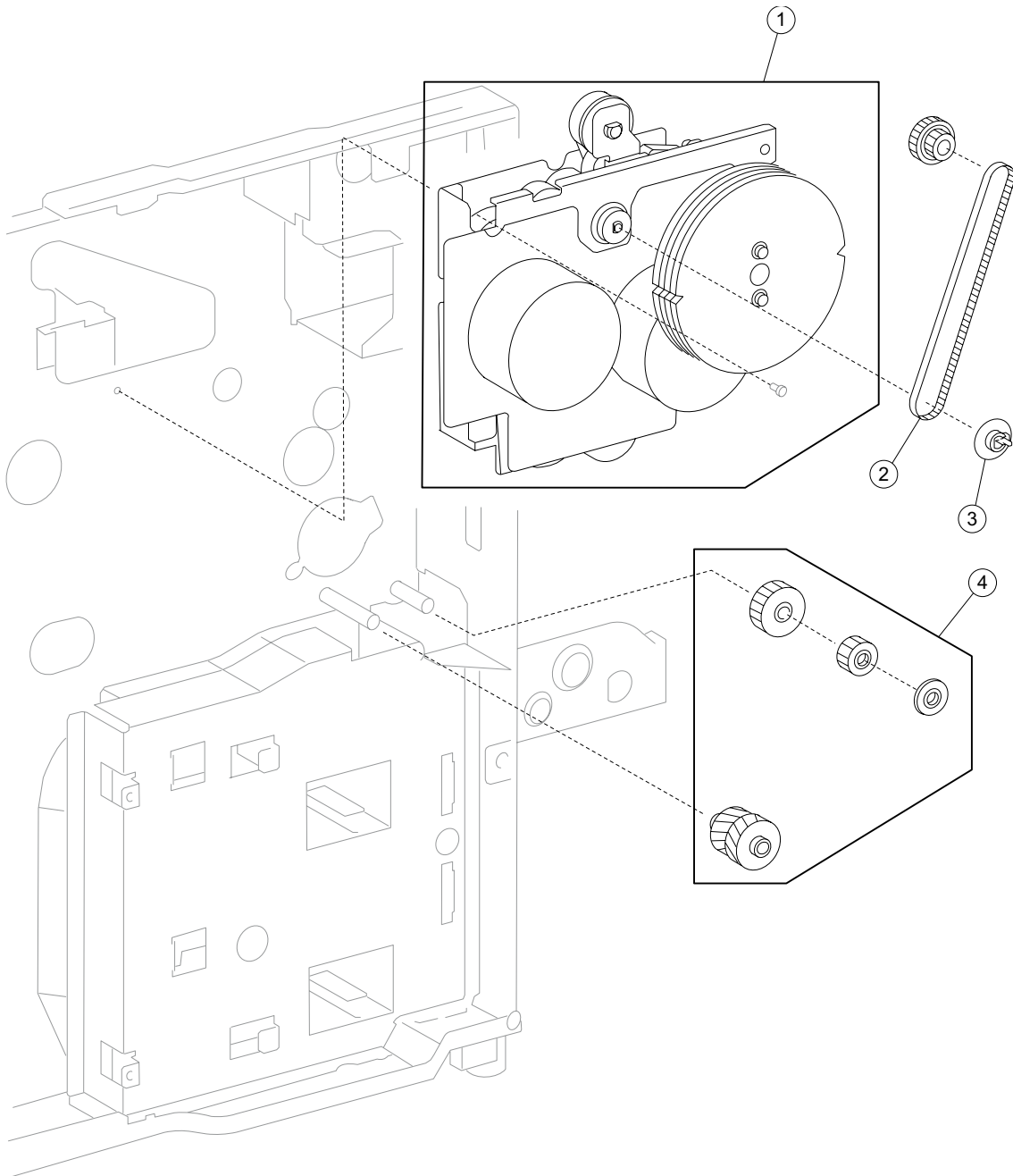
Assembly 14: Standard Exit 1



Assembly 14: Standard Exit 1

Assembly-Index	Part number	Units/mach	Units/kit or pkg	Description
14-1	40X0649	1	1	Exit 1 media shift assembly (this comes assembled)
2	40X0655	1	1	Standard exit 1 top cover
3	40X0657	1	3	Bin full actuator kit includes: <ul style="list-style-type: none"> • Standard bin 1 full shaft • Standard bin 1 full actuator • Output guide
4	40X0650	1	1	Exit 1 sensor cable assembly
5	40X0651	1	1	Media shift motor
6	40X0653	1	1	Exit 1 media shift gear
7	40X0588	1	1	Sensor (standard bin full exit 1)
8	40X0588	1	1	Sensor (exit 1 media shift HP)
9	40X0654	1	2	Media diverter gate kit includes: <ul style="list-style-type: none"> • Media diverter gate • Spring
10	40X1391	1	1	Exit 1 static eliminator
11	40X1392	1	2	Exit 1 media exit guide kit includes: <ul style="list-style-type: none"> • Exit 1 media guide • Exit 1 media guide pad

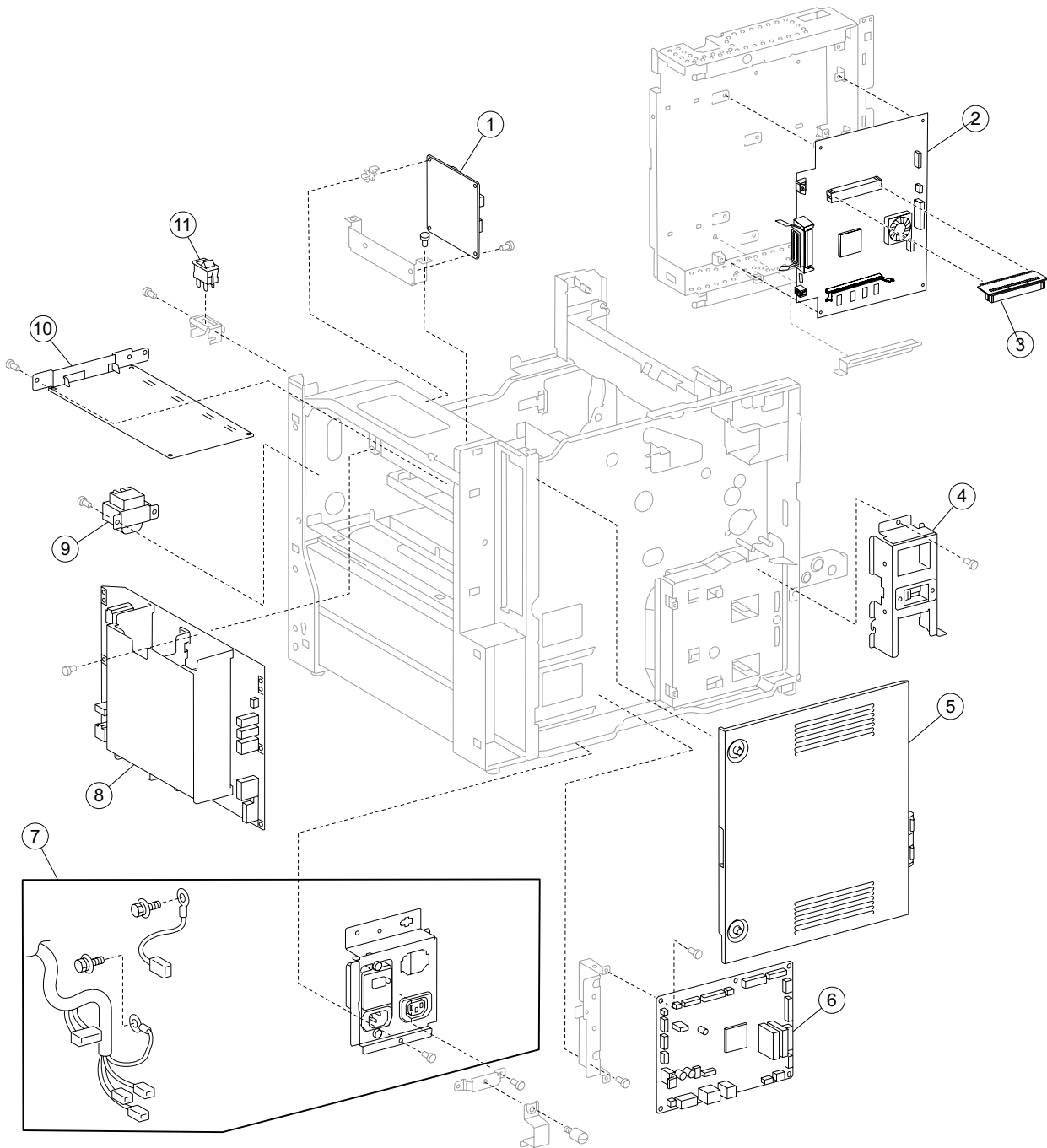
Assembly 15: Dual unit drive motor



Assembly 15: Dual unit drive motor

Assembly-Index	Part number	Units/mach	Units/kit or pkg	Description
15-1	40X0660	1	1	Dual drive motor assembly
2	40X0659	1	1	Exit 1 drive belt
3	40X0661	1	1	Drive belt flange
4	40X0658	1	4	MPF & transport roll idler gear kit includes: <ul style="list-style-type: none"> • Transport roll idler gear 28T • MPF idler gear 18T • Flange • Transport/MPF idler gear 21/21T

Assembly 16: Electrical



Assembly 16: Electrical

Assembly-Index	Part number	Units/mach	Units/kit or pkg	Description
16-4	40X0664	1	1	Exit interface card assembly
2	40X0642	1	1	RIP card assembly
3	40X0964	1	1	Interconnect card assembly
4	40X0673	1	1	HCF hookup connector assembly
5	40X0672	1	1	Rear RIP card cover
6	40X0665	1	1	Printer engine card assembly
7	40X0670	1	7	AC power input socket kit includes: <ul style="list-style-type: none"> • Screws 4 mm (2) • Bracket • AC power input socket • Ground wire • Main AC cable assembly • Finisher AC output
8	40X0666	1	1	LVPS 100/110V
8	40X0667	1	1	LVPS 220V
9	40X0668	1	1	Choke coil 220V (220V model only)
10	40X0662	1	1	HVPS
11	40X0663	1	1	Switch (main power)

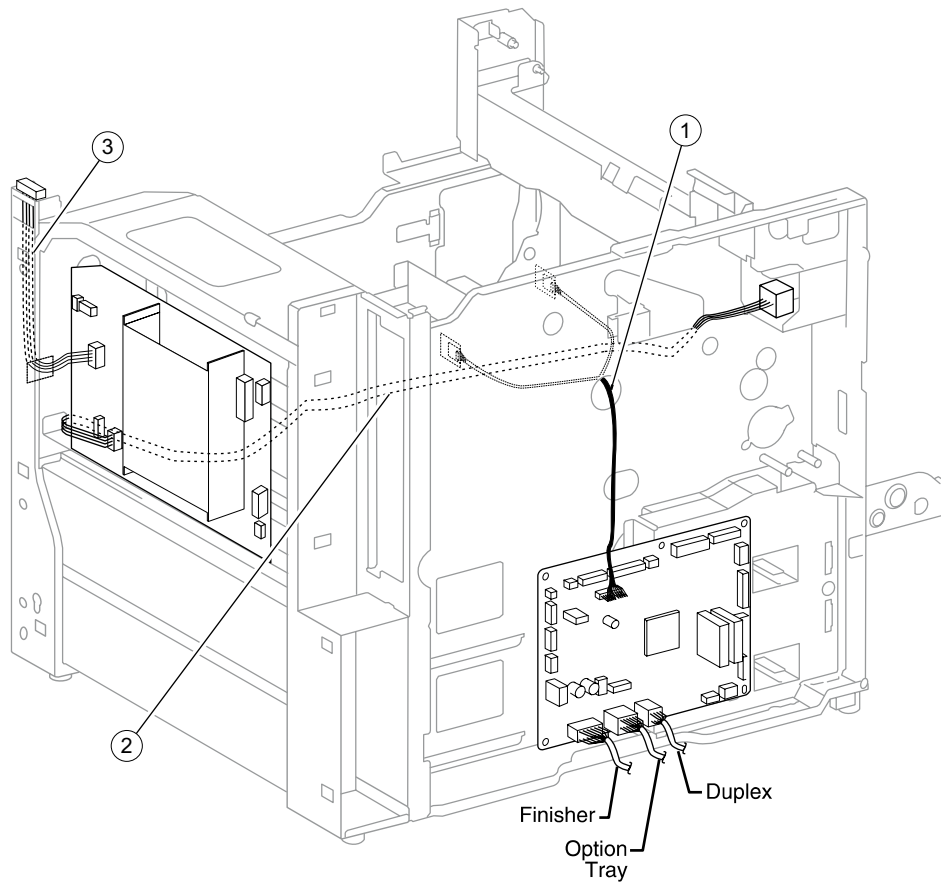
Warning: In the event of replacement of any one of the following components:

- Operator panel assembly
- RIP card assembly
- Interconnect card assembly

Only replace one component at a time. Replace the required component and perform a POR before replacing a second component listed above. If this procedure is not followed, the printer will be rendered inoperable. Never replace two or more of the components listed above without a POR after installing each one or the printer will be rendered inoperable.

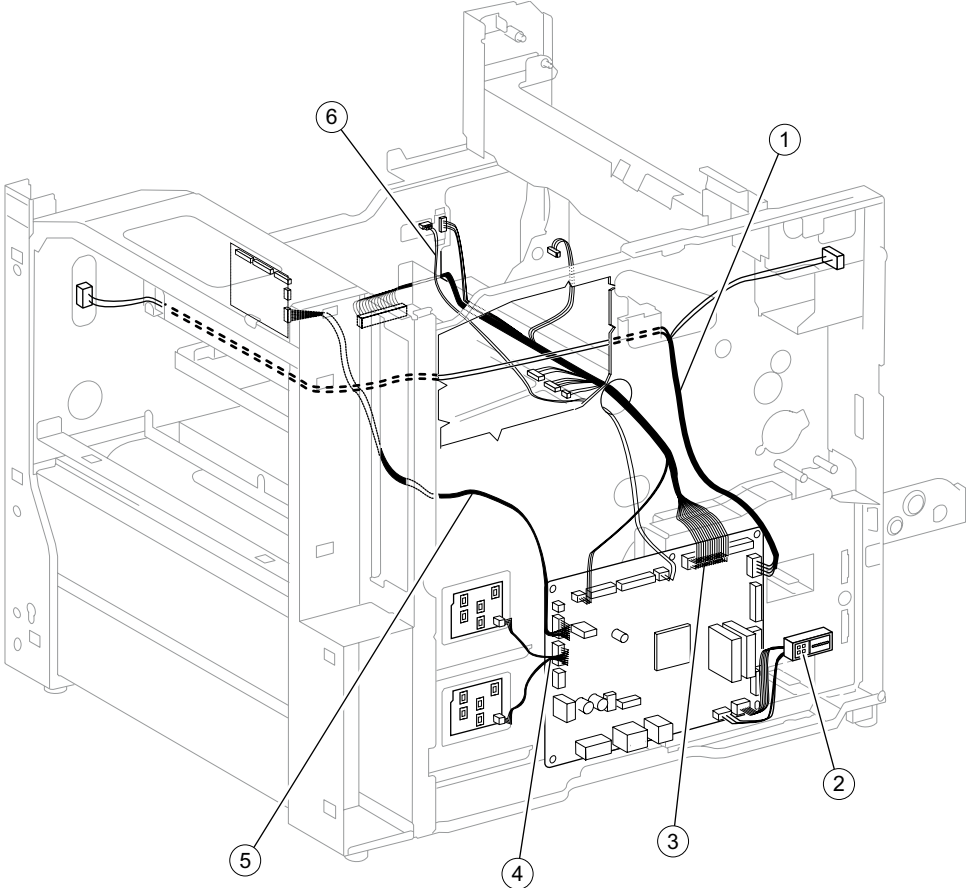
Warning: Never install and remove components listed above as a method of troubleshooting components. Once a component has been installed in a machine, it can not be used in another machine. It must be returned to the manufacturer.

Assembly 17: Electrical cables



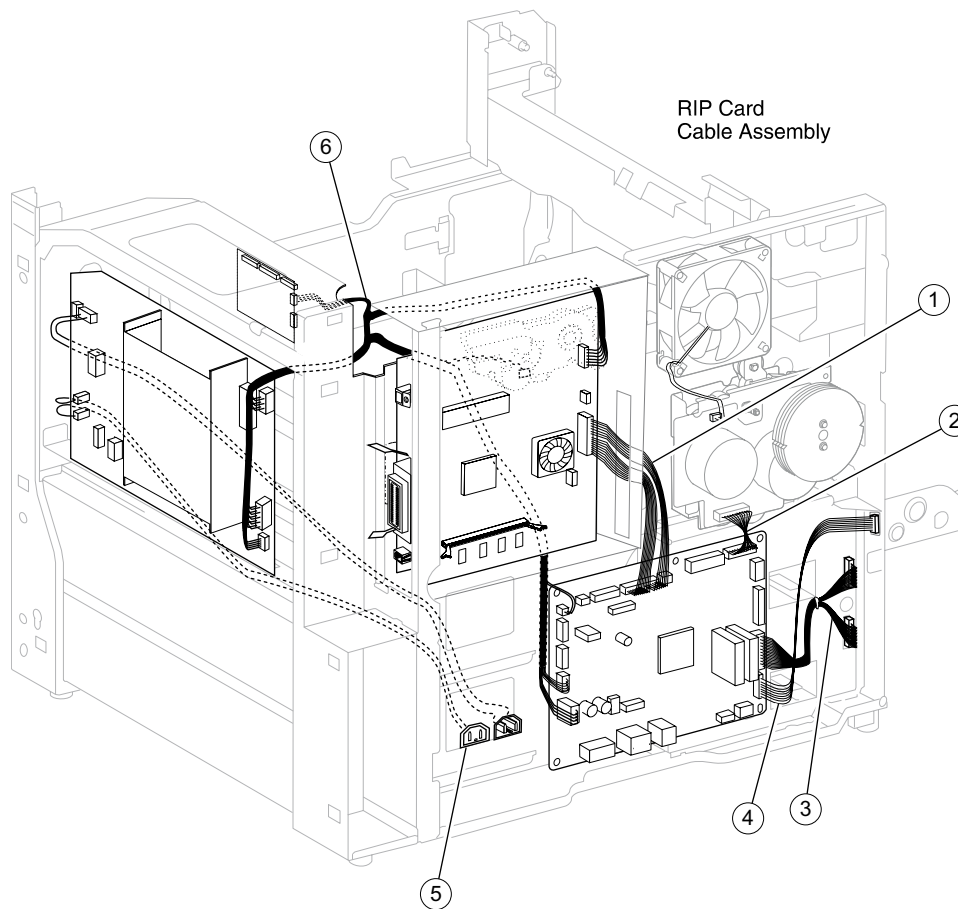
assem bly- Index	Part number	Units/ mach	Units/kit or pkg	Description
17-4	40X0686	1	1	RFID sensor cable assembly
2	40X0681	1	1	Fuser AC cable assembly
3	40X0684	1	1	Main switch cable assembly

Assembly 18: Electrical cables



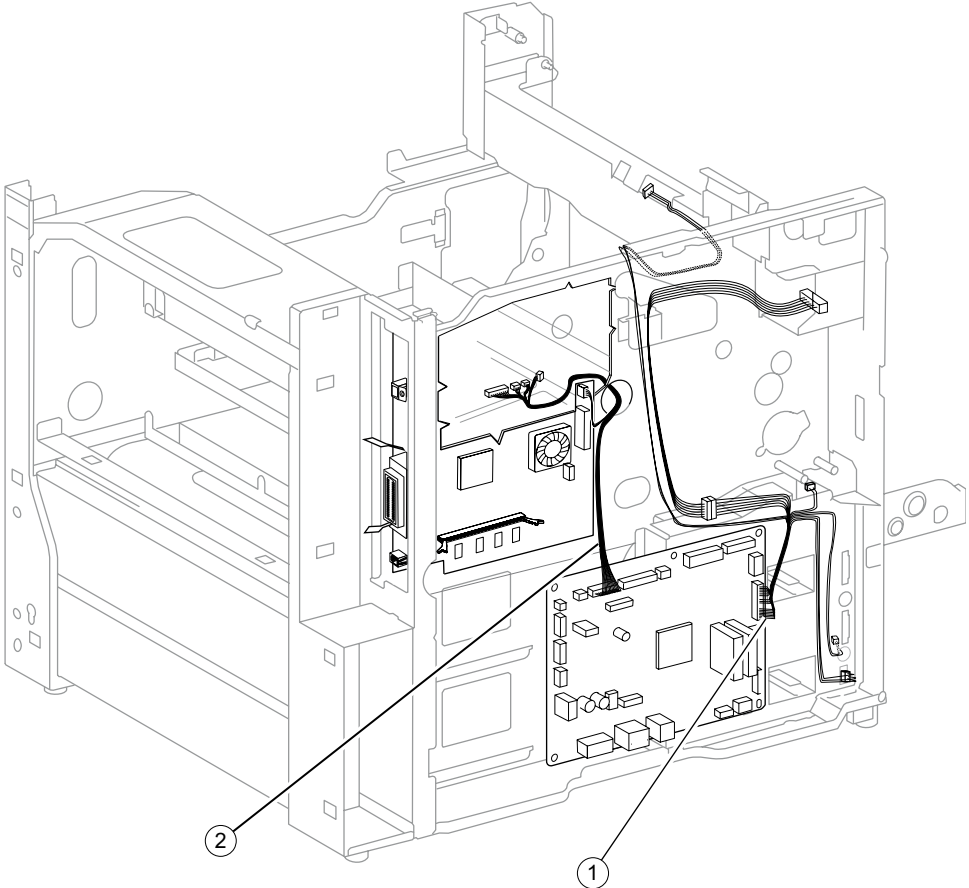
Assem bly- Index	Part number	Units/ mach	Units/kit or pkg	Description
18-4	40X0683	1	1	Interlock switch cable assembly
2	40X0673	1	1	HCF hookup connector assembly
3	40X0637	1	1	Multi connector cable assembly 1
4	40X0676	1	1	Media size switch cable assembly
5	40X0682	1	1	Multi connector cable assembly 3
6	40X1390	1	2	Switch (PC cartridge interlock) kit includes: <ul style="list-style-type: none"> • Backup spring • Switch (PC cartridge interlock)

Assembly 19: Electrical cables



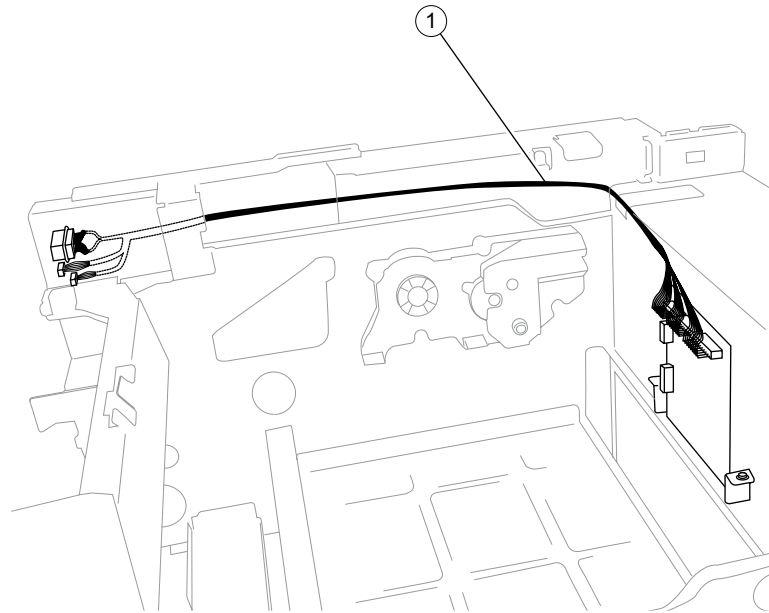
Assem- bly- Index	Part number	Units/ mach	Units/kit or pkg	Description
19-4	40X0677	1	1	RIP card cable assembly
2	40X0685	1	1	Dual drive motor cable assembly
3	40X0674	1	1	Media feed unit cable assembly
4	40X0675	1	1	MPF hookup cable assembly
5	40X0670	1	7	AC power input socket kit includes: <ul style="list-style-type: none"> • Screws 4 mm (2) • Bracket • AC power input socket • Ground wire • Main AC cable assembly • Finisher AC output
6	40X0682	1	1	Multi connector cable assembly 3

Assembly 20: Electrical cables



Assem bly- Index	Part number	Units/ mach	Units/kit or pkg	Description
20-4	40X0680	1	1	Multi connector cable assembly 2
2	40X0678	1	1	Printhead cable assembly

Assembly 21: Electrical cable



Assembly-Index	Part number	Units/mach	Units/kit or pkg	Description
21-4	40X0679	1	1	Exit interface cable assembly

Assembly 22: Power cords

Assem bly- Index	Part number	Units/ mach	Units/kit or pkg	Description
22-NS	40X0269	1	1	Power cord- USA ET AL 8ft right angle
NS	40X0270	1	1	Power cord- Japan 8ft 15A straight
NS	40X0274	1	1	Power cord- Switzerland 6ft straight
NS	40X0275	1	1	Power cord- Israel 6ft straight
NS	40X0276	1	1	Power cord- South Africa 6ft straight
NS	40X0277	1	1	Power cord- Brazil 6ft high amp straight
NS	40X0278	1	1	Power cord- Austria HV 6ft straight
NS	40X0279	1	1	Power cord- Danish 6ft straight
NS	40X0280	1	1	Power cord- Korea 10A3 cond. 6ft straight
NS	40X0281	1	1	Power cord- Taiwan 13A cond. 6ft straight
NS	40X0282	1	1	Power cord- Peoples Republic of China straight 1.77m
NS	40X0286	1	1	Power cord- United Kingdom 6ft straight
NS	40X0287	1	1	Power cord- Italy 6ft straight
NS	40x0288	1	1	Power cord- Argentina 8ft straight
NS	40X0296	1	1	Power cord- Australia 6ft straight
NS	40X0297	1	1	Power cord- USA ET AL 6ft straight

Assembly 23: Miscellaneous

Asm-Index	Part number	Units/mach	Units/kit or pkg	Description
23-NS	7374474	1	1	W840 Repacking kit
NS	40X0179	1	1	Nyogel 744 grease packet
NS	40X0248	1	1	Cx/Tx card assembly
NS	40X0250	1	1	9-pin to Twinax cable
NS	40X0251	1	1	9-pin to Coax (BNC) cable
NS	40X0252	1	1	9-pin to 9-pin cable assembly
NS	40X0290	1	1	RS232C serial interface card
NS	40X0291	1	1	Parallel 1284-B interface card
NS	40X0956	1	14	Maintenance kit (110 V) <ul style="list-style-type: none"> • Fuser unit assembly • Transfer roll assembly • Feed rolls (4) • Pick rolls (4) • Separation rolls (4)
NS	40X0957	1	14	Maintenance kit (220 V) <ul style="list-style-type: none"> • Fuser unit assembly • Transfer roll assembly • Feed rolls (4) • Pick rolls (4) • Separation rolls (4)
NS	40X0958	1	14	Maintenance kit (100 V) <ul style="list-style-type: none"> • Fuser unit assembly • Transfer roll assembly • Feed rolls (4) • Pick rolls (4) • Separation rolls (4)
NS	40X1375	1	1	MarkNet 8000 Fast Ethernet
NS	40X1376	1	1	MarkNet 8020 Gigabit Ethernet
NS	40X1377	1	1	MarkNet 8030 Fiber Ethernet
NS	40X1378	1	1	MarkNet 8050 wireless, US
NS	40X1562	1	1	MarkNet 8050 wireless, non-US
NS	40X1393	1	1	Bar code card assembly
NS	40X1394	1	1	PRESCRIBE card assembly
NS	40X1395	1	1	PrintCryption card assembly
NS	40X1396	1	1	Single-byte forms card assembly
NS	40X1397	1	1	Double-byte forms card assembly
NS	40X1508	1	1	128MB memory option
NS	40X1509	1	1	256MB memory option
NS	40X1510	1	1	512MB memory option
NS	40X1512	1	1	Japanese font card
NS	40X1513	1	1	Simplified Chinese font card
NS	40X1514	1	1	Traditional Chinese font card
NS	40X1515	1	1	Korean font card

Assembly 23 (continued): Miscellaneous

Asm-Index	Part number	Units/option	Units/kit or pkg	Description
NS	40X1564	1	1	32MB Flash card
NS	40X1565	1	1	64MB Flash card
NS	56P9982	1	1	Hard disk with adapter– 20+GB

Options Parts catalog

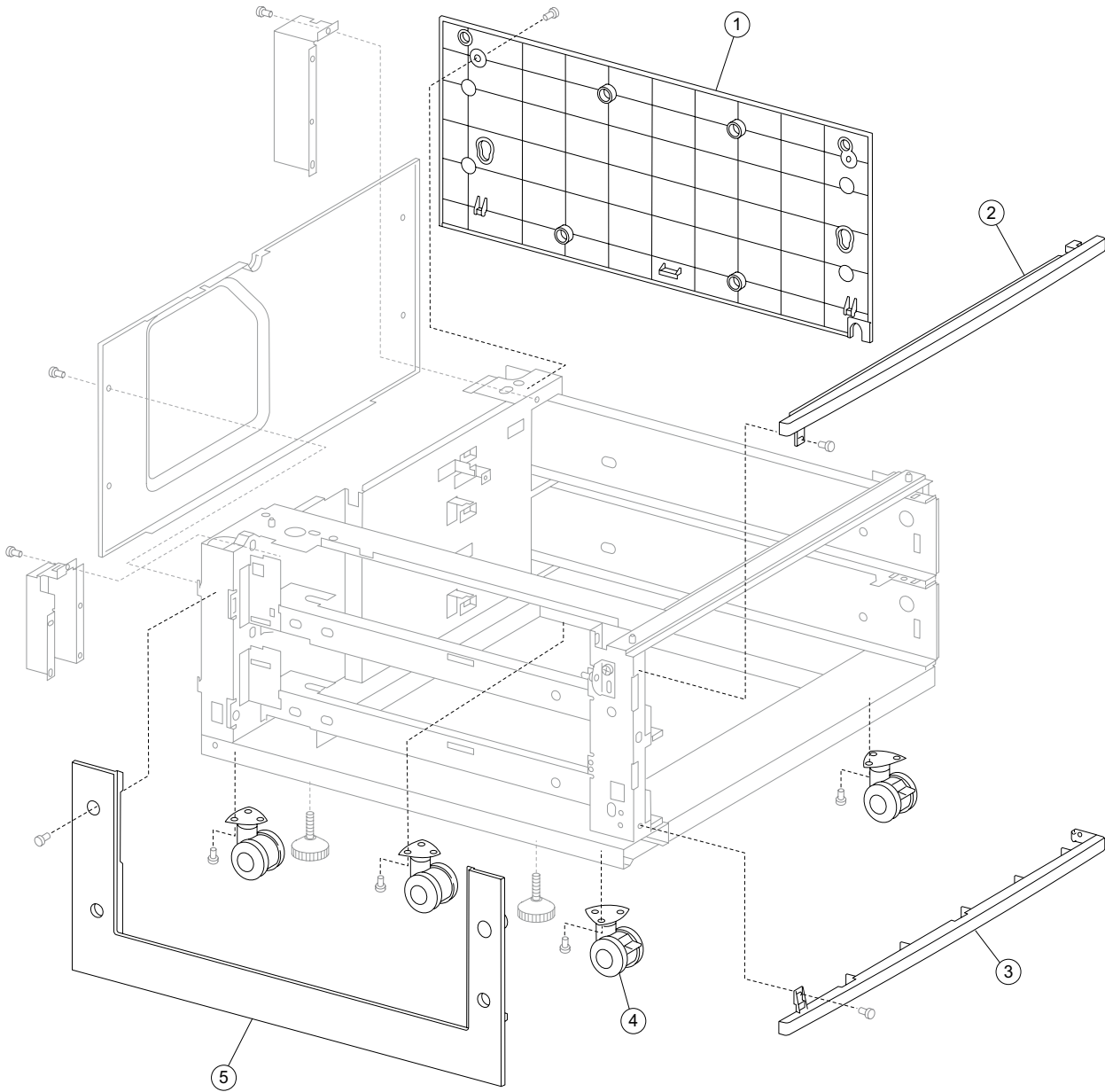
How to use this parts catalog

The following legend is used in the parts catalog:

Asm-Index	Part number	Units/option	Units/FRU	Description
-----------	-------------	--------------	-----------	-------------

- **Asm-index:** Identifies the assembly and the item in the diagram. For example 3-1 indicates Assembly 3 and item number 1 in the table.
- **Part number:** Identifies the unique number that identifies this FRU.
- **Units/option:** Refers to the number of units in a particular option. It does not include the rest of the base machine.
- **Units/FRU:** Refers to the number of units packaged together and identified by the part number.
- **NS:** (Not shown) in the Assembly-Index column indicates that the part is procurable but is not pictured in the illustration.
- **PP:** (Parts Packet) in the parts description column indicates the part is contained in a parts packet.

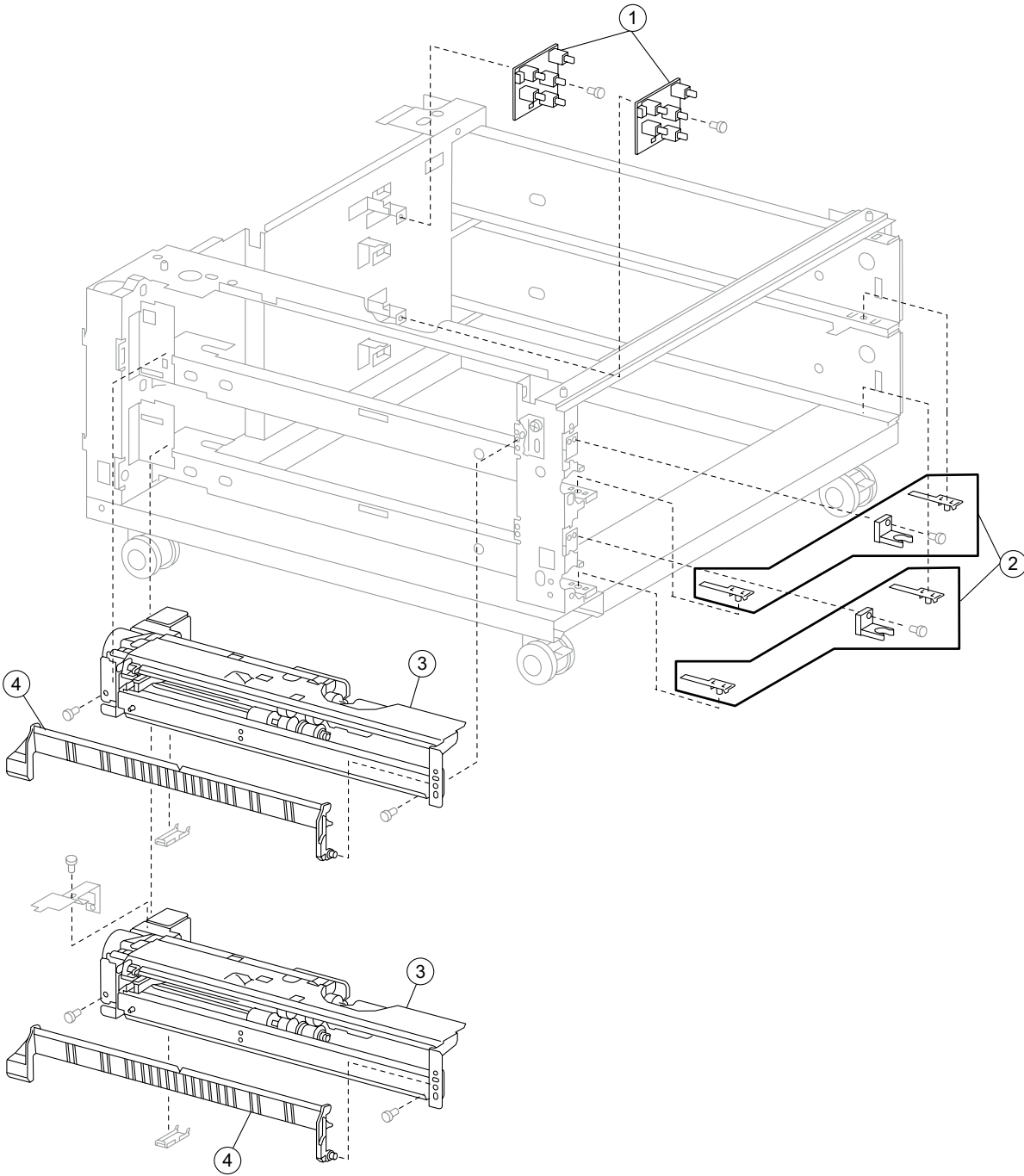
Assembly 1: 2X 500-sheet drawer (2TM)—covers



Assembly 1: 2X 500-sheet drawer (2TM)—covers

Asm-Index	Part number	Units/option	Units/FRU	Description
1—1	40X0689	1	1	Right cover
2	40X0687	1	1	Top cover
3	40X0688	1	1	Foot cover
4	40X0691	4	1	Locking caster
5	40X0690	1	1	Left cover

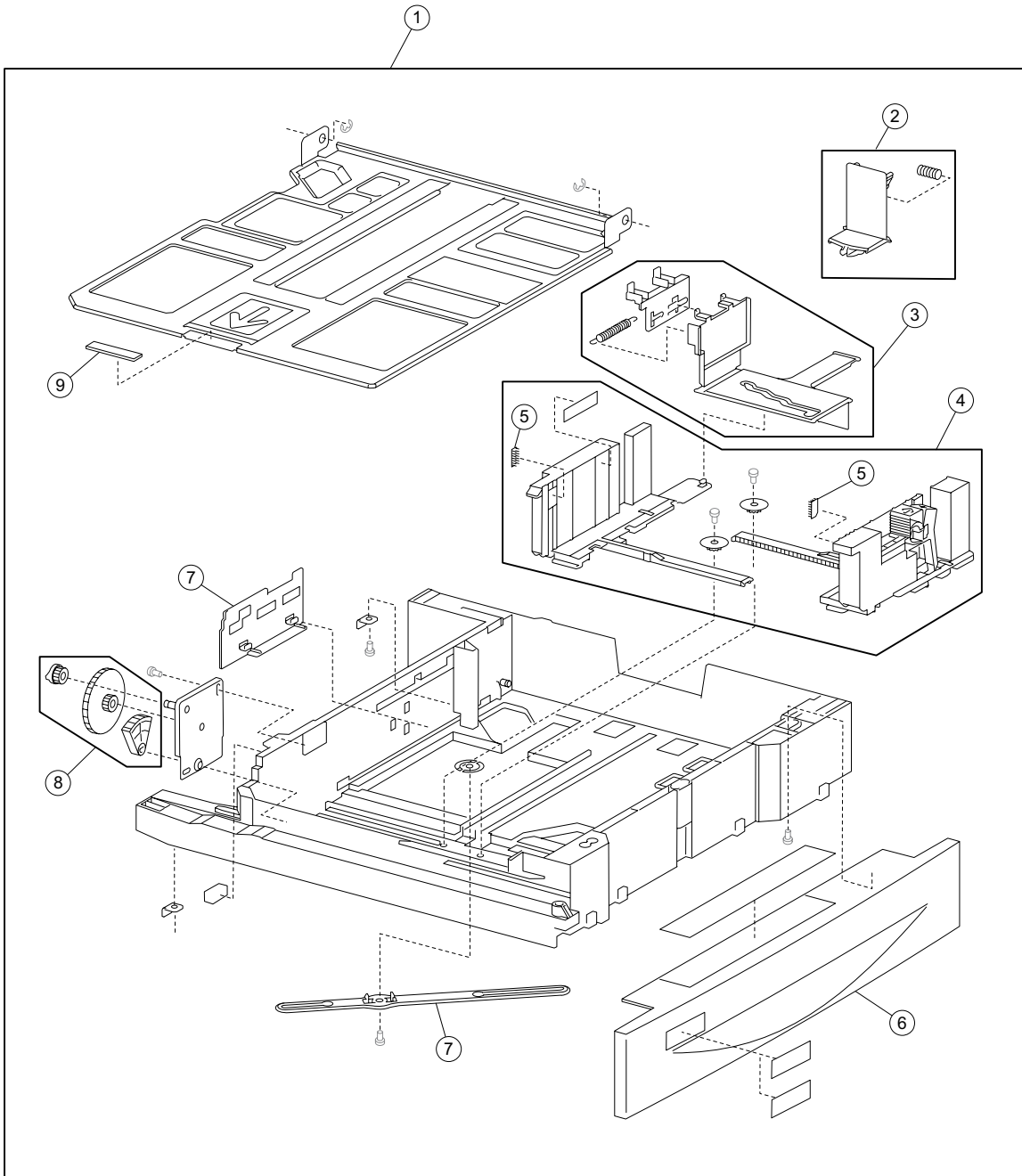
Assembly 2: 2X 500-sheet drawer (2TM)—media tray and media feed units



Assembly 2: 2X 500-sheet drawer (2TM)—media tray and media feed units

Asm-Index	Part number	Units/option	Units/FRU	Description
2—1	40X0570	2	1	Switch (media size)
2	40X0569	2	3	Media tray catch kit includes: <ul style="list-style-type: none">• Media tray catch• Media tray slide (2)
3	40X0581	2	1	Media feed unit assembly (this comes assembled)
4	40X0572	2	1	Vertical turn guide

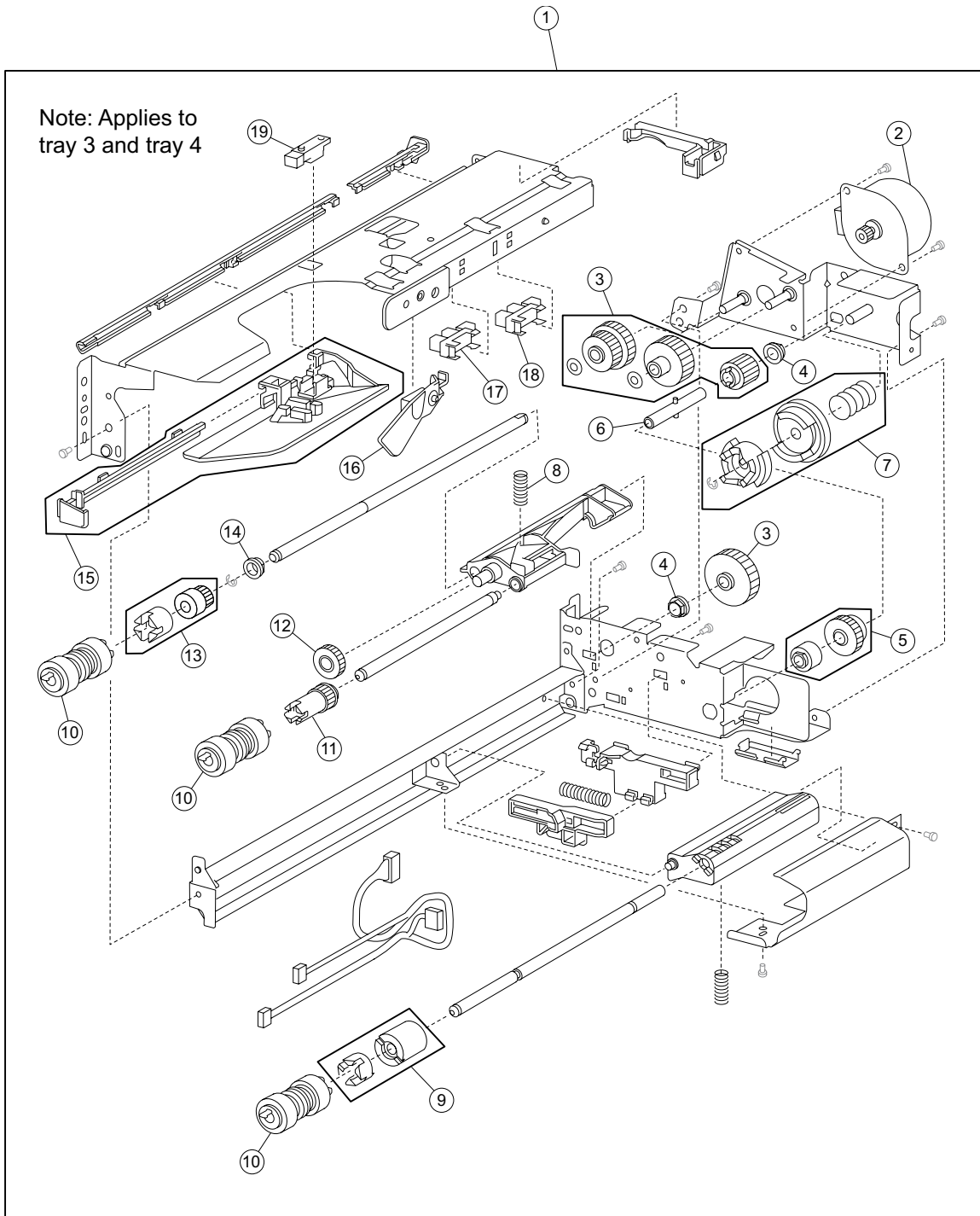
Assembly 3: 2X 500-sheet drawer (2TM)—media tray



Assembly 3: 2X 500-sheet drawer (2TM)—media tray

Asm-Index	Part number	Units/ option	Units/ FRU	Description
3-1	40X0573	2	3	Media tray assembly (this comes assembled) <ul style="list-style-type: none"> • Media tray assembly • Labels (2)
2	40X0578	2	2	Media tray end guide kit includes: <ul style="list-style-type: none"> • Media tray end guide • Spring
3	40X0577	2	4	Media tray side guide actuator kit includes: <ul style="list-style-type: none"> • Media side guide actuator • Media side guide slide (2) • Spring
4	40X0576	2	5	Media tray side guide kit includes: <ul style="list-style-type: none"> • Media max label • Front media tray guide assembly • Rear media tray guide • Pinion gear (2)
5	40X0966	4	1	Media tray separation brush
6	40X0574	2	1	Media tray front cover
7	40X0579	2	2	Media tray end guide actuator kit includes: <ul style="list-style-type: none"> • Media end guide actuator • Actuator link
8	40X0580	2	3	Media tray lift gear kit includes: <ul style="list-style-type: none"> • Tray lift coupling gear 13T • Tray lift gear 13/60T • Tray lift sector gear 12T
9	40X0965	2	1	Media tray separation pad

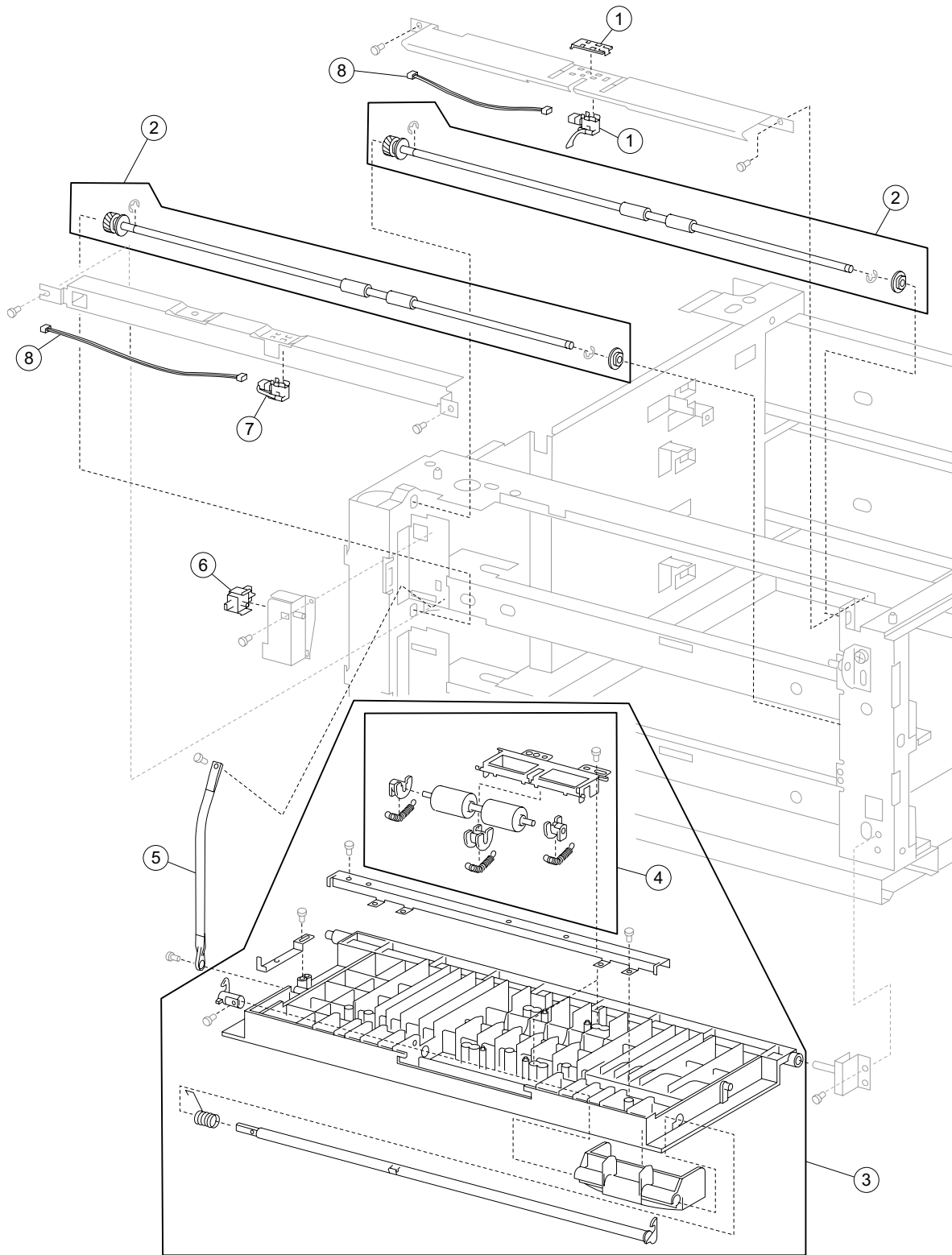
Assembly 4: 2X 500-sheet drawer (2TM)—media feed unit



Assembly 4: 2X 500-sheet drawer (2TM)—media feed unit

Asm-Index	Part number	Units/ option	Units/ FRU	Description
4-1	40X0581	2	1	Media feed unit assembly (this comes assembled)
2	40X0582	2	1	Media feed lift motor
3	40X0585	2	6	Media feed drive gear kit includes: <ul style="list-style-type: none"> • Media feed unit drive gear 13T • Media feed unit drive gear 28/21T • Media feed unit drive gear 29T • Media feed unit drive gear 27T • 2 mm washer (2)
4	40X0880	2	1	6 mm bushing
5	40X0967	2	2	Media tray lift one-way clutch/gear includes: <ul style="list-style-type: none"> • Media tray lift one-way clutch • Media tray lift one-way gear
6	40X0968	2	1	Media tray lift one-way shaft
7	40X0583	2	3	Tray lift coupling kit includes: <ul style="list-style-type: none"> • Tray lift coupling • Tray lift coupling gear 31T • Spring
8	40X0590	2	1	Pick roll assembly spring
9	40X0593	2	2	Separation roll friction clutch kit includes: <ul style="list-style-type: none"> • Separation roll one-way friction clutch • Separation roll spacer
10	40X0594	2	3	Feed unit roll kit includes: <ul style="list-style-type: none"> • Feed roll • Pick roll • Separation roll
11	40X0970	2	1	Pick roll drive gear
12	40X0969	2	1	Pick roll idler gear
13	40X0591	2	2	Feed roll one-way clutch kit includes: <ul style="list-style-type: none"> • Feed roll one-way clutch • Feed roll one-way gear 22T
14	40X0952	2	1	6 mm bushing
15	40X0586	2	2	Media feed unit front guide kit includes: <ul style="list-style-type: none"> • Media feed unit front guide • Media feed unit front guide rail
16	40X0587	2	1	Media out actuator
17	40X0588	2	1	Sensor (media out)
18	40X0588	2	1	Sensor (media level)
19	40X0589	2	1	Sensor (pre-feed)

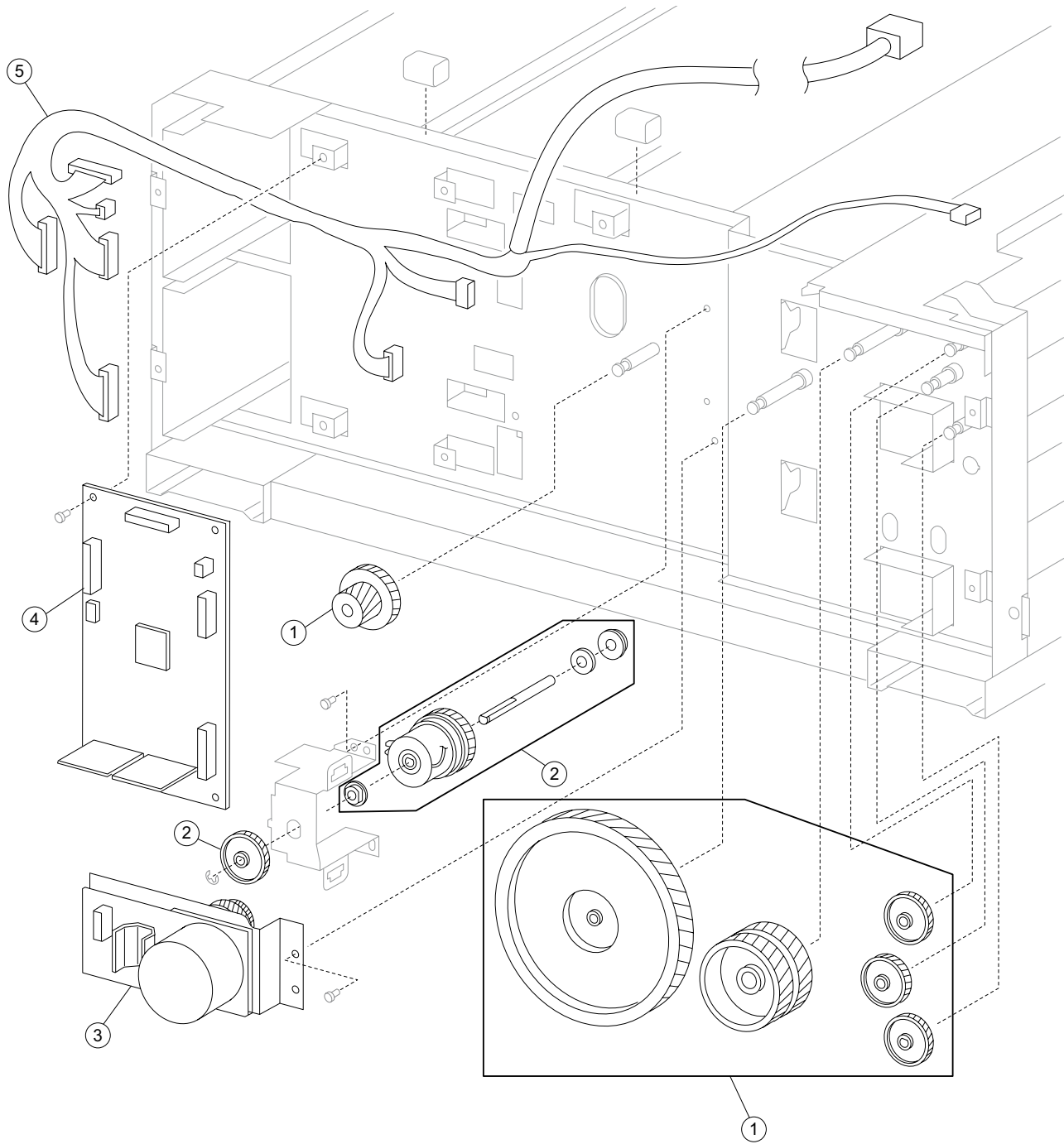
Assembly 5: 2X 500-sheet drawer (2TM)—left door



Assembly 5: 2X 500-sheet drawer (2TM)—left door

Asm-Index	Part number	Units/option	Units/FRU	Description
5—1	40X0692	1	2	Sensor (tray 3 feed-out) kit includes: <ul style="list-style-type: none"> • Sensor (tray 3 feed-out) • Sensor protector
2	40X0695	2	2	2TM/TTM media transport roll assembly includes: <ul style="list-style-type: none"> • 2TM/TTM media transport roll assembly • Bushing 8 mm
3	40X0733	1	1	2TM/TTM left door assembly (this comes assembled)
4	40X0696	1	1	2TM/TTM left door pinch roll assembly (this comes assembled)
5	40X0697	1	1	2TM/TTM left door support strap
6	40X0610	1	1	Switch (2TM/TTM left door interlock)
7	40X0694	1	1	Sensor (tray 4 feed-out)
8	40X0693	1	2	Sensor cable kit includes: <ul style="list-style-type: none"> • Tray 3 feed-out sensor cable • Tray 4 feed-out sensor cable

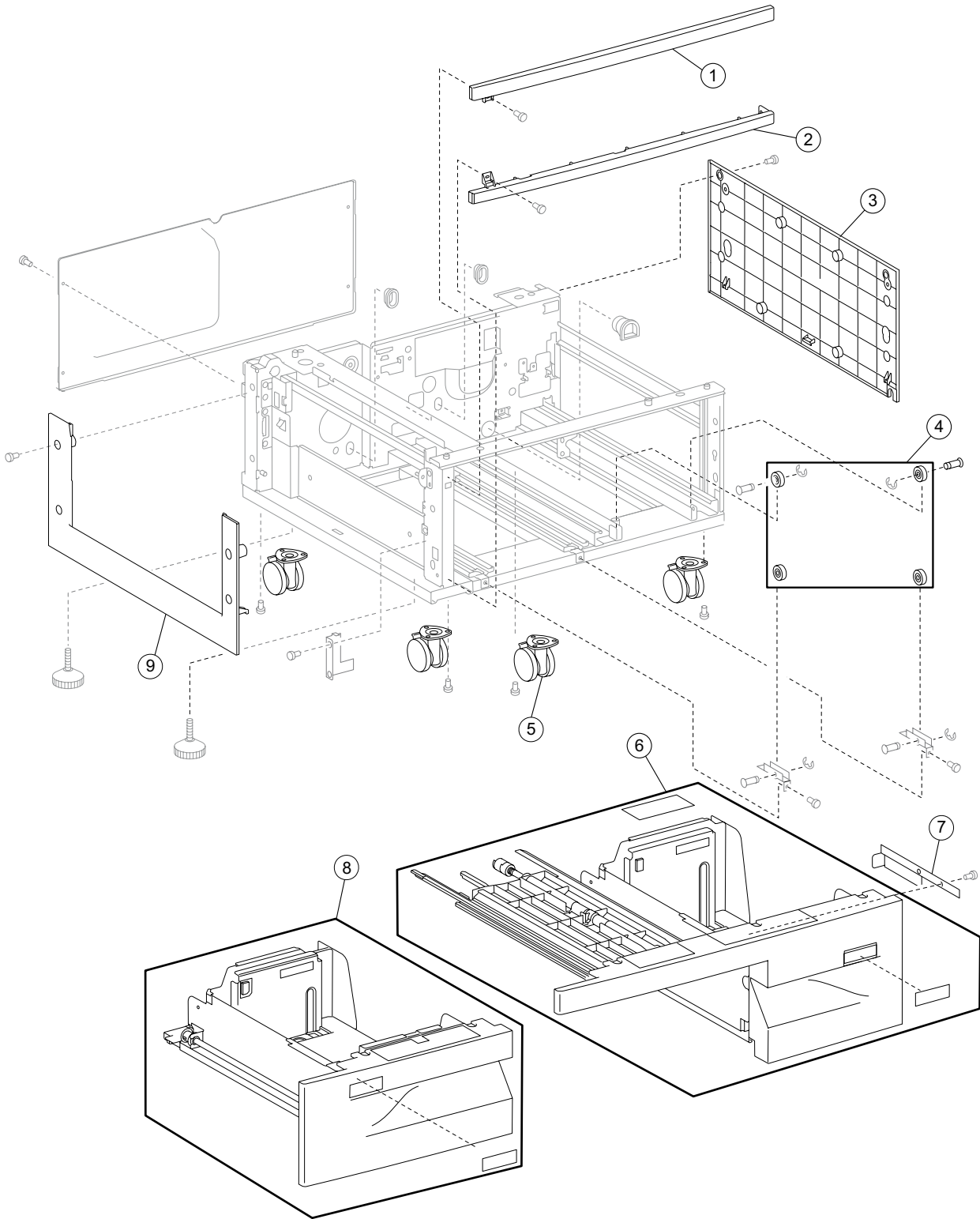
Assembly 6: 2X 500-sheet drawer (2TM)—drive and electrical



Assembly 6: 2X 500-sheet drawer (2TM)—drive and electrical

Asm-Index	Part number	Units/ option	Units/ FRU	Description
6—1	40X0701	1	6	2TM drive gear kit includes: <ul style="list-style-type: none"> • 2TM drive gear 22T/40T • 2TM drive gear 126T • 2TM drive gear 60T • 2TM drive gear 37T (2) • 2TM drive gear 32T
2	40X0699	1	6	2TM/TTM clutch kit includes: <ul style="list-style-type: none"> • 2TM/TTM clutch assembly • Shaft • Bushing 8 mm • Clutch gear 38T • Bushing 8 mm • Washer
3	40X0700	1	1	2TM/TTM drive motor
4	40X0698	1	1	2TM/TTM controller card assembly
5	40X0702	1	1	2TM main cable assembly

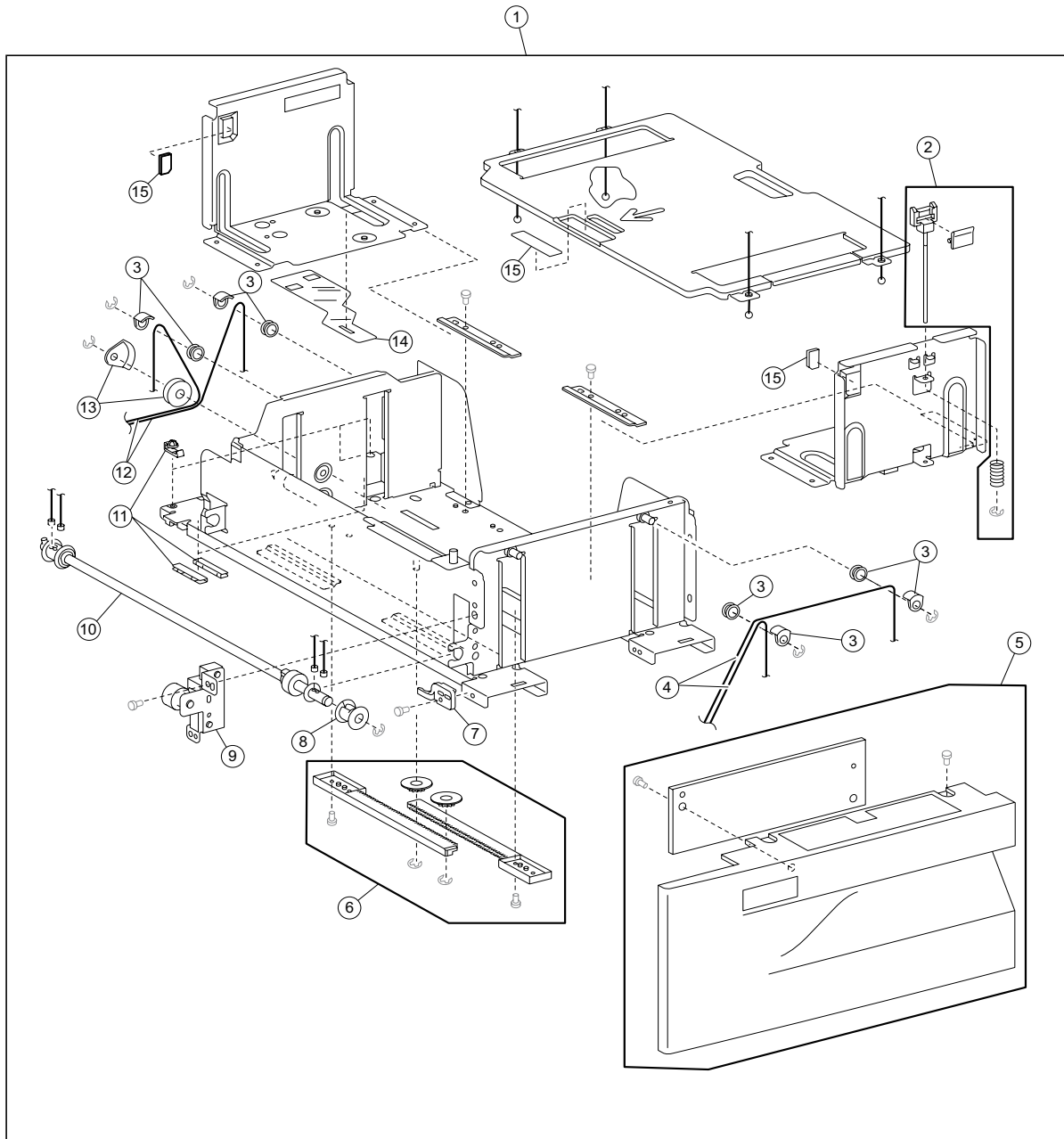
Assembly 7: 2000-sheet dual input (TTM)—covers



Assembly 7: 2000-sheet dual input (TTM)—covers

Asm-Index	Part number	Units/ option	Units/ FRU	Description
7—1	40X0687	1	1	Top cover
2	40X0688	1	1	Foot cover
3	40X0689	1	1	Right cover
4	40X0703	1	4	Tray support roll (4)
5	40X0691	4	1	Locking caster
6	40X0963	1	3	TTM media tray 4 assembly (this comes assembled) <ul style="list-style-type: none"> • TTM media tray 4 assembly • Label (2)
7	40X0704	1	1	Tray 4 stopper
8	40X0962	1	2	TTM media tray 3 assembly (this comes assembled) <ul style="list-style-type: none"> • TTM media tray 3 assembly • Label
9	40X0690	1	1	Left cover

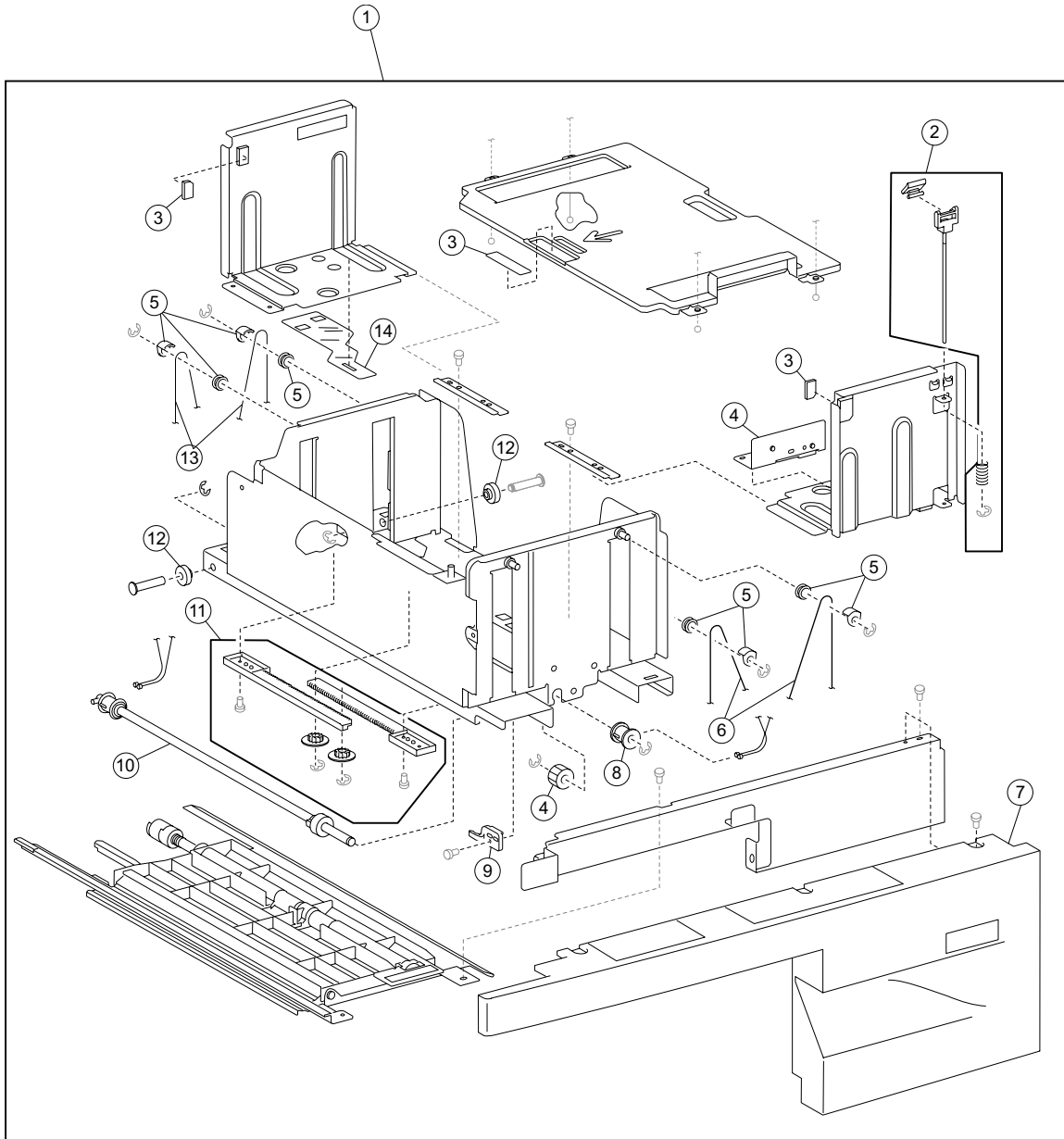
Assembly 8: 2000-sheet dual input (TTM)—tray 3



Assembly 8: 2000-sheet dual input (TTM)—tray 3

Asm-Index	Part number	Units/ option	Units/ FRU	Description
8—1	40X0962	1	3	TTM media tray 3 assembly (this comes assembled) <ul style="list-style-type: none"> • TTM media tray 3 assembly • Label (2)
2	40X0712	1	3	Tray 3 media guide lock kit includes: <ul style="list-style-type: none"> • Tray 3 media guide lock button • Tray 3 media guide lock shaft • Spring
3	40X0953	2	8	TTM tray lift pulley kit includes: <ul style="list-style-type: none"> • TTM tray lift pulley (4) • Pulley guide (4)
4	40X0710	1	2	Tray 3 front cable (2)
5	40X0705	1	2	Tray 3 front cover kit includes: <ul style="list-style-type: none"> • Tray 3 front cover • Tray 3 tray handle
6	40X0713	2	4	Media guide rack and pinion kit includes: <ul style="list-style-type: none"> • Media guide rack gear (2) • Media guide pinion gear (2)
7	40X0714	2	1	TTM tray catch
8	40X0706	2	1	Lift cable pulley
9	40X0715	1	1	Tray 3 brake assembly
10	40X0707	2	1	Tray lift shaft assembly
11	40X0716	1	4	Tray 3 slide kit includes: <ul style="list-style-type: none"> • Tray 3 slide strip (2) • Tray 3 slide button (2)
12	40X0709	1	2	Tray 3 rear cable (2)
13	40X0708	2	2	Large idler pulley kit includes: <ul style="list-style-type: none"> • Large idler pulley • Large idler guide
14	40X0717	2	1	Mylar actuator
15	40X0711	2	3	Tray separator kit includes: <ul style="list-style-type: none"> • Tray separation pad • Tray brush (2)

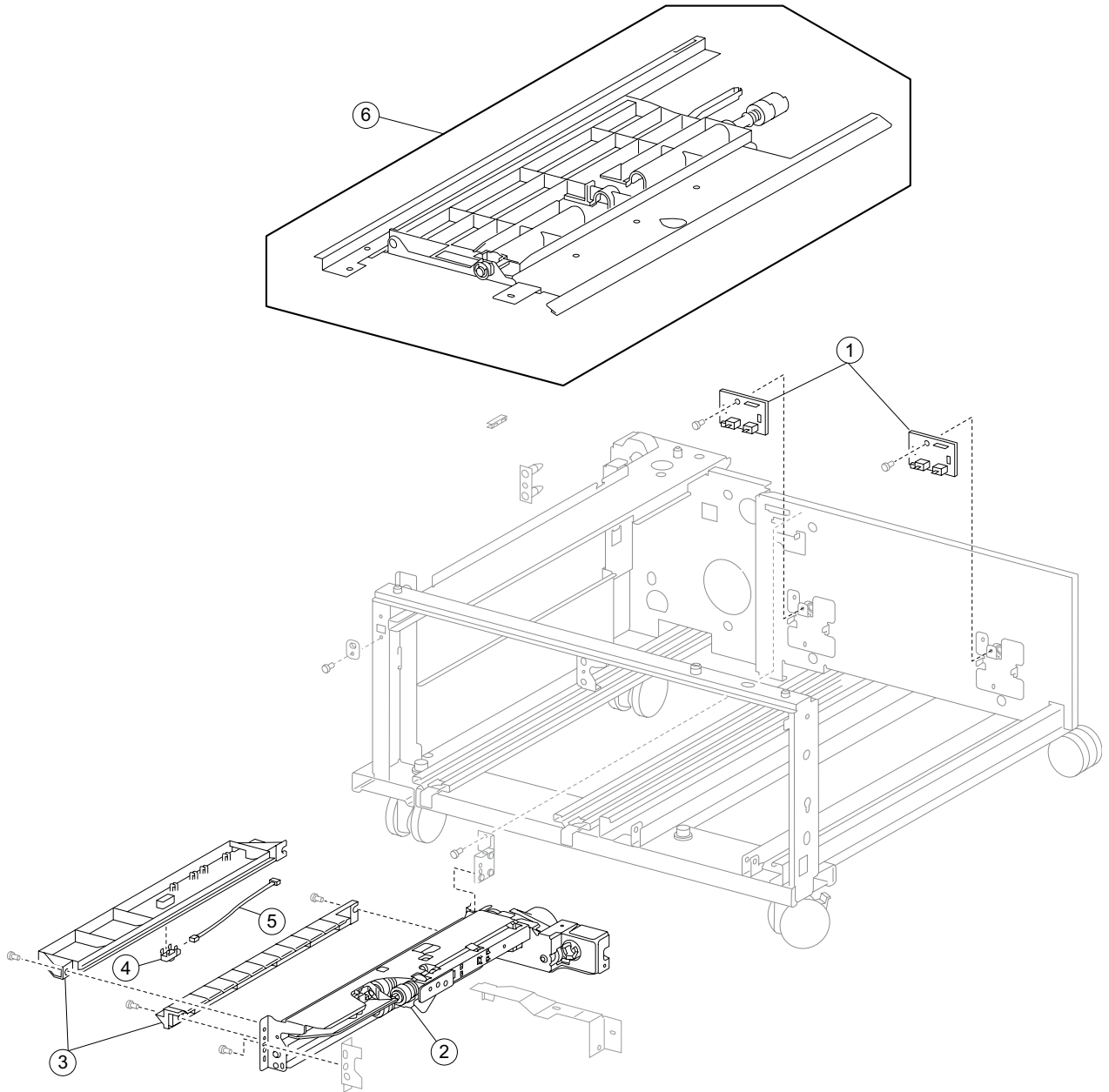
Assembly 9: 2000-sheet dual input (TTM)—tray 4



Assembly 9: 2000-sheet dual input (TTM)—tray 4

Asm-Index	Part number	Units/option	Units/FRU	Description
9—1	40X0963	1	2	TTM media tray 4 assembly (this comes assembled) <ul style="list-style-type: none"> • TTM media tray 4 assembly • Label
2	40X0721	1	3	Tray 4 media guide lock kit includes: <ul style="list-style-type: none"> • Tray 4 media guide lock button • Tray 4 media guide lock shaft • Spring
3	40X0711	2	3	Tray separator kit includes: <ul style="list-style-type: none"> • Tray separation pad • Tray brush (2)
4	40X0722	1	2	Tray 4 brake kit includes: <ul style="list-style-type: none"> • Tray 4 brake assembly • Tray 4 brake gear 18T
5	40X0953	2	8	TTM tray lift pulley kit includes: <ul style="list-style-type: none"> • TTM tray lift pulley (4) • Pulley guide (4)
6	40X0720	1	2	Tray 4 front cable (2)
7	40X0718	1	1	Tray 4 front cover
8	40X0706	2	1	Lift cable pulley
9	40X0714	2	1	TTM tray catch
10	40X0707	2	1	Tray lift shaft assembly
11	40X0713	2	4	Media guide rack and pinion kit includes: <ul style="list-style-type: none"> • Media guide rack gear (2) • Media guide pinion gear (2)
12	40X0723	1	2	Tray 4 rear support roll (2)
13	40X0719	1	2	Tray 4 rear cable (2)
14	40X0717	2	1	Mylar actuator

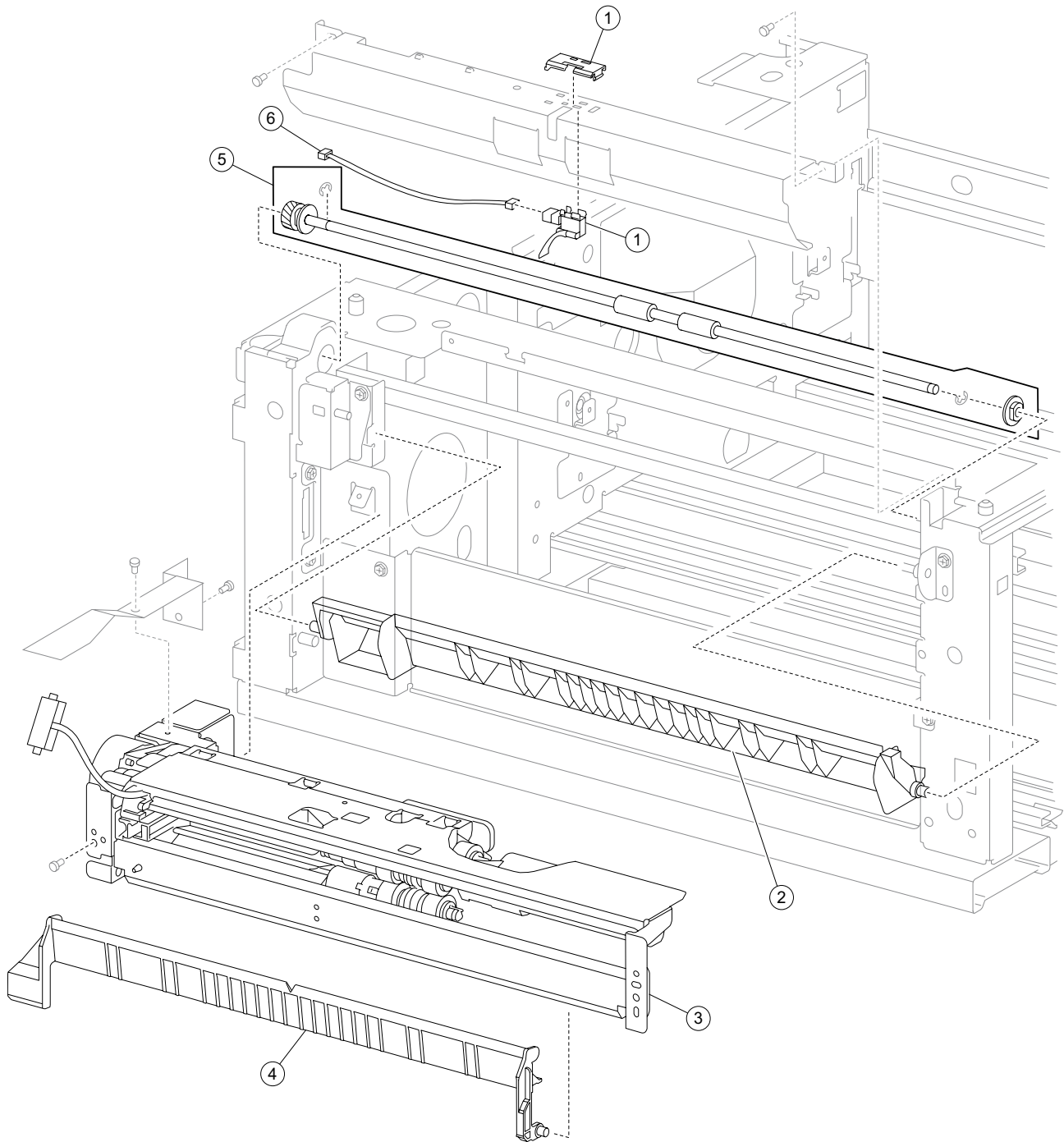
Assembly 10: 2000-sheet dual input (TTM)—feed and transport



Assembly 10: 2000-sheet dual input (TTM)—feed and transport

Asm-Index	Part number	Units/option	Units/FRU	Description
10—1	40X0729	2	1	Switch (TTM media size switch)
2	40X0581	2	1	Media feed unit assembly (this comes assembled)
3	40X0728	1	2	Tray 4 media guide kit includes: <ul style="list-style-type: none">• Tray 4 upper media guide• Tray 4 lower media guide
4	40X0727	1	1	Sensor (tray 4 feed-out)
5	40X0730	1	1	Tray 4 feed-out sensor cable assembly
6	40X0724	1	1	Tray 4 media transport assembly

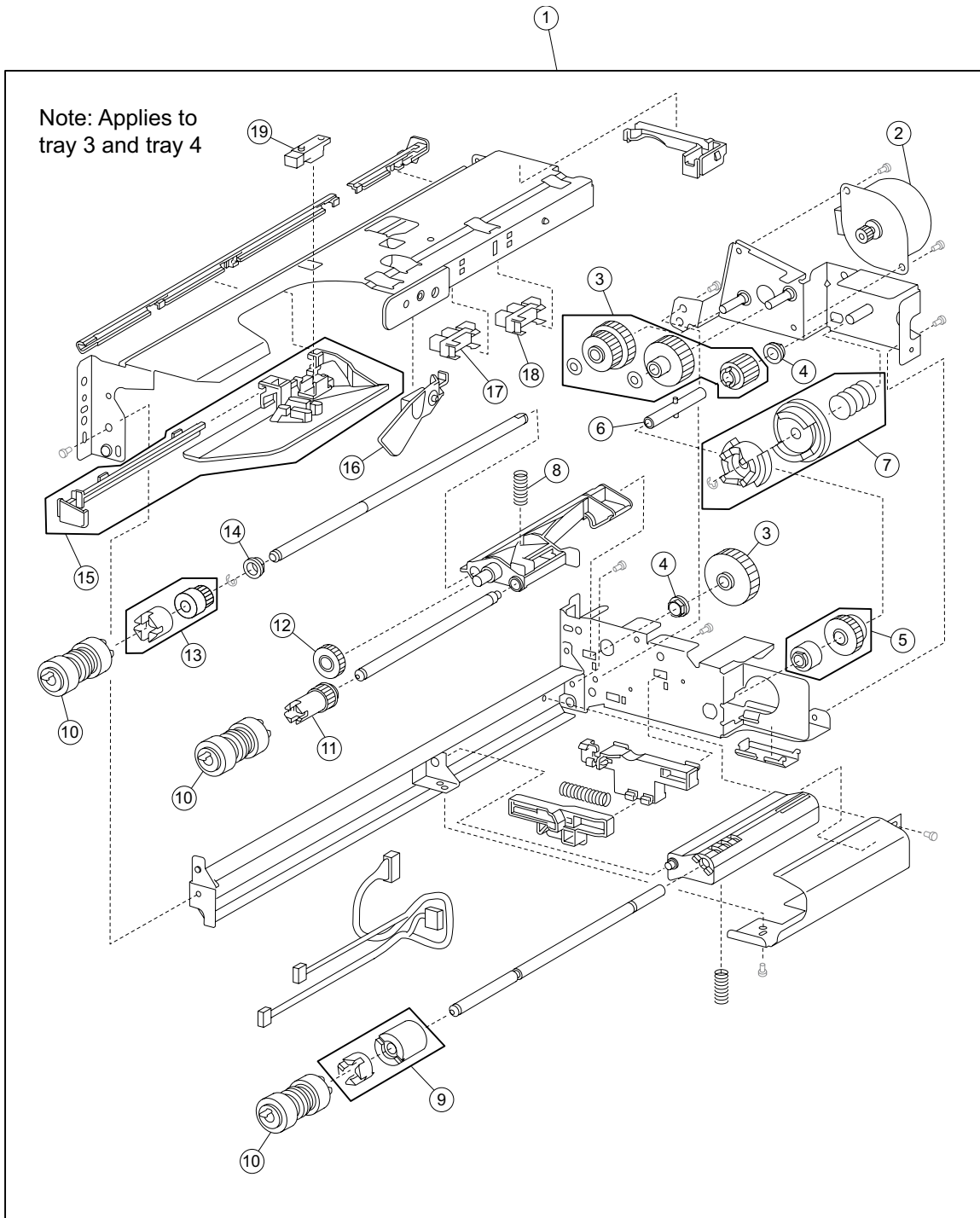
Assembly 11: 2000-sheet dual input (TTM)—feed and transport



Assembly 11: 2000-sheet dual input (TTM)—feed and transport

Asm-Index	Part number	Units/option	Units/FRU	Description
11—1	40X0692	1	2	Sensor (tray 3 feed-out) kit includes: <ul style="list-style-type: none"> • Sensor (tray 3 feed-out) • Sensor protector
2	40X0732	1	1	Upper vertical turn guide
3	40X0581	2	1	Media feed unit assembly (this comes assembled)
4	40X0572	1	1	Vertical turn guide
5	40X0695	1	2	2TM/TTM media transport roll assembly kit includes: <ul style="list-style-type: none"> • 2TM/TTM media transport roll assembly • Bushing 8 mm
6	40X0693	1	2	Sensor cable kit includes: <ul style="list-style-type: none"> • Tray 3 feed-out sensor cable • Tray 4 feed-out sensor cable

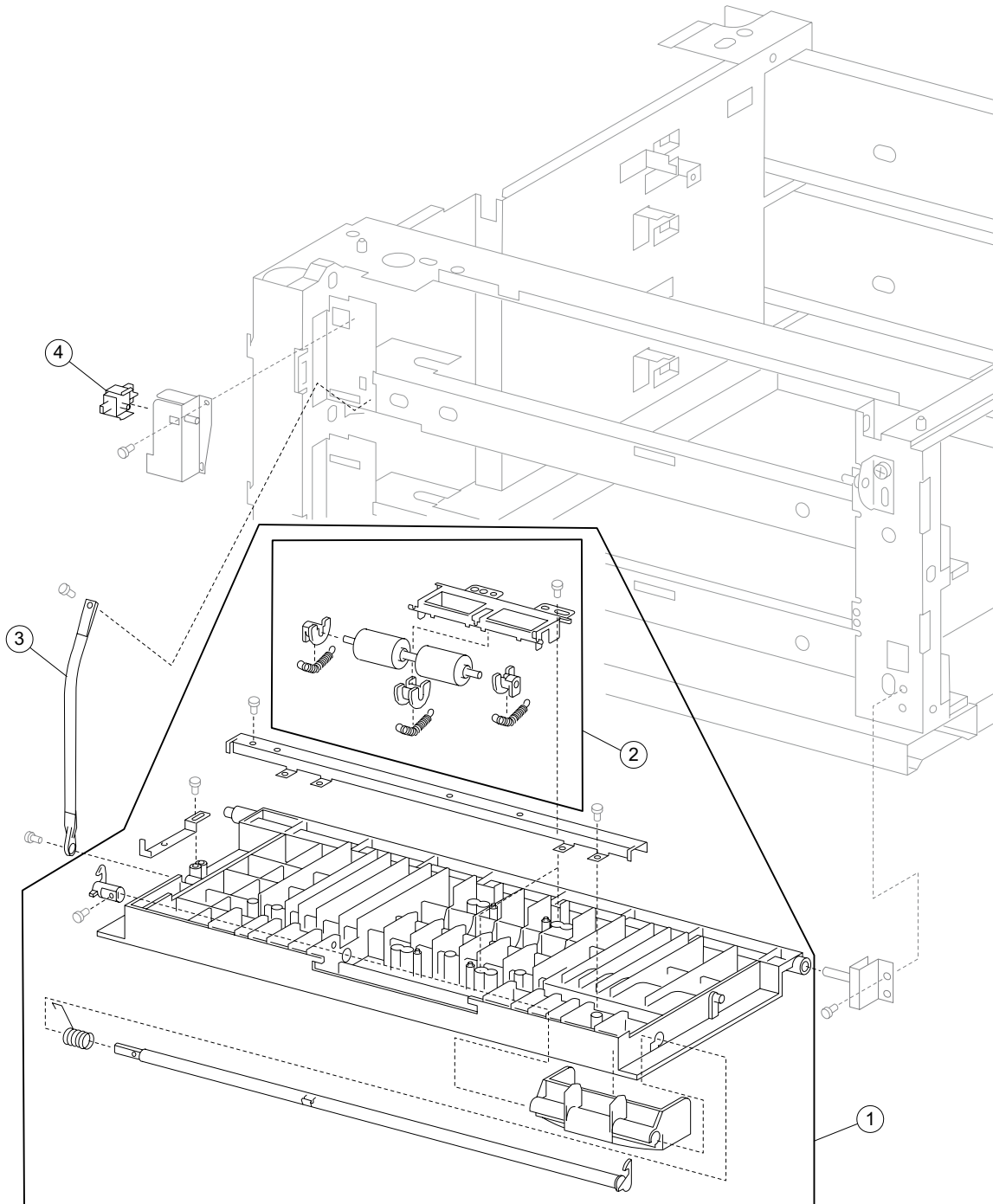
Assembly 12: 2000-sheet dual input (TTM)—media feed unit



Assembly 12: 2000-sheet dual input (TTM)—media feed unit

Asm-Index	Part number	Units/ option	Units/ FRU	Description
12-1	40X0581	2	1	Media feed unit assembly (this comes assembled)
2	40X0582	2	1	Media feed lift motor
3	40X0585	2	6	Media feed drive gear kit includes: <ul style="list-style-type: none"> • Media feed unit drive gear 13T • Media feed unit drive gear 28/21T • Media feed unit drive gear 29T • Media feed unit drive gear 27T • 2 mm washer (2)
4	40X0880	2	1	6 mm bushing
5	40X0967	2	2	Media tray lift one-way clutch/gear includes: <ul style="list-style-type: none"> • Media tray lift one-way clutch • Media tray lift one-way gear
6	40X0968	2	1	Media tray lift one-way shaft
7	40X0583	2	3	Tray lift coupling kit includes: <ul style="list-style-type: none"> • Tray lift coupling • Tray lift coupling gear 31T • Spring
8	40X0590	2	1	Pick roll assembly spring
9	40X0593	2	2	Separation roll friction clutch kit includes: <ul style="list-style-type: none"> • Separation roll one-way friction clutch • Separation roll spacer
10	40X0594	2	3	Feed unit roll kit includes: <ul style="list-style-type: none"> • Feed roll • Pick roll • Separation roll
11	40X0970	2	1	Pick roll drive gear
12	40X0969	2	1	Pick roll idler gear
13	40X0591	2	2	Feed roll one-way clutch kit includes: <ul style="list-style-type: none"> • Feed roll one-way clutch • Feed roll one-way gear 22T
14	40X0952	2	1	6 mm bushing
15	40X0586	2	2	Media feed unit front guide kit includes: <ul style="list-style-type: none"> • Media feed unit front guide • Media feed unit front guide rail
16	40X0587	2	1	Media out actuator
17	40X0588	2	1	Sensor (media out)
18	40X0588	2	1	Sensor (media level)
19	40X0589	2	1	Sensor (pre-feed)

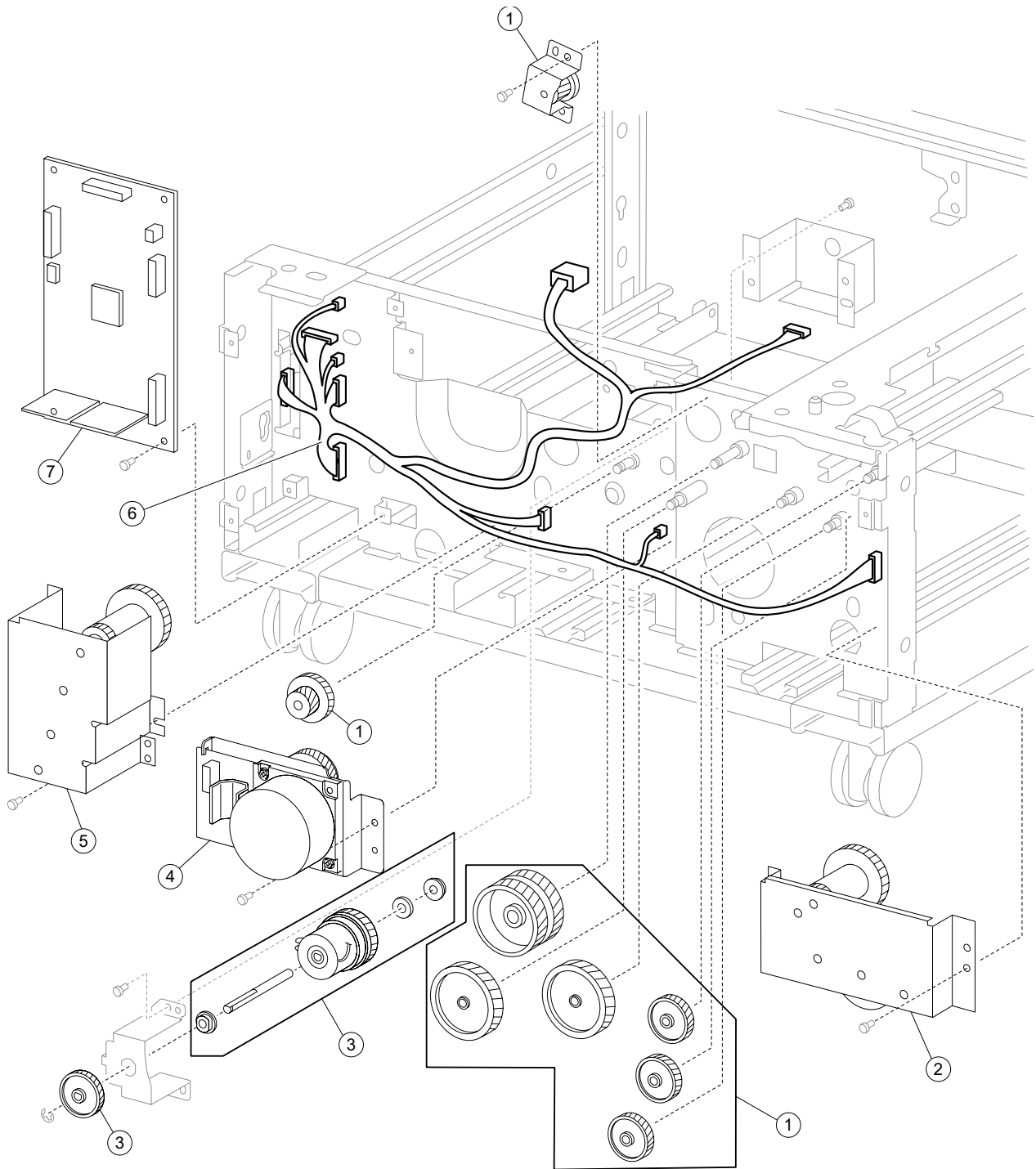
Assembly 13: 2000-sheet dual input (TTM)—left door



Assembly 13: 2000-sheet dual input (TTM)—left door

Asm-Index	Part number	Units/ option	Units/ FRU	Description
13—1	40X0733	1	1	2TM/TTM left door assembly (this comes assembled)
2	40X0696	1	1	2TM/TTM left door pinch assembly (this comes assembled)
3	40X0697	1	1	2TM/TTM left door support strap
4	40X0610	1	1	Switch (2TM/TTM left door interlock)

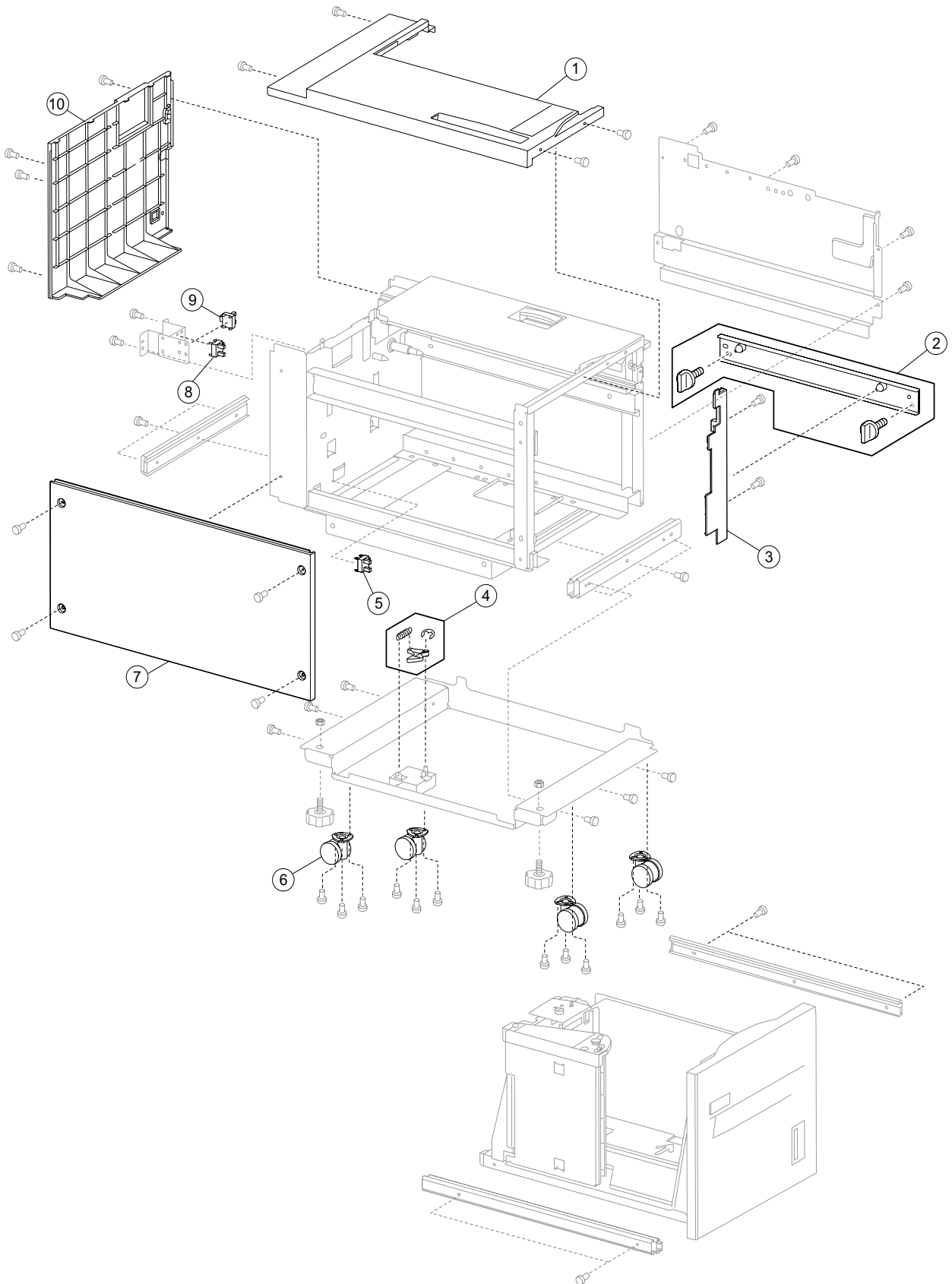
Assembly 14: 2000-sheet dual input (TTM)—drive and electrical



Assembly 14: 2000-sheet dual input (TTM)—drive and electrical

Asm-Index	Part number	Units/ option	Units/ FRU	Description
14—1	40X0736	1	8	TTM drive gear kit includes: <ul style="list-style-type: none"> • TTM drive gear 22/40T • TTM drive gear 37T (2) • TTM drive gear 32T • TTM drive Gear 60T (2) • TTM drive gear 60T • TTM drive gear bracket assembly
2	40X0734	1	1	Tray 3 lift gear assembly
3	40X0699	1	6	2TM/TTM clutch kit includes: <ul style="list-style-type: none"> • 2TM/TTM clutch assembly • Shaft • Bushing 8 mm • Clutch gear 38T • Bushing 8 mm • Washer
4	40X0700	1	1	2TM/TTM drive motor
5	40X0735	1	1	Tray 4 lift gear assembly
6	40X0737	1	1	TTM main cable assembly
7	40X0698	1	1	2TM/TTM controller card assembly

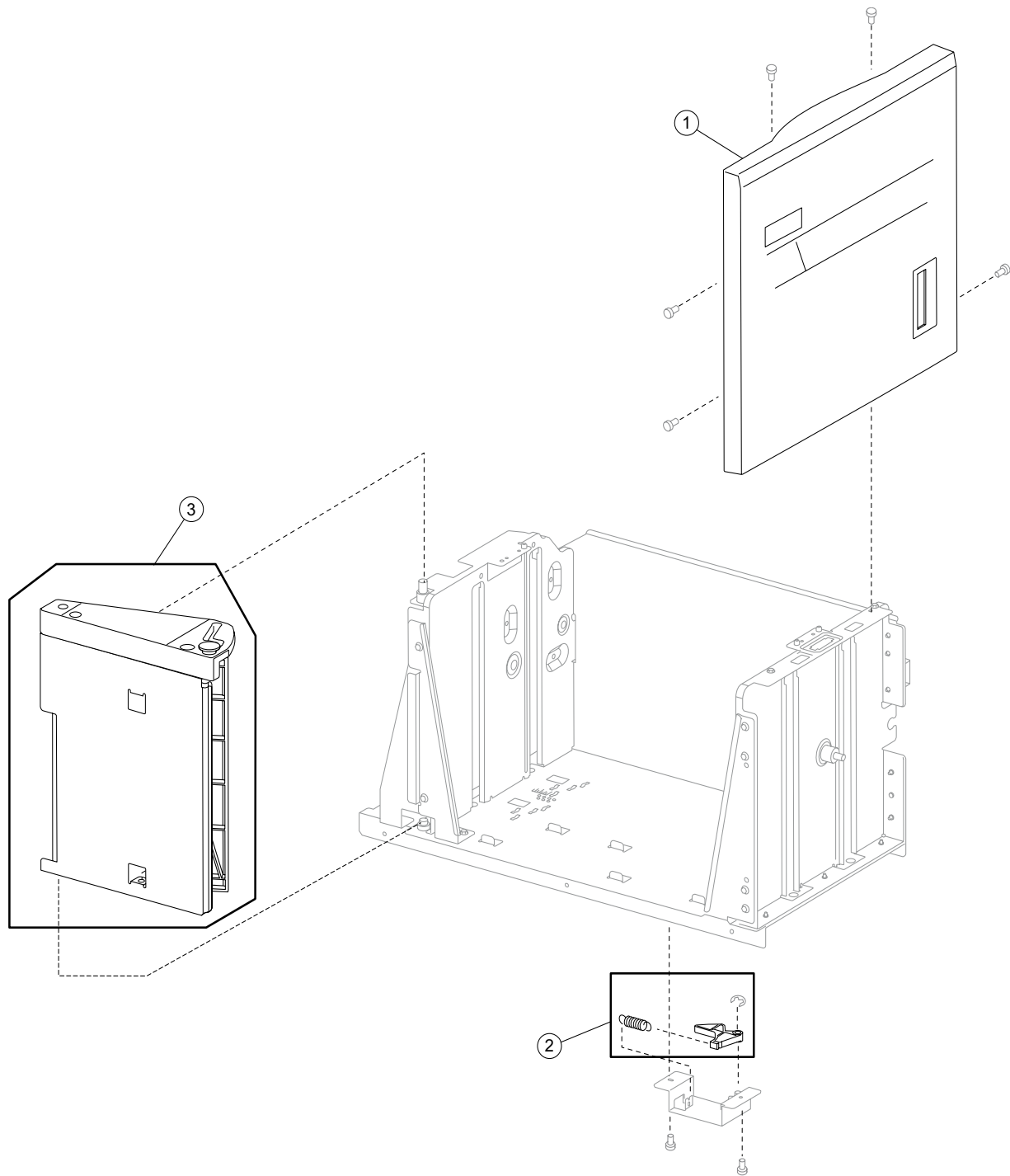
Assembly 15: High capacity feed (HCF)—covers and media tray



Assembly 15: High capacity feed (HCF)—covers and media tray

Asm-Index	Part number	Units/ option	Units/ FRU	Description
15—1	40X0738	1	1	Top cover
2	40X0745	1	3	HCF docking bracket kit <ul style="list-style-type: none"> • HCF docking bracket • HCF docking bracket screw (2)
3	40X0746	1	1	Inner front cover
4	40X0740	2	2	Docking latch kit includes: <ul style="list-style-type: none"> • Docking latch • Spring
5	40X0739	1	1	Sensor (HCF media tray set)
6	40X0741	4	1	Caster
7	40X0742	1	1	Left cover
8	40X0739	1	1	Sensor (HCF media size L)
9	40X0739	1	1	Sensor (HCF media size R)
10	40X0743	1	1	Rear cover

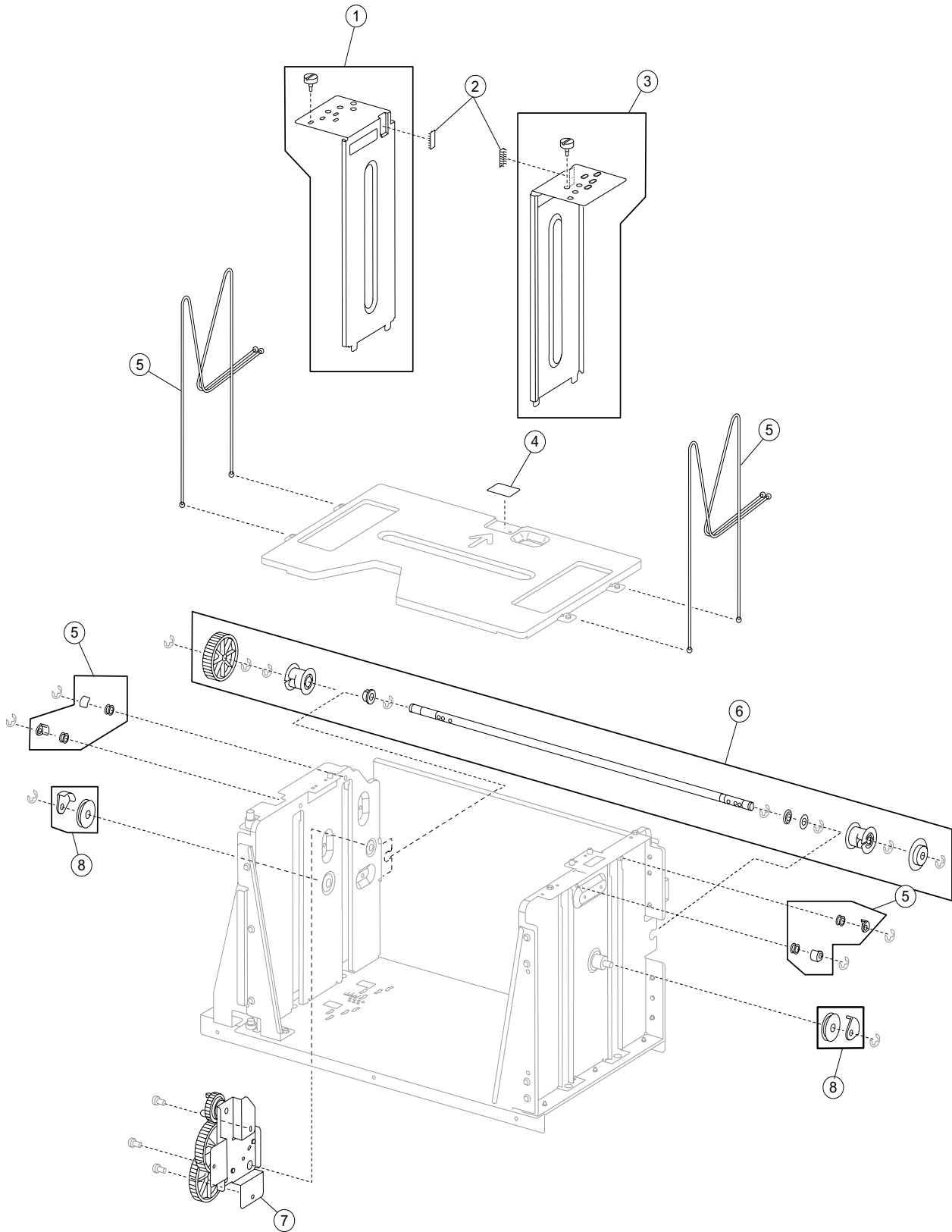
Assembly 16: High capacity feed (HCF)—media tray



Assembly 16: High capacity feed (HCF)—media tray

Asm-Index	Part number	Units/option	Units/FRU	Description
16—1	40X0747	1	1	HCF media tray front cover (this comes assembled)
2	40X0740	2	2	Docking latch kit includes: <ul style="list-style-type: none">• Docking latch• Spring
3	40X0749	1	2	Media long edge guide kit includes: (this comes assembled) <ul style="list-style-type: none">• Media long edge guide assembly• Wave washer

Assembly 17: High capacity feed (HCF)—media tray lift

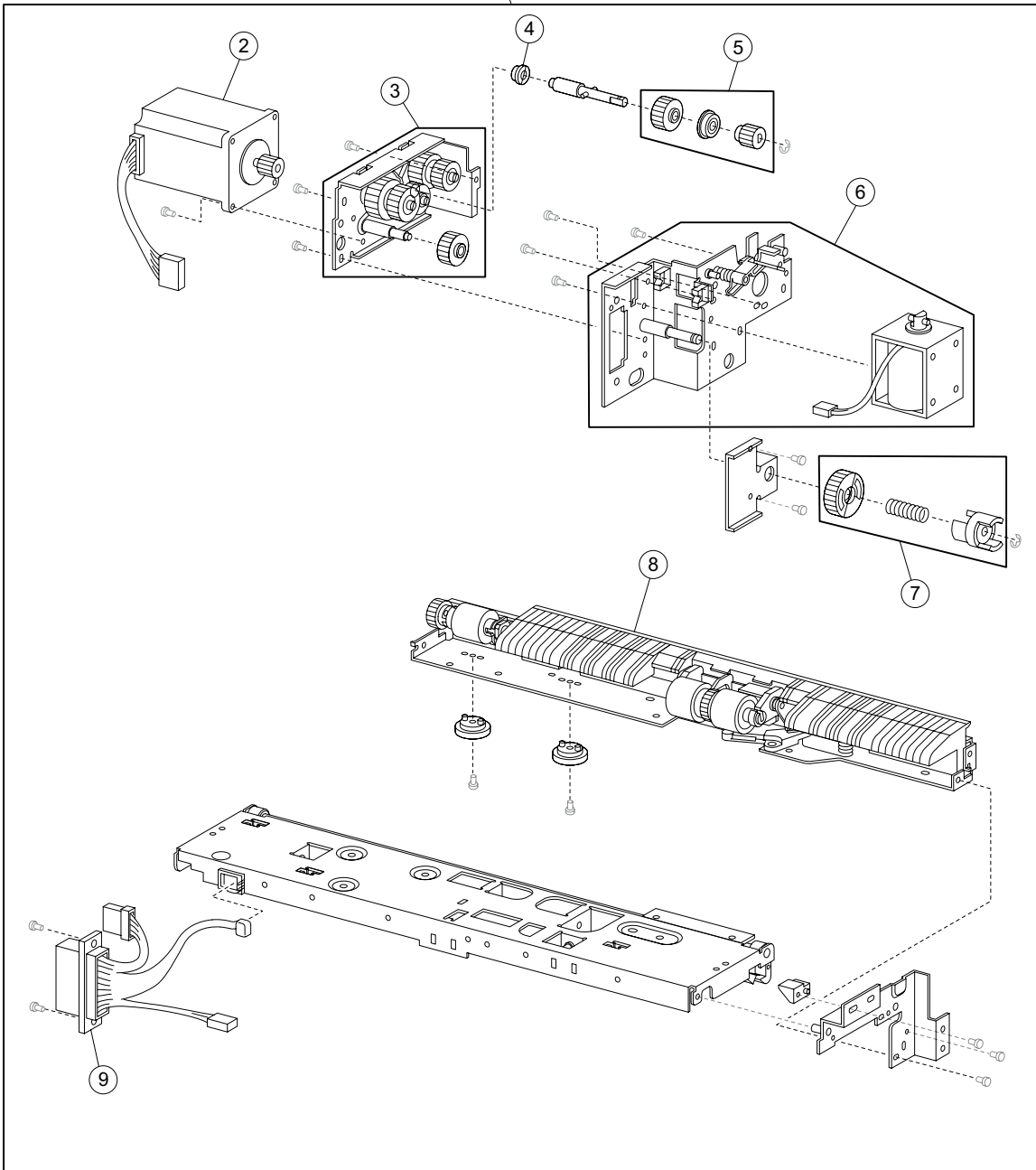


Assembly 17: High capacity feed (HCF)—media tray lift

Asm-Index	Part number	Units/ option	Units/ FRU	Description
17—1	40X0750	1	2	HCF rear media guide kit includes: <ul style="list-style-type: none"> • HCF rear media edge guide • Screw
2	40X0966	2	1	Media tray separation brush
3	40X0751	1	2	HCF front media edge guide kit includes: <ul style="list-style-type: none"> • HCF front media edge guide • Screw
4	40X0752	1	1	Separation pad
5	40X0757	1	12	Lift cable kit includes: <ul style="list-style-type: none"> • Lift cable (4) • Lift cable pulley (4) • Lift cable guide (4)
6	40X0754	1	7	Media tray lift shaft kit includes: <ul style="list-style-type: none"> • Bushing 8 mm • Media tray lift shaft • Bushing 8 mm • Washer • Media tray lift shaft cable pulley • Media tray lift shaft gear 10T • Media tray lift shaft gear 51T
7	40X0753	1	1	Media tray lift gear bracket assembly (this comes assembled)
8	40X0756	2	2	Lift cable large pulley kit includes: <ul style="list-style-type: none"> • Lift cable large pulley • lift cable large guide

Assembly 18: High capacity feed (HCF)—media feed unit

1 Note: This assembly includes everything on pages 7-36 and 7-38.



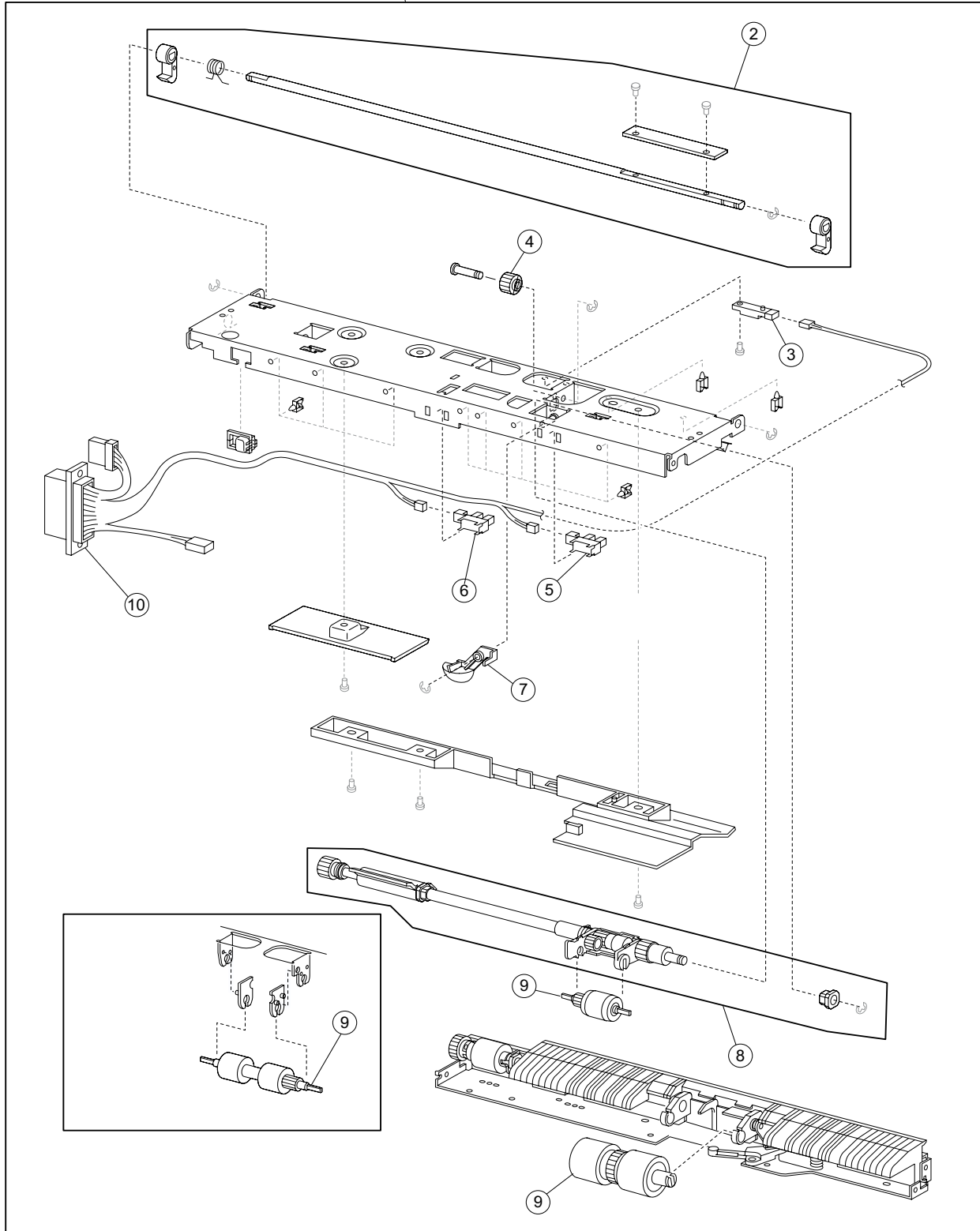
Assembly 18: High capacity feed (HCF)—media feed unit

Asm-Index	Part number	Units/ option	Units/ FRU	Description
18—1	40X0758	1	1	HCF feed unit assembly (this comes assembled)
2	40X0759	1	1	HCF feed lift motor
3	40X0760	1	1	Feed lift gear bracket assembly
4	40X0913	1	1	6 mm ball bearing
5	40X0761	1	3	Separation drive gear kit includes: <ul style="list-style-type: none"> • Separation drive gear 25T • Bushing 6 mm • Separation drive gear 19T
6	40X0762	1	1	HCF pick solenoid assembly
7	40X0763	1	3	HCF media tray lift coupling kit includes: <ul style="list-style-type: none"> • HCF media tray lift coupling gear 40T • Spring • HCF media tray lift coupling
8	40X0771	1	1	Separation roll shaft assembly (this comes assembled)
9	40X0766	1	1	HCF feed unit cable assembly

Assembly 19: High capacity feed (HCF)—media feed unit

1

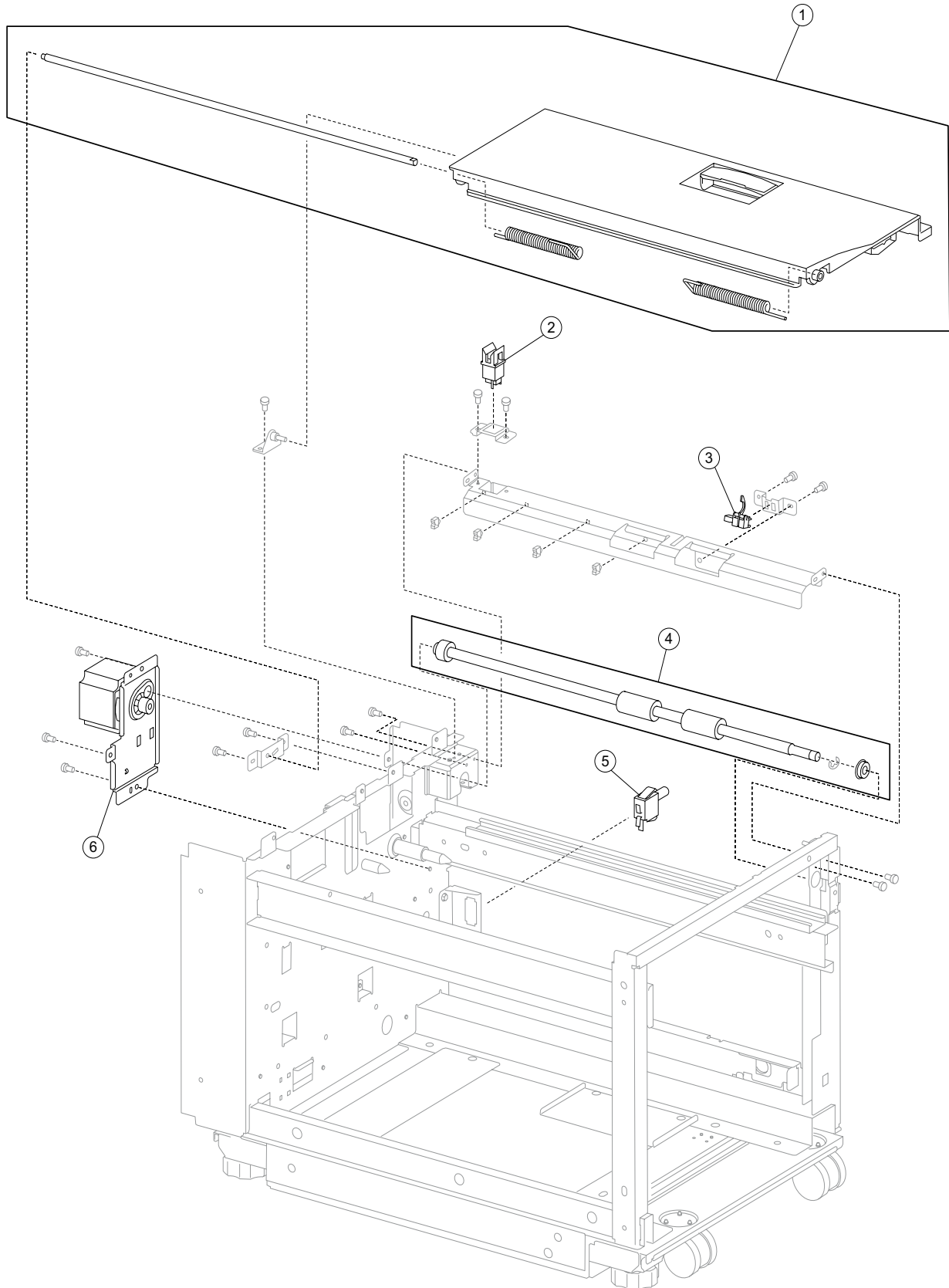
Note: This assembly includes everything on pages 7-36 and 7-38.



Assembly 19: High capacity feed (HCF)—media feed unit

Asm-Index	Part number	Units/ option	Units/ FRU	Description
19—1	40X0758	1	1	HCF feed unit assembly (this comes assembled)
2	40X0764	1	5	Feed unit latch kit includes: <ul style="list-style-type: none"> • Feed unit latch (2) • Spring • Feed unit latch shaft • Feed unit latch cover
3	40X0589	1	1	Sensor (pre-feed)
4	40X0765	1	1	HCF pick roll idler gear
5	40X0768	1	1	Sensor (media out)
6	40X0768	1	1	Sensor (media level)
7	40X0767	1	1	HCF media out actuator
8	40X0769	1	2	Pick roll shaft kit includes: <ul style="list-style-type: none"> • Pick roll shaft assembly • Bushing 6 mm
9	40X0770	1	3	HCF feed unit roll kit includes: <ul style="list-style-type: none"> • Feed roll • Pick roll • Separation roll
10	40X0766	1	1	HCF feed unit cable assembly

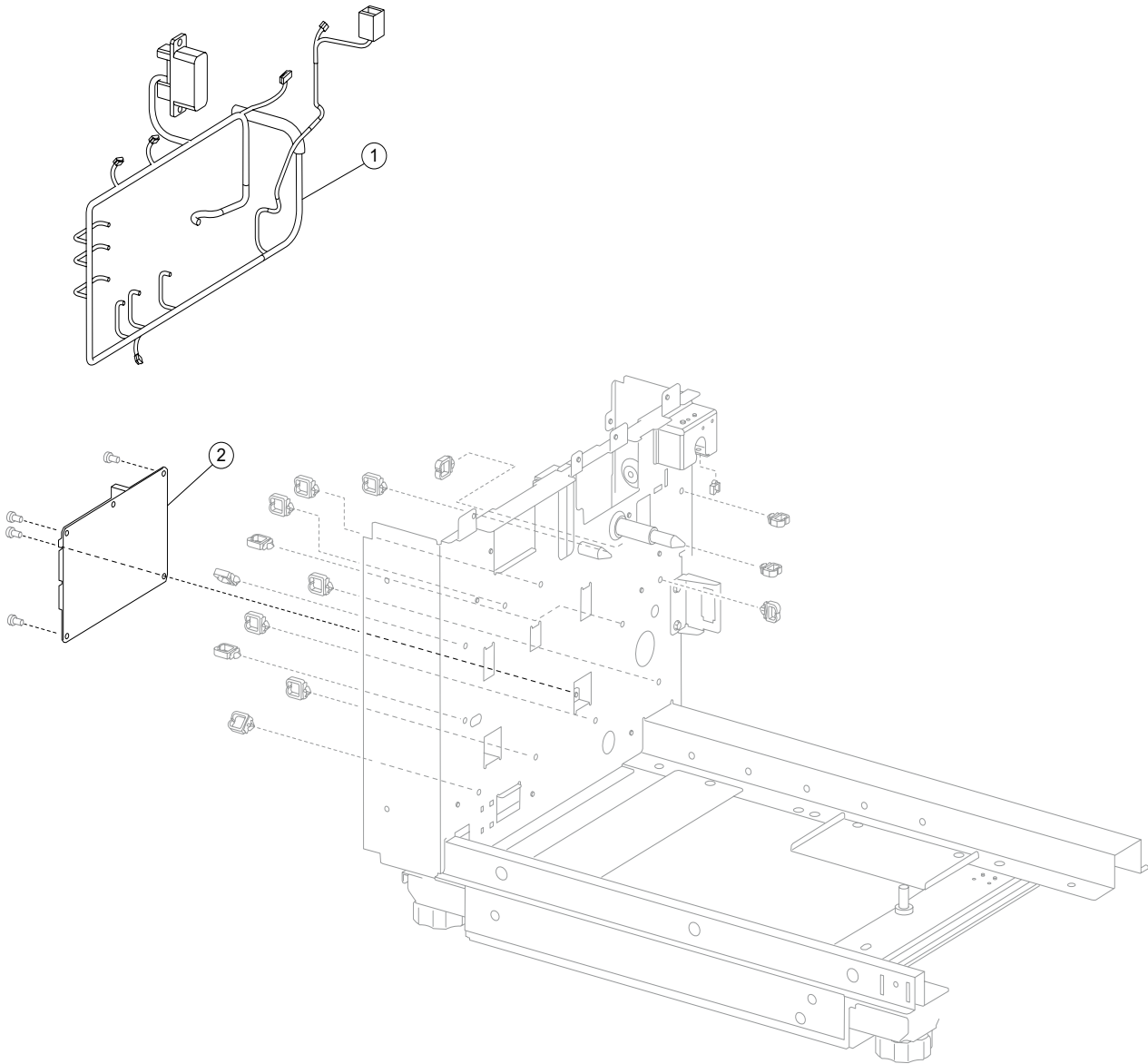
Assembly 20: High capacity feed (HCF)—top door and transport



Assembly 20: High capacity feed (HCF)—top door and transport

Asm-Index	Part number	Units/option	Units/FRU	Description
20—1	40X0773	1	4	HCF top door kit includes: <ul style="list-style-type: none"> • HCF top door • HCF top door shaft • HCF top door spring R • HCF top door spring L
2	40X0553	1	1	Switch (HCF top door interlock)
3	40X0774	1	1	Sensor (tray 5 feed-out)
4	40X0775	1	2	HCF media transport roll kit includes: <ul style="list-style-type: none"> • HCF media transport roll assembly • Bearing 8 mm
5	40X0777	1	1	Switch (HCF unit docking interlock)
6	40X0776	1	1	HCF transport motor

Assembly 21: High capacity feed (HCF)—electrical



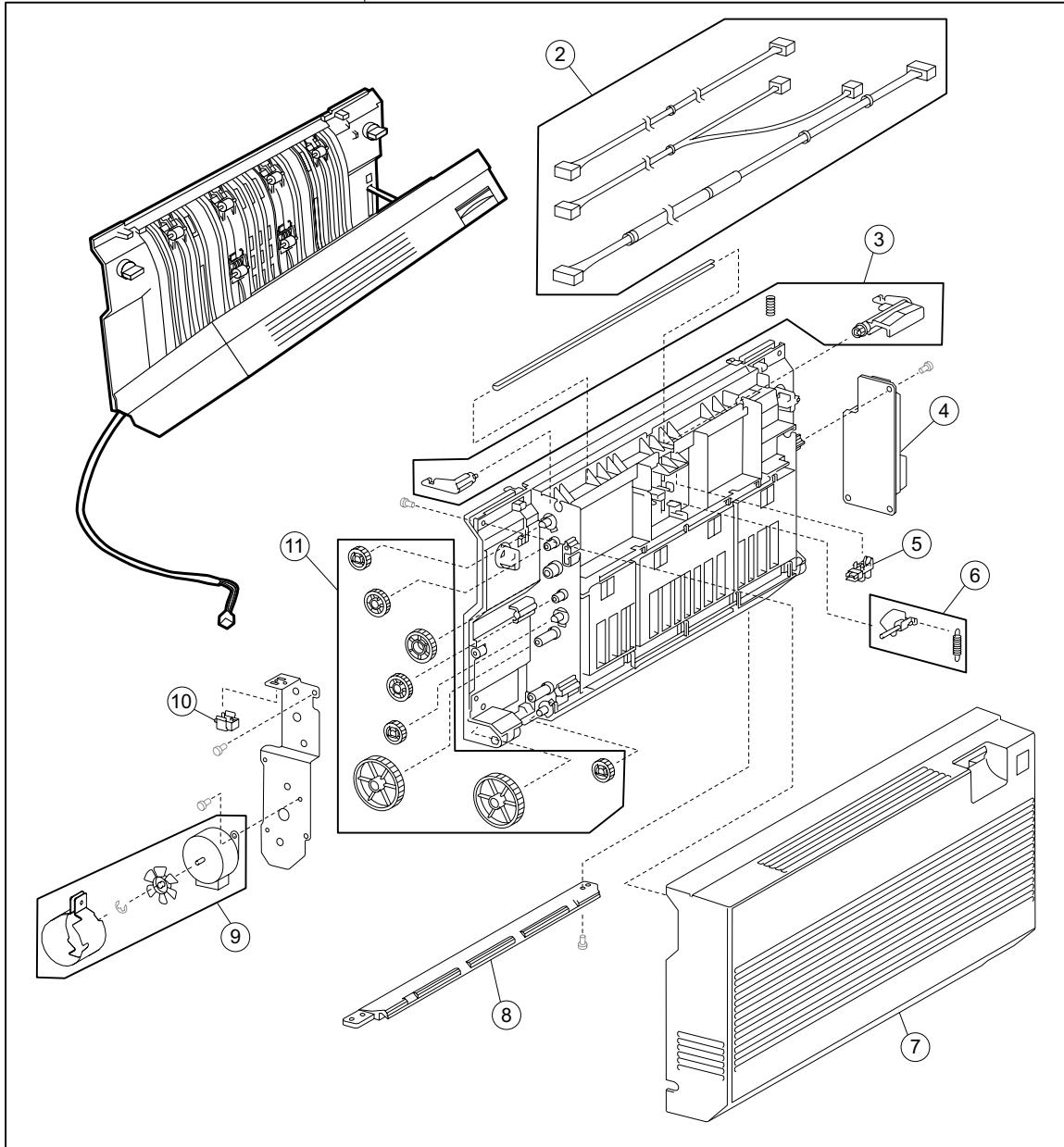
Assembly 21: High capacity feed (HCF)—electrical

Asm-Index	Part number	Units/ option	Units/ FRU	Description
21—1	40X0779	1	1	HCF main cable assembly
2	40X0778	1	1	HCF controller card assembly

Assembly 22: Duplex outer

1

Note: This assembly includes everything on pages 7-44 and 7-46.

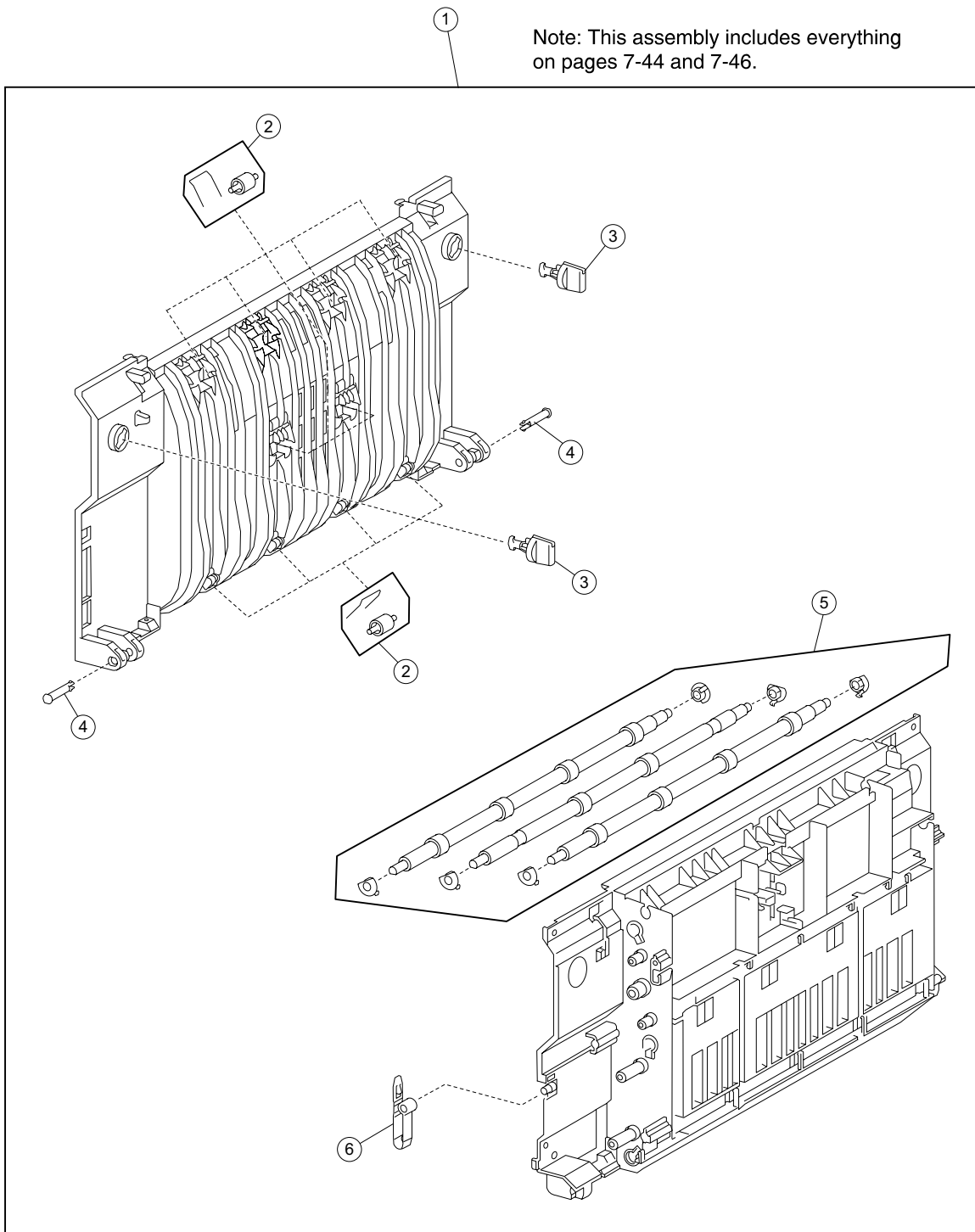


Assembly 22: Duplex outer

Asm-Index	Part number	Units/ option	Units/ FRU	Description
22—1	40X0780	1	1	Duplex unit assembly (this comes assembled)
2	40X0788	1	3	Duplex cable kit includes: <ul style="list-style-type: none"> • Duplex sensor cable assembly • Duplex motor cable assembly • Duplex main cable assembly
3	40X0782	1	3	Duplex left door handle kit includes: <ul style="list-style-type: none"> • Duplex left door handle latch • Duplex left door handle • Spring
4	40X0786	1	1	Duplex controller card assembly
5	40X0588	1	1	Sensor (duplex wait)
6	40X0784	1	2	Duplex wait actuator kit includes: <ul style="list-style-type: none"> • Duplex wait actuator • Spring
7	40X0787	1	1	Duplex left cover
8	40X0783	1	1	Duplex lower guide
9	40X0785	1	3	Duplex drive motor kit includes: <ul style="list-style-type: none"> • Duplex drive motor • Duplex drive motor cooling fan • Duplex drive motor cooling fan shroud
10	40X0610	1	1	Switch (duplex left door interlock)
11	40X0781	1	8	Duplex drive gear kit includes: <ul style="list-style-type: none"> • Duplex drive gear 28T (3) • Duplex drive gear 33/74T (2) • Duplex drive gear 33T (2) • Duplex drive gear 42T

Assembly 23: Duplex inner

Note: This assembly includes everything on pages 7-44 and 7-46.



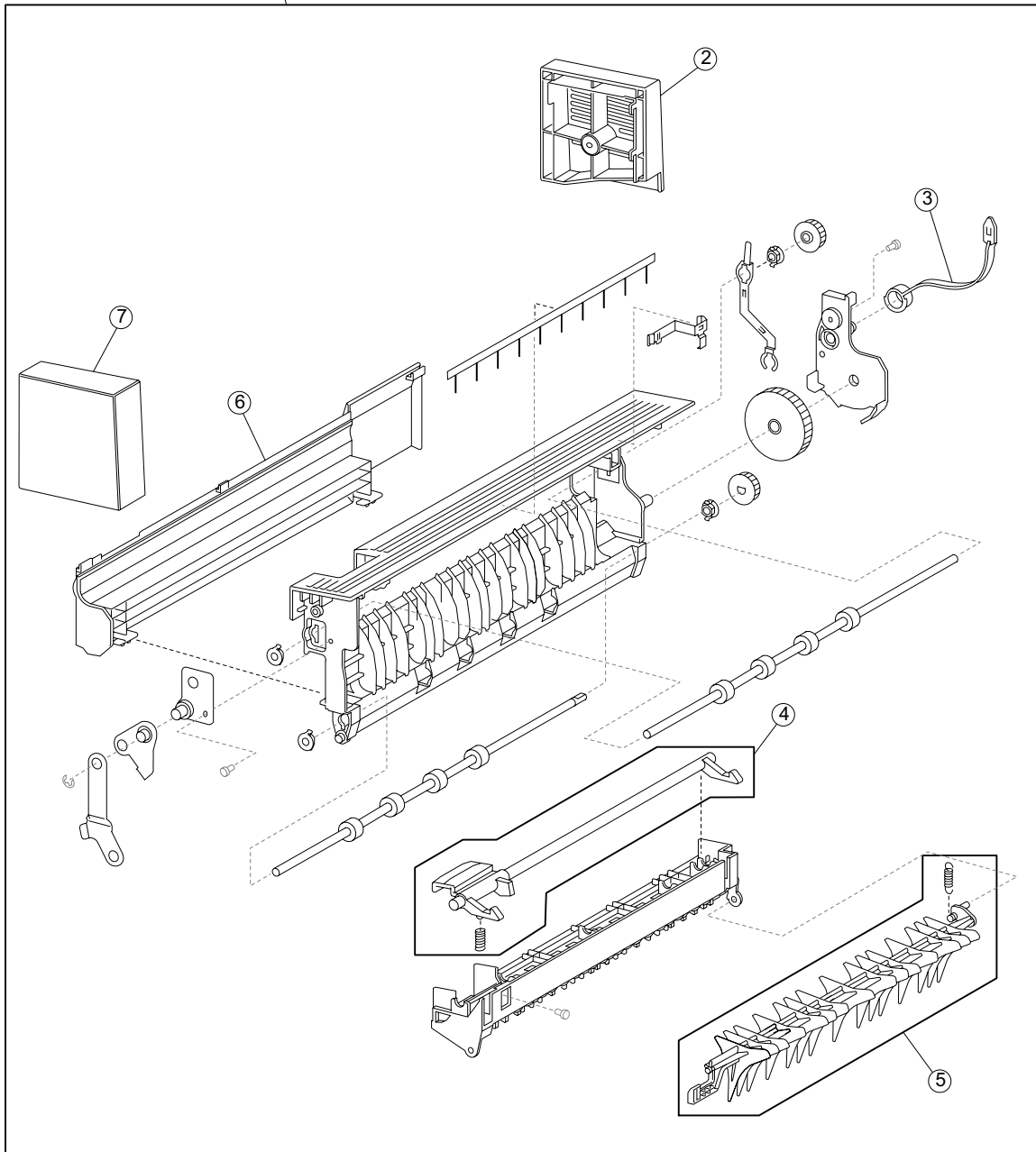
Assembly 23: Duplex inner

Asm-Index	Part number	Units/ option	Units/ FRU	Description
23—1	40X0780	1	1	Duplex unit assembly (this comes assembled)
2	40X0792	1	20	Duplex media transport pinch roll kit includes: <ul style="list-style-type: none"> • Duplex media transport pinch roll (10) • Spring (10)
3	40X0790	1	2	Docking lock (2)
4	40X0791	1	2	Hinge pin (2)
5	40X0793	1	9	Duplex media transport roll kit includes: <ul style="list-style-type: none"> • Bushing 6 mm (6) • Duplex media transport roll (2) • Duplex media center transport roll
6	40X0789	1	1	Duplex left door support strap

Assembly 24: Exit 2 outer

①

Note: This assembly includes everything on pages 7-48 and 7-50.

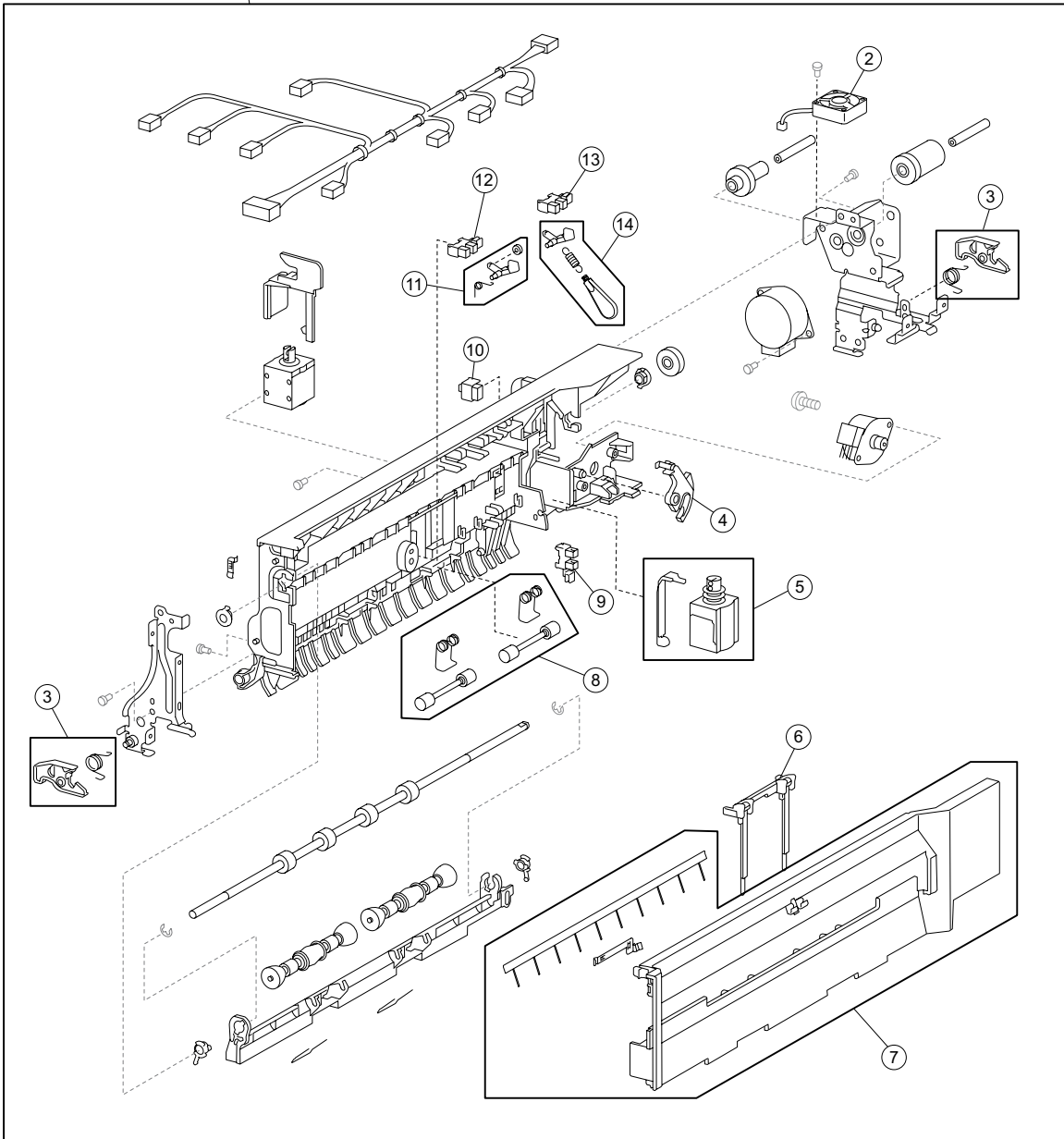


Assembly 24: Exit 2 outer

Asm-Index	Part number	Units/option	Units/FRU	Description
24—1	40X0794	1	1	Exit 2 unit assembly (this comes assembled)
2	40X0800	1	1	Rear cover
3	40X0797	1	1	Exit 2 left door support strap
4	40X0795	1	2	Exit 2 left door handle kit includes: <ul style="list-style-type: none"> • Exit 2 left door handle • Spring
5	40X0796	1	2	Media diverter gate kit includes: <ul style="list-style-type: none"> • Media diverter gate • Spring
6	40X0798	1	1	Left cover
7	40X0799	1	1	Front cover

Assembly 25: Exit 2 inner

1 Note: This assembly includes everything on pages 7-48 and 7-50.



Assembly 25: Exit 2 inner

Asm-Index	Part number	Units/option	Units/FRU	Description
25—1	40X0794	1	1	Exit 2 unit assembly (this comes assembled)
2	40X0807	1	1	Exit 2 cooling fan
3	40X0802	1	4	Docking latch kit includes: <ul style="list-style-type: none"> • Docking latch (2) • Docking latch spring F • Docking latch spring R
4	40X0803	1	1	Exit 2 media shift gear
5	40X0805	1	2	Media diverter solenoid kit includes: <ul style="list-style-type: none"> • Media diverter solenoid • Media diverter link
6	40X0657	1	3	Bin full actuator kit includes: <ul style="list-style-type: none"> • Standard bin 1 full shaft • Standard bin 1 full actuator • Output guide
7	40X0801	1	3	Right cover kit includes: <ul style="list-style-type: none"> • Right cover • Right cover anti static brush • Right cover grounding plate
8	40X0806	1	4	Pinch roll kit includes: <ul style="list-style-type: none"> • Spring (2) • Pinch roll (2)
9	40X0588	1	1	Sensor (exit 2 media shift HP)
10	40X0610	1	1	Switch (exit 2 left door interlock)
11	40X0809	1	3	Exit 2 actuator kit includes: <ul style="list-style-type: none"> • Exit 2 actuator • Roller • Spring
12	40X0588	1	1	Sensor (exit 2)
13	40X0588	1	1	Sensor (standard bin full exit 2)
14	40X0808	1	3	Bin full actuator kit includes: <ul style="list-style-type: none"> • Bin full actuator inner • Bin full actuator outer • Spring

Finisher Parts catalog

How to use this parts catalog

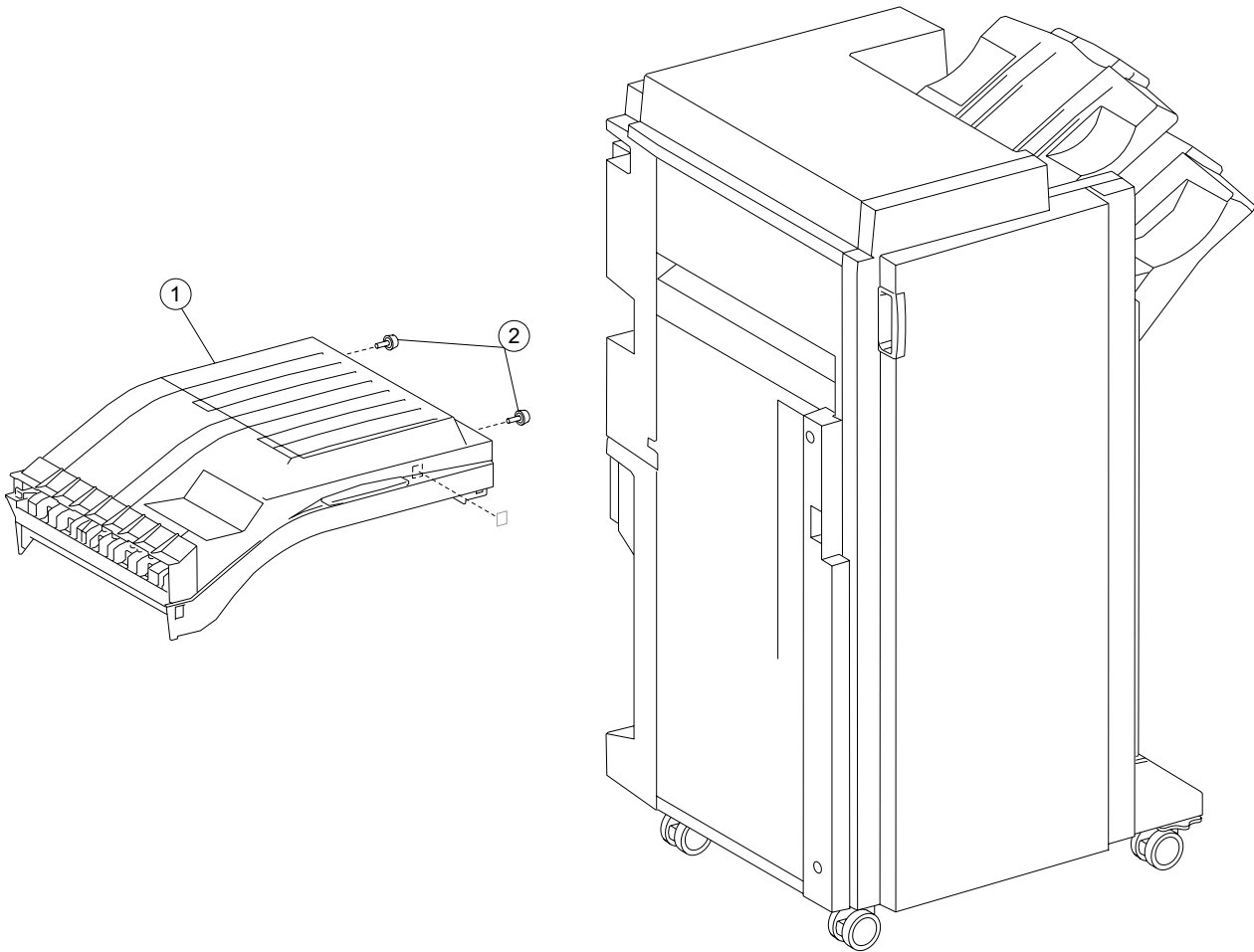
This parts catalog lists information for the finisher only. Refer to the *Printer Service Manual* for the base unit information.

The following legend is used in the parts catalog:

Asm-Index	Part number	Units/option	Units/FRU	Description
-----------	-------------	--------------	-----------	-------------

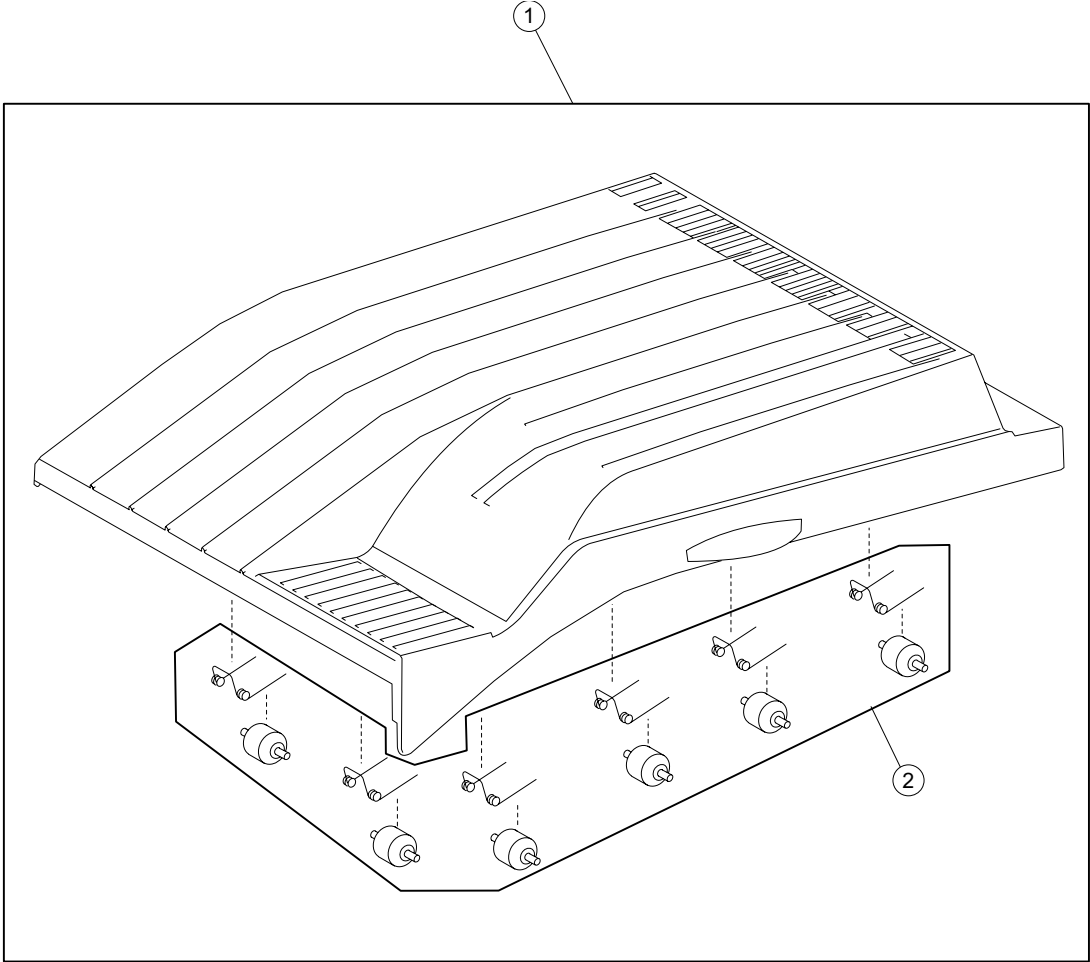
- **Asm-index:** Identifies the assembly and the item in the diagram. For example, 3-1 indicates Assembly 3 and item number 1 in the table.
- **Part number:** Identifies the unique number that identifies this FRU.
- **Units/option:** Refers to the number of units in a particular option. It does not include the rest of the base machine.
- **Units/FRU:** Refers to the number of units packaged together and identified by the part number.
- **NS:** (Not shown) in the Asm-Index column indicates that the part is procurable but is not pictured in the illustration.
- **PP:** (Parts Packet) in the parts description column indicates the part is contained in a parts packet.

Assembly 1: Bridge unit



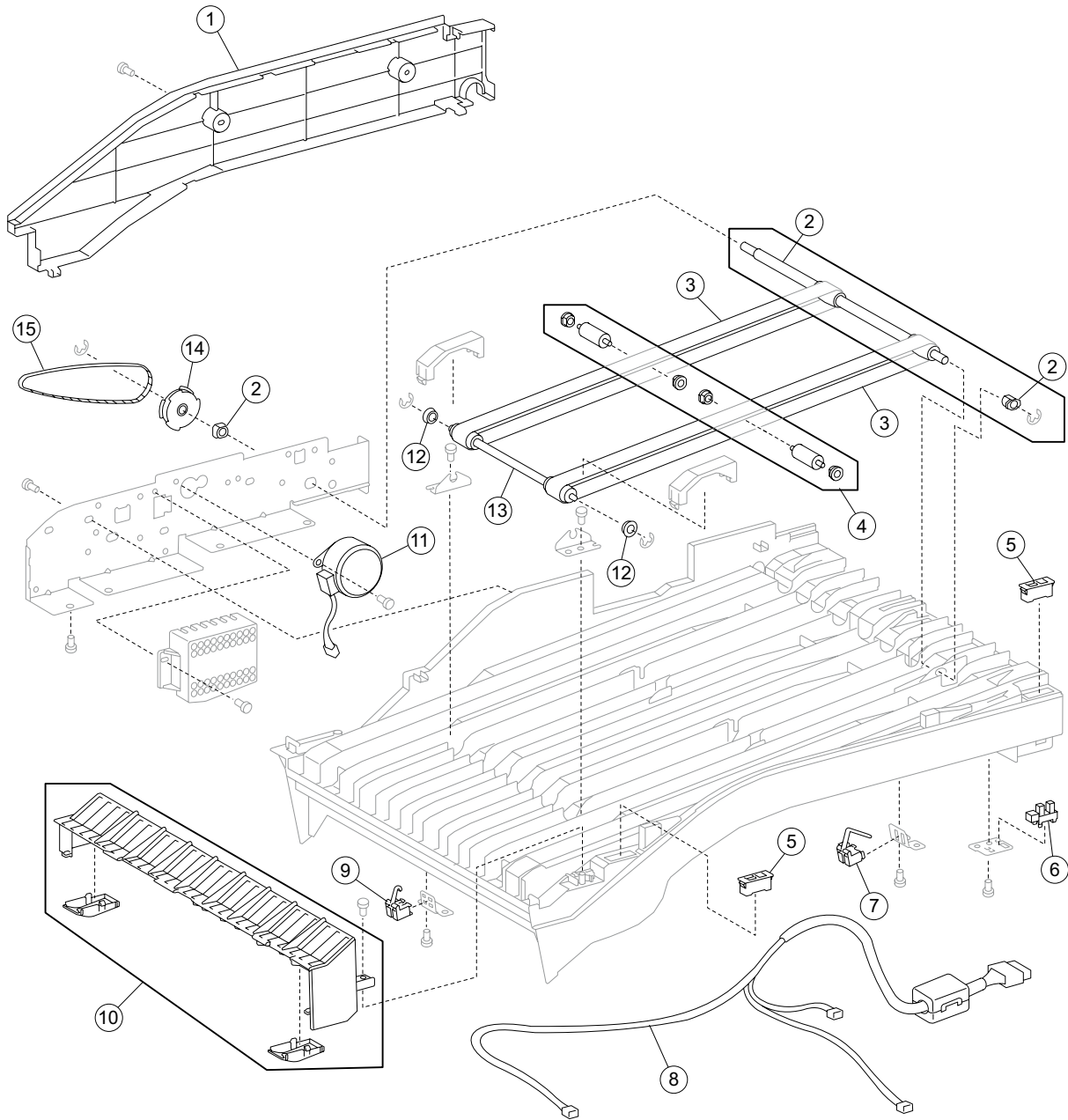
Asm-Index	Part number	Units/option	Units/FRU	Description
1—1	40X0811	1	1	Bridge unit assembly
2	40X0810	1	2	Bridge unit assembly docking screw (2)

Assembly 2: Bridge unit top cover assembly



Asm-Index	Part number	Units/option	Units/FRU	Description
2—1	40X0813	1	1	Bridge unit top cover assembly
2	40X0812	1	12	Bridge unit pinch roll kit includes: <ul style="list-style-type: none">• Bridge unit pinch roll (6)• Spring (6)

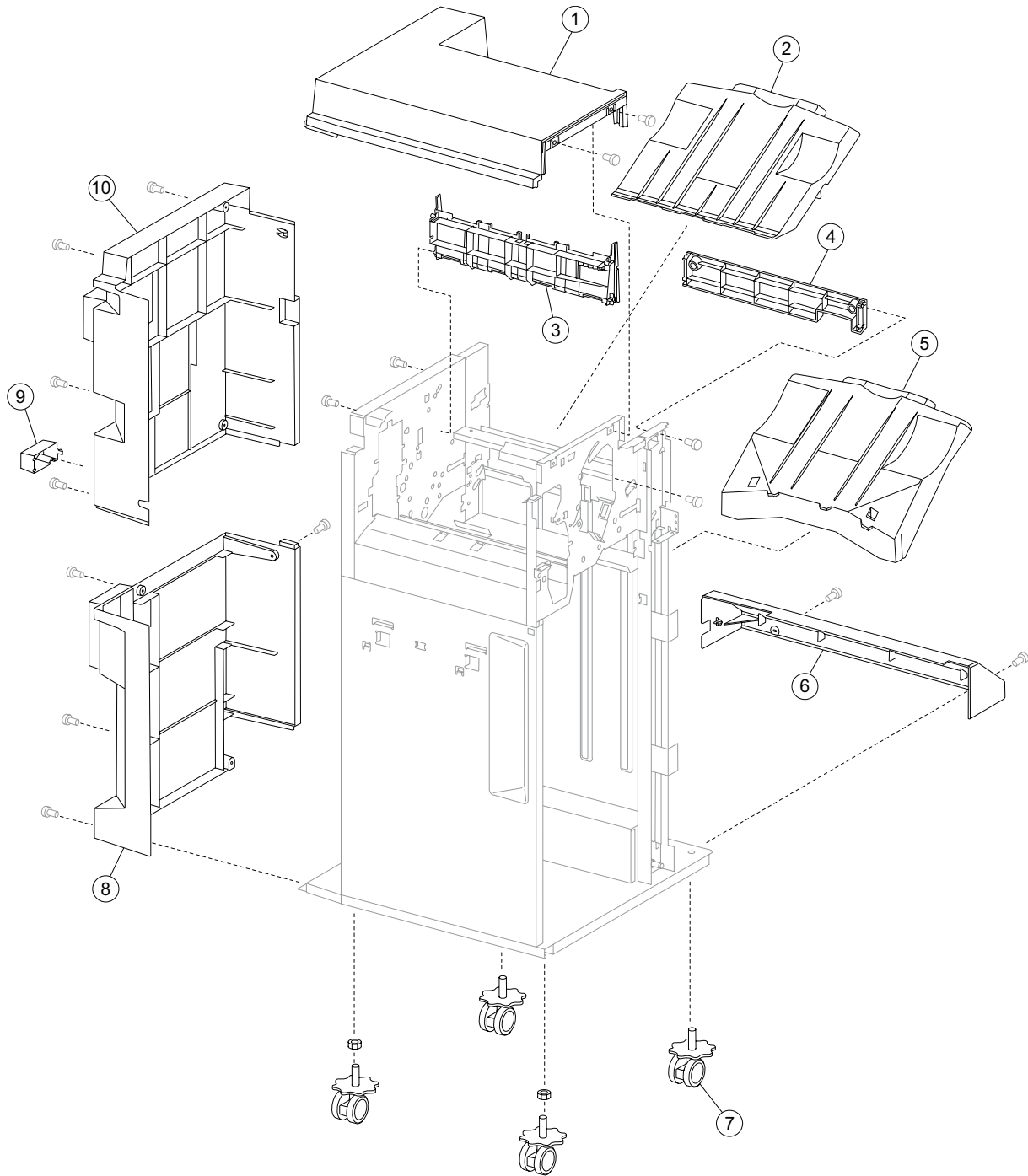
Assembly 3: Bridge unit lower assembly



Assembly 3: Bridge unit lower assembly

Asm-Index	Part number	Units/option	Units/FRU	Description
3—1	40X0814	1	1	Bridge unit rear cover
2	40X0822	1	3	Bridge unit right shaft kit includes: <ul style="list-style-type: none"> • 6 mm bushing • Bridge unit right shaft assembly • 6 mm bushing
3	40X0820	1	2	Transport belts (2)
4	40X0821	1	6	Idler roll kit includes: <ul style="list-style-type: none"> • Idler roll (2) • Bushing (4)
5	40X0824	8	1	Magnetic catch
6	40X0825	1	1	Sensor (bridge unit top cover interlock)
7	40X0826	1	1	Sensor (bridge unit media exit)
8	40X0828	1	1	Bridge unit cable assembly
9	40X0827	1	1	Sensor (bridge unit media entrance)
10	40X0818	1	3	Bridge unit entrance guide kit includes: <ul style="list-style-type: none"> • Entrance guide • Lower guides (2)
11	40X0817	1	1	Bridge unit drive motor
12	40X0819	2	1	4 mm ball bearing
13	40X0823	1	1	Bridge unit left shaft assembly
14	40X0816	1	1	Bridge unit drive pulley
15	40X0815	1	1	Bridge unit drive belt

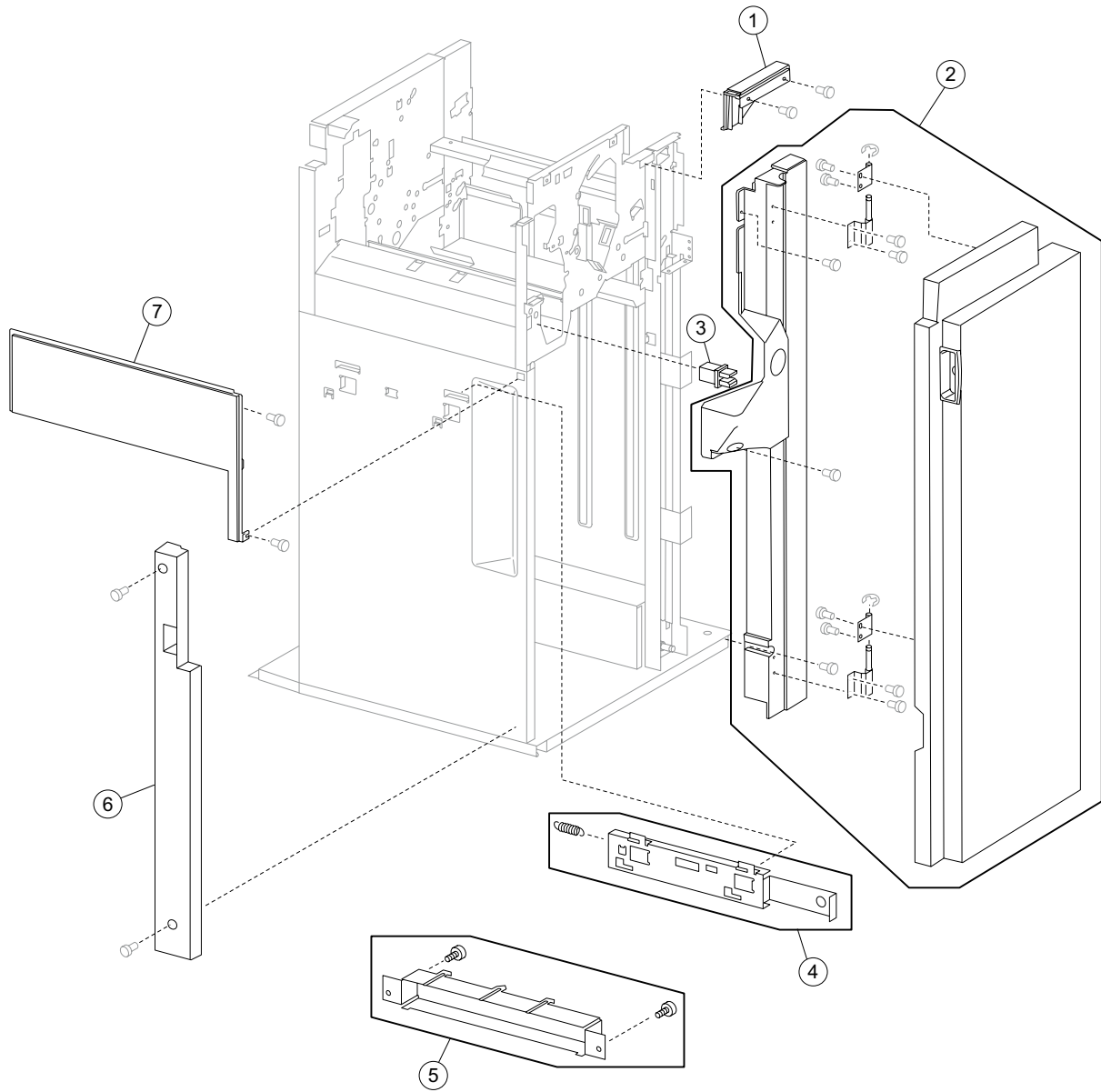
Assembly 4: Covers



Assembly 4: Covers

Asm-Index	Part number	Units/option	Units/FRU	Description
4—1	40X0829	1	1	Top cover
2	40X0831	1	1	Upper media bin assembly
3	40X0830	1	1	Upper media bin vertical cover
4	40X0832	1	1	Right eject cover
5	40X0833	1	1	Stacker media bin
6	40X0834	1	1	Right lower LVPS cover
7	40X0835	4	1	Caster
8	40X0836	1	1	Rear lower cover
9	40X0837	1	1	Bridge unit hookup cover
10	40X0838	1	1	Rear upper cover

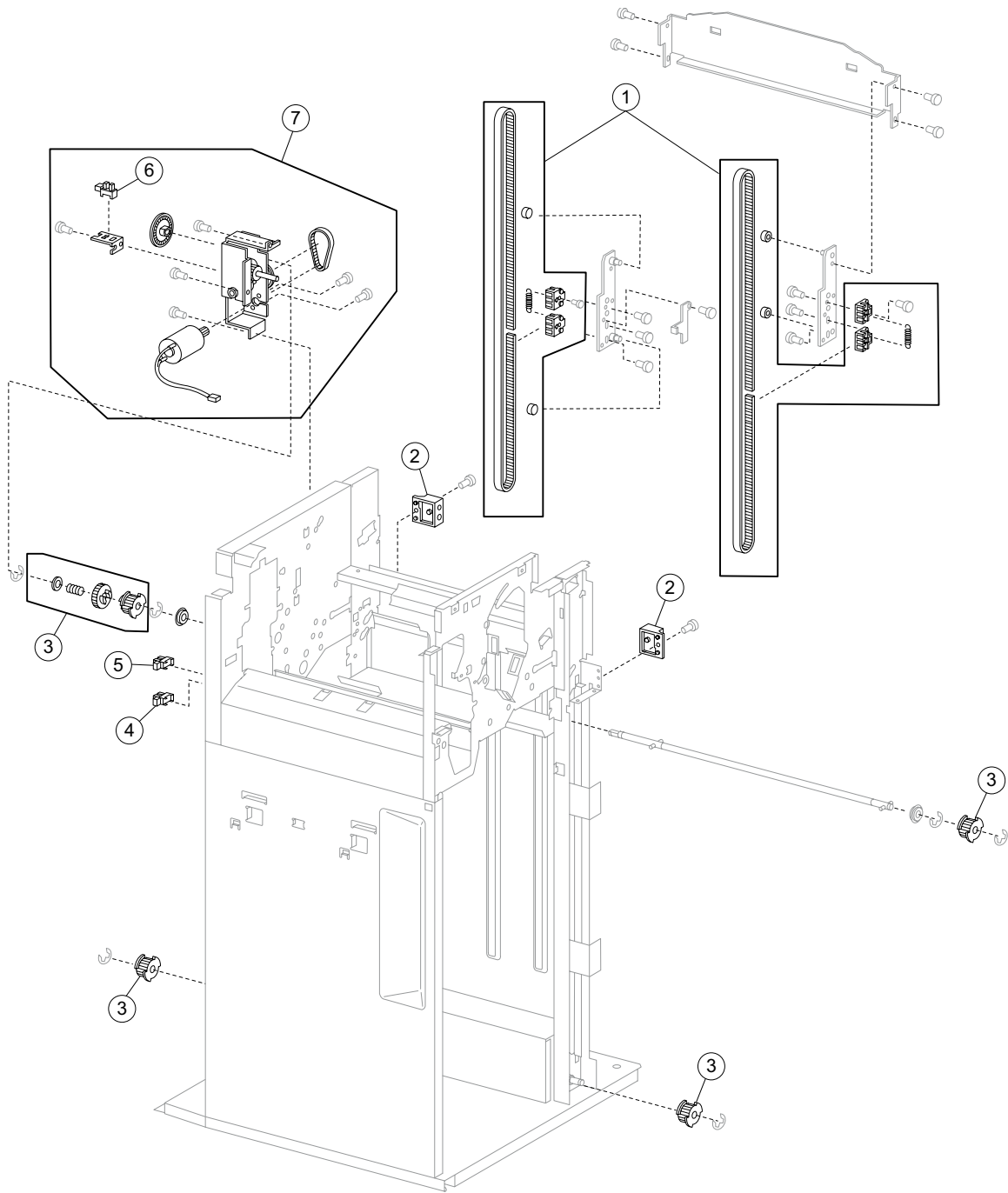
Assembly 5: Covers and front door



Assembly 5: Covers and front door

Asm-Index	Part number	Units/option	Units/FRU	Description
5—1	40X0839	1	1	Upper media bin front cover
2	40X0841	1	1	Finisher front door assembly
3	40X0840	1	1	Switch (finisher front door interlock)
4	40X0842	1	2	Finisher docking latch kit includes: <ul style="list-style-type: none"> • Finisher docking latch assembly • Spring
5	40X0843	1	3	Finisher docking bracket kit includes: <ul style="list-style-type: none"> • Finisher docking bracket • Screw (2)
6	40X0844	1	1	Left lower cover
7	40X0845	1	1	Left upper cover

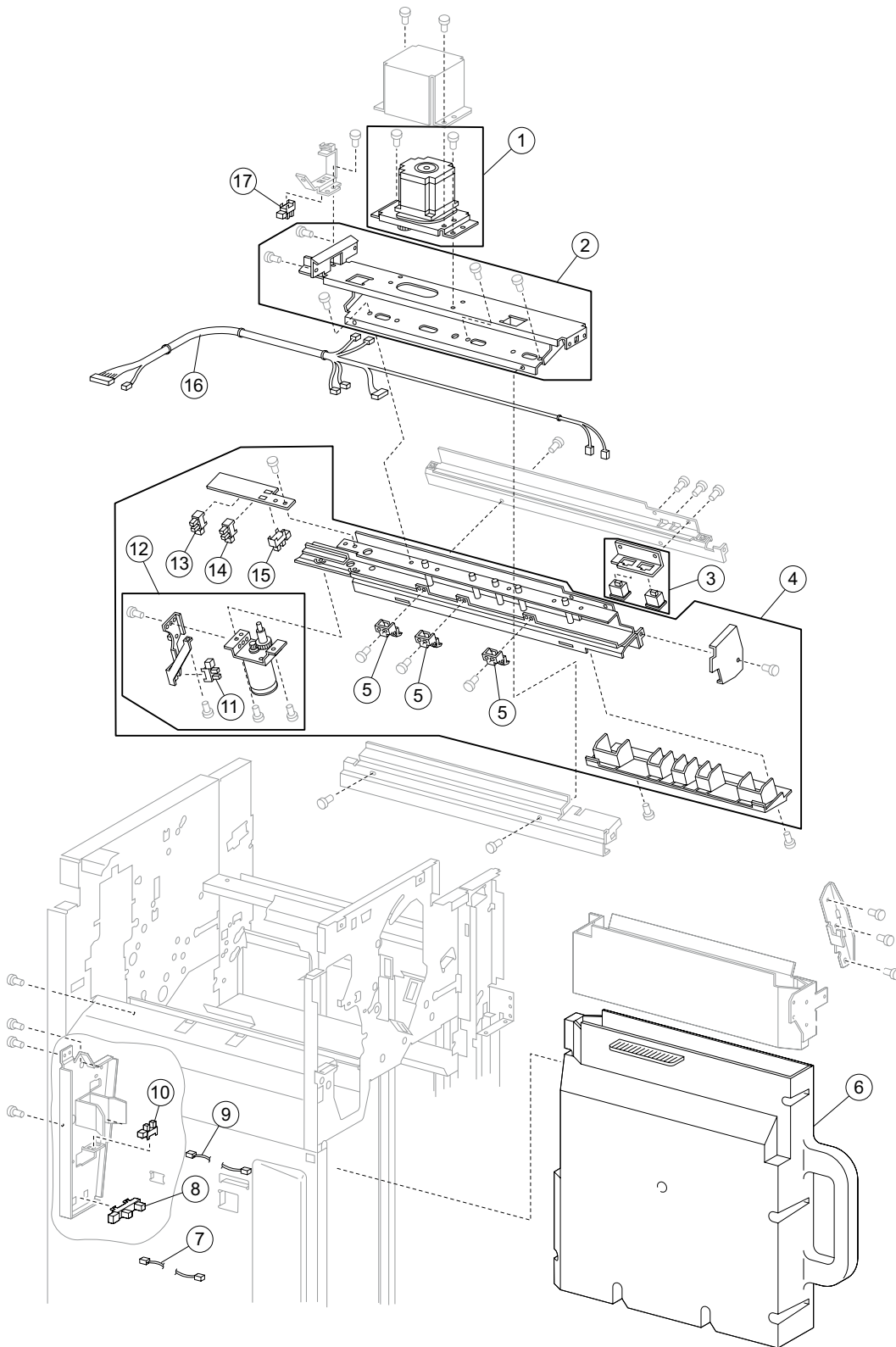
Assembly 6: Stacker bin lift



Assembly 6: Stacker bin lift

Asm-Index	Part number	Units/ option	Units/ FRU	Description
6—1	40X0846	2	6	Carriage lift belt kit includes: <ul style="list-style-type: none"> • Carriage lift belt • Belt clamp (2) • Spring • Roll (2)
2	40X0847	2	1	Sensor (stacker bin level)
3	40X0849	1	7	Stacker slip clutch pulley kit includes: <ul style="list-style-type: none"> • Pulley, 18T (3) • Slip clutch pulley, 18T • Slip clutch gear, 24T • Spring • Washer
4	40X0850	1	1	Sensor (stacker bin no media)
5	40X0850	1	1	Sensor (stacker bin upper limit)
6	40X0850	1	1	Sensor (stacker bin level encoder)
7	40X0848	2	1	10 mm ball bearing

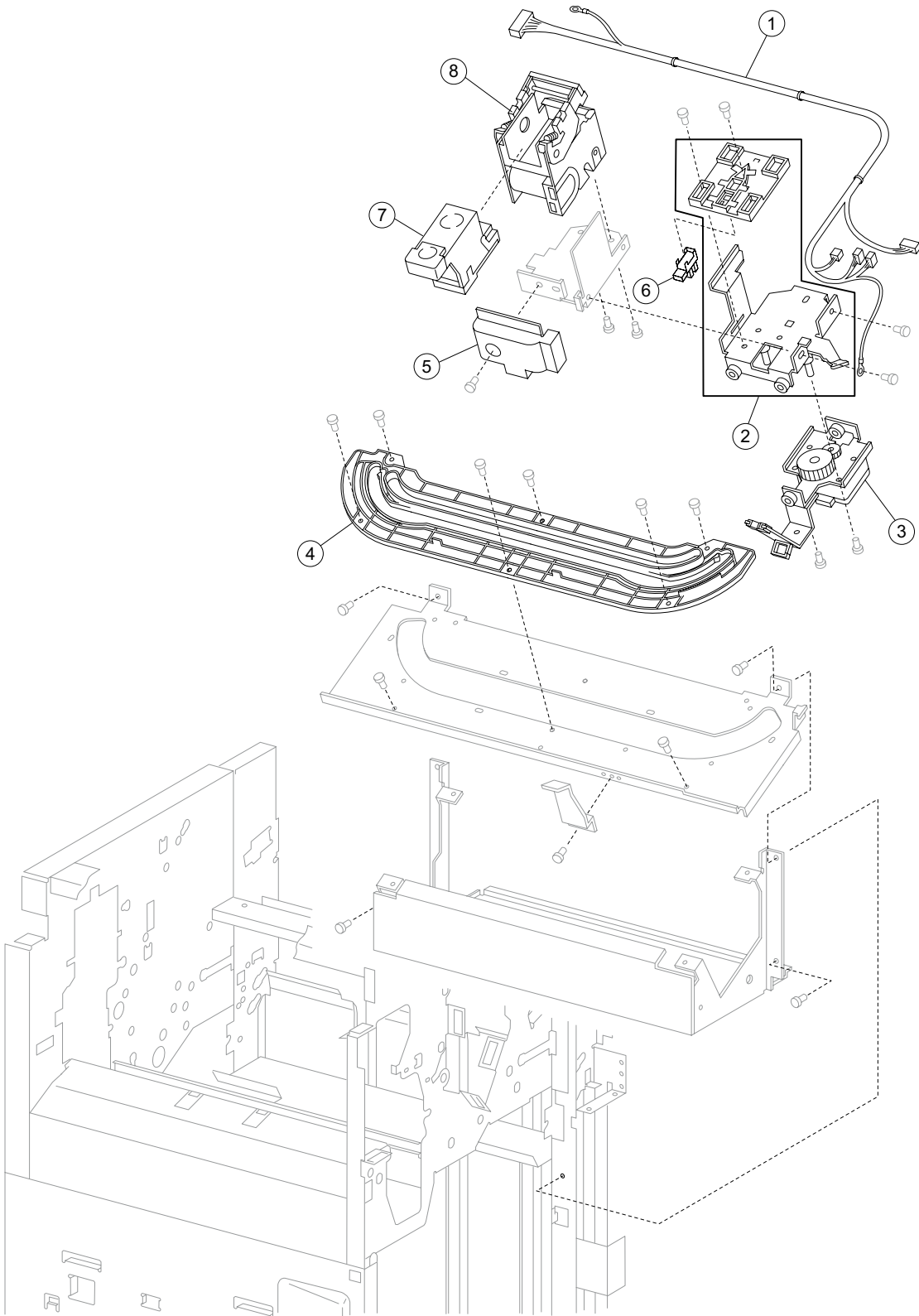
Assembly 7: Punch



Assembly 7: Punch

Asm-Index	Part number	Units/option	Units/FRU	Description
7—1	40X0854	1	1	Punch carriage shift motor assembly
2	40X0855	1	1	Punch carriage assembly
3	40X0856	1	1	Sensor (punch unit side reg) assembly <ul style="list-style-type: none"> • Sensor (punch unit side reg1) • Sensor (punch unit side reg2) • Bracket
4	40X0857	1	1	2/3 punch unit assembly (this comes assembled)
4	40X0858	1	1	2/4 punch unit assembly (this comes assembled)
5	40X0859	3	1	Punch media stopper assembly
6	40X0862	1	1	Punch waste box
7	40X0930	1	1	Punch waste box full cable assembly
8	40X0864	1	1	Sensor (punch waste box full)
9	40X0865	1	1	Punch waste box set cable assembly
10	40X0861	1	1	Sensor (punch waste box set)
11	40X0850	1	1	Sensor (punch unit motor encoder)
12	40X0860	1	1	Punch unit motor assembly
13	40X0850	1	1	Sensor (punch hole select)
14	40X0850	1	1	Sensor (punch cam front)
15	40X0850	1	1	Sensor (punch unit HP)
16	40X0853	1	1	Punch unit cable assembly
17	40X0850	1	1	Sensor (punch carriage shift HP)

Assembly 8: Stapler



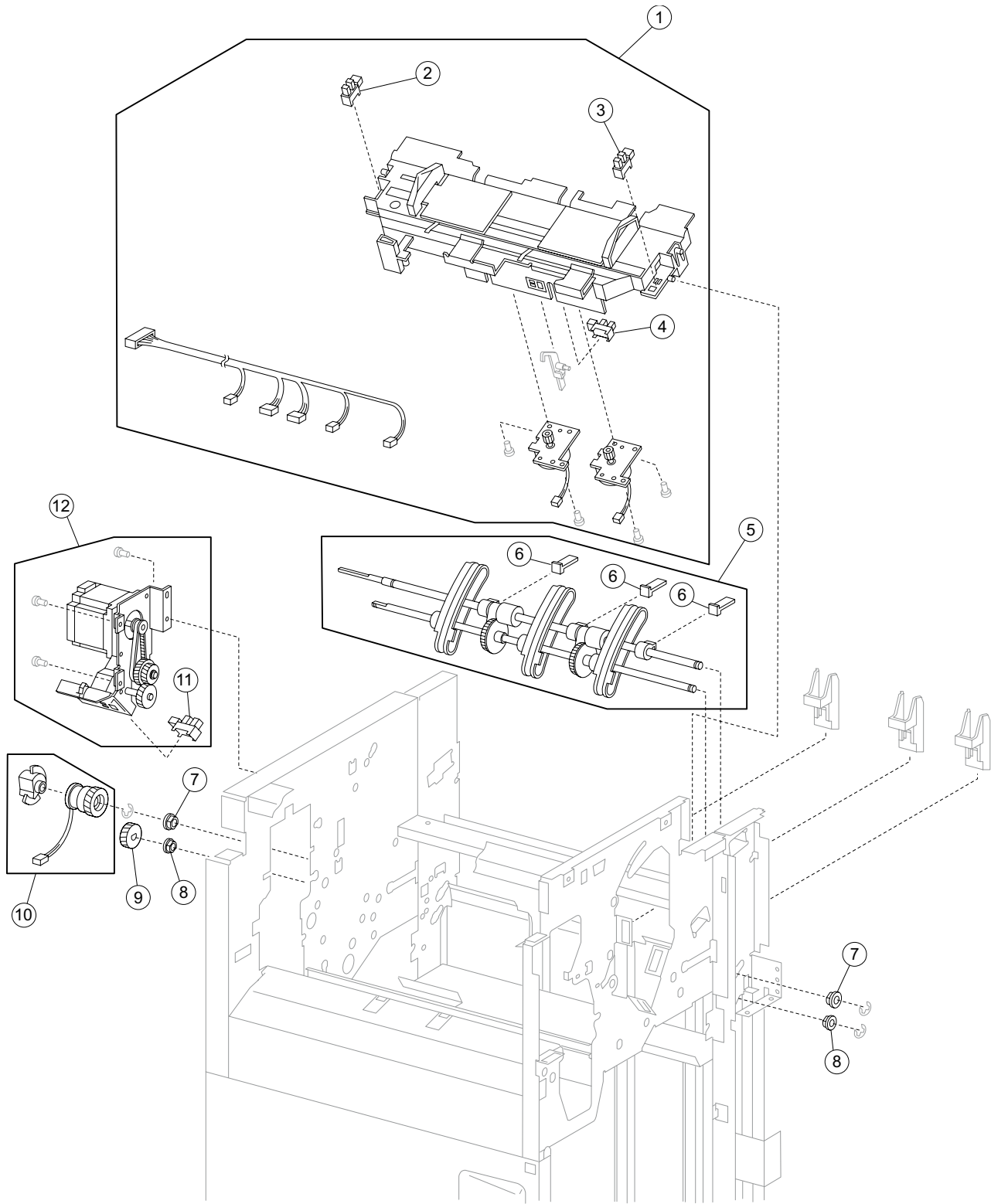
Assembly 8: Stapler

Asm-Index	Part number	Units/option	Units/FRU	Description
8—1	40X0870	1	1	Stapler unit cable assembly
2	40X0869	1	2	Stapler carriage assembly includes: <ul style="list-style-type: none"> • Stapler carriage wire guide • Stapler carriage assembly
3	40X0871	1	1	Stapler carriage motor assembly
4	40X0872	1	1	Stapler carriage rack gear
5	40X0868	1	1	Stapler unit cover
6	40X0850	1	1	Sensor (stapler carriage HP)
7	40X0866	1	1	Staple cartridge
8	40X0867	1	1	Stapler unit assembly

Assembly 9: Media eject

Asm-Index	Part number	Units/option	Units/FRU	Description
9—1	40X0873	1	1	Media eject unit assembly (this comes assembled)
2	40X0874	2	1	Sub paddle
3	40X0875	1	2	Sub paddle drive shaft kit includes: <ul style="list-style-type: none"> • Sub paddle drive shaft assembly • Knob
4	40X0882	1	1	Switch (eject cover interlock)
5	40X0878	4	1	8 mm bushing
6	40X0888	15	1	6 mm bushing
7	40X0879	2	2	Sub paddle/entrance drive gear 23T
8	40X0877	1	1	Eject clamp lever assembly
9	40X0825	1	1	Sensor (media eject shaft HP)
10	40X0881	1	3	Eject clamp gear kit includes: <ul style="list-style-type: none"> • Eject clamp gear 70T • Eject clamp gear 23T • Eject clamp gear 68/20T
11	40X0876	1	1	Media eject clamp motor

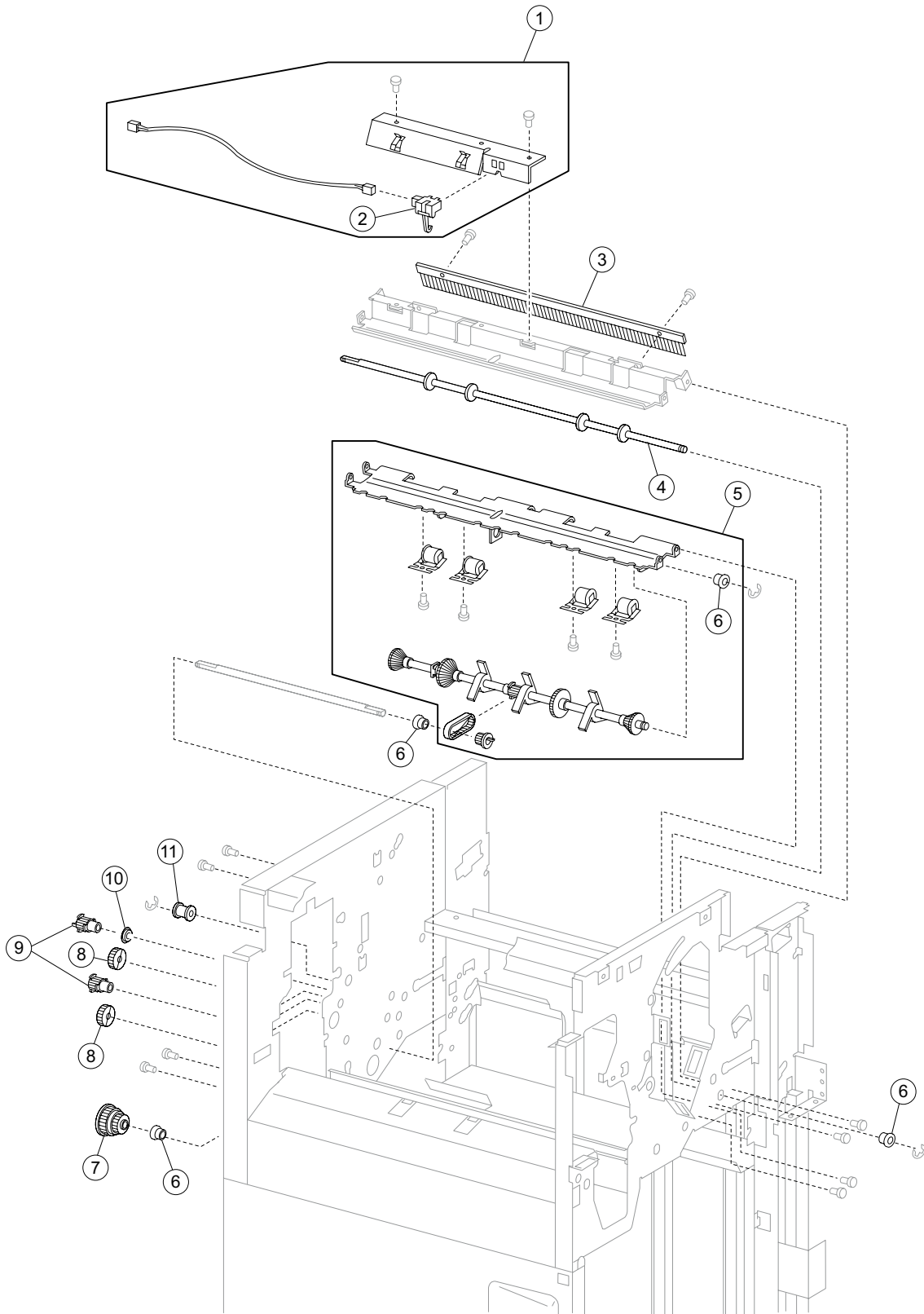
Assembly 10: Eject and compiler unit



Assembly 10: Eject and compiler unit

Asm-Index	Part number	Units/option	Units/FRU	Description
10—1	40X0883	1	1	Media compiler unit assembly (this comes assembled)
2	40X0850	1	1	Sensor (rear tamper HP)
3	40X0850	1	1	Sensor (front tamper HP)
4	40X0825	1	1	Sensor (compiler media in)
5	40X0886	1	1	Media eject shaft assembly
6	40X0887	3	1	Clamp paddle
7	40X0888	15	1	6 mm bushing
8	40X0878	4	1	8 mm bushing
9	40X0889	2	1	Media eject shaft gear 39T
10	40X0890	1	2	Media eject clutch kit includes: <ul style="list-style-type: none"> • Media eject clutch • Media eject clutch actuator
11	40X0825	1	1	Sensor (media eject shaft HP)
12	40X0891	1	1	Media eject motor assembly

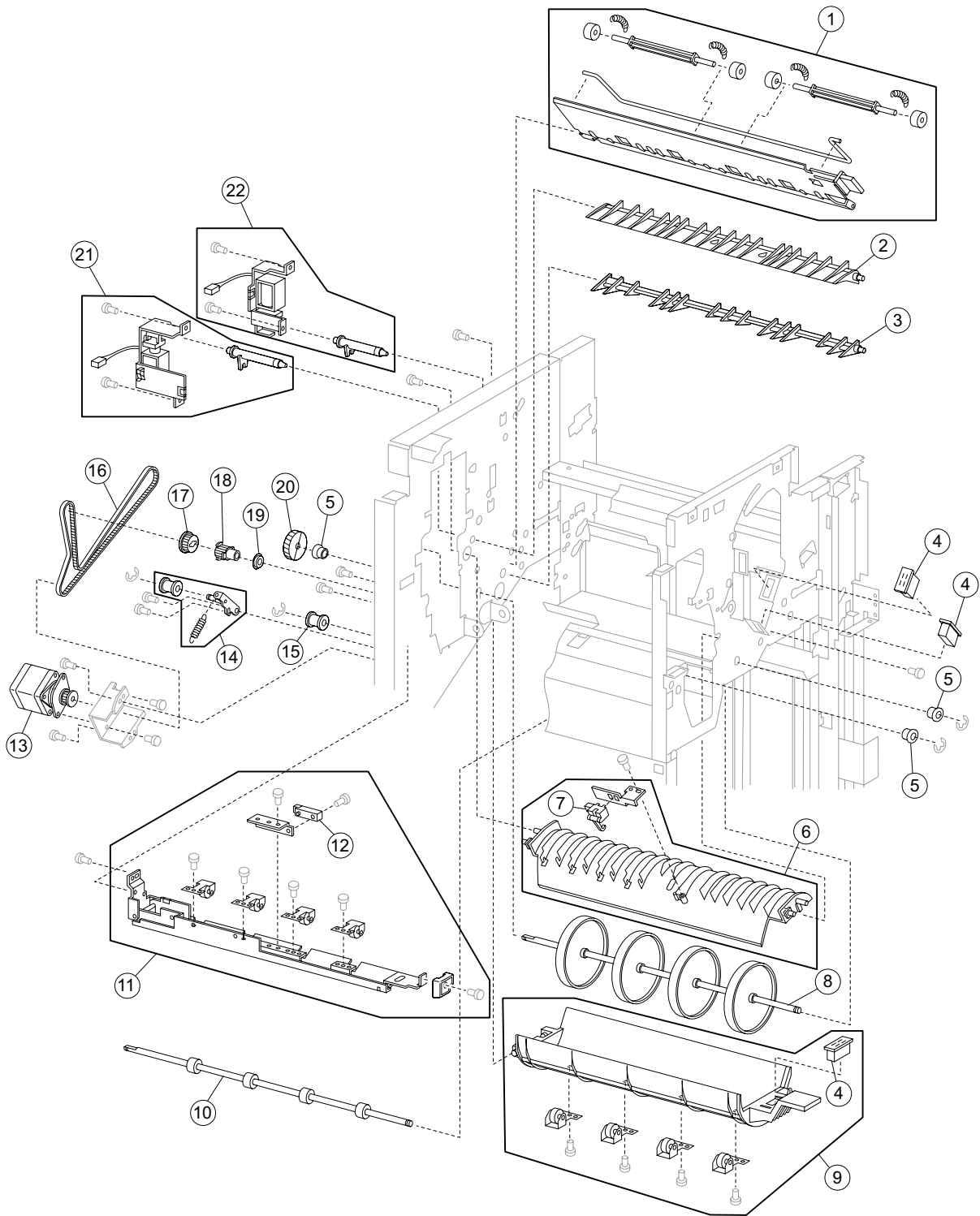
Assembly 11: Lower exit drive



Assembly 11: Lower drive

Asm-Index	Part number	Units/option	Units/FRU	Description
11—1	40X0892	1	1	Sensor (lower media exit) with bracket
2	40X0893	1	1	Sensor (lower media exit)
3	40X0894	1	1	Static eliminator brush
4	40X0895	1	1	Lower media exit roll assembly
5	40X0896	1	2	Main paddle shaft kit includes: (this comes assembled) <ul style="list-style-type: none"> • Main paddle shaft assembly • Main paddle shaft drive pulley 17T
6	40X0888	15	1	6 mm bushing
7	40X0900	1	1	Main paddle drive pulley/gear 44/20T
8	40X0899	1	2	Main paddle idler gear kit includes: <ul style="list-style-type: none"> • Main paddle idler gear 23TR • Main paddle idler gear 23TL
9	40X0898	1	2	Lower exit roll pulley kit includes: <ul style="list-style-type: none"> • Lower exit roll drive pulley 20T • Idler pulley 20T
10	40X0913	4	1	6 mm ball bearing
11	40X0897	3	1	Belt idler pulley

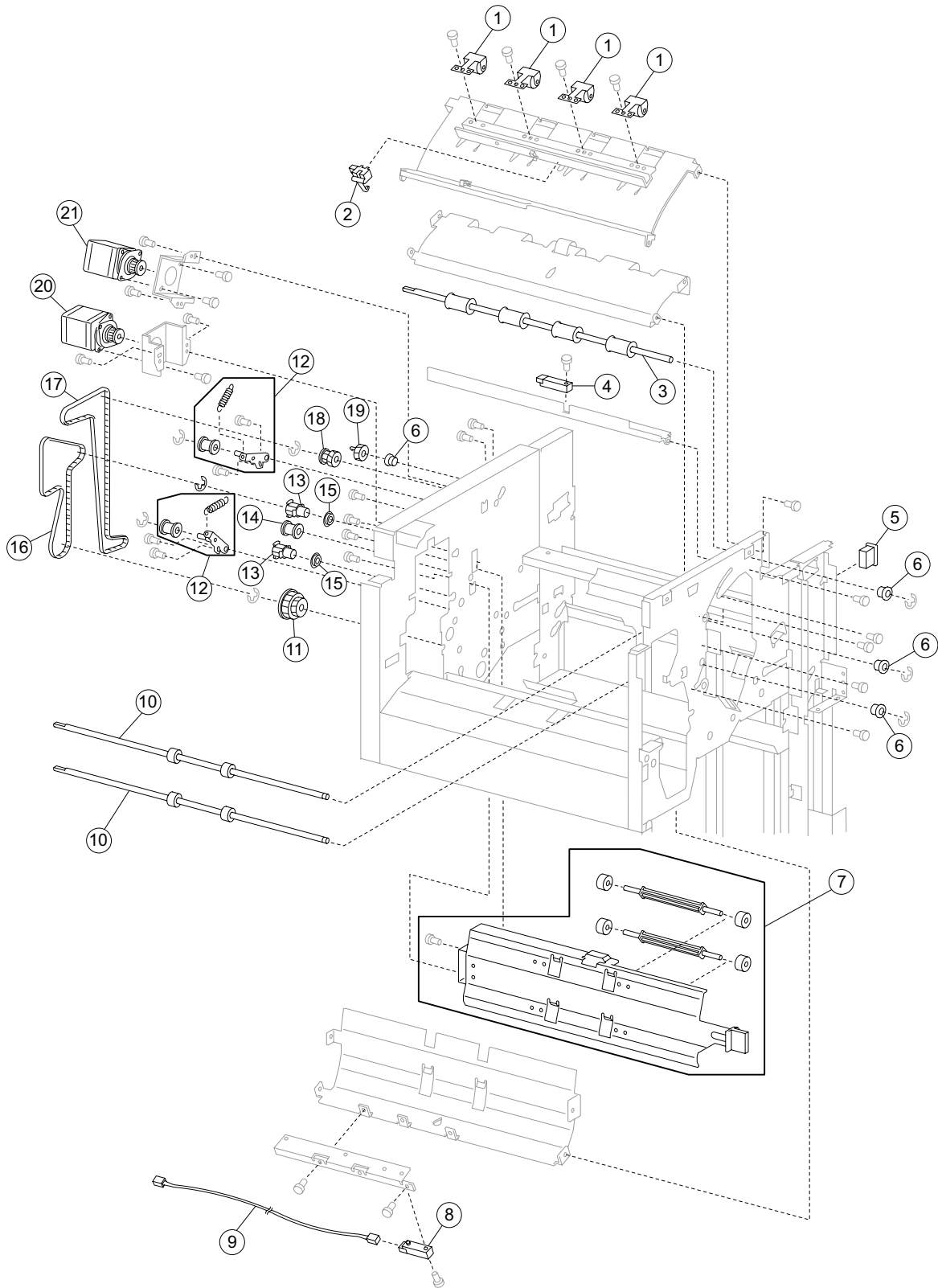
Assembly 12: Buffer and entrance drive



Assembly 12: Buffer and entrance drive

Asm-Index	Part number	Units/option	Units/FRU	Description
12—1	40X0901	1	1	Lower pinch guide assembly (this comes assembled)
2	40X0902	1	1	Media diverter gate
3	40X0903	1	1	Buffer diverter gate
4	40X0824	8	1	Magnetic catch
5	40X0888	15	1	6 mm bushing
6	40X0904	1	1	Buffer upper guide assembly
7	40X0893	1	1	Sensor (buffer path)
8	40X0905	1	1	Buffer roll assembly
9	40X0906	1	1	Buffer pinch guide assembly (this comes assembled)
10	40X0909	1	1	Media entrance roll assembly
11	40X0907	1	1	Media entrance pinch guide assembly (this comes assembled)
12	40X0908	1	1	Sensor (finisher media entrance)
13	40X0910	1	1	Drive motor (entrance/paddle)
14	40X0912	3	3	Belt tensioner pulley kit includes: <ul style="list-style-type: none"> • Belt idler pulley • Spring • Belt tensioner bracket
15	40X0897	3	1	Belt idler pulley
16	40X0911	1	1	Belt entrance/paddle, 31.6 cm
17	40X0879	2	1	Sub paddle/entrance drive gear 23T
18	40X0914	1	1	Media entrance roll drive pulley 20T
19	40X0913	4	1	6 mm ball bearing
20	40X0915	1	1	Buffer roll drive gear 46T
21	40X0916	1	2	Media diverter solenoid kit includes: <ul style="list-style-type: none"> • Media diverter solenoid • Media diverter solenoid link
22	40X0917	1	2	Buffer diverter solenoid kit includes: <ul style="list-style-type: none"> • Buffer diverter solenoid • Buffer diverter solenoid link

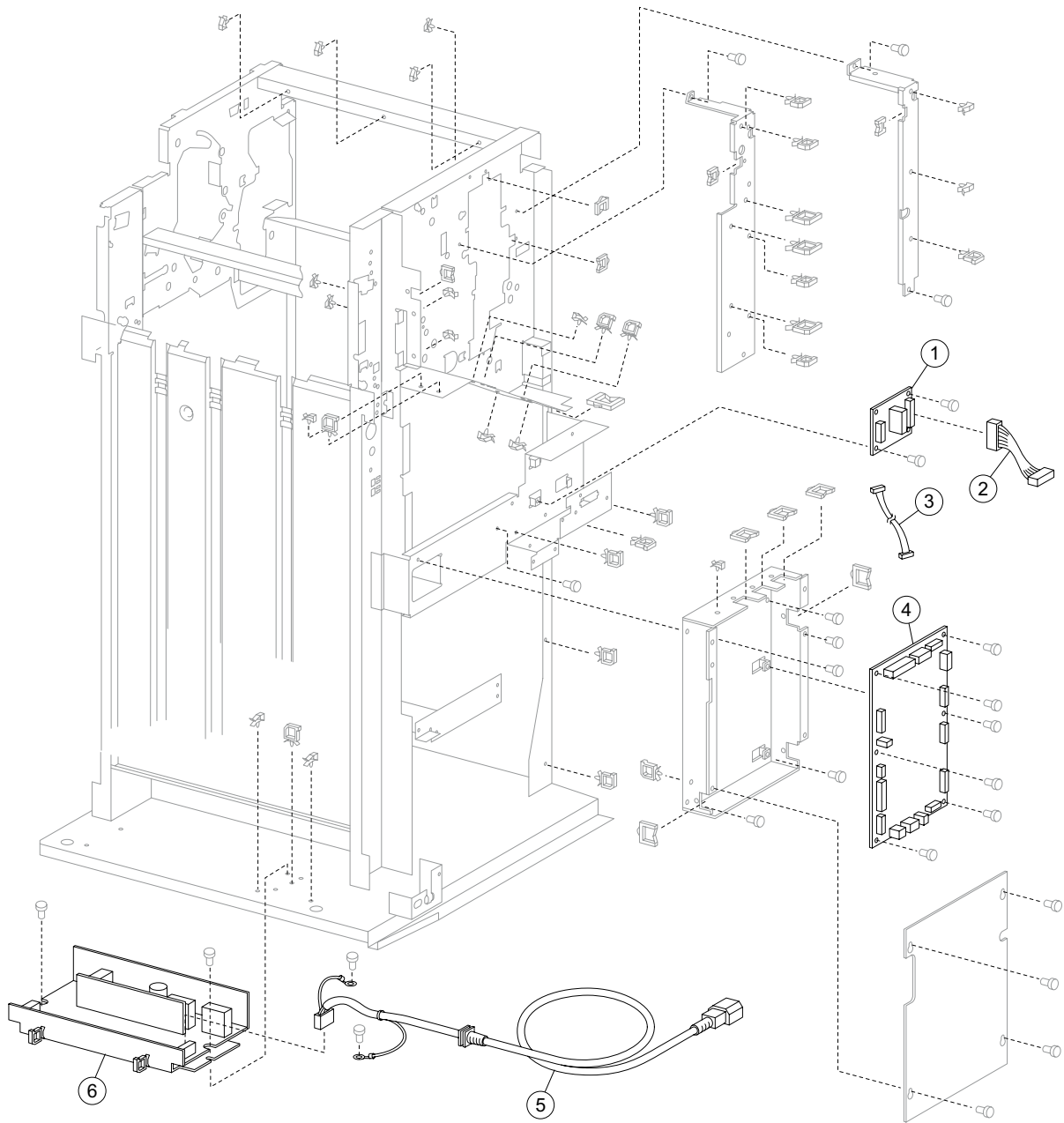
Assembly 13: Buffer, transport, and upper drive



Assembly 13: Transport and upper drive

Asm-Index	Part number	Units/option	Units/FRU	Description
13—1	40X0918	4	1	Upper media exit pinch roll assembly
2	40X0893	1	1	Sensor (upper media exit)
3	40X0919	1	1	Upper media exit roll assembly
4	40X0908	1	1	Sensor (upper media bin full)
5	40X0824	8	1	Magnetic catch
6	40X0888	15	1	6 mm bushing
7	40X0920	1	1	Upper pinch guide assembly (this comes assembled)
8	40X0921	1	1	Sensor (diverter gate)
9	40X0922	1	1	Diverter gate sensor cable lower assembly
10	40X0923	2	1	Upper media transport roll assembly
11	40X0924	1	1	Buffer roll drive pulley/gear 53/23T
12	40X0912	3	3	Belt tensioner bracket kit includes: <ul style="list-style-type: none"> • Belt idler pulley • Spring • Belt tensioner bracket
13	40X0925	2	1	Upper media transport roll drive pulley 20T
14	40X0897	3	1	Belt idler pulley
15	40X0913	4	1	6 mm ball bearing
16	40X0928	1	1	Belt (buffer transport) 19.8 cm
17	40X0929	1	1	Belt (exit) 27.7 cm
18	40X0926	1	1	Upper media exit roll drive pulley/gear, 20T/20T
19	40X0927	1	1	Upper media exit roll drive gear 20T
20	40X0910	1	1	Drive motor (buffer/transport)
21	40X0910	1	1	Drive motor (exit)

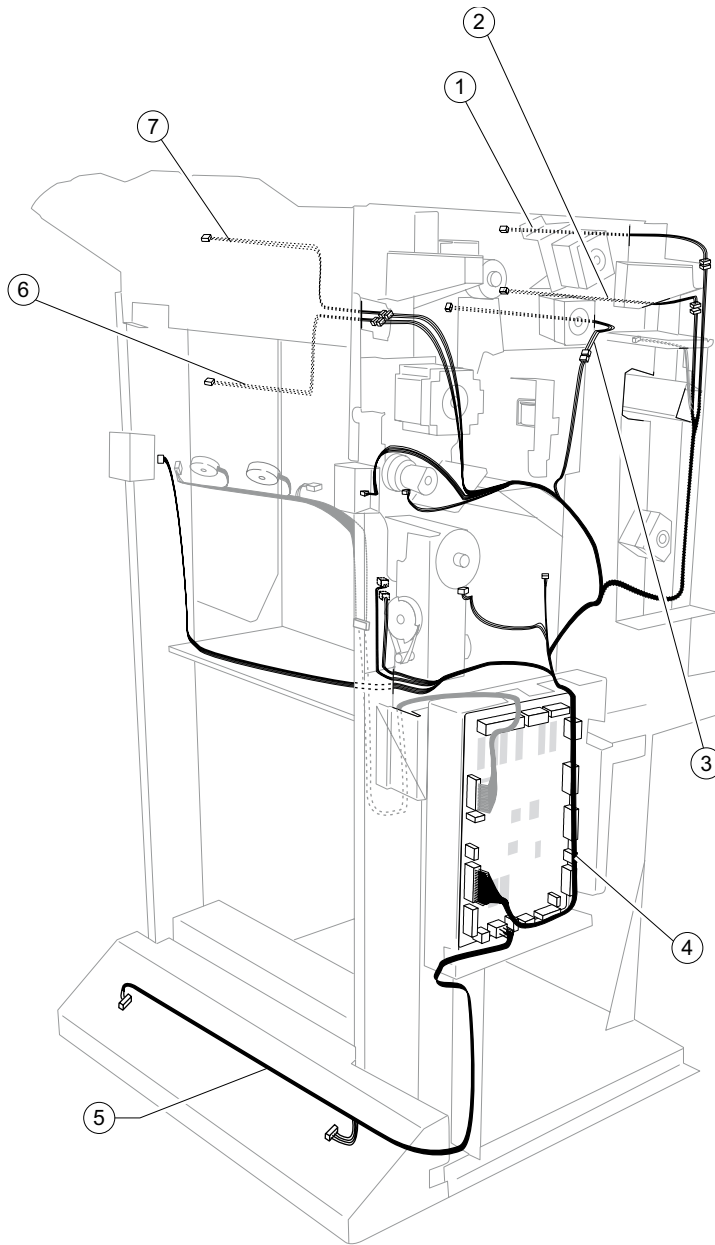
Assembly 14: Electronics



Assembly 14: Electronics

Asm-Index	Part number	Units/option	Units/FRU	Description
14—1	40X0931	1	1	Bridge unit interface card assembly
2	40X0932	1	1	Bridge unit connect cable assembly
3	40X0933	1	1	Bridge unit interface card cable assembly
4	40X0934	1	1	Finisher controller card assembly
5	40X0935	1	1	AC power cord assembly
6	40X0936	1	1	Finisher LVPS card assembly

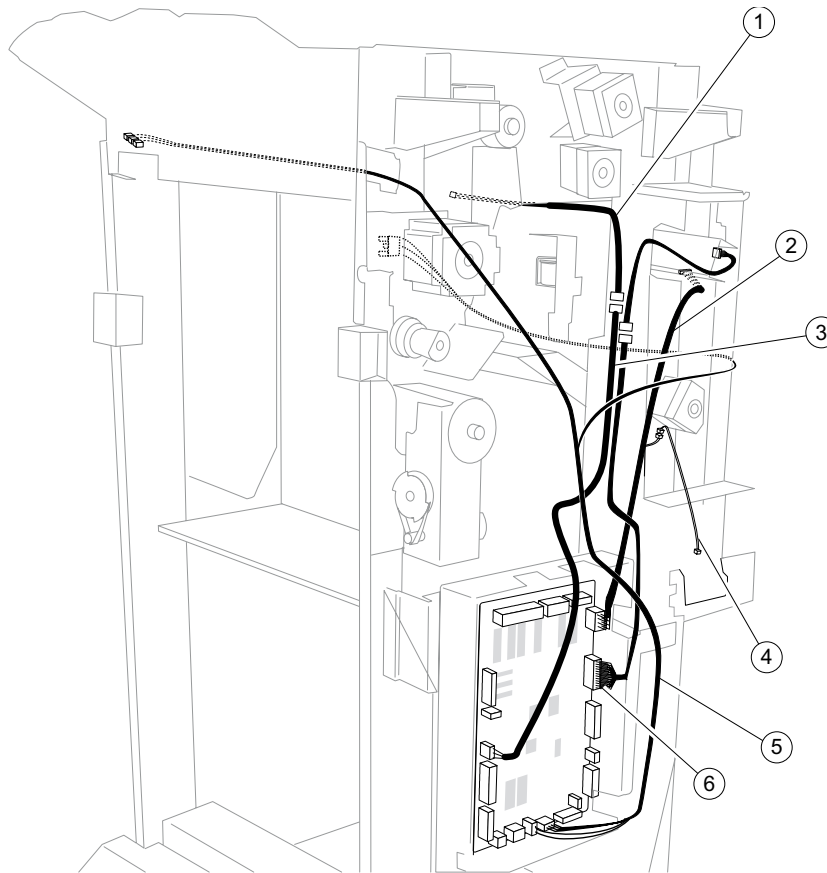
Assembly 15: Cables 1



Assembly 15: Cables 1

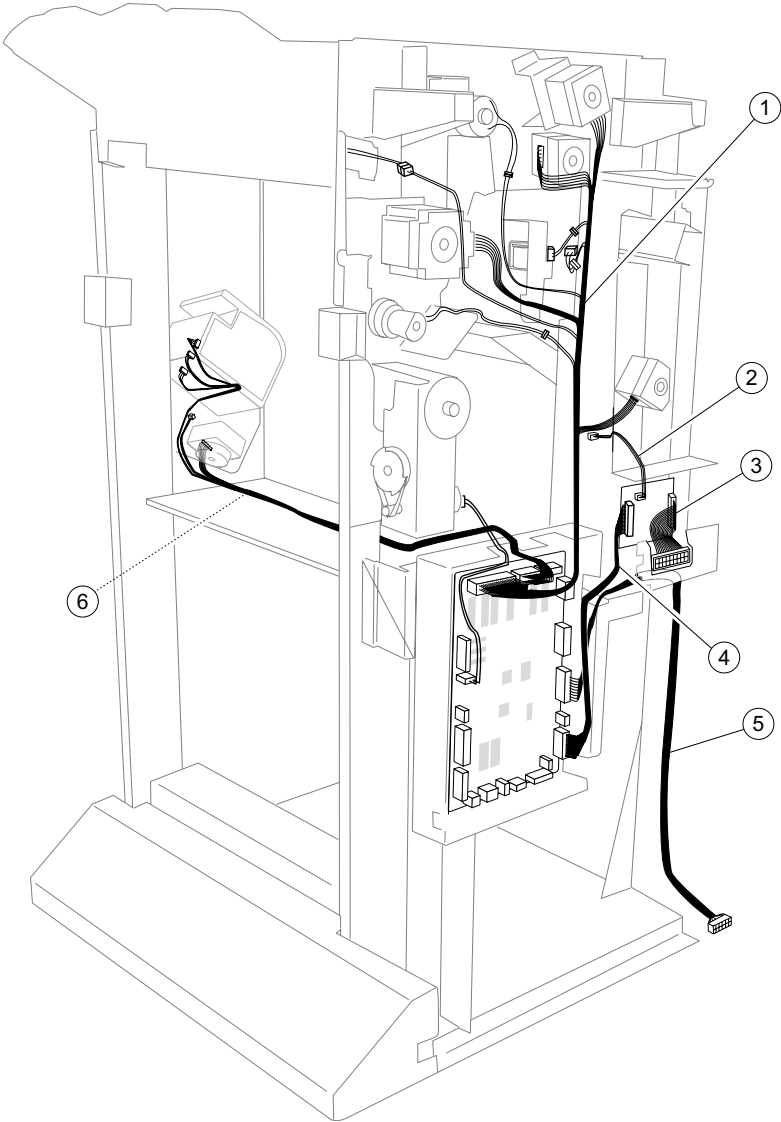
Asm-Index	Part number	Units/option	Units/FRU	Description
15—1	40X0942	1	1	Upper media sensor exit cable assembly
2	40X0940	1	1	Finisher media entrance sensor cable assembly
3	40X0941	1	1	Buffer path sensor cable assembly
4	40X0937	1	1	Main sensor cable assembly
5	40X0946	1	1	LVPS cable assembly
6	40X0892	1	3	Sensor (lower media exit) assembly <ul style="list-style-type: none"> • Sensor (lower media exit) • Lower media exit sensor cable assembly • Bracket
7	40X0943	1	1	Upper media bin full sensor cable assembly

Assembly 16: Cables 2



Asm-Index	Part number	Units/ option	Units/ FRU	Description
16—1	40X0922	1	1	Diverter gate sensor upper cable assembly
2	40X0944	1	1	Punch main drive cable assembly
3	40X0950	1	1	Diverter gate sensor lower cable assembly
4	40X0865	1	1	Punch waste box set cable assembly
5	40X0947	1	1	Interlock switch cable assembly
6	40X0945	1	1	Punch main sensor cable assembly

Assembly 17: Cables 3



Asm-Index	Part number	Units/option	Units/FRU	Description
17—1	40X0938	1	1	Main drive cable assembly
2	40X0930	1	1	Punch waste box full cable assembly
3	40X0932	1	1	Bridge unit connect cable assembly
4	40X0931	1	1	Bridge unit interface card assembly
5	40X0939	1	1	Finisher interface cable assembly
6	40X0870	1	1	Stapler unit cable assembly