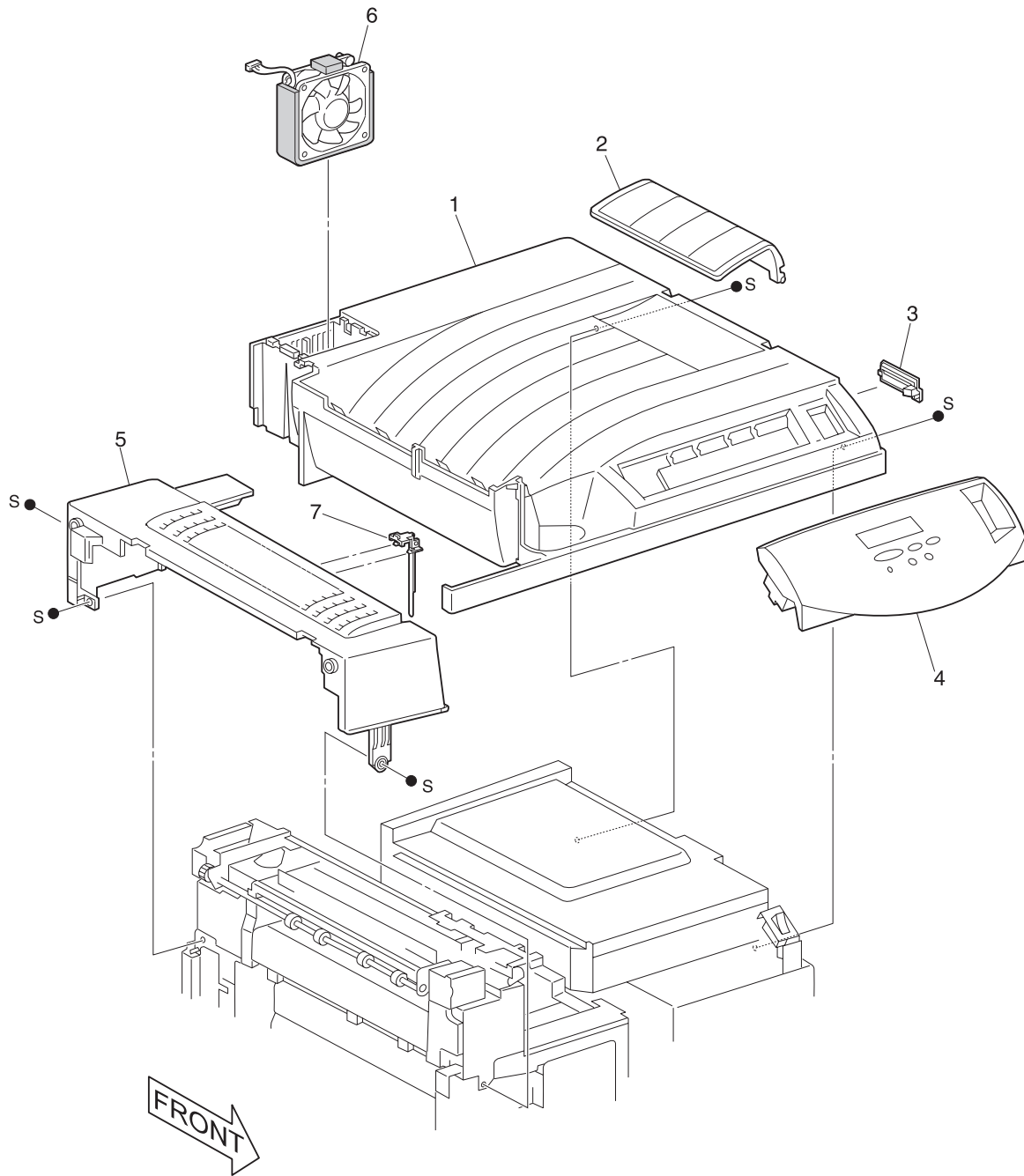


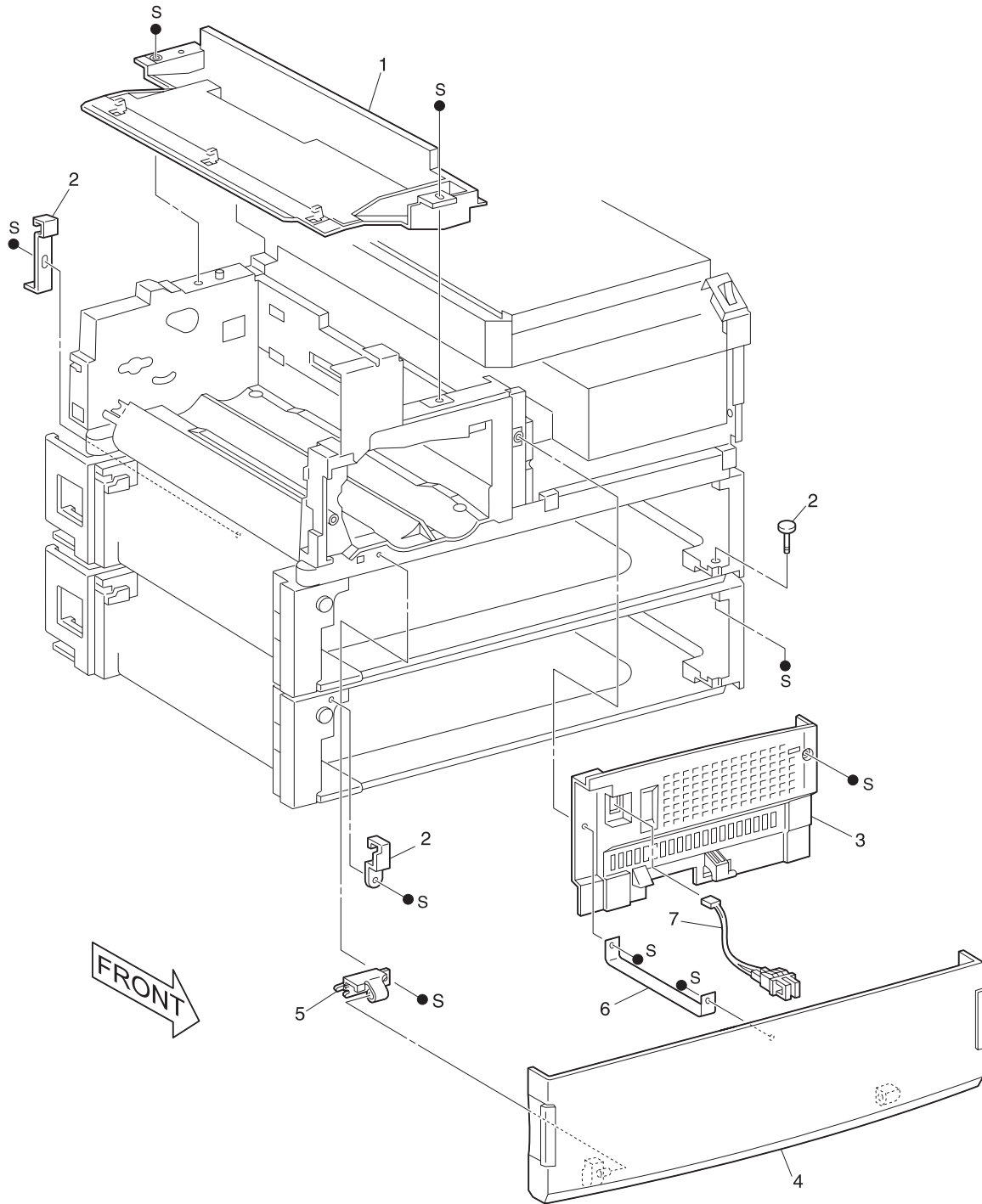
# Assembly 1: Top Cover Assembly



**Assembly 1: Top Cover Assembly**

<b>Asm-Index</b>	<b>Part Number</b>	<b>Units</b>	<b>Description</b>
1-1	12G4000	1	COVER PRINTER, TOP
-2	12G4001	1	STOP, PAPER
-3	12G4002	1	COVER, CONNECTOR
-4	12G4003	1	OP PANEL ASSEMBLY
-5	12G4004	1	COVER, FUSER
-6	12G4005	1	FAN, FUSER
-7	12G4186	1	DAMPER ASM, PAPER

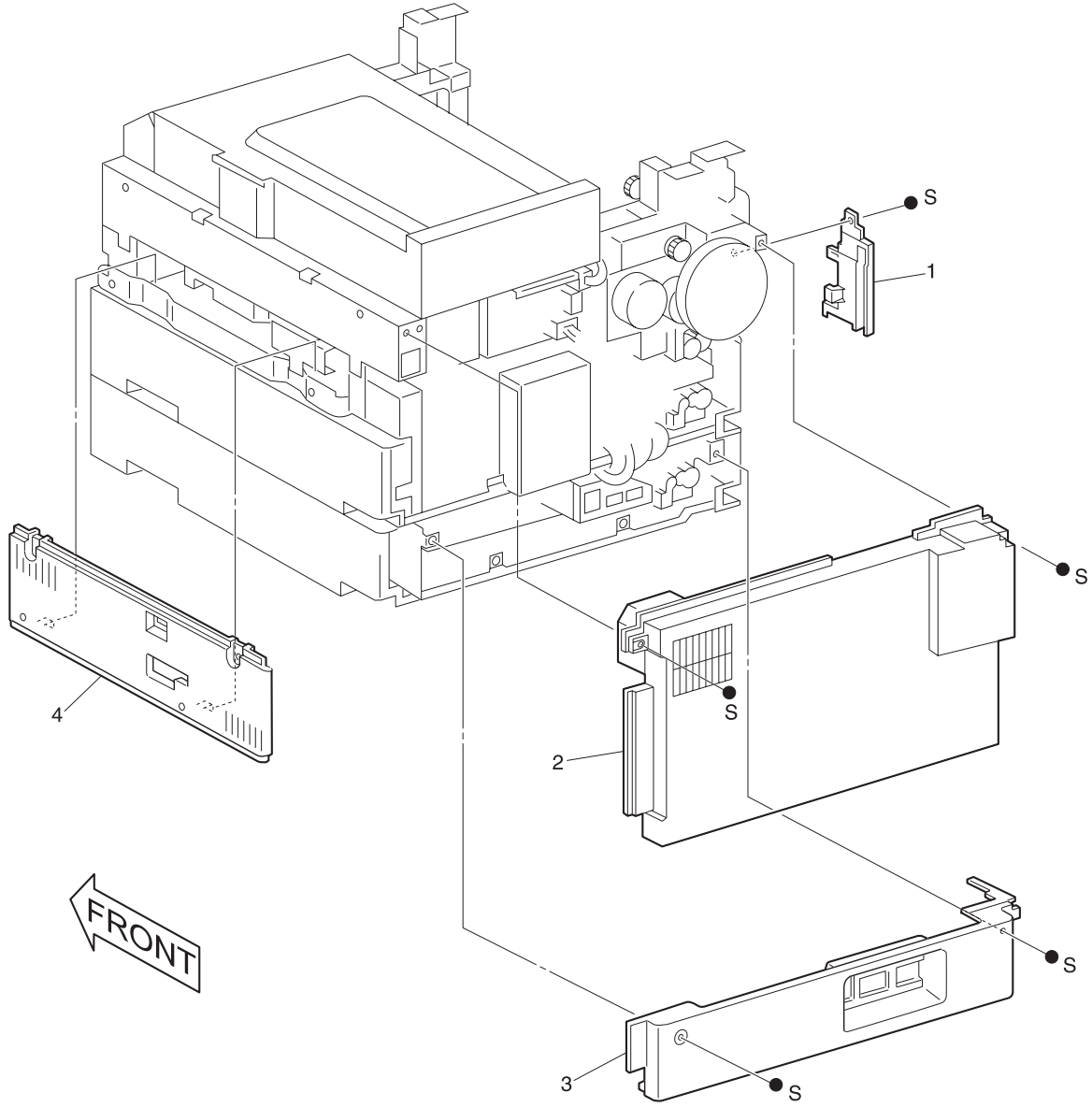
## Assembly 2: Front Cover



**Assembly 2: Front Cover**

<b>Asm-Index</b>	<b>Part Number</b>	<b>Units</b>	<b>Description</b>
2-1	12G4009	1	DUCT, AIR
-2	12G4012	1	KIT,TRAY 2 MOUNTING
-3	12G4008	1	COVER, PRINTER INNER FRONT
-4	12G4006	1	COVER PRINTER, FRONT
-5	12G4007	1	HINGE, COVER
-6	12G4011	1	STRAP, COVER SUPPORT
-7	12G4010	1	SWITCH, INTERLOCK ASSEMBLY

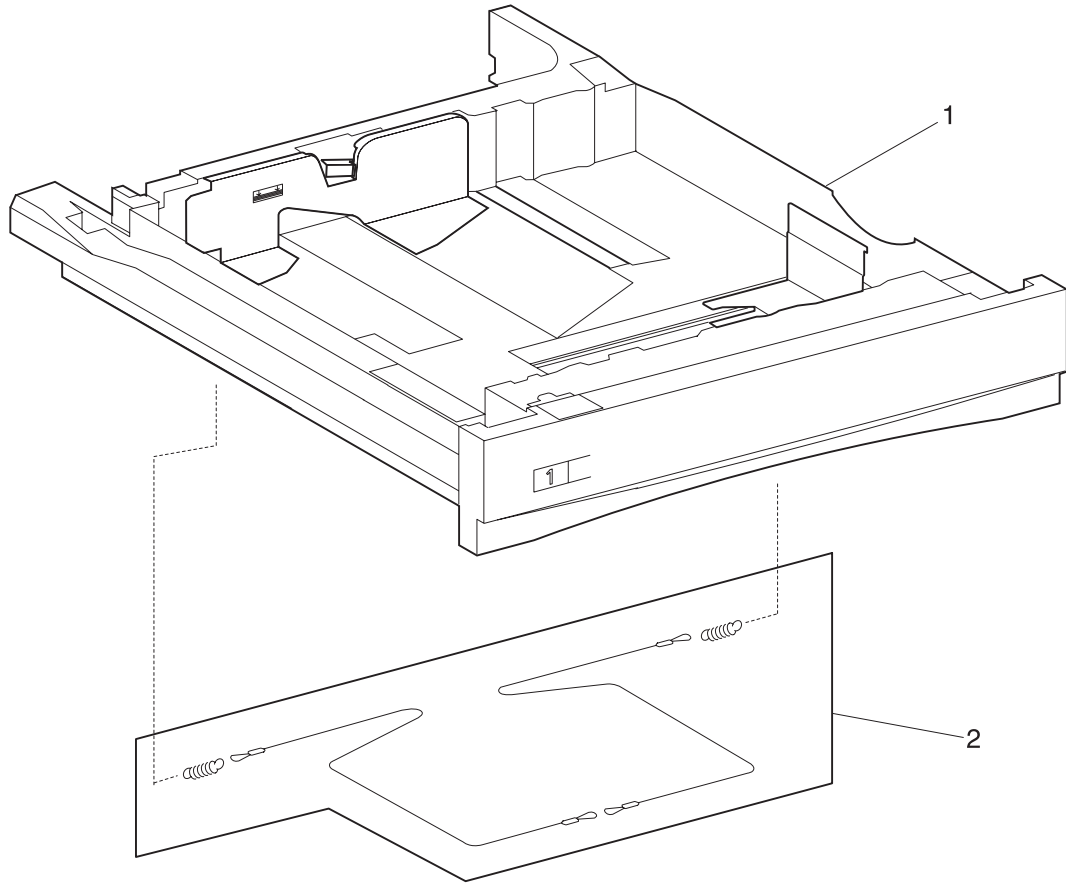
### Assembly 3: Rear, Left, and Right Covers



**Assembly 3: Rear, Left, and Right Covers**

<b>Asm-Index</b>	<b>Part Number</b>	<b>Units</b>	<b>Description</b>
3-1	12G4013	1	COVER, PRINTER INNER LH
-2	12G4015	1	COVER ASM, PRINTER REAR UPPER
-3	12G4016	1	COVER PRINTER, REAR LOWER
-4	12G4014	1	COVER, PRINTER RH

### Assembly 4: Tray Unit - Paper Stack

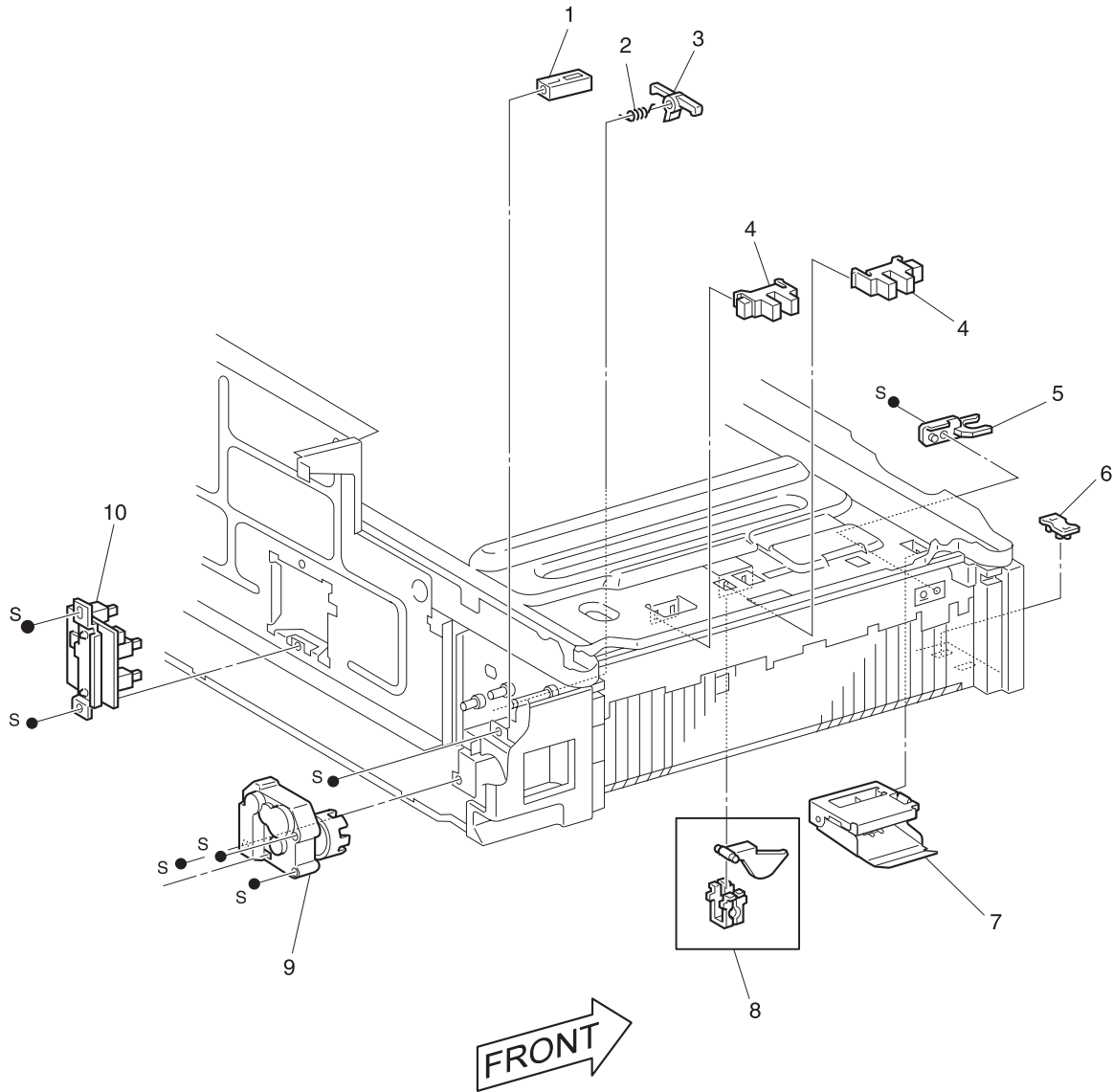


**Assembly 4: Tray Unit - Paper Stack**

<b>Asm-Index</b>	<b>Part Number</b>	<b>Units</b>	<b>Description</b>
4-1	12G4017	1	TRAY ASM, PAPER
2	12G4018	1	KIT, PAPER TRAY CABLES



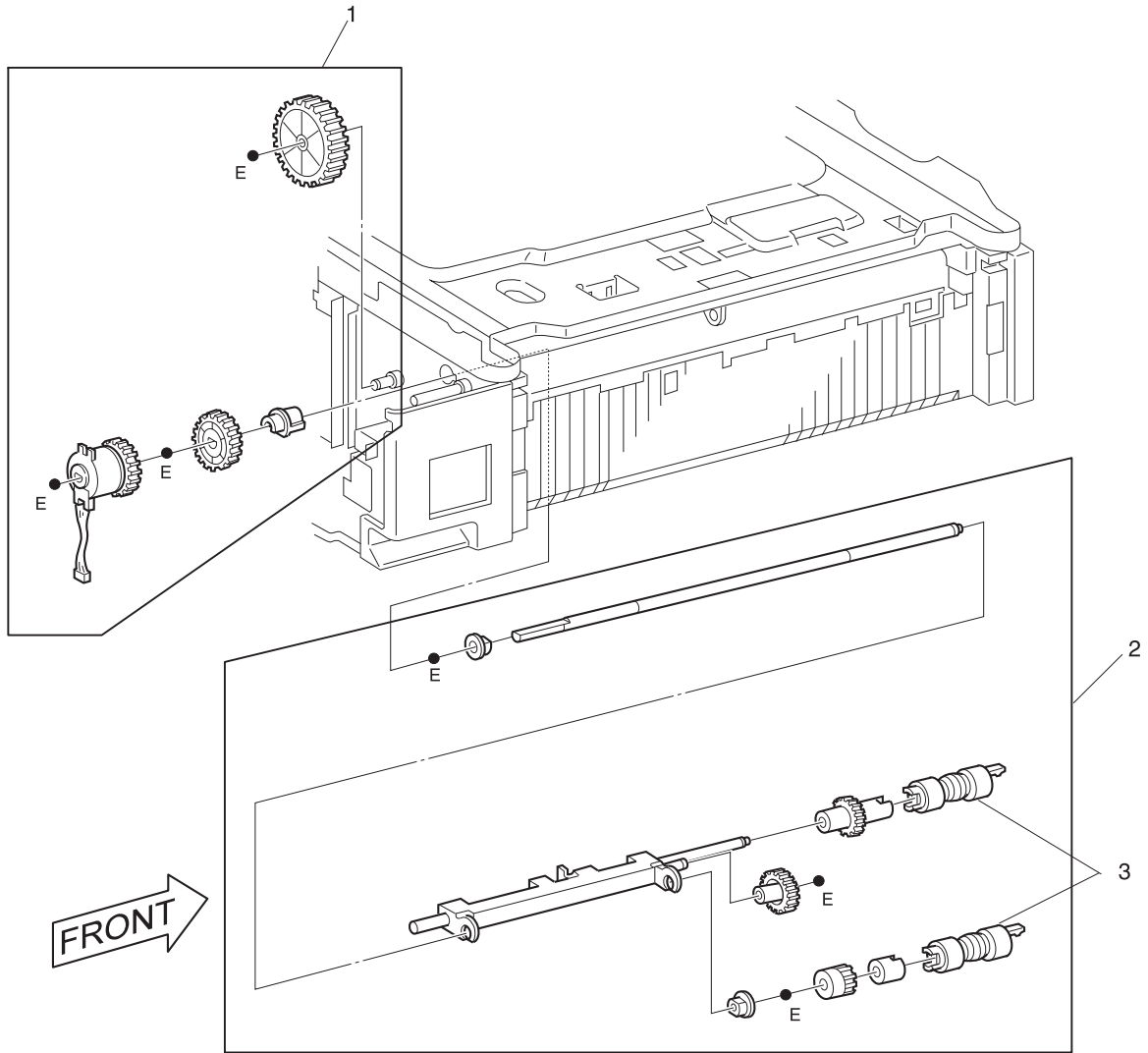
### Assembly 5: Tray Interface



**Assembly 5: Tray Interface**

<b>Asm-Index</b>	<b>Part Number</b>	<b>Units</b>	<b>Description</b>
5-1	12G4024	1	STOP, TRAY R
-2	12G4027	1	SPRING, TORSION
-3	12G4026	1	LINK STOP, TRAY 1
-3	12G4036	1	LINK STOP, TRAY 2
-4	12G4021	1	SENSOR, PHOTO
-5	12G4023	1	STOP, TRAY F
-6	12G4025	1	SPACER, L
-7	12G4022	1	GUIDE, TRAY 1
-7	12G4035	1	GUIDE, TRAY 2
-8	12G4028	1	KIT, SENSOR ACTUATOR
-9	12G4020	1	MOTOR ASM, PAPER TRAY
-10	12G4019	1	SWITCH ASM, PAPER SIZE

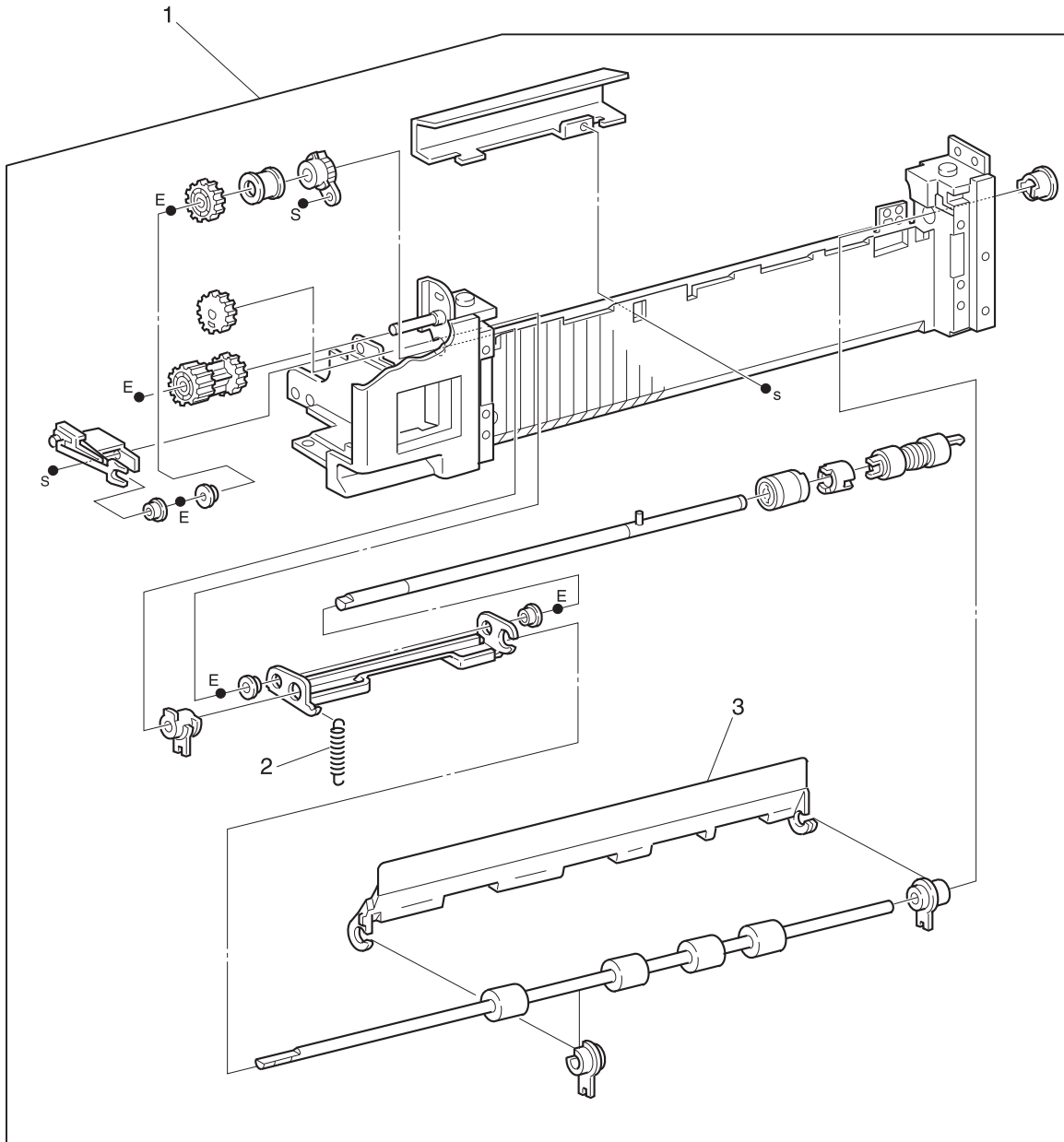
### Assembly 6: Paper Pick Up



**Assembly 6: Paper Pick Up**

<b>Asm-Index</b>	<b>Part Number</b>	<b>Units</b>	<b>Description</b>
6-1	12G4030	1	KIT, TRAY 1 CLUTCH
-1	12G4037	1	KIT, TRAY 2 CLUTCH
-2	12G4029	1	FEEDER ASM PAPER
-3	12G4031	6	KIT, FEED ROLL (Qty 6)

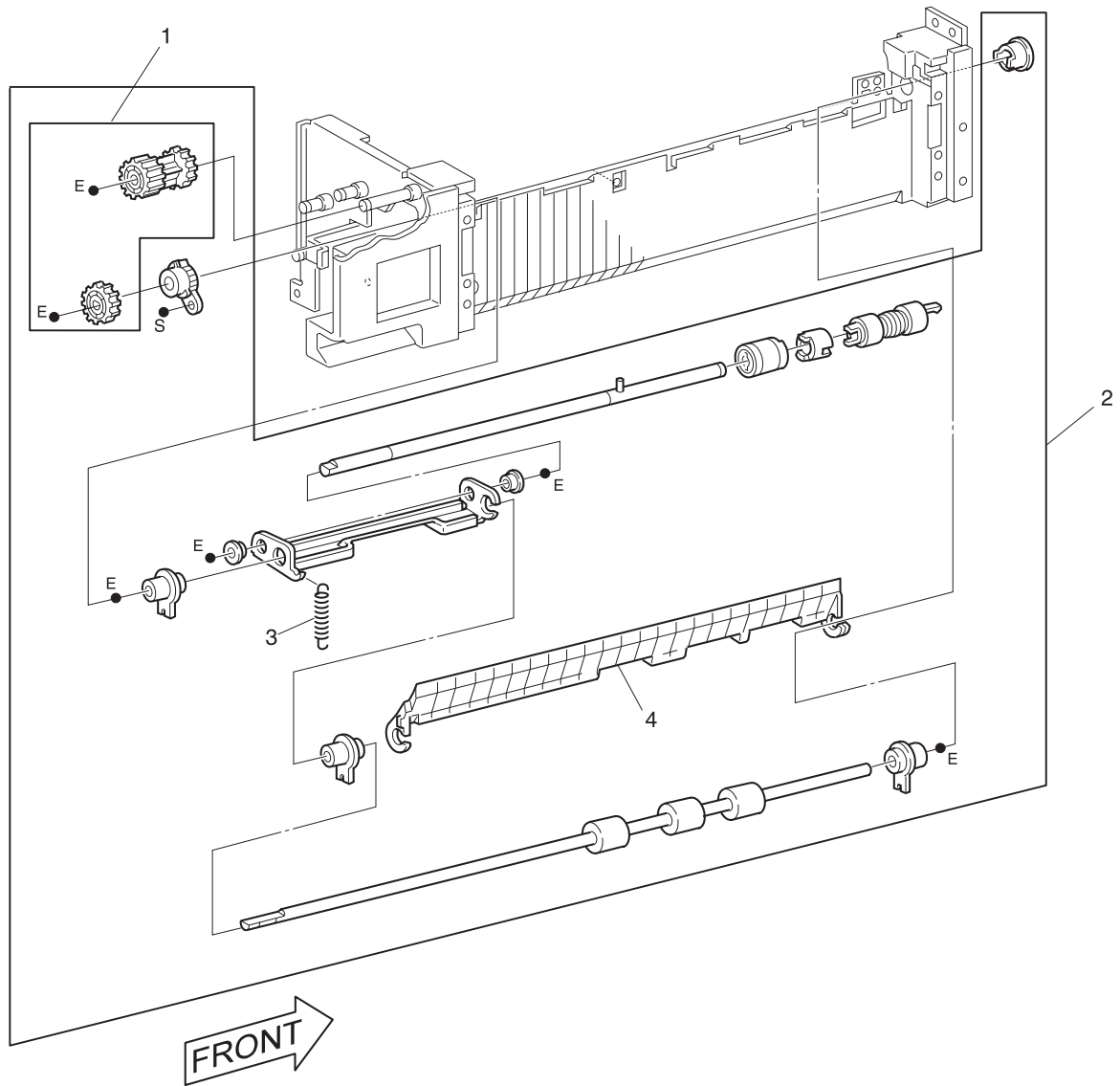
### Assembly 7: Retard and Take Away - Tray 1



**Assembly 7: Retard and Take Away - Tray 1**

<b>Asm-Index</b>	<b>Part Number</b>	<b>Units</b>	<b>Description</b>
7-1	12G4034	1	EXIT ASM, HIGH PAPER RETARD
-2	12G4033	1	SPRING, EXTENSION
-3	12G4032	1	GUIDE, PAPER FEED OUT

### Assembly 8: Retard and Take Away - Tray 2

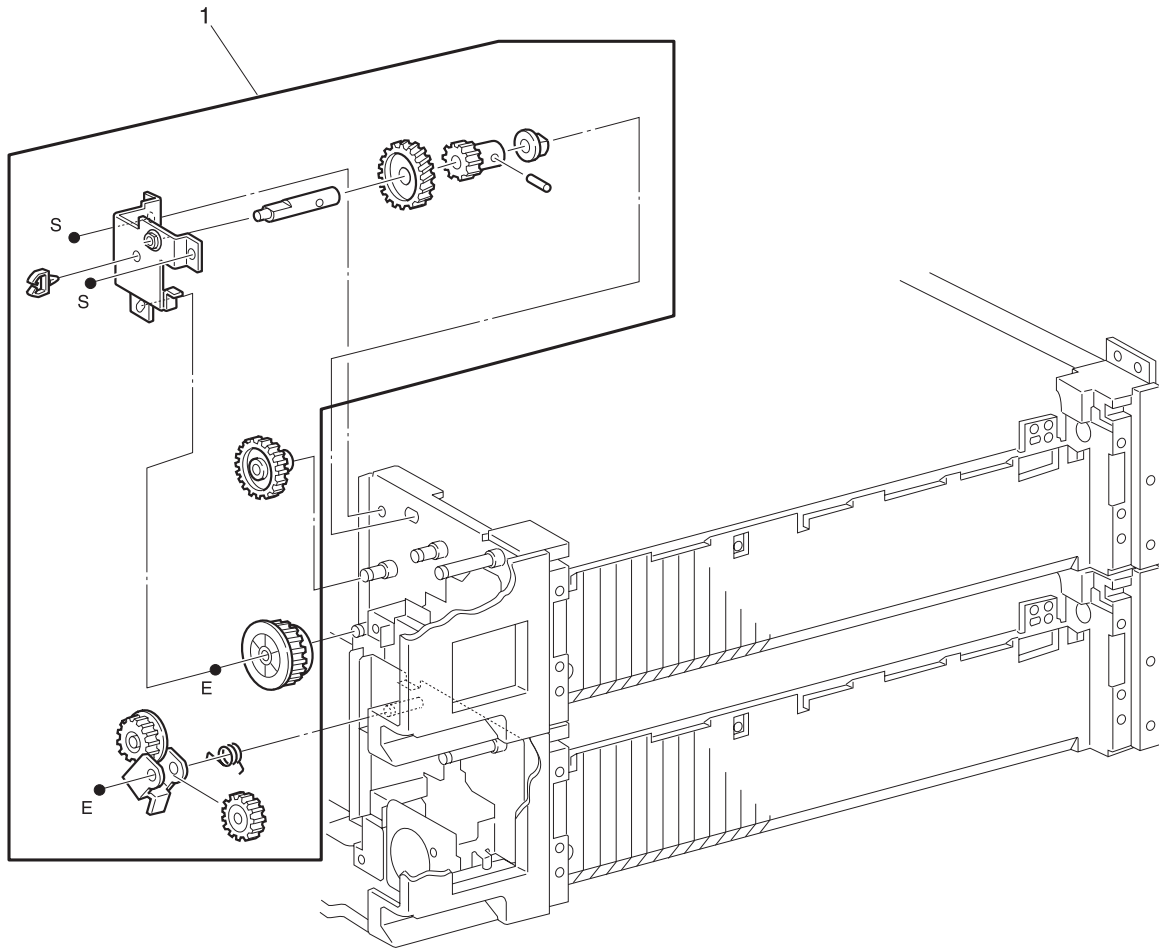


**Assembly 8: Retard and Take Away - Tray 2**

<b>Asm-Index</b>	<b>Part Number</b>	<b>Units</b>	<b>Description</b>
8-1	12G4040	1	KIT, TRAY 2 EXIT GEAR
-2	12G4039	1	EXIT ASM, TRAY 2 PAPER
-3	12G4033	1	SPRING
-4	12G4038	1	GUIDE, PAPER EXIT



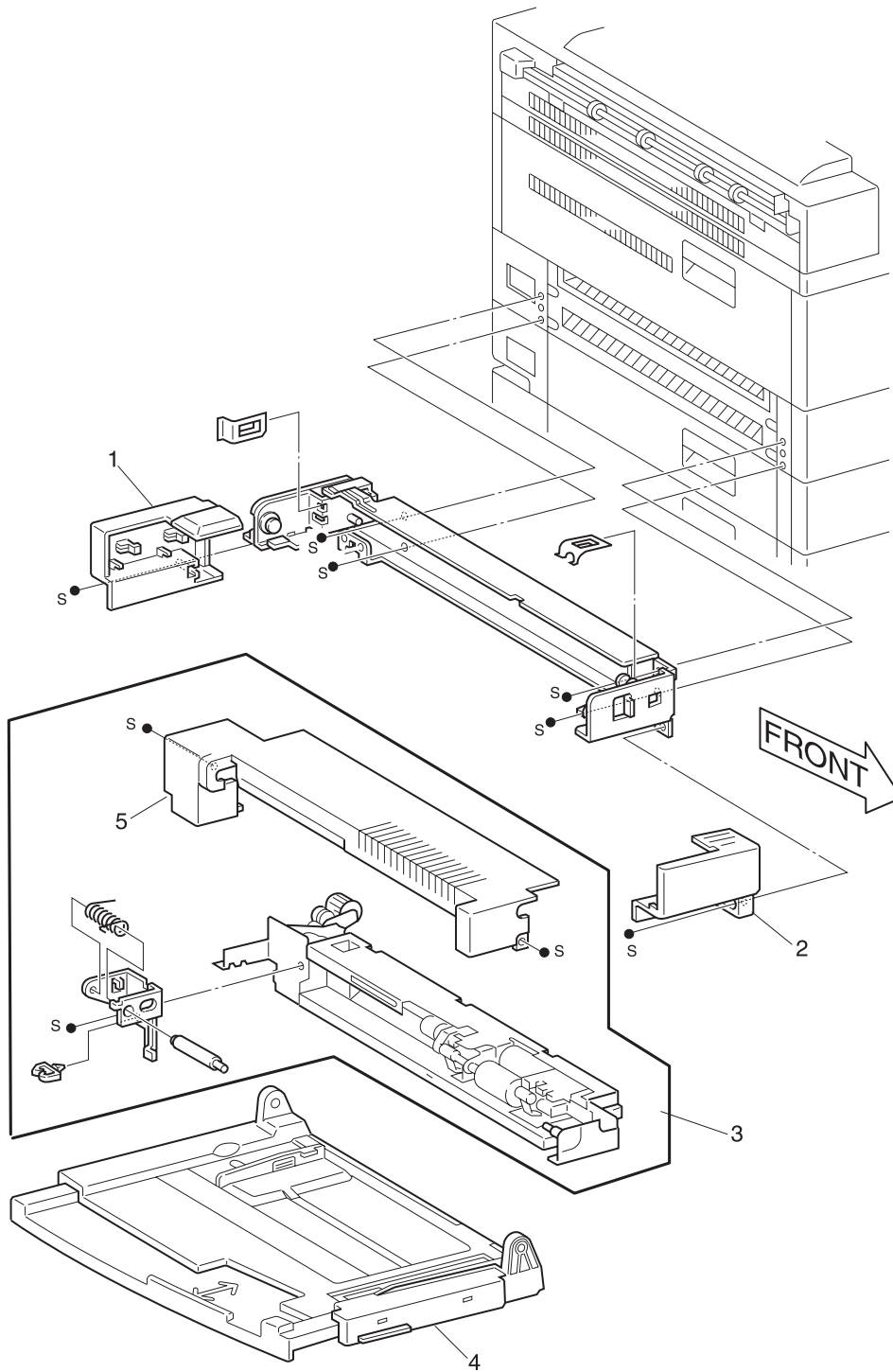
### Assembly 9: Feed Drive Transmission



**Assembly 9: Feed Drive Transmission**

<b>Asm-Index</b>	<b>Part Number</b>	<b>Units</b>	<b>Description</b>
9-1	12G4041	1	KIT, FEED DRIVE REPAIR

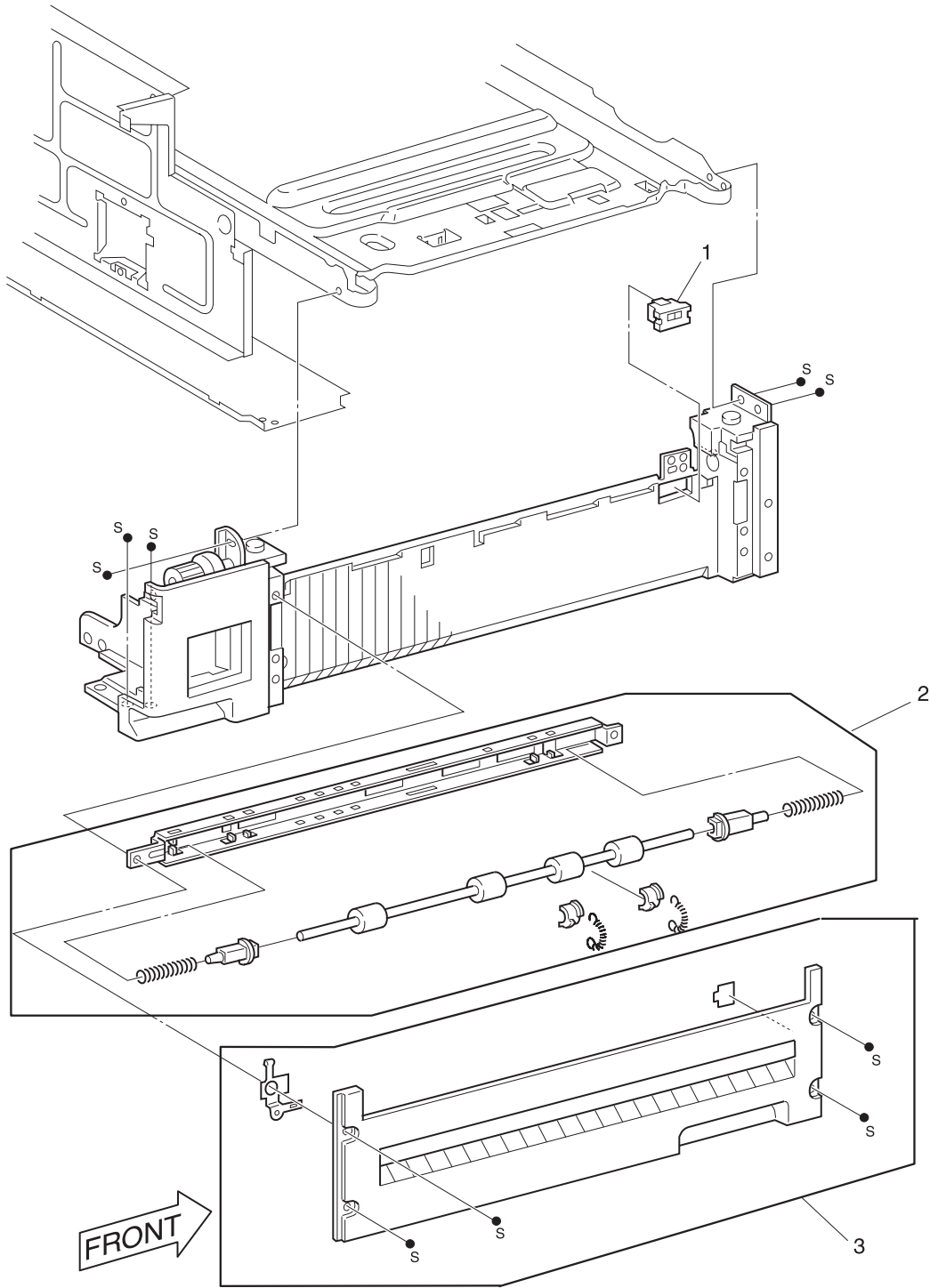
# Assembly 10: Multi Purpose Feeder and MPF/Duplex Support



**Assembly 10: Multi Purpose Feeder and MPF/Duplex Support**

<b>Asm-Index</b>	<b>Part Number</b>	<b>Units</b>	<b>Description</b>
10-1	12G4043	1	COVER, MP FEEDER REAR
-2	12G4042	1	COVER, MP FEEDER FRONT
-3	12G4044	1	FEEDER, MP FEEDER
-4	12G4046	1	TRAY ASM, MP FEEDER
-5	12G4045	1	COVER, MP FEEDER TOP

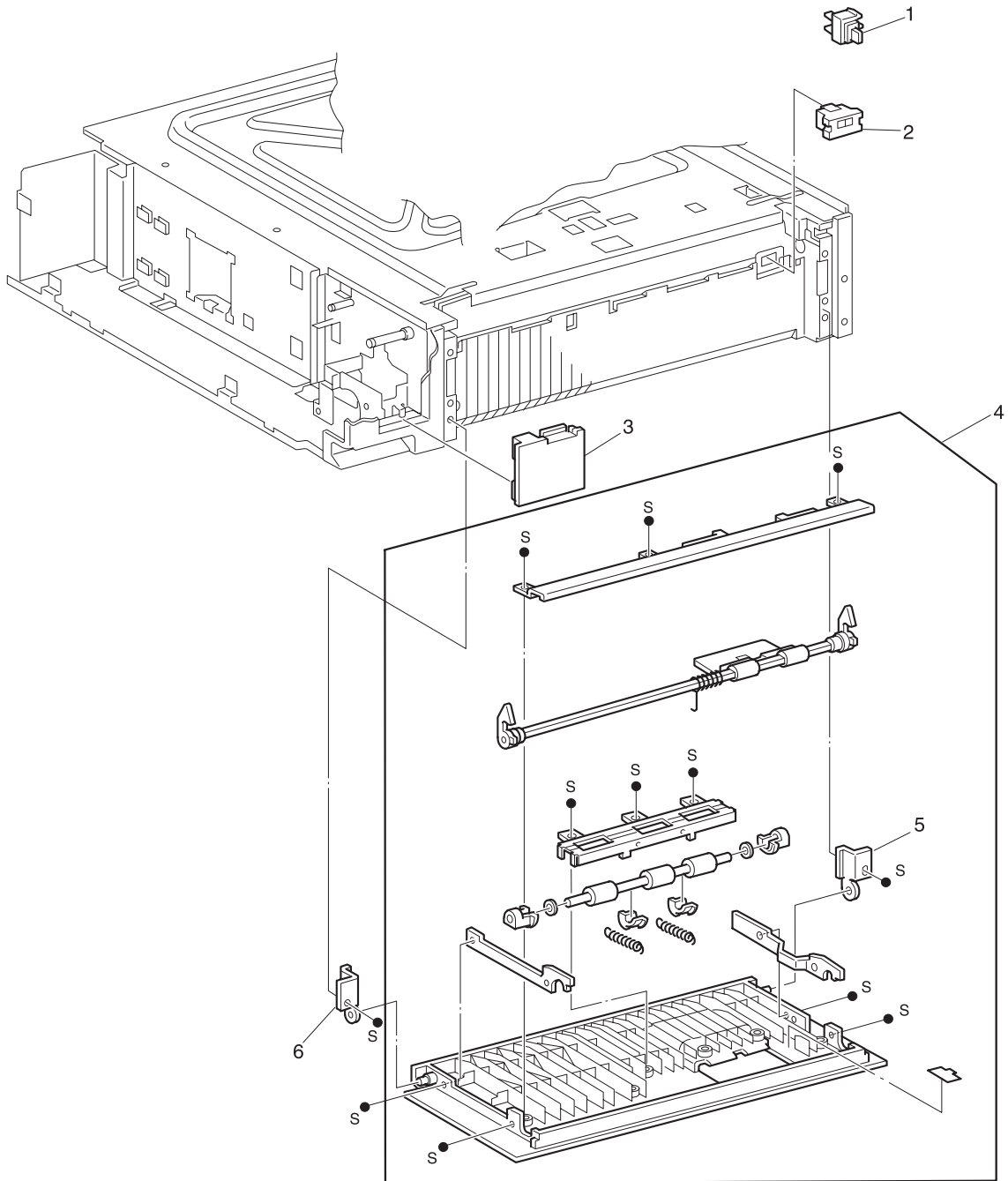
### Assembly 11: Tray 1 Frame and Left Cover



**Assembly 11: Tray 1 Frame and Left Cover**

<b>Asm-Index</b>	<b>Part Number</b>	<b>Units</b>	<b>Description</b>
11-1	12G4049	1	SENSOR, PHOTO
-2	12G4047	1	ROLLER ASM, PINCH
-3	12G4048	1	COVER ASM, PRINTER LOWER LEFT

### Assembly 12: Tray 2 Frame and Left Cover

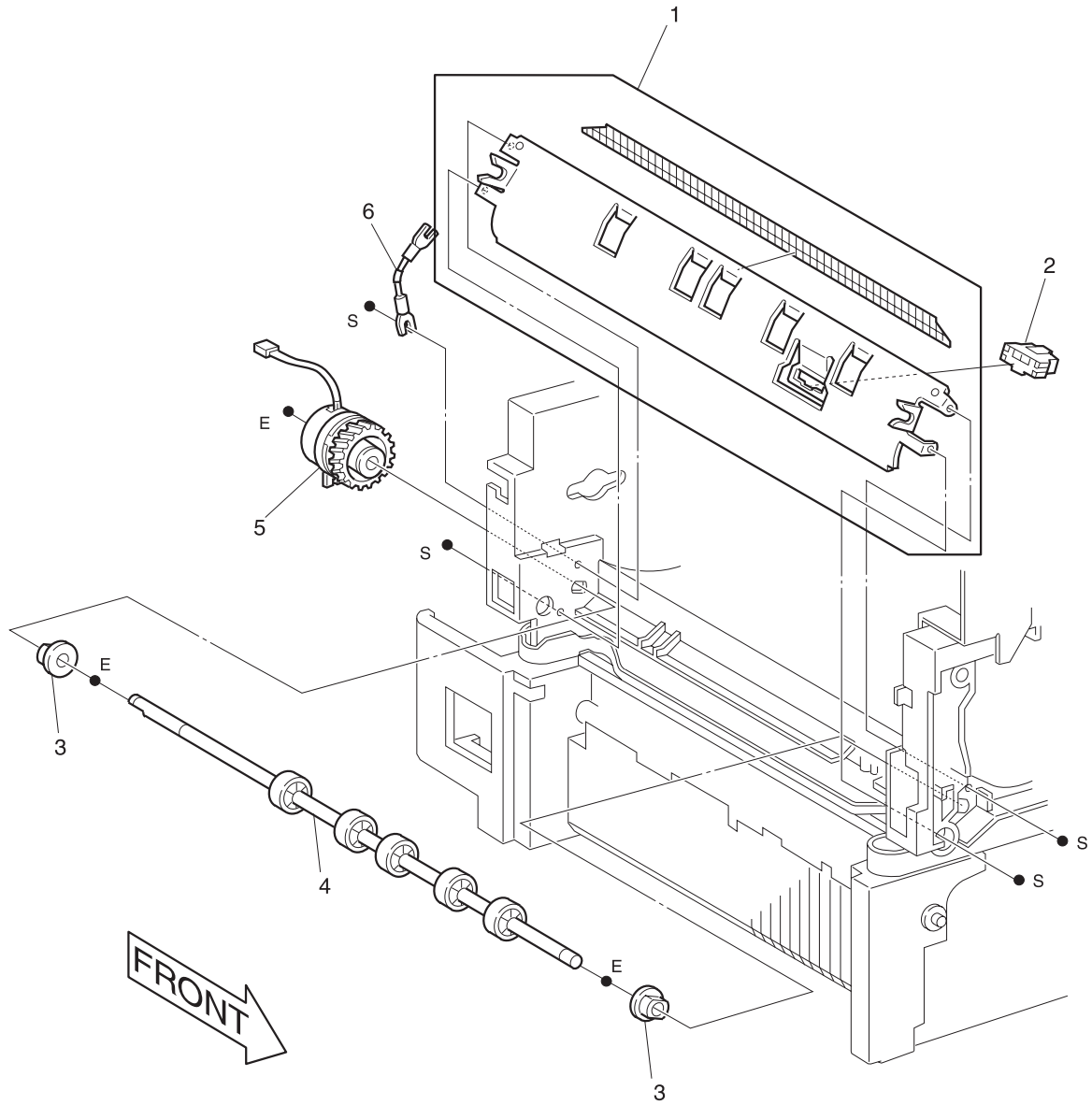


**Assembly 12: Tray 2 Frame and Left Cover**

<b>Asm-Index</b>	<b>Part Number</b>	<b>Units</b>	<b>Description</b>
12-1	12G4053	1	SWITCH, INTERLOCK
-2	12G4049	1	SENSOR
-3	12G4054	1	COVER, CAP
-4	12G4050	1	COVER ASM, PRINTER LEFT
-5	12G4051	1	HINGE, COVER RH
-6	12G4052	1	HINGE, COVER LH



# Assembly 13: Registration



**Assembly 13: Registration**

<b>Asm-Index</b>	<b>Part Number</b>	<b>Units</b>	<b>Description</b>
13-1	12G4057	1	GUIDE, REGISTRATION
-2	12G4049	1	SENSOR
-3	12G4059	1	KIT, BEARING
-4	12G4056	1	ROLLER ASM, REGISTRATION
-5	12G4055	1	CLUTCH ASM, REGISTRATION
-6	12G4058	1	CABLE, REGISTRATION

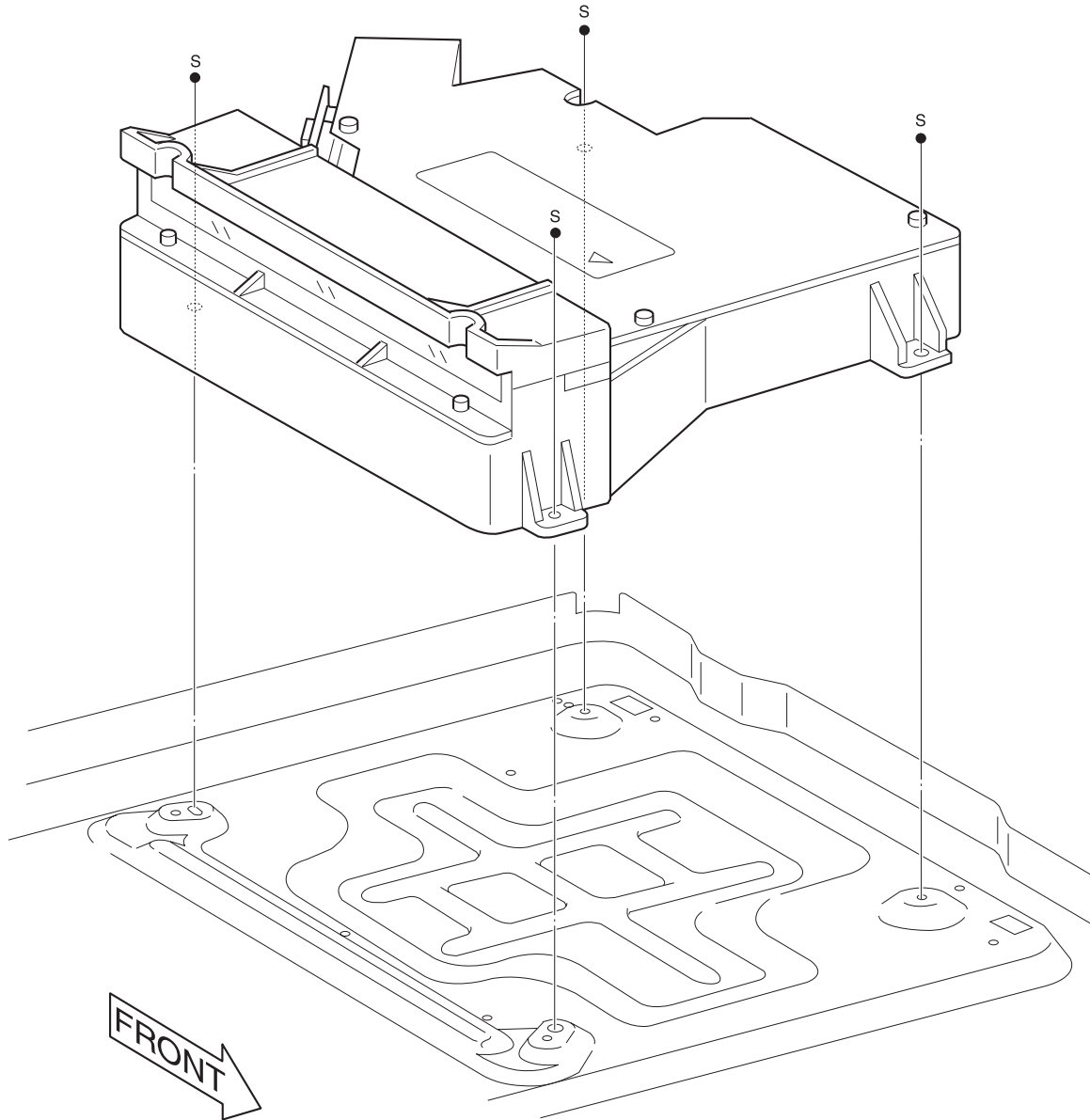


**Assembly 14: Left Upper Cover Assembly**

<b>Asm-Index</b>	<b>Part Number</b>	<b>Units</b>	<b>Description</b>
14-1	12G4060	1	COVER ASM, PRINTER UPPER LEFT

# Assembly 15: Printhead Assembly

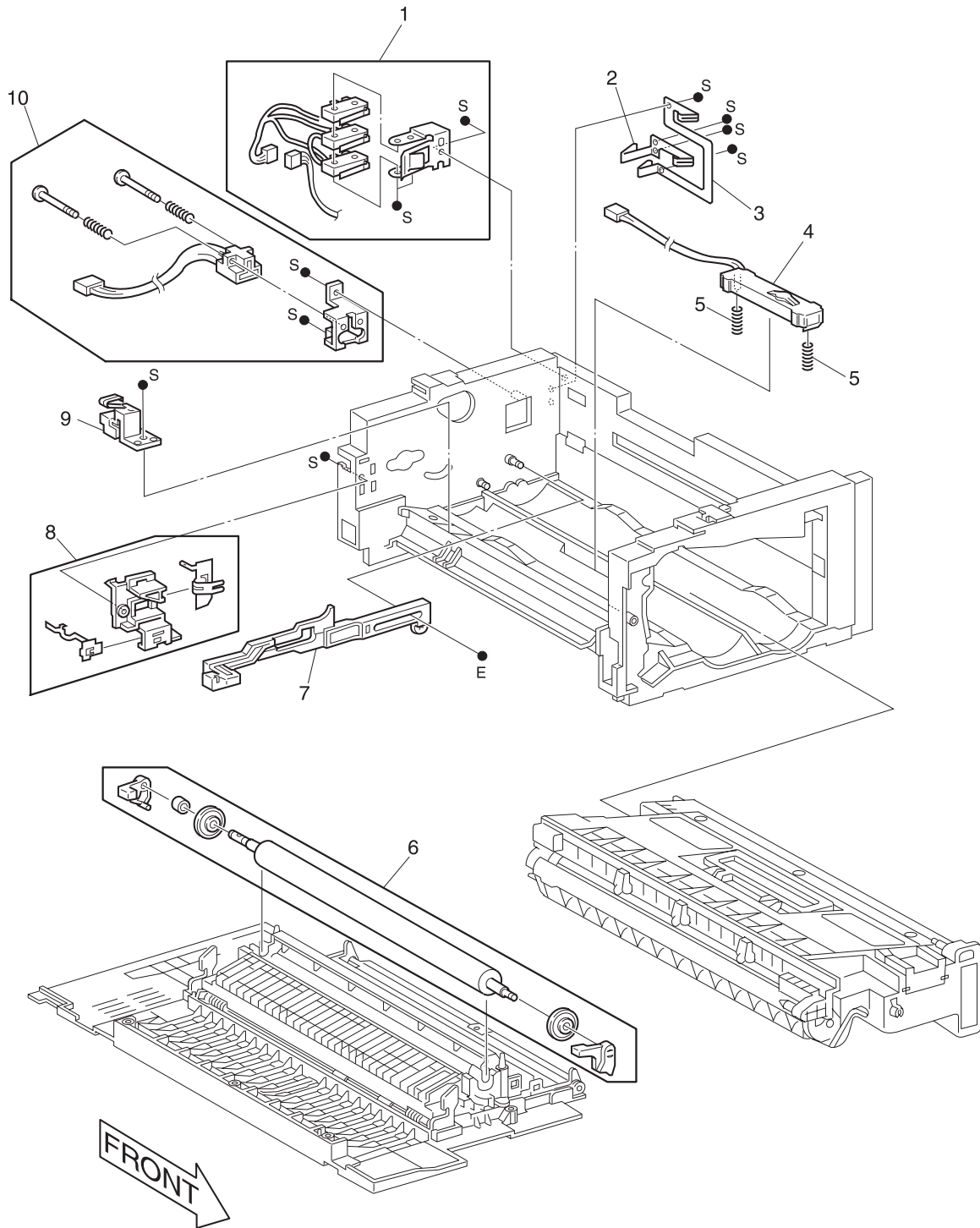
1



**Assembly 15: Printhead Assembly**

<b>Asm-Index</b>	<b>Part Number</b>	<b>Units</b>	<b>Description</b>
15-1	12G4061	1	PRINthead

# Assembly 16: Xerography and Development

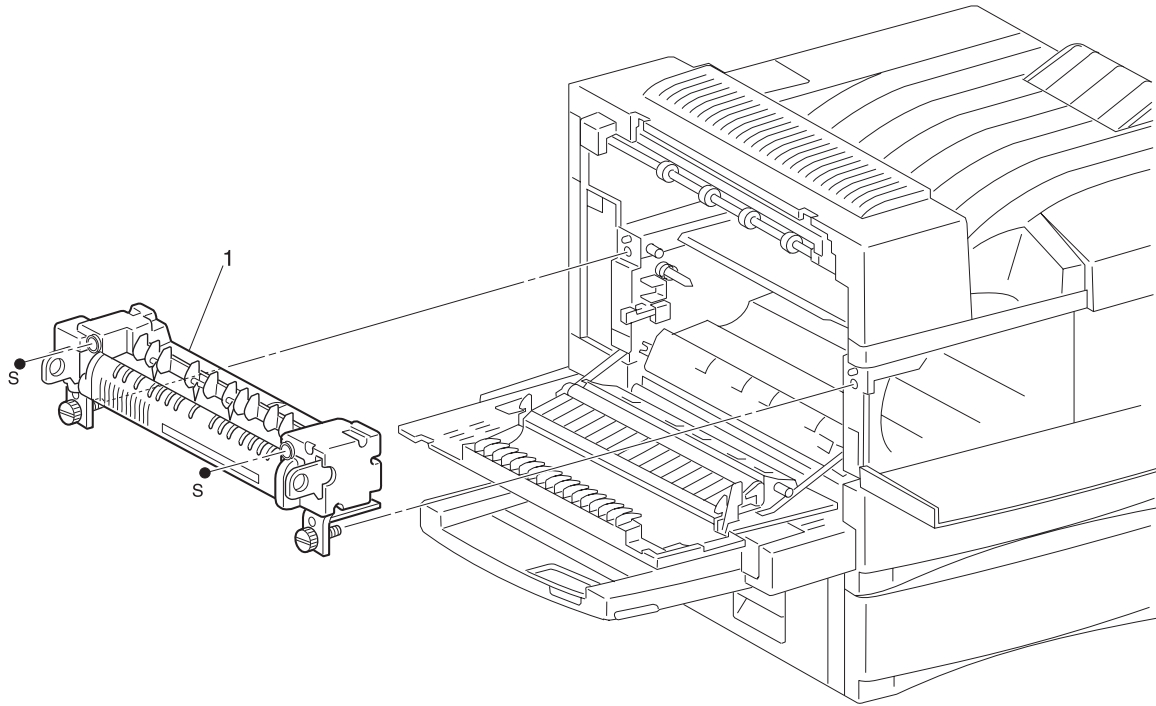


**Assembly 16: Xerography and Development**

<b>Asm-Index</b>	<b>Part Number</b>	<b>Units</b>	<b>Description</b>
16-1	12G4069	1	SWITCH ASM, INTERLOCK
-2	12G4071	1	PLATE, CONTACT D
-3	12G4070	1	PLATE, CONTACT C
-4	12G4065	1	SENSOR ASM, TONER
-5	12G4066	1	SPRING, SENSOR
-6	12G4062	1	ROLLER, TRANSFER
-7	12G4064	1	SLIDER, EXIT
-8	12G4063	1	CONTACT ASM, TRANSFER ROLLER
-9	12G4068	1	BRACKET, CABLE
-10	12G4067	1	CONTACT ASM, CARTRIDGE



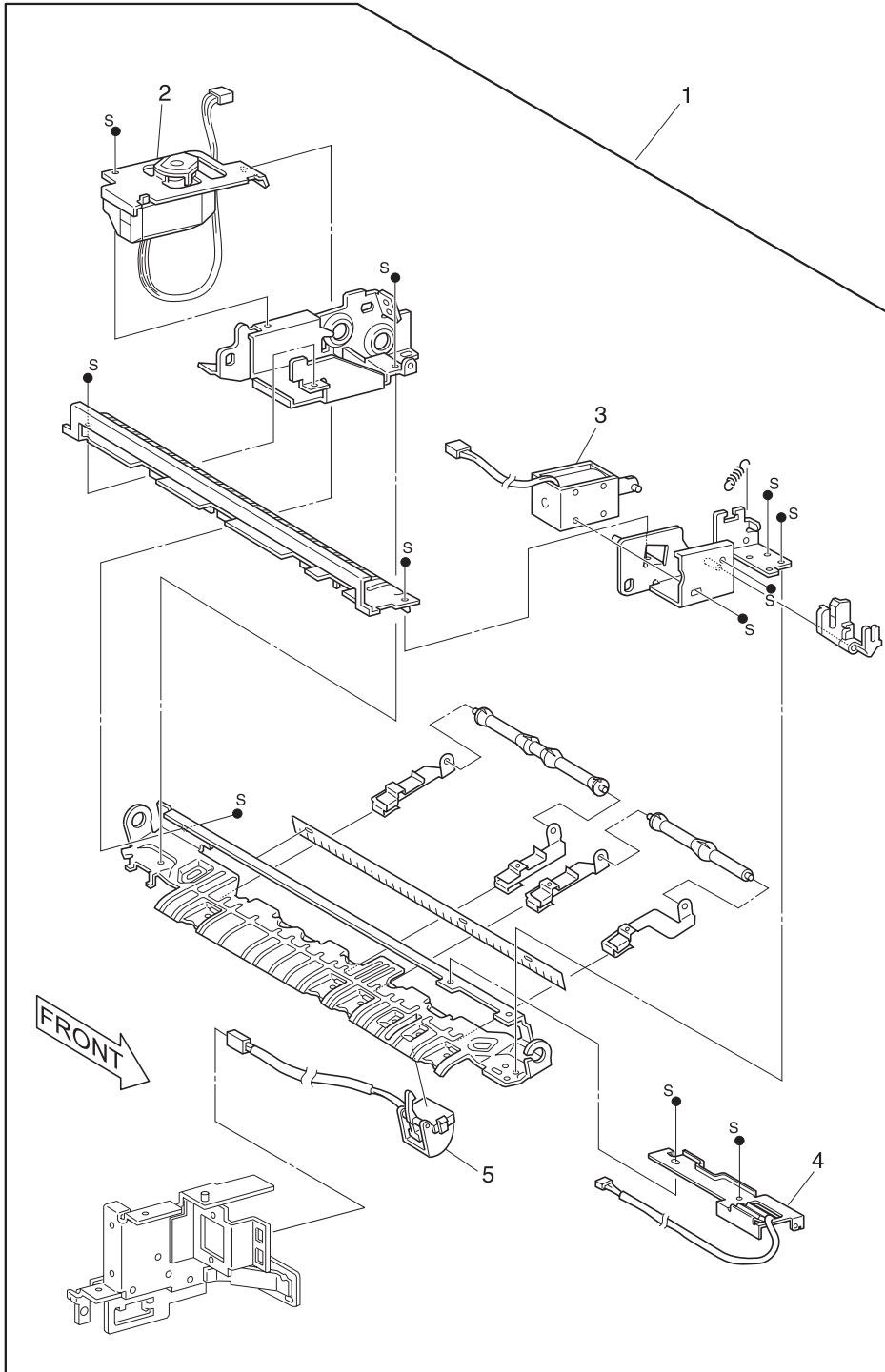
## Assembly 17: Fuser Assembly



**Assembly 17: Fuser Assembly**

<b>Asm-Index</b>	<b>Part Number</b>	<b>Units</b>	<b>Description</b>
17-1	12G4184	1	FUSER ASM, LV
-1	12G4185	1	FUSER ASM, HV

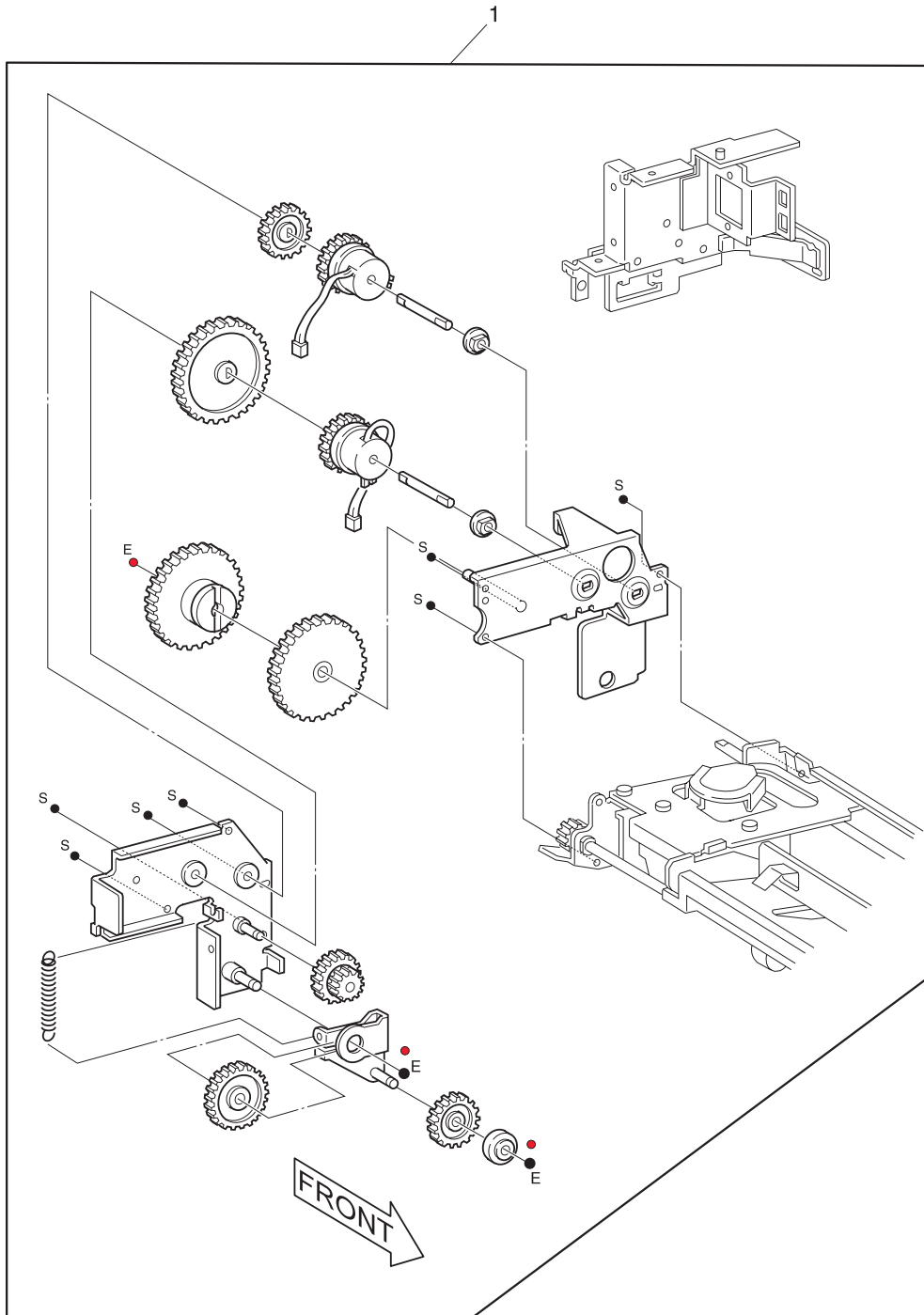
### Assembly 18: Exit Lower Chute



**Assembly 18: Exit Lower Chute**

<b>Asm-Index</b>	<b>Part Number</b>	<b>Units</b>	<b>Description</b>
18-1	12G4072	1	TRANSPORT ASSEMBLY
-2	12G4074	1	MOTOR ASM, OFFSET
-3	12G4073	1	SOLENOID ASM, EXIT LOWER
-4	12G4076	1	SENSOR ASM, EXIT LOWER
-5	12G4075	1	SWITCH ASM, EXIT LOWER

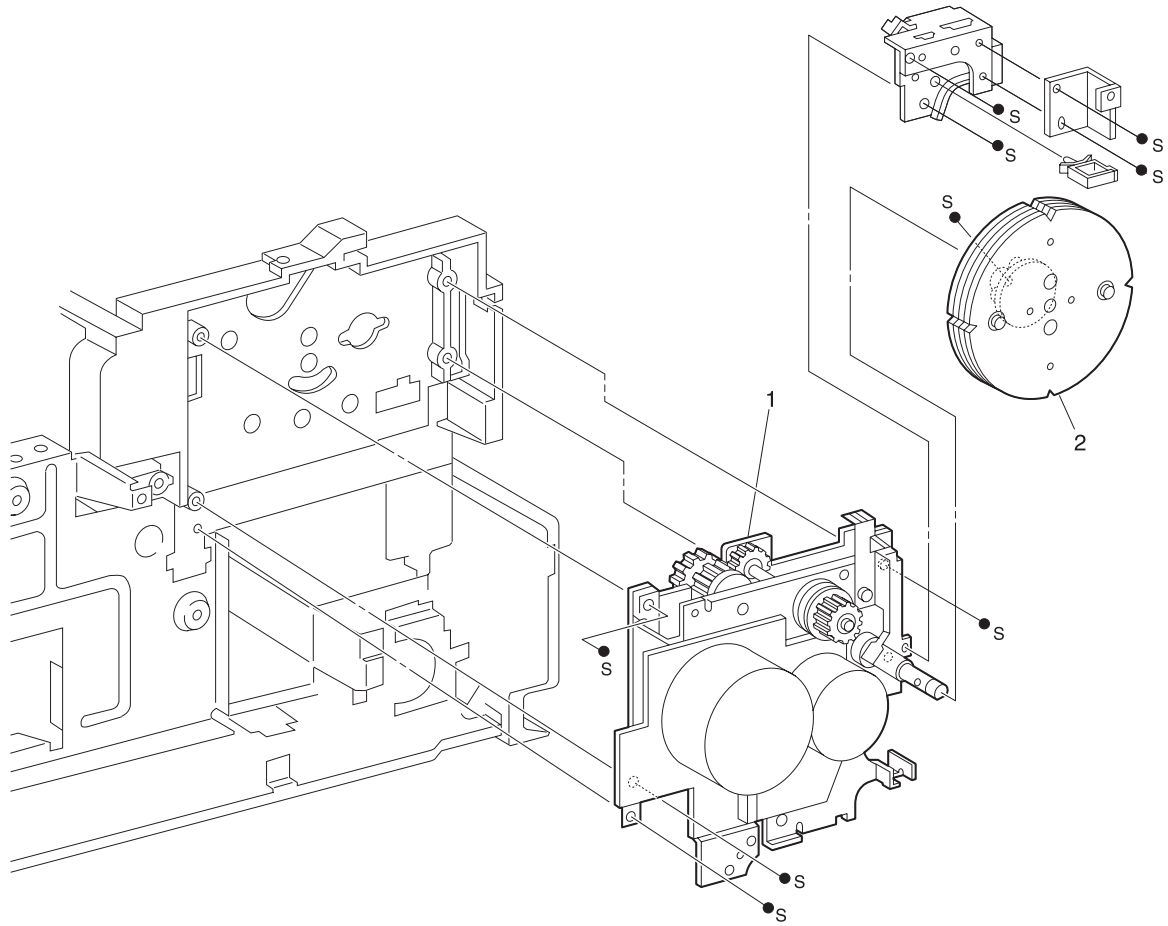
# Assembly 19: Exit Drive Assembly



**Assembly 19: Exit Drive Assembly**

<b>Asm-Index</b>	<b>Part Number</b>	<b>Units</b>	<b>Description</b>
19-1	12G4077	1	DRIVE ASM, EXIT

## Assembly 20: Main Drive Assembly

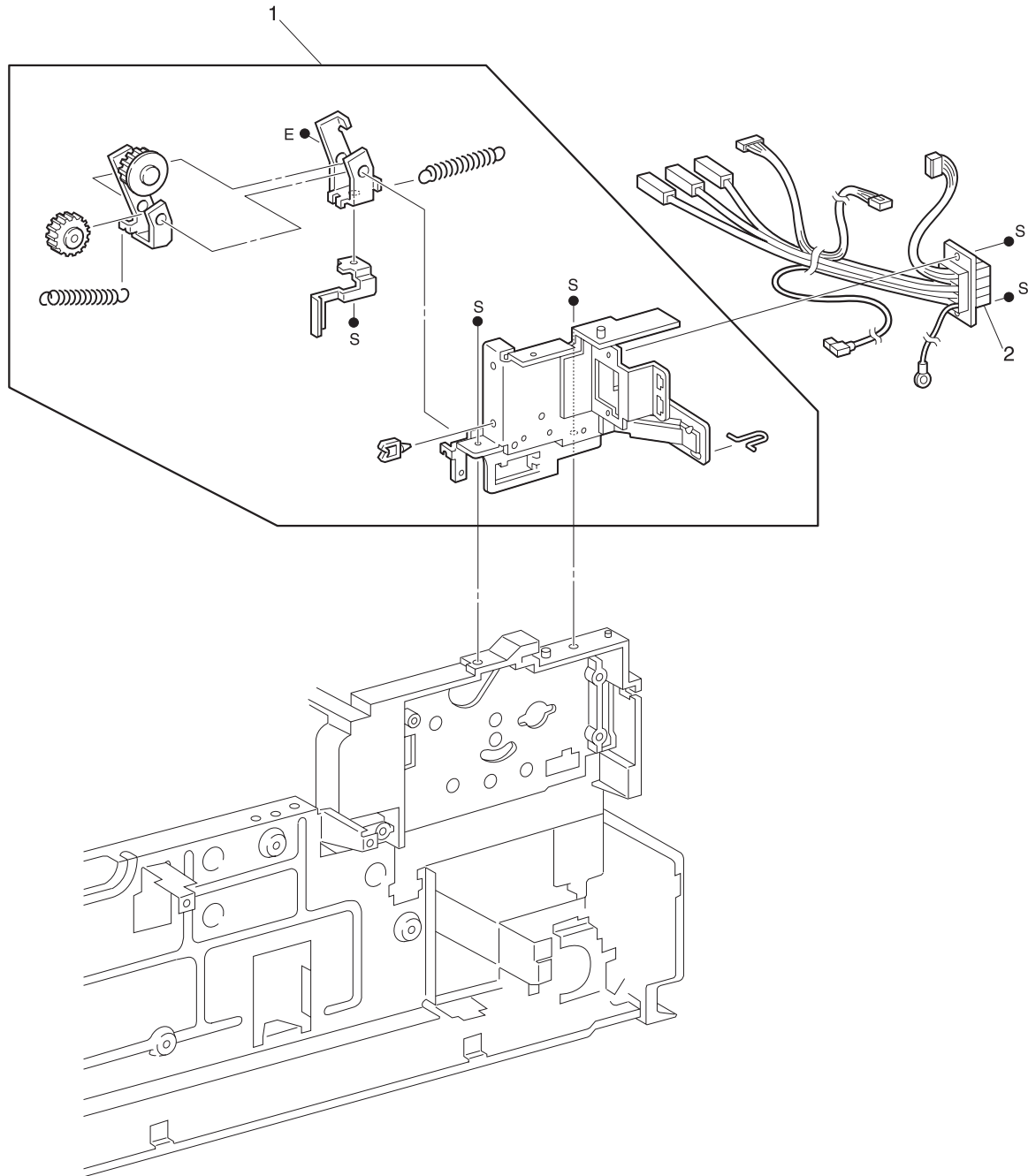


**Assembly 20: Main Drive Assembly**

<b>Asm-Index</b>	<b>Part Number</b>	<b>Units</b>	<b>Description</b>
20-1	12G4078	1	DRIVE ASM, MAIN
-2	12G4079	1	FLYWHEEL, MAIN DRIVE ASM



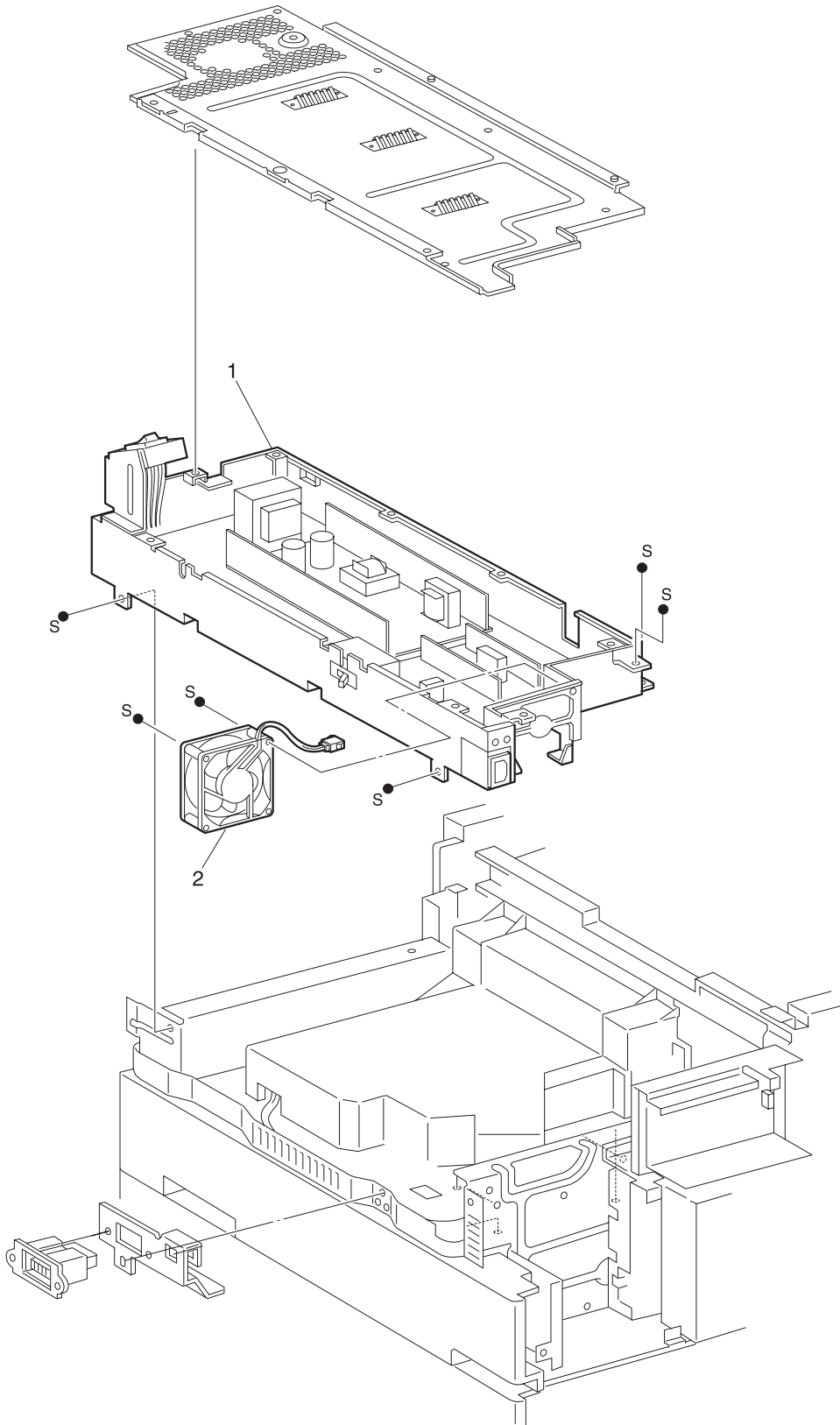
### Assembly 21: Fuser Drive Assembly



**Assembly 21: Fuser Drive Assembly**

<b>Asm-Index</b>	<b>Part Number</b>	<b>Units</b>	<b>Description</b>
21-1	12G4080	1	FRAME ASM, FUSER EXIT
-2	12G4081	1	CONNECTOR, FUSER DRIVE

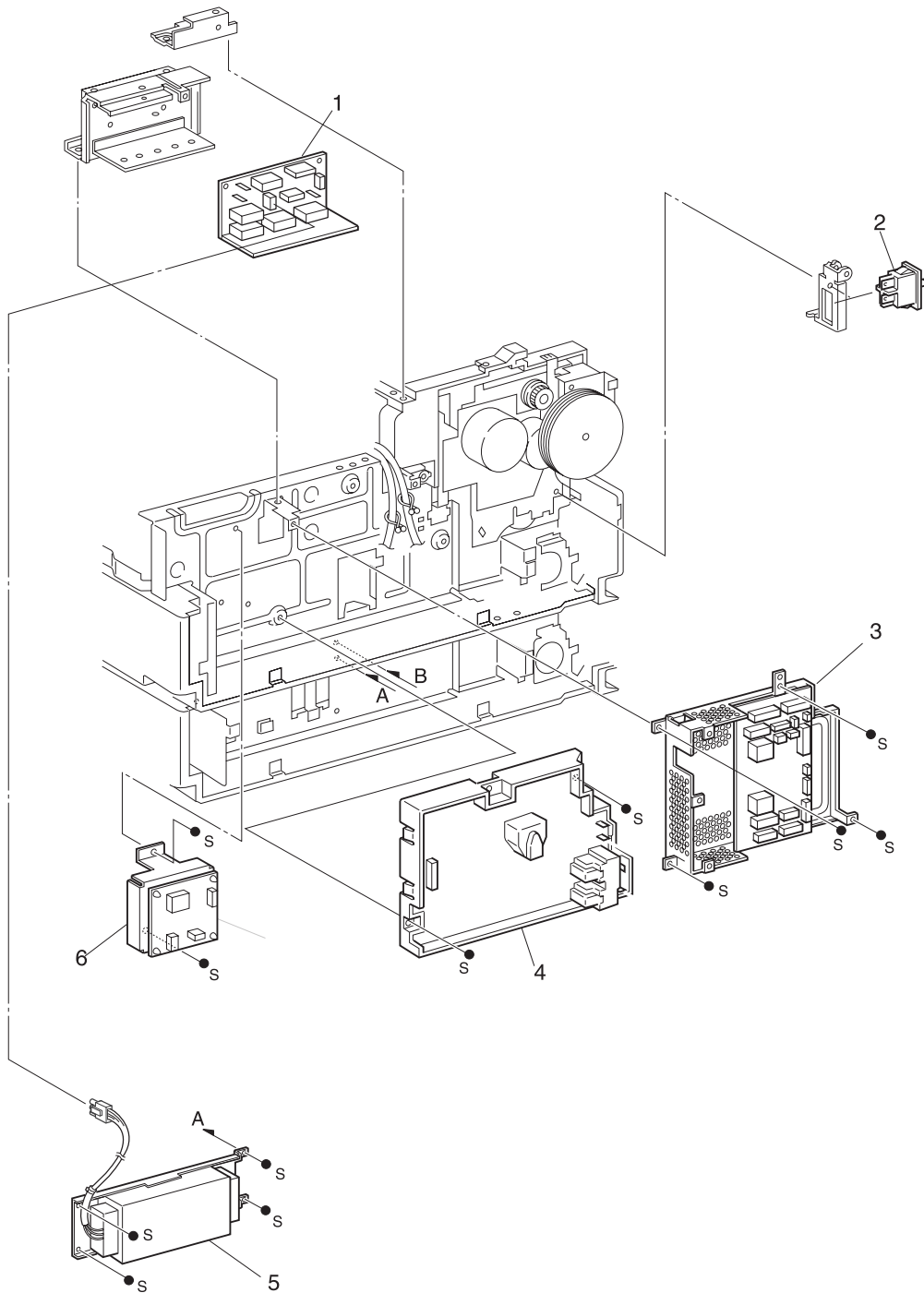
# Assembly 22: Power Unit



**Assembly 22: Power Unit**

<b>Asm-Index</b>	<b>Part Number</b>	<b>Units</b>	<b>Description</b>
22-1	12G4082	1	PWR SUPPLY, 110V
-1	12G4083	1	PWR SUPPLY, 220V
-2	12G4084	1	FAN, POWER UNIT
NS	11A9095	1	POWER CORD LV, U.S., Canada, Australia/New Zealand, Columbia, Costa Rica, Dominican Republic, Ecuador, El Salvador, Guatemala, Honduras, Mexico, Nicaragua, Panama, Peru, Venezuela, Puerto Rico, US Virgin Islands, Caribbean countries other than Dominican Republic
NS	1339518	1	POWER CORD HV, Argentina
NS	1339517	1	POWER CORD HV, Peru, Bolivia
NS	1339524	1	POWER CORD HV, Chile
NS	1339528	1	POWER CORD HV, UK, Ireland, Gulf Countries
NS	1339529	1	POWER CORD HV, Austria, Germany, Belgium, Cyprus, Euro English, Finland, Greece, France, Hungary, Czech, Slovak, Netherlands, Norway, Portugal, Turkey, Russia, Poland, Spain, Catalan, Sweden,
NS	1339530	1	POWER CORD HV, Israel
NS	1339531	1	POWER CORD HV, Switzerland-French, Switzerland-German, Switzerland-Italian
NS	1339532	1	POWER CORD HV, Africa
NS	1339520	1	POWER CORD HV, Brazil
NS	1339533	1	POWER CORD HV, Italy
NS	1339534	1	POWER CORD HV, Denmark

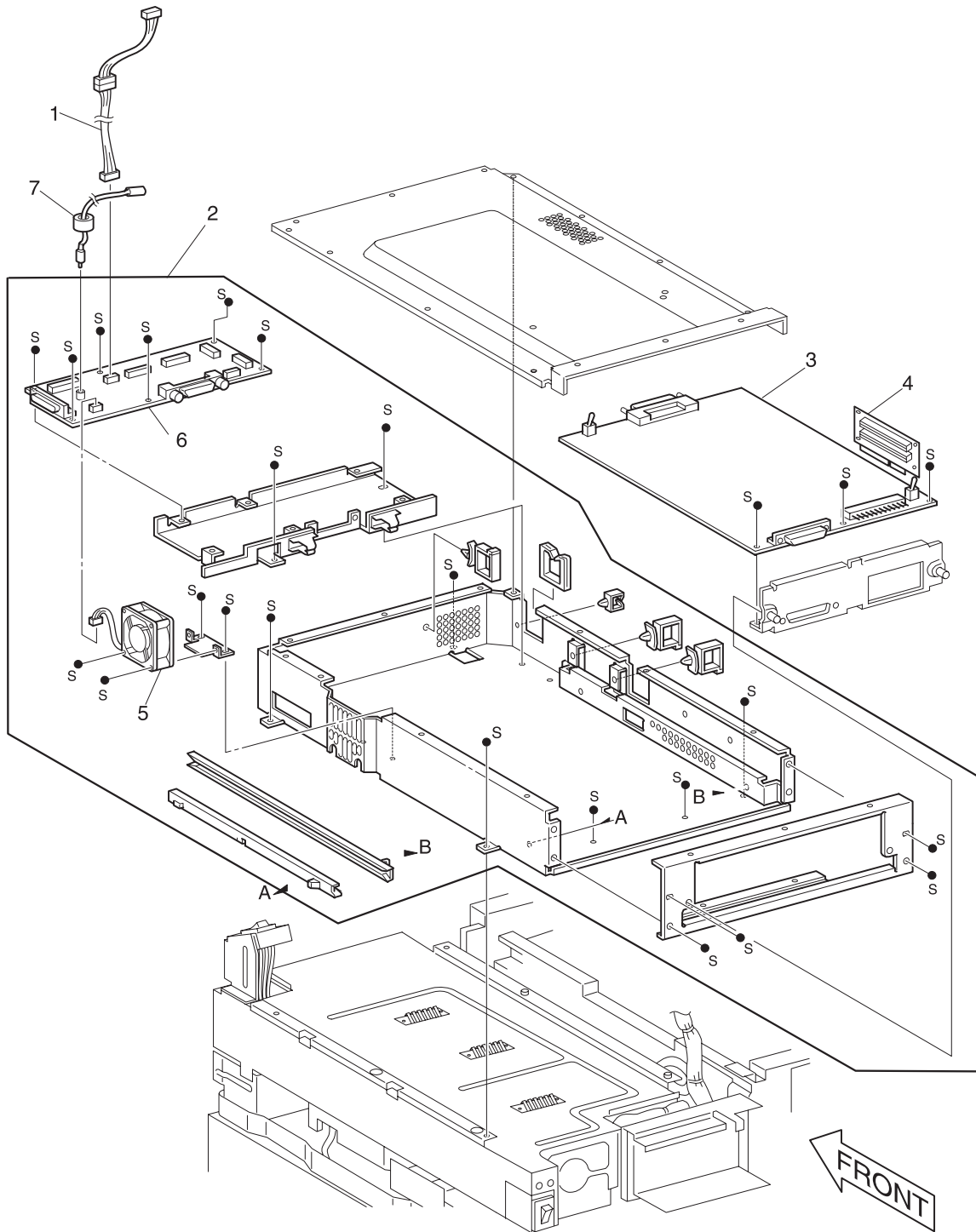
### Assembly 23: HVPS and I/O PWB



**Assembly 23: HVPS and I/O PWB**

<b>Asm-Index</b>	<b>Part Number</b>	<b>Units</b>	<b>Description</b>
23-1	12G4085	1	CARD ASM, AC DRIVER, 110V
-1	12G4086	1	CARD ASM, AC DRIVER, 220V
-2	12G4089	1	SWITCH, INTERLOCK
-3	12G4088	1	CARD ASM, I/O
-4	12G4087	1	HVPS
-5	12G4090	1	TRANSFORMER, 220 V MACHINE ONLY
-6	12G4376	1	PSLV-R2 POWER SUPPLY

# Assembly 24: ESS Assembly

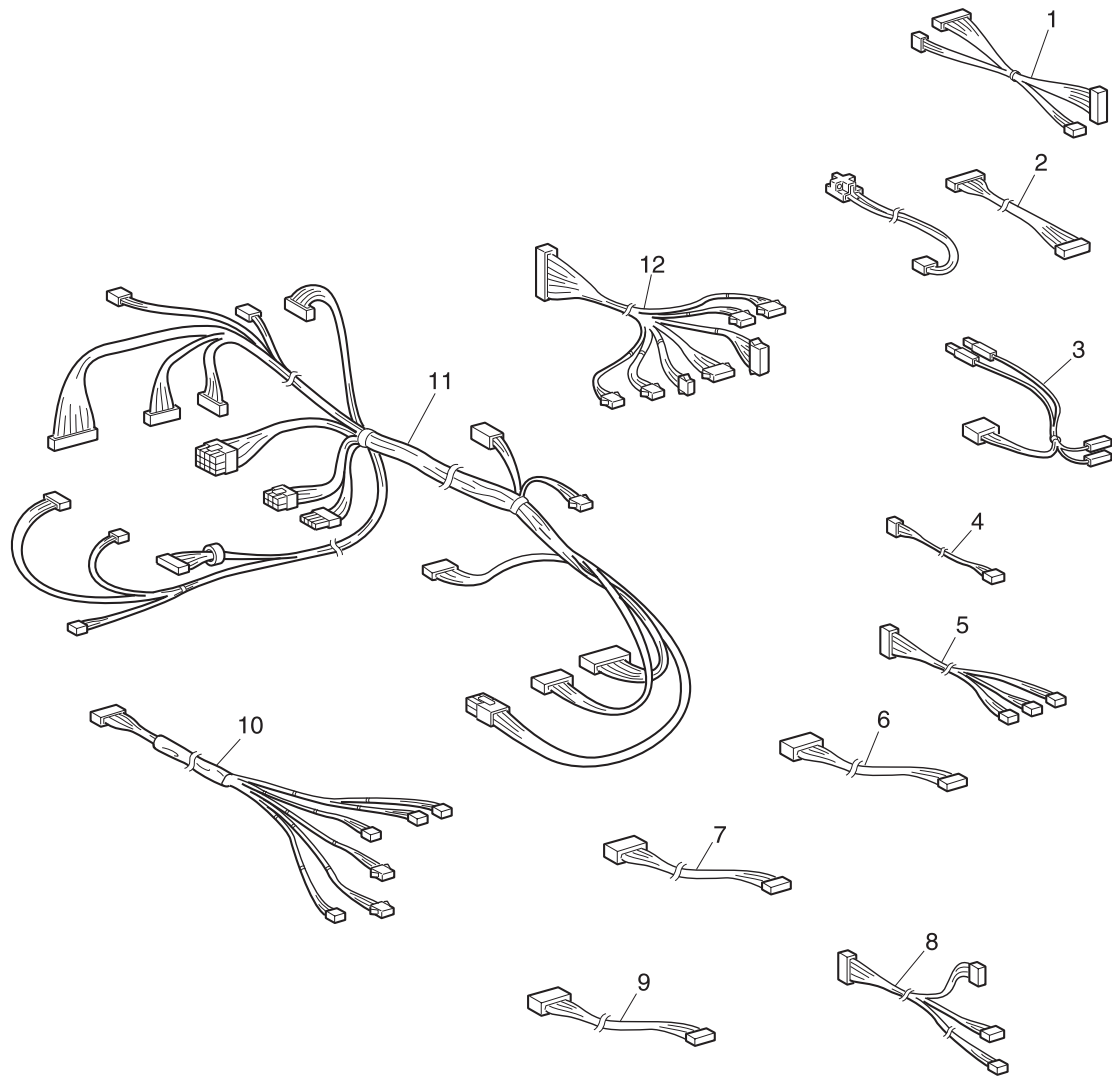


**Assembly 24: ESS Assembly**

Asm-Index	Part Number	Units	Description
24-1	12G4096	1	CABLE ASM, OP PANEL
-2	12G4091	1	CONTROLLER, BOX ASSEMBLY <b>Note:</b> Factory defaults must be reset after you replace the engine board (MCU PWB) contained in this B/M. Go to <b>"PRINTER SETUP"</b> on <a href="#">page 3-5</a>
-3	12G4093	1	BOARD ASM, CONTROLLER (ESS PWB), NETWORK
-3	12G4094	1	BOARD ASM CONTROLLER (ESS PWB), NON NETWORK
-4	12G4187	1	CARD ASM, RISER CARD
-5	12G4095	1	FAN, ESS COOLING
-6	12G4092	1	BOARD ASM, ENGINE (MCU PWB) 120V
-6	12G4379	1	BOARD ASM, ENGINE (MCU PWB) 220V
-7	12G4377	1	CABLE, PRINTHEAD



# Assembly 25: Harness



**Assembly 25: Harness**

<b>Asm-Index</b>	<b>Part Number</b>	<b>Units</b>	<b>Description</b>
25-1	12G4108	1	CABLE ASM, HVPS
-2	12G4107	1	CABLE ASM, MOTOR
-3	12G4105	1	CABLE ASM, INTERLOCK
-4	12G4104	1	CABLE ASM, PAPER SIZE
-5	12G4103	1	CABLE ASM, REGISTRATION
-6	12G4102	1	CABLE ASM, OUTPUT
-7	12G4101	1	CABLE ASM, DUPLEX
-8	12G4100	1	CABLE ASM, BOTTOM
-9	12G4099	1	CABLE ASM, TRAY
-10	12G4098	1	CABLE ASM, TRAY 1 REAR
-11	12G4097	1	CABLE ASM, MAIN
-12	12G4106	1	CABLE ASM, DC REAR

**Assembly 26: Miscellaneous**

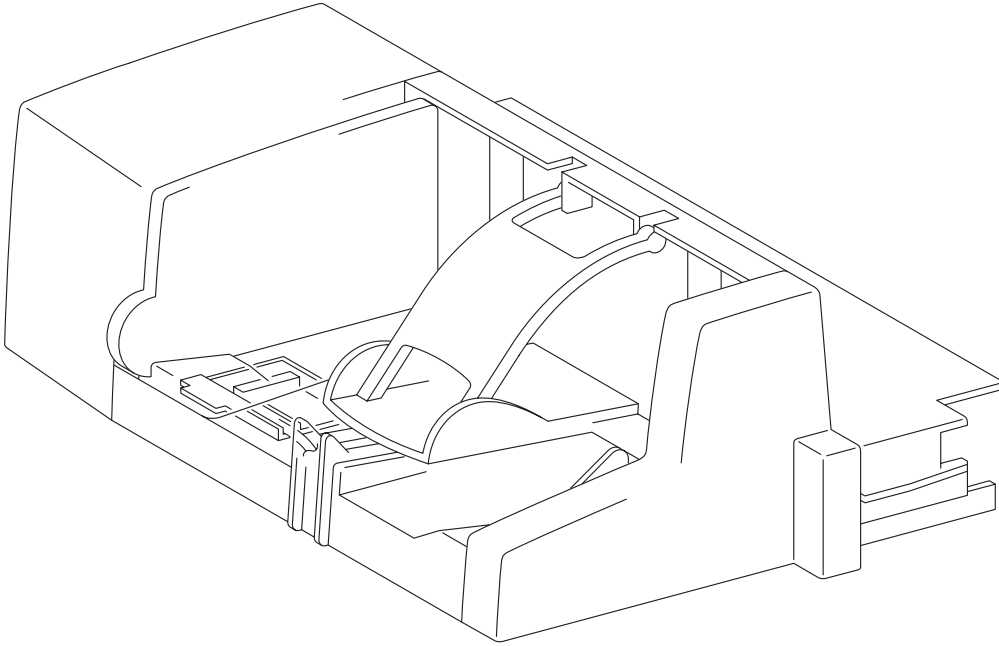
<b>Asm-Index</b>	<b>Part Number</b>	<b>Units</b>	<b>Description</b>
26	12G4375	1	SCREW PARTS PACK
26	12G4368	1	KIT CLAMP
26	12G4369	1	KIT E CLIP
26	12G4370	1	KIT REPACK, PRINTER
26	12G4371	1	KIT REPACK, ENVELOPE FEEDER
26	12G4372	1	KIT REPACK, DUPLEX UNIT
26	12G4373	1	KIT REPACK, HCF
26	12G4374	1	KIT REPACK, FINISHER
26	99A1752	1	4 MB MEMORY
26	99A1753	1	8 MB MEMORY
26	99A1754	1	16 MB MEMORY
26	99A1755	1	32 MB MEMORY
26	99A1756	1	64 MB MEMORY
26	99A1773	1	128 MB MEMORY
26	99A1757	1	2 MB MEMORY, FLASH MEMORY
26	99A1758	1	4 MB MEMORY, FLASH MEMORY
26	99A1759	1	8 MB MEMORY, FLASH MEMORY
26	99A1774	1	16 MB MEMORY, FLASH MEMORY
26	99A0459	1	3.2 GB ISP HARD DISK (install in top slot only)
26	12G1697	1	TOKEN-RING
26	12G1695	1	ETHERNET 10/100BASE-TX
26	12G1696	1	ETHERNET 10BASE-T/2
26	12G1830	1	TOKEN-RING - 3 PORT
26	12G1831	1	10/100 BASE TX - 3 PORT
26	12G1832	1	10 BASE T/2 - 1 PORT
26	12G1833	1	10/100 BASE TX - 1 PORT
26	99A0560	1	TRI-PORT ADAPTER

**Assembly 26: Miscellaneous**

<b>Asm-Index</b>	<b>Part Number</b>	<b>Units</b>	<b>Description</b>
26	99A0424	1	INFRARED ADAPTER
26	99A0467	1	PARALLEL 1284-C ADAPTER
26	99A0545	1	EXTERNAL SERIAL TO PARALLEL ADAPTER
26	99A0923	1	USB ADAPTER
26	99A0629	1	COAX/TWINAX ADAPTER FOR SCS
26	99A1683	1	OPTRA FORMS™ 2MB FLASH DIMM
26	99A1684	1	OPTRA FORMS™ 4MB FLASH DIMM
26	99A1685	1	OPTRA FORMS™ 8MB FLASH DIMM
26	99A1686	1	OPTRA FORMS™ 16MB FLASH DIMM
26	12G4380	1	IPDS & SCS/TNE
26	12G4382	1	IMAGEQUICK™

**Assembly 1: Envelope Feeder**

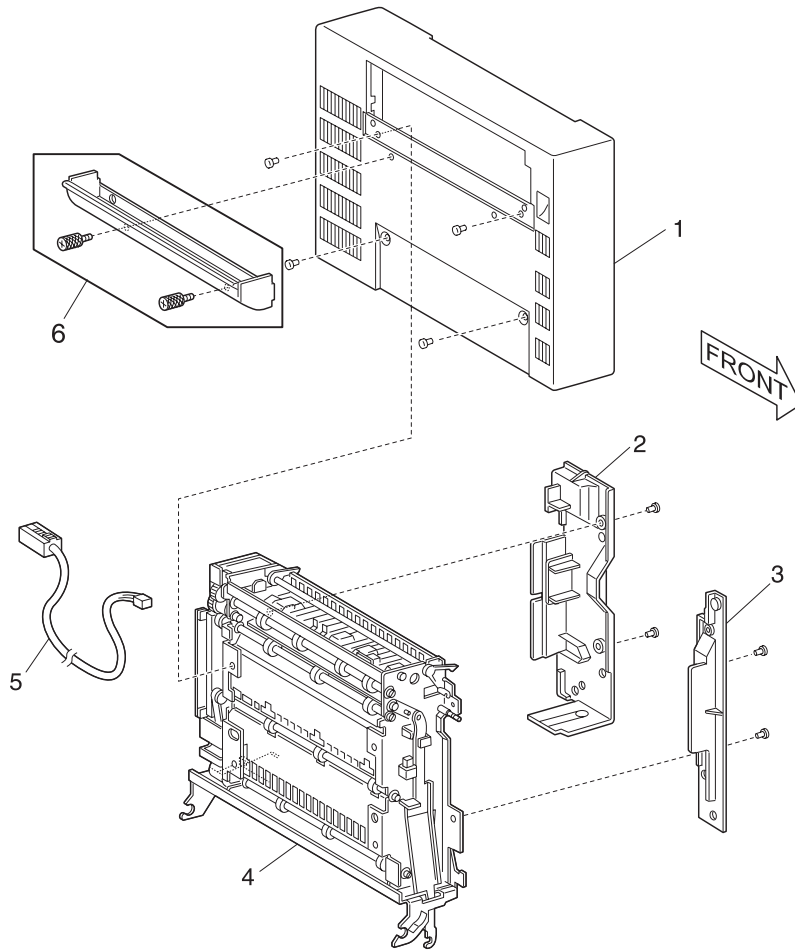
①



**Assembly 1: Envelope Feeder**

<b>Asm-Index</b>	<b>Part Number</b>	<b>Units</b>	<b>Description</b>
1	12G4181	1	FEEDER ASM, ENVELOPE

Assembly 2: Duplex

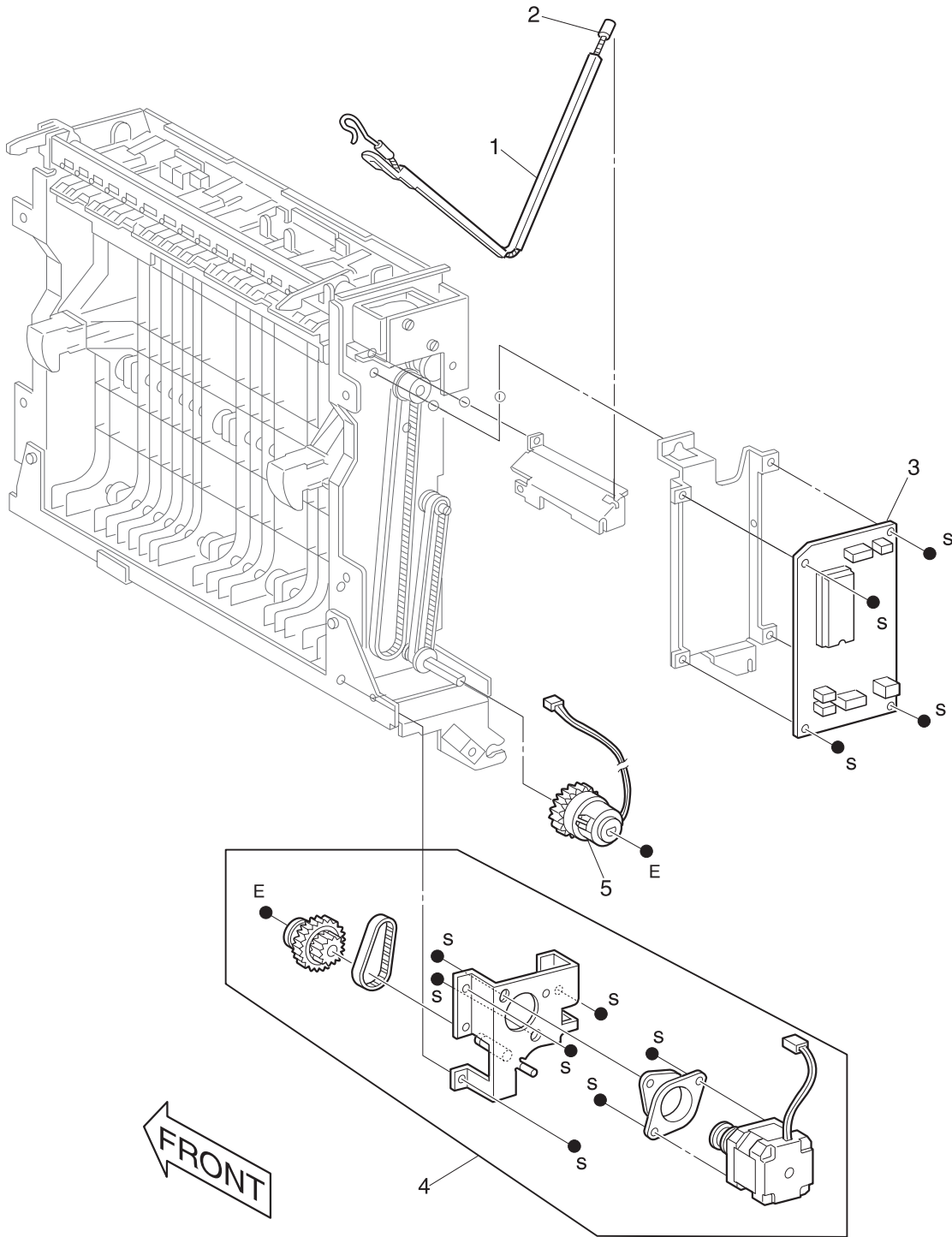


**Assembly 2: Duplex**

<b>Asm-Index</b>	<b>Part Number</b>	<b>Units</b>	<b>Description</b>
1	12G4152	1	COVER, DUPLEX
2	12G4153	1	COVER, DUPLEX R
3	12G4154	1	COVER, DUPLEX F
4	12G4155	1	TRANSPORT, DUPLEX ASSEMBLY
5	12G4156	1	CABLE ASM, DUPLEX
6	12G4158	1	COVER, DUPLEX TRAY



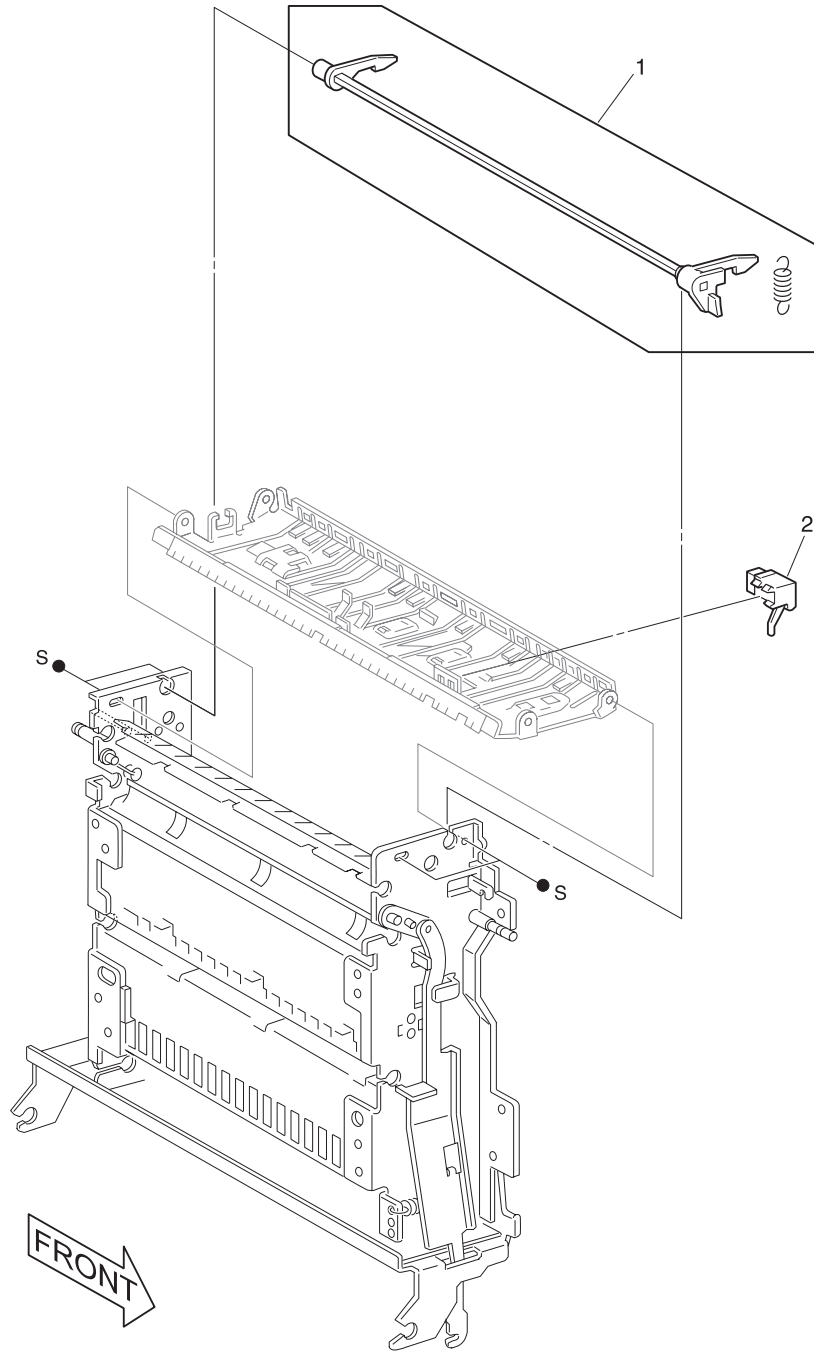
### Assembly 2.1: Duplex



**Assembly 2.1: Duplex**

<b>Asm-Index</b>	<b>Part Number</b>	<b>Units</b>	<b>Description</b>
1	12G4162	1	SUPPORT ASM, DUPLEX
2	12G4163	1	STRAP ASM, SUPPORT
3	12G4159	1	CARD ASM, DUPLEX
4	12G4161	1	MOTOR ASM, DUPLEX
5	12G4160	1	CLUTCH ASM, DUPLEX

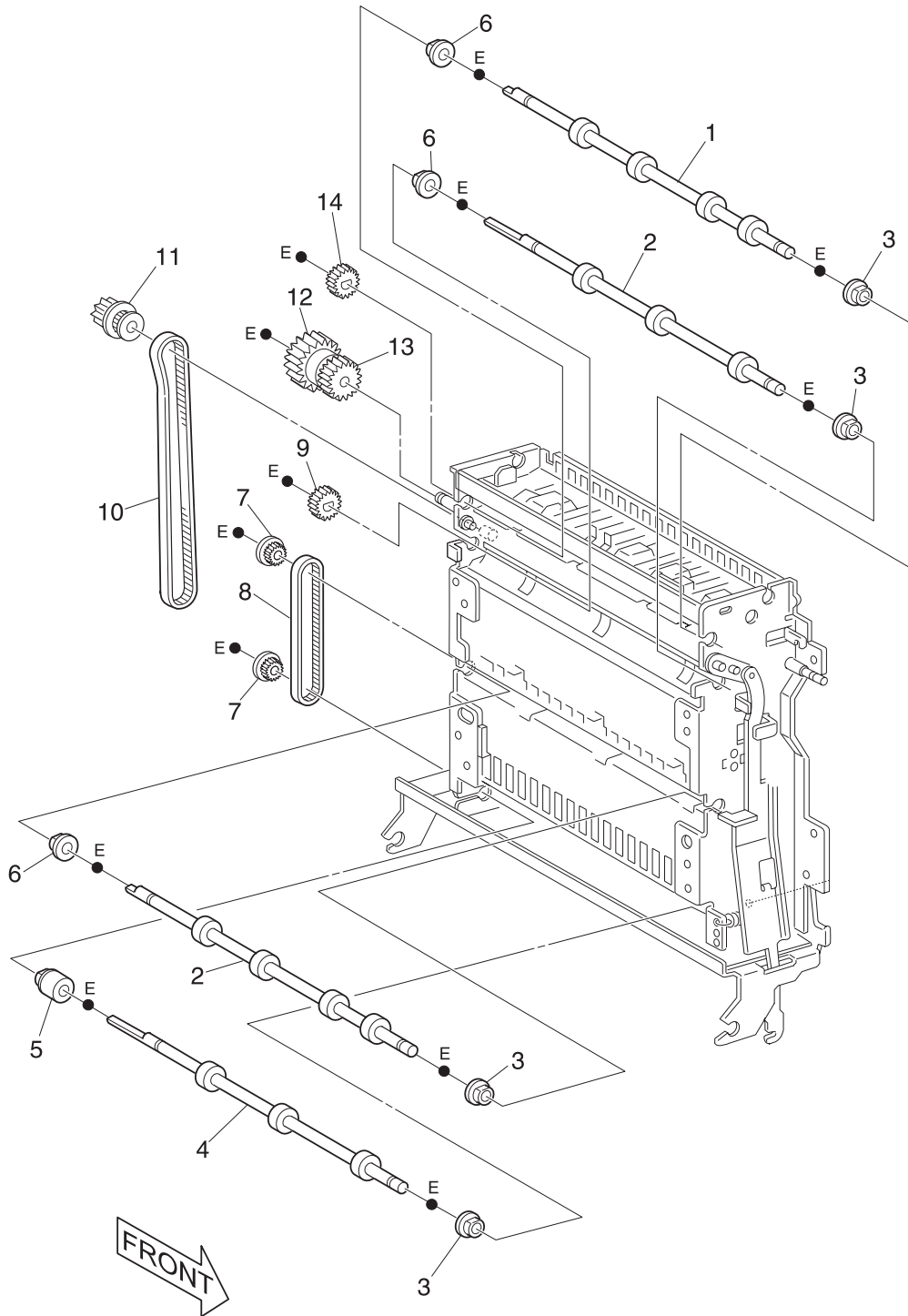
Assembly 2.2: Duplex



**Assembly 2.2: Duplex**

<b>Asm-Index</b>	<b>Part Number</b>	<b>Units</b>	<b>Description</b>
1	12G4165	1	LATCH ASM, DUPLEX
2	12G4164	1	SENSOR, PHOTO

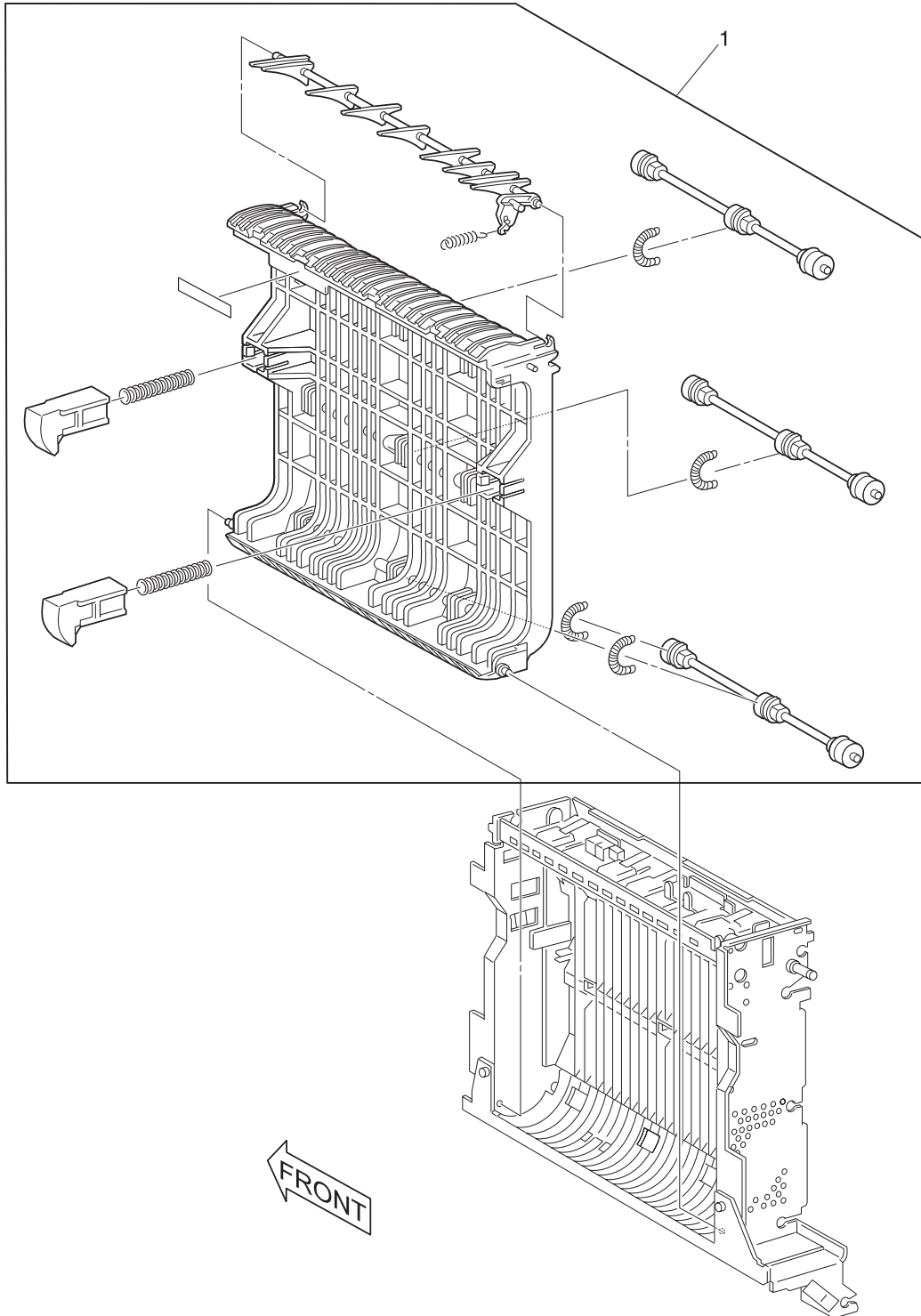
### Assembly 2.3: Duplex



**Assembly 2.3: Duplex**

<b>Asm-Index</b>	<b>Part Number</b>	<b>Units</b>	<b>Description</b>
1	12G4167	1	ROLLER ASM, DUPLEX EXIT
2	12G4172	1	ROLLER ASM, TRANSPORT
3	12G4166	1	BEARING TRANSPORT, EXIT
4	12G4176	1	ROLLER ASM EXIT, TRANSPORT WAIT
5	12G4177	1	CLUTCH DUPLEX, ONE-WAY
6	12G4179	1	BEARING
7	12G4174	1	PULLEY, 20
8	12G4175	1	BELT, SYNCHRONOUS
9	12G4173	1	GEAR, 18
10	12G4171	1	BELT, SYNCHRONOUS
11	12G4170	1	GEAR, 20/25
12	12G4169	1	CLUTCH ASM, FRICTION
13	12G4178	1	GEAR, 21
14	12G4168	1	GEAR, 14

### Assembly 2.4: Duplex

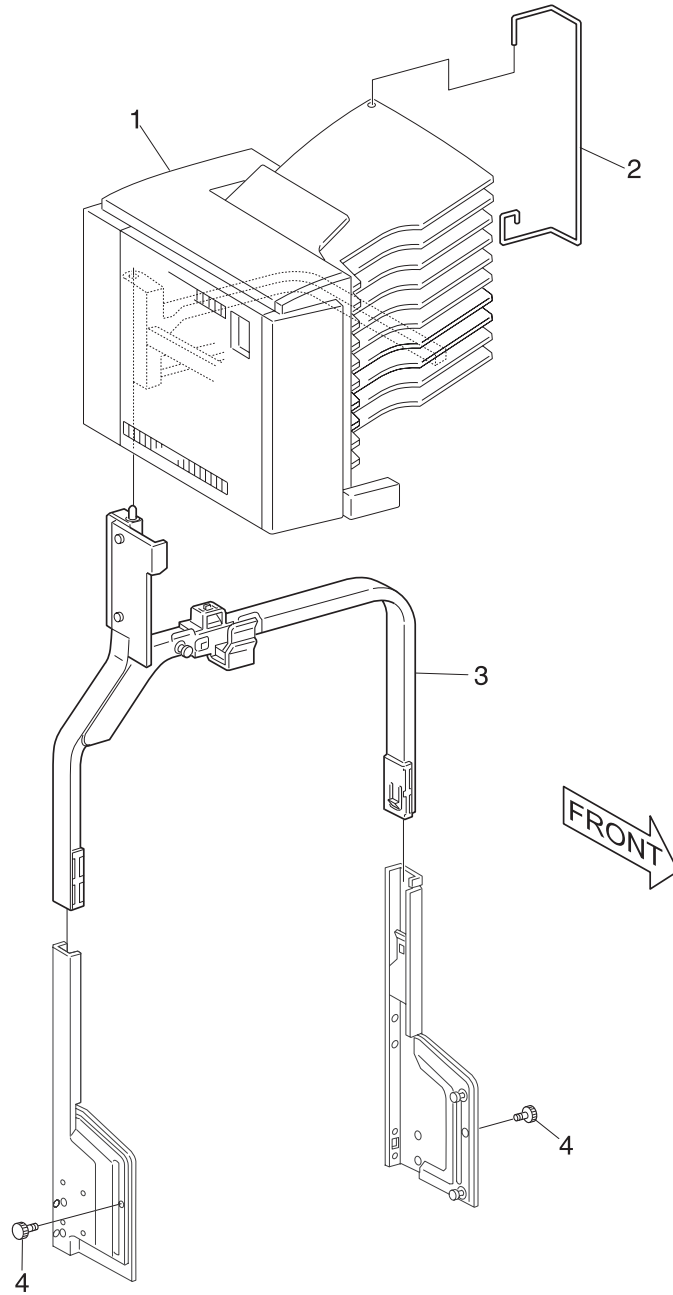


**Assembly 2.4: Duplex**

<b>Asm-Index</b>	<b>Part Number</b>	<b>Units</b>	<b>Description</b>
1	12G4180	1	GUIDE ASM, DUPLEX



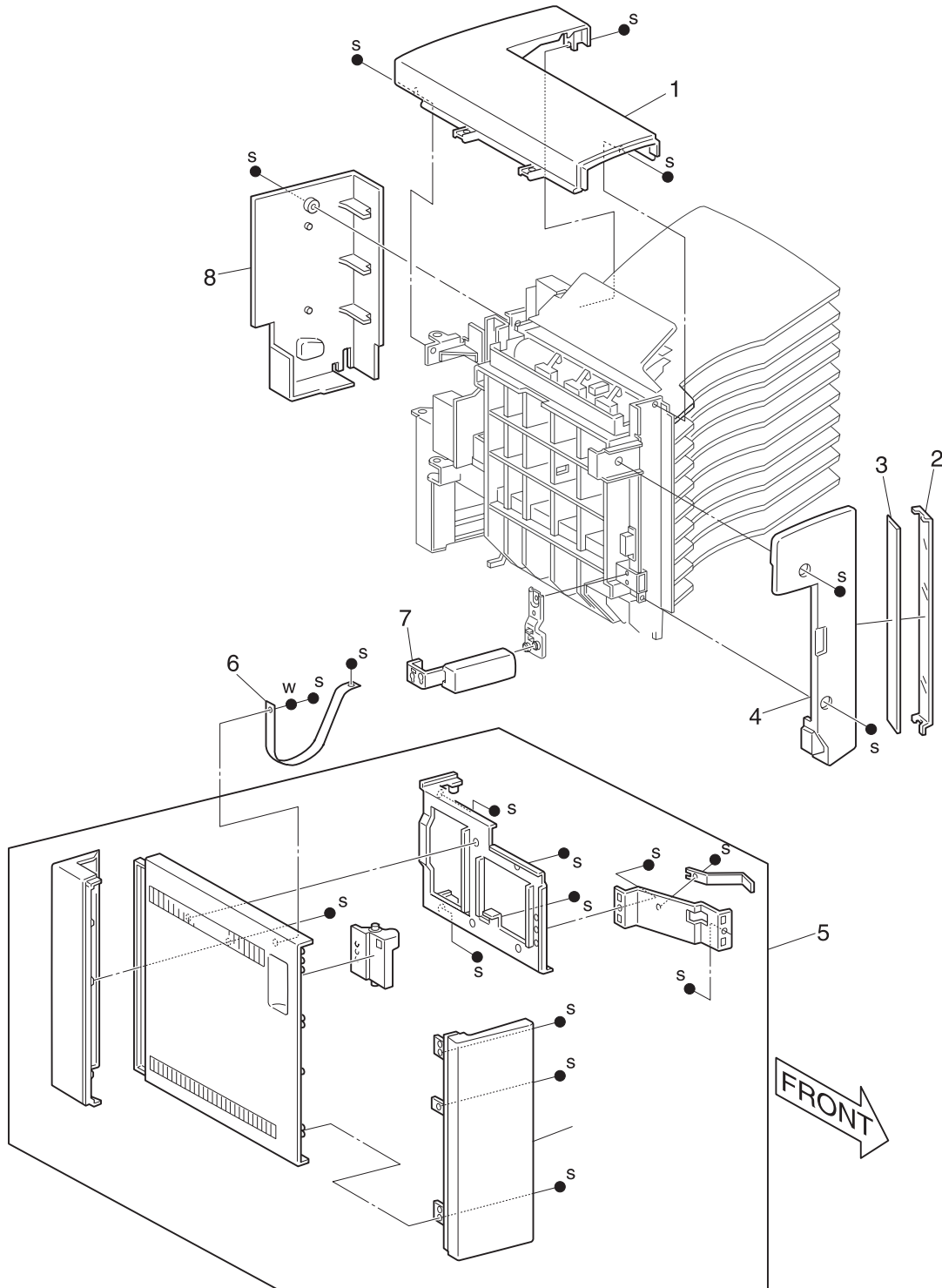
Assembly 3: Mailbox



**Assembly 3: Mailbox**

<b>Asm-Index</b>	<b>Part Number</b>	<b>Units</b>	<b>Description</b>
1	12G4188	1	ASSEMBLY, MAILBOX
2	12G4189	1	STOP, PAPER
3	12G4190	1	BRACKET, MAILBOX
4	12G4191	1	SCREW

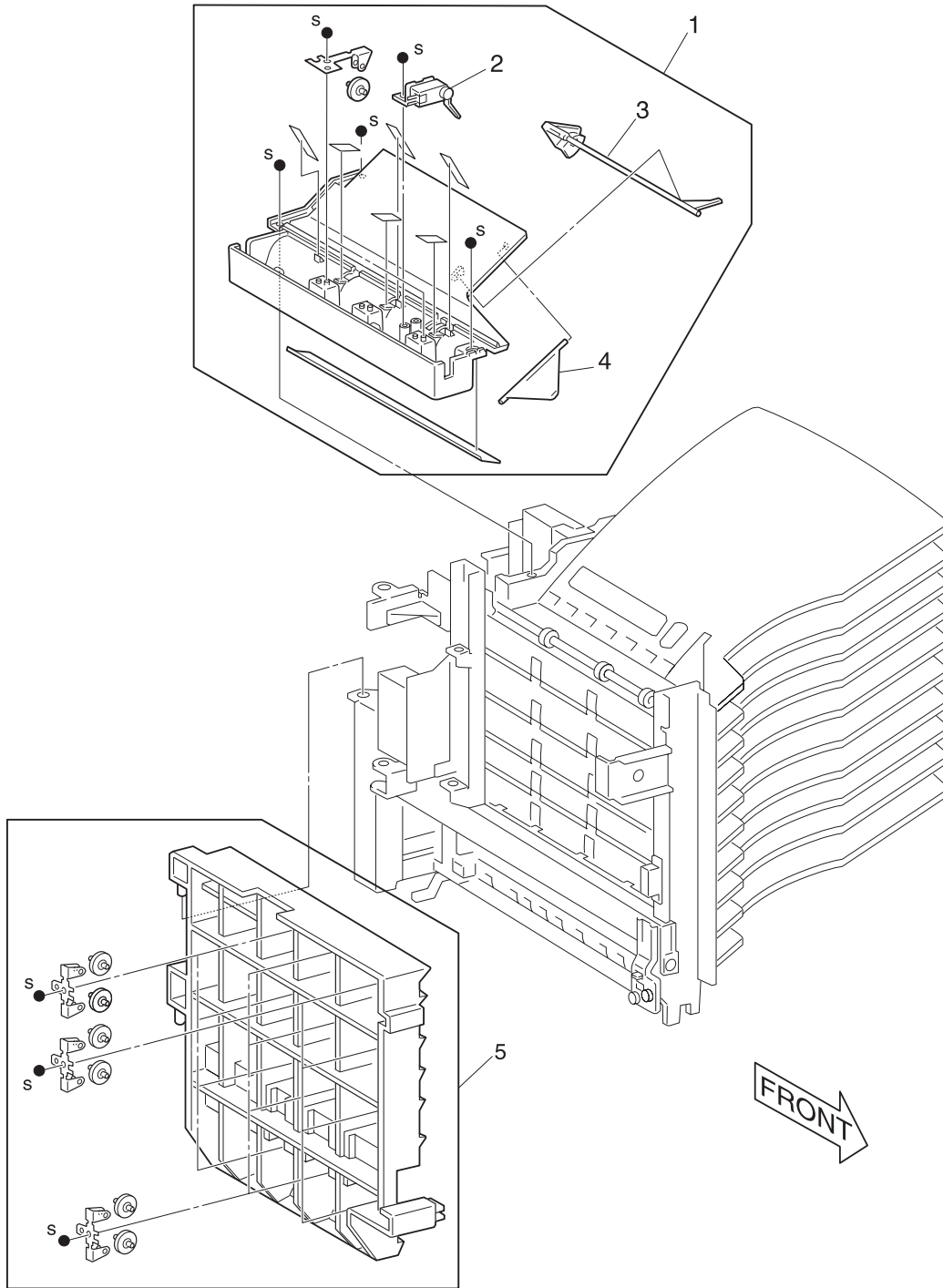
### Assembly 3.1: Mailbox



**Assembly 3.1: Mailbox**

<b>Asm-Index</b>	<b>Part Number</b>	<b>Units</b>	<b>Description</b>
1	12G4195	1	COVER, TOP
2	12G4192	1	PANEL, MAILBOX
3	12G4193	1	LABEL, MAILBOX
4	12G4194	1	COVER, FRONT
5	12G4196	1	COVER, LEFT
6	12G4199	1	STRAP, LEFT COVER
7	12G4198	1	HANDLE, MAILBOX
8	12G4197	1	COVER, REAR

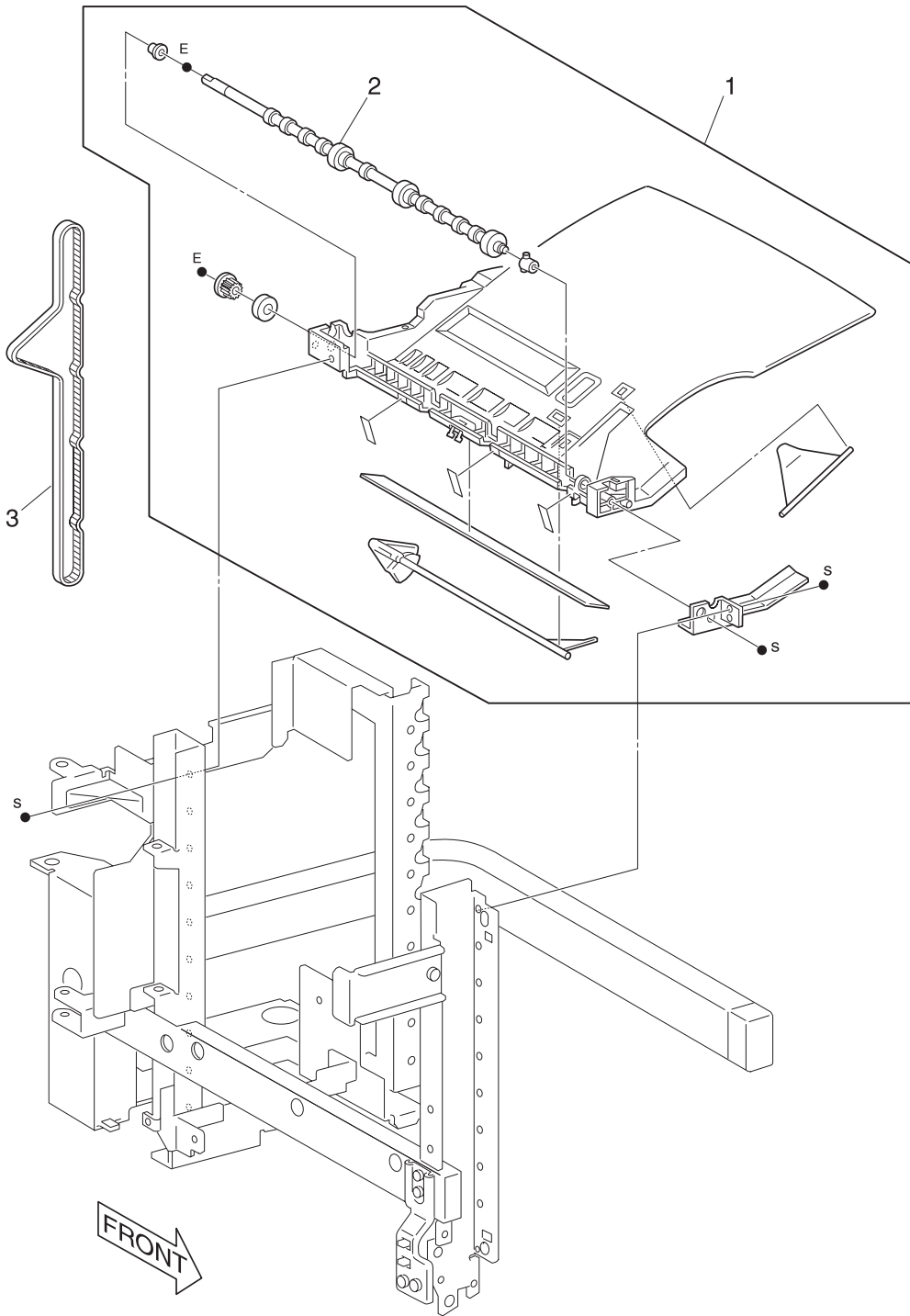
### Assembly 3.2: Mailbox



**Assembly 3.2: Mailbox**

<b>Asm-Index</b>	<b>Part Number</b>	<b>Units</b>	<b>Description</b>
1	12G4200	1	COVER ASM, ACTUATOR
2	12G4201	1	SENSOR JAM, BIN 10
3	12G4202	1	ACTUATOR, 1 FULL STACK
4	12G4203	1	ACTUATOR, 2 FULL STACK
5	12G4204	1	TRANSPORT, GUIDE ASM

### Assembly 3.3: Mailbox

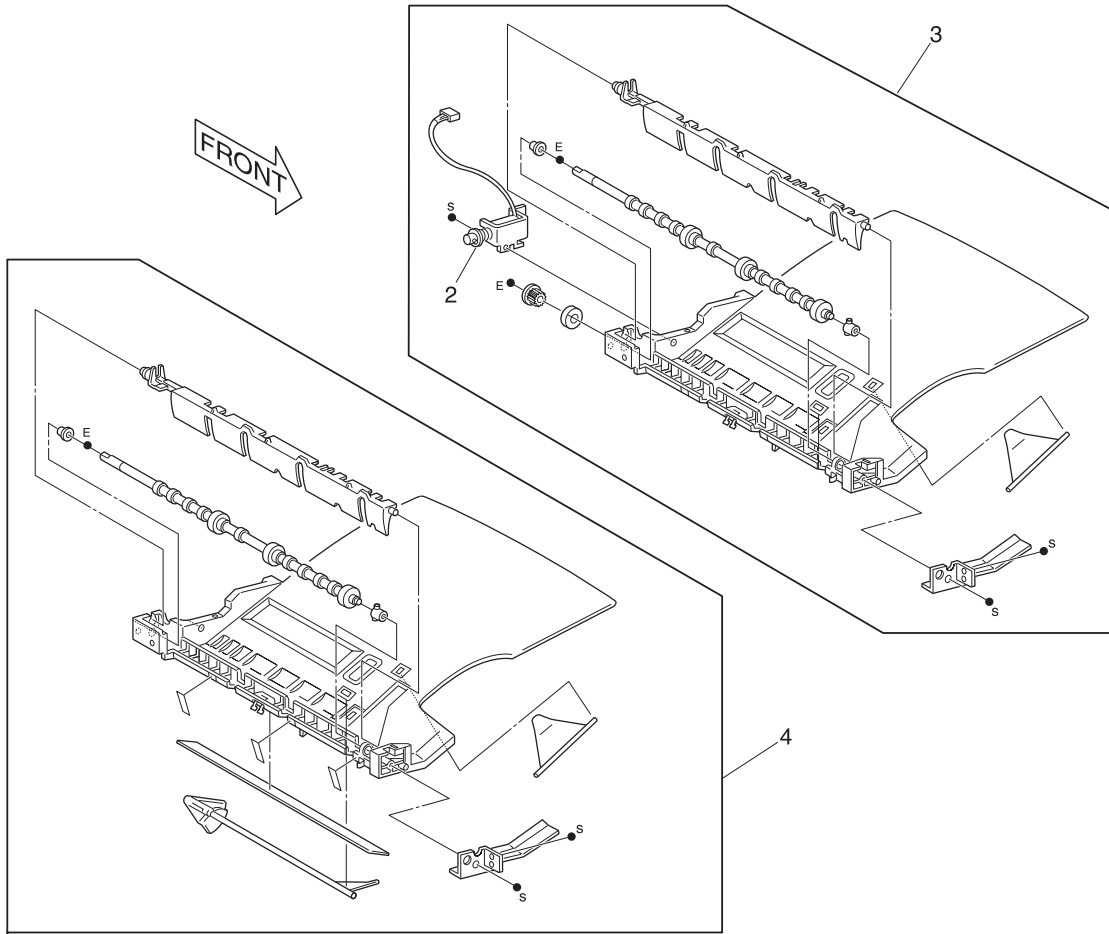
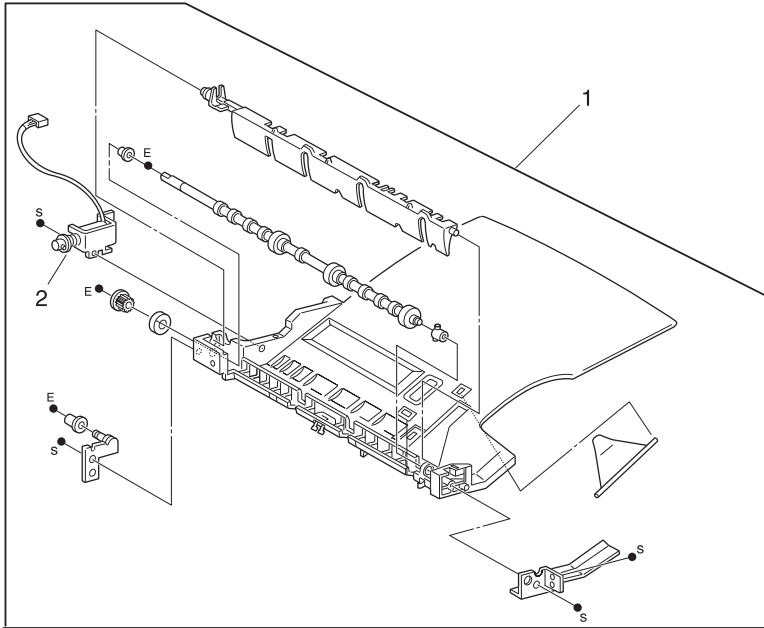


**Assembly 3.3: Mailbox**

<b>Asm-Index</b>	<b>Part Number</b>	<b>Units</b>	<b>Description</b>
1	12G4205	1	ASSEMBLY, TRAY 1
2	12G4206	1	ROLLER ASM, EXIT 1
3	12G4207	1	BELT, DRIVE



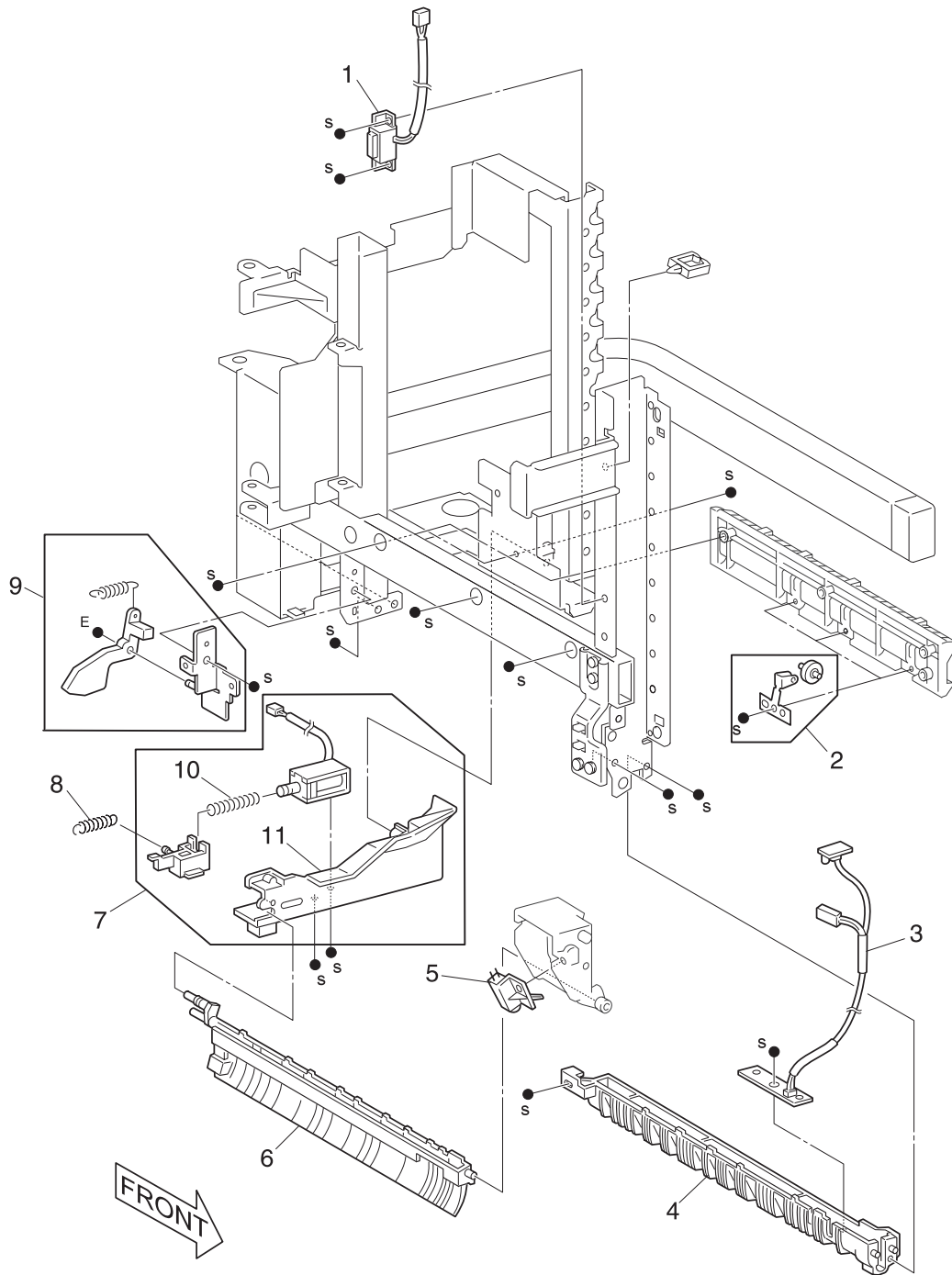
### Assembly 3.4: Mailbox



**Assembly 3.4: Mailbox**

<b>Asm-Index</b>	<b>Part Number</b>	<b>Units</b>	<b>Description</b>
1	12G4210	1	ASSEMBLY, TRAY ODD
2	12G4211	1	SOLENOID, GATE 1-9
3	12G4209	1	ASSEMBLY, TRAY 1
4	12G4208	1	ASSEMBLY, TRAY EVEN

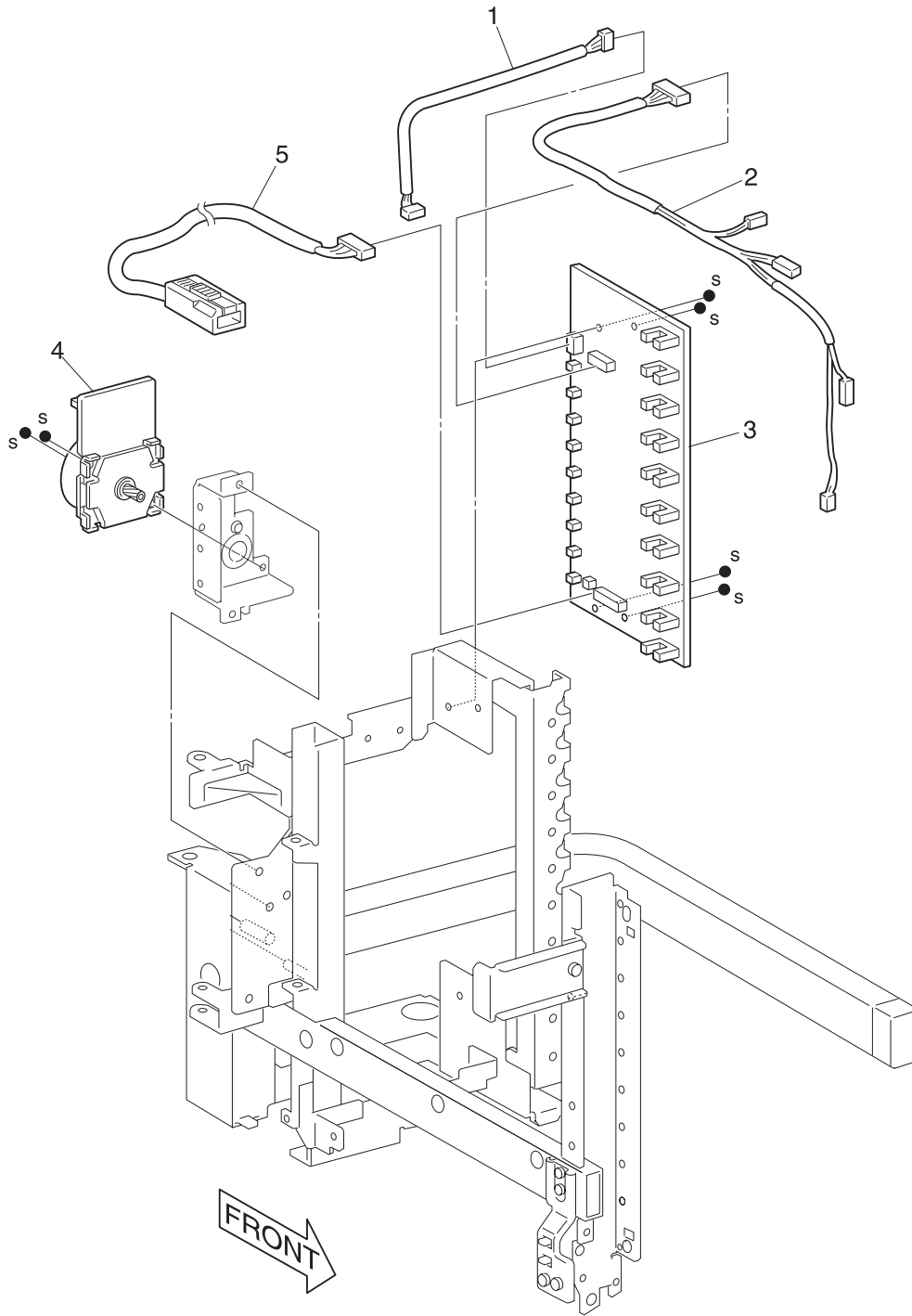
### Assembly 3.5: Mailbox



**Assembly 3.5: Mailbox**

<b>Asm-Index</b>	<b>Part Number</b>	<b>Units</b>	<b>Description</b>
1	12G4219	1	SWITCH ASM, INTERLOCK
2	12G4220	1	PINCH ROLL ASSEMBLY
3	12G4218	1	SENSOR, LED
4	12G4217	1	GUIDE PAPER, LOWER
5	12G4215	1	SENSOR
6	12G4216	1	GUIDE, PAPER
7	12G4222	1	COVER, LOWER
8	12G4214	1	SPRING, GATE IN
9	12G4221	1	ASSEMBLY, BRACKET
10	12G4213	1	SPRING, SOLENOID
11	12G4212	1	COVER, LOWER REAR

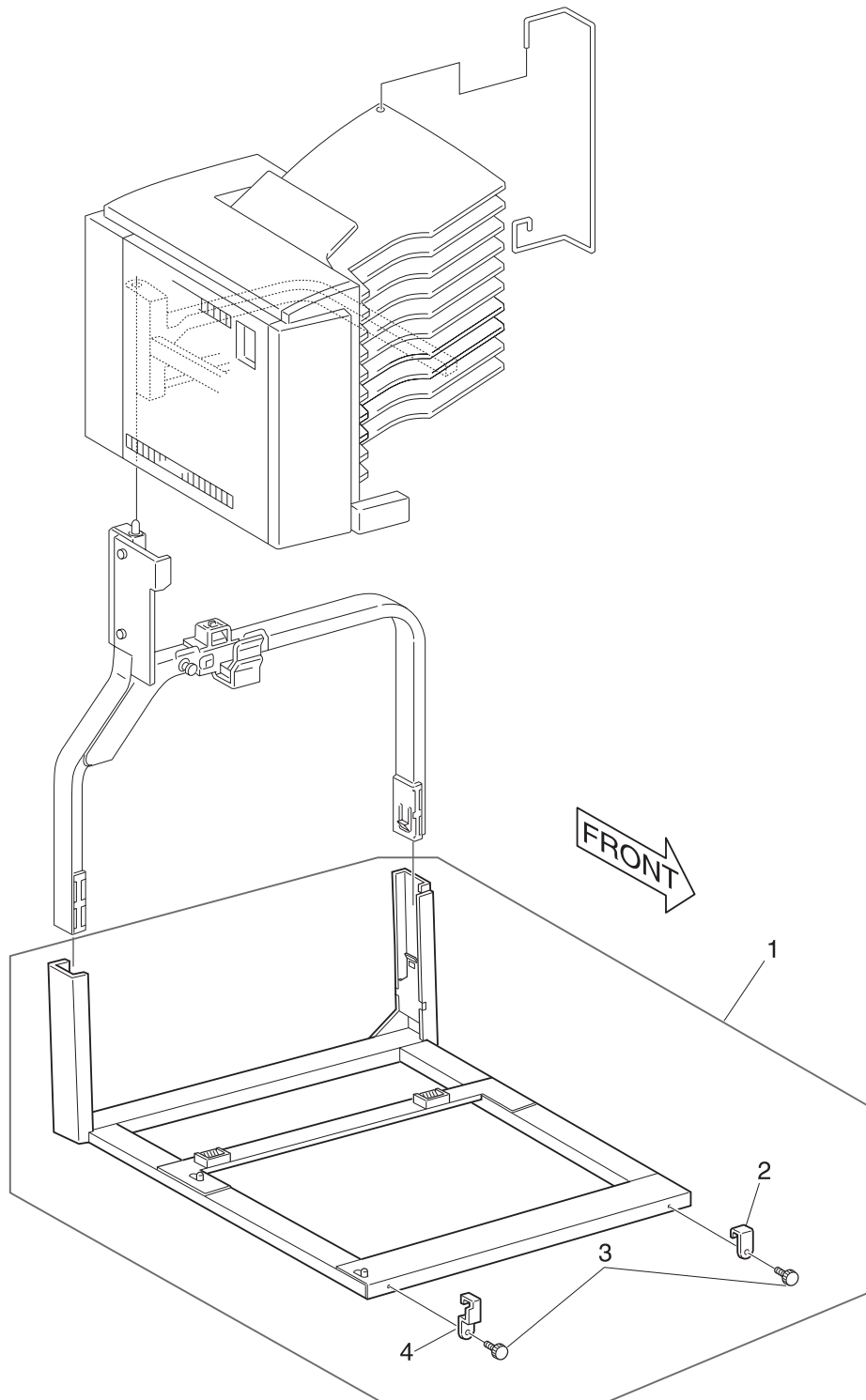
### Assembly 3.6: Mailbox



**Assembly 3.6: Mailbox**

<b>Asm-Index</b>	<b>Part Number</b>	<b>Units</b>	<b>Description</b>
1	12G4226	1	HARNESS, DRIVE MOTOR
2	12G4225	1	HARNESS, SENSOR
3	12G4223	1	CARD ASM, MAILBOX
4	12G4227	1	MOTOR, DRIVE
5	12G4224	1	HARNESS, BASE ENGINE

### Assembly 3.7: Mailbox

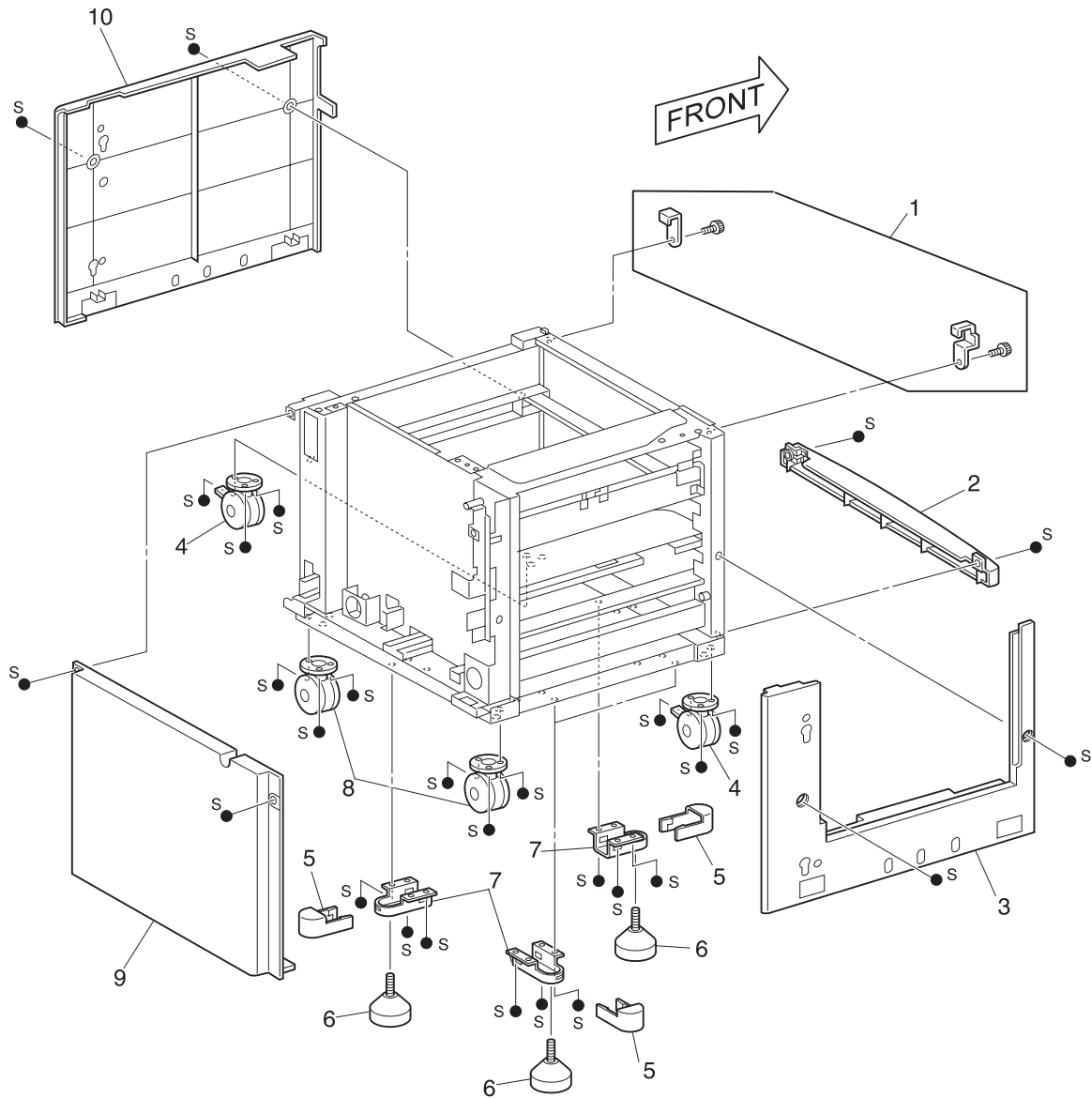


**Assembly 3.7: Mailbox**

<b>Asm-Index</b>	<b>Part Number</b>	<b>Units</b>	<b>Description</b>
1	12G4228	1	BRACKET, MAILBOX
2	12G4229	1	BRACKET, RIGHT
3	12G4231	1	SCREW, BRACKET
4	12G4230	1	BRACKET, LEFT



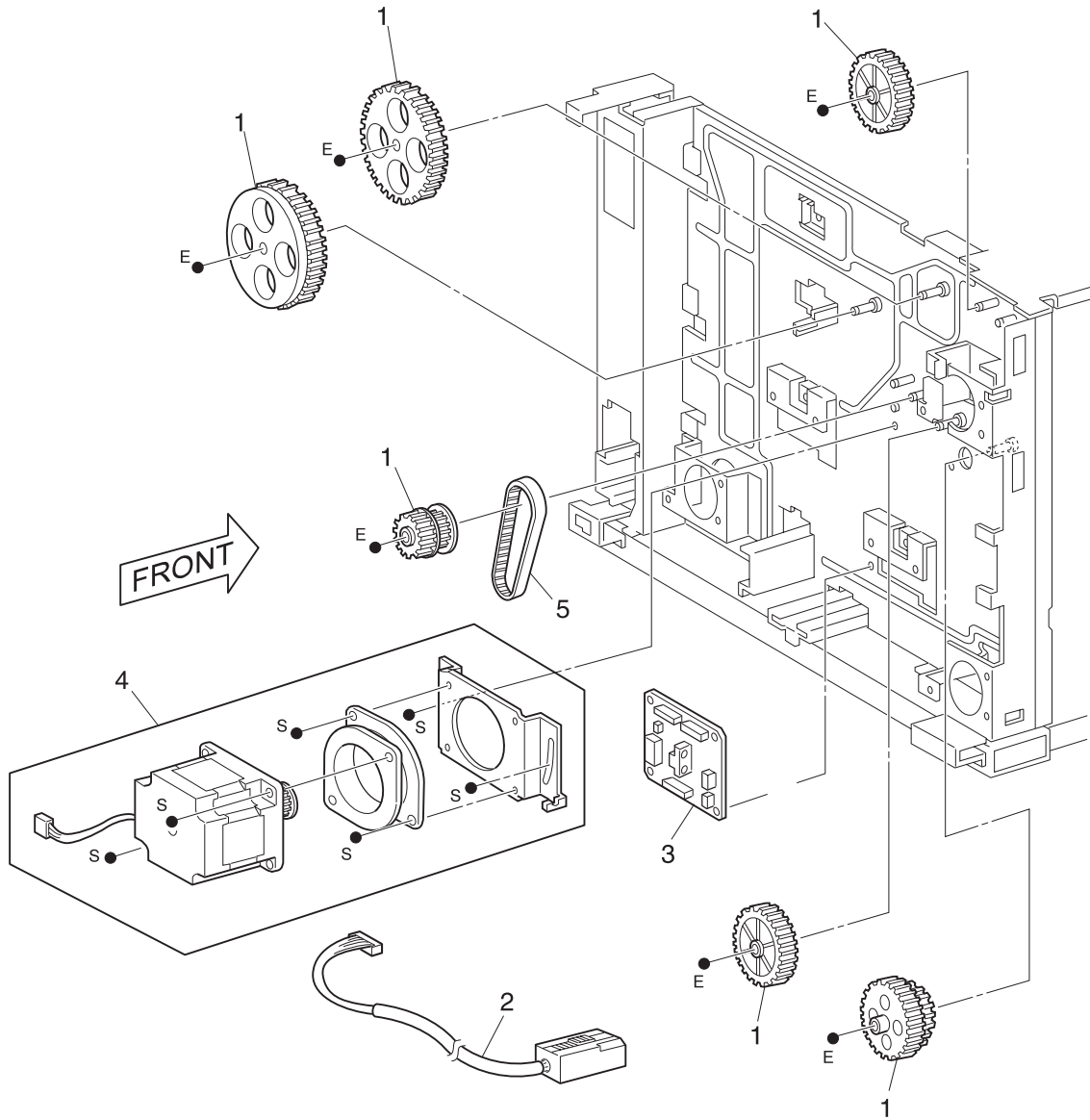
### Assembly 4: High Capacity Feeder



**Assembly 4: High Capacity Feeder**

<b>Asm-Index</b>	<b>Part Number</b>	<b>Units</b>	<b>Description</b>
1	12G4118	1	KIT, HCF MOUNTING
2	12G4110	1	COVER, FRONT BOTTOM
3	12G4109	1	COVER, LEFT HCF
4	12G4113	1	CASTER, S
5	12G4117	1	COVER, FOOT
6	12G4116	1	FOOT ASM, AJUSTER
7	12G4115	1	BRACKET, FOOT
8	12G4114	1	CASTER
9	12G4112	1	COVER, REAR
10	12G4111	1	COVER, RIGHT

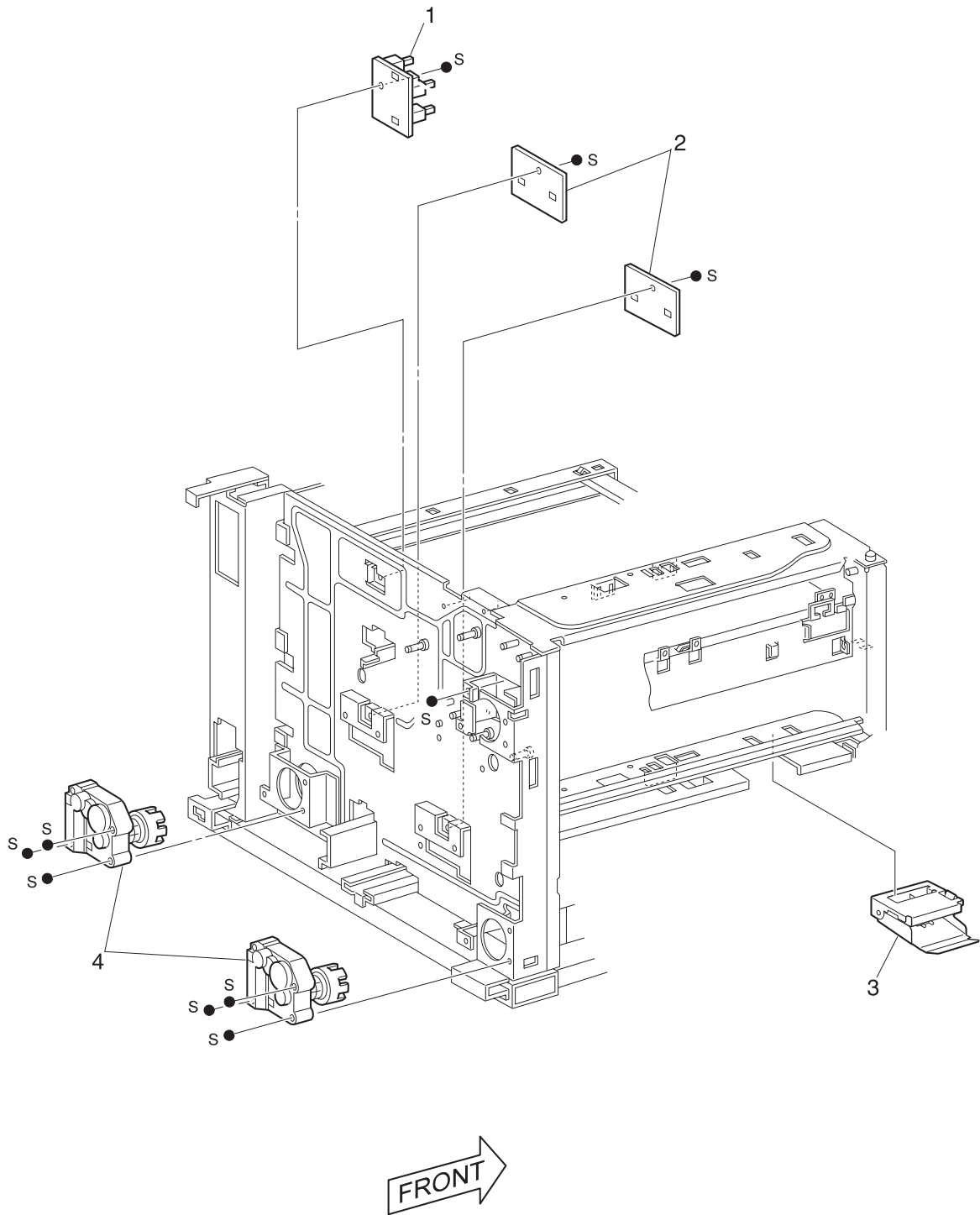
### Assembly 4.1: High Capacity Feeder



**Assembly 4.1: High Capacity Feeder**

<b>Asm-Index</b>	<b>Part Number</b>	<b>Units</b>	<b>Description</b>
1	12G4123	1	KIT, HCF DRIVE GEAR
2	12G4122	1	CABLE, ASSEMBLY HCF
3	12G4121	1	CARD ASM, HCF
4	12G4119	1	MOTOR, FEED ASSEMBLY
5	12G4120	1	BELT, SYNCHRONOUS

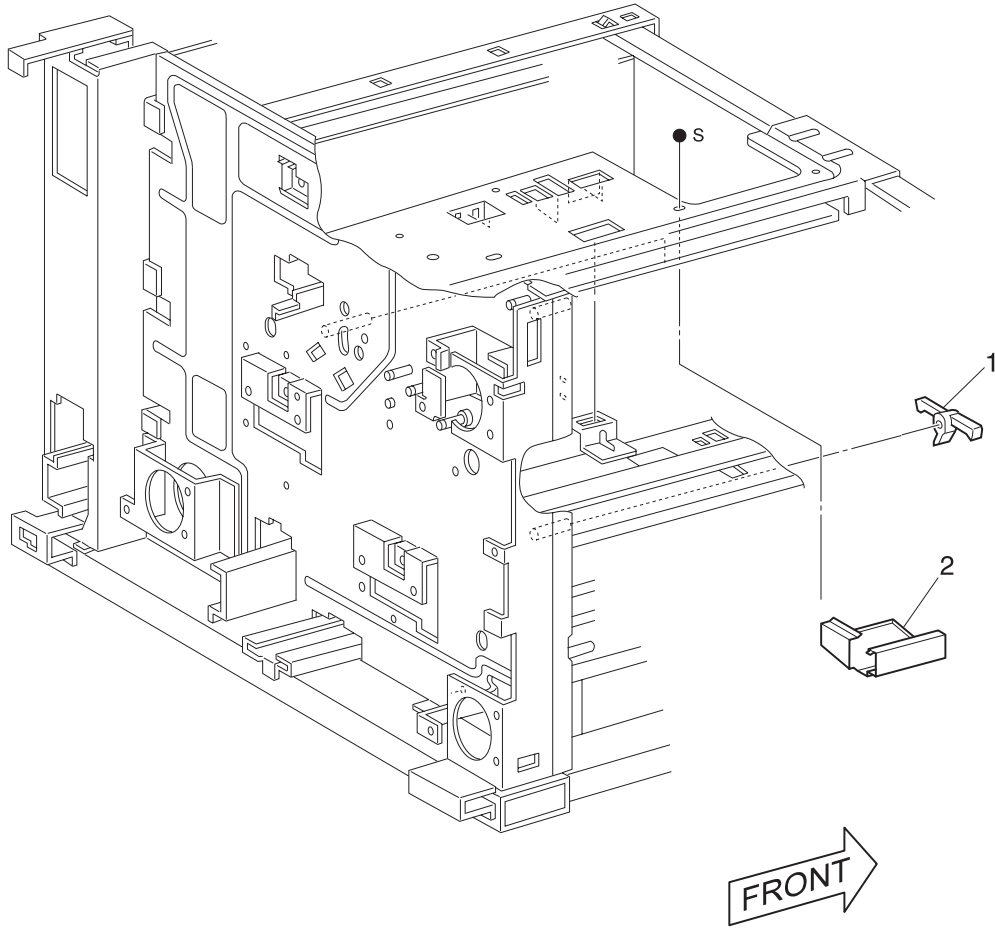
### Assembly 4.2: High Capacity Feeder



**Assembly 4.2: High Capacity Feeder**

<b>Asm-Index</b>	<b>Part Number</b>	<b>Units</b>	<b>Description</b>
1	12G4125	1	SWITCH ASM, PAPER SIZE TR 3
2	12G4126	1	SWITCH ASM, PAPER SIZE TR4, 5
3	12G4124	1	GUIDE ASM, FRONT TR4
4	12G4127	1	MOTOR ASM, TRAY 4, 5

### Assembly 4.3: High Capacity Feeder

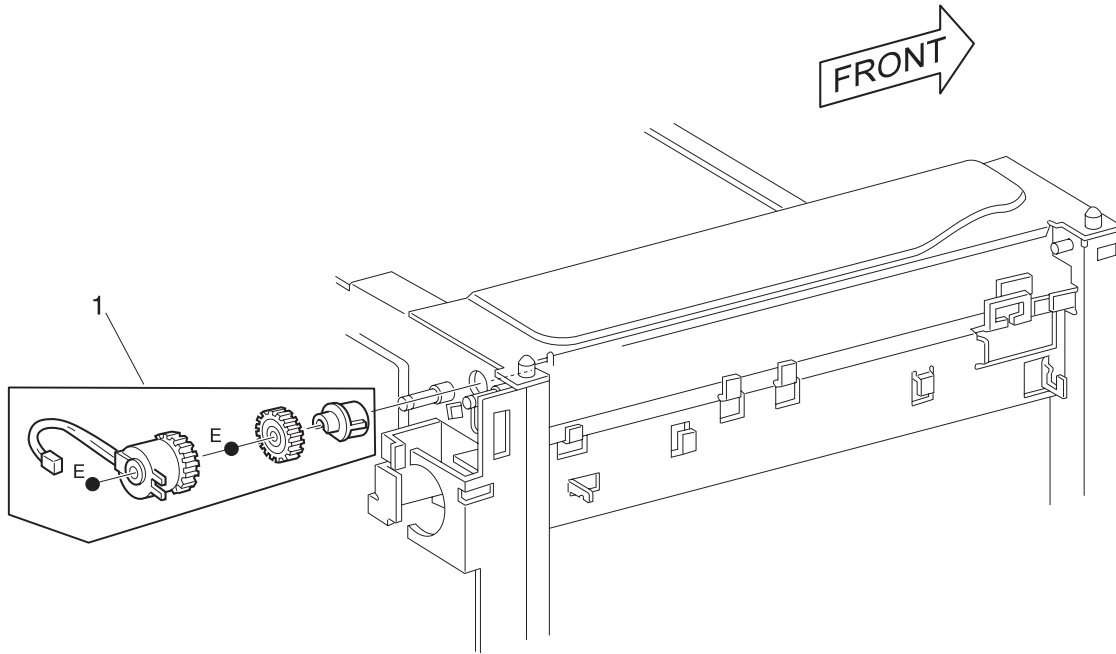


**Assembly 4.3: High Capacity Feeder**

<b>Asm-Index</b>	<b>Part Number</b>	<b>Units</b>	<b>Description</b>
1	12G4128	1	STOP, LINK TRAY 4
2	12G4129	1	GUIDE, FRONT RT



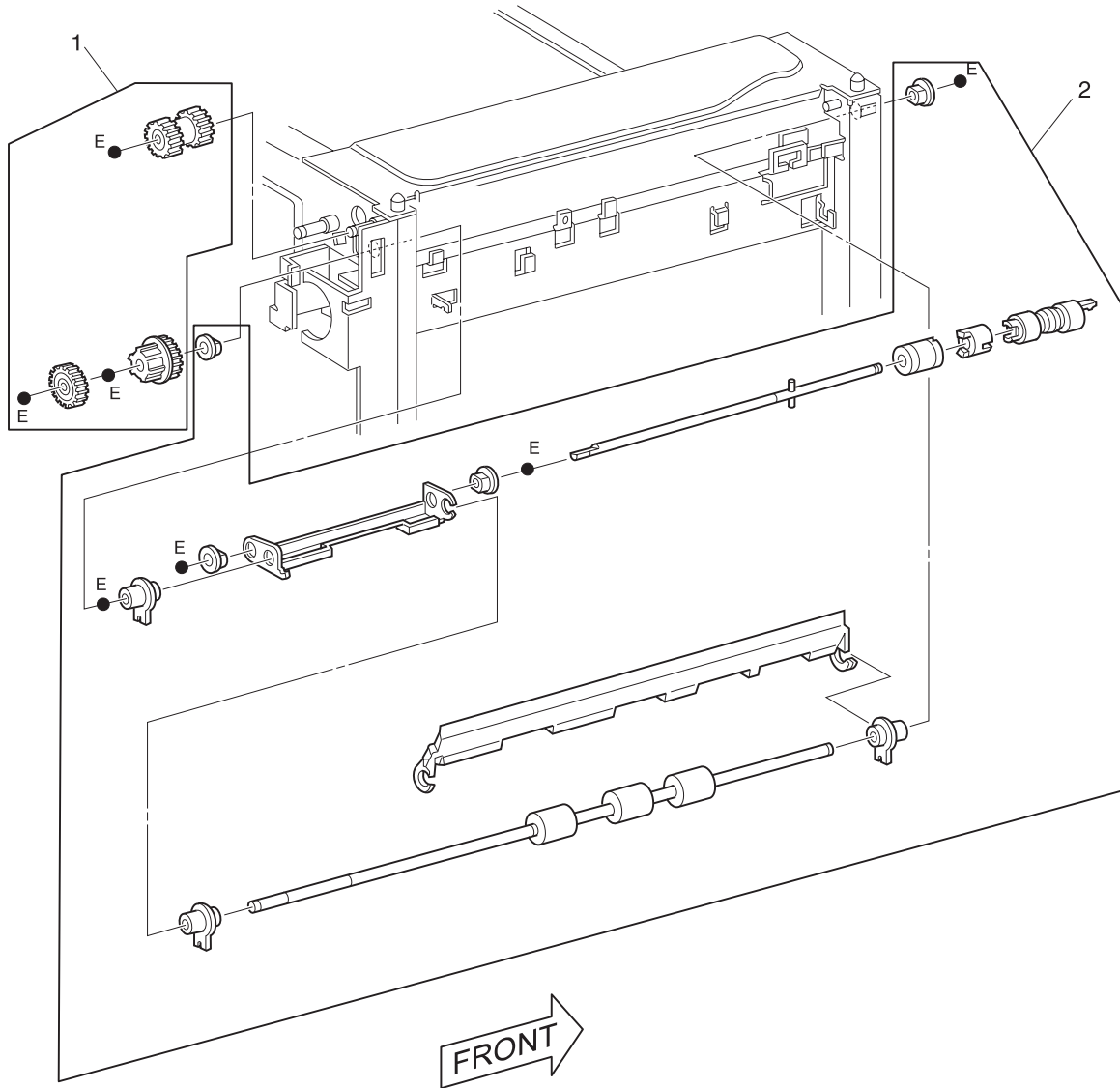
### Assembly 4.4: High Capacity Feeder



**Assembly 4.4: High Capacity Feeder**

<b>Asm-Index</b>	<b>Part Number</b>	<b>Units</b>	<b>Description</b>
1	12G4130	1	KIT, TRAY 3 CLUTCH

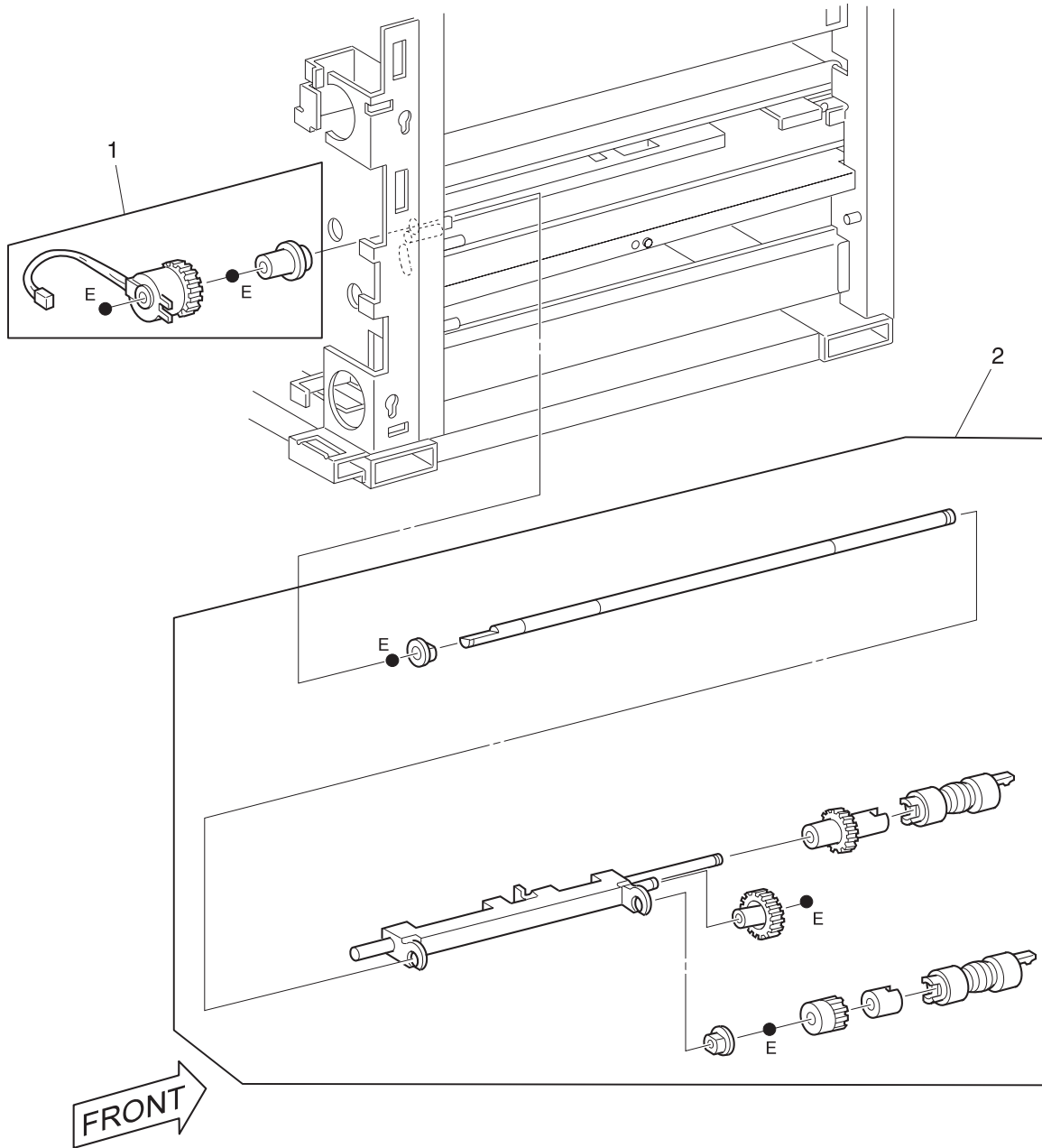
### Assembly 4.5: High Capacity Feeder



**Assembly 4.5: High Capacity Feeder**

<b>Asm-Index</b>	<b>Part Number</b>	<b>Units</b>	<b>Description</b>
1	12G4131	1	KIT, GEAR TAKE AWAY 3
2	12G4132	1	KIT, RETARD TAKE AWAY 3

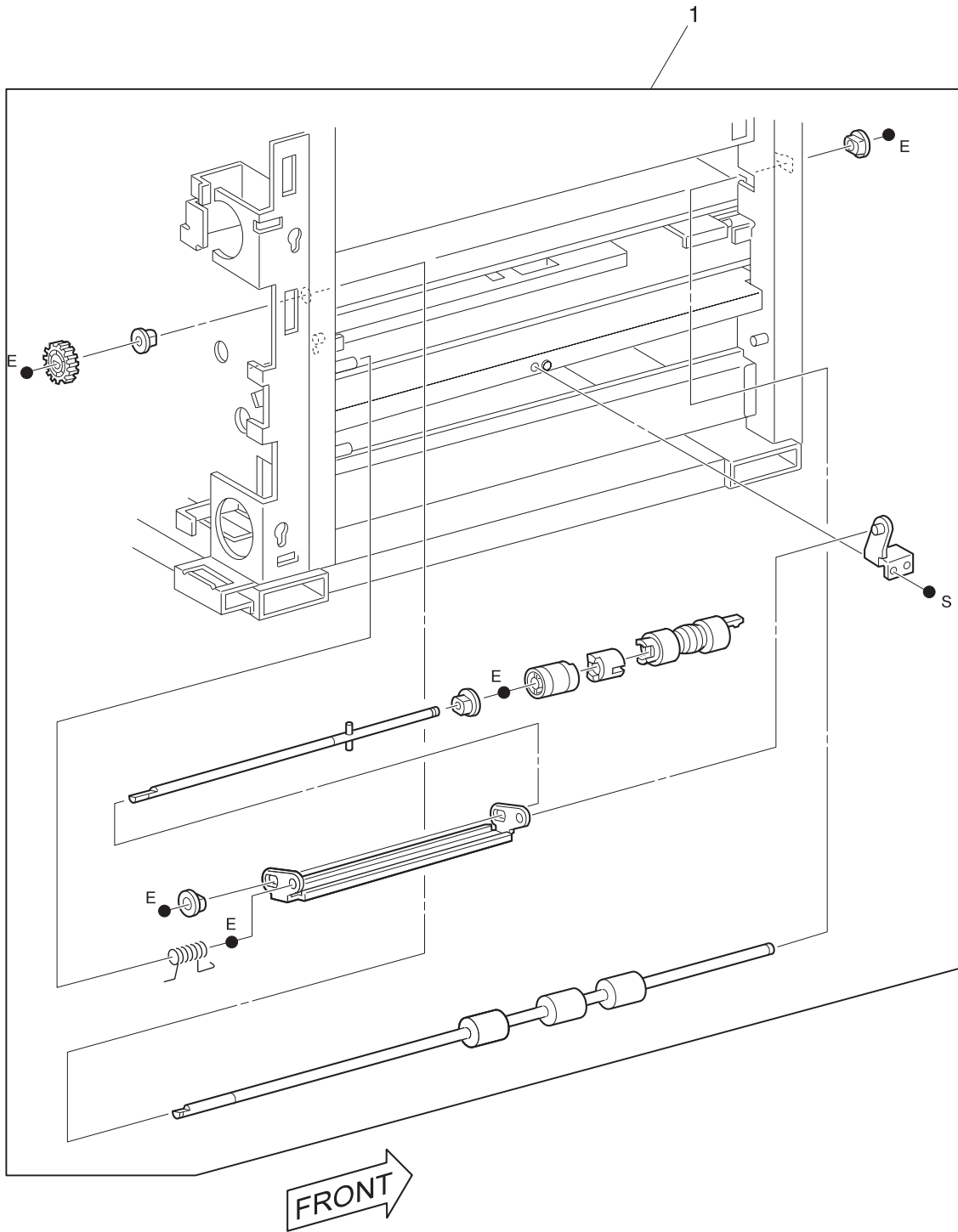
### Assembly 4.6: High Capacity Feeder



**Assembly 4.6: High Capacity Feeder**

<b>Asm-Index</b>	<b>Part Number</b>	<b>Units</b>	<b>Description</b>
1	12G4134	1	KIT, PAPER PICKUP
2	12G4133	1	FEEDER, HCF ASSEMBLY

### Assembly 4.7: High Capacity Feeder

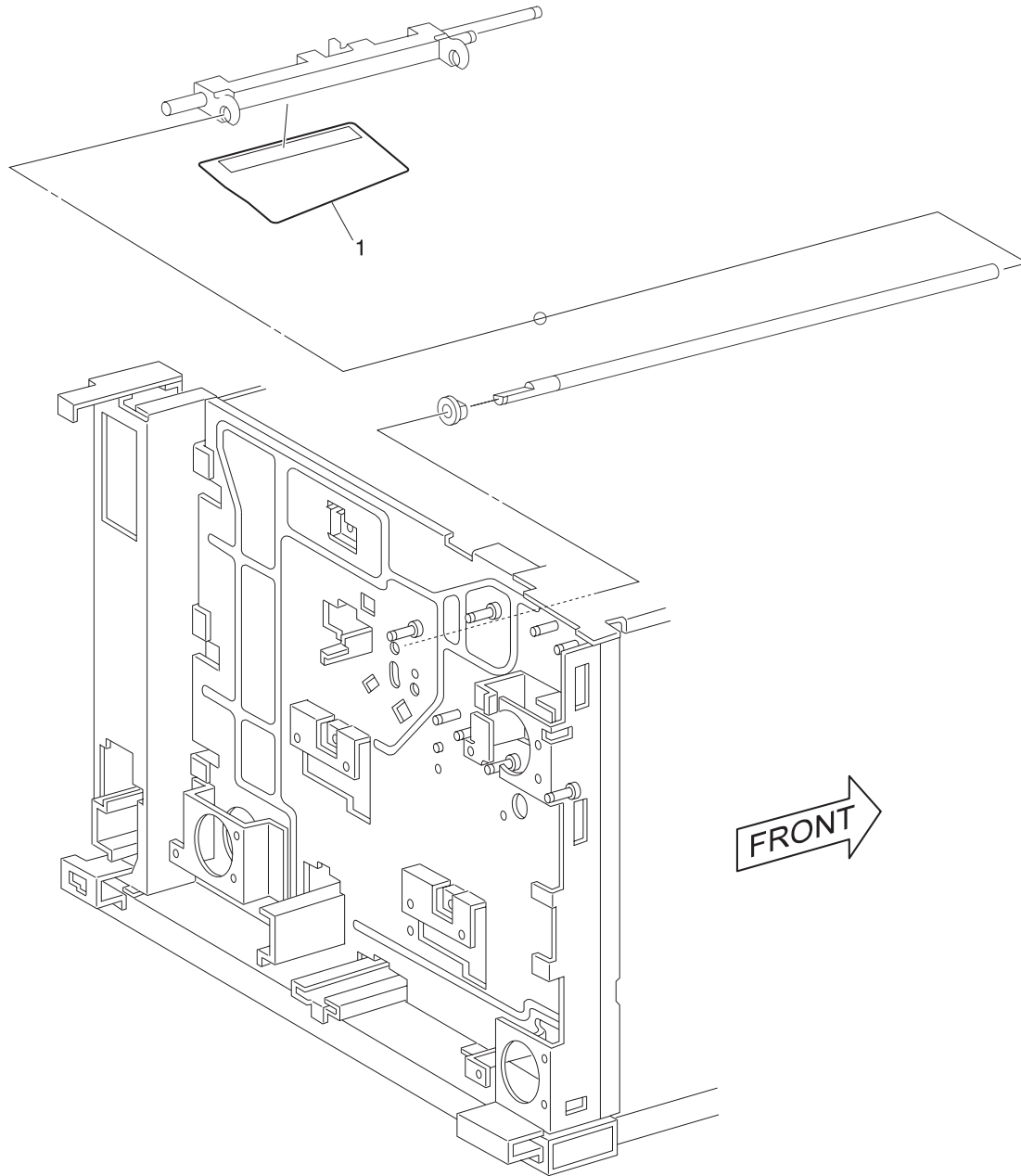


**Assembly 4.7: High Capacity Feeder**

<b>Asm-Index</b>	<b>Part Number</b>	<b>Units</b>	<b>Description</b>
1	12G4135	1	KIT, RETARD TAKE AWAY TR4



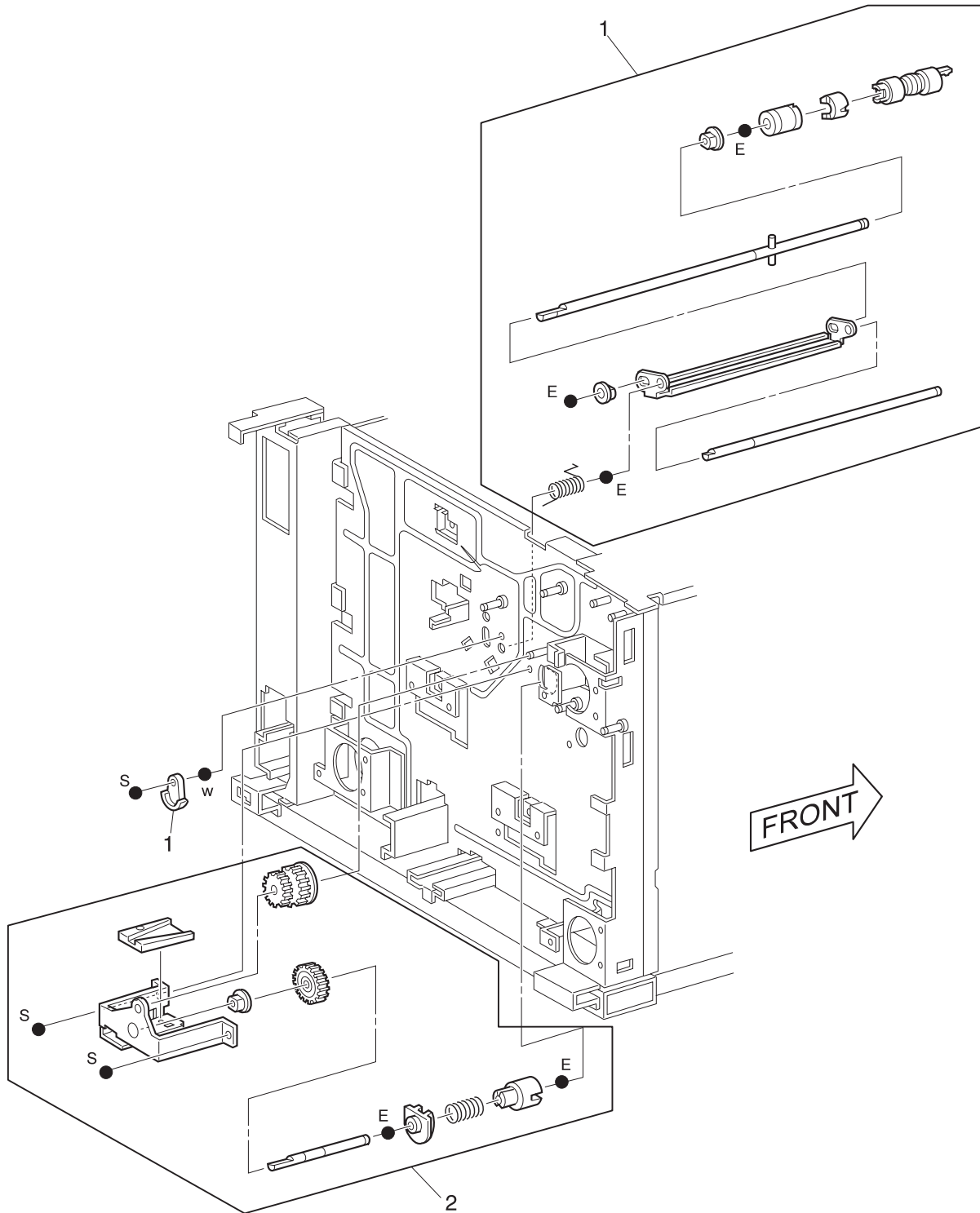
### Assembly 4.8: High Capacity Feeder



**Assembly 4.8: High Capacity Feeder**

<b>Asm-Index</b>	<b>Part Number</b>	<b>Units</b>	<b>Description</b>
1	12G4136	1	GUIDE, PAPER

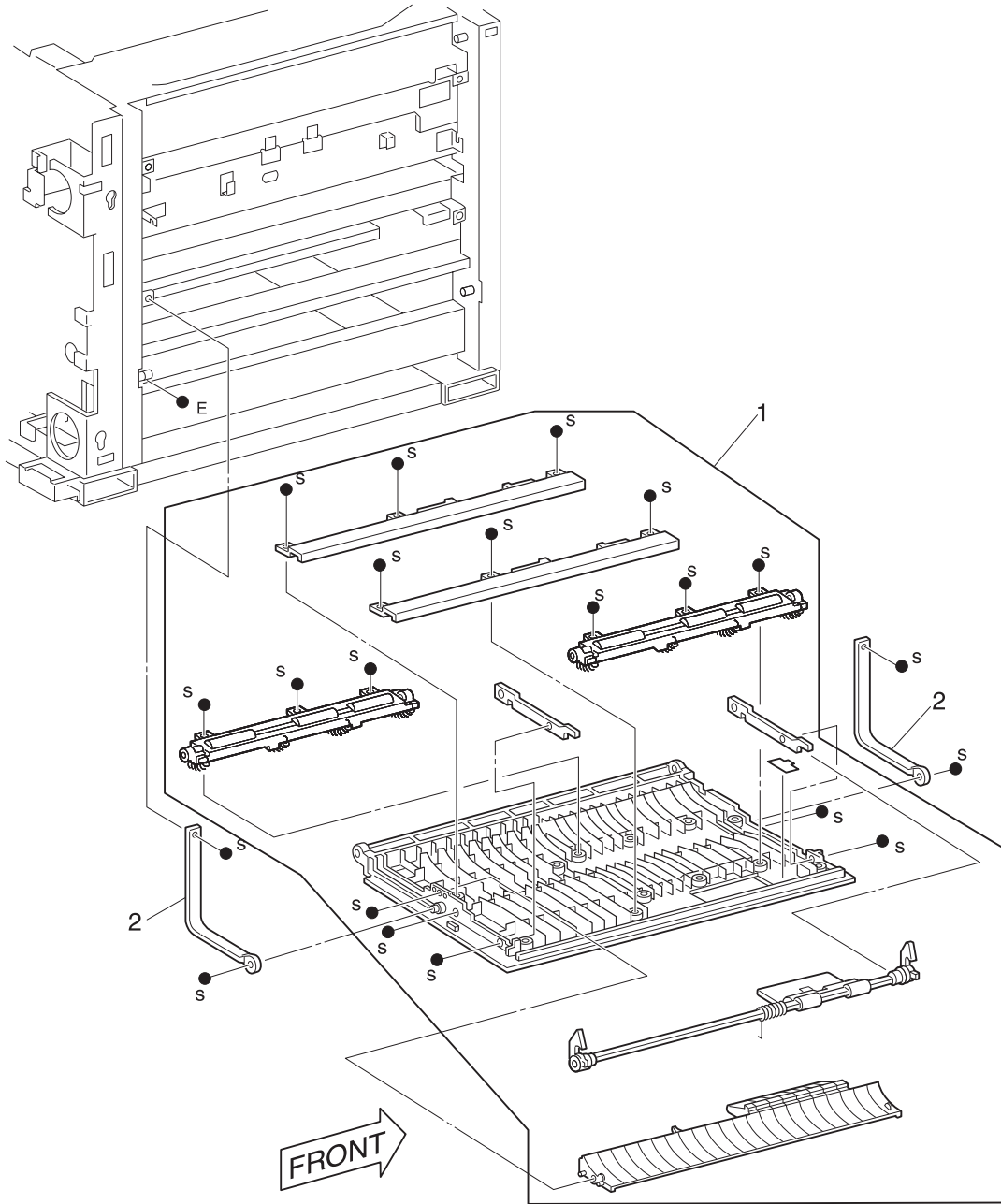
### Assembly 4.9: High Capacity Feeder



**Assembly 4.9: High Capacity Feeder**

<b>Asm-Index</b>	<b>Part Number</b>	<b>Units</b>	<b>Description</b>
1	12G4137	1	KIT, TAKE AWAY TR 5
2	12G4138	1	KIT, RETARD TAKE AWAY TR 5

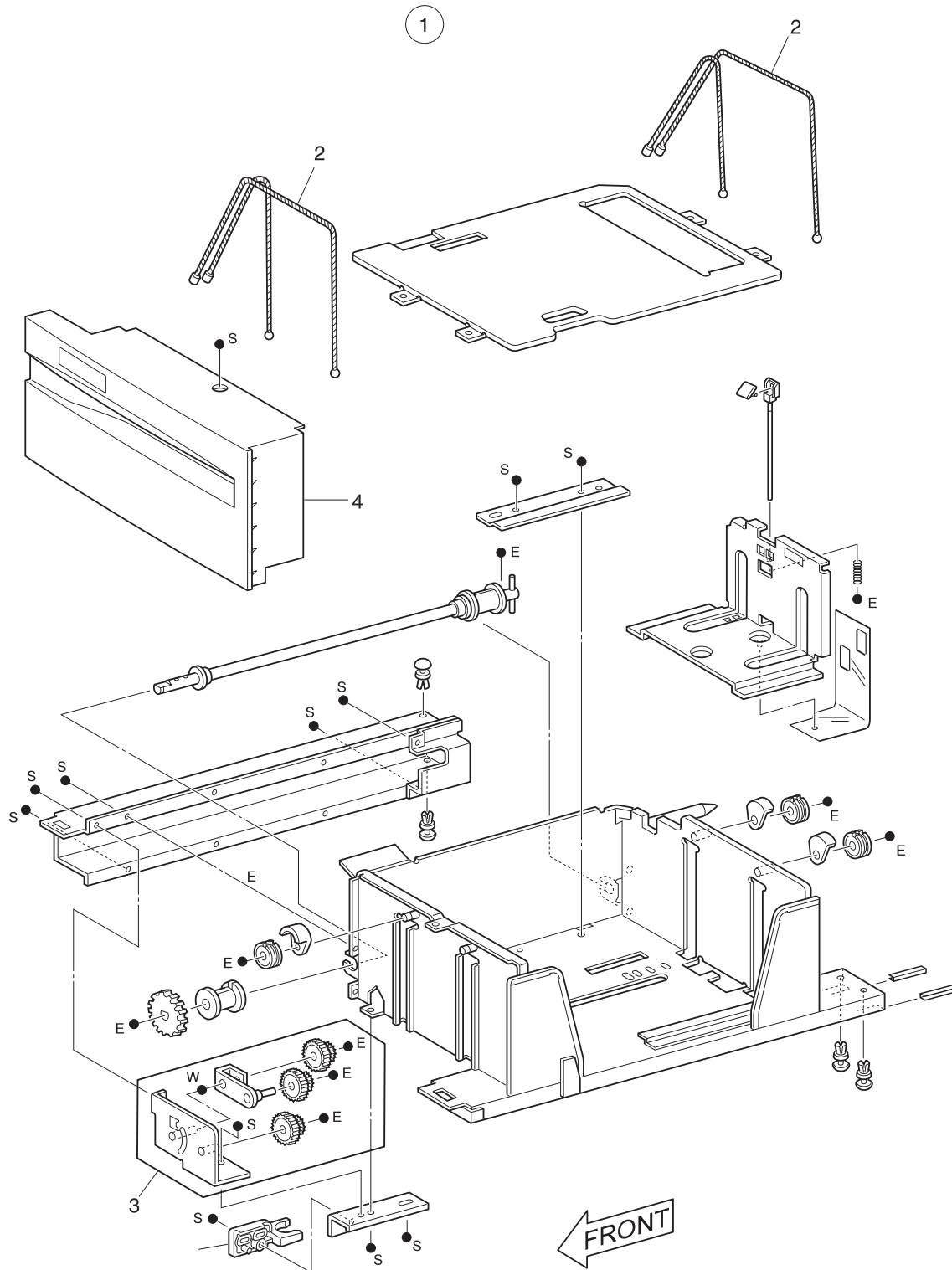
### Assembly 4.10: High Capacity Feeder



**Assembly 4.10: High Capacity Feeder**

<b>Asm-Index</b>	<b>Part Number</b>	<b>Units</b>	<b>Description</b>
1	12G4139	1	COVER ASM, LH
2	12G4140	1	SUPPORT, COVER LH

# Assembly 4.11: High Capacity Feeder

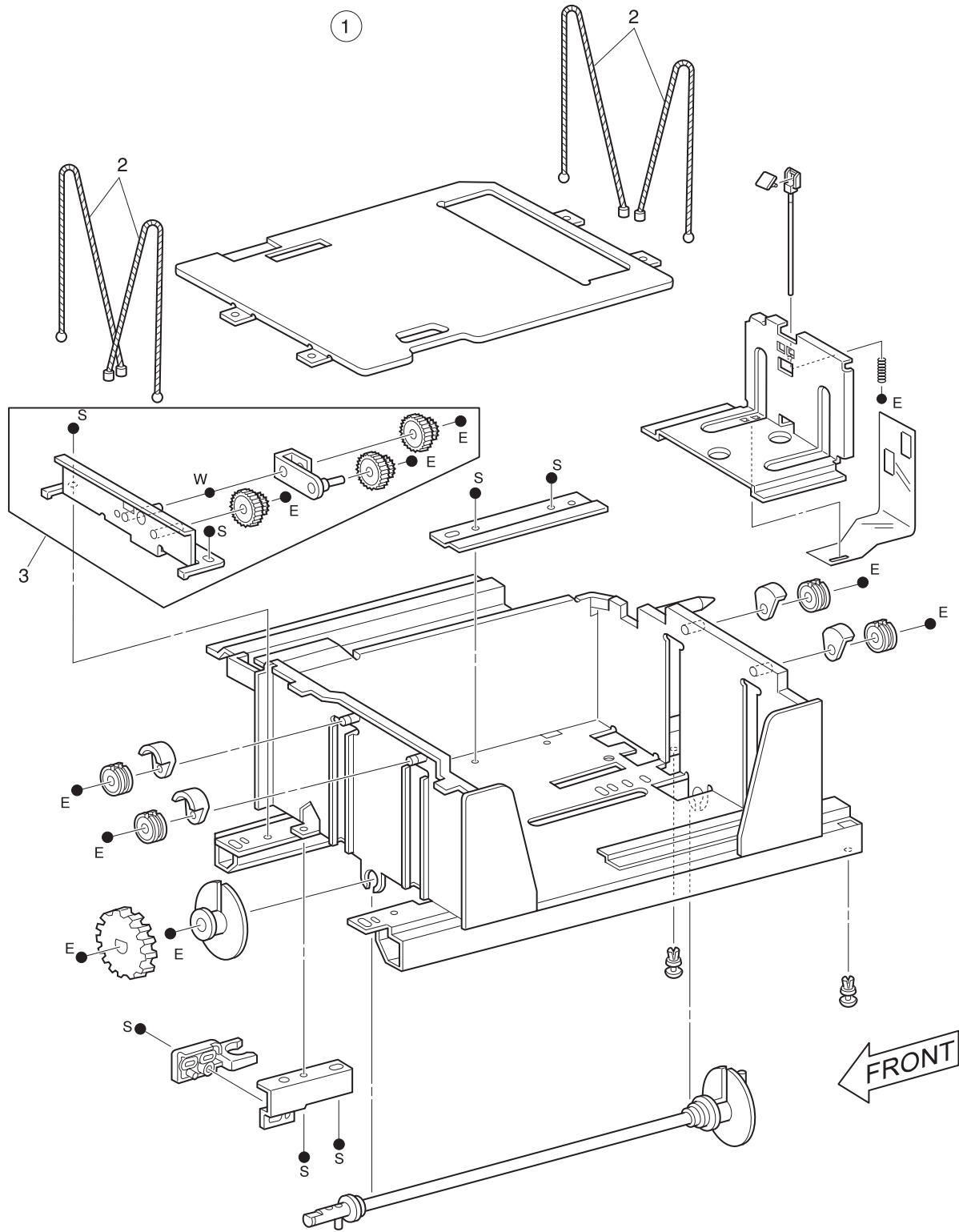


**Assembly 4.11: High Capacity Feeder**

<b>Asm-Index</b>	<b>Part Number</b>	<b>Units</b>	<b>Description</b>
1	12G4141	1	TRAY ASSEMBLY
2	12G4144	1	KIT, TRAY 4 CABLES
3	12G4142	1	BRAKE BRACKET ASSEMBLY
4	12G4143	1	COVER ASSEMBLY



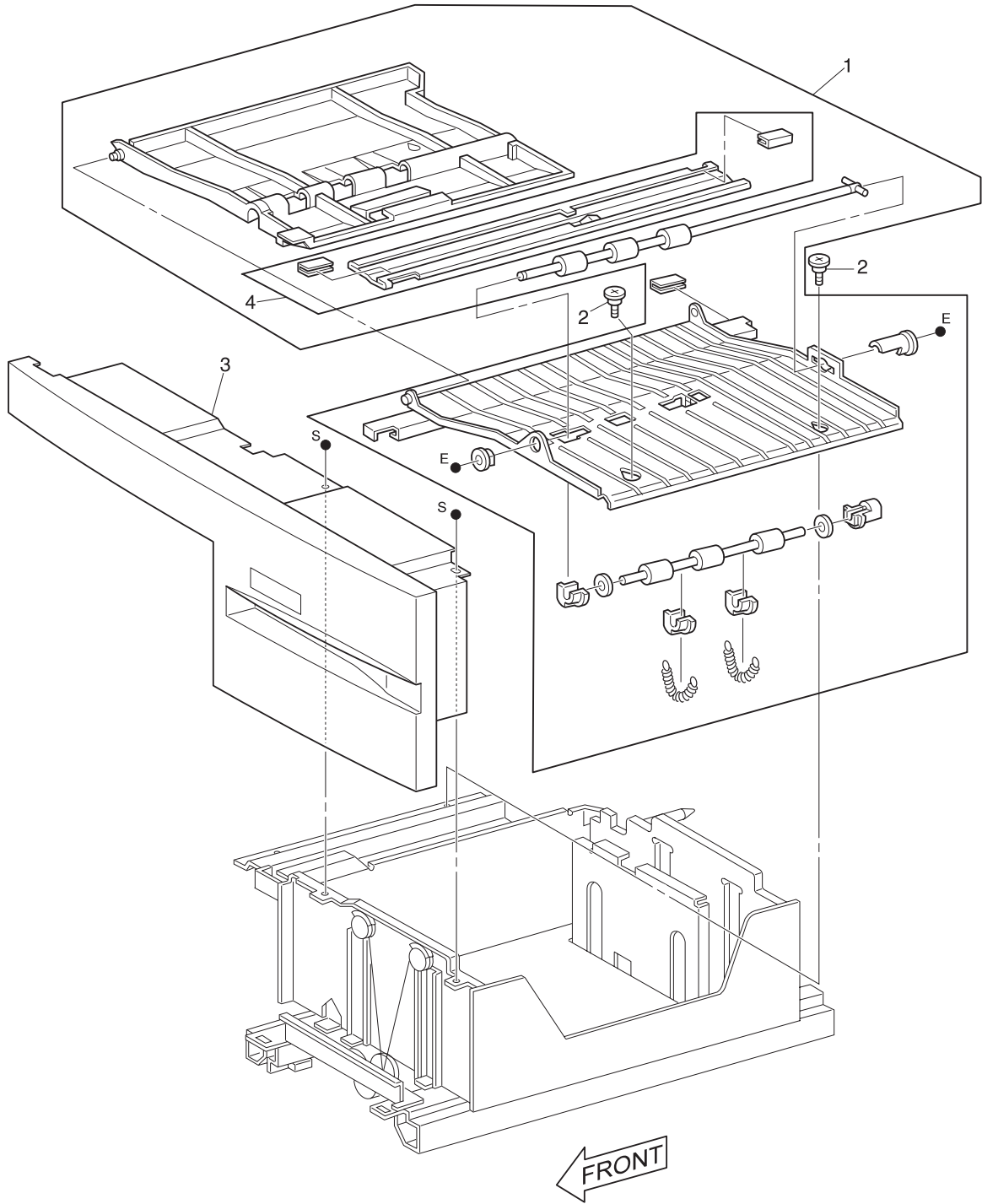
### Assembly 4.12: High Capacity Feeder



**Assembly 4.12: High Capacity Feeder**

<b>Asm-Index</b>	<b>Part Number</b>	<b>Units</b>	<b>Description</b>
1	12G4145	1	TRAY ASSEMBLY
2	12G4147	1	KIT, TRAY 5 CABLES
3	12G4146	1	BRAKE BRACKET ASSEMBLY

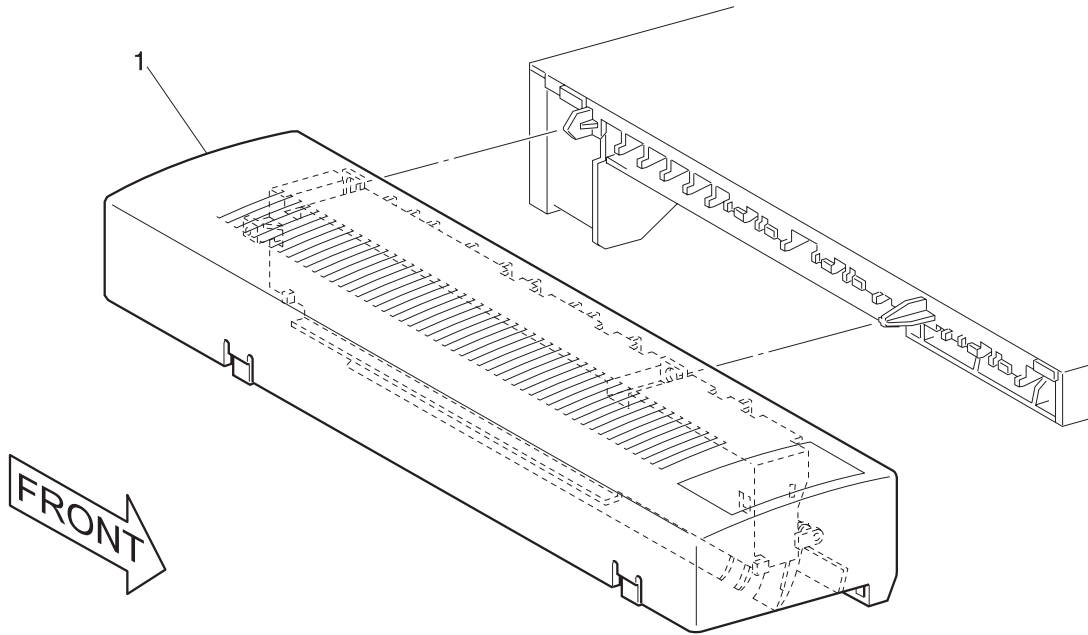
### Assembly 4.13: High Capacity Feeder



**Assembly 4.13: High Capacity Feeder**

<b>Asm-Index</b>	<b>Part Number</b>	<b>Units</b>	<b>Description</b>
1	12G4148	1	TRANSPORT ASSEMBLY
2	12G4149	1	SCREW M3
3	12G4150	1	COVER ASSEMBLY
4	12G4151	1	KIT, SLIDE BAR

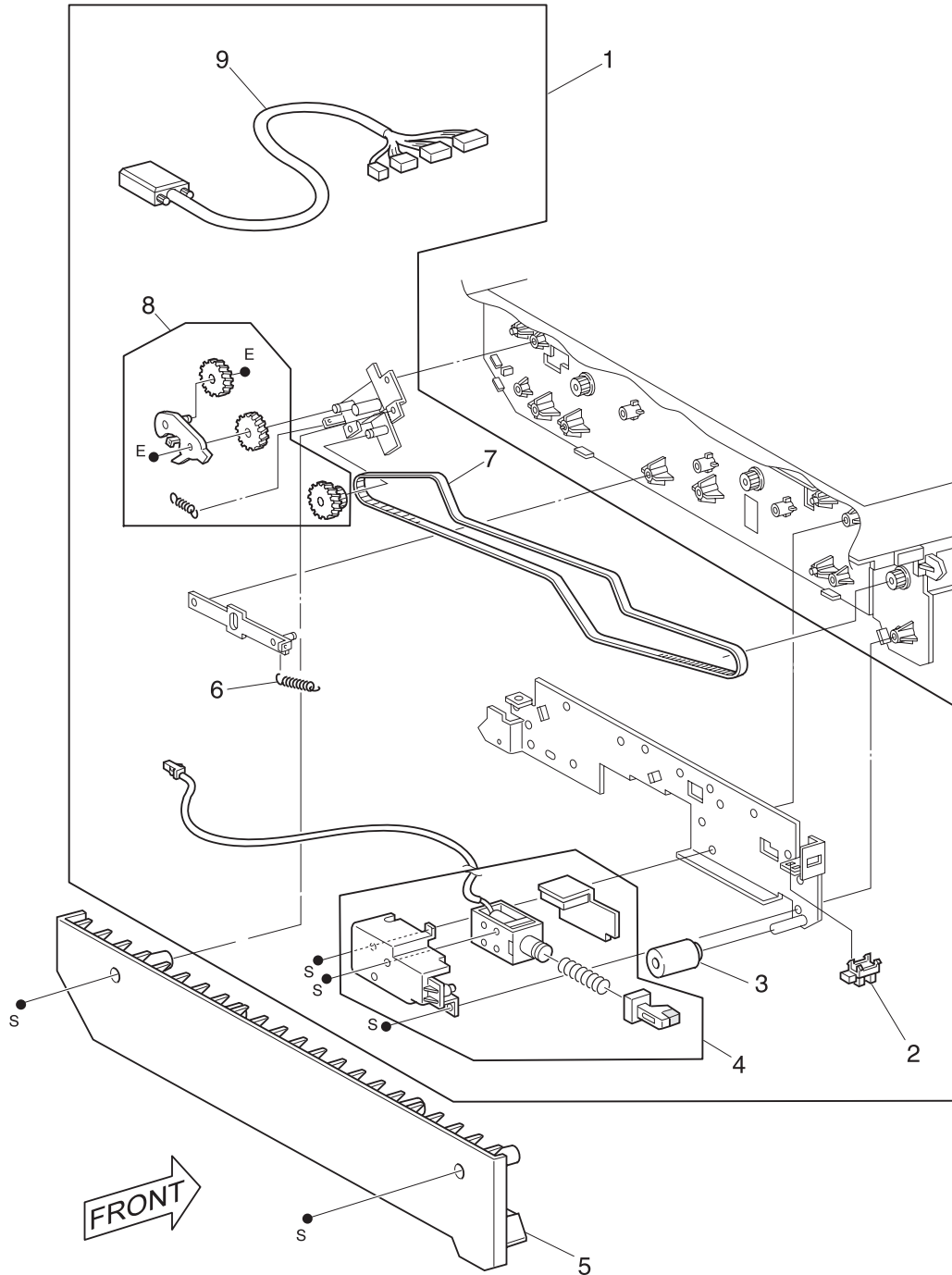
**Assembly 1: Top Cover**



**Assembly 1: Top Cover**

<b>Ref</b>	<b>Part Number</b>	<b>Units</b>	<b>Description</b>
1-1	12G4232	1	Cover, Top

### Assembly 2: Frame Transport, Rear

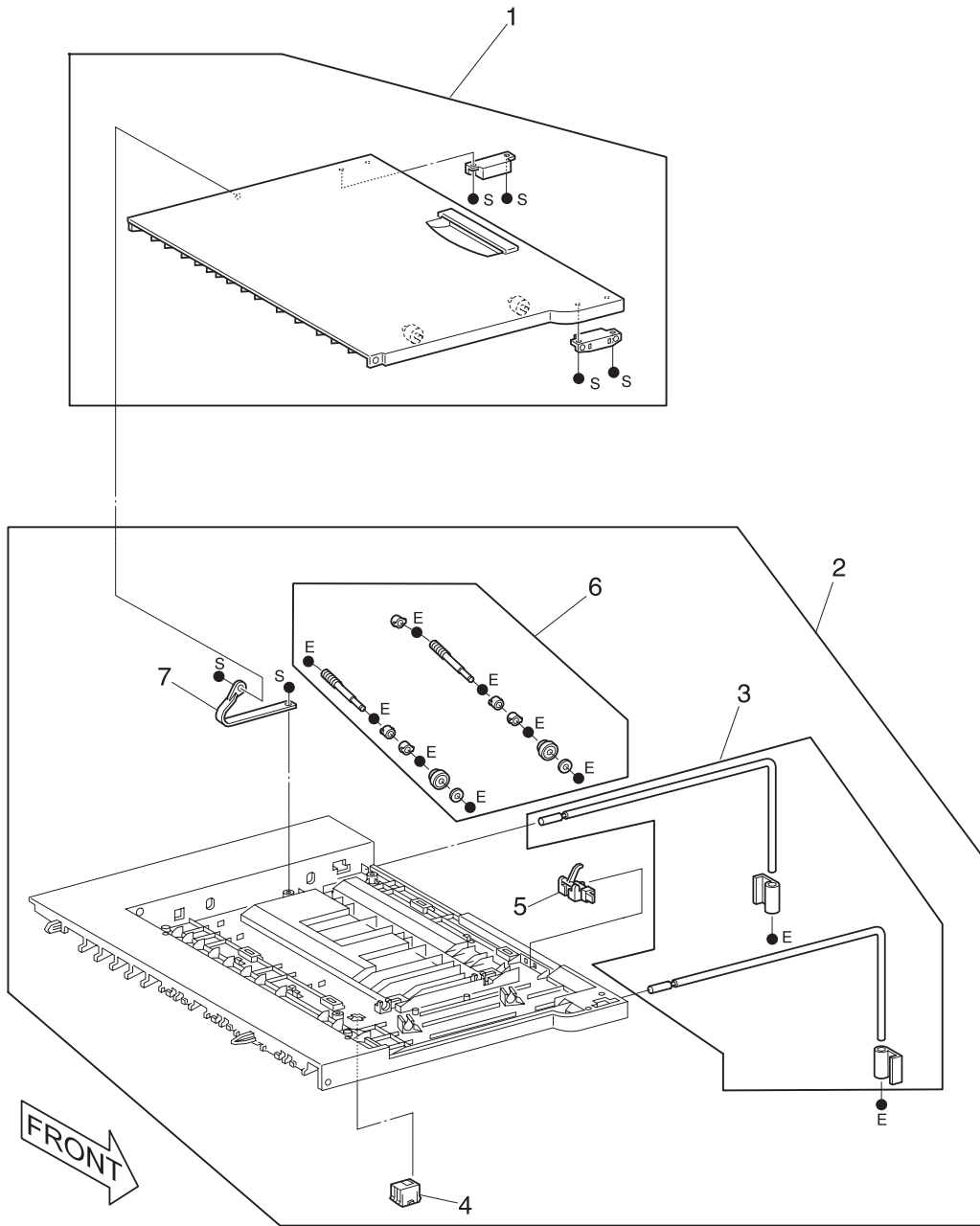


**Assembly 2: Frame Transport, Rear**

<b>Ref</b>	<b>Part Number</b>	<b>Units</b>	<b>Description</b>
2 - 1	12G4239	1	Transport Assembly
2	12G4237	1	Sensor, Transport
3	12G4236	1	Roller, Transport
4	12G4241	1	Gate, Solenoid
5	12G4233	1	Cover, Rear
6	12G4235	1	Spring, Tension
7	12G4234	1	Belt, Synchronous
8	12G4240	1	Kit, Gear
9	12G4238	1	Harness, Transport



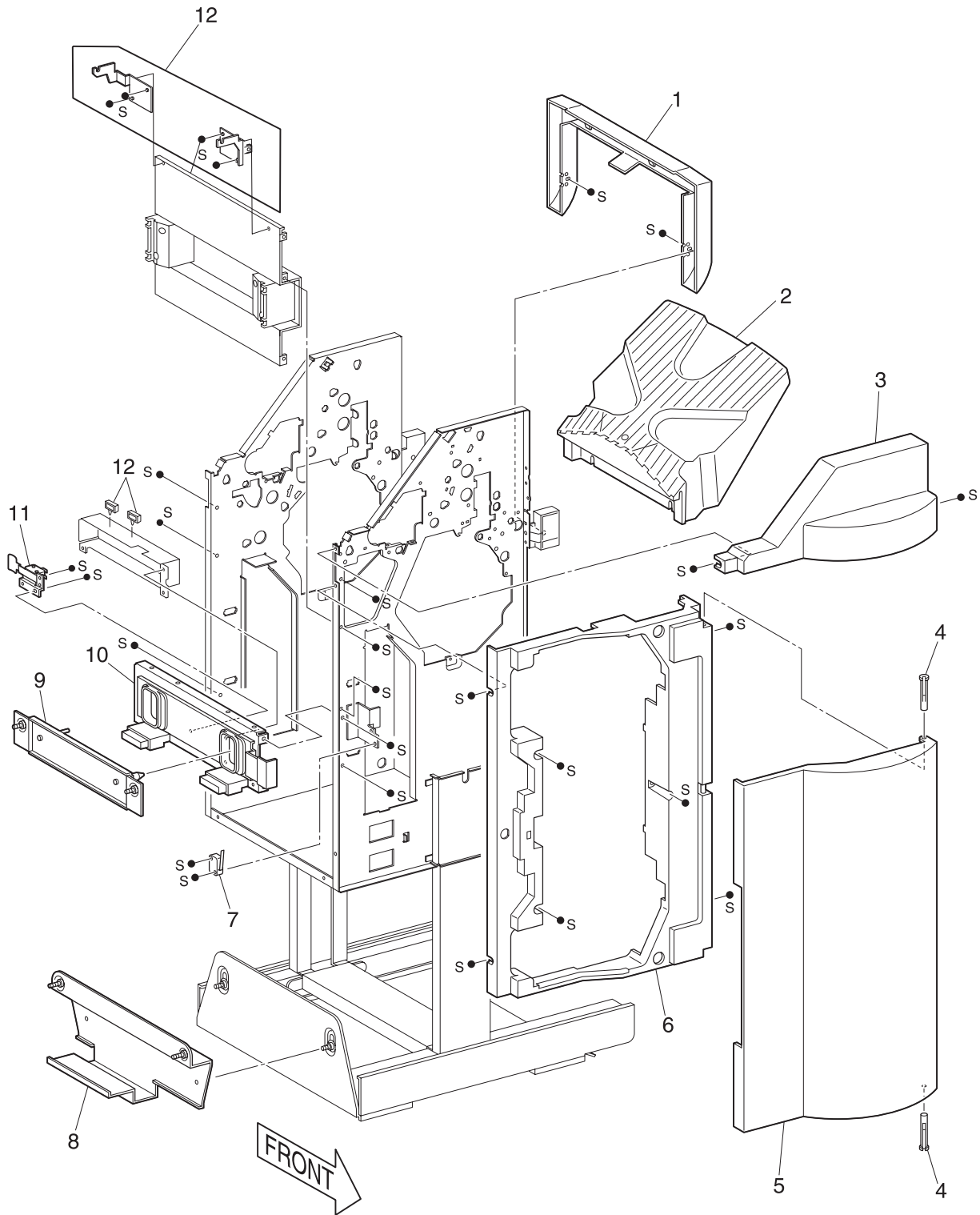
### Assembly 3: Frame Transport, Open



**Assembly 3: Frame Transport, Open**

<b>Ref</b>	<b>Part Number</b>	<b>Units</b>	<b>Description</b>
3 - 1	12G4242	1	Cover, Top
2	12G4247	1	Transport Assembly
3	12G4246	1	Shaft, Transport
4	12G4245	1	Sensor, Full
5	12G4244	1	Sensor, Transport
6	12G4248	1	Aligner, Roller
7	12G4243	1	Support, Cover

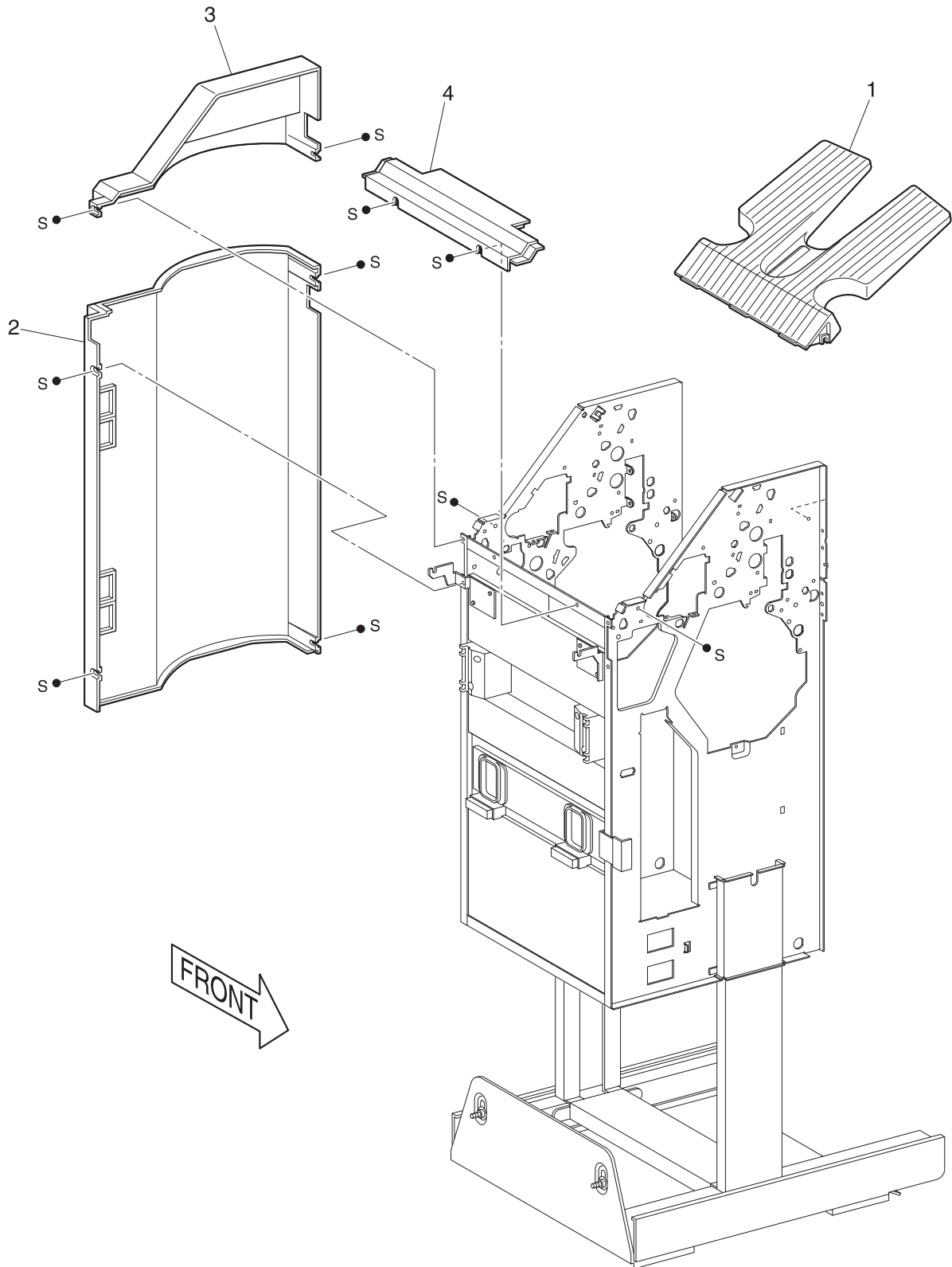
### Assembly 4: Docking Parts, Front Cover, Top Tray



**Assembly 4: Docking Parts, Front Cover, Top Tray**

<b>Ref</b>	<b>Part Number</b>	<b>Units</b>	<b>Description</b>
4 - 1	12G4249	1	Cover, Jogging
2	12G4250	1	Tray, Lower
3	12G4251	1	Cover, Top
4	12G4260	2	Cover, Stud
5	12G4252	1	Cover, Front
6	12G4253	1	Cover, Front Mount
7	12G4254	1	Switch, Cover
8	12G4255	1	Bracket Assembly
9	12G4256	1	Bracket, Pin
10	12G4257	1	Latch Assembly
11	12G4258	1	Switch Assembly, Docking
12	12G4259	1	Bracket, Transport H

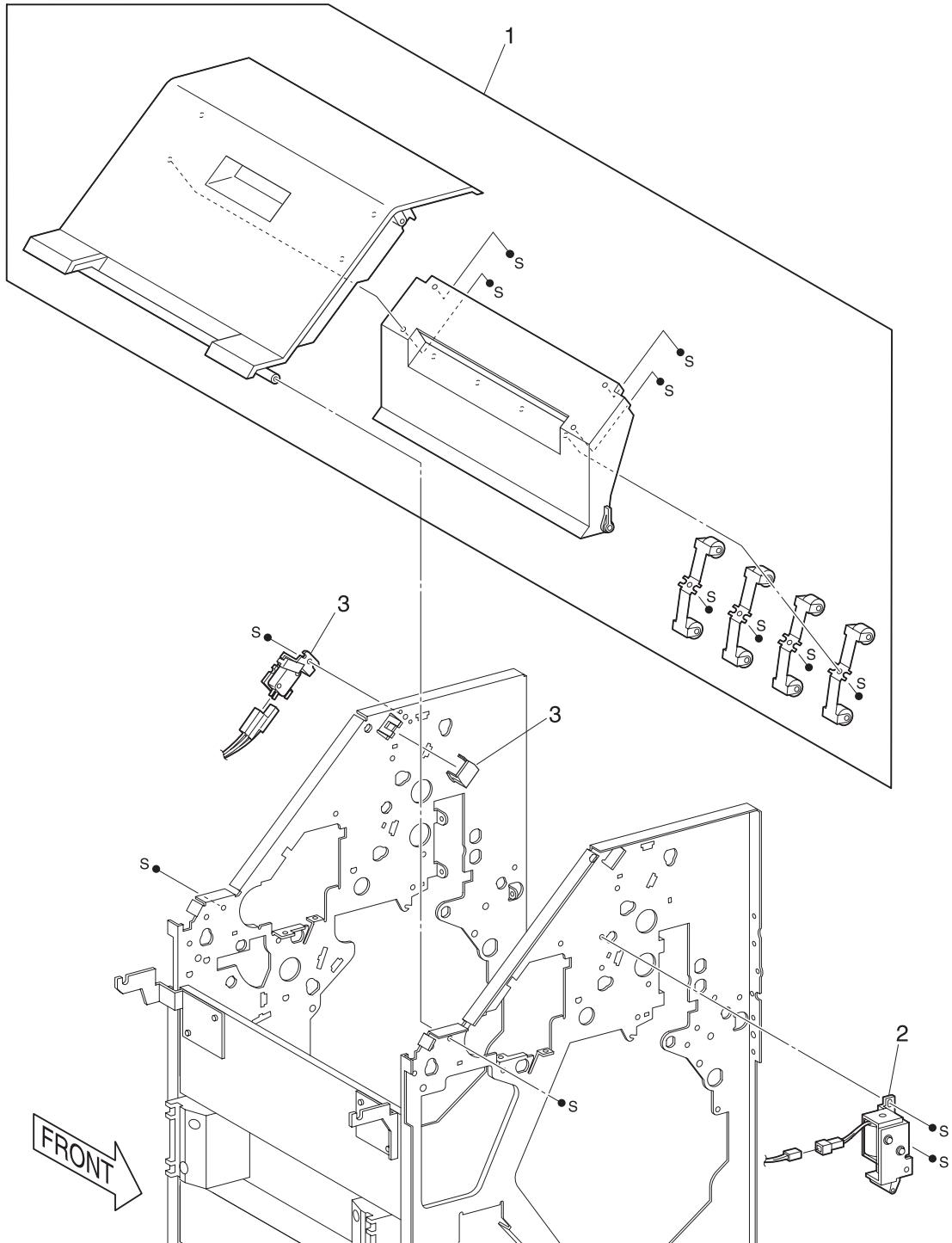
### Assembly 5: Rear Cover



**Assembly 5: Rear Cover**

<b>Ref</b>	<b>Part Number</b>	<b>Units</b>	<b>Description</b>
5 - 1	12G4264	1	Tray, Face Up
2	12G4261	1	Cover, Rear
3	12G4262	1	Cover, Top Rear
4	12G4263	1	Cover, Top Left

Assembly 6: Chute 1



**Assembly 6: Chute 1**

<b>Ref</b>	<b>Part Number</b>	<b>Units</b>	<b>Description</b>
6 - 1	12G4267	1	Cover Assembly, Top
2	12G4265	1	Gate, Solenoid
3	12G4266	1	Switch Assembly, Finisher

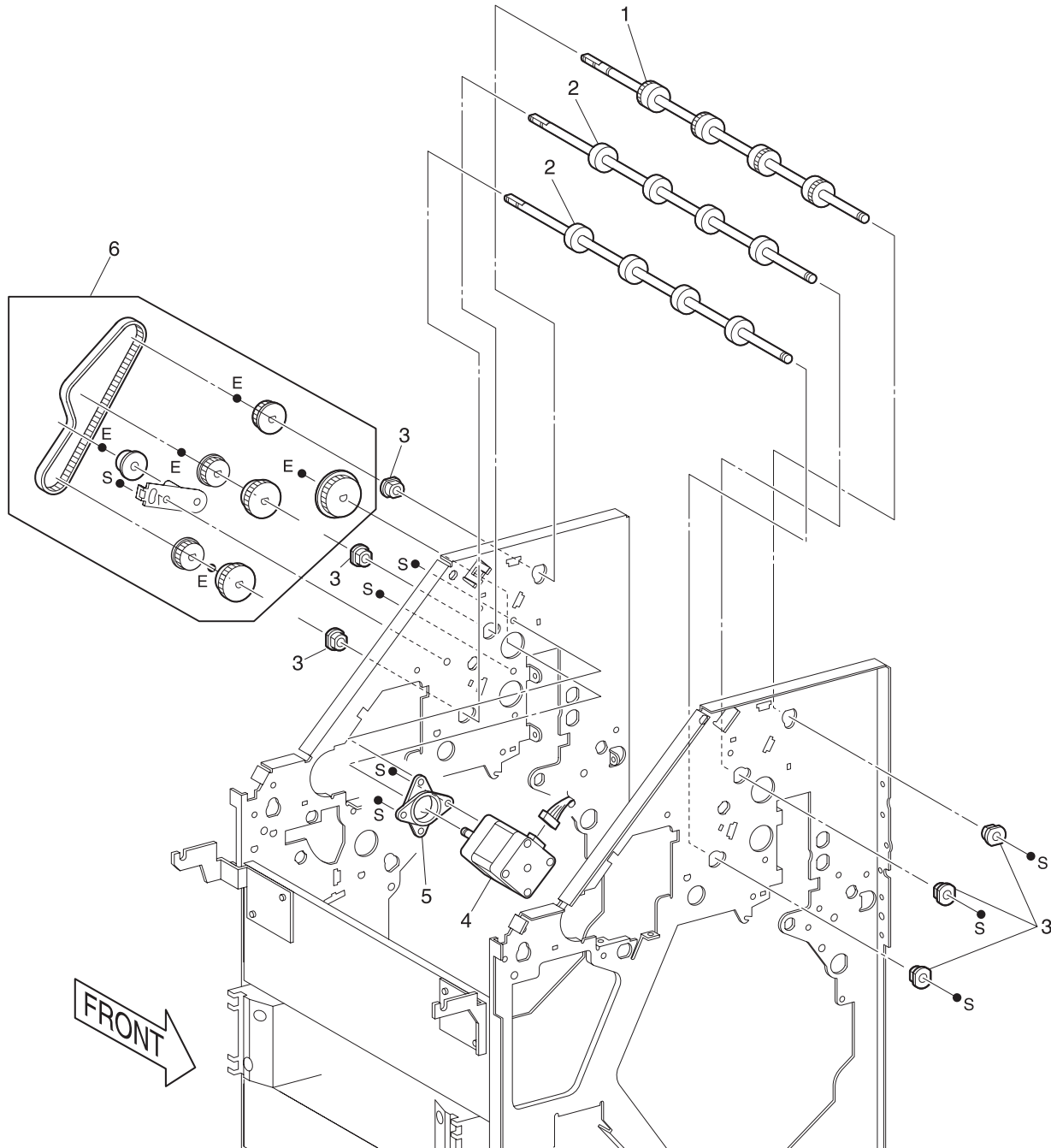




**Assembly 7: Chute 2**

<b>Ref</b>	<b>Part Number</b>	<b>Units</b>	<b>Description</b>
7 - 1	12G4270	1	Sensor, Exit BM
2	12G4268	1	Sensor, Full Stack
3	12G4269	2	Sensor, Exit

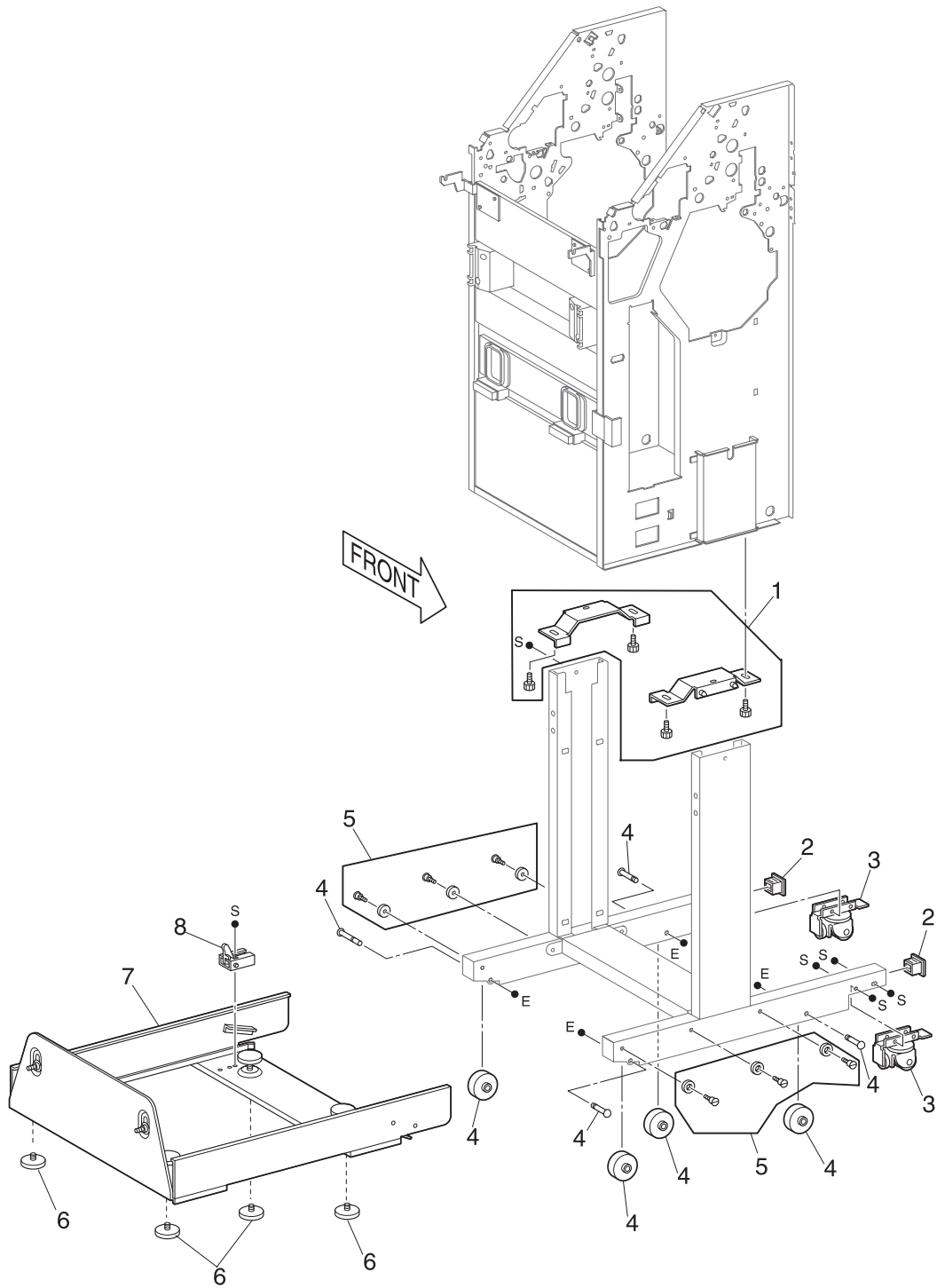
### Assembly 8: Top Exit



**Assembly 8: Top Exit**

<b>Ref</b>	<b>Part Number</b>	<b>Units</b>	<b>Description</b>
8 - 1	12G4271	1	Roll, Upper
2	12G4272	2	Roll, Transport
3	12G4273	6	Bearing
4	12G4274	1	Motor, Stepping
5	12G4275	1	Stop, Damper
6	12G4276	1	Kit, Gear

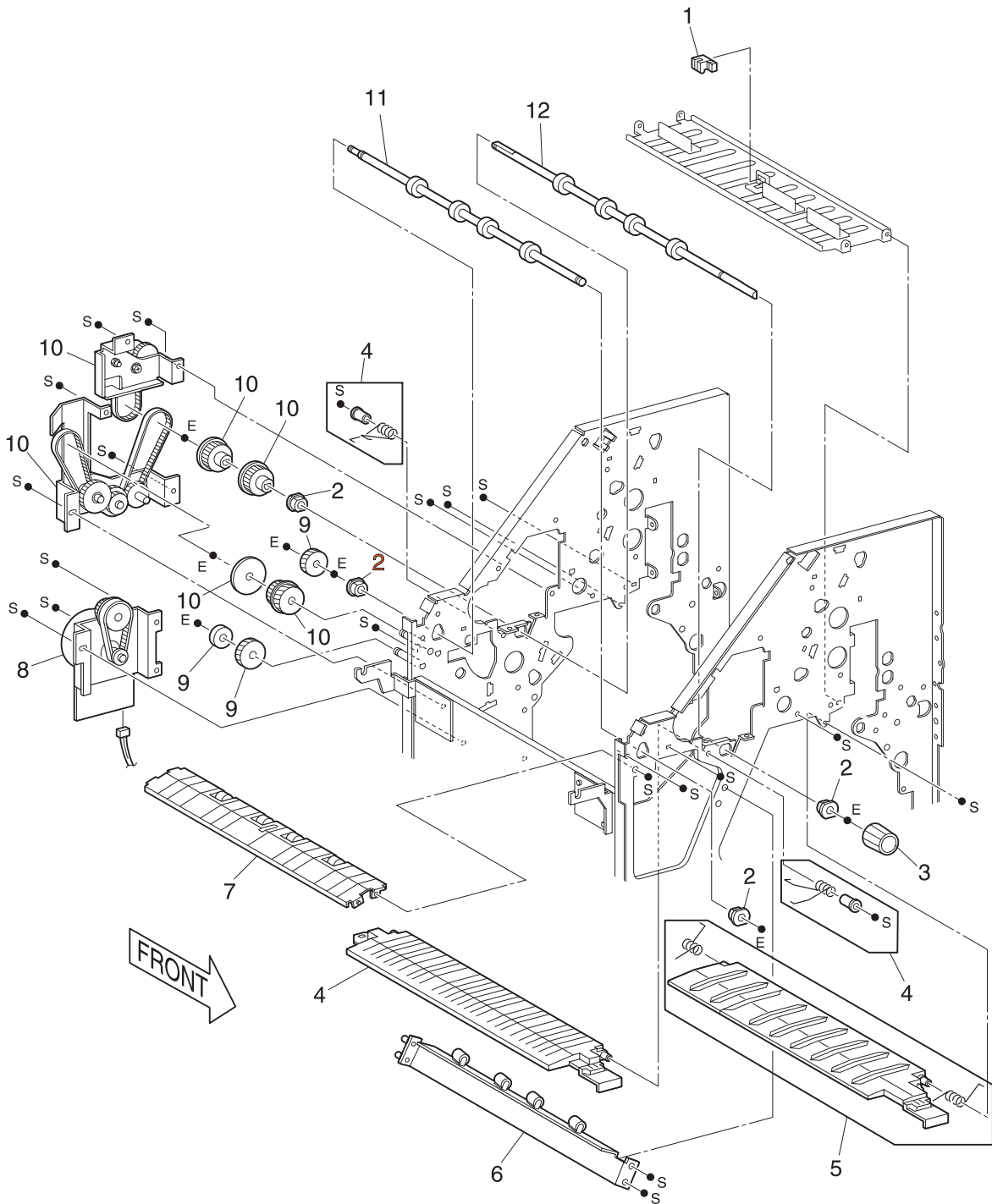
# Assembly 9: Frame



**Assembly 9: Frame**

<b>Ref</b>	<b>Part Number</b>	<b>Units</b>	<b>Description</b>
9 - 1	12G4281	1	Kit, Bracket
2	12G4277	2	Cap, End
3	12G4278	1	Caster Assembly
4	12G4284	4	Kit, Roll L
5	12G4283	1	Kit, Roll
6	12G4282	4	Foot
7	12G4280	1	Frame, Rail
8	12G4279	1	Lever Assembly

# Assembly 10: Guide

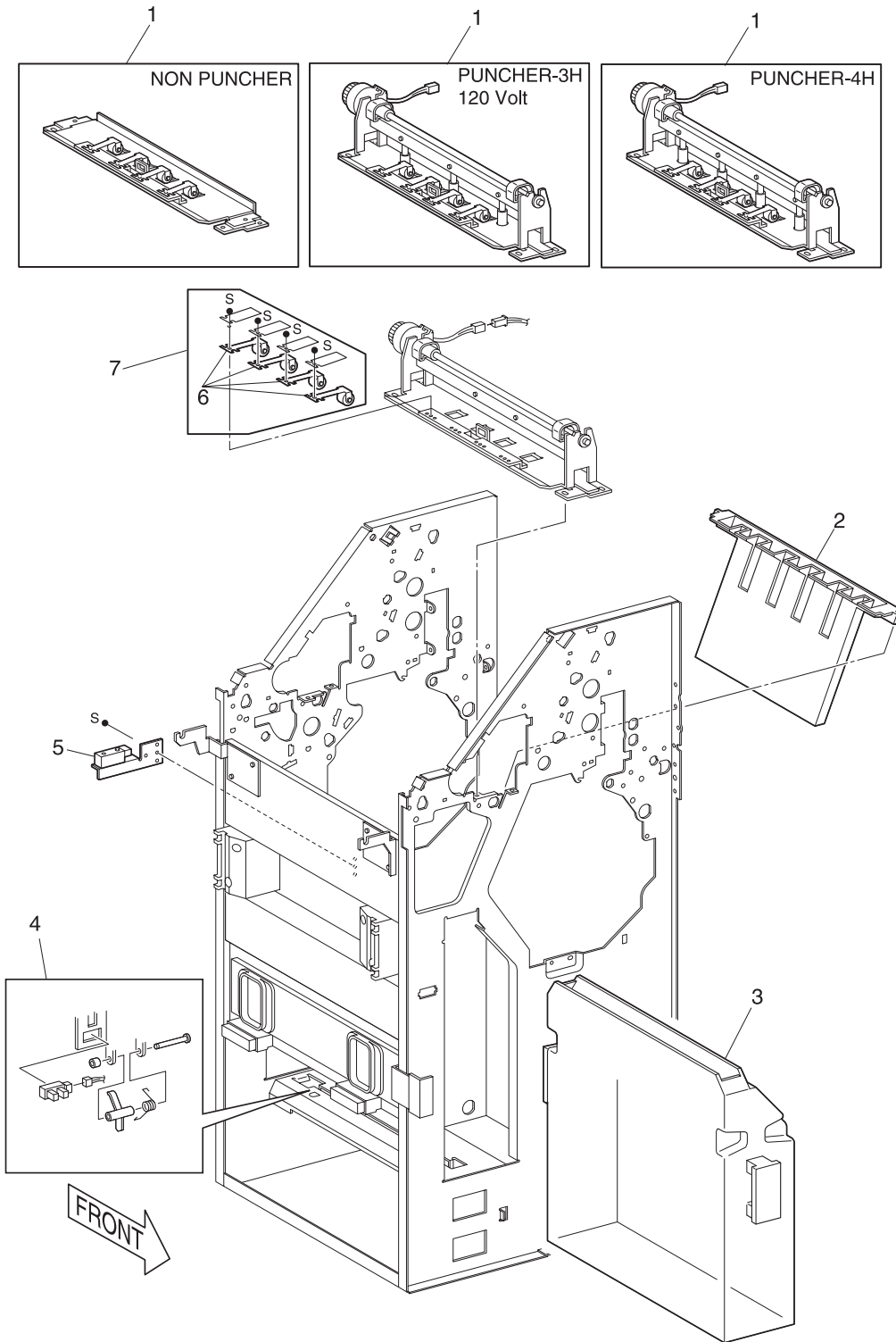


**Assembly 10: Guide**

<b>Ref</b>	<b>Part Number</b>	<b>Units</b>	<b>Description</b>
10 - 1	12G4285	1	Sensor, Guide
2	12G4288	4	Bearing, Guide
3	12G4290	1	Knob, Guide
4	12G4296	1	Inverter, Guide
5	12G4295	1	Buffer, Guide
6	12G4292	1	Blade Assembly
7	12G4289	1	Guide, In
8	12G4291	1	Motor, Transport
9	12G4293	1	Kit, Gear
10	12G4294	1	Drive Assembly
11	12G4287	1	Roll, Transport
12	12G4286	1	Roll, Registration



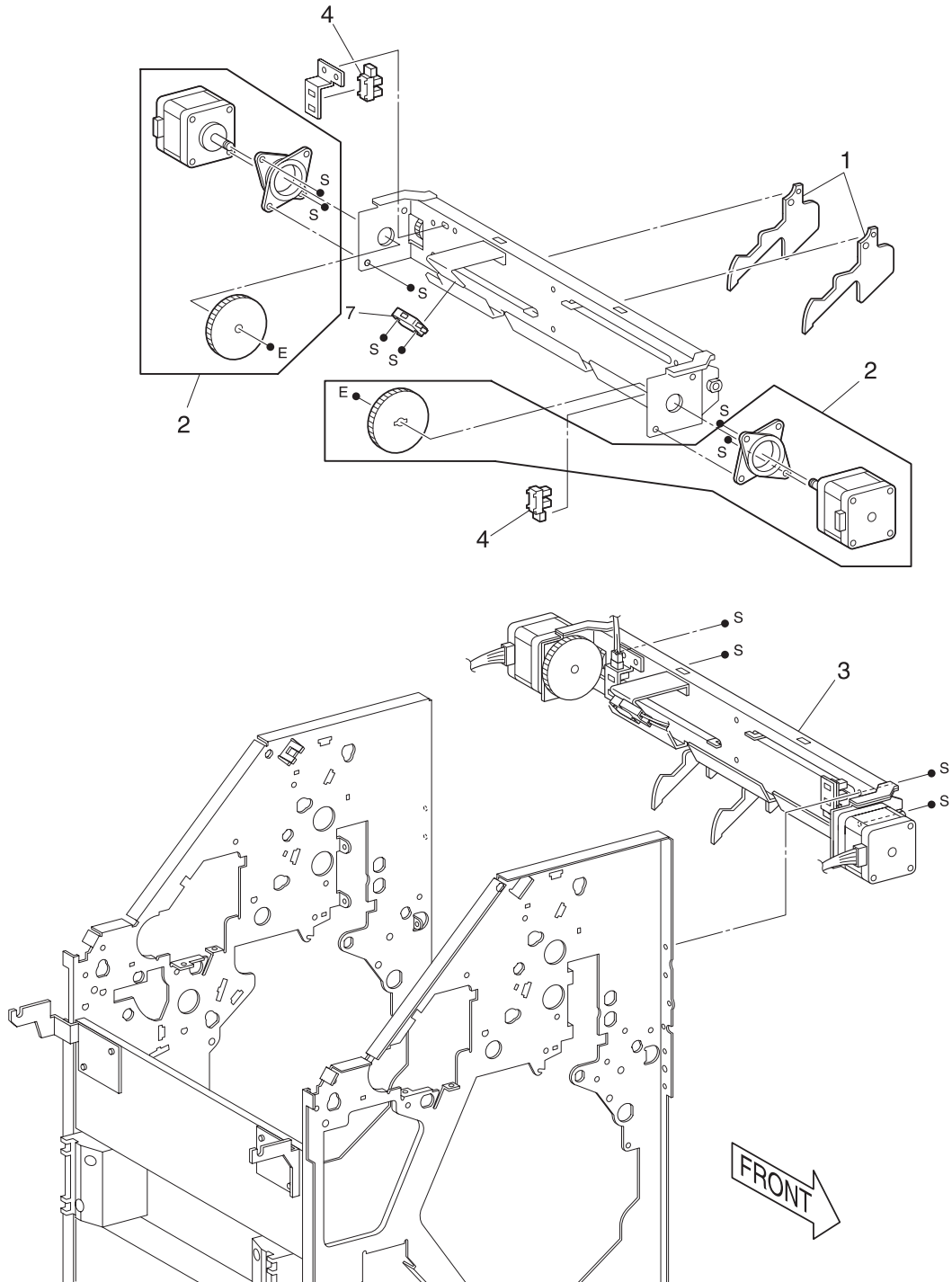
# Assembly 11: Puncher Assembly



**Assembly 11: Puncher Assembly**

<b>Ref</b>	<b>Part Number</b>	<b>Units</b>	<b>Description</b>
11 - 1	12G4297	1	Punch, Non Punch
1	12G4298	1	Punch, 3 Hole
1	12G4299	1	Punch, 4 Hole
2	12G4301	1	Guide Assembly
3	12G4302	1	Bottle, Paper
4	12G4305	1	Sensor, Bottle
5	12G4303	1	Sensor Assembly
6	12G4300	1	Roll, Pinch
7	12G4304	1	Feed Assembly

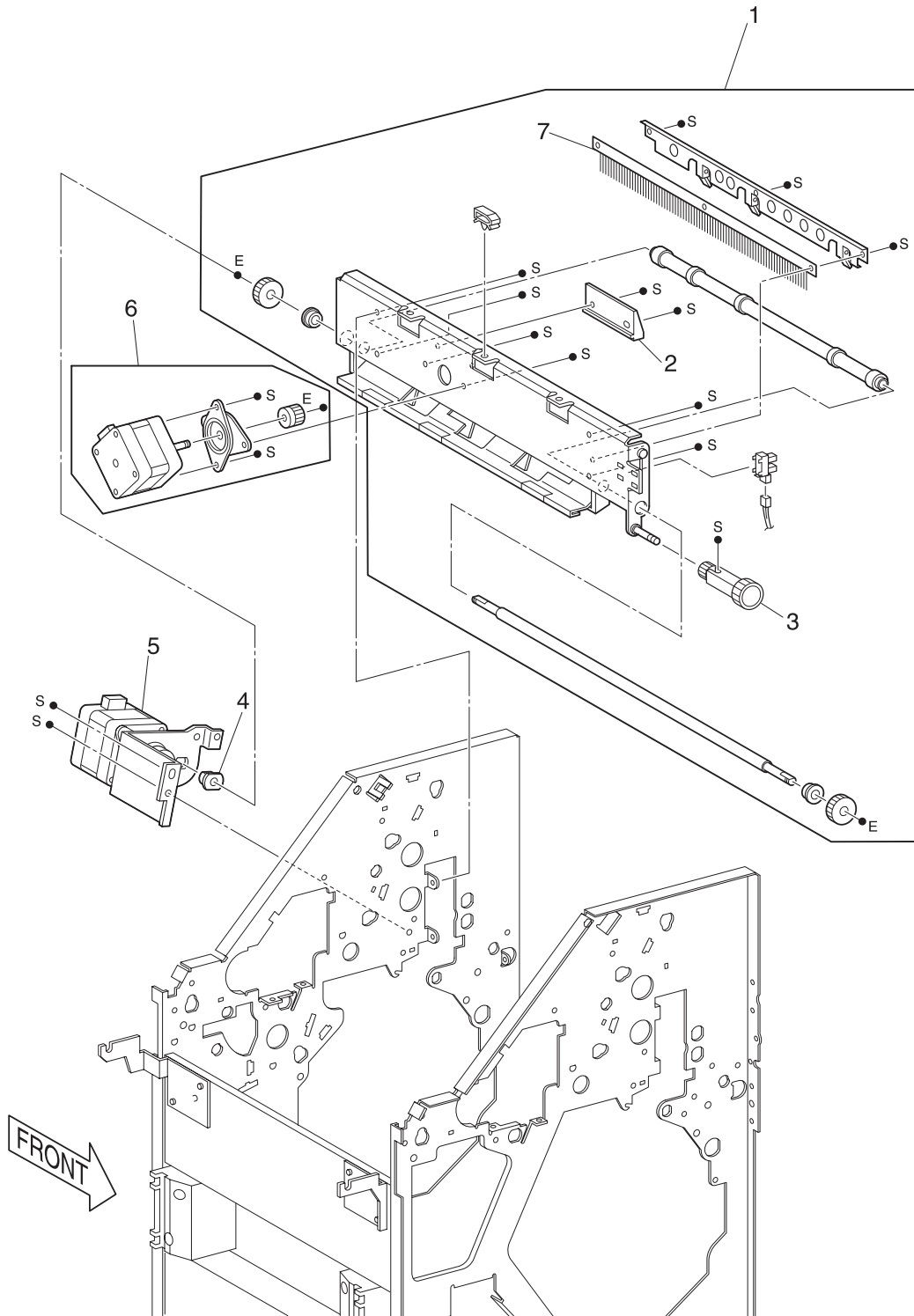
### Assembly 12: Jogging Assembly



**Assembly 12: Jogging Assembly**

<b>Ref</b>	<b>Part Number</b>	<b>Units</b>	<b>Description</b>
12 - 1	12G4307	1	Paddle, Paper
2	12G4309	1	Motor, Jogging
3	12G4308	1	Jogging Assembly
4	12G4306	2	Sensor, Jogging

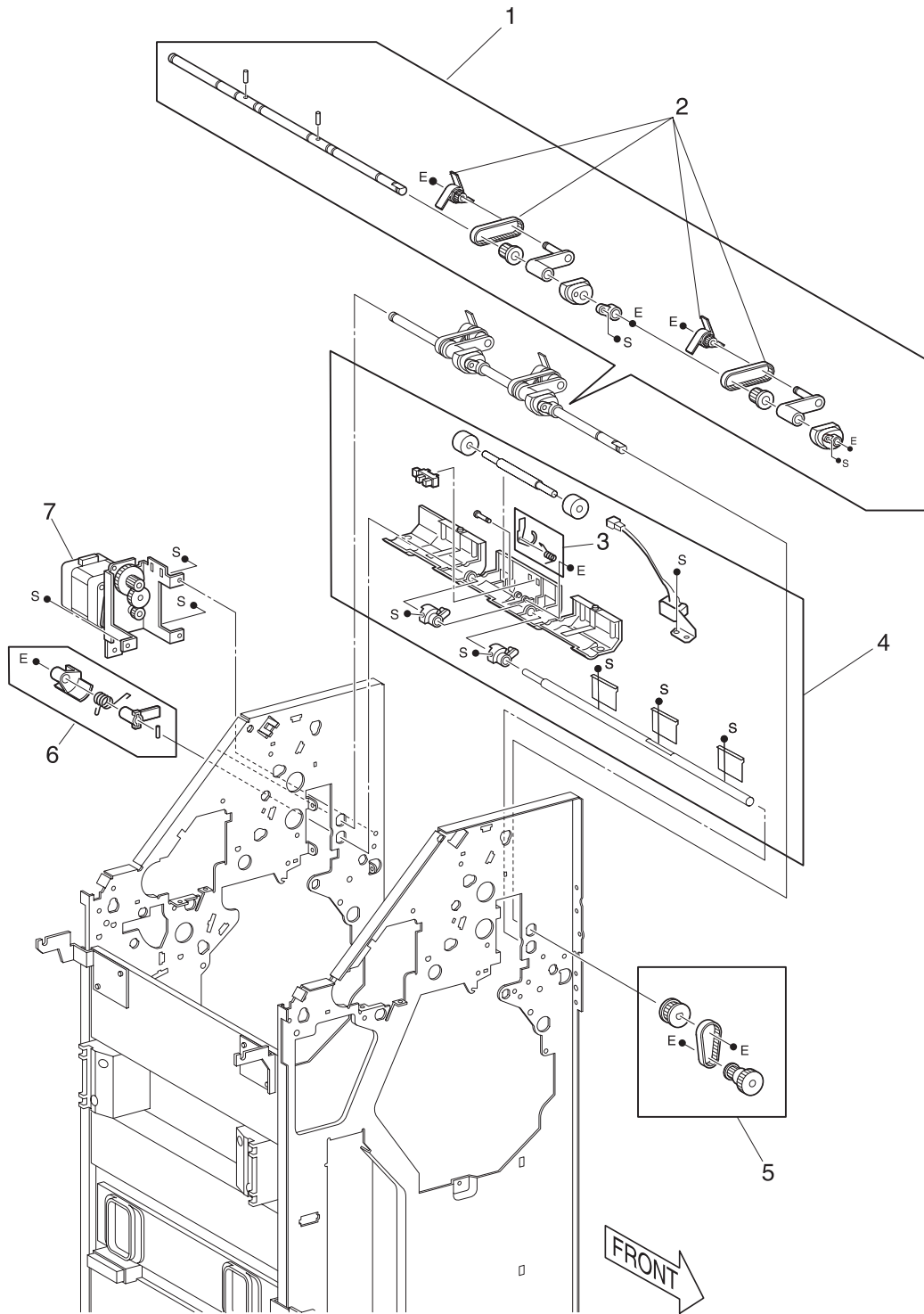
### Assembly 13: Shift Assembly



**Assembly 13: Shift Assembly**

<b>Ref</b>	<b>Part Number</b>	<b>Units</b>	<b>Description</b>
13 - 1	12G4315	1	Shift Kit Assembly
2	12G4313	1	Rack, Gear
3	12G4312	1	Knob, Shift Assembly
4	12G4311	1	Bearing, Shift Assembly
5	12G4310	1	Motor, MP2
6	12G4316	1	Motor Assembly, Shift Kit
7	12G4314	1	Eliminator

# Assembly 14: Stacker Unit

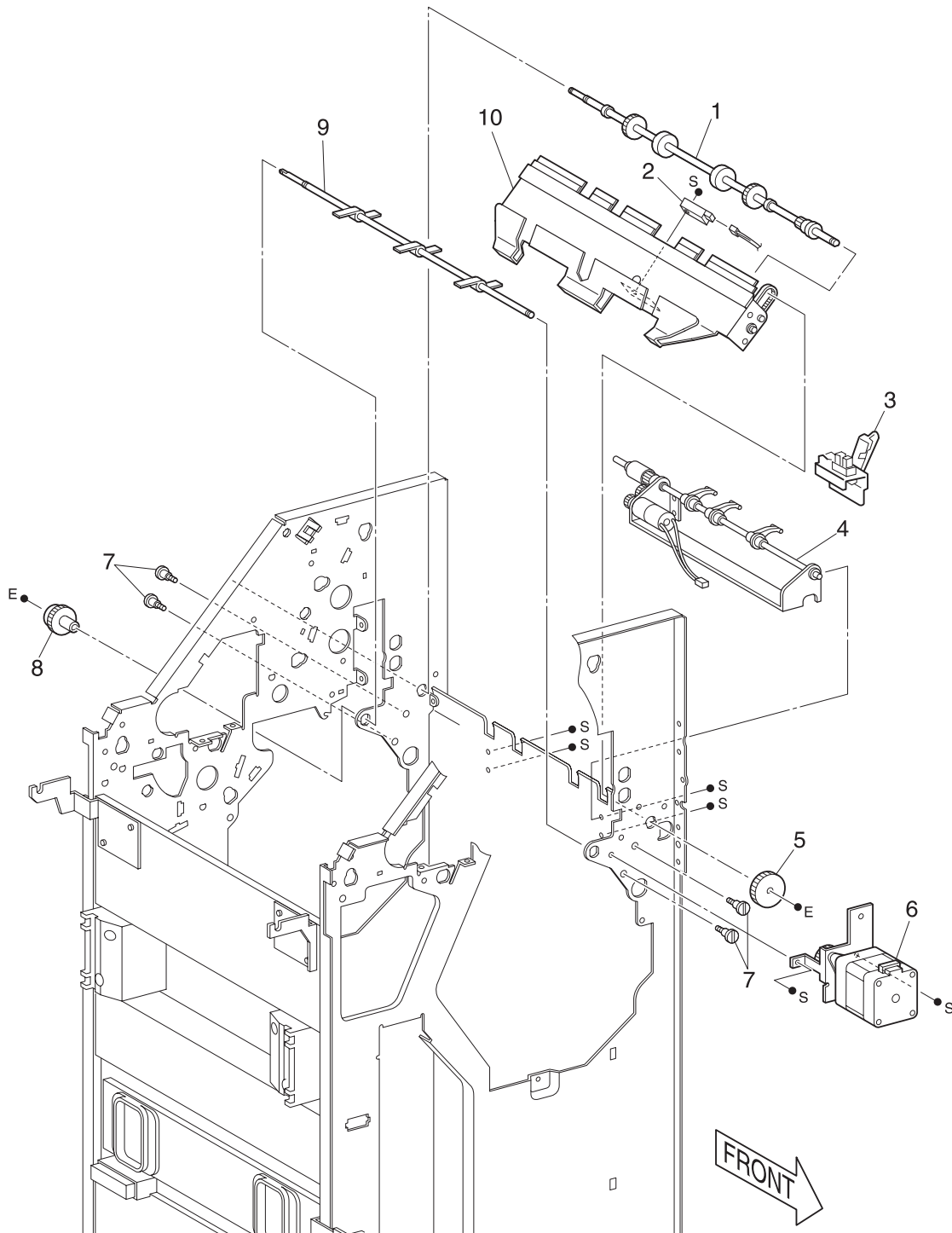


**Assembly 14: Stacker Unit**

<b>Ref</b>	<b>Part Number</b>	<b>Units</b>	<b>Description</b>
14 - 1	12G4318	1	Shaft Assembly, Paddle
2	12G4321	1	Paddle Assembly
3	12G4319	1	Exit Assembly, Actuator
4	12G4320	1	Kit Assembly, Compiler Guide
5	12G4322	1	Gear, Front
6	12G4323	1	Gear, Rear
7	12G4317	1	Motor, MP4



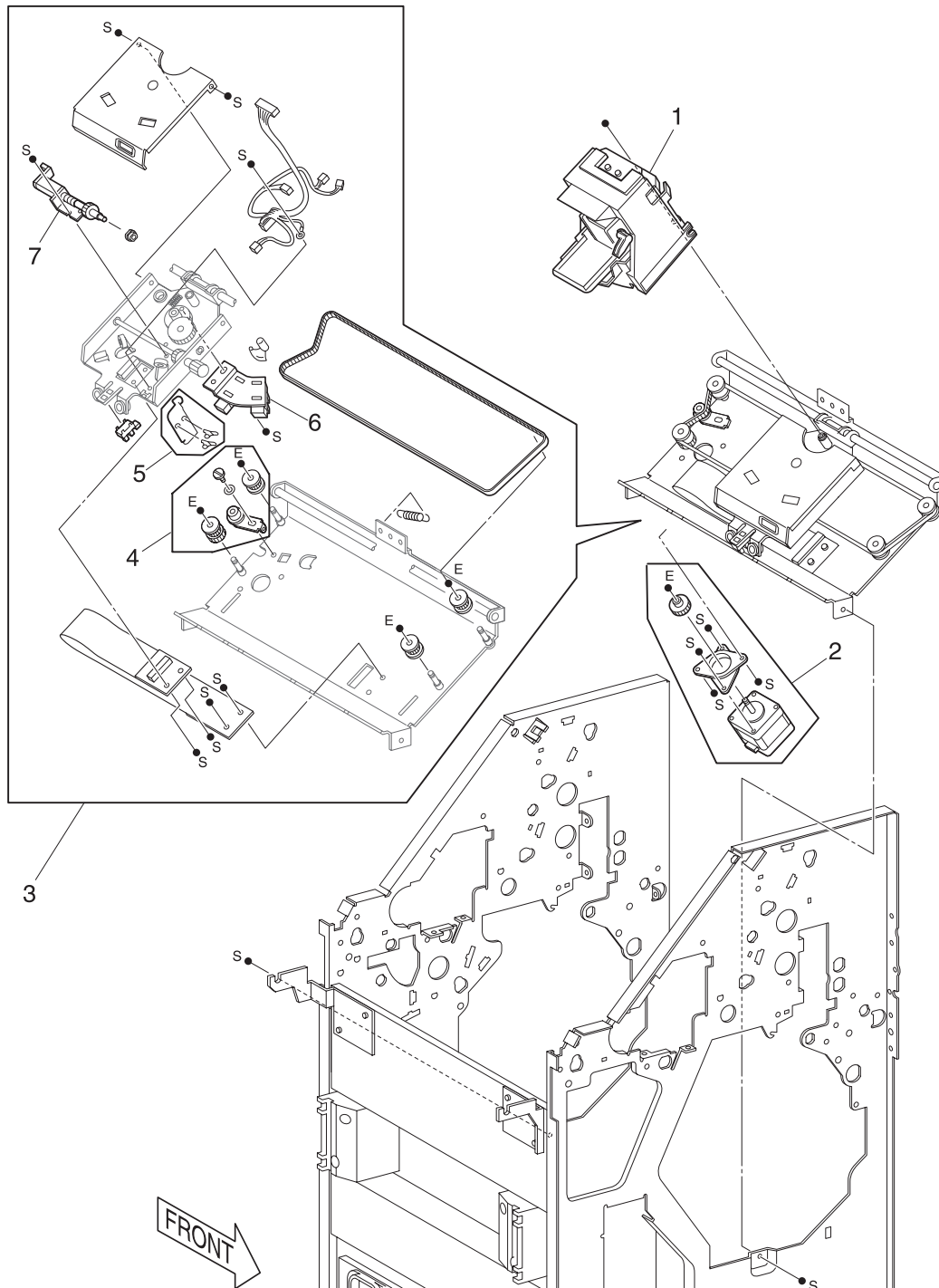
# Assembly 15: Stacker Tray



**Assembly 15: Stacker Tray**

<b>Ref</b>	<b>Part Number</b>	<b>Units</b>	<b>Description</b>
15 - 1	12G4327	1	Roll, Stack
2	12G4331	1	Sensor, No Paper Stapler
3	12G4332	1	Sensor, Lower Tray
4	12G4330	1	Stack Assembly
5	12G4324	1	Gear
6	12G4328	1	Motor, Stacker
7	12G4333	1	Kit, Shoulder Assembly
8	12G4329	1	Pulley, Stacker
9	12G4325	1	Roll, Paddle Assembly
10	12G4326	1	Staple Assembly

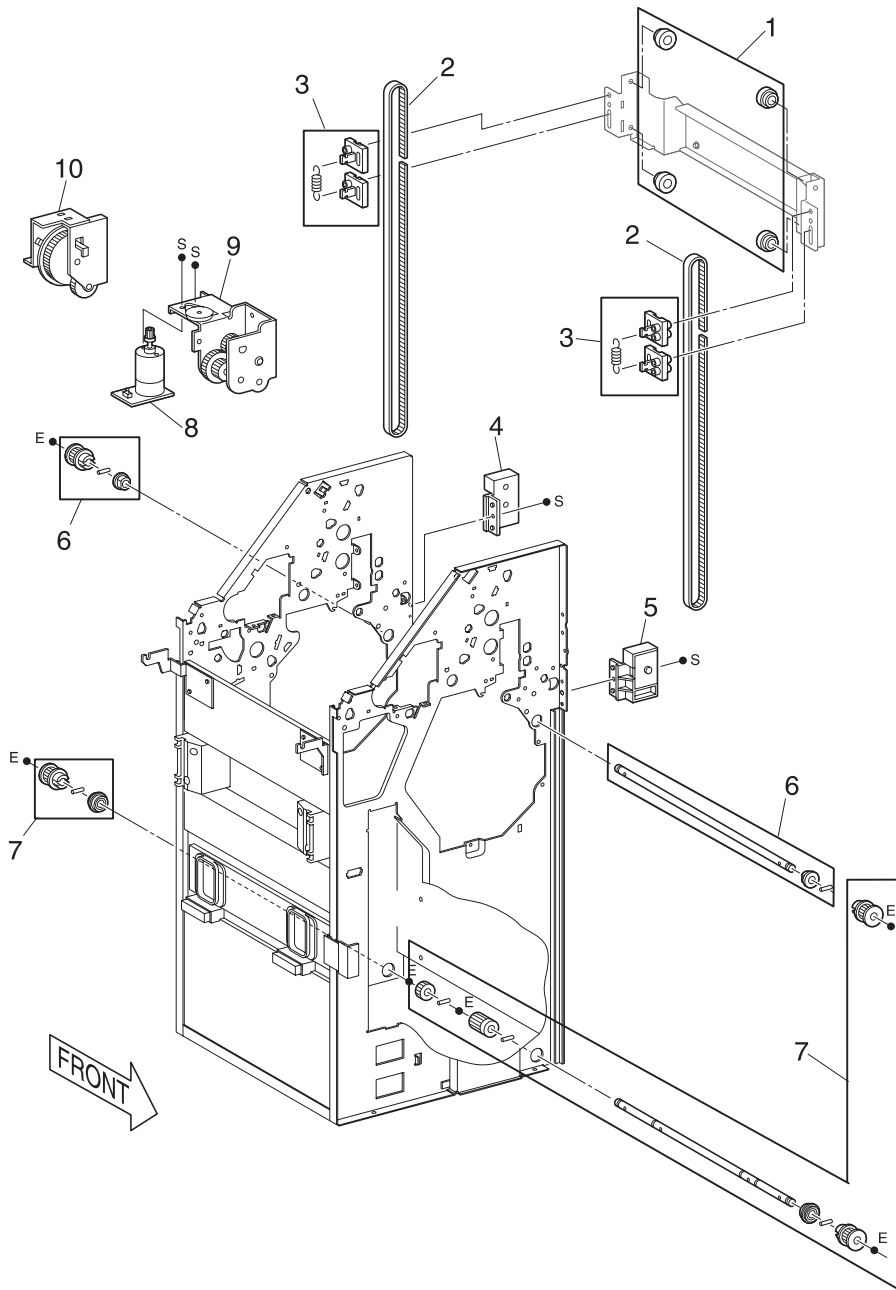
# Assembly 16: Stapler Assembly



**Assembly 16: Stapler Assembly**

<b>Ref</b>	<b>Part Number</b>	<b>Units</b>	<b>Description</b>
16 - 1	12G4334	1	Stapler Assembly
2	12G4339	1	Motor Assembly, Traverse
3	12G4337	1	Base Assembly, Stapler
4	12G4340	1	Pulley, Stapler
5	12G4338	1	Kit, Secure Plate
6	12G4336	1	Sensor Assembly, Swing
7	12G4335	1	Motor Assembly, Swing

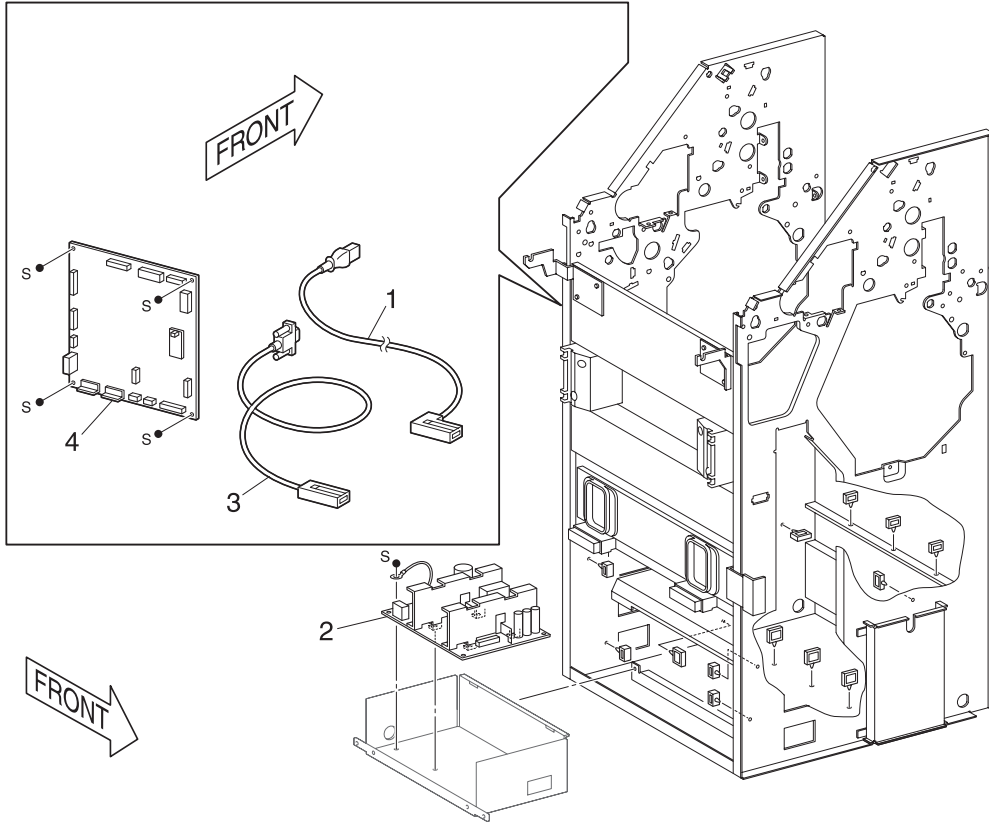
# Assembly 17: Elevator Unit



**Assembly 17: Elevator Unit**

<b>Ref</b>	<b>Part Number</b>	<b>Units</b>	<b>Description</b>
17 - 1	12G4347	1	Kit, Bearing
2	12G4341	2	Belt, Elevator Unit
3	12G4349	1	Holder Assembly
4	12G4346	1	Sensor, Tray Height Rear
5	12G4342	1	Sensor, Tray Height
6	12G4350	1	Shaft Assembly, Elevator U
7	12G4348	1	Shaft Assembly
8	12G4344	1	Motor, MD11
9	12G4343	1	Drive Assembly, Elevator
10	12G4345	1	Encoder Assembly

### Assembly 18: Finisher Main PWB, Power Supply

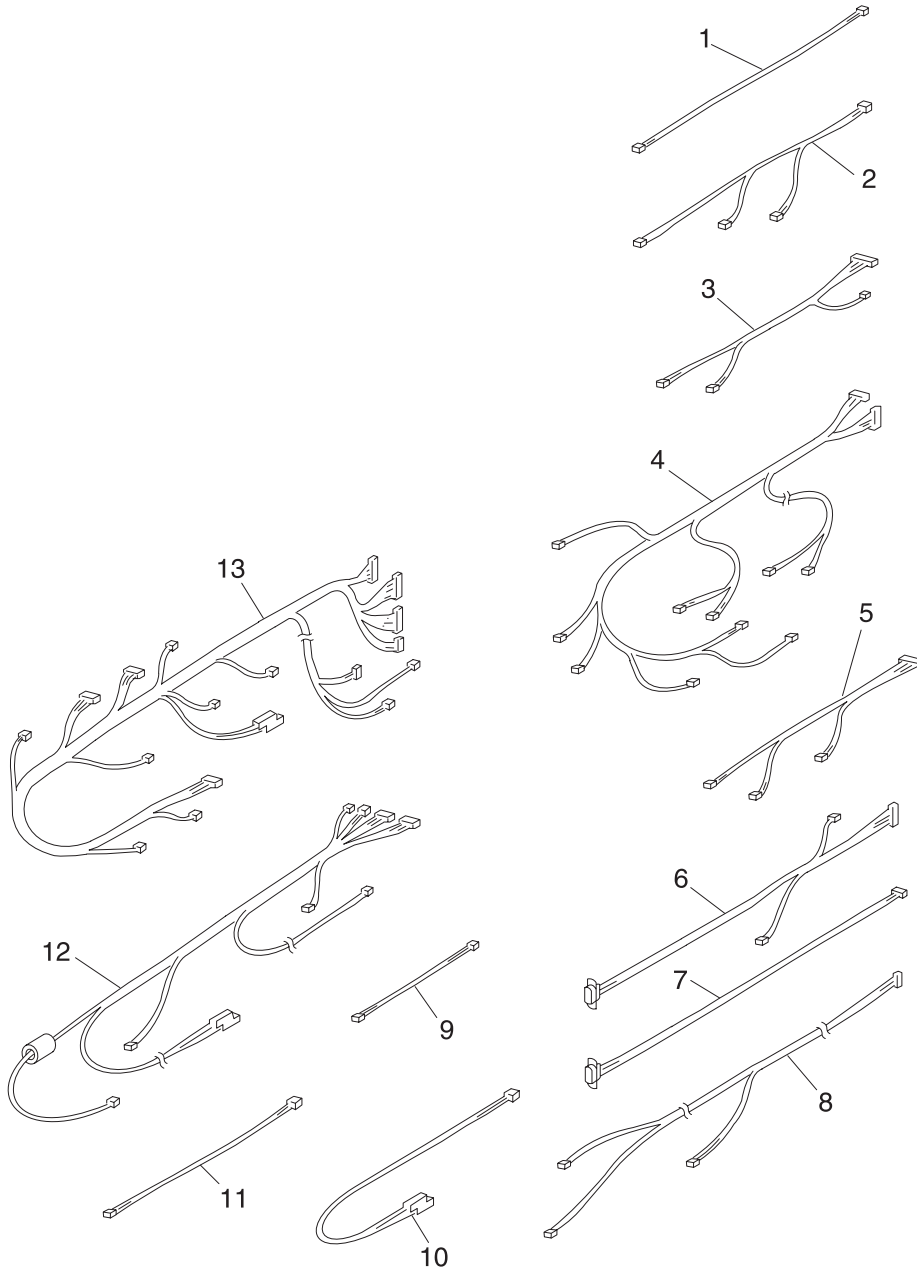


**Assembly 18: Finisher Main PWB, Power Supply**

<b>Ref</b>	<b>Part Number</b>	<b>Units</b>	<b>Description</b>
18 - 1	12G4354	1	Cord, Power
2	12G4351	1	Power Supply, Finisher
3	12G4353	1	Cable, I/F
4	12G4352	1	Card, Finisher
NS		1	Kit, Rivet



# Assembly 19: Harness



**Assembly 19: Harness**

<b>Ref</b>	<b>Part Number</b>	<b>Units</b>	<b>Description</b>
19 - 1	12G4355	1	Harness, No Paper
2	12G4356	1	Harness, Encoder
3	12G4357	1	Harness, Stapler (Middle)
4	12G4358	1	Harness, Sensor
5	12G4359	1	Harness, Middle 1
6	12G4360	1	Harness, H Tray
7	12G4361	1	Harness, I/F
8	12G4362	1	Harness, Face Up
9	12G4363	1	Harness, Exit
10	12G4364	1	Harness, Docking
11	12G4365	1	Harness, Middle 2
12	12G4366	1	Harness, DC
13	12G4367	1	Harness, Motor