

7. Parts catalog

How to use this parts catalog

The following legend is used in the parts catalog:

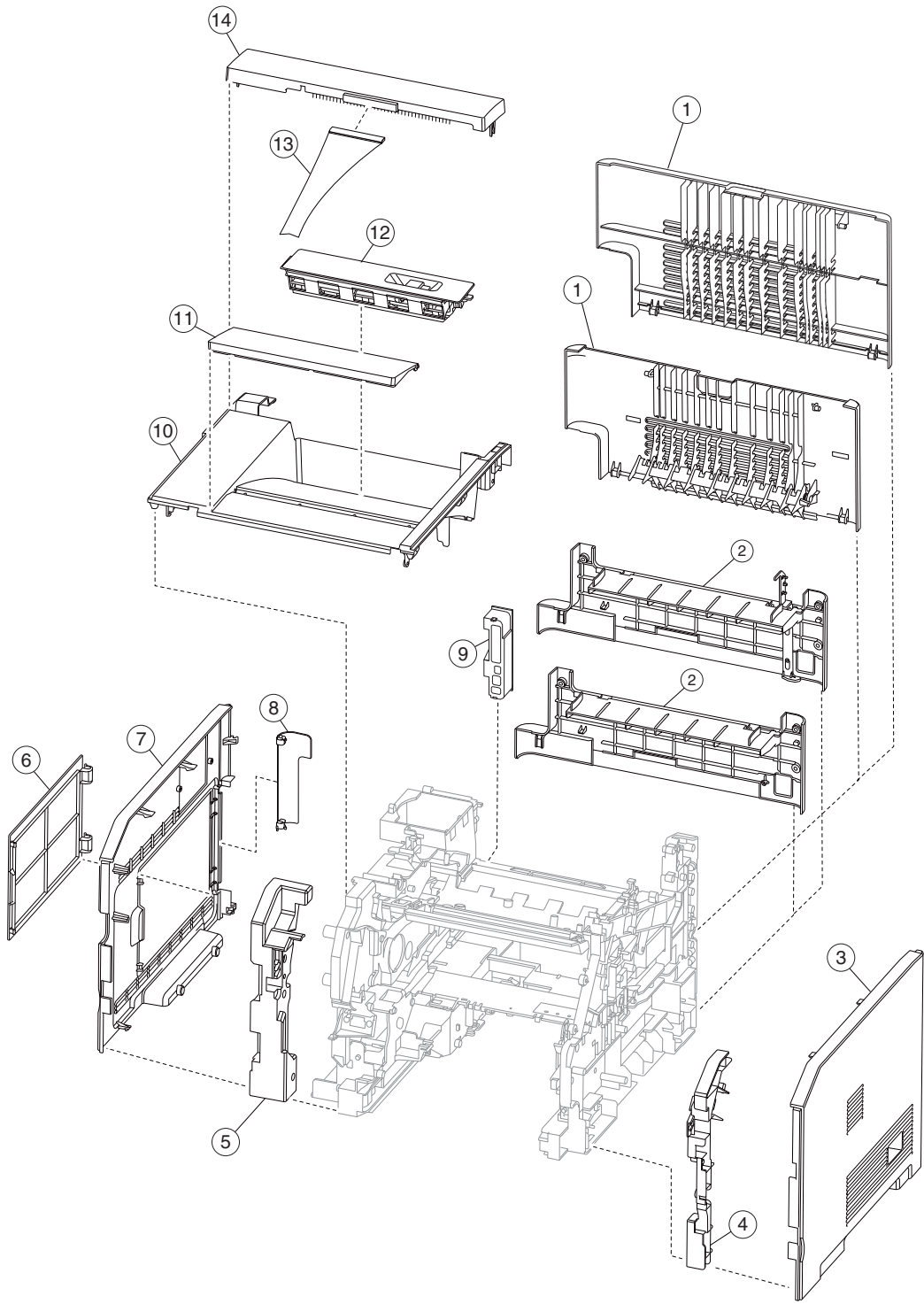
| Asm-Index | Part number | Units/mach - OR - Units/option | Units/ kit or pkg | Description |
|-----------|-------------|--------------------------------------|-------------------------|-------------|
|-----------|-------------|--------------------------------------|-------------------------|-------------|

- **Asm-index:** identifies the assembly and the item in the diagram. For example, 3-1 indicates Assembly 3 and the item number 1.
- **Part number:** identifies the unique number that identifies this FRU.
- **Units/mach:** refers to the number of units actually used in the base machine or product.
- **Units/option:** refers to the number of units used in the option and does not include the base machine.
- **Units/kit or Pkg:** refers to the number of units packaged together and identified by the part number.
- **NS:** (Not shown) in the Asm-Index column indicates that the part is procurable but is not pictured in the illustration.
- **PP:** (Parts Packet) in the parts description column indicates the part is contained in a parts packet.

Model information used in the parts catalog.

| Machine type | Model | Configuration |
|--------------|--------|---------------|
| 4062-01A | T650n | Network |
| 4062-21A | T652n | Network |
| 4062-23A | T652dn | Network |
| 4062-41A | T654n | Network |
| 4062-43A | T654dn | Network |

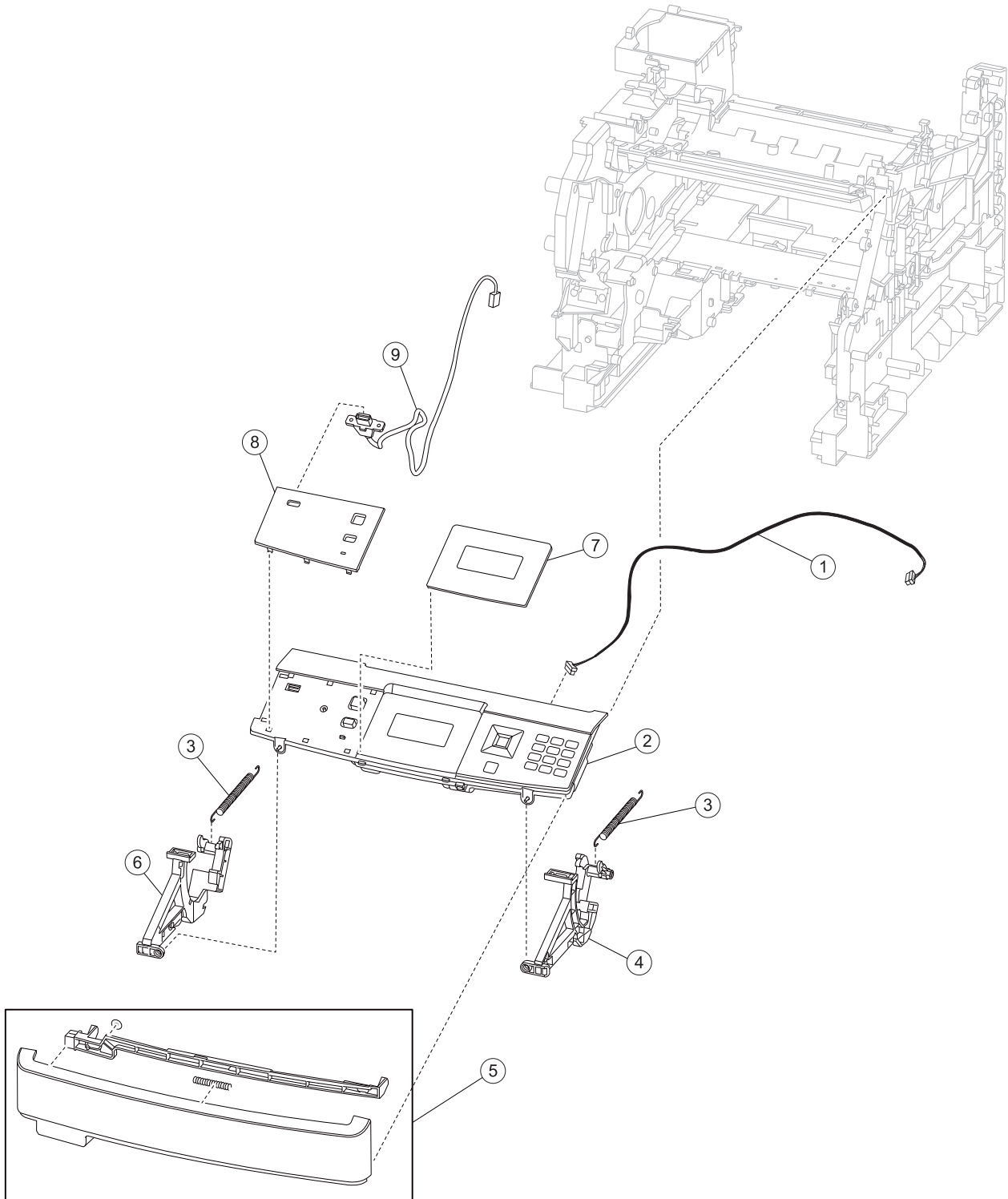
Assembly 1: Covers



Assembly 1: Covers

| Asm-Index | Part number | Units/mach | Units/kit or pkg | Description |
|-----------|-------------|------------|------------------|--|
| 1 | 40X4331 | 1 | 1 | Door assembly, rear (T654) |
| 1 | 40X4332 | 1 | 1 | Door assembly, rear (T650) |
| 1 | 40X4329 | 1 | 1 | Door assembly, rear (T652) |
| 2 | 40X4334 | 1 | 1 | Cover assembly, rear lower (T650) |
| 2 | 40X4335 | 1 | 1 | Cover assembly, rear lower (T652 and T654) |
| 3 | 40X4337 | 1 | 1 | Side cover, right (T654) |
| 3 | 40X4338 | 1 | 1 | Side cover, right (T650) |
| 3 | 40X1862 | 1 | 1 | Side cover, right (T652) |
| 4 | 40X4336 | 1 | 1 | Inner cover, right |
| 5 | 40X4322 | 1 | 1 | Inner cover, left |
| 6 | 40X4339 | 1 | 1 | Access door |
| 7 | 40X4323 | 1 | 1 | Side cover, left (T654) |
| 7 | 40X4324 | 1 | 1 | Side cover, left (T650) |
| 7 | 40X4325 | 1 | 1 | Side cover, left (T652) |
| 8 | 40X4314 | 1 | 1 | Connection access cover, rear (T652 and T654) |
| 8 | 40X4330 | 1 | 1 | Connection access cover, rear (T650) |
| 9 | 40X4629 | 1 | 1 | Connection bezel assembly, rear (T652 and T654) |
| 9 | 40X4630 | 1 | 1 | Connection bezel assembly, rear (T650) |
| 10 | 40X4320 | 1 | 1 | Laser cover assembly, 250 sheet output (T650 and T652) |
| 10 | 40X4321 | 1 | 1 | Laser cover assembly, 500 sheet output (T654) |
| 11 | 40X4311 | 1 | 1 | Media support (T650, T652) |
| 11 | 40X4697 | 1 | 1 | Media support (T654) |
| 12 | 40X4417 | 1 | 1 | Fuser wiper cover assembly |
| 13 | 40X4470 | 1 | 2 | Output bail |
| 14 | 40X4326 | 1 | 1 | Output cover assembly |

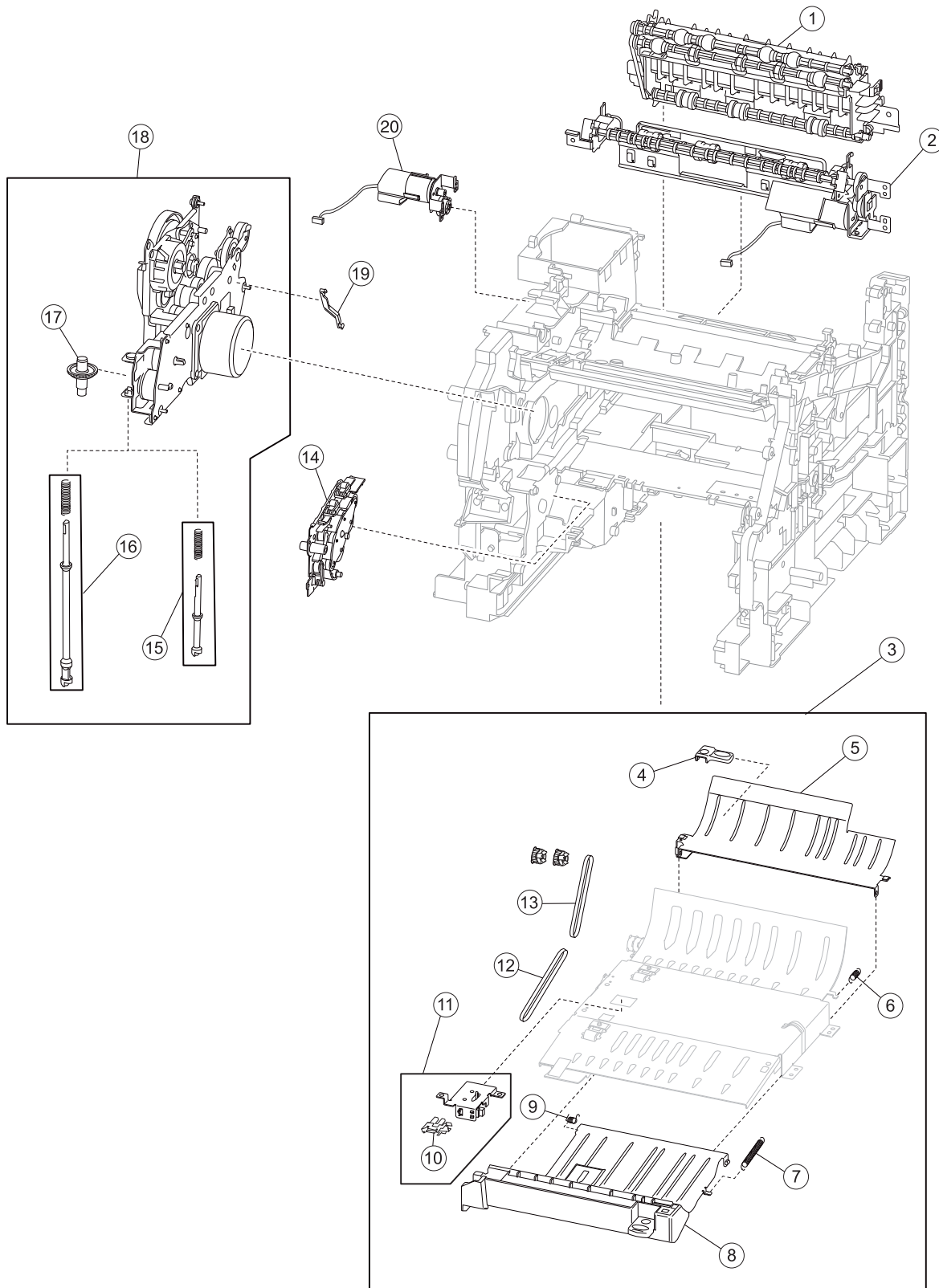
Assembly 2: Operator panel



Assembly 2: Operator panel

| Asm-Index | Part number | Units/mach | Units/kit or pkg | Description |
|-----------|-------------|------------|------------------|--------------------------------------|
| 1 | 40X4366 | 1 | 1 | Operator panel cable assembly |
| 2 | 40X4462 | 1 | 1 | Operator panel door assembly |
| 3 | 40X4380 | 2 | 1 | Counterbalance spring |
| 4 | 40X4397 | 1 | 1 | Operator panel hinge assembly, right |
| 5 | 40X4616 | 1 | 1 | Operator panel latch assembly |
| 6 | 40X4396 | 1 | 1 | Operator panel hinge assembly, left |
| 7 | 40X4415 | 1 | 1 | LCD screen bezel (T650n) |
| 7 | 40X4471 | 1 | 1 | LCD screen bezel (T652dn) |
| 7 | 40X4494 | 1 | 1 | LCD screen bezel (T652n) |
| 7 | 40X4627 | 1 | 1 | LCD screen bezel (T654dn) |
| 7 | 40X4628 | 1 | 1 | LCD screen bezel (T654n) |
| 8 | 40X5746 | 1 | 1 | Operator panel bezel, left |
| 8 | 40X5729 | 1 | 1 | Operator panel bezel, left (NON USB) |
| 9 | 40X4377 | 1 | 1 | USB cable assembly |

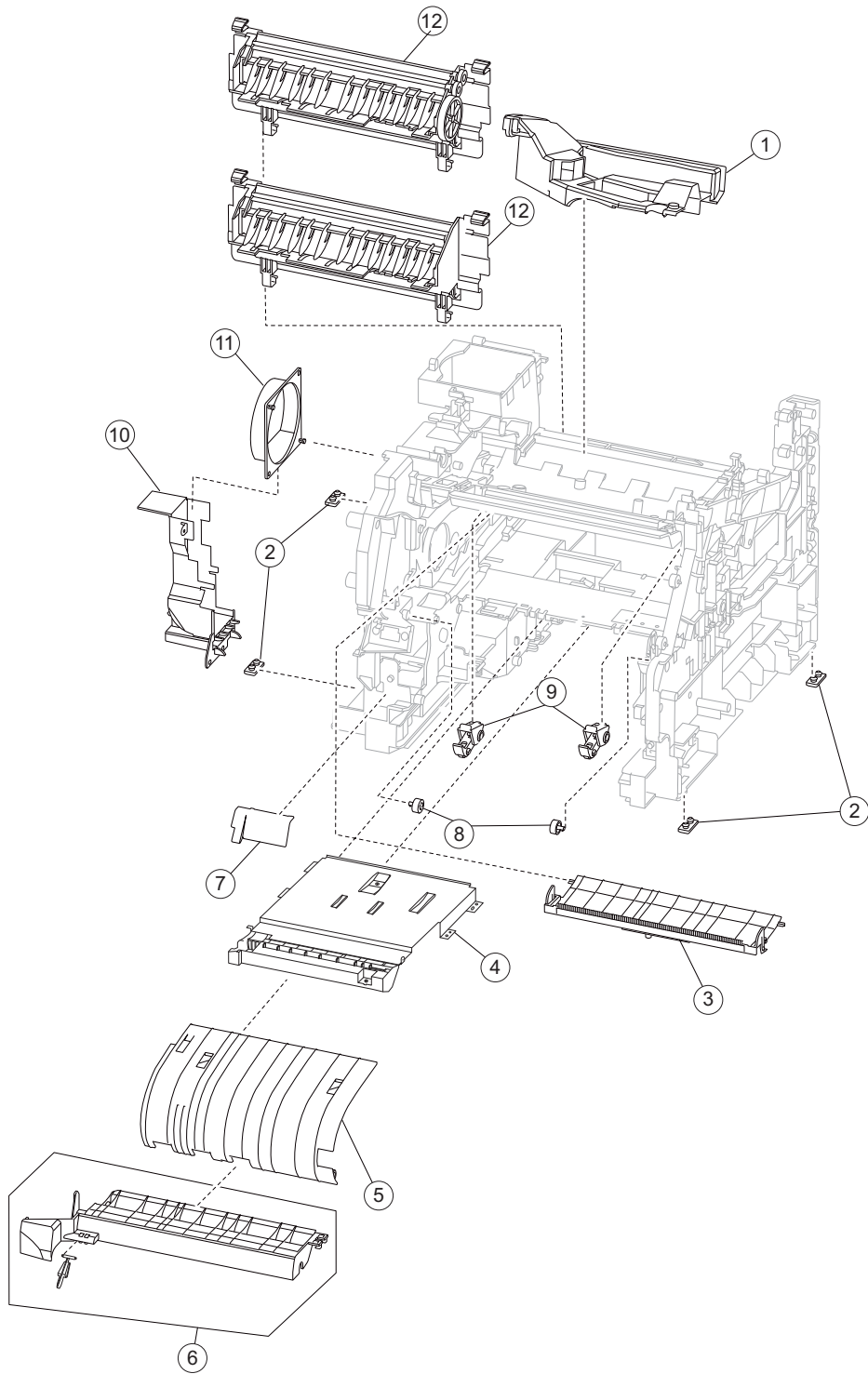
Assembly 3: Drive motor assemblies and duplex



Assembly 3: Drive motor assemblies and duplex

| Asm-Index | Part number | Units/mach | Units/kit or pkg | Description |
|-----------|-------------|------------|------------------|---|
| 1 | 40X4465 | 1 | 1 | Redrive assembly (T650) |
| 1 | 40X4466 | 1 | 1 | Redrive assembly (T652) |
| 1 | 40X4467 | 1 | 1 | Redrive assembly (T654) |
| 2 | 40X4344 | 1 | 1 | Duplex drive motor assembly (T652 and T654) |
| 3 | 40X4346 | 1 | 5 | Duplex assembly with 2 belts and 2 pulleys (T652 and T654) |
| 4 | 40X4351 | 1 | 1 | Duplex guide handle (T652 and T654) |
| 5 | 40X4352 | 1 | 1 | Duplex guide, rear (T652 and T654) |
| 6 | 40X4353 | 1 | 1 | Duplex guide spring, rear (T652 and T654) |
| 7 | 40X4349 | 1 | 1 | Duplex guide spring, right (T652 and T654) |
| 8 | 40X4348 | 1 | 1 | Duplex guide assembly, front (T652 and T654) |
| 9 | 40X5551 | 1 | 1 | Duplex guide spring, left (T652 and T654) |
| 10 | 40X4369 | 1 | 1 | Sensor (duplex input) |
| 11 | 40X4345 | 1 | 1 | Duplex (input) sensor assembly (T652 and T654) |
| 12 | 40X4350 | 1 | 1 | Duplex drive belt, lower (T652 and T654) |
| 13 | 40X4354 | 1 | 1 | Duplex drive belt, upper (T652 and T654) |
| 14 | 40X4302 | 1 | 3 | Aligner assembly with ground strap and adj. screw (T650) |
| 14 | 40X4303 | 1 | 3 | Aligner assembly with ground strap and adj. screw (T652 and T654) |
| 15 | 40X1863 | 1 | 2 | Option drive shaft with spring (T650) |
| 16 | 40X4473 | 1 | 2 | Option drive shaft with spring (T652 and T654) |
| 17 | 99A0954 | 1 | 1 | Bevel gear with grease packet and washer <ul style="list-style-type: none"> • Bevel gear (1) • Instruction sheet (1) • Grease packet (1) |
| 18 | 40X5749 | 1 | 1 | Main drive motor assembly with option drive shaft |
| 19 | 40X4386 | 1 | 1 | Fuser drive release linkage |
| 20 | 40X4343 | 1 | 1 | Redrive motor assembly (T652 and T654) |

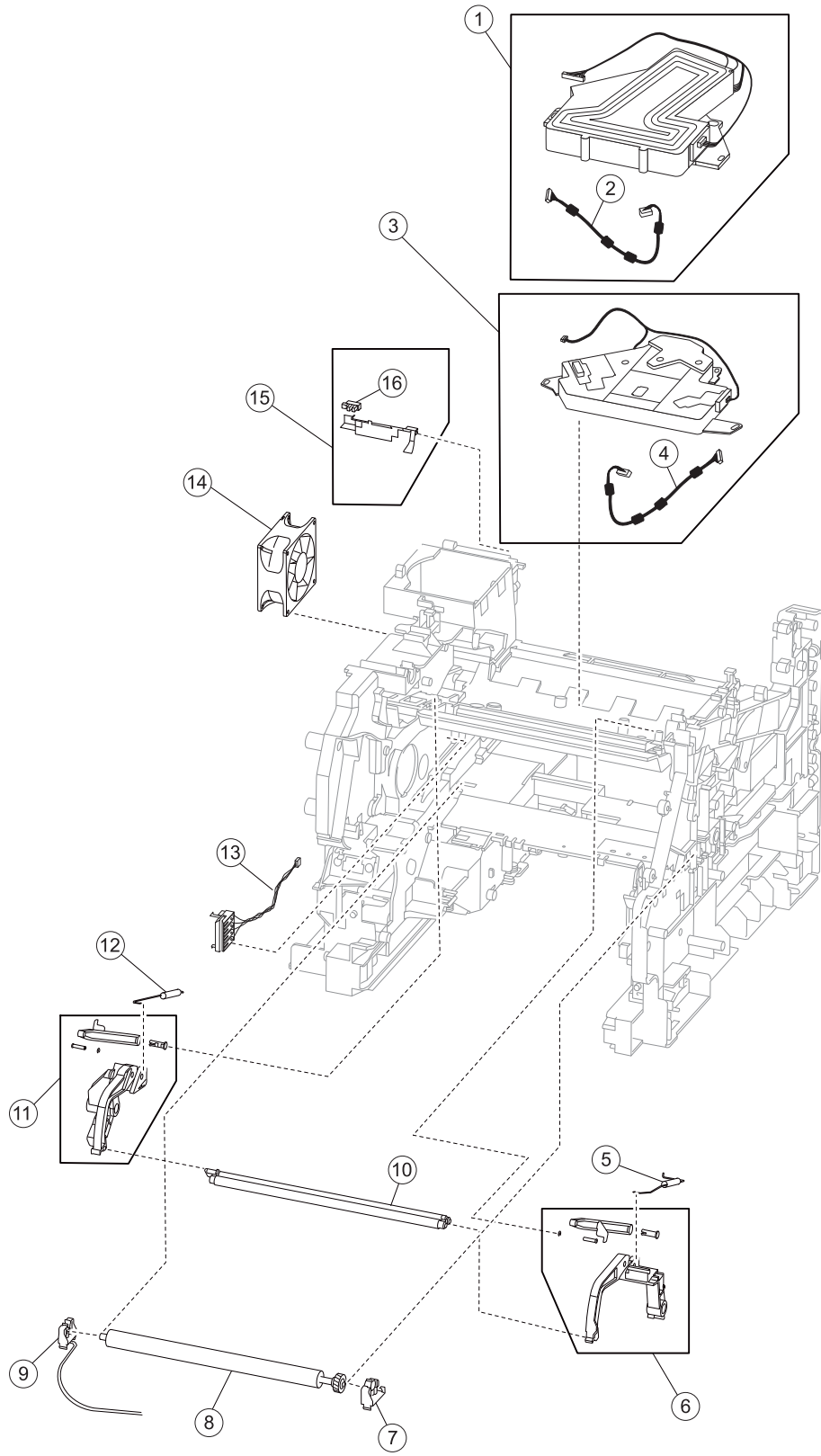
Assembly 4: Media path and ducts



Assembly 4: Media path and ducts

| Asm-Index | Part number | Units/mach | Units/kit or pkg | Description |
|-----------|-------------|------------|------------------|--|
| 1 | 40X4384 | 1 | 1 | EP cooling fan duct |
| 2 | 40X4390 | 4 | 1 | Machine pad |
| 3 | 40X1869 | 1 | 1 | Transfer deflector with static brush |
| 4 | 40X1889 | 1 | 1 | Duplex deletion assembly (T652, T654) |
| 5 | 40X4387 | 1 | 1 | Inner deflector (T650) |
| 5 | 40X4388 | 1 | 1 | Inner deflector (T652, T654) |
| 6 | 40X1900 | 1 | 1 | Media turn guide with actuator |
| 7 | 40X4385 | 1 | 1 | Envelope feeder interface cover |
| 8 | 40X4406 | 2 | 1 | Print cartridge support roller |
| 9 | 40X1868 | 2 | 1 | Print cartridge clamp assembly |
| 10 | 40X4389 | 1 | 1 | LVPS cooling duct |
| 11 | 40X4391 | 1 | 1 | Main cooling duct (T650) |
| 11 | 40X4392 | 1 | 1 | Main cooling duct (T652 and T654) |
| 12 | 40X4318 | 1 | 1 | Fuser access door assembly (T652 and T654) |
| 12 | 40X4319 | 1 | 1 | Fuser access door assembly (T650) |

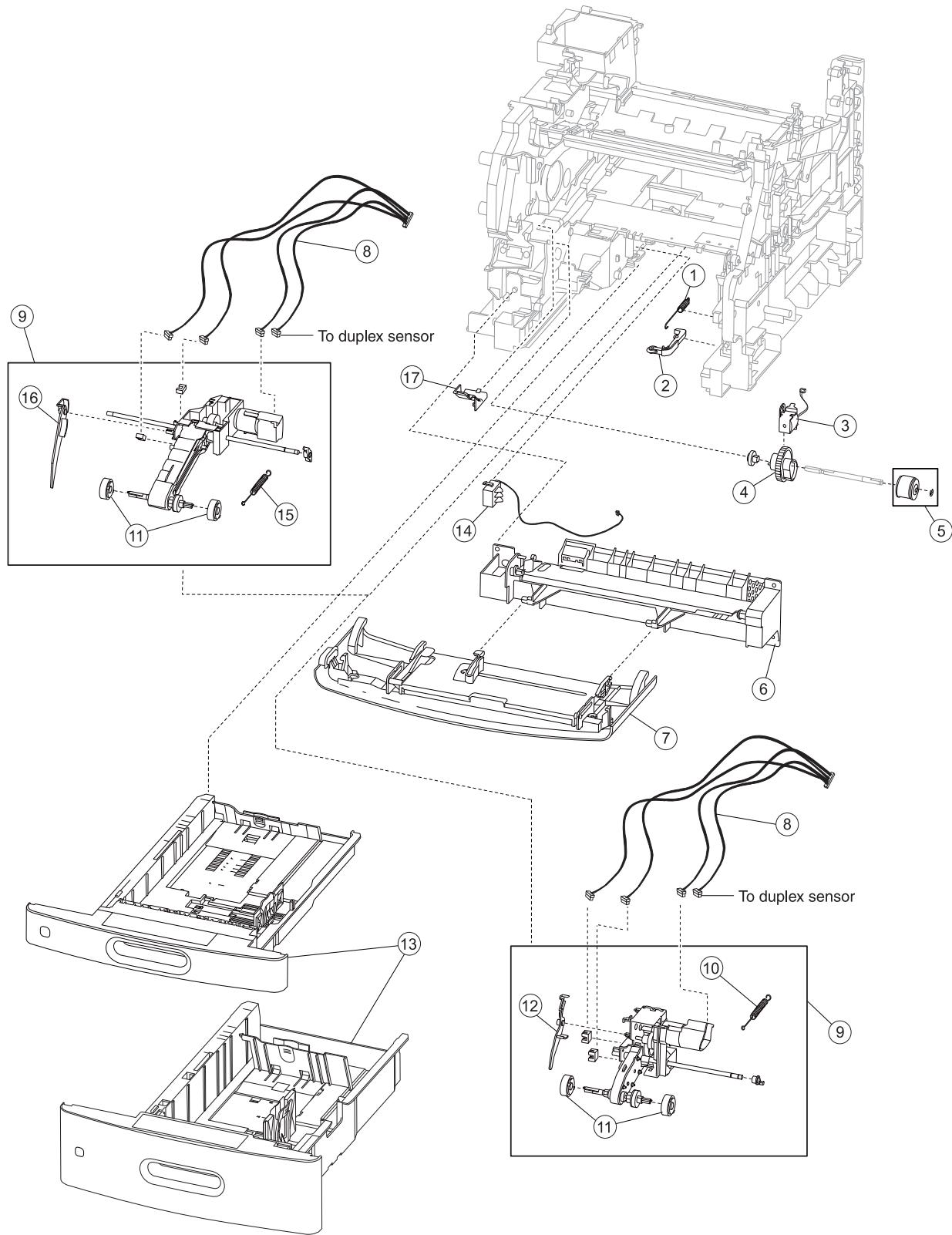
Assembly 5: Printhead, charge, and transfer



Assembly 5: Printhead, charge, and transfer

| Asm-Index | Part number | Units/mach | Units/kit or pkg | Description |
|-----------|-------------|------------|------------------|---|
| 1 | 40X4464 | 1 | 2 | Printhead with cable assembly (T652 and T654) |
| 2 | 40X1865 | 1 | 1 | Printhead cable (T652 and T654) |
| 3 | 40X4463 | 1 | 2 | Printhead with cable assembly (T650) |
| 4 | 40X4367 | 1 | 1 | Printhead cable assembly (T650) |
| 5 | 40X4317 | 1 | 1 | Charge roll link spring, right |
| 6 | 40X1893 | 1 | 4 | Charge roll arm assembly with cable, right |
| 7 | 40X1888 | 1 | 2 | Transfer roll bracket assembly, right |
| 8 | 40X1886 | 1 | 1 | Transfer roll assembly with tool |
| 9 | 40X1887 | 1 | 2 | Transfer roll bracket with cable assembly, left |
| 10 | 40X5852 | 1 | 1 | Charge roll assembly with tool |
| 11 | 40X1892 | 1 | 4 | Charge roll arm assembly, left |
| 12 | 40X4316 | 1 | 1 | Charge roll link spring, left |
| 13 | 40X1864 | 1 | 1' | Print cartridge ID connector assembly |
| 14 | 40X4363 | 1 | 1 | Main cooling fan (T650) |
| 14 | 40X4364 | 1 | 1 | Main cooling fan (T652 and T654) |
| 15 | 40X4372 | 1 | 1 | Sensor (standard bin exit) actuator assembly |
| 16 | 40X4369 | 1 | 1 | Sensor (standard bin exit) |

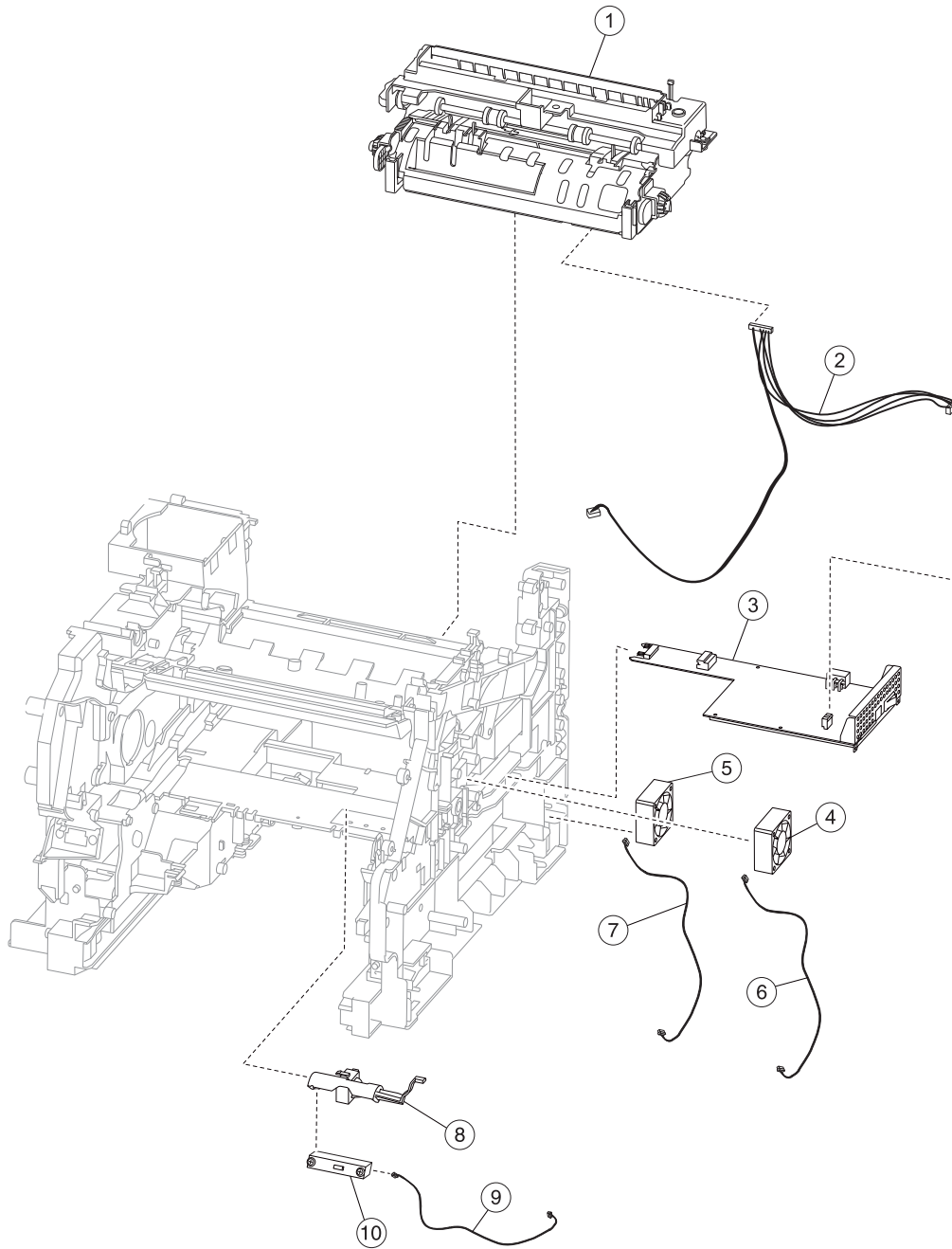
Assembly 6: Pick arm assembly, trays, and MPF



Assembly 6: Pick arm assembly, trays, and MPF

| Asm-Index | Part number | Units/mach | Units/kit or pkg | Description |
|-----------|-------------|------------|------------------|--|
| 1 | 40X4394 | 1 | 1 | Tray catch spring |
| 2 | 40X4395 | 1 | 1 | Tray roller catch assembly |
| 3 | 40X4365 | 1 | 1 | MPF pick solenoid assembly |
| 4 | 40X4457 | 1 | 1 | MPF cam gear |
| 5 | 40X1883 | 4 | 1 | MPF pick roll assembly with flanges and clip |
| 6 | 40X4458 | 1 | 1 | MPF lift plate assembly (T650) |
| 6 | 40X4459 | 1 | 1 | MPF lift plate assembly (T652 and T654) |
| 7 | 40X1884 | 1 | 1 | MPF tray door assembly (T654) |
| 7 | 40X4460 | 1 | 1 | MPF tray door assembly (T650) |
| 7 | 40X4461 | 1 | 1 | MPF tray door assembly (T652) |
| 8 | 40X4313 | 1 | 1 | Pick arm sensor cable assembly |
| 9 | 40X4304 | 1 | 1 | Pick arm assembly with spring, 250 sheet (T650) |
| 9 | 40X4305 | 1 | 1 | Pick arm assembly with spring, 500 sheet (T652 and T654) |
| 10 | 40X4306 | 1 | 1 | Pick arm spring (T650) |
| 11 | 40X4308 | 1 | 2 | Pick roll assembly (2) |
| 12 | 40X4309 | 1 | 1 | 250 Sheet media out actuator (T650) |
| 13 | 40X4468 | 1 | 1 | Media tray assembly, 250 sheet |
| 13 | 40X4469 | 1 | 1 | Media tray assembly, 550 sheet |
| 14 | 40X4472 | 1 | 1 | Switch (media size) assembly |
| 15 | 40X4307 | 1 | 1 | Pick arm spring (T652 and T654) |
| 16 | 40X4310 | 1 | 1 | 550 Sheet media out actuator (T652 and T654) |
| 17 | 40X1876 | 1 | 1 | MPF gear shield |

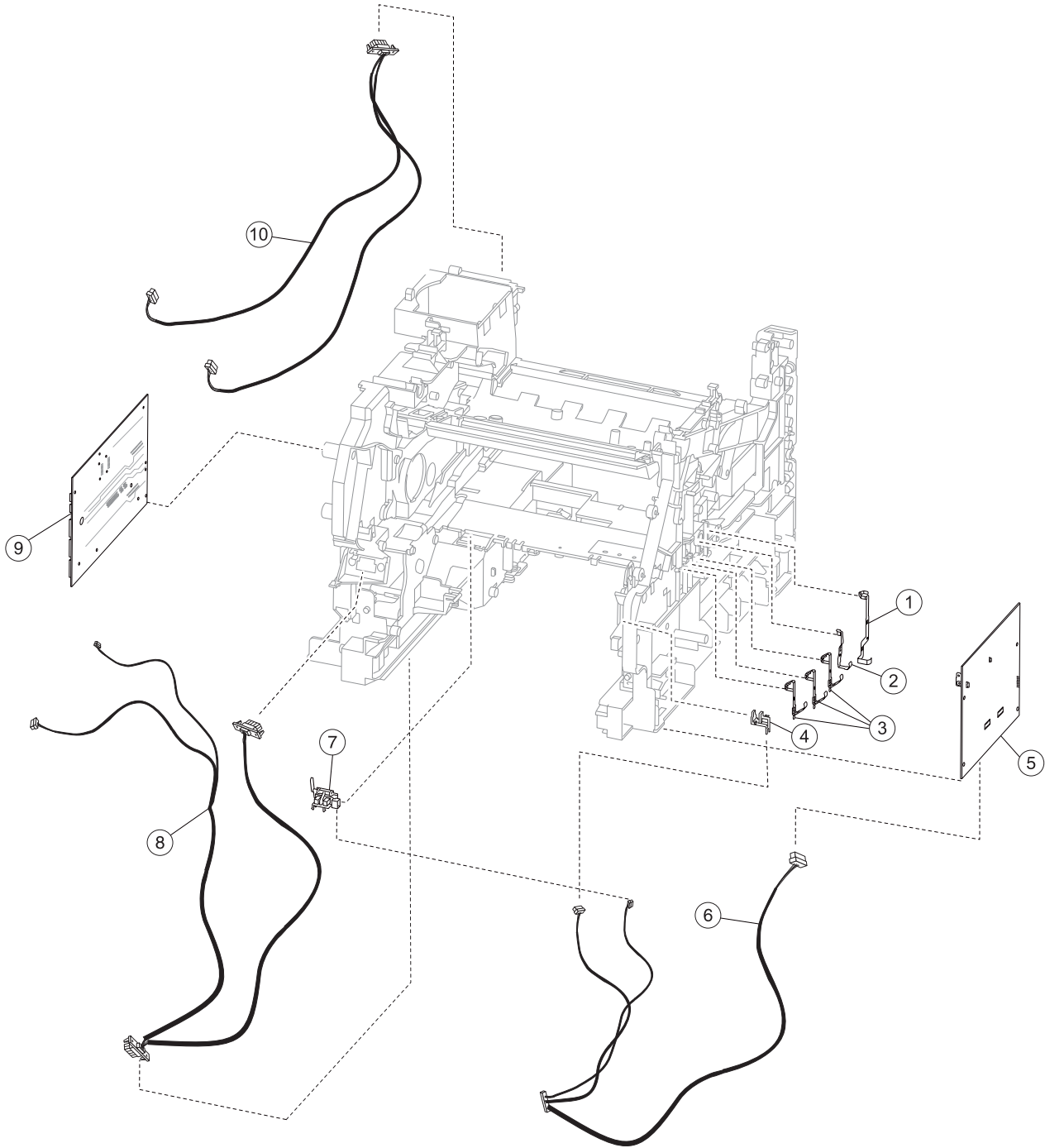
Assembly 7: LVPS, fuser and electrical cables 1



Assembly 7: LVPS, fuser and electrical cables 1

| Asm-Index | Part number | Units/mach | Units/kit or pkg | Description |
|-----------|-------------|------------|------------------|--|
| 1 | 40X1870 | 1 | 1 | 100V type 1 fuser assembly |
| 1 | 40X4418 | 1 | 1 | 110V type 1 fuser assembly |
| 1 | 40X1871 | 1 | 1 | 220V type 1 fuser assembly |
| 1 | 40X5853 | 1 | 1 | 100V type 2 fuser assembly |
| 1 | 40X5854 | 1 | 1 | 110V type 2 fuser assembly |
| 1 | 40X5855 | 1 | 1 | 220V type 2 fuser assembly |
| 2 | 40X4419 | 1 | 1 | Fuser interface cable assembly |
| 3 | 40X4355 | 1 | 1 | LVPS card assembly |
| 4 | 40X4359 | 1 | 1 | Print cartridge cooling fan |
| 5 | 40X4356 | 1 | 1 | Duplex cooling fan |
| 6 | 40X4360 | 1 | 1 | Print cartridge cooling fan cable assembly |
| 7 | 40X4357 | 1 | 1 | Duplex cooling fan cable assembly |
| 8 | 40X1866 | 1 | 1 | Sensor shield assembly |
| 9 | 40X4379 | 1 | 1 | Toner density sensor cable assembly |
| 10 | 40X4378 | 1 | 1 | Sensor (toner density) |

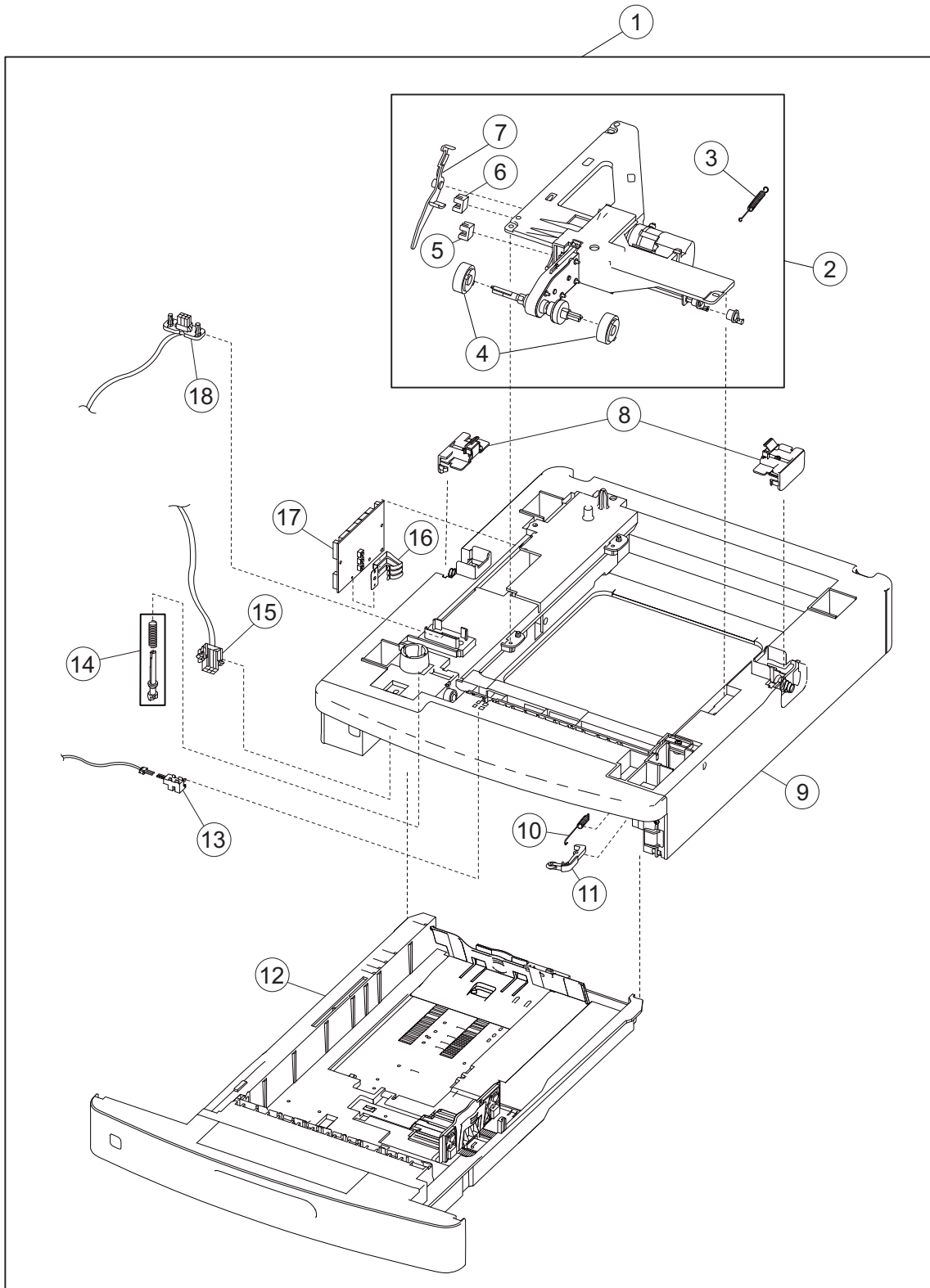
Assembly 8: HVPS, system card, and electrical cables 2



Assembly 8: HVPS, system card, and electrical cables 2

| Asm-Index | Part number | Units/mach | Units/kit or pkg | Description |
|-----------|-------------|------------|------------------|---|
| 1 | 40X4383 | 1 | 1 | Cleaning blade contact |
| 2 | 40X4381 | 1 | 1 | Drum grounding contact |
| 3 | 40X4382 | 1 | 1 | Print cartridge HV contact |
| 4 | 40X4370 | 1 | 1 | Sensor (toner empty) |
| 5 | 40X4362 | 1 | 1 | HVPS card assembly |
| 6 | 40X4361 | 1 | 1 | HVPS / sensor cable assembly |
| 7 | 40X4368 | 1 | 1 | Sensor (input) |
| 8 | 40X4358 | 1 | 1 | Envelope / input option tray cable assembly |
| 9 | 40X5911 | 1 | 1 | System card assembly (T654) |
| 9 | 40X4375 | 1 | 1 | System card assembly (T650) |
| 9 | 40X4474 | 1 | 1 | System card assembly (T652) |
| 10 | 40X4376 | 1 | 1 | Output option interface cable assembly |

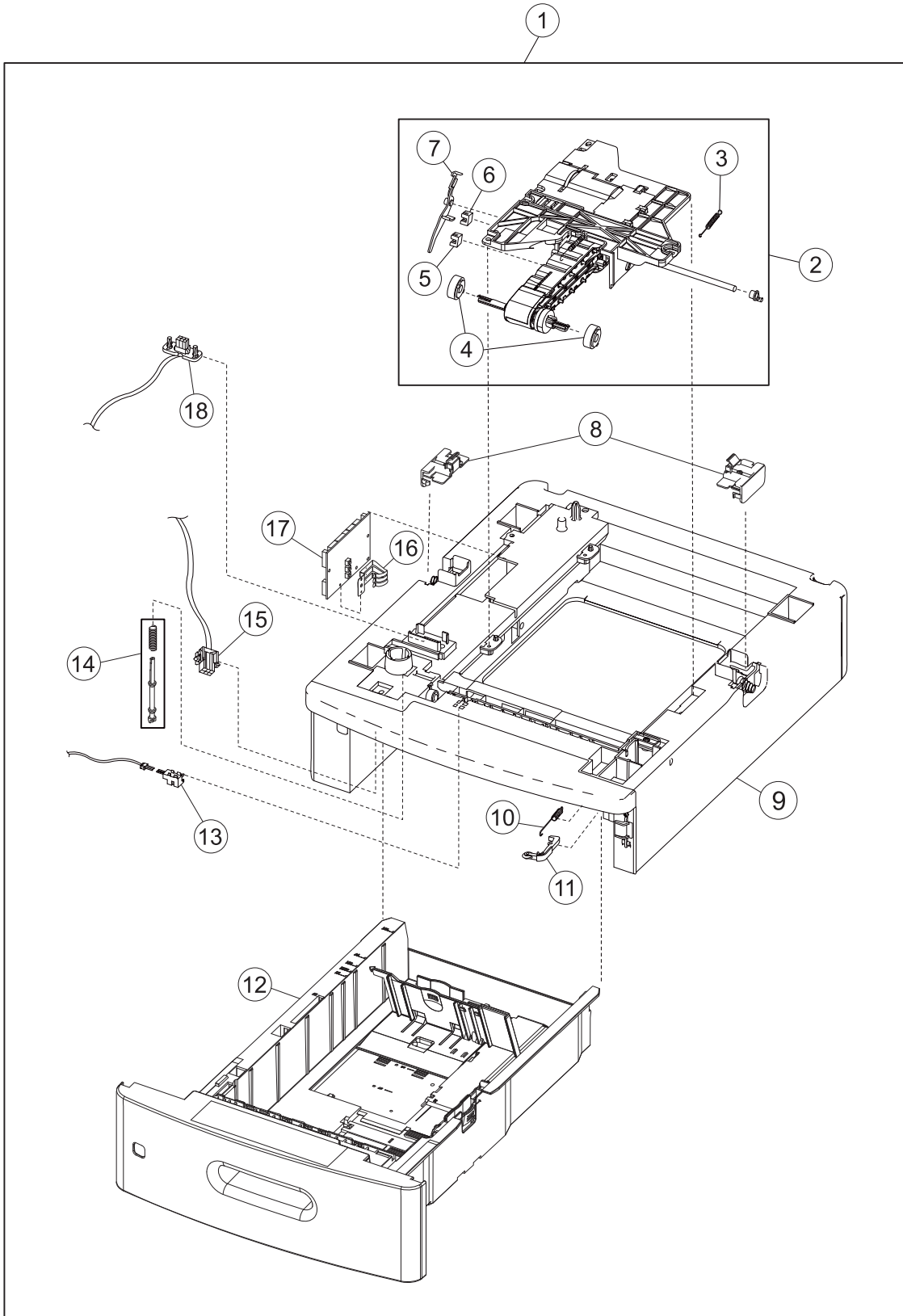
Assembly 9: 250 Sheet option tray assembly



Assembly 9: 250 Sheet option tray assembly

| Asm-Index | Part number | Units/mach | Units/kit or pkg | Description |
|-----------|-------------|------------|------------------|---|
| 1 | 40X4569 | 1 | 1 | Complete 250 sheet option tray assembly |
| 2 | 40X3447 | 1 | 1 | 250 Sheet pick arm bracket assembly |
| 3 | 40X3448 | 1 | 1 | 250 Sheet bellcrank recoil spring |
| 4 | 40X4308 | 2 | 1 | Pick roll assembly (2) |
| 5 | 40X4369 | 1 | 1 | Sensor (media low) |
| 6 | 40X4369 | 1 | 1 | Sensor (media empty) |
| 7 | 40X4309 | 1 | 1 | 250 Sheet media out actuator |
| 8 | 40X4570 | 1 | 1 | Anti-tip latch assembly |
| 9 | 40X3453 | 1 | 1 | 250 Sheet option drawer assembly |
| 10 | 40X3822 | 1 | 1 | Media tray catch spring |
| 11 | 40X4395 | 1 | 1 | Media tray roller catch assembly |
| 12 | 40X3449 | 1 | 1 | Media tray assembly, 250 sheet |
| 13 | 40X4575 | 1 | 1 | Sensor (pass through) with cable |
| 14 | 40X1863 | 1 | 1 | 250 Option drive shaft with spring |
| 15 | 40X4572 | 1 | 1 | Lower interface cable assembly |
| 16 | 40X3854 | 1 | 1 | Media size actuator |
| 17 | 40X4574 | 1 | 1 | 250 Sheet controller card assembly |
| 18 | 40X4571 | 1 | 1 | Upper interface cable assembly |

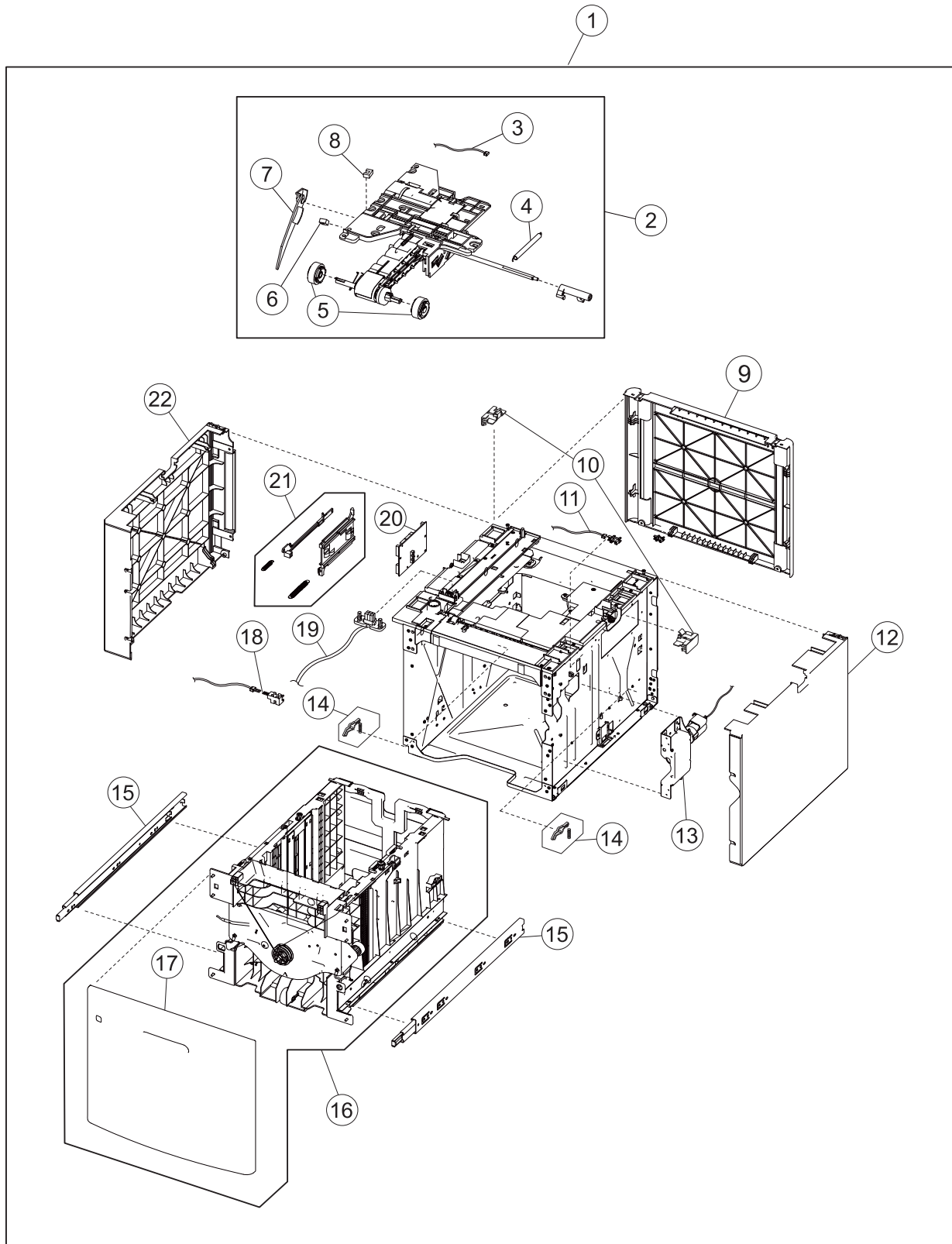
Assembly 10: 550 Sheet option tray assembly



Assembly 10: 550 Sheet option tray assembly

| Asm-Index | Part number | Units/mach | Units/kit or pkg | Description |
|-----------|-------------|------------|------------------|---|
| 1 | 40X4576 | 1 | 1 | Complete 550 sheet option tray assembly |
| 2 | 40X3454 | 1 | 1 | 550 Sheet pick arm bracket assembly |
| 3 | 40X4307 | 1 | 1 | 550 Sheet bellcrank recoil spring |
| 4 | 40X4308 | 1 | 2 | Pick roll assembly (2) |
| 5 | 40X4369 | 1 | 1 | Sensor (media low) |
| 6 | 40X4369 | 1 | 1 | Sensor (media empty) |
| 7 | 40X4310 | 1 | 1 | 550 Sheet media out actuator |
| 8 | 40X4570 | 2 | 2 | Anti-tip latch assembly |
| 9 | 40X3957 | 1 | 1 | 550 Sheet option drawer assembly |
| 10 | 40X3822 | 1 | 1 | Media tray catch spring |
| 11 | 40X4395 | 1 | 1 | Media tray roller catch assembly |
| 12 | 40X4469 | 1 | 1 | Media tray assembly, 550 sheet |
| 13 | 40X4575 | 1 | 1 | Sensor (pass through) with cable |
| 14 | 40X4473 | 1 | 1 | 550 Option drive shaft with spring |
| 15 | 40X4572 | 1 | 1 | Lower interface cable assembly |
| 16 | 40X3854 | 1 | 1 | Media size actuator |
| 17 | 40X4578 | 1 | 1 | 550 Sheet controller card assembly |
| 18 | 40X4571 | 1 | 1 | Upper interface cable assembly |

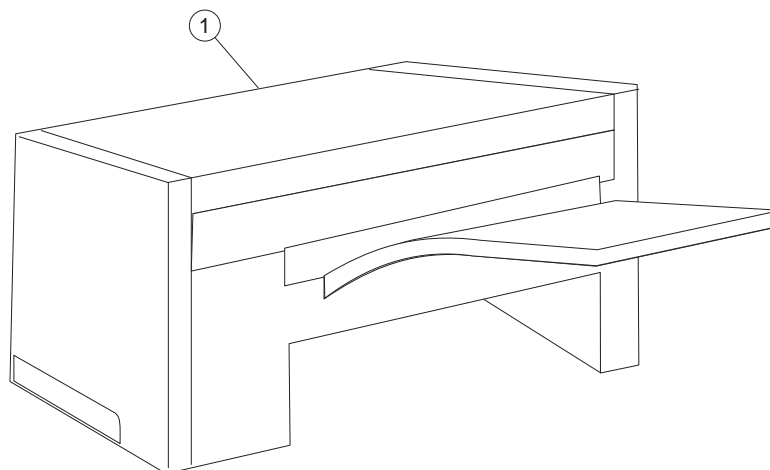
Assembly 11: HCIT Sheet option tray assembly



Assembly 11: HCIT Sheet option tray assembly

| Asm-Index | Part number | Units/mach | Units/kit or pkg | Description |
|-----------|-------------|------------|------------------|--|
| 1 | 40X4579 | 1 | 1 | Complete HCIT option tray assembly |
| 2 | 40X4590 | 1 | 2 | HCIT pick arm bracket assembly |
| 3 | 40X4595 | 1 | 1 | Pick arm sensor cable assembly |
| 4 | 40X4591 | 1 | 1 | HCIT bellcrank recoil spring |
| 5 | 40X4308 | 2 | 2 | Pick roll assembly (2) |
| 6 | 40X4369 | 2 | 1 | Sensor (media low) |
| 7 | 40X4310 | 1 | 1 | 550 Sheet media out actuator |
| 8 | 40X4369 | 2 | 1 | Sensor (media empty) |
| 9 | 40X4581 | 1 | 1 | HCIT cover, rear |
| 10 | 40X4570 | 1 | 1 | Anti-tip latch assembly |
| 11 | 40X4588 | 1 | 1 | Sensor (HCIT tray raised HP) with cable assembly |
| 12 | 40X4582 | 1 | 1 | HCIT cover, right |
| 13 | 40X4586 | 1 | 1 | HCIT tray lift drive motor assembly |
| 14 | 40X4585 | 1 | 2 | HCIT tray closed latch with spring |
| 15 | 40X4593 | 2 | 2 | HCIT drawer slide assembly |
| 16 | 40X4580 | 1 | 1 | HCIT media tray assembly |
| 17 | 40X4584 | 1 | 1 | HCIT tray cover, front |
| 19 | 40X4594 | 1 | 1 | HCIT interface cable assembly |
| 18 | 40X4589 | 1 | 2 | Sensor (HCIT pass through) with cable |
| 20 | 40X4592 | 1 | 1 | HCIT controller card assembly |
| 21 | 40X4587 | 1 | 4 | HCIT media size actuator assembly |
| 22 | 40X4583 | 1 | 1 | HCIT cover, left |

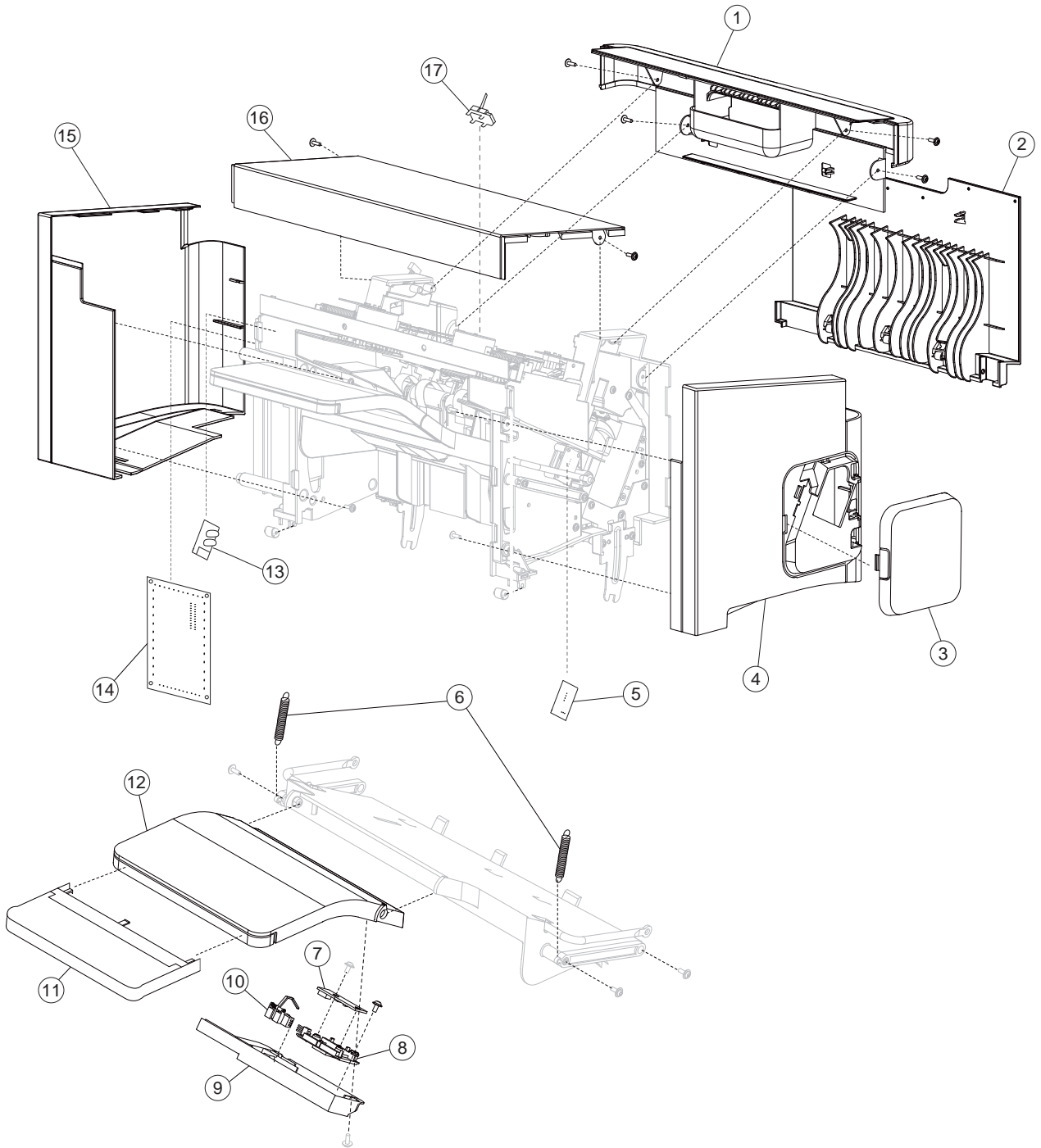
Assembly 12: SFP stapler assembly #1



Assembly 12: SFP stapler assembly # 1

| Asm-Index | Part number | Units/mach | Units/kit or pkg | Description |
|-----------|-------------|------------|------------------|---|
| 1 | 40X5547 | 1 | 1 | SFP stapler assembly (comes completely assembled) |

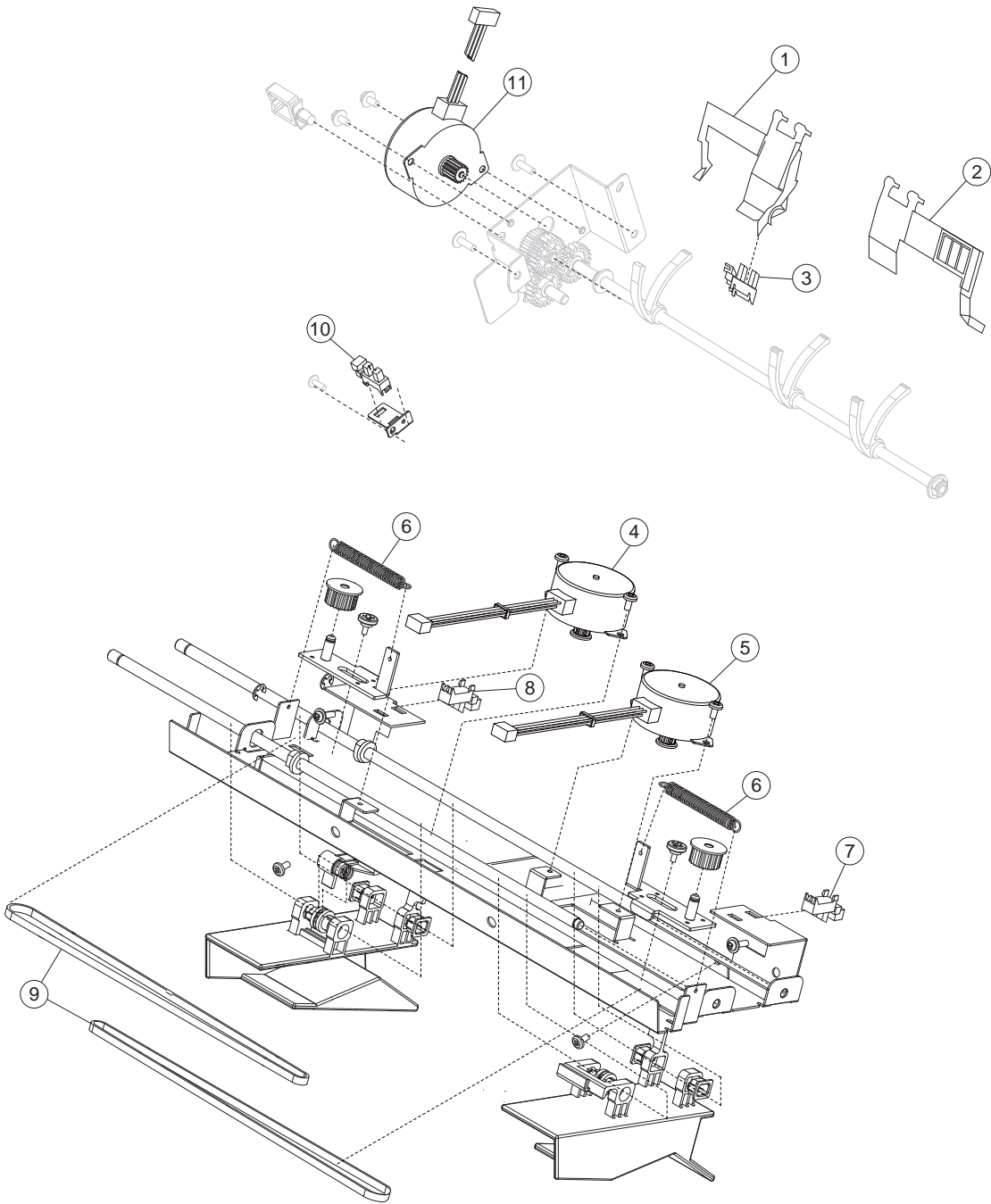
Assembly 13: SFP stapler assembly #2



Assembly 13: SFP stapler assembly #2

| Asm-Index | Part number | Units/mach | Units/kit or pkg | Description |
|------------------|--------------------|-------------------|-------------------------|--|
| 1 | 40X4612 | 1 | 1 | Handle cover |
| 2 | 40X4613 | 1 | 1 | Rear door assembly |
| 3 | 40X5910 | 1 | 1 | Stapler cover |
| 4 | 40X4610 | 1 | 1 | Right cover |
| 5 | 40X5544 | 1 | 1 | Sensor (bin full receive) |
| 6 | 40X4617 | 1 | 2 | Finisher bin spring |
| 7 | 40X5545 | 1 | 1 | Standard output bin LED |
| 8 | 40X5727 | 1 | 1 | LED clear lens |
| 9 | 40X5720 | 1 | 1 | LED sensor cover |
| 10 | 40X4618 | 1 | 1 | Sensor (finisher bin media present) |
| 11 | 40X4619 | 1 | 1 | Media output bin extension |
| 12 | 40X5541 | 1 | 1 | Media output bin |
| 13 | 40X4626 | 1 | 1 | Sensor (bin full send) |
| 14 | 40X4625 | 1 | 1 | Stapler/stacker controller card assembly |
| 15 | 40X4609 | 1 | 1 | Left cover |
| 16 | 40X4611 | 1 | 1 | Top cover |
| 17 | 40X5906 | 1 | 1 | Sensor (stapler/stacker pass through) |

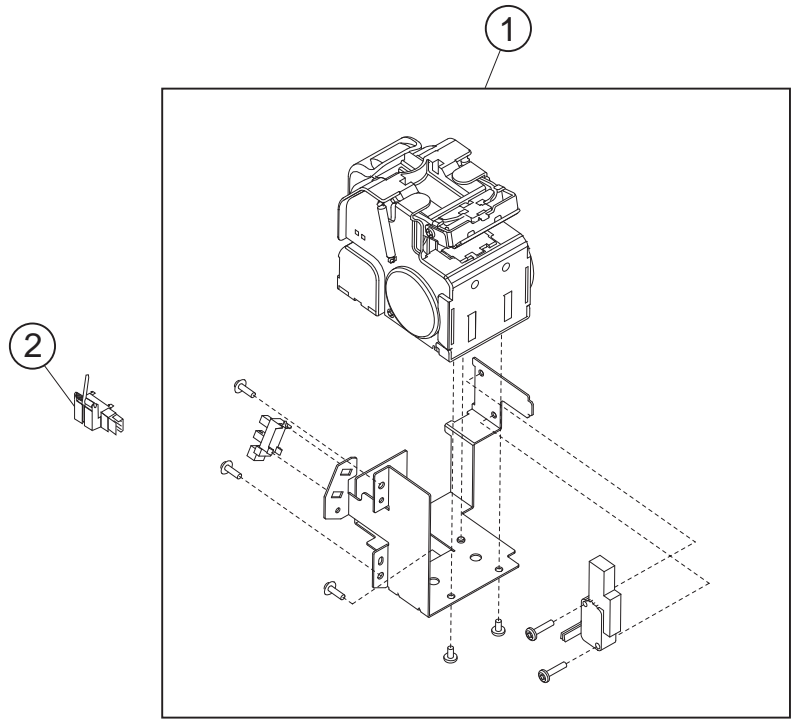
Assembly 14: SFP stapler assembly #3



Assembly 14: SFP stapler assembly #3

| Asm-Index | Part number | Units/mach | Units/kit or pkg | Description |
|------------------|--------------------|-------------------|-------------------------|-----------------------------|
| 1 | 40X4645 | 1 | 1 | Media stack flap actuator |
| 2 | 40X4646 | 1 | 1 | Media stack flap |
| 3 | 40X4369 | 1 | 1 | Sensor (media stack) |
| 4 | 40X4621 | 1 | 1 | Left tamper motor assembly |
| 5 | 40X4622 | 1 | 1 | Right tamper motor assembly |
| 6 | 40X4624 | 1 | 2 | Tamper recoil spring |
| 7 | 40X4369 | 1 | 1 | Sensor (tamper HP right) |
| 8 | 40X4369 | 1 | 1 | Sensor (tamper HP left) |
| 9 | 40X4623 | 1 | 1 | Tamper drive belt |
| 10 | 40X4369 | 1 | 1 | Sensor (paddle HP) |
| 11 | 40X4615 | 1 | 1 | Paddle drive motor |

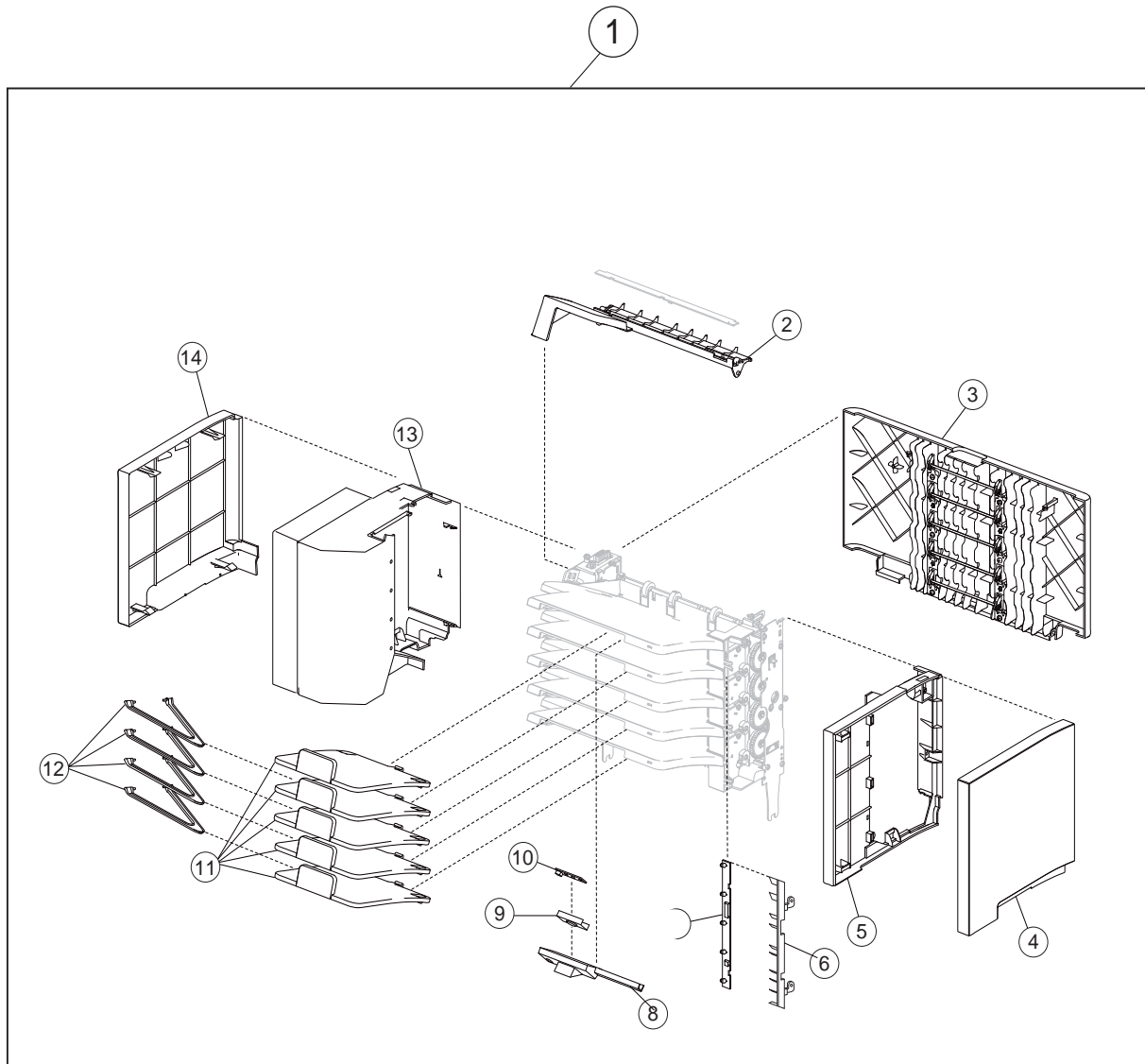
Assembly 15: SFP stapler assembly #4



Assembly 15: SFP stapler assembly #4

| Asm-Index | Part number | Units/mach | Units/kit or pkg | Description |
|------------------|--------------------|-------------------|-------------------------|---------------------------|
| 1 | 40X4641 | 1 | 1 | Stapler assembly |
| 2 | 40X5909 | 1 | 1 | Sensor (media in stapler) |

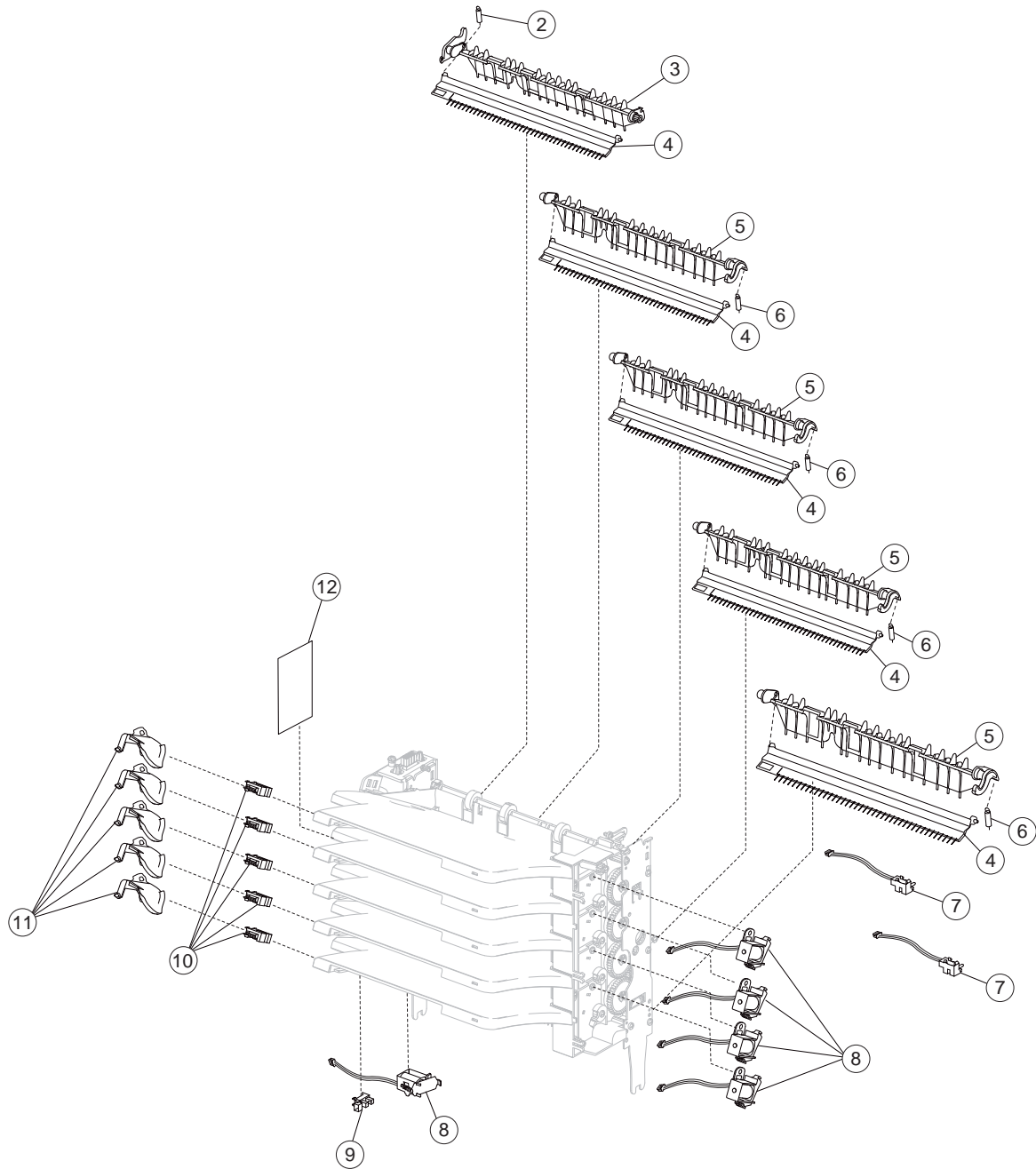
Assembly 16: 5-bin mailbox #1



Assembly 16: 5-bin mailbox #1

| Asm-Index | Part number | Units/mach | Units/kit or pkg | Description |
|------------------|--------------------|-------------------|-------------------------|--------------------------------------|
| 1 | 40X5550 | 1 | 1 | Complete 5 bin mailbox unit assembly |
| 2 | 40X5708 | 1 | 1 | Top cover |
| 3 | 40X5709 | 1 | 1 | Rear door assembly |
| 4 | 40X5712 | 1 | 1 | Right outer cover |
| 5 | 40X5713 | 1 | 1 | Right inner cover |
| 6 | 40X5756 | 1 | 1 | Output bin LED bracket |
| 7 | 40X5717 | 1 | 1 | Output bin LED assembly |
| 8 | 40X5714 | 1 | 1 | Standard output bin LED bracket |
| 9 | 40X5755 | 1 | 1 | LED clear lens |
| 10 | 40X4773 | 1 | 1 | Standard output bin LED |
| 11 | 40X5753 | 1 | 1 | Media bin extension assembly |
| 12 | 56P4191 | 1 | 1 | Media bail assembly |
| 13 | 40X5711 | 1 | 1 | Left inner cover |
| 14 | 40X5710 | 1 | 1 | Left outer cover |

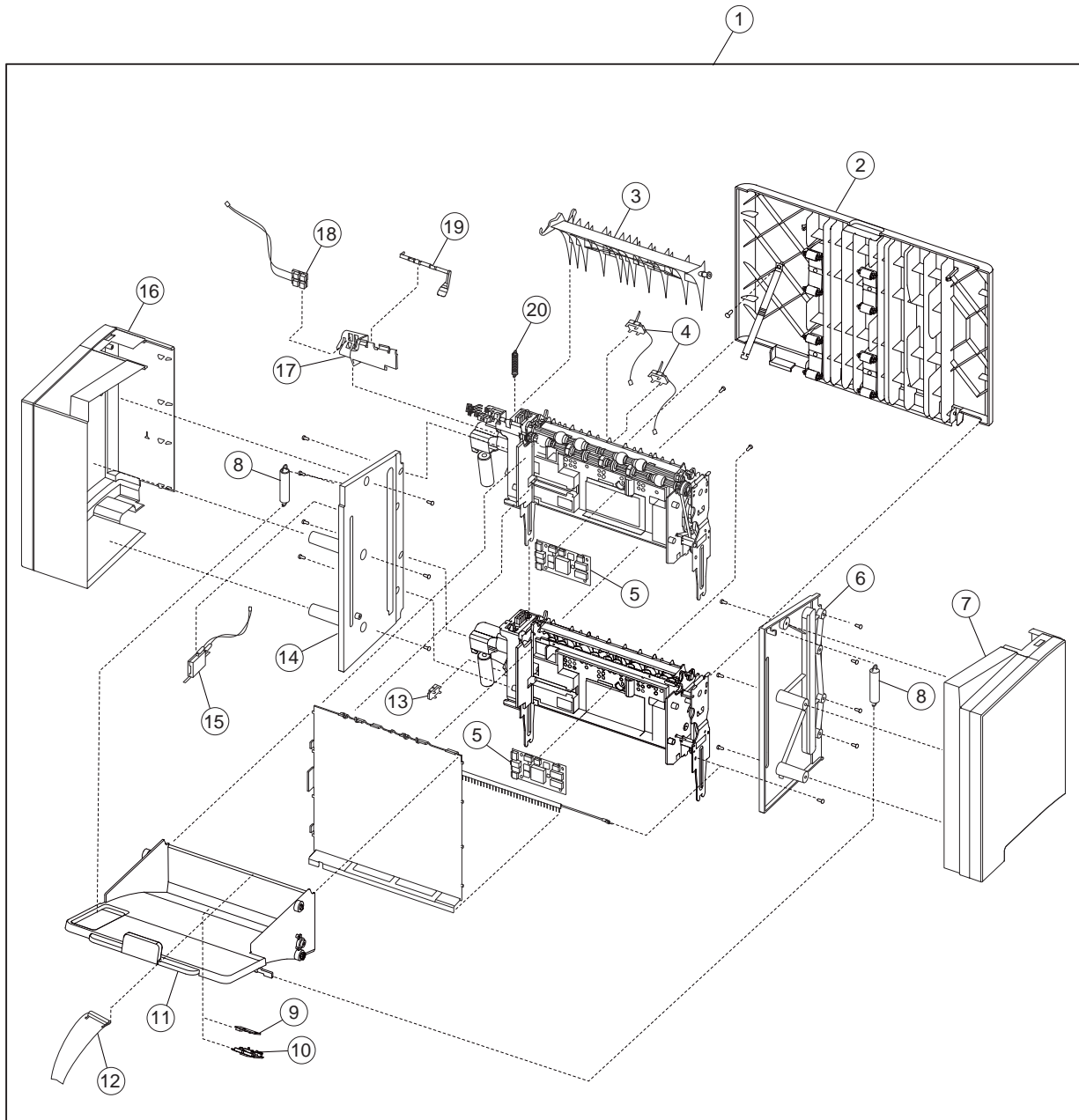
Assembly 17: 5-bin mailbox #2



Assembly 17: 5-bin mailbox #2

| Asm-Index | Part number | Units/mach | Units/kit or pkg | Description |
|-----------|-------------|------------|------------------|--|
| 1 | 40X5550 | 1 | 1 | Complete 5 bin mailbox unit assembly |
| 2 | 40X0028 | 1 | 1 | Spring (top) |
| 3 | 40X2036 | 1 | 1 | Deflector gate (top) |
| 4 | 40X4772 | 1 | 1 | Static brush mylar assembly |
| 5 | 40X2037 | 1 | 1 | Deflector gate |
| 6 | 40X2065 | 1 | 1 | Spring |
| 7 | 40X3242 | 1 | 1 | Sensor (pass through) |
| 8 | 40X2061 | 5 | 1 | Deflector gate solenoid |
| 9 | 40X4369 | 1 | 1 | Sensor (deflector gate HP) |
| 10 | 40X3240 | 1 | 1 | Sensor (media bin empty) |
| 11 | 40X2038 | 1 | 1 | Media bin full actuator |
| 12 | 40X5718 | 1 | 1 | 5 bin mailbox controller card assembly |

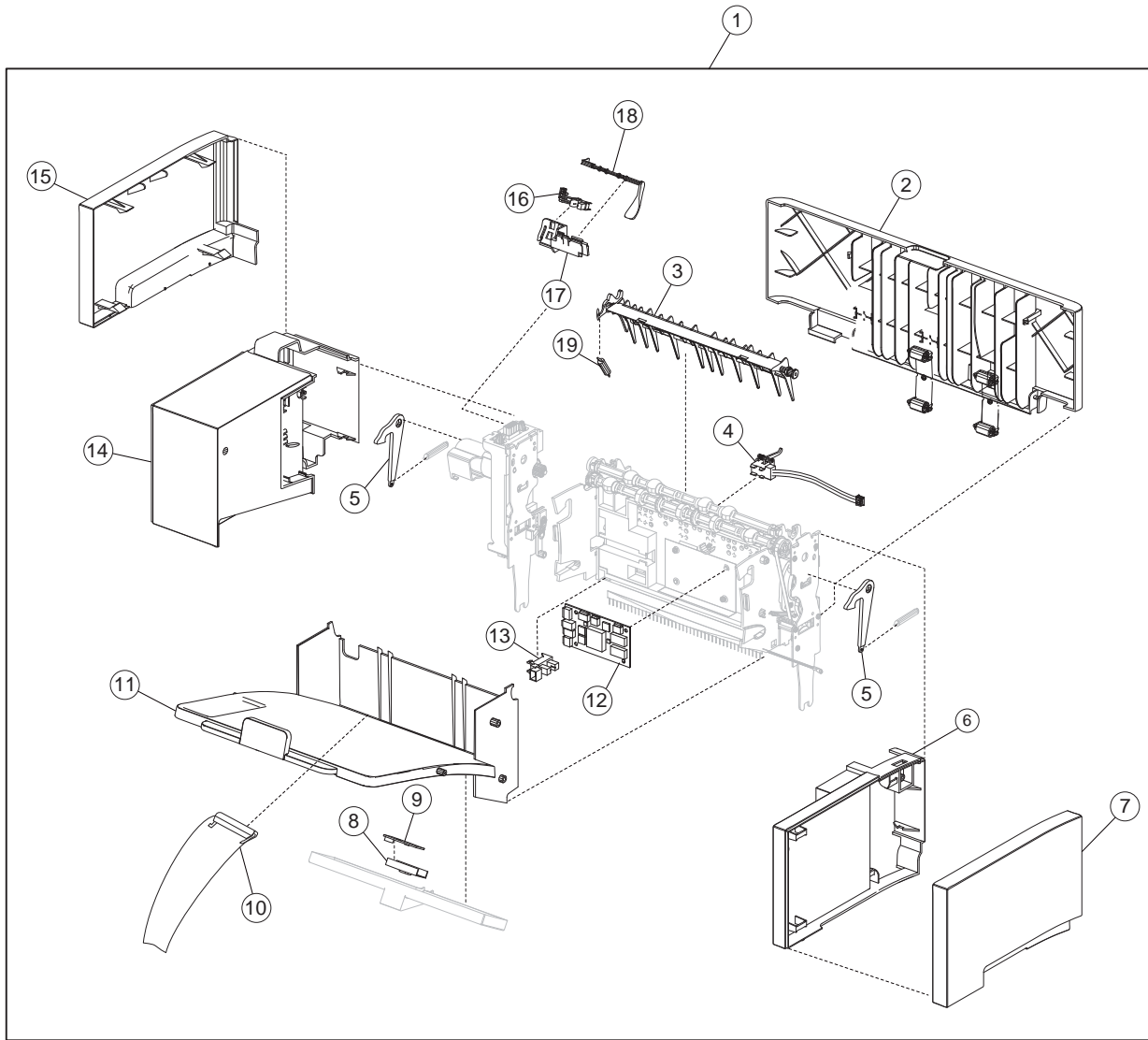
Assembly 18: High capacity stacker



Assembly 18: High capacity stacker

| Asm-Index | Part number | Units/mach | Units/kit or pkg | Description |
|-----------|-------------|------------|------------------|---|
| 1 | 40X5730 | 1 | 1 | Complete high capacity stacker assembly |
| 2 | 40X5737 | 1 | 1 | Rear door assembly |
| 3 | 40X1988 | 1 | 1 | Deflector gate |
| 4 | 40X3264 | 2 | 1 | Sensor (pass through) |
| 5 | 40X5733 | 1 | 1 | High capacity output controller card assembly |
| 6 | 40X5734 | 1 | 1 | Right frame |
| 7 | 40X5735 | 1 | 1 | Right cover |
| 8 | 56P4210 | 1 | 2 | Media output bin recoil spring |
| 9 | 40X4773 | 1 | 1 | Standard output bin LED |
| 10 | 40X5755 | 1 | 1 | LED clear lens |
| 11 | 40X5731 | 1 | 1 | Media output bin assembly |
| 12 | 40X1998 | 1 | 1 | Media bail assembly |
| 13 | 40X4369 | 1 | 1 | Sensor (deflector gate HP) |
| 14 | 40X5748 | 1 | 1 | Left frame |
| 15 | 56P4208 | 1 | 1 | Switch (media bin HP) |
| 16 | 40X5736 | 1 | 1 | Left cover |
| 17 | 40X1989 | 1 | 1 | Sensor bracket |
| 18 | 40X3265 | 1 | 1 | Sensor (media bin full assembly) |
| 19 | 56P4212 | 1 | 1 | Media bin full actuator |
| 20 | 40X0028 | 1 | 1 | Spring (top) |

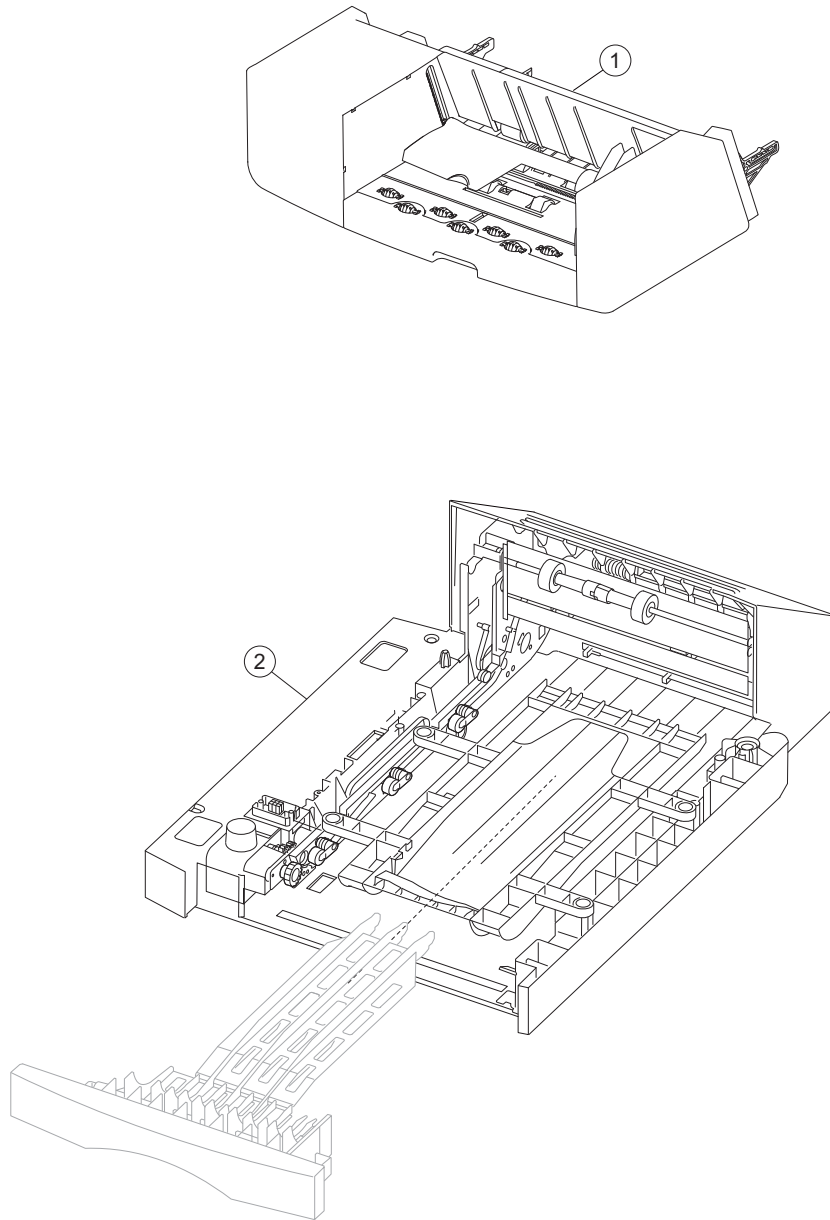
Assembly 19: Output expander



Assembly 19: Output expander

| Asm-Index | Part number | Units/mach | Units/kit or pkg | Description |
|------------------|--------------------|-------------------|-------------------------|-----------------------------------|
| 1 | 40X5719 | 1 | 1 | Complete output expander assembly |
| 2 | 40X5722 | 1 | 1 | Rear door assembly |
| 3 | 40X1988 | 1 | 1 | Deflector gate |
| 4 | 40X3264 | 1 | 1 | Sensor (pass through) |
| 5 | 40X1991 | 2 | 1 | Output expander media bin latch |
| 6 | 40X5726 | 1 | 1 | Right inner cover |
| 7 | 40X5725 | 1 | 1 | Right outer cover |
| 8 | 40X5755 | 1 | 1 | LED clear lens |
| 9 | 40X4773 | 1 | 1 | Standard output bin LED |
| 10 | 40X1998 | 1 | 1 | Media bail assembly |
| 11 | 40X5721 | 1 | 1 | Media output bin assembly |
| 12 | 40X5747 | 1 | 1 | Output expander controller card |
| 13 | 40X4369 | 1 | 1 | Sensor (deflector gate HP) |
| 14 | 40X5724 | 1 | 1 | Left inner cover |
| 15 | 40X5723 | 1 | 1 | Left Outer cover |
| 16 | 40X3265 | 1 | 1 | Sensor (media bin full) |
| 17 | 40X1989 | 1 | 1 | Sensor bracket |
| 18 | 40X1990 | 1 | 1 | Media bin full actuator |
| 19 | 40X0028 | 1 | 1 | Spring (top) |

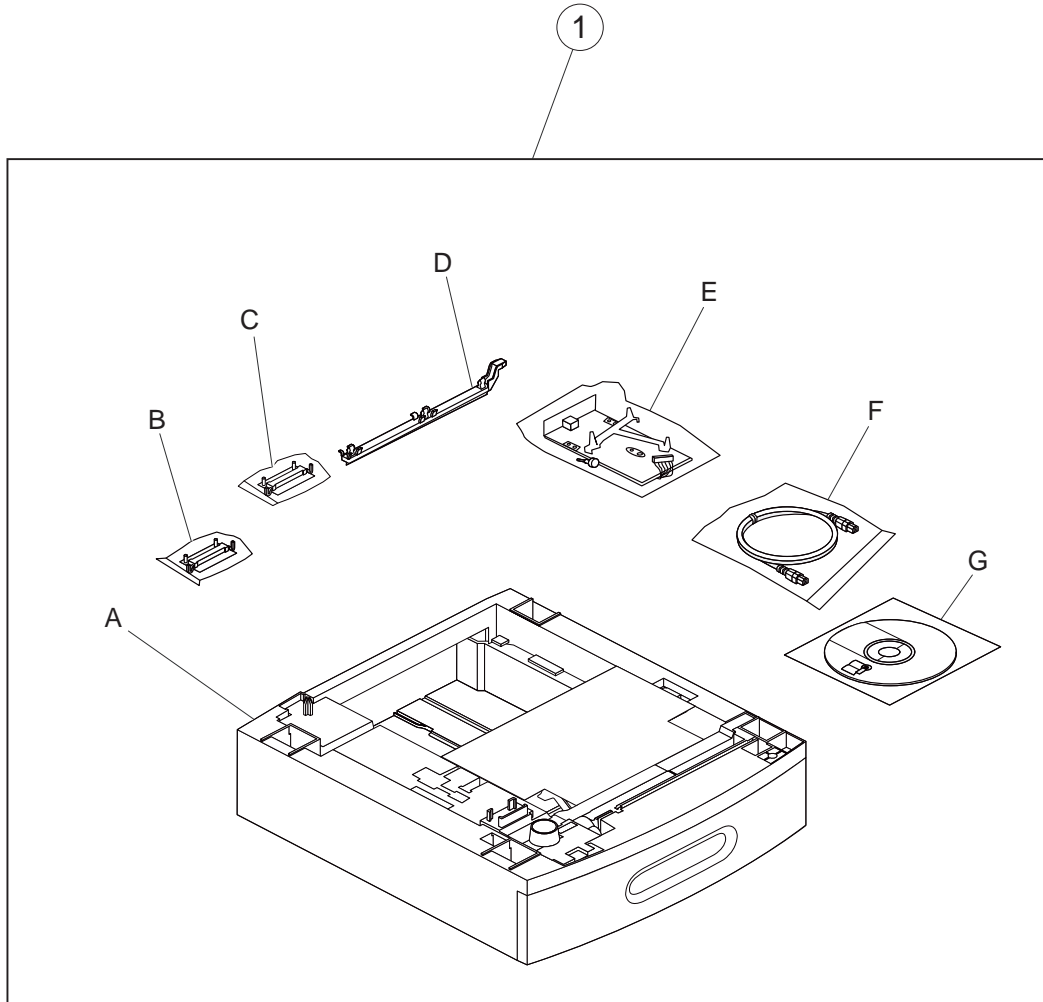
Assembly 20: Envelope feeder and external duplex



Assembly 20: Envelope feeder and external duplex

| Asm-Index | Part number | Units/mach | Units/kit or pkg | Description |
|------------------|--------------------|-------------------|-------------------------|--------------------|
| 1 | 40X5739 | 1 | 1 | Envelope feeder |
| 2 | 40X5904 | 1 | 1 | External duplex |

Assembly 21: RFID UHF Option assembly



| Asm-Index | Part number | Units/mach | Units/kit or pkg | Description |
|-----------|-------------|------------|------------------|---|
| 1 | 40X1483 | 1 | 1 | US RFID UHF option assembly including: A. RFID UHF option B. Firmware card C. User flash card D. Fuser wiper E. Interface card, plastic tee, screw F. RFID cable G. Documentation CD |
| 1 | 40X1484 | 1 | 1 | EU RFID UHF option assembly including: A. RFID UHF option B. Firmware card C. User flash card D. Fuser wiper E. Interface card, plastic tee, screw F. RFID cable G. Documentation CD |

Assembly 22: Miscellaneous

| Asm-Index | Part number | Units/mach | Units/kit or pkg | Description |
|-----------|-------------|------------|------------------|--|
| NS | 40X5903 | 1 | 1 | Relocation kit |
| NS | 40X4723 | 1 | 1 | Printer maintenance kit (100 V type 1 fuser) |
| NS | 40X4724 | 1 | 1 | Printer maintenance kit (110 V type 1 fuser) |
| NS | 40X4765 | 1 | 1 | Printer maintenance kit (220 V type 1 fuser) |
| NS | 40X4766 | 1 | 1 | Printer maintenance kit (100 V type 2 fuser) |
| NS | 40X4767 | 1 | 1 | Printer maintenance kit (110 V type 2 fuser) |
| NS | 40X4768 | 1 | 1 | Printer maintenance kit (220 V type 2 fuser) |
| NS | 40X5937 | 1 | 1 | 128MB DIMM, DDR1, for T650 and T652 |
| NS | 40X5938 | 1 | 1 | 256MB DIMM, DDR1, for T650 and T652 |
| NS | 40X5939 | 1 | 1 | 512MB DIMM, DDR1, for T650 and T652 |
| NS | 40X5301 | 1 | 1 | 256 MB SO-DIMM, DDR2 for T654 |
| NS | 40X5302 | 1 | 1 | 12MB SO-DIMM, DDR2 for T654 |
| NS | 40X5303 | 1 | 1 | 1GB (1024MB) SO-DIMM, DDR2 for T654 |
| NS | 40X5704 | 1 | 1 | 256MB user flash memory card for T65X |
| NS | 40X4822 | 1 | 1 | Hard disk drive for T65X |
| NS | 40X5057 | 1 | 1 | TAA hard drive assembly with connector |
| NS | 40X7029 | 1 | 1 | T650/T652 Prescribe card |
| NS | 40X7030 | 1 | 1 | T654 Prescribe card |
| NS | 40X5952 | 1 | 1 | Lexmark PrintCryption card |
| NS | 40X5955 | 1 | 1 | T650/T652 Bar code form card |
| NS | 40X5956 | 1 | 1 | T650/T652 Card for IPDS and SCS/TNe |
| NS | 40X5962 | 1 | 1 | T650/T652 KS emulation card |
| NS | 40X5954 | 1 | 1 | T654 F+BC card |
| NS | 40X5957 | 1 | 1 | T654 card for IPDS and SCS/TNe |
| NS | 40X5969 | 1 | 1 | Korean font card |
| NS | 40X5970 | 1 | 1 | Simplified Chinese font card |
| NS | 40X5971 | 1 | 1 | Traditional Chinese font card |
| NS | 40X5972 | 1 | 1 | Japanese font card |
| NS | 40X1556 | 1 | 1 | Parts pack, ISP thumbscrew and standoff |
| NS | 40X5316 | 1 | 1 | ISP interface cable assembly |
| NS | 40X4826 | 1 | 1 | MarkNet N8120 gigabit ethernet print server |
| NS | 40X4827 | 1 | 1 | MarkNet N8130 fiber ethernet print server |
| NS | 40X5038 | 1 | 1 | MarkNet N8150 802.11n wireless print server (US/Americas) |
| NS | 40X5039 | 1 | 1 | MarkNet N8150 802.11n wireless print server (WW, except US/Americas) |
| NS | 56P2129 | 1 | 1 | Lexmark N4000e print server |
| NS | 56P2744 | 1 | 1 | Lexmark N4050e (1 port USB) wireless 802.11g (US/Americas) |
| NS | 40X1593 | 1 | 1 | MarkNet N7000e Fast Ethernet 10/100BaseTX-USB |
| NS | 40X1594 | 1 | 1 | MarkNet N7002e Fast Ethernet 10/100BaseTX - Parallel |
| NS | 40X1592 | 1 | 1 | Lexmark MarkNet N7020e (4 port USB) ethernet 10base T/100Base TX/1000BaseT |
| NS | 40X4819 | 1 | 1 | RS-232C serial interface card |
| NS | 40X4823 | 1 | 1 | Parallel 1284-B interface card |

Assembly 22 (continued): Miscellaneous

| Asm-Index | Part number | Units/mach | Units/kit or pkg | Description |
|------------------|--------------------|-------------------|-------------------------|---------------------------------|
| NS | 40X2665 | 1 | 1 | Fuser oil wiper (black housing) |
| NS | 40X2666 | 1 | 1 | Fuser wax wiper (gray housing) |
| NS | 40X7029 | 1 | 1 | Prescribe card T650 |
| NS | 40X7030 | 1 | 1 | Prescribe card T652, T654 |
| NS | 40X1367 | 1 | 1 | 10-Foot parallel printer cable |
| NS | 40X1368 | 1 | 1 | 2-Meter USB printer cable |

Assembly 23: Power cords

| Asm-Index | Part number | Units/mach | Units/kit or pkg | Description |
|-----------|-------------|------------|------------------|--|
| NS | 40X0269 | 1 | 1 | Power cord LV, USA & Canada, Latin America |
| NS | 40X0288 | 1 | 1 | Power cord HV, Argentina |
| NS | 40X1766 | 1 | 1 | Power cord HV, Bolivia & Peru |
| NS | 40X0273 | 1 | 1 | Power cord HV, Chile, Uruguay |
| NS | 40X3141 | 1 | 1 | Power cord HV, Paraguay, Austria, Belgium, France, Germany, Italy, Netherlands, Bluemark, Czech & Solvic countries, Greece, Hungary, Medmark 1, Medmark 2, Arabic, Poland, Russia, CIS, Spain, Portugal, & Ireland |
| NS | 40X4596 | 1 | 1 | Power cord LV, Brazil PPB kits |
| NS | 40X0271 | 1 | 1 | Power cord HV, Asian, Brunei, Cambodia, Indonesia, Laos, Malaysia, Myanmar, Philippines, Singapore, Thailand, Vietnam, Afghanistan, Bangladesh, Bhutan, India, Nepal, Pakistan, Sri Lanka, Tibet, & Hong Kong |
| NS | 40X0301 | 1 | 1 | Power cord HV, Australia & New Zealand |
| NS | 40X3609 | 1 | 1 | Power cord 100 V, Japan |
| NS | 40X1792 | 1 | 1 | Power cord, HV, Korea |
| NS | 40X0303 | 1 | 1 | Power cord, HV PRC |
| NS | 40X1791 | 1 | 1 | Power cord LV, Taiwan |
| NS | 40X1774 | 1 | 1 | Power cord HV, Denmark, Finland, Norway, Sweden |
| NS | 40X0275 | 1 | 1 | Power cord, HV, Israel |
| NS | 40X1773 | 1 | 1 | Power cord HV, South Africa, Namibia, Lesotho, Botswana & Pakistan |
| NS | 40X1772 | 1 | 1 | Power cord HV, Switzerland |

Assembly 24: Universal trays and accessories

| Asm-Index | Part number | Units/mach | Units/kit or pkg | Description |
|-----------|-------------|------------|------------------|---|
| NS | 40X5857 | 1 | 1 | Universal media drawer with tray, 200 sheet |
| NS | 40X5858 | 1 | 1 | Universal media tray, 200 sheet |
| NS | 40X5859 | 1 | 1 | Universal media drawer with tray, 400 sheet |
| NS | 40X5860 | 1 | 1 | Universal media tray, 400 sheet |
| NS | 40X5945 | 1 | 1 | 33" banner drawer with tray |
| NS | 40X5946 | 1 | 1 | 33" banner tray |
| NS | 40X5947 | 1 | 1 | 48" banner drawer with tray |
| NS | 40X7007 | 1 | 1 | 48" banner tray |
| NS | 40X5863 | 1 | 1 | Adjustable label stacking device |
| NS | 40X5861 | 1 | 1 | Kiosk presenter |
| NS | 40X7001 | 1 | 1 | Wear strips, smooth 250 sheet |
| NS | 40X7002 | 1 | 1 | Wear strips, dimpled 250 sheet |
| NS | 99A1206 | 1 | 1 | Wear strips, 3 row dimpled 250 sheet |
| NS | 40X2786 | 1 | 1 | Wear strips, 4 row dimpled 250 sheet |
| NS | 40X7003 | 1 | 1 | Wear strips, 3 row dimpled 550 sheet |
| NS | 40X7004 | 1 | 1 | Wear strips, dinky 550 sheet |
| NS | 40X2787 | 1 | 1 | Wear strips, 3 row dimpled 550 sheet |
| NS | 40X2788 | 1 | 1 | Wear strips, 4 row dimpled 550 sheet |
| NS | 40X7009 | 1 | 1 | 250 sheet tray replacement wear strip kit |
| NS | 40X7010 | 1 | 1 | 550 sheet tray replacement wear strip kit |