

7. Parts catalog

How to use this parts catalog

The following legend is used in the parts catalog:

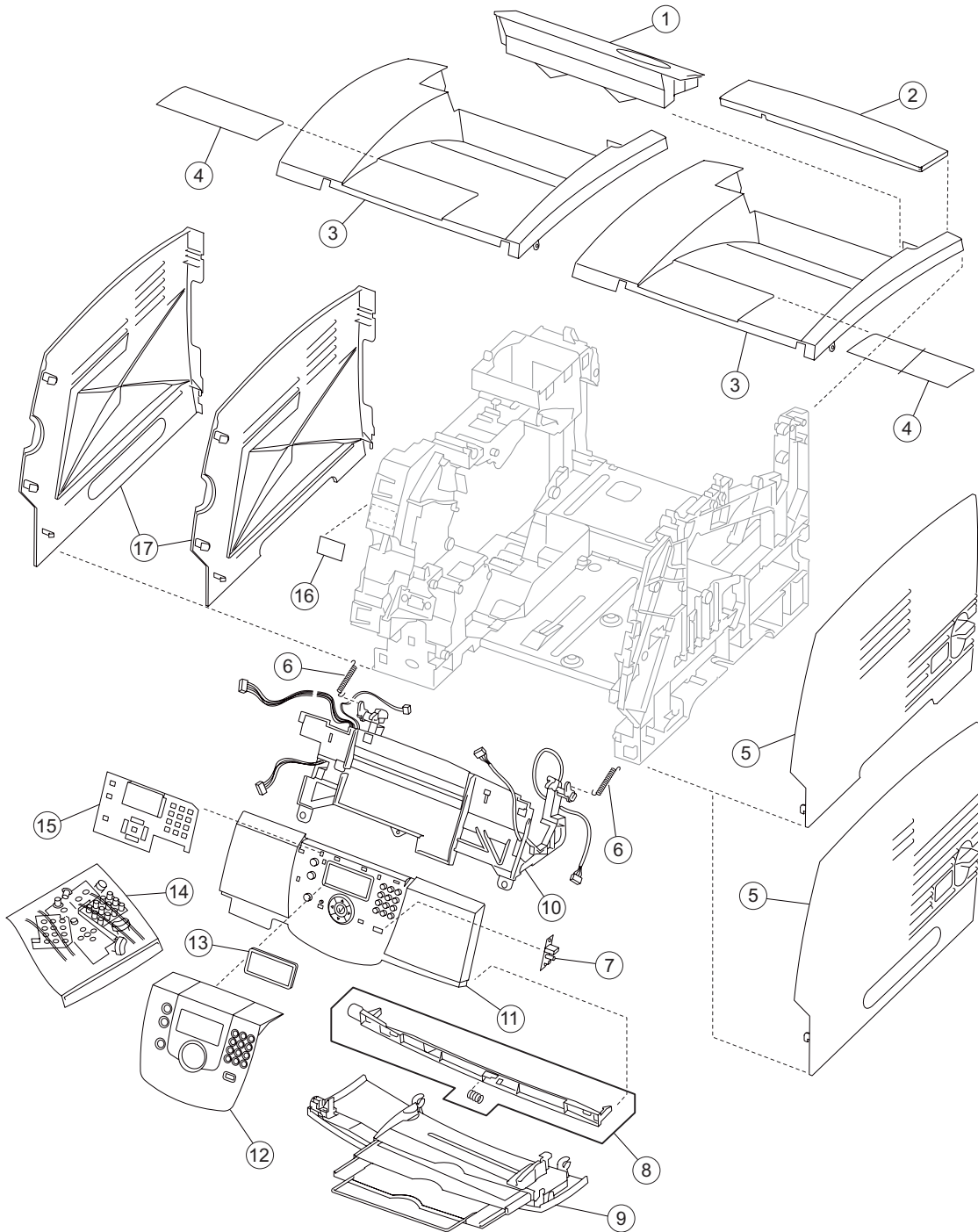
Asm-Index	Part number	Units/mach - OR - Units/option	Units/ kit or pkg	Description
-----------	-------------	--------------------------------------	-------------------------	-------------

- **Asm-index:** identifies the assembly and the item in the diagram. For example, 3-1 indicates Assembly 3 and the item number 1.
- **Part number:** identifies the unique number that identifies this FRU.
- **Units/mach:** refers to the number of units actually used in the base machine or product.
- **Units/option:** refers to the number of units used in the option and does not include the base machine.
- **Units/kit or pkg:** refers to the number of units packaged together and identified by the part number.
- **NS:** (Not shown) in the Asm-Index column indicates that the part is procurable but is not pictured in the illustration.
- **PP:** (Parts Packet) in the parts description column indicates the part is contained in a parts packet.

Model information used in the parts catalog.

Model name	Configuration	Machine type	Parts catalog
Lexmark T640	Non-network	4061-000	000
Lexmark T640n	Network	4061-010	010
Lexmark T642	Non-network	4061-200	200
Lexmark T642n	Network	4061-210	210
Lexmark T644	Non-network	4061-400	400
Lexmark T644n	Network	4061-410	410

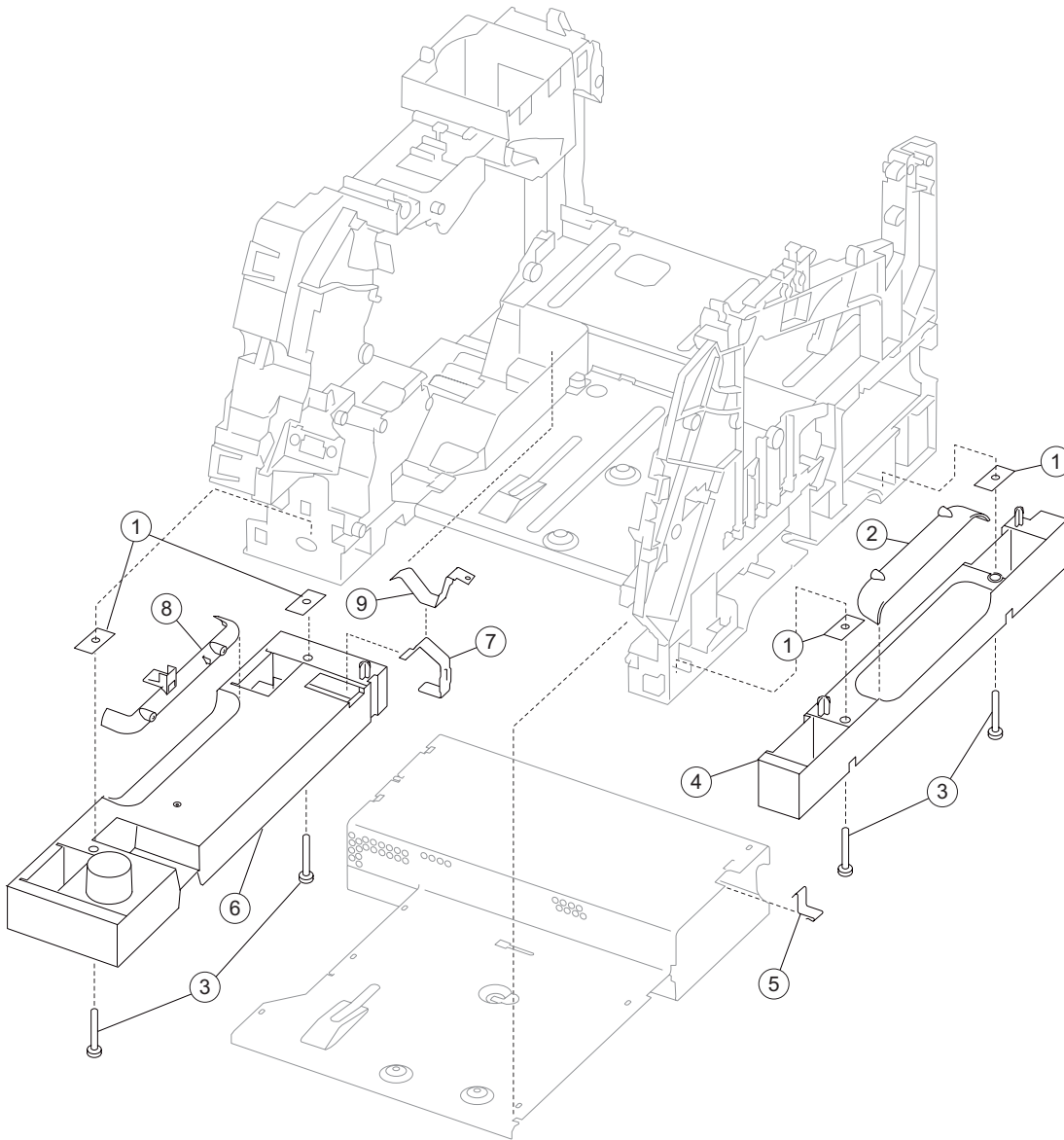
Assembly 1: Covers



Assembly 1: Covers

Asm-Index	Part number	Units/mach	Units/kit or pkg	Description
1—1	40X0001	1	1	Fuser wiper cover assembly
2	40X0002	1	1	Redrive cap cover assembly
3	40X0003	1	1	Laser cover assembly—250-sheet output, 000/010
3	40X0004	1	1	Laser cover assembly—500-sheet output, 200/210/400/410
4	40X0005	1	1	Paper support
5	40X0007	1	1	Right side cover—250-sheet output, 000/010
5	40X0008	1	1	Right side cover—500-sheet output, 200/210/400/410
6	40X0050	2	1	Counterbalance spring
7	40X0151	1	1	USB board assembly
8	40X0011	1	1	Upper front cover latch kit
9	40X0017	1	1	Lower front cover assembly
10	40X0006	1	1	Upper front cover hinge assembly, includes: <ul style="list-style-type: none"> • USB cable (1) • Cover open switch and cable (1) • Left cable cover (1) • Right cable cover (1) • Left hinge spring (1) • Right hinge spring (1)
11	40X0010	1	1	Upper front cover assembly with Lexmark logo, including <ul style="list-style-type: none"> • Operator panel board (1) • Stop button (1) • Menu button (1) • Back button (1) • LED cap (1) • Navigation buttons (4) • Number pad buttons (1) • Navigation select button (1) • Number pad rubber dome sheet (1) • USB board (1) • Functional rubber sheet (1)
12	40X0014	1	1	Operator panel outer bezel with Lexmark logo, T640
12	40X0233	1	1	Operator panel outer bezel with Lexmark logo T642
12	40X0234	1	1	Operator panel outer bezel with Lexmark logo T644
13	40X0013	1	1	Clear LCD bezel
14	40X0235	1	1	Kit, upper front panel button, including: <ul style="list-style-type: none"> • Stop button (1) • Menu button (1) • Back button (1) • LED cap (1) • Navigation buttons (4) • Number pad buttons (1) • Navigation select button (1) • Number pad rubber dome sheet (1) • Functional rubber sheet (1)
15	40X0195	1	1	Operator panel board assembly
16	40X0009	1	1	TLI/ID/serial number label—blank
17	40X0020	1	1	Left side door cover, 250-sheet—1-slot, 000/010
17	40X0023	1	1	Left side door cover, 500-sheet—2-slot, 200/210/400/410
NS		5	10	Parts packet (cable ties) (PP 40X0174)

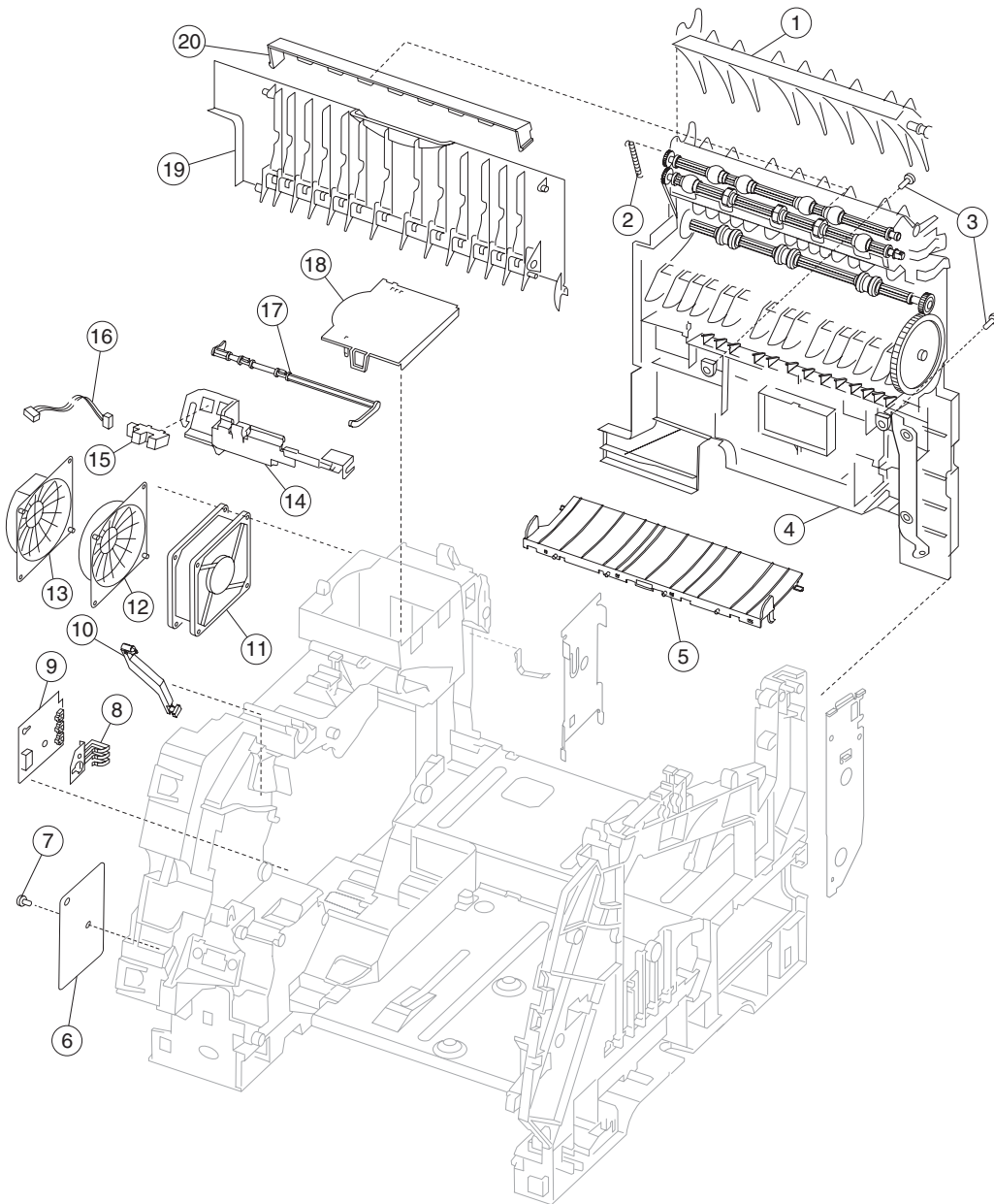
Assembly 2: Frame 1



Assembly 2: Frame 1

Asm-Index	Part number	Units/mach	Units/kit or pkg	Description
1	40X0065	4	1	Frame extension, nut plate, 200/210/400/410
2	40X0225	1	1	Right side hand holder
3		4	4	Parts packet (PP 40X0165)
4	40X0024	1	1	Right frame extension, 200/210/400/410
5	40X0026	1	1	Right side frame ground contact
6	40X0025	1	1	Left frame extension, 200/210/400/410
7	40X0060	1	1	External ground clip
8	40X0231	1	1	Left side hand holder
9	40X0285	1	1	Frame clip

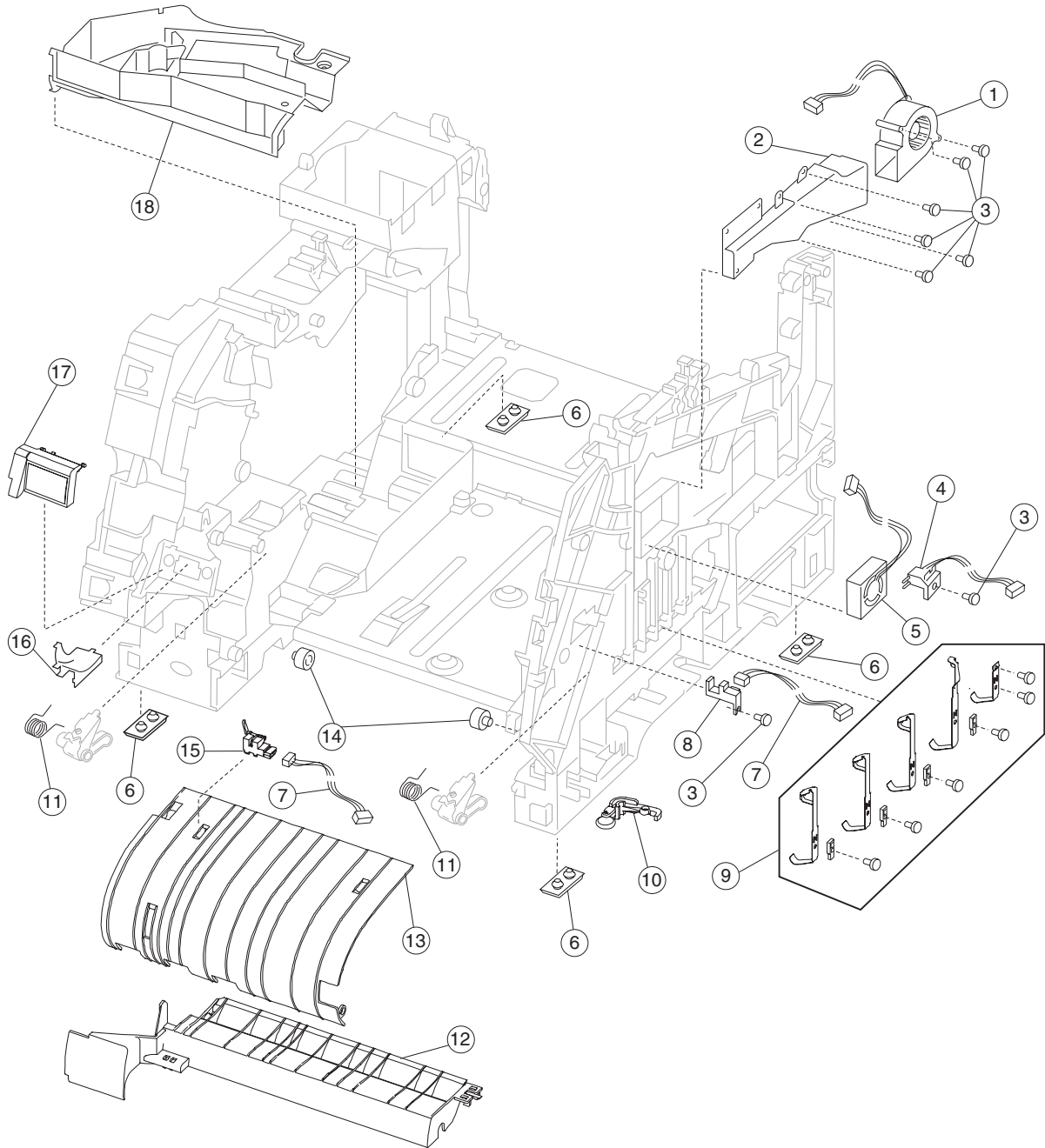
Assembly 3: Frame 2



Assembly 3: Frame 2

Asm-Index	Part number	Units/mach	Units/kit or pkg	Description
3—1	40X0027	1	1	Upper redrive deflector
2	40X0028	1	1	Upper diverter spring
3		2	2	Parts packet, redrive mounting screws (P/N 40X0253)
4	40X0029	1	1	Redrive assembly—250-sheet in/250 out, 000/010
4	40X0030	1	1	Redrive assembly—500-sheet in/500 out, 200/210/400/410
5	40X0032	1	1	Transfer deflector
6	40X0044	1	1	Gear guard
7			3	Parts packet (PP 40X0165)
8	40X0048	1	1	Paper switch activate spring
9	40X0046	1	1	Paper size sensing board assembly
10	40X0049	1	1	Gear release link
11	40X0053	1	1	Main fan with cable—250-sheet output
11	40X0054	1	1	Main fan with cable—500-sheet output
12	40X0212	1	1	Main fan duct, 200/210/400/410
13	40X0211	1	1	Main fan duct, 000/010
14	40X0052	1	1	Standard bin level sensor bracket
15	40X0051	1	1	Standard bin level sensor
16	40X0264	1	1	Standard bin level sensor cable
17	40X0057	1	1	Output paper level flag, 000/010
17	40X0058	1	1	Output paper level flag, 200/210/400/410
18	40X0210	1	1	Main fan cap
19	40X0056	1	1	Redrive door assembly 250 sheet 000/010
19	40X0232	1	1	Redrive door assembly 500 sheet 200/210/400/410
20	40X0059	1	1	Extension guide

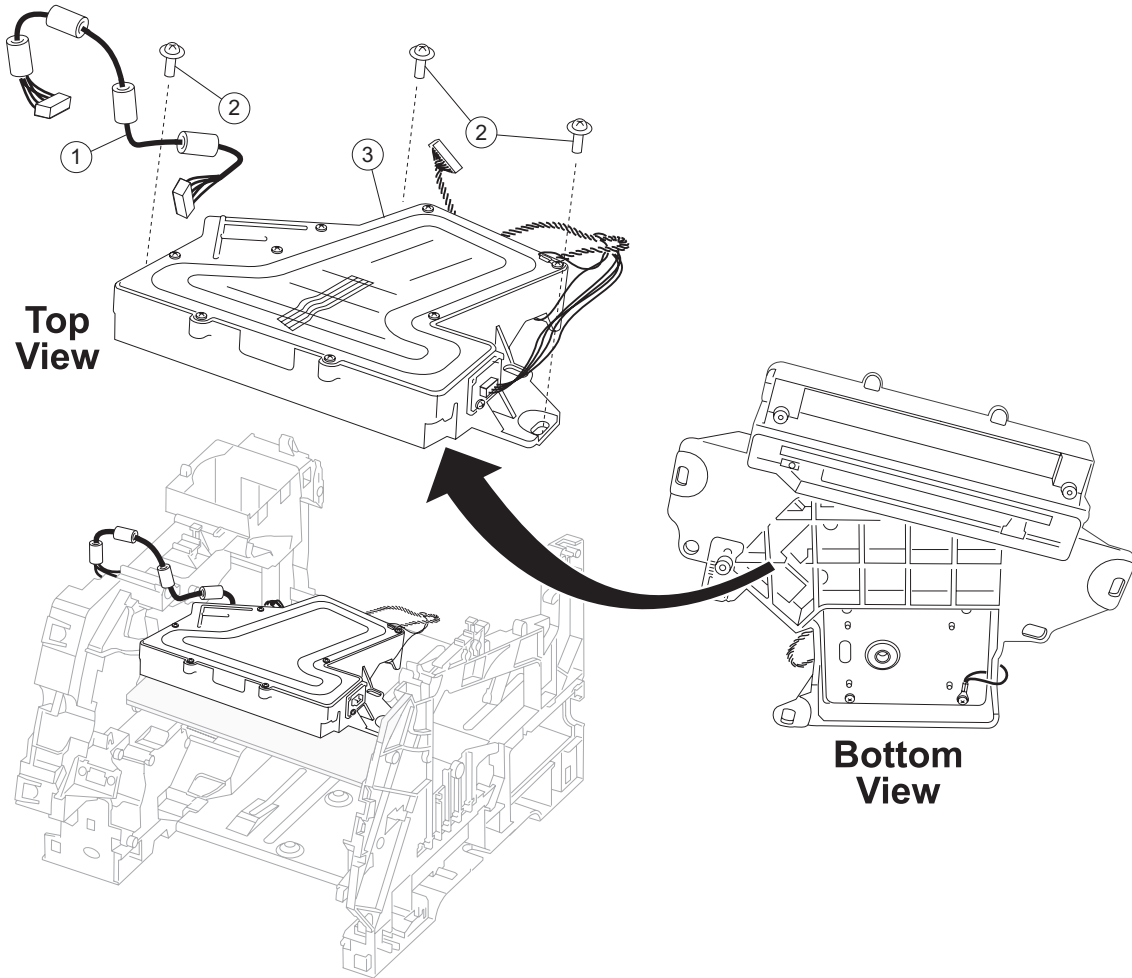
Assembly 4: Frame 3



Assembly 4: Frame 3

Asm-Index	Part number	Units/mach	Units/kit or pkg	Description
4—1	40X0249	1	1	EP DC fan assembly, 200/210/400/410
2	40X0208	1	1	Blower duct, 200/210/400/410
3		1	1	Parts packet (PP 40X0165)
3		1	1	Parts packet (PP 40X0165)
4	40X0034	1	1	Signature button sensor assembly
5	40X0035	1	1	EP DC fan assembly, 000/010
6	40X0033	4	1	Machine mounting pad
7	40X0223	1	1	HVPS/input sensor/toner sensor cable assembly
8	40X0036	1	1	Toner sensor assembly
9	40X0306	1	1	High voltage contact kit, including: <ul style="list-style-type: none"> • Charge roll contact (1) • Doc/TAR/Dev contact (3) • PC drum contact (1) • Screw (5) • Screw block (4)
10	40X0213	1	1	Tray bias assembly
11	40X0021	2	1	Cartridge holddown assembly
12	40X0040	1	1	Upper paper feed deflector
13	40X0041	1	1	Inner paper feed deflector, 000/010
13	40X0042	1	1	Inner paper feed deflector, 200/210/400/410
14	40X0039	2	1	Developer support roller
15	40X0043	1	1	Input sensor
16	40X0209	1	1	Gear #60 MPF shield
17	40X0045	1	1	ESD shield with label
18	40X0207	1	1	EP duct

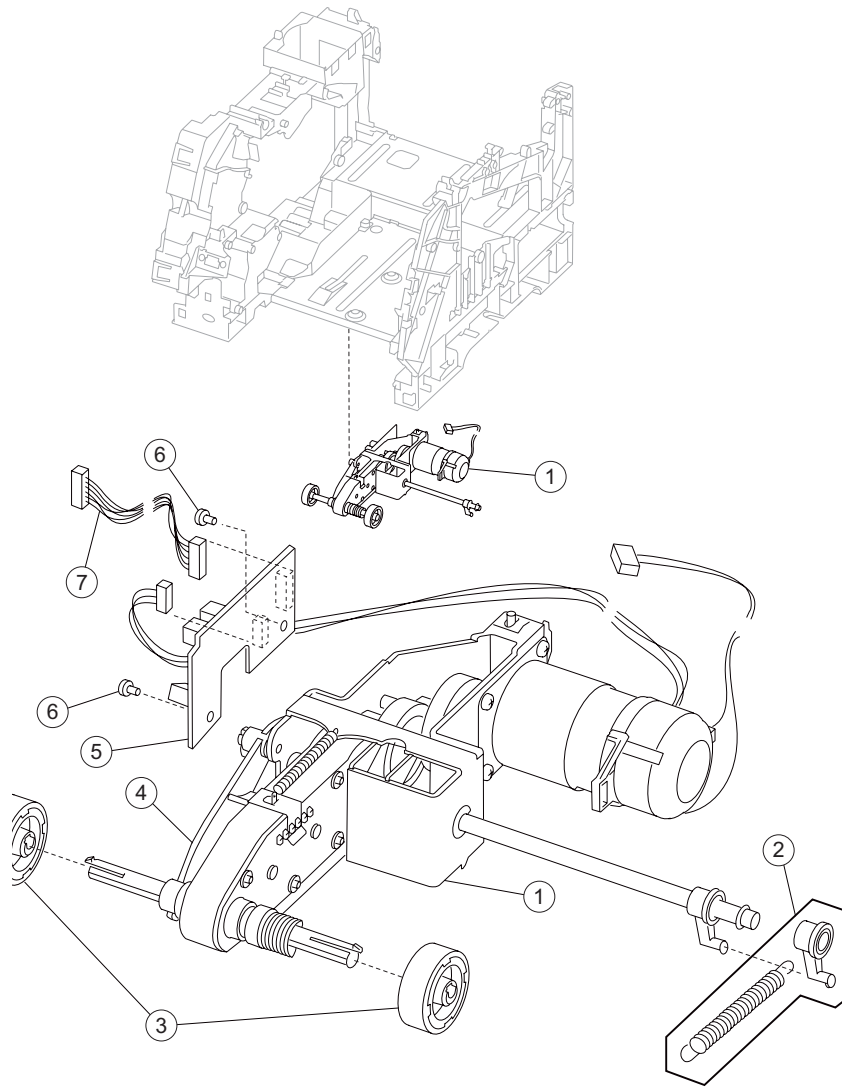
Assembly 5: Printhead



Assembly 5: Printhead

Asm-Index	Part number	Units/mach	Units/kit or pkg	Description
4—1	40X0061	1	1	Laser cable assembly
2				Parts packet (printhead mounting screw) (PP 40X0165)
3	40X0062	1	1	Printhead assembly (includes all cables) CAUTION: The printhead is not a serviceable FRU. Do not disassemble the printhead.

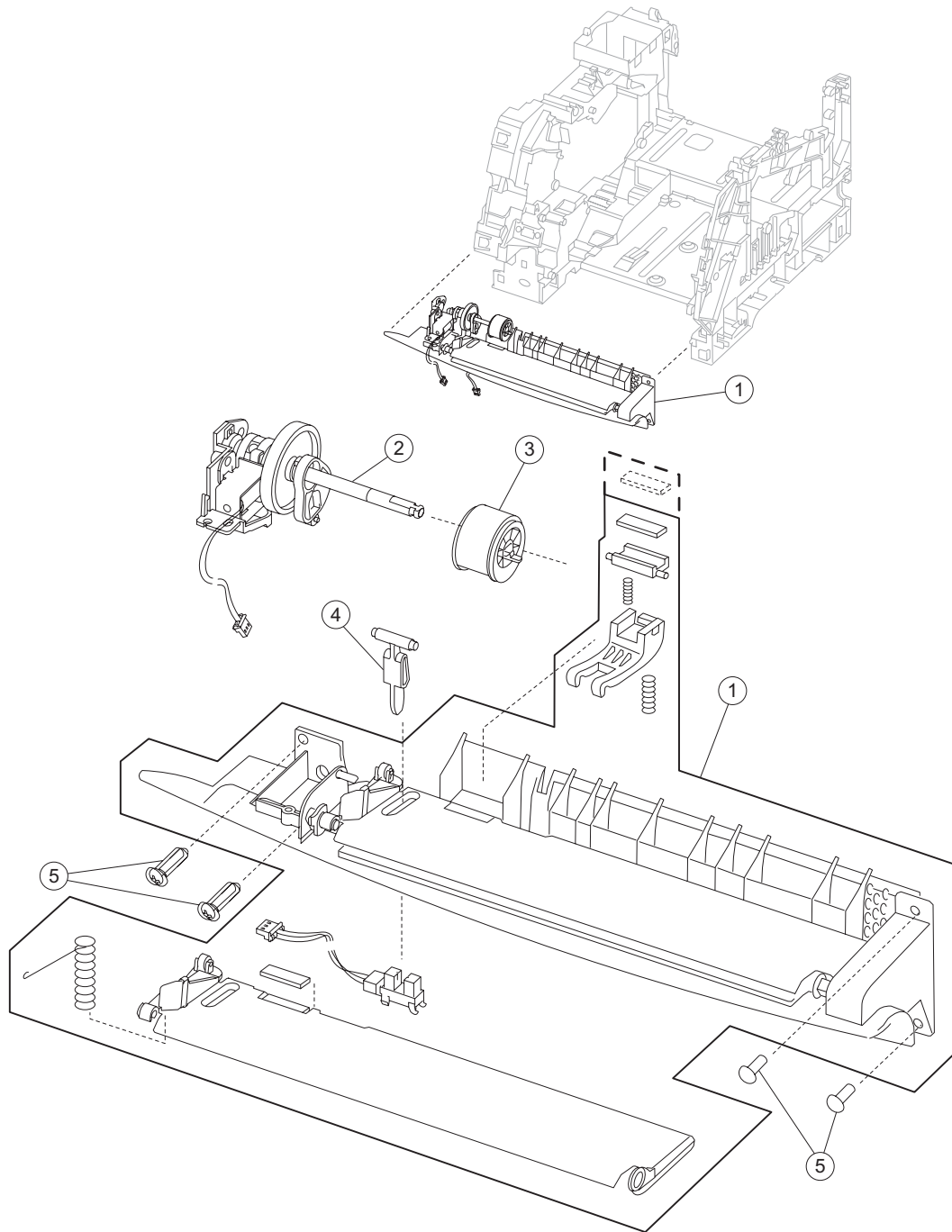
Assembly 6: Paper feed—autocompensator



Assembly 6: Paper feed—autocompensator

Asm-Index	Part number	Units/mach	Units/kit or pkg	Description
6—1	40X0066	1	1	Pick arm assembly—500-sheet, 200/210/400/410
1	40X0067	1	1	Pick arm assembly—250-sheet, 000/010
2	40X0068	1	1	Parts packet, bellcrank assembly—250-sheet tray, 000/010 <ul style="list-style-type: none"> • Bellcrank (1) • Spring (1)
2	40X0069	1	1	Parts packet, bellcrank assembly for—500-sheet tray, 200/210/400/410 <ul style="list-style-type: none"> • Bellcrank (1) • Spring (1)
3	40X0070	2	2	Pick roll assembly
4	40X0071	1	1	Paper out flag—250-sheet tray, 000/010
4	40X0072	1	1	Paper out flag—500-sheet tray, 200/210/400/410
5	40X0073	1	1	Paper low/out sensor card assembly
6				Parts packet (hanger) (PP 40X0165)
7	40X0074	1	1	Paper size/autocompensator cable

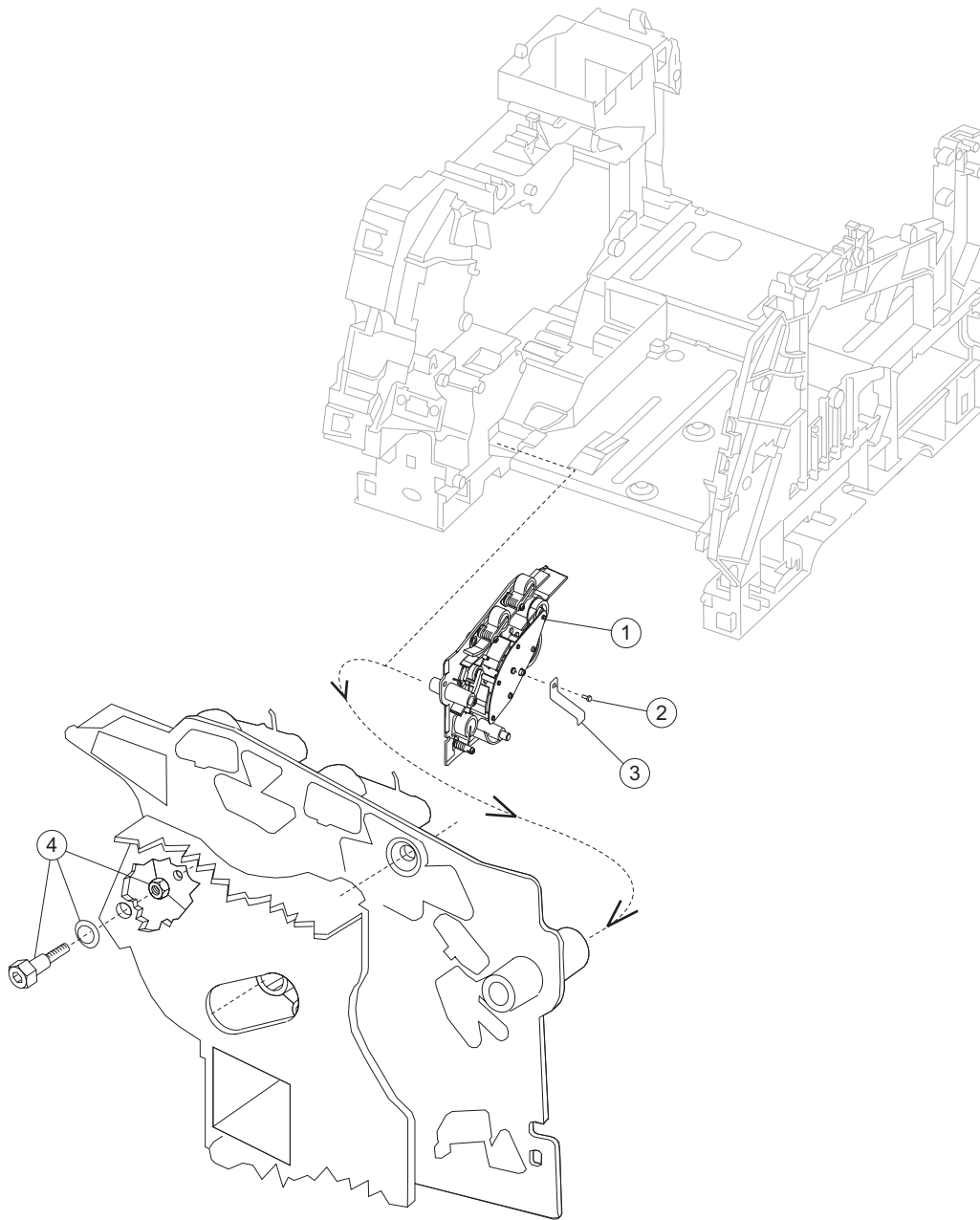
Assembly 7: Paper feed—multipurpose feeder



Assembly 7: Paper feed—multipurpose feeder

Asm-Index	Part number	Units/mach	Units/kit or pkg	Description
7—1	40X0079	1	1	Multipurpose feeder lower deflector assembly
2	40X0310	1	1	Multipurpose feeder pick arm assembly with solenoid
3	40X0076	1	1	Pick roll assembly
4	40X0077	1	1	Multipurpose feeder paper out flag
5				Parts packet (lower deflector mounting screw, 8 mm) (PP 40X0165)
5				Parts packet (lower deflector mounting screw, 12 mm) (PP 40X0165)
5		1	1	Parts packet (frame mounting screw) (PP 40X0165)
NS				Parts packet (pick roll shaft clip) (PP 40X0165)

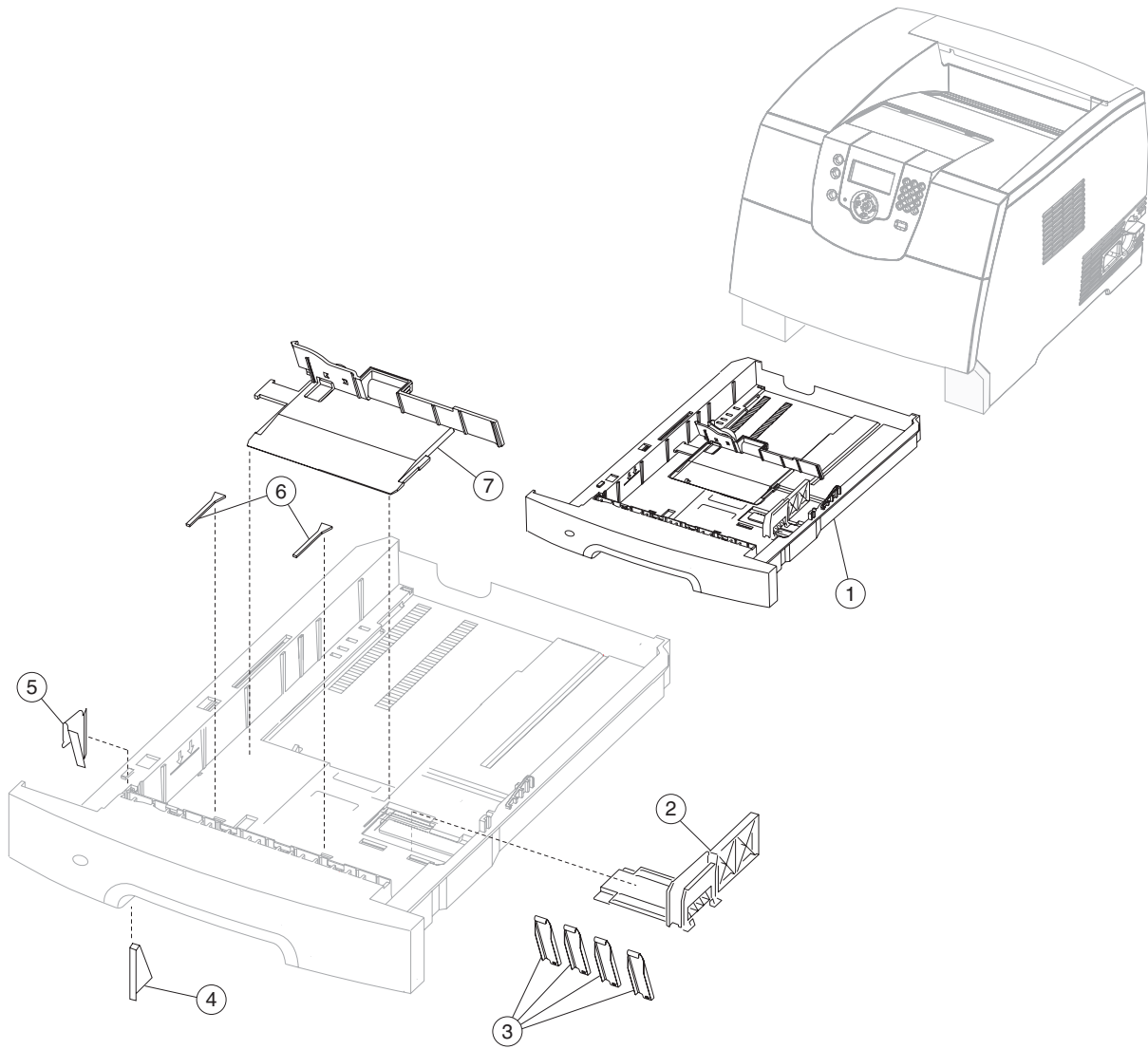
Assembly 8: Paper feed—alignment



Assembly 8: Paper feed—alignment

Asm-Index	Part number	Units/mach	Units/kit or pkg	Description
8—1	40X0084	1	1	Paper feed alignment assembly paper feed
2				Parts packet (clip ref ground mounting screw) (PP 40X0165)
3	40X0085	1	1	Reference ground clip
4	40X0086			Parts packet (reference adjust) <ul style="list-style-type: none"> • Screw, paper reference adjust (1) • Washer, paper reference adjust (1) • Nut, paper reference adjust (1)
NS				Parts packet (alignment asm mounting screw) (PP 40X0165)

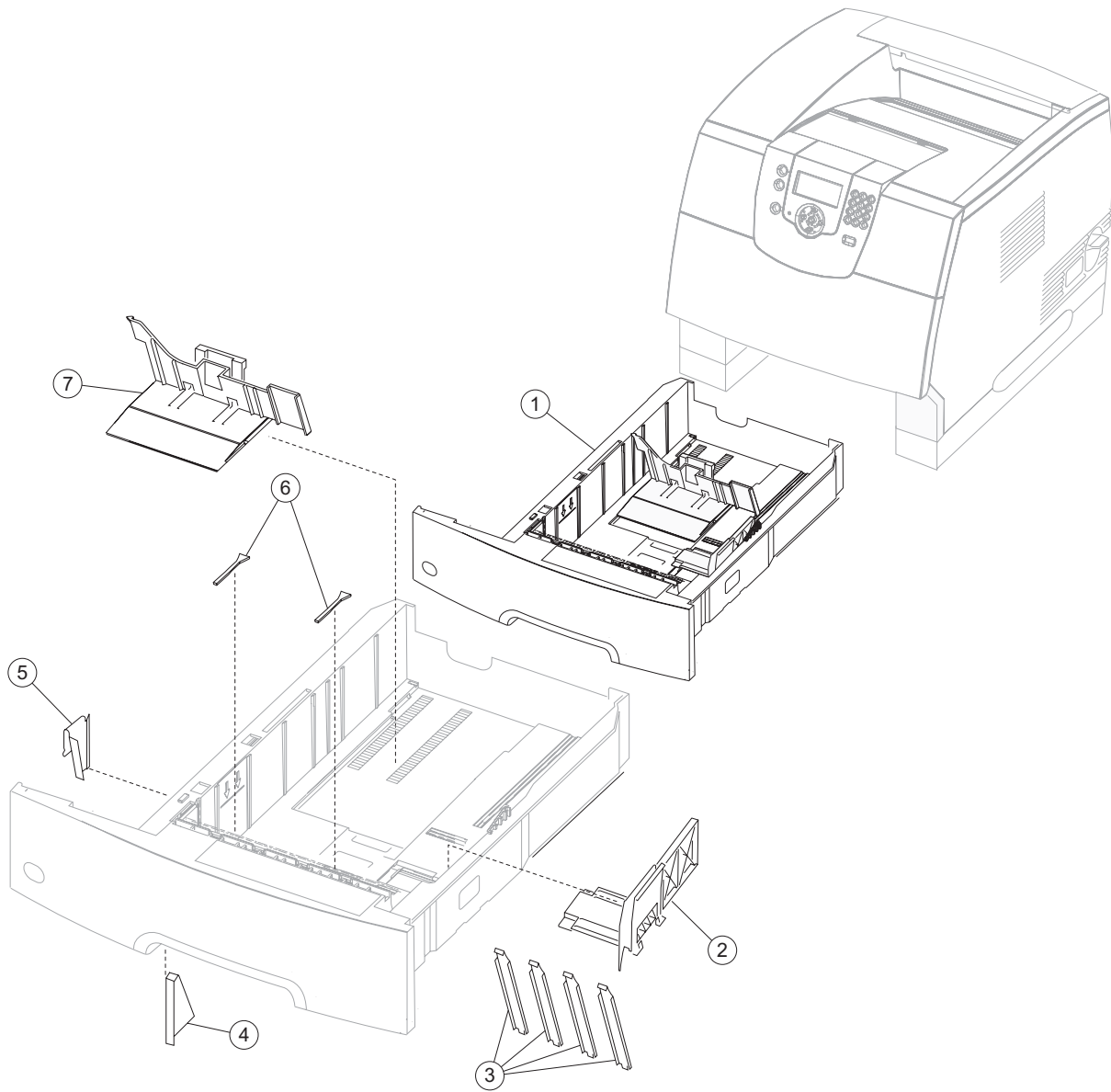
Assembly 9: Integrated 250-sheet paper tray



Assembly 9: Integrated 250-sheet paper tray

Asm-Index	Part number	Units/mach	Units/kit or pkg	Description
9—1	40X3231	1	1	Integrated 250-sheet tray
2	40X0092	1	1	Side restraint—250-sheet tray
3	40X0093	4	1	Wear strips
4	40X0263	1	1	Pass thru plate—250-sheet tray
5	40X0094	1	1	Wear plate—250-sheet tray
6	40X0105	2	1	Restraint pad
7	40X0090	1	1	Back restraint—250-sheet tray

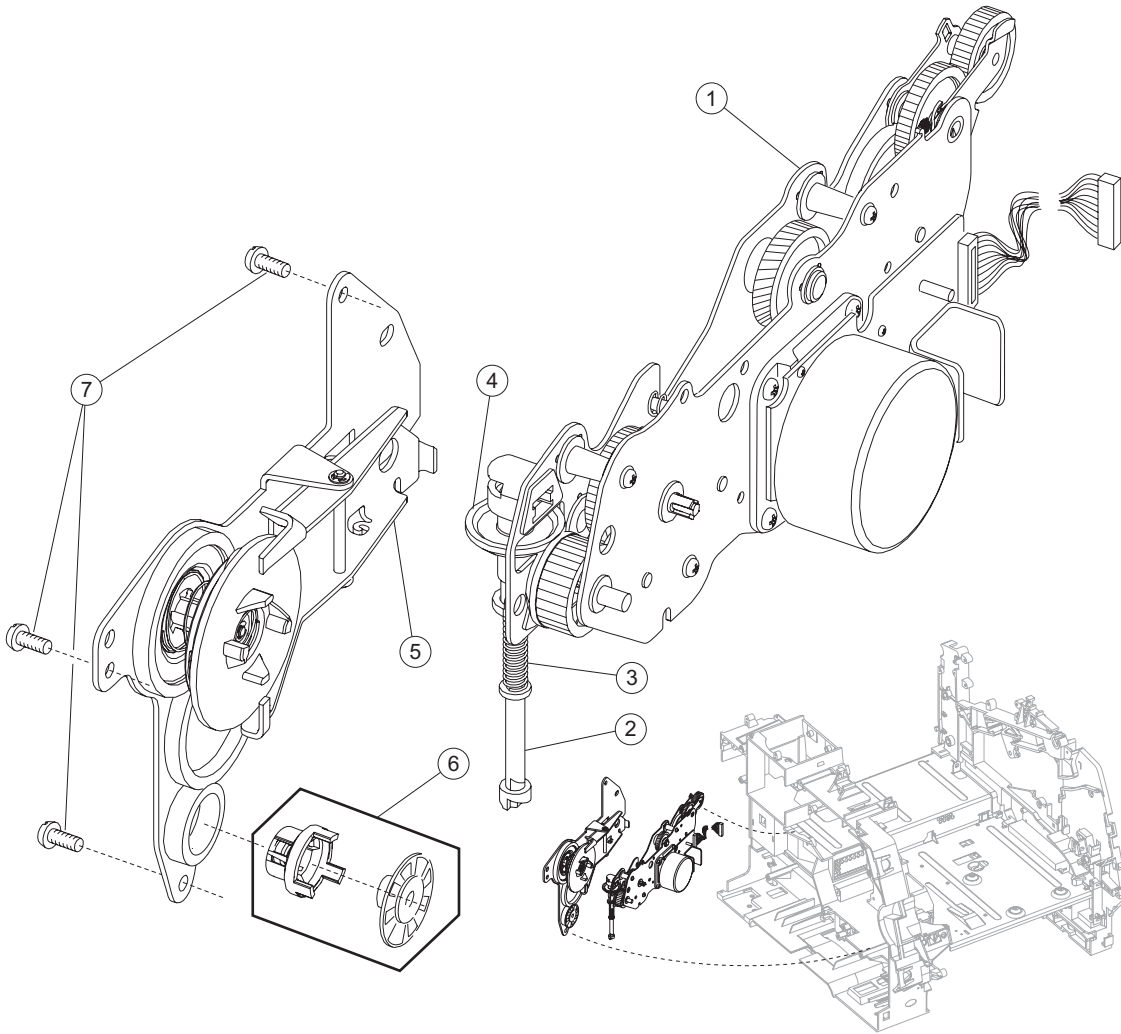
Assembly 10: Integrated 500-sheet paper tray



Assembly 10: Integrated 500-sheet paper tray

Asm-Index	Part number	Units/mach	Units/kit or pkg	Description
10—1	56P4150	1	1	Tray assembly—500-sheet tray
2	40X0099	1	1	Side restraint
3	40X0182	4	1	Wear strip
4	40X0103	1	1	Pass thru plate—500-sheet tray
5	40X0183	1	1	Wear plate—500-sheet tray
6	40X0105	2	1	Restraint pad
7	40X0106	1	1	Back restraint

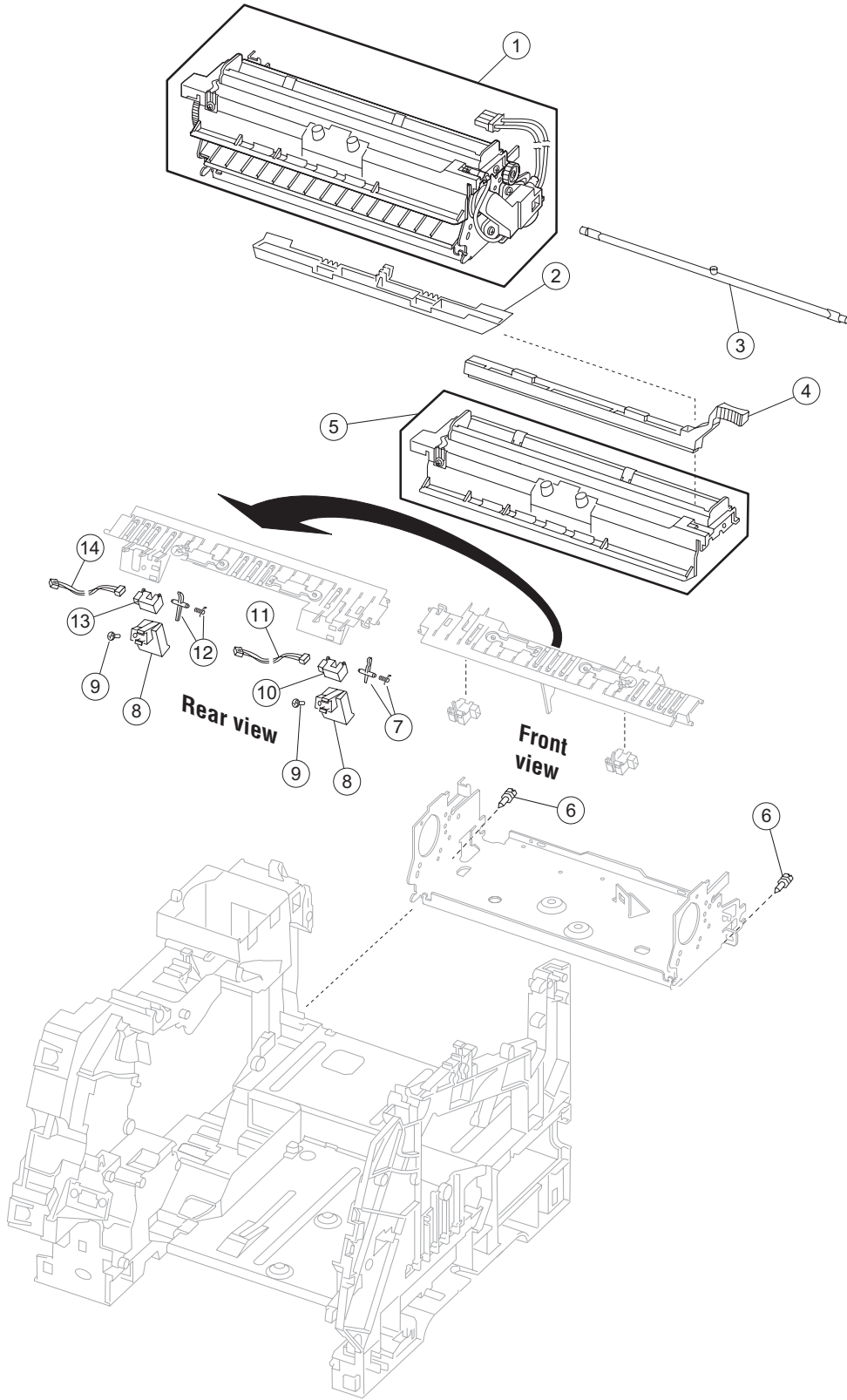
Assembly 11: Drives—Main drive and developer drive



Assembly 11: Drives—Main drive and developer drive

Asm-Index	Part number	Units/mach	Units/kit or pkg	Description
11—1	40X0107	1	1	Gearbox with motor
2	40X0110	1	1	Power takeoff shaft—250-sheet, 000/010
2	40X0111	1	1	Power takeoff shaft—500-sheet, 200/210/400/410
3	40X0112	1	1	Power takeoff shaft spring
4	99A0954	1	1	Bevel gear with grease packet and washer <ul style="list-style-type: none"> • Bevel gear (1) • Instruction sheet (1) • Grease packet (1)
5	40X0114	1	1	Developer drive assembly
6	40X0115			Parts packet, developer drive <ul style="list-style-type: none"> • Developer drive shaft (1) • shaft, coupler gear #55 (1)
7			3	Parts packet (developer drive ground screw) (PP 40X0165)
NS			4	Parts packet (gearbox mounting screw) (PP 40X0165)

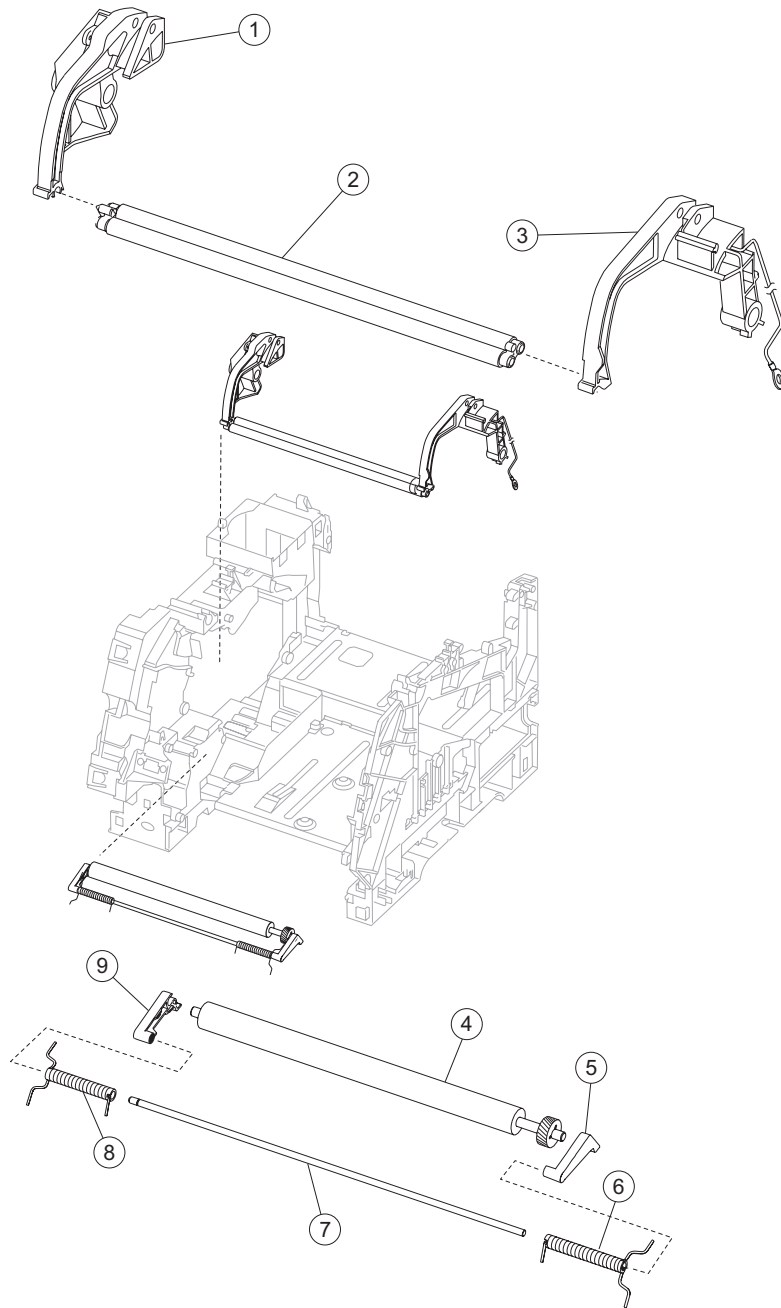
Assembly 12: Hot roll fuser



Assembly 12: Hot roll fuser

Asm-Index	Part number	Units/mach	Units/kit or pkg	Description
12—1	40X2592	1	1	Fuser assembly w/115 V lamp
1	40X2591	1	1	Fuser assembly w/100 V lamp
1	40X2590	1	1	Fuser assembly w/220 V lamp
2	40X0120	1	1	Fuser wiper cavity cover
3	40X0122	1	1	Fuser lamp, 115V
3	40X0123	1	1	Fuser lamp, 220V
4	40X2665	1	1	Oil fuser wiper (black housing)
4	40X2666	1	1	Wax fuser wiper (gray housing)
5	40X0121	1		Fuser cover assembly kit, including: <ul style="list-style-type: none"> • Thermistor (1) • Thermostat (1) • Left and right fuser lamp contact assemblies (1)
6				Parts packet (fuser mounting screw) (PP 40X0254))
7	40X0239	1		Exit sensor flag/spring kit, including: <ul style="list-style-type: none"> • Spring (1) • Flag (1)
8	40X0236	1	1	Exit/narrow media sensor cover
9				Parts packet (PP 40X0165)
10	40X0125	1	1	Exit sensor
11	40X0230	1	1	Exit sensor cable
12	40X0238	1		Narrow media flag/spring kit, including: <ul style="list-style-type: none"> • Spring • Flag
13	40X0124	1	1	Narrow media sensor
14	40X0229	1	1	Narrow media sensor cable
NS	40X0226	1	1	Fuser AC to fuser lamp cable

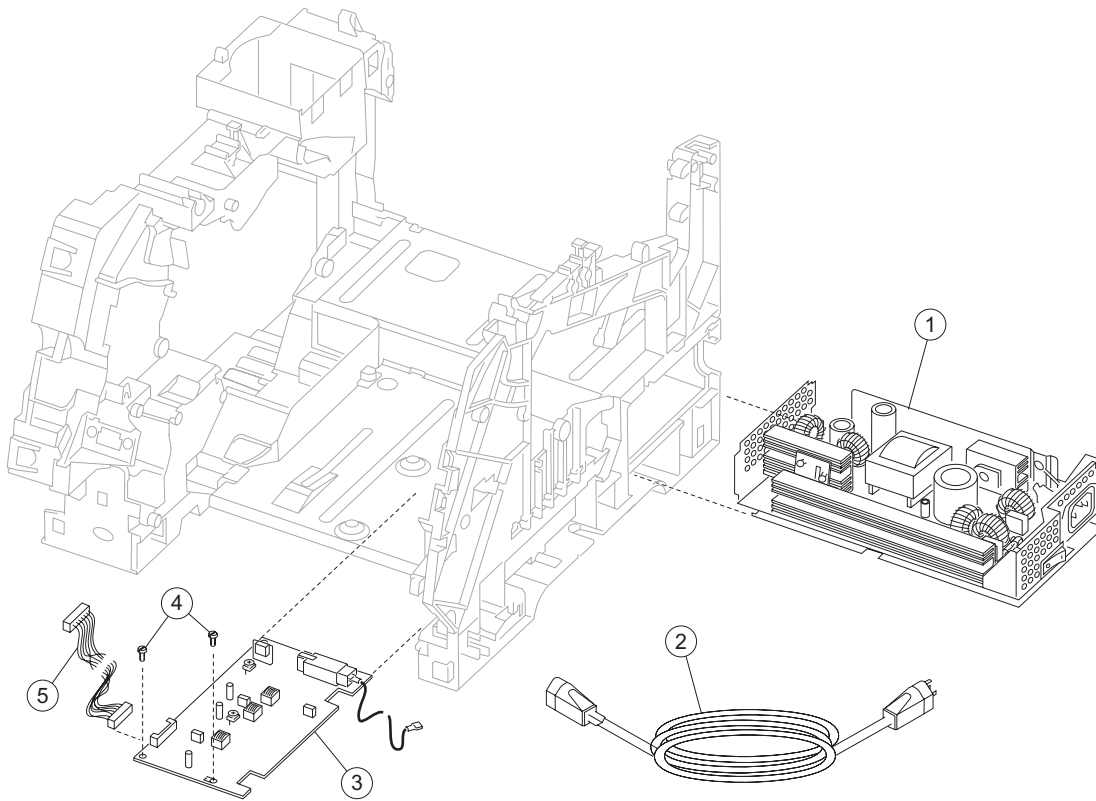
Assembly 13: Transfer/charging



Assembly 13: Transfer/charging

Asm-Index	Part number	Units/mach	Units/kit or pkg	Description
13—1	40X0126		1	Parts kit, charge roll link asm, left side
2	40X0127	1	2	Charge roll assembly, dual
3	40X0129		1	Parts kit, right side charge roll link assembly
4	40X0130	1	1	Transfer roll assembly
5	40X0131	1	1	Transfer roll assembly right arm
6	40X0132	1	1	Transfer roll right spring
7	40X0133	1	1	Transfer pivot shaft
8	40X0134	1	1	Transfer roll left spring
9	40X0135	1	1	Transfer roll left arm
NS			1	Parts packet (charge roll screw) (PP 40X0165)
NS			1	Parts packet (C-clip, pivot shaft) (PP 40X0165)

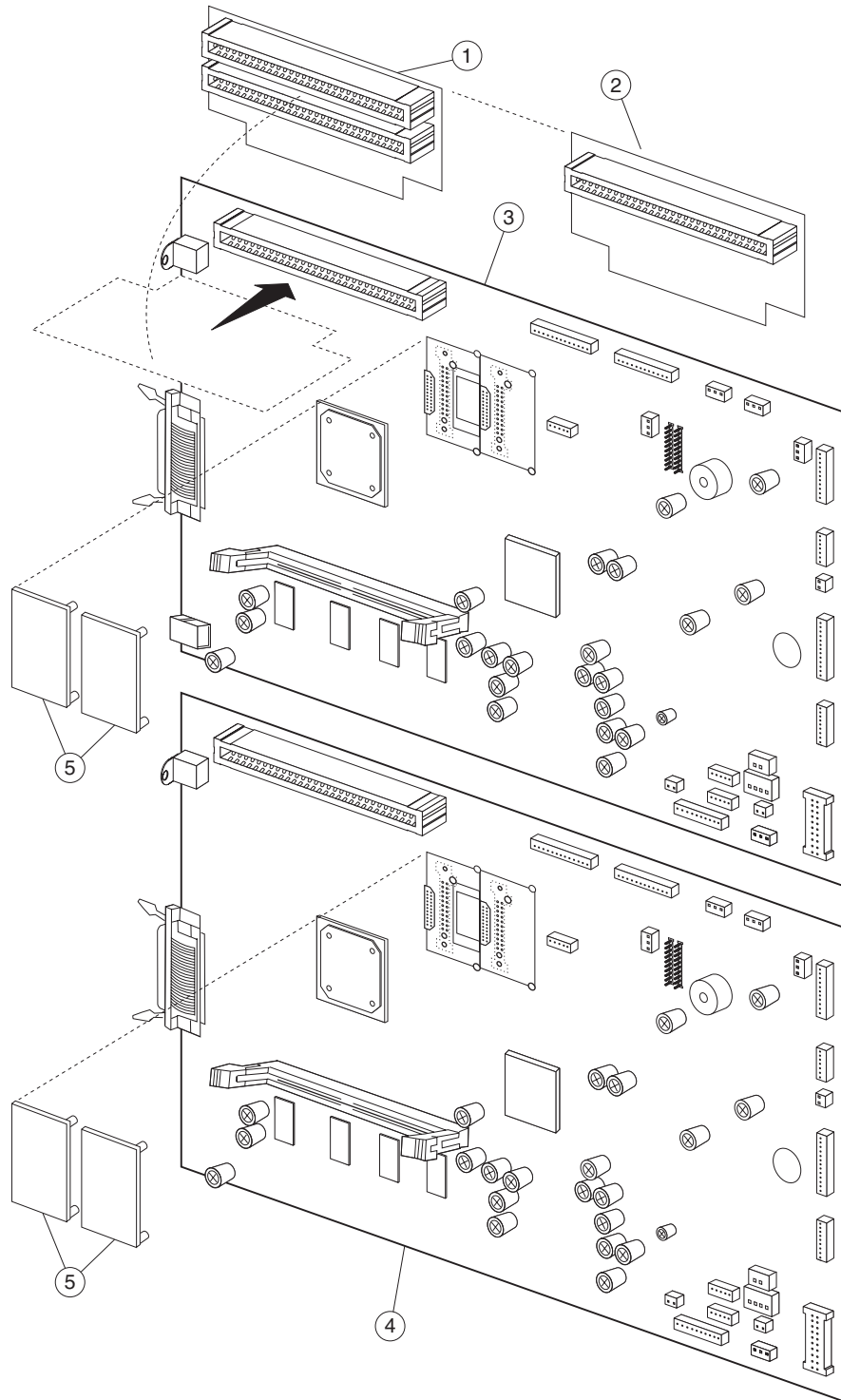
Assembly 14: Electronics—power supplies



Assembly 14: Electronics—power supplies

Asm-Index	Part number	Units/mach	Units/kit or pkg	Description
14—1	56P4232	1	1	LVPS—115 V ac, 000/010
1	56P4233	1	1	LVPS—220 V ac, 000/010
1	56P4234	1	1	LVPS—115 V ac, 200/210/400/410
1	56P4238	1	1	LVPS—220 V ac, 200/210/400/410
2	40X0260	1	1	Power cord set (8 ft right angle, 13 amp)—United States, Canada, Caribbean countries, Colombia, Costa Rica, Dominican Republic, El Salvador, Ecuador, Guatemala, Honduras, Mexico, Nicaragua, Panama, Puerto Rico, Saudi Arabia, Venezuela, and Virgin Islands
2	40X0256	1	1	Power cord set (8 ft right angle)—Bolivia and Peru
2	40X0255	1	1	Power cord set (8 ft right angle)—Argentina
2	40X0257	1	1	Power cord set (8 ft right angle)—Chile, Uruguay
2	40X0258	1	1	Power cord set (8 ft right angle)—Arabic, Austria, Belgium, Bluemark, CIS, Czechoslovakia, Denmark, Finland, France, Germany, Greece, Hungary, Ireland, Italy, Medmark, (1 and 2), Netherlands, Norway, Paraguay, Poland, Portugal, Russia, Slavic countries, Spain, Sweden, Turkey, and UK.
2	40X0293	1	1	Power cord set (8 ft right angle)—Arabic, Austria, Belgium, Bluemark, CIS, Czechoslovakia, Finland, France, Germany, Greece, Hungary, Ireland, Italy, Medmark, (1 and 2), Netherlands, Poland, Portugal, Russia, Slavic countries, Spain, Turkey, and UK.
2	40X0259	1	1	Power cord set (6 ft right angle)—Brazil
2	40X0301	1	1	Power cord set (8 ft straight)—AS/NZS
2	40X0271	1	1	Power cord set (8 ft straight)—Hong Kong
2	40X0272	1	1	Power cord set (8 ft right angle)—Japan
2	40X0280	1	1	Power cord set (6 ft straight)—Korea
2	40X0303	1	1	Power cord set (8 ft straight)—PRC
2	40X0281	1	1	Power cord set (6 ft right angle)—Taiwan
2	40X0294	1	1	Power cord set (8 ft right angle)—Denmark, Norway, and Sweden
2	40X0295	1	1	Power cord set (8 ft right angle)—Israel
2	40X0304	1	1	Power cord set (8 ft right angle)—Botswana, Lesotho, Namibia, Pakistan, and South Africa
2	40X0305	1	1	Power cord set (8 ft right angle)—Switzerland
3	40X0138	1	1	High voltage power supply
4		1		Parts packet (PP 40X0165)
5	40X0223	1	1	Front cable harness (HVPS/input sensor/toner sensor)

Assembly 15: Electronics—card assemblies

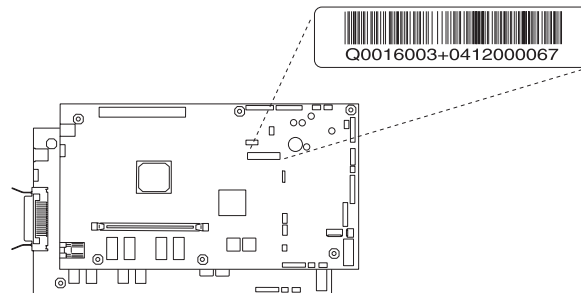


Note:

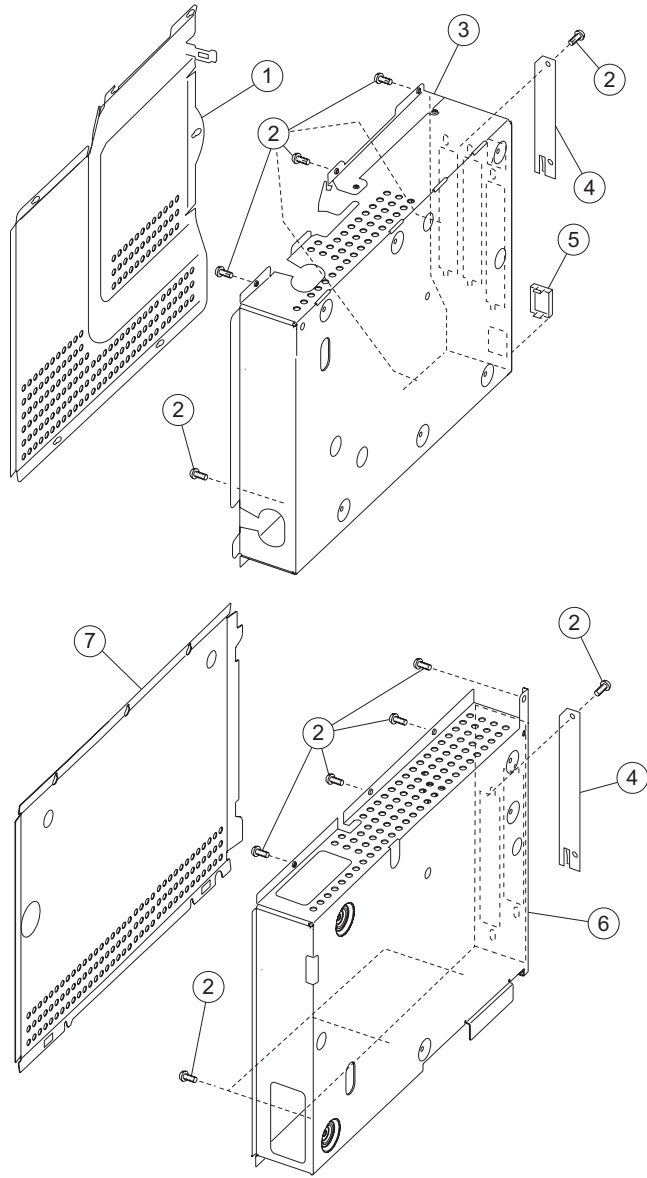
Assembly 15: Electronics—card assemblies

Asm-Index	Part number	Units/mach	Units/kit or pkg	Description
15—1	40X0148	1	1	Interconnect card assembly (2 slot), 200/210/400/410
2	40X0147	1	1	Interconnect card assembly (1 slot), 000/010
3	40X3459	1	1	System board assembly (non-network), 000 (Board ID Q0016034)
3	40X3461	1	1	System board assembly (non-network), 200 (Board ID Q0016035)
3	40X3463	1	1	System board assembly (non-network), 400 (Board ID Q0016036)
4	40X3460	1	1	System board assembly (network), 010 (Board ID Q0016031)
4	40X3462	1	1	System board assembly (network), 210 (Board ID Q0016032)
4	40X3464	1	1	System board assembly (network), 410 (Board ID Q0016033)
5	40X3212	1	1	Bar code card assembly
5	40X3378	1	1	IPDS/SCS card assembly
5	40X0199	1	1	PrintCryption card assembly
5	40X0265	1	1	PRESCRIBE card assembly

Note: The system board has a label with a board ID and barcode. Use the first eight numbers to identify the board with the part number in the table above:



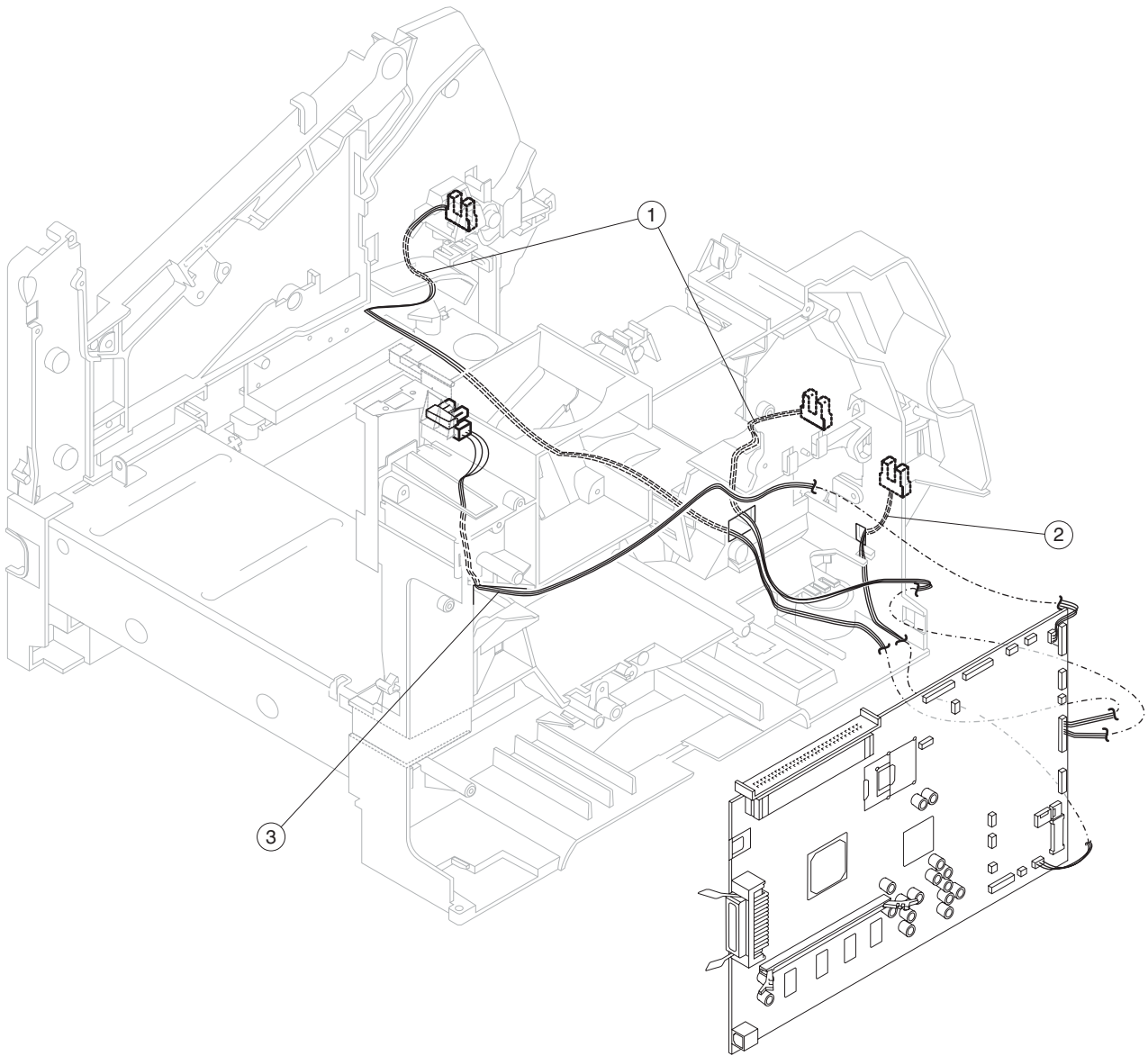
Assembly 16: Electronics—shields



Assembly 16: Electronics—shields

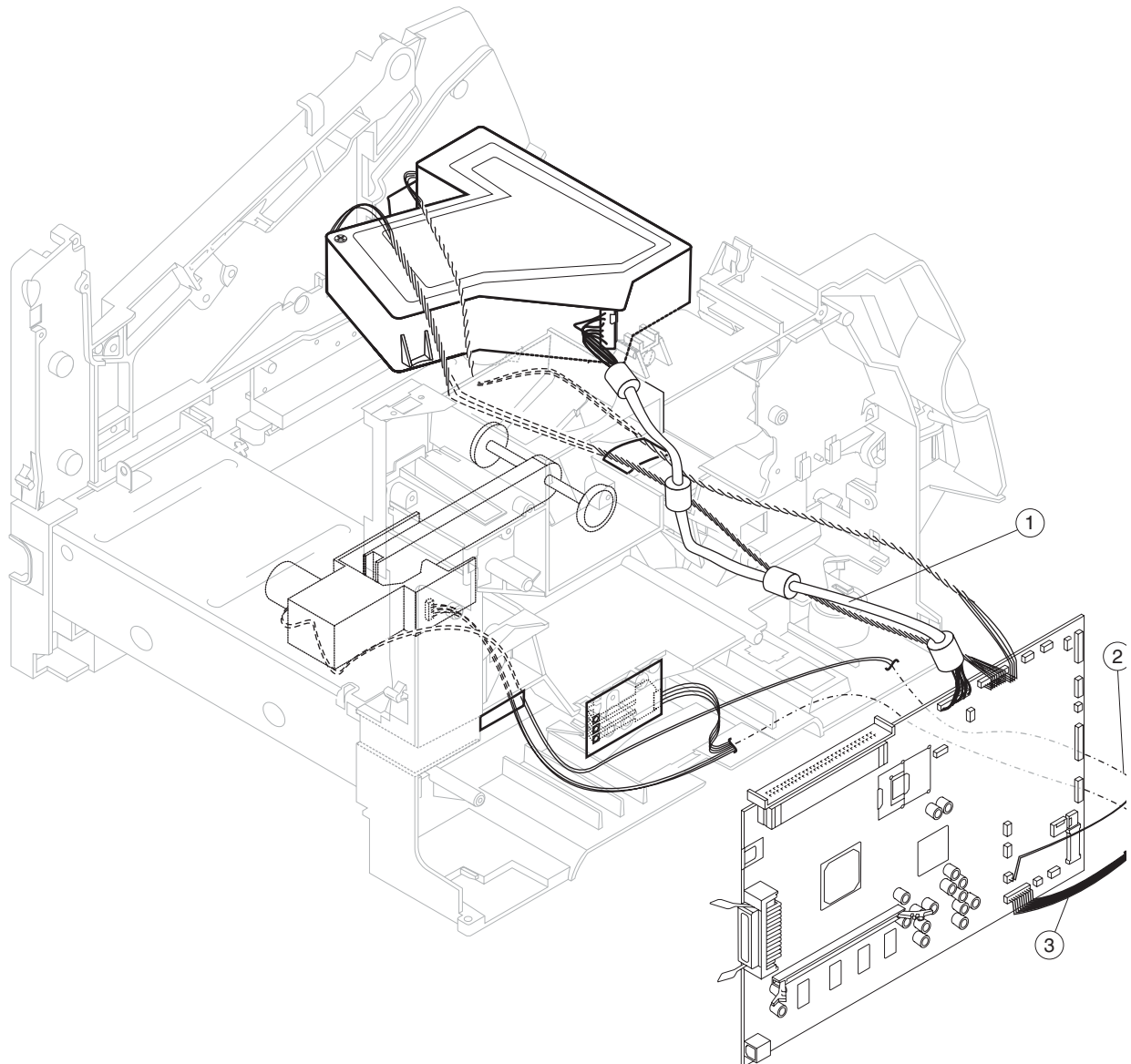
Asm-Index	Part number	Units/mach	Units/kit or pkg	Description
16—1	40X0150	1	1	Outer shield—2 slot, 200/210/400/410
2				Parts packet (INA cover mounting screw) (PP 40X0165)
2				Parts packet (outer shield mounting screw) (PP 40X0165)
2				Parts packet (inner shield mounting screw) (PP 40X0165)
3	40X0149	1	1	Inner shield assembly—2 slot, 200/210/400/410
4	40X0153	1	1	INA flat cover (blank)
5	40X0152	1	1	Ethernet shield (blank), 010/210/410
6	40X0154	1	1	Inner shield assembly—1 slot, 000/010
7	40X0222	1	1	Outer shield—1 slot, 000/010

Assembly 17: Cabling diagrams 1



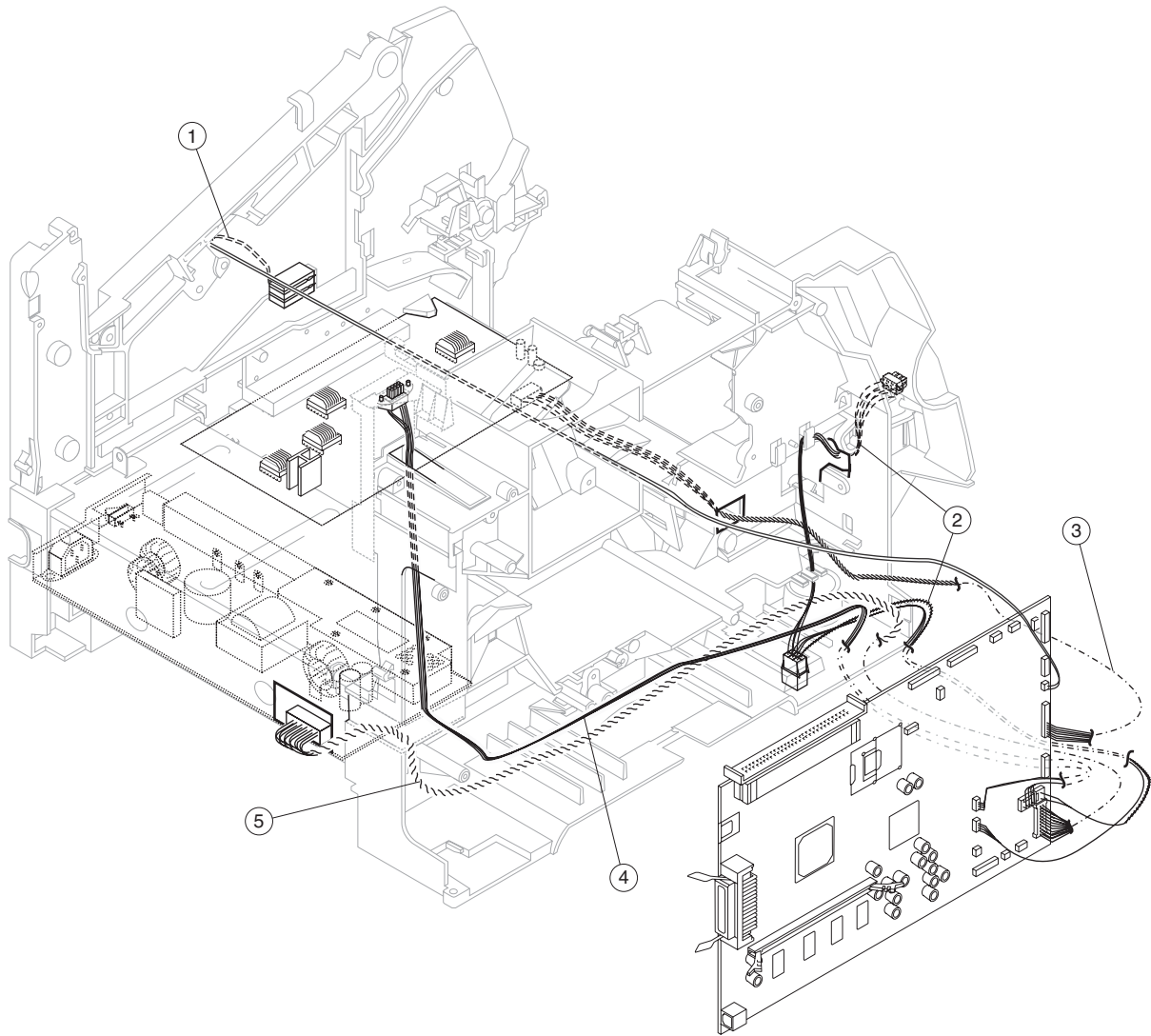
Asm-Index	Part number	Units/mach	Units/kit or pkg	Description
17—1	40X0223	1	1	HVPS/input sensor/toner sensor cable assembly
2	40X0160	1	1	MPF sensor cable
3	40X0264	1	1	Output bin sensor cable

Assembly 18: Cabling diagrams 2



Asm-Index	Part number	Units/mach	Units/kit or pkg	Description
18—1	40X0061	1	1	Laser printhead cable assembly
2	40X0074	1	1	Autocompensator motor cable
3	40X0046	1	1	Paper size sensing board/Tray 1 autocompensator paper out/low cable

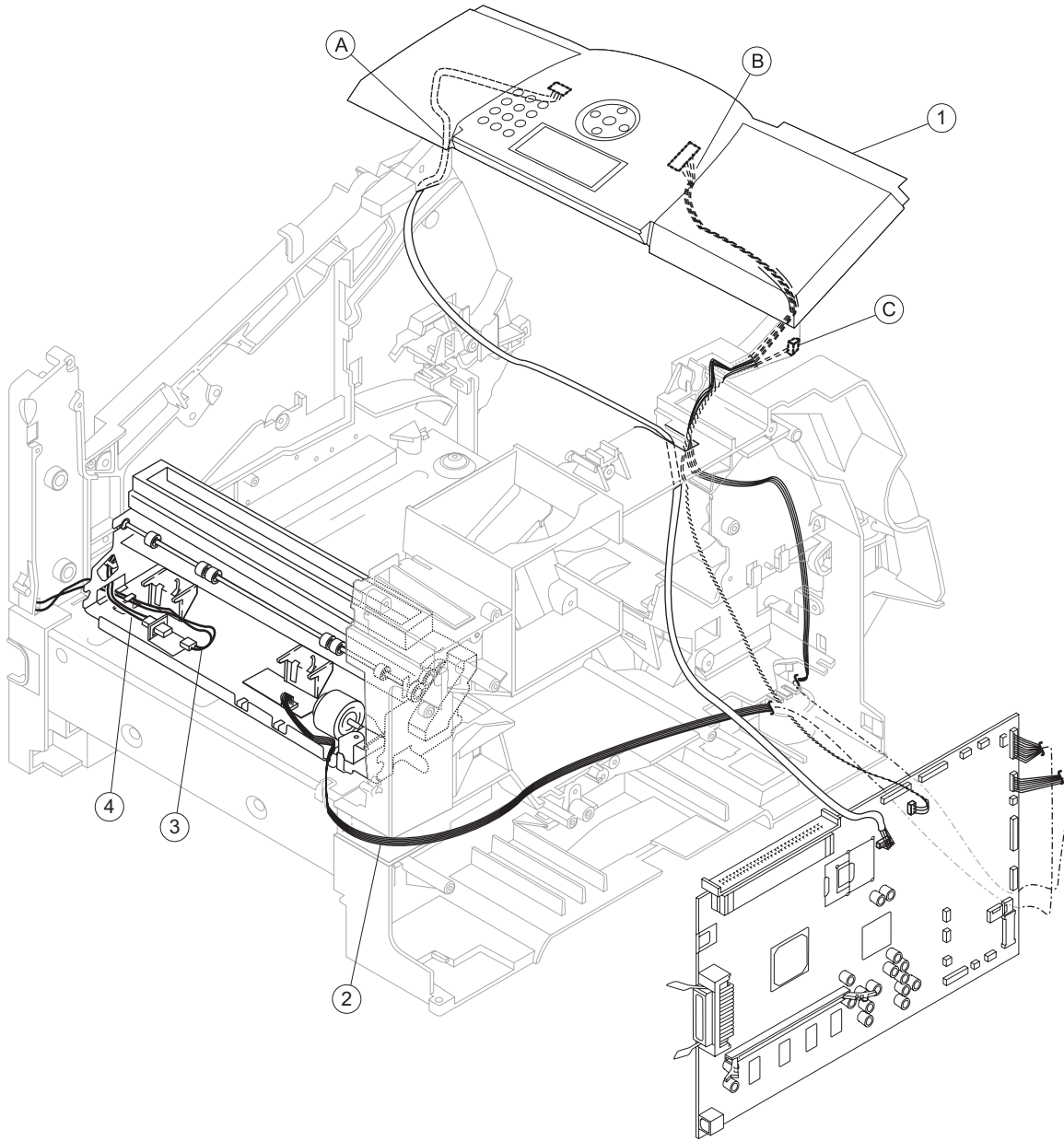
Assembly 19: Cabling diagrams 3



Assembly 19: Cabling diagrams 3

Asm-Index	Part number	Units/mach	Units/kit or pkg	Description
19—1	40X0034	1	1	Signature button contact assembly with cable
2	40X0156	1	1	Bottom/front autoconnect cable assembly
3	40X0223	1	1	HVPS/input sensor/toner sensor cable assembly
4	40X0157	1	1	Top autoconnect cable assembly
5	40X0224	1	1	LVPS to system board cable assembly

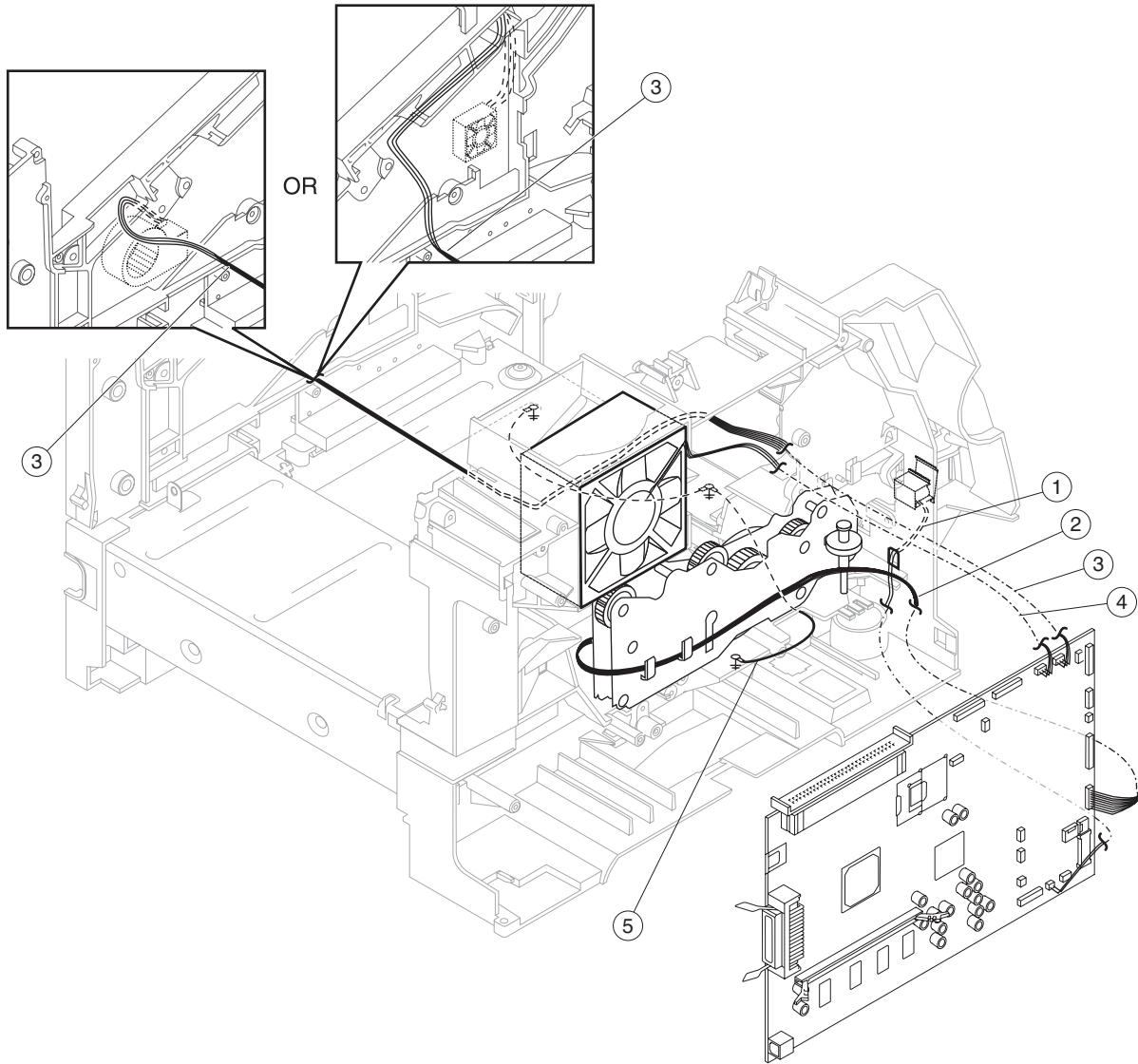
Assembly 20: Cabling diagrams 4



Assembly 20: Cabling diagrams 4

Asm-Index	Part number	Units/mach	Units/kit or pkg	Description
20—1	40X0006	1	1	Upper front cover hinge assembly, includes: <ul style="list-style-type: none"> • USB cable (A) (1) • Operator panel cable (B) (1) • Cover open switch/cable (C) (1)
2	40X0162	1	1	System board to fuser board cable assembly
3	40X0163	1	1	Fuser AC lamp to LVPS cable assembly
4	40X0226	1	1	Fuser connector (fuser AC to fuser lamp)

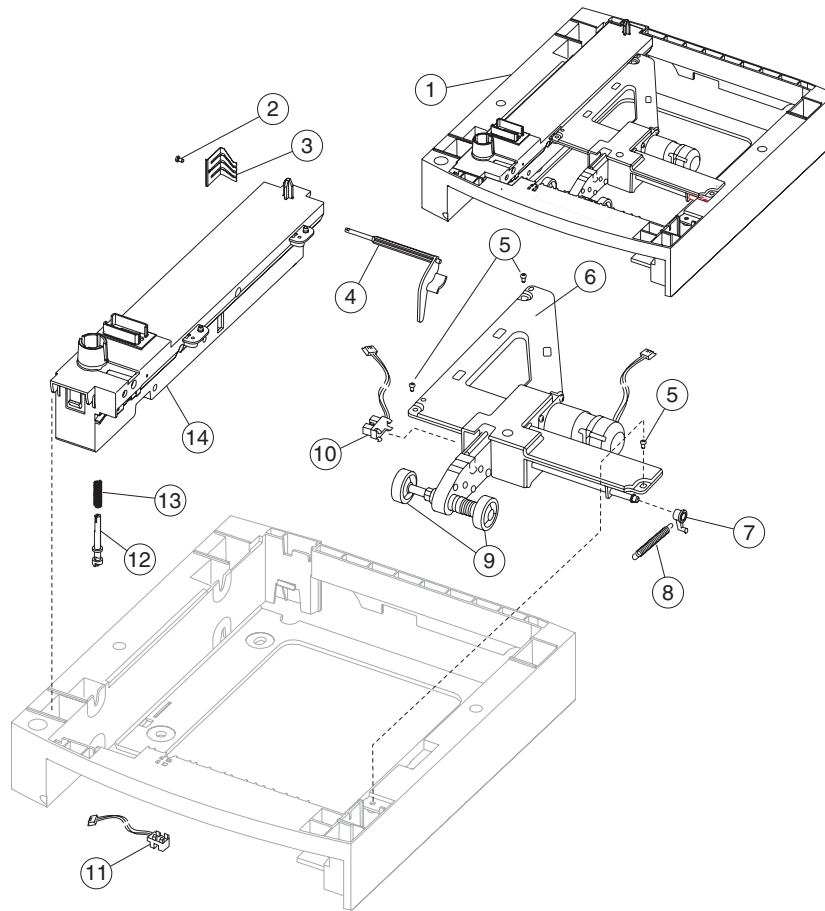
Assembly 21: Cabling diagrams 5



Assembly 21: Cabling diagrams 5

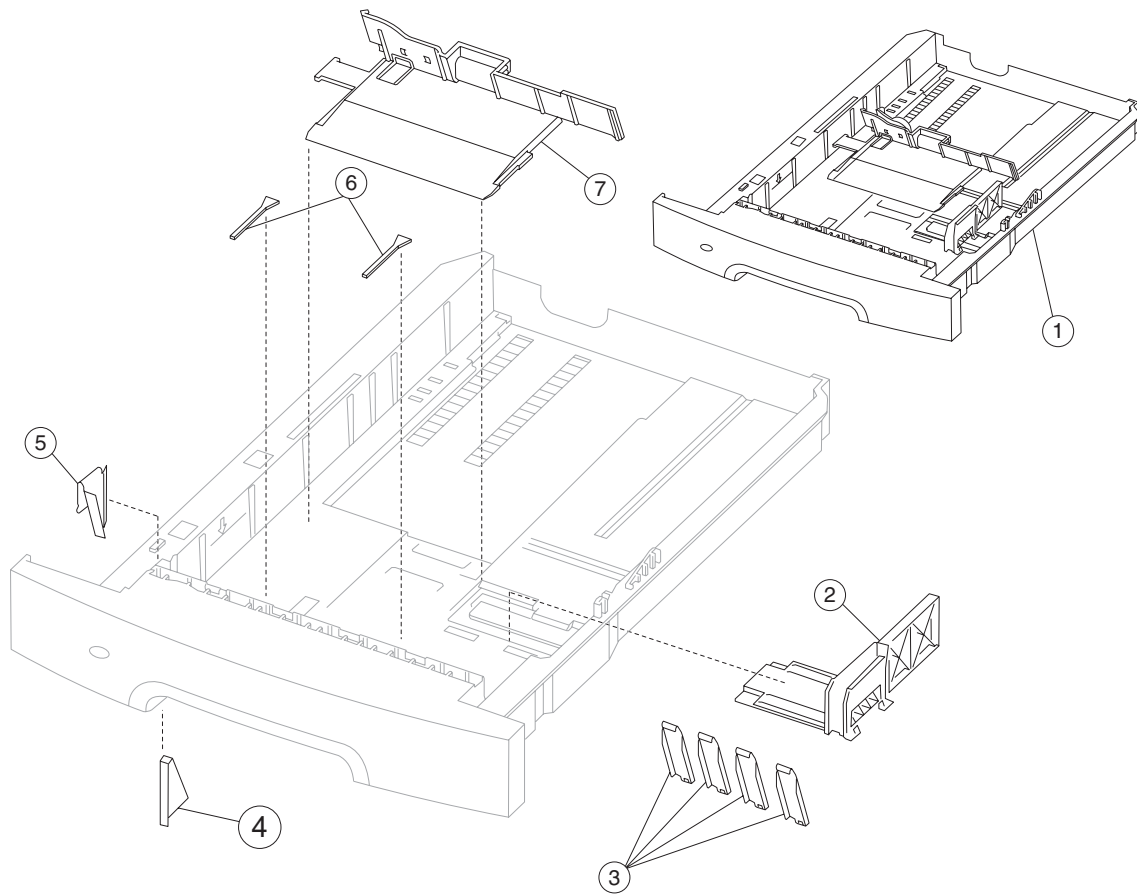
Asm-Index	Part number	Units/mach	Units/kit or pkg	Description
21—1	40X0083	1	1	Frame assembly with solenoid and cable
2	40X0159	1	1	Main drive motor cable assembly
3	40X0035	1	1	EP fan with cable—250 sheet, 000/010
3	40X0249	1	1	EP fan with cable—500 sheet, 200/210/400/410
4	40X0053	1	1	Main fan, 250 sheet
4	40X0054	1	1	Main fan, 500 sheet
5	40X0161	1	1	Ground cable

Assembly 22: Optional 250-sheet paper drawer



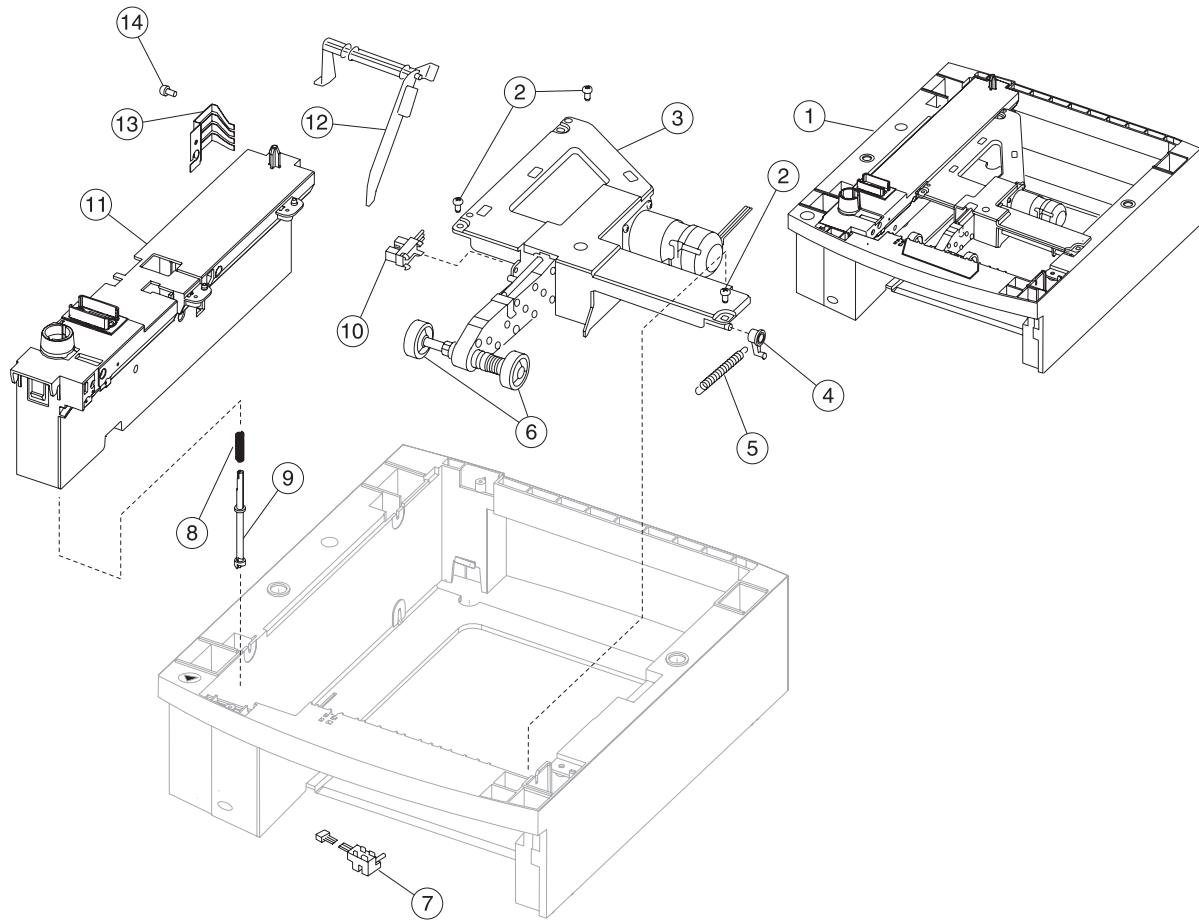
Asm-Index	Part number	Units/option	Units/kit or pkg	Description
22—1	40X3230	1	1	250-sheet paper drawer, complete assembly
2		1	1	Parts packet, screw (switch spring) (PP 99A0263)
3	99A0063	1	1	Switch activate spring
4	56P4129	1	1	Paper out arm—250-sheet
5		3	3	Parts packet, screw (auto comp mounting) (PP 99A0263)
5		4	4	Parts packet (PP 99A0263)
6	40X3232	1	1	Pick arm assembly
7	56P1228	1	1	Bellcrank—250-sheet paper tray
8	99A1929	2	1	Bellcrank spring—250-sheet paper tray
9	40X0070	2	2	Pick roll assembly
10	40X3234	1	1	Bin low sensor with cable
11	40X3233	1	1	Option pass thru sensor
12	99A0272	1	1	Drive shaft—250-sheet
13	99A0275	1	1	Power takeoff spring
14	40X3237	1	1	Base assembly

Assembly 23: Optional 250-sheet paper tray



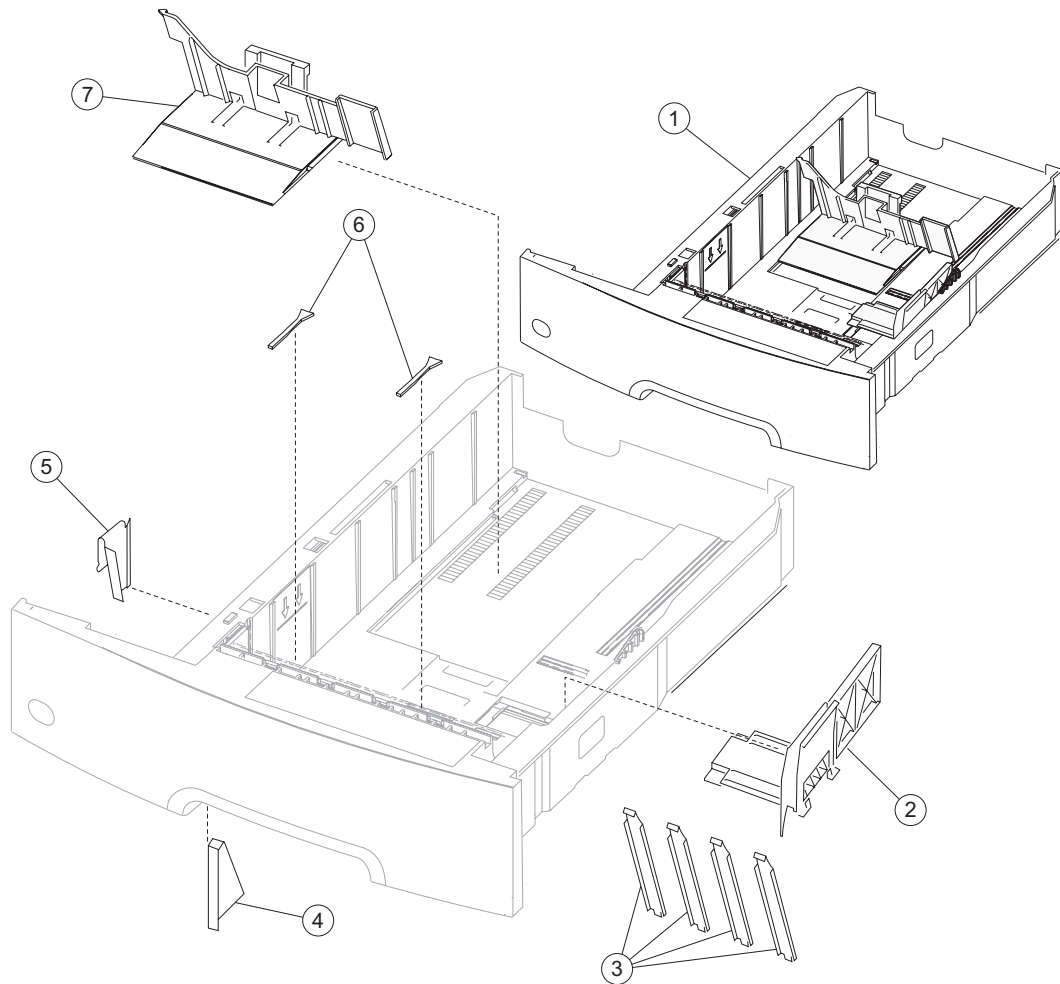
Asm-Index	Part number	Units/option	Units/kit or pkg	Description
23—1	40X3231	1	1	Tray assembly, option—250-sheet
2	40X3235	1	1	Side restraint—250-sheet tray
3	56P1279	1	4	Wear strips
4	56P4230	1	1	Clip—250-sheet pass thru
5	99A0121	1	1	Plate—250-sheet tray wear
6	99A0120	1	2	Restraint pad
7	40X3236	1	1	Back restraint—250-sheet tray

Assembly 24: Optional 500-sheet paper drawer



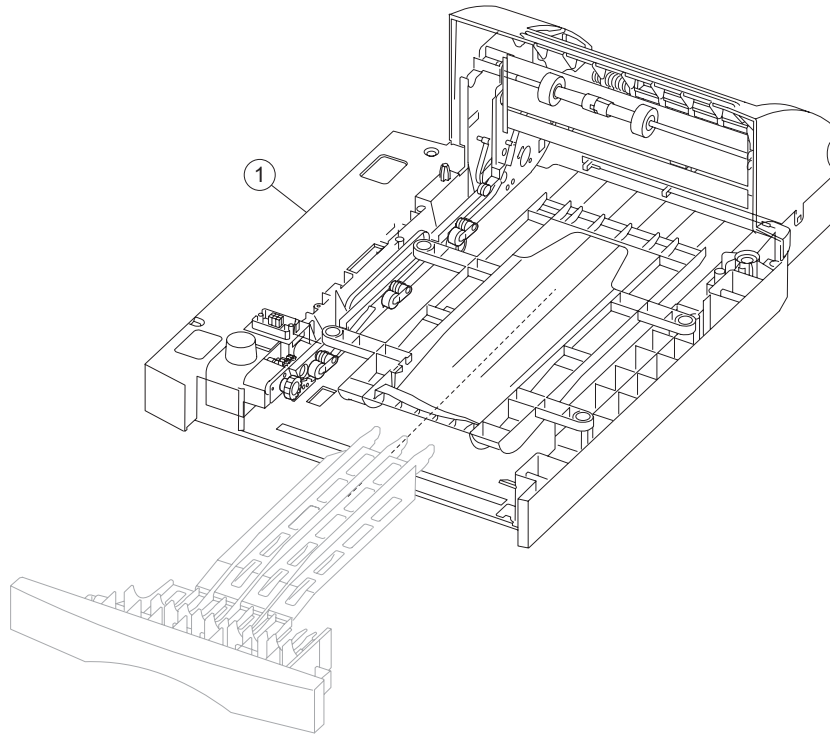
Asm-Index	Part number	Units/option	Units/kit or pkg	Description
24—1	40X3243	1	1	Drawer assembly, complete—500-sheet
2		3	3	Parts packet (auto comp mounting screw) (PP 99A0263)
3	40X3246	1	1	Pick arm assembly—500 sheet
4	56P1228	1	1	Bellcrank spring arm
5	56P2540	1	1	Bellcrank spring—500-sheet option tray
6	40X0070	1	2	Pick roll assembly
7	40X3233	1	1	Option pass thru sensor
8	99A0275	1	1	Power takeoff spring
9	99A0447	1	1	Drive shaft—500-sheet
10	40X3234	1	1	Bin low sensor with cable
11	40X3247	1	1	Base assembly, 500-sheet
12	56P4145	1	1	Paper out arm—500-sheet drawer
13	99A0063	1	1	Switch activate spring
14		1	1	Parts packet (screw) (PP 99A0263)

Assembly 25: Optional 500-sheet paper tray

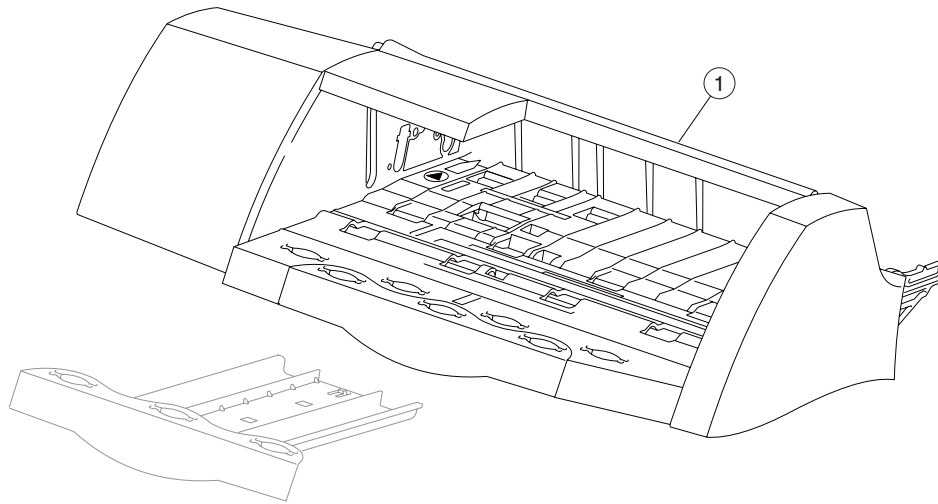


Asm-Index	Part number	Units/option	Units/kit or pkg	Description
25—1	56P4150	1	1	Complete tray assembly—500-sheet
2	56P4137	1	1	Side restraint—500-sheet tray
3	99A0292	1	4	Wear strips
4	56P4196	1	1	Pass thru plate
5	56P4195	1	1	Plate—500-sheet wear
6	99A0120	1	2	Restraint pad
7	56P4147	1	1	Back restraint—500-sheet tray

Assembly 26: Duplex option

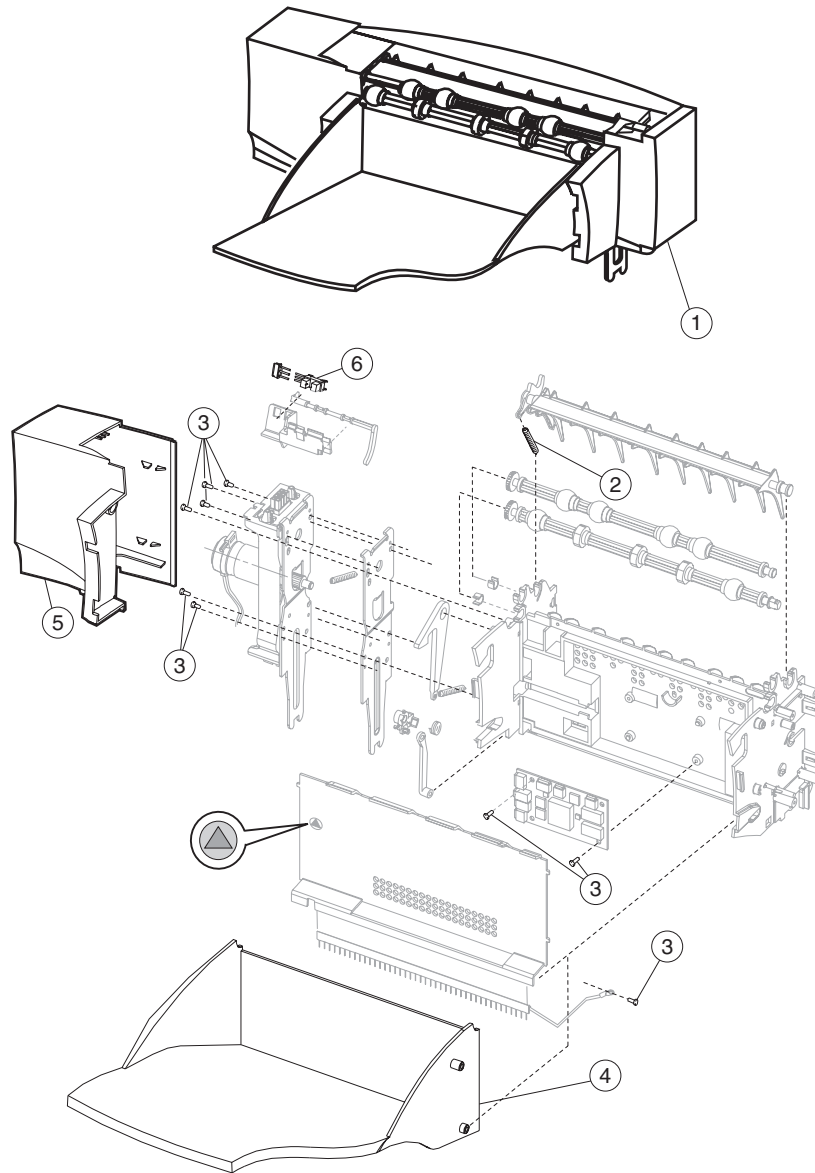


Asm-Index	Part number	Units/option	Units/kit or pkg	Description
26—1	56P4100	1	1	Duplex assembly.—250-sheet
1	56P4102	1	1	Duplex assembly—500-sheet

Assembly 27: Envelope feeder

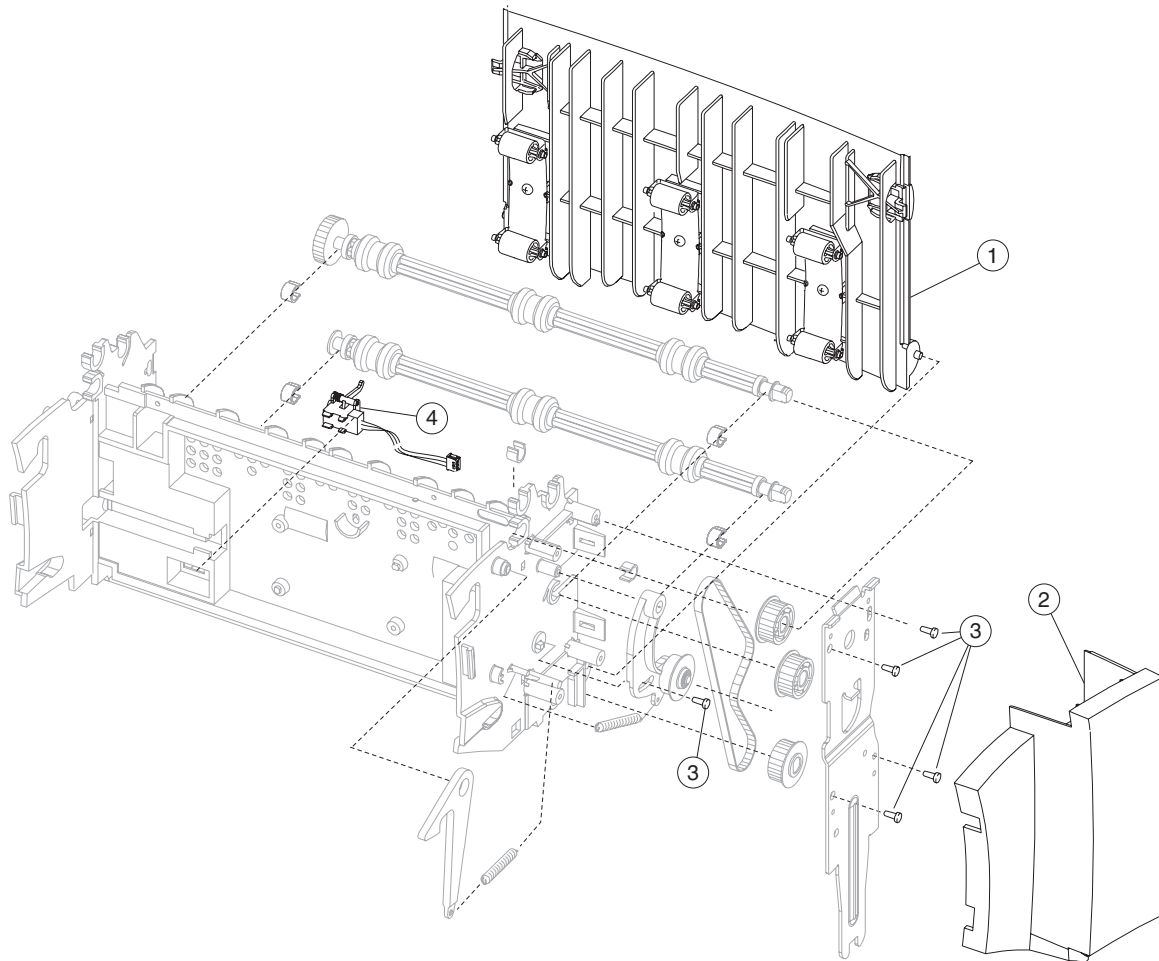
Asm-Index	Part number	Units/option	Units/kit or pkg	Description
27—1	40X3248	1	1	Complete envelope option

Assembly 28: Output expander 1



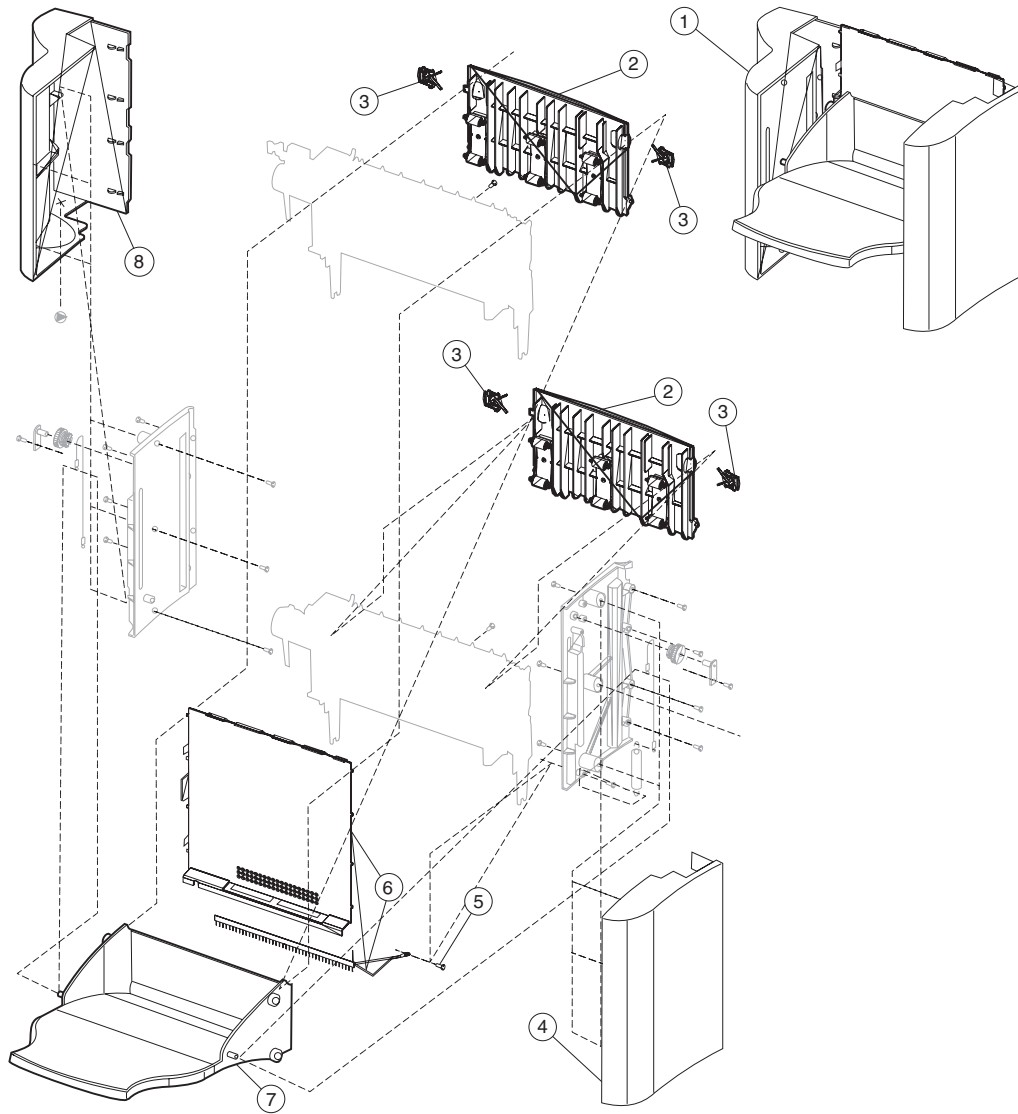
Asm-Index	Part number	Units/option	Units/kit or pkg	Description
28—1	40X3270	1	1	Complete output expander assembly
2	99A0104	1	1	Upper diverter spring
3		1	11	Parts packet (PP 99A0263)
4	56P4198	1	1	Output expander tray
5	56P4163	1	1	Left side cover
6	40X3265	1	1	Bin full dual sensor upper stacker assembly

Assembly 29: Output expander 2



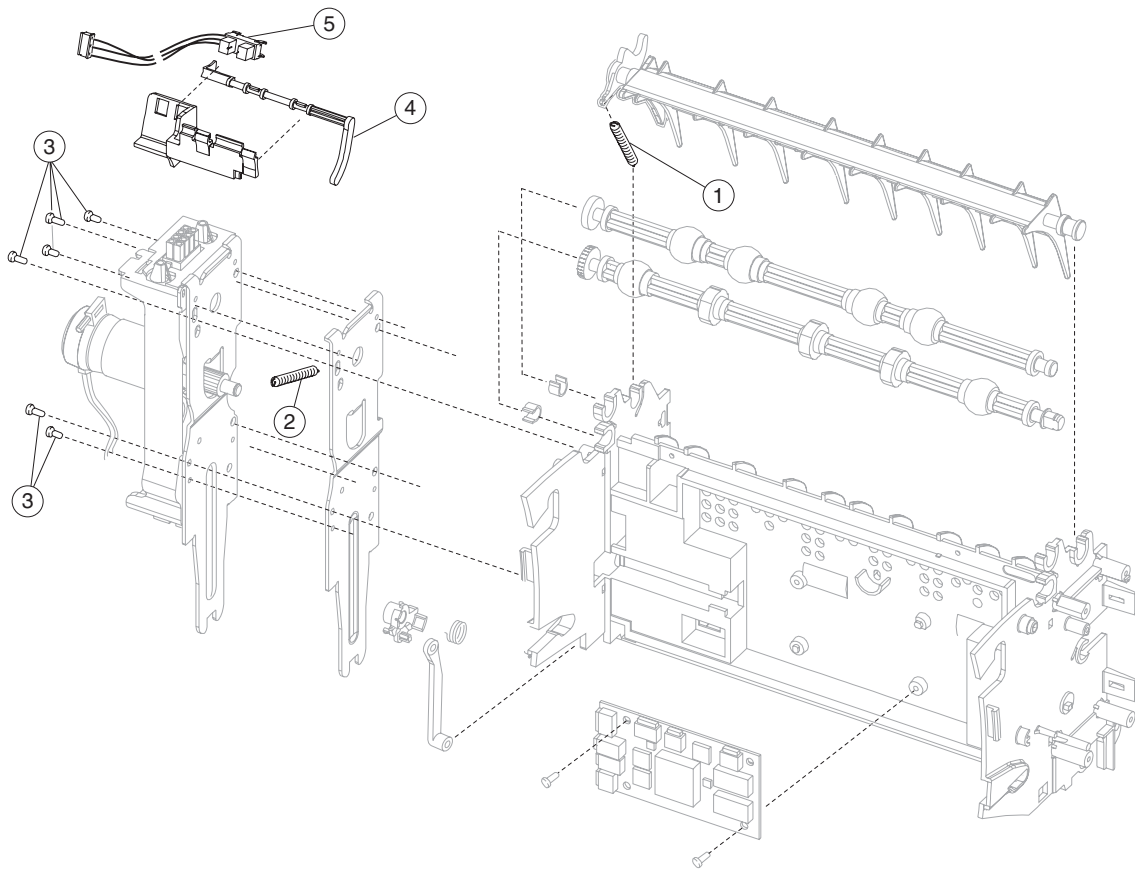
Asm-Index	Part number	Units/option	Units/kit or pkg	Description
29—1	40X3267	1	1	Rear access door assembly
2	56P4235	1	1	Right side cover
3				Parts packet, screw (PP 99A0263)
4	40X3264	1	1	Output expander pass thru sensor

Assembly 30: High-capacity output expander 1



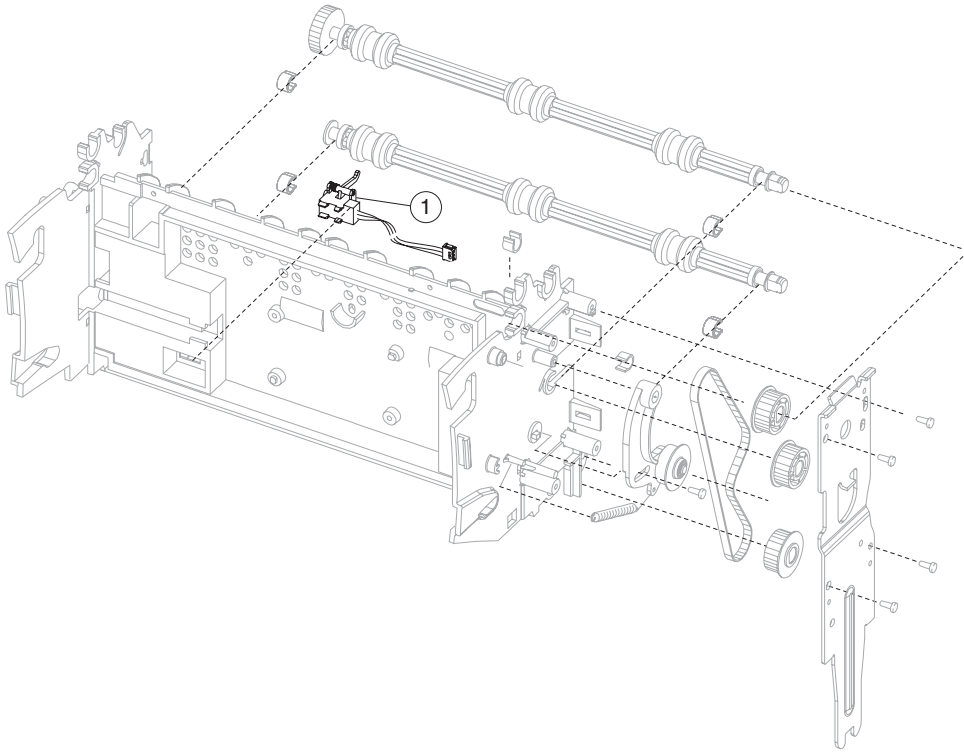
Asm-Index	Part number	Units/option	Units/kit or pkg	Description
30—1	40X3263		1	Complete high-capacity output expander
2	40X3267	2	1	Rear access door assembly
3	56P4211	4	1	Rear door latch
4	56P4204	1	1	Right cover
6	56P4205	1	1	Front cover
7	40X3268	1	1	Output tray assembly
8	56P4203	1	1	Left cover
NS	56P4208	1	1	Tray sensing switch assembly

Assembly 31: High-capacity output expander 2



Asm-Index	Part number	Units/option	Units/kit or pkg	Description
31—1	99A0104	2	1	Upper diverter spring
2	99A0415	1	1	Swing arm spring
3			31	Parts packet (PP 99A0263)
4	56P4212	1	1	Bin full dual sensor upper stacker assembly flag
5	40X3265	1	1	Bin full dual sensor upper stacker assembly
NS	56P4210	2	1	Output spring

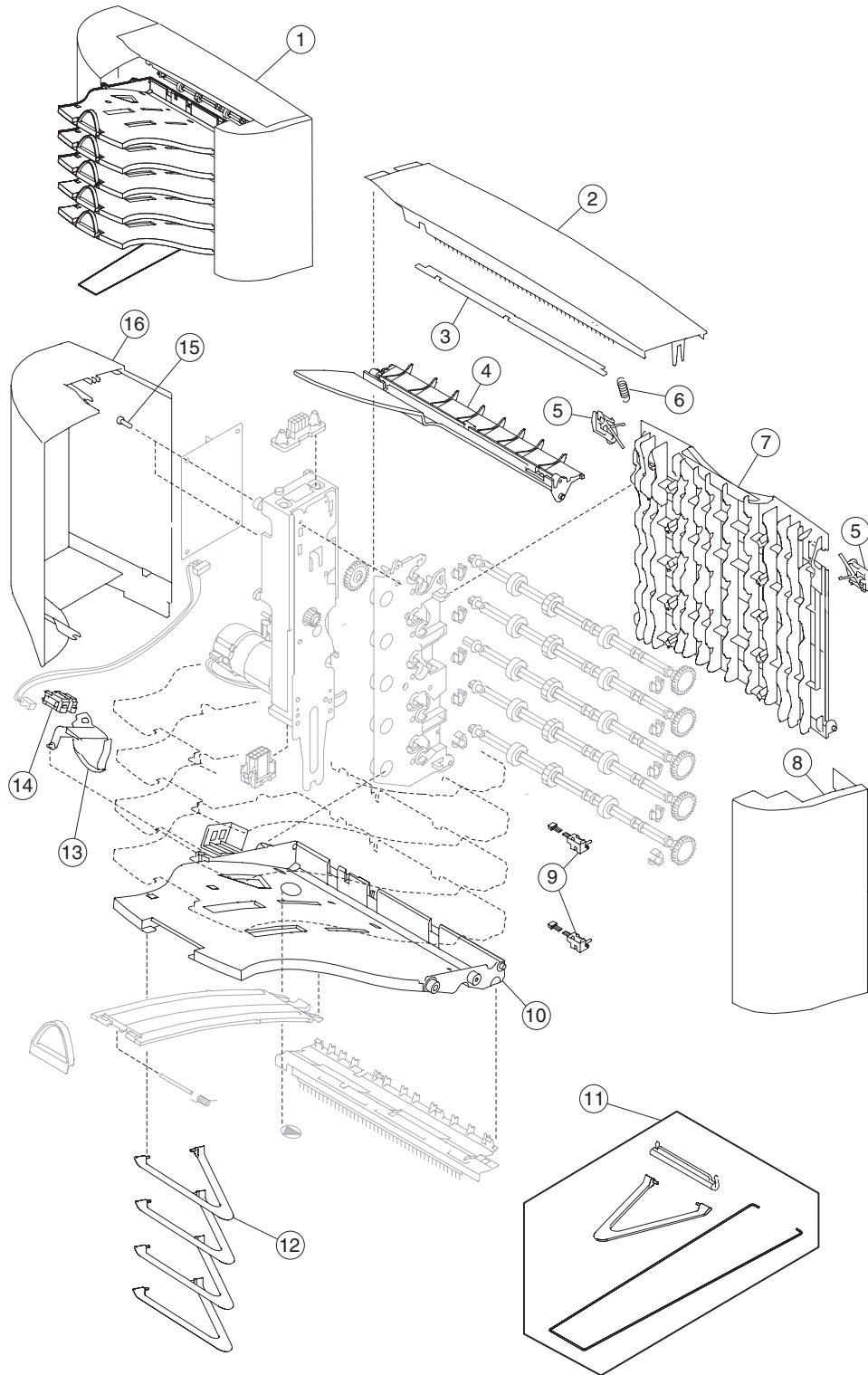
Assembly 32: High-capacity output expander 3



Assembly 32: High-capacity output expander 3

Asm-Index	Part number	Units/option	Units/kit or pkg	Description
32—1	40X3264	2	1	Stacker pass thru sensor

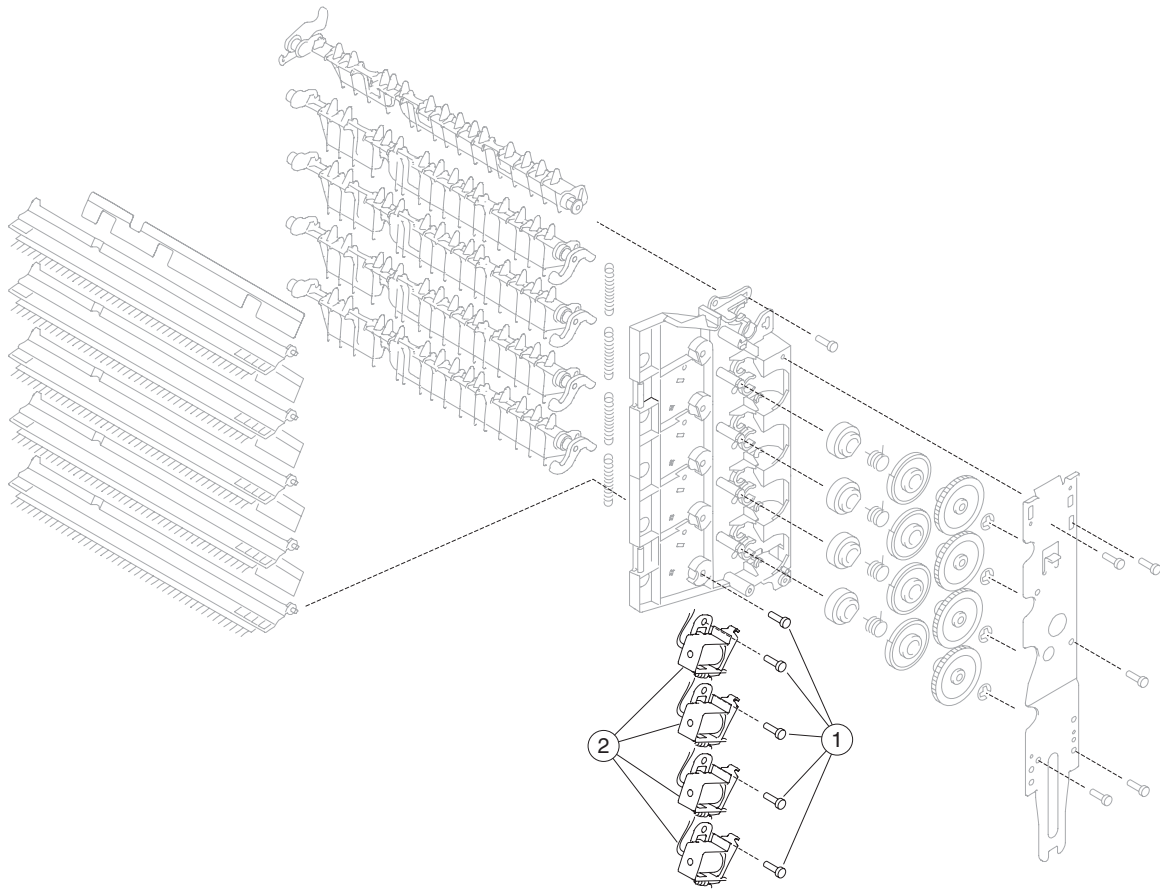
Assembly 33: 5-bin mailbox 1



Assembly 33: 5-bin mailbox 1

Asm-Index	Part number	Units/option	Units/kit or pkg	Description
33—1	40X3238	1		Complete 5-bin mailbox option
2	56P4176	1	1	Redrive cap cover
3	56P4180	1	1	Wire cover
4	56P4181	1	1	Top bin cover
5	56P4211	2	2	Rear access door latch
6	99A0104	1	1	Upper diverter spring
7	56P4183	1	1	Rear access door
8	56P4178	1	1	Right side cover
9	40X3242	2	1	5-bin mailbox pass thru sensor
10	56P4182	5	1	Paper cap tray
11	56P4191	1	1	5-bin mailbox assembly kit
12		1	1	5-bin mailbox assembly kit, order 56P4191
13	56P4186	5	1	Bin full flag
14	40X3240	5	1	Dual paper height sensor
15				Parts packet (board mounting screw) (PP 99A0263)
16	56P4179	1	1	Left side cover

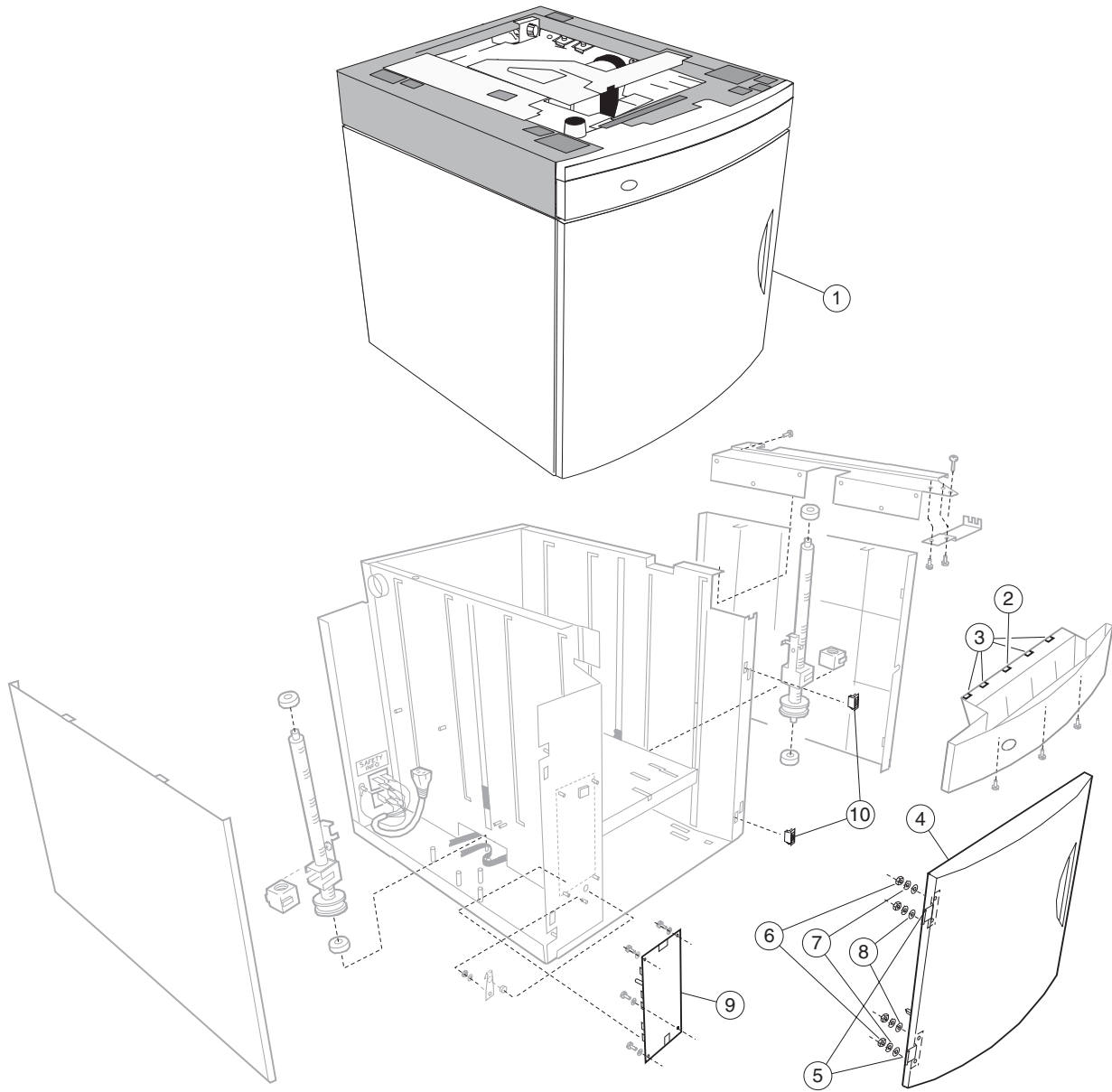
Assembly 34: 5-bin mailbox 2



Assembly 34 (cont.): 5-bin mailbox 2

Asm-Index	Part number	Units/option	Units/kit or pkg	Description
34—1			12	Parts packet (board mounting screw) (PP 99A0263)
2	40X2061	4	1	Diverter solenoid

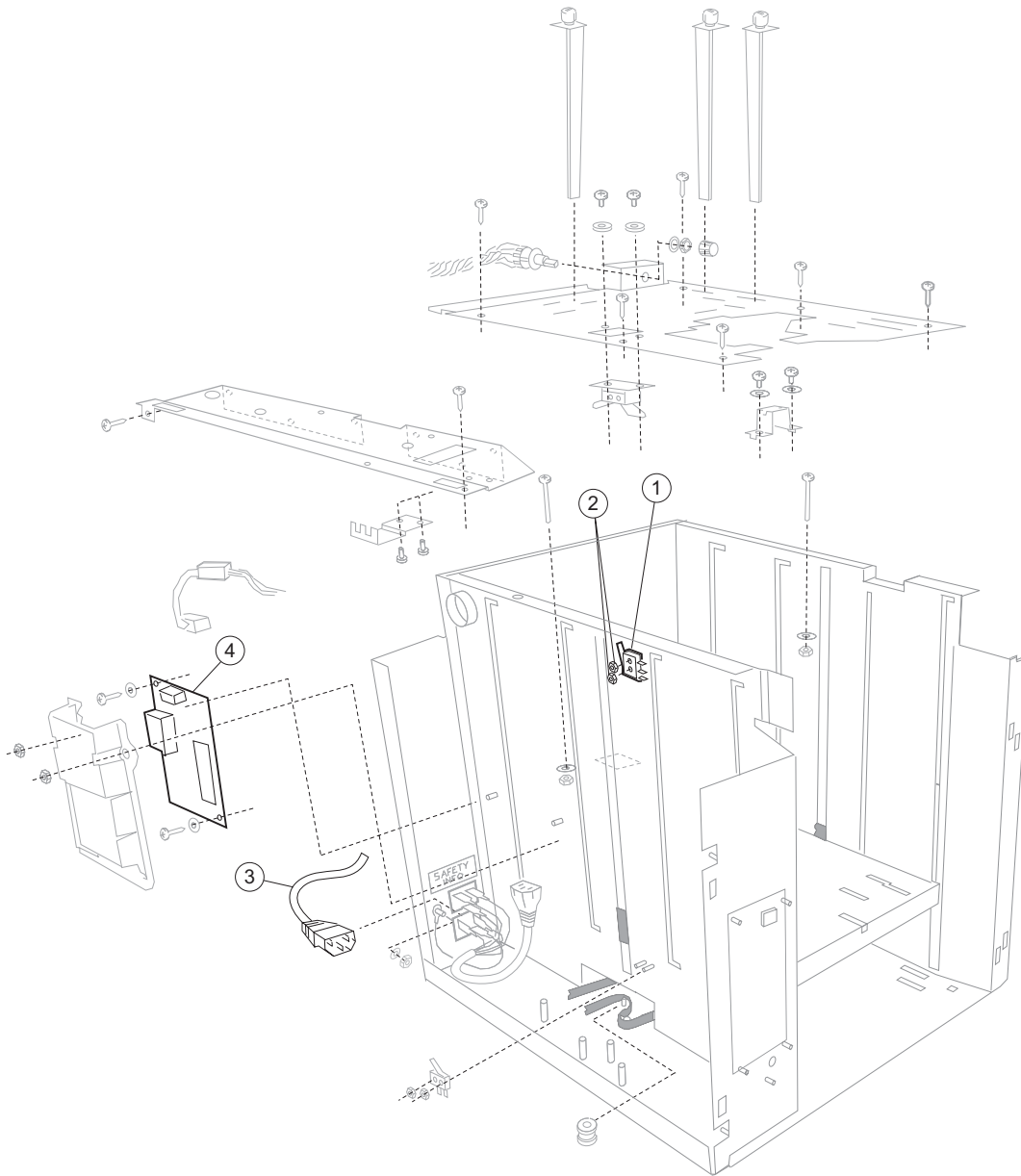
Assembly 35: High-capacity feeder 1



Assembly 35: High-capacity feeder 1

Asm-Index	Part number	Units/option	Units/kit or pkg	Description
35—1	40X3249	1	1	Complete option assembly (A4)
2	99A1818	1	1	Wear dimple strip
3	99A0681	4	1	Wear strip
4	40X3254	1	1	Front door assembly
5	56P4157	1	2	Door hinge
6		4	1	Parts packet (6-32 hinge mounting nut) (PP 99A0676)
7		4	1	Parts packet (hinge mounting flat washer) (PP 99A0677)
8		4	1	Parts packet (hinge mounting star washer) (PP 99A0677)
9	40X3252	1	1	2000-sheet option control card assembly
10	99A0658	2	2	Door magnet

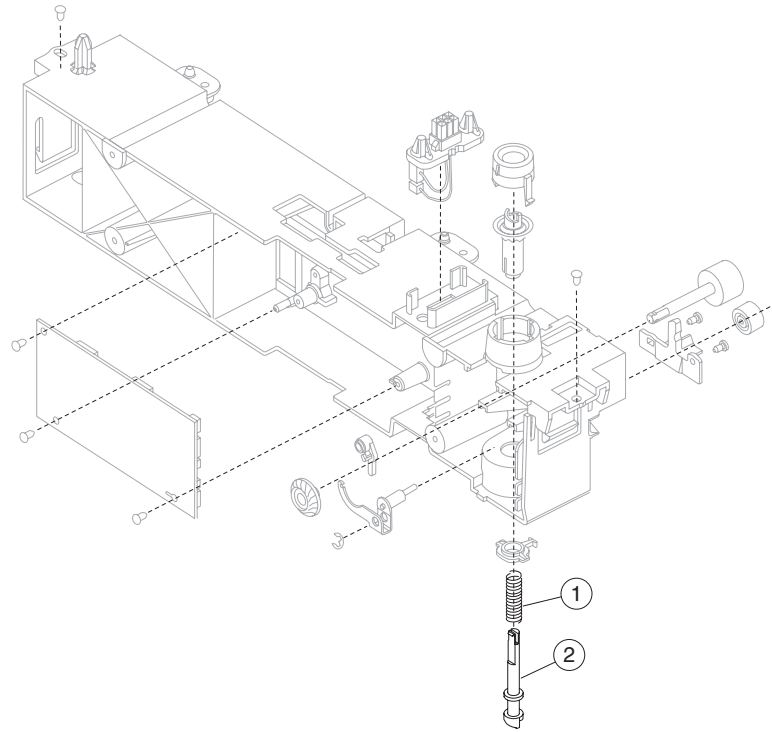
Assembly 36: High-capacity feeder 2



Assembly 36: High-capacity feeder 2

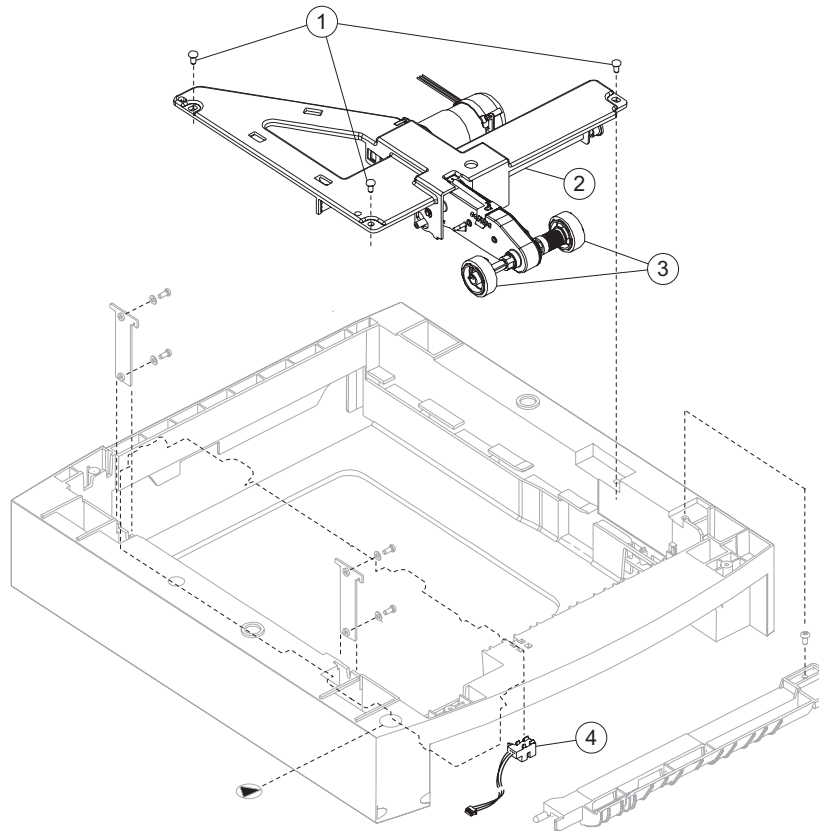
Asm-Index	Part number	Units/option	Units/kit or pkg	Description
36—1	99A0654	1	1	Paper low switch
2				Parts packet (nuts) (PP 99A0676)
3	40X3262	1	1	AC external jumper cord
4	40X2669	1	1	Power supply board

Assembly 37: High-capacity feeder 3



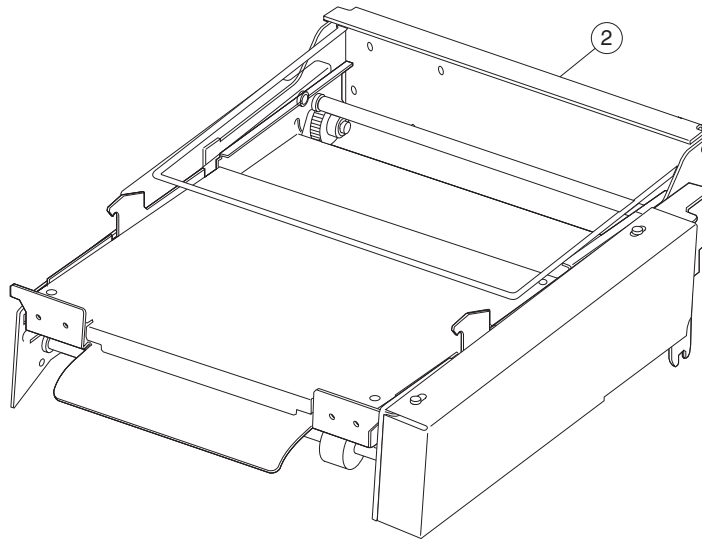
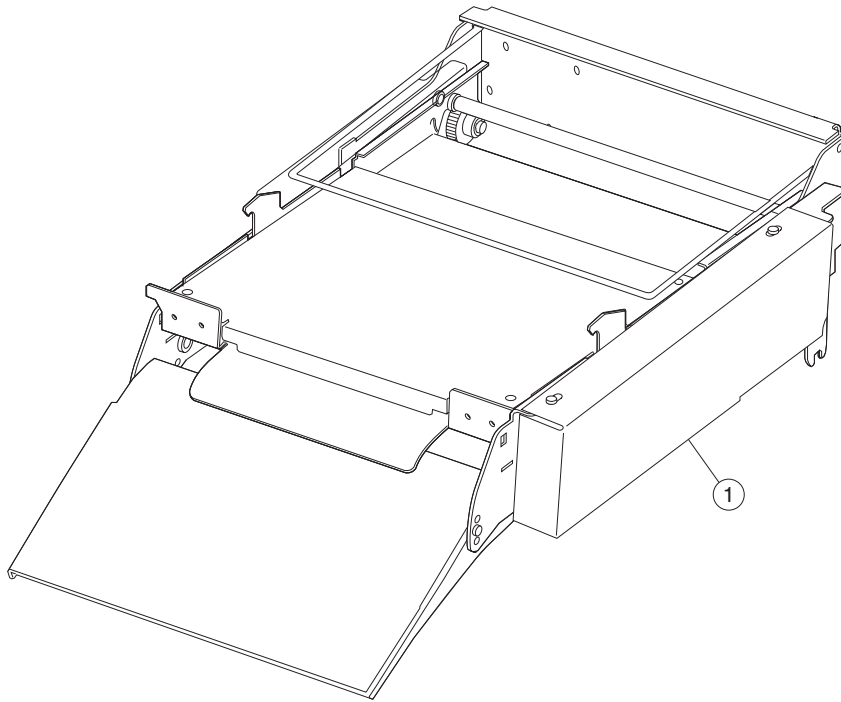
Asm-Index	Part number	Units/option	Units/kit or pkg	Description
37—1	99A0275	1	1	Power takeoff spring
2	99A0272	1	1	Drive shaft—250-sheet

Assembly 38: High-capacity feeder 4



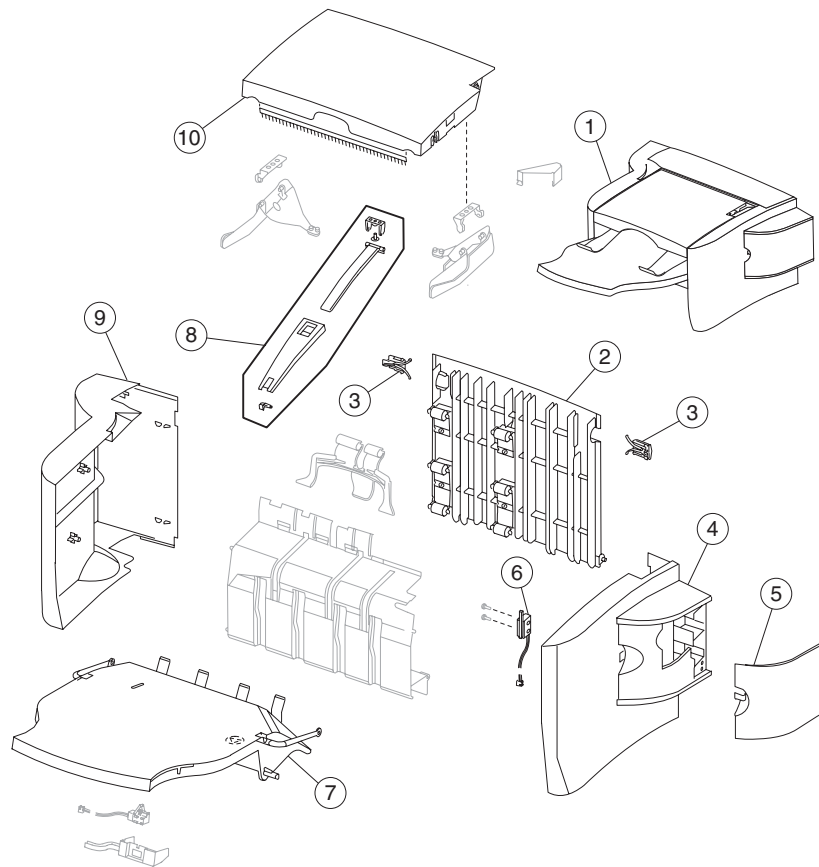
Asm-Index	Part number	Units/option	Units/kit or pkg	Description
38—1		3		Parts packet (auto comp assembly mounting screw) (PP 99A0263)
2	40X3255	1	1	Pick arm assembly—2000-sheet
3	40X0070	2	2	Pick roll assembly
4	40X3233	1	1	Option pass thru sensor

Assembly 39: Kiosk—vertical and horizontal paper adapters



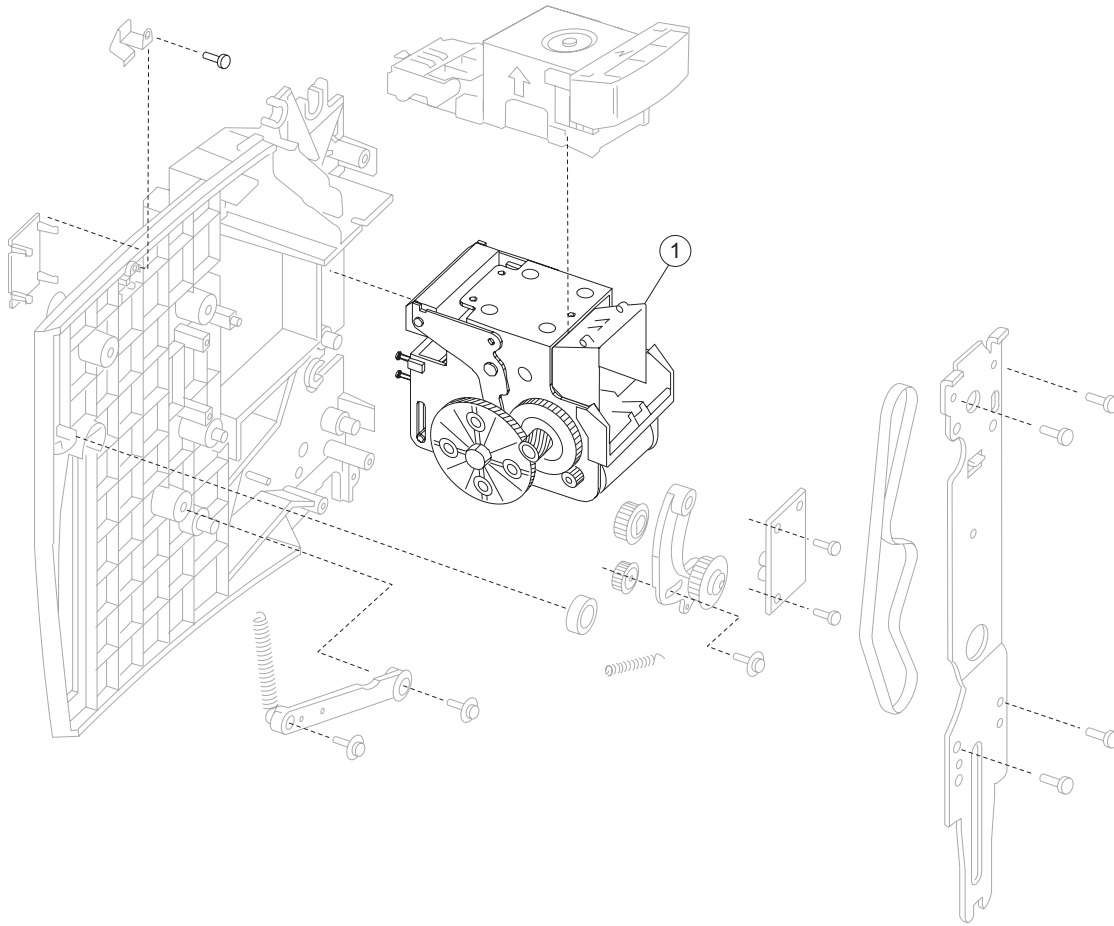
Asm-Index	Part number	Units/option	Units/kit or pkg	Description
39—1	40X3280		1	Complete vertical kiosk option
2	40X3269		1	Complete horizontal kiosk option

Assembly 40: StapleSmart finisher I



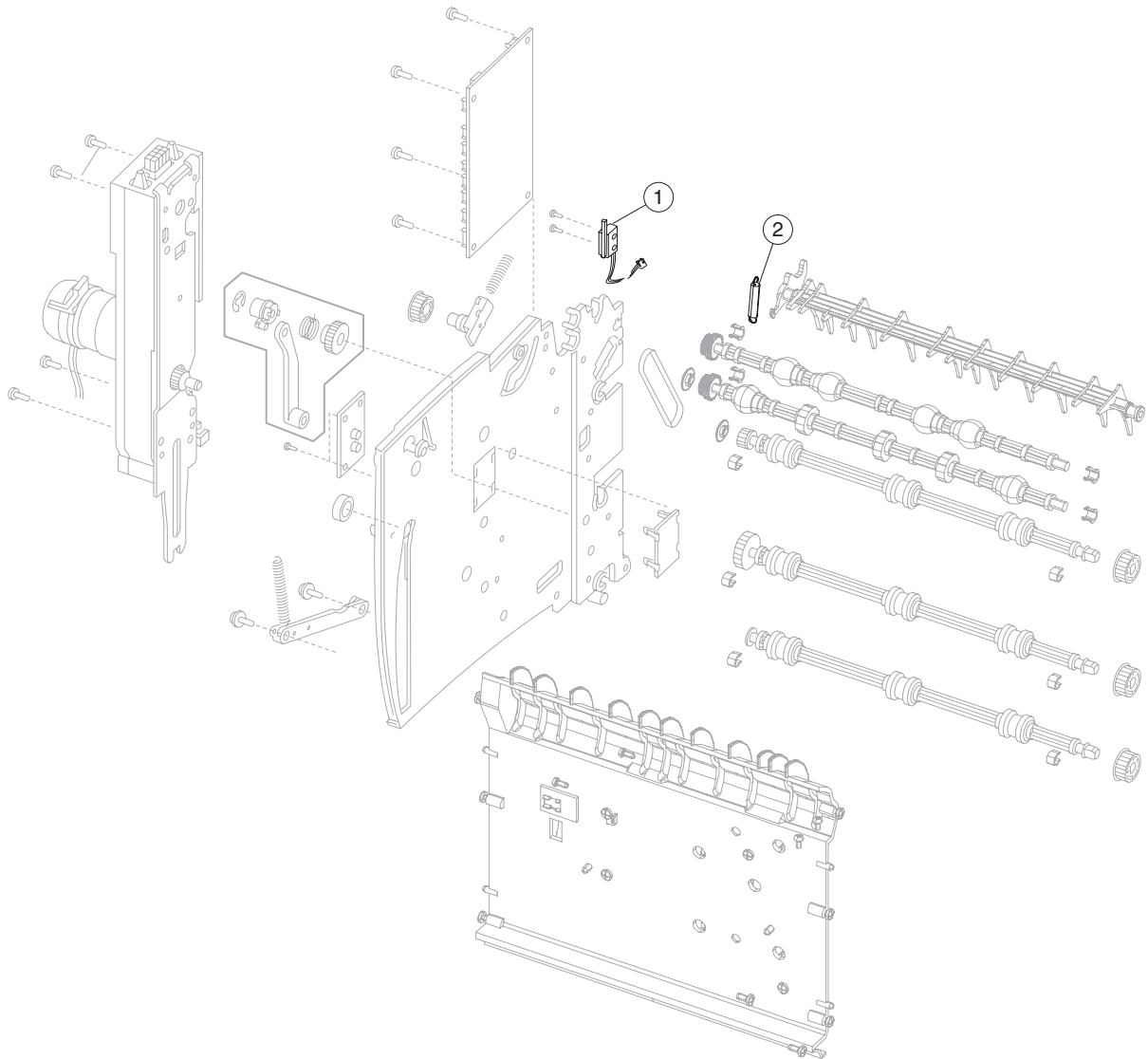
Asm-Index	Part number	Units/option	Units/kit or pkg	Description
40—1	40X3273		1	Complete option
2	40X3276	1	1	Rear access door
3	56P4211	2	1	Rear access door latch
4	56P4214	1	1	Right base assembly cover
5	56P4216	1	1	Stapler access cover
6	40X3274	1	1	Stapler access door switch assembly
7	40X3277	1	1	Output assembly tray
8	40X1816	1	1	Stacking bail kit
9	56P4213	1	1	Left base assembly cover
10	56P4218	1	1	Top assembly cover

Assembly 41: StapleSmart finisher 2



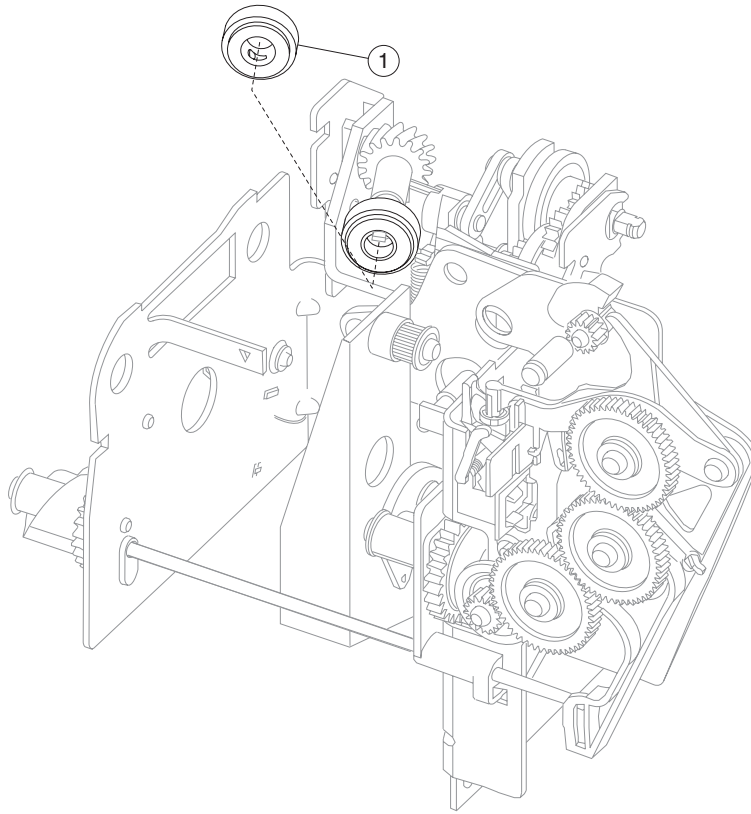
Asm-Index	Part number	Units/option	Units/kit or pkg	Description
41—1	40X3278	1	1	Stapler assembly

Assembly 42: StapleSmart finisher 3



Asm-Index	Part number	Units/option	Units/kit or pkg	Description
42—1	40X3279	1	1	Switch assembly, top cover open
2	99A0104	1	1	Spring, upper diverter

Assembly 43: StapleSmart finisher 4



Asm-Index	Part number	Units/option	Units/kit or pkg	Description
43—1	99A2480	1	1	StapleSmart wheels maintenance kit

Assembly 44: Options

Asm-Index	Part number	Units/option	Units/kit or pkg	Description
NS	40X1508	1	1	128MB memory option
NS	40X1509	1	1	256MB memory option
NS	40X1510	1	1	512MB memory option
NS	40X1564	1	1	32MB Flash card
NS	40X1565	1	1	64MB Flash card
NS	40X3212	1	1	Bar code card assembly
NS	40X3378	1	1	IPDS SCS/Tne card assembly
NS	40X0199	1	1	PrintCryption card assembly
NS	40X0252	1	1	9-pin to 9-pin cable assembly
NS	40X0250	1	1	9-pin to Twinax cable
NS	40X0251	1	1	9-pin to Coax (BNC) cable
NS	40X0265	1	1	PRESCRIBE card assembly
NS	40X0171	1	1	Cartridge shipping package, empty
NS	40X1375	1	1	MarkNet 8000 Fast Ethernet
NS	40X1376	1	1	MarkNet 8020 Gigabit Ethernet
NS	40X1377	1	1	MarkNet 8030 Fiber Ethernet
NS	40X1378	1	1	MarkNet 8050 wireless, US
NS	40X1562	1	1	MarkNet 8050 wireless, non-US
NS	40X0291	1	1	Parallel 1284-B interface card
NS	40X0290	1	1	RS232C serial interface card
NS	56P4116	1	1	Universal adjustable tray assembly—400-sheet
NS	40X3377	1	1	Forms card assembly
NS	40X1513	1	1	Simplified Chinese font card
NS	40X1514	1	1	Traditional Chinese font card
NS	40X1515	1	1	Korean font card
NS	40X1512	1	1	Japanese font card
NS	40X0179	1	1	Nyogel 744 grease packet
NS	7375084	1	1	Relocation kit—250/250-sheet printer
NS	7375085	1	1	Relocation kit—500/500-sheet printer