

7. Parts catalog

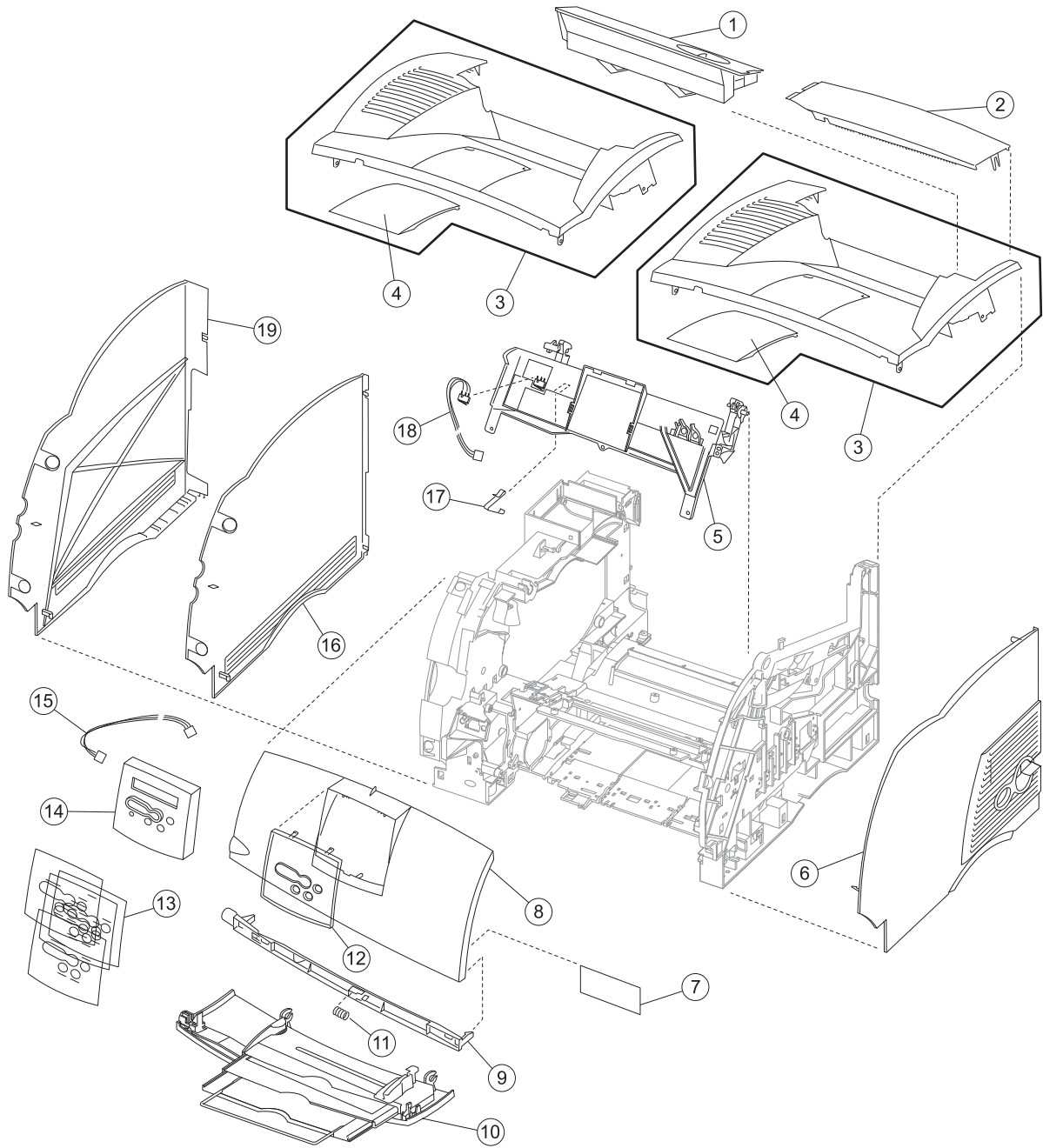
How to use this parts catalog

- **SIMILAR ASSEMBLIES:** If two assemblies contain a majority of identical parts, they are shown on the same list. Common parts are shown by one index number. Parts peculiar to one or the other of the assemblies are listed separately and identified by description.
- **NS:** (Not Shown) in the Asm—Index column indicates that the part is procurable but is not pictured in the illustration.
- **PP:** (Parts Packet) in the Description column indicates the part is contained in a parts packet.

The parts catalog uses the last three digits of the type to identify model specific replacement FRUs.

Model name	Configuration	Machine type	Parts catalog
Lexmark T630	Non-network	4060-000	000
Lexmark T630n	Network	4060-010	010
Lexmark T632	Non-network	4060-200	200
Lexmark T632n	Network	4060-210	210
Lexmark T634	Non-network	4060-400	400
Lexmark T634n	Network	4060-410	410

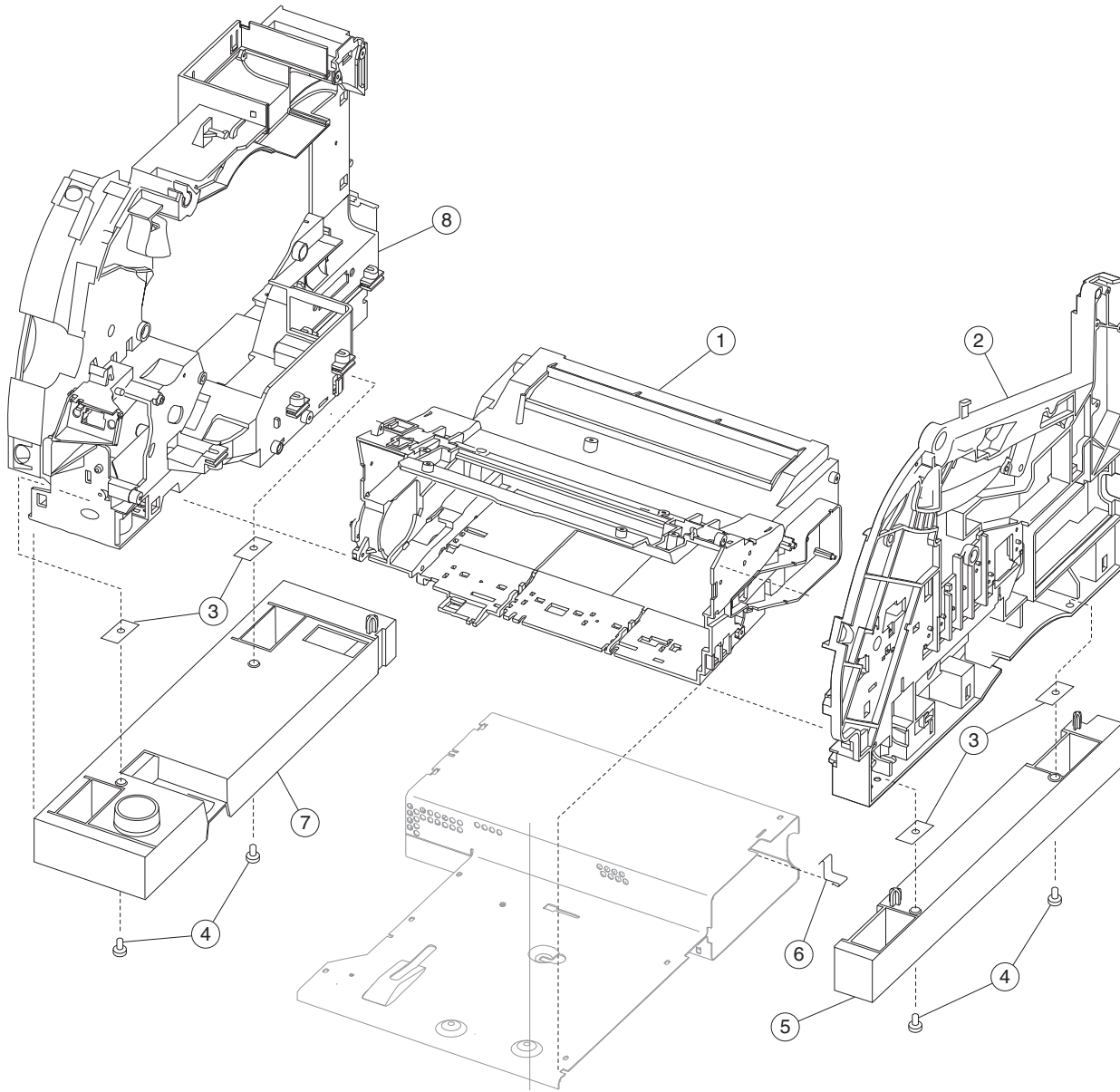
Assembly 1: Covers



Assembly 1: Covers

Asm-Index	Part number	Units	Description
1—1	56P1300	1	Cover, fuser wick assembly
2	99A2074	1	Cover assembly, redrive cap
3	56P1301	1	Cover assembly, laser assembly, 250-sheet output, 000/010
3	56P1302	1	Cover assembly, laser assembly, 500-sheet output, 200/210/400/410
4	56P2797	1	Support, paper assembly
5	56P1305	1	Hinge, upper front cover
6	56P1306	1	Cover, right side, 250-sheet output, 000/010
6	56P1307	1	Cover, right side 500-sheet output, 200/210/400/410
7	99A0007	1	Label, TLI/ID/serial number—blank
8	56P1303	1	Upper front cover with Lexmark logo
9	56P1308	1	Latch, upper cover
10	56P1309	1	Cover assembly, lower front
11	99A0004	1	Spring, latch
12	56P1356	1	Cover, clear bezel, 000/010
12	56P1358	1	Cover, clear bezel, 200/210
12	56P1862	1	Cover, clear bezel, 400/410
13	56P1753	1	Kit, operator panel overlay—English, Brazilian Portuguese, French, and Spanish
13	56P1754	1	Kit, operator panel overlay—Dutch, French, German, and Italian
13	56P1755	1	Kit, operator panel overlay—Czech and Hungarian
13	56P1756	1	Kit, operator panel overlay—Danish, Finnish, Norwegian, and Swedish
13	56P1757	1	Kit, operator panel overlay—Polish, Russian, and Turkish
13	56P1758	1	Kit, operator panel overlay—WW English and Spanish
13	56P1759	1	Kit, operator panel overlay—WW English, Simplified Chinese, Traditional Chinese, and Japanese
14	56P1310	1	Operator panel assembly 110V
14	56P1311	1	Operator panel assembly 220V
15	56P1394	1	Cable assembly, operator panel
16	56P2122	1	Cover, left door, 250 1-slot, 000/010
17	99A1524	1	Cartridge load spring
18	56P1395	1	Switch, cover closed w/cable assembly
19	56P2126	1	Cover, left door, 500 2-slot, 200/210/400/410
NS	99A0577	1	Parts packet, cable ties (10 each)
NS	99A1594	1	Retainer, cable
NS	99A0263	5	Parts packet, screw (left side cover mounting)
NS	99A0263	3	Parts packet, screw (right side cover mounting)
NS	99A0263	6	Parts packet, screw (laser cover)
NS	99A0263	5	Parts packet, screw (upper front cover mounting)

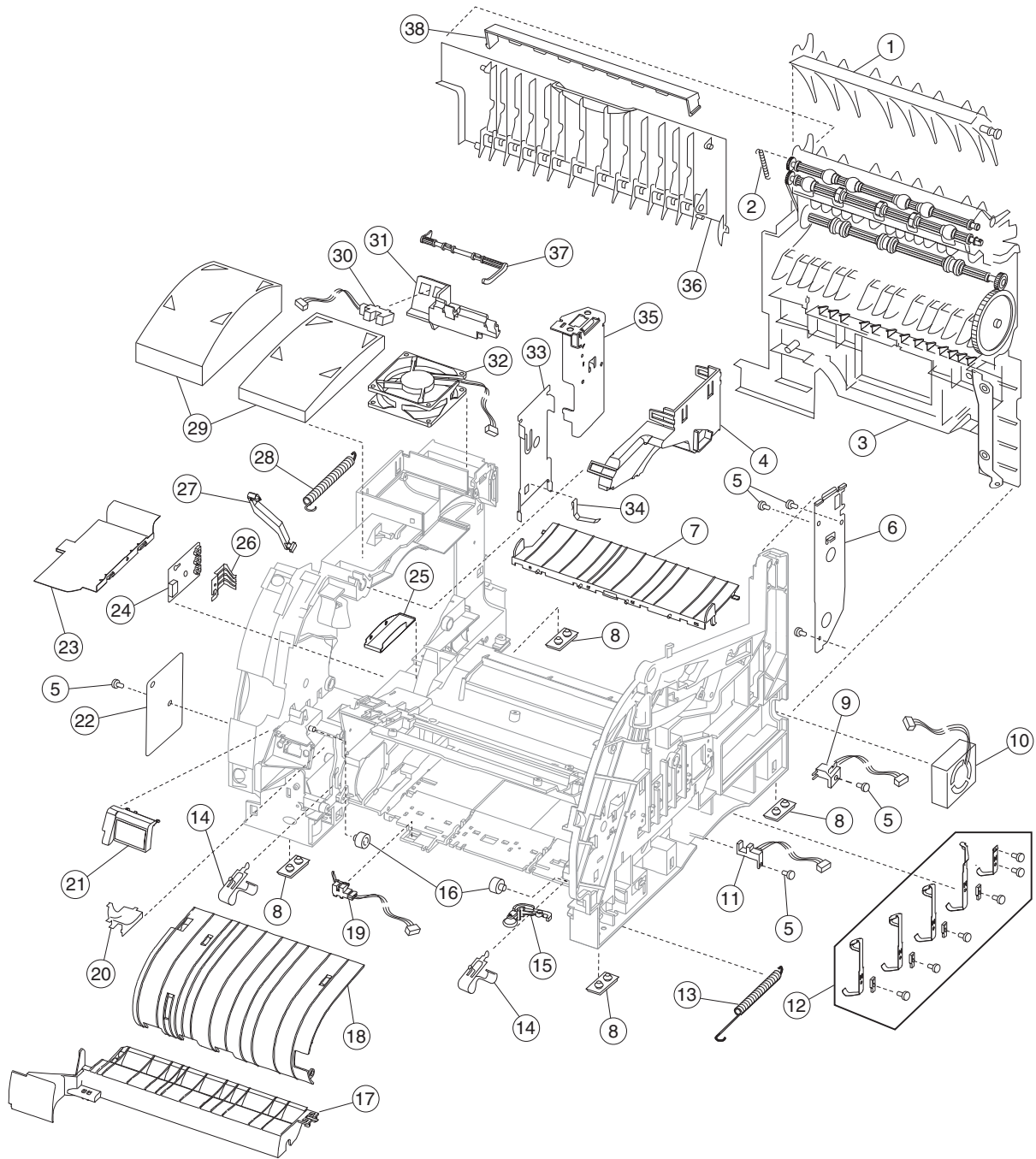
Assembly 2: Frame 1



Assembly 2: Frame 1

Asm-index	Part number	Units	Description
2—1	56P1322	1	Frame, EP module, 000/010
1	56P1347	1	Frame, EP module, 200/210/400/410
2	56P1320	1	Right side frame assembly
3	99A1540	4	Nut plate, frame extension, 200/210/400/410
4	99A0263	4	Parts packet, screw
5	99A1518	1	Frame extension, right, 200/210/400/410
6	99A1538	1	Contact, RSF ground
7	99A1517	1	Frame extension, left, 200/210/400/410
8	56P1321	1	Left side frame

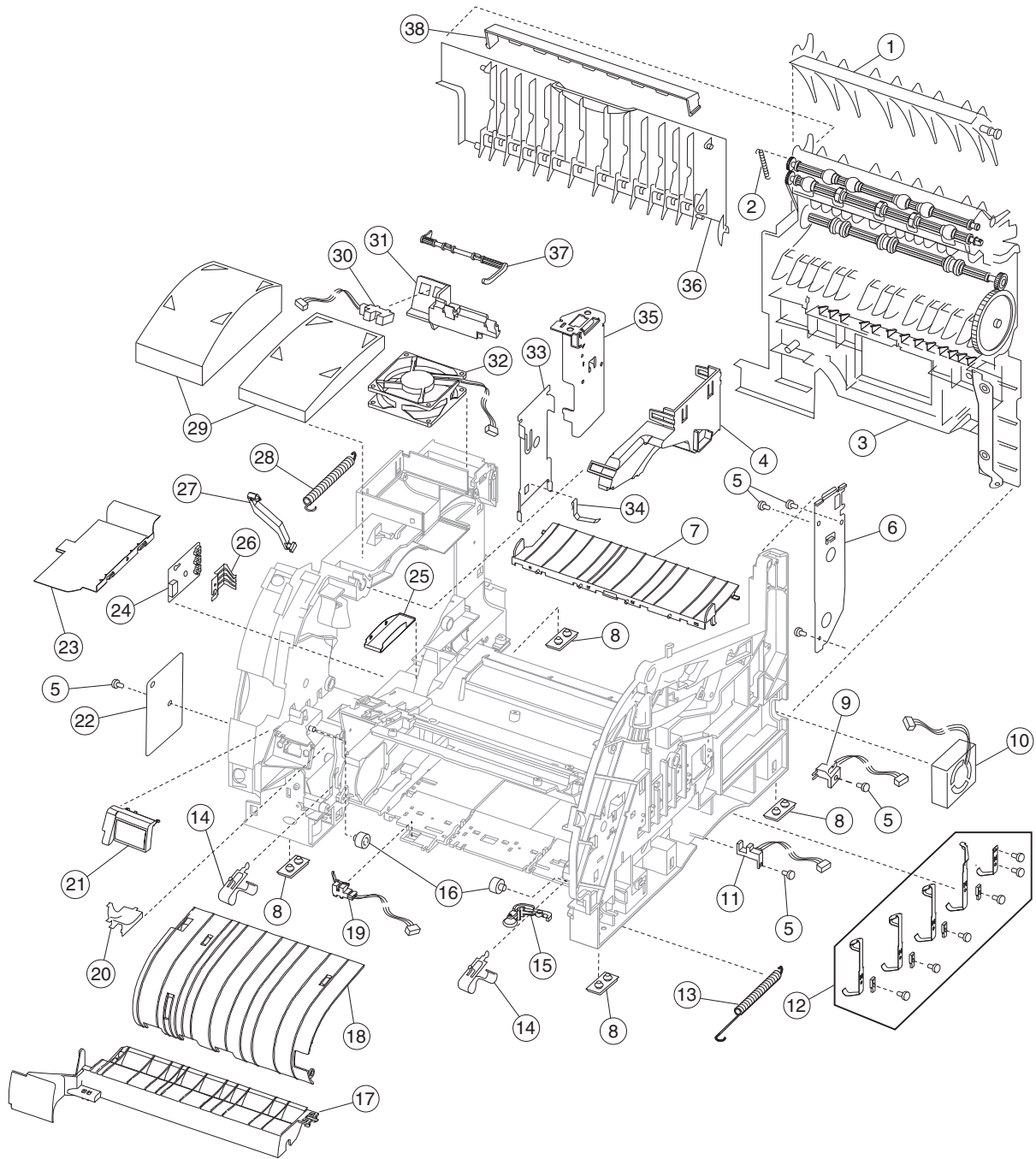
Assembly 3: Frame 2



Assembly 3: Frame 2

Asm-index	Part number	Units	Description
3—1	99A1857	1	Upper redrive deflector
2	99A0104	1	Upper diverter spring
3	99A2151	1	Redrive assembly, 250 in/250 out, 000/010
3	56P1328	1	Redrive assembly, 500 in/500 out, 200/210/400/410
4	56P1318	1	Duct, main cap
5	99A0263	3	Parts packet, screw
6	99A2021	1	Support, right stacker plate, 000/010
6	56P1319	1	Support, right stacker plate, 200/210/400/410
7	99A2020	1	Transfer plate assembly
8	99A2077	4	Pad, machine mounting
9	56P1399	1	Smart cartridge contact assembly w/cable
10	56P1408	1	Cartridge fan
11	56P1361	1	Toner sensor assembly
12	99A0585	1	Parts packet, contact kit <ul style="list-style-type: none"> • Contact, doctor blade/TAR/developer roll (3) • Contact, PC drum (1) • Contact, charge roll (1) • Block, contact mounting (4) • Screw, contact mounting (5)
13	99A0028	1	Spring, tray bias
14	99A2019	2	Spring, cartridge hold down
15	99A0026	1	Tray bias arm assembly
16	99A0039	2	Roller, developer support
17	99A1525	1	Deflector, upper PF
18	56P1334	1	Deflector, inner, 000/010 (500-sheet redrive)
18	56P1336	1	Deflector, inner, 200/210/400/410 (250-sheet redrive)
19	99A0053	1	Sensor, input
20	99A1546	1	Shield, gear #60/MPF
21	99A0549	1	Shield, ESD assembly with label
22	99A2445	1	Guard, gear
23	99A2078	1	Pan, motor drip
24	56P1350	1	Board, input tray (ITC)
25	99A2076	1	Pan, drip ITC
26	99A0063	1	Paper switch activate
27	99A0567	1	Link, gear release
28	99A0556	1	Spring, counterbalance
29	56P1314	1	Shroud, fan, 000/010
29	56P1315	1	Shroud, fan, 200/210/400/410
30	56P1391	1	Sensor, standard bin level with cable
31	99A0062	1	Bracket, level sensor
32	56P1360	1	Fan, main w/cable
33	99A2018	1	Support, left lower stacker

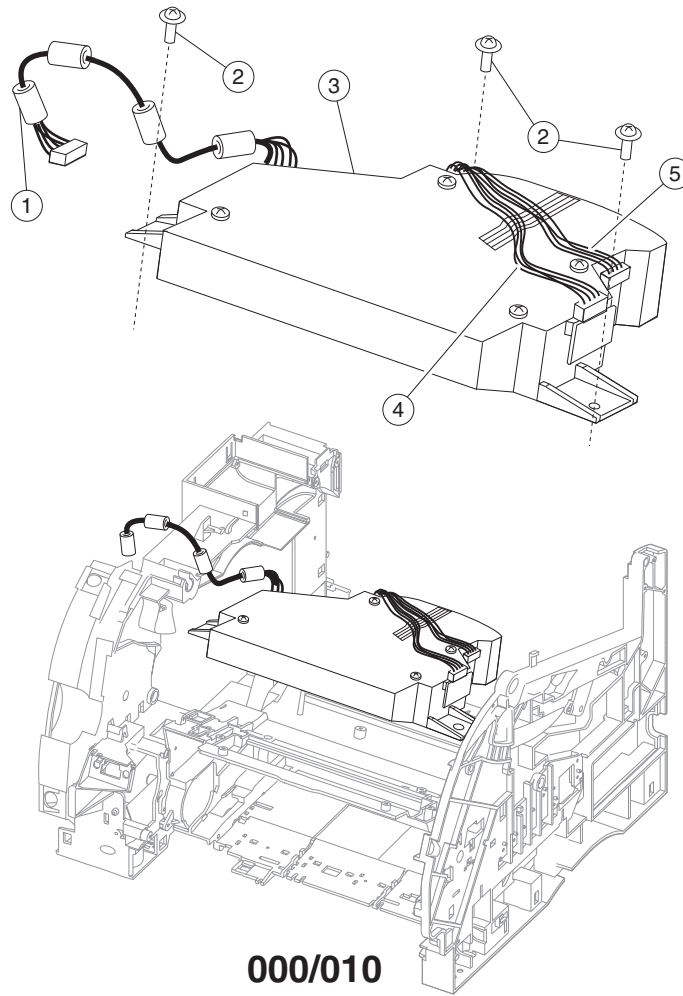
Assembly 3 (cont.): Frame 2



Assembly 3 (cont.): Frame 2

Asm-index	Part number	Units	Description
3—34	99A1596	1	Contact, LSF ground
35	56P1317	1	Duct, left stacker, 250-sheet, 000/010
35	99A2016	1	Duct, left stacker, 500-sheet, 200/210/400/410
36	56P1351	1	Door assembly, redrive 250-sheet
36	56P1329	1	Door assembly, redrive 500-sheet
37	99A1613	1	Flag, output paper level, 000/010
37	56P1316	1	Flag, output paper level, 200/210/400/410
38	99A2017	1	Guide, extension
NS	99A1541	1	Clip, external ground
NS	99A0263	17	Parts packet, screw

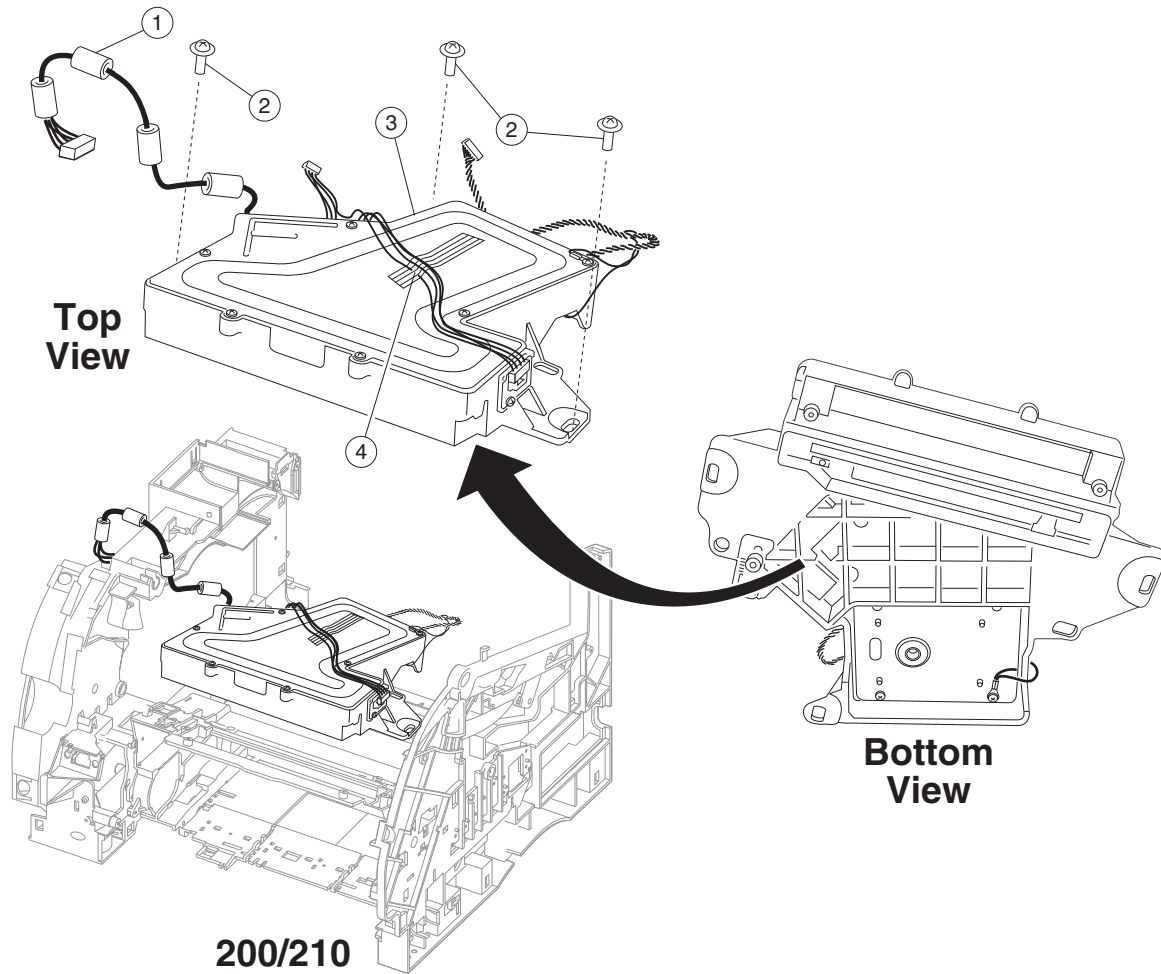
Assembly 4: Printhead 1 (000/010)



000/010

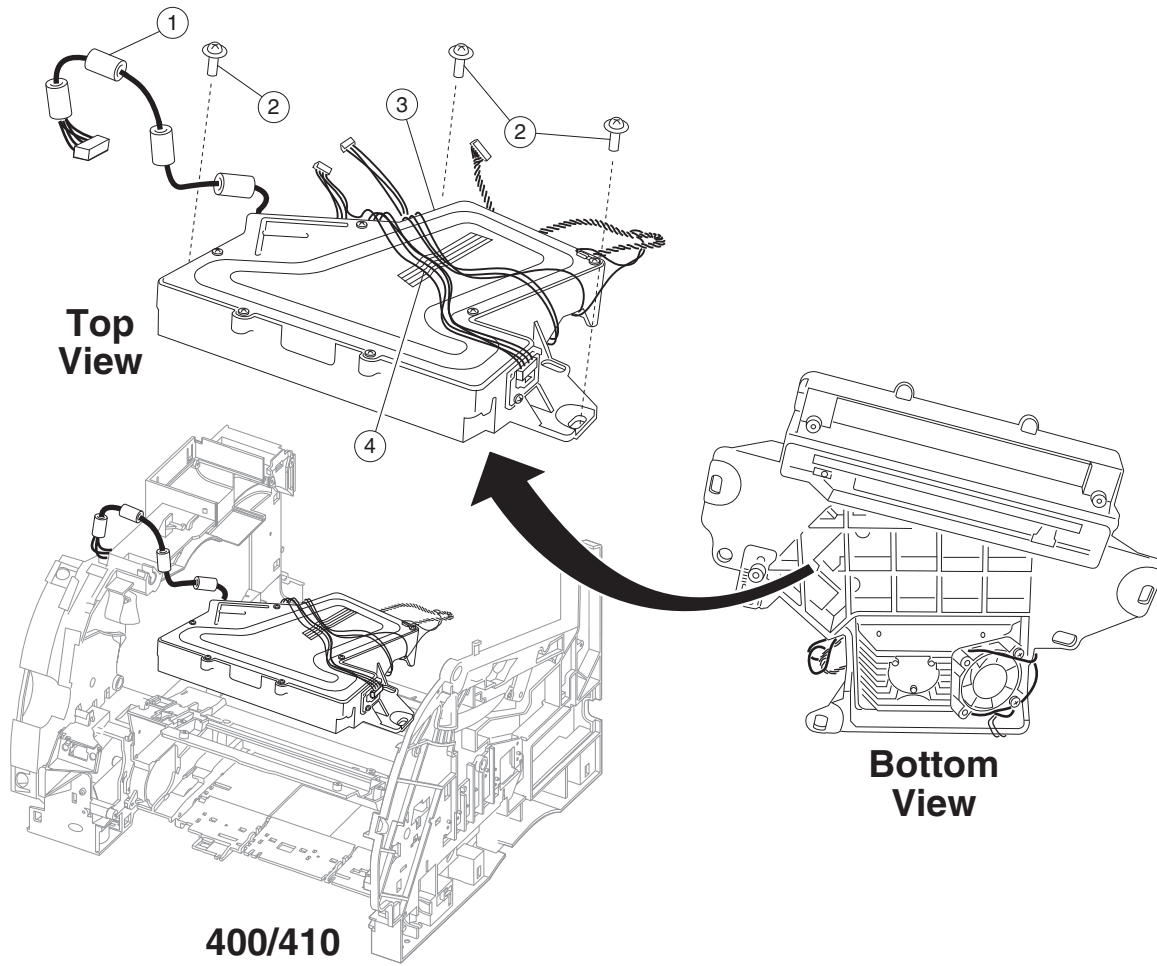
Asm-index	Part number	Units	Description
4—1	56P1386	1	Cable, laser
2	99A0263	3	Parts packet, screw (printhead mounting)
3	56P1396	1	Printhead assembly (includes all cables), 000/010
4	56P1387	1	Cable, HSYNC
5	56P1388	1	Cable, mirror motor, 000/010

Assembly 5: Printhead 2 (200/210)



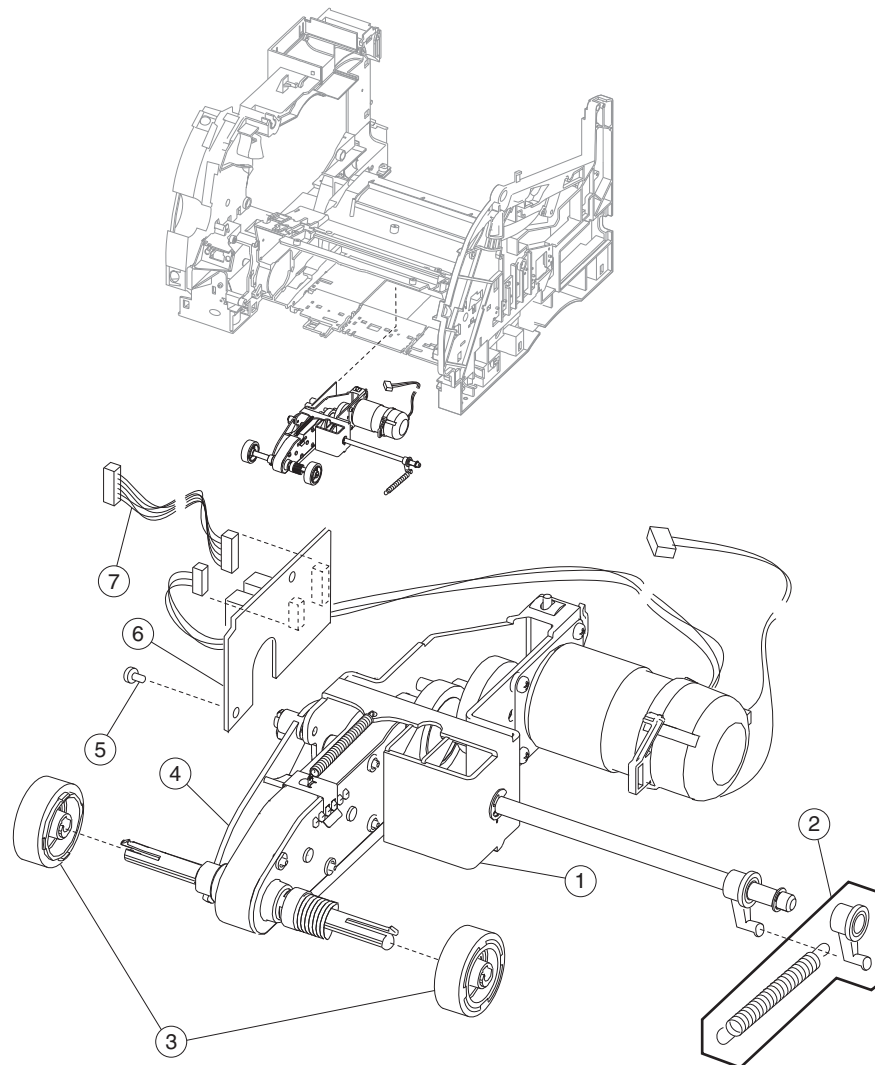
Asm-index	Part number	Units	Description
5—1	56P1386	1	Cable, laser
2	99A0263	3	Parts packet, screw (printhead mounting)
3	56P1443	1	Printhead assembly (includes all cables), 200/210
4	56P1387	1	Cable, HSYNC

Assembly 6: Printhead 3 (400/410)



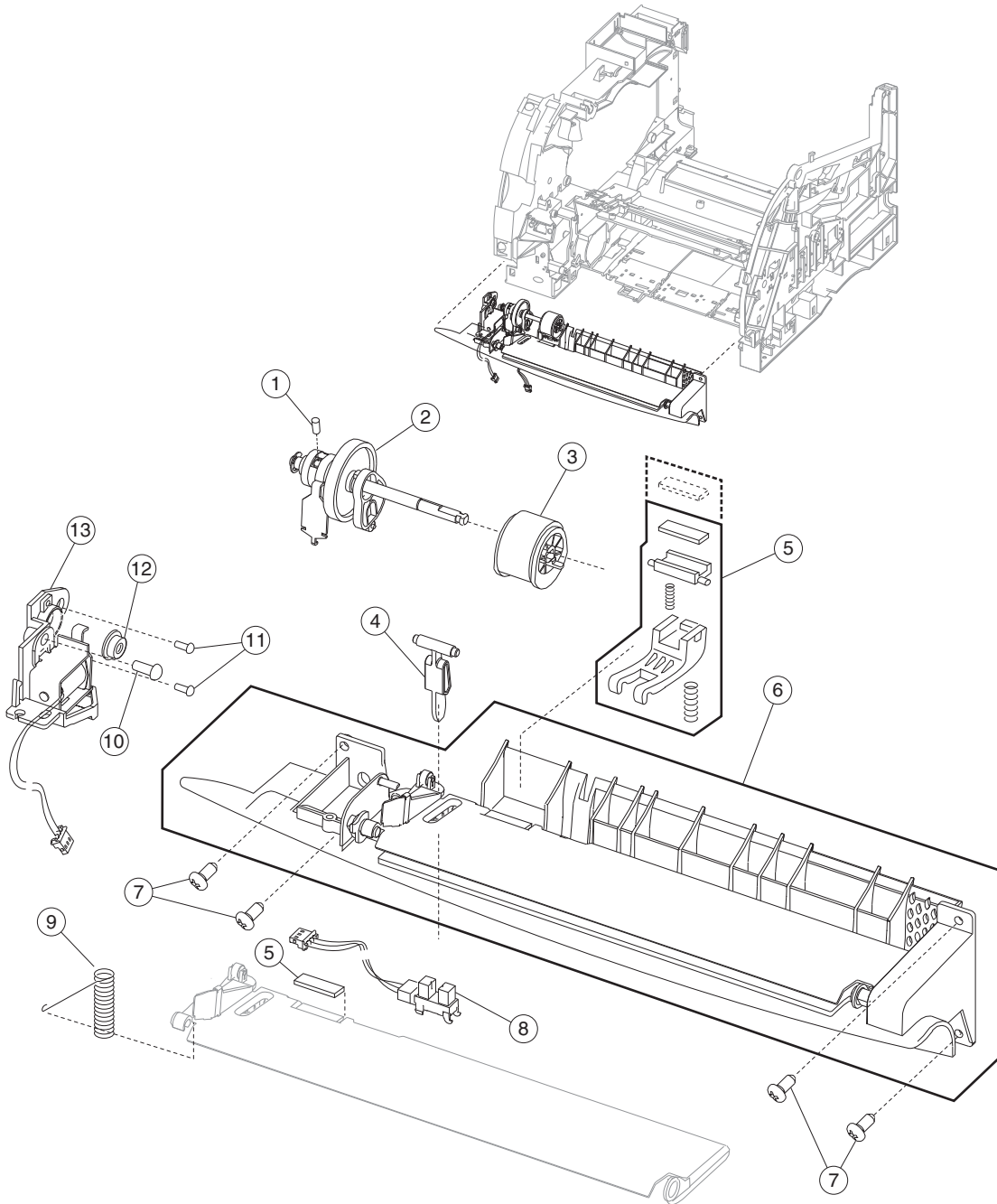
Asm-index	Part number	Units	Description
6—1	56P1386	1	Cable, laser
2	99A0263	3	Parts packet, screw (printhead mounting)
3	56P1854	1	Printhead assembly (includes all cables), 400/410
4	56P1387	1	Cable, HSYNC

Assembly 7: Paper feed—autocompensator



Asm-index	Part number	Units	Description
7—1	56P1325	1	Pick arm assembly (500-sheet), 200/210/400/410
1	56P1326	1	Pick arm assembly (250-sheet), 000/010
2	56P1337	1	Parts packet, bellcrank and spring for 250 tray, 000/010
2	56P1331	1	Parts packet, bellcrank and spring for 500 tray, 200/210/400/410
3	40X4308	2	Pick roll assembly
4	56P1324	1	Flag, paper out 250-sheet tray, 000/010
4	56P1323	1	Flag, paper out 500-sheet tray, 200/210/400/410
5	99A0263	1	Parts packet, screw (hanger)
6	56P1406	1	Card asm, paper wt/paper low/out sensor
7	56P1382	1	Int. card/autocomp card cable (paper low/out sensors)

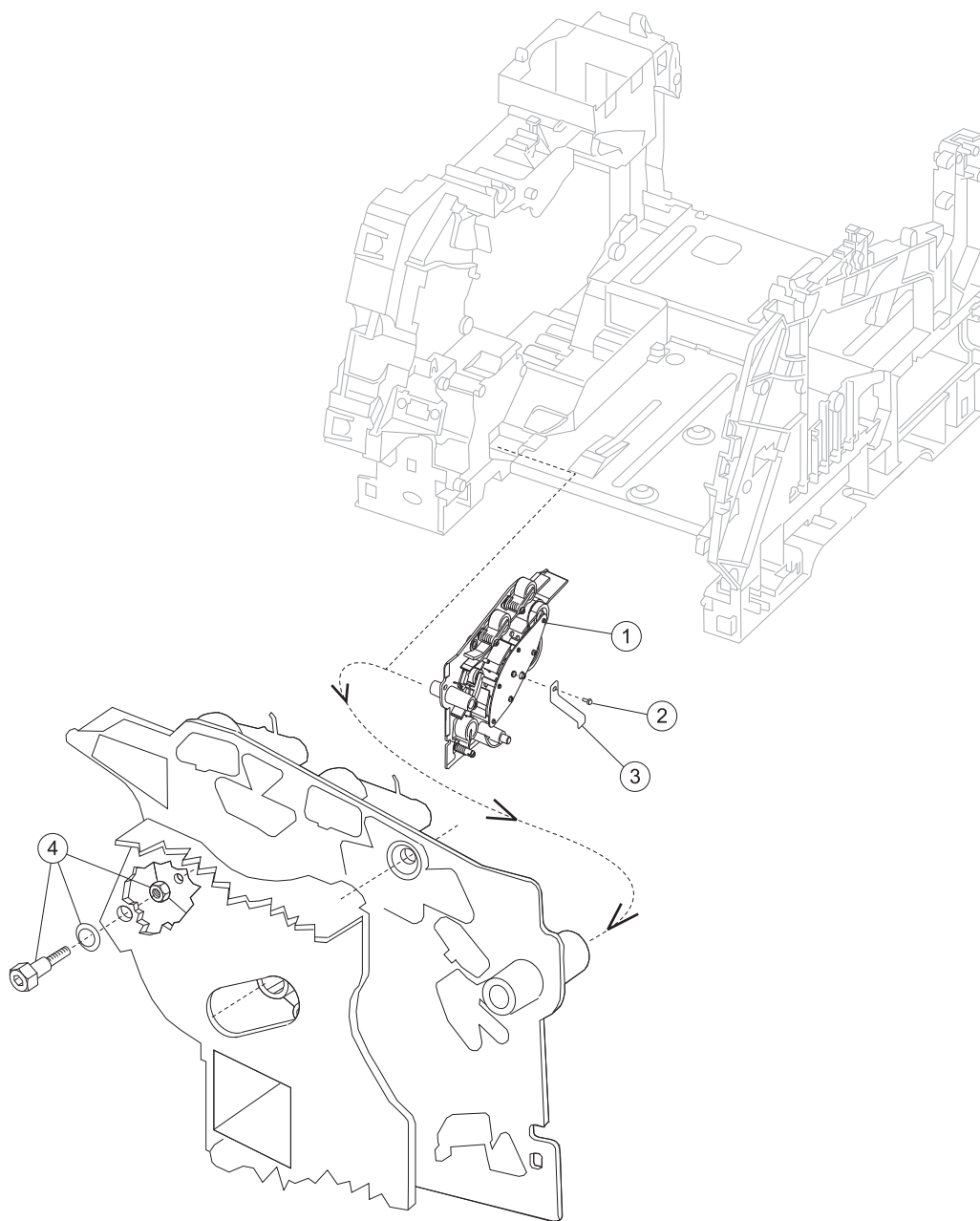
Assembly 8: Paper feed—multipurpose feeder



Assembly 8: Paper feed—multipurpose feeder

Asm-index	Part number	Units	Description
8—1	99A0075	1	Screw, socket set M4X5 mm
2	99A0071	1	Arm assembly, MPF
3	99A0076	1	Pick roll assembly
4	99A0084	1	Flag, MPT paper out
5	56P1352	1	MPF pad/separator arm assembly, includes: <ul style="list-style-type: none"> • Pad, restraint • Pad, separator • Housing, separator pad • Spring, sep pad • Arm, separator • Spring, sep
6	99A2092	1	MPF lower deflector
7	99A0263	2	Parts packet, screw (lower deflector mounting 8 mm)
7	99A0263	2	Parts packet, screw (lower deflector mounting 12 mm)
8	99A2071	1	Sensor, MPF paper out
9	99A0081	1	Spring assembly, separator
10	99A0263	1	Parts packet, screw (frame mounting)
11	99A0073	2	Screw, damper
12	99A0074	2	Bushing, pick roll shaft
13	56P2407	1	MPF frame assembly with solenoid
NS	99A0267	2	Parts packet, clip (pick roll shaft)

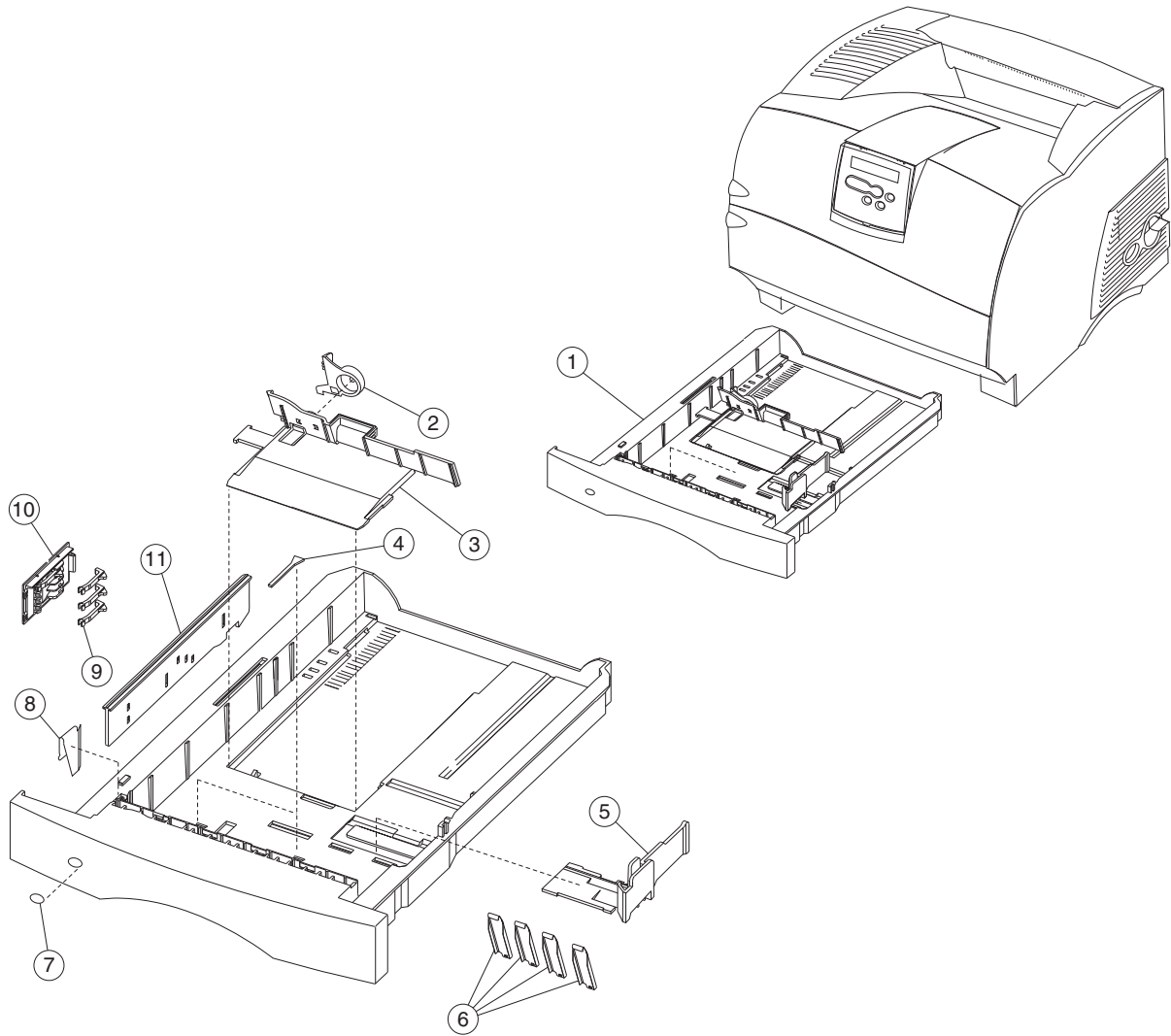
Assembly 9: Paper feed—alignment



Assembly 9: Paper feed—alignment

Asm-index	Part number	Units	Description
9—1	56P1327	1	Alignment assembly paper feed
2	99A0263	1	Parts packet, screw (clip ref ground mounting)
3	56P1349	1	Clip, reference ground
4	56P1346	1	Parts packet (reference adjust) <ul style="list-style-type: none"> • Screw, paper reference adjust • Washer, paper reference adjust • Nut, paper reference adjust
NS	99A0263	3	Parts packet, screw (alignment asm mounting)

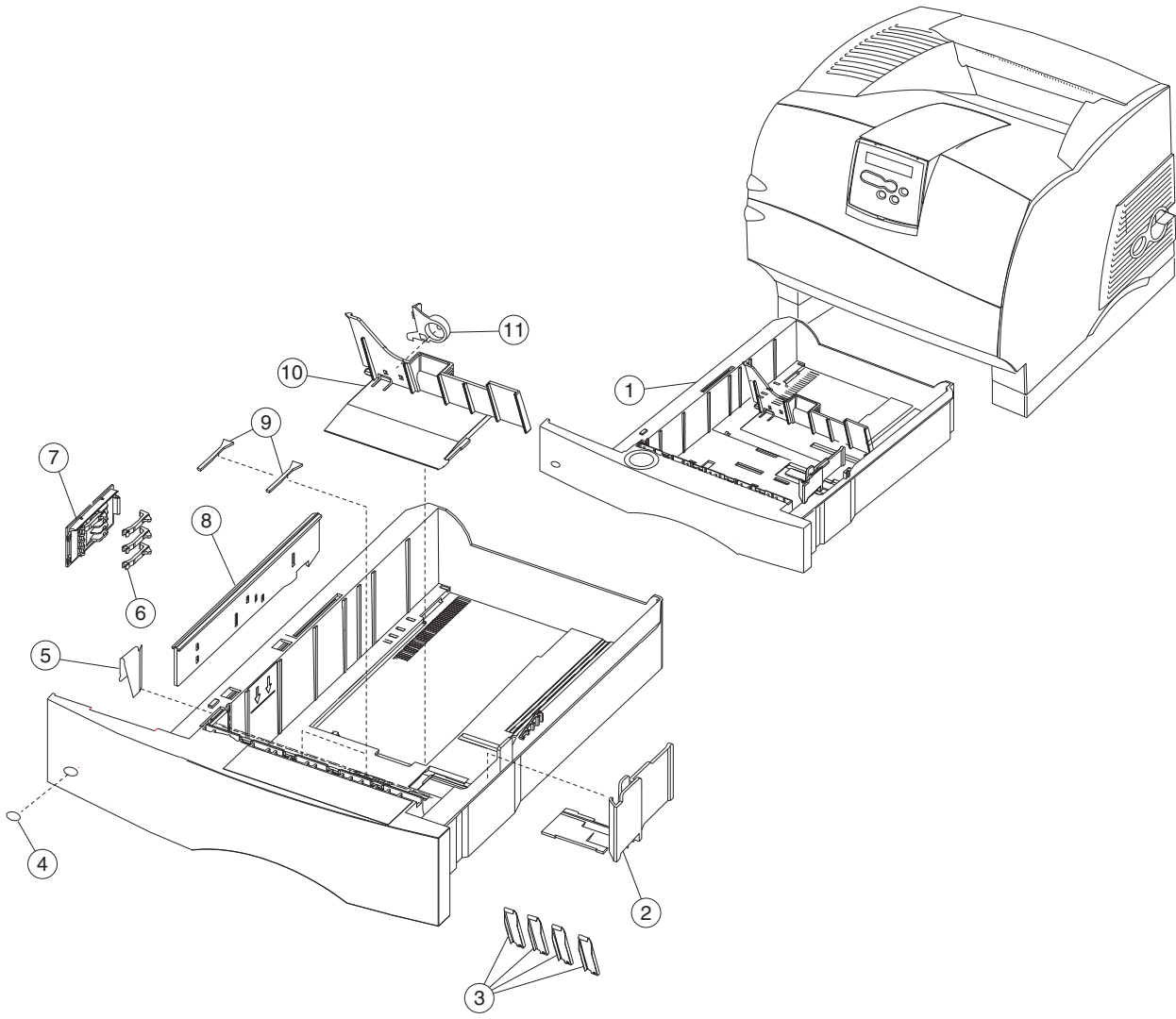
Assembly 10: Integrated paper tray—250-sheet



Assembly 10: Integrated paper tray—250-sheet

Asm-index	Part number	Units	Description
10—1	99A1536	1	Tray, integrated 250-sheet
2	99A1601	1	Latch, back restraint
3	99A2160	1	Restraint, back 250-sheet tray
4	99A0120	2	Restraint pad
5	99A1894	1	Restraint, side 250-sheet tray
6	56P1279	4	Wear strips
7	99A1812	1	Label, tray option number
8	99A0121	1	Clip, 250-sheet tray wear
9	99A0126	3	Finger, autosize
10	99A0124	1	Plate, snap-in
11	99A0127	1	Slider, autosize 250-sheet

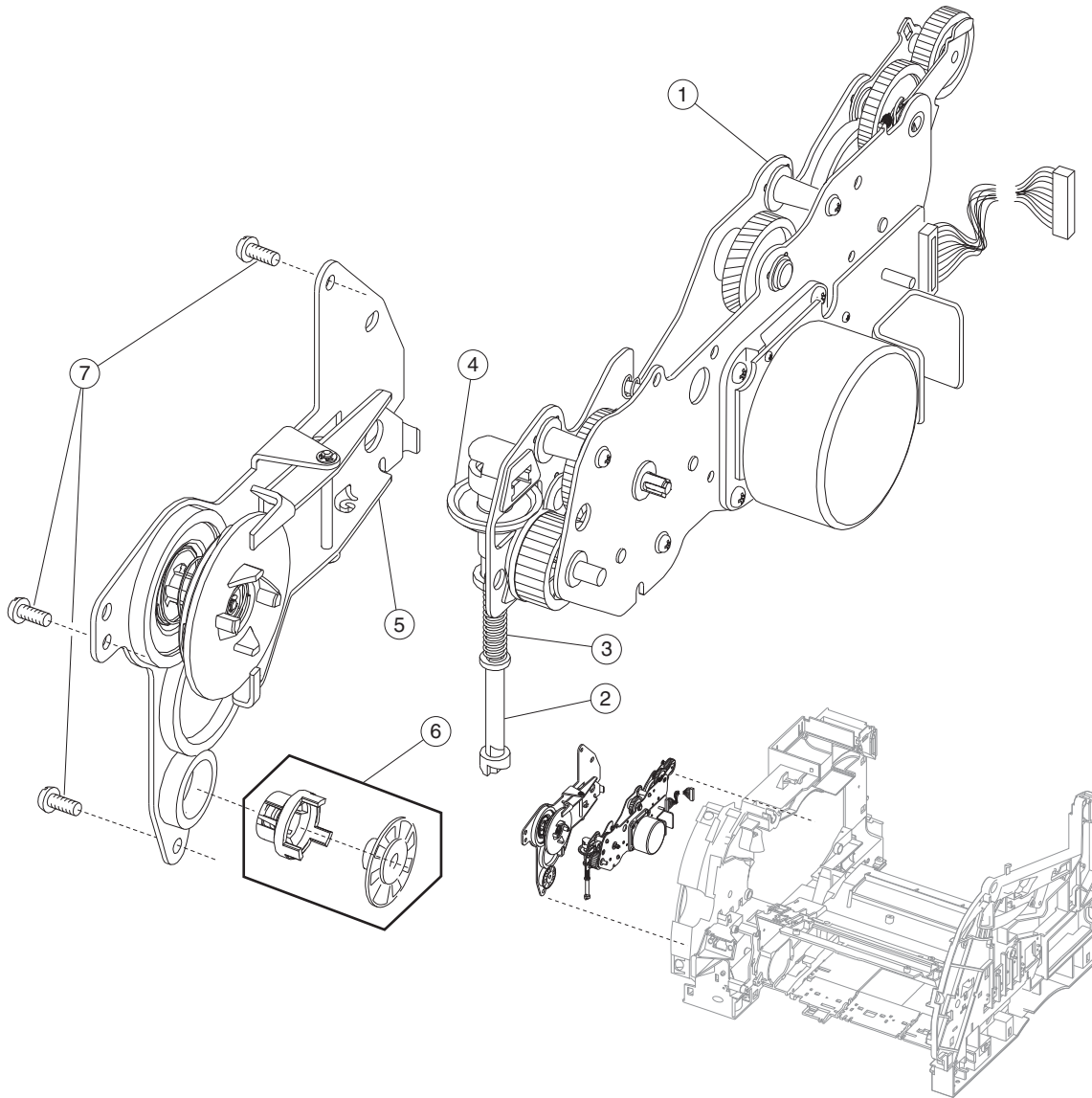
Assembly 11: Integrated paper tray—500-sheet



Assembly 11: Integrated paper tray—500-sheet

Asm-index	Part number	Units	Description
11—1	99A1576	1	Tray assembly 500-sheet
2	99A1895	1	Restraint, side
3	99A0292	4	Strip, wear
4	99A1812	1	Label, tray option number
5	99A1583	1	Plate, 500-sheet tray wear
6	99A0126	3	Finger, autosize
7	99A0124	1	Plate, snap-in
8	99A1582	1	Slider, autosize 500-sheet
9	99A0120	2	Restraint pad
10	99A2093	1	Restraint, back
11	99A1601	1	Latch, back restraint

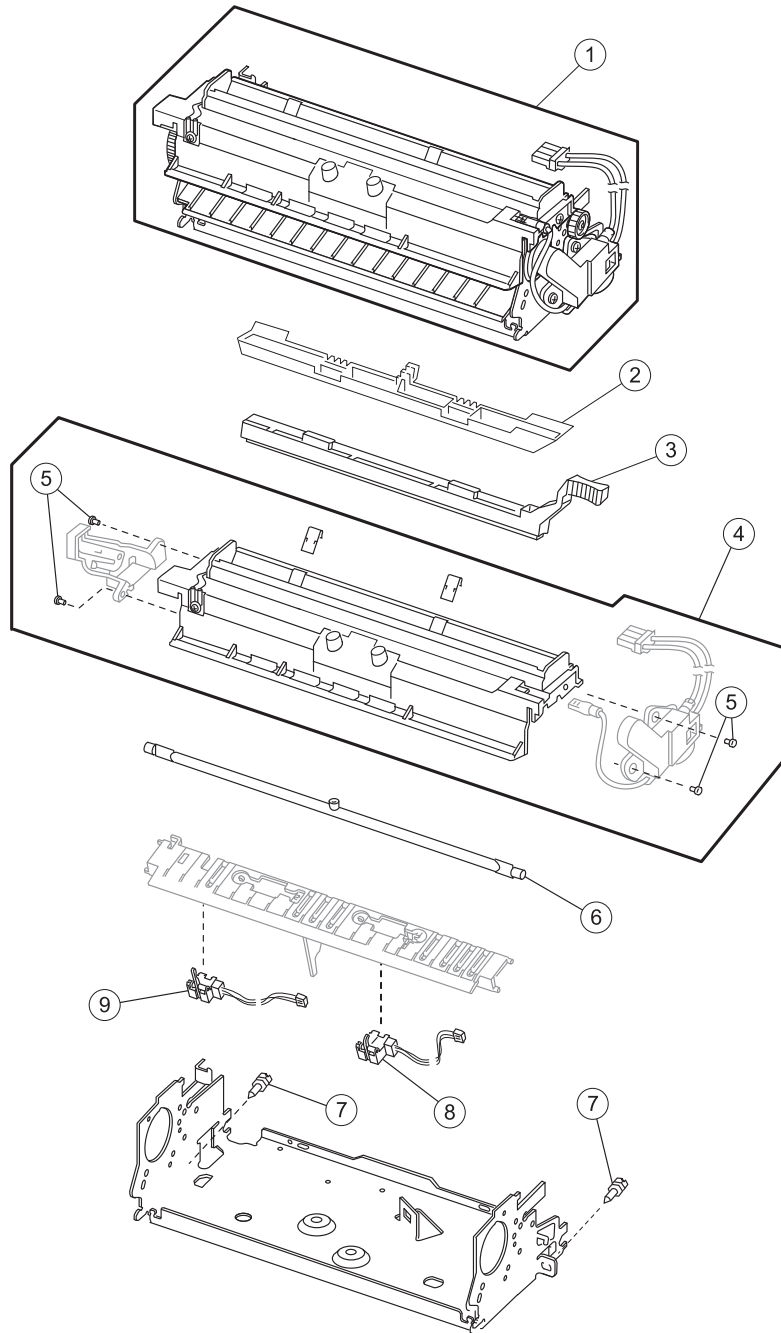
Assembly 12: Drives—Main drive and developer drive



Assembly 12: Drives—Main drive and developer drive

Asm-index	Part number	Units	Description
12—1	56P1330	1	Gearbox, w/motor, 000/010/200/210
1	56P1858	1	Gearbox, w/motor, 400/410
2	99A0134	1	Shaft, power takeoff 250, 000/010
2	99A1569	1	Shaft, power takeoff 500, 200/210/400/410
3	99A0275	1	Spring, power takeoff shaft
4	99A0954	1	Gear, bevel with grease packet and washer
5	99A1544	1	Developer drive assembly
6	99A2081	1	Parts packet, developer drive shaft, coupler gear #55
7	99A0263	3	Parts packet, screw (developer drive ground)
NS	99A0263	4	Parts packet, screw (gearbox mounting)
NS	99A0263	3	Parts packet, screw (motor mounting)

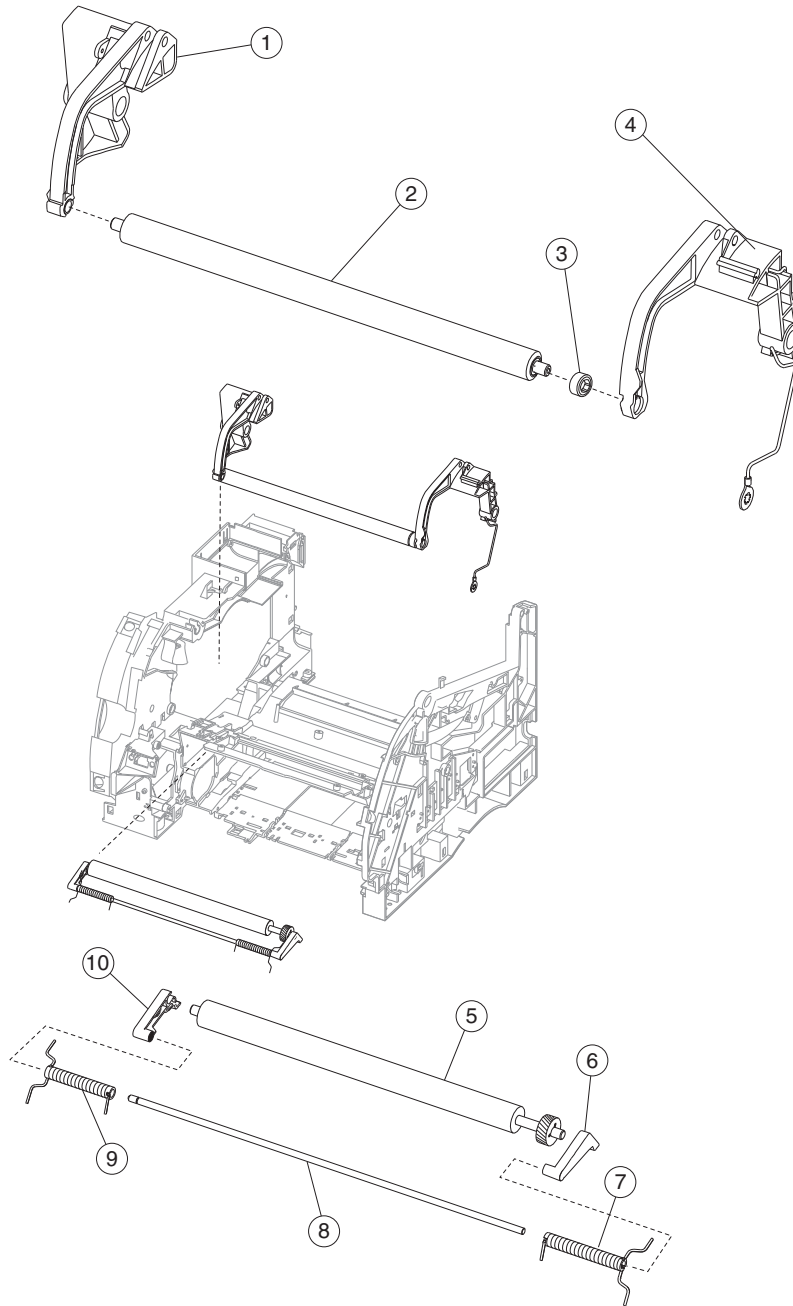
Assembly 13: Hot roll fuser



Assembly 13: Hot roll fuser

Asm-index	Part number	Units	Description
13—1	56P2542	1	Fuser assembly w/115V lamp, 000/010/200/210
1	56P2543	1	Fuser assembly w/100V lamp, 000/010/200/210
1	56P2544	1	Fuser assembly w/220V lamp, 000/010/200/210
1	56P2545	1	Fuser assembly w/115V lamp, 400/410
1	56P2546	1	Fuser assembly w/220V lamp, 400/410
1	56P2547	1	Fuser assembly w/100V lamp, 400/410
2	99A1658	1	Cover, fuser wiper cavity
3	56P1415	1	Wiper assembly, wet
4	56P1348	1	Kit, fuser cover assembly with thermistor, thermal fuse, and L & R fuser lamp contact assemblies, w/ fuser cover control card
5	99A0263	4	Parts packet, screws: <ul style="list-style-type: none"> • Contact assembly (4) • Solenoid mounting (1) • Board cover mounting (1) • Fuser cover assembly (4) • Hanger (7)
6	56P1362	1	Lamp, 115V, 000/010/200/210
6	56P1363	1	Lamp, 220V, 000/010/200/210
7		2	Screw, PP 99A0263
8	56P1402	1	Sensor, narrow media
9	56P1403	1	Sensor, exit

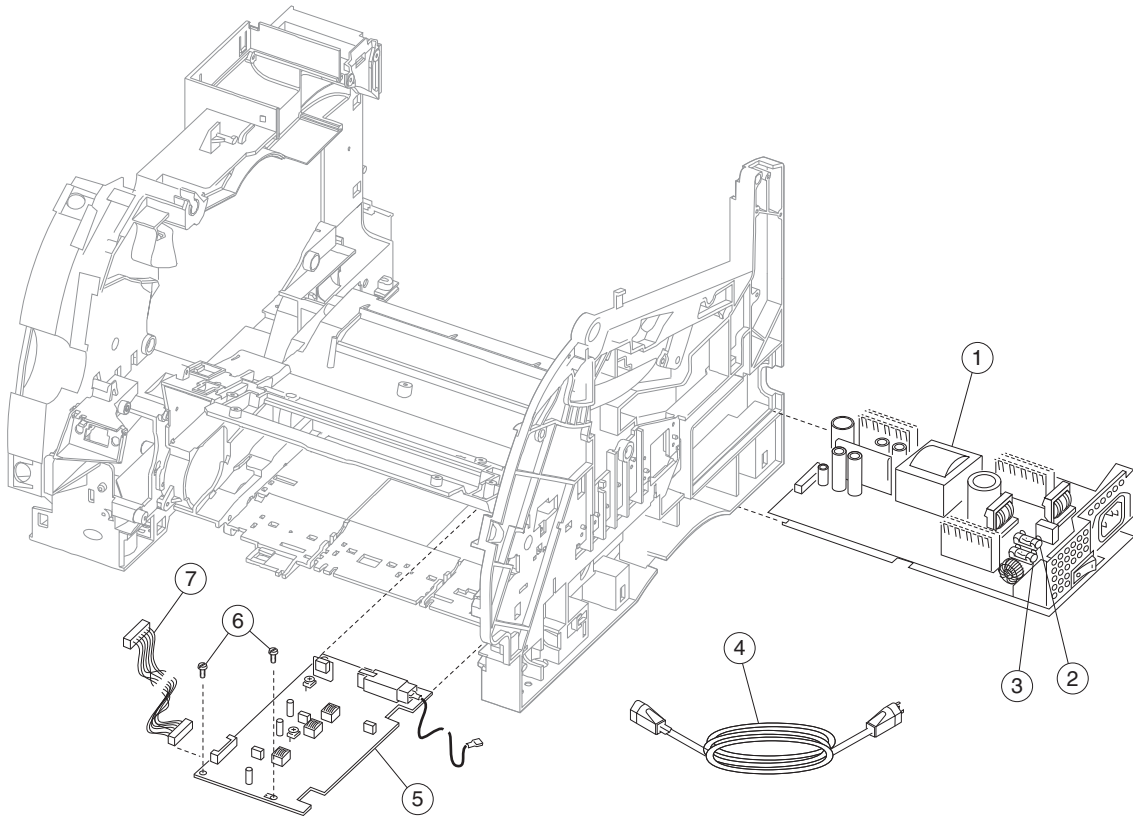
Assembly 14: Transfer/charging



Assembly 14: Transfer/charging

Asm-index	Part number	Units	Description
14—1	99A0512	1	Parts kit, charge roll link asm, left side
2	99A1017	1	Roll assembly, charge
3	99A1555	1	Bushing, charge roll
4	99A0513	1	Parts kit, charge roll link asm, right side
5	56P1357	1	Transfer roll assembly
6	99A0349	1	Arm, transfer roll assembly right
7	99A0184	1	Spring, transfer roll right
8	99A0185	1	Shaft, transfer pivot
9	99A0181	1	Spring, transfer roll left
10	99A1578	1	Arm, transfer roll left
NS	99A0263	1	Parts packet, screw (charge roll)
NS	99A0267	1	Parts packet, retainer (pivot shaft)

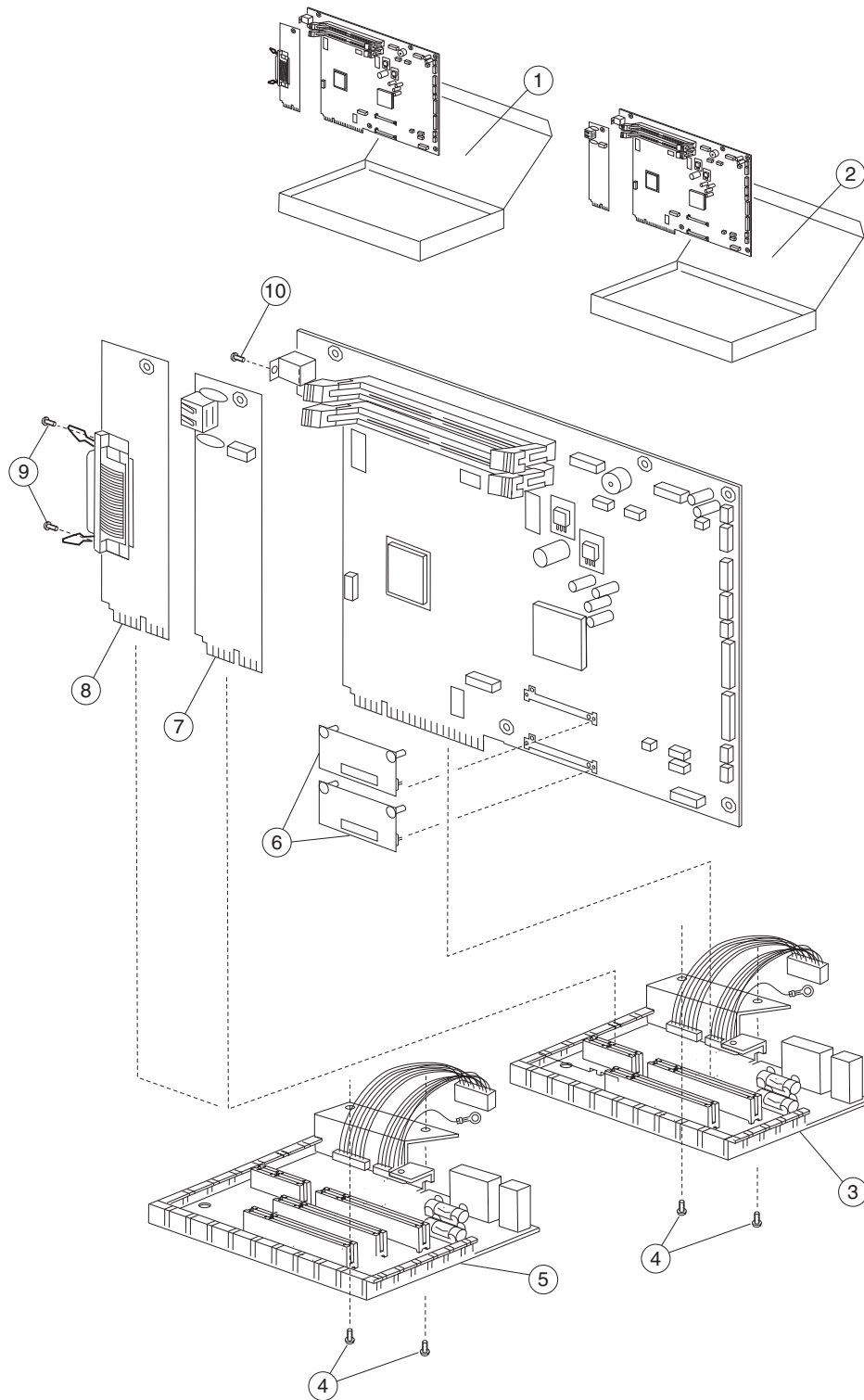
Assembly 15: Electronics—power supplies



Assembly 15: Electronics—power supplies

Asm-index	Part number	Units	Description
15—1	56P1369	1	LVPS, 110 V ac, 000/010
1	56P1371	1	LVPS, 110 V ac, 200/210/400/410
1	56P1372	1	LVPS, 220 V ac, 000/010
1	56P1374	1	LVPS, 220 V ac, 200/210/400/410
2	56P1365	1	Fuse, for 110 V ac LVPS 5 a/250V (fuse F1), 000/010
2	56P1367	1	Fuse, for 220 V ac LVPS 3.15 a/250V (fuse F1), 200/210/400/410
3	56P1366	1	Fuse, for 110 V ac LVPS 10 a/250V (fuse F2), 200/210/400/410
3	56P1364	1	Fuse, for 220 V ac LVPS 6.3 a/250V (fuse F2), 000/010
4	43H5248	1	Power cord set,—USA, Canada, Columbia, Costa Rica, Dominican Republic, El Salvador, Ecuador, Guatemala, Honduras, Mexico, Nicaragua, Panama, Puerto Rico, Saudi Arabia, Taiwan (LV), Venezuela, Virgin Islands
4	1342514	1	Power cord set, 8 ft.—Bolivia (HV), Peru (HV)
4	1339538	1	Power cord set —Austria, Belgium, BlueMark, Catalan, CIS, Czechoslovakia, Finland, France, Germany, Greece, Hungary, Italy, Netherlands, Norway, Poland, Portugal, Russia, Slovak countries, Spain, Sweden, Turkey
4	1339537	1	Power cord set—Ireland, U.K.
4	1339539	1	Power cord set—Israel
4	1339552	1	Power cord set—Japan
4	1339540	1	Power cord set—Switzerland
4	1339541	1	Power cord set—Botswana, Lesotho, Namibia, Pakistan, South Africa
4	1342534	1	Power cord set, 8 ft.—Chile, Uruguay
4	1339543	1	Power cord set—Denmark
4	1339545	1	Power cord set, 8 ft., right angle—Argentina (HV)
4	1342530	1	Power cord set—Paraguay (HV)
4	43H5546	1	Power cord set—PRC (HV)
4	40X4596	1	Power cord set—Brazil
5	56P1375	1	Power supply, high voltage
6	99A0263	1	Parts packet, screw(s): <ul style="list-style-type: none"> • System board mtg (2) • System board mtg Front (2) • System mtg ground (1) • HVPS mtg (2) • INA cover mtg (12) • Interconnect board mtg (2) • Interconnect board shield ground (1) • Interconnect shield mtg (5) • Outer shield mtg (10) • Parallel connector mtg (2)
7	56P1385	1	Cable, front harness (HVPS/input sensor/toner sensor)

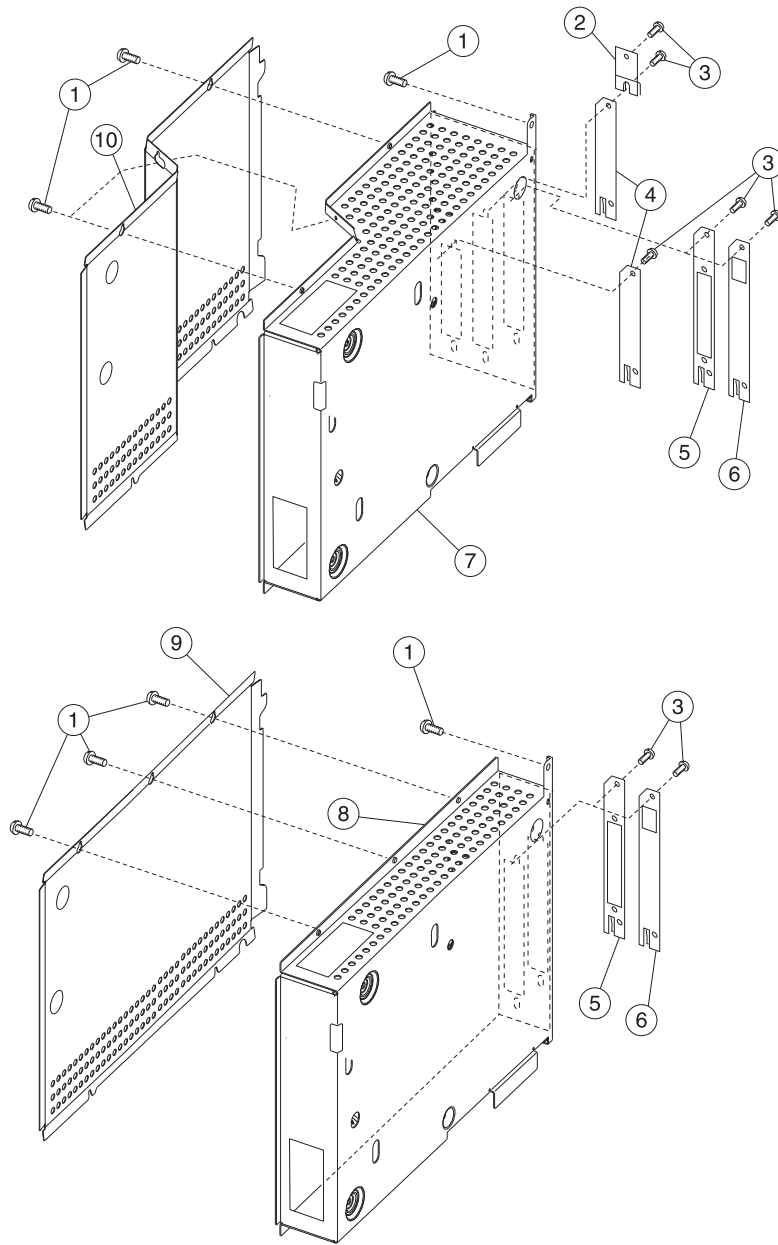
Assembly 16: Electronics—card assemblies



Assembly 16: Electronics—card assemblies

Asm-index	Part number	Units	Description
16—1	56P2410	1	System board assembly (non-network), 000 includes 56P1444
1	56P2412	1	System board assembly (non-network), 200 includes 56P1444
1	56P2414	1	System board assembly (non-network), 400 includes 45P1444
2	56P2411	1	System board assembly (network), 010 includes 56P1445
2	56P2413	1	System board assembly (network), 210 includes 56P1445
2	56P2415	1	System board assembly (network), 410 includes 45P1445
3	56P1340	1	Interconnect board assembly 1 slot, 000/010
4		2	Screws, PP 99A0263
5	56P1339	1	Interconnect board assembly 2 slot, 200/210/400/410
6	56P1850	1	Card assembly, Bar code
6	56P2468	1	Card assembly, IPDS and SC5/TNe
6	56P2182	1	Card assembly, ImageQuick
6	56P1851	1	Card assembly, PrintCryption
7	56P1445	1	Card assembly, communications, network
8	56P1444	1	Card assembly, communications, non-network
9	99A0426	2	Screws, parallel connector mounting
10	99A0263	1	Screw, USB attaching

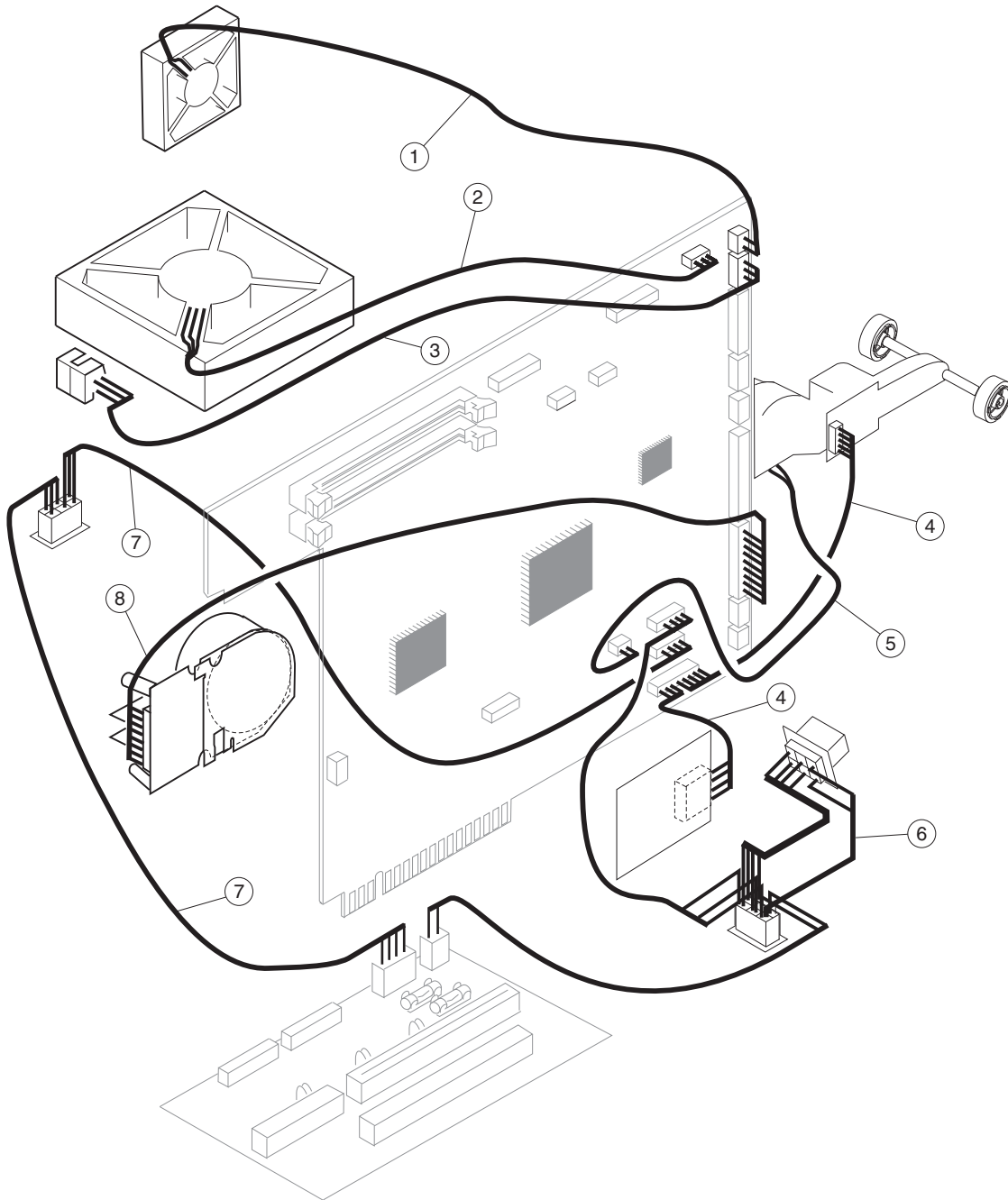
Assembly 17: Electronics—shields



Assembly 17: Electronics—shields

Asm-index	Part number	Units	Description
17—1	99A0263	1	Parts packet, screw (INA cover mounting)
2	99A1611	1	Shield, Ethernet (blank)
3	99A0263	6	Parts packet, screw (outer shield mounting)
3	99A0263	1	Parts packet, screw (inner shield mounting)
4	56P1341	1	Cover, INA flat (blank)
5	56P2404	1	Shield, INA flat non-network
6	56P2405	1	Shield, INA flat network
7	56P1342	1	Shield, inner assembly, 2 slot, 200/210/400/410
8	56P1343	1	Shield, inner assembly, 1 slot. 000/010
9	56P1345	1	Shield, outer 1 slot, 000/010
10	56P1344	1	Shield, outer 2 slot, 200/210/400/410

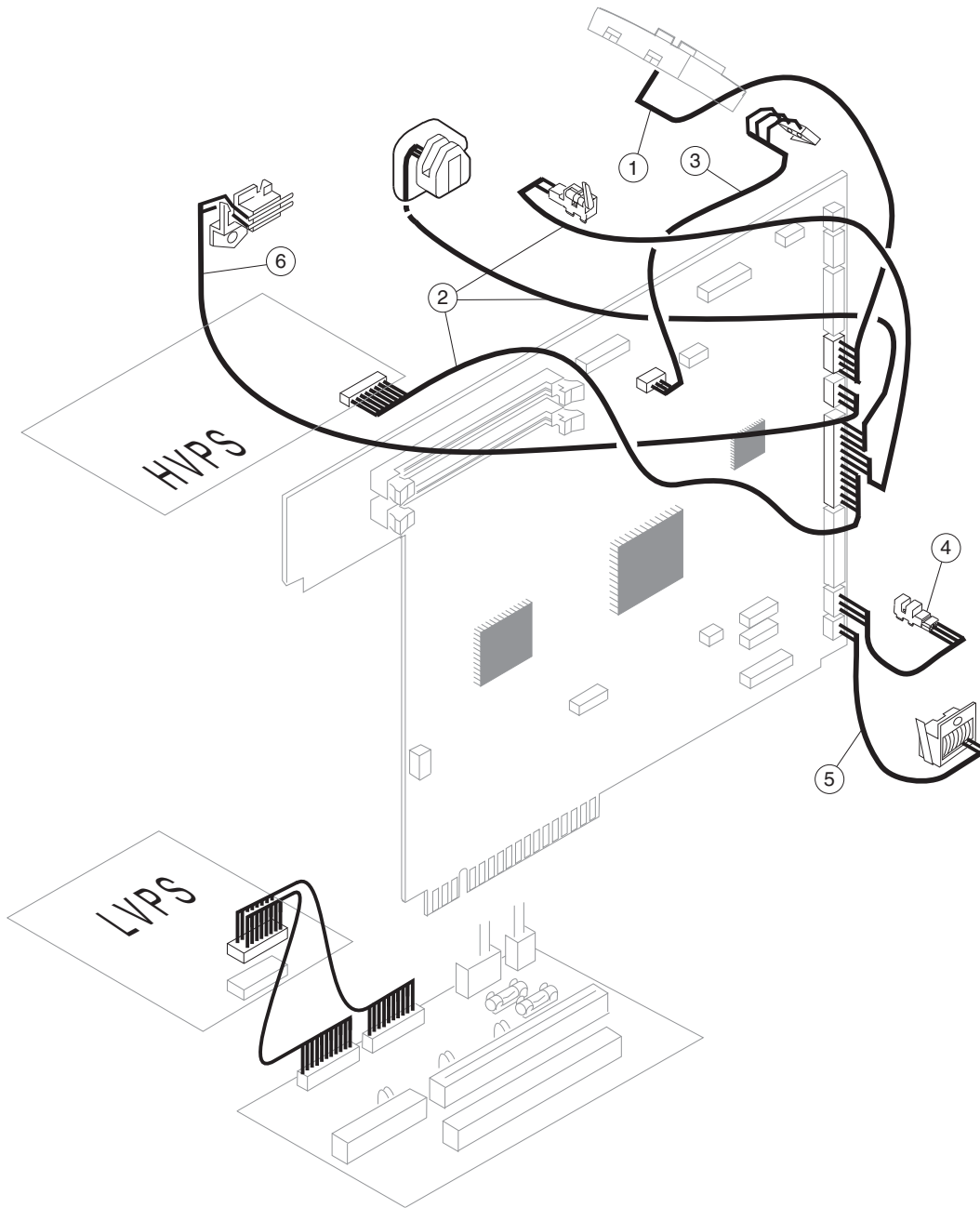
Assembly 18: Cabling diagrams 1



Assembly 18: Cabling diagrams 1

Asm-index	Part number	Units	Description
18—1	56P1408	1	Cartridge fan
2	56P1360	1	Fan, main w/cable
3	56P1391	1	Sensor, standard bin level with cable
4	56P1382	1	Int. card/autocomp card cable (paper low/out sensors)
5	56P1326	1	Pick arm assembly (250-sheet) 000/010
5	56P1325	1	Pick arm assembly (500-sheet) 200/210/400/410
6	56P1383	1	Cable, autoconnect bottom
7	56P1400	1	Cable, autoconnect top, 000/010
7	56P1401	1	Cable, autoconnect top, 200/210/400/410
8	56P1384	1	Cable, main drive motor

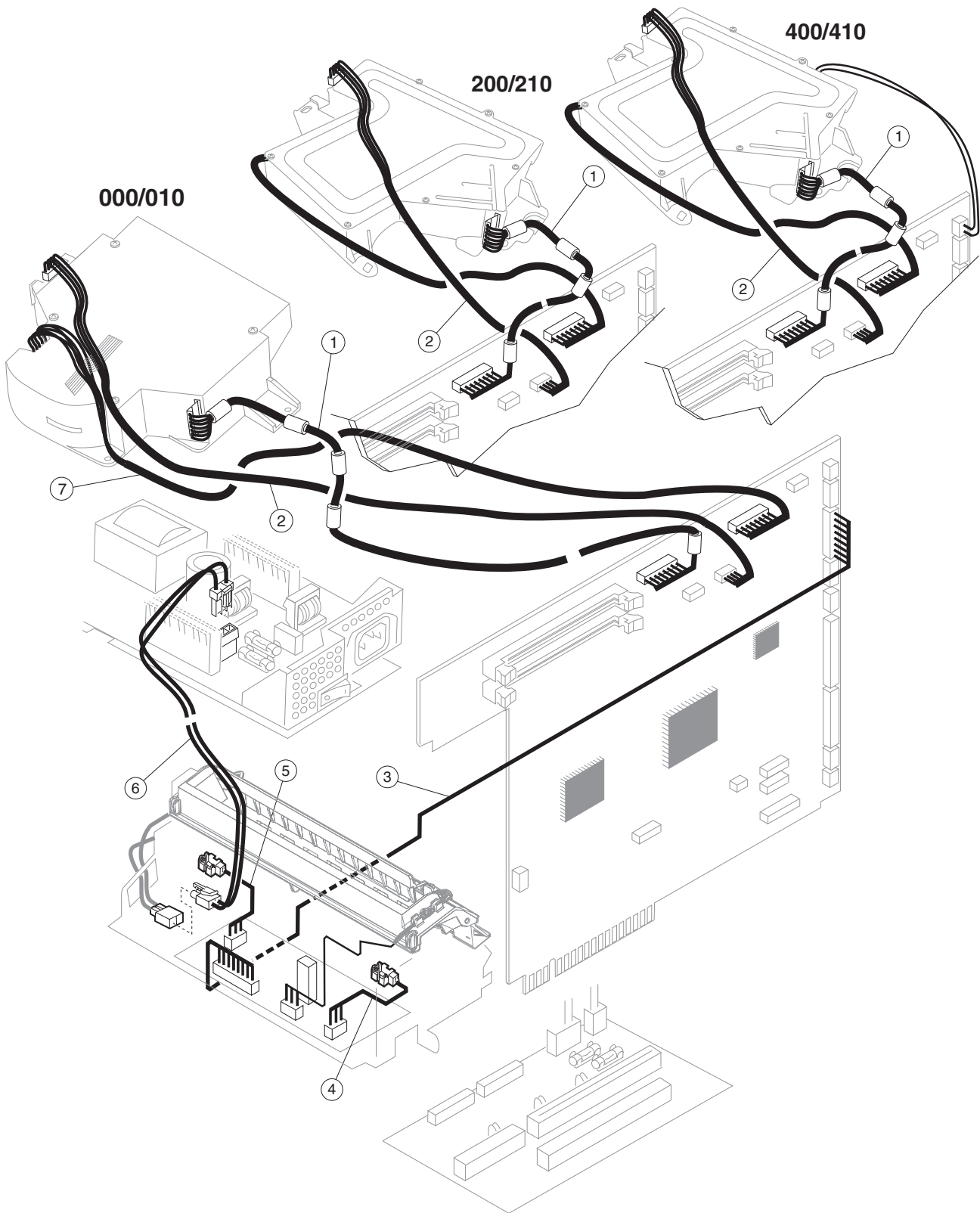
Assembly 19: Cabling diagrams 2



Assembly 19: Cabling diagrams 2

Asm-index	Part number	Units	Description
19—1	56P1394	1	Cable assembly, operator panel
2	56P1385	1	Cable, front harness (HVPS/input sensor/toner sensor)
3	56P1395	1	Switch, cover closed w/cable
4	56P1398	1	Sensor, MPF cable
5	56P2407	1	MPF solenoid w/cable
6	56P1399	1	Smart contact assembly w/cable
NS	56P1389	1	Cable, deflector

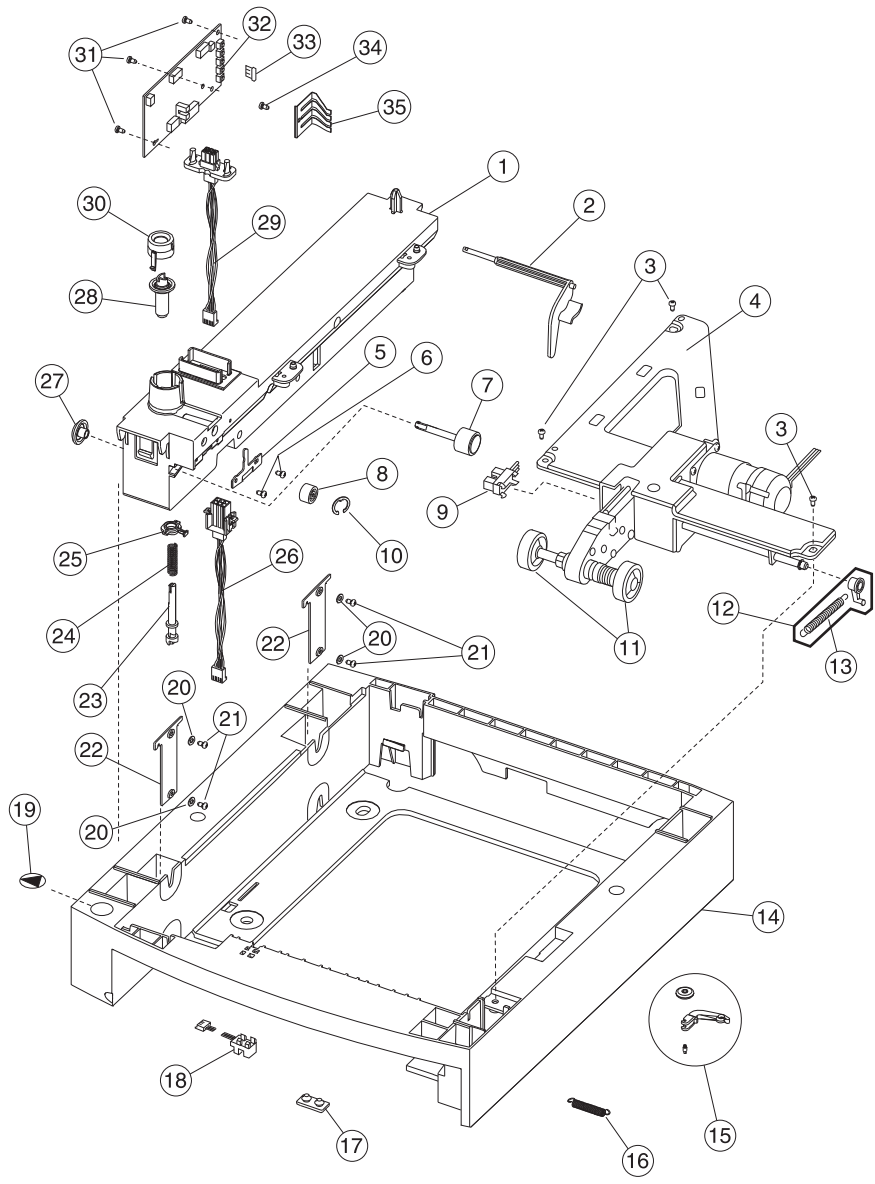
Assembly 20: Cabling diagrams 3



Assembly 20: Cabling diagrams 3

Asm-index	Part number	Units	Description
20—1	56P1386	1	Cable, laser
2	56P1387	1	Cable, HSYNC
3	56P1390	1	Cable, system board to fuser board
4	56P1403	1	Exit sensor
5	56P1402	1	Narrow media sensor
6	56P1405	1	Cable, AC fuser lamp to LVPS
7	56P1388	1	Cable, mirror motor, 000/010

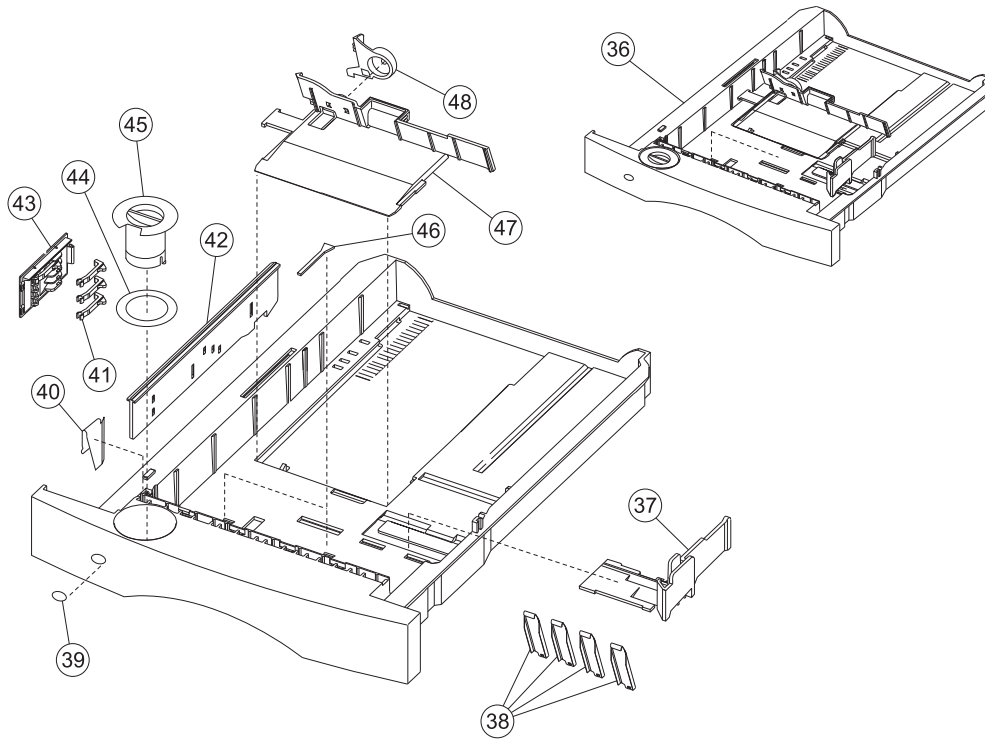
Assembly 21: 250-sheet paper tray



Assembly 21: 250-sheet paper tray

Asm-index	Part number	Units	Description
21—1	99A0445	1	Stud assembly, 250-sheet frame
2	99A0448	1	Arm, paper out 250-sheet
3	99A0263	3	Parts packet, screw (auto comp mounting)
4	99A1054	1	Pick arm assembly
5	99A0277	1	Wear plate, pass thru
6	99A0263	2	Parts packet, screw (wear plate mounting)
7	99A0276	1	500 Drive roll assembly
8	99A0451	1	Roll, skewed backup
9	99A0350	1	Sensor, paper low
10	99A0450	1	Retainer, roller
11	40X4308	2	Pick roll assembly
12	56P1337	1	Parts packet, bellcrank and spring
13	99A1929	1	Spring, bellcrank 250-sheet tray option
14	99A1638	1	Base, 250-sheet option
15	99A0026	1	Tray bias arm assembly
16	99A0419	1	Spring, tray bias
17	99A0058	4	Pad, machine mounting
18	99A0288	1	Sensor, option pass thru
19	99A1666	1	Label, tray options
20	99A0677	4	Parts packet, washer
21	99A0263	4	Parts packet, screw
22	99A0679	2	Bracket, 250-sheet frame retention
23	99A0272	1	Shaft, 250-sheet drive
24	99A0275	1	Spring, power takeoff
25	99A0280	1	Bushing, drive shaft low
26	99A0282	1	Cable, 250-sheet autoconnect
27	99A0274	1	Gear, feed roll
28	99A0273	1	Gear, bevel
29	99A0281	1	Cable, 250-sheet autoconnect
30	99A0279	1	Bearing, drive shaft
31	99A0263	3	Parts packet, screw (option board)
32	40X3351	1	Board, option tray
33	99A0627	1	Jumper, pin
34	99A0263	1	Parts packet, screw (switch spring)
35	99A0063	1	Spring, switch activate

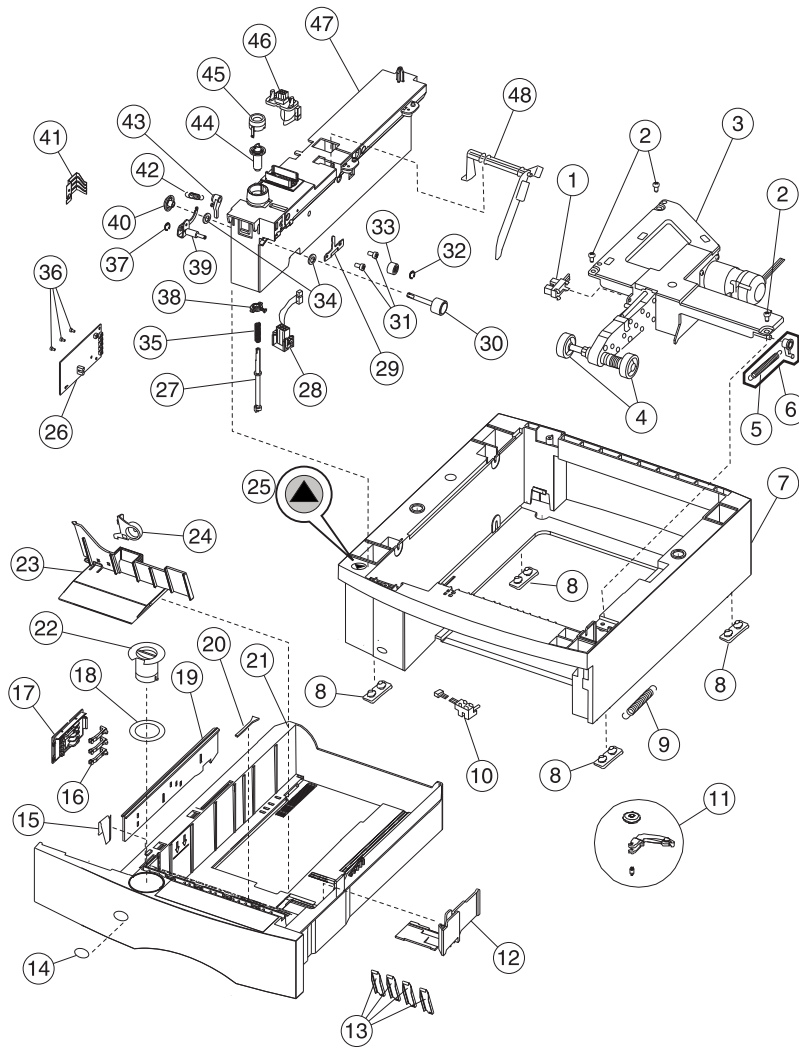
Assembly 21 (cont.): 250-sheet paper tray



Assembly 21 (cont.): 250-sheet paper tray

Asm-index	Part number	Units	Description
21—36	99A1536	1	Tray assembly, 250-sheet option
37	99A0892	1	Restraint, side 250-sheet tray
38	99A0119	4	Wear strips
39	99A1829	1	Label, tray option number
40	99A0121	1	Clip, 250-sheet tray wear
41	99A0126	3	Finger, autosize
42	99A0127	1	Slider, autosize 250-sheet
43	99A0124	1	Plate, snap-in
44	99A1952	1	Label, paper size
45	99A1537	1	Knob, paper size
46	99A0120	2	Restraint pad
47	99A0893	1	Restraint, back 250-sheet tray
48	99A1601	1	Latch, back restraint
NS	99A0286	1	Spring, backup roller
NS	99A0438	2	Bushing, drive roll
NS	99A0278	1	Bellcrank, roller release

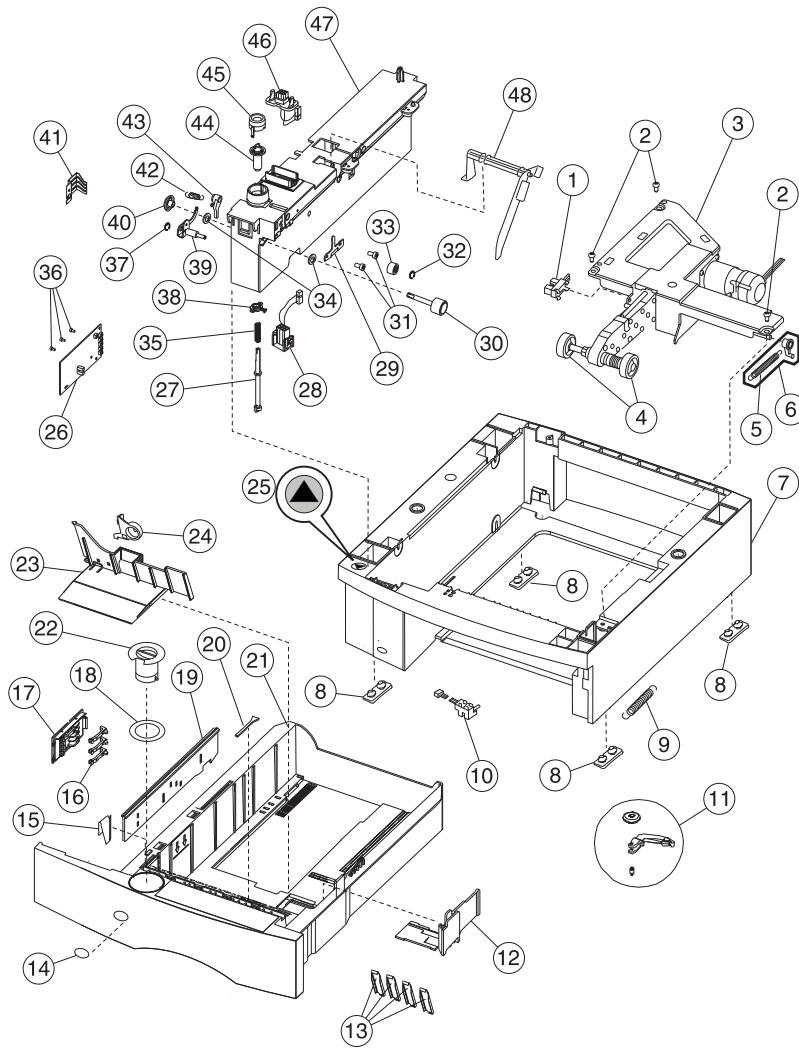
Assembly 22: 500-sheet paper tray



Assembly 22: 500-sheet paper tray

Asm-index	Part number	Units	Description
22—1	99A0350	1	Sensor, paper low
2	99A0263	3	Parts packet, screw (auto comp mounting)
3	99A0405	1	Pick arm assembly
4	40X4308	2	Pick roll assembly
5	56P2540	1	Spring, bellcrank 500-sheet option tray
6	56P1337	1	Parts packet, bellcrank and spring
7	99A1636	1	Base, 500-sheet tray
8	99A0058	4	Pad, base 500-sheet
9	99A0419	1	Spring, tray bias
10	99A0288	1	Sensor, option pass thru
11	99A0026	1	Tray bias arm assembly
12	99A1895	1	Restraint, side 500-sheet tray
13	99A0292	4	Wear strips
14	99A1829	1	Label, tray option number
15	99A1583	1	Plate, 500-sheet tray wear
16	99A0126	3	Finger, autosize
17	99A0124	1	Plate, snap-in
18	99A1952	1	Label, paper size
19	99A1582	1	Slider, autosize 500-sheet
20	99A0120	2	Restraint pad
21	99A1576	1	Tray assembly, 500-sheet
22	99A1537	1	Knob, paper size
23	99A1602	1	Restraint, back 500-sheet tray
24	99A1601	1	Latch, back restraint
25	99A1666	1	Label, options
26	40X3351	1	Board, option tray
27	99A0447	1	Shaft, 500-sheet drive
28	99A0282	1	Cable, 250 autoconnect
29	99A1750	1	Wear plate, pass thru
30	99A0276	1	500 Drive roll assembly
31	99A0263	2	Parts packet, screw (wear plate mounting)
32	99A0450	1	Retainer, roller
33	99A0451	1	Roller, skewed backup
34	99A0438	2	Bushing, drive roll
35	99A0275	1	Spring, power takeoff
36	99A0263	3	Parts packet, screw (board mounting)
37	99A0267	1	Parts packet, retainer (aligner assembly)
38	99A0280	1	Bearing, drive shaft low
39	99A0446	1	Aligner assembly, paper
40	99A0274	1	Gear, feed roll
41	99A0063	1	Spring, switch activate

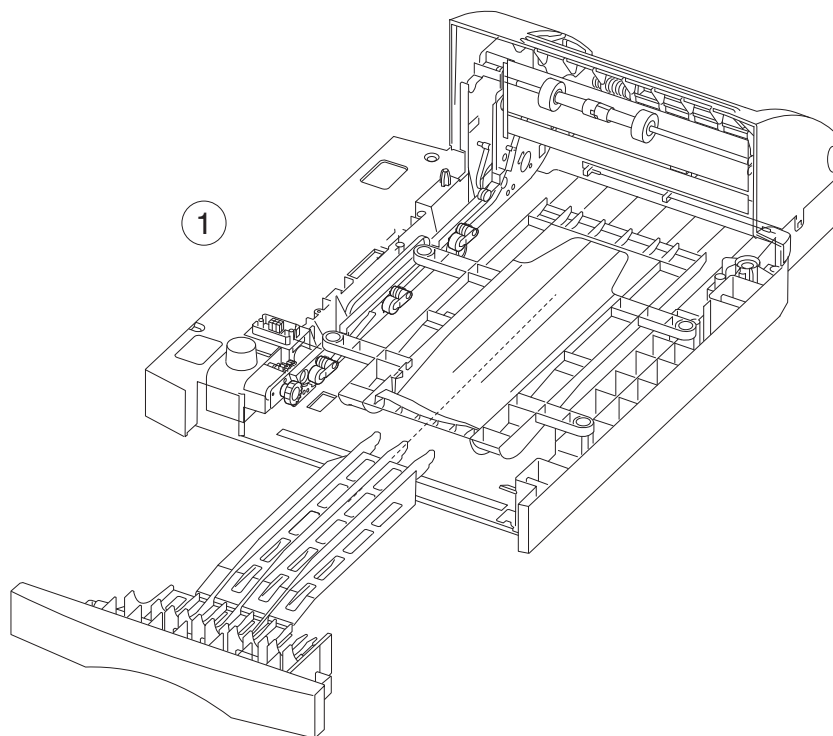
Assembly 22 (cont.): 500-sheet paper tray



Assembly 22 (cont.): 500-sheet paper tray

Asm-index	Part number	Units	Description
22—42	99A0286	1	Spring, backup roller
43	99A1664	1	Bellcrank, roller release
44	99A0273	1	Gear, bevel
45	99A0279	1	Bearing, drive shaft
46	99A0281	1	Cable, 250-sheet autoconnect
47	99A1702	1	Stud assembly, 500 frame
48	99A1645	1	Arm, paper out 500
NS	99A0452	4	Washer, frame mounting
NS	99A1665	1	Deflector, base 500
NS	99A1667	2	Bracket, 500-sheet tray retention

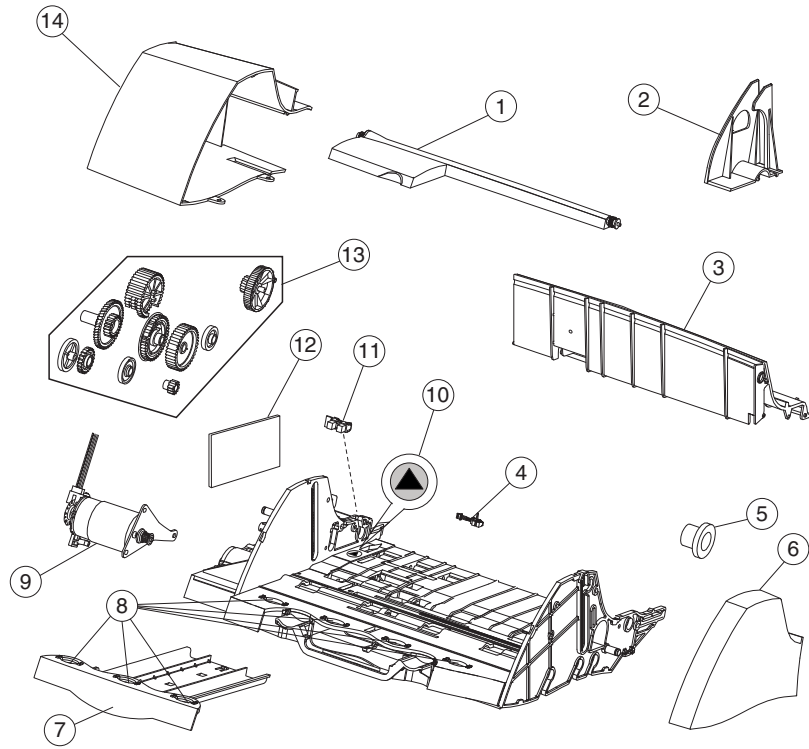
Assembly 23: Duplex option



Assembly 23: Duplex option

Asm-index	Part number	Units	Description
23—1	56P1414	1	250 duplex option, complete
1	56P1416	1	500 duplex option, complete

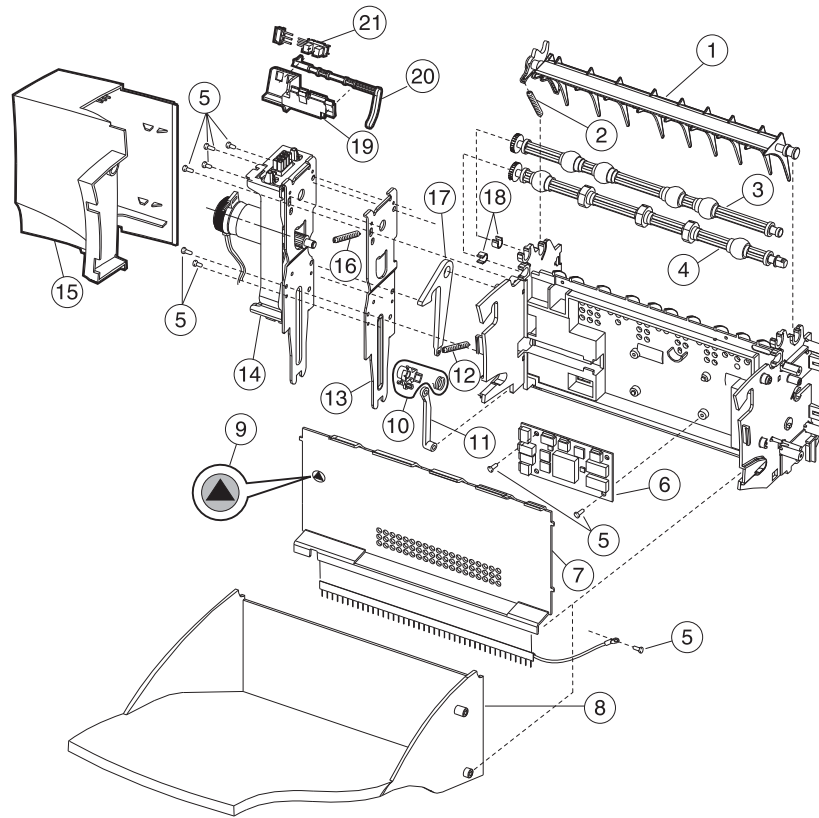
Assembly 24: Envelope feeder



Assembly 24: Envelope feeder

Asm-index	Part number	Units	Description
24—1	99A0389	1	Paper weight assembly
2	99A1694	1	Guide, edge
3	99A1696	1	Cover, top
4	99A0485	1	Sensor, envelope pass thru
5	99A0393	1	Clutch, restraint/gear
6	99A1697	1	Cover, right side
7	99A0390	1	Support, slide out
8	99A0488	7	Roller, support
9	99A0382	1	Motor, stepper DC
10	99A1666	1	Label, options
11	99A0388	1	Switch, envelope out
12	99A1700	1	Board assembly, electronic control
13	99A0271	1	Parts packet, gear kit
14	99A1698	1	Cover, left side
NS	99A0404	1	Parts packet, retainer (4 mm PP)
NS	99A0404	3	Parts packet, retainer (clip 5 mm shaft)
NS	99A0404	2	Parts packet, retainer (6 mm)
NS	99A0404	3	Parts packet, retainer (7 mm shaft)
NS	99A0384	1	Shaft, drive pressure roller
NS	99A0385	1	Cable, auto connect front
NS	99A0494	1	Spring, cam clutch
NS	99A0427	1	Label, envelope orientation icon
NS	99A0469	1	Deflector guide
NS	99A1699	1	Guard, pass thru sensor
NS	99A0413	6	Screw, top/motor/board
NS	99A0484	1	Belt, gear drive
NS	99A0491	1	Bracket, stack limiter
NS	99A0400	1	Spring, restraint roll shaft
NS	99A0489	1	Spring, latch return
NS	99A0487	1	Flag, envelope out sensor

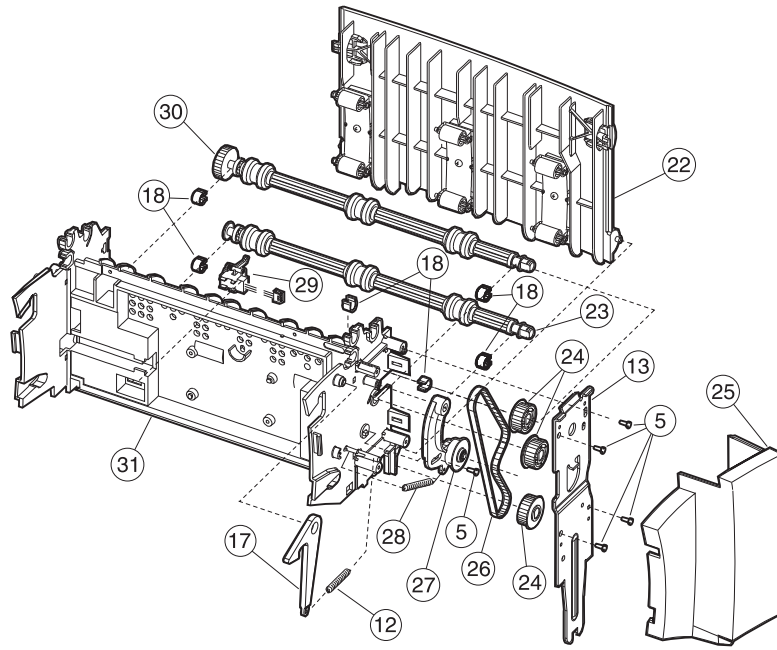
Assembly 25: Output expander



Assembly 25: Output expander

Asm-Index	Part Number	Units	Description
25—1	99A1857	1	Deflector, upper redrive, also order 99A0104
2	99A0104	1	Spring, upper diverter
3	99A0369	1	Shaft assembly, exit, also order PP 99A0572
4	99A0052	1	Shaft assembly, lower exit, also order PP 99A0572
5		11	Screw, PP 99A0263
6	99A0915	1	Board, output expander DC motor
7	99A0571	1	Cover, front control board with ESD brush
8	99A1817	1	Tray, output expander
9	99A1666	1	Label, options
10	99A1689	1	Spring clutch assembly
11	99A1688	1	Diverter arm
12	99A0482	1	Spring, output tray
13	99A1784	2	Bracket, attach
14	99A0914	1	Output expander assembly, mechanical linkage
15	99A0372	1	Cover, left side
16	99A0415	2	Spring, swing arm
17	99A0481	1	Latch, output tray
18		2	Shaft bearing PP 99A0572
19	99A0409	1	Level sensor bracket
20	99A1580	1	Flag, output paper level
21	99A0414	1	Sensor, dual bin full

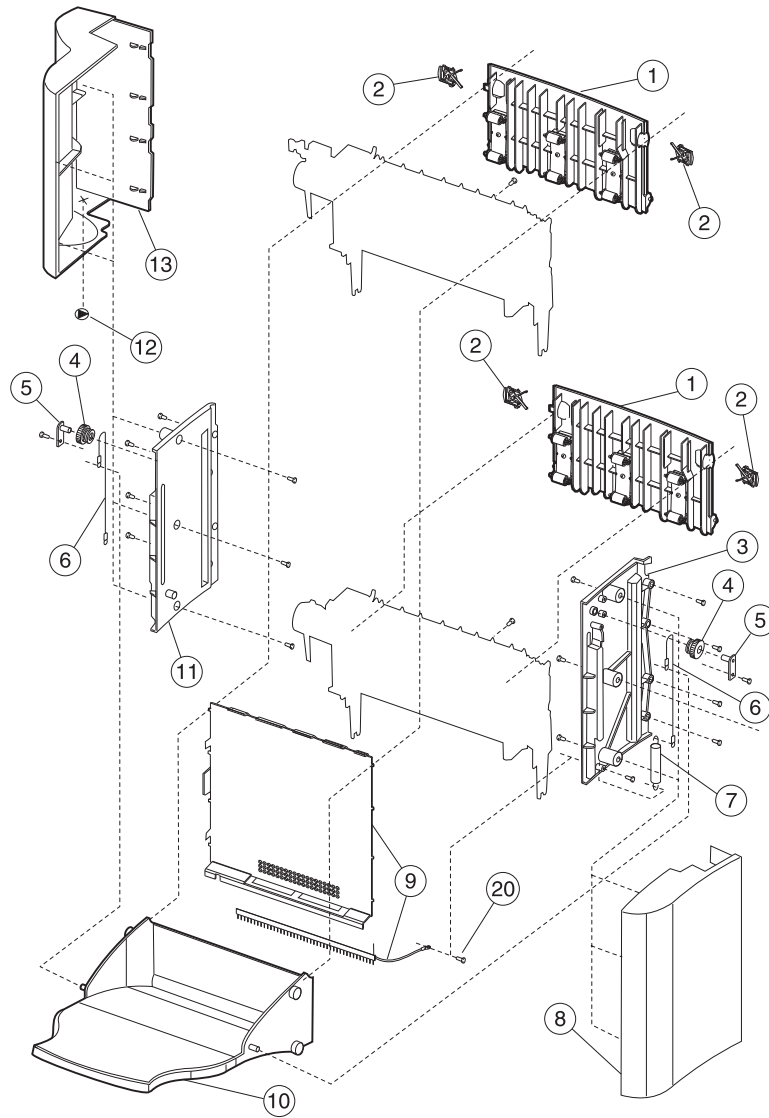
Assembly 25 (cont.): Output expander



Assembly 25 (cont.): Output expander

Asm-Index	Part Number	Units	Description
25—22	99A1748	1	Door assembly, rear access
23	99A0368	1	Shaft assembly, lower, also order PP 99A0572
24	99A0363	3	Pulley, drive
25	99A0371	1	Cover, right side
26	99A0361	1	Belt, 160 gear
27	99A0362	1	Arm assembly, belt idler
28	99A0364	1	Spring, belt tensioner
29	99A0351	1	Sensor, output expander pass thru
30	99A0913	1	Shaft assembly, middle 40T, also order PP 99A0572
31	99A0912	1	Frame assembly

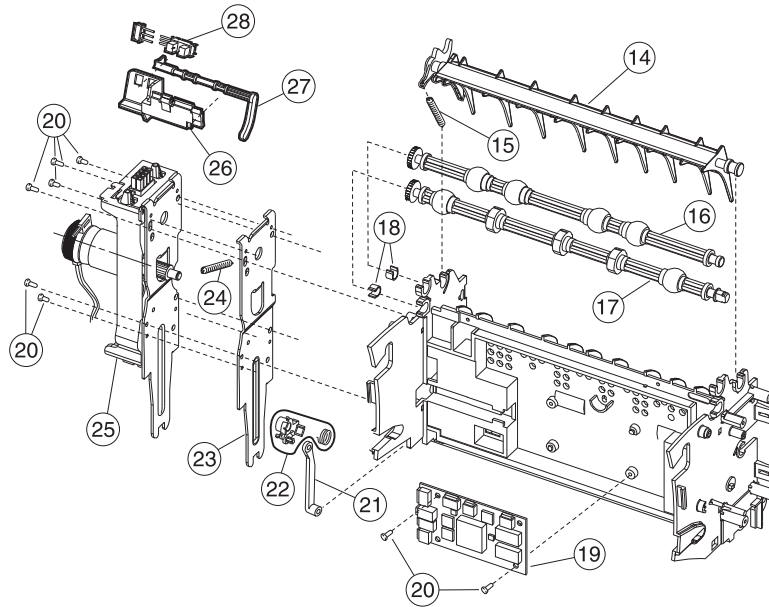
Assembly 26: High-capacity output expander



Assembly 26: High-capacity output expander

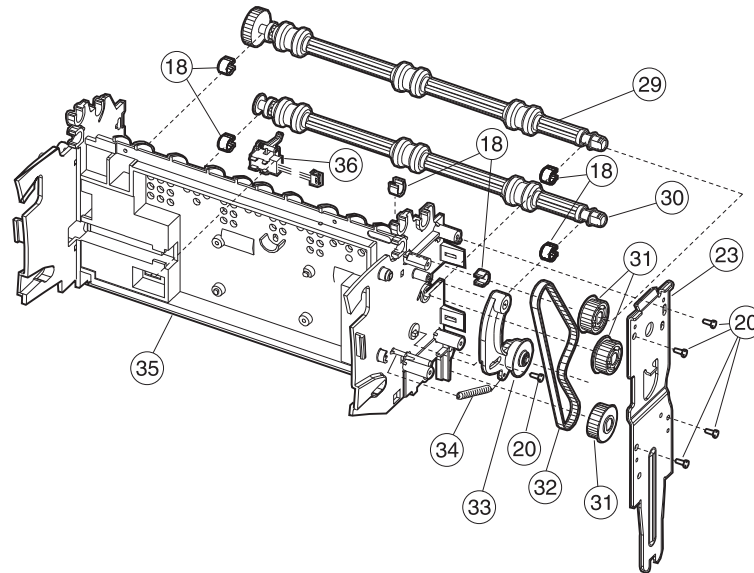
Asm-Index	Part Number	Units	Description
26-1	99A1748	2	Door asm, rear access
2	99A1785	4	Latch, rear door
3	99A1783	1	Frame, right
4	99A1778	2	Pulley, output tray
5	99A1782	2	Shaft, pulley
6	99A1790	2	Guide, output tray
7	99A1779	2	Spring, output tray
8	99A1746	1	Cover, right
9	99A1747	1	Cover, front
10	99A1701	1	Tray asm, output
11	99A1781	1	Frame, left
12	99A1666	1	Label, options
13	99A1745	1	Cover, left
NS	99A1751	1	Switch asm, tray sensing
NS	99A1777	1	Flag, tray sensing switch
NS	99A1780	2	Gear, damping
NS	99A1744	2	Kit, high-capacity output stacker

Assembly 26 (cont.): High-capacity output expander



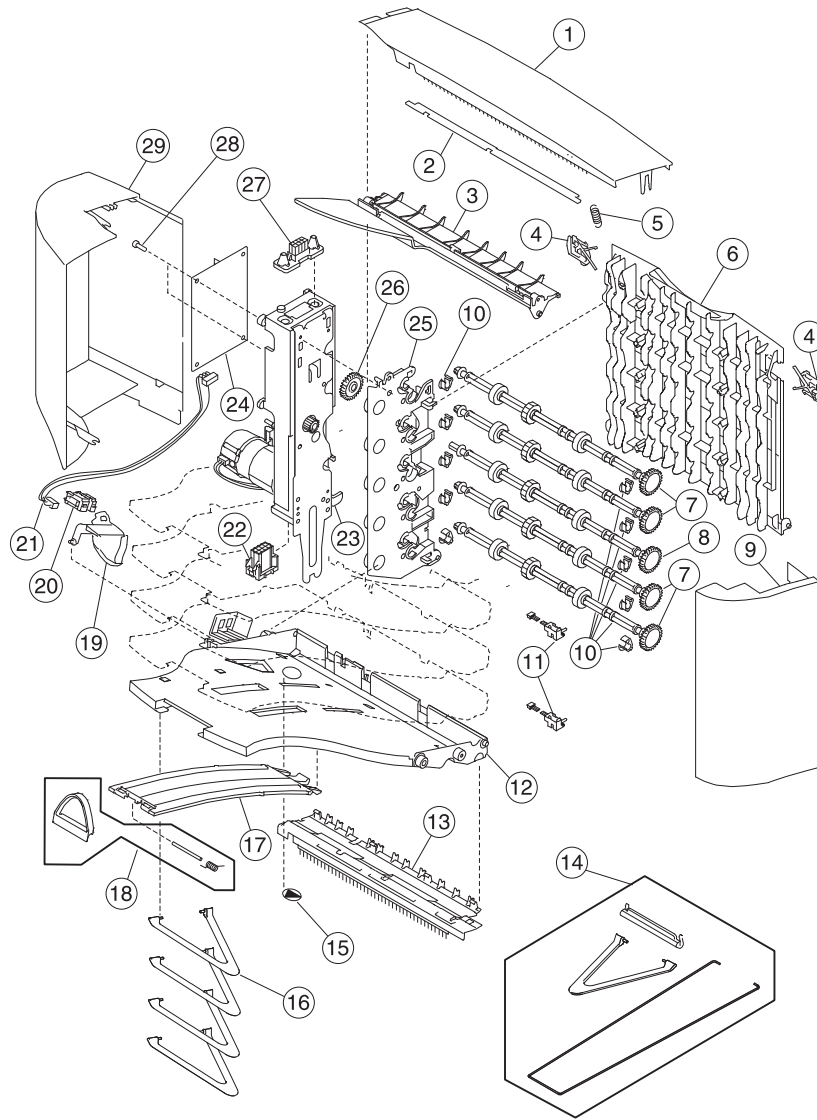
Asm-Index	Part Number	Units	Description
26-14	99A0107	2	Deflector, upper, also order 99A0104
15	99A0104	2	Spring, upper diverter
16	99A0369	1	Shaft asm, exit upper stacker asm
17	99A0052	1	Shaft asm, stacker lower exit upper stacker asm
18		12	Bearings, shaft PP 99A0572
19	99A1749	2	Board asm, high-capacity output stacker
20		31	Screws, PP 99A0263
21	99A1688	1	Arm, diverter
22	99A1689	1	Clutch asm, output stacker
23	99A1784	2	Bracket, attach
24	99A0415	2	Spring, swing arm
25	99A0914	2	Drive asm, output stacker DC motor
26	99A0409	1	Bracket, dual sensor mounting upper stacker asm
27	99A1613	1	Flag, bin full dual sensor upper stacker asm
28	99A0414	1	Sensor asm, bin full dual upper stacker asm
NS	99A1690	1	Belt, 95G lower stacker asm

Assembly 26 (cont.): High-capacity output expander



Asm-Index	Part Number	Units	Description
26-29	99A0913	2	Shaft, 40T middle output stacker
30	99A0368	2	Shaft asm lower
31	99A0363	6	Pulley, drive
32	99A0361	1	Belt, 160G upper stacker asm
33	99A0362	1	Arm asm, belt idler
34	99A0364	2	Spring, belt tensioner
35	99A1791	1	Stacker asm, paper path lower
35	99A1792	1	Stacker, asm paper path upper
36	99A0351	2	Sensor, stacker pass thru
NS	99A1751	1	Switch asm
NS	99A0462	1	Packet grease, IBM #23
NS	99A0627	1	Jumper, 2 pin (use with 99A1749)

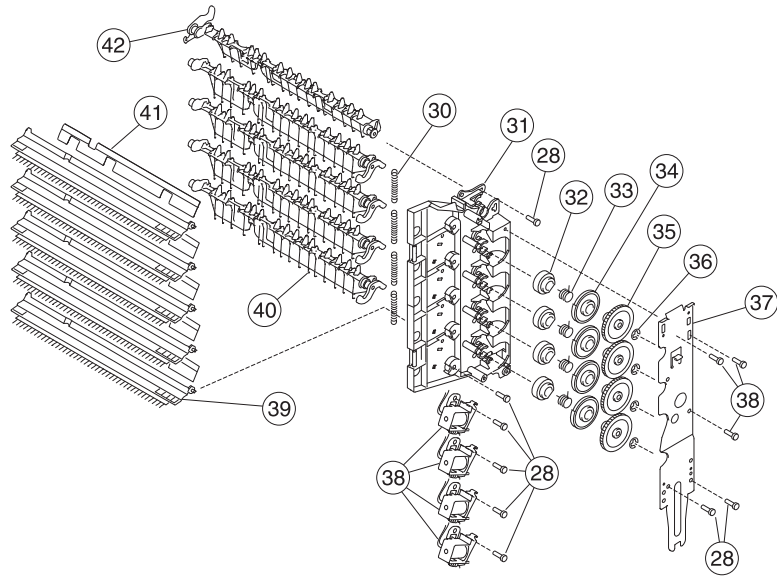
Assembly 27: 5-bin mailbox



Assembly 27: 5-bin mailbox

Asm-Index	Part Number	Units	Description
27-1	99A1512	1	Cover, redrive cap
2	99A1710	1	Cover, wire
3	99A1711	1	Cover, top bin
4	99A1785	2	Latch, rear access door
5	99A0104	1	Spring, upper diverter
6	99A1714	1	Door, rear access
7	99A1723	4	Shaft asm, drive
8	99A1724	1	Shaft asm, drive w/gear
9	99A1708	1	Cover, right side
10	99A1725	1	Packet, drive shaft bushing
11	99A1742	2	Sensor, 5-bin mailbox pass thru
12	99A1712	5	Tray, paper cap
13	99A1739	1	Bracket asm, bail attach w/brush
14	99A1743	1	Kit, 5-bin mailbox asm
15	99A1666	1	Label, options
16		1	Bail, order 99A1743, 5-bin mailbox asm kit
17	99A1713	5	Support, paper tray
18	99A1687	5	Stop asm, paper tray
19	99A1735	5	Flag, bin full
20	99A1737	5	Sensor, dual paper height
21	99A1736	5	Cable, dual sensor
22	99A1718	1	Cable asm, lower auto connect
23	99A1716	1	Drive asm, main DC drive
24	99A1740	1	Board asm, 5-bin mailbox system
25	99A1726	1	Frame asm, left w/clutch asm
26	99A1786	1	Gear, drive
27	99A1719	1	Cable asm, upper auto connect
28		12	Screw, board mounting PP 99A0263
29	99A1709	1	Cover, left side

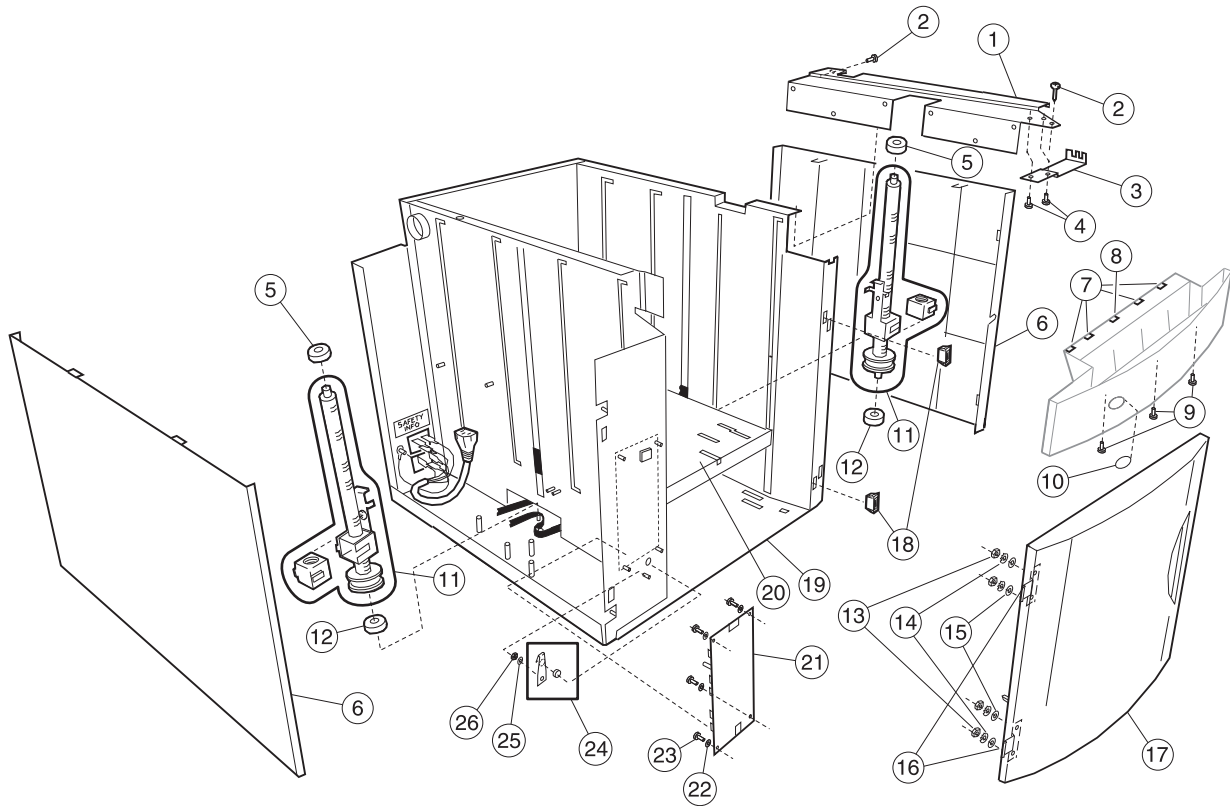
Assembly 27 (cont.): 5-bin mailbox



Assembly 27 (cont.): 5-bin mailbox

Asm-Index	Part Number	Units	Description
27-30	99A1741	4	Spring, diverter
31	99A1727	1	Frame asm, right side
32	99A1728	4	Cam, diverter actuator
33	99A1731	4	Spring, diverter actuator
34	99A1729	4	Latch, diverter actuator
35	99A1730	4	Arbor, diverter actuator
36	99A1789	4	C-clip
37	99A1720	1	Bracket, attach
38	99A1732	4	Solenoid, diverter
39	99A1738	5	Deflector, paper exit w/brush
40	99A1722	4	Deflector, paper
41	99A1787	4	Deflector
42	99A1721	1	Deflector, paper top bin
NS	99A1734	1	Spring, static ground
NS	99A0462	1	Grease packet, IBM #23
NS	99A1715	1	Roller asm, rear access door
NS	99A1717	1	Gear, drive
NS	99A1788	1	Retainer, R-ring

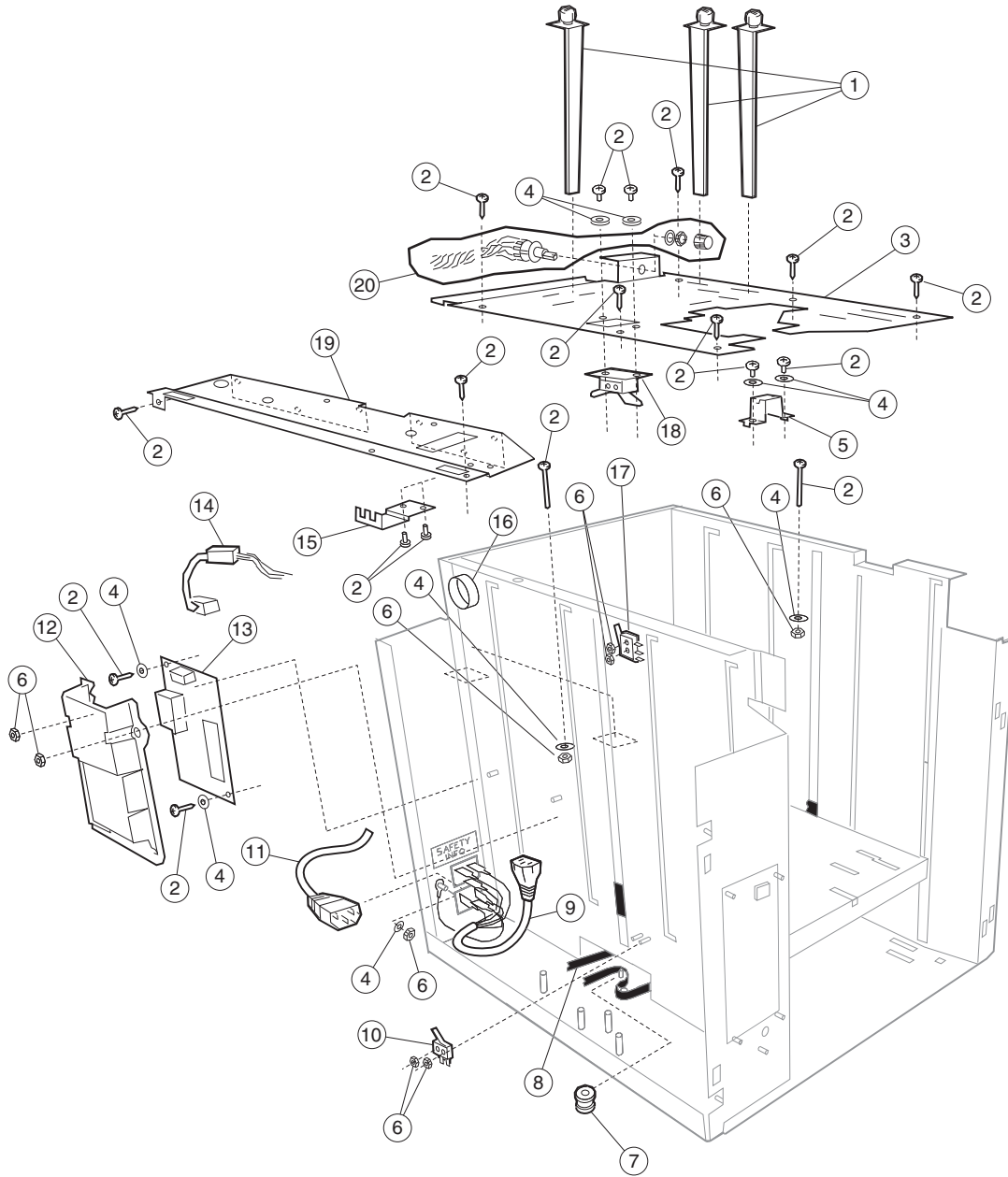
Assembly 28: High-capacity feeder 1



Assembly 28: High-capacity feeder 1

Asm-index	Part number	Units	Description
28—1	99A0660	1	Frame, printer support frame 2
2	99A0675	3	Parts packet, screw (printer support 2 frame mounting)
3	99A0698	2	Clamp, feed frame
4	99A0675	4	Parts packet, screw (feed frame clamp)
5	99A0691	2	Bearing, Nyloner leadscrew top
6	99A0656	1	Cover, left side
7	99A0681	4	Strip, wear
8	99A1818	1	Strip, wear dimple
9	99A0675	3	Parts packet, screw (deflector mt 8-18 x 7/8 inch)
10	99A1829	1	Label, tray option number
11	99A0662	2	Transfer leadscrew assembly
12	99A0716	2	Bearing, leadscrew bottom
13	99A0676	4	Parts packet, nut (6-32 hinge mounting)
14	99A0677	4	Parts packet, washer (hinge mounting flat)
15	99A0677	4	Parts packet, washer (hinge mounting star)
16	99A0657	2	Hinge, door
17	99A0655	1	Door assembly, front
18	99A0658	2	Magnet, door
19	99A0650	1	Frame assembly
20	99A0661	1	Tray assembly, elevator
21	40X3252	1	Card assembly, 2000 option control
22	99A0677	4	Parts packet, washer (card asm. mounting)
23	99A0675	4	Parts packet, screw (card asm. mounting)
24	99A0392	1	Kit, door switch spring and bumper
25	99A0677	1	Parts packet, washer (door switch spring mounting)
26	99A0676	1	Parts packet, nut (door switch spring mounting)
NS	99A0690	1	Cable, optical sensor

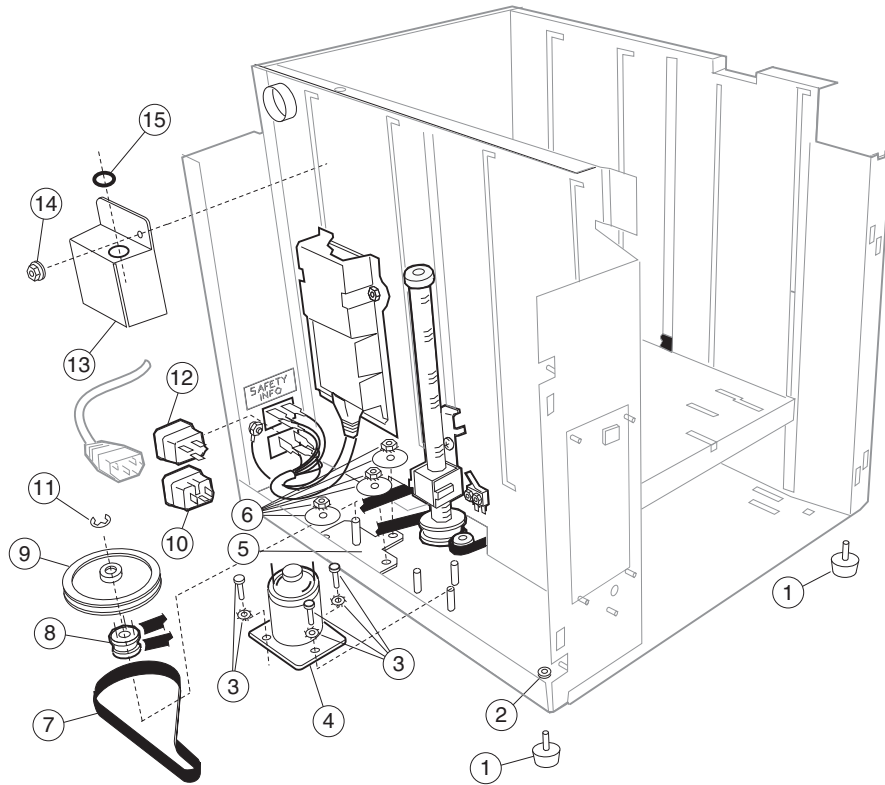
Assembly 29: High-capacity feeder 2



Assembly 29: High-capacity feeder 2

Asm-index	Part number	Units	Description
29—1	99A0188	3	Guide, rear paper, use with 99A0219
2	99A0675		Parts packet, screws (including): <ul style="list-style-type: none"> • Top frame mounting (6) • Base mounting (2) • Power supply board mtg (2) • Sensor bracket mtg (2) • Support 1 frame mtg (2) • Screw (2)
3	99A0219	1	Frame assembly, top with labels
4	99A0677		Parts packet, washers, (including): <ul style="list-style-type: none"> • Top frame clamp (2) • Base mounting (2) • Motor plate mtg (4) • Power supply board (2) • Sensor bracket mtg (2)
5	99A0719	1	Clamp, top frame mounting
6	99A0676		Parts packet, nuts, (including): <ul style="list-style-type: none"> • Base mounting (2) • 2-56 switch mounting (2) • Power supply cover (2) • Power supply ground (2)
7	99A0663	1	Pulley, idler
8	99A0664	1	Belt, drive
9	99A1807	1	Cable, AC internal wiring
10	99A0653	1	Switch, lower limit microswitch
11	99A1808	1	Cord, AC external jumper
12	99A0714	1	Cover, power supply
13	99A0667	1	Power supply board
14	99A0715	1	Cable, low voltage power supply
15	99A0698	2	Clamp, feed frame
16	99A0685	1	Bushing
17	99A0654	1	Switch, paper low
18	99A0651	1	Sensor assembly, paper out/upper limit
19	99A0659	1	Frame, printer support 1
20	99A0695	1	Parts kit, paper size switch assembly

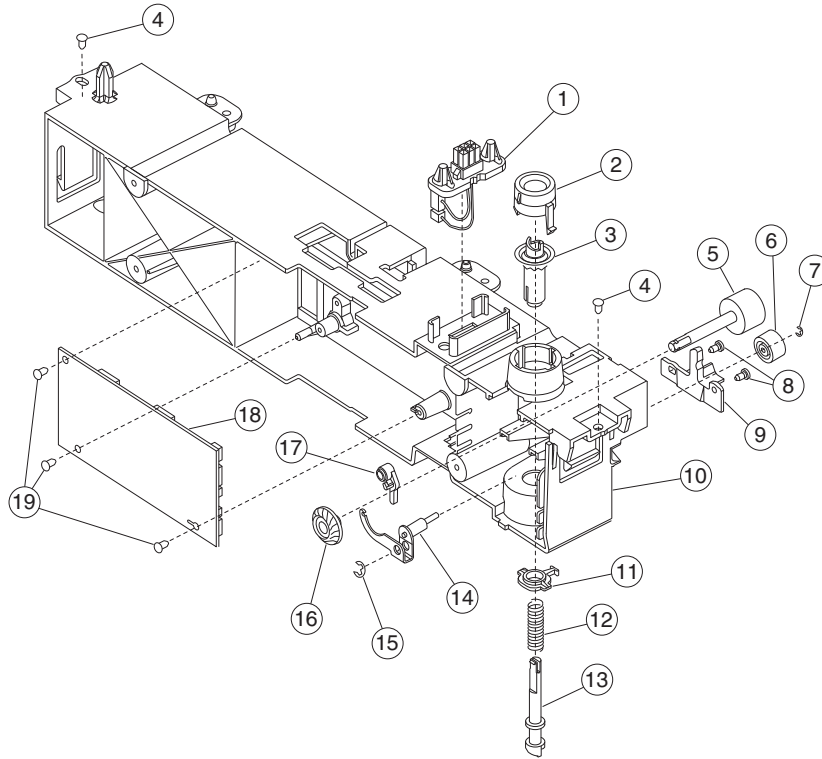
Assembly 30: High-capacity feeder 3



Assembly 30: High-capacity feeder 3

Asm-index	Part number	Units	Description
30—1	99A0687	4	Parts packet, mounting feet
2	99A0672	4	Parts packet, foot (stabilizer)
3	99A1793	3	Parts packet, screw w/washer (motor mt)
4	99A1795	1	Motor assembly, DC
5	99A1798	1	Plate, drive pulley
6	99A1794	3	Parts packet, nut and washer (drive pulley plate)
7	99A1796	1	Belt, DC motor drive
8	99A1797	1	Idler pulley, belt tension
9	99A1800	1	Pulley, drive
10	99A1799	1	AC receptacle, lower AC
11	99A1801	1	Retainer, C-clip
12	99A1802	1	AC receptacle, upper AC
13	99A1803	1	Cover, top LVPS
14	99A1804	3	Nut w/lock washer, top LVPS cover mounting
15	99A1805	1	Grommet, top LVPS cover

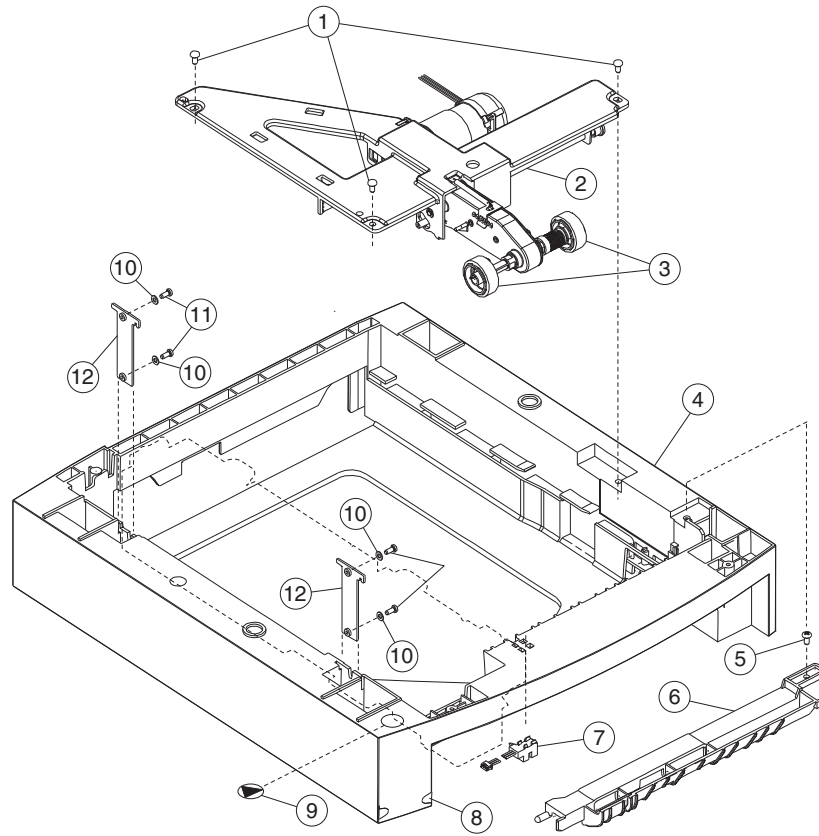
Assembly 31: High-capacity feeder 4



Assembly 31: High-capacity feeder 4

Asm-index	Part number	Units	Description
31—1	99A0281	1	Cable, 250-sheet autoconnect
2	99A0279	1	Bearing, drive shaft
3	99A0273	1	Gear, bevel
4	99A0276	1	500 Drive roll assembly
5	99A0263	2	Parts packet, screw (frame mounting)
6	99A0451	1	Roll, skewed backup
7	99A0267	1	Parts packet, retainer (roller)
8	99A0675	2	Parts packet, screw (wear plate mounting)
9	99A0277	1	Wear plate wear, pass thru
10	99A0445	1	Stud assembly, 250-sheet frame
11	99A0280	1	Bearing, drive shaft low
12	99A0275	1	Spring, power takeoff
13	99A0272	1	Shaft, 250-sheet drive
14	99A0446	1	Aligner assembly, paper
15	99A0267	1	Parts packet, retainer (aligner assembly)
16	99A0274	1	Gear, feed roll
17	99A0278	1	Bellcrank, roller release
18	56P4172	1	Card assembly, 2000 tray option
19	99A0263	3	Parts packet, screw (tray option card mounting)
NS	99A0675	10	Parts packet, screw (door to door frame mounting)
NS	99A0676	6	Parts packet, nut support frame 1 hex, support frame 2, hex
NS	99A0677	6	Parts packet, washer (support frame 1 star, support frame 2 star)
NS	99A0684	1	Cable, HCIT-14 pin flex
NS	99A0286	1	Spring, backup roller

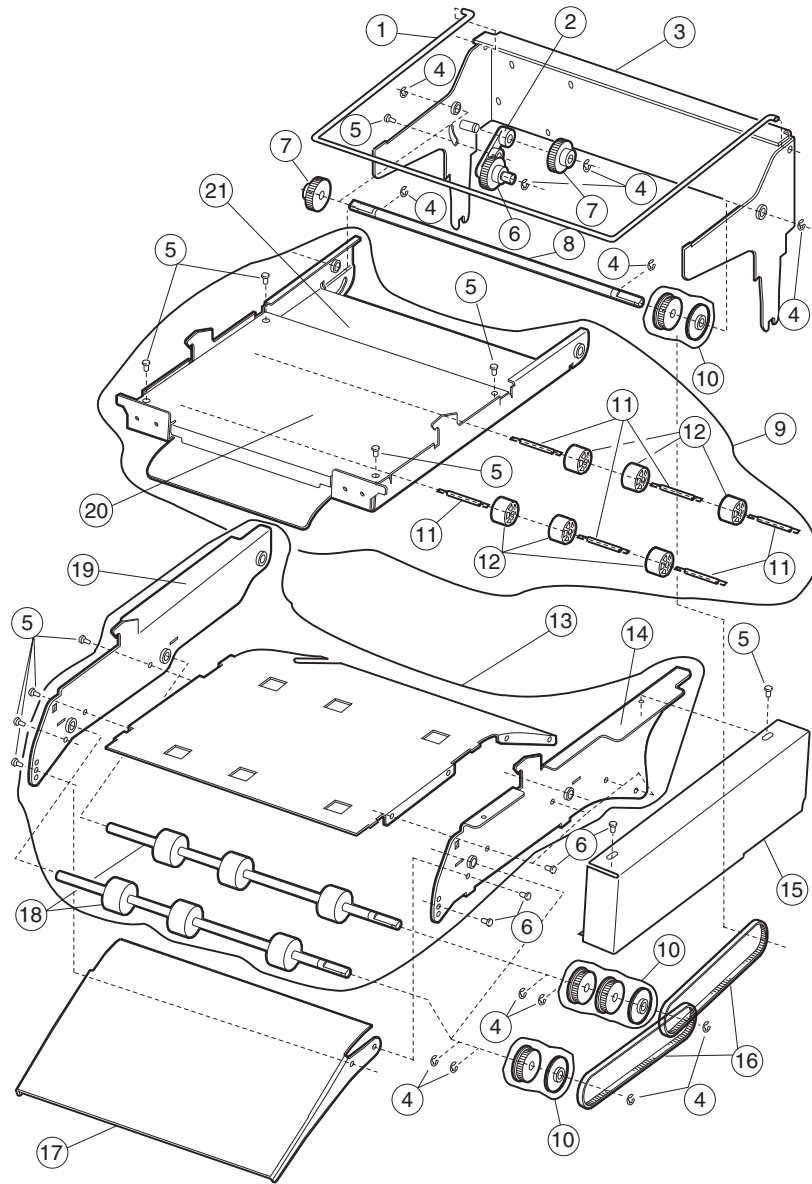
Assembly 32: High-capacity feeder 5



Assembly 32: High-capacity feeder 5

Asm-index	Part number	Units	Description
32—1	99A0263	3	Parts packet, screw (auto comp assembly mounting)
2	99A1055	1	Arm assembly, pick 2000
3	40X4308	2	Roll assembly, pick
4	99A0692	1	Base, 2000 option
5	99A0263	1	Parts packet, screw (deflector mounting)
6	99A0678	1	Deflector, base
7	99A0288	1	Sensor, pass thru
8	99A1812	1	Label, tray option number
9	99A1666	1	Label, options
10	99A0677	4	Parts packet, washer (bracket 250-sheet frame retention mounting)
11	99A0263	4	Parts packet, screw (bracket 250-sheet frame retention mounting)
12	99A0679	2	Bracket, 250-sheet frame retention
NS	99A0717	1	Cable, paper low switch
NS	99A0720	1	Cable, lower limit switch

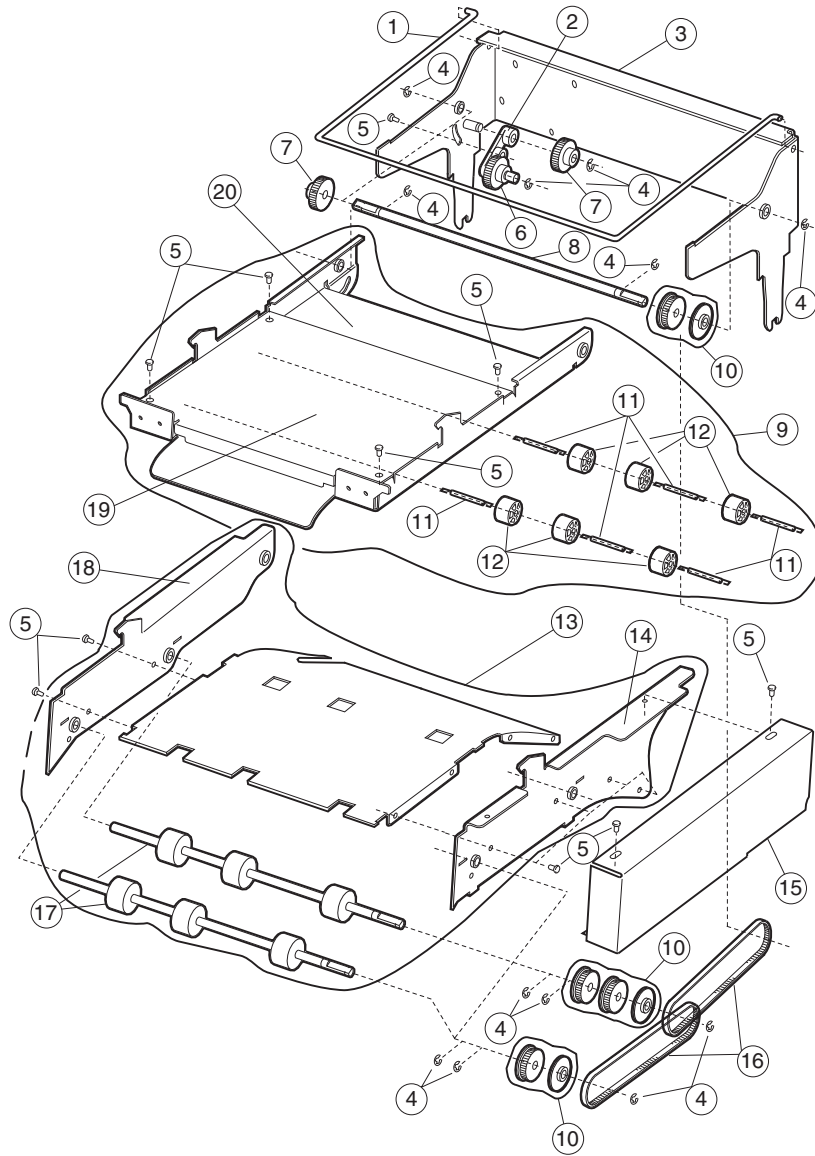
Assembly 33: Kiosk—vertical paper adapter



Assembly 33: Kiosk—vertical paper adapter

Asm-index	Part number	Units	Description
33—1	99A0231	1	Bail, support
2	99A1646	1	Arm assembly, pivot
3	99A1819	1	Mounting, frame assembly
4	99A0240	12	Parts packet, retainer
5	99A0234	16	Parts packet, screw
6	99A1705	1	Gear, idler
7	99A1704	2	Gear, idler
8	99A0197	1	Shaft, drive rear
9	99A0079	1	Tray assembly, backup roller
10	99A0208	3	Parts packet, pulley
11	99A0087	6	Spring, backup roller
12	99A0086	6	Roller, backup
13	99A1706	1	Tray assembly, drive roller
14	99A0125	1	Frame assembly, right side
15	99A0232	1	Cover, right
16	99A1820	2	Belt, 185G
17	99A0226	1	Guide, paper exit
18	99A0122	2	Shaft assembly, drive roller
19	99A0137	1	Frame assembly, left side
20	99A0088	1	Cover, backup tray
21	99A0085	1	Tray, backup roller

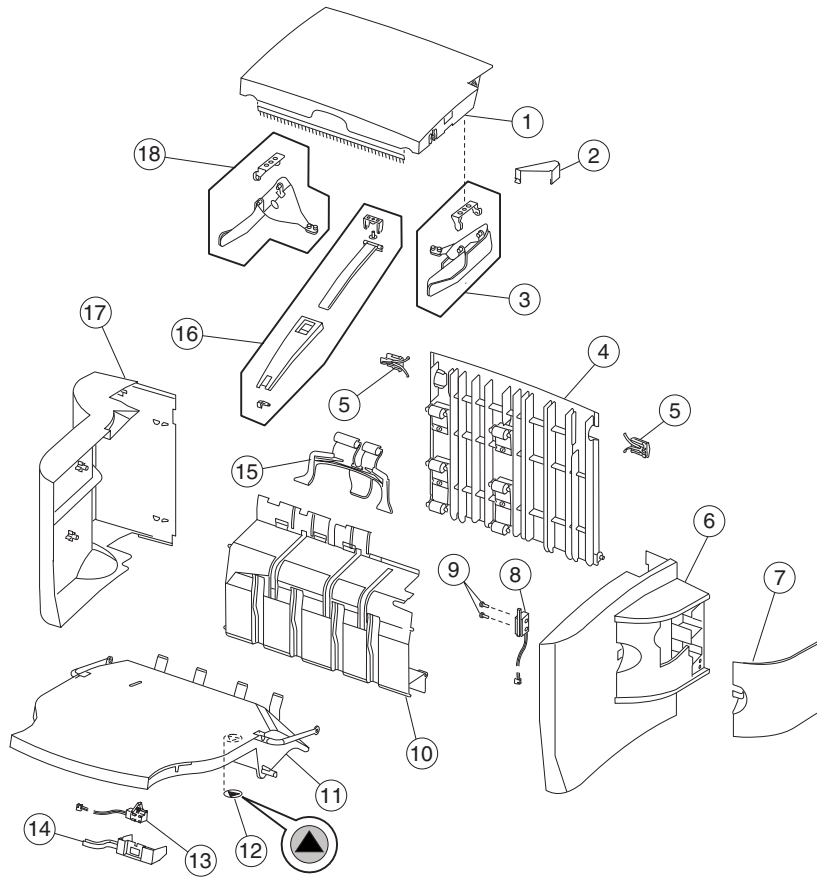
Assembly 34: Kiosk—horizontal paper adapter



Assembly 34: Kiosk—horizontal paper adapter

Asm-index	Part number	Units	Description
34—1	99A0231	1	Bail, support
2	99A1646	1	Arm assembly, pivot
3	99A1819	1	Mounting, frame assembly
4	99A0240	12	Parts packet, retainer
5	99A0234	15	Parts packet, screw
6	99A1705	1	Gear, idler
7	99A1704	2	Gear, idler
8	99A0197	1	Shaft, drive rear
9	99A0079	1	Tray assembly, backup roller
10	99A0208	3	Parts packet, pulley
11	99A0087	6	Spring, backup roller
12	99A0086	6	Roller, backup
13	99A1707	1	Tray assembly, drive roller
14	99A0907	1	Frame assembly, right side
15	99A0232	1	Cover, right
16	99A1820	2	Belt, 185G
17	99A0122	2	Shaft assembly, drive roller
18	99A0906	1	Frame assembly, left side
19	99A0088	1	Cover, backup tray
20	99A0085	1	Tray, backup roller

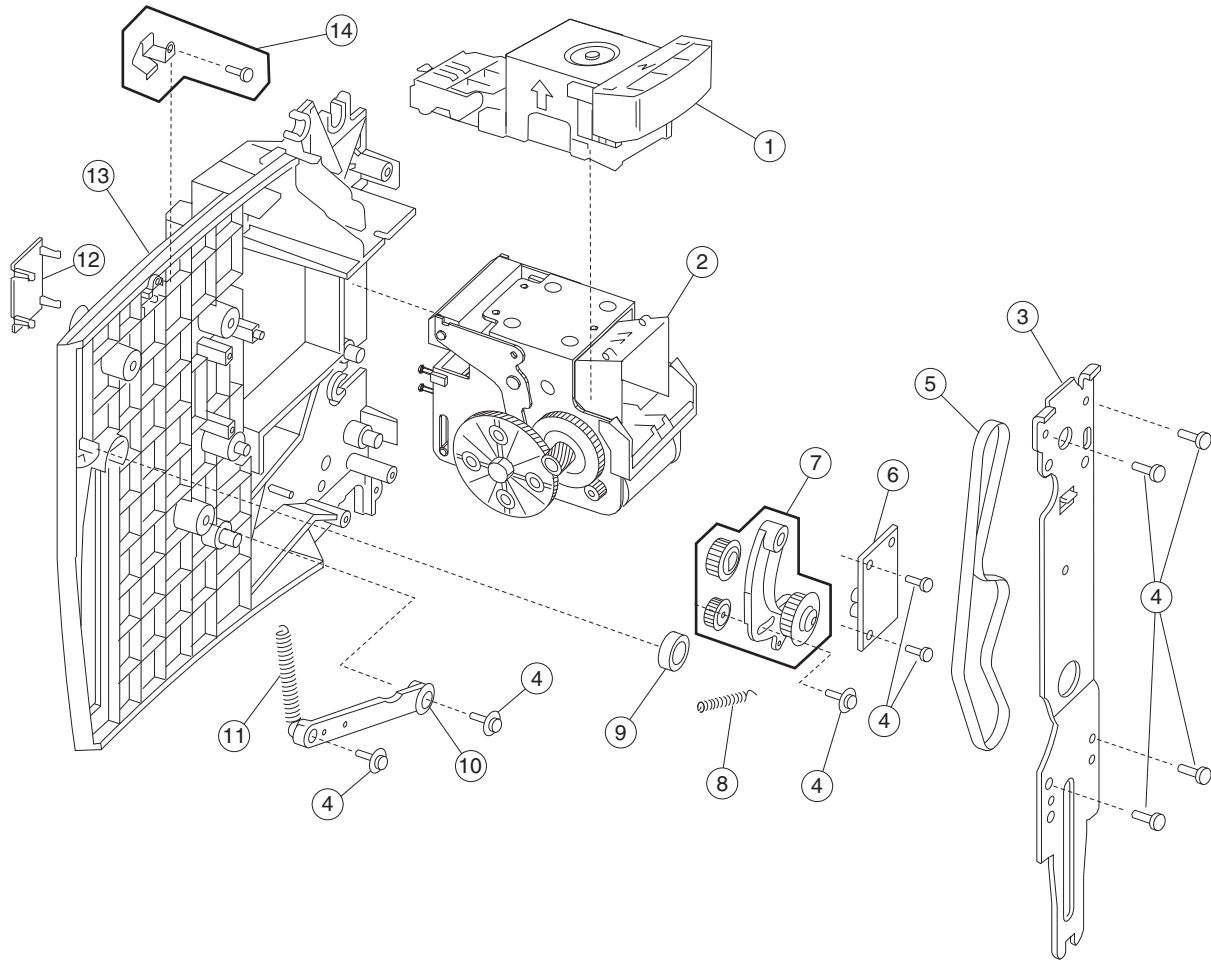
Assembly 35: StapleSmart finisher I



Assembly 35: StapleSmart finisher 1

Asm-index	Part number	Units	Description
35—1	99A2505	1	Cover, top assembly
2	99A2510	1	Clip, brush ground
3	99A2506	1	Top cover bail/plate, right side
4	99A2512	1	Door, rear access
5	99A1785	2	Latch, rear access door
6	99A2501	1	Cover, right base assembly
7	99A2503	1	Cover, stapler access
8	99A2502	1	Switch, stapler access door assembly
9		2	Screws, switch (stapled access) mounting 99A2509 Parts Packet
10	99A2519	1	Cover, accumulator assembly
11	99A2520	1	Tray, output assembly
11	99A2542	1	Tray, output
12	99A1666	1	Label, tray options
13	99A2521	1	Sensor, stapler bin empty
14	99A2541	1	Sensor cover, stapler bin empty
15	99A2511	1	Bail, center stapler
16	99A2508	1	Kit, stacking bail
17	99A2500	1	Cover, left base assembly
18	99A2507	1	Top cover bail/plate, left side

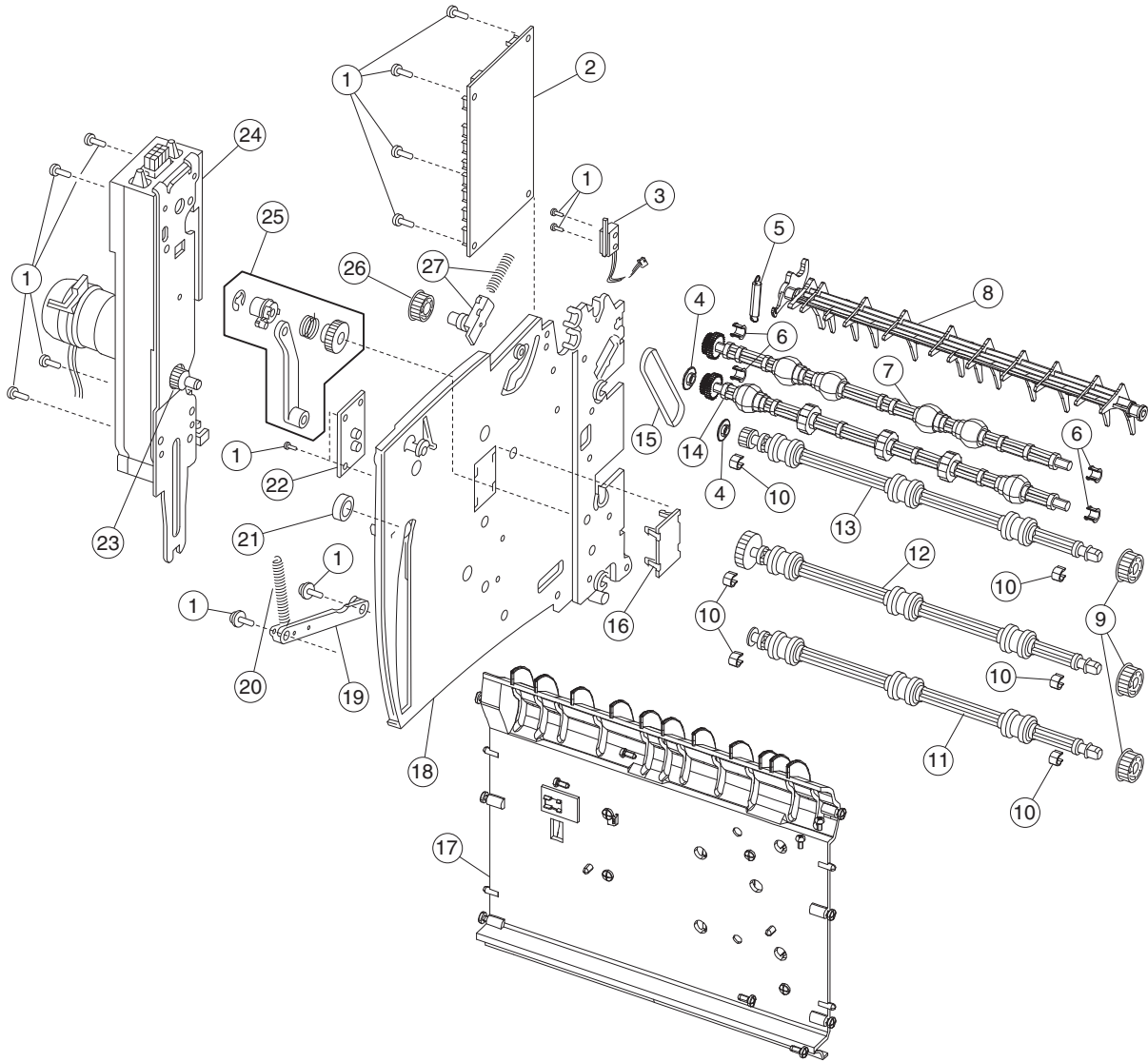
Assembly 36: StapleSmart finisher 2



Assembly 36: StapleSmart finisher 2

Asm-index	Part number	Units	Description
36—1	99A2575	1	Stapler cartridge holder 321-C
2	99A2526	1	Stapler assembly
3	99A2556	1	Bracket, attach
4	99A0263	1	Parts packet, screws
5	99A1820	1	Belt, 185G
6	99A2544	1	Card assembly, right stapler bin level
7	99A0362	1	Arm assembly, belt idler
8	99A2545	1	Spring, swing arm
9	99A2548	1	Bumper, output tray
10	99A2533	1	Bar, upper output tray
11	99A2523	2	Spring, output tray
12	99A2543	2	Cover, optical sensor
13	99A2528	1	Frame assembly, right
14	99A2557	1	Clip, static ground

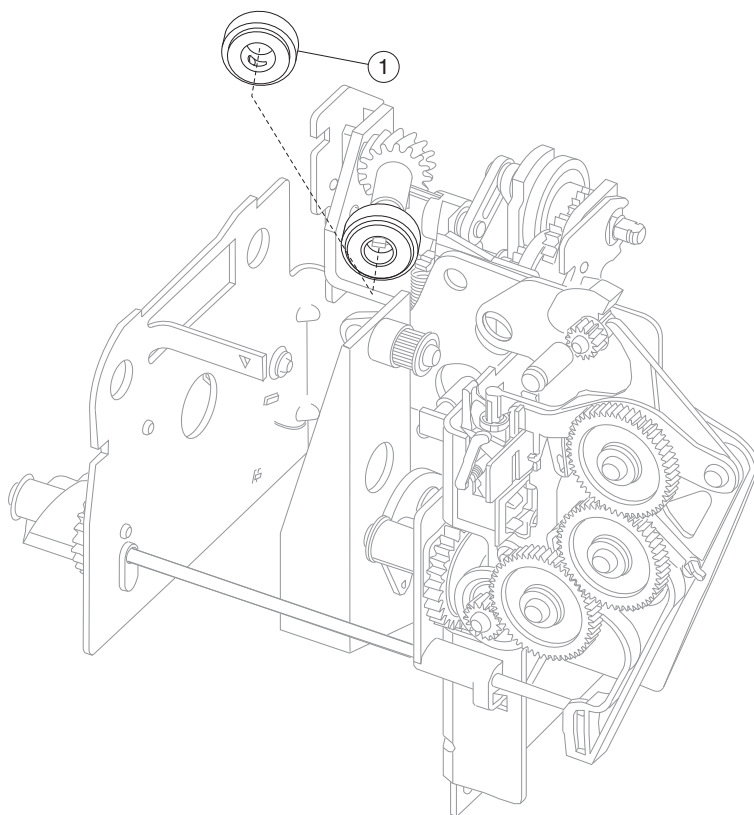
Assembly 37: StapleSmart finisher 3



Assembly 37: StapleSmart finisher 3

Asm-index	Part number	Units	Description
37—1	99A0263	1	Parts packet, screws
2	56P1747	1	System card assembly, stapler option
3	99A2531	1	Switch assembly, top cover open
4	99A2539	1	Flange, pulley
5	99A0104	1	Spring, upper diverter
6	99A2540	4	Bearing, redrive
7	99A2517	1	Shaft assembly, upper exit
8	99A2516	1	Deflector, upper
9	99A0363	1	Pulley, drive
10		1	Bearings, 500-sheet stacker PP 99A0572
11	99A0368	1	Shaft assembly, lower
12	99A0913	1	Shaft assembly, 40T middle stacker
13	99A2515	1	Shaft assembly, upper drive
14	99A2518	1	Shaft assembly, lower exit
15	99A2538	1	Belt, FHT 86T
16	99A2543	1	Cover, optical sensor
17	99A2529	1	Guide, inner bias
18	99A2527	1	Frame assembly, left
19	99A2533	1	Bar, upper output tray
20	99A2523	1	Spring, output tray
21	99A2548	1	Bumper, output tray
22	99A2549	1	Card assembly, left stapler bin level
23	99A1717	1	Gear, drive
24	99A2513	1	Motor assembly, drive
25	99A2551	1	Clutch assembly, stapler option
26	99A2547	1	Pulley, belt idler
27	99A2552	1	Bushing, tensioner CBM

Assembly 38: StapleSmart finisher 4



Assembly 38: StapleSmart finisher 4

Asm-index	Part number	Units	Description
38—1	99A2559	1	Paper alignment wheel
NS	99A2480	1	Kit, maintenance StapleSmart wheels
NS	99A2525	1	Sensor, stapler pass thru
NS	99A2530	1	Cable assembly, right stapler bin level
NS	99A2534	2	Ground cable, stapler tray bar
NS	99A2524	1	Cable, stapler
NS	99A2532	1	Cable, ground
NS	99A2504	1	Cable assembly, left stapler bin level
NS	99A2546	1	Label, pinch point
NS	99A0548	1	Tie, cable

Assembly 39: Options

Asm-index	Part number	Units	Description
NS	56P0695	1	8MB memory option
NS	56P0696	1	16MB memory option
NS	56P0697	1	32MB memory option
NS	56P0698	1	64MB memory option
NS	56P0699	1	128MB memory option
NS	56P1417	1	16MB Flash card
NS	56P1418	1	32MB Flash card
NS	56P1850	1	Card assembly, Bar Code
NS	56P2468	1	Card assembly IPDS and SCS/TNe
NS	56P1851	1	PrintCryption card assembly
NS	56P1419	1	Hard disk, with adapter 20+GB
NS	99A0629	1	Adapter card, SES for SCS
NS	13A0296	1	Cable, Twinax
NS	13A0297	1	Cable, Coax
NS	99A0545	1	External serial adapter
NS	13A0298	1	Cable, serial
NS	56P2182	1	Card assembly, ImageQuick
NS	56P1424	1	Optra Forms hard disk, with adapter (20+GB)
NS	99A1890	1	Tray assembly, 250-sheet special media
NS	99A1647	1	Rib assembly, 250-sheet special media tray
NS	99A1654	1	Tray, universal adjustable 250-sheet
NS	56P1100	1	Cartridge, empty shipping
NS	99A1605	1	Kit, cap/stack bails 500-sheet
NS	56P1742	1	MarkNet N2101e Ethernet 10BaseT/100Base TX internal print server
NS	56P1743	1	MarkNet N2104fl-SC fiber optic (10MB) internal
NS	56P1744	1	MarkNet N2103fx-SC fiber optic (100MB) internal
NS	56P1741	1	MarkNet N2100t token ring internal print server
NS	56P1437	1	Parallel 1284-B interface card
NS	56P1436	1	RS232C serial interface card
NS	99A2485	1	Tray assembly, UAT 400-sheet
NS	56P1435	1	Serial adapter, int w/out +5 V ac

Assembly 39 (cont.): Options

Asm-index	Part number	Units	Description
NS	56P1427	1	Optra Forms 32MB Flash card
NS	56P1428	1	Optra Forms 16MB Flash card
NS	56P1429	1	Simplified Chinese font card
NS	56P1430	1	Traditional Chinese font card
NS	56P1438	1	Japanese font card
NS	56P1101	1	Cable assembly, 6' parallel, A-C
NS	56P0161	1	Cable assembly, SER+PAR 1284C INA
NS	56P0162	1	Cable, parallel 1284 C-B adapter

Assembly 40: Miscellaneous

Asm-index	Part number	Units	Description
NS	99A1633	1	Parts packet, screw
NS	99A0585	1	Parts packet, contact kit
NS	99A0267	1	Parts packet, retainers
NS	99A0268	1	Parts packet, springs paper feed
NS	99A0269	1	Parts packet, duplex option fan mounting
NS	99A0299	1	Parts packet, duplex option cam follower assembly
NS	99A0271	1	Parts packet, envelope option gears
NS	99A0404	1	Parts packet, retainers envelope option
NS	99A0413	1	Parts packet, screw duplex
NS	99A0572	1	Parts packet, bearings, 500-sheet stacker
NS	99A0577	1	Parts packet, cable ties (10 each)
NS	99A0675	1	Parts packet, screw high-capacity feeder
NS	99A0676	1	Parts packet, nuts high-capacity feeder
NS	99A0677	1	Parts packet, washers high-capacity feeder
NS	99A0083	1	Parts kit, multipurpose tray
NS	99A0512	1	Parts kit, charge roll link asm, left side
NS	99A0513	1	Parts kit, charge roll link asm, right side
NS	99A0702	2	Printer stand caster, non-locking
NS	99A0703	2	Printer stand caster, locking
NS	99A0704	1	Printer stand grommet, wire
NS	99A0705	2	Printer stand lock, cam
NS	99A0706	1	Printer stand storage shelf
NS	99A0707	1	Printer stand door assembly, cabinet
NS	99A0710	1	Printer stand filler, rear top piece
NS	99A0711	1	Printer stand table assembly, large
NS	99A0712	1	Printer stand table assembly, small
NS	99A0208	1	Parts packet, pulley
NS	99A0234	1	Parts packet, screw—kiosk
NS	99A0394	1	Grease packet, Nyogel 744
NS	7371454	1	Relocation kit, 250/250-sheet printer
NS	7371455	1	Relocation kit, 500/250-sheet printer