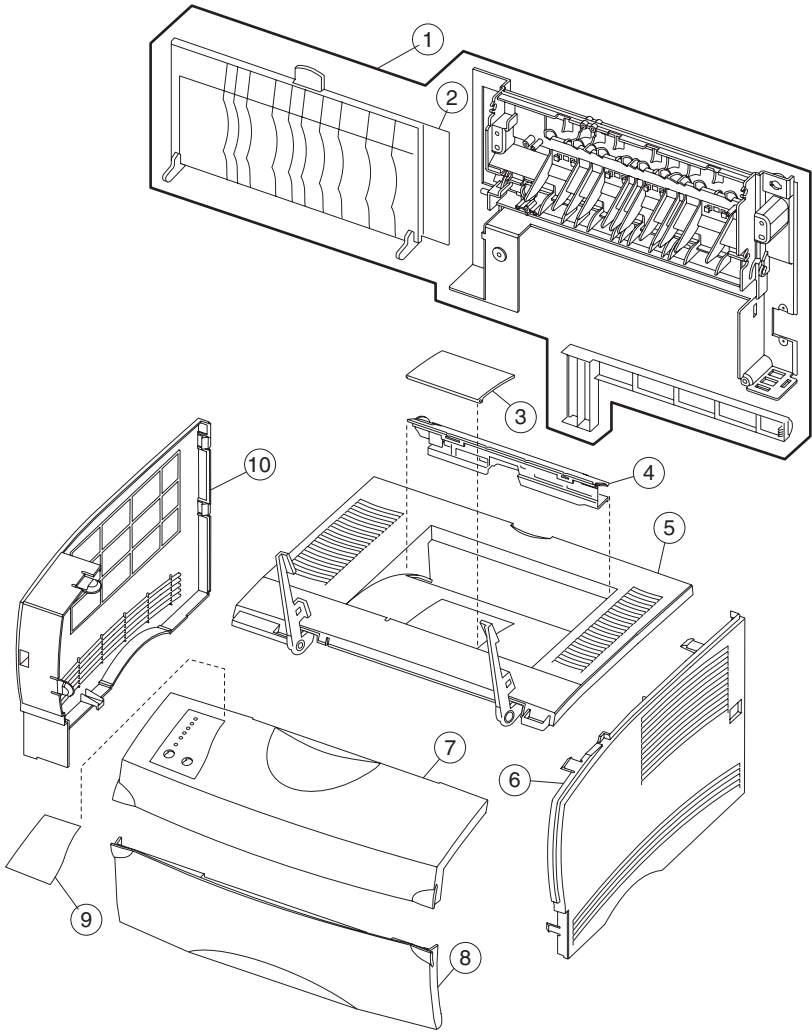

7. Parts Catalog

How to Use This Parts Catalog

- **SIMILAR ASSEMBLIES:** If two assemblies contain a majority of identical parts, they are shown on the same list. Common parts are shown by one index number. Parts peculiar to one or the other of the assemblies are listed separately and identified by description.
- **AR:** (As Required) in the Units column indicates that the quantity is not the same for all machines.
- **NS:** (Not Shown) in the Asm-Index column indicates that the part is procurable but is not pictured in the illustration.
- **PP:** (Parts Packet) in the parts description column indicates the part is contained in a parts packet.

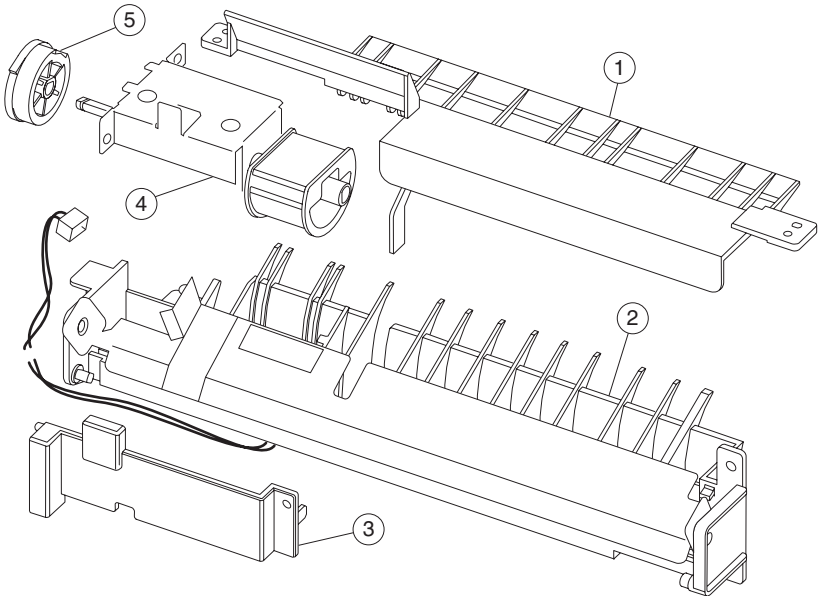
Assembly 1: Covers



Assembly 1: Covers

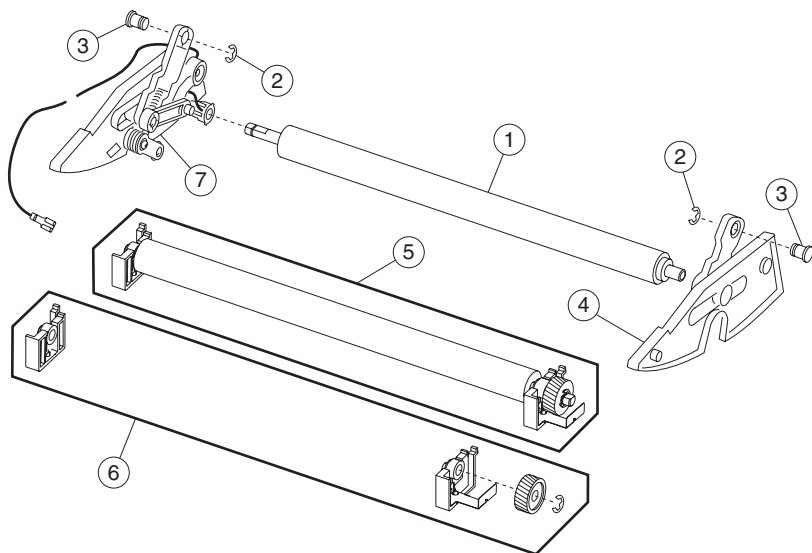
Asm-Index	Part Numbers	Units	Description
1-1	56P2508	1	Cover Assembly, Rear
1-2	56P0607	1	Door Assembly, Rear Exit
1-3	56P0680	1	Flap, Paper Holder
1-4	56P0603	1	Cover Assembly, Duct
1-5	56P0604	1	Cover Assembly, Top
1-6	56P0605	1	Cover Assembly, Right
1-7	56P0601	1	Cover Assembly, Front, with Display (without logo)
1-7	56P0602	1	Cover Assembly, Front with Display (with logo)
1-8	56P0610	1	Cover Assembly, MPF Door
1-9	56P0679	1	Overlays, Language
1-10	56P0600	1	Cover Assembly, Left

Assembly 2: Multipurpose Feeder (MPF)



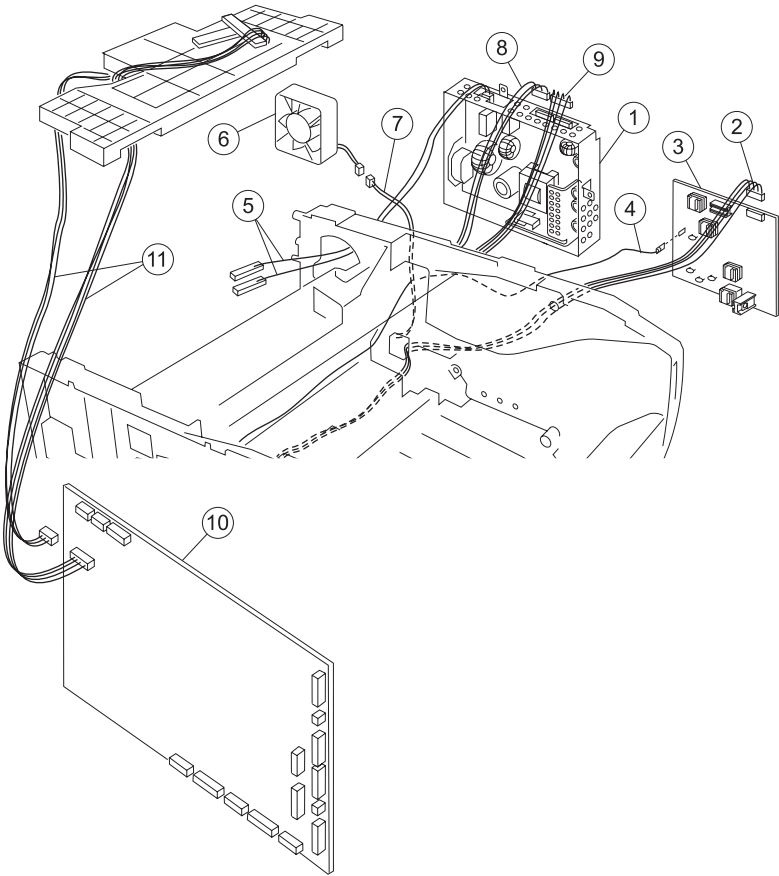
Asm-Index	Part Numbers	Units	Description
2-1	56P0612	1	Housing Assembly, Upper (MPF)
2-2	56P0611	1	Housing Assembly, Lower (MPF)
2-3	56P0615	1	Cap, MPF Paper Feed Cover
2-4	56P2181	1	Assembly, Roller (MPF)
2-5	56P0614	1	Gear, MPF Paper Pick

Assembly 3: Charging



Asm-Index	Part Numbers	Units	Description
3-1	56P0640	1	Roll, Charge
3-2	56P0668	1	Parts Pack, (Screws and E-Rings)
3-3	56P0669	1	Hinge, Pivot (quantity 2)
3-4	56P0642	1	Guide Assembly, Right
3-5	56P0643	1	Assembly, Transfer Roll
3-6	56P0644	1	Bearings, Transfer Roll
3-7	56P0641	1	Guide Assembly, Left

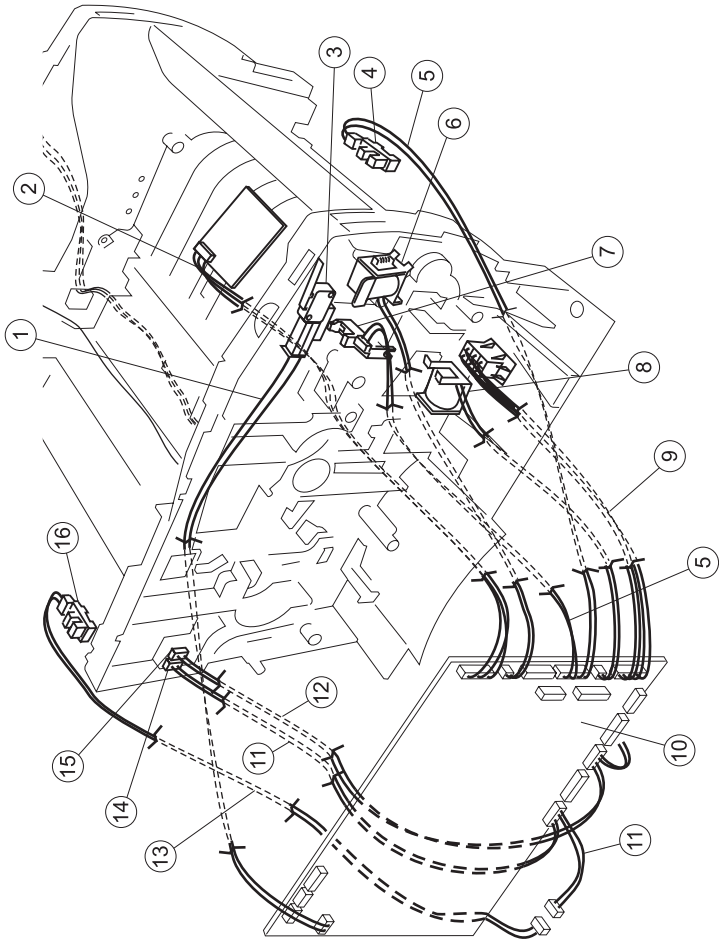
Assembly 4: Electronics and Cables



Assembly 4: Electronics and Cables

Asm-Index	Part Numbers	Units	Description
4-1	56P0626	1	Power Supply, 110 V
4-1	56P0627	1	Power Supply, 220 V
4-2, 7, 8, 9	56P0663	1	Cable Assembly, Main Harness Locations: 2. HVPS 7. Fan 8. LVPS Power 9. LVPS Control NS Paper-In, Duplex
4-3	56P0628	1	PS, High Volt
4-4	56P0641	1	Guide Assembly, Left
4-5	56P0650	1	Cable Assembly, LVPS to Fuser
4-6	56P0630	1	Fan, Cooling
4-10	56P0617	1	Card Assembly, RIP
4-10	56P0619	1	Card Assembly, Network RIP
4-11	56P0622	1	Cable Assembly, Printhead

Assembly 4 (cont.): Electronics and Cables



Assembly 4 (cont.): Electronics and Cables

Asm-Index	Part Numbers	Units	Description
4-1	56P0624	1	Cable Assembly, Cover Switch
4-2	56P0621	1	Cable Assembly, Operator Panel
4-3	56P0625	1	Switch, Interlock Cover
4-4 and 5			Sensor and Cable Included with P/N 56P0611 (lower MPF housing)
4-6 and 8	56P0616	2	Solenoid, Paper Feed
4-7	56P0653	1	Sensor, Toner Level
4-9	56P0631	1	Cable Assembly, Drawer
4-10	56P0617	1	Card Assembly, RIP
4-10	56P0619	1	Card Assembly, Network RIP
4-11	56P0664	1	Cable Assembly, Output Full (and Fuser Exit)
4-12	56P0652	1	Sensor, Smart Button
4-13	56P0682	1	Sensor Cable, Output Full
4-14	56P0665	1	Connector, 3-Pin
4-15	56P0666	1	Connector, 2-Pin
4-16	56P0645	1	Sensor, Photo
NS	56P0649	1	Cable Assembly, Fuser Exit
NS	56P0620	1	Cable Assembly, Motor

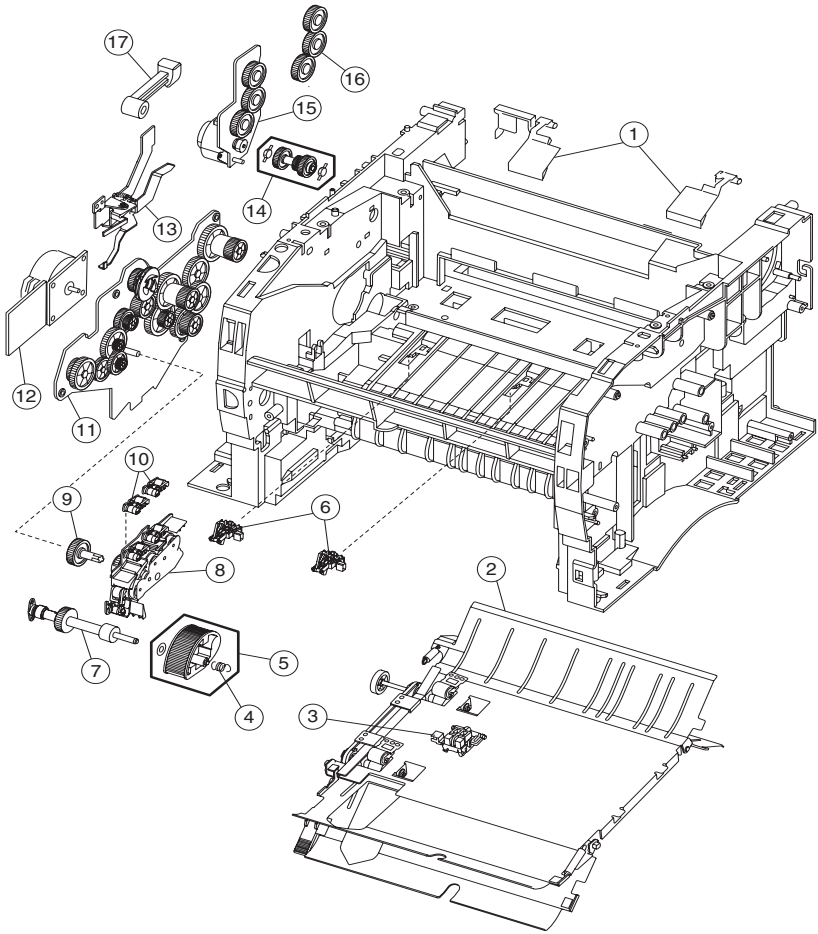
Assembly 4 (cont.): Electronics and Cables

This page left intentionally blank.

Assembly 4 (cont.): Electronics and Cables

Asm-Index	Part Numbers	Units	Description
NS	40X0297	1	Power Cord, U.S., Bolivia, Canada, Caribbean Countries, Columbia, Costa Rica, Dominican Republic, Ecuador, El Salvador, Guatemala, Honduras, Japan, Mexico, Nicaragua, Peru, Panama, Puerto Rico, Saudi Arabia, Taiwan, The Virgin Islands, Venezuela, AP-LV
NS	1339528	1	Power Cord, Bahrein, Cyprus, Iraq, Ireland, Kuwait, Oman, Qatar, UAE, UK, Yemen, (HV)
NS	1339529	1	Power Cord, Austria, Belgium, Bosnia, Bulgaria, Catalan, Czech, Croatia, Egypt, Albania (Euro English and other East), Finland, France, Germany, Greece, Hungary, Iceland, Iran, Italy, Jordan, Lebanon, Macedonia, Netherlands, Norway, Paraguay, Poland, Portugal, Romania, Russia, and CIS, Slovak Countries, Slovenia, Spain, Sweden, Syria, Turkey, Yugoslavia (Serbia and Montenegro)(HV)
NS	1339530	1	Power Cord, Israel (HV)
NS	1339531	1	Power Cord, Switzerland (HV)
NS	1339532	1	Power Cord, Lybia, Pakistan, South Africa (HV)
NS	1339533	1	Power Cord, Chile, Uruguay (HV)
NS	1339534	1	Power Cord, Denmark (HV)
NS	43H5545	1	Power Cord, PR China (HV)
NS	1339548	1	Power Cord, Brazil (LV)
NS	11D0330	1	Power Cord, Argentina
NS	1339520	1	Power Cord, U.S. (HV) RPQ

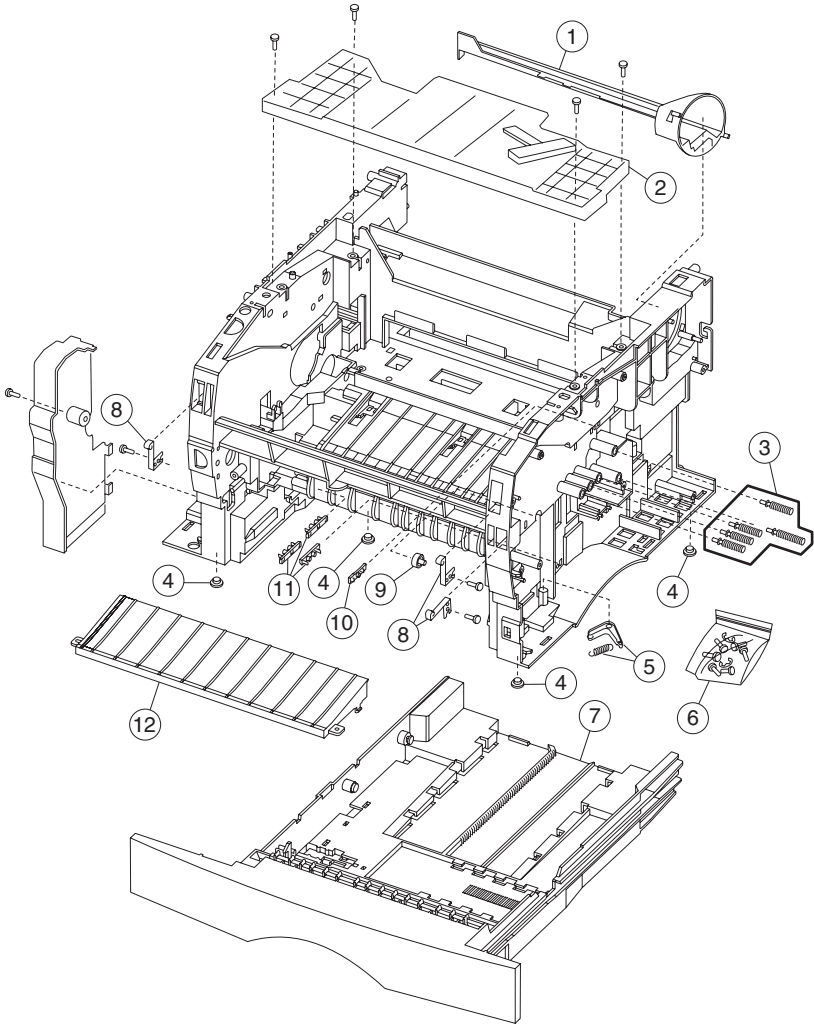
Assembly 5: Paper Feed



Assembly 5: Paper Feed

Asm-Index	Part Numbers	Units	Description
5-1	56P0677	1	Flags, Stack Control
5-2	56P0651	1	Assembly, Duplex
5-3	56P0645	1	Sensor, Photo
5-4	56P0618	1	Spring, D-Roll
5-5	56P0656	1	Roll, Paper Feed
5-6	56P0655	1	Bracket, Paper Sensor
5-7	56P0657	1	Assembly, Paper Feed
5-8	56P0654	1	Plate Assembly
5-9	56P0634	1	Gear, Paper Feed
5-10	56P0693	1	Roller Asm., Reference Backup (Top Front and Rear)
5-11	56P0633	1	Assembly, Drive Order a lubricant to use with these gears, P/N 99A0394, (FRU, Nyogel 744). See page 4-3 for more information.
5-12	56P0632	1	Motor Assembly, Main Drive
5-13	56P0638	1	Coupling, Cartridge
5-14	56P0637	1	Drive, Ratchet Order a lubricant to use with these gears, P/N 99A0394, (FRU, Nyogel 744). See page 4-3 for more information.
5-15	56P0635	1	Assembly, Motor Order a lubricant to use with these gears, P/N 99A0394, (FRU, Nyogel 744). See page 4-3 for more information.
5-16	56P0636	1	Gears, Spur Order a lubricant to use with these gears, P/N 99A0394, (FRU, Nyogel 744). See page 4-3 for more information.
5-17	56P0639	1	Guide, Link

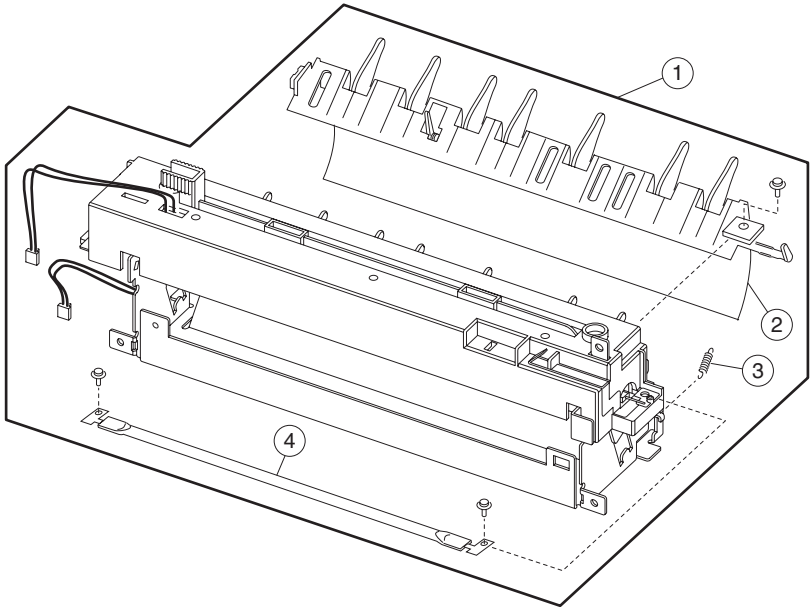
Assembly 6: Frame



Assembly 6: Frame

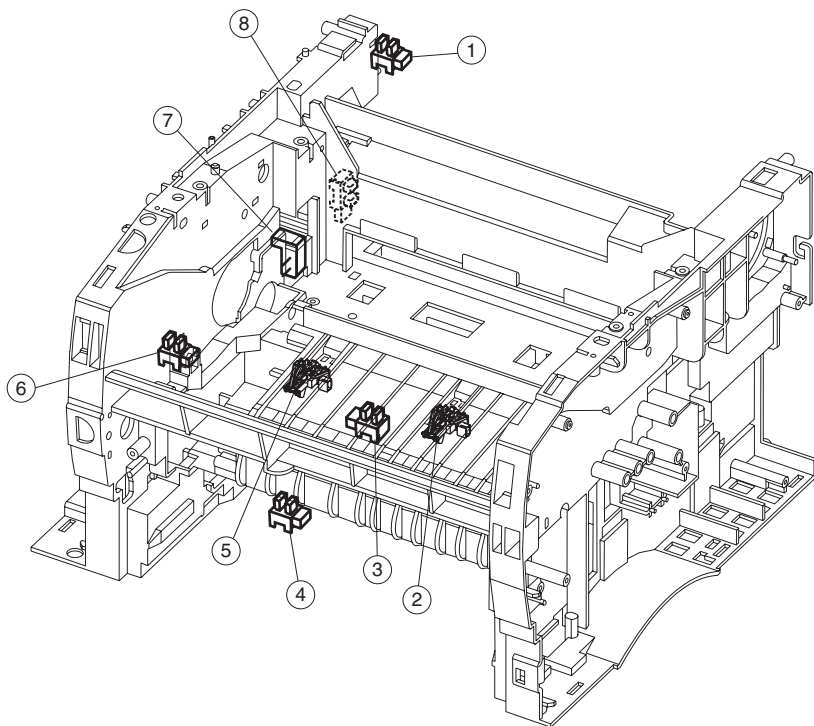
Asm-Index	Part Numbers	Units	Description
6-1	56P0606	1	Duct, Air
6-2	56P0623	1	Assembly, Printhead
6-3	56P0629	1	Assembly, Cartridge Contacts (quantity 5)
6-4	56P0662	1	Feet, Base
6-5	56P0661	1	Damper, Tray
6-6	56P0668	1	Parts Pack, (Screws and E-Rings)
6-7	56P0609	1	Assembly, Tray 1
6-8	56P0667	1	Latch, Door (Qty. 3)
6-9	56P0660	1	Roller, Paper Guide
6-10	56P0659	1	Bracket, Shutter
6-11	56P0672	1	Bracket, Body-Tray
6-12	56P0658	1	Guide, Entrance

Assembly 7: Fuser



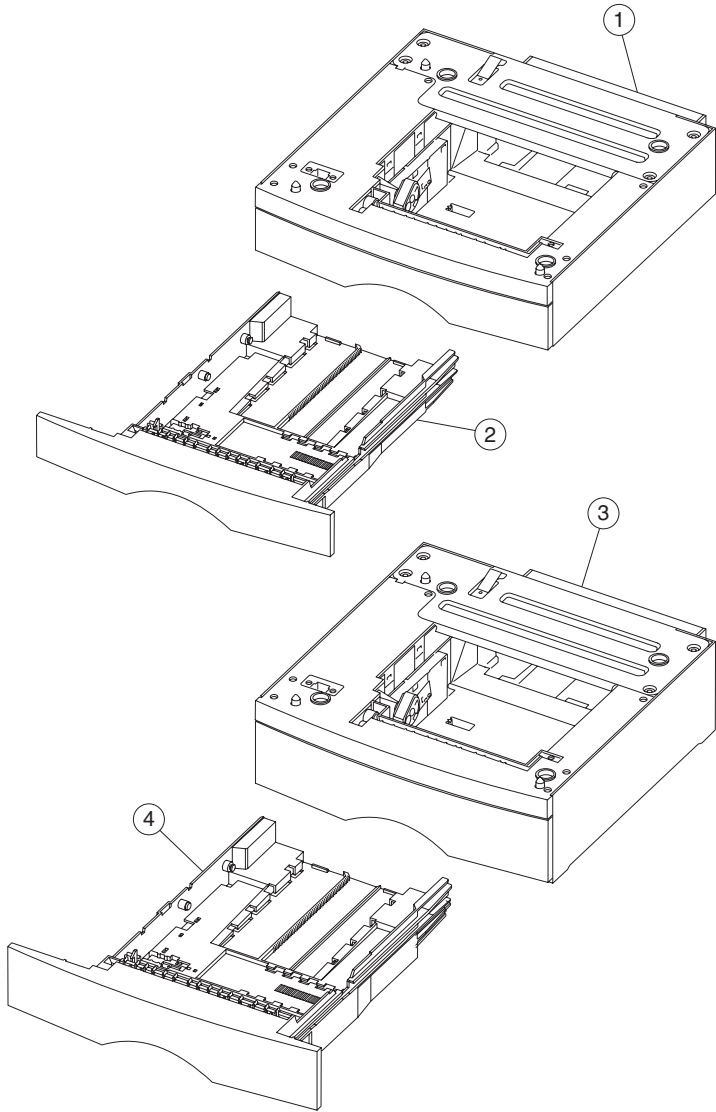
Asm-Index	Part Numbers	Units	Description
7-1	56P0648	1	Assembly, Fuser (110 V)
7-1	56P0671	1	Assembly, Fuser (220 V)
7-2	56P0673	1	Fuser Assembly, Paper Guide
7-3	56P0676	1	Spring, Fuser Exit
7-4	56P0646	1	Lamp, Fuser (110 V)
7-4	56P0647	1	Lamp, Fuser (220 V)

Assembly 8: Sensors



Asm-Index	Part Numbers	Units	Description
8- 1-5, 8	56P0645	1	Sensor, Photo Locations: 1. Paper Path Exit Flag 2. Paper Path below Cartridge 3. Paper Path Duplex 4. Paper Path MPF 5. Paper Path below Cartridge 8. Fuser Exit Sensor
8- 2, 5	56P0655	1	Bracket, Paper Sensor
8- 6	56P0653	1	Sensor, Toner Level
8- 7	56P0652	1	Sensor, Smart Button

Assembly 9: Options



Assembly 9: Options

Asm-Index	Part Numbers	Units	Description
9–1	56P0674	1	Drawer Assembly, 250–Sheet
9–2	56P0609	1	Tray, 250–Sheet
9–3	56P0675	1	Drawer Assembly, 500–Sheet
9–4	56P0678	1	Tray, 500–Sheet
NS	56P0694	1	DIMM, 4MB SDRAM
NS	56P0695	1	DIMM, 8MB SDRAM
NS	56P0696	1	DIMM 16MB SDRAM
NS	56P0697	1	DIMM, 32MB SDRAM
NS	56P0698	1	DIMM, 64MB SDRAM
NS	56P0699	1	DIMM, 128MB SDRAM
NS	99A1757	1	DIMM, 2MB Flash
NS	99A1758	1	DIMM, 4MB Flash
NS	99A1759	1	DIMM, 8MB Flash
NS	99A1774	1	DIMM, 16MB Flash
NS	99A1683	1	DIMM, Optra Forms 2MB Flash
NS	99A1684	1	DIMM, Optra Forms 4MB Flash
NS	99A1685	1	DIMM, Optra Forms 8MB Flash
NS	99A1686	1	DIMM, Optra Forms 16MB Flash
NS	56P1248	1	DIMM, Japanese 8MB Font
NS	56P1250	1	DIMM, Simplified Chinese Font
NS	56P1251	1	DIMM, Traditional Chinese Font
NS	12G9833	1	MarkNet™ X2011e Ethernet 10/100 BaseTX
NS	12G9832	1	MarkNet X2012e Ethernet 10/100 BaseTX/10Base2
NS	12G9831	1	MarkNet X2031e Ethernet 10/100 BaseTX
NS	12G9830	1	MarkNet X2030t Token–Ring
NS	99A0545	1	Adapter, External Serial
NS	1329605	1	Cable, High–Speed Bidirectional Parallel (10 ft)
NS	1427498	1	Cable, High–Speed Bidirectional Parallel (20 ft)
NS	12A2405	1	Cable, USB 2–Meter

Assembly 9: Options

Asm- Index	Part Numbers	Units	Description
NS	1038693	1	Cable, Serial (50 ft)
NS	7370971	1	Kit, Repack