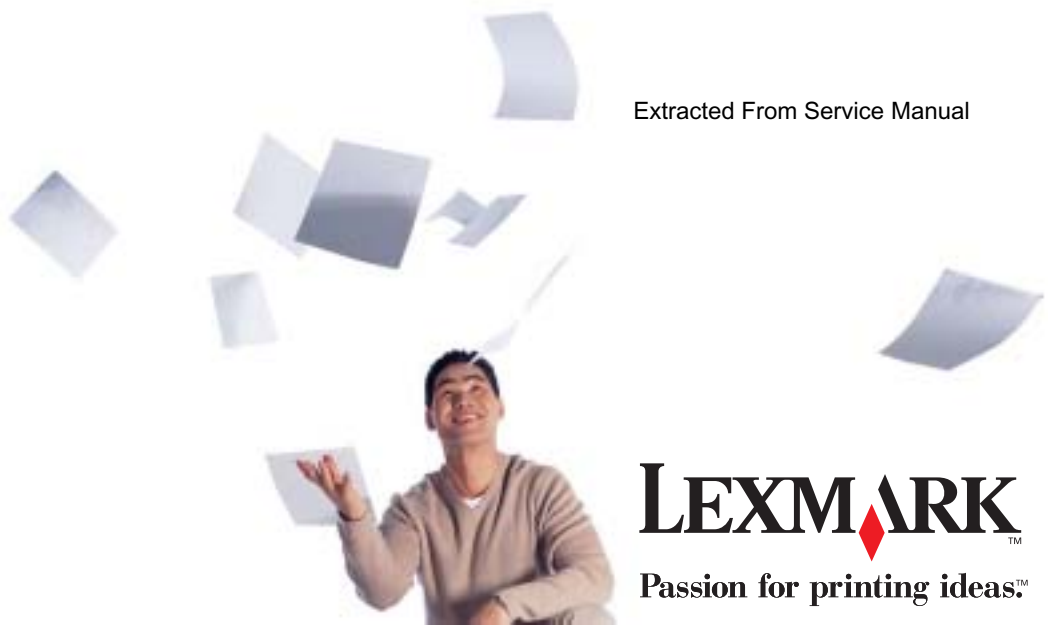


# Parts Breakdown

## Lexmark Optra™ W810

4023-001

Extracted From Service Manual



**LEXMARK**<sup>™</sup>

Passion for printing ideas.<sup>™</sup>

**Edition: March 2001**

**The following paragraph does not apply to any country where such provisions are inconsistent with local law:** LEXMARK INTERNATIONAL, INC. PROVIDES THIS PUBLICATION "AS IS" WITHOUT WARRANTY OF ANY KIND, EITHER EXPRESS OR IMPLIED, INCLUDING, BUT NOT LIMITED TO, THE IMPLIED WARRANTIES OF MERCHANTABILITY OR FITNESS FOR A PARTICULAR PURPOSE. Some states do not allow disclaimer of express or implied warranties in certain transactions, therefore, this statement may not apply to you.

This publication could include technical inaccuracies or typographical errors. Changes are periodically made to the information herein; these changes will be incorporated in later editions. Improvements or changes in the products or the programs described may be made at any time.

A form for reader's comments is provided at the back of this publication. If the form has been removed, comments may be addressed to Lexmark International, Inc., Department D22/032-2, 740 West New Circle Road, Lexington, Kentucky 40550, U.S.A. Lexmark may use or distribute any of the information you supply in any way it believes appropriate without incurring any obligation to you. You can purchase additional copies of publications related to this product by calling 1-800-553-9727. In other countries, contact your point of purchase.

Lexmark, MarkNet, MarkVision, Optra and OptraImage are trademarks of Lexmark International, Inc., registered in the United States and/or other countries.

Other trademarks are the property of their respective owners.

**© Copyright Lexmark International, Inc. 1999, 2000, 2001.  
All rights reserved.**

**UNITED STATES GOVERNMENT RESTRICTED RIGHTS**

This software and documentation are provided with RESTRICTED RIGHTS. Use, duplication or disclosure by the Government is subject to restrictions as set forth in subparagraph (c)(1)(ii) of the Rights in Technical Data and Computer Software clause at DFARS 252.227-7013 and in applicable FAR provisions: Lexmark International, Inc., Lexington, KY 40550.

---

## 7. Parts Catalog

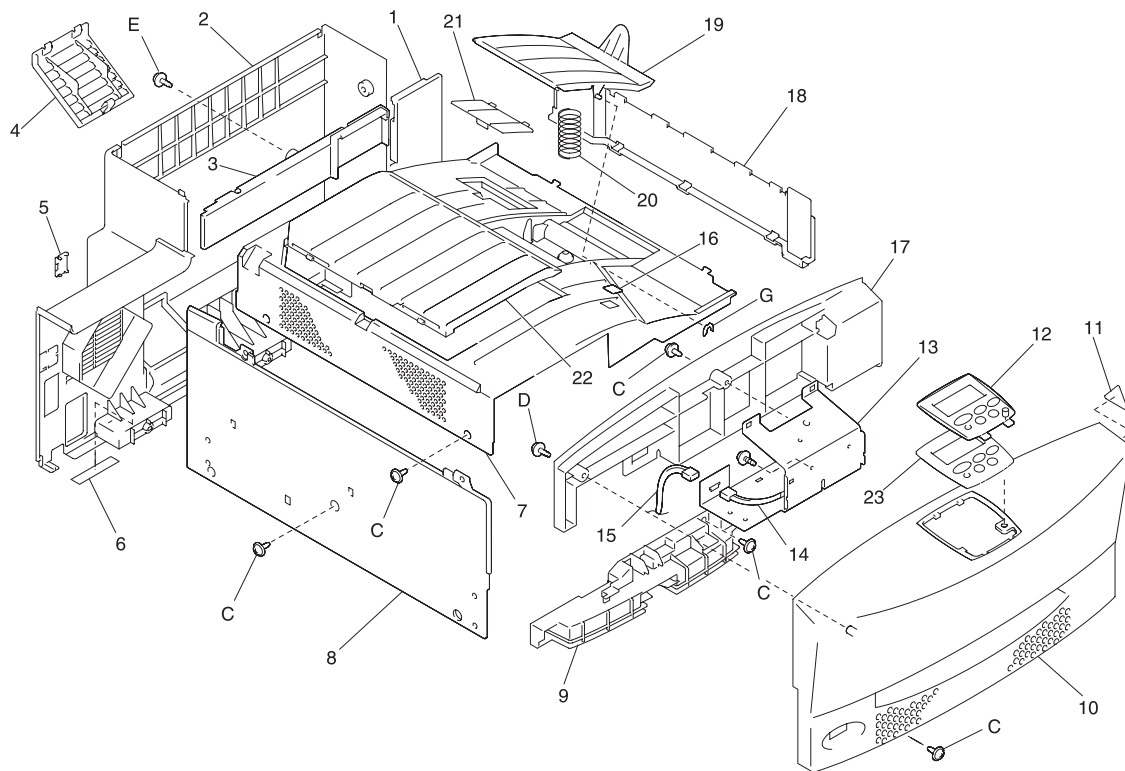
---

### How To Use This Parts Catalog

---

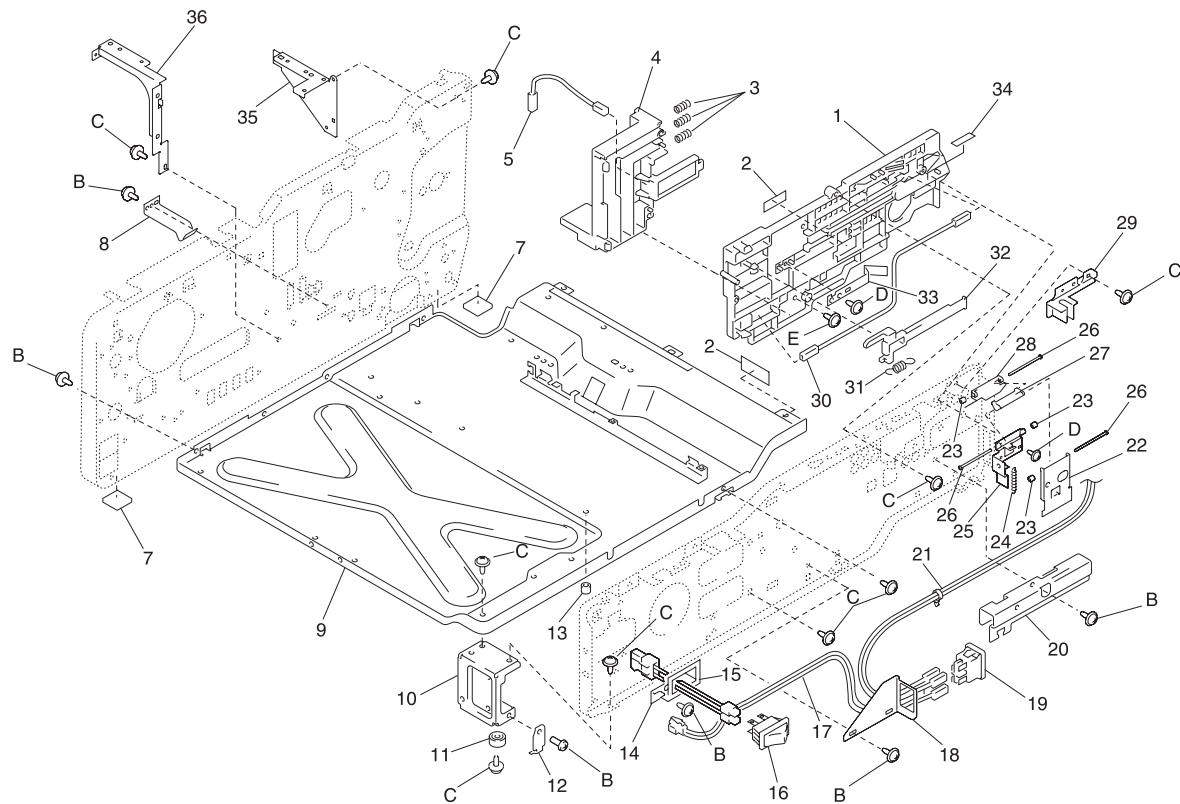
- **SIMILAR ASSEMBLIES:** If two assemblies contain a majority of identical parts, they are broken down on the same list. Common parts are shown by one index number. Parts peculiar to one or the other of the assemblies are listed separately and identified by description.
- **AR:** (As Required) in the Units column indicates that the quantity is not the same for all machines.
- **NP:** (Non-Procurable) in the Units column indicates that the part is non-procurable and that the individual parts or the next higher assembly should be ordered.
- **NR:** (Not Recommended) in the Units column indicates that the part is procurable but not recommended for field replacement, and that the next higher assembly should be ordered.
- **R:** (Restricted) in the Units column indicates that the part has a restricted availability.
- **NS:** (Not Shown) in the Ref column indicates that the part is procurable but is not pictured in the illustration.
- **PP:** (Parts Packet) in the Description column indicates that the part is contained in a parts packet.
- A part reference within a circle indicates an assembly or a bill-of-material. An assembly is complete. A bill-of-material contains unassembled parts.
- **NA:** Not available/not referenced.

# Assembly 1: Printer Housing



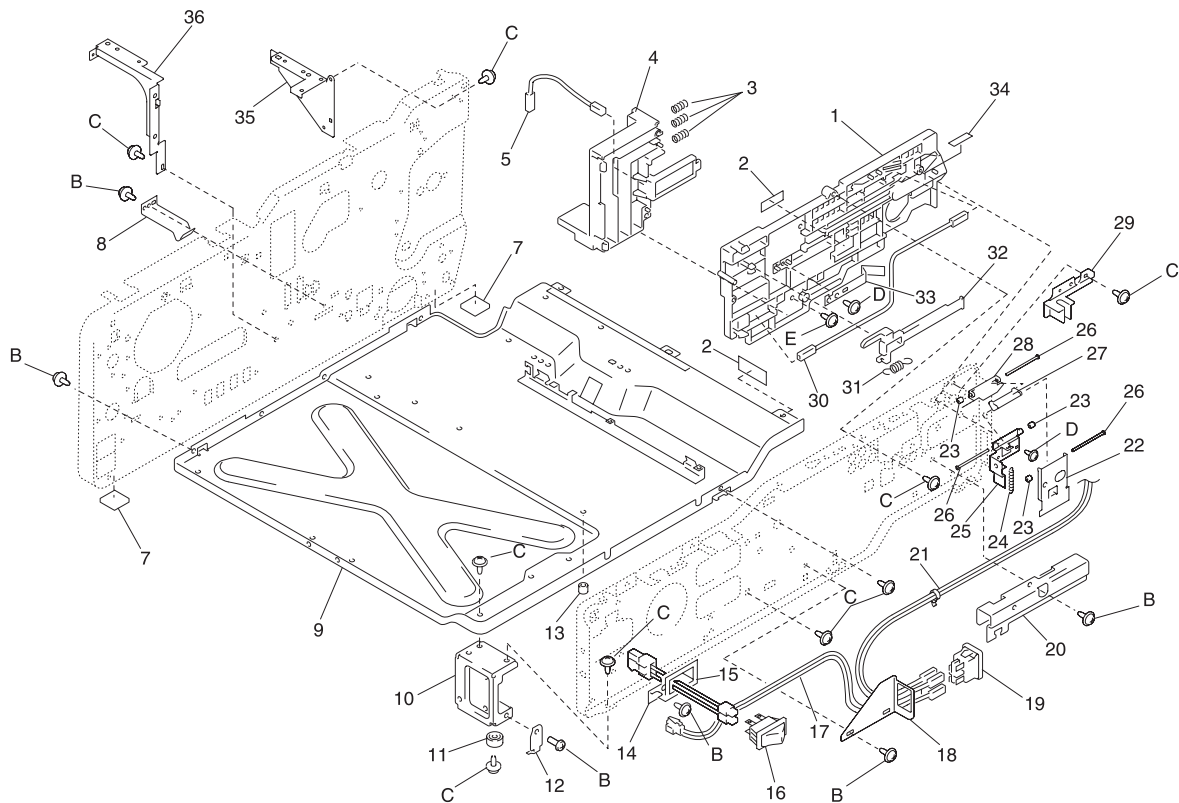
**Assembly 1: Printer Housing**

<b>Ref</b>	<b>Part Number</b>	<b>Units</b>	<b>Description</b>
1-1	12G2001	1	Cover
-2	12G2002	1	Rear Cover
-3	12G2003	1	Cover
-4	12G2004	1	Cover
-5	12G2005	1	Cover
-6	12G2006	2	Seal
-7	12G2007	1	Top Cover
-8	12G2008	1	Right Cover
-9	12G2009	1	Handle
-10	12G2010	1	Front Cover
-11	12G2011	1	Label
-12	12G2012	1	Cover
-13	12G2013	1	Shield Plate
-14	12G2014	1	Harness
-15	12G2015	1	Harness
-16	12G2016	1	Seal
-17	12G2017	1	Cover
-18	12G2018	1	Cover
-19	12G2019	1	Tray
-20	12G2020	1	Pressure Spring
-21	12G2021	1	Cover
-22	12G2022	1	Cover
-23	12G3520	1	Operator Control Panel
-C		1	Parts Packet 3, PN 12G3402
-D		1	Parts Packet 4, PN 12G3403
-E		1	Parts Packet 5, PN 12G3404
-G		1	Parts Packet 7, PN 12G3406

**Assembly 2: Printer Frames (A)**

**Assembly 2: Printer Frames (A)**

Ref	Part Number	Units	Description
2-1	12G2031	1	Holder Asm
-2	12G2032	2	Label High Voltage
-3	12G2033	3	Pressure Spring
-4	12G2034	1	Holder Asm
-5	12G2035	1	Harness
-7	12G2037	2	Rubber Foot
-8	12G2038	1	Plate Spring
-9	12G2039	1	Base Frame
-10	12G2040	1	Frame
-11	12G2041	1	Rubber Foot
-12	12G2042	4	Holder
-13	12G2043	1	Collar
-14	12G2044	1	Bracket
-15	12G2045	1	Harness
-16	12G2046	1	Switch, Power, S1 Main SW
-17	12G2047	1	Harness
-18	12G2048	1	Bracket
-19	12G2049	1	Switch, SW# Interlock S3 Right Side Door
-20	12G2050	1	Guide Plate
-21	12G2051	1	Harness
-22	12G2052	1	Lever
-23	12G2053	3	Retaining Ring
-24	12G2054	1	Tension Spring
-25	12G2055	1	Bracket
-26	12G2056	3	Shaft
-27	12G2057	1	Joint
-28	12G2058	1	Lever
-29	12G2059	1	Guide
-30	12G2060	1	Harness
-31	12G2061	1	Tension Spring
-32	12G2062	1	Lever
-33	12G2063	1	Plate Spring

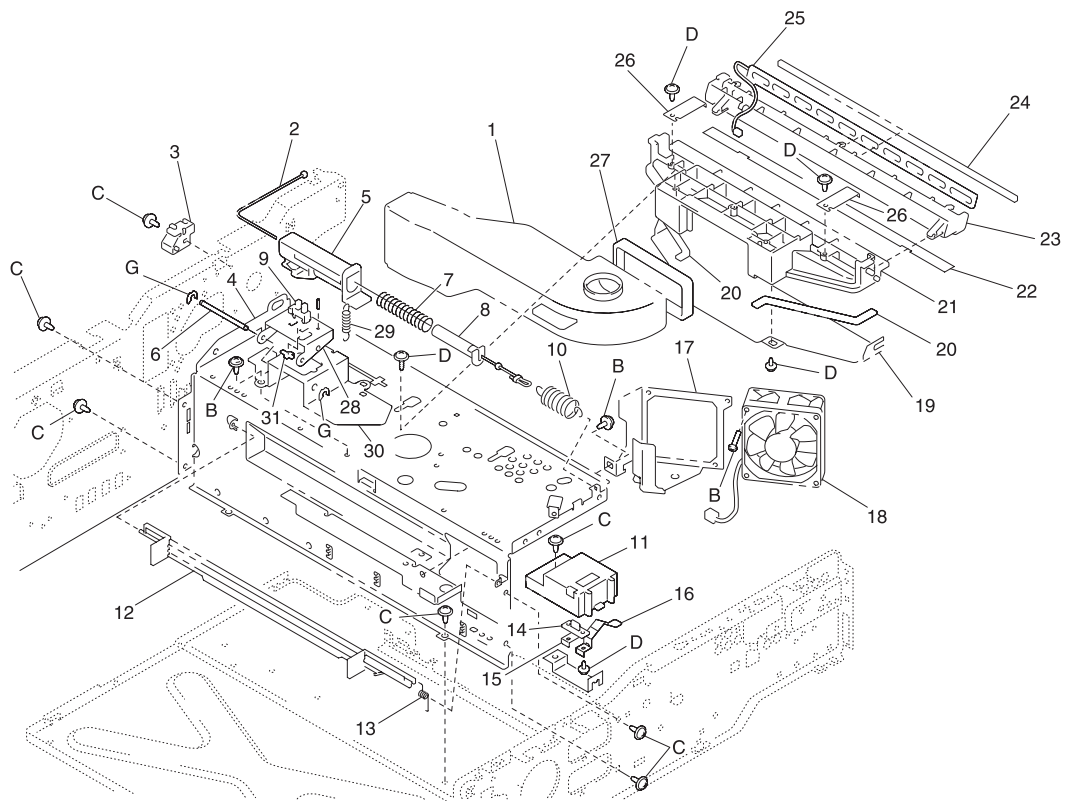
**Assembly 2 (cont.): Printer Frames (A)**



**Assembly 2 (cont.): Printer Frames (A)**

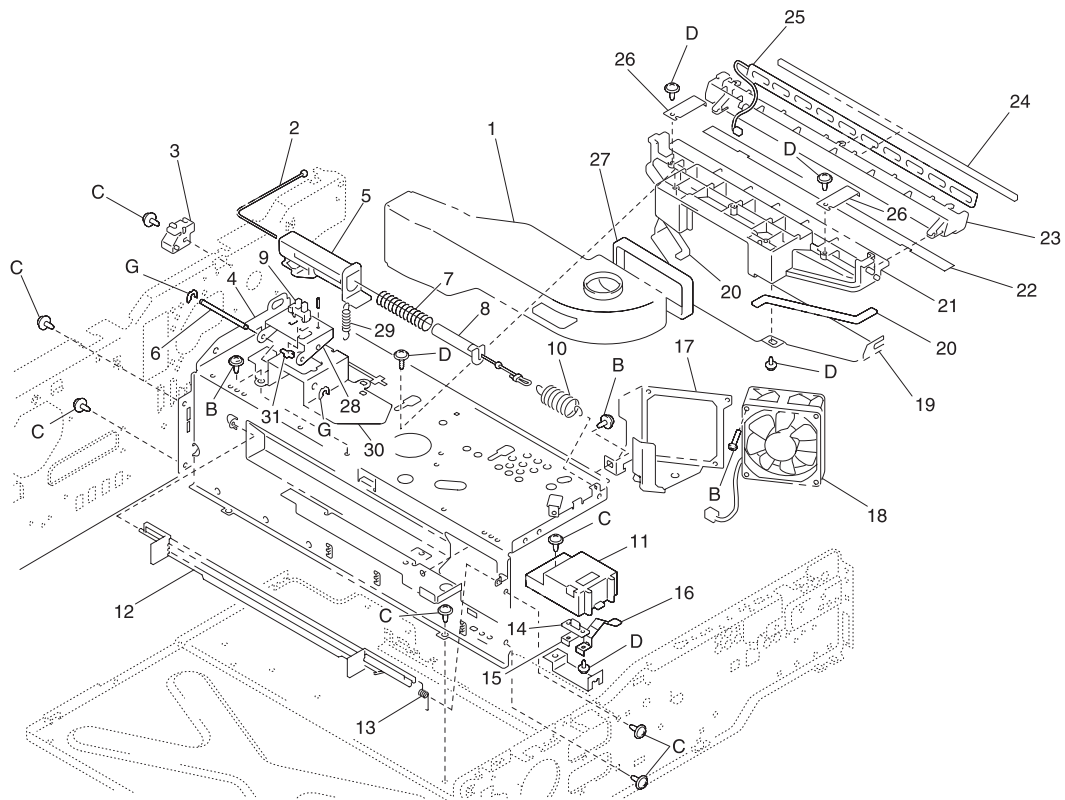
<b>Ref</b>	<b>Part Number</b>	<b>Units</b>	<b>Description</b>
2-34	12G2064	1	Label
-35	12G2065	1	Bracket
-36	12G2066	1	Bracket
-B		1	Parts Packet 2, PN 12G3401
-C		1	Parts Packet 3, PN 12G3402
-D		1	Parts Packet 4, PN 12G3403
-E		1	Parts Packet 5, PN 12G3404

## Assembly 3: Printer Frames (B)



**Assembly 3: Printer Frames (B)**

Ref	Part Number	Units	Description
3-1	12G2073	1	Duct
-2	12G2074	1	Wire, Paper Feed Door
-3	12G2075	1	Guide
-4	12G2076	1	Frame
-5	12G2077	1	Flange, Paper Feed Door
-6	12G2078	1	Shaft
-7	12G2079	1	Pressure Spring, PF Door
-8	12G2080	1	Flange, PF Door
-9	12G2081	1	Photo Interrupter, PC12 Exit Full
-10	12G2082	1	Tension Spring, PF Door
-11	12G2083	1	Holder
-12	12G2084	1	Shutter
-13	12G2085	1	Torsion Spring
-14	12G2324	1	PW Board-R, PWB-R2, Resistor Board
-15	12G2086	1	Ground Plate
-16	12G2087	1	Ground Plate
-17	12G2088	1	Bracket
-18	12G2089	1	Fan Motor, M9 Image/PC Cartridge
-19	12G2090	1	Duct
-20	12G2091	2	Seal
-21	12G2092	1	Duct
-22	12G2093	1	Seal
-23	12G2094	1	Holder
-24	12G2095	1	Seal
-25	12G2096	1	Lamp, Erase (LA1)
-26	12G2097	2	Plate Spring
-27	12G2098	1	Seal
-28	12G2099	1	Bracket
-29	12G2100	1	Tension Spring
-30	12G2101	1	Bracket
-31	12G2102	1	Stopper

**Assembly 3 (cont.): Printer Frames (B)**

**Assembly 3 (cont.): Printer Frames (B)**

<b>Ref</b>	<b>Part Number</b>	<b>Units</b>	<b>Description</b>
3-B		1	Parts Packet 2, PN 12G3401
-C		1	Parts Packet 3, PN 12G3402
-D		1	Parts Packet 4, PN 12G3403
-G		1	Parts Packet 7, PN 12G3406



**Assembly 4: Printer Hopper**

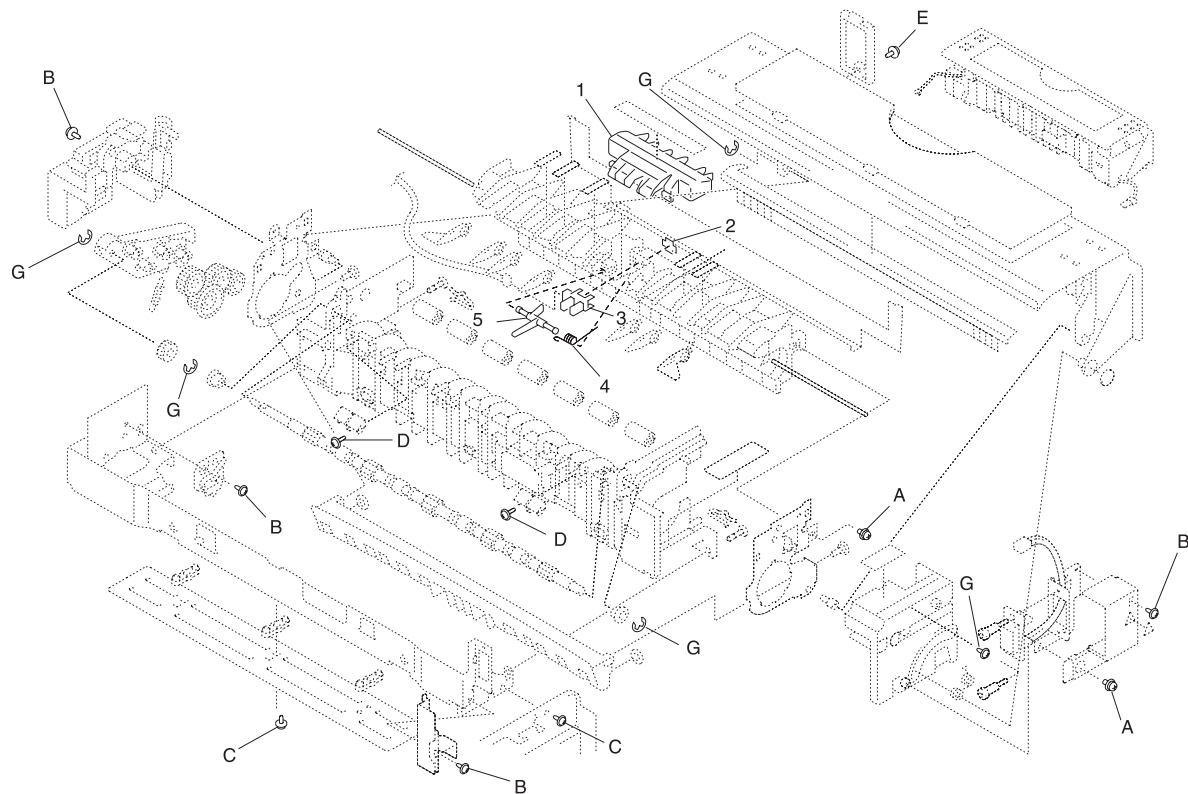
Ref	Part Number	Units	Description
4-1	12G2105	1	Cushion
-2	12G2106	1	Cover
-3	12G2107	1	Guide
-4	12G2108	1	Detecting Plate
-5	12G2109	1	Magnet
-6	12G2110	1	Scraper Plate
-7	12G2111	2	Bushing
-8	12G2112	1	Gear 29t
-9	12G2113	1	Gear 37t
-10	12G2114	1	Lever
-11	12G2115	1	Gear 26t
-12	12G2116	1	Duct
-13	12G2089	1	Fan Motor, M8 Ozone
-14	12G2117	1	Cover
-15	12G3425	1	Transfer Ozone BM (includes ozone filter and transfer unit)
-16	12G2119	1	Screw
-17	12G2120	1	Set Plate
-18	12G2121	1	Gear 39t
-19	12G2122	1	Gear 45t
-20	12G2123	1	Housing
-21	12G2124	2	Bushing
-22	12G2125	2	Gear 20t
-23	12G2126	2	Shaft
-24	12G2127	2	Worm Gear
-25	12G2128	1	Bracket
-26	12G2129	1	PWB-Motor, M7(sub-hopper), M6(main hopper)
-27	12G2130	2	Gear 24t
-28	12G2131	1	Bushing
-29	12G2132	1	Gear 30t
-30	12G2133	1	Holder
-31	12G2134	1	Shoulder Screw
-32	12G2135	1	Spiral Roller





**Assembly 4 (cont.): Printer Hopper**

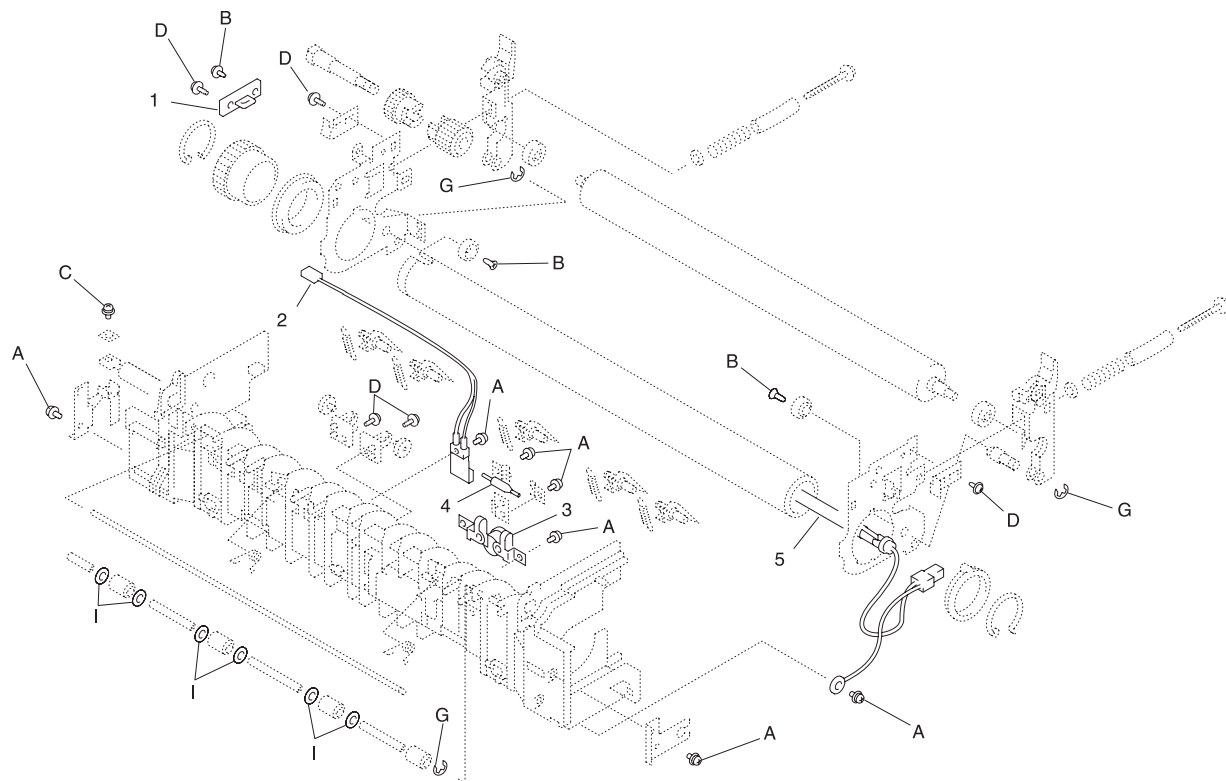
Ref	Part Number	Units	Description
4-33	12G2136	1	Duct
-34	12G2137	1	Actuator
-35	12G2102	1	Stopper
-36	12G2138	1	Bracket
-37	12G2081	1	Photo Interrupter, PC10 Bottle Cover
-38	12G2139	1	Spiral Roller
-39	12G2140	1	Duct
-40	12G2141	1	Pressure Spring
-41	12G2142	1	Shutter
-42	12G2143	1	Seal
-43	12G2144	1	PWB-Motor, M10 Agitating Motor
-44	12G2145	1	Mounting Plate
-45	12G2146	1	Gear 16/20t
-46	12G2147	1	Gear 16/60t
-47	12G2148	1	Gear 25t
-48	12G2149	1	Housing
-49	12G2150	1	Terminal, Cover A Toner Box
-50	12G2151	1	Terminal, Cover A Toner Box
-51	12G2152	1	Shaft
-52	12G2153	1	Lever
-53	12G2154	1	Lock Lever
-54	12G2155	1	Seal
-55	12G2156	1	Durm
-56	12G2157	2	Holder
-57	12G2158	1	Bushing
-58	12G2159	1	Torsion Spring
-59	12G2160	1	Lock Lever
-60	12G2161	1	Plate Nut
-61	12G2162	1	Switch, SW4 Toner Empty
-A		1	Parts Packet 1, PN 12G3400
-D		1	Parts Packet 4, PN 12G3403
-G		1	Parts Packet 7, PN 12G3406

**Assembly 5: Printer Fuser (A)**

**Assembly 5: Printer Fuser (A)**

Ref	Part Number	Units	Description
5-1	12G2169	1	Cover
-2	12G2173	1	Stopper
-3	12G2081	1	Photo Interrupter, PC3 Paper Exit
-4	12G2175	1	Torsion Spring
-5	12G2176	1	Actuator
NS	12G2221	1	Fusing Unit, 110V
NS	12G2222	1	Fusing Unit, 220V
-A		1	Parts Packet 1, PN 12G3400
-B		1	Parts Packet 2 PN 12G3401
-C		1	Parts Packet 3 PN 12G3402
-D		1	Parts Packet 4 PN 12G3403
-E		1	Parts Packet 5 PN 12G3404
-G		1	Parts Packet 7 PN 12G3406
<b>Note:</b> Illustrated parts that do not have a callout are for reference only.			

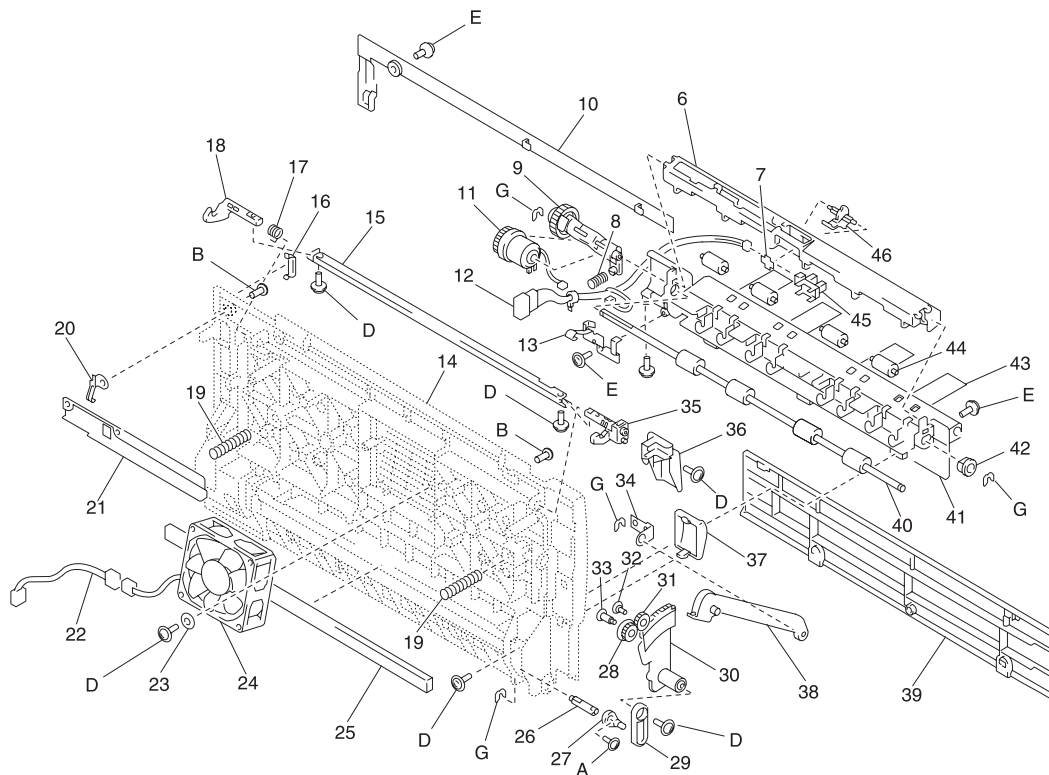
## Assembly 6: Printer Fuser (B)



**Assembly 6: Printer Fuser (B)**

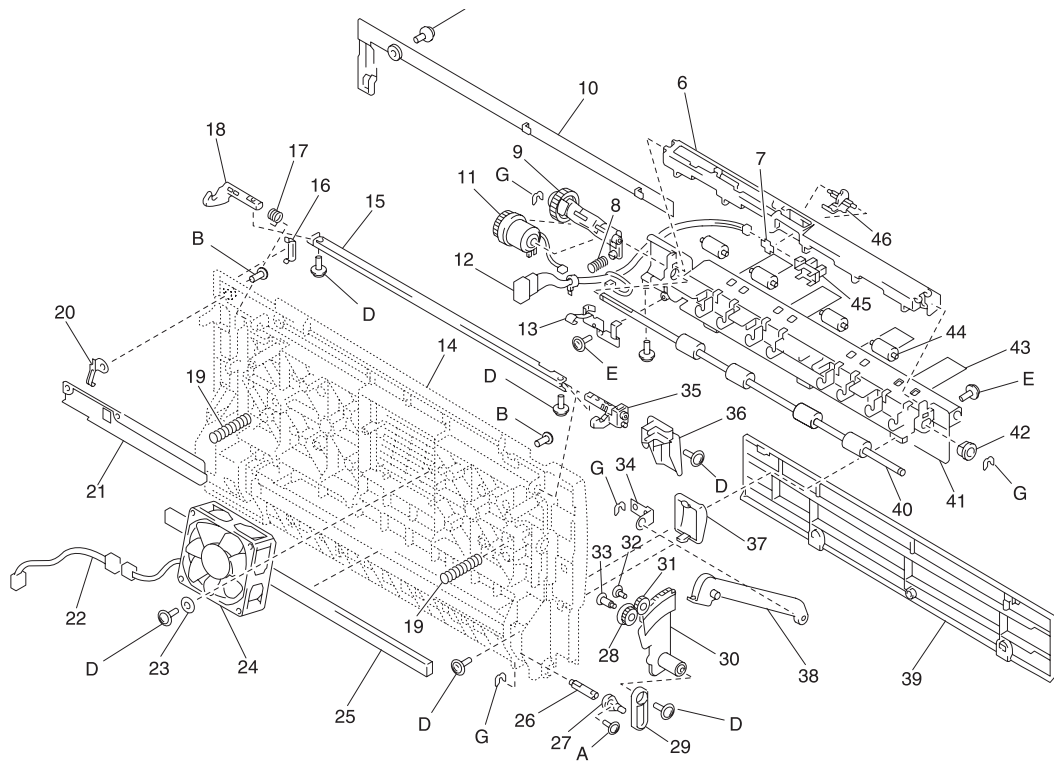
Ref	Part Number	Units	Description
6-1	12G2238	1	PW Board-R1, Fuser Frame Resistor Board
-2	12G2242	1	Thermistor, TH2
-3	12G2255	1	Thermostat, TS1
-4	12G2256	1	Thermal Fuse, TF1
-5	12G2262	1	Heater, 110V
-5	12G2263	1	Heater, 220V
-A		1	Parts Packet 1, PN 12G3400
-B		1	Parts Packet 2, PN 12G3401
-C		1	Parts Packet 3 PN 12G3402
-D		1	Parts Packet 4, PN 12G3403
-G		1	Parts Packet 7, PN 12G3406
-I		1	Parts Packet 9, PN 12G3408
<b>Note:</b> Illustrated parts that do not have a callout are for reference only.			

# Assembly 7: Printer Manual Feed



**Assembly 7: Printer Manual Feed**

Ref	Part Number	Units	Description
7-1	N/A		
-2	N/A		
-3	N/A		
-4	N/A		
-5	N/A		
-6	12G2281	1	Cover
-7	12G2173	1	Stopper
-8	12G2282	1	Pressure Spring
-9	12G2283	1	Lever Asm
-10	12G2284	1	Cover
-11	12G2285	1	Clutch, CL3 Manual Feed
-12	12G2286	1	Harness
-13	12G2287	1	Ground Plate
-14	12G2288	1	Cover Asm
-15	12G2289	1	Lock Plate
-16	12G2021	1	Cover
-17	12G2290	1	Torsion Spring
-18	12G2291	1	Hook
-19	12G2292	2	Pressure Spring
-20	12G2293	1	Ground Plate
-21	12G2294	1	Bracket
-22	12G2295	1	Harness
-23	12G2296	2	Washer
-24	12G2089	1	Fan Motor, M3 Cooling
-25	12G2297	1	Cushion
-26	12G2298	1	Shaft
-27	12G2299	1	Joint
-28	12G2300	1	Gear 14t
-29	12G2301	1	Lever
-30	12G2302	1	Lever
-31	12G2303	1	Gear 14t
-32	12G2304	1	Shoulder Screw

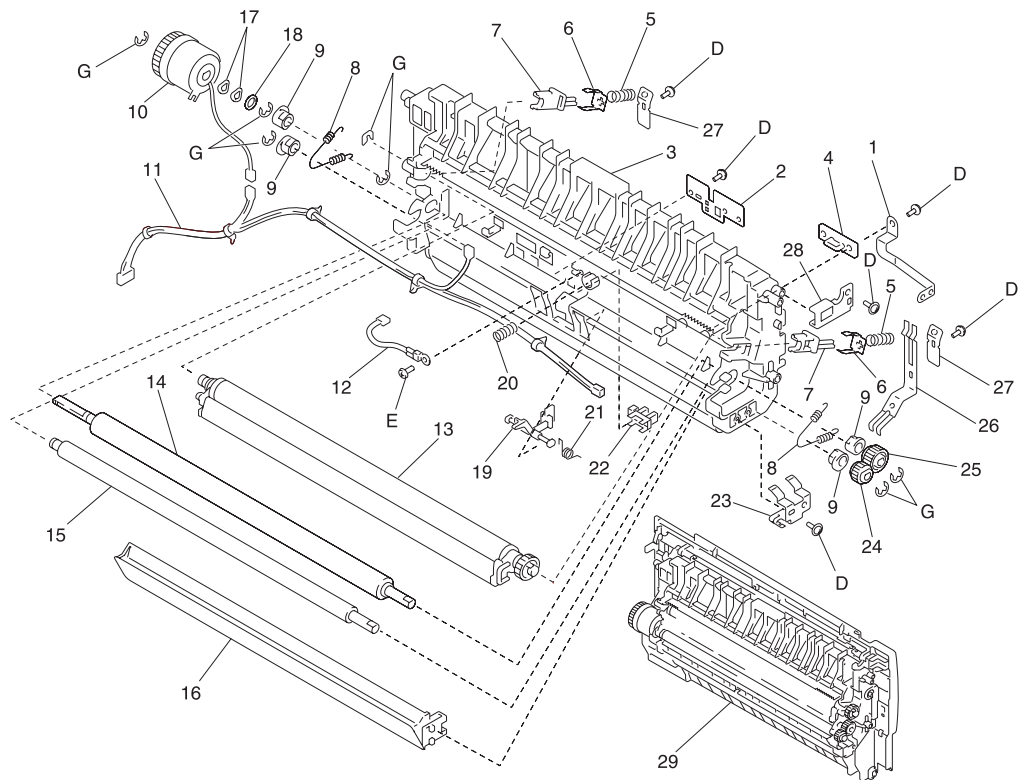
**Assembly 7 (cont.): Printer Manual Feed**



**Assembly 7 (cont.): Printer Manual Feed**

<b>Ref</b>	<b>Part Number</b>	<b>Units</b>	<b>Description</b>
7-33	12G2305	1	Shoulder Screw
-34	12G2306	1	Bracket
-35	12G2307	1	Hook
-36	12G2308	1	Lock Release Lever
-37	12G2309	1	Cover
-38	12G2310	1	Lever
-39	12G2311	1	Cover
-40	12G2312	1	Roller
-41	12G2313	1	Guide
-42	12G2190	1	Bushing
-43	12G2314	4	Guide Bar
-44	12G2315	4	Roll
-45	12G2081	1	Photo Interrupter, PC8 Manual Feed
-46	12G2316	1	Actuator
-A		1	Parts Packet 1, PN 12G3400
-B		1	Parts Packet 2, PN 12G3401
-D		1	Parts Packet 4, PN 12G3403
-E		1	Parts Packet 5, PN 12G3404
-G		1	Parts Packet 7, PN 12G3406

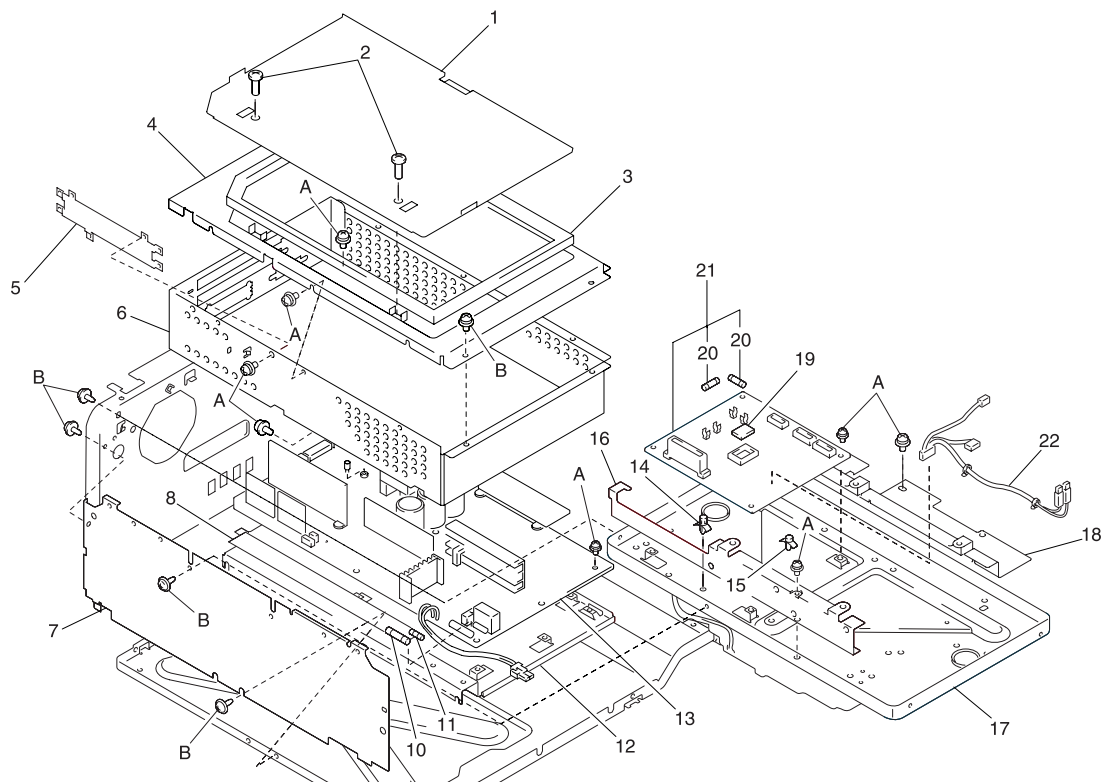
# Assembly 8: Printer Transport



**Assembly 8: Printer Transport**

Ref	Part Number	Units	Description
8-1	12G2321	1	Terminal
-2	12G2322	1	Bracket
-3	12G2323	1	Holder Asm
-4	12G2324	1	PWB-R Resistor Board
-5	12G2325	2	Pressure Spring
-6	12G2326	2	Plate Spring
-7	12G2327	2	Bushing
-8	12G2328	2	Tension Spring
-9	12G2329	4	Bushing
-10	12G2330	1	Clutch, CL1 Transport
-11	12G2331	1	Harness
-12	12G2332	1	Thermistor, TH1 Image/PC Cartridge
-13	12G3425	1	Transfer Ozone BM (includes transfer unit and ozone filter)
-14	12G2334	1	Conveyor Roller
-15	12G2335	1	Conveyor Roller
-16	12G2336	1	Cleaning Pad Asm
-17	12G2337	2	Wave Washer
-18	12G2338	1	Washer
-19	12G2339	1	Actuator
-20	12G2340	1	Pressure Spring
-21	12G2341	1	Torsion Spring
-22	12G2081	1	Photo Interrupter, PC2 Timing
-23	12G2342	1	Ground Plate
-24	12G2343	1	Gear 13t
-25	12G2344	1	Gear 18t
-26	12G2345	1	Terminal
-27	12G2346	2	Ground Plate
-28	12G2347	1	Holder
-29	12G2348	1	Transport Unit
-D		1	Parts Packet 4, PN 12G3403
-E		1	Parts Packet 5, PN 12G3404
-G		1	Parts Packet 7, PN 12G3406

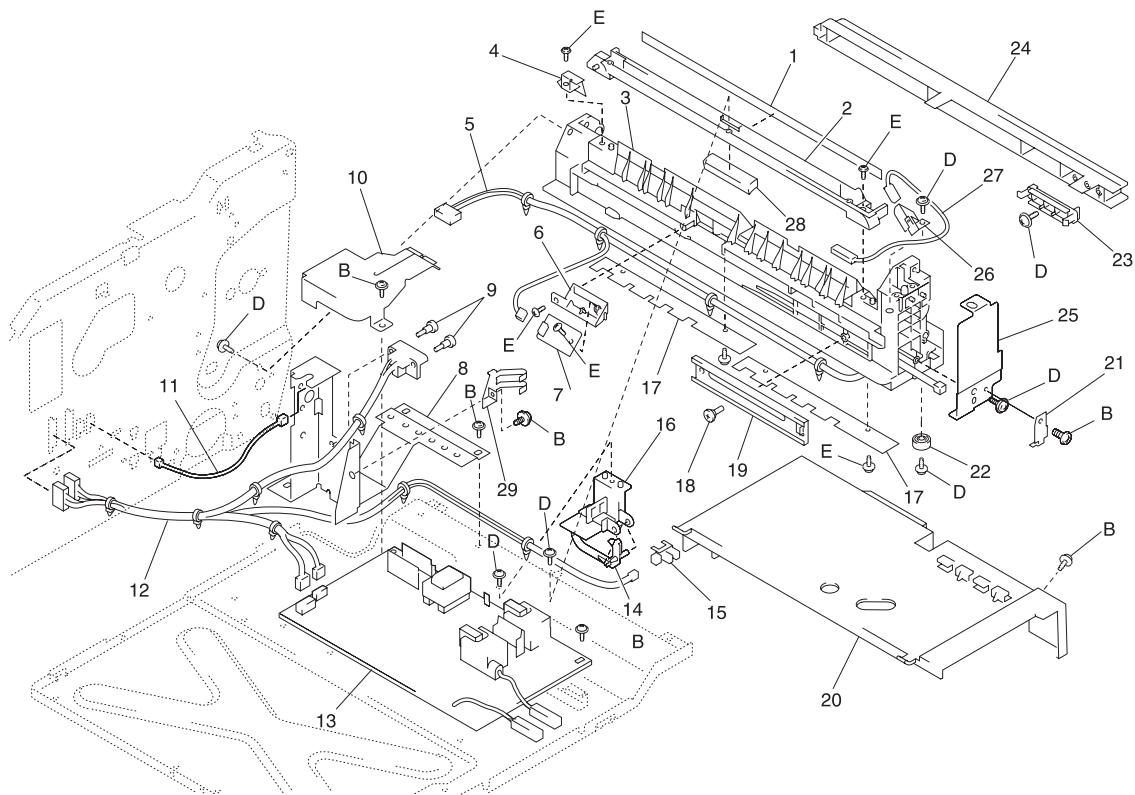
## Assembly 9: Printer Electrical Components



## Assembly 9: Printer Electrical Components

Ref	Part Number	Units	Description
9-1	12G2351	1	Lid
-2	12G2352	2	Shoulder Screw
-3	12G2353	1	Shield
-4	12G2354	1	Cover
-5	12G2355	1	Bracket
-6	12G2356	1	Shield Box
-7	12G2357	1	Reinforce Plate
-8	12G2358	1	Label Caution
-9	12G2359	1	Fuse 3.15A
-10	12G2360	1	Fuse 15A
-10	12G2361	1	Fuse 8A
-11	12G2362	1	Fuse 10A
-11	12G2363	1	Fuse 6.3A
-12	12G2364	1	Bracket
-13	12G2365	1	Power Supply, 110V, PU1
-13	12G2366	1	Power Supply, 220V, PU1—below SN 1W856776
-13	12G3457	1	Power Supply, 220V, PU1—above SN 1W856776
NS	12G3456	1	Power Supply Resistor, 220V—above SN 1W856776
-14	12G2367	2	PWB Support 6.4h
-15	12G2368	1	PWB Support
-16	12G2369	1	Bracket
-17	12G2370	1	Printhead Asm
-18	12G2371	1	Bracket
-19		1	IC, PWB-A <b>Note:</b> Included on PWB-A board only. Order 12G2374.
-20	12G2373	2	Fuse 3A
-21	12G2374	1	PWB-A, Printer Main Engine Board, 110V—all printers; 220V— below SN 1W856776
-21	12G3458	1	PWB-A, Printer Main Engine Board, 220V—above SN 1W856776
-22	12G2375	1	Harness
-A		1	Parts Packet 1, PN 12G3400
-B		1	Parts Packet 2, PN 12G3401

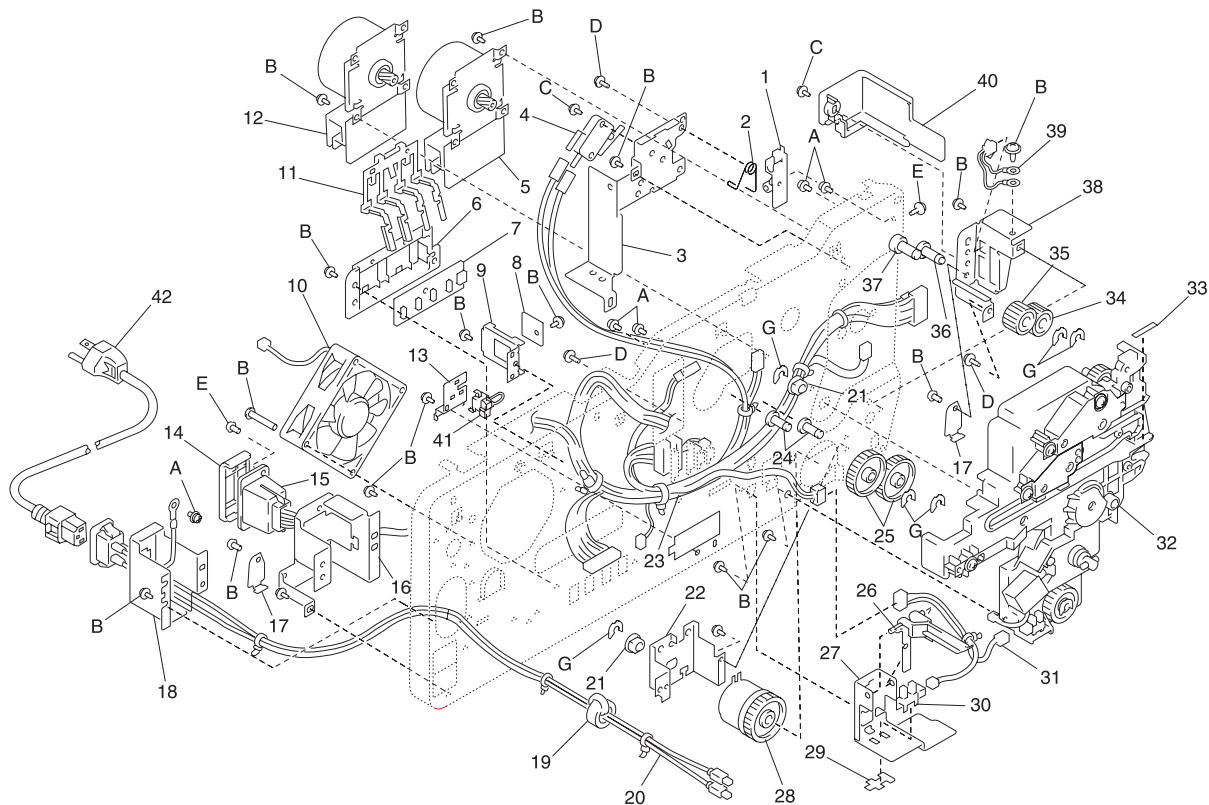
# Assembly 10: Printer Paper Take-up



**Assembly 10: Printer Paper Take-up**

<b>Ref</b>	<b>Part Number</b>	<b>Units</b>	<b>Description</b>
10-1	12G2377	1	Polyester Film
-2	12G2378	1	Guide Bar
-3	12G2379	1	Rail
-4	12G2380	1	Ground Plate
-5	12G2381	1	Harness
-6	12G2382	1	Holder
-7	12G2383	1	PWB-H Humidity Board
-8	12G2384	1	Bracket
-9	12G2385	2	Shoulder Screw
-10	12G2386	1	Bracket
-11	12G2387	1	Harness
-12	12G2388	1	Harness
-13	12G2389	1	PWB-HV1, High Voltage Power Supply
-14	12G2390	1	Actuator
-15	12G2081	1	Photo Interrupter, PC4 Empty
-16	12G2391	1	Cover
-17	12G2392	2	Cover
-18	12G2393	1	Shoulder Screw
-19	12G2394	1	Rail
-20	12G2395	1	Cover
-21	12G2042	1	Holder
-22	12G2041	1	Rubber Foot
-23	12G2396	1	Lever
-24	12G2397	1	Cover
-25	12G2398	1	Bracket
-26	12G2399	1	Terminal
-27	12G2400	1	Harness
-28	12G2401	1	Pad
-29	12G2402	1	Ground Plate
-B		1	Parts Packet 2, PN 12G3401
-D		1	Parts Packet 4, PN 12G3403
-E		1	Parts Packet 5, PN 12G3404

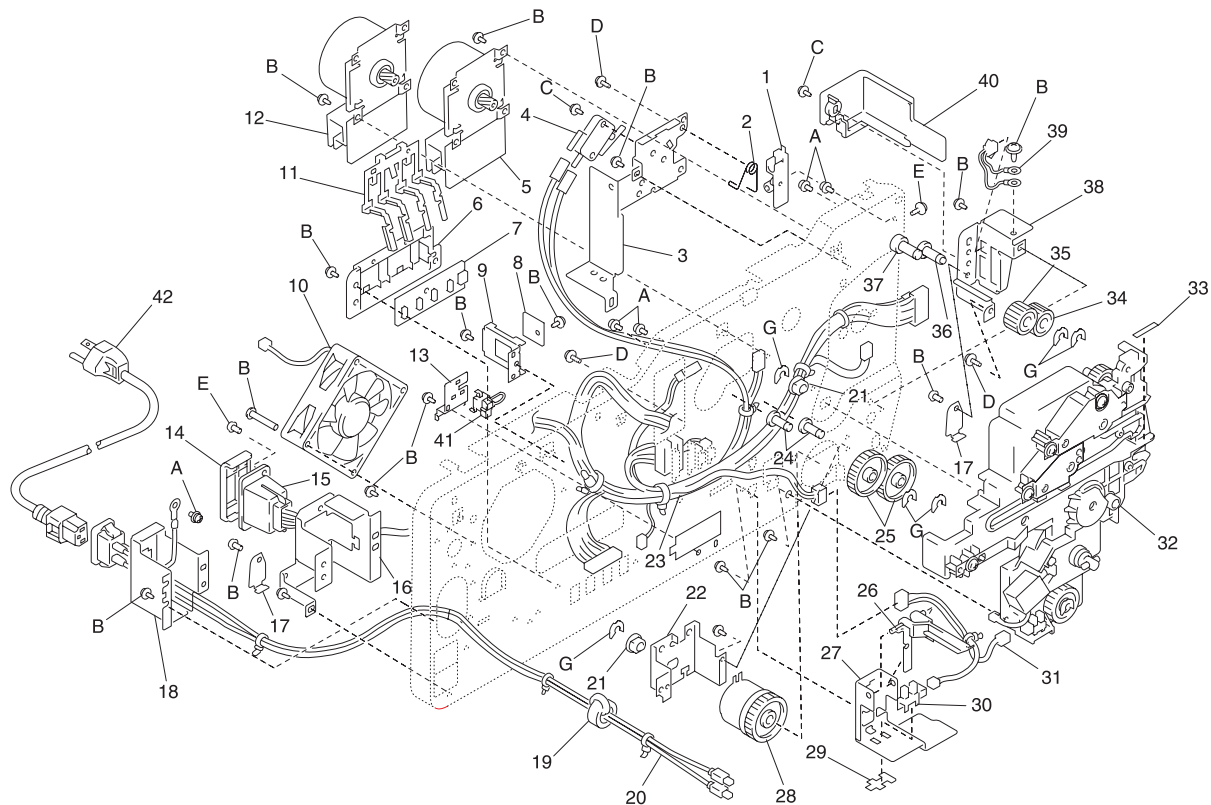
# Assembly 11: Printer Drive





**Assembly 11: Printer Drive**

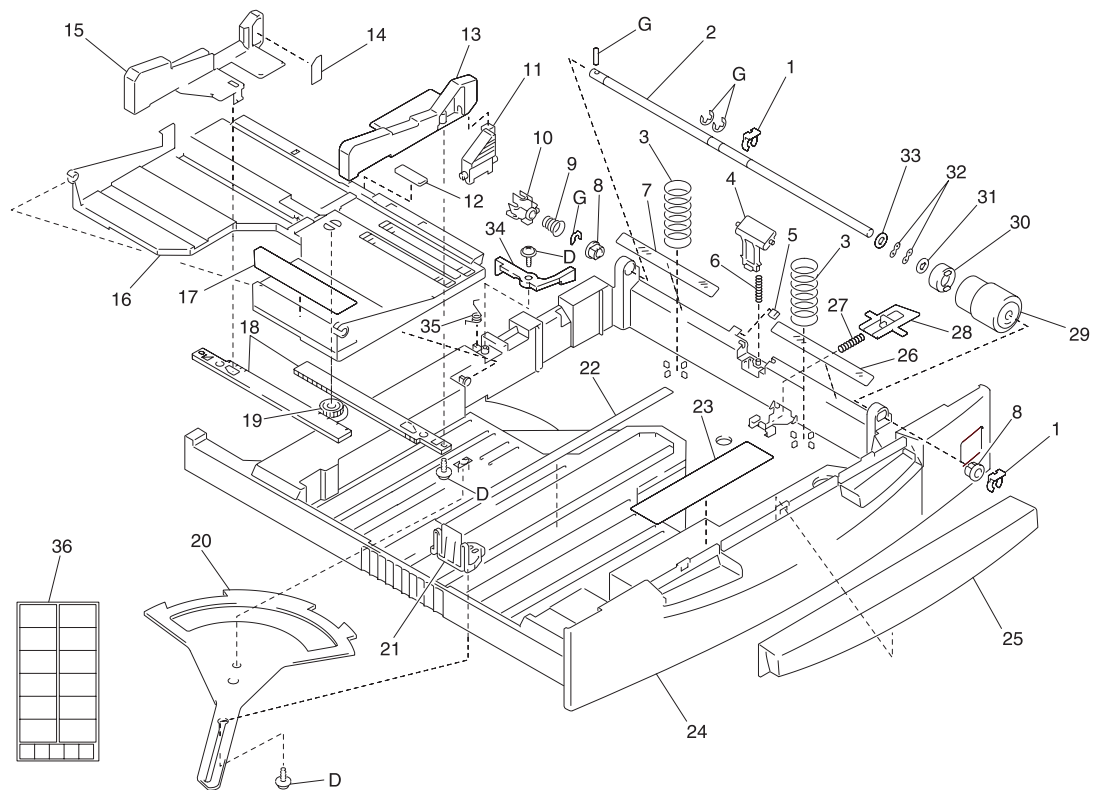
<b>Ref</b>	<b>Part Number</b>	<b>Units</b>	<b>Description</b>
11-1	12G2404	1	Guide
-2	12G2405	1	Torsion Spring
-3	12G2406	1	Bracket
-4	12G2407	1	Micro Switch, S2 Right Side Door
-5	12G2408	1	Motor, M2 Transport Drive
-6	12G2409	1	Holder
-7	12G2410	1	PWB-I, Paper Size Board
-8	12G2411	1	CPM Switch Board, PWB-L
-9	12G2412	1	Bracket
-10	12G2413	1	Fan Motor, M4 Power Unit Cooling
-11	12G2414	1	Lever
-12	12G2415	1	Motor, M1 Image/PC Cartridge
-13	12G2416	1	Bracket
-14	12G2417	1	Cover
-15	12G2418	1	Harness
-16	12G2419	1	Bracket
-17	12G2042	2	Holder
-18	12G2420	1	Bracket
-19	12G2421	1	Ferrite Core
-20	12G2422	1	Harness
-21	12G2423	2	Bushing
-22	12G2424	1	Bracket
-23	12G2425	1	Harness
-24	12G2426	2	Pin
-25	12G2427	2	Gear 34t
-26	12G2428	1	Lever
-27	12G2429	1	Bracket
-28	12G2430	1	Clutch, CL2 Transport
-29	12G2431	1	Cover
-30	12G2081	1	Photo Interrupter, PC5 Near Empty
-31	12G2432	1	Harness
-32	12G2433	1	Drive Unit
-33	12G2434	1	Label

**Assembly 11 (cont.): Printer Drive**

**Assembly 11 (cont.): Printer Drive**

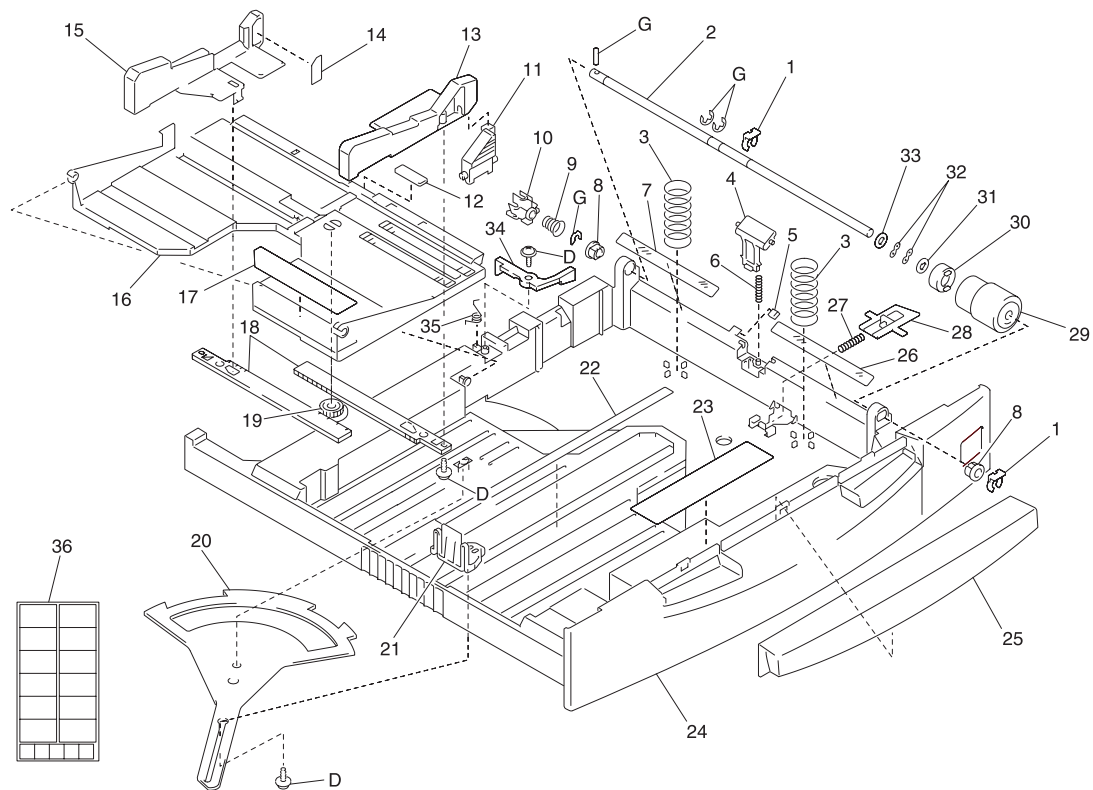
Ref	Part Number	Units	Description
11-34	12G2435	1	Gear 20t
-35	12G2436	1	Gear 18t
-36	12G2437	1	Shaft
-37	12G2438	1	Shaft
-38	12G2439	1	Bracket
-39	12G2440	1	Harness
-40	12G2441	1	Cover
-41	12G2442	1	Switch, S5 Size
-42	11D0328	1	Power Cord, U.S, Canada, APG (LV), LAD (LV)
-42	11D0333	1	Power Cord, Denmark
-42	11D0334	1	Power Cord, Europe, England
-42	11D0334	1	Power Cord, France
-42	11D0334	1	Power Cord, Germany
-42	11D0335	1	Power Cord, Italy
-42	11D0334	1	Power Cord, Spain
-42	11D0336	1	Power Cord, Swiss/French
-42	11D0336	1	Power Cord, Swiss/German
-42	11D0336	1	Power Cord, Swiss/Italian
-42	11D0337	1	Power Cord, U.K.
-42	11D0338	1	Power Cord, Israel
-42	11D0339	1	Power Cord, South Africa
-42	11D0334	1	Power Cord, Belgium
-42	11D0330	1	Power Cord, Argentina
-42	11D0331	1	Power Cord, Brazil
-42	11D0332	1	Power Cord, Chile
-42	11D0329	1	Power Cord, Peru
-A		1	Parts Packet 1, PN 12G3400
-B		1	Parts Packet 2, PN 12G3401
-C		1	Parts Packet 3, PN 12G3402
-D		1	Parts Packet 4, PN 12G3403
-E		1	Parts Packet 5, PN 12G3404
-G		1	Parts Packet 7, PN 12G3406

# Assembly 12: Printer Paper Tray



**Assembly 12: Printer Paper Tray**

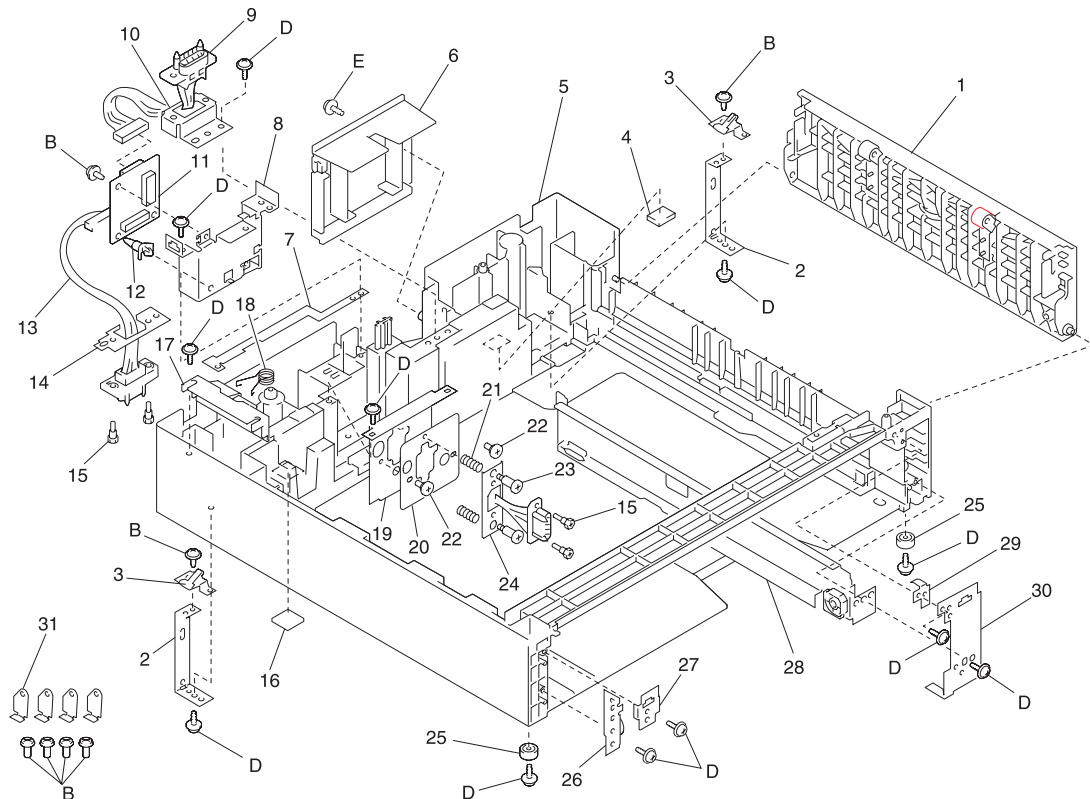
<b>Ref</b>	<b>Part Number</b>	<b>Units</b>	<b>Description</b>
12-1	12G2447	2	Stopper Ring
-2	12G2448	1	Shaft
-3	12G2449	2	Pressure Spring
-4	12G2450	1	Separator, Paper
-5	12G2451	1	Cleaning Pad
-6	12G2452	1	Pressure Spring
-7	12G2453	1	Polyester Film
-8	12G2454	2	Bushing
-9	12G2455	1	Pressure Spring
-10	12G2456	1	Joint
-11	12G2457	1	Lock Lever
-12	12G2458	1	Friction Sheet
-13	12G2459	1	Regulating Plate
-14	12G2460	1	Label Max Level
-15	12G2461	1	Regulating Plate
-16	12G2462	1	Lifting Plate
-17	12G2463	1	Width Scale
-18	12G2464	2	Rack Gear
-19	12G2465	1	Gear 20t
-20	12G2466	1	Lever
-21	12G2467	1	Regulating Plate
-22	12G2468	1	Length Scale
-23	12G2469	1	Label Paper Loading
-24	12G2470	1	Cassette Body
-25	12G2621	1	Handle
-26	12G2472	1	Polyester Film
-27	12G2473	1	Pressure Spring
-28	12G2474	1	Lock Lever
-29	12G2475	1	Roll, Paper Pickup
-30	12G2476	1	Weight
-31	12G2477	1	Washer
-32	12G2337	2	Wave Washer
-33	12G2478	1	Washer

**Assembly 12 (cont.): Printer Paper Tray**

**Assembly 12 (cont.): Printer Paper Tray**

<b>Ref</b>	<b>Part Number</b>	<b>Units</b>	<b>Description</b>
12-34	12G2479	1	Lever
-35	12G2480	1	Torsion Spring
-36	12G2481	1	Label Paper Size
-D		1	Parts Packet 4, PN 12G3403
-G		1	Parts Packet 7, PN 12G3406

# Assembly 13: 500 Sheet Unit Housing

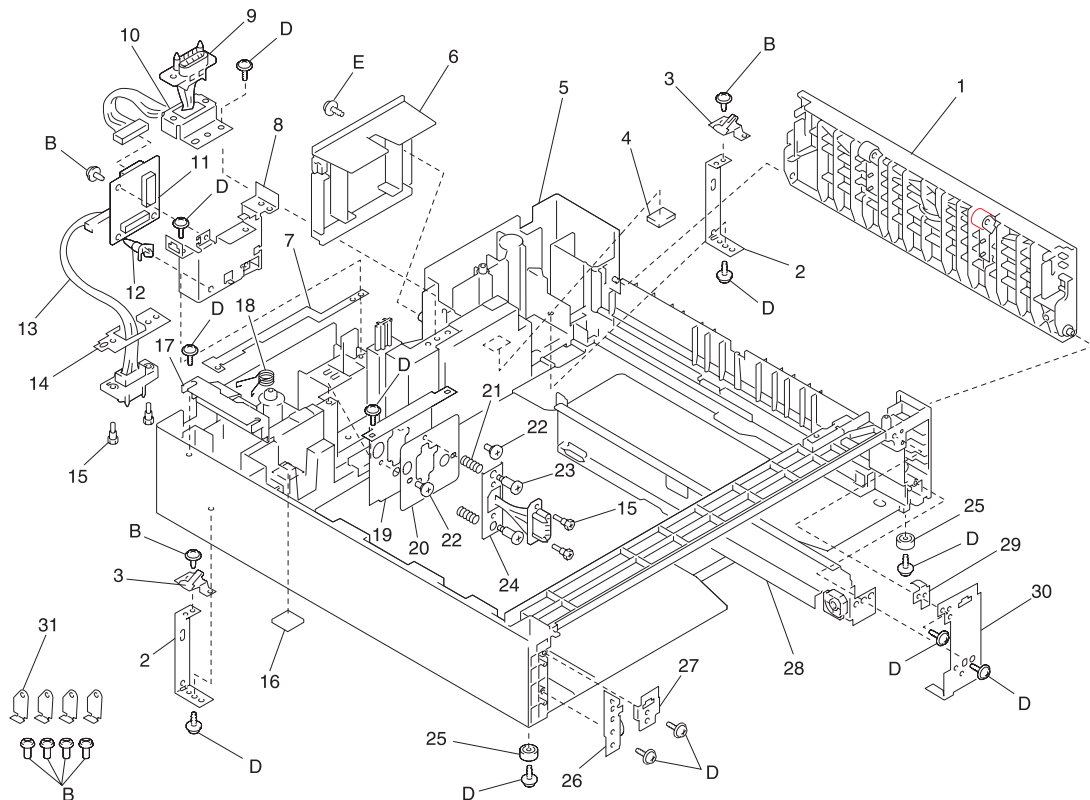




**Assembly 13: 500 Sheet Unit Housing**

Ref	Part Number	Units	Description
13-1	12G2528	1	Guide
-2	12G2529	2	Bracket
-3	12G2530	2	Plate Spring
-4	12G2531	1	Rubber Foot
-5	12G2532	1	Frame
-6	12G2533	1	Cover
-7	12G2534	1	Ground Plate
-8	12G2535	1	Bracket
-9	12G2536	1	Harness
-10	12G2537	1	Bracket
-11	12G2538	1	PWB-A, Main Controller Board
-12	12G2539	1	PWB Support 6.35h
-13	12G2540	1	Harness
-14	12G2541	1	Bracket
-15	12G2542	4	Shoulder Screw
-16	12G2543	1	Rubber Foot
-17	12G2544	1	Holder
-18	12G2545	1	Spring
-19	12G2546	1	Bracket
-20	12G2547	1	Bracket
-21	12G2548	2	Pressure Spring
-22	12G2549	2	Shoulder Screw
-23	12G2550	2	Shoulder Screw
-24	12G2551	1	Bracket
-25	12G2552	2	Rubber Foot
-26	12G2553	1	Bracket
-27	12G2554	1	Bracket
-28	12G2555	1	Rail
-29	12G2556	1	Pressure Spring
-30	12G2557	1	Bracket
-31	12G2042	4	Holder

# Assembly 13 (cont.): 500 Sheet Unit Housing

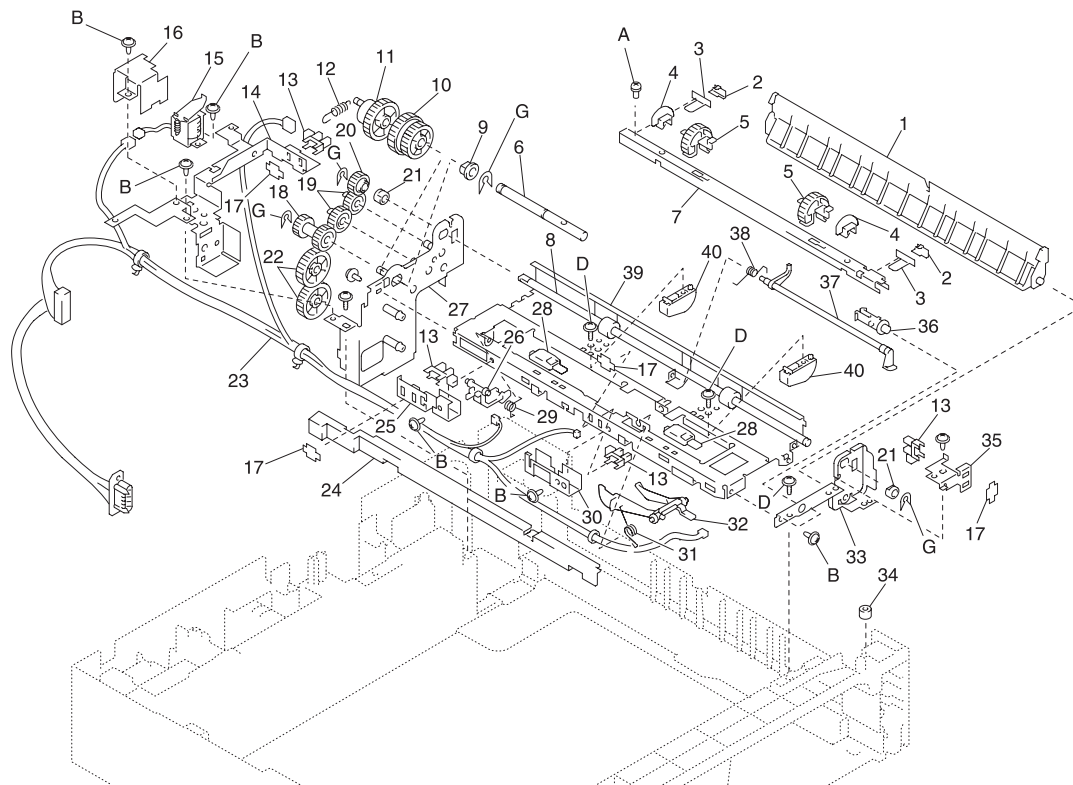


4023-001

### Assembly 13 (cont.): 500 Sheet Unit Housing

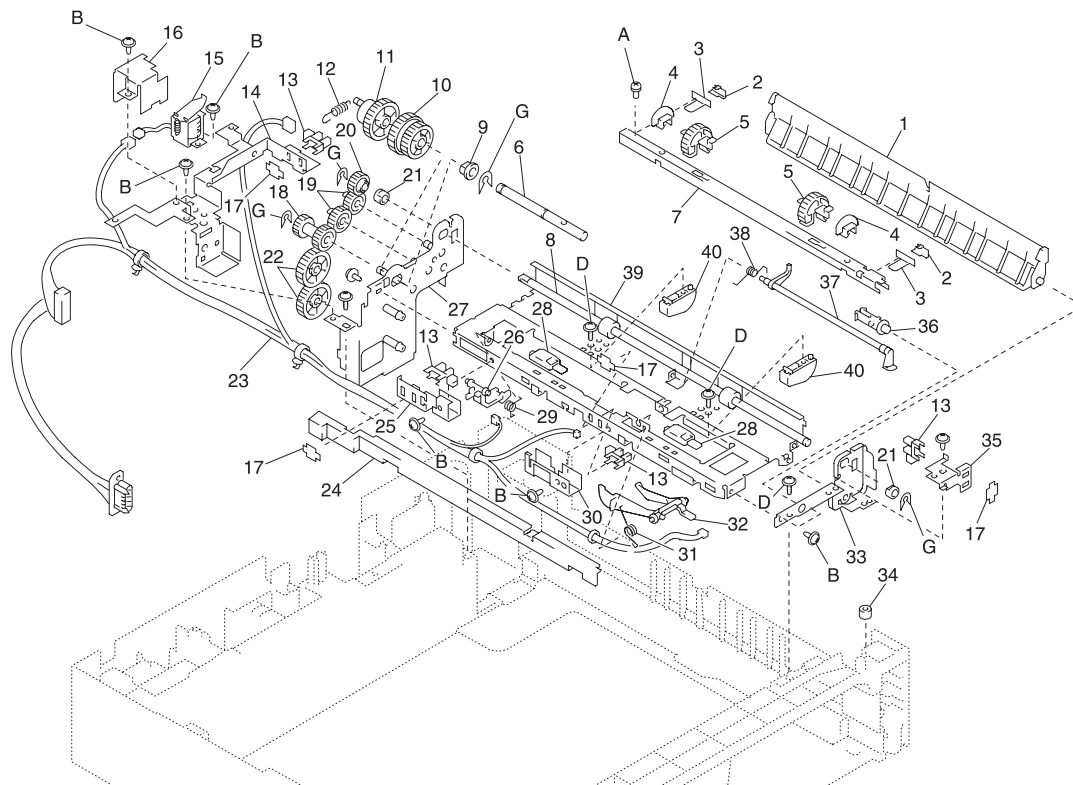
Ref	Part Number	Units	Description
13-B		1	Parts Packet 2, PN 12G3401
-D		1	Parts Packet 4, PN 12G3403
-E		1	Parts Packet 5, PN 12G3404

# Assembly 14: 500 Sheet Unit Paper Take-up



**Assembly 14: 500 Sheet Unit Paper Take-up**

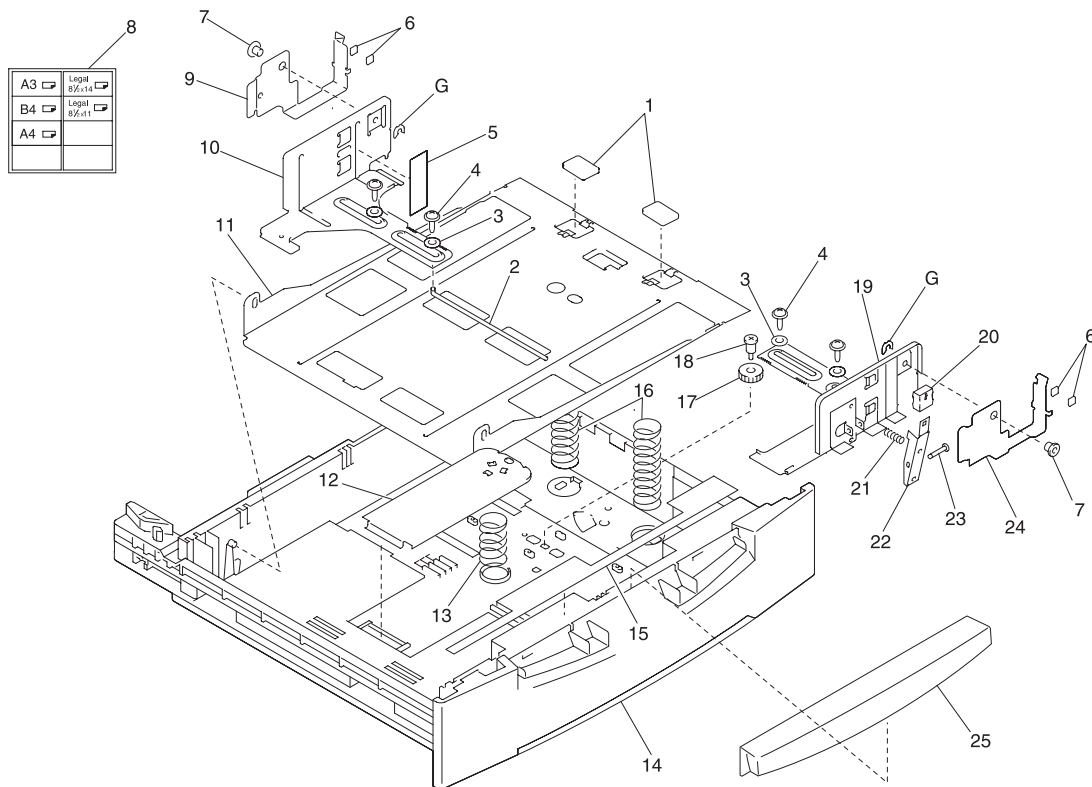
Ref	Part Number	Units	Description
14-1	12G2558	1	Guide Plate
-2	12G2559	2	Holder
-3	12G2560	2	Polyester Film
-4	12G2561	2	Collar
-5	12G2562	2	Roller, Paper Pick-up
-6	12G2563	1	Shaft
-7	12G2564	1	Axle Plate
-8	12G2565	1	Roller
-9	12G2566	1	Bushing
-10	12G2567	1	Gear 30/36t
-11	12G2568	1	Gear 31t
-12	12G2569	1	Tension Spring
-13	12G2081	4	Photo Interrupter, PC22, PC23, PC25
-14	12G2570	1	Bracket
-15	12G2571	1	Solenoid, SL1 Take-up
-16	12G2572	1	Bracket
-17	12G2173	4	Stopper
-18	12G2574	1	Gear 16/20t
-19	12G2575	2	Gear 20t
-20	12G2576	1	Gear 18t
-21	12G2577	2	Bushing
-22	12G2578	2	Gear 34t
-23	12G2579	1	Harness
-24	12G2580	1	Holder
-25	12G2581	1	Bracket
-26	12G2582	1	Lever
-27	12G2583	1	Axle Plate
-28	12G2584	2	Spacer
-29	12G2585	1	Torsion Spring
-30	12G2586	1	Bracket
-31	12G2587	1	Torsion Spring
-32	12G2588	1	Actuator
-33	12G2589	1	Bracket

**Assembly 14 (cont.): 500 Sheet Unit Paper Take-up**

**Assembly 14 (cont.): 500 Sheet Unit Paper Take-up**

<b>Ref</b>	<b>Part Number</b>	<b>Units</b>	<b>Description</b>
14-34	12G2590	1	Collar
-35	12G2591	1	Bracket
-36	12G2592	1	Shaft
-37	12G2593	1	Actuator
-38	12G2594	1	Torsion Spring
-39	12G3508	1	Guide Plate
-40	12G2596	2	Guide
-A		1	Parts Packet 1, PN 12G3400
-B		1	Parts Packet 2, PN 12G3401
-D		1	Parts Packet 4, PN 12G3403
-G		1	Parts Packet 7, PN 12G3406

# Assembly 15: 500 Sheet Unit Paper Tray Unit (A)

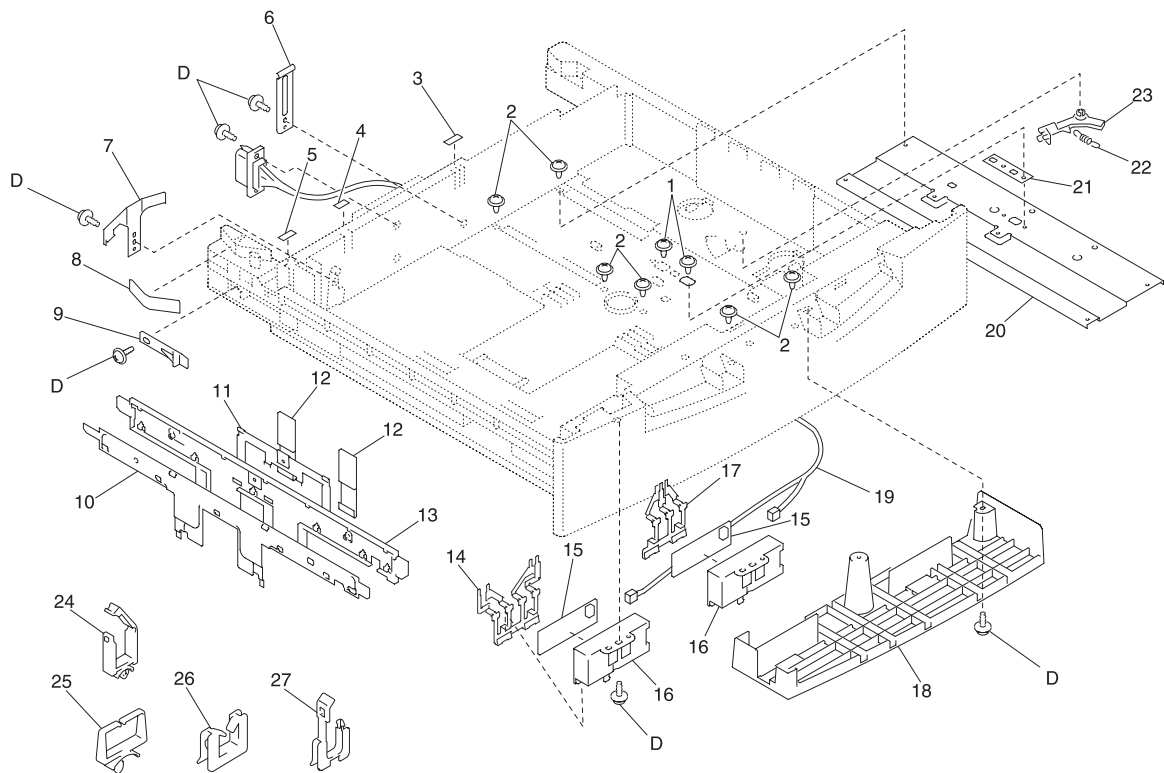




**Assembly 15: 500 Sheet Unit Paper Tray Unit (A)**

Ref	Part Number	Units	Description
15-1	12G2597	2	Cork
-2	12G2598	1	Shaft
-3	12G3371	4	Washer
-4	12G2600	4	Screw
-5	12G2601	1	Label Max Level
-6	12G3509	4	Collar
-7	12G2603	2	Hold Plate
-8	12G2604	1	Label Paper Size
-9	12G2605	1	Guide Plate
-10	12G2606	1	Regulating Plate
-11	12G2607	1	Lifting Plate
-12	12G2608	1	Lifting Plate
-13	12G2609	1	Pressure Spring
-14	12G2610	1	Cassette Body
-15	12G2611	1	Label Cassette
-16	12G2612	2	Pressure Spring
-17	12G2613	1	Gear 14t
-18	12G2614	1	Shoulder Screw
-19	12G2615	1	Regulating Plate
-20	12G2616	1	Knob
-21	12G2617	1	Pressure Spring
-22	12G2618	1	Lever
-23	12G2619	1	Shaft
-24	12G2620	1	Guide Plate
-25	12G2621	1	Handle
-G		1	Parts Packet 7, PN 12G3406

# Assembly 16: 500 Sheet Unit Paper Tray Unit (B)

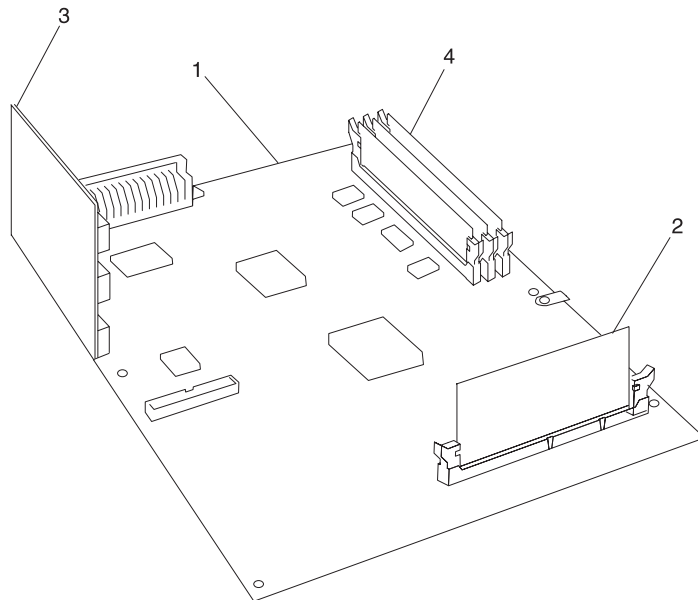


**Assembly 16: 500 Sheet Unit Paper Tray Unit (B)**

Ref	Part Number	Units	Description
16-1	12G2622	2	Screw
-2	12G2623	6	Screw
-3	12G2624	1	Label
-4	12G2625	1	Label
-5	12G2626	1	Label
-6	12G2627	1	Plate Spring
-7	12G3372	1	Plate Spring
-8	12G2629	1	Friction Sheet
-9	12G2630	1	Stopper
-10	12G2631	1	Reinforce Plate
-11	12G2632	1	Plate Spring
-12	12G2633	2	Sheet
-13	12G2634	1	Regulating Plate
-14	12G2635	1	Terminal
-15	12G2410	2	PWB-I, Paper Size Board
-16	12G2636	2	Holder
-17	12G2637	1	Terminal
-18	12G2638	1	Cover
-19	12G2639	1	Harness
-20	12G2640	1	Reinforce Plate
-21	12G2641	1	Plate
-22	12G2642	1	Tension Spring
-23	12G2643	1	Lever
-24	12G2486	1	Wiring Saddle 5.2h
-25	12G2487	2	Wiring Saddle 6.4h
-26	12G2490	9	Edge Cover 8.5h
-27	12G2491	1	Edge Cover 15.4h
-D		1	Parts Packet 4, PN 12G3403

4023-001

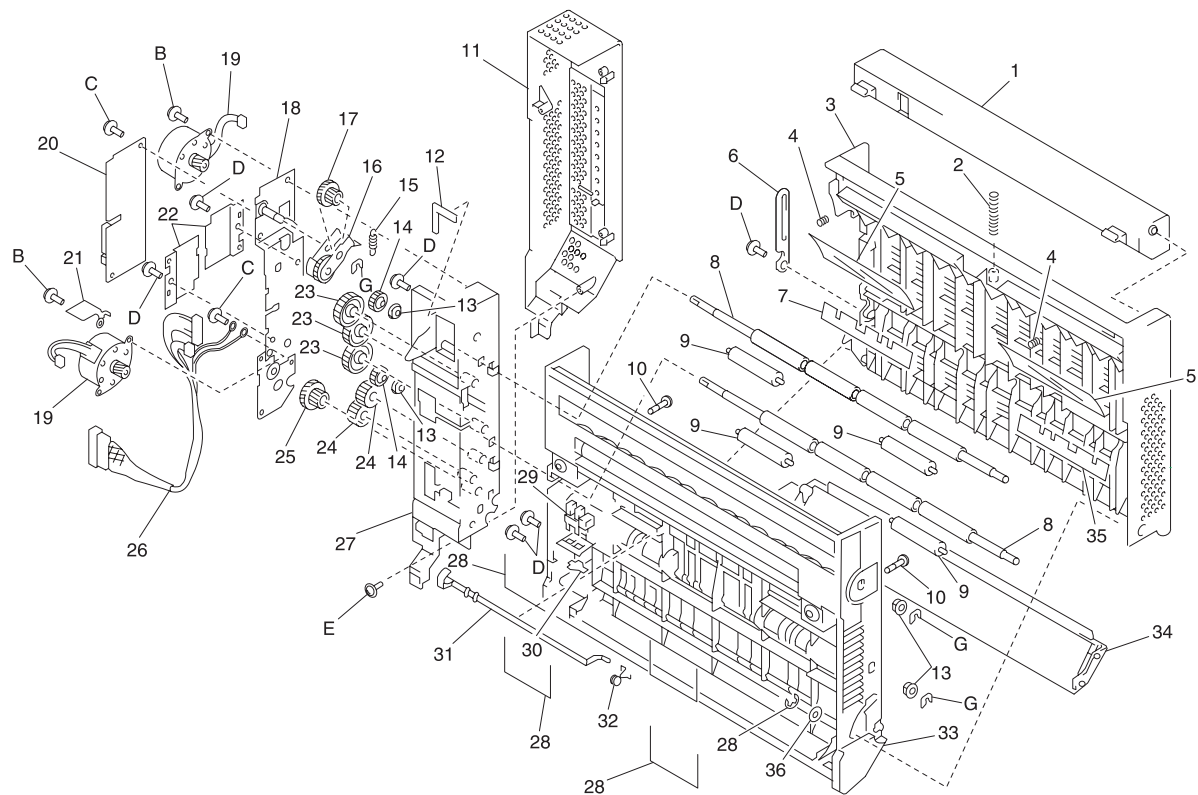
## Assembly 17: Printer Controller Card



**Assembly 17: Printer Controller Card**

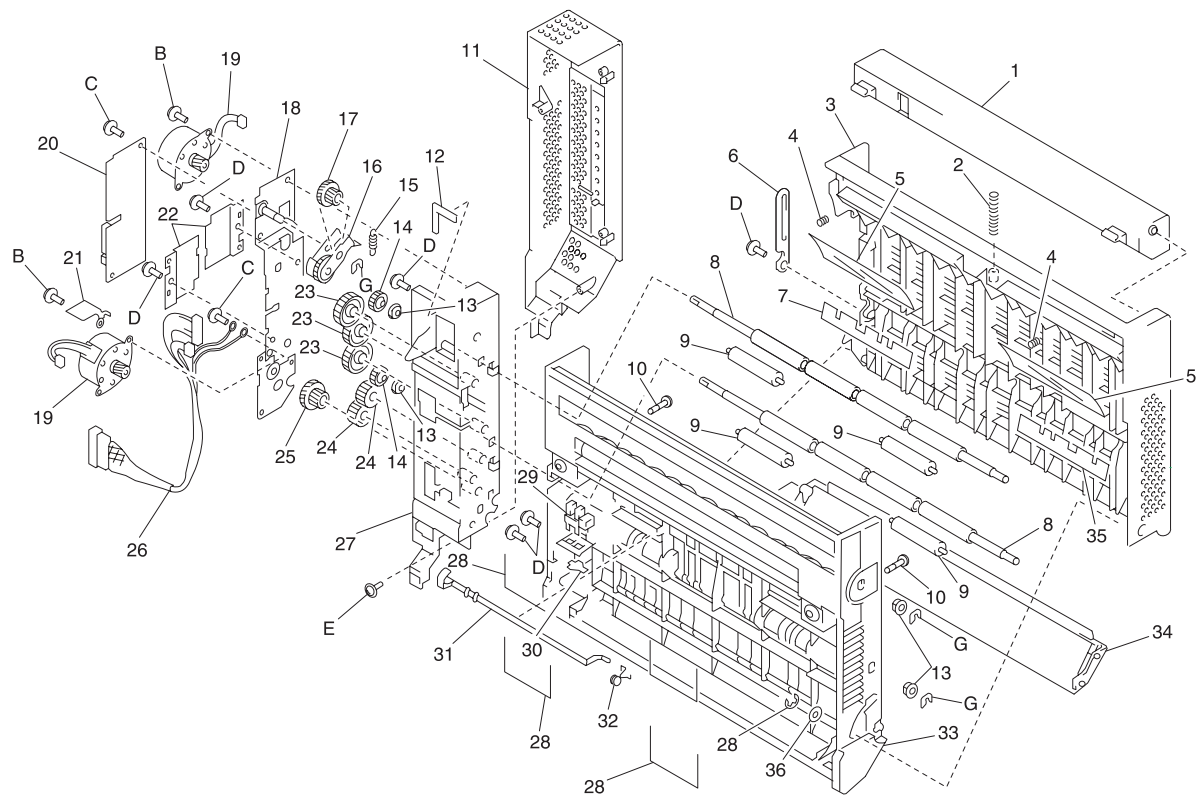
<b>Ref</b>	<b>Part Number</b>	<b>Units</b>	<b>Description</b>
17-1	12G3454	1	RIP Controller Card
-2	11G3523	1	5MB SIMM Code, Controller Card
-3	12G3521	1	Riser Card, Controller Card
-4	99A1757	1	2MB Flash DIMM
-4	99A1758	1	4MB Flash DIMM
-4	99A1759	1	8MB Flash DIMM
-4	99A1774	1	16MB Flash DIMM
-4	99A1752	1	4MB SDRAM DIMM
-4	99A1753	1	8MB SDRAM DIMM
-4	99A1754	1	16MB SDRAM DIMM
-4	99A1755	1	32MB SDRAM DIMM
-4	99A1756	1	64MB SDRAM DIMM
NS	12C0805	2	Screw, Parallel Port

# Assembly 18: Duplex Unit



**Assembly 18: Duplex Unit**

Ref	Part Number	Units	Description
18-1	12G2494	1	Lever
-2	12G2495	1	Pressure Spring
-3	12G2496	1	Cover
-4	12G2497	2	Pressure Spring
-5	12G2498	2	Polyester Film
-6	12G2499	1	Stopper
-7	12G2500	1	Polyester Film
-8	12G2501	2	Roller
-9	12G2502	4	Roll
-10	12G2503	2	Shoulder Screw
-11	12G2504	1	Cover
-12	12G2505	1	Seal
-13	12G2190	4	Bushing
-14	12G2506	2	Gear 20 T
-15	12G2507	1	Tension Spring
-16	12G2508	1	Lever
-17	12G2509	1	Gear 12/40 T
-18	12G2510	1	Axle Plate
-19	12G2511	2	Motor, M1, M2 Duplex Drive
-20	12G2512	1	PWB-A, Duplex Control Board
-21	12G2513	1	Plate
-22	12G2514	2	Plate
-23	12G2515	3	Gear 35 T
-24	12G2516	2	Gear 24 T
-25	12G2517	1	Gear 17/45 T
-26	12G2518	1	Harness
-27	12G2519	1	Holder
-28	12G2520	4	Spring
-29	12G2081	1	Photo Interrupter, S2 Door Close
-30	12G2102	1	Stopper
-31	12G2521	1	Actuator
-32	12G2523	1	Torsion Spring
-33	12G2524	1	Frame

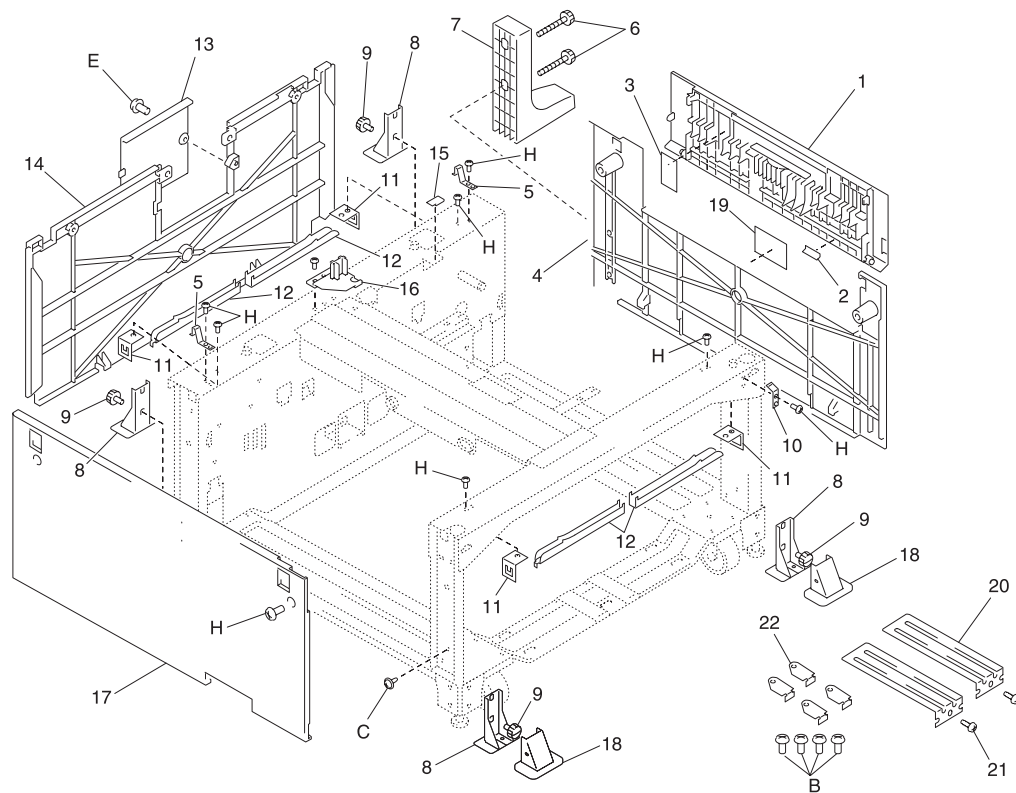
**Assembly 18 (cont.): Duplex Unit**



**Assembly 18 (cont.): Duplex Unit**

<b>Ref</b>	<b>Part Number</b>	<b>Units</b>	<b>Description</b>
18-34	12G2525	1	Cover
-35	12G2526	1	Polyester Film
-36	12G2527	1	Washer
-B		1	Parts Packet 2, PN 12G3401
-C		1	Parts Packet 3, PN 12G3402
-D		1	Parts Packet 4, PN 12G3403
-E		1	Parts Packet 5, PN 12G3404
-G		1	Parts Packet 7, PN 12G3406

# Assembly 19: Paper Deck Housing



**Assembly 19: Paper Deck Housing**

Ref	Part Number	Units	Description
19-1	12G2644	1	Cover
-2	12G2645	1	Sheet
-3	12G2646	1	Sheet
-4	12G2647	1	Right Cover
-5	12G2648	2	Ground Plate
-6	12G2649	2	Shoulder Screw
-7	12G2650	1	Stopper
-8	12G2651	4	Bracket
-9	12G2652	4	Shoulder Screw
-10	12G2653	1	Ground Plate
-11	12G2654	4	Bracket
-12	12G2655	4	Handle
-13	12G2656	1	Cover
-14	12G2657	1	Rear Cover
-15	12G2658	1	Polyester Film
-16	12G2659	1	Holder
-17	12G2660	1	Left Cover
-18	12G2661	2	Cover
-19	12G2662	1	Label Warning
-20	12G2663	2	Regulating Plate
-21	12G2664	2	Shoulder Screw
-22	12G2042	4	Holder
-B		1	Parts Packet 2, PN 12G3401
-C		1	Parts Packet 3, PN 12G3402
-E		1	Parts Packet 5, PN 12G3404
-H		1	Parts Packet 8, PN 12G3407



**Assembly 20: Paper Deck Paper Take-up (A)**

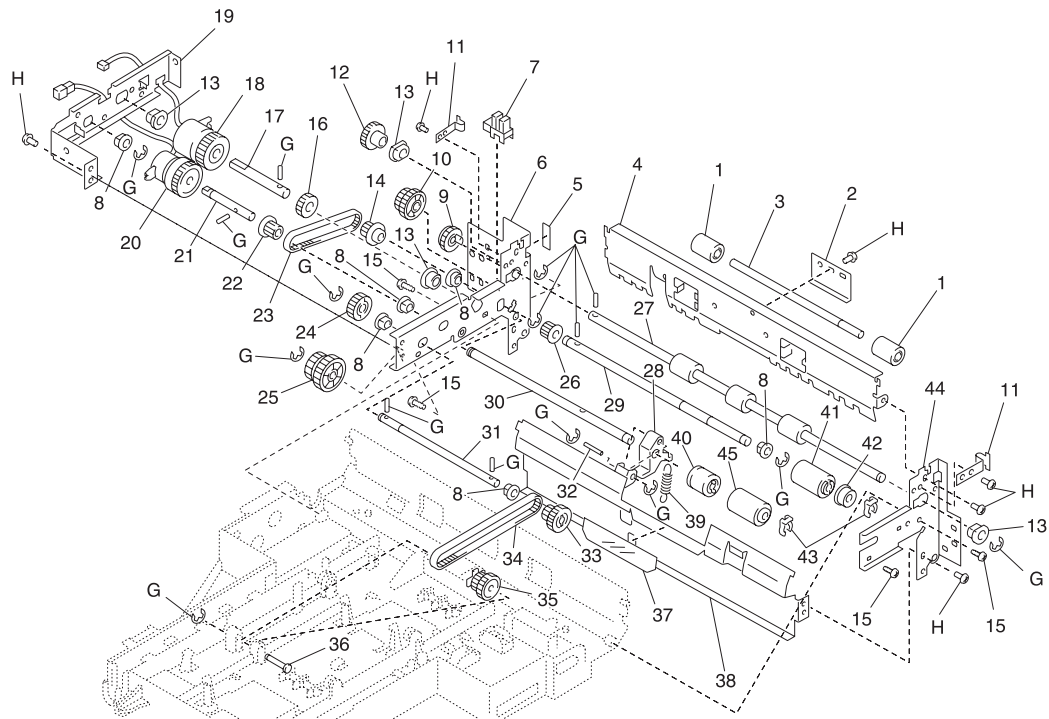
Ref	Part Number	Units	Description
20-1	12G2666	1	Guide Plate
-2	12G2667	3	Photo Interrupter, PPSO-2
-3	12G2664	5	Shoulder Screw
-4	12G2668	1	Reinforce Plate
-5	12G2669	1	Bracket
-6	12G2670	2	Polyester Film
-7	12G2671	2	Holder
-8	12G2672	2	Photo Interrupter, RSEN, S1
-9	12G2673	1	Arm
-10	12G2674	1	Tension Spring
-11	12G2675	1	Arm
-12	12G2676	2	Stopper
-13	12G2677	2	Bracket
-14	12G2678	1	Ground Plate
-15	12G2679	4	Bushing
-16	12G2680	2	Photo Interrupter, LS1,LS2
-17	12G2681	2	Tension Spring
-18	12G2682	2	Shaft
-19	12G2683	2	Stopper Ring
-20	12G2684	2	Shaft
-21	12G2685	2	Arm
-22	12G2686	2	Gear 26 T
-23	12G2687	2	Shaft
-24	12G2688	2	Pulley 20 T
-25	12G2689	2	Tension Spring
-26	12G2690	1	Timing Belt
-27	12G2691	2	Clutch, P1CL, P2CL
-28	12G2692	1	Pulley 18 T
-29	12G2693	2	Arm
-30	12G2694	2	Roller, Paper Transport
-31	12G2695	1	Harness
-32	12G2696	1	Harness
-33	12G2697	1	Harness



**Assembly 20 (cont.): Paper Deck Paper Take-up (A)**

<b>Ref</b>	<b>Part Number</b>	<b>Units</b>	<b>Description</b>
20-A		1	Parts Packet 1, PN 12G3400
-G		1	Parts Packet 7, PN 12G3406
-H		1	Parts Packet 8, PN 12G3407

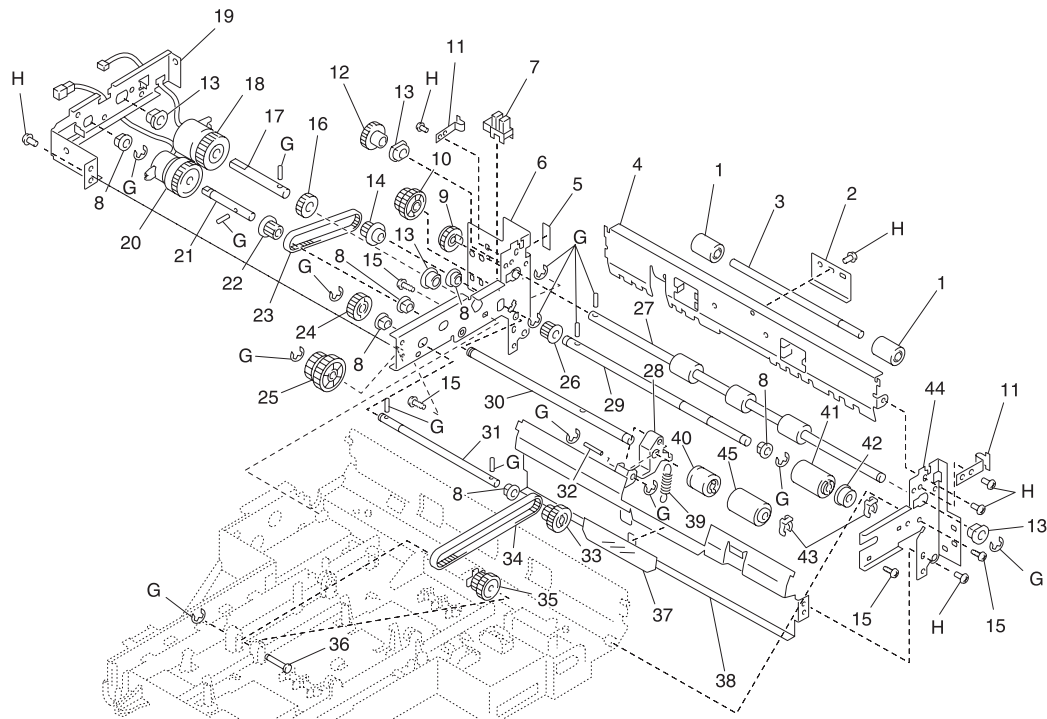
# Assembly 21: Paper Deck Paper Take-up (B)





**Assembly 21: Paper Deck Paper Take-up (B)**

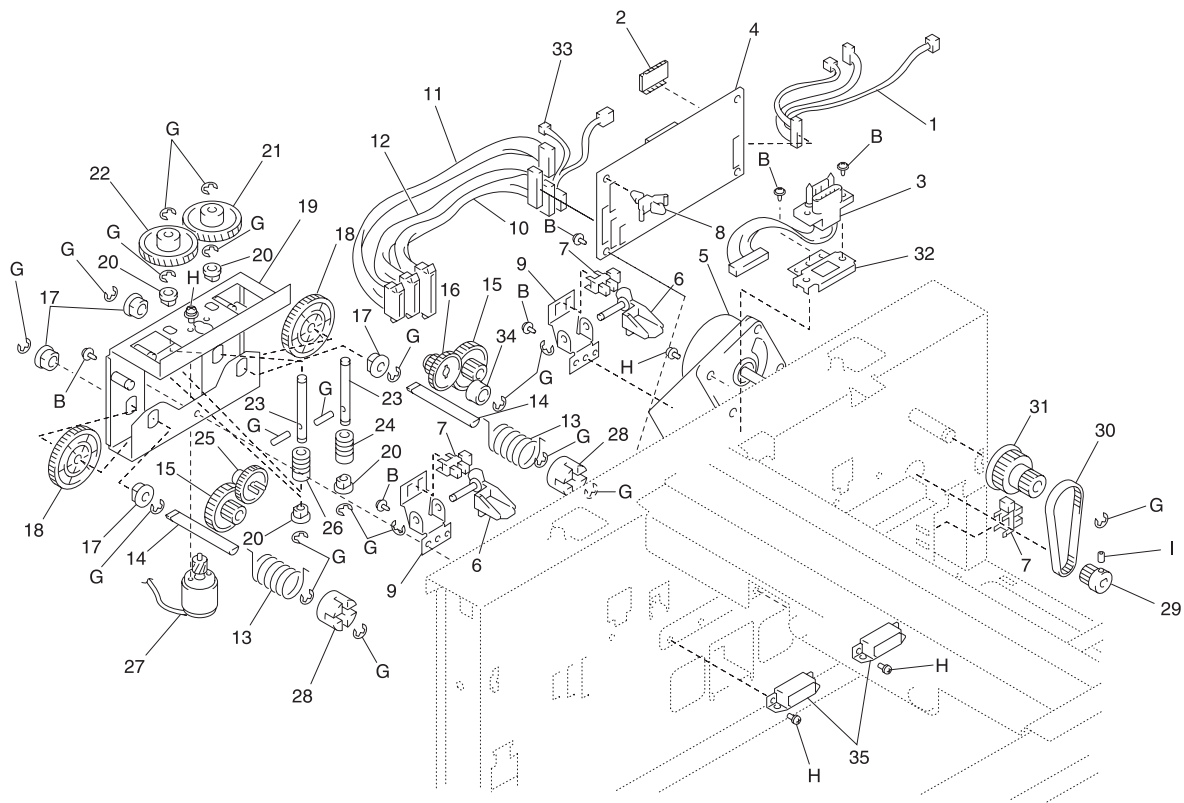
Ref	Part Number	Units	Description
21-1	12G2700	2	Roller, Paper
-2	12G2701	1	Plate Spring
-3	12G2702	1	Shaft
-4	12G2703	1	Bracket
-5	12G2704	1	Label
-6	12G2705	1	Axel Plate
-7	12G2680	1	Photo Interrupter, Side, Door Close
-8	12G2679	6	Bushing
-9	12G2706	1	Gear 18 T
-10	12G2707	1	Gear 22/28 T
-11	12G2708	2	Plate Spring
-12	12G2709	1	Gear 26 T
-13	12G2710	4	Bush
-14	12G2711	1	Pulley 20 T
-15	12G2664	4	Shoulder Screw
-16	12G2712	1	Gear 20 T
-17	12G2713	1	Shaft
-18	12G2714	1	Clutch RCL, Registration
-19	12G2715	1	Bracket
-20	12G2716	1	Clutch BCL, Separation
-21	12G2717	1	Shaft
-22	12G2718	1	Pulley 18 T
-23	12G2719	1	Timing Belt
-24	12G2720	1	Gear 24 T
-25	12G2721	1	Gear 20/35 T
-26	12G2722	1	Pulley 14 T
-27	12G2723	1	Roller
-28	12G2724	1	Lever
-29	12G2725	1	Shaft
-30	12G2726	1	Shaft
-31	12G2727	1	Shaft
-32	12G2728	1	Shaft
-33	12G2729	1	Ply Gear 14/26 T

**Assembly 21 (cont.): Paper Deck Paper Take-up (B)**

**Assembly 21 (cont.): Paper Deck Paper Take-up (B)**

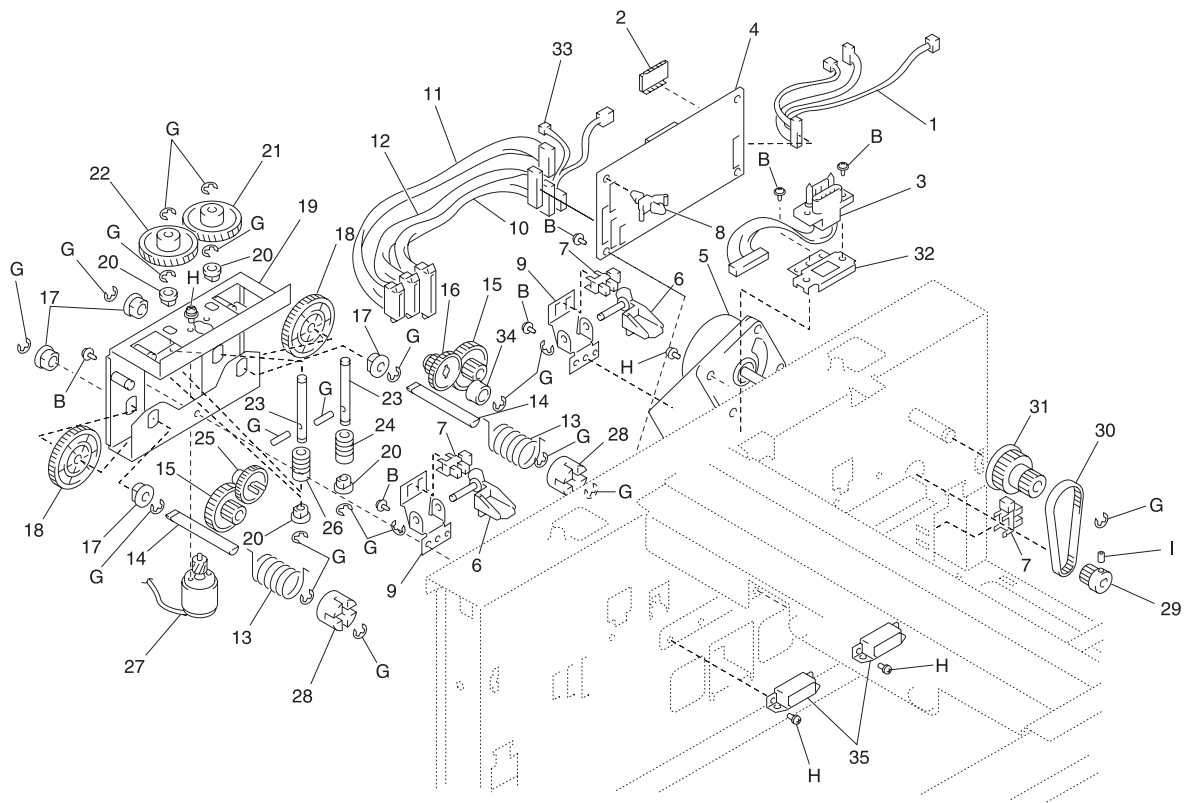
<b>Ref</b>	<b>Part Number</b>	<b>Units</b>	<b>Description</b>
21-34	12G2730	1	Timing Belt
-35	12G2731	1	Ply Gear 14/26 T
-36	12G2732	1	Shaft
-37	12G2733	1	Polyester Film
-38	12G2734	1	Bracket
-39	12G2735	1	Tension Spring
-40	12G2736	1	Arbor Asm
-41	12G2737	1	Roller, Paper Take-up
-42	12G2738	1	Clutch
-43	12G2683	2	Stopper Ring
-44	12G2739	1	Frame
-45	12G2740	1	Roller, Paper Take-up
-G		1	Parts Packet 7, PN 12G3406
-H		1	Parts Packet 8, PN 12G3407

## Assembly 22: Paper Deck Drive



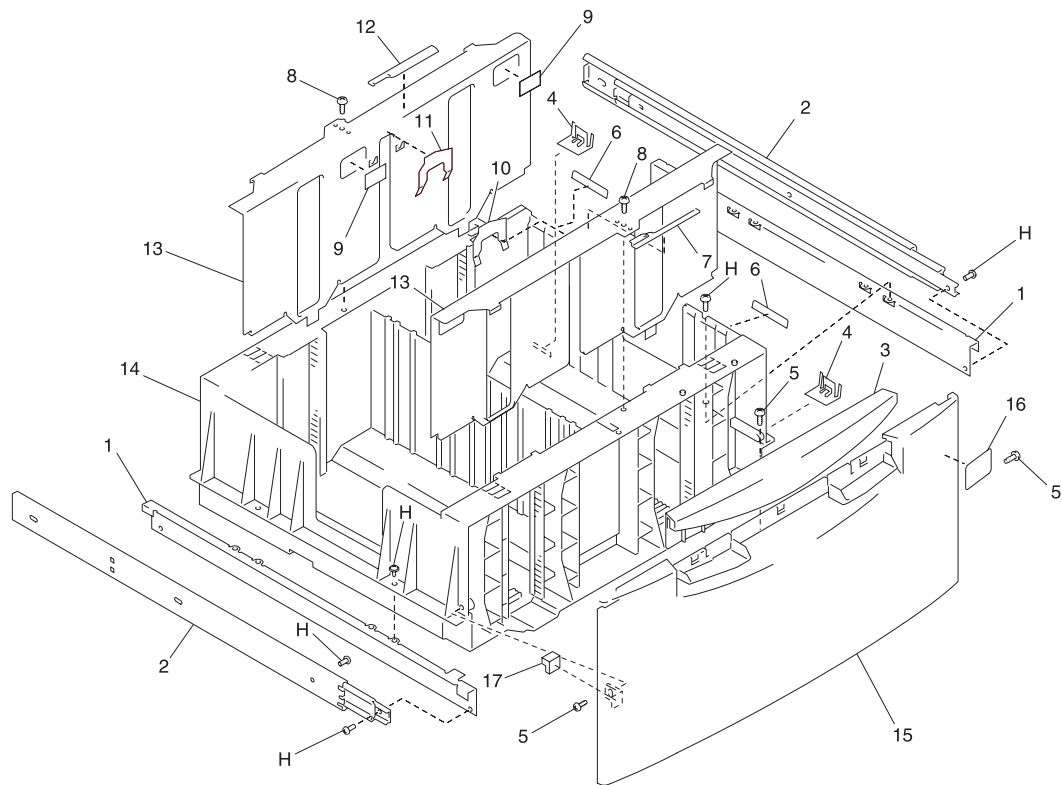
## Assembly 22: Paper Deck Drive

Ref	Part Number	Units	Description
22-1	12G2745	1	Harness
-2	12G2746	1	IC
-3	12G2747	1	Harness
-4	12G2748	1	PWB-A, Drive Board  <b>Note:</b> Remove IC (reference 2) from old board and place on new board.
-5	12G2749	1	Motor, HMOT Paper Transport
-6	12G2750	2	Lever
-7	12G2680	1	Photo Interrupter, RS1, RS2 Front
-8	12G2751	3	PWB Support
-9	12G2752	2	Bracket
-10	12G2753	1	Harness
-11	12G2754	1	Harness
-12	12G2755	1	Harness
-13	12G2756	2	Pressure Spring
-14	12G2757	2	Shaft
-15	12G2758	2	Gear 16/32 T
-16	12G2759	1	Gear 16/32 T
-17	12G2806	4	Bush
-18	12G2760	2	Gear 58 T
-19	12G2761	1	Axle Plate
-20	12G2679	4	Bushing
-21	12G2762	1	Gear 72 T
-22	12G2763	1	Gear 72 T
-23	12G2764	2	Shaft
-24	12G2765	1	Worm Gear
-25	12G2766	1	Gear 16/32 T
-26	12G2767	1	Worm Gear
-27	12G2768	1	Motor, EMOT Paper Lift
-28	12G2769	2	Holder
-29	12G2770	1	Pulley 18 T
-30	12G2771	1	Timing Belt
-31	12G2772	1	Ply Gear 16/50 T

**Assembly 22 (cont.): Paper Deck Drive**

**Assembly 22 (cont.): Paper Deck Drive**

<b>Ref</b>	<b>Part Number</b>	<b>Units</b>	<b>Description</b>
22-32	12G2773	1	Bracket
-33	12G2774	1	Harness
-34	12G2775	1	Arbor
-35	12G2776	2	Magnet Catch
-B		1	Parts Packet 2, PN 12G3401
-G		1	Parts Packet 7, PN 12G3406
-H		1	Parts Packet 8, PN 12G3407
-I		1	Parts Packet 9, PN 12G3408

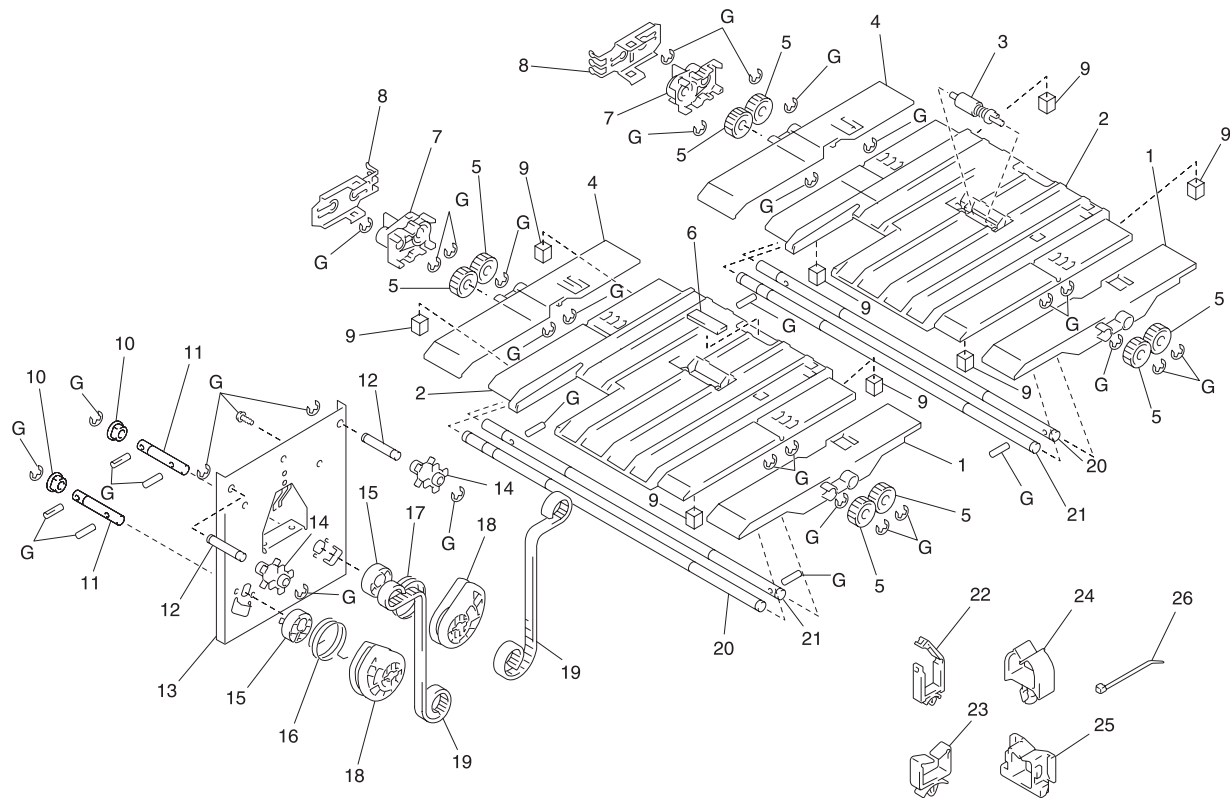
**Assembly 23: Paper Deck Paper Tray (A)**



**Assembly 23: Paper Deck Paper Tray (A)**

<b>Ref</b>	<b>Part Number</b>	<b>Units</b>	<b>Description</b>
23-1	12G2779	2	Bracket
-2	12G2780	2	Rail
-3	12G2621	1	Handle
-4	12G2781	2	Ground Plate
-5	12G2782	3	Shoulder Screw
-6	12G2783	2	Polyester Film
-7	12G2784	1	Holder
-8	12G2664	2	Shoulder Screw
-9	12G2785	2	Label Max Level
-10	12G2786	1	Polyester Film
-11	12G2787	1	Polyester Film
-12	12G2788	1	Holder
-13	12G2789	2	Regulating Plate
-14	12G2790	1	Cassette Body
-15	12G2791	1	Front Cover
-16	12G2792	1	Label A4
-16	12G2793	1	Label Letter
-17	12G2794	1	Stopper
-H		1	Parts Packet 8, PN 12G3407

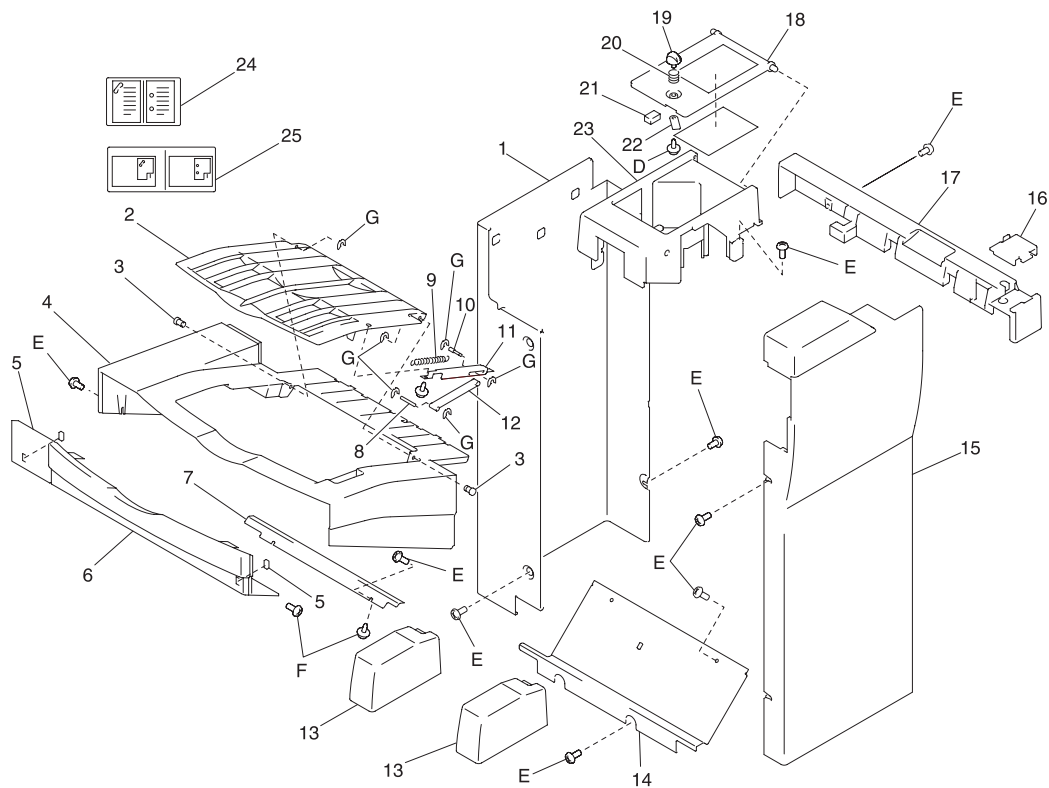
# Assembly 24: Paper Deck Paper Tray (B)



**Assembly 24: Paper Deck Paper Tray (B)**

Ref	Part Number	Units	Description
24-1	12G2797	2	Holder
-2	12G2798	2	Guide Plate
-3	12G2799	1	Roll Asm
-4	12G2800	2	Holder
-5	12G2801	8	Gear 24 T
-6	12G2802	1	Pad
-7	12G2803	2	Pulley 20 T
-8	12G2804	2	Ground Plate
-9	12G2805	8	Cushion
-10	12G2806	2	Bush
-11	12G2807	2	Shaft
-12	12G2808	2	Shaft
-13	12G2809	1	Bracket
-14	12G2810	2	Cam
-15	12G2811	2	Holder
-16	12G2812	1	Torsion Spring
-17	12G2813	1	Torsion Spring
-18	12G2814	2	Pulley 32 T
-19	12G2815	2	Timing Belt
-20	12G2816	2	Shaft
-21	12G2817	2	Shaft
-22	12G2818	5	Wiring Saddle
-23	12G2819	6	Wiring Saddle
-24	12G2820	4	Wiring Saddle
-24	12G2821	5	Cord Clamp
-25	12G2822	1	Edge Cover
-25	12G2823	2	Edge Cover
-26	12G2824	6	Cable Tie
-G		1	Parts Packet 7, PN 12G3406
-H		1	Parts Packet 8, PN 12G3407

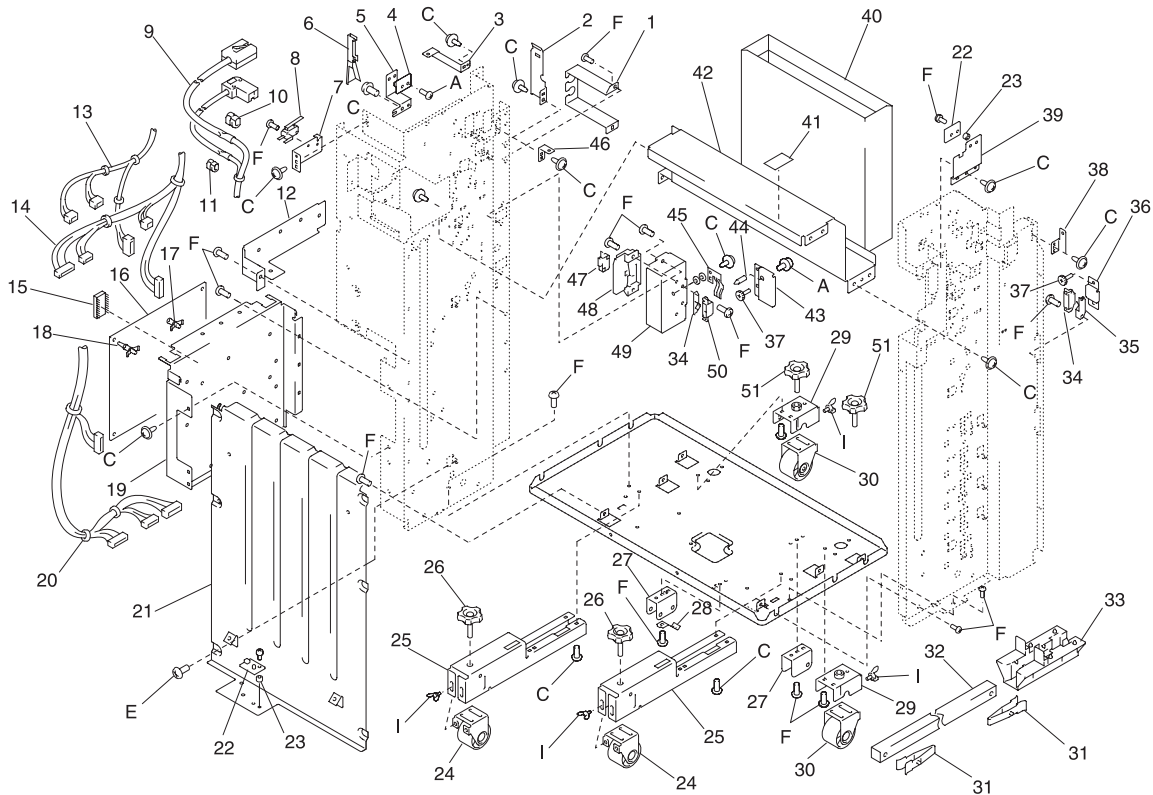
# Assembly 25: Finisher Housing



**Assembly 25: Finisher Housing**

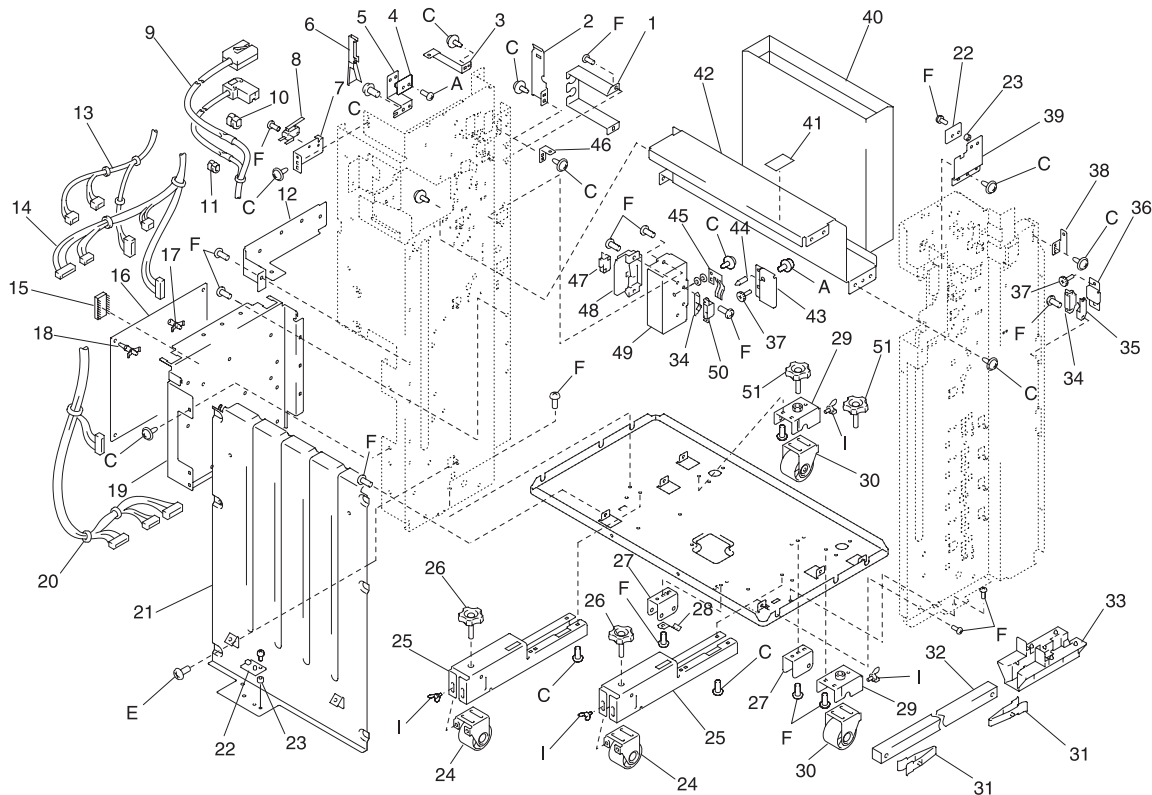
Ref	Part Number	Units	Description
25-1	12G3034	1	Rear Cover
-2	12G3035	1	Tray
-3	12G3036	2	Stud
-4	12G3037	1	Tray
-5	12G3038	2	Cushion
-6	12G3039	1	Cover
-7	12G3040	1	Plate
-8	12G3041	1	Shaft
-9	12G3042	1	Tension Spring
-10	12G3043	1	Shaft
-11	12G3044	1	Slide Plate
-12	12G3045	1	Stay
-13	12G3046	2	Cover
-14	12G3047	1	Left Cover-lwr
-15	12G3048	1	Front Cover
-16	12G3049	1	Cover
-17	12G3050	1	Right Cover-upr
-18	12G3051	1	Cover
-19	12G3052	1	Knob
-20	12G3053	1	Pressure Spring
-21	12G2875	1	Rubber Strip
-22	12G3054	1	Plate
-23	12G3055	1	Rear Cover-upr
-24	12G3056	1	Label Position
-24	12G3057	1	Label Position
-24	12G3058	1	Label Position
-25	12G3059	1	Label Position
-25	12G3060	1	Label Position
-25	12G3061	1	Label Position
-D		1	Parts Packet 4, PN 12G3403
-E		1	Parts Packet 5, PN 12G3404
-F		1	Parts Packet 6, PN 12G3405
-G		1	Parts Packet 7, PN 12G3406

# Assembly 26: Finisher Frames



**Assembly 26: Finisher Frames**

Ref	Part Number	Units	Description
26-1	12G3062	1	Holder
-2	12G3063	1	Bracket
-3	12G3064	1	Bracket
-4	12G3065	1	PW Board-F, PWB-F
-5	12G3066	1	Bracket
-6	12G3067	1	Guide
-7	12G3068	1	Bracket
-8	12G3069	1	Microswitch, S4 Staple Door
-9	12G3070	1	Harness
-10	12G2949	1	Cord Bushing
-11	12G2951	1	Cord Bushing
-12	12G3071	1	Guide Plate
-13	12G3072	1	Harness
-14	12G3073	1	Harness
-15	12G3074	1	IC, PWB-A IC3
-16	12G3075	1	PWB-A, Control Board
-17	12G3076	6	PWB Support
-18	12G3077	4	PWB Support 12.7h
-19	12G3078	1	Mounting Plate
-20	12G3079	1	Harness
-21	12G3080	1	Plate
-22	12G3081	2	PWB-E, LED Board
-23	12G3082	4	Collar
-24	12G2859	2	Caster
-25	12G3083	2	Mounting Plate
-26	12G2858	2	Adjusting Bolt
-27	12G3084	2	Bracket
-28	12G3085	1	Plate Spring
-29	12G3086	2	Bracket
-30	12G3087	2	Caster
-31	12G2863	2	Stopper
-32	12G2865	1	Pipe
-33	12G2834	1	Holder

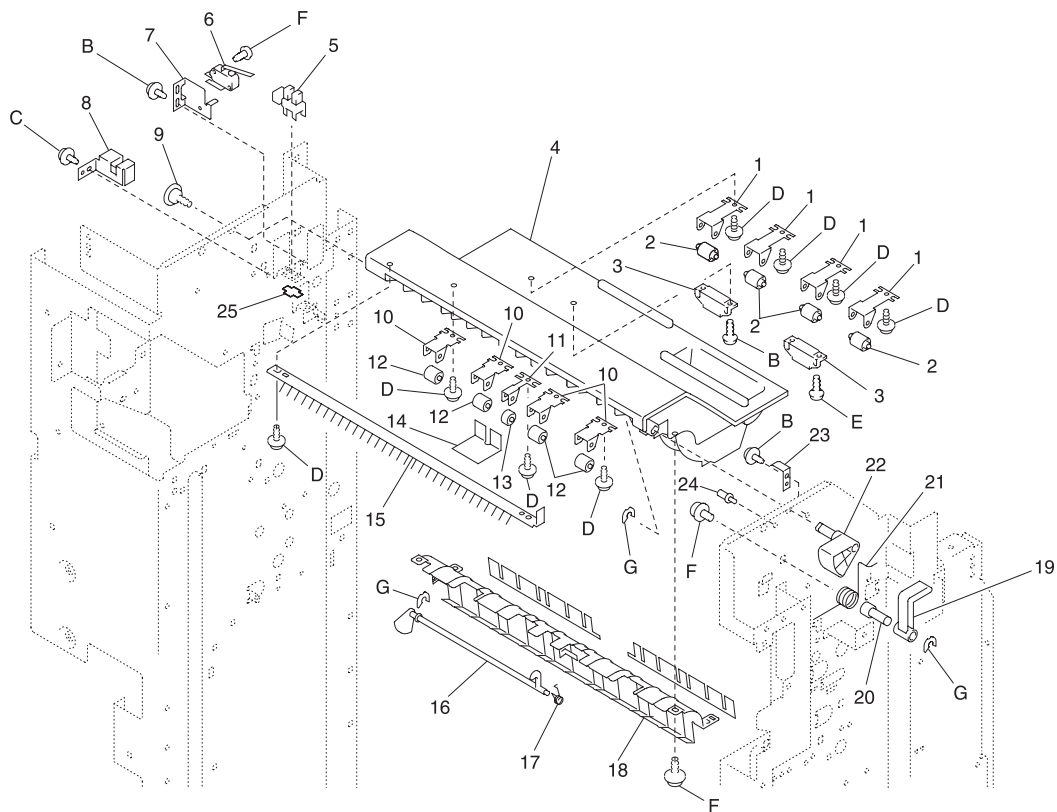
**Assembly 26 (cont.): Finisher Frames**



**Assembly 26 (cont.): Finisher Frames**

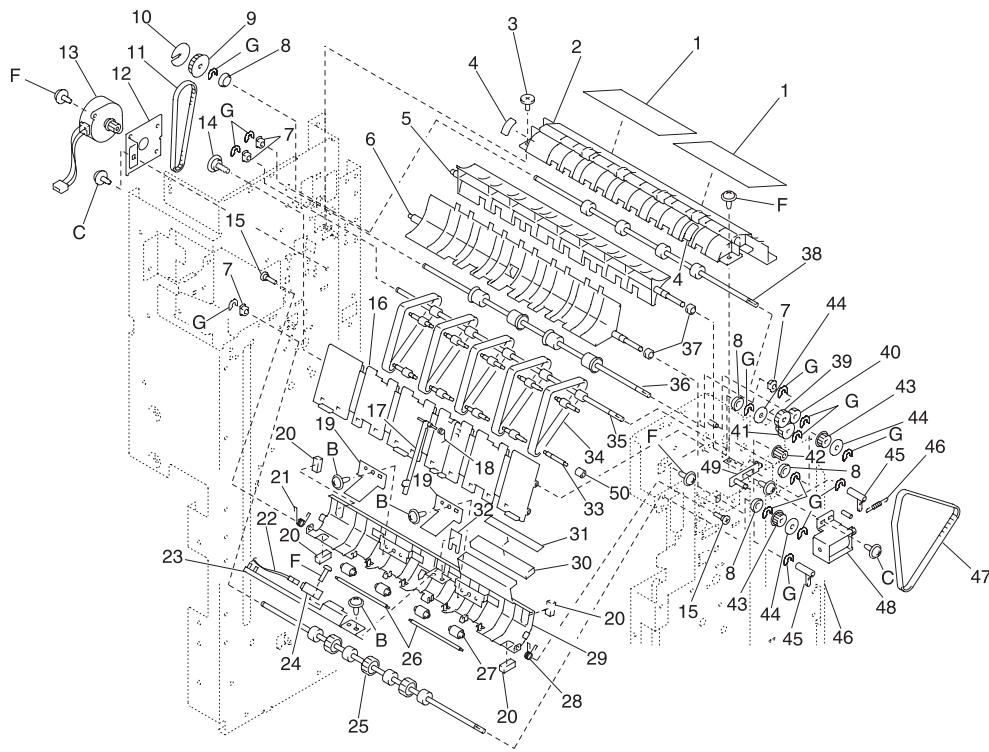
Ref	Part Number	Units	Description
26-34	12G2873	1	Magnet Catch
-35	12G2872	2	Ground Plate
-36	12G3088	1	Bracket
-37	12G2939	3	Shoulder Screw
-38	12G3089	1	Bracket
-39	12G3090	1	Plate
-40	12G3091	1	Punch Trash Box
-41	12G3092	1	Tape
-42	12G3093	1	Mounting Plate
-43	12G3094	1	Bracket
-44	12G2068	1	Pin
-45	12G3095	1	Plate Spring
-46	12G3096	1	Bracket
-47	12G3097	1	Microswitch, S6
-48	12G2960	1	Holder
-49	12G3098	1	Bracket
-50	12G3104	1	Magnet Catch
-51	12G3099	2	Adjusting Bolt
-A		1	Parts Packet 1, PN 12G3400
-C		1	Parts Packet 3, PN 12G3402
-E		1	Parts Packet 5, PN 12G3404
-F		1	Parts Packet 6, PN 12G3405
-I		1	Parts Packet 9, PN 12G3408

# Assembly 27: Finisher Paper Transport (A)



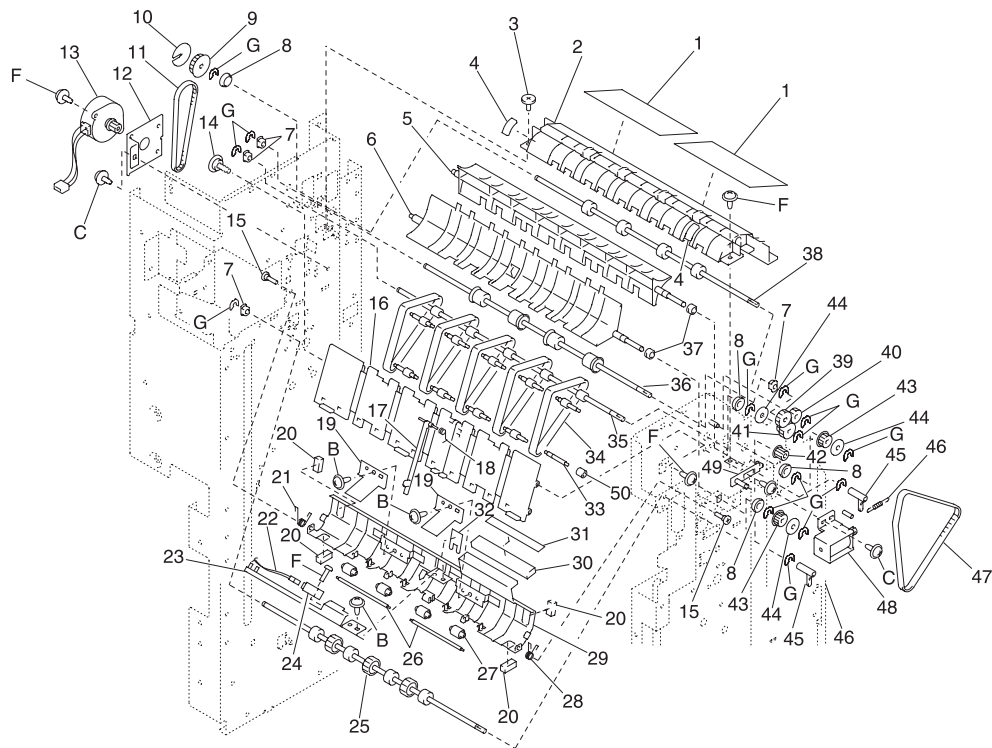
**Assembly 27: Finisher Paper Transport (A)**

Ref	Part Number	Units	Description
27-1	12G3103	4	Plate Spring
-2	12G2907	4	Roll
-3	12G3104	2	Magnet Catch
-4	12G3105	1	Guide
-5	12G3106	1	Photo Interrupter, PC1
-6	12G3069	1	Upper Cover, S1
-7	12G3107	1	Bracket
-8	12G3108	1	Cover
-9	12G3109	1	Shoulder Screw
-10	12G3110	4	Plate Spring
-11	12G3111	1	Plate Spring
-12	12G2931	4	Roll
-13	12G3112	1	Roll
-14	12G3113	1	Polyester Film
-15	12G3114	1	Neutralizing Brush
-16	12G3115	1	Actuator
-17	12G3116	1	Torsion Spring
-18	12G3117	1	Guide Plate
-19	12G3118	1	Arm
-20	12G3119	1	Shaft
-21	12G3120	1	Torsion Spring
-22	12G3121	1	Cam
-23	12G3122	1	Plate Spring
-24	12G3123	1	Shoulder Screw
-25	12G2173	1	Stopper
-B		1	Parts Packet 2, PN 12G3401
-C		1	Parts Packet 3, PN 12G3402
-D		1	Parts Packet 4, PN 12G3403
-E		1	Parts Packet 5, PN 12G3404
-F		1	Parts Packet 6, PN 12G3405
-G		1	Parts Packet 7, PN 12G3406

**Assembly 28: Finisher Paper Transport (B)**

**Assembly 28: Finisher Paper Transport (B)**

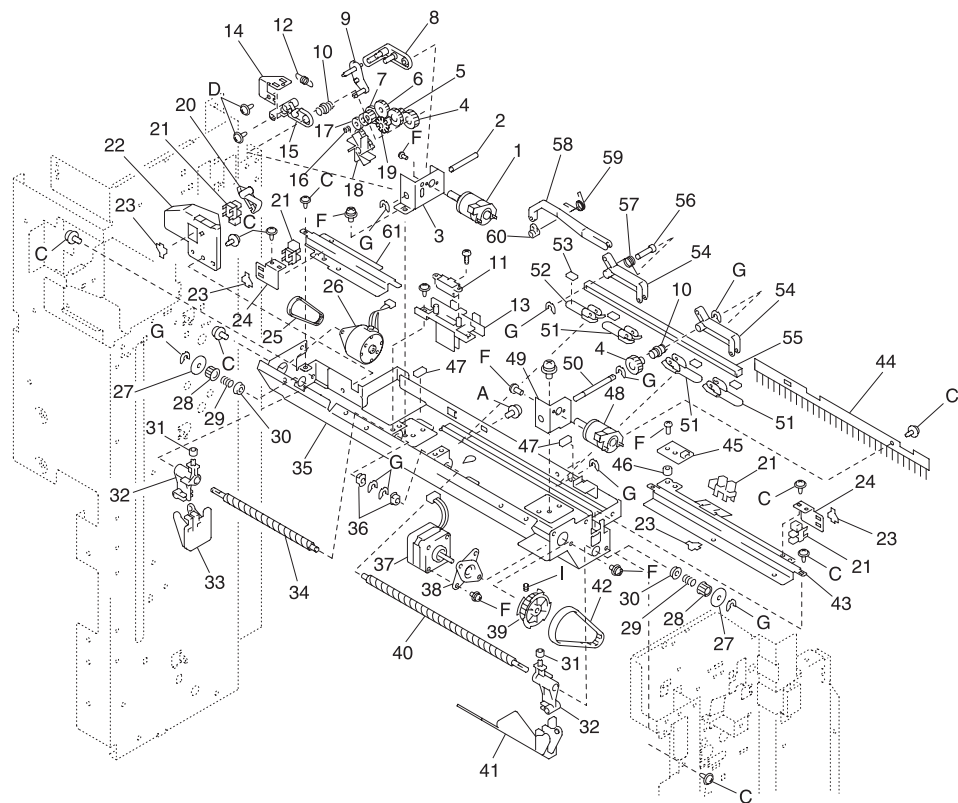
Ref	Part Number	Units	Description
28-1	12G3124	2	Polyester Film
-2	12G3125	1	Guide
-3	12G2911	1	Shoulder Screw
-4	12G3126	2	Sponge
-5	12G3127	1	Guide
-6	12G3128	1	Guide
-7	12G2971	4	Bushing
-8	12G3129	4	Ball Bearing
-9	12G3130	1	Pulley 32t
-10	12G3131	1	Flange
-11	12G3132	1	Timing Belt
-12	12G3133	1	Bracket
-13	12G3134	1	Motor, M2 Transport, Upper Exit
-14	12G3135	2	Shoulder Screw
-15	12G3136	2	Shoulder Screw
-16	12G3137	1	Guide
-17	12G3138	1	Actuator
-18	12G3139	1	Torsion Spring
-19	12G3140	2	Plate Spring
-20	12G3038	4	Cushion
-21	12G3141	1	Torsion Spring
-22	12G3142	1	Harness
-23	12G3143	1	Bracket
-24	12G2999	1	Photo Interrupter, PC3 Finish Tray
-25	12G3144	1	Roller
-26	12G3145	2	Shaft
-27	12G2924	4	Roll
-28	12G3146	1	Torsion Spring
-29	12G3147	1	Guide Plate
-30	12G3148	1	Cover
-31	12G3149	1	Label
-32	12G3150	1	Polyester Film
-33	12G3151	10	Shaft

**Assembly 28 (cont.): Finisher Paper Transport (B)**

**Assembly 28 (cont.): Finisher Paper Transport (B)**

<b>Ref</b>	<b>Part Number</b>	<b>Units</b>	<b>Description</b>
28-34	12G3152	5	Belt
-35	12G3153	1	Roller
-36	12G3154	1	Roller
-37	12G2896	2	Bushing
-38	12G3155	1	Roller
-39	12G3156	1	Gear 28t
-40	12G3157	1	Gear 24t
-41	12G3158	1	Ply Gear 19/28t
-42	12G3159	1	Pulley 15t
-43	12G3160	2	Pulley 19t
-44	12G3161	3	Flange
-45	12G3162	2	Arm
-46	12G3163	2	Tension Spring
-47	12G3164	1	Timing Belt
-48	12G3165	1	Solenoid, Transport SL1
-49	12G3166	1	Bracket
-50	12G3167	10	Roll
-B		1	Parts Packet 2, PN 12G3401
-C		1	Parts Packet 3, PN 12G3402
-F		1	Parts Packet 6, PN 12G3405
-G		1	Parts Packet 7, PN 12G3406

## Assembly 29: Finisher Paper Aligning

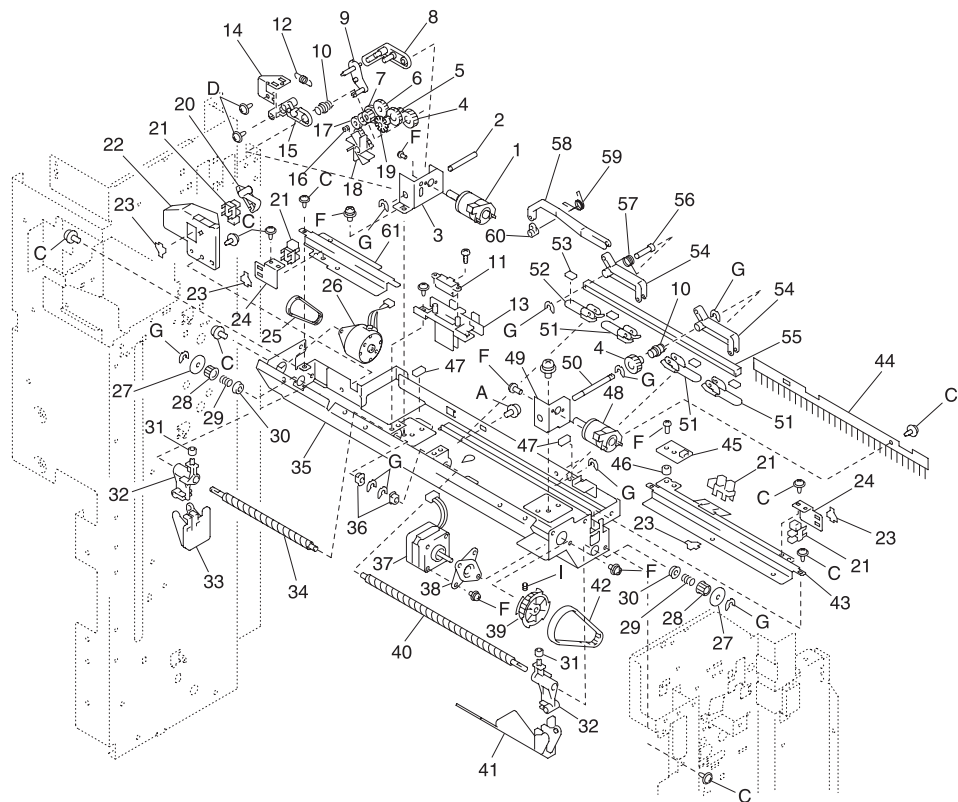




**Assembly 29: Finisher Paper Aligning**

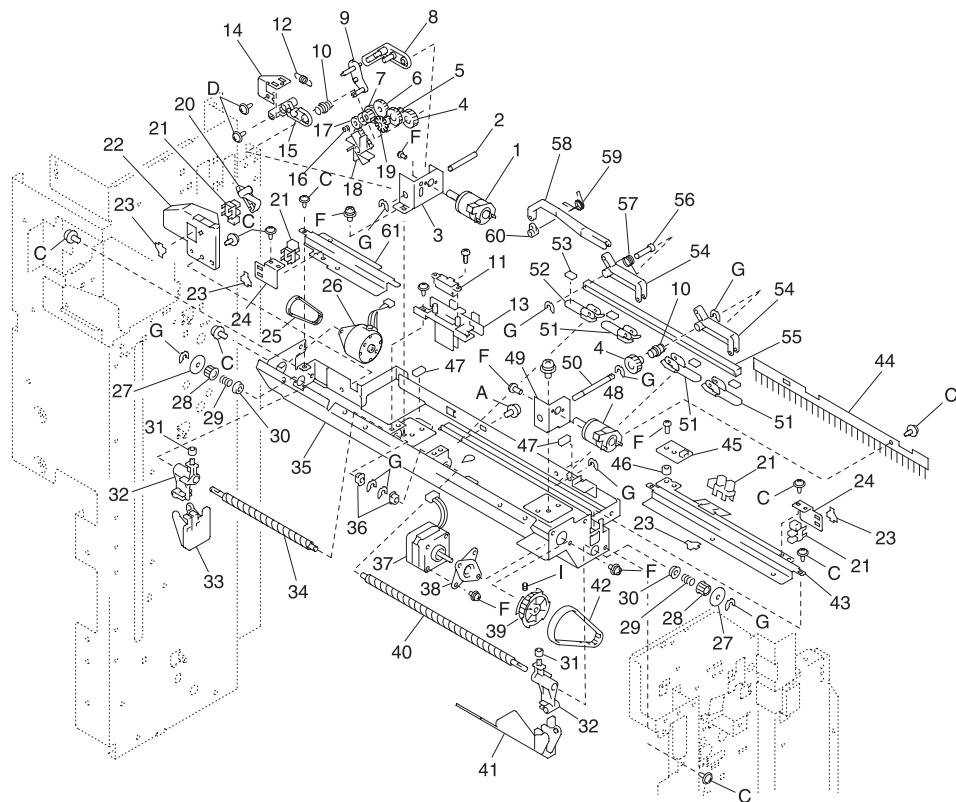
Ref	Part Number	Units	Description
29-1	12G3168	1	PWB-Motor, Staple Paddle M6
-2	12G3169	1	Shaft
-3	12G3170	1	Bracket
-4	12G3171	2	Gear 41t
-5	12G3172	1	Gear 25/26t
-6	12G3157	1	Gear 24t
-7	12G3173	1	Gear 18/27t
-8	12G3174	1	Arm
-9	12G3175	1	Arm
-10	12G3176	2	Clutch Spring
-11	12G3177	1	Photo Switch, Top Position PC12
-12	12G3178	1	Tension Spring
-13	12G3179	1	Holder
-14	12G3180	1	Bracket
-15	12G3181	1	Arm
-16	12G3182	1	Torsion Spring
-17	12G3183	3	Gear 19t
-18	12G3184	1	Paddle
-19	12G3185	1	Actuator
-20	12G3186	1	Actuator
-21	12G3106	4	Photo Interrupter, PC4-PC7
-22	12G3187	1	Guide
-23	12G2102	4	Stopper
-24	12G3188	2	Bracket
-25	12G3189	1	Timing Belt
-26	12G3190	1	Motor, Shift M5
-27	12G3191	2	Flange
-28	12G3192	2	Pulley 22t
-29	12G3193	2	Pressure Spring
-30	12G2844	2	Ball Bearing
-31	12G3507	2	Roll
-32	12G3194	2	Slider
-33	12G3195	1	Stopper

## Assembly 29 (cont.): Finisher Paper Aligning



**Assembly 29 (cont.): Finishing Paper Aligning**

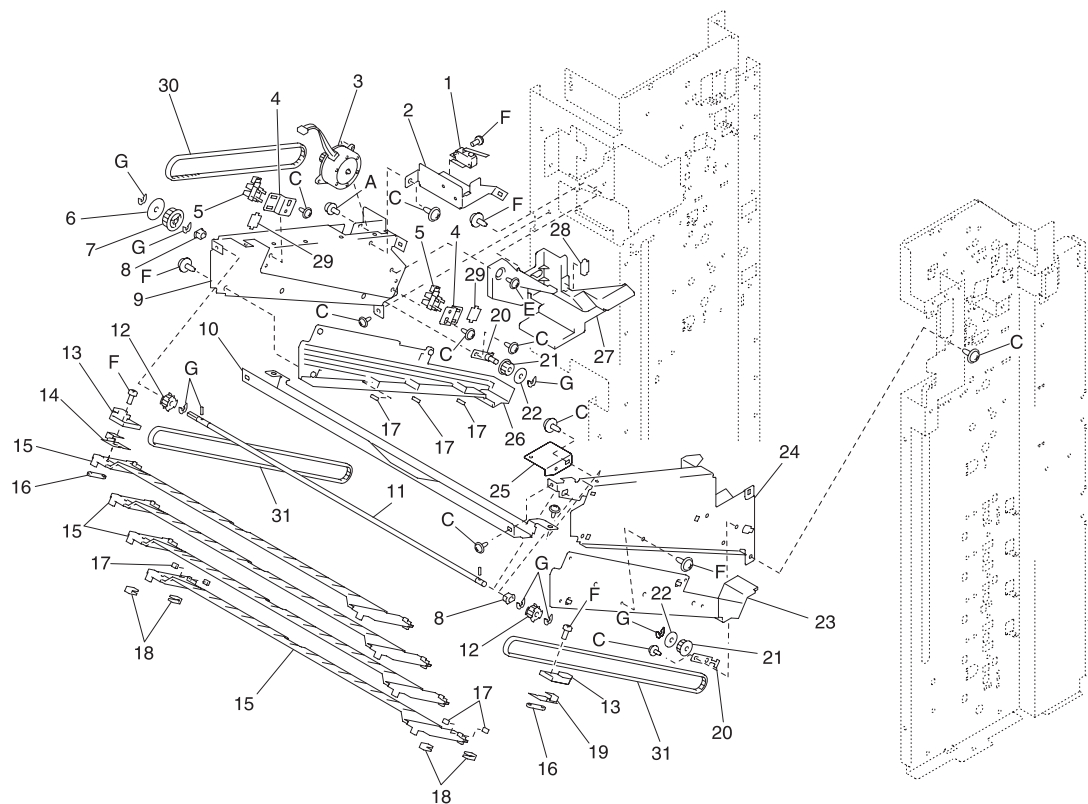
Ref	Part Number	Units	Description
29-34	12G3196	1	Spiral Roller
-35	12G3197	1	Frame
-36	12G2971	2	Bushing
-37	12G3198	1	Motor, Aligning M4
-38	12G3199	1	Cushion
-39	12G3200	1	Pulley 72t
-40	12G3201	1	Spiral Roller
-41	12G3202	1	Stopper
-42	12G3203	1	Timing Belt
-43	12G3204	1	Rail
-44	12G3205	1	Neutralizing Brush
-45	12G3065	1	PW Board-F, PWB-F
-46	12G3082	2	Collar
-47	12G3038	2	Cushion
-48	12G3206	1	PWB-Motor, Curl Control M7
-49	12G3207	1	Bracket
-50	12G3208	1	Shaft
-51	12G3209	3	Lever
-52	12G3210	1	Lever
-53	12G3211	4	Cushion
-54	12G3212	2	Arm
-55	12G3213	1	Holder
-56	12G3214	1	Shaft
-57	12G3215	1	Torsion Spring
-58	12G3216	1	Lever
-59	12G3217	1	Torsion Spring
-60	12G3218	1	Link
-61	12G3219	1	Rail

**Assembly 29 (cont.): Finisher Paper Aligning**

**Assembly 29 (cont.): Finishing Paper Aligning**

<b>Ref</b>	<b>Part Number</b>	<b>Units</b>	<b>Description</b>
29-A		1	Parts Packet 1, PN 12G3400
-C		1	Parts Packet 3, PN 12G3402
-D		1	Parts Packet 4, PN 12G3403
-F		1	Parts Packet 6, PN 12G3405
-G		1	Parts Packet 7, PN 12G3406
-I		1	Parts Packet 9, PN 12G3408

# Assembly 30: Finisher Assistance Tray



**Assembly 30: Finisher Assistance Tray**

Ref	Part Number	Units	Description
30-1	12G3069	1	Microswitch, S7 1st Tray Door
-2	12G3223	1	Bracket
-3	12G3224	1	Motor, Paper Holding Tray M10
-4	12G3225	2	Bracket
-5	12G3106	2	Photo Interrupter, PC9, PC10
-6	12G3226	1	Flange
-7	12G3227	1	Pulley 28t
-8	12G2971	2	Bushing
-9	12G3228	1	Frame
-10	12G3229	1	Frame
-11	12G3230	1	Shaft
-12	12G3231	2	Pulley 19t
-13	12G3232	2	Holder
-14	12G3233	1	Bracket
-15	12G3234	4	Sub Tray
-16	12G3235	2	Plate Nut
-17	12G3236	18	Cushion
-18	12G3237	16	Slider
-19	12G3238	1	Reinforce Plate
-20	12G3239	2	Bracket
-21	12G3240	2	Pulley 19t
-22	12G3161	2	Flange
-23	12G3241	1	Rail
-24	12G3242	1	Frame
-25	12G3243	1	Plate
-26	12G3244	1	Rail
-27	12G3245	1	Support
-28	12G3246	1	Sheet
-29	12G2102	2	Stopper
-30	12G3247	1	Timing Belt
-31	12G3248	2	Timing Belt

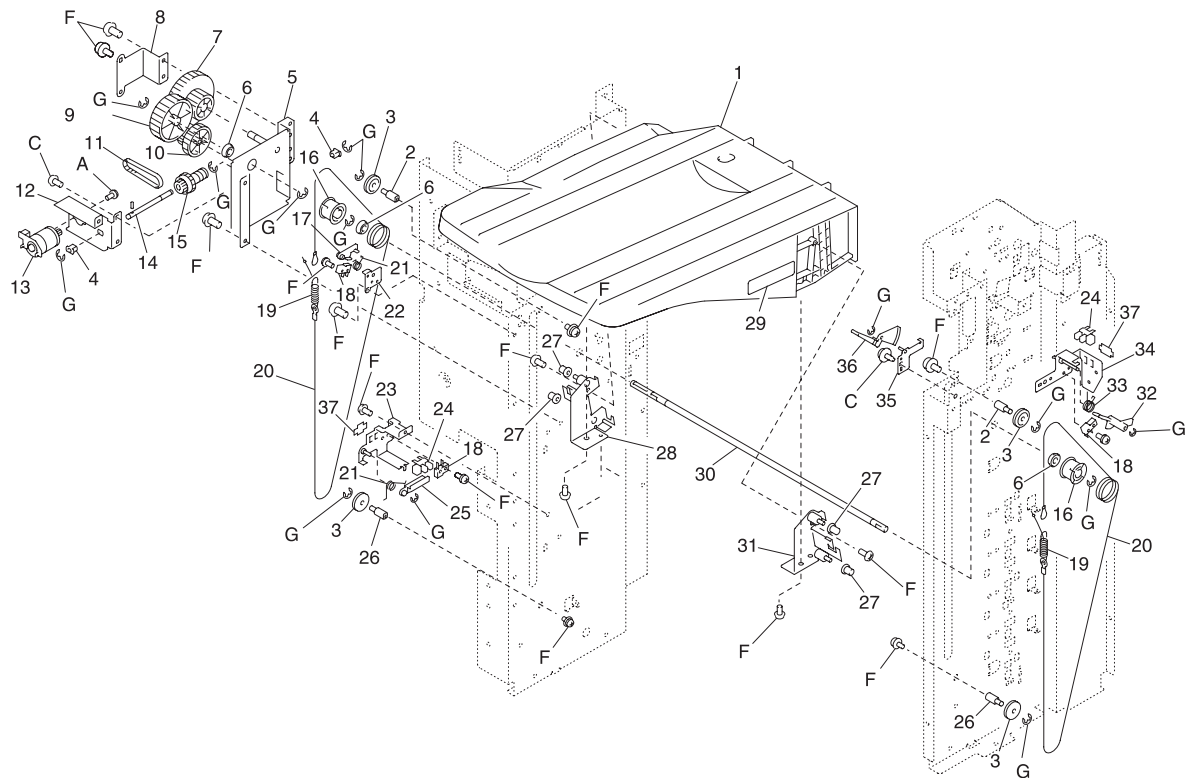




**Assembly 30 (cont.): Finisher Assistance Tray**

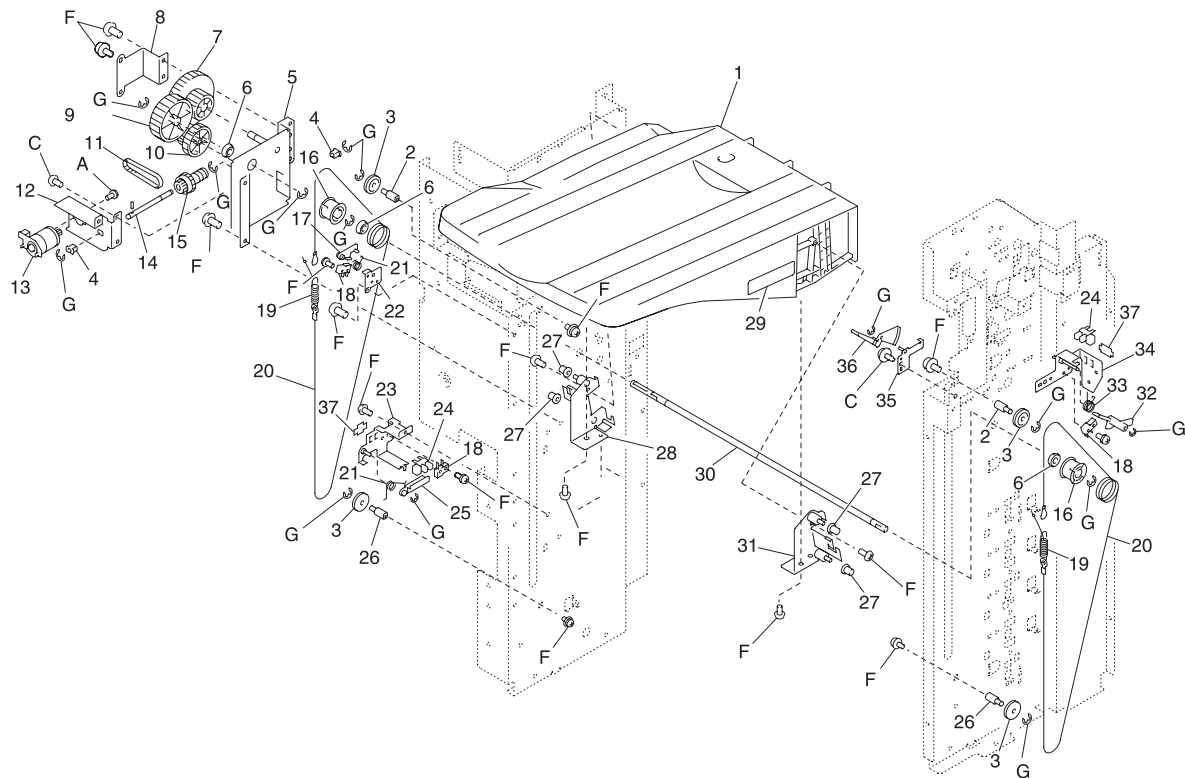
<b>Ref</b>	<b>Part Number</b>	<b>Units</b>	<b>Description</b>
30-A		1	Parts Packet 1, PN 12G3400
-C		1	Parts Packet 3, PN 12G3402
-E		1	Parts Packet 5, PN 12G3404
-F		1	Parts Packet 6, PN 12G3405
-G		1	Parts Packet 7, PN 12G3406

# Assembly 31: Finisher Elevator Tray



**Assembly 31: Finisher Elevator Tray**

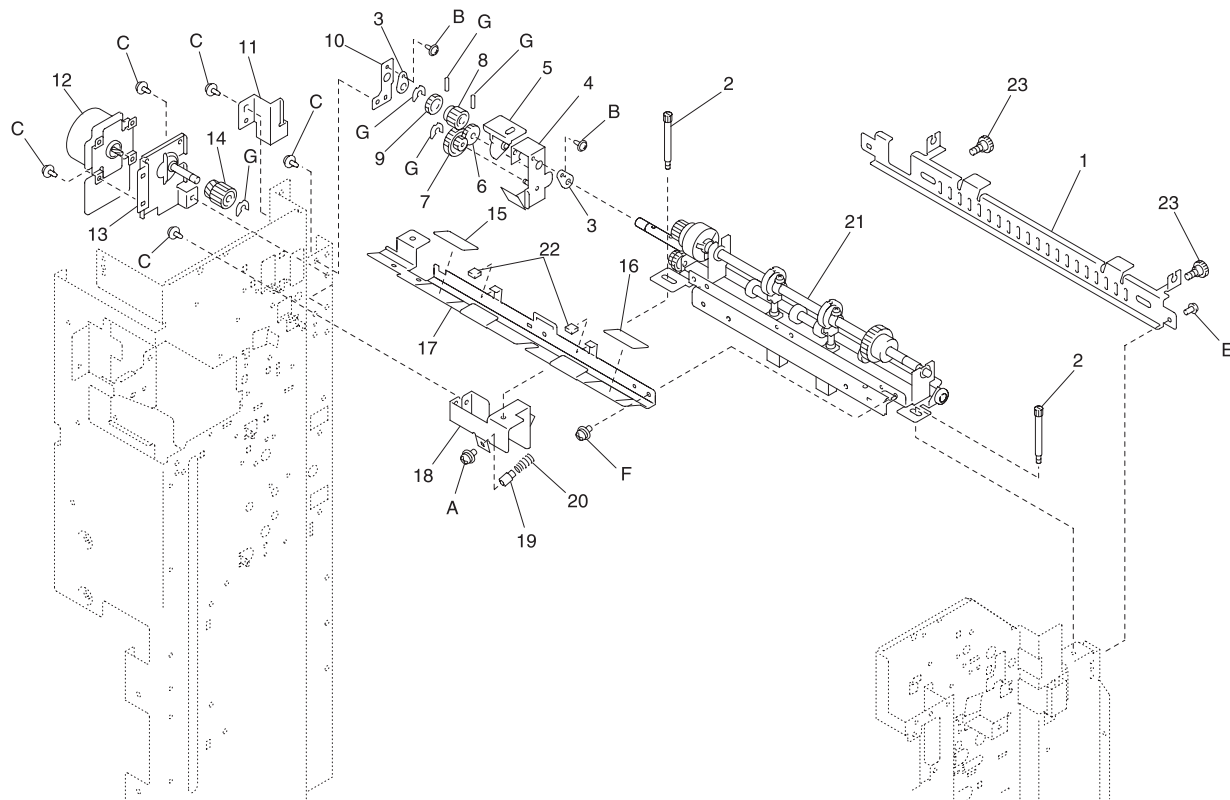
Ref	Part Number	Units	Description
31-1	12G3250	1	Tray
-2	12G3251	2	Shaft
-3	12G3252	4	Pulley
-4	12G2971	2	Bushing
-5	12G3253	1	Bracket
-6	12G3254	3	Ball Bearing
-7	12G3255	1	Gear 35/75t
-8	12G3256	1	Reinforce Plate
-9	12G3257	1	Gear 60t
-10	12G3258	1	Gear 28/42t
-11	12G3259	1	Timing Belt
-12	12G3260	1	Bracket
-13	12G3261	1	PWB-Motor, Elevator M9
-14	12G3262	1	Shaft
-15	12G3263	1	Pulley 29t
-16	12G3264	2	Pulley
-17	12G3265	1	Actuator
-18	12G3266	3	Microswitch, S2, S3, S5
-19	12G3267	2	Tension Spring
-20	12G3268	2	Wire
-21	12G3269	2	Torsion Spring
-22	12G3270	1	Bracket
-23	12G3271	1	Bracket
-24	12G3106	2	Photo Interrupter, PC8, PC11
-25	12G3272	1	Actuator
-26	12G3273	2	Shaft
-27	12G3274	4	Bush
-28	12G3275	1	Bracket
-29	12G3276	1	Label
-30	12G3277	1	Shaft
-31	12G3278	1	Bracket
-32	12G3279	1	Lever
-33	12G3280	1	Torsion Spring

**Assembly 31 (cont.): Finisher Elevator Tray**

**Assembly 31 (cont.): Finisher Elevator Tray**

<b>Ref</b>	<b>Part Number</b>	<b>Units</b>	<b>Description</b>
31-34	12G3281	1	Bracket
-35	12G3282	1	Bracket
-36	12G3283	1	Lever
-37	12G2102	2	Stopper
-A		1	Parts Packet 1, PN 12G3400
-C		1	Parts Packet 3, PN 12G3402
-F		1	Parts Packet 6, PN 12G3405
-G		1	Parts Packet 7, PN 12G3406

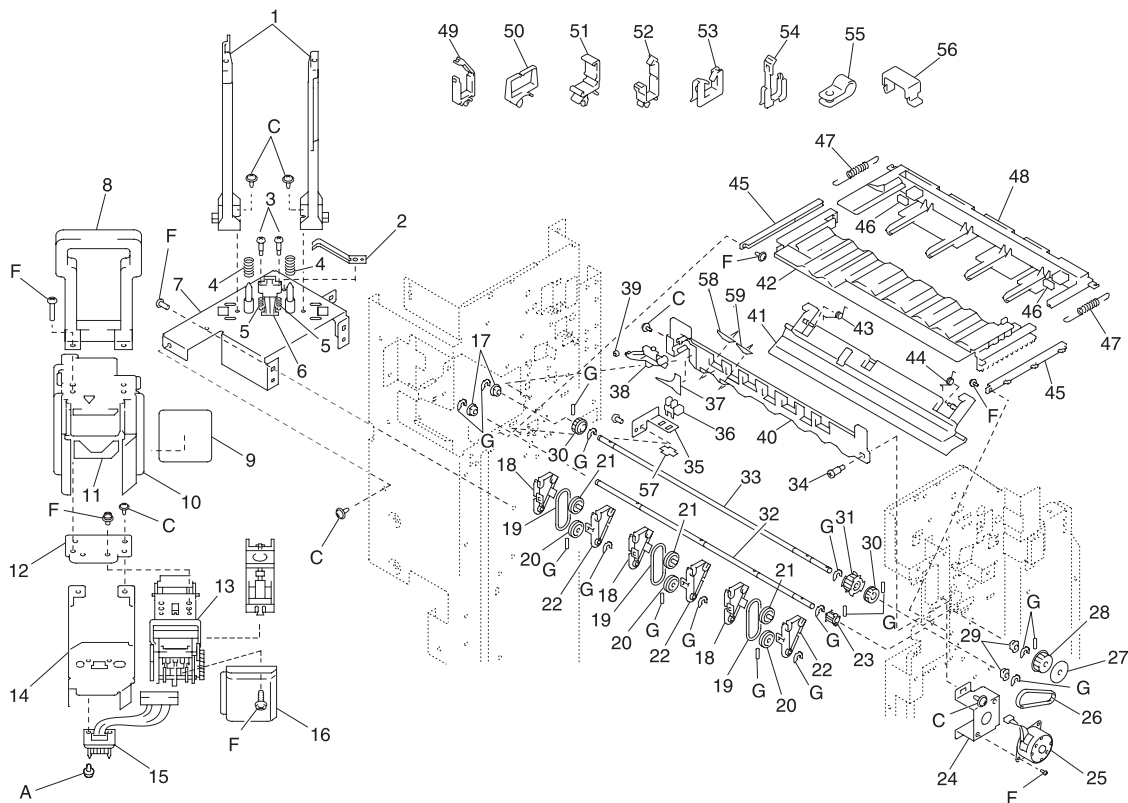
# Assembly 32: Finisher Punch Unit



**Assembly 32: Finisher Punch Unit**

Ref	Part Number	Units	Description
32-1	12G3288	1	Mounting Plate
-2	12G3289	2	Shoulder Screw
-3	12G3290	2	Bushing
-4	12G3291	1	Bracket
-5	12G3292	1	Bushing
-6	12G3293	1	Gear 21t
-7	12G3294	1	Gear 14/31t
-8	12G3295	1	Gear 20t
-9	12G3296	1	Gear 20t
-10	12G3297	1	Bracket
-11	12G3298	1	Bracket
-12	12G3299	1	PWB-motor, M1 Transport
-13	12G3300	1	Bracket
-14	12G3301	1	Gear 22/38t
-15	12G3302	1	Label Jam Removal
-16	12G3303	1	Label Jam Removal
-17	12G3304	1	Guide Plate
-18	12G3305	1	Bracket
-19	12G3306	1	Shaft
-20	12G3307	1	Pressure Spring
-21	12G3309	1	Punch Unit (3-hole)
-21	12G3310	1	Punch Unit (4-hole)
-22	12G3311	2	Knob
-23	12G3312	2	Shoulder Screw
-A		1	Parts Packet 1, PN 12G3400
-B		1	Parts Packet 2, PN 12G3401
-C		1	Parts Packet 3, PN 12G3402
-E		1	Parts Packet 5, PN 12G3404
-F		1	Parts Packet 6, PN 12G3405
-G		1	Parts Packet 7, PN 12G3406

# Assembly 33: Finisher Stapler Unit/Finisher Tray

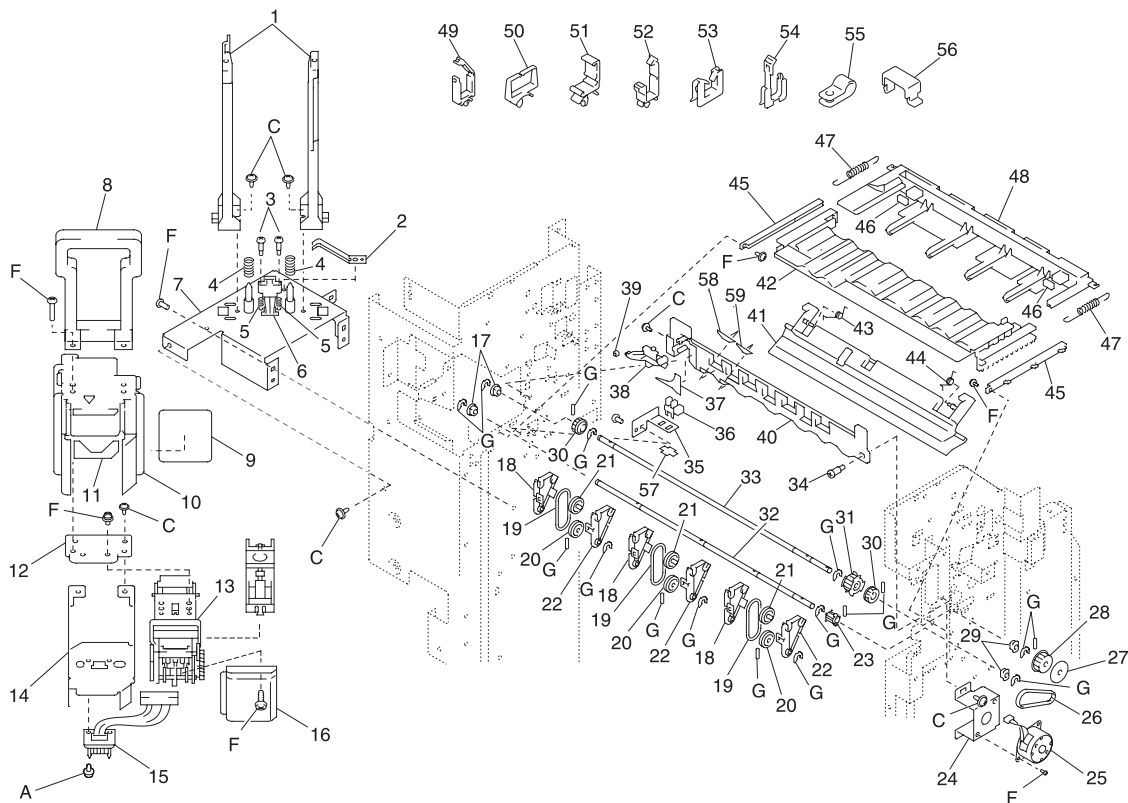




**Assembly 33: Finisher Stapler Unit/Finisher Tray**

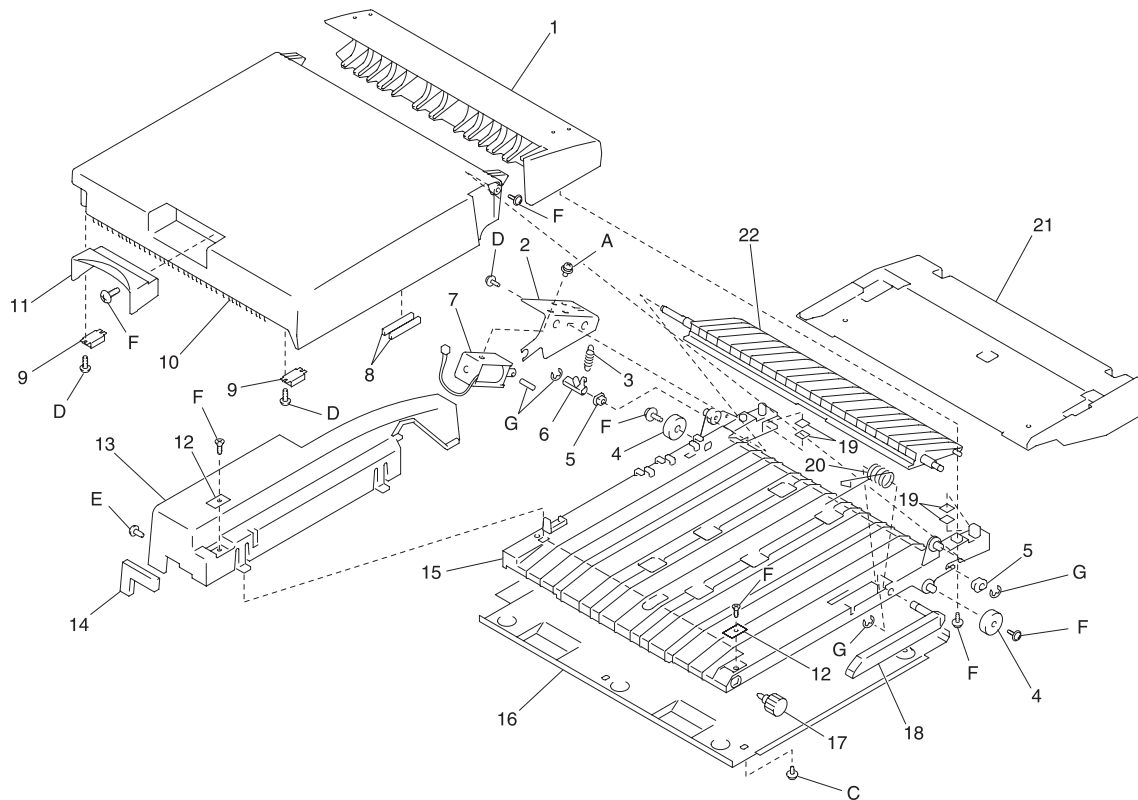
Ref	Part Number	Units	Description
33-1	12G3313	2	Guide
-2	12G3314	1	Plate Spring
-3	12G3315	2	Shoulder Screw
-4	12G3316	2	Pressure Spring
-5	12G3313	2	Pressure Spring
-6	12G3317	1	Harness
-7	12G3318	1	Bracket
-8	12G3319	1	Handle
-9	12G3320	1	Label Jam Removal
-10	12G3321	1	Cover
-11	12G3322	1	Polyester Film
-12	12G3323	1	Plate
-13	12G3324	1	Stapler Unit
-14	12G3325	1	Bracket
-15	12G3326	1	Harness
-16	12G3327	1	Guide
-17	12G3328	2	Bushing
-18	12G3329	3	Holder
-19	12G3330	3	Belt
-20	12G3331	3	Pulley
-21	12G3332	3	Pulley
-22	12G3333	3	Holder
-23	12G3334	1	Pulley 18t
-24	12G3335	1	Bracket
-25	12G3336	1	Motor, Finisher Tray M8
-26	12G3337	1	Timing Belt
-27	12G3226	1	Flange
-28	12G3338	1	Pulley 40t
-29	12G2971	2	Bushing
-30	12G3339	2	Gear 18t
-31	12G3340	1	Pulley
-32	12G3341	1	Shaft
-33	12G3342	1	Shaft

# Assembly 33 (cont.): Finisher Stapler Unit/Finisher Tray



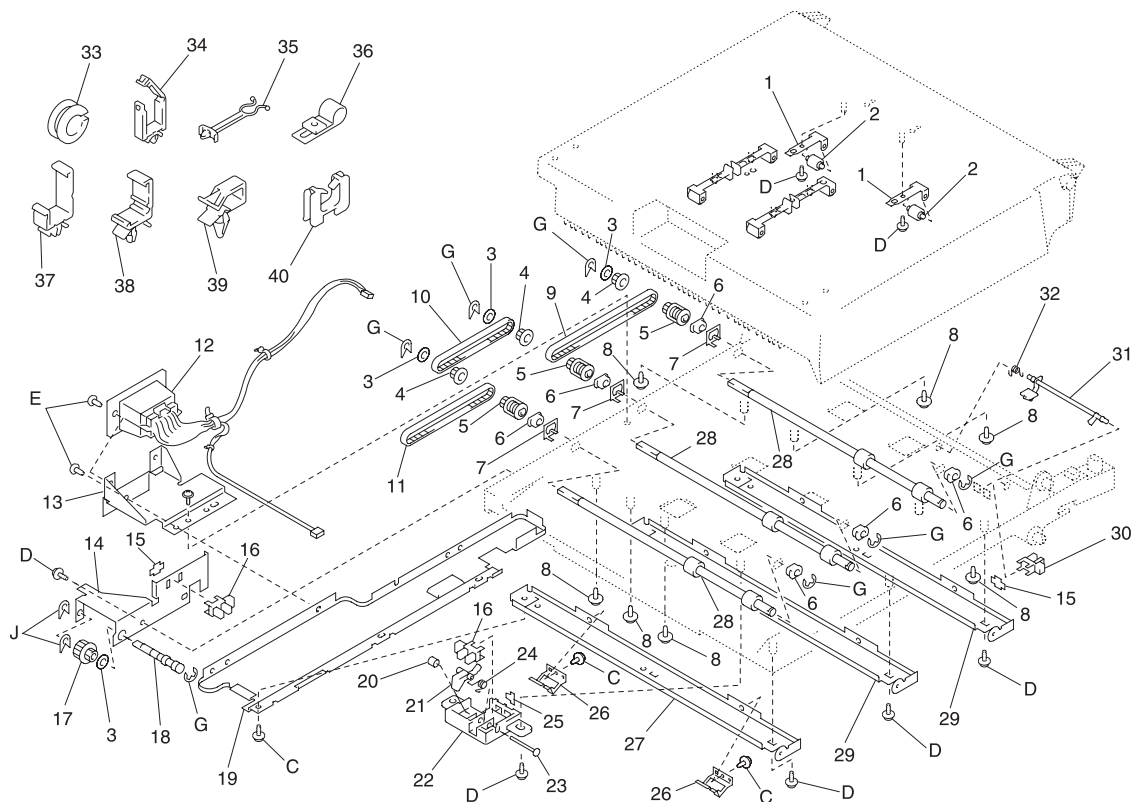
**Assembly 33 (cont.): Finisher Stapler Unit/Finisher Tray**

Ref	Part Number	Units	Description
33-34	12G3343	1	Shoulder Screw
-35	12G3344	1	Bracket
-36	12G3106	1	Photo Interrupter, PC2 Finish Pos.
-37	12G3345	1	Polyester Film
-38	12G3346	1	Lever
-39	12G3347	1	Roll
-40	12G3348	1	Tray
-41	12G3349	1	Stay
-42	12G3350	1	Tray
-43	12G3351	1	Torsion Spring
-44	12G3352	1	Torsion Spring
-45	12G3353	2	Rail
-46	12G3038	2	Cushion
-47	12G3354	2	Tension Spring
-48	12G3355	1	Guide
-49	12G2486	16	Wiring Saddle 5.2h
-50	12G2487	2	Wiring Saddle 6.4h
-51	12G3024	6	Wiring Saddle 16.8h
-52	12G3356	22	Wiring Saddle 14.4h
-53	12G2490	7	Edge Cover 8.5h
-54	12G2491	4	Edge Cover 15.4h
-54	12G2492	3	Edge Cover 25.0h
-55	12G3027	16	Wiring Saddle 3.8h
-56	12G3357	2	Cord Clamp
-57	12G2102	1	Stopper
-58	12G3358	1	Polyester Film
-59	12G3360	1	Polyester Film
-A		1	Parts Packet 1, PN 12G3400
-C		1	Parts Packet 3, PN 12G3402
-F		1	Parts Packet 6, PN 12G3405
-G		1	Parts Packet 7, PN 12G3406

**Assembly 34: Finisher/Mailbox Horizontal Transfer (A)**

**Assembly 34: Finisher/Mailbox Horizontal Transfer (A)**

Ref	Part Number	Units	Description
34-1	12G2967	1	Cover
-2	12G2968	1	Bracket
-3	12G2969	1	Tension Spring
-4	12G2970	2	Roll
-5	12G2971	2	Bushing
-6	12G2972	1	Lever
-7	12G2973	1	Solenoid, Switch SL1
-8	12G2974	2	Seal
-9	12G2975	2	Magnet Catch
-10	12G2976	1	Cover
-11	12G2977	1	Handle
-12	12G2978	2	Plate
-13	12G2979	1	Rear Cover
-14	12G2980	1	Cushion
-15	12G2981	1	Guide Plate
-16	12G2982	1	Lower Cover
-17	12G2983	1	Shoulder Screw
-18	12G2984	1	Lever
-19	12G2985	4	Cushion
-20	12G2986	1	Torsion Spring
-21	12G2987	1	Guide Plate
-22	12G2988	1	Guide Plate
-A		1	Parts Packet 1, PN 12G3400
-C		1	Parts Packet 3, PN 12G3402
-D		1	Parts Packet 4, PN 12G3403
-E		1	Parts Packet 5, PN 12G3404
-F		1	Parts Packet 6, PN 12G3405
-G		1	Parts Packet 7, PN 12G3406

**Assembly 35: Finisher/Mailbox Horizontal Transfer (B)**

**Assembly 35: Finisher/Mailbox Horizontal Transfer (B)**

Ref	Part Number	Units	Description
35-1	12G2993	2	Plate Spring
-2	12G2994	2	Roll
-3	12G2995	4	Washer
-4	12G2996	3	Pulley 17t
-5	12G2997	3	Clutch
-6	12G2971	6	Bushing
-7	12G2998	3	Ground Plate
-8	12G2119	7	Screw
-9	12G3000	1	Timing Belt
-10	12G3001	1	Timing Belt
-11	12G3002	1	Timing Belt
-12	12G3003	1	Harness
-13	12G3004	1	Bracket
-14	12G3005	1	Bracket
-15	12G2173	2	Stopper
-16	12G3006	2	Photo Interrupter, PC1, PC4
-17	12G3007	1	Ply Gear 16/17t
-18	12G3008	1	Shaft
-19	12G3009	1	Frame
-20	12G2053	1	Retaining Ring
-21	12G3010	1	Actuator
-22	12G3011	1	Cover
-23	12G3012	1	Pin
-24	12G3026	1	Torsion Spring
-25	12G3013	1	Stopper
-26	12G3014	2	Plate Spring
-27	12G3015	1	Reinforce Plate
-28	12G3016	3	Roller
-29	12G3017	2	Reinforce Plate
-30	12G3018	1	Photo Interrupter, PC6 Empty
-31	12G3019	1	Actuator
-32	12G3020	1	Torsion Spring
-33	12G3021	1	Grommet

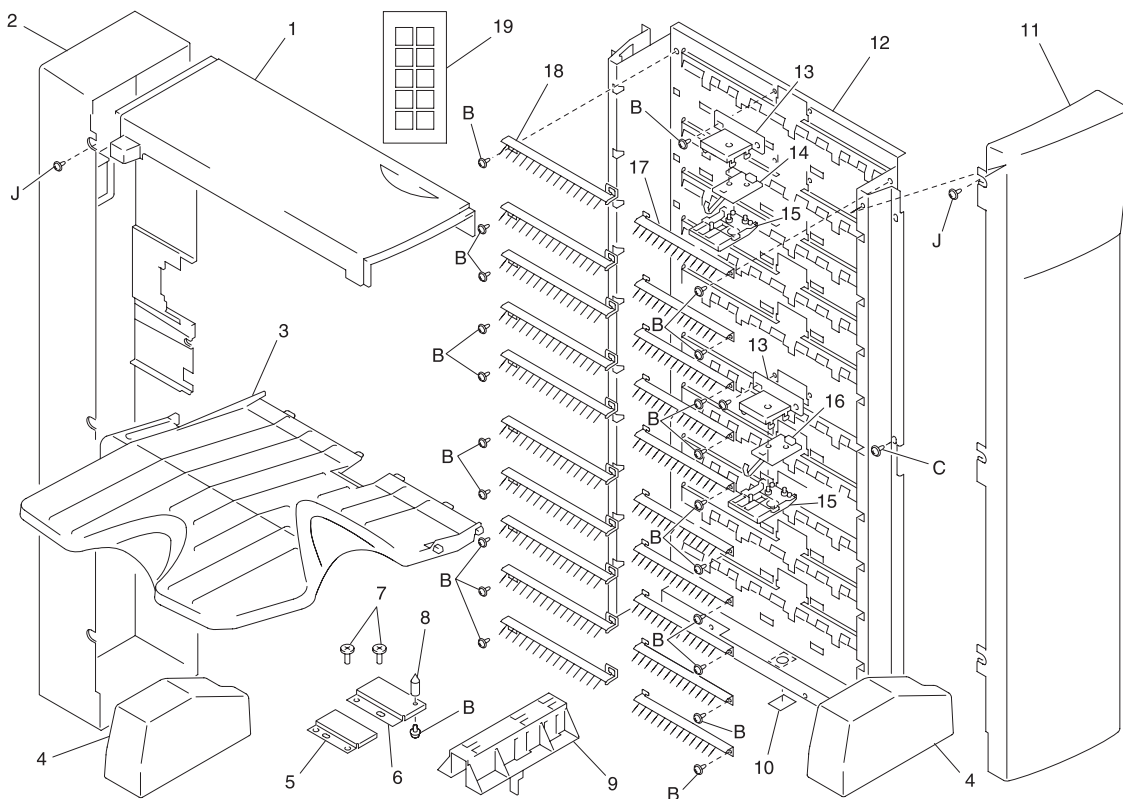




## Assembly 35 (cont.): Finisher/Mailbox Horizontal Transfer (B)

Ref	Part Number	Units	Description
35-34	12G2486	1	Wiring Saddle 5.2h
-35	12G3025	1	Wiring Saddle 8.0h
-36	12G3027	11	Wiring Saddle 3.8h (Mailbox only)
-37	12G2488	5	Wiring Saddle 27h (Mailbox only)
-38	12G3024	2	Wiring Saddle 16.8h (Mailbox only)
-39	12G3025	1	Wiring Saddle 8.0h (Mailbox only)
-40	12G2490	2	Edge Cover 8.5h (Mailbox only)
-C		1	Parts Packet 3, PN 12G3402
-D		1	Parts Packet 4, PN 12G3403
-E		1	Parts Packet 5, PN 12G3404
-G		1	Parts Packet 7, PN 12G3406
-J		1	Parts Packet 10, PN 12G3409

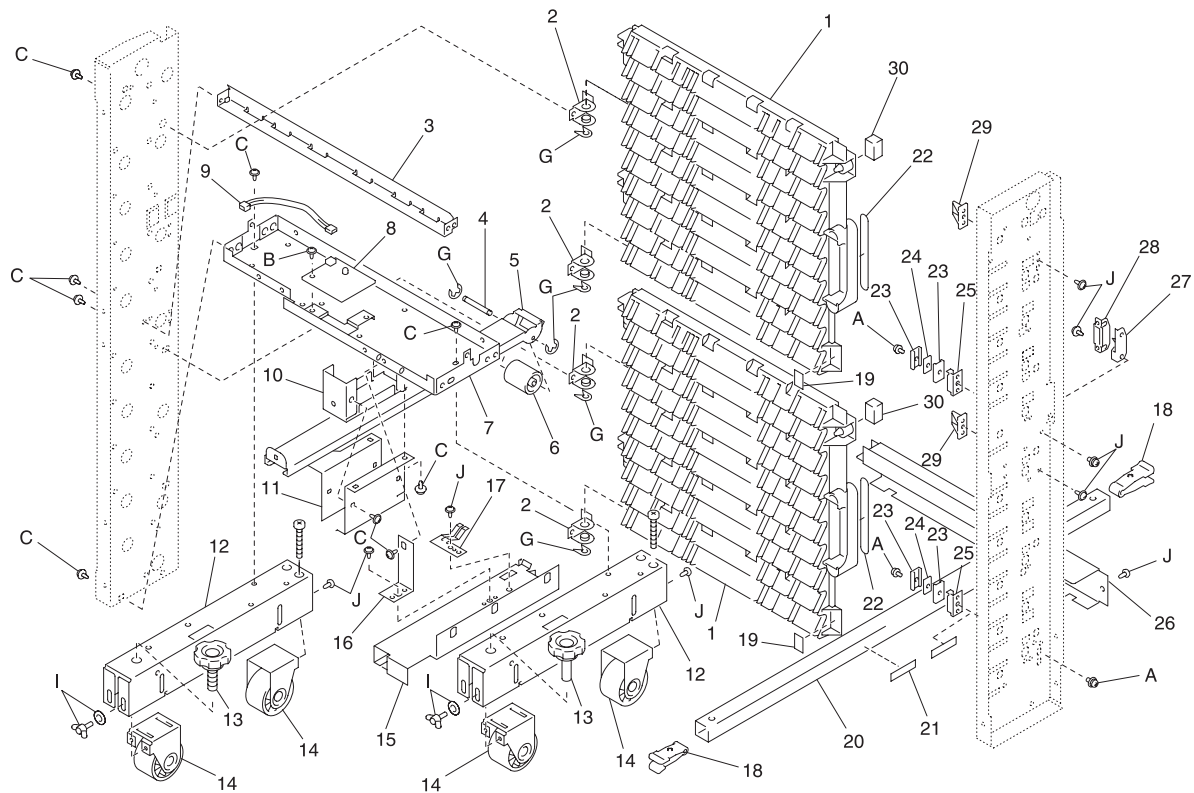
## Assembly 36: Mailbox Housing



**Assembly 36: Mailbox Housing**

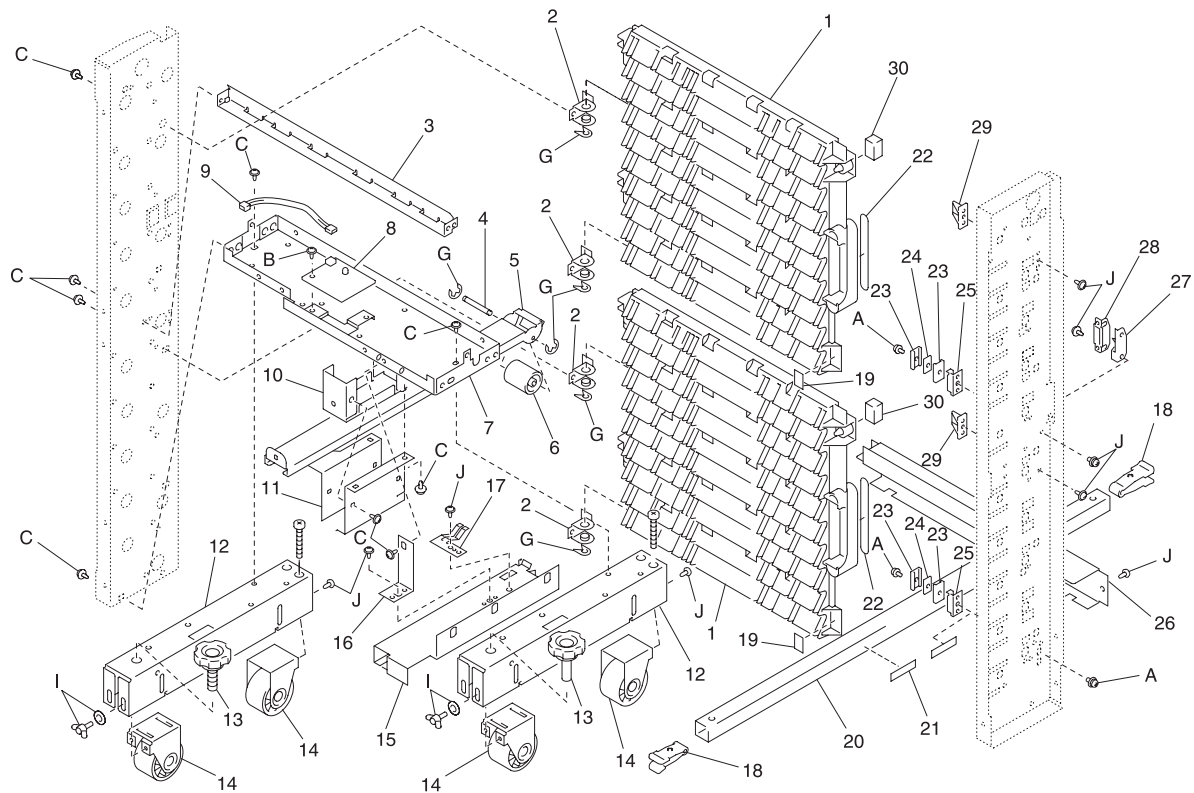
<b>Ref</b>	<b>Part Number</b>	<b>Units</b>	<b>Description</b>
36-1	12G2828	1	Top Cover
-2	12G2829	1	Rear Cover
-3	12G2830	10	Tray
-4	12G2831	2	Cover
-5	12G2832	1	Plate
-6	12G2833	1	Plate
-7	12G2939	2	Shoulder Screw
-8	12G2068	1	Pin
-9	12G2834	1	Holder
-10	12G2835	1	Polyester Film
-11	12G2836	1	Front Cover
-12	12G2837	1	Bin Rack
-13	12G2838	2	Bracket
-14	12G2839	1	PWB-B, Paper Exit Board
-15	12G2840	2	Cover
-16	12G2918	1	PWB-D, Paper Exit
-17	12G2841	10	Neutralizing Brush
-18	12G2842	10	Neutralizing Brush
-19	12G2843	1	Label
-B		1	Parts Packet 2, PN 12G3401
-C		1	Parts Packet 3, PN 12G3402
-J		1	Parts Packet 10, PN 12G3409

# Assembly 37: Mailbox Frames



**Assembly 37: Mailbox Frames**

<b>Ref</b>	<b>Part Number</b>	<b>Units</b>	<b>Description</b>
37-1	12G2846	2	Guide
-2	12G2847	4	Support Plate
-3	12G2848	1	Guide Plate
-4	12G2849	1	Shaft
-5	12G2850	1	Foot
-6	12G2851	1	Roll
-7	12G2852	1	Base Frame
-8	12G2853	1	PW Board-C, PWB-C
-9	12G2854	1	Harness
-10	12G2855	1	Support Plate
-11	12G2856	1	Bracket
-12	12G2857	2	Foot
-13	12G2858	2	Adjusting Bolt
-14	12G2859	4	Caster
-15	12G2860	1	Stop Plate
-16	12G2861	1	Stop Plate
-17	12G2862	1	Ground Plate
-18	12G2863	2	Stopper
-19	12G2864	2	Plate
-20	12G2865	1	Pipe
-21	12G2866	1	Label
-22	12G2867	2	Label
-23	12G2868	4	Plate
-24	12G2869	2	Magnet
-25	12G2870	2	Bracket
-26	12G2871	1	Cover
-27	12G2872	1	Ground Plate
-28	12G2873	1	Magnet Catch
-29	12G2874	4	Holder
-30	12G2875	2	Rubber Strip

**Assembly 37 (cont.): Mailbox Frames**

**Assembly 37 (cont.): Mailbox Frames**

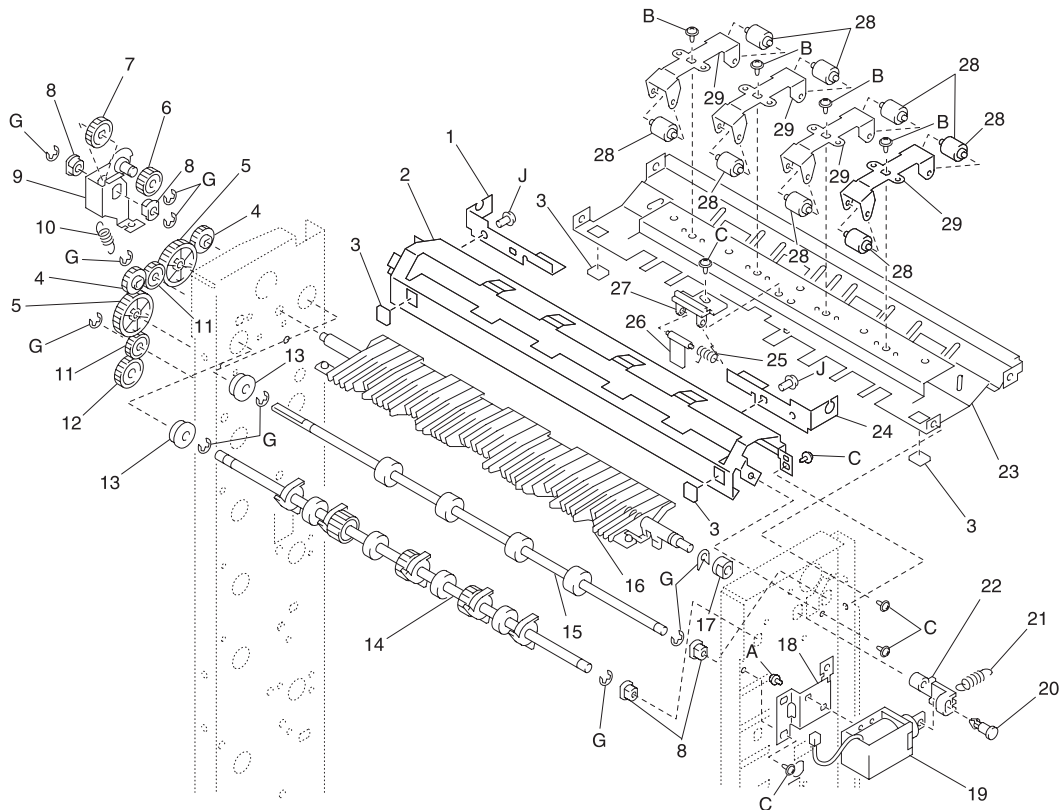
<b>Ref</b>	<b>Part Number</b>	<b>Units</b>	<b>Description</b>
37-A		1	Parts Packet 1, PN 12G3400
-B		1	Parts Packet 2, PN 12G3401
-C		1	Parts Packet 3, PN 12G3402
-G		1	Parts Packet 7, PN 12G3406
-I		1	Parts Packet 9, PN 12G3408
-J		1	Parts Packet 10, PN 12G3409





**Assembly 38: Mailbox Paper Transport (A)**

Ref	Part Number	Units	Description
38-1	12G2883	1	Bracket
-2	12G2884	1	Guide Plate
-3	12G2885	4	Cushion
-4	12G2920	2	Gear 17 T
-5	12G2886	2	Gear 37 T
-6	12G2887	1	Gear 18 T
-7	12G2888	1	Gear 20 T
-8	12G2971	4	Bushing
-9	12G2889	1	Axle Plate
-10	12G2890	1	Tension Spring
-11	12G2891	2	Gear 17 T
-12	12G2928	1	Gear 19 T
-13	12G2892	2	Ball Bearing
-14	12G2893	1	Roller
-15	12G2894	1	Roller
-16	12G2895	1	Guide
-17	12G2896	1	Bushing
-18	12G2897	1	Bracket
-19	12G2898	1	Solenoid, SL1 Non-sort
-20	12G2899	1	Stopper
-21	12G2900	1	Tension Spring
-22	12G2901	1	Holder
-23	12G2902	1	Guide Plate
-24	12G2903	1	Bracket
-25	12G2904	1	Torsion Spring
-26	12G2905	1	Actuator
-27	12G2906	1	Holder
-28	12G2907	8	Roll
-29	12G2908	4	Plate Spring

**Assembly 38 (cont.): Mailbox Paper Transport (A)**

**Assembly 38 (cont.): Mailbox Paper Transport (A)**

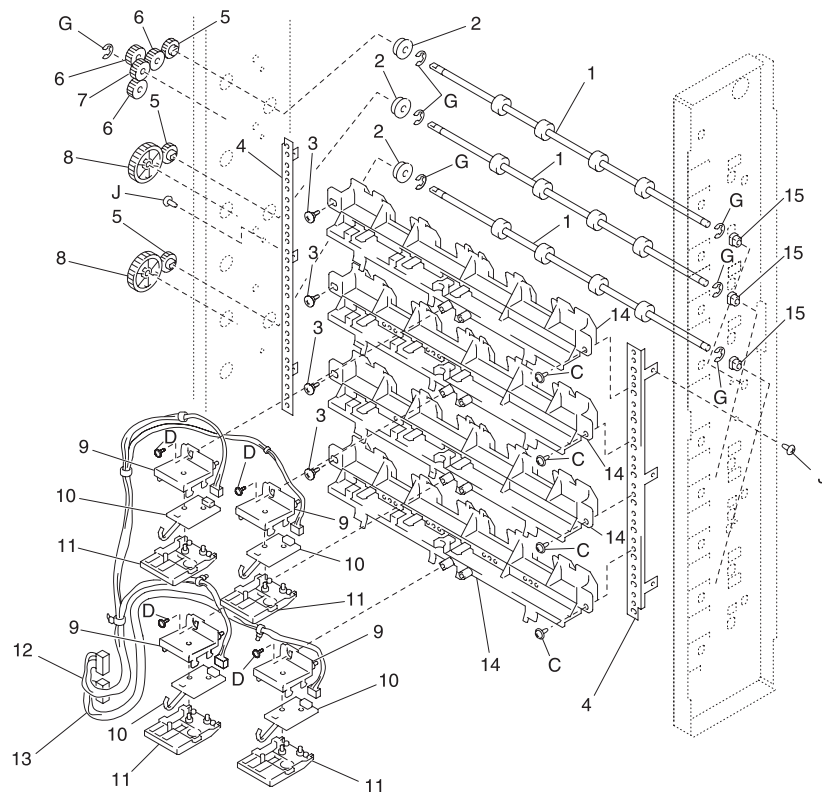
<b>Ref</b>	<b>Part Number</b>	<b>Units</b>	<b>Description</b>
38-A		1	Parts Packet 1, PN 12G3400
-B		1	Parts Packet 2, PN 12G3401
-C		1	Parts Packet 3, PN 12G3402
-G		1	Parts Packet 7, PN 12G3406
-J		1	Parts Packet 10, PN 12G3409



**Assembly 39: Mailbox Paper Transport (B)**

<b>Ref</b>	<b>Part Number</b>	<b>Units</b>	<b>Description</b>
39-1	12G2916	2	Roller
-2	12G2892	2	Ball Bearing
-3	12G2917	2	Bracket
-4	12G2920	2	Gear 17t
-5	12G2886	2	Gear 37t
-6	12G2911	5	Shoulder Screw
-7	12G2912	5	Guide
-8	12G2907	8	Roll
-9	12G2913	8	Plate Spring
-10	12G2914	4	Bracket
-11	12G2918	4	PW Board-D, PWB-D1–PWB-D4
-12	12G2840	4	Cover
-13	12G2915	1	Harness
-14	12G2971	2	Bushing
-C		1	Parts Packet 3, PN 12G3402
-D		1	Parts Packet 4, PN 12G3403
-G		1	Parts Packet 7, PN 12G3403
-J		1	Parts Packet 10, PN 12G3409

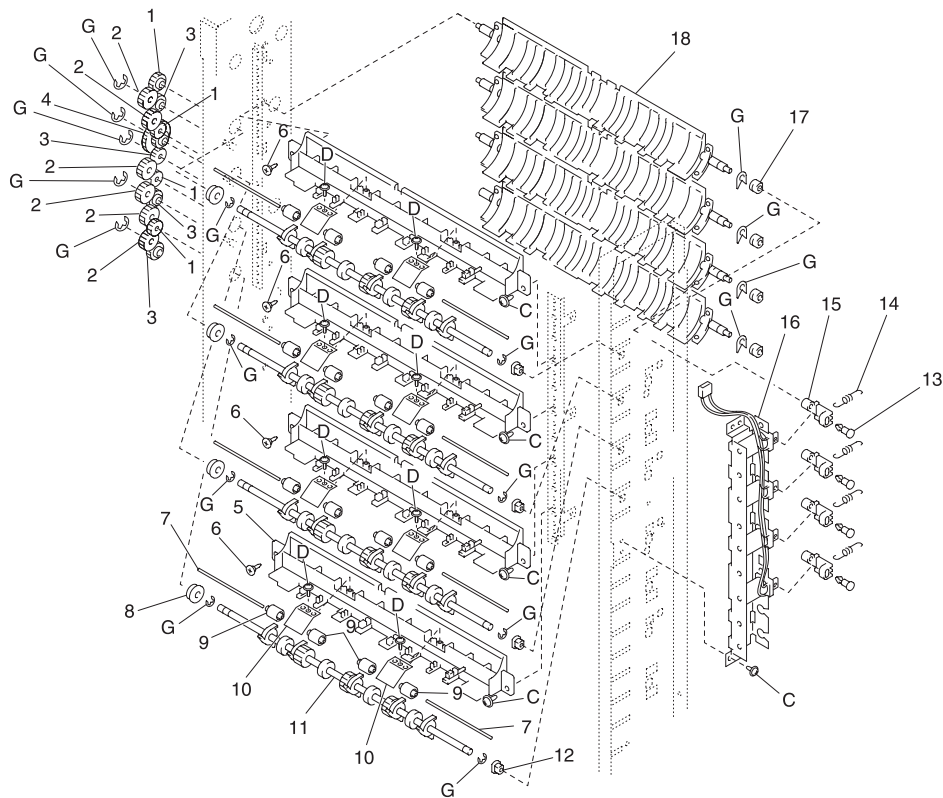
# Assembly 40: Mailbox Paper Transport (C)



**Assembly 40: Mailbox Paper Transport (C)**

<b>Ref</b>	<b>Part Number</b>	<b>Units</b>	<b>Description</b>
40-1	12G2916	3	Roller
-2	12G2892	3	Ball Bearing
-3	12G2911	4	Shoulder Screw
-4	12G2917	2	Bracket
-5	12G2920	3	Gear 17t
-6	12G2928	3	Gear 19t
-7	12G2891	1	Gear 17t
-8	12G2886	2	Gear 37t
-9	12G2914	4	Bracket
-10	12G2918	4	PW Board-D, PWB-D6–PWB-D9
-11	12G2840	2	Cover
-12	12G2915	1	Harness
-13	12G2919	1	Harness
-14	12G2912	4	Guide
-15	12G2971	3	Bushing
-C		1	Parts Packet 3, PN 12G3402
-D		1	Parts Packet 4, PN 12G3403
-G		1	Parts Packet 7, PN 12G3406
-J		1	Parts Packet 10, PN 12G3409

# Assembly 41: Mailbox Paper Transport (D)

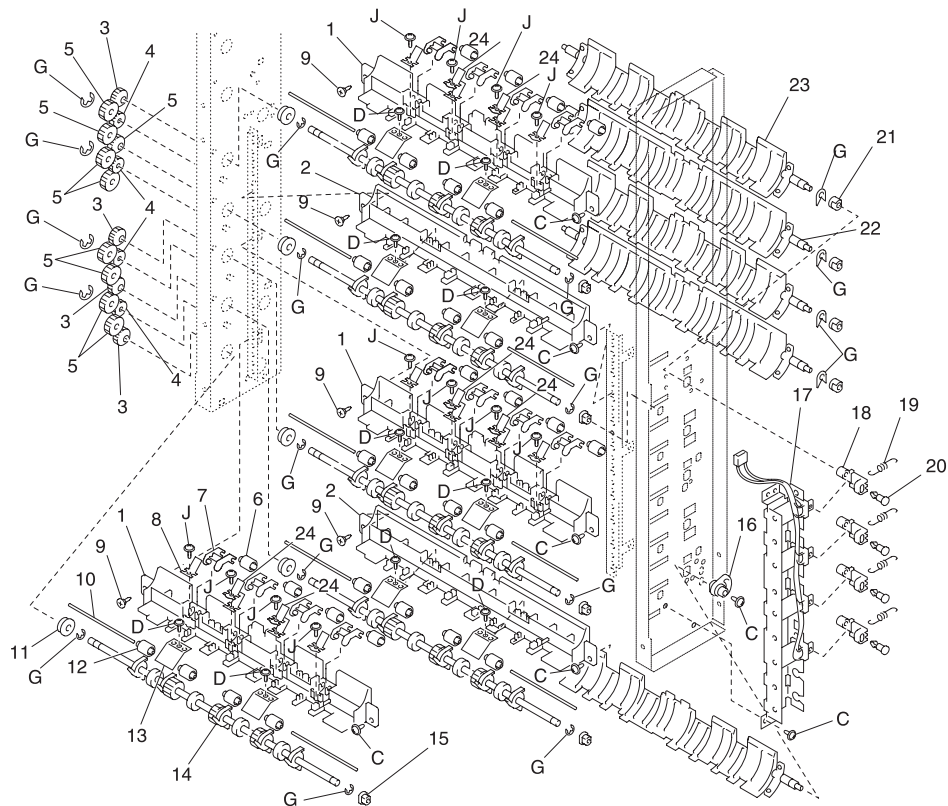




**Assembly 41: Mailbox Paper Transport (D)**

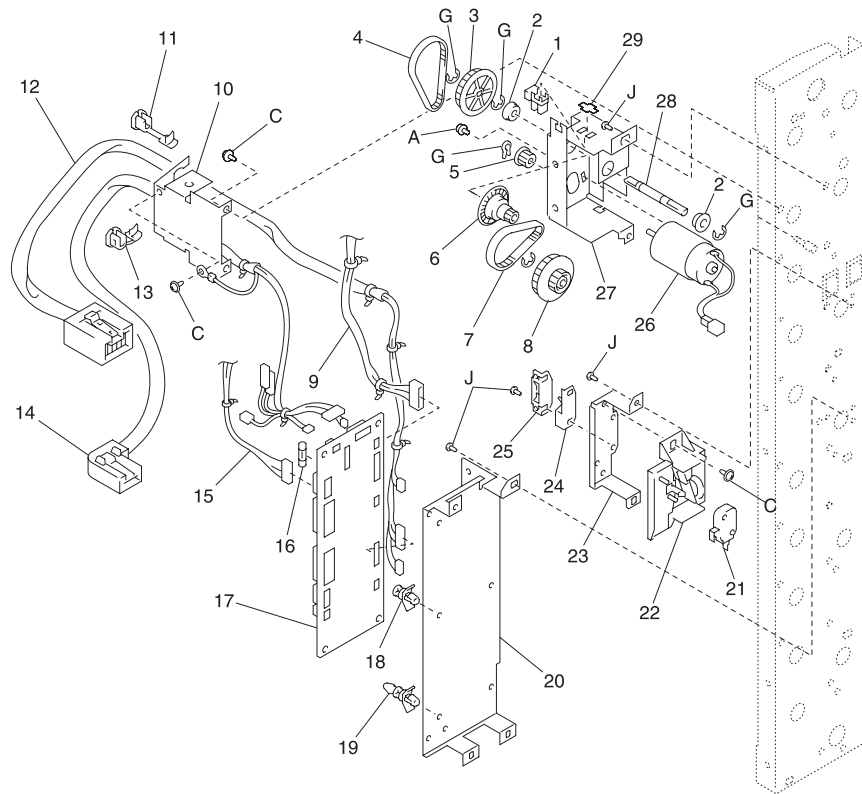
<b>Ref</b>	<b>Part Number</b>	<b>Units</b>	<b>Description</b>
41-1	12G2920	4	Gear 17t
-2	12G2928	6	Gear 19t
-3	12G2891	4	Gear 17t
-4	12G2921	1	Gear 18/40 T
-5	12G2922	4	Guide
-6	12G2911	4	Shoulder Screw
-7	12G2923	8	Shaft
-8	12G2892	4	Ball Bearing
-9	12G2924	16	Roll
-10	12G2932	8	Plate Spring
-11	12G2893	4	Roller
-12	12G2971	4	Bushing
-13	12G2899	4	Stopper
-14	12G2935	4	Tension Spring
-15	12G2901	4	Holder
-16	12G2925	1	Solenoid, Deflect SL2
-17	12G2896	4	Bushing
-18	12G2926	4	Guide
-C		1	Parts Packet 3, PN 12G3402
-D		1	Parts Packet 4, PN 12G3403
-G		1	Parts Packet 7, PN 12G3406

# Assembly 42: Mailbox Paper Transport (E)



**Assembly 42: Mailbox Paper Transport (E)**

Ref	Part Number	Units	Description
42-1	12G2927	3	Guide
-2	12G2922	2	Guide
-3	12G2920	5	Gear 17t
-4	12G2891	4	Gear 17t
-5	12G2928	8	Gear 19t
-6	12G2924	20	Roll
-7	12G2929	12	Holder
-8	12G2930	12	Plate Spring
-9	12G2911	5	Shoulder Screw
-10	12G2923	10	Shaft
-11	12G2892	5	Ball Bearing
-12	12G2931	12	Roll
-13	12G2932	10	Plate Spring
-14	12G2893	5	Roller
-15	12G2971	5	Bushing
-16	12G2933	1	Bushing
-17	12G2934	1	Solenoid, Deflect SL3
-18	12G2901	4	Holder
-19	12G2935	4	Tension Spring
-20	12G2899	4	Stopper
-21	12G2896	4	Bushing
-22	12G2926	2	Guide
-23	12G2936	3	Guide
-24	12G2937	6	Plate Spring
-C		1	Parts Packet 3, PN 12G3402
-D		1	Parts Packet 4, PN 12G3403
-G		1	Parts Packet 7, PN 12G3406
-J		1	Parts Packet 10, PN 12G3409

**Assembly 43: Mailbox Drive**

**Assembly 43: Mailbox Drive**

Ref	Part Number	Units	Description
43-1	12G2940	1	Photo Interrupter, PC1 Non-sort
-2	12G2844	2	Ball Bearing
-3	12G2941	1	Pulley 64 T
-4	12G2942	1	Timing Belt
-5	12G2943	1	Pulley
-6	12G2944	1	Pulley 16 T
-7	12G2945	1	Timing Belt
-8	12G2946	1	Ply Gear 64/18 T
-9	12G2947	1	Harness
-10	12G2948	1	Holder
-11	12G2949	1	Cord Bushing
-12	12G2950	1	Harness
-13	12G2951	1	Cord Bushing
-14	12G2952	1	Harness
-15	12G2953	1	Harness
-16	12G2954	1	Fuse 0.5A
-17	12G2955	1	PWB-A, Main Drive Board
-18	12G2956	2	PWB Support 9.53h
-19	12G2957	4	PWB Support 9.53h
-20	12G2958	1	Bracket
-21	12G2959	1	Microswitch, Power S1
-22	12G2960	1	Holder
-23	12G2961	1	Bracket
-24	12G2872	1	Ground Plate
-25	12G2873	1	Magnet Catch
-26	12G2962	1	Motor Asm, Transport M1
-27	12G2963	1	Bracket
-28	12G2964	1	Shaft
-29	12G2173	1	Stopper
-A		1	Parts Packet 1, PN 12G3400
-C		1	Parts Packet 3, PN 12G3402
-G		1	Parts Packet 7, PN 12G3406
-J		1	Parts Packet 10, PN 12G3409

4023-001

## **Assembly 44: Optional Features (No illustration)**

**Assembly 44: Optional Features**

<b>Ref</b>	<b>Part Number</b>	<b>Units</b>	<b>Description</b>
	99A0421	1	Ethernet Card
	99A0420	1	Token-Ring Card
	12G3422	1	Transfer MMKit
	12G3421	1	Fuser 110V MMKit
	12G3420	1	Fuser 220V MMKit
	99A0459	1	Hard Disk
	11G0610	1	Cable, Hard Disk
	99A0422	1	Ethernet 10BaseT and 10Base2
	99A0467	1	Parallel Port Adapter
	99A0424	1	Infrared Adapter
	99A0545	1	Serial Interface Adapter
	12G3522	1	Printer Field-Return Packaging
	12G3543	1	TIFF Image Quick SIMM
	99A1088	1	Prescribe Code SIMM
	12G3426	1	IPDS and SCS/TNe SIMM
	99A1127	1	Barcode SIMM