

# Parts Breakdown

## Lexmark E32X

### 4500-001

Extracted From Service Manual



**LEXMARK**<sup>TM</sup>

Passion for printing ideas.<sup>TM</sup>

**Edition: September 2001**

**The following paragraph does not apply to any country where such provisions are inconsistent with local law:** LEXMARK INTERNATIONAL, INC. PROVIDES THIS PUBLICATION “AS IS” WITHOUT WARRANTY OF ANY KIND, EITHER EXPRESS OR IMPLIED, INCLUDING, BUT NOT LIMITED TO, THE IMPLIED WARRANTIES OF MERCHANTABILITY OR FITNESS FOR A PARTICULAR PURPOSE. Some states do not allow disclaimer of express or implied warranties in certain transactions; therefore, this statement may not apply to you.

This publication could include technical inaccuracies or typographical errors. Changes are periodically made to the information herein; these changes will be incorporated in later editions. Improvements or changes in the products or the programs described may be made at any time.

Comments may be addressed to Lexmark International, Inc., Department D22A/032-2, 740 West New Circle Road, Lexington, Kentucky 40550, U.S.A or e-mail at ServiceInfoAndTraining@Lexmark.com. Lexmark may use or distribute any of the information you supply in any way it believes appropriate without incurring any obligation to you. You can purchase additional copies of publications related to this product by calling 1-800-553-9727. In other countries, contact your point of purchase.

Lexmark, Lexmark with diamond design, ImageQuick, and MarkVvision are trademarks of Lexmark International, Inc., registered in the United States and/or other countries.

Other trademarks are the property of their respective owners.

**© Copyright Lexmark International, Inc. 2001.**

**All rights reserved.**

**UNITED STATES GOVERNMENT RESTRICTED RIGHTS**

This software and documentation are provided with RESTRICTED RIGHTS. Use, duplication or disclosure by the Government is subject to restrictions as set forth in subparagraph (c)(1)(ii) of the Rights in Technical Data and Computer Software clause at DFARS 252.227-7013 and in applicable FAR provisions: Lexmark International, Inc., Lexington, KY 40550.

---

## 7. Parts Catalog

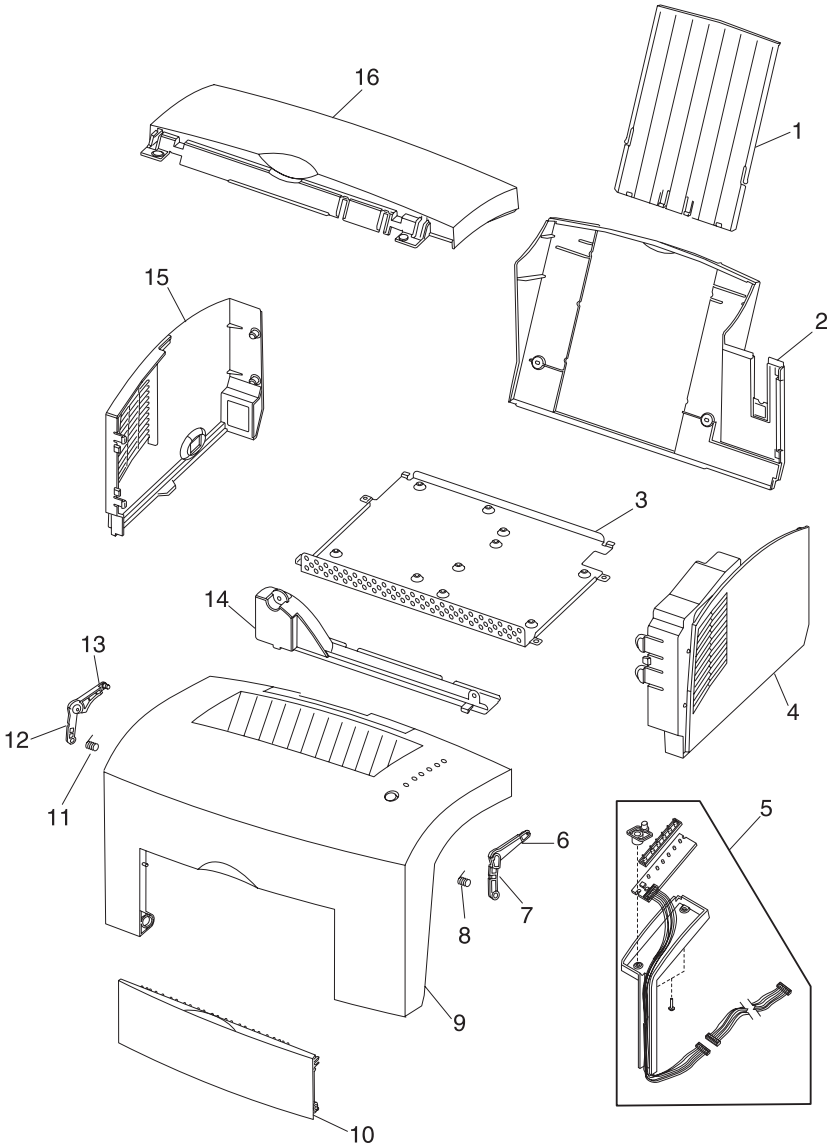
---

### How to Use this Parts Catalog

---

- **SIMILAR ASSEMBLIES:** If two assemblies contain a majority of identical parts, they are shown on the same list. Common parts are shown by one index number. Parts peculiar to one or the other of the assemblies are listed separately and identified by description.
- **AR:** (As Required) in the Units column indicates that the quantity is not the same for all machines.
- **NS:** (Not Shown) in the Asm-Index column indicates that the part is procurable but is not pictured in the illustration.
- **PP:** (Parts Packet) in the parts description column indicates the part is contained in a parts packet.

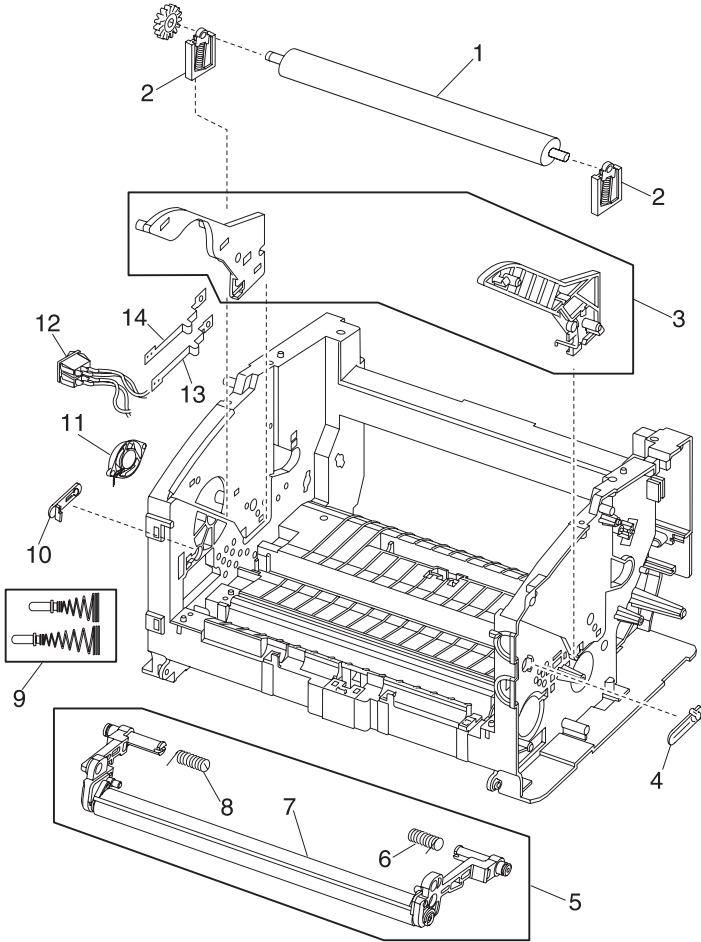
# Assembly 1: Covers



**Assembly 1: Covers**

<b>Asm-Index</b>	<b>Part Number</b>	<b>Units</b>	<b>Description</b>
1–1	12G4456	1	Assembly, Tray Extension
2	12G4455	1	Assembly, Cover, Rear
3	12G4458	1	Cover, Bottom
4	12G4453	1	Cover, Right Side
5	12G4457	1	Assembly, Operator Panel
6	12G4466	1	Hinge, Right Rear
7	12G4468	1	Hinge, Right Front
8	12G4535	1	Spring, Front Cover Right
9	12G4543	1	Cover, Front–Model E320
9	12G4542	1	Cover, Front–Model E322
10	12G4450	1	Cover, Access
11	12G4536	1	Spring, Front Cover Left
12	12G4469	1	Hinge, Left Front
13	12G4467	1	Hinge, Left Rear
14	12G4459	1	Duct, Cooling
15	12G4451	1	Cover, Left Side
16	12G4452	1	Cover, Top
NS	12G0176	1	Cover, Media

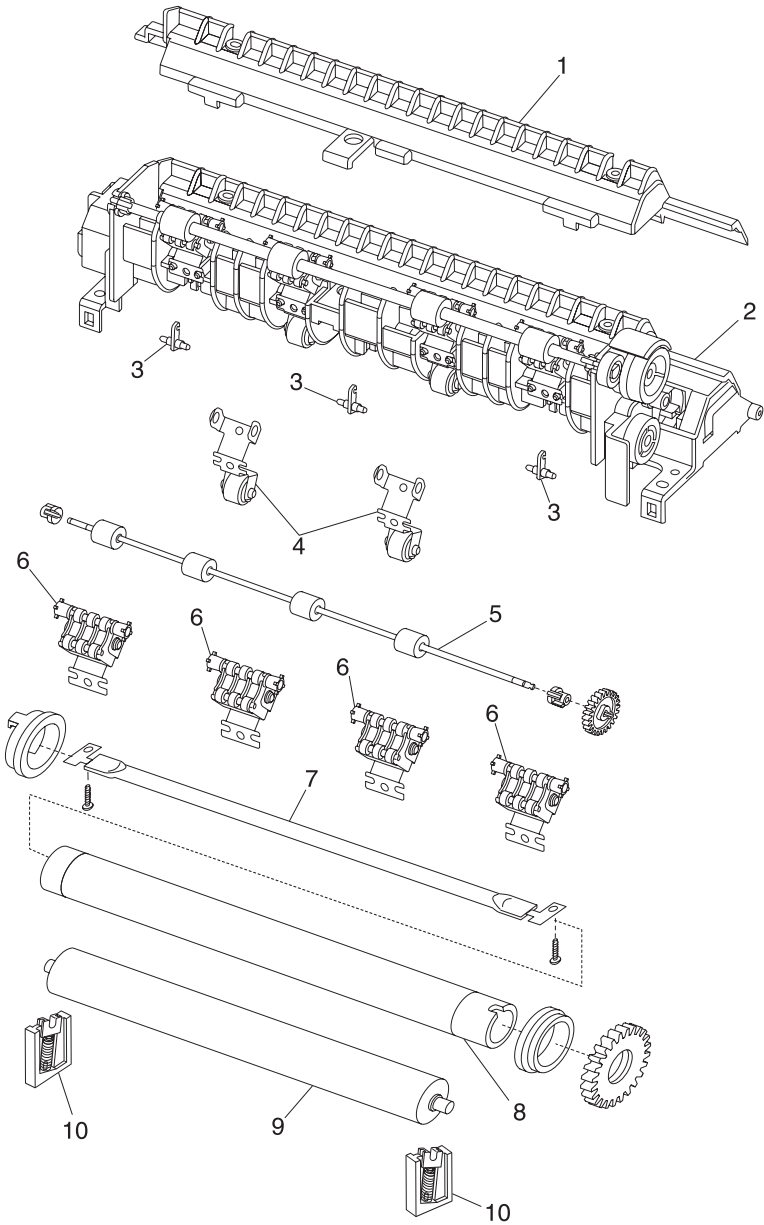
# Assembly 2: Frame



**Assembly 2: Frame**

<b>Asm-Index</b>	<b>Part Number</b>	<b>Units</b>	<b>Description</b>
2-1	12G4470	1	Roll, Transfer
2	12G4471	1	Bearing, Transfer
3	12G4473	1	B/M, Rail
4	12G4534	1	Bracket, Right
5	12G4465	1	Assembly, Charge Roll
6	12G4464	1	Spring, Charge Roll Right
7	12G4462	1	Roll, Charge
8	12G4463	1	Spring, Charge Roll Left
9	12G4510	1	Spring, HVPS Contact
10	12G4533	1	Bracket, Left
11	12G4460	1	Fan, Cooling
12	12G4461	1	Switch Assembly, Power
13	12G4511	1	Strap, Contact
14	12G4512	1	Strap, Contact

# Assembly 3: Fuser

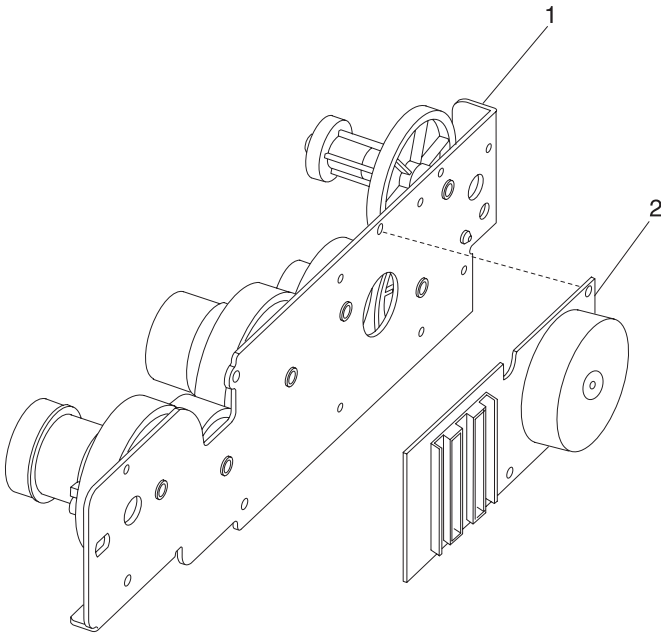




**Assembly 3: Fuser**

<b>Asm-Index</b>	<b>Part Number</b>	<b>Units</b>	<b>Description</b>
3-1	12G4488	1	Cover, Fuser
2	12G4484	1	Fuser Assembly, 110 V
2	12G4486	1	Fuser Assembly, 220 V
3	12G4495	3	Pawl, Detack
4	12G4492	2	Roller, Exit, Idler
5	12G4493	1	Roller, Exit, Redrive
6	12G4496	4	Roll Assembly, Idler
7	12G4485	1	Lamp, Fuser, 110 V
7	12G4487	1	Lamp, Fuser, 220 V
8	12G4491	1	Roll, Fuser, Hot
9	12G4494	1	Roll, Fuser, Backup
10	12G4489	2	Bearing, Backup Roll

# Assembly 4: Main Drive

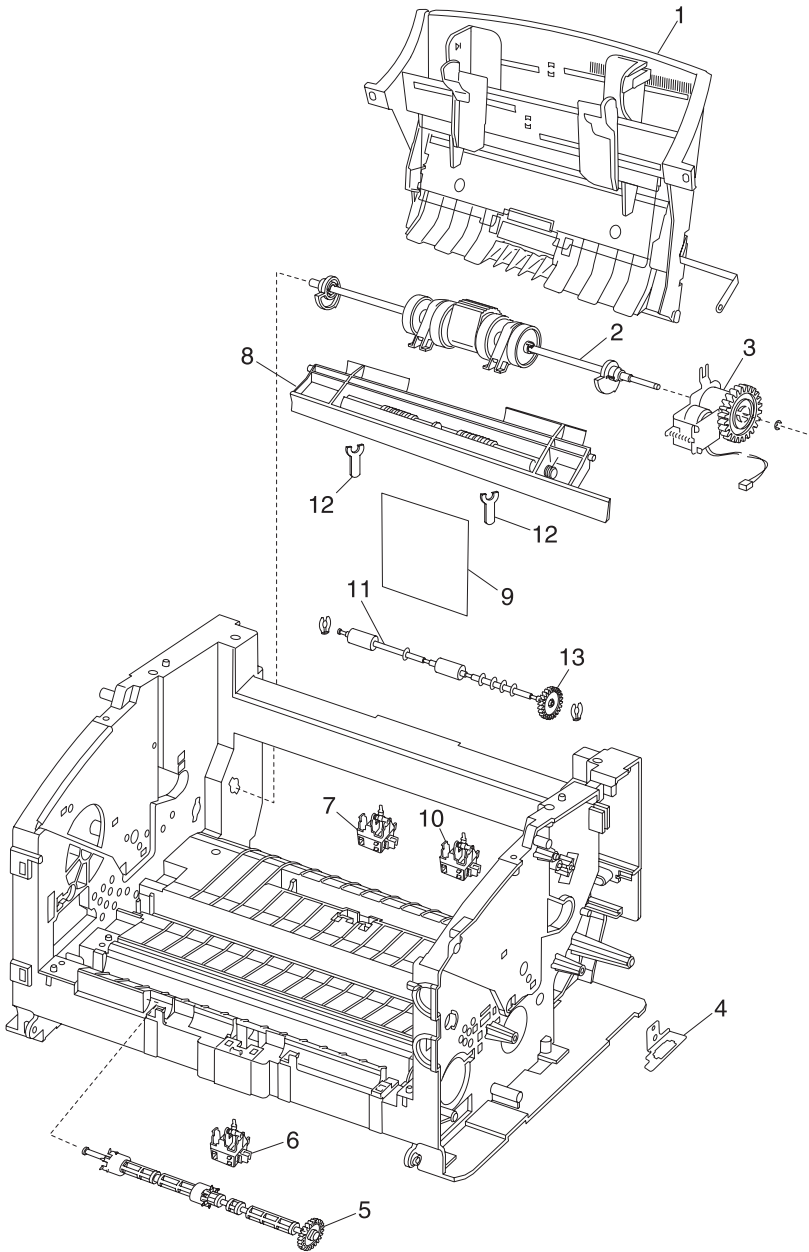


4500–32x

### Assembly 4: Main Drive

Asm-Index	Part Number	Units	Description
4-1	12G4500	1	Gear Assembly, Drive
2	12G4499	1	Motor, Drive

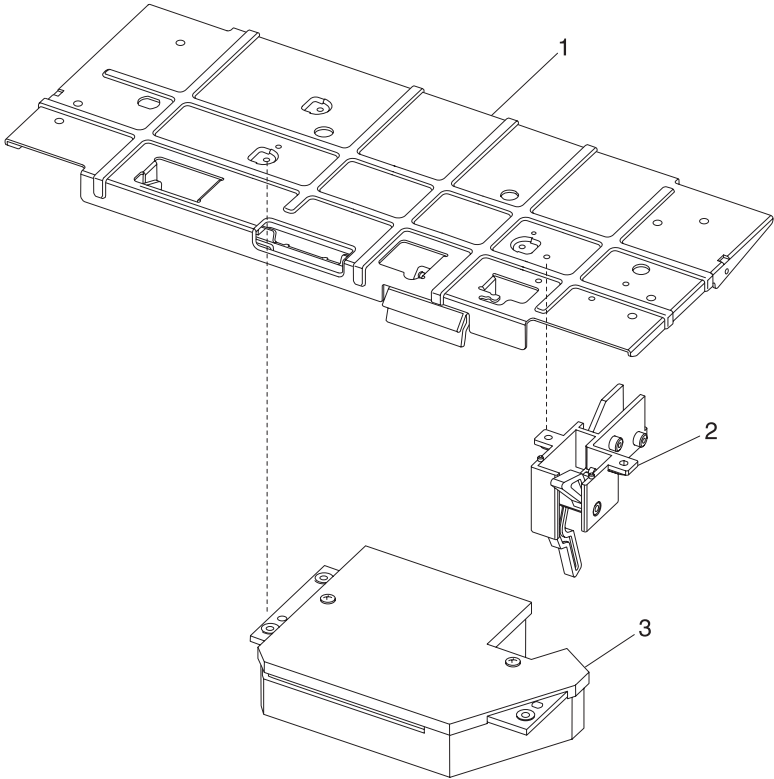
# Assembly 5: Paper Feed



**Assembly 5: Paper Feed**

<b>Asm-Index</b>	<b>Part Number</b>	<b>Units</b>	<b>Description</b>
5-1	12G4481	1	Assembly, Sheet Feed
2	12G4483	1	Assembly, D-Roll
3	12G4541	1	Clutch Assembly, Paper Feed
4	12G4482	1	Bracket, Tray 2 Connector
5	12G4490	1	Roll, Paper Feed
6	12G4476	1	Sensor, Exit
7	12G4475	1	Sensor, Registration
8	12G4474	1	Roll Assembly, Registration
9	12G4480	1	Strip, D-Roll
10	12G4477	1	Sensor, Cartridge
11	12G4538	1	Roller, Lower Registration
12	12G4539	2	Bushing, Registration Roller
13	12G4540	1	Gear, Registration Roller

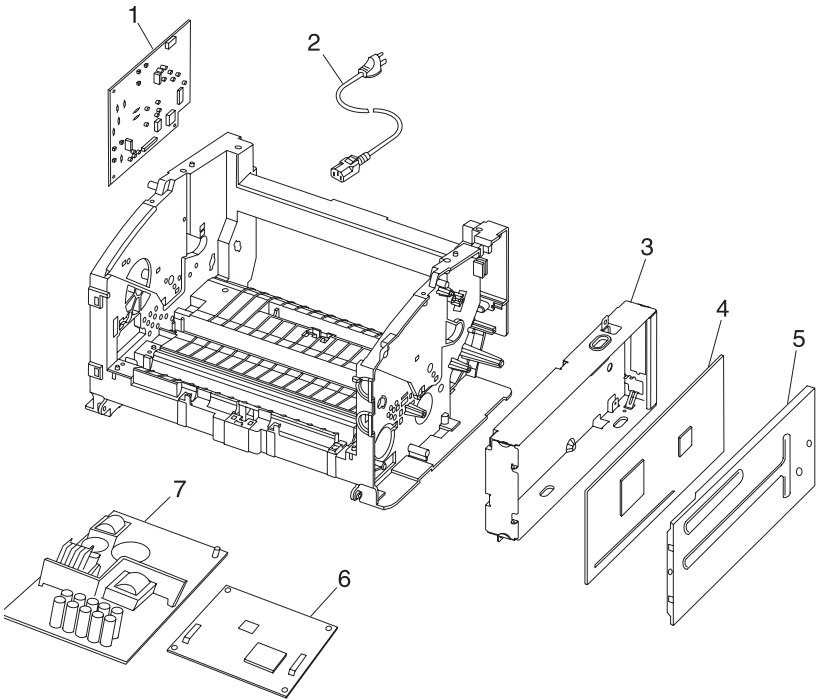
## Assembly 6: Printhead



**Assembly 6: Printhead**

<b>Asm-Index</b>	<b>Part Number</b>	<b>Units</b>	<b>Description</b>
6-1	12G4498	1	Plate, Printhead
2	12G4472	1	Interlock, Cover
3	12G4497	1	Assembly, Printhead

# Assembly 7: Electronics

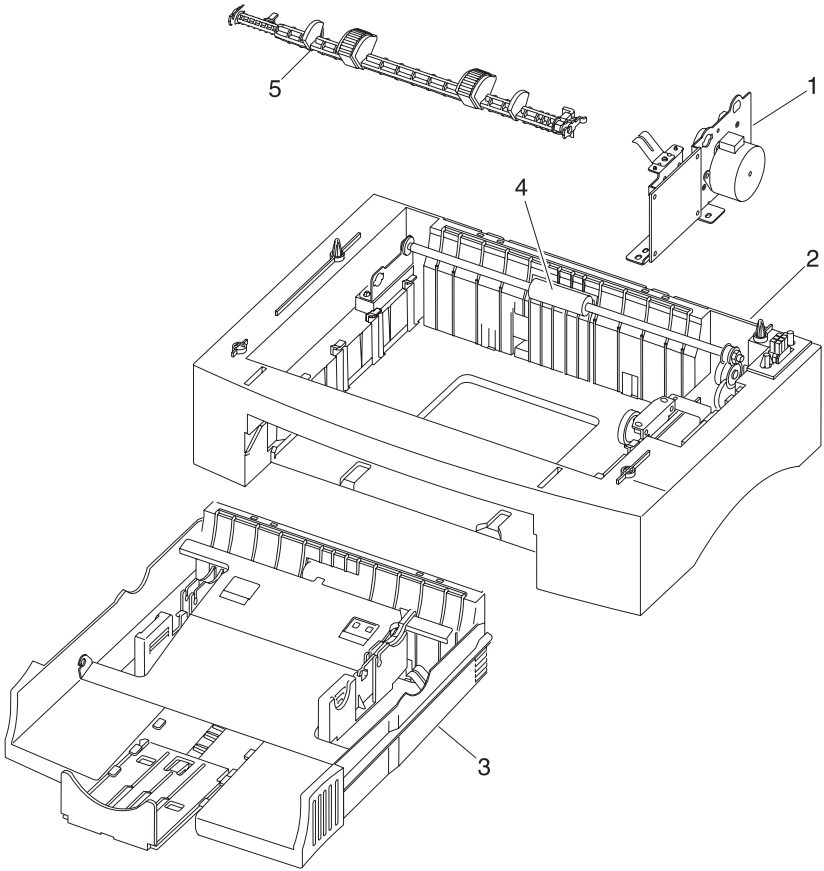




## Assembly 7: Electronics

Asm-Index	Part Number	Units	Description
7-1	12G4509	1	Card, HVPS
2	1339526	1	Power Cord, U.S., Canada, Brazil, Bolivia, Peru, Mexico, Saudi Arabia, Columbia, Costa Rica, Dominican Republic, Equador, El Salvador, Guatemala, Honduras, Mexico, Nicaragua, Panama, Venezuela (HV)
2	1339528	1	Power Cord, UK, Ireland, Iceland, Kuwait, Bahrein, Qatar, Oman, Pakistan, Yemen, Iraq, Libya, Cyprus
2	1339529	1	Power Cord, Paraguay, Austria, Belgium, France, Netherlands, Crech, Slovak Countries, Greece, Hungary, Finland, Norway, Sweden, Germany, Lebanon, Syria, Egypt, Jordan, Iran, Bosnia, Bulgaria, Croatia, Slovenia, Macedonia, Yugoslavia, Romania, South Africa, Poland, Russia, Turkey, Spain, Catalan, Portugal
2	1339530	1	Power Cord, Israel
2	1339531	1	Power Cord, Switzerland
2	1339532	1	Power Cord, South Africa
2	1339533	1	Power Cord, Chile, Uruguay, Italy
2	1339534	1	Power Cord, Denmark
3	12G4504	1	Cage, Controller
4	12G4501	1	Card, Controller E320
4	12G4502	1	Card, Controller E322
4	12G4503	1	Card, Controller E322n
5	12G4505	1	Cover, Cage
6	12G4506	1	Card, Engine
7	12G4507	1	Card, LVPS 110
7	12G4508	1	Card, LVPS 220

# Assembly 8: Options



## Assembly 8: Options

Asm-Index	Part Number	Units	Description
8–1	12G4516	1	Board, Motor, Tray 2
2	12G4514	1	Base Assembly, Tray 2
3	12G4513	1	Drawer, Tray 2
4	12G4515	1	Kit Assembly, Feed Roller
5	12G4532	1	D–Roll, Feed, Tray 2
NS	5K00205	1	IPDS & SCS/TN Card
NS	11K3800	1	Bar Code Card
NS	11K3850	1	PRESCRIBE Card
NS	44H0067	1	Imagequick™ Card
NS	56P0589	1	Cover, Tray 2 Media
NS	99A1752	1	4MB SDRAM DIMM
NS	99A1753	1	8MB SDRAM DIMM
NS	99A1754	1	16MB SDRAM DIMM
NS	99A1755	1	32MB SDRAM DIMM
NS	99A1756	1	64MB SDRAM DIMM
NS	99A0521	1	1MB Flash SIMM (4500-002 and 4500-003 only)
NS	99A0522	1	2MB Flash SIMM (4500-002 and 4500-003 only)
NS	99A0523	1	4MB Flash SIMM (4500-002 and 4500-003 only)

4500-32x

## **Assembly 9: Cables (no illustration)**

**Assembly 9: Cables**

<b>Asm-Index</b>	<b>Part Number</b>	<b>Units</b>	<b>Description</b>
NS	12G4517	1	Cable, HVPS–J1
NS	12G4518	1	Cable, Input/Exit Sensor–J2
NS	12G4519	1	Cable, Smart–J3
NS	12G4520	1	Cable, Motor–J5
NS	12G4521	1	Cable, Toner Sensor–J6
NS	12G4522	1	Cable, RIP–J11
NS	12G4523	1	Cable, Option–J13
NS	12G4524	1	Cable, Fuser Lamp
NS	12G4525	1	Cable, Ground Wire
NS	12G4526	1	Cable, Option
NS	12G4527	1	Cable, Cover Open Switch–J9
NS	12G4528	1	Cable, AC Receptacle
NS	12G4545	1	Cable, PSU–J12

4500-32x

## **Assembly 10: Miscellaneous (no illustration)**

**Assembly 10: Miscellaneous**

<b>Asm-Index</b>	<b>Part Number</b>	<b>Units</b>	<b>Description</b>
NS	12G4529	1	Ring, CS
NS	12G4530	1	Clamp, Mini
NS	12G4531	1	Parts Pack, Screws
NS	12G4544	1	Kit, Repack