



Service Manual

Lexmark C91x

5055-xxx

- ***Table of Contents***
- ***Start Diagnostics***
- ***Safety and Notices***
- ***Trademarks***
- ***Index***

LEXMARK[™]

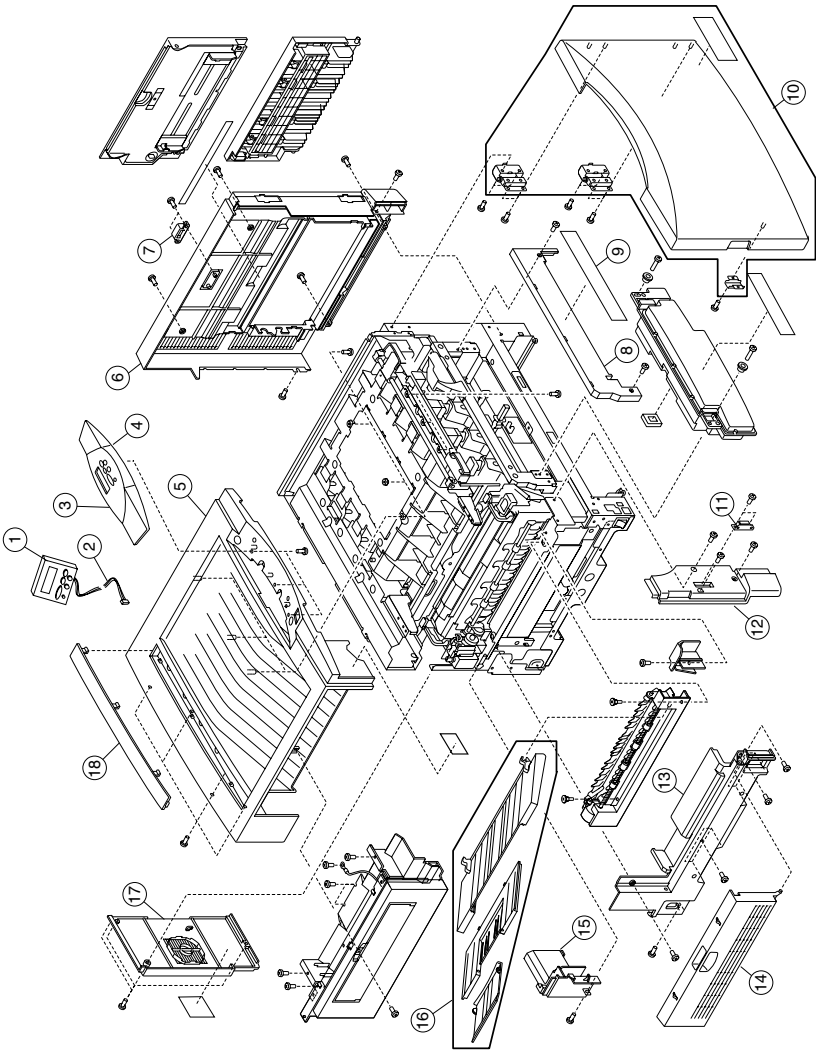
Lexmark and Lexmark with diamond design are trademarks of Lexmark International, Inc., registered in the United States and/or other countries.

7. Parts catalog

How to use this parts catalog

- **SIMILAR ASSEMBLIES:** If two assemblies contain a majority of identical parts, they are shown on the same list. Common parts are shown by one index number. Parts peculiar to one or the other of the assemblies are listed separately and identified by description.
- **NS: (Not Shown)** in the Asm–Index column indicates that the part is procurable but is not pictured in the illustration.

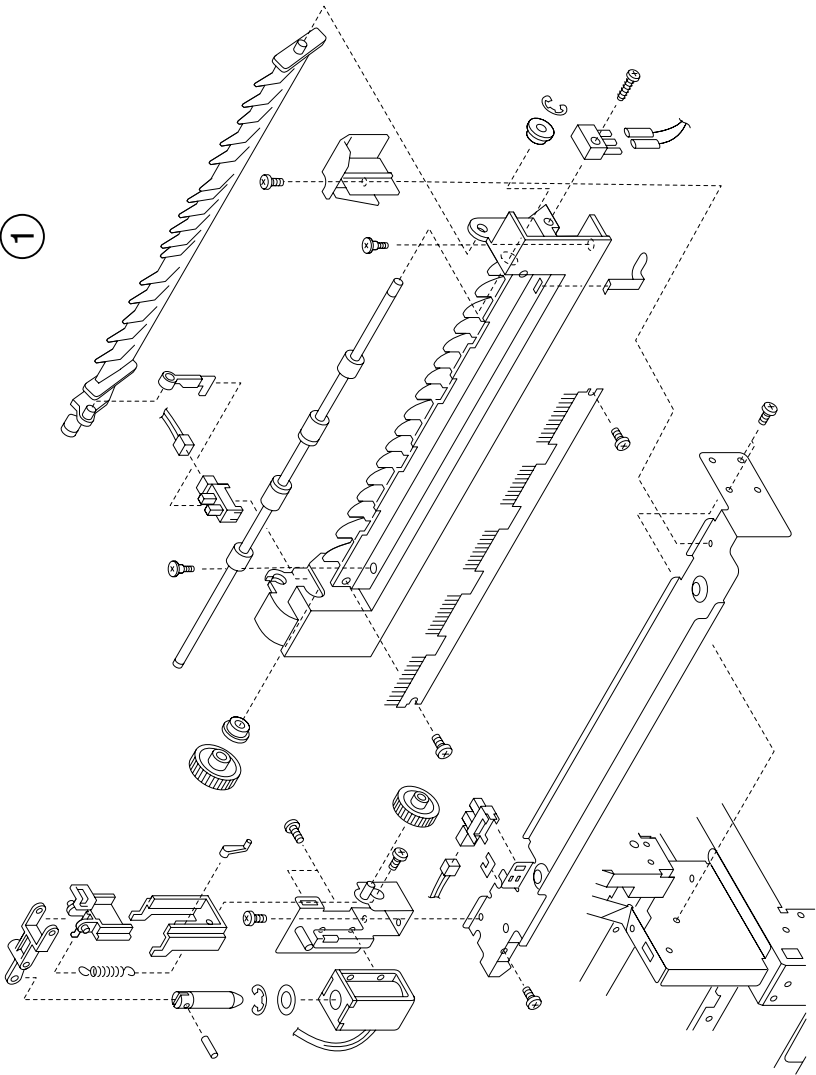
Assembly 1: Covers 1



Assembly 1: Covers 1

Index	P/N	Units	Description
1 – 1	12G7360	1	Board, operator panel
1	99A1501	1	Board operator panel (Japan)
2	56P9736	1	Cable, operator panel
3	56P9555	1	Housing, upper operator panel
4	56P9556	1	Housing, lower operator panel
5	56P9539	1	Cover, top
6	56P9533	1	Cover assembly, right side
7	56P9534	1	Magnet, right side latch
8	56P9540	1	Cover, waste toner bottle
9	56P9545	1	Label, operator guide
10	56P9532	1	Cover assembly, front (C910)
10	56P9970	1	Cover assembly, front (C912)
11	56P9543	1	Magnet, front cover latch
12	56P9542	1	Cover, left front
13	56P9536	1	Cover, left side
14	56P9537	1	Cover, paper feed
15	56P9535	1	Cover, solenoid
16	56P9531	1	Tray assembly, exit
17	56P9538	1	Cover, rear
18	56P9551	1	Cover, adjustment
NS	56P9544	1	Label, MPT
NS	56P9554	3	Core, ferrite
NS	56P9905	1	Kit, operator panel overlay
NS	56P9945	1	Parts packet

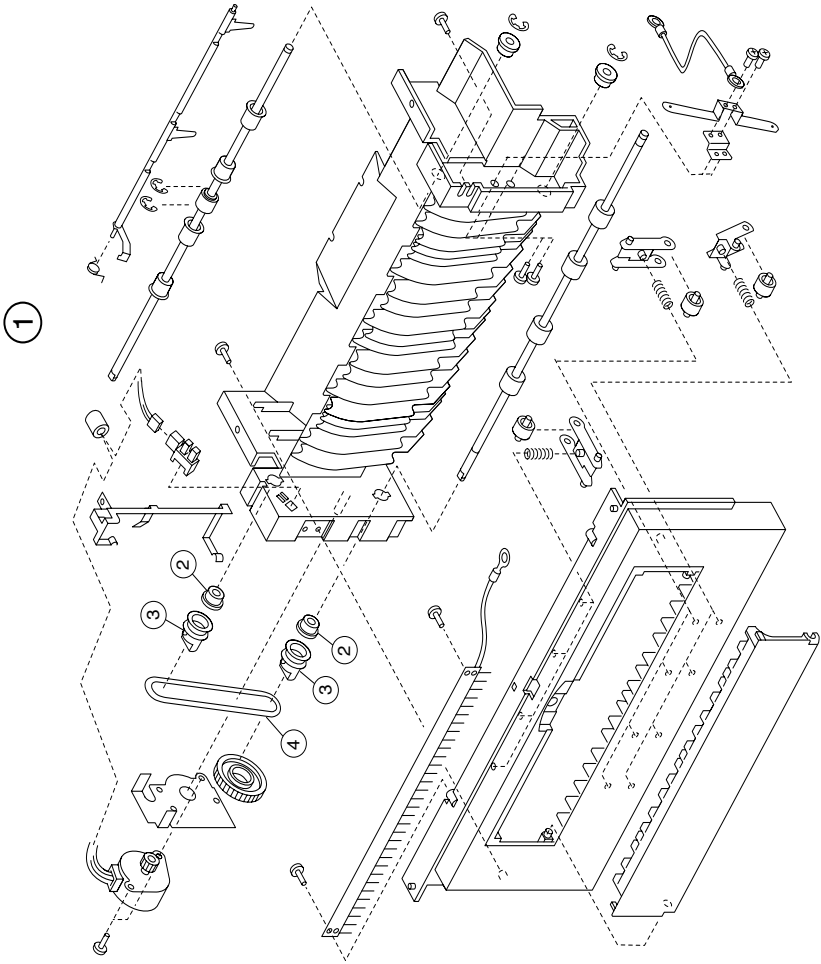
Assembly 2: Covers 2



Assembly 2: Covers 2

Index	P/N	Units	Description
2-1	56P9557	1	Exit assembly, face up

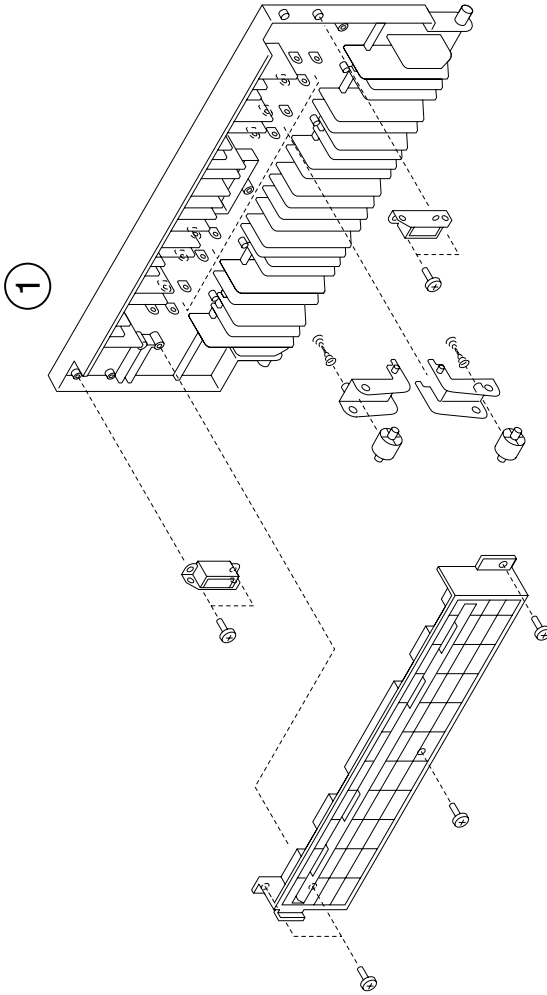
Assembly 3: Covers 3



Assembly 3: Covers 3

Index	P/N	Units	Description
3-1	56P9566	1	Guide assembly, face-down
2	56P9575	4	Bushing, face down pinch roller
3	56P9576	2	Pulley, face down feed roller
4	56P9578	1	Belt, face down roller

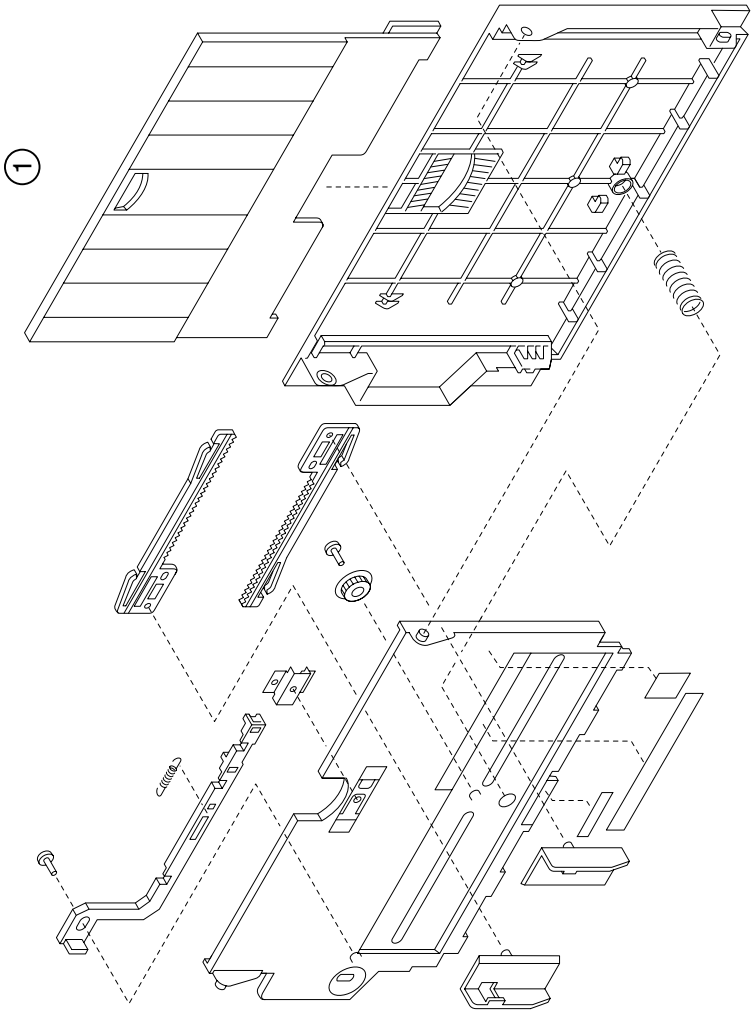
Assembly 4: Covers 4



Assembly 4: Covers 4

Index	P/N	Units	Description
4-1	56P9584	1	Guide assembly, turn

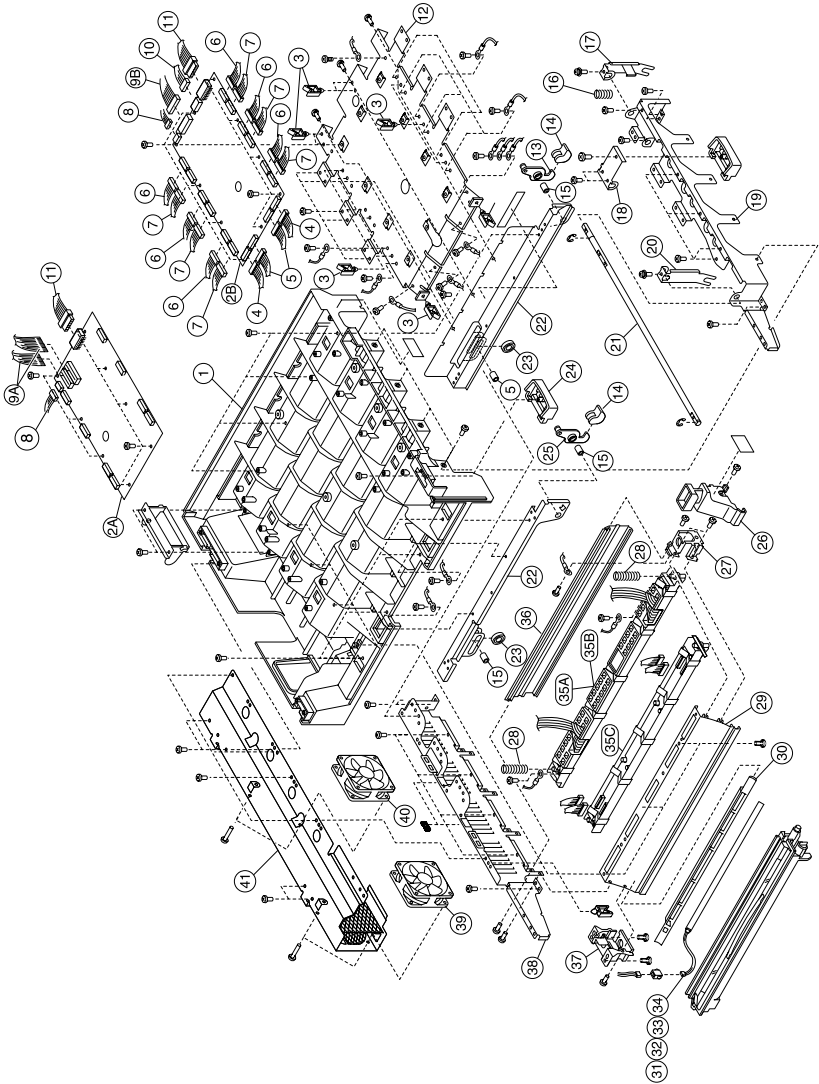
Assembly 5: Covers 5



Assembly 5: Covers 5

Index	P/N	Units	Description
5-1	56P9972	1	Feeder assembly, multipurpose

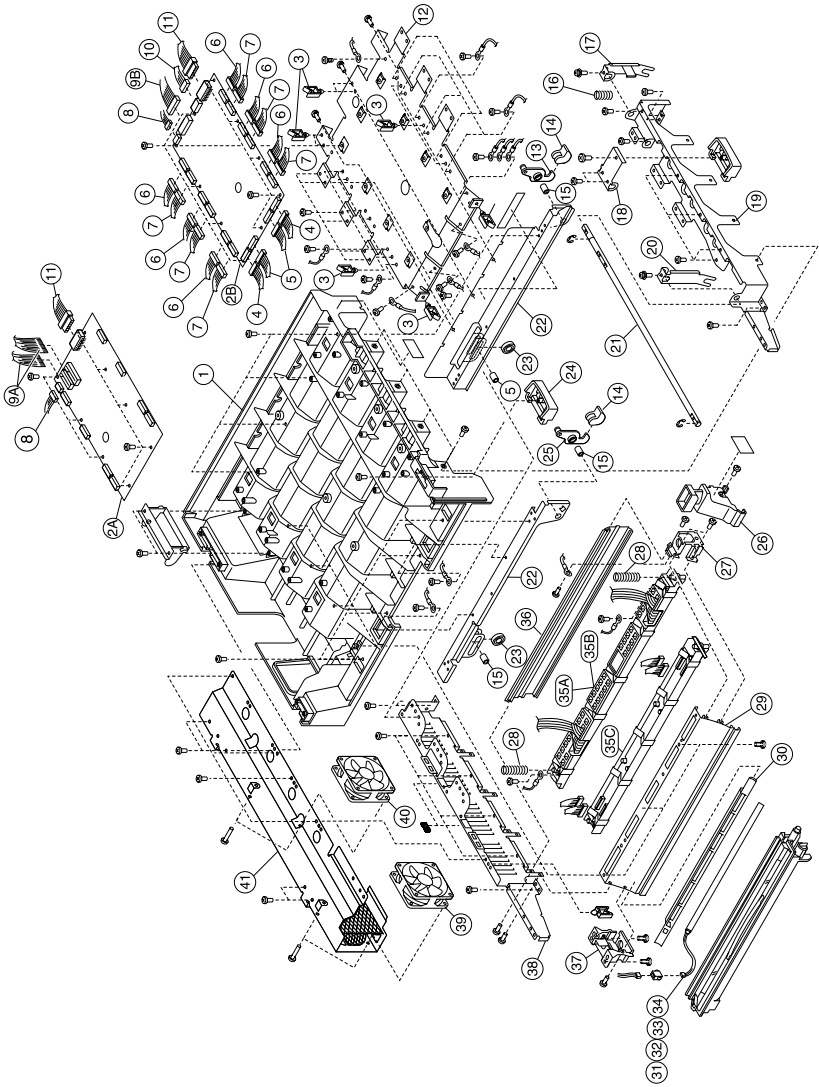
Assembly 6: Upper unit



Assembly 6: Upper unit

Index	P/N	Units	Description
6-1	56P9591	1	Frame, upper
2A	56P9987	1	Board, printhead controller-S/N XX-1XXXX
2B	56P9620	1	Board, printhead controller-S/N XX-0XXXX
3	56P9638	6	Holder, cable
4	56P9600	2	Cable assembly, K13
5	56P9601	2	Cable assembly, K24
6	56P9602	6	Cable assembly, CL13
7	56P9603	6	Cable assembly, CL24
8	56P9716	1	Cable assembly, 8-pin PH controller
9A	56P9991	1	Cable assembly 48-pin PH controller-S/N XX-1XXXX
9B	56P9718	1	Cable assembly, 30-pin PH controller-S/N XX-0XXXX
10	56P9717	1	Cable assembly, 18-pin PH controller-S/N XX-0XXXX
11	56P9720	1	Cable assembly, PH controller power
12	56P9637	1	Frame, printhead controller
13	56P9625	1	Hook, right link
14	56P9626	2	Cover, hook
15	56P9628	4	Pivot, color link
16	56P9614	1	Spring, return
17	56P9618	1	Hook, right
18	56P9615	1	Hook, middle
19	56P9612	1	Bracket, front upper
20	56P9617	1	Hook, left
21	56P9613	1	Rod, interlocking
22	56P9624	1	Link, frame
23	56P9627	2	Bearing, roller
24	56P9616	2	Handle, upper opening
25	56P9630	1	Hook, left link
26	56P9611	4	Holder, front printhead
27	56P9608	4	Holder, front HSP
28	56P9609	8	Spring, printhead
29	56P9592	4	Rail, left side

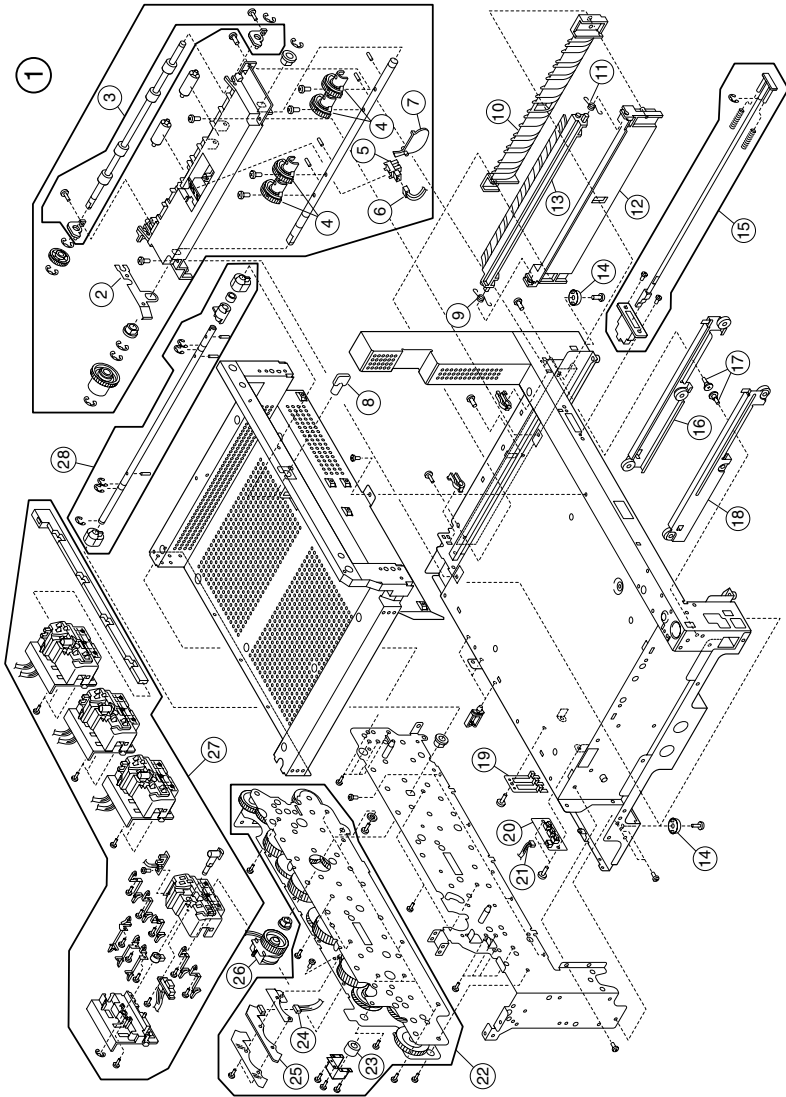
Assembly 6 (continued): Upper unit



Assembly 6 (continued): Upper unit

Index	P/N	Units	Description
30	56P9594	4	Cover, eraser
31	56P9595	1	Lamp, M erase
32	56P9596	1	Lamp, C erase
33	56P9597	1	Lamp, Y erase
34	56P9598	1	Lamp, K erase
35A	56P9985	1	Printhead, LED K (black)—S/N XX-1XXXX
35B	56P9986	3	Printhead, LED Y/M/C (color)—S/N XX-1XXXX
35C	56P9599	4	Printhead, LED—S/NXX-0XXXX
36	56P9610	4	Rail, right side
37	56P9593	4	Holder, rear printhead
38	56P9619	1	Bracket, rear upper
39	56P9622	1	Fan, upper right
40	56P9623	1	Fan, upper left
41	56P9621	1	Bracket, fan holder
NS	56P9629	1	Frame, link
NS	56P9639	4	Connector, upper
NS	56P9604	8	Core, ferrite
NS	56P9605	8	Cable assembly, HDFG
NS	56P9606	4	Cable assembly, RSPFG
NS	56P9607	2	Cable assembly, LFG
NS	56P9993	4	Shield, light—used on P/N 56P9594 for S/N XX-1XXXX
NS	56P9947	1	Parts packet
NS	56P9988	1	Post, mini—S/N XX-1XXXX
NS	56P9989	1	Core, Ferrite—S/N XX-1XXXX
NS	56P9990	1	Tape, Core—S/N XX-1XXXX

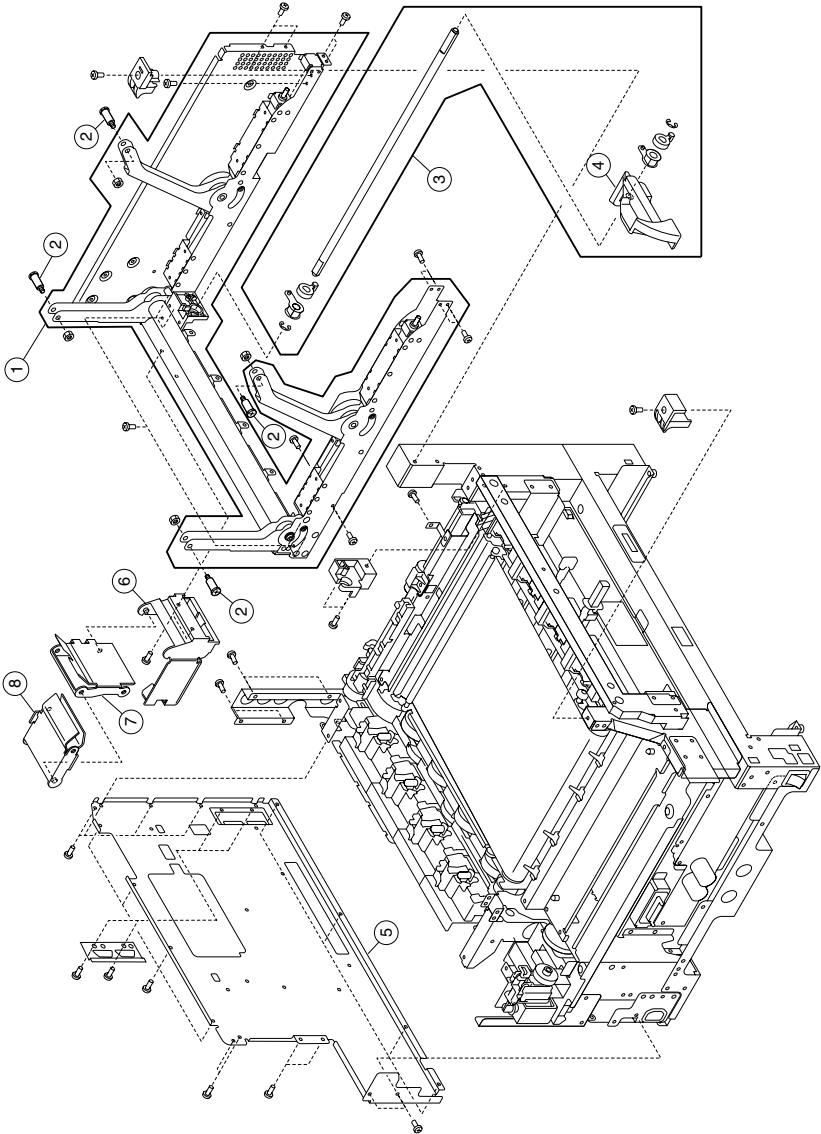
Assembly 7: Base 1



Assembly 7: Base 1

Index	P/N	Units	Description
7-1	56P9664	1	Frame, paper feed
2	56P9508	1	Bracket, ground
3	56P9512	1	Roller assembly, paper carrying
4	56P9511	4	Roller assembly, paper feed
5	11G0243	1	Interrupter, photo
6	56P9665	1	Sensor, paper feed
7	56P9507	1	Actuator, paper feed sensor
8	56P9520	1	Handle, waste bottle cam
9	56P9517	1	Spring, right cassette guide
10	56P9519	1	Guide, lower right cassette
11	56P9516	1	Spring, left cassette guide
12	56P9518	1	Guide, lower left cassette
13	56P9515	1	Guide, upper cassette
14	56P9503	4	Foot, rubber
15	56P9641	1	Actuator, front cover open switch
16	56P9505	1	Rail, base left side
17	56P9524	2	Screw, slide rail
18	56P9504	1	Rail, base right side
19	56P9521	1	Lever, size sensor
20	56P9522	1	Board, size sensor
21	56P9523	1	Cable assembly, size sensor
22	56P9642	1	Unit, drive
23	56P9643	1	Clutch, drive unit
24	56P9644	1	Cable assembly, drive unit sensor
25	56P9645	1	Sensor, drive unit gear
26	56P9663	1	Clutch, belt up/down
27	56P9646	1	Frame, sub
28	56P9662	1	Shaft, changing
NS	56P9948	1	Parts packet

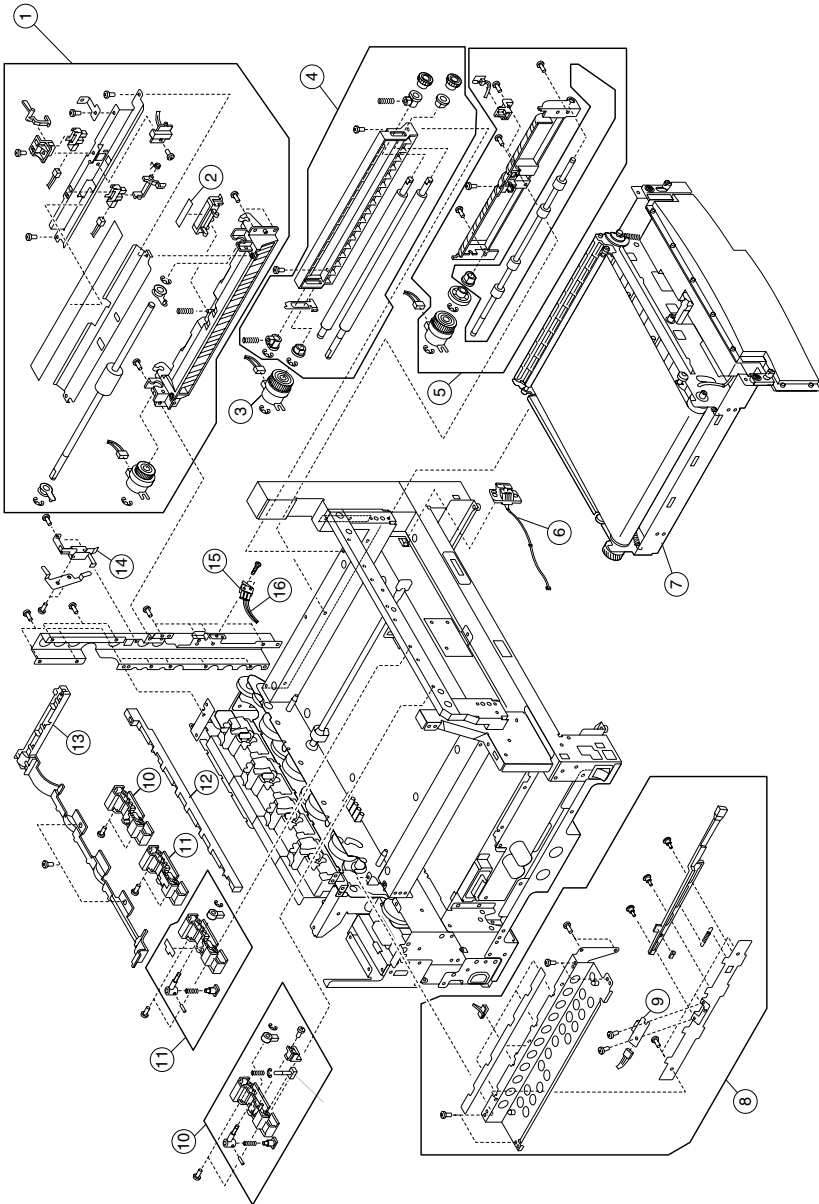
Assembly 8: Base 2



Assembly 8: Base 2

Index	P/N	Units	Description
8-1	56P9666	1	Support assembly, upper unit
2	56P9667	4	Pin, upper unit support
3	56P9668	1	Handle assembly, lock
4	56P9669	1	Handle, lock
5	56P9673	1	Cover, electronic
6	56P9670	1	Shroud, cable
7	56P9672	1	Guide, cable
8	56P9671	1	Guide, cable
NS	56P9949	1	Parts packet

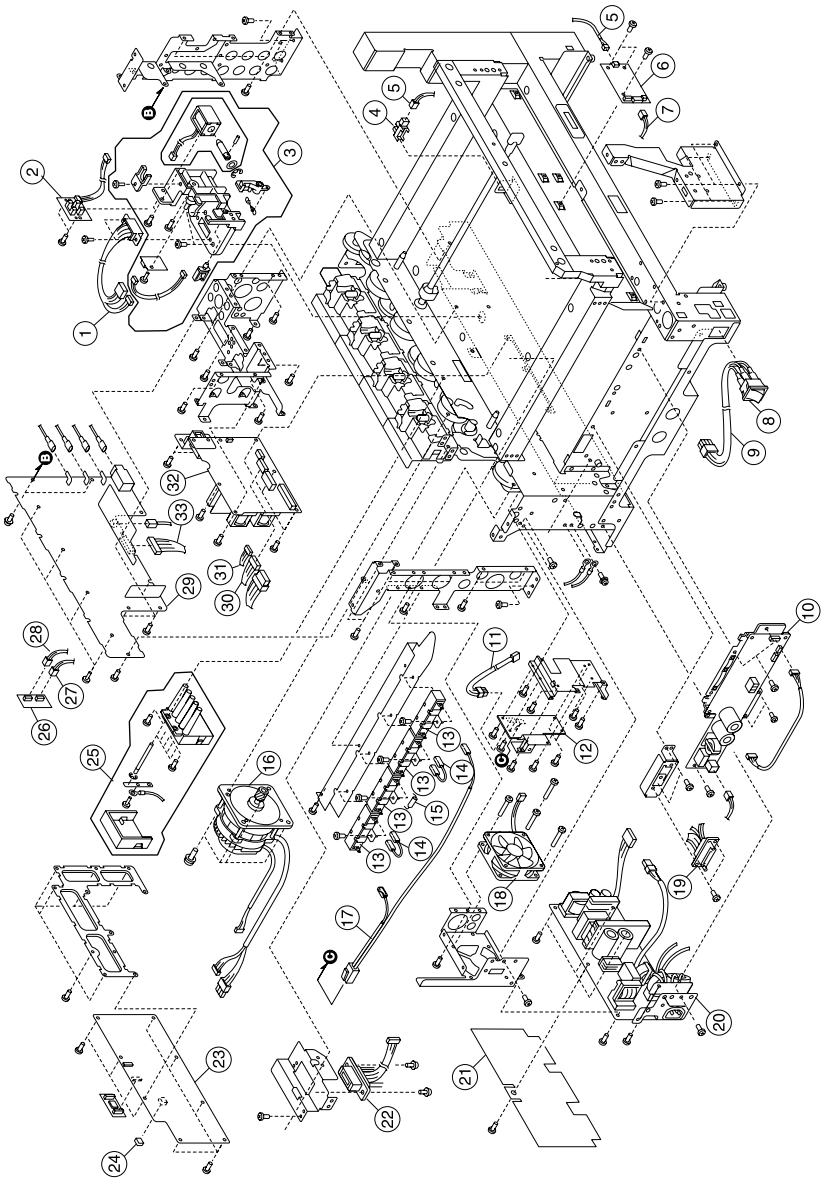
Assembly 9: Base 3



Assembly 9: Base 3

Index	P/N	Units	Description
9-1	56P9971	1	Frame assembly, MPF
2	11G0283	1	Pad, fanning
3	56P9681	1	Clutch, registration
4	56P9680	1	Frame assembly, registration
5	56P9682	1	Frame assembly, carrying
6	56P9696	1	Cable assembly, belt thermistor
7	56P9694	1	Unit, transfer belt
8	56P9674	1	Guide assembly, fuser entrance
9	56P9676	1	Sensor, density
10	56P9684	2	Frame assembly, F1 sub
11	56P9685	2	Frame assembly, F2 sub
12	56P9686	1	Rod, lock
13	56P9687	1	Cover, gear
14	56P9693	1	Stopper, clutch
15	56P9502	1	Sensor, turn guide door
16	56P9695	1	Cable, turn guide door sensor
NS	56P9697	1	Bushing
NS	56P9692	1	Cable assembly, reg MPF sensor
NS	56P9950	1	Parts packet

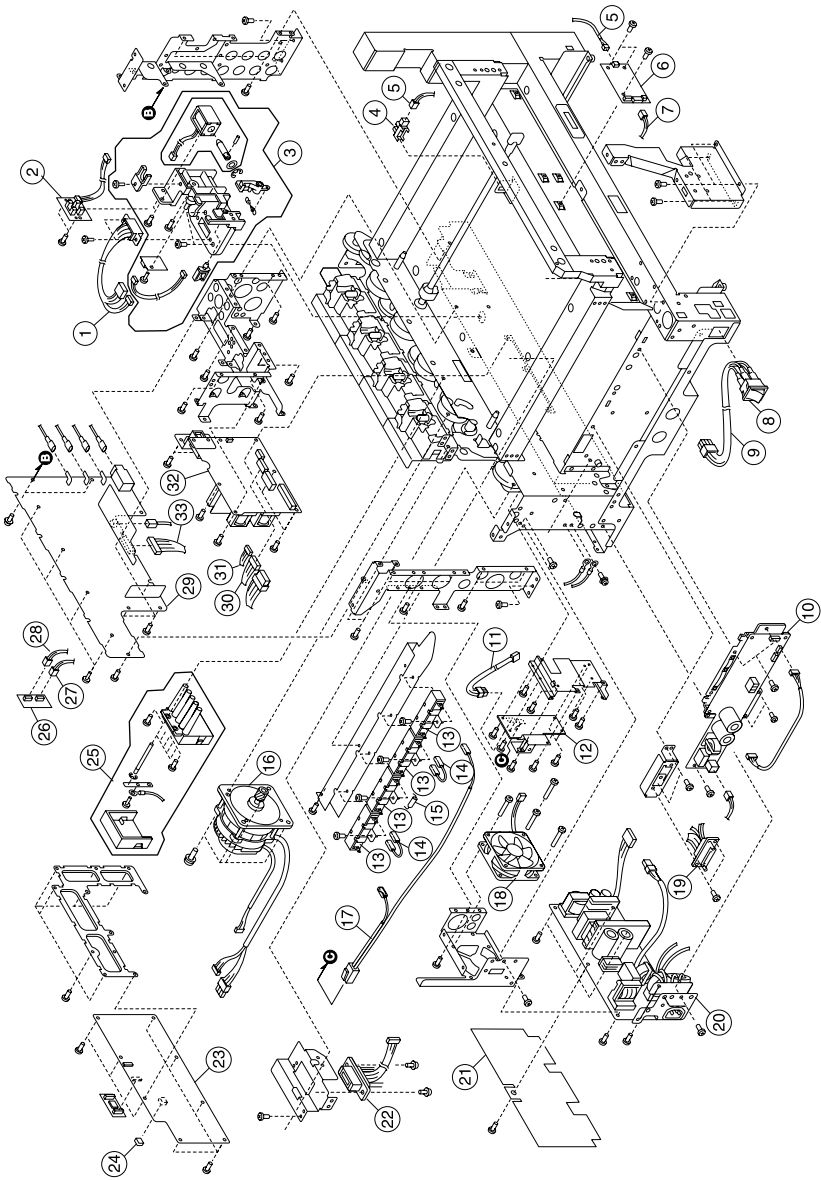
Assembly 10: Electrical



Assembly 10: Electrical

Index	P/N	Units	Description
10-1	56P9705	1	Cable assembly, feeder
2	56P9704	1	Cable assembly, paper remaining sensor
3	56P9700	1	Solenoid assembly, paper feed (temperature/humidity sensor and paper remaining sensor included)
4	11G0243	1	Interrupter, photo
5	56P9702	1	Cable, belt up/down sensor
6	56P9701	1	Board, sensor
7	56P9703	1	Cable assembly, sensor board
8	56P9707	1	Switch, power
9	56P9706	1	Cable, power switch
10	56P9709	1	Board, 120 V motor driver
10	56P9710	1	Board, 230 V motor driver
11	56P9739	1	Cable asm., conditioning printer controller
12	56P9742	1	Board, heater drive
13	56P9741	4	Resistor, conditioning (230 V only)
14	56P9738	3	Cable assembly, conditioning joint (230 V only)
15	56P9943	1	Fuse, thermal (230 V only)
16	56P9698	1	Motor assembly, 120 V
16	56P9699	1	Motor assembly, 230 V
17	56P9740	1	Cable, conditioning resistor
18	56P9713	1	Fan, power supply
19	56P9708	1	Cable assembly, duplex connector
20	56P9722	1	Power supply, 120 V (1)
20	56P9723	1	Power supply, 230 V (1)
21	56P9737	1	Insulator, sheet
22	56P9711	1	Cable, THB drawer
22	56P9712	1	Cable, THB drawer (EMEA)
23	56P9981	1	Board, printer controller (C910, C912)– S/N XX-0XXXXX
23	56P9992	1	Board, printer controller (C912)– S/N XX-1XXXXX
24	56P9729	1	EPROM, printer controller
25	56P9732	1	Belt, power supply

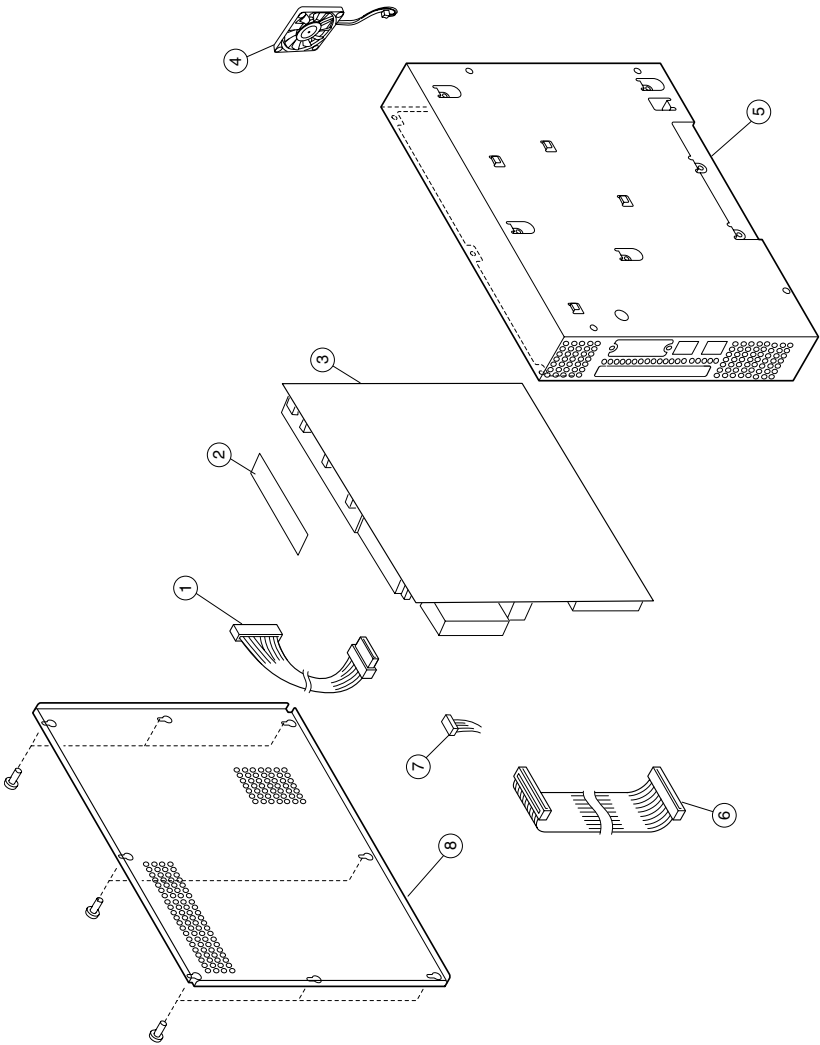
Assembly 10 (continued): Electrical



Assembly 10 (continued): Electrical

Index	P/N	Units	Description
10-26	56P9734	1	HCF/finisher D-sub assembly
27	56P9731	1	Cable assembly, finisher
28	56P9730	1	Cable assembly, HCF
29	56P9714	1	Board, high voltage power supply
30	56P9727	1	Cable assembly, printer controller power 2
31	56P9726	1	Cable assembly, printer controller power 1
32	56P9724	1	Power supply, 120 V (2)
32	56P9725	1	Power supply, 230 V (2)
33	56P9715	1	Cable high voltage power supply board
NS	11D0328	1	Power cord—USA, Canada, APG, LAD
NS	11D0329	1	Power cord—Peru
NS	11D0330	1	Power cord—Argentina
NS	11D0331	1	Power cord—Brazil
NS	11D0332	1	Power cord—Chile
NS	11D0333	1	Power cord—Denmark
NS	11D0334	1	Power cord—Belgium, Europe, England, France, Germany, Spain
NS	11D0335	1	Power cord—Italy
NS	11D0336	1	Power cord—Swiss/French, German, Italian
NS	11D0337	1	Power cord—UK, Israel, South Africa
NS	56P9951	1	Parts packet
NS	56P9733	1	Cable assembly, HCPF interface
NS	56P9721	1	Cable assembly, drum eraser
NS	56P9964	1	Transformer, power (Japan only)

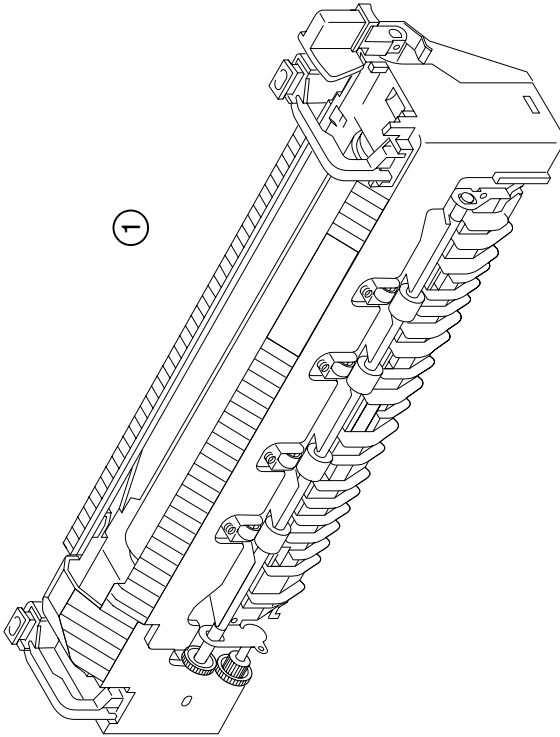
Assembly 11: Rip board



Assembly 11: RIP board

Index	P/N	Units	Description
11-1	56P9749	1	Cable assembly, power RIP
2	56P9916	1	Card, riser
3	56P9976	1	Board, RIP controller (C910)
3	56P9977	1	Board, RIP controller, network (C910)
3	56P9973	1	Board, RIP controller (C912)
3	56P9974	1	Board, RIP controller, network (C912)
4	56P9750	1	Fan, RIP
5	56P9745	1	Box, RIP
6	56P9719	1	Cable assembly, 80 pin RIP printer controller
7	56P9736	1	Cable, operator panel
8	56P9746	1	Cover, RIP box
NS	56P9747	1	Cable assembly, power MAC
NS	56P9748	1	Cable assembly, MIF
NS	56P9952	1	Parts packet

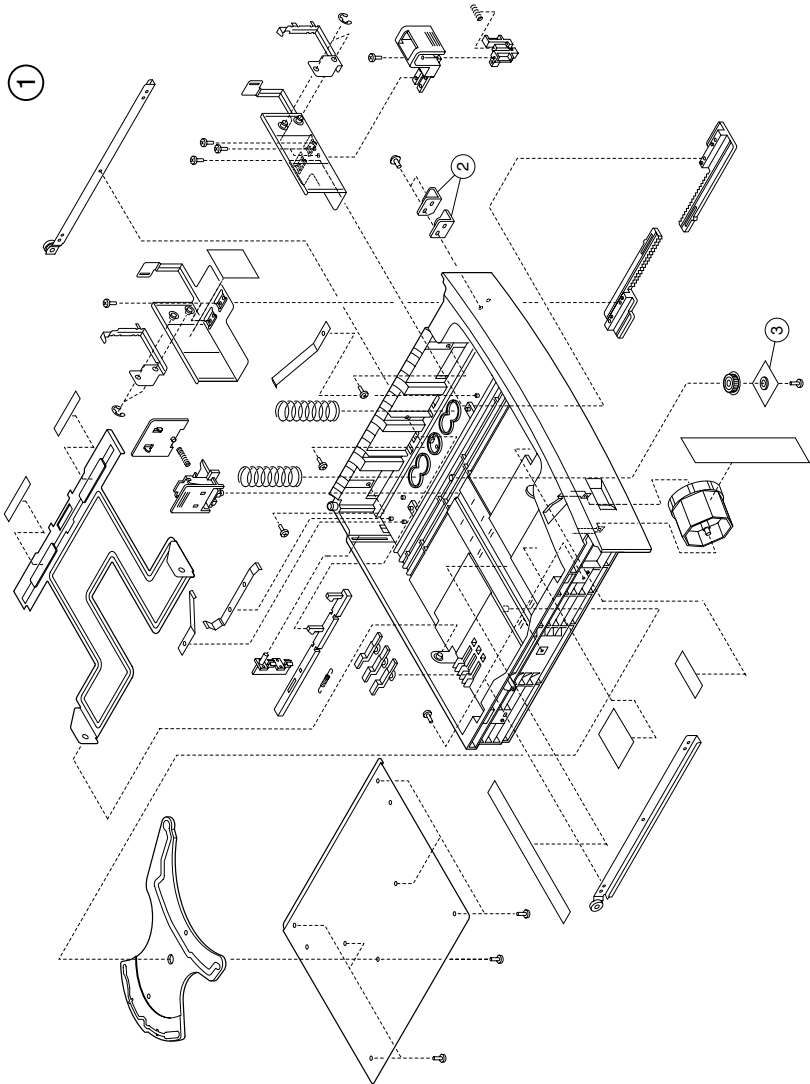
Assembly 12: Fuser unit



Assembly 12: Fuser unit

Index	P/N	Units	Description
12-1	56P9751	1	Fuser, 120 V
1	56P9752	1	Fuser, 230 V
NS	56P9953	1	Parts packet

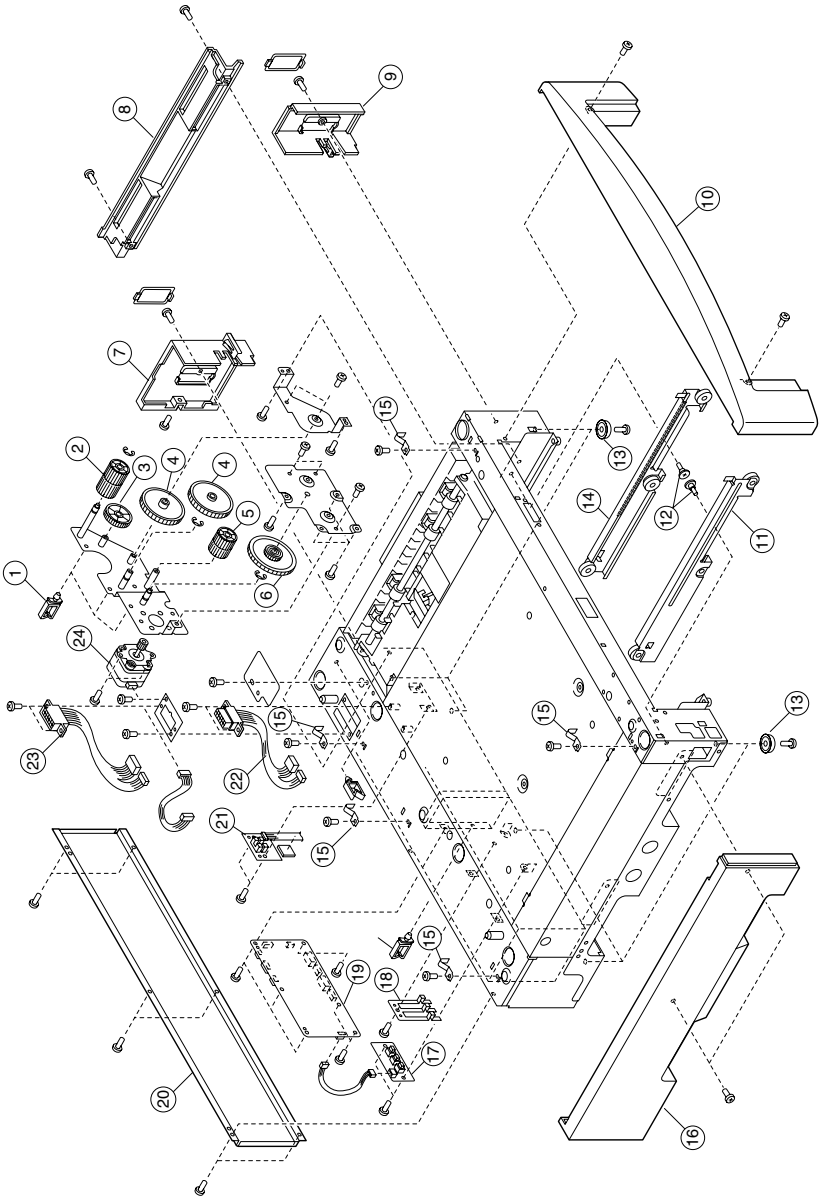
Assembly 13: Cassette



Assembly 13: Cassette

Index	P/N	Units	Description
13-1	56P9500	1	Cassette, paper feed
NS	56P9902	1	Cassette, heavy media
2	56P9979	1	Guide, stop
3	56P9980	1	Guard, rack

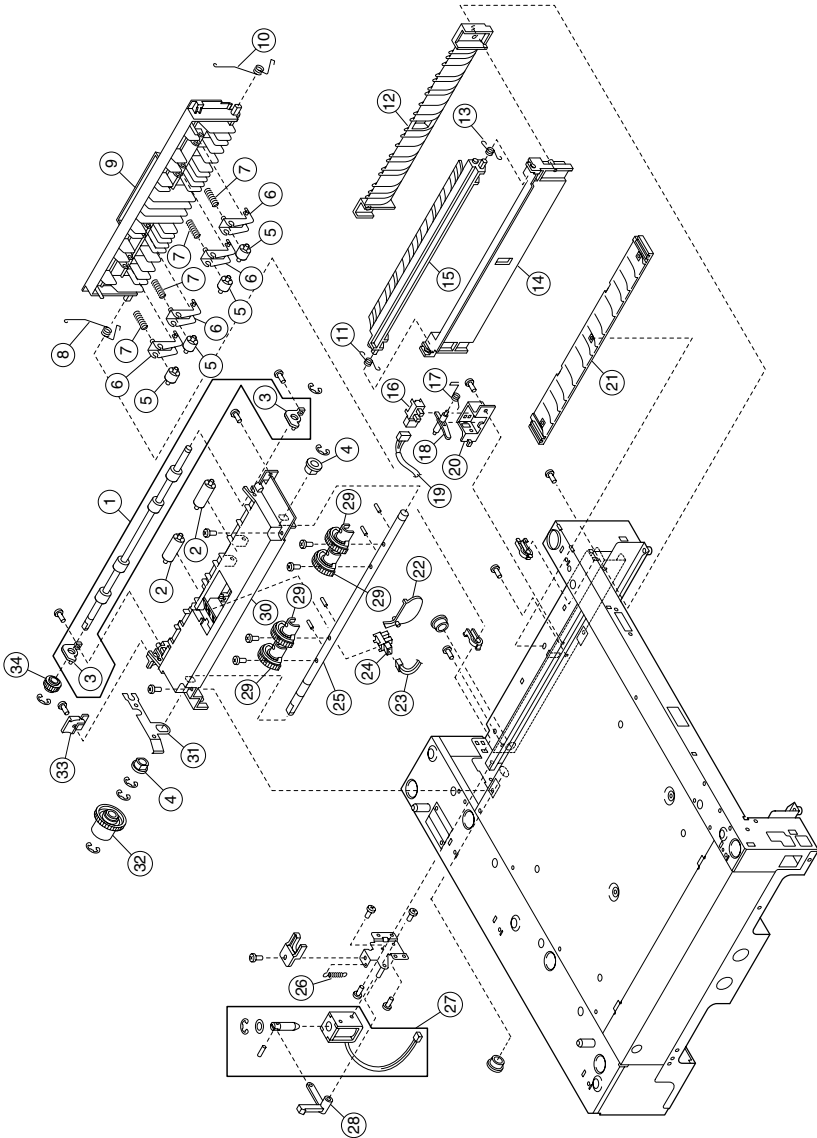
Assembly 14: Expansion feeder 1



Assembly 14: Expansion feeder 1

Index	P/N	Units	Description
14-1	11G0199	4	Guide, wire
2	56P9773	1	Gear, feeder E
3	56P9771	1	Gear, feeder C
4	11G0422	2	Gear, feeder B
5	56P9772	1	Gear, feeder D
6	11G0423	1	Gear, feeder A
7	56P9770	1	Cover, right side C
8	56P9769	1	Cover, right side B
9	56P9767	1	Cover, right side A
10	56P9765	1	Cover, front feeder
11	56P9504	1	Rail, left side
12	56P9524	2	Screw, slide rail
13	56P9503	6	Foot, rubber
14	56P9505	1	Rail, right side
15	11G0399	5	Plate, ground
16	56P9766	1	Cover, left side
17	56P9522	1	Board, size sensor
18	56P9521	1	Lever, size sensor
19	56P9779	1	Board, expansion feeder control
20	56P9768	1	Cover, rear
21	56P9776	1	Board, paper remaining sensor
22	56P9778	1	Cable assembly, lower optional drawer
23	56P9777	1	Cable assembly, upper optional drawer
24	56P9774	1	Motor, feeder drive
NS	56P9775	1	Cable assembly, size sensor
NS	56P9955	1	Parts packet

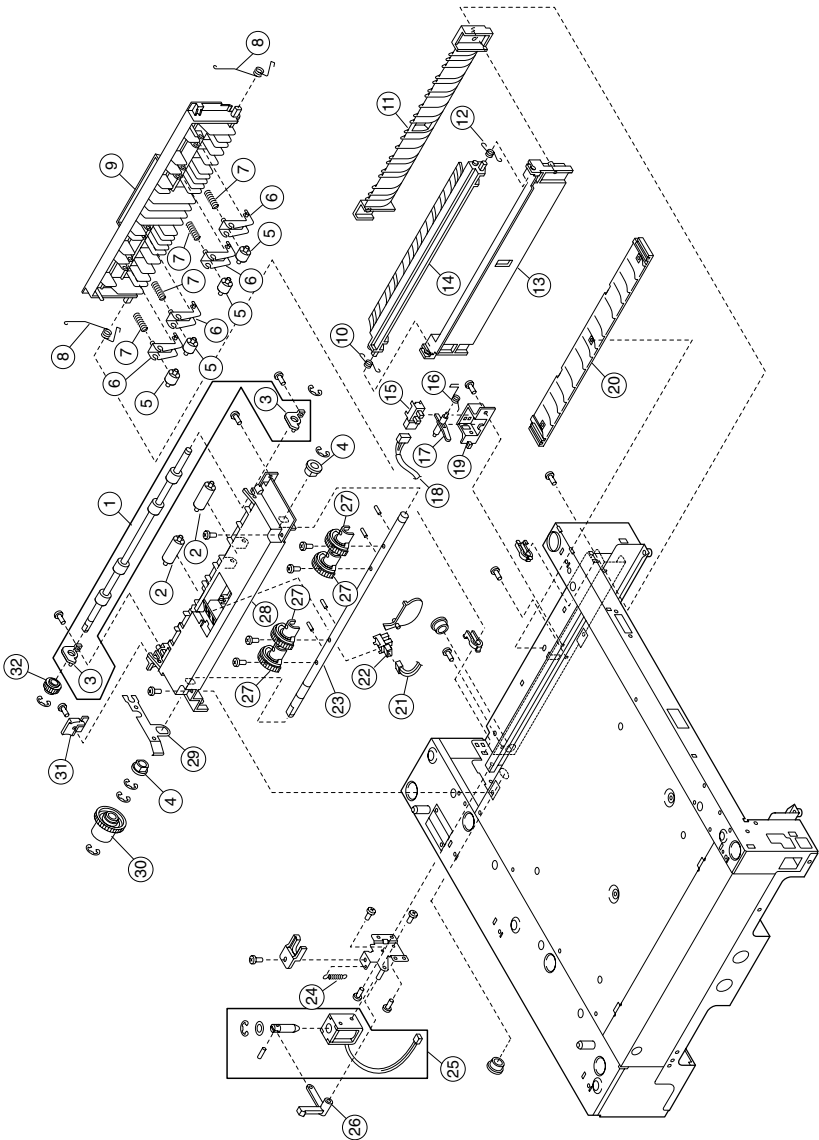
Assembly 15: Expansion feeder 2



Assembly 15: Expansion feeder 2

Index	P/N	Units	Description
15-1	56P9796	1	Roller assembly, carrying
2	56P9514	2	Roller, noise reduction
3	56P9513	2	Bushing, carrying
4	56P9509	2	Bushing, metal
5	56P9790	4	Roller, paper carrying
6	56P9792	4	Holder, roller
7	56P9791	4	Spring, paper carrying
8	56P9794	1	Spring, right turn guide
9	56P9789	1	Guide, turn
10	56P9793	1	Spring, left turn guide
11	56P9517	1	Spring, right cassette guide
12	56P9519	1	Guide, lower right cassette
13	56P9516	1	Spring, left cassette guide
14	56P9518	1	Guide, lower left cassette
15	56P9515	1	Guide, upper cassette
16	11G0563	1	Interrupter, photo
17	56P9786	1	Spring, paper detection sensor
18	56P9784	1	Actuator, paper detection
19	56P9787	1	Cable, paper present sensor
20	56P9785	1	Cover, paper present sensor
21	56P9788	1	Guide, HCF
22	56P9507	1	Actuator, paper feed sensor
23	56P9795	1	Cable, paper present sensor
24	11G0219	1	Interrupter, photo
25	56P9510	1	Shaft, paper feed
26	56P9782	1	Spring, solenoid
27	56P9783	1	Solenoid, feeder
28	56P9781	1	Lever, clutch
29	56P9511	4	Roller assembly, paper feed
30	56P9506	1	Frame, paper feed
31	56P9508	1	Bracket, ground
32	11G0291	1	Clutch, paper feed
33	56P9797	1	Cover, gear
34	11G0297	1	Gear, paper carrying

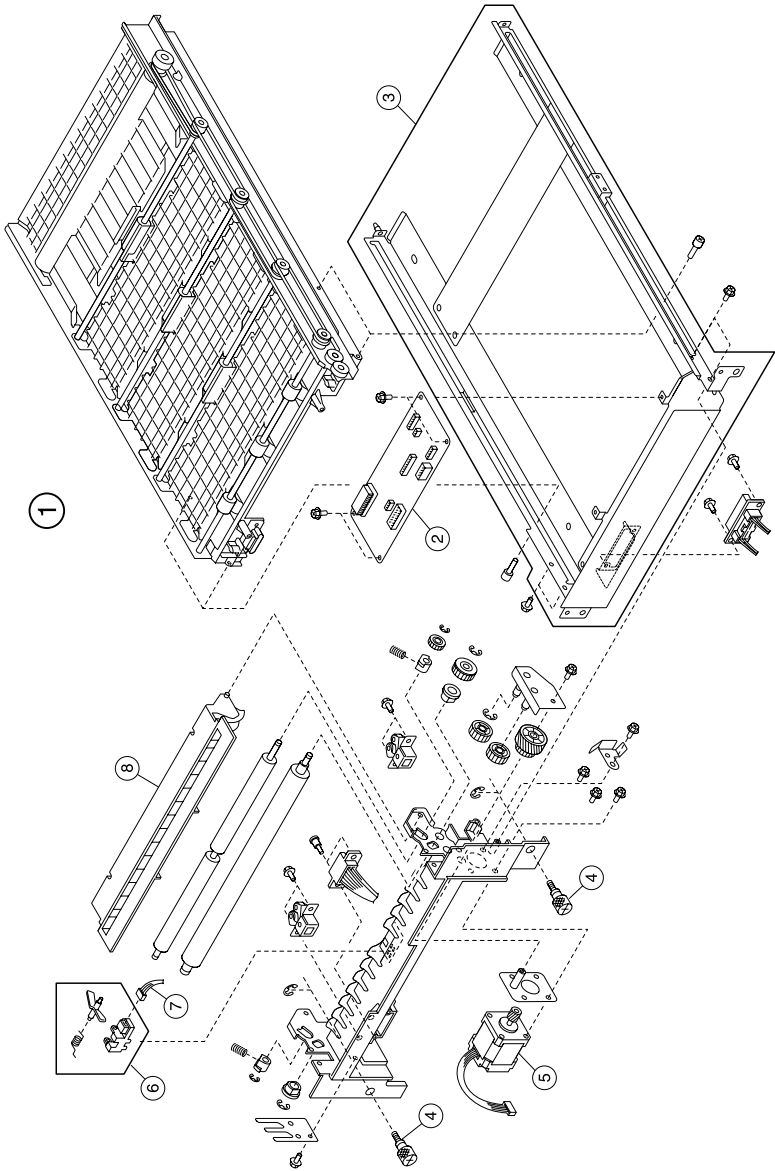
Assembly 15 (continued): Expansion feeder 2



Assembly 15 (continued): Expansion feeder 2

Index	P/N	Units	Description
NS	56P9956	1	Parts packet

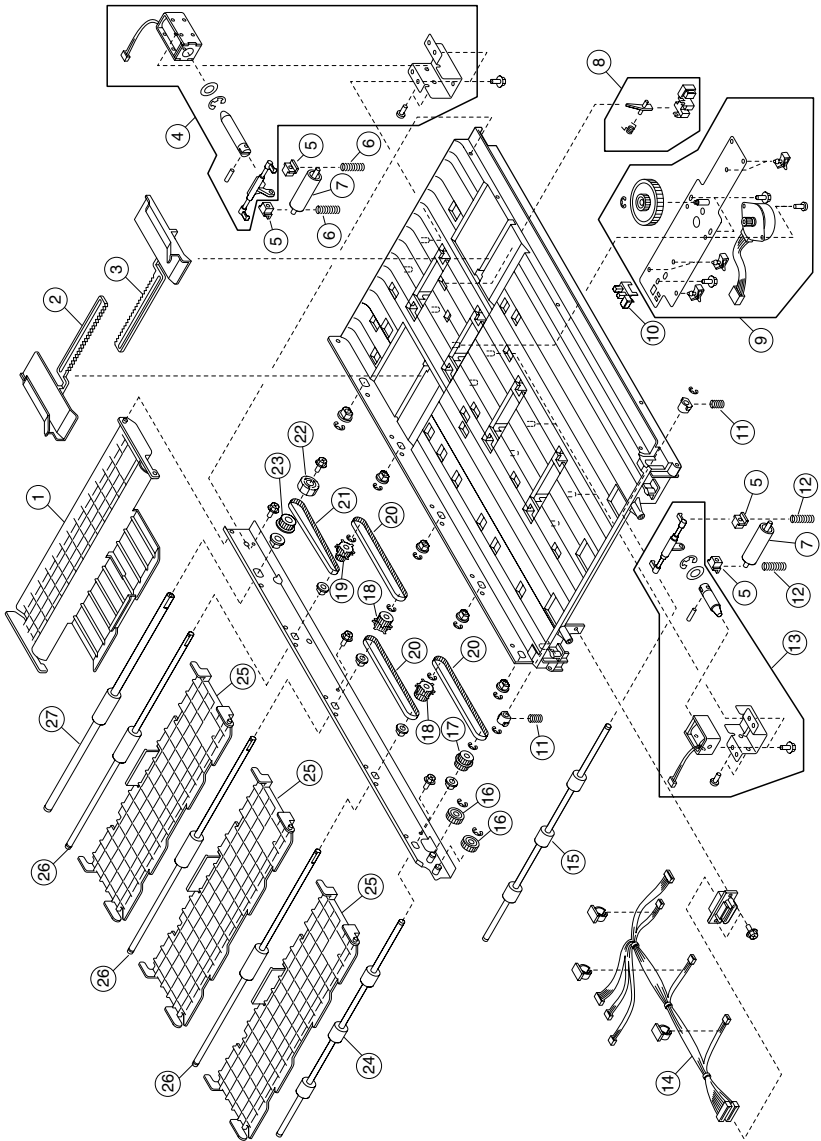
Assembly 16: Duplex unit 1



Assembly 16: Duplex unit 1

Index	P/N	Units	Description
16-1	56P9798	1	Duplex assembly
2	56P9804	1	Board, duplex interface
3	56P9799	1	Frame, duplex
4	56P9800	2	Screw, duplex mounting
5	56P9803	1	Motor, duplex stepping
6	56P9525	1	Interrupter, photo
7	56P9806	1	Cable assembly, paper detection
8	56P9994	1	Plate, duplex guide
NS	56P9807	1	Cable assembly, duplex interface
NS	56P9805	1	Cable assembly, duplex connection

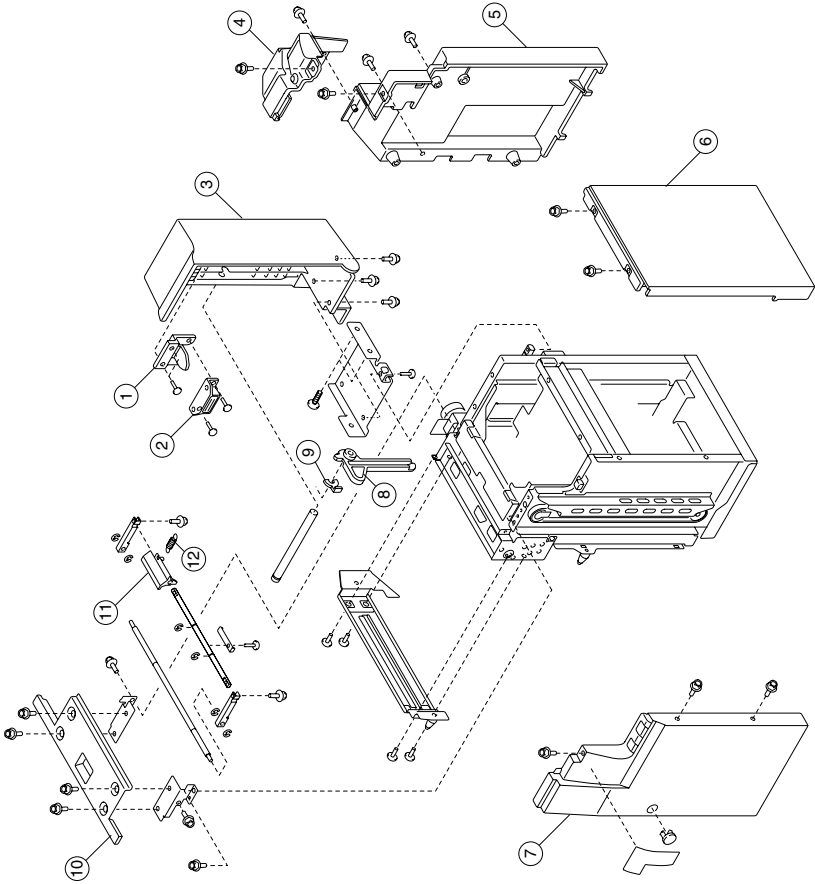
Assembly 17: Duplex unit 2



Assembly 17: Duplex unit 2

Index	P/N	Units	Description
17-1	56P9825	1	Plate, paper re-feed drawer
2	56P9827	1	Guide, rear side
3	56P9826	1	Guide, front side
4	56P9830	1	Solenoid assembly, paper re-feed
5	56P9814	8	Bearing, release
6	56P9816	2	Spring, re-feed roller
7	56P9813	4	Roll, release
8	56P9525	1	Interrupter assembly, photo
9	56P9828	1	Motor assembly, paper guide
10	56P9808	1	Interrupter, photo
11	56P9526	2	Spring, feed roller
12	56P9815	6	Spring, reed roller
13	56P9829	3	Solenoid assembly, feed roller
14	56P9831	1	Cable assembly, duplex drawer
15	56P9810	1	Roller, follow-up feed
16	56P9527	2	Gear, idler
17	56P9817	1	Gear, carrying roller
18	56P9818	2	Pulley, carrying roller timing
19	56P9819	1	Pulley, feed roller
20	56P9822	3	Belt, timing
21	56P9823	1	Belt, timing
22	56P9821	1	Knob, paper re-feed
23	56P9820	1	Pulley, re-feed roller
24	56P9809	1	Roller, drive feed
25	56P9824	3	Plate, paper carrying drawer
26	56P9811	3	Roller, middle feed
27	56P9812	1	Roller, re-feed
NS	56P9957	1	Parts packet

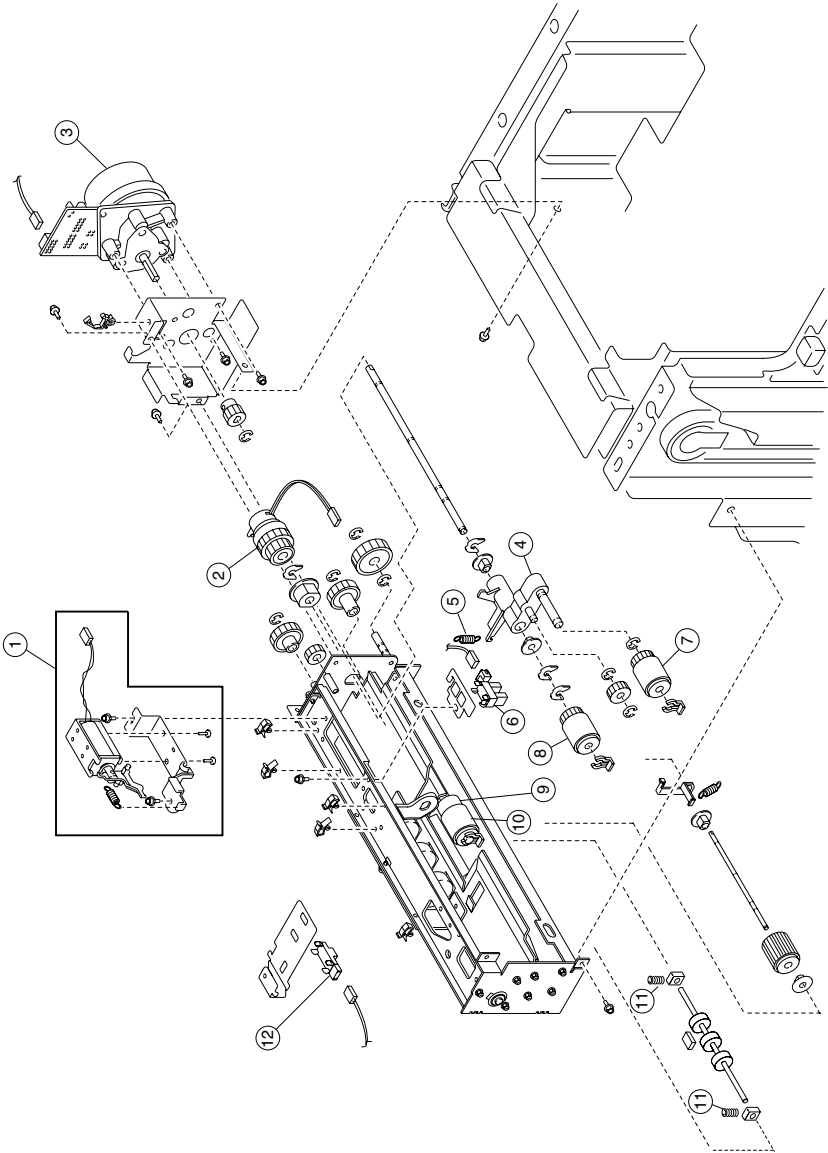
Assembly 18: High-capacity feeder 1



Assembly 18: High-capacity feeder 1

Index	P/N	Units	Description
18-1	56P9838	1	Catch, door
2	56P9835	1	Magnet, latch
3	56P9837	1	Cover, upper
4	56P9834	1	Cover, upper rear
5	56P9843	1	Cover, lower rear
6	56P9839	1	Cover, right
7	56P9833	1	Cover, front
8	56P9836	1	Fence, end
9	56P9940	1	Ring, snap
10	56P9841	1	Cover assembly, upper
11	56P9840	1	Lever, vertical transport
12	56P9842	1	Spring, tension
NS	56P9958	1	Parts packet

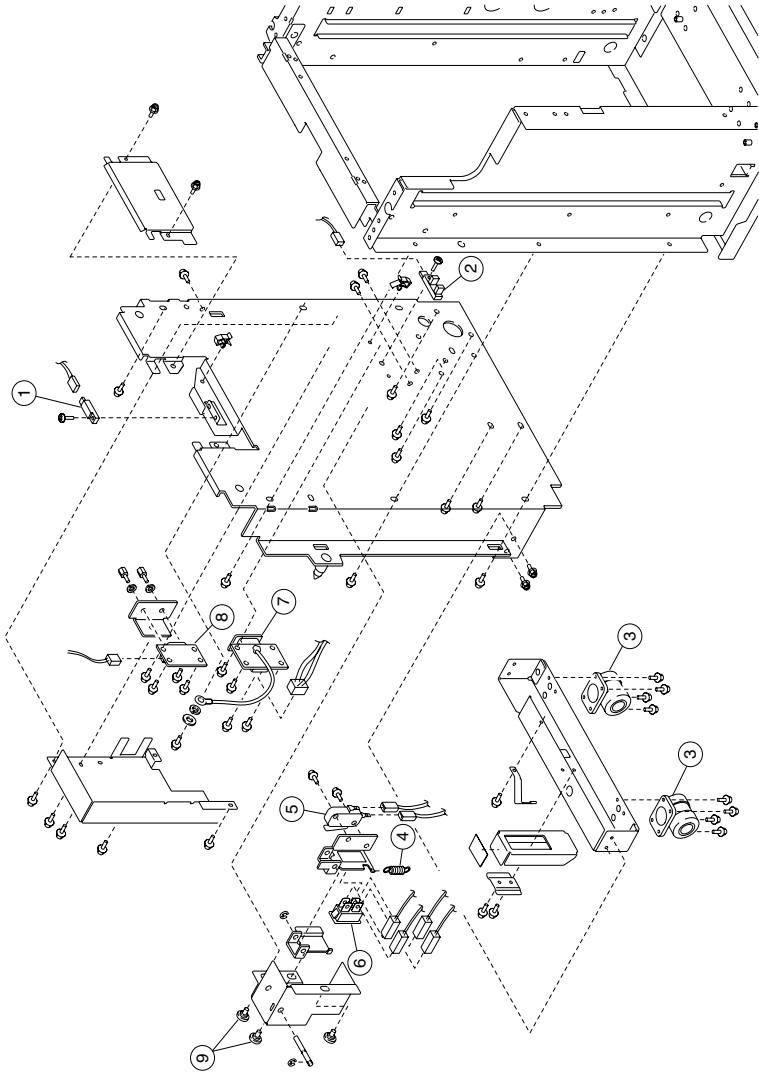
Assembly 19: High-capacity feeder 2



Assembly 19: High-capacity feeder 2

Index	P/N	Units	Description
19-1	56P9846	1	Solenoid assembly, paper pickup
2	56P9848	1	Clutch, paper feed
3	56P9844	1	Motor assembly, transport
4	56P9941	1	Arm, pick-up
5	56P9501	1	Spring, pressure
6	56P9528	1	Interrupter, photo
7	56P9849	1	Roller, manual feed pickup
8	56P9850	1	Roller, manual feed
9	56P9852	1	Limiter, torque
10	56P9851	1	Roller, manual feed separate
11	56P9847	2	Spring, compression
12	56P9845	1	Sensor assembly, paper feed
NS	56P9959	1	Parts packet

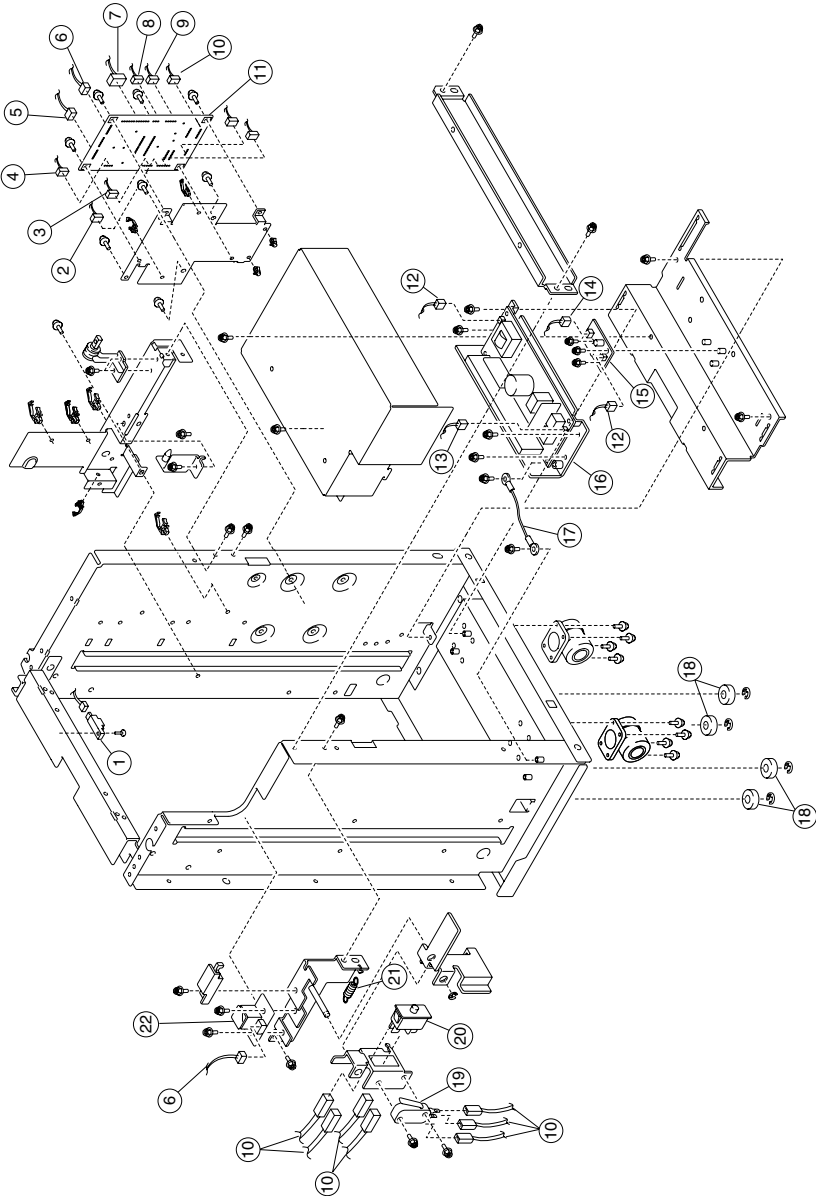
Assembly 20: High-capacity feeder 3



Assembly 20: High-capacity feeder 3

Index	P/N	Units	Description
20-1	56P9854	1	Sensor assembly, photo
2	56P9855	1	Interrupter, photo
3	56P9529	4	Caster, HCF
4	56P9856	1	Spring, tension
5	56P9857	1	Switch, micro
6	56P9530	1	Switch, push
7	56P9859	1	Connector, inlet
8	56P9858	1	Connector, I/F
9	56P9853	3	Screw, shoulder
NS	56P9960	1	Parts packet

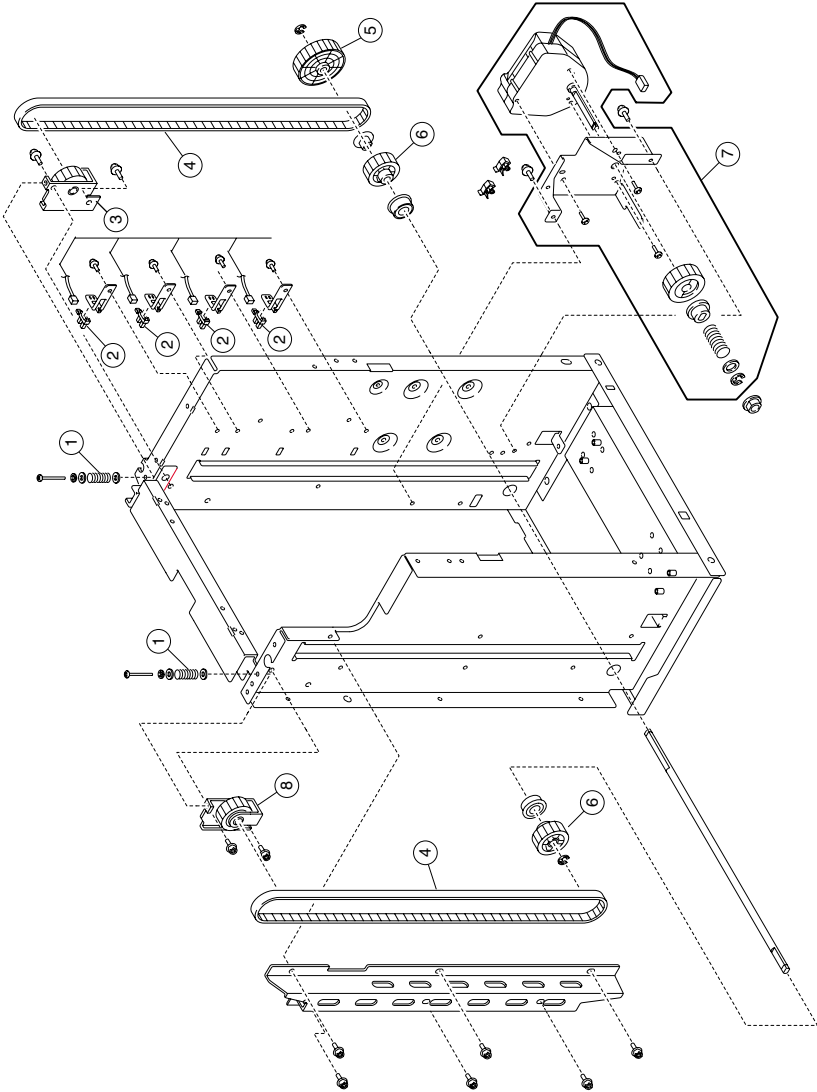
Assembly 21: High-capacity feeder 4



Assembly 21: High-capacity feeder 4

Index	P/N	Units	Description
21-1	56P9541	1	Sensor, resistor
2	56P9875	1	Cable assembly, safety switch
3	56P9865	1	Cable assembly, HCF motor
4	56P9871	1	Cable assembly, I/F
5	56P9866	1	Cable assembly, paper feed sensor
6	56P9880	1	Cable, up/down switch
7	56P9879	1	Cable, paper volume
8	56P9878	1	Cable assembly, sensor
9	56P9877	1	Cable assembly, paper size sensor
10	56P9876	1	Cable assembly, lift motor
11	56P9868	1	Board, high-capacity feed
12	56P9873	1	Cable assembly, power supply out
13	56P9872	1	Cable assembly, power supply in
14	56P9874	1	Cable assembly, power supply
15	56P9870	1	Converter, DC/DC
16	56P9869	1	Power supply, HCF
17	56P9867	1	Cable assembly, drawer ground
18	56P9861	4	Roller, track
19	56P9864	1	Switch, micro
20	56P9530	1	Switch, push
21	56P9501	1	Spring, pressure pickup
22	56P9863	1	Switch, HCF push
NS	56P9961	1	Parts packet

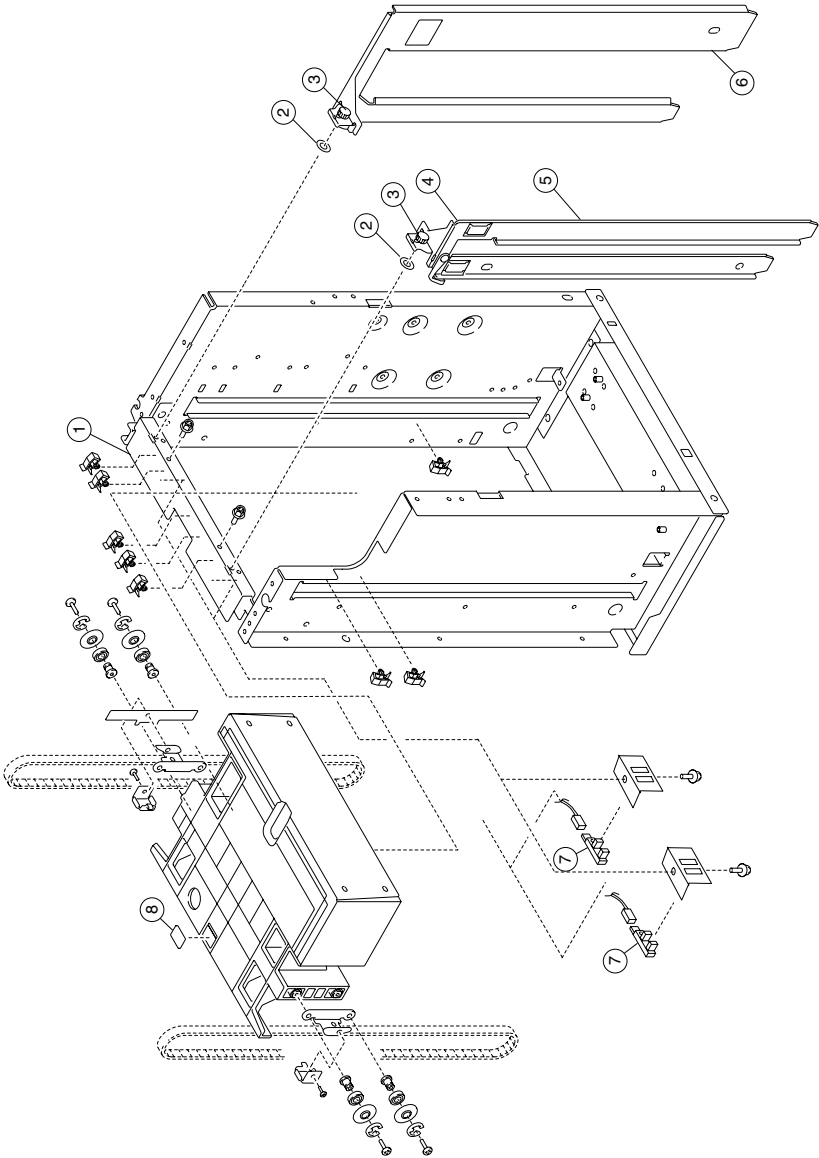
Assembly 22: High-capacity feeder 5



Assembly 22: High-capacity feeder 5

Index	P/N	Units	Description
22-1	56P9883	2	Spring, pressure
2	56P9528	4	Interrupter, photo
3	56P9888	1	Bracket, rear idler
4	56P9884	2	Belt, timing
5	56P9886	1	Gear, drive
6	56P9885	2	Pulley, timing
7	56P9882	1	Motor, HCF DC
8	56P9887	1	Bracket, front idler
NS	56P9962	1	Parts packet

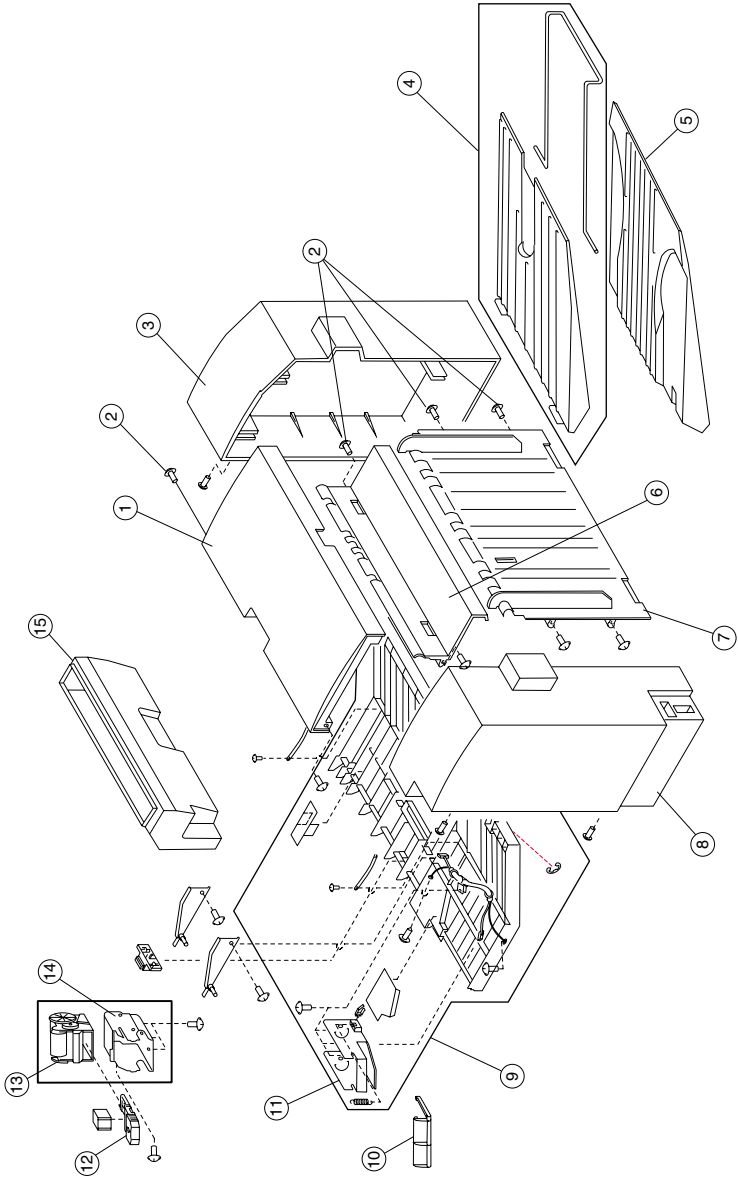
Assembly 23: High-capacity feeder 6



Assembly 23: High-capacity feeder 6

Index	P/N	Units	Description
23-1	56P9892	1	Plate, upper side fence
2	56P9893	2	Knob, stopper
3	56P9891	2	Knob, tray
4	56P9890	2	Plate, paper adhesion
5	56P9915	1	Fence assembly, front side
6	56P9894	1	Fence assembly, rear side
7	56P9528	2	Interrupter, photo
8	56P9889	1	Pad, friction
NS	56P9963	1	Parts packet

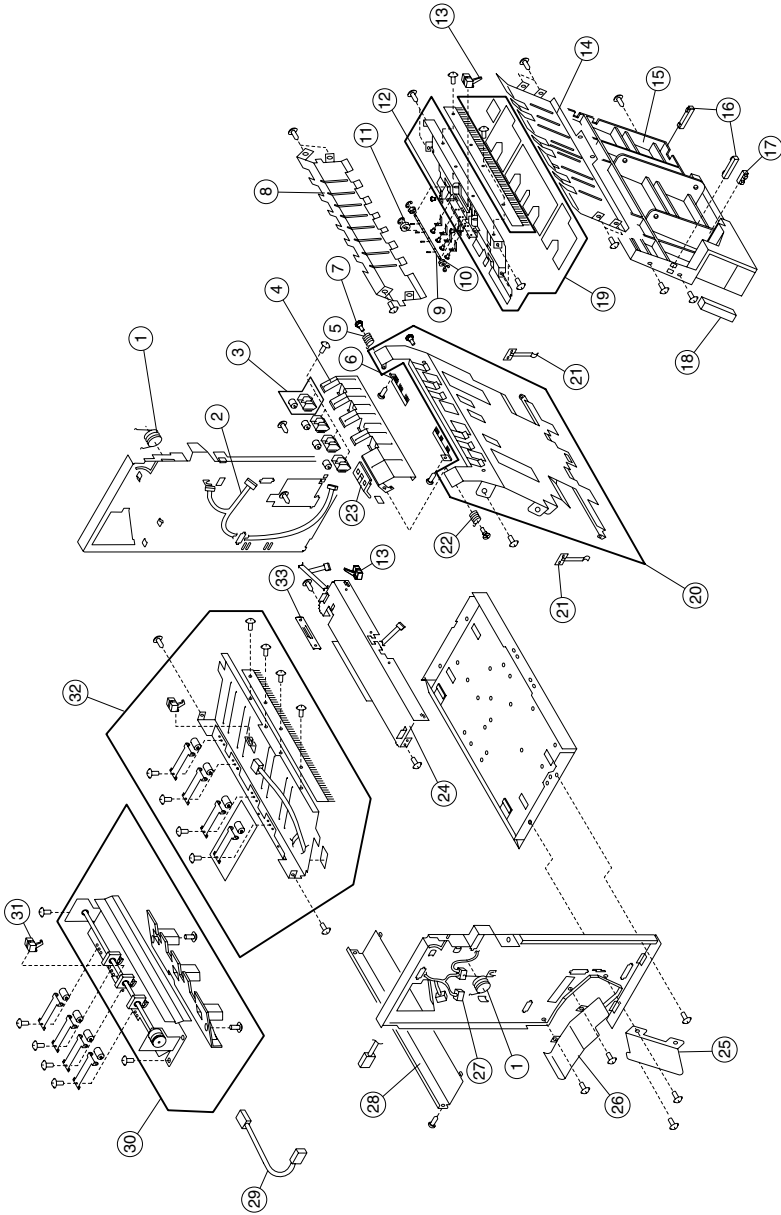
Assembly 24: Finisher covers



Assembly 24: Finisher covers

Index	P/N	Units	Description
24-1	56P9353	1	Cover, top
2	56P9348	5	Screw, A
3	56P9355	1	Cover, front
4	56P9359	1	Tray, upper
5	56P9360	1	Tray, lower
6	56P9347	1	Panel, left upper
7	56P9352	1	Assembly, lower left panel
8	56P9356	1	Cover, rear
9	56P9350	1	Assembly, staple cover
10	56P9366	1	Lever, B
11	56P9365	1	Cover, staple A
12	56P9367	1	Cartridge, staple
13	56P9363	1	Stapler
14	56P9364	1	Cover, staple B
15	56P9354	1	Assembly, dust box

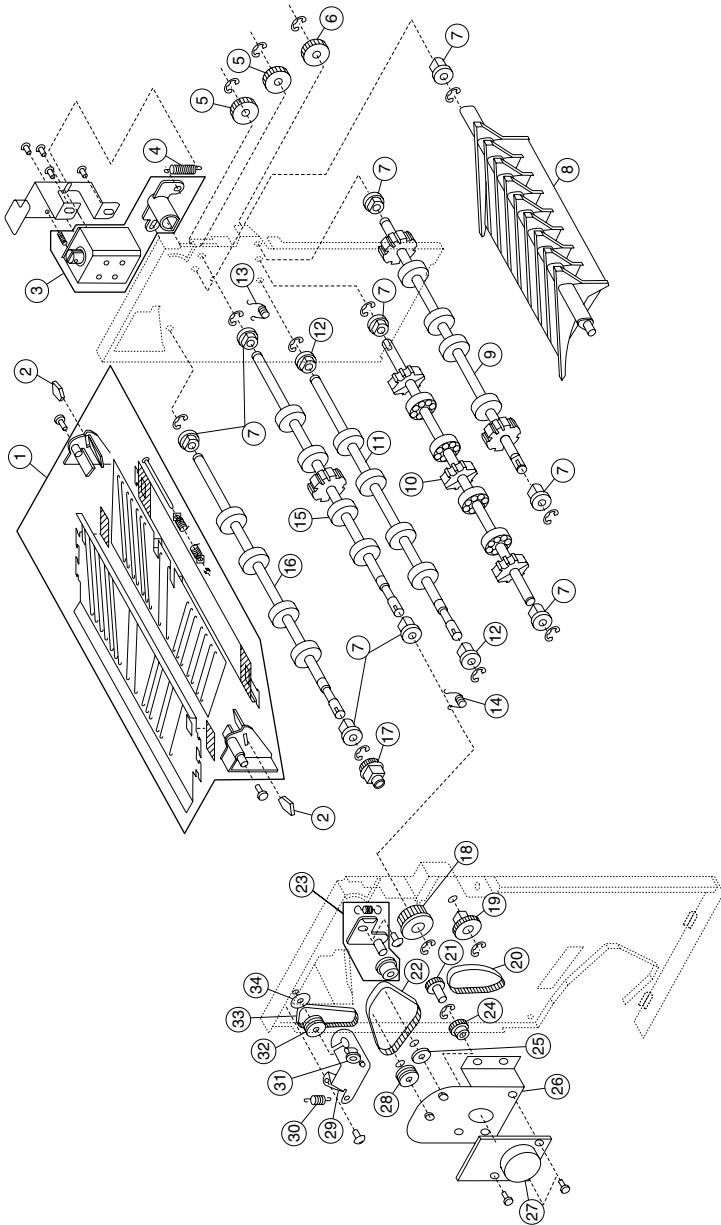
Assembly 25: Finisher frame



Assembly 25: Finisher frame

Index	P/N	Units	Description
25-1	56P9321	2	Spring, I
2	56P9324	1	Cable, sensor relay
3	56P9369	12	Assembly, spring plate C
4	56P9370	1	Frame, guide
5	56P9371	1	Spring
6	56P9372	1	Brush, static discharge
7	56P9373	2	Screw, M4
8	56P9374	2	Frame, C guide
9	56P9375	1	Shaft, D
10	56P9376	1	Bushing
11	56P9377	1	Roller, D
12	56P9378	1	Plate, E spring
13	56P9380	2	Sensor, photo
14	56P9381	1	Frame, B guide
15	56P9418	1	Guide, stack
16	56P9399	2	Sensor, photo
17	56P9382	1	Sensor, photo
18	56P9383	1	Cushion
19	56P9309	1	Assembly, exit guide inverter
20	56P9302	1	Assembly, center guide
21	56P9384	2	Plate, B spring
22	56P9386	1	Spring
23	56P9387	1	Handle, jam
24	56P9389	1	Bracket
25	56P9345	1	Cover, staple inner B
26	56P9344	1	Cover, staple inner A
27	56P9327	1	Cable, upper side panel
28	56P9390	1	Plate, cover
29	56P9436	1	Cable
30	56P9313	1	Unit, 3 hole punch (U.S. only)
30	56P9314	1	Unit, 4 hole punch (non U.S.)
31	56P9388	1	Sensor, 1 photo
32	56P9319	1	Assembly, exit guide straight
33	56P9394	1	Handle

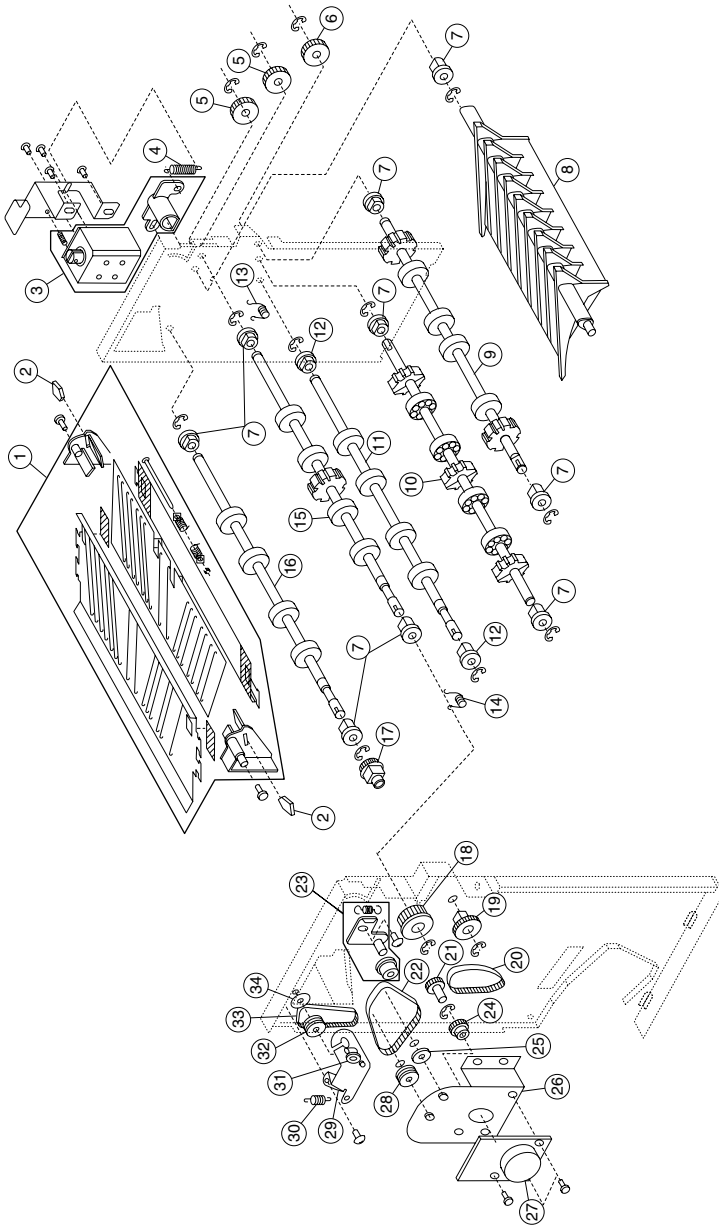
Assembly 26: Finisher feed 1



Assembly 26: Finisher feed 1

Index	P/N	Units	Description
26-1	56P9395	1	Assembly, guide plate
2	56P9393	2	Plate, guide holder
3	56P9334	1	Assembly, solenoid
4	56P9396	1	Spring, H
5	56P9397	2	Gear, Z20
6	56P9398	1	Gear, Z19
7	56P9311	9	Bushing
8	56P9310	1	Gate
9	56P9400	1	Roller
10	56P9361	1	Roller, patting
11	56P9401	1	Roller, I
12	56P9402	2	Bushing
13	56P9403	1	Spring, A
14	56P9404	1	Spring, F
15	56P9312	1	Roller, F
16	56P9405	1	Roller, G
17	56P9335	1	Clutch, registration
18	56P9338	1	Pulley, T56
19	56P9406	1	Pulley, Z24/T42 gear
20	56P9407	1	Belt, timing 60S2M184
21	56P9408	1	Knob
22	56P9339	1	Belt, timing 60S2M334
23	56P9305	1	Assembly, tension D
24	56P9411	1	Pulley
25	56P9412	1	Spacer
26	56P9413	1	Assembly, motor bracket
27	56P9341	1	Assembly, feed motor
28	56P9414	1	Pulley
29	56P9315	1	Assembly, punch drive
30	56P9318	1	Spring, B

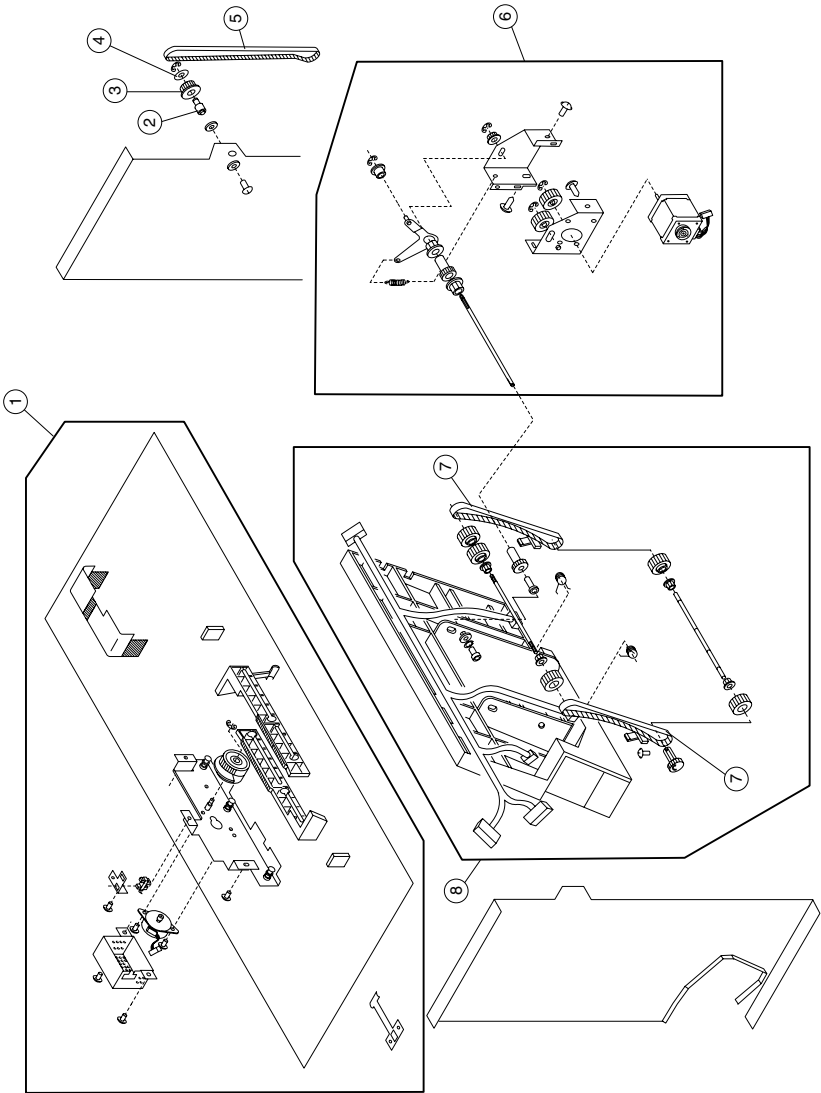
Assembly 26 (continued): Finisher feed 1



Assembly 26 (continued): Finisher feed 1

Index	P/N	Units	Description
26-31	56P9316	1	Bushing
32	56P9415	1	Pulley, gear Z36/T24
33	56P9317	1	Belt
34	56P9417	1	Flange

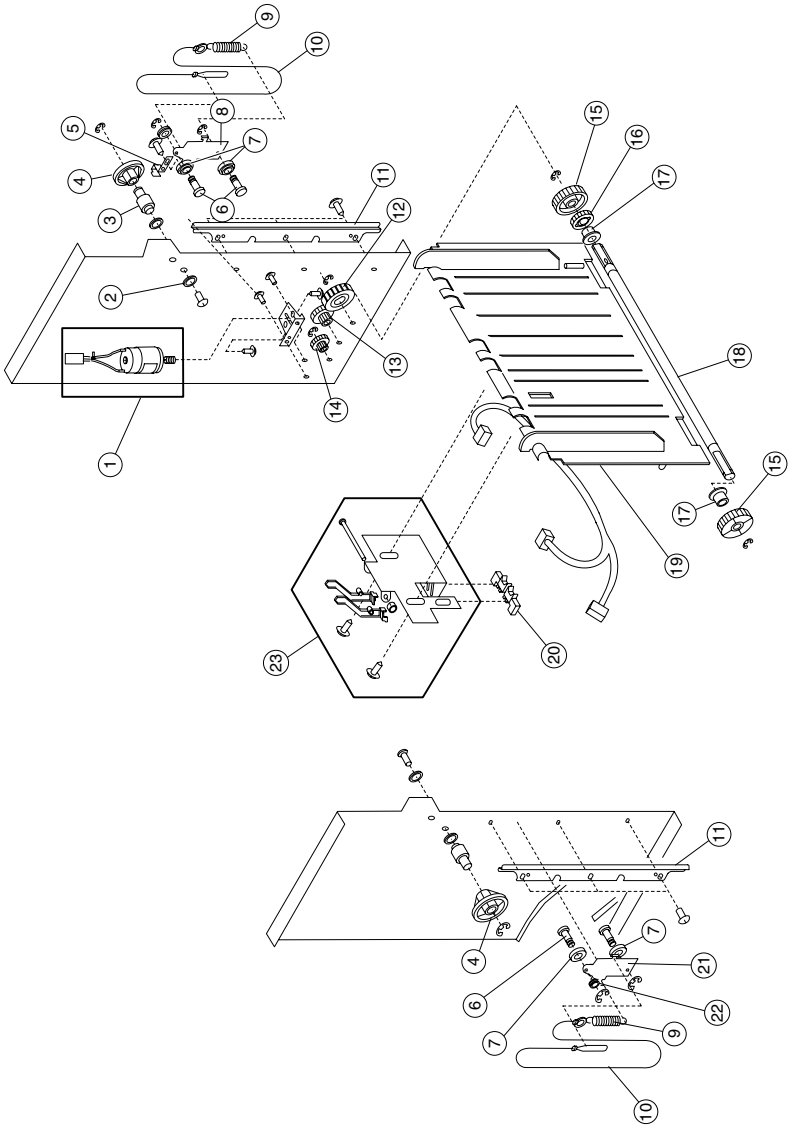
Assembly 27: Finisher feed 2



Assembly 27: Finisher feed 2

Index	P/N	Units	Description
27-1	56P9300	1	Assembly, jogging unit
2	56P9422	1	Pin, N
3	56P9423	1	Pulley, Z19/Z20
4	56P9417	1	Flange
5	56P9333	1	Belt, timing (60S3M408)
6	56P9329	1	Assembly, tractor motor
7	56P9437	2	Belt, timing
8	56P9301	1	Assembly, guide stack

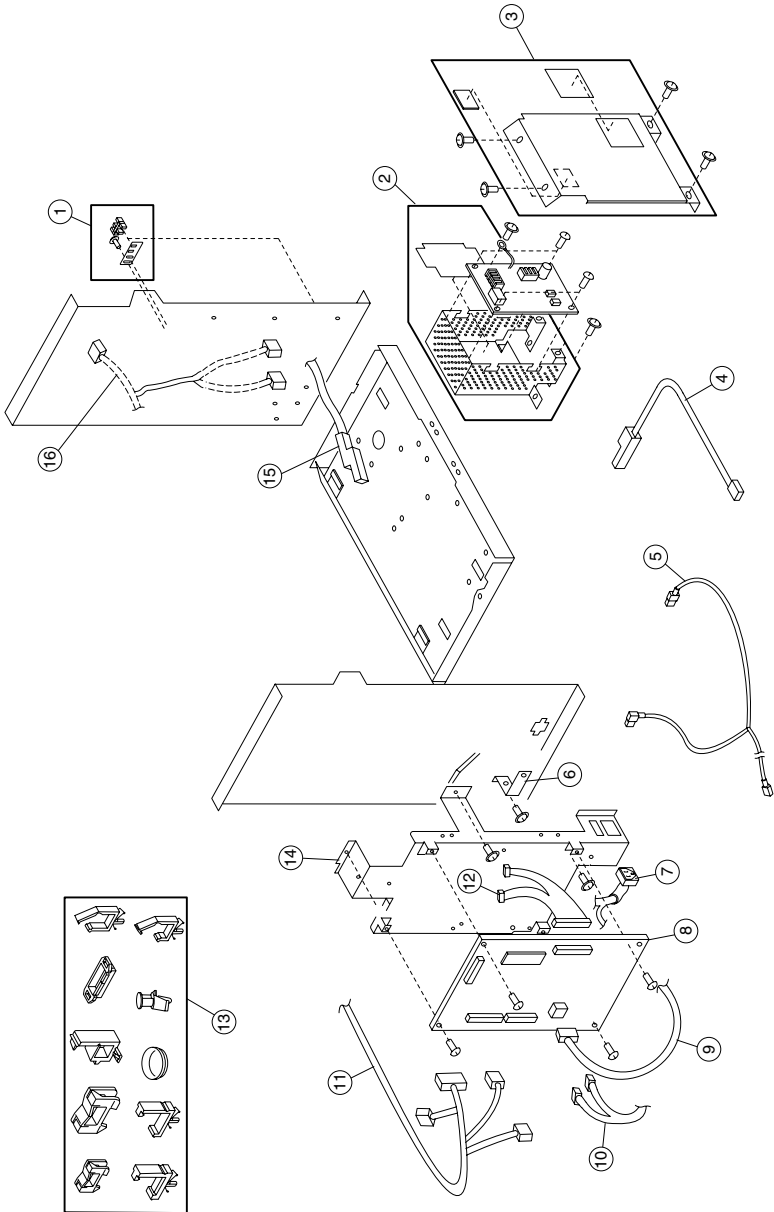
Assembly 28: Finisher elevator



Assembly 28: Finisher elevator

Index	P/N	Units	Description
28-1	56P9308	1	Assembly, elevator motor
2	56P9448	1	Washer
3	56P9449	1	Pin
4	56P9450	2	Pulley, wire A
5	56P9451	1	Shutter
6	56P9452	1	Pin, O
7	56P9453	4	Roller, C
8	56P9304	1	Assembly, hook front
9	56P9332	2	Spring, C
10	56P9331	2	Wire
11	56P9455	2	Bracket
12	56P9456	1	Gear, Z46/Z33
13	56P9457	1	Gear, Z90/Z14
14	56P9458	1	Gear, Z25/Z20
15	56P9459	2	Drum, wire
16	56P9460	1	Gear, Z30
17	56P9311	2	Bushing
18	56P9482	1	Shaft, A
19	56P9352	1	Panel, lower left
20	56P9382	1	Sensor
21	56P9307	1	Assembly, hook rear
22	56P9463	2	Pulley, wire B
23	56P9465	1	Assembly, sensor

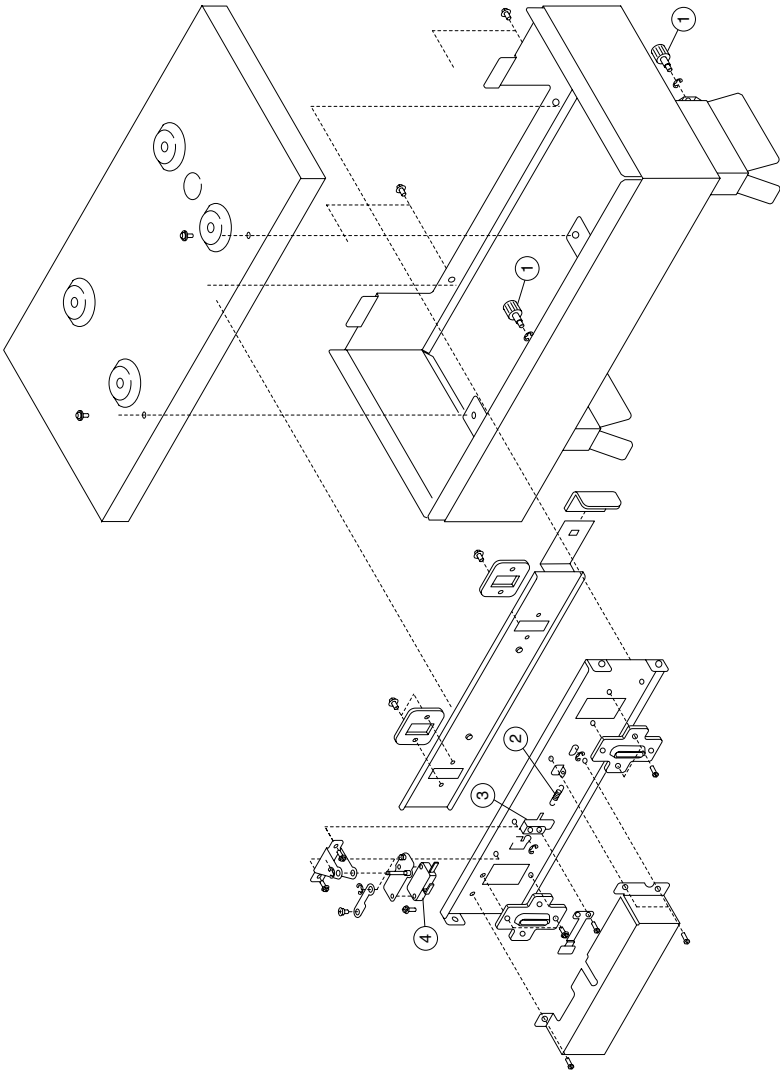
Assembly 29: Finisher electronics



Assembly 29: Finisher electronics

Index	P/N	Units	Description
29-1	56P9306	1	Assembly, upper limit sensor
2	56P9303	1	Supply, power
3	56P9351	1	Assembly, power supply plate
4	56P9435	1	Cable, set switch
5	56P9358	1	Cord, Y power
5	56P9368	1	Cord, Y power (230 V only)
6	56P9342	1	Assembly, bridge
7	56P9326	1	Cable, DC power supply
8	56P9349	1	Board, finisher control
9	56P9428	1	Cable
10	56P9410	1	Cable
11	56P9325	1	Cable, front side panel
12	56P9343	1	Assembly, sensor cable
13	56P9340	1	Packet, parts
14	56P9420	1	Bracket, finisher control board
15	56P9409	1	Cable
16	56P9324	1	Cable, sensor relay
NS	56P9357	1	Cable, interface

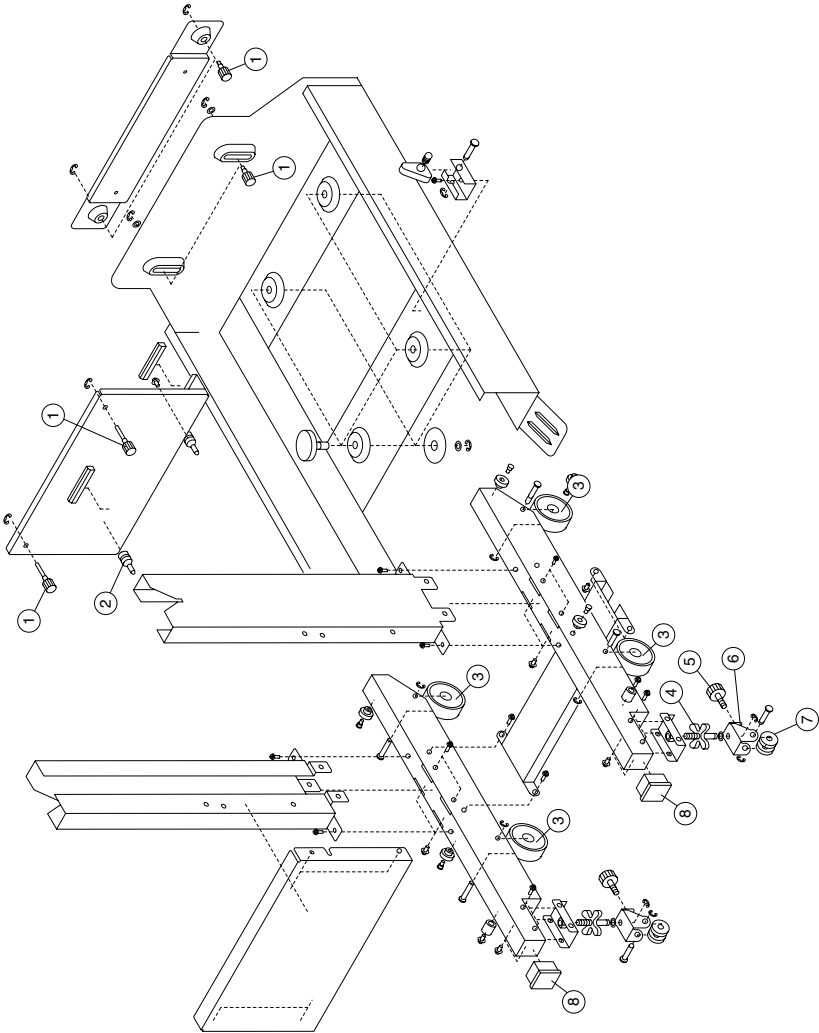
Assembly 30: Finisher docking 1



Assembly 30: Finisher docking 1

Index	P/N	Units	Description
30-1	56P9467	2	Screw, thumb
2	56P9468	1	Spring
3	56P9469	1	Bracket
4	56P9470	1	Switch, set

Assembly 31: Finisher docking 2



Assembly 31: Finisher docking 2

Index	P/N	Units	Description
31-1	56P9472	2	Screw, lock
2	56P9473	1	Stud, lock
3	56P9474	4	Roller
4	56P9475	2	Knob, caster
5	56P9476	2	Stop, caster
6	56P9477	2	Housing, caster
7	56P9478	4	Caster
8	56P9479	2	Cap

Assembly 32: Miscellaneous/options

Index	P/N	Units	Description
NS	12G6509	1	Card, SDRAM DIMM
NS	56P9910	1	Card assembly, 128MB SDRAM memory
NS	56P9911	1	Card assembly, 256MB SDRAM memory
NS	56P9912	1	Card assembly, 4MB Flash DIMM memory
NS	56P9913	1	Card assembly, 8MB Flash DIMM memory
NS	56P9914	1	Card assembly, 16MB Flash DIMM memory
NS	56P9982	1	Hard Disk, 5+ GB w/Mounting Kit (formatted)
NS	56P9934	1	Card, Token-Ring
NS	12G1695	1	Card, Ethernet 10/100Base-TX
NS	12G1696	1	Card, Ethernet 10BaseT/2
NS	56P0161	1	Card, RS-232C serial/parallel 1284 A-C interface
NS	99A0560	1	Card, Tri-Port adapter
NS	99A0424	1	Card, infrared adapter
NS	99A0545	1	Card, external serial adapter
NS	56P0159	1	Card, Coax/Twinax adapter for SCS
NS	56P0162	1	Adapter, parallel 1284 C-B
NS	13A0296	1	Cable, Twinax
NS	13A0297	1	Cable, Coax
NS	56P0598	1	Card, CGM
NS	56P1204	1	IPDS/SCS/TNe (C910)
NS	56P1762	1	IPDS/SCS/TNe (C912)
NS	56P9923	1	Card, ImageQuick™ (C910)
NS	56P9442	1	Card, ImageQuick (C912)
NS	56P1121	1	Card, bar code (C910)
NS	56P9440	1	Card, bar code (C912)
NS	56P9441	1	Card, PrintCryption™ (C912)
NS	56P9925	1	Card, PRESCRIBE
NS	56P9926	1	Software, Optra Forms™
NS	56P9927	1	Software, Optra Forms Director
NS	56P9928	1	DIMM, Lexmark Forms 4MB Flash
NS	56P9929	1	DIMM, Lexmark Forms 8MB Flash
NS	56P9930	1	DIMM, Lexmark Forms 16MB Flash

Assembly 32: Miscellaneous/options

Index	P/N	Units	Description
NS	56P9932	1	Hard Disk, Lexmark Forms
NS	56P9942	1	Mounting Kit, hard drive
NS	56P9936	1	Simplified Chinese font kit
NS	56P9935	1	Traditional Chinese font kit
NS	56P9975	1	Japanese font kit
NS	7370516	1	Kit, printer relocation
NS	7370567	1	Kit, duplex relocation
NS	7370569	1	Kit, 500-sheet tray relocation

Assembly 32: Parts packets

Index	P/N	Units	Description
NS	56P9945	1	Parts packet, containing: <ul style="list-style-type: none"> • 50 Bind S-tight screws, 3x6, Zn-3R • 50 Bind S-tight screws, 3x15, Zn-3K • 50 Bind P-tight screws, 3x8, Zn-3K • 50 Bind P-tight screws, 3x10, Zn-3K • 50 Bind P-tight screws, 3x6, Zn-3K • 50 Bind P-tight screws, 3x8, Ni-3 • 50 Bind screws, M3x6, Ni-3
NS	56P9946	1	Parts packet, containing: <ul style="list-style-type: none"> • 50 Bind S-tight screws, 3x6, Zn-3R • 50 Bind P-tight screws, 2x10, Zn-3K • 50 Bind P-tight screws, 3x4, Zn-3K • 50 Bind P-tight screws, 3x6, Zn-3K • 50 Bind P-tight screws, 3x8, Zn-3K • 50 Bind P-tight screws, 3x8, Ni-3 • 50 Bind screws, M3x4, Zn-3K • 50 E-rings, ES-5, ACP • 50 Spring pins, 3x12, ACP • 50 Parallel pins, 2.5x18
NS	56P9947	1	Parts packet, including: <ul style="list-style-type: none"> • 50 Bind S-tight screws, 3x6, Zn-3R • 50 Bind P-tight screws, 3x8, Zn-3K • 50 Bind P-tight screws, 3x10, Zn-3K • 50 Bind screws, M3x4, Zn-3K • 50 Bind screws, M3x8, Zn-3K • 50 Bind screws, M3x6, Ni-3 • 50 Screws with washers, M3x30, Zn-3K • 50 E-rings, ES-6, ACP

Assembly 32: Parts packets (continued)

Index	P/N	Units	Description
NS	56P9948	1	Parts packet, including: <ul style="list-style-type: none"> • 50 Bind S-tight screws, 3x6, Zn-3R • 50 Bind P-tight screws, 3x6, Zn-3K • 50 Bind P-tight screws, 3x8 Zn-3K • 50 Bind screws, M3x4, Zn-3K • 50 Bind screws, M3x6, Zn-3K • 50 Bind screws, M3x8, Zn-3K • 50 Pans with flange P-tight screws, 3x8, Zn-3K • 50 E-rings, ES-5, ACP • 50 E-rings, ES-6, ACP • 50 Spring pins, 2x10, ACP
NS	56P9949	1	Parts packet, including <ul style="list-style-type: none"> • 50 Bind S-tight screws, 3x6, Zn-3R • 50 Bind S-tight screws, 3x8, Zn-3R • 50 E-rings, ES-4, ACP
NS	56P9950	1	Parts packet, including: <ul style="list-style-type: none"> • 50 Bind S-tight screws, 3x6, Zn-3R • 50 Bind P-tight screws, 3x6, Zn-3K • 50 Bind P-tight screws, 3x8, Zn-3K • 50 E-rings, ES-3 ACP • 50 E-rings, ES-5, ACP • 50 E-rings, ES-6, ACP • 50 Spring pins, 2x10, ACP • 50 Bind screws, M3x8, Zn-3K • 50 Bind screws, M2x8, Ni-3

Assembly 32: Parts packets (continued)

Index	P/N	Units	Description
NS	56P9951	1	Parts packet, including: <ul style="list-style-type: none"> • 50 Bind S-tight screws, 3x6, Zn-3R • 50 Bind S-tight screws, 3x8, Zn-3R • 50 Bind S-tight screws, 3x12, Zn-3R • 50 Bind P-tight screws, 3x8, Zn-3K • 50 Bind screws, M3x4, Zn-3K • 50 Bind screws, M3x6, Zn-3K • 50 Bind screws, M3x12, Zn-3K • 50 Pans with flange P-tight screws, 3x10, Zn-3K • 50 Screws with washers, M3x30, Zn-3K • 50 Screws with washers, M4x8, Zn-3K • 50 Screws with washers, M4x12, Zn-3K • 50 Screws with washers, M3x6, Ni-3(BS) • 50 Screws with washers, M4x8, Ni-3(BS) • 50 Screws with spring-washers, M3x8, Ni-3(BS) • 50 Screws with spring-washers, M4x8, Ni-3(BS) • 50 Natt with flange sereit, M3, Ni-3 • 50 E-rings, ES-2.5, ACP • 50 Spring pins, 3x10, ACP
NS	56P9952	1	Parts packet, including: <ul style="list-style-type: none"> • 50 Bind S-tight screws, 3x6, Zn-3R • 50 Bind screws, M3x6, Zn-3K • 50 Bind screws, M3x10, Zn-3K • 50 Bind screws, M3x6, Ni-3

Assembly 32: Parts packets (continued)

Index	P/N	Units	Description
NS	56P9953	1	Parts packet, including: <ul style="list-style-type: none"> • 50 Bind S-tight screws, 3x6, Zn-3R • 50 Bind P-tight screws, 3x6, Ni-3 • 50 Bind screws, M3x4, Zn-3K • 50 Bind screws, M3x4, Zn-3K • 50 Bind screws, M3x5, Zn-3K • 50 Screws with washers, M3x10, Zn-3R • 50 Screws with washers, M3x8, Zn-3K • 50 Screws with washers, M3x6, Ni-3(BS) • 50 E-rings, ES-4, ACP • 50 E-rings, ES-5, ACP • 50 C-rings, C-21, ACP
NS	56P9954	1	Parts packet, including: <ul style="list-style-type: none"> • 50 Bind P-tight screws, 3x6, Zn-3K • 50 Bind P-tight screws, 3x8, Zn-3K • 50 Bind screws, M4x8, Zn-3K • 50 Pans with flange P-tight screws, 3x10, Zn-3K • 50 E-rings, ES-5, ACP
NS	56P9955	1	Parts packet, including: <ul style="list-style-type: none"> • 50 Bind S-tight screws, 3x6, Zn-3R • 50 Bind screws, M3x6, Zn-3K • 50 Bind screws, M3x8, Ni-3 • 50 E-rings, ES-5, ACP

Assembly 32: Parts packets (continued)

Index	P/N	Units	Description
NS	56P9956	1	Parts packet, including: <ul style="list-style-type: none"> • 50 Bind S-tight screws, 3x6, Zn-3R • 50 Bind S-tight screws, 3x8, Zn-3R • 50 Bind P-tight screws, 3x6, Zn-3K • 50 Bind P-tight screws, 3x8, Zn-3K • 50 Bind screws, M3x4, Zn-3K • 50 Bind screws, M3x6, Zn-3K • 50 E-rings, ES-5, ACP • 50 E-rings, ES-6, ACP • 50 Spring pins, 2x10, ACP • 50 Spring pins, 3x10, ACP
NS	56P9957	1	Parts packet, including: <ul style="list-style-type: none"> • 50 E-rings, ES-3, ACP • 50 E-rings, ES-4, ACP • 50 E-rings, ES-6, ACP • 50 R-screws, M3x6 • 50 R-screws, M3x8 • 50 R-screws, M4x6 • 50 Pans S-tight screws, M3x6 • 50 RP-tight screws, M3x8,
NS	56P9958	1	Parts packet, including: <ul style="list-style-type: none"> • 50 Bind S-tight screws, 3x6, Zn-3R • 50 Bind P-tight screws, 4x8, Zn-3R • 50 Pan screws, M4x6 Zn-3R • 50 Pan screws, M4x12, Zn-3R • 50 E-rings, ES-6, ACP • 50 RP-tight screws, M4x12 • 50 RS-tight screws, M4x6 • 50 RS-tight screws, M4x8 • 50 RS-tight screws, M4x12

Assembly 32: Parts packets (continued)

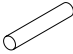















Index	P/N	Units	Description
NS	56P9958	1	Parts packet, including: <ul style="list-style-type: none"> • 50 E-rings, ES-3, ACP • 50 E-rings, ES-4, ACP • 50 E-rings, ES-6, ACP • 50 RS-set screw cp, M3x3, Zn-3K • 50 RS-tight screws, M4x6, • 50 RS-tight screws, M4x8,
NS	56P9959	1	Parts packet, including: <ul style="list-style-type: none"> • 50 E-rings, ES-3, ACP • 50 E-rings, ES-4, ACP • 50 E-rings, ES-6, ACP • 50 RS-set screw cp, M3x3, Zn-3K • 50 RS-tight screws, M4x6 • 50 RS-tight screws, M4x8
NS	56P9960	1	Parts packet, including: <ul style="list-style-type: none"> • 50 Bind S-tight screws, 3x10, Zn-3R • 50 E-rings, ES-4, ACP • 50 RS-tight screws, M3x24 • 50 RS-tight screws, M4x6 • 50 RS-tight screws, M4x8 • 50 RS-tight round top screws, M3x6
NS	56P9961	1	Parts packet, including: <ul style="list-style-type: none"> • 50 E-rings, ES-4, ACP • 50 RS-tight screws, M3x8 • 50 RS-tight screws, M3x24 • 50 RS-tight screws, M4x6 • 50 RS-tight screws, M4x8

Assembly 32: Parts packets (continued)



Index	P/N	Units	Description
NS	56P9962	1	Parts packet, including: <ul style="list-style-type: none"> • 50 Screws with spring-washers, M4x30, Zn-3R • 50 E-rings, ES-5, ACP • 50 Plain washers, M4, Zn-3R • 50 RS-tight screws, M4x6
NS	56P9963	1	Parts packet, including: <ul style="list-style-type: none"> • 50 Bind S-tight screws, 3x8, Zn-3R • 50 Bind S-tight screws, 4x6, Zn-3R • 50 Pan screws, M4x20, Zn-3R • 50 E-rings, ES-6, ACP • 50 RS-tight screws, M4x6 • 50 RS-tight round top screws, M4x6

Assembly 33: Finisher parts packet

P/N 56P9480

Pin		Retaining Ring -E Type	
Screw		Spring Pin	
Screw		Screw	
Tapping Screw		Spring Lock Washer	
Tapping Screw		Toothed Lock Washer	
Tapping Screw		Resin Ring	
Tapping Screw		Nut	
Set Screw		Tapping Screw	

5055-xxx

Plain Washer		Tapping Screw	
		Screw	