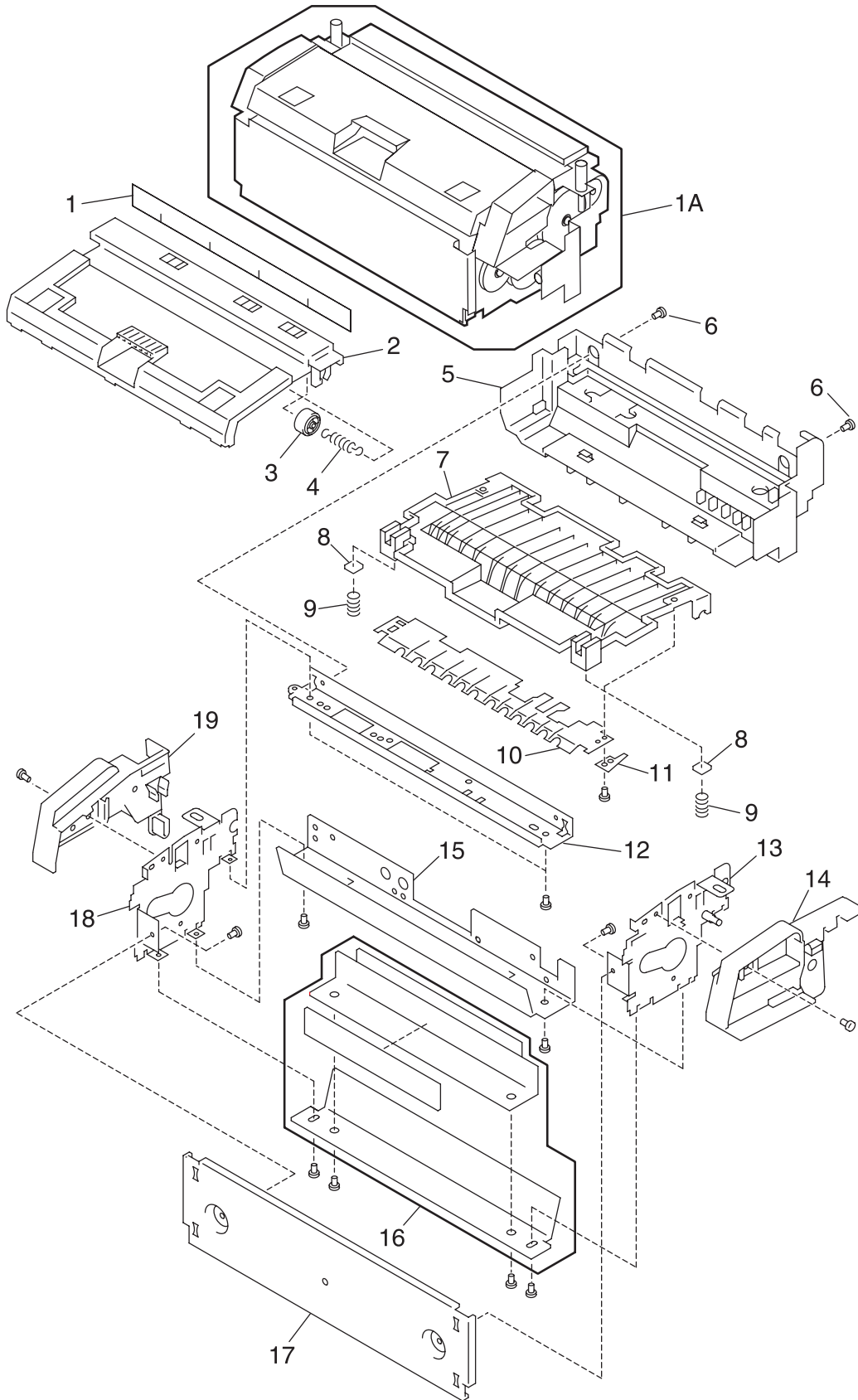


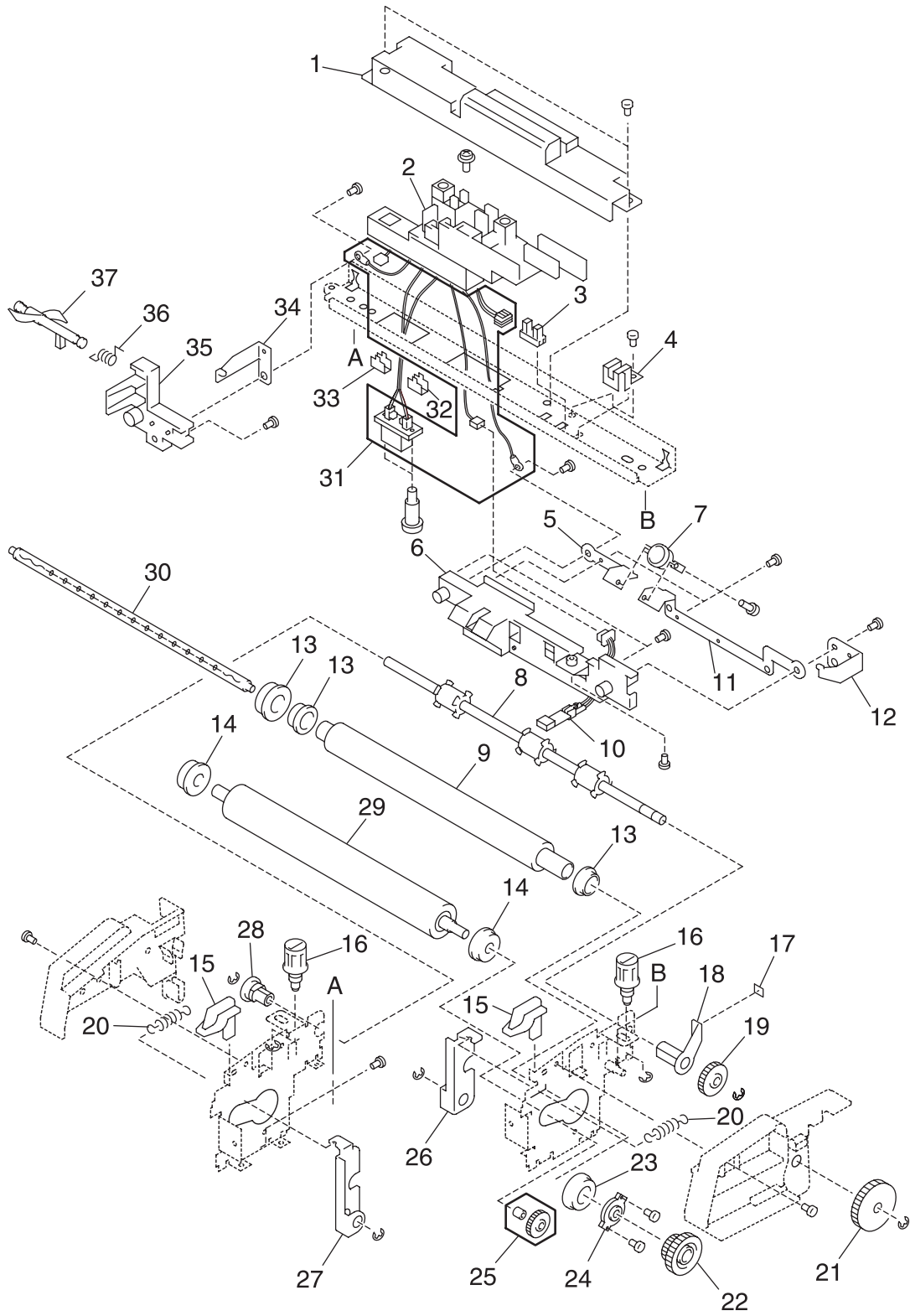
Assembly 1: Fuser



Assembly 1:

Asm. Index	Part Number	Units	Description
1 - 1A	12G1698	1	Fuser ASM, 110v W/Lamp
1 - 1A	12G1699	1	Fuser ASM, 220v W/Lamp
1	12G1014	1	Brush, Discharge
2	12G1100	1	Cover 1, Heat-insulating
3	12G1380	3	Roller 2
4	12G1339	3	Spring, Pinch Roller
5	12G1101	1	Cover, Paper Exit
6	12G1024	2	Screw, Shoulder
7	12G1102	1	Cover 2, Heat-insulating
8	12G1156	2	Spacer, Fuser
9	12G1309	2	Spring, Heat-insulating Cover
10	12G1129	1	Guide, Upper Paper Exit
11	12G1222	1	Guide, Ground Leaf Spring
12	12G1070	1	Plate, Cable Guide/Exit Sensor Mounting
13	12G1662	1	Plate Asm., Fuser, Right Side
14	12G1530	1	Handle, Right
15	12G1128	1	Guide, Upper Front
16	12G1167	1	Blade Asm., Oil
17	12G1055	1	Plate, Bottom
18	12G1661	1	Plate Asm., Fuser, Left Side
19	12G1529	1	Handle, Left

Assembly 2: Fuser

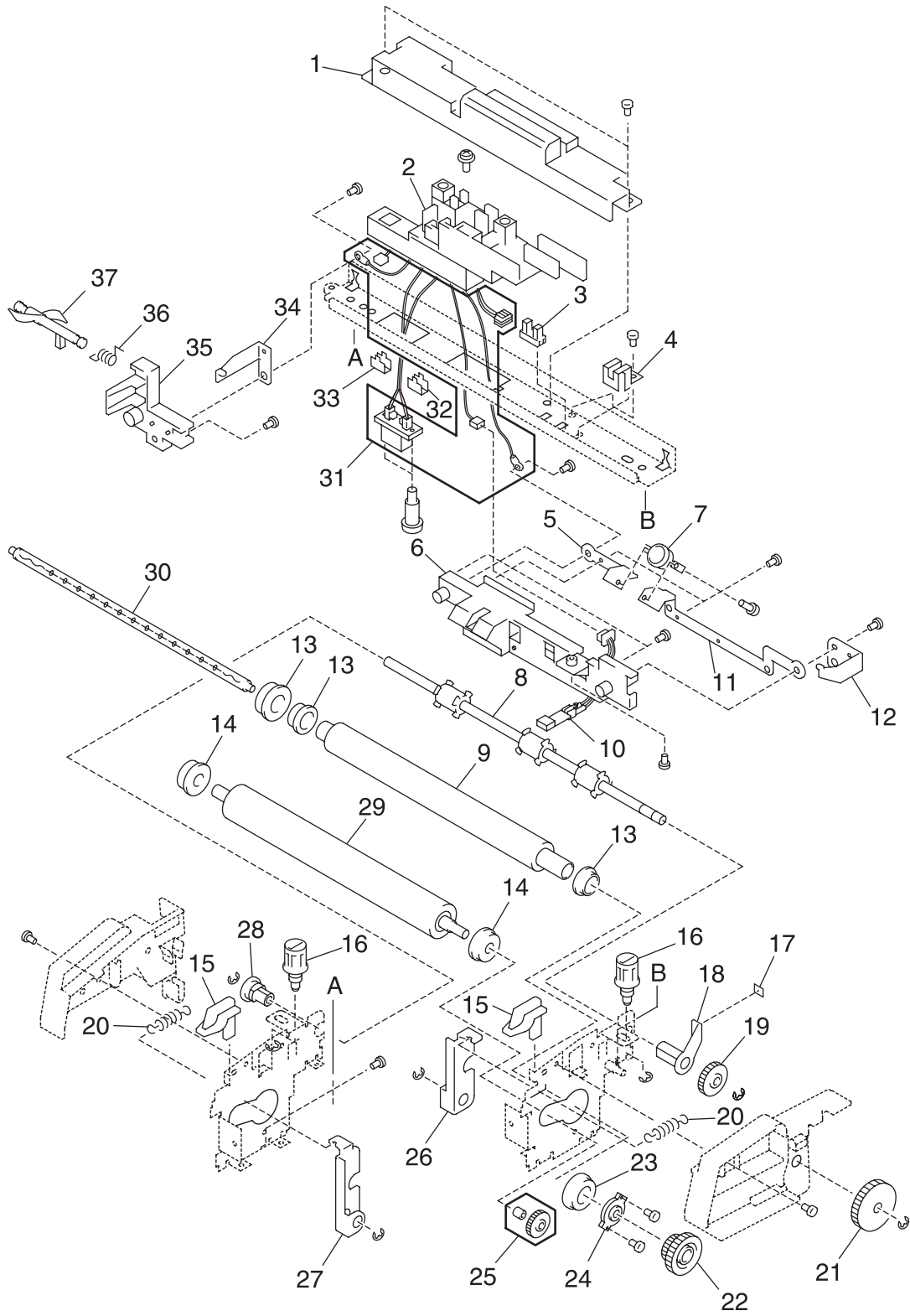


Note: Matching letters indicate corresponding assembly part locations.

Assembly 2:

Asm. Index	Part Number	Units	Description
2 -1	12G1010	1	Cover, Cable
2	12G1131	1	Guide, Cable
3	12G1664	1	Sensor, Paper Exit
4	12G1115	1	Plate, Shield
5	12G1203	1	Terminal, Thermostat 2
6	12G1172	1	Bracket, Thermistor
7	12G1020	1	Thermostat
8	12G1389	1	Roller, Paper Exit
9	12G1387	1	Roll, Hot
10	12G1009	1	Thermistor
11	12G1202	1	Terminal, Thermostat 1
12	12G1013	1	Terminal, Fuser Lamp, Right
13	12G1479	2	Bushing, Heat-insulation
14	12G1489	1	Bearing, Pressure Roller
15	12G1155	1	Spacer, Pressure Release
16	12G1027	1	Screw, Shoulder
17	12G1046	1	Sheet
18	12G1494	1	Bushing, Paper Exit Roller
19	12G1466	1	Gear, Paper Exit Roller
20	12G1308	1	Spring, Pressure
21	12G1430	1	Gear, Paper Exit, Idle
22	12G1420	1	Gear, Hot Roll
23	12G1484	2	Bearing, Hot Roll
24	12G1082	1	Plate, Bearing Pressure
25	12G1431	1	Gear, Pressure Roller
26	12G1068	1	Plate, Pressure, Right
27	12G1069	1	Plate, Pressure, Left
28	12G1490	1	Bushing, Paper Exit Roller, Left
30	12G1684	1	Lamp, Fuser 115V
30	12G1685	1	Lamp, Fuser 220V
29	12G1388	1	Roller, Pressure
31	12G1591	1	Cable Asm., HTU

Assembly 2 (Cont.): Fuser



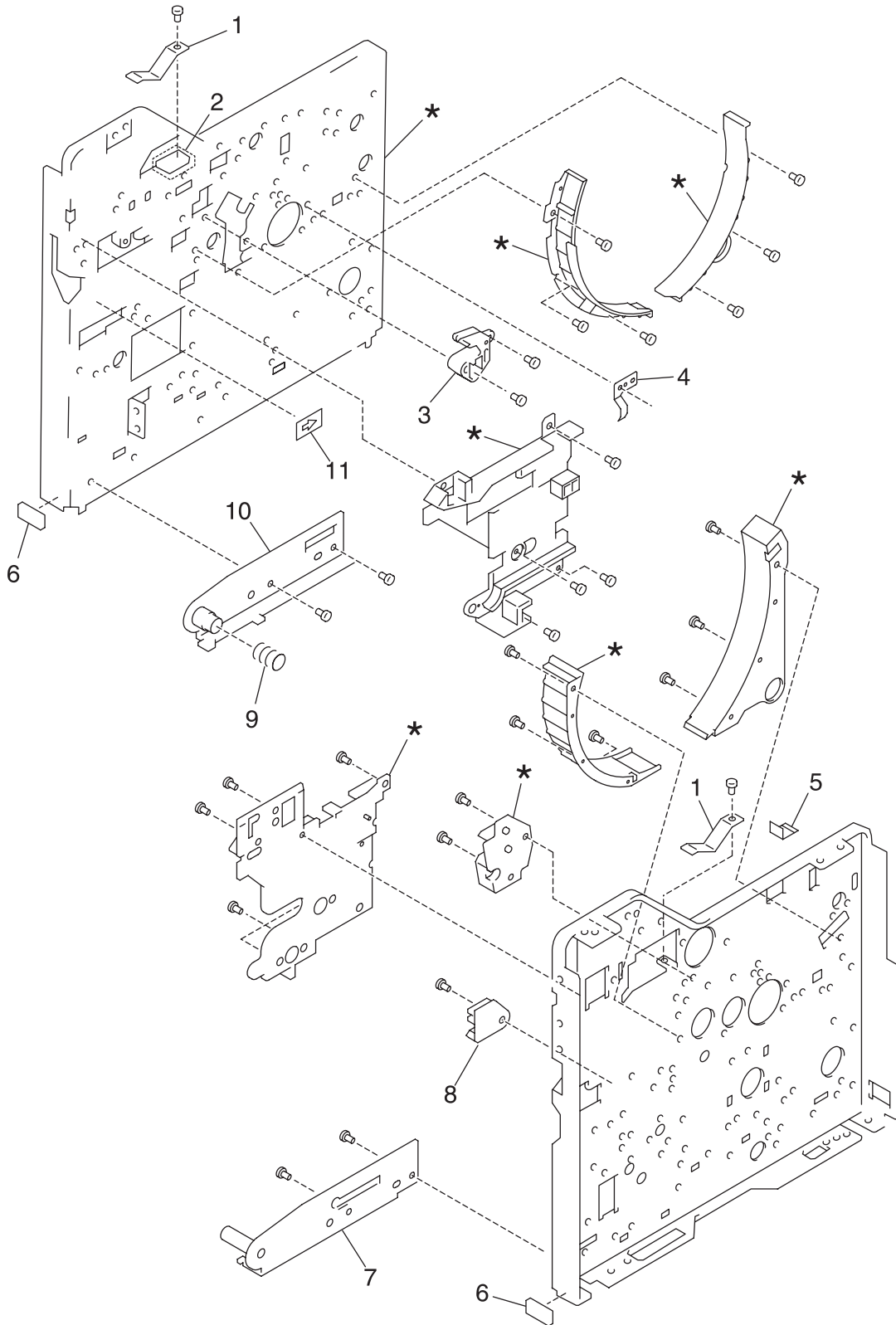
Note: Matching letters indicate corresponding assembly part locations.

5016-001

Assembly 2:

Asm. Index	Part Number	Units	Description
2 - 32	12G1347	1	Spacer, Connector, Right
33	12G1381	1	Spacer, Connector, Left
34	12G1012	1	Terminal, Fuser Lamp, Left
35	12G1173	1	Bracket, Lead/Fuser Lamp, Left
36	12G1363	1	Spring, Paper Exit Sensor
37	12G1280	1	Flag, Paper Exit Sensor

Assembly 3: Transfer



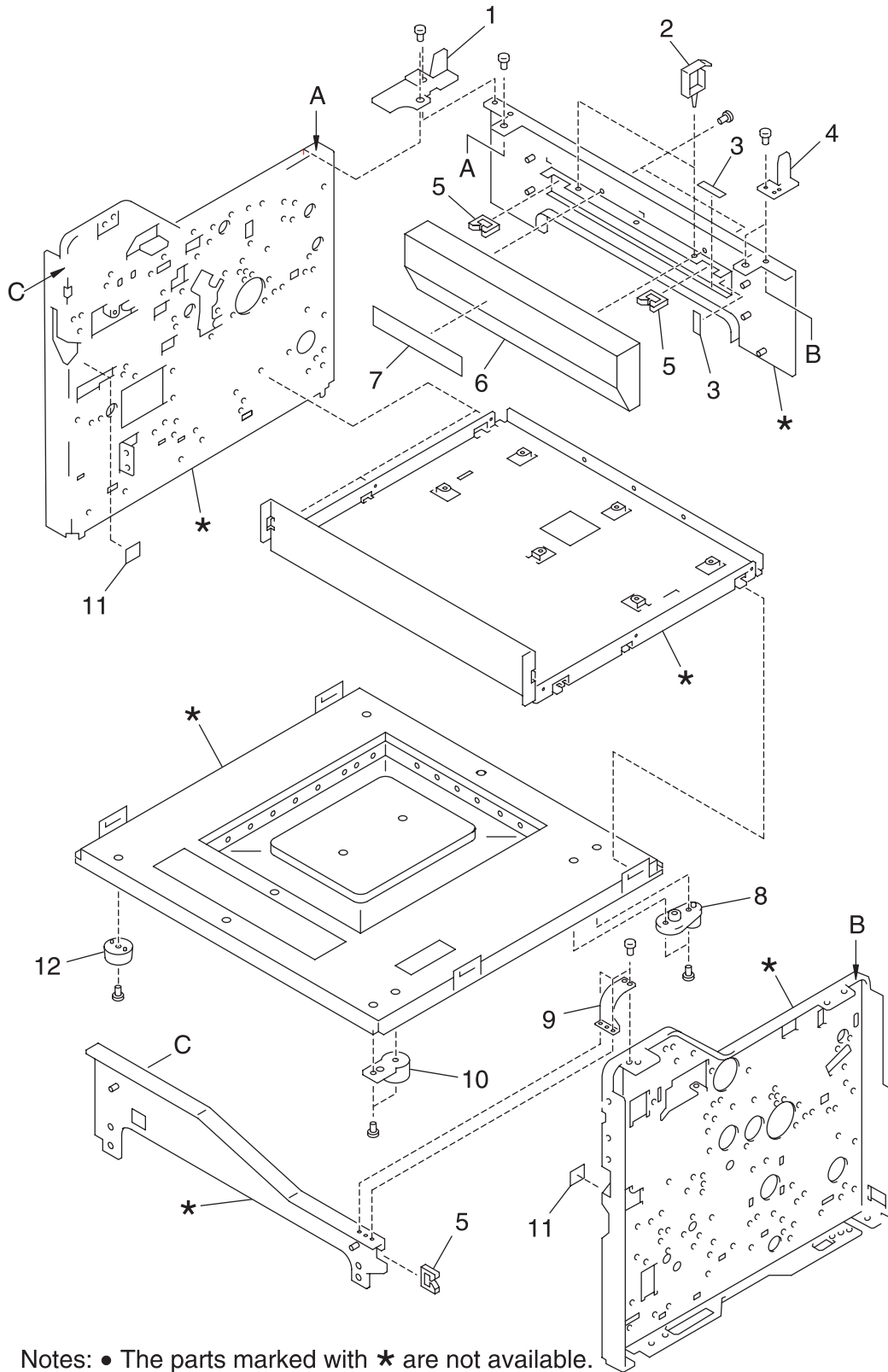
Note: The parts marked with * are not available.

5016-001

Assembly 3:

Asm. Index	Part Number	Units	Description
3 -1	12G1345	2	Spring, Transfer Unit
2	12G1182	1	Bracket, Spring
3	12G1074	1	Holder, Middle Transfer, Upper Rt.
4	12G1344	1	Spring, Center Pipe Ground
5	12G1018	1	Sheet, Discharge, Right
6	12G1052	2	Packing B
7	12G1616	1	Plate Asm., Fulcrum, Right
8	12G1073	1	Holder, Middle Transfer, Lower Rt.
9	12G1342	1	Spring, Ground
10	12G1617	1	Plate Asm., Fulcrum, Left
11	12G1665	1	Label, Insert Direction

Assembly 4: Frames



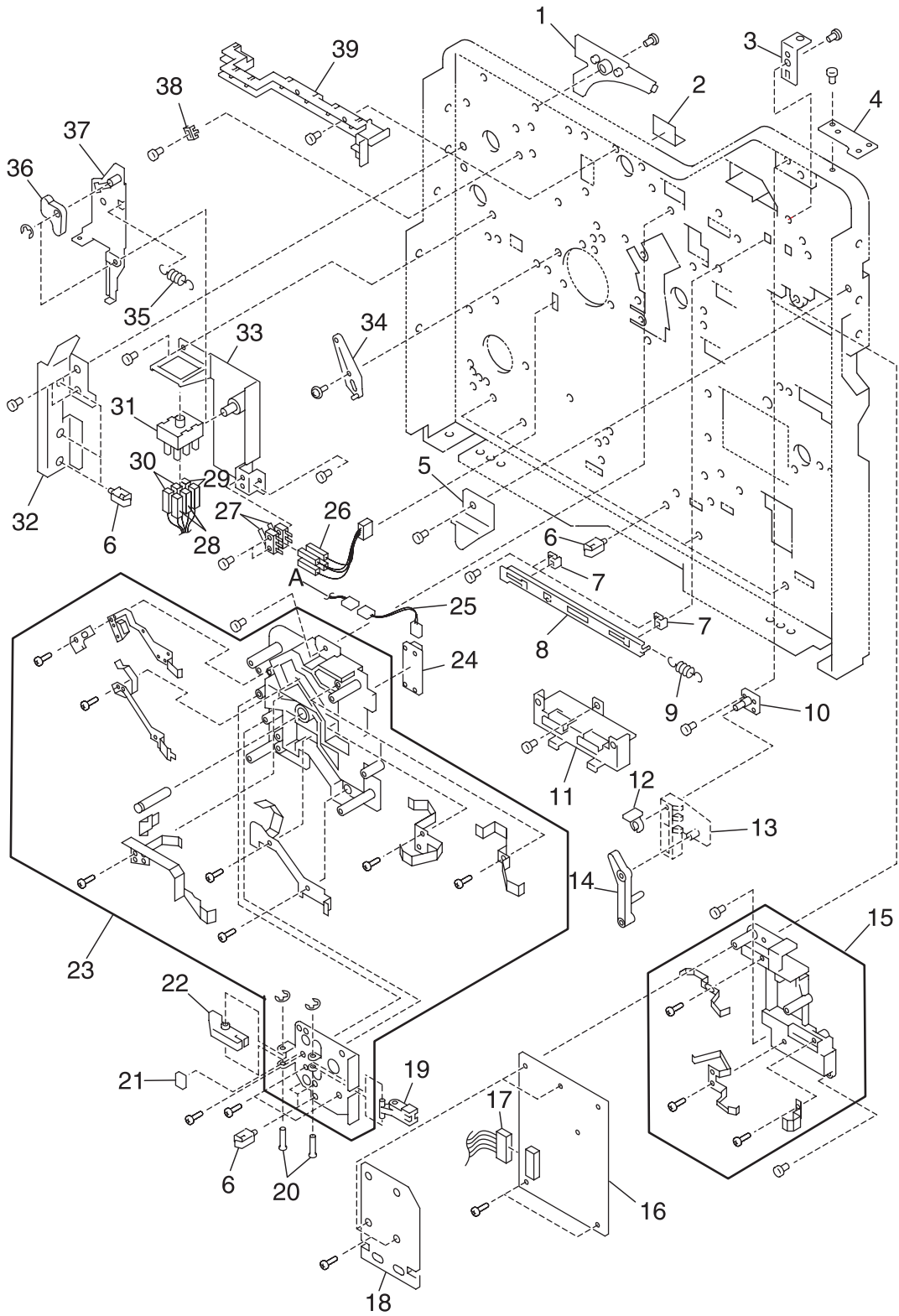
Notes: • The parts marked with * are not available.
 • Matching letters indicate corresponding assembly part locations.

5016-001

Assembly 4:

Asm. Index	Part Number	Units	Description
4 -1	12G1085	1	Support, ADU, Rear Left
2	12G1676	2	Clamp, Cable
3	12G1047	2	Sheet, Edge
4	12G1075	1	Support, ADU, Rear
5	12G1006	3	Clip, Edge
6	12G1105	1	Cover, Cable 4
7	12G1552	1	Label, Caution Laser
8	12G1372	1	Collar, Guide, 2
9	12G1230	1	Support, #1, Right
10	12G1371	1	Collar, Guide, 1
11	12G1558	1	Label, Insertion
12	12G1532	2	Foot, Machine

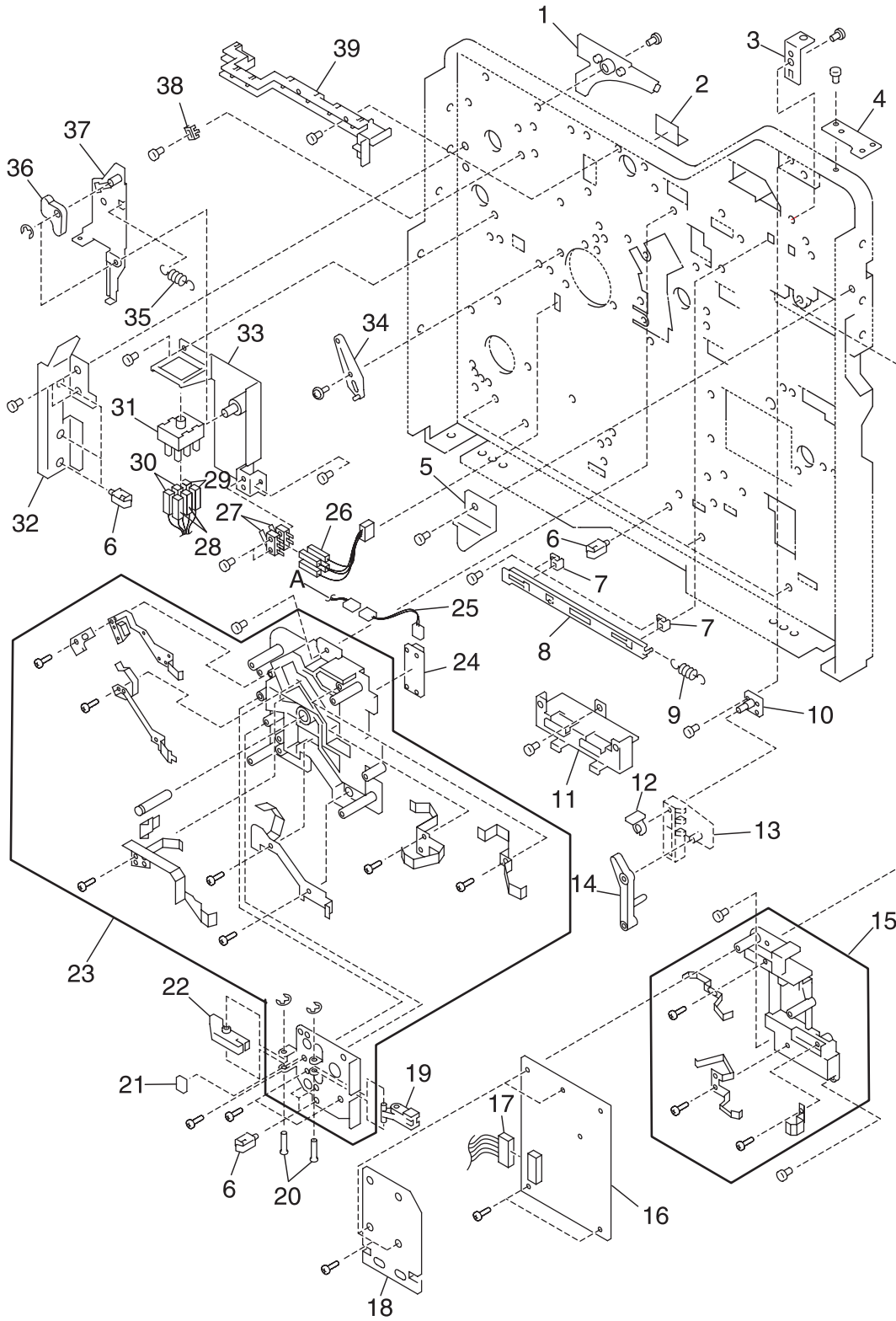
Assembly 5: Frames Left Side



Assembly 5:

Asm. Index	Part number	Units	Description
5 -1	12G1516	1	Cover, Inner, L
2	12G1016	1	Sheet, Discharge, L1
3	12G1181	1	Bracket, Fuser Fixing, Right
4	12G1231	1	Plate, Support 2, Left
5	12G1122	1	Stop, Latch, Left
6	12G1676	7	Clamp, Cable, LWS
7	12G1132	2	Guide, Door Actuator, 1
8	12G1285	1	Actuator, Door, 3
9	12G1313	1	Spring, Door Actuator
10	12G1634	1	Plate Asm., Door Switch Pin
11	12G1179	1	Bracket, HVPS Mounting
12	12G1036	1	Ring, Touch
13	12G1288	1	Actuator, Door, 4
14	12G1287	1	Actuator, Door, 5
15	12G1011	1	Block Asm., Grid, 2
16	12G1572	1	Board Asm., HVPS
16	12G1575	1	Board Asm., HVPS
17	12G1585	1	Cable, HVPS - Engine Board
18	12G1051	1	Shield, Mylar, HVPS
19	12G1269	1	Arm, 1
20	12G1251	2	Shaft
21	12G1048	1	Bumper, A
22	12G1270	1	Arm, 2
23	12G1635	1	Block Asm., Grid, 1
24	12G1566	1	Board Asm., Waste Toner Sensor
25	12G1615	1	Cable, TFS
26	12G1577	1	Cable, LINT
27	12G1001	2	Switch, Micro
28	12G1598	1	Cable, HT-LVPS to Interlock Sw S2
29	12G1589	1	Cable, VH-LVPS to Interlock Sw S2
30	12G1576	1	Cable, HTT Fu Lamps - Interlock S2
31	12G1007	1	Switch, Door
32	12G1107	1	Cover, Harness, 5

Assembly 5 (Cont.): Frames Left Side

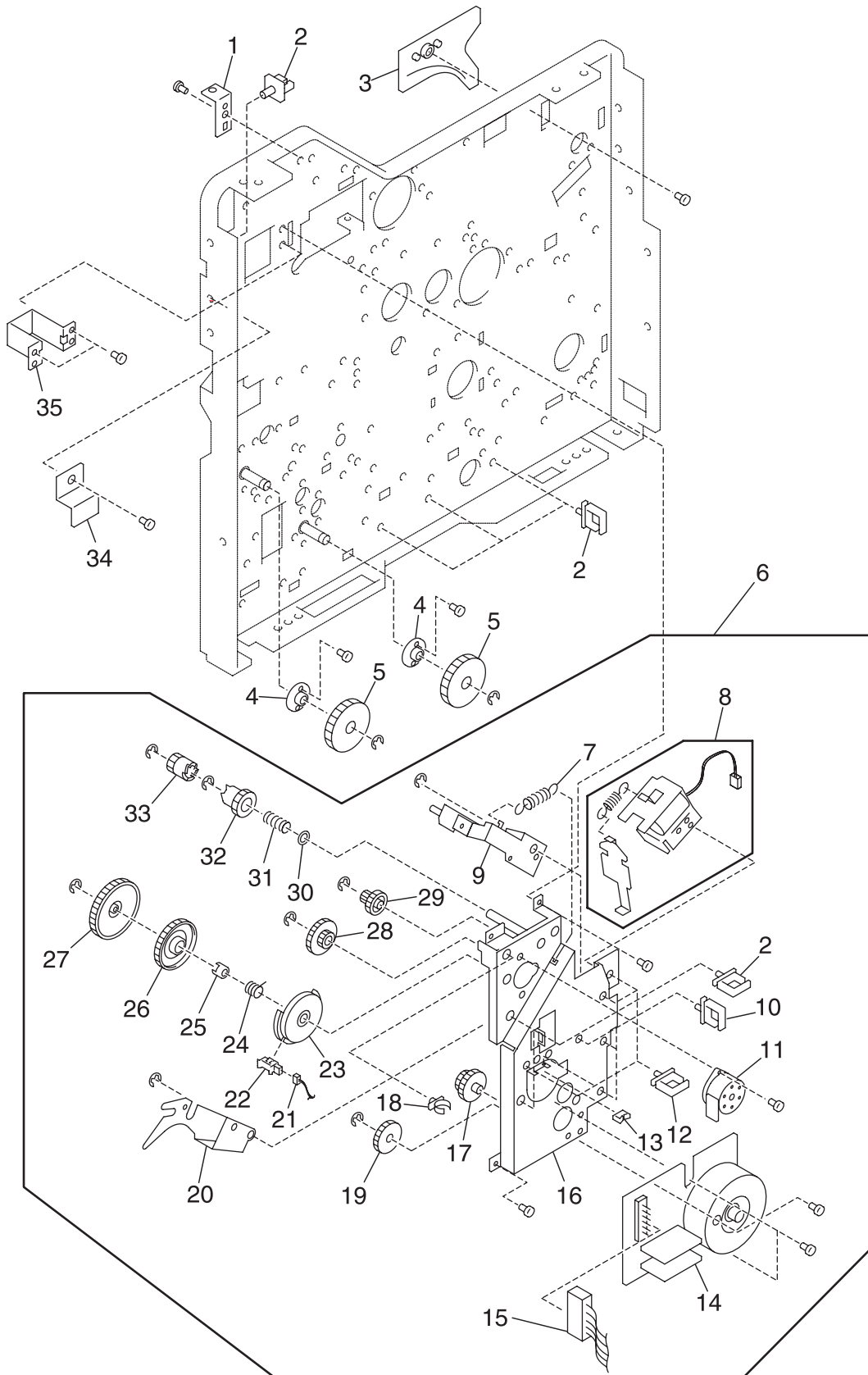


5016-001

Assembly 5:

Asm. Index	Part number	Units	Description
5 -33	12G1637	1	Bracket, Door, Switch
34	12G1201	1	Plate, Lens Adjustubg, A
35	12G1314	1	Spring, Door Actuator, 2
36	12G1286	1	Actuator, Switch
37	12G1633	1	Actuator Asm., Door Switch, 1
38	12G1133	1	Guide, Door Actuator, 2
39	12G1104	1	Cover, Cable, 3

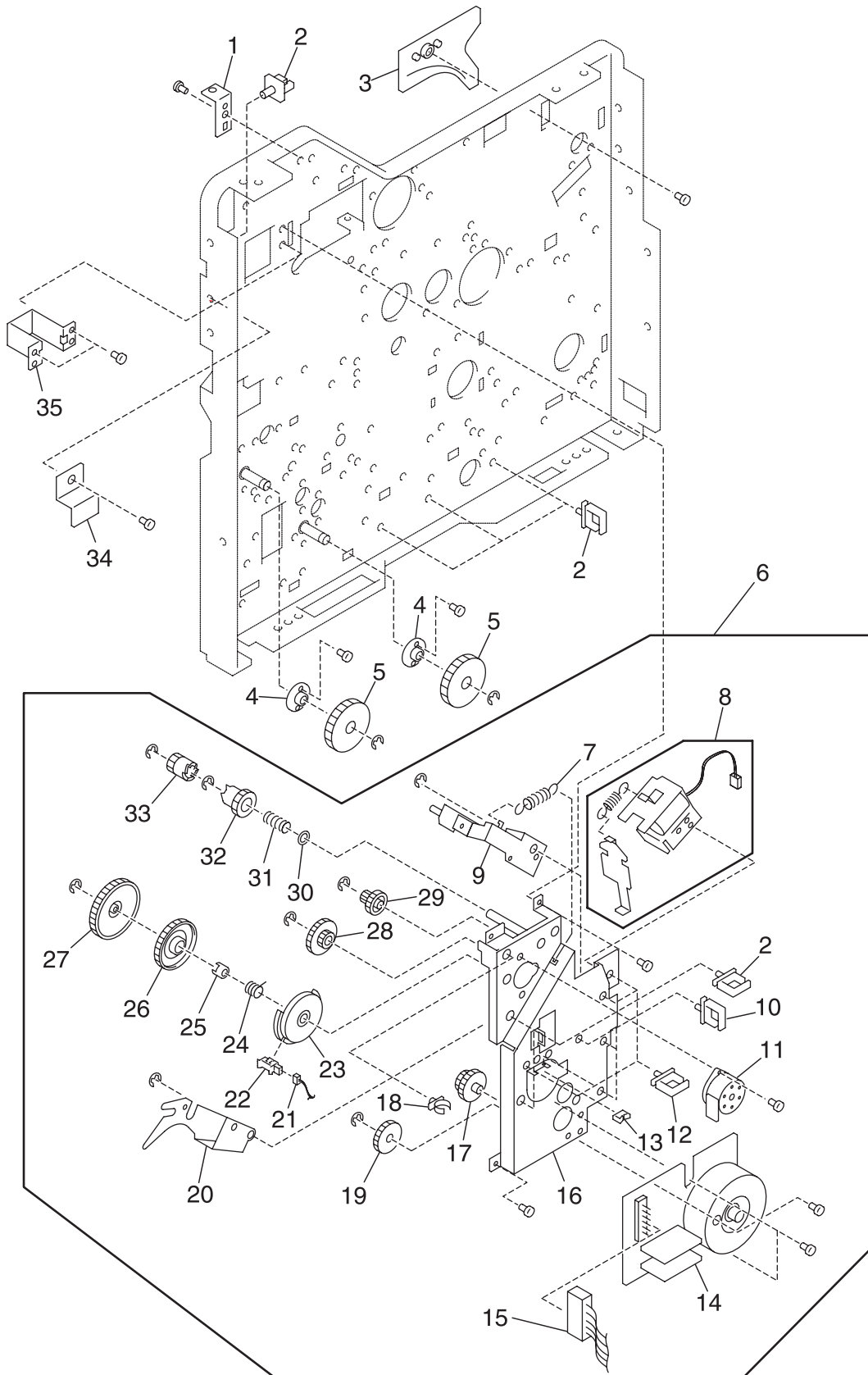
Assembly 6: Frames Right Side



Assembly 6:

Asm. Index	Part number	Units	Description
6 -1	12G1181	1	Bracket, Fuser Fixing, Right
2	12G1676	3	Clamp, Cable, LWS
3	12G1515	1	Cover, Inner, Right
4	12G1491	2	Bushing, Paper Feed
5	12G1422	2	Gear, 4
6	12G1348	1	Block Asm., Fuser Drive
7	12G1322	1	Spring, Lever
8	12G1019	1	Solenoid
9	12G1629	1	Lever, Asm., C2
10	12G1679	3	Clamp, Cable, LWS
11	12G1626	1	Motor Asm., Fuser Drive
12	12G1678	3	Clamp, Cable, LWS
13	12G1006	1	Clip, Edge
14	12G1004	1	Motor Asm., Developer Drive
15	12G1586	1	Cable, MK1
16	12G1627	1	Stay Asm., Motor Mounting, C
17	12G1443	1	Gear, Paper Feed Decrease, 1
18	12G1669	2	Clamp
19	12G1417	1	Gear, Fuser Idle
20	12G1628	1	Lever Asm., C1
21	12G1584	1	Cable, Cam Sensor
22	12G1664	1	Sensor, Cam
23	12G1262	1	Cam, Clutch
24	12G1672	1	Spring, Clutch
25	12G1374	1	Boss, Clutch
26	12G1475	1	Gear, Clutch Inner
27	12G1439	1	Gear, C5, Outer Clutch
28	12G1438	1	Gear, C4
29	12G1440	1	Gear, C2
30	12G1083	1	Plate, Spring
31	12G1321	1	Spring, Clutch
32	12G1437	1	Gear, C3-1
33	12G1451	1	Gear, C3-2

Assembly 6 (Cont.): Frames Right Side

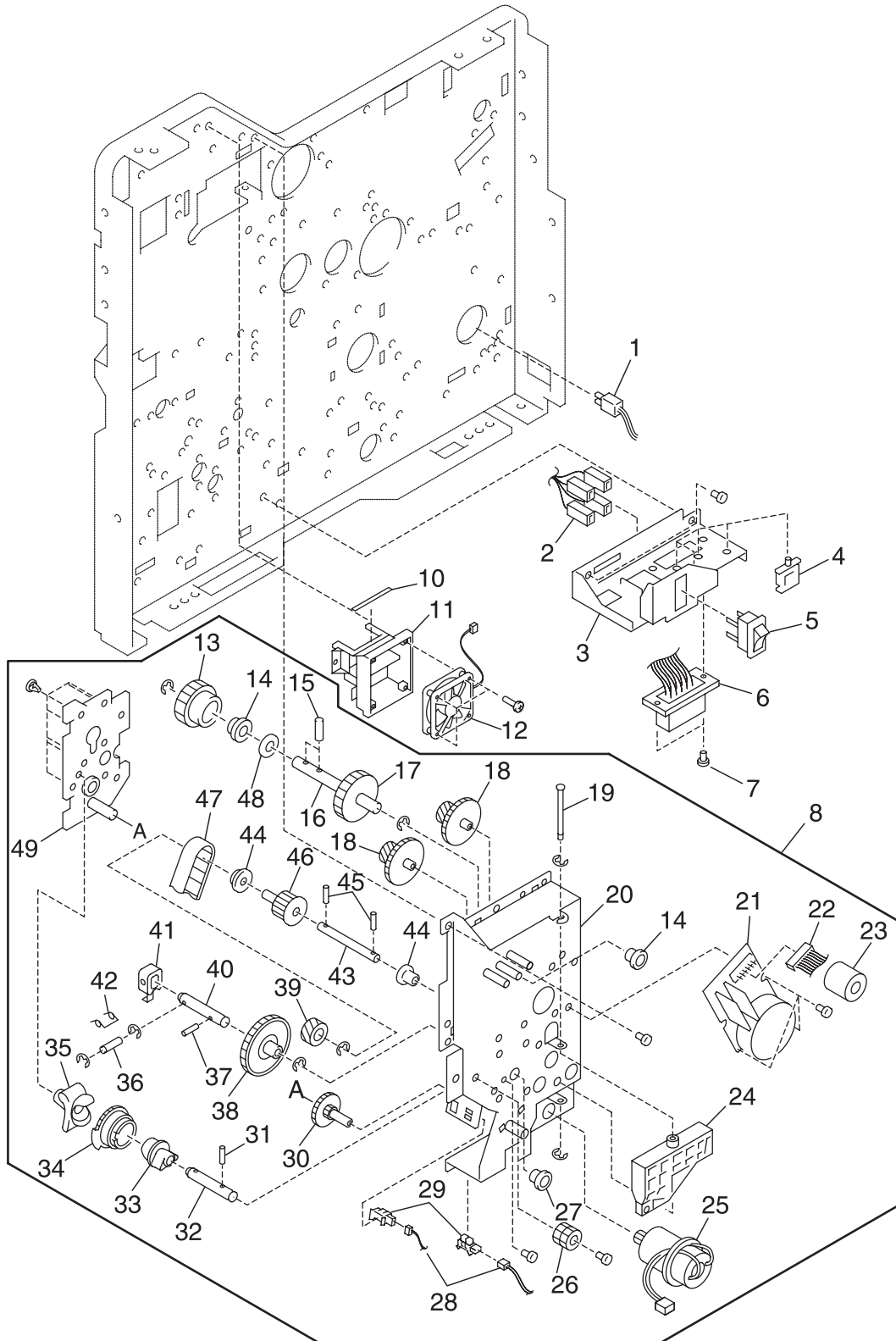


5016-001

Assembly 6:

Asm. Index	Part number	Units	Description
6 -34	12G1123	1	Stop, Latch, Right
35	12G1072	1	Support

Assembly 7: Frames Right Side 2

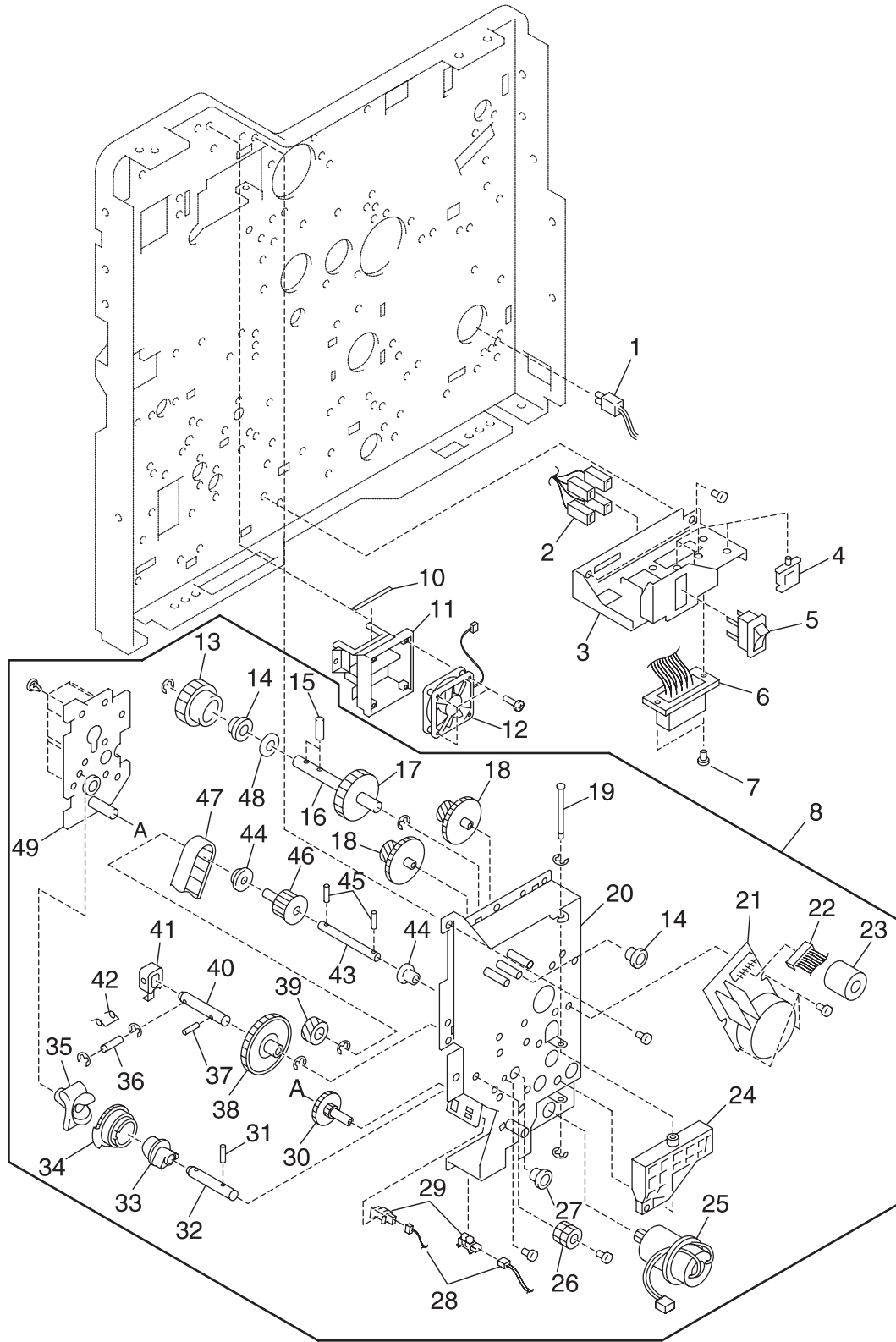


Note: Matching letters indicate corresponding assembly part locations.

Assembly 7:

Asm. Index	Part Number	Units	Description
7 - 1	12G1595	1	Cable, SVL
2	12G1588	1	Cable, AC, On/Off Switch
3	12G1176	1	Bracket, Door Lock Connector Mounting
4	12G1676	1	Clamp, Cable
5	12G1682	1	Switch, Main Power On/Off
6	12G1587	1	Cable, Operator Panel
7	12G1025	2	Screw, Shoulder
8	12G1225	1	Block Asm., OPC/Coupling Drive
10	12G1049	1	Seal, 2
11	12G1178	1	Bracket, Fan Mounting
12	12G1008	1	Fan, Main
13	12G1434	1	Gear, A10
14	12G1481	2	Bearing, TFR Belt Connecting Shaft
15	12G1692	2	Pin, Dowel, TFR Belt Connecting Shaft
16	12G1246	1	Shaft, Transfer Belt Connecting
17	12G1467	1	Gear, A71
18	12G1432	2	Gear, A6
19	12G1248	1	Shaft, Coupling Arm
20	12G1618	1	Stay Asm., Motor Mounting, A
21	12G1003	1	Motor Asm., OPC Drive
22	12G1586	1	Cable, OPC Drive Motor, MK 1
23	12G1005	1	Core, Ferrite
24	12G1268	1	Arm, Coupling, 1
25	12G1620	1	Motor Asm., Coupling Drive
26	12G1237	1	Knob, Coupling Arm 1, Release
27	12G1493	1	Bushing, Coupling, 1
28	12G1584	1	Cable, Sensor
29	12G1664	1	Sensor, Coupling On and Coupling Off
30	12G1435	1	Gear, Idler
31	12G1035	1	Pin, Dowel, Carriage Positioning
32	12G1032	1	Pin, Carriage Positioning

Assembly 7 (Cont.): Frames Right Side 2

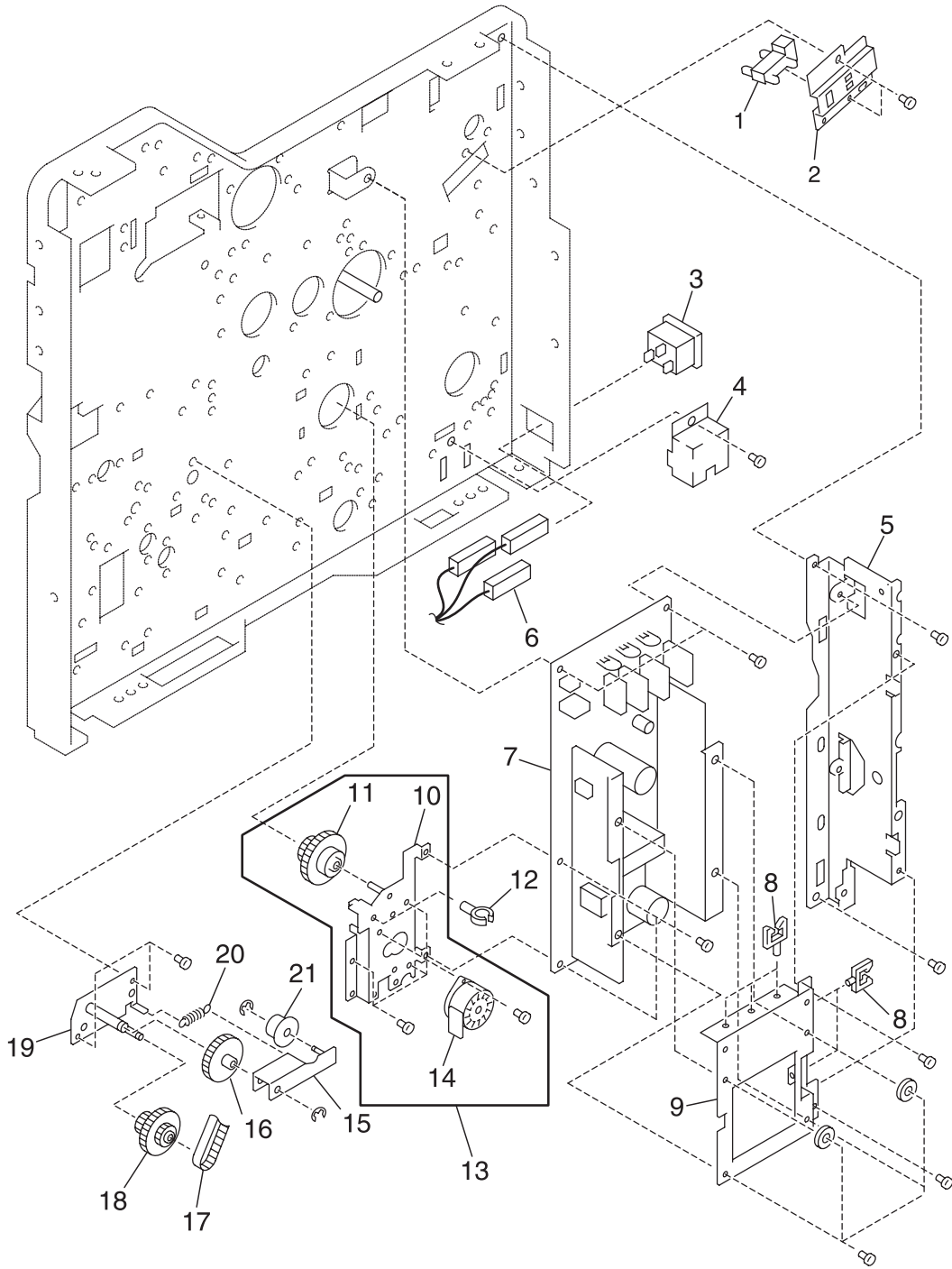


Note: Matching letters indicate corresponding assembly part locations.

Assembly 7:

Asm. Index	Part Number	Units	Description
7 - 33	12G1375	1	Sleeve, Coupling Cam
34	12G1261	1	Cam, Coupling
35	12G1263	1	Cam, 2
36	12G1256	1	Shaft, Coupling
37	12G1692	2	Pin, Dowel, Coupling Shaft
38	12G1433	1	Gear, A7
39	12G1445	1	Gear, B16
40	12G1247	1	Shaft, Coupling
41	12G1050	1	Coupling, Coupling Shaft
42	12G1310	1	Spring, Coupling
43	12G1253	1	Shaft, Developer Transmission
44	12G1476	2	Bearing, Developer Sleeve
45	12G1690	2	Pin, Dowel, Dev Transmission Shaft
46	12G1408	1	Sleeve, Developer
47	12G1469	1	Belt, Timing
48	12G1498	1	Slider, Poly, TFR Belt Connecting Shaft
49	12G1619	1	Bracket Asm., Drive

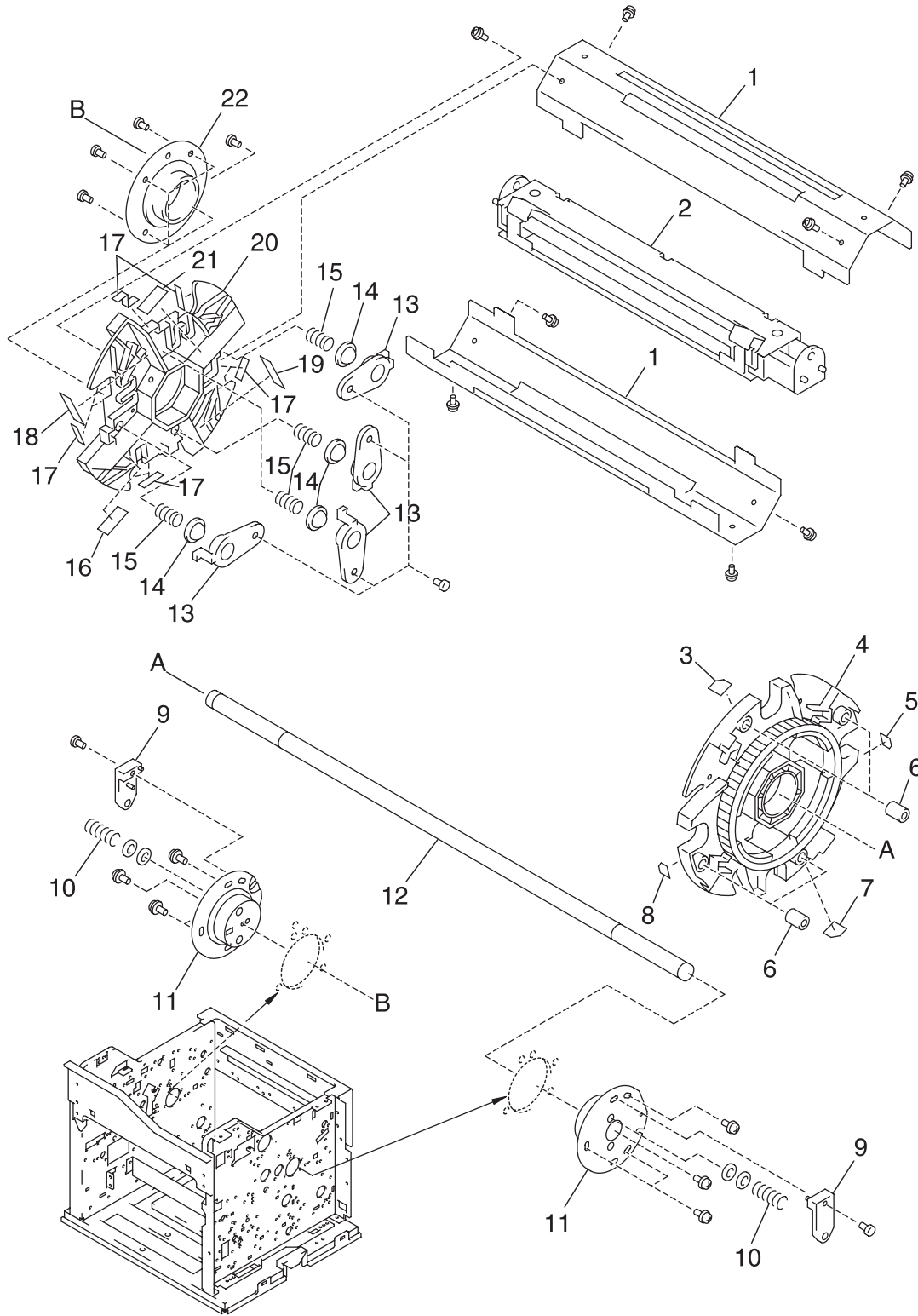
Assembly 8: Frames Right Side 3



Assembly 8:

Asm. Index	Part Number	Units	Description
8 - 1	12G1664	1	Sensor, Carriage Home Position
2	12G1067	1	Holder, Carriage Home Position Sensor
3	12G1673	1	Socket, AC Power Input
4	12G1180	1	Bracket, LVPS Mounting
5	12G1174	1	Bracket, LVPS Mounting
6	12G1588	1	Cable, AC Power Input
7	12G1570	1	LVPS, 115V
7	12G1571	1	LVPS, 220V
8	12G1676	10	Clamp, Cable
9	12G1232	1	Support, LVPS
10	12G1624	1	Plate Asm., Motor Mounting
11	12G1436	1	Gear, Idler
12	12G1669	1	Clamp, Cable
13	12G1130	1	Block Asm., Carriage Unit
14	12G1623	1	Motor Asm., Carriage Unit
14	12G1625	1	Motor Asm., Fuser Drive
15	12G1621	1	Base Asm., Idler Pulley
16	12G1444	1	Gear, B28
17	12G1469	1	Belt, Timing
18	12G1442	1	Gear, Developer Decrease
19	12G1622	1	Shaft Asm., Paper Feed Gear
20	12G1312	1	Spring, Tension Pulley
21	12G1407	1	Pulley, Idler, #1

Assembly 9: Carriage Block

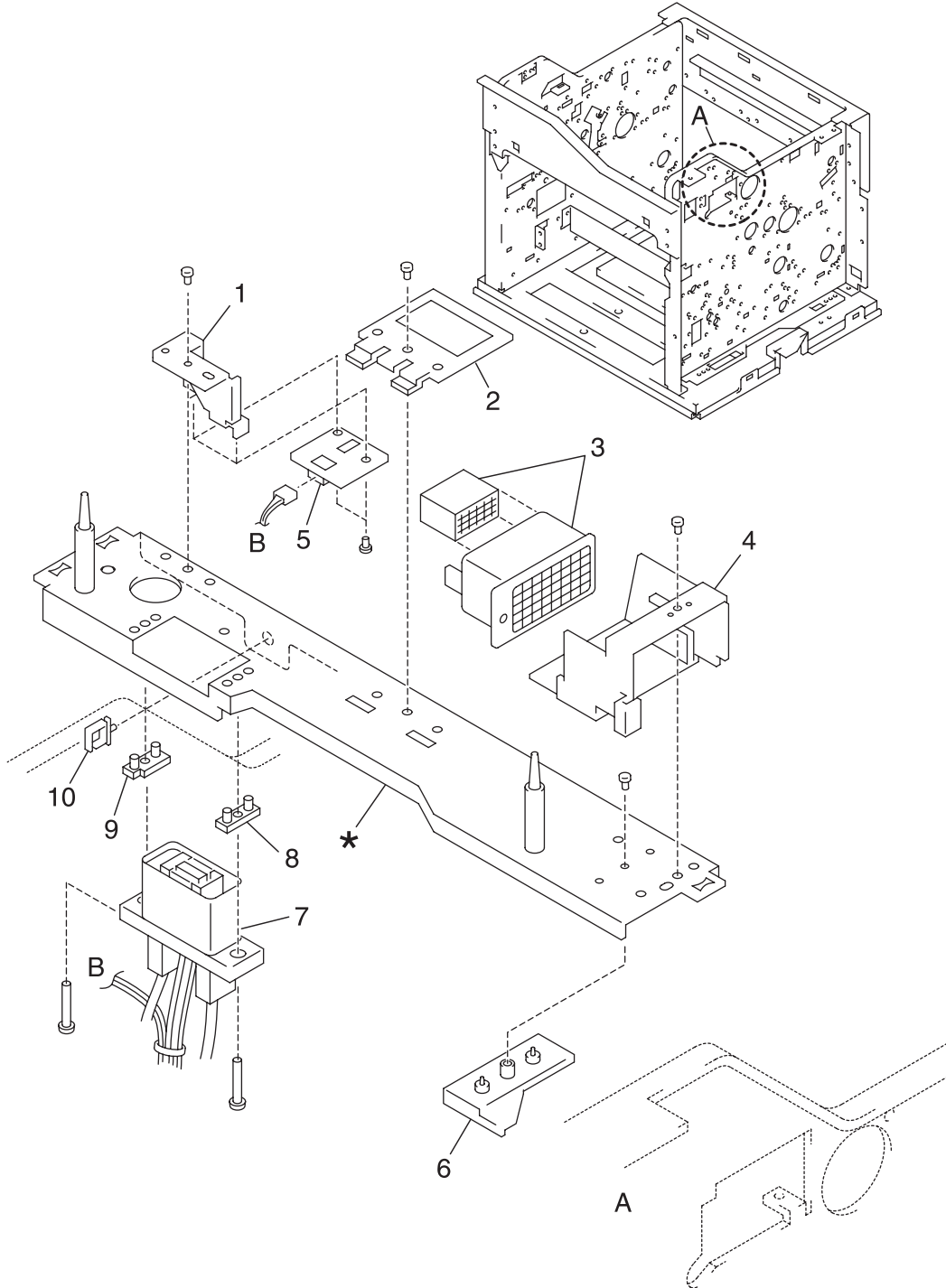


Note: Matching letters indicate corresponding assembly part locations.

Assembly 9:

Asm. Index	Part Number	Units	Description
9 - 1	12G1043	2	Pipe, Center
2	12G1040	1	Lens Asm.
3	12G1556	1	Seal, Color, Cyan
4	12G1066	1	Plate, Carriage Side, Right
5	12G1553	1	Seal, Color, Black
6	12G1495	4	Bushing, Carriage
7	12G1554	1	Seal, Color, Yellow
8	12G1555	1	Seal, Color, Magenta
9	12G1492	2	Bushing, Coupling Transmission
10	12G1311	2	Spring, Bushing
11	12G1162	2	Block, Carriage Center
12	12G1249	1	Shaft, Coupling Transmission
13	12G1099	4	Cover, Carriage Pressure
14	12G1031	4	Pin, Carriage Pressure
15	12G1307	4	Spring, Carriage Pressure
16	12G1547	1	Seal, Color, Magenta
17	12G1543	8	Tape, Carriage Protection
18	12G1546	1	Seal, Color, Cyan
19	12G1548	1	Seal, Color, Yellow
20	12G1065	1	Plate, Carriage Side, Left
21	12G1545	1	Seal, Color, Black
22	12G1488	1	Bushing, Carriage, Left

Assembly 10: Base Frame



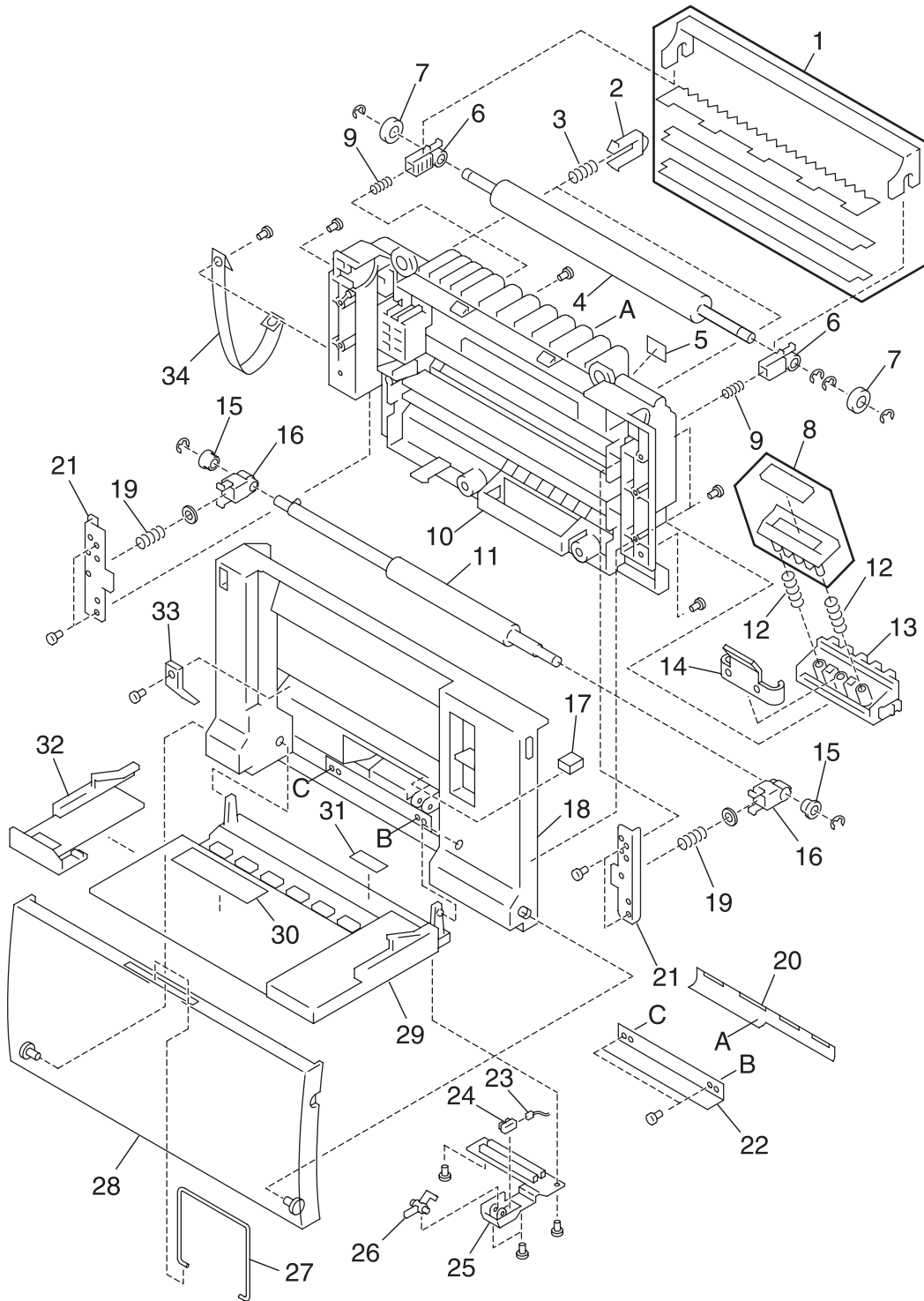
- Notes:
- The parts marked with * are not available.
 - Matching letters indicate corresponding assembly part locations.

5016-001

Assembly 10:

Asm. Index	Part Number	Units	Description
10 - 1	12G1175	1	Bracket, Sensor Mounting
2	12G1076	1	Plate, ADU Support, F
3	12G1638	1	Case, Ozone Filter
4	12G1077	1	Holder, Ozone Filter
5	12G1563	1	Sensor, Belt Home Position, PCB
6	12G1084	1	Holder, Ozone Filter, 2
7	12G1593	1	Cable, HTT
8	12G1028	2	Spacer, Connector, 1
9	12G1346	1	Spacer, Connector, 2
10	12G1676	1	Clamp, Cable
NS	12G1636	1	Stay, Belt Sensor

Assembly 11: Front Cover Assembly

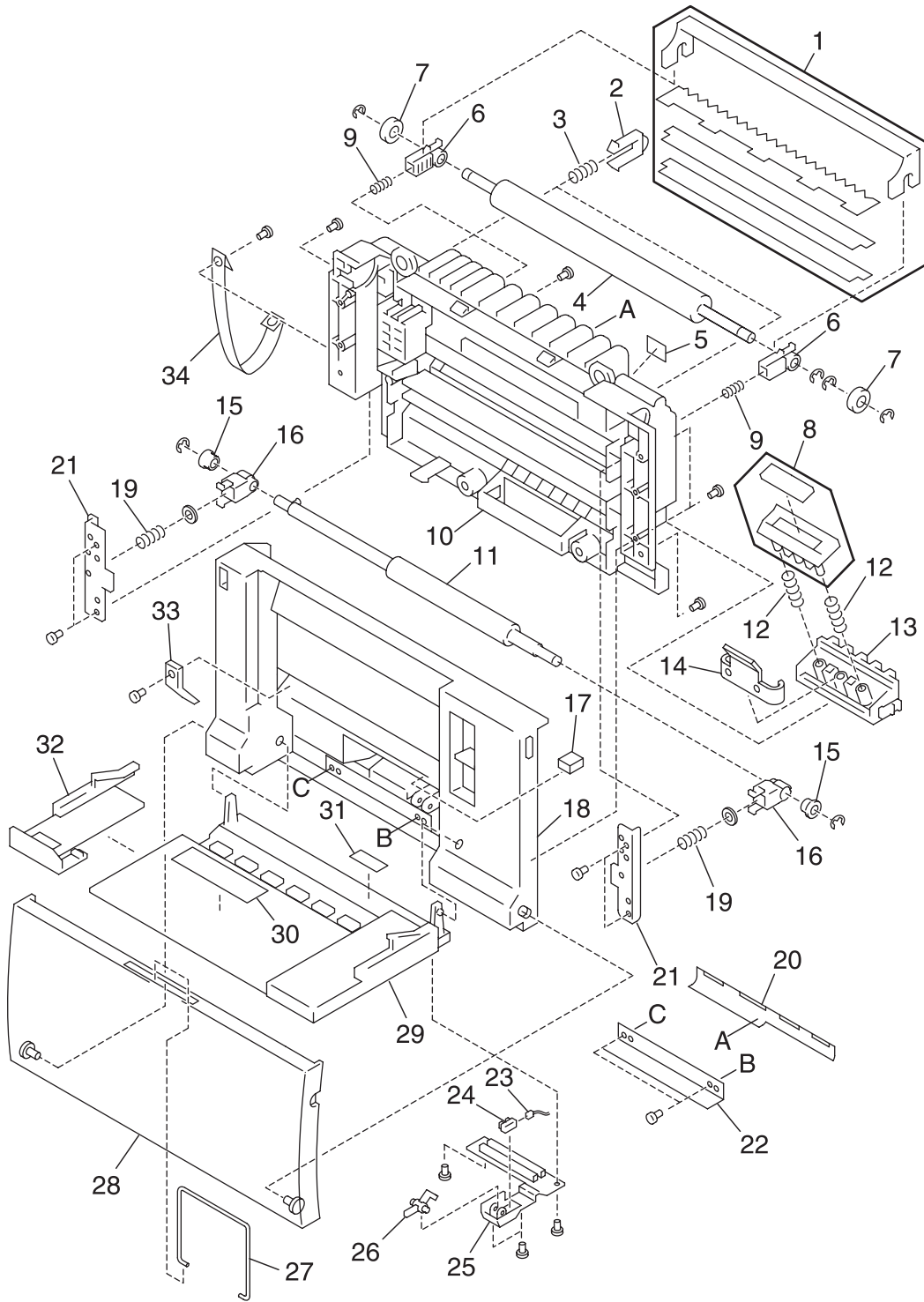


Note: Matching letters indicate corresponding assembly part locations.

Assembly 11:

Asm. Index	Part Number	Units	Description
11 - 1	12G1631	1	Needle Asm., Discharge
2	12G1054	2	Block, Mid Transfer Unit Pressure
3	12G1340	2	Spring, Pressure
4	12G1382	1	Roll, Transfer
5	12G1041	1	Plate, OHP Detecting Reflection
6	12G1485	2	Bushing, Transfer Roll
7	12G1384	2	Roller, Transfer Roll
8	12G1639	1	Pad Asm., DFP
9	12G1299	2	Spring, Transfer Pressure
10	12G1096	1	Cover, Rear
11	12G1383	1	Roll, Registration
12	12G1302	2	Spring, DFP Pressure
13	12G1118	1	Guide, Pad Holder
14	12G1358	1	Spring, Anti-vibration
15	12G1483	2	Bushing, Registration Roll
16	12G1060	2	Holder, Resist Bushing
17	12G1164	1	Pad, Front Cover
18	12G1500	1	Cover, Front
19	12G1301	2	Spring, Resist Pressure
20	12G1045	1	Sheet, Transfer Guide
21	12G1063	2	Plate, Resist Spring Pressure
22	12G1226	1	Plate, Anti-vibration
23	12G1581	1	Cable, HF
24	12G1664	1	Sensor, Registration
25	12G1116	1	Cover, Cable
26	12G1296	1	Flag, Registration Sensor
27	12G1531	1	Support, Legal
28	12G1536	1	Tray, Bypass 2
29	12G1535	1	Tray, Bypass, 1
30	12G1549	1	Label, Paper Size
31	12G1168	1	Pad, Tray Friction
32	12G1540	1	Guide, Paper
33	12G1117	1	Cover, Cable, 2

Assembly 11 (Cont.): Front Cover Assembly



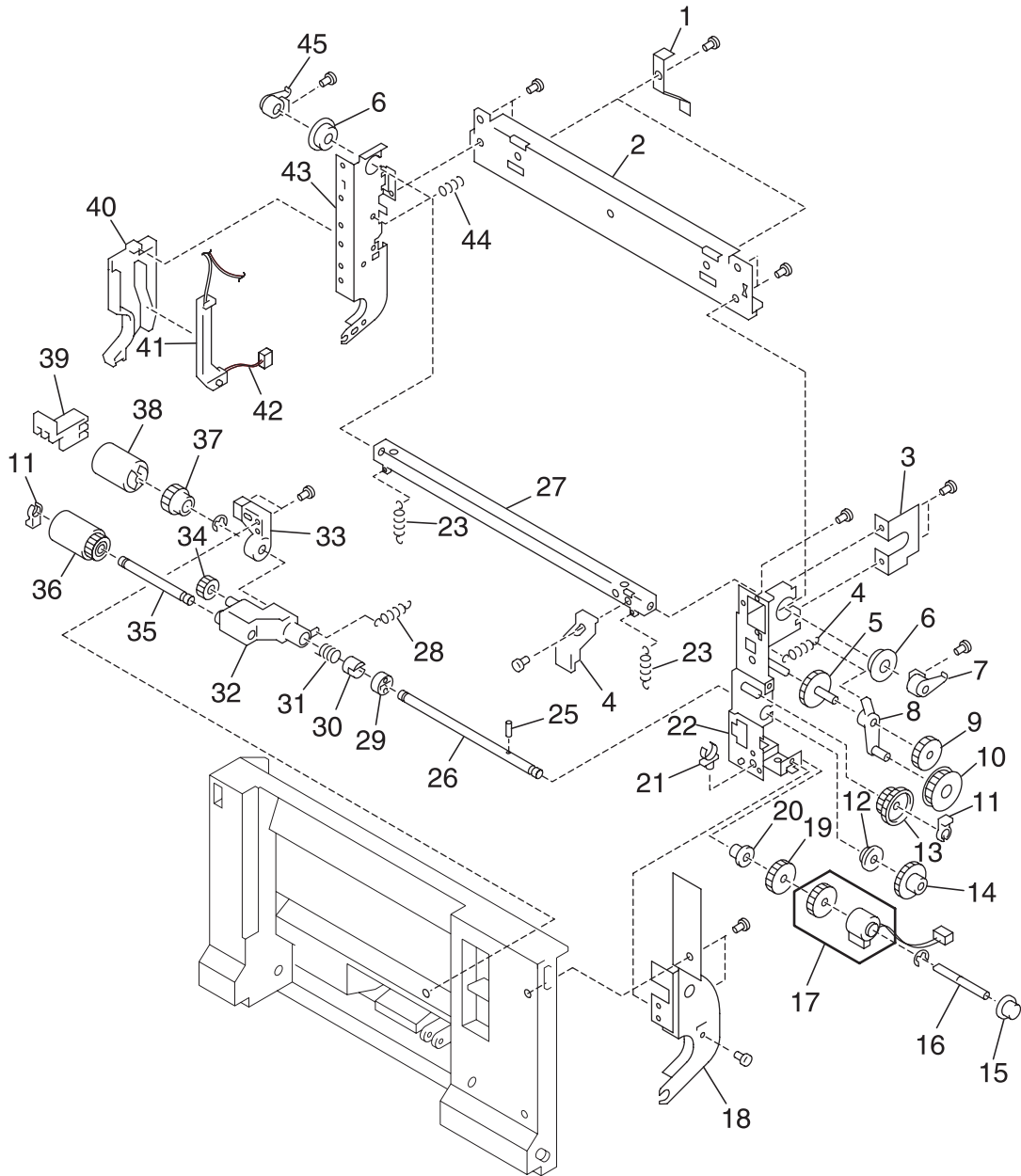
Note: Matching letters indicate corresponding assembly part locations.

5016-001

Assembly 11:

Asm. Index	Part Number	Units	Description
11 - 34	12G1157	1	Strap, Front Cover

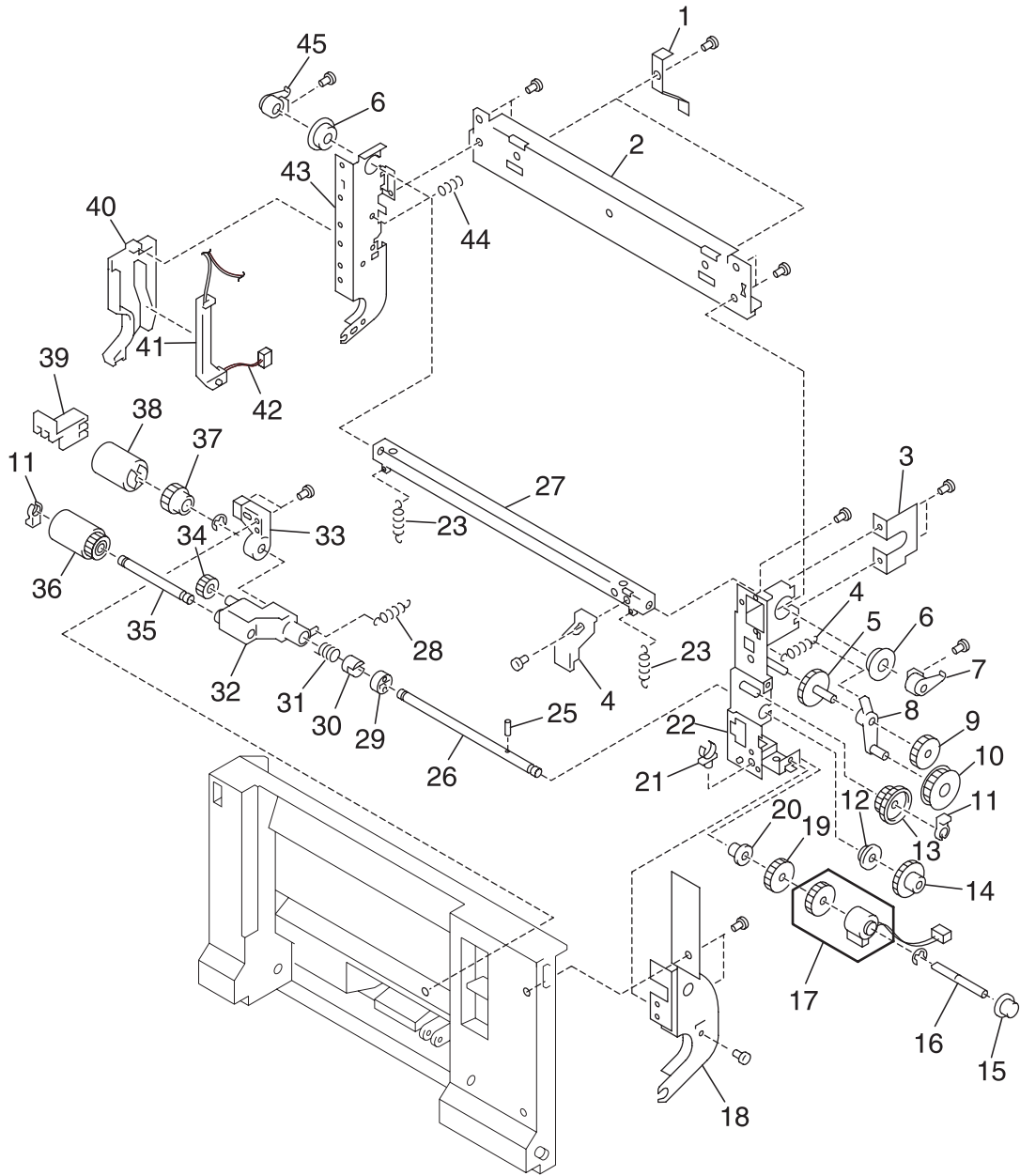
Assembly 12: Front Cover Assembly 2



Assembly 12:

Asm. Index	Part Number	Units	Description
12 - 1	12G1355	2	Spring, Ground
2	12G1062	1	Plate, Discharge Needle
3	12G1094	1	Plate, Latch Support
4	12G1303	1	Spring, Gear Pressure
5	12G1424	1	Gear, Fulcrum
6	12G1486	2	Bushing, Latch
7	12G1265	1	Latch, Right
8	12G1266	1	Arm
9	12G1423	1	Gear, Drive
10	12G1425	1	Gear
11	12G1036	3	Clip, Shaft Locking
12	12G1482	1	Bushing, Bypass Roller Shaft
13	12G1428	1	Gear, Paper Feed Idler
14	12G1427	1	Gear, Paper Feed Shaft
15	12G1497	1	Bushing, Clutch Shaft, Outer
16	12G1243	1	Shaft, Clutch
17	12G1674	1	Clutch, Magnet
18	12G1267	1	Arm, Fulcrum, Right
19	12G1426	1	Gear, Paper Feed Drive
20	12G1477	1	Bushing, Clutch Shaft, Inner
21	12G1669	1	Clamp, Cable
22	12G1630	1	Plate, Paper Feed Side, Right
23	12G1300	2	Spring, Return
24	12G1276	1	Lever, Latch
25	12G1689	1	Pin, Dowel, Bypass Roller Shaft
26	12G1241	1	Shaft, Bypass Roller
27	12G1200	1	Plate, Latch Shaft
28	12G1298	1	Spring, Pickup Return
29	12G1056	1	Lock, Pickup, Pressure
30	12G1373	1	Boss, Pickup Limiter
31	12G1365	1	Spring, Pickup Limiter
32	12G1059	1	Bracket, Pickup

Assembly 12 (Cont.): Front Cover Assembly 2

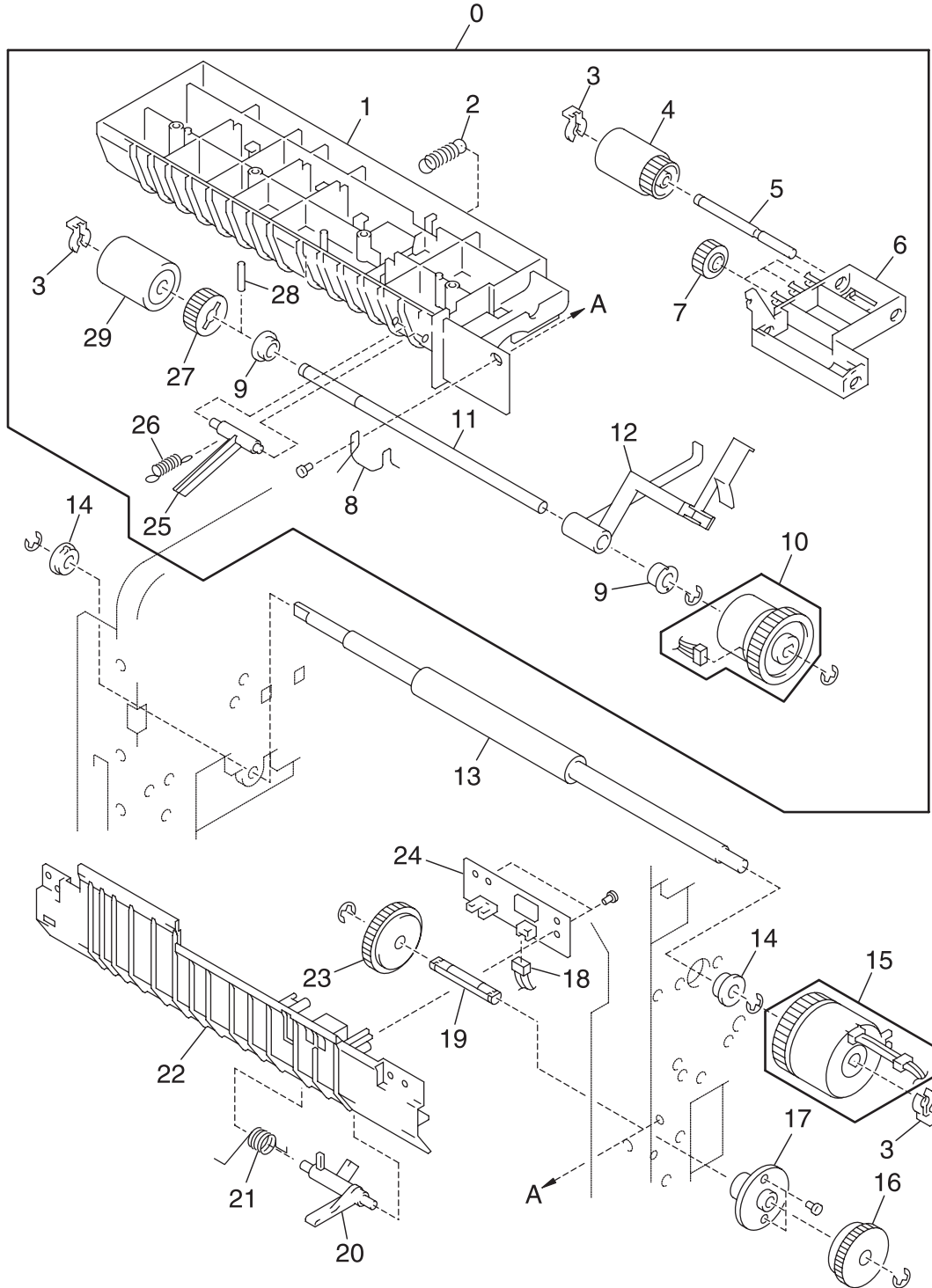


5016-001

Assembly 12 (cont.):

Asm. Index	Part Number	Units	Description
12 - 33	12G1487	1	Bushing, Bypass Roller
34	12G1419	1	Gear, Pickup Idle
35	12G1242	1	Shaft, Bypass Pickup Roller
36	12G1379	1	Roll, Pickup
37	12G1418	1	Gear, Paper Feed Roller
38	12G1378	1	Roll, Paper Feed
39	12G1154	1	Guide, Paper
40	12G1097	1	Cover, Cable
41	12G1061	1	Holder, Cable
42	12G1581	1	Cable, HF
43	12G1058	1	Cover, Side, Left
44	12G1342	1	Spring, Ground, 2
45	12G1264	1	Latch, Front Cover Release

Assembly 13: Feed Unit

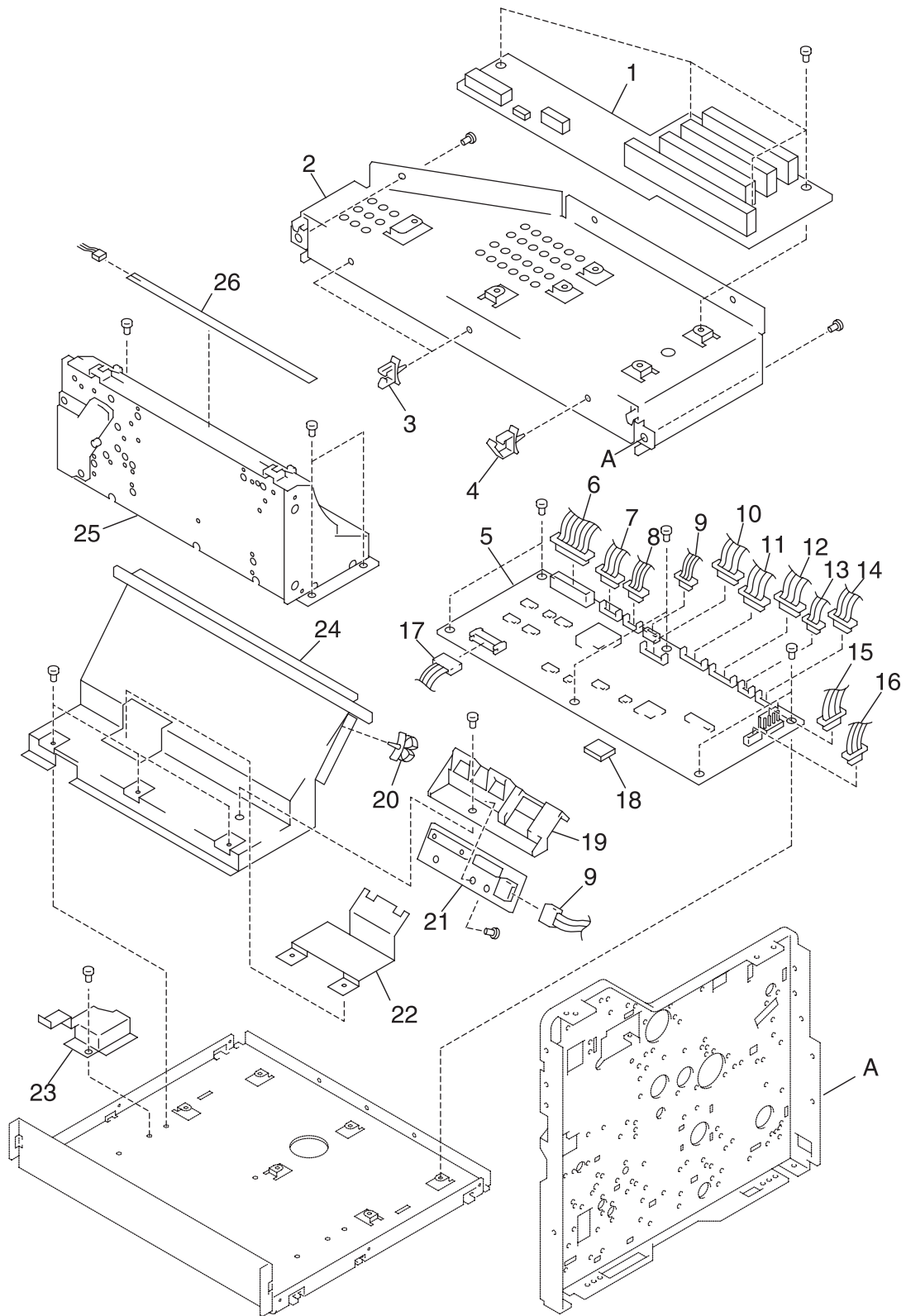


Note: Matching letters indicate corresponding assembly part locations.

Assembly 13:

Asm. Index	Part number	Units	Description
13 - 0	12G1632	1	Feed Assembly, Complete Unit
1	12G1064	1	Frame, Feed
2	12G1319	1	Spring, Pickup Pressure
3	12G1036	3	Clip, Shaft Locking
4	12G1379	1	Roller, Pickup
5	12G1245	1	Shaft, Pickup Roller
6	12G1171	1	Bracket, Pickup Roller
7	12G1419	3	Gear, Pickup Roller Idler
8	12G1362	1	Spring, Ground
9	12G1477	2	Bushing, Paper Feed Roll Shaft
10	12G1674	1	Clutch, Magnet
11	12G1244	1	Shaft, Paper Feed Roller
12	12G1277	1	Lever, Paper Detector Sensor
13	12G1385	1	Roll, Registration
14	12G1481	2	Bushing, Registration Roll Shaft
15	12G1675	1	Clutch, Magnet
16	12G1422	1	Gear, Gear B4
17	12G1491	2	Bushing, Paper Feed
18	12G1582	1	Cable, KU
19	12G1252	2	Shaft, Cassette Transmission
20	12G1279	1	Flag, Resist Sensor
21	12G1366	1	Spring, Resist Sensor Flag Return
22	12G1121	1	Guide, Paper A
23	12G1441	1	Gear, B1
24	12G1564	1	Sensor Asm., Resist Sensor Board
25	12G1278	1	Lever, Release
26	12G1304	1	Spring, Pickup Return
27	12G1429	1	Gear, Pickup
28	12G1690	1	Pin, Pickup Gear
29	12G1297	1	Roller, Paper Feed

Assembly 14: Laser Scanner Unit

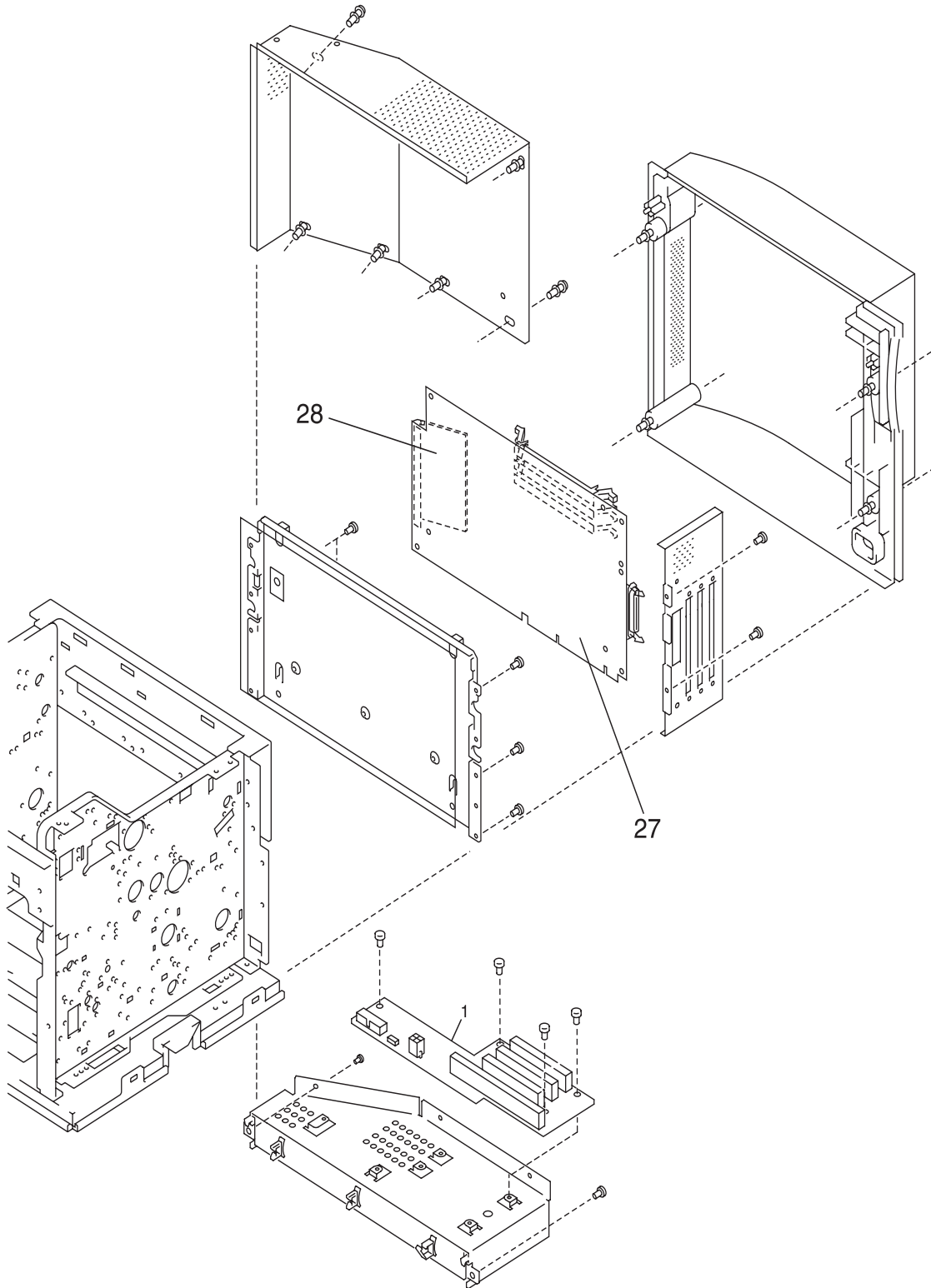


Note: Matching letters indicate corresponding assembly part locations.

Assembly 14:

Asm. Index	Part number	Units	Description
14 - 1	12G1703	1	Board, Interconnect
2	12G1177	1	Bracket, PCI Board
3	12G1679	2	Clamp, Cable
4	12G1680	1	Clamp, Cable
5	12G1562	1	Board Asm., Engine
6	12G1597	1	Cable, VINT
7	12G1594	1	Cable, MSN
8	12G1584	1	Cable, SN Laser
9	12G1578	1	Cable, TE
10	12G1587	1	Cable, OP
11	12G1585	1	Cable, HVPS
12	12G1586	1	Cable, MK 1
13	12G1583	1	Cable, CRF
14	12G1580	1	Cable, MK 2
15	12G1589	1	Cable, VH
16	12G1590	1	Cable, EVL
17	12G1592	1	Cable, Printhead
18	12G1000	1	Base, ANP
19	12G1103	1	Cover, Toner Level/New Cartridge Detection
20	12G1669	2	Clamp, Cable
21	12G1565	1	Sensor Asm., Toner Level/New Cartridge Detection
22	12G1228	1	Plate, Blind
23	12G1108	1	Cover, Harness
24	12G1204	1	Plate, EC PCB Shield
25	12G1042	1	Printhead Assembly
26	12G1568	1	LED, Discharge PCB

Assembly 14 (Cont.): Laser Scanner Unit

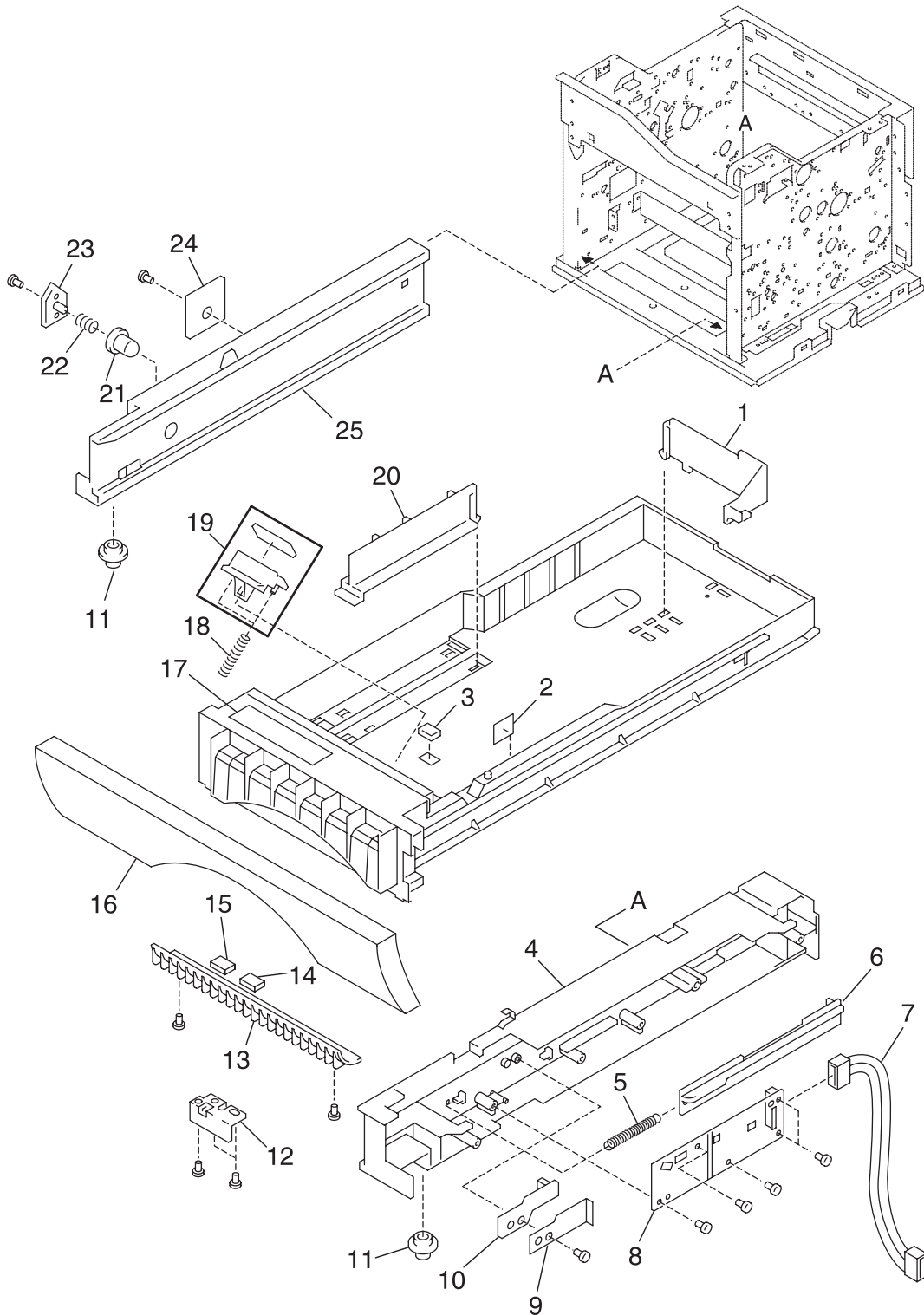


5016-001

Assembly 14 (cont.):

Asm. Index	Part number	Units	Description
14 - 27	12G1708	1	Board, Controller Level 2
28	12G1702	1	SIMM, Code Overlay

Assembly 15: Cassette

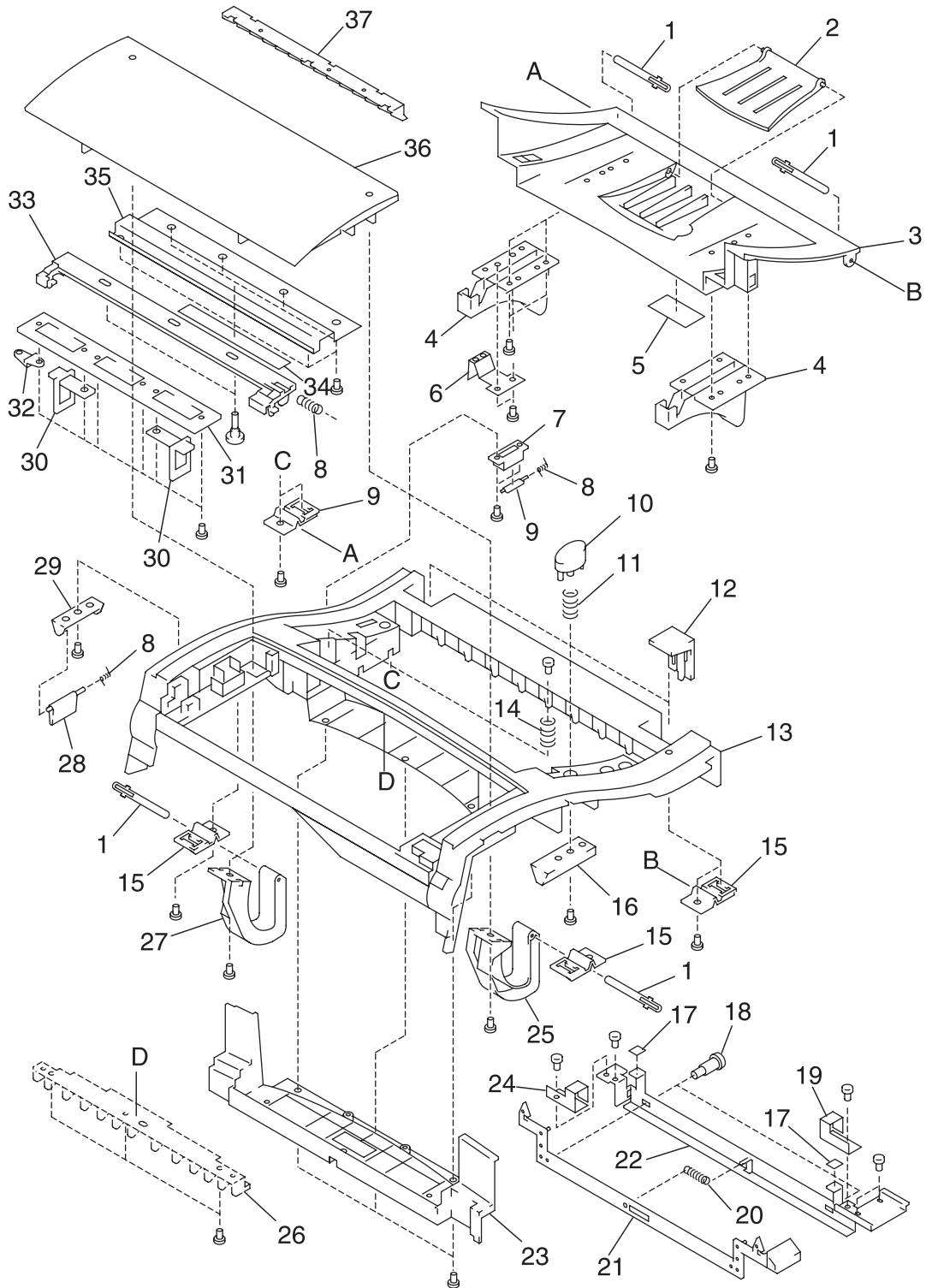


Note: Matching letters indicate corresponding assembly part locations.

Assembly 15:

Asm. Index	Part Number	Units	Description
15 - 1	12G1542	1	Guide, Paper, Rear
2	12G1544	1	Label, Paper Upper Limit
3	12G1168	1	Pad, Tray
4	12G1125	1	Guide, Cassette, Right
5	12G1306	1	Spring, Return
6	12G1159	1	Plate, Size Detecting
7	12G1579	1	Cable, CST
8	12G1567	1	Sensor, Cassette Size/Paper Detecting, PCB
9	12G1359	1	Spring, Support
10	12G1295	1	Lever, Cassette Detecting
11	12G1386	2	Roller, Guide
12	12G1224	1	Sheet, Anti-vibration
13	12G1119	1	Guide, Paper
14	12G1166	1	Sheet, Anti-vibration, 2
15	12G1165	1	Sheet, Anti-vibration, 1
16	12G1098	1	Cover, Cassette Front
17	12G1250	1	Label, Cassette Caution
18	12G1305	2	Spring, Pad Pressure
19	12G1641	1	Pad Asm., DFP
20	12G1541	1	Guide, Paper, Left
21	12G1137	1	Stop, Cassette
22	12G1323	1	Spring, Cassette Stop
23	12G1492	1	Bushing, Cassette Stop
24	12G1670	1	Sensor, Temperature/Humidity
25	12G1124	1	Guide, Cassette, Left

Assembly 16: Upper Covers

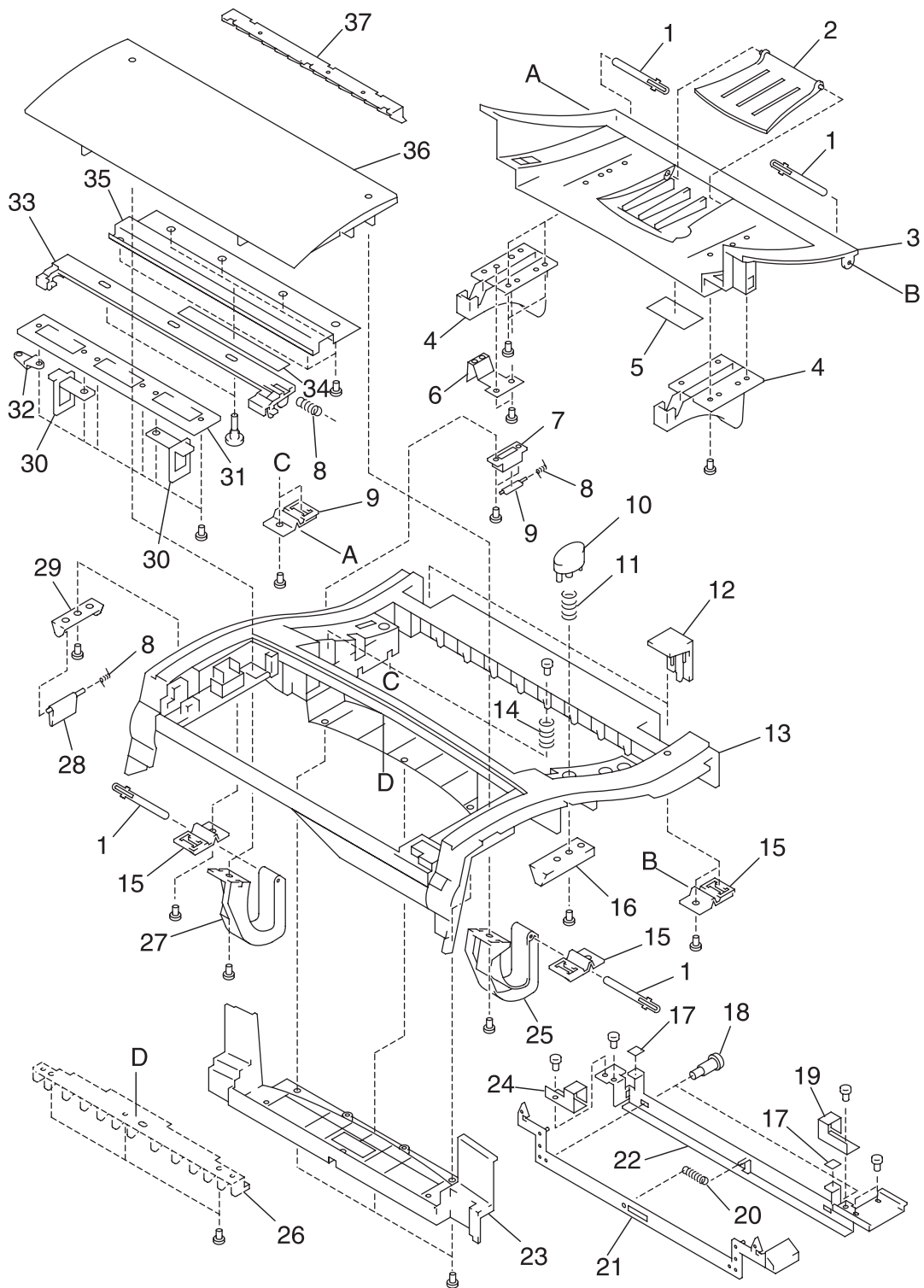


Note: Matching letters indicate corresponding assembly part locations.

Assembly 16:

Asm. Index	Part Number	Units	Description
16 - 1	12G1033	4	Pin, Cover
2	12G1537	1	Tray, Paper Exit
3	12G1502	1	Cover, Cartridge, A
4	12G1514	2	Cover, Cartridge, B
5	12G1551	1	Label, Cartridge Insertion
6	12G1227	1	Plate, Cartridge SW
7	12G1093	1	Holder, Switch Plate, Rear
8	12G1324	2	Spring, Switch Plate
9	12G1209	1	Plate, Switch, Rear
10	12G1239	1	Button, Cartridge
11	12G1317	1	Spring, Cartridge Button
12	12G1539	2	Cover, Hinge
13	12G1501	1	Cover, Top
14	12G1318	1	Spring, Cartridge Cover
15	12G1079	4	Hinge, Cover
16	12G1240	1	Button, Cartridge, Lower
17	12G1559	2	Label, ADU Support Cover
18	12G1026	2	Screw, Shoulder
19	12G1138	1	Guide, Lever, Right
20	12G1315	2	Spring, Return, 1
21	12G1284	1	Lever, Cartridge
22	12G1207	1	Plate, Cartridge Cover
23	12G1524	1	Cover, Top, Small
24	12G1139	1	Guide, Lever, Left
25	12G1281	1	Lever, Right
26	12G1160	1	Rib 1
27	12G1282	1	Lever, Left
28	12G1210	1	Plate, Switch, Front
29	12G1030	1	Holder, Switch Plate, Front
30	12G1163	1	Lib, Fuser Pressure
31	12G1233	1	Plate, Fuser Cover Support
32	12G1234	1	Plate, Fuser Latch Support, Left

Assembly 16 (Cont.): Upper Covers



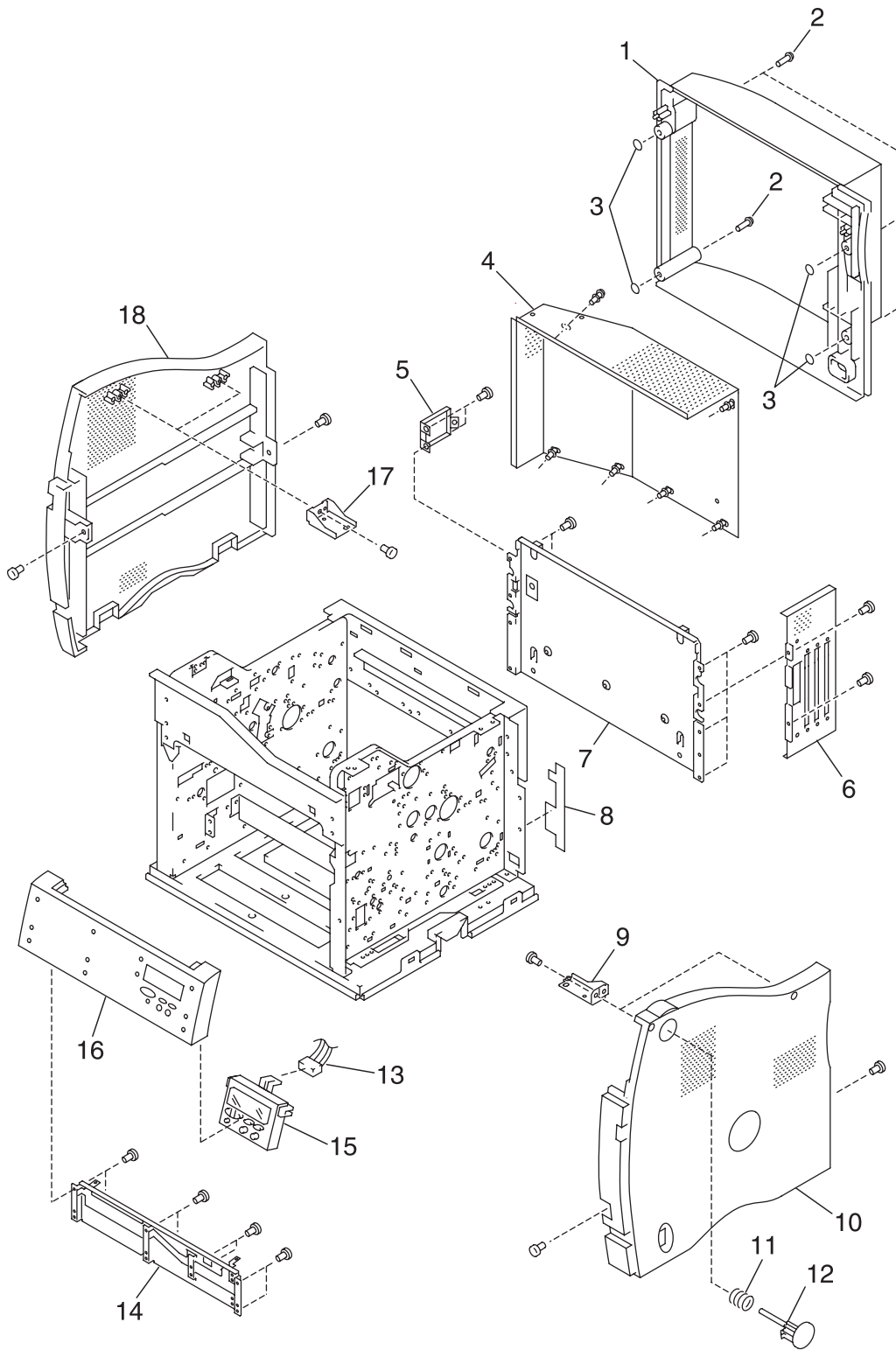
Note: Matching letters indicate corresponding assembly part locations.

5016-001

Assembly 16:

Asm. Index	Part Number	Units	Description
16 - 33	12G1283	1	Lever, Fuser Latch
34	12G1560	1	Label, Fuser Unit Operation
35	12G1235	1	Support, Fuser Cover
36	12G1503	1	Cover, Fuser
37	12G1161	1	Rib, 2

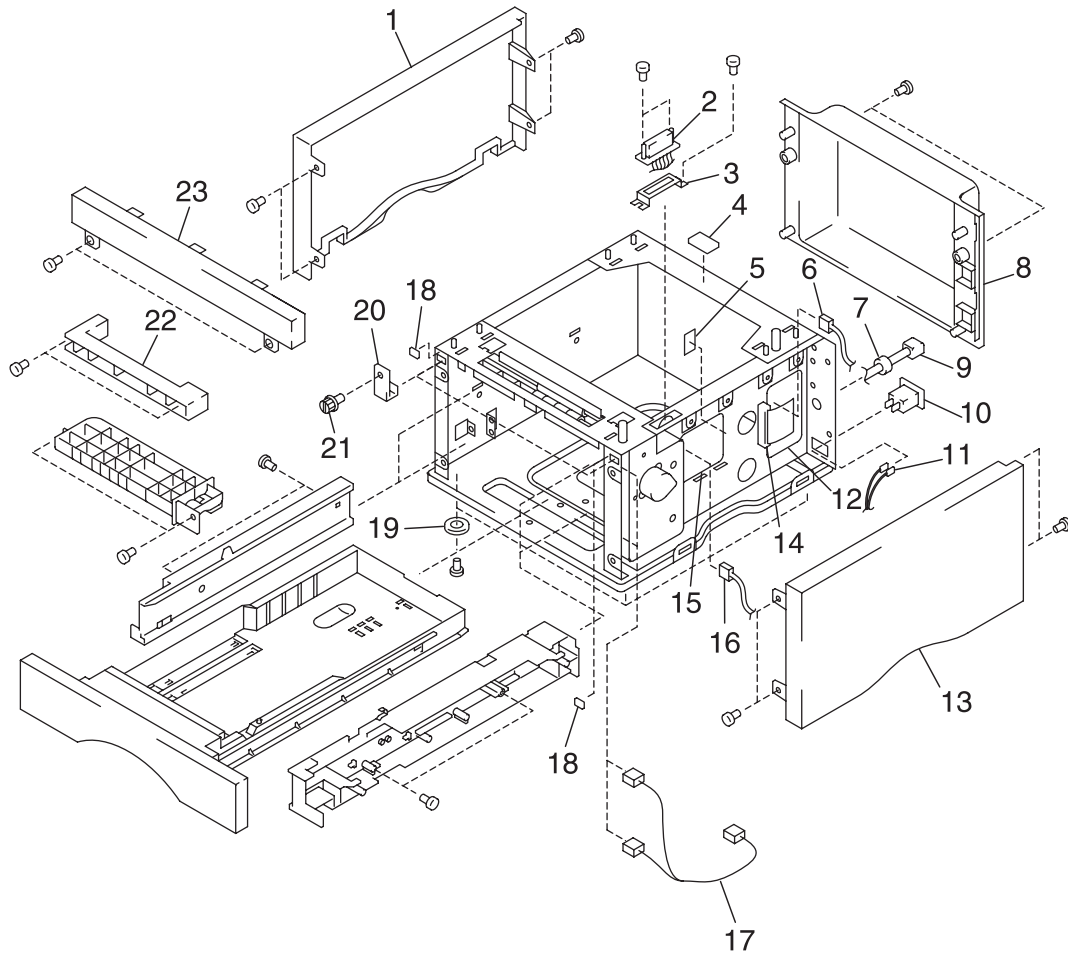
Assembly 17: Covers



Assembly 17:

Asm. Index	Part Number	Units	Description
17 - 1	12G1513	1	Cover, Rear
2	12G1029	4	Screw, Shoulder
3	12G1038	4	Ring, C, Rear Cover
4	12G1640	1	Shield Asm., SC PCB
5	12G1187	1	Bracket, Main Fan Motor
6	12G1205	1	Plate, SC PCB Shield, 1
7	12G1206	1	Plate, SC PCB Shield, 2
8	12G1557	1	Cover, Label, Welder
9	12G1186	2	Plate, Cover Mounting, Right
10	12G1512	1	Cover, Side, Right
11	12G1316	1	Spring, Return, 2
12	12G1238	1	Button, Side
13	12G1596	1	Cable, Operator Panel
14	12G1078	1	Plate, Operator Panel Support
15	12G1561	1	Operator Panel Assembly
16	12G1523	1	Panel, Operator
17	12G1183	2	Plate, Cover Mounting, Left
18	12G1511	1	Cover, Side, Left

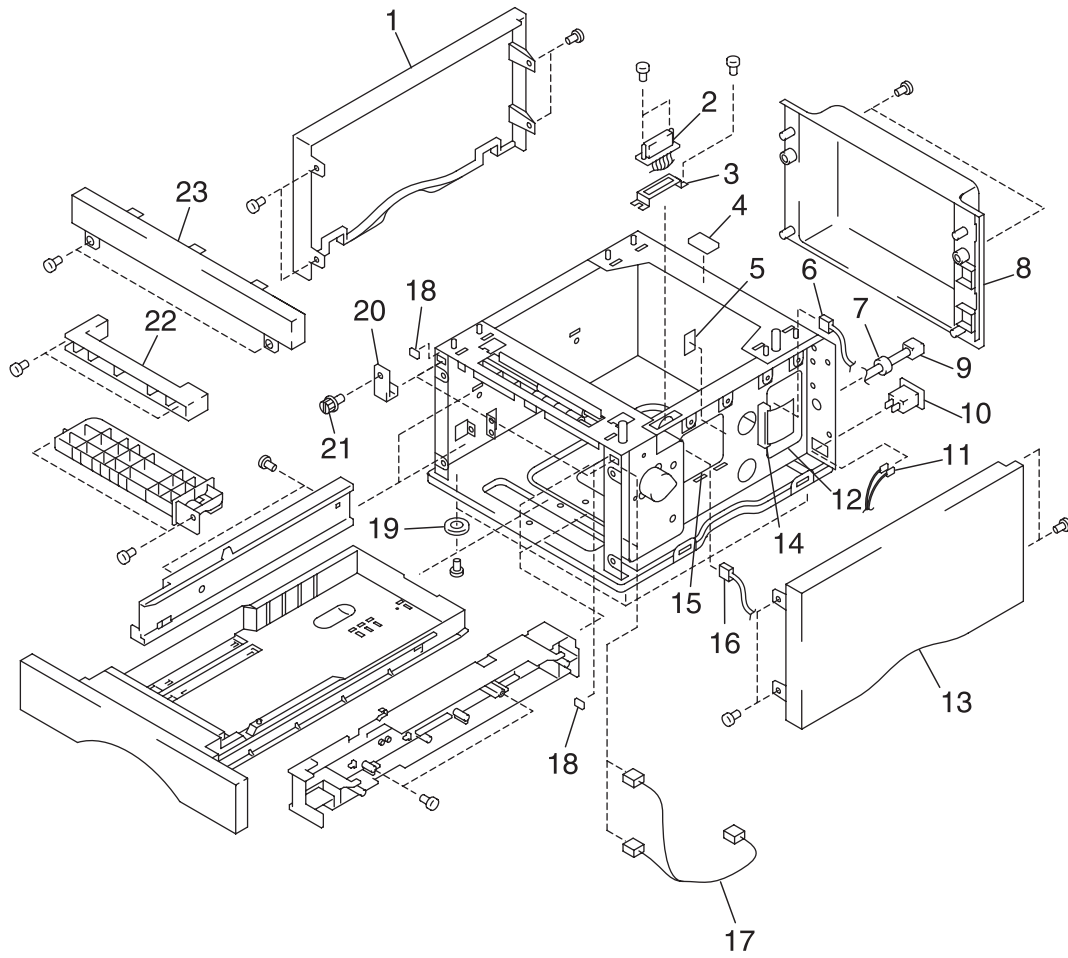
Assembly 18: Covers / Frame 250 Tray Option



Assembly 18:

Asm. Index	Part Number	Units	Description
18 - 1	12G1508	1	Cover, Left
2	12G1601	1	Cable, OP
3	12G1185	1	Bracket, Connector Mounting
4	12G1053	1	Pad, Ground, B
5	12G1044	1	Sheet, Duck, 1
6	12G1602	1	Cable, OV
7	12G1687	1	Bushing, Cord
8	12G1509	1	Cover, Rear (Japan, North America)
8	12G1510	1	Cover, Rear (Europe)
9	1339517	1	Power Cord, LV U.S., Canada, Nicaragua, Venezuela, Peru, Bolivia, Columbia, Costa Rica, Ecuador, EL Salvador, Guatemala, Honduras, Mexico, Panama, APG
9	1339518	1	Power Cord, HV, Argentina
9	1339520	1	Power Cord, HV, Brazil
9	1339524	1	Power Cord, HV, Chili
9	1339528	1	Power Cord, HV, UK, Ireland
9	1339529	1	Power Cord, HV, EURO English, France, Spain, Germany, Austria, Netherlands, Norway, Finland, Greece, Sweden, Portugal, Turkey, Belgium, Russia, Poland, Slovakia/ Czech/Hungary
9	1339530	1	Power Cord, HV, Israel
9	1339531	1	Power Cord, HV, Switzerland French, Switzerland German, Switzerland Italian
9	1339532	1	Power Cord, HV, South Africa
9	1339533	1	Power Cord, HV, Italy
9	1339534	1	Power Cord, HV, Denmark

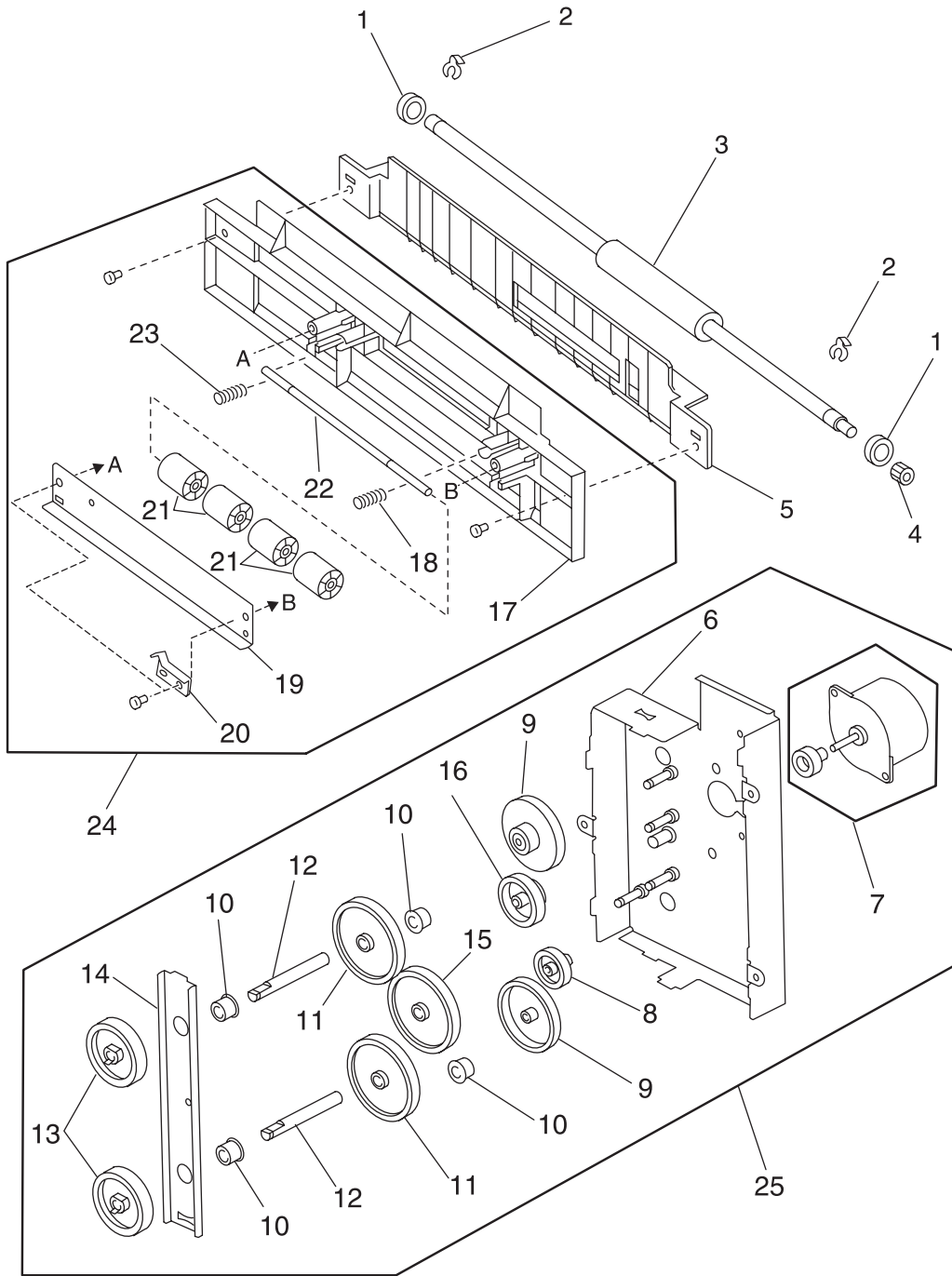
Assembly 18 (Cont.): Covers/Frame 250 Option



Assembly 18 (cont.):

Asm. Index	Part Number	Units	Description
18 - 10	12G1673	1	Socket, AC, Cord
11	12G1604	1	Cable, OAC
12	12G1574	1	LVPS, Paper Tray Option
13	12G1506	1	Cover, Right (Japan, North America)
13	12G1507	1	Cover, Right (Europe)
14	12G1106	1	Cover, LVPS
15	12G1569	1	Board Asm., Option Interconnect
16	12G1599	1	Cable, OM
17	12G1600	1	Cable, OC
18	12G1052	2	Pad, Ground, A
19	12G1532	4	Foot, Paper Cassette Asm.
20	12G1208	2	Plate, Fixing
21	12G1023	2	Screw, Fixing
22	12G1136	1	Guide, Paper, 5
23	12G1505	1	Cover, Front, 1

Assembly 19: Middle Roll Unit 250 Tray Option

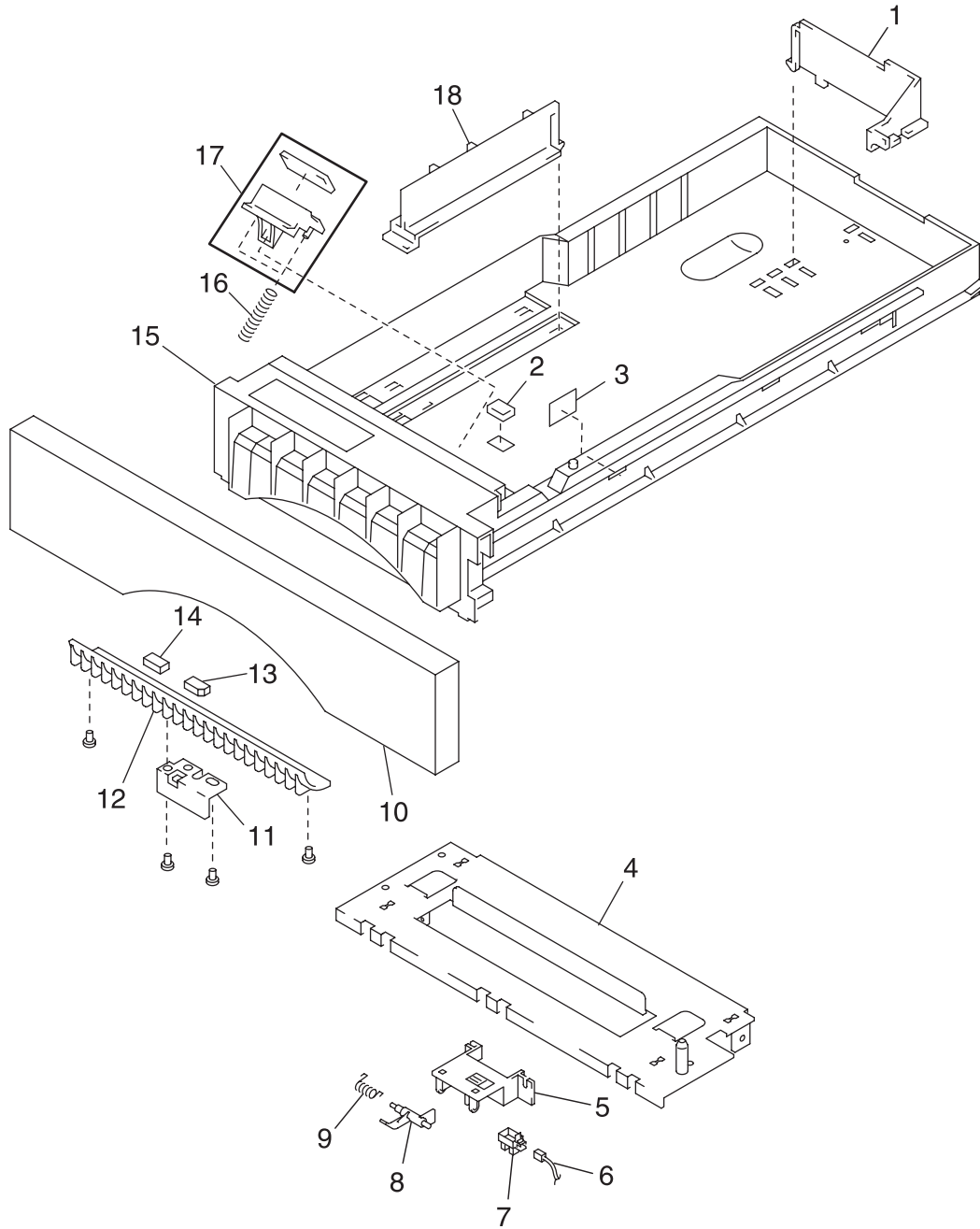


Note: Matching letters indicate corresponding assembly part locations.

Assembly 19:

Asm. Index	Part Number	Units	Description
19 - 1	12G1480	2	Bearing, Middle Roller 1 Shaft
2	12G1037	2	Clip, Retainer, Middle Roller 1 Shaft
3	12G1390	1	Roller, Middle, 1
4	12G1446	1	Gear, Middle Roller Drive
5	12G1134	1	Guide, Paper, 1
6	12G1659	1	Plate Asm., Paper Feed Drive
7	12G1658	1	Motor Asm., Paper Feed
8	12G1450	1	Gear, Idler
9	12G1448	2	Gear, Reduction, Big
10	12G1483	4	Bushing, Paper Drive Gear Shaft
11	12G1447	2	Gear, Paper Feed Drive
12	12G1254	2	Shaft, Paper Feed Drive Gear
13	12G1421	2	Gear, Drive Shaft 2
14	12G1080	1	Plate, Pressure
15	12G1465	1	Gear, Idle, 2
16	12G1449	1	Gear, Reduction, Small
17	12G1135	1	Guide, Paper, 4
18	12G1320	1	Spring, Roller Pressure
19	12G1081	1	Plate, Pressure
20	12G1360	1	Spring, Ground
21	12G1391	4	Roller, Middle, 2
22	12G1255	1	Shaft, Middle Shaft
23	12G1341	1	Spring, Roller Pressure
24	12G1126	1	Roller Asm., Middle
25	12G1127	1	Drive Asm., Paper Feed
NS	12G1693	2	Pin, Dowel, Paper Feed Drive Gear Shaft

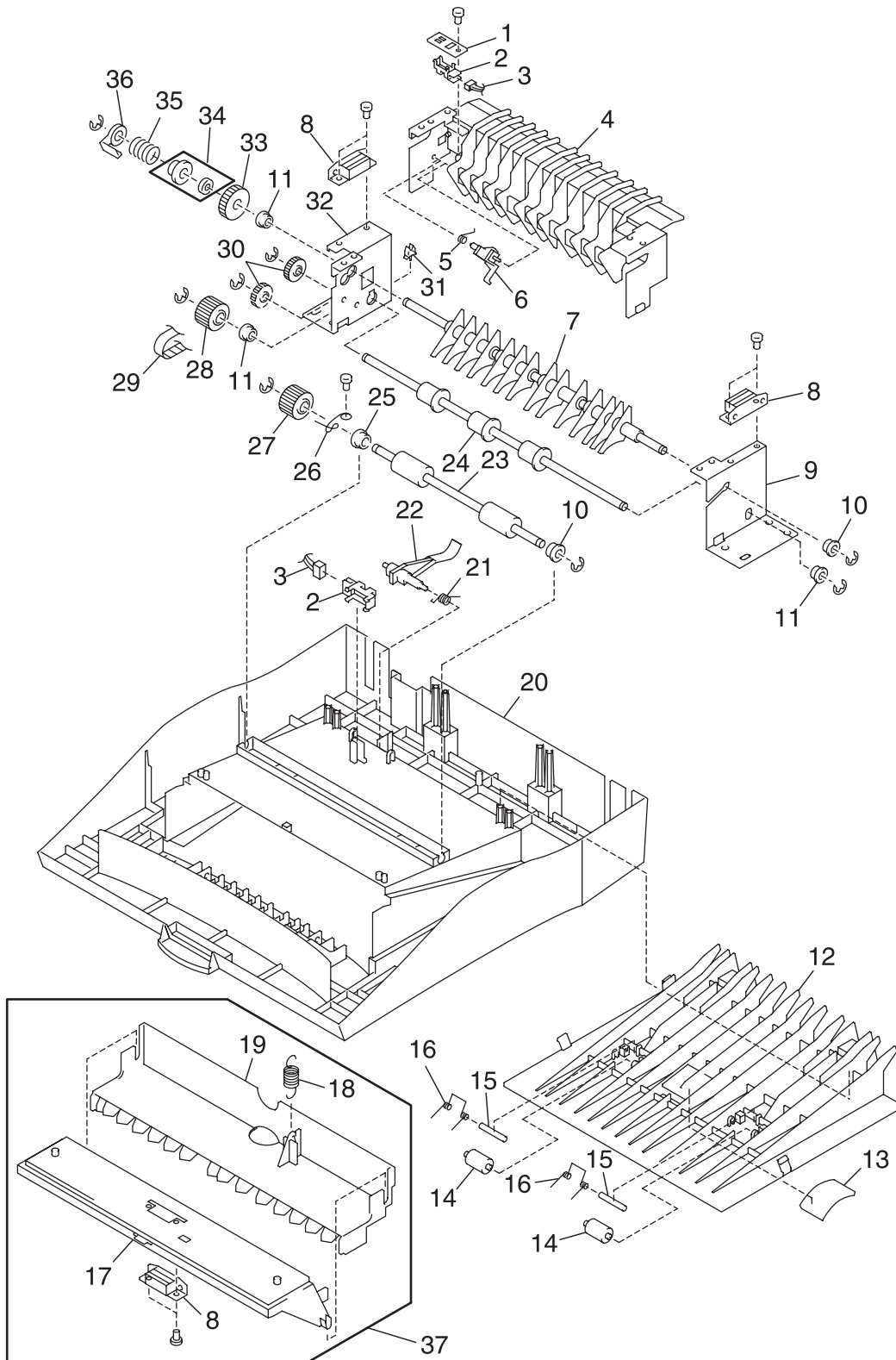
Assembly 20: 250/250 Tray Option Lower Unit



Assembly 20:

Asm. Index	Part Number	Units	Description
20 - 1	12G1542	1	Guide, Paper, Right
2	12G1168	1	Pad, Tray
3	12G1544	1	Label, Paper Upper Limit
4	12G1660	1	Stay
5	12G1184	1	Bracket, Paper Pass Sensor
6	12G1603	1	Cable, OPS
7	12G1664	1	Sensor, Paper Pass
8	12G1289	1	Flag, Paper Pass Sensor
9	12G1364	1	Spring, Paper Pass Sensor Flag
10	12G1504	1	Panel, Cassette
11	12G1224	1	Plate, Anti-vibration
12	12G1119	2	Guide, Paper
13	12G1165	1	Sheet, Anti-vibration, 1
14	12G1166	1	Sheet, Anti-vibration, 2
15	12G1071	1	Label, Cassette, Caution
16	12G1305	2	Spring, DFP
17	12G1641	1	Pad Asm., DFP
18	12G1541	1	Guide, Paper, Left

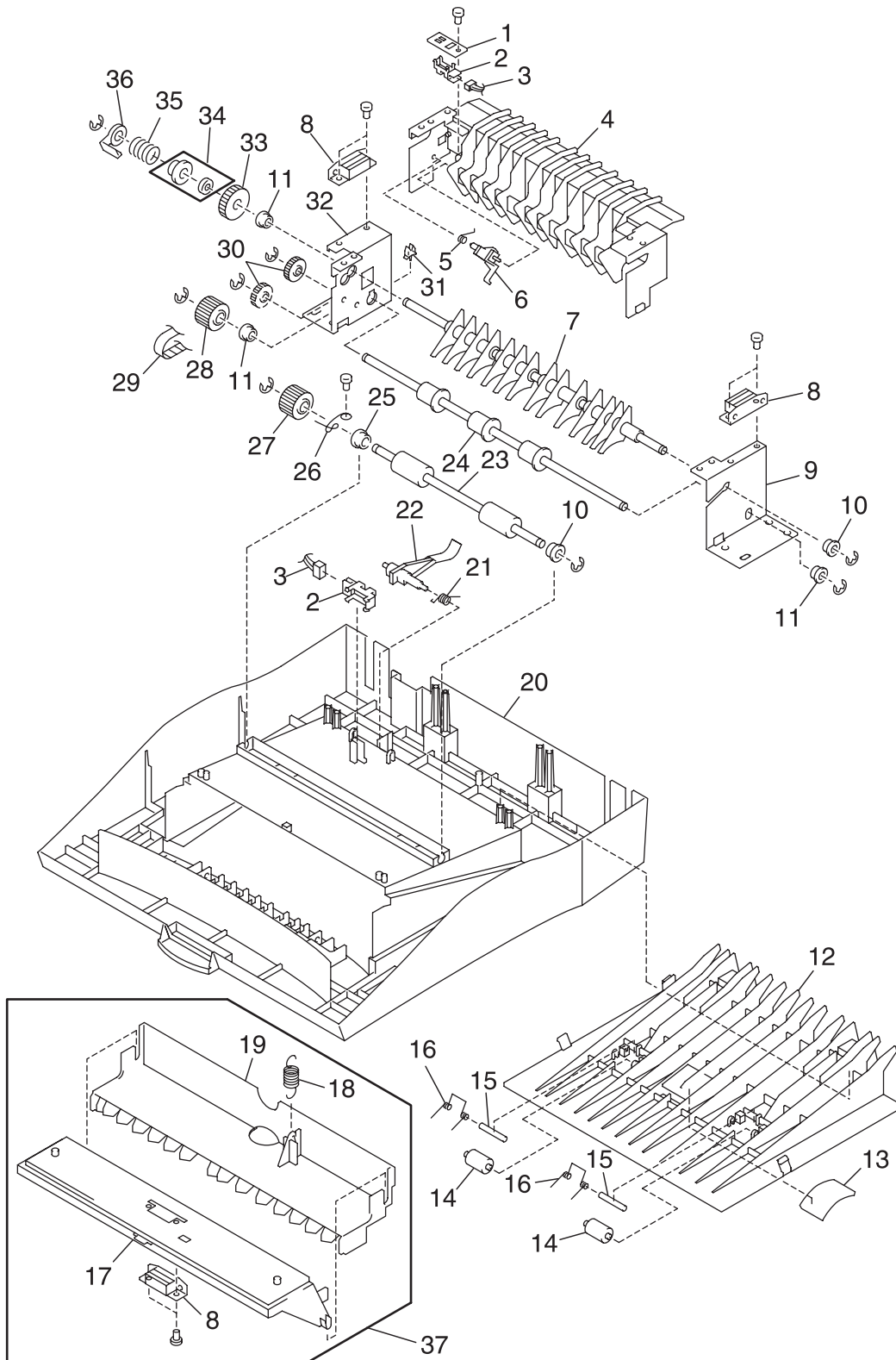
Assembly 21: Duplex Unit Option 2



Assembly 21:

Asm. Index	Part number	Units	Description
21 - 1	12G1188	1	Bracket, Sensor, 1
2	12G1664	1	Sensor, Exit or Pass Thru Sensors
3	12G1610	1	Cable, ADT
4	12G1141	1	Guide, Paper Exit/Storage
5	12G1368	1	Spring, Exit Sensor
6	12G1290	1	Flag, Exit Sensor
7	12G1271	1	Guide, Paper Exit/Storage Selection
8	12G1526	3	Magnet, Duplex
9	12G1087	1	Plate, Paper Exit, 2
10	12G1477	2	Bushing, Paper Exit/Storage Selection Guide
11	12G1483	3	Bushing, Paper Exit Roller Asm.
12	12G1538	1	Tray, Paper Exit
13	12G1525	1	Cover, Blind
14	12G1394	2	Roller, Pinch
15	12G1034	2	Pin, Pinch Roller
16	12G1369	2	Spring, Pinch Roller
17	12G1144	1	Guide, Paper, Lower (for Printer)
18	12G1328	1	Spring, Pressure (for Printer)
19	12G1143	1	Guide, Paper, Upper (for Printer)
20	12G1517	1	Cover, Upper
21	12G1367	1	Spring, Pass Thru Sensor
22	12G1291	1	Flag, Pass Thru Sensor
23	12G1393	1	Roller, Transport
24	12G1392	1	Roller, Paper Exit
25	12G1478	1	Bushing, Transport Roller Asm.
26	12G1338	1	Spring, Transport Shaft Ground
27	12G1454	1	Gear, Transport Roller
28	12G1453	1	Gear, Paper Exit Drive
29	12G1470	1	Belt, Timing, (40S2M300)
30	12G1455	2	Gear, 18T
31	12G1668	1	Clamp, Cable
32	12G1643	1	Plate Asm., Paper Exit

Assembly 21 (Cont.): Duplex Unit Option 2

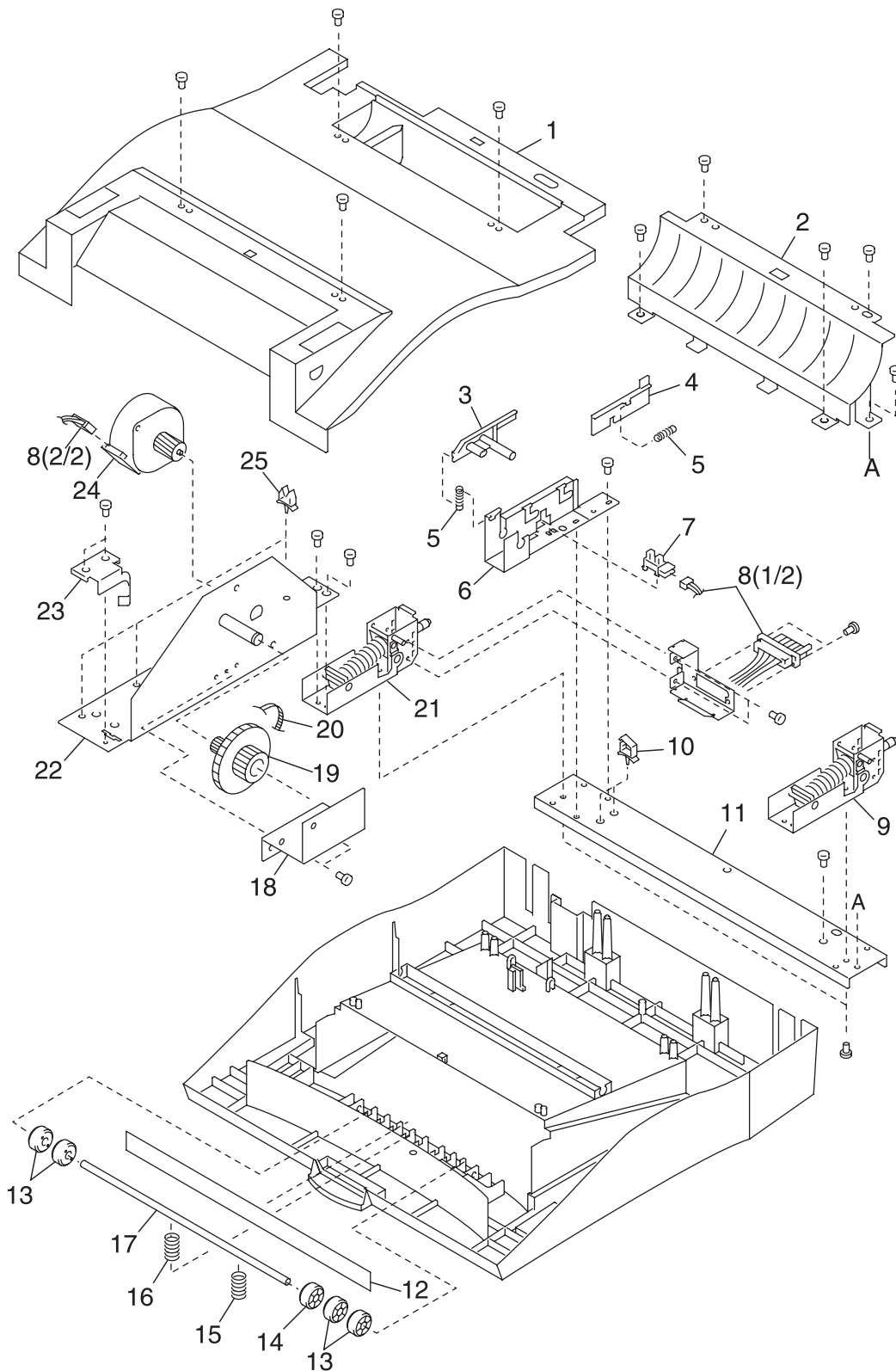


5016-001

Assembly 21:

Asm. Index	Part number	Units	Description
21 - 33	12G1452	1	Gear, 27Z
34	12G1657	1	Disc Asm., Limiter
35	12G1325	1	Spring, Limiter
36	12G1212	1	Holder, Limiter Spring
37	12G1017	1	Guide Asm., Paper (for Printer)

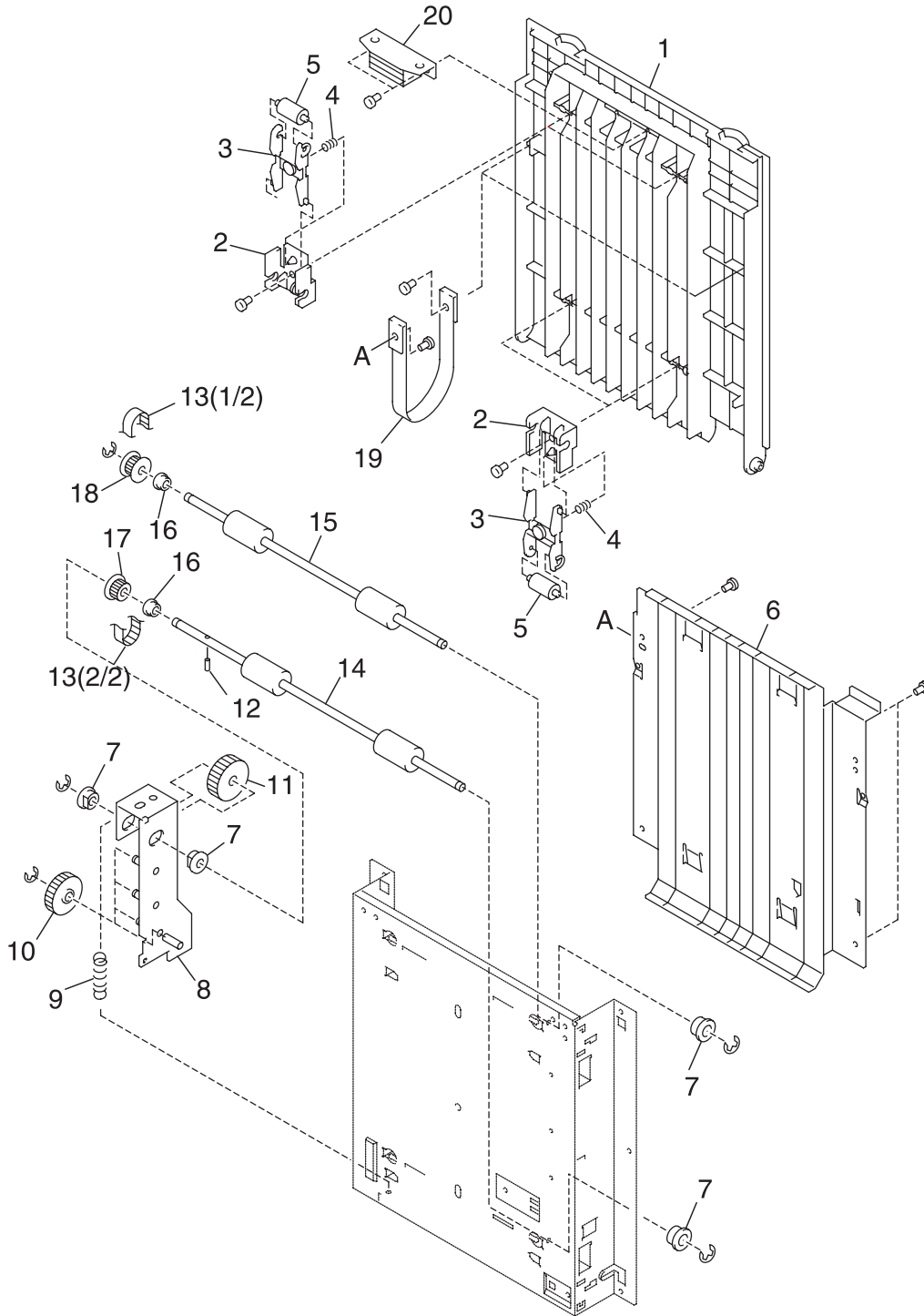
Assembly 22: Cassette Upper Section



Assembly 22:

Asm. Index	Part number	Units	Description
22 - 1	12G1142	1	Guide, Paper Exit
2	12G1140	1	Guide, Upper
3	12G1330	1	Flag, Open/Close Sensor
4	12G1272	1	Actuator, Open/Close Sensor
5	12G1326	1	Spring, Actuator, Open/Close Sensor
6	12G1189	1	Bracket, Open/Close Sensor
7	12G1664	1	Sensor, Open/Close
8	12G1610	1	Cable, ADT
9	12G1528	1	Hinge Asm., Left
10	12G1671	2	Clamp, Cable
11	12G1086	1	Plate, Hinge Mounting
12	12G1015	1	Brush, Discharge
13	12G1380	4	Roller, Pinch
14	12G1377	1	Roller Guide
15	12G1337	1	Spring, Pinch Roller, 2
16	12G1327	1	Spring, Pinch Roller, Right
17	12G1257	1	Shaft, Paper Exit Idle, Right
18	12G1211	1	Plate, Gear
19	12G1376	1	Gear, (50/23Z)
20	12G1470	1	Belt, Timing, (40S2M300)
21	12G1527	1	Hinge Asm., Right
22	12G1642	1	Plate Asm., Gear
23	12G1356	1	Spring, Ground
24	12G1653	1	Motor Assembly
25	12G1668	3	Clamp, Cable

Assembly 23: Cassette Rear Section 1

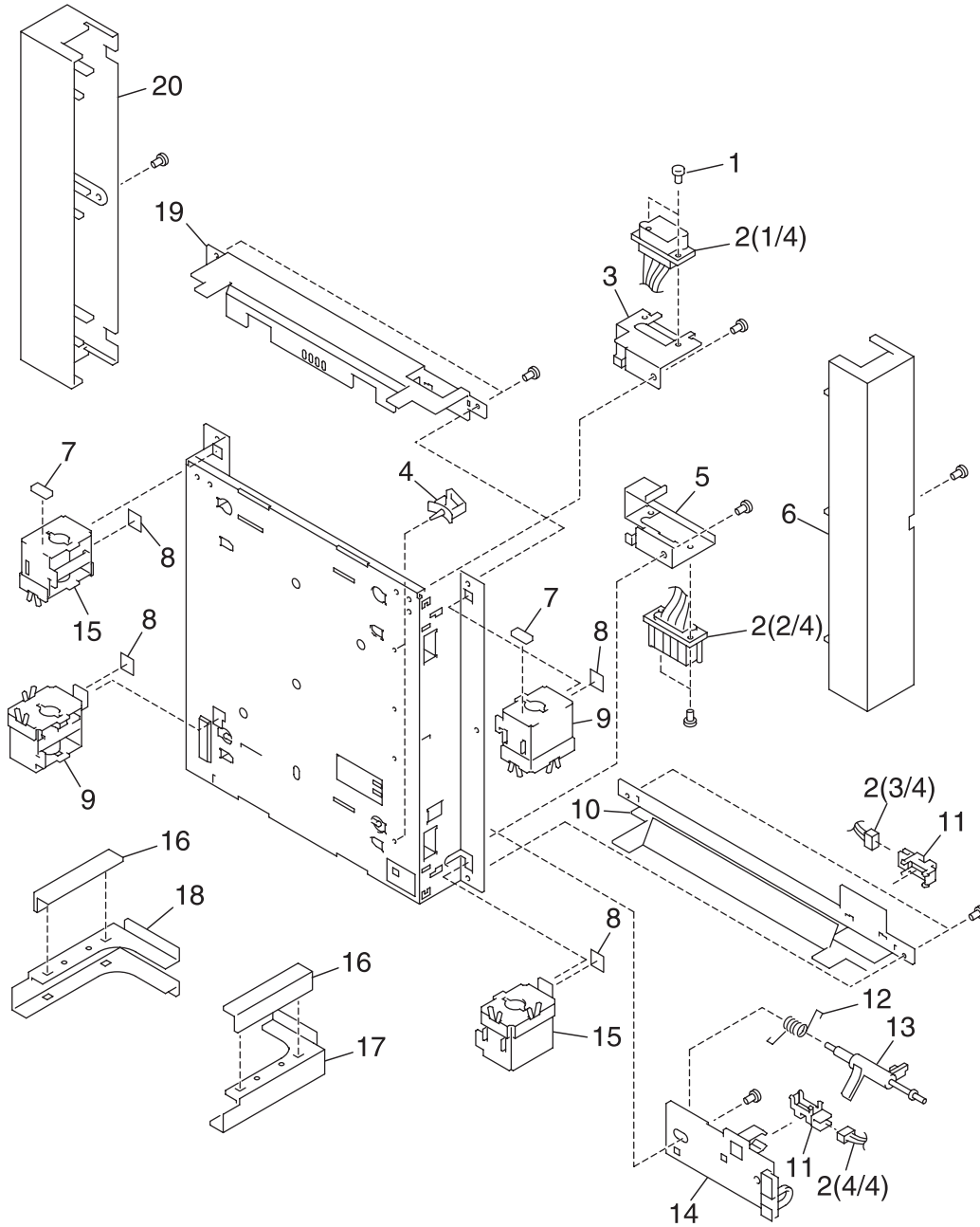


Note: Matching letters indicate corresponding assembly part locations.

Assembly 23:

Asm. Index	Part number	Units	Description
23 - 1	12G1518	1	Cover, Rear
2	12G1088	4	Holder, Pinch Roller
3	12G1273	4	Arm, Pinch Roller
4	12G1329	4	Spring, Pinch Roller
5	12G1394	4	Roller, Pinch
6	12G1145	1	Plate, Paper Guide
7	12G1496	4	Bushing
8	12G1646	1	Arm Asm., Gear
9	12G1331	1	Spring, Pressure
10	12G1455	4	Gear, (18)
11	12G1459	1	Gear, (18Z)
12	12G1688	1	Pin, Dowel, Lower Transfer Roller Asm.
13	12G1471	1	Belt, Timing, (40S2M560)
14	12G1396	1	Roller Asm., Transfer, Lower
15	12G1395	1	Roller, Transfer, Upper
16	12G1483	2	Bushing, Transfer Roller Asm., Upper
17	12G1409	1	Pulley, (20T)
18	12G1406	1	Pulley
19	12G1157	2	Belt, Rear Cover
20	12G1526	1	Magnet

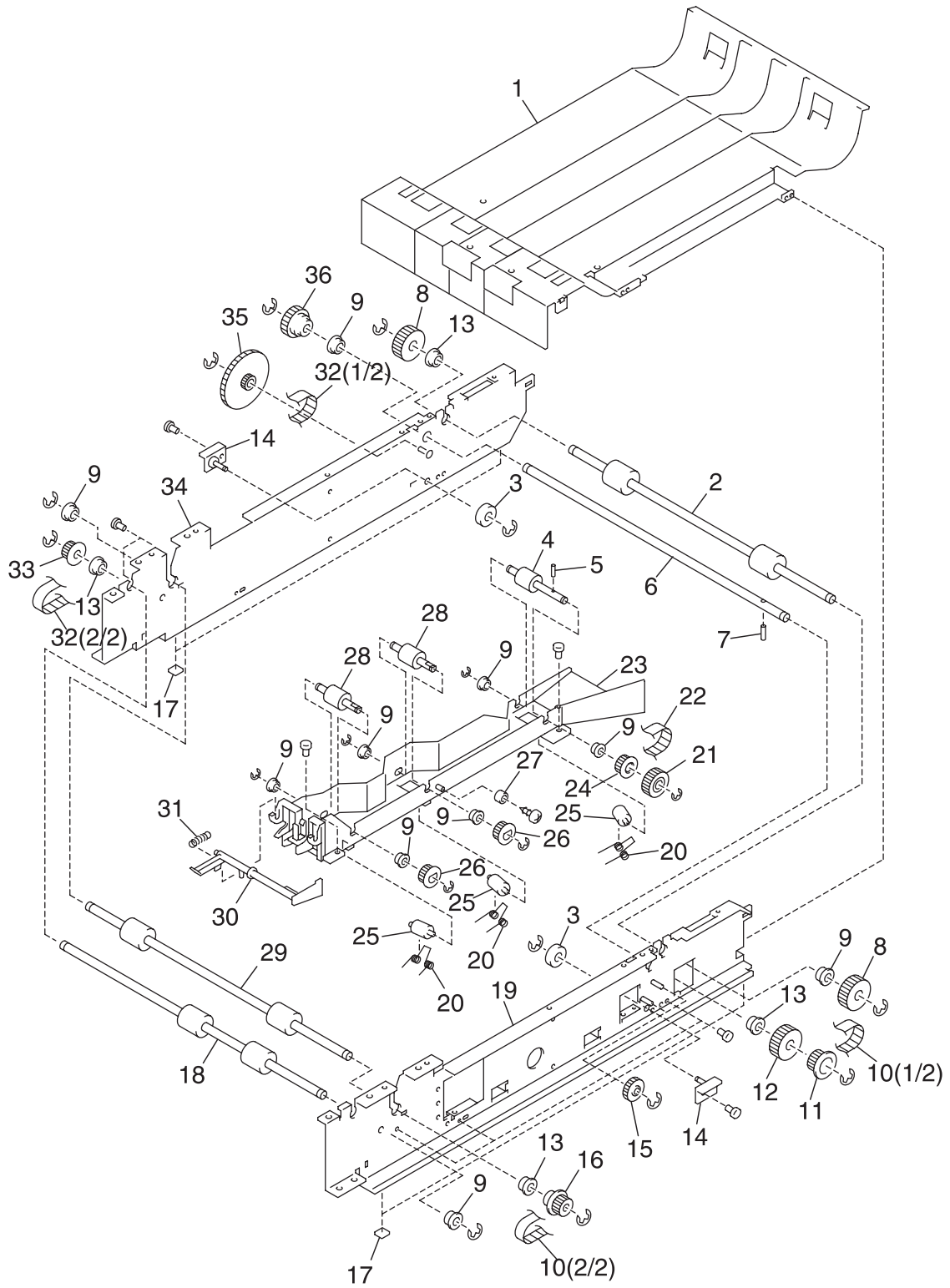
Assembly 24: Cassette Rear Section 2



Assembly 24:

Asm. Index	Part number	Units	Description
24 - 1	12G1025	2	Screw, Shoulder
2	12G1609	1	Cable, ADB
3	12G1191	1	Bracket, Connector
4	12G1678	2	Clamp, Cable
5	12G1190	1	Bracket, P Connector
6	12G1519	1	Cover, Side, Right
7	12G1052	2	Pad, Ground, A
8	12G1550	4	Label
9	12G1644	2	Holder Asm., Sub Lock
10	12G1214	1	Plate, Lower Connecting
11	12G1664	2	Sensor
12	12G1361	1	Spring, Sensor Lever
13	12G1275	1	Lever, Sensor
14	12G1057	1	Bracket, Sensor
15	12G1645	2	Holder Asm., Main Lock
16	12G1109	2	Cover, Rear Side Bracket
17	12G1192	1	Bracket, Rear Side, Right
18	12G1199	1	Bracket, Rear Side, Left
19	12G1213	1	Plate, Upper Connecting
20	12G1520	1	Cover, Side, Left

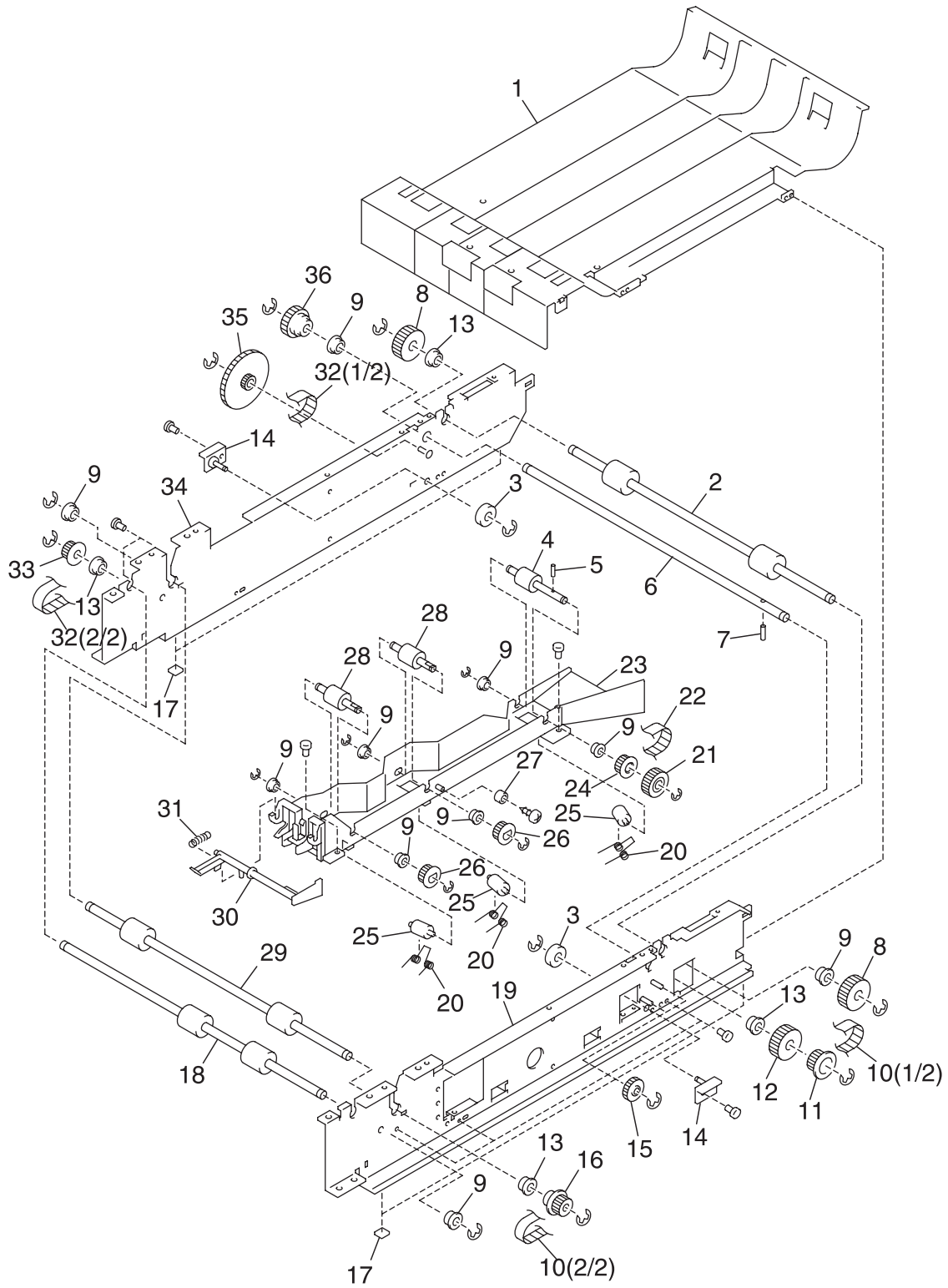
Assembly 25: Duplex Option Lower Section 1



Assembly 25:

Asm. Index	Part number	Units	Description
25 - 1	12G1150	1	Plate, Transfer Lower Guide
2	12G1400	1	Roller, Reverse
3	12G1401	2	Roller, Sub Plate Asm.
4	12G1403	1	Roller, A
5	12G1688	1	Pin, Dowel, Roller A
6	12G1259	1	Shaft, Gear
7	12G1690	1	Pin, Dowel, Gear Shaft
8	12G1456	2	Gear, (20Z)
9	12G1477	10	Bushing, Guide Frame Asm.
10	12G1472	1	Belt, Timing, (40S2M710)
11	12G1413	1	Pulley, (25T)
12	12G1458	1	Gear, Idle, (20P)
13	12G1483	4	Bushing
14	12G1654	2	Plate Asm., Sub
15	12G1455	2	Gear (18)
16	12G1412	1	Pulley, Left (25T)
17	12G1223	4	Sheet Slide
18	12G1402	1	Roller, Feed, 2
19	12G1090	1	Plate, Side, Right
20	12G1370	3	Spring, Pressure
21	12G1457	1	Gear, (20Z)
22	12G1474	1	Belt, Timing, (35S2M448)
23	12G1655	1	Frame Asm., Guide
24	12G1409	1	Pulley, (20T)
25	12G1405	3	Roller, Idler
26	12G1414	2	PULley, S (20T)
27	12G1415	1	Pulley
28	12G1404	2	Roller, B
29	12G1399	1	Roller, Feed, 1
30	12G1293	1	Lever, Sensor
31	12G1333	1	Spring, Sensor Lever
32	12G1468	1	Belt, Timing, (40S2M800)

Assembly 25 (Cont.): Duplex Lower Section 1

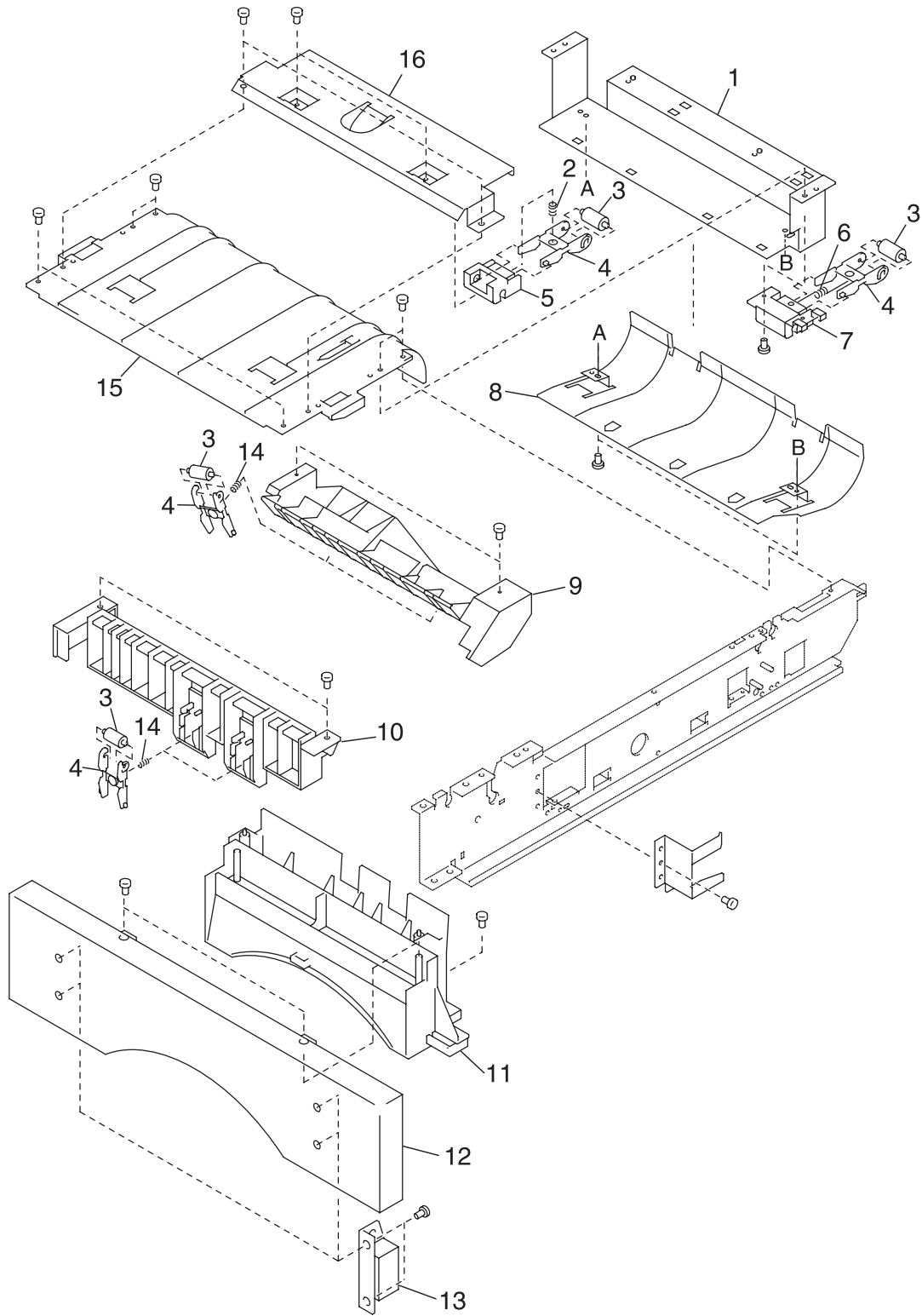


5016-001

Assembly 25:

Asm. Index	Part number	Units	Description
25 - 33	12G1406	1	Pulley, Feed Roller 2
34	12G1091	1	Plate, Side, Left
35	12G1411	1	Pulley, (34Z17T)
36	12G1462	1	Gear, (16Z)

Assembly 26: Duplex Option Lower Section 2



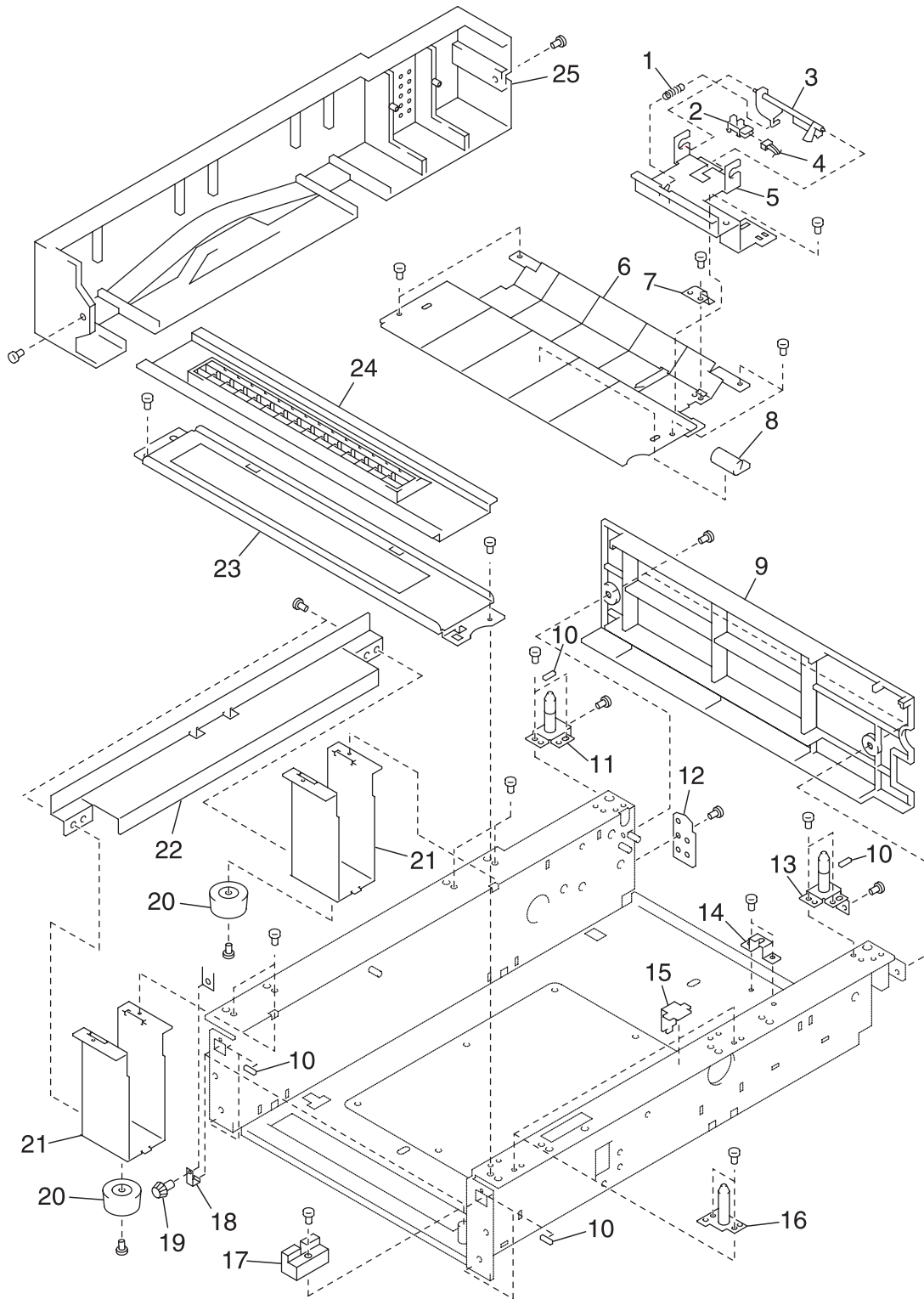
Note: Matching letters indicate corresponding assembly part locations.

5016-001

Assembly 26:

Asm. Index	Part number	Units	Description
26 - 1	12G1197	1	Plate, Reverse Section Mounting, 2
2	12G1329	2	Spring, Pinch Roller
3	12G1394	8	Roller, Pinch
4	12G1273	8	Arm, Pinch Roller
5	12G1088	2	Holder, Pinch Roller
6	12G1334	2	Spring, Pinch Roller, 2
7	12G1089	2	Holder, Pinch Roller, 2
8	12G1151	1	Guide, Reverse Lower, 2
9	12G1152	1	Guide, Transfer, A
10	12G1153	1	Guide, Transfer, B
11	12G1217	1	Bracket, Tray Front Panel
12	12G1534	1	Panel, Tray Front
13	12G1526	1	Magnet
14	12G1336	4	Spring, Pinch Roller, 3
15	12G1149	1	Guide, Reverse Lower
16	12G1196	1	Plate, Reverse Section Mounting
NS	12G1218	1	Actuator, Micro Switch

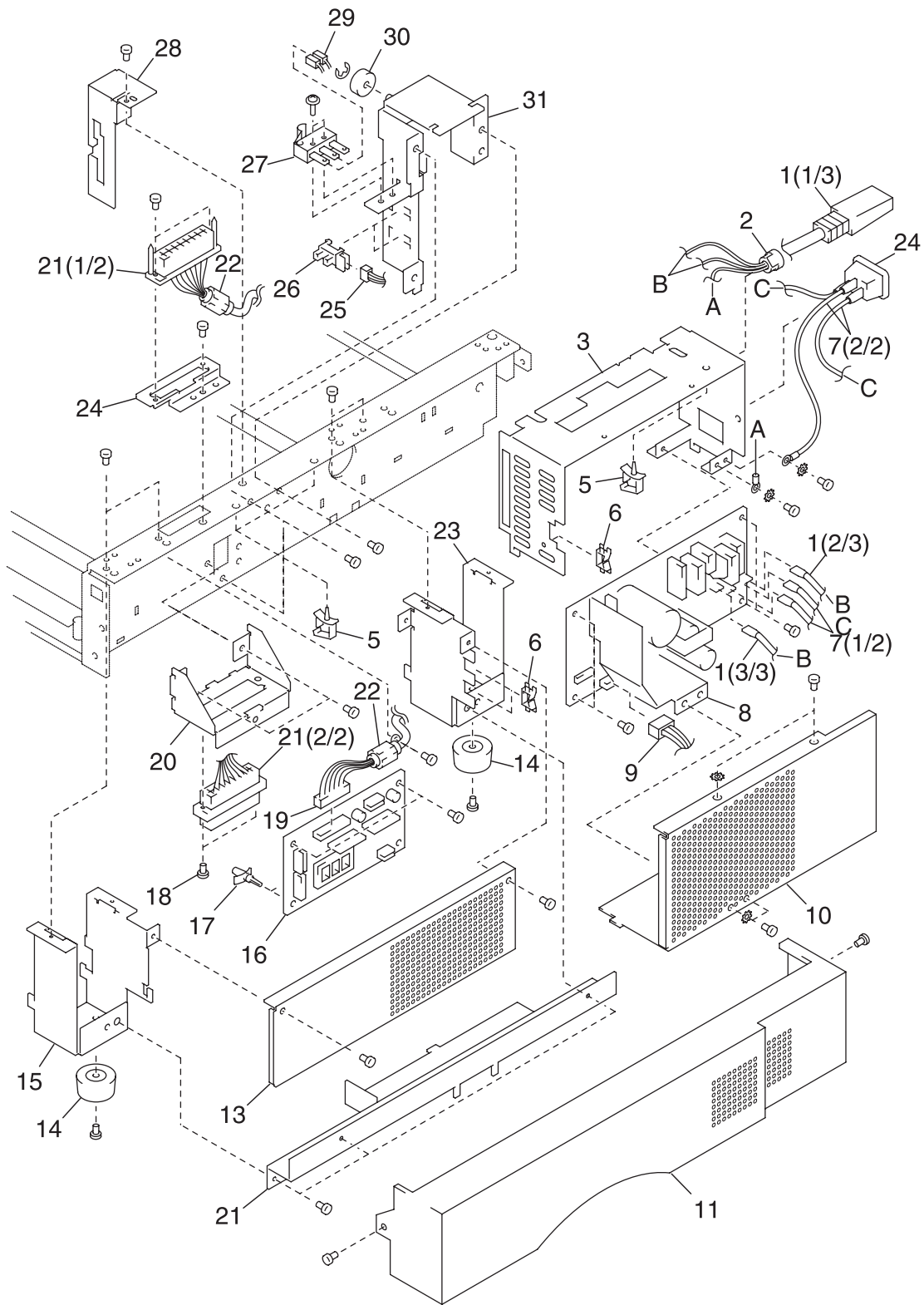
Assembly 27: Duplex Option Lower Section 3



Assembly 27:

Asm. Index	Part number	Units	Description
27 - 1	12G1335	1	Spring, Sensor
2	12G1664	1	Sensor
3	12G1292	1	Lever, Sensor
4	12G1613	1	Cable, ADRV
5	12G1194	1	Bracket, Sensor
6	12G1146	1	Plate, Reverse Section Upper Guide
7	12G1357	1	Spring, Leaf
8	12G1053	1	Packing, Ground, B
9	12G1533	1	Panel, Rear
10	12G1052	6	Packing, Ground, A
11	12G1650	1	Plate Asm., Sub, C
12	12G1229	1	Plate, Sub, E
13	12G1649	1	Plate Asm., Sub, B
14	12G1095	2	Plate Asm., Sub, A
15	12G1236	1	Plate, Positioning
16	12G1648	1	Plate, Fixing, A
17	12G1158	1	Block, Lock Piece
18	12G1208	2	Plate, Fixing
19	12G1023	2	Screw, Shoulder
20	12G1532	2	Foot
21	12G1198	2	Bracket, Foot
22	12G1219	1	Plate, Knob, Left
23	12G1092	1	Stay, Front
24	12G1148	1	Guide, Lower
25	12G1522	1	Cover, Side, Left

Assembly 28: Cassette Lower Section 4

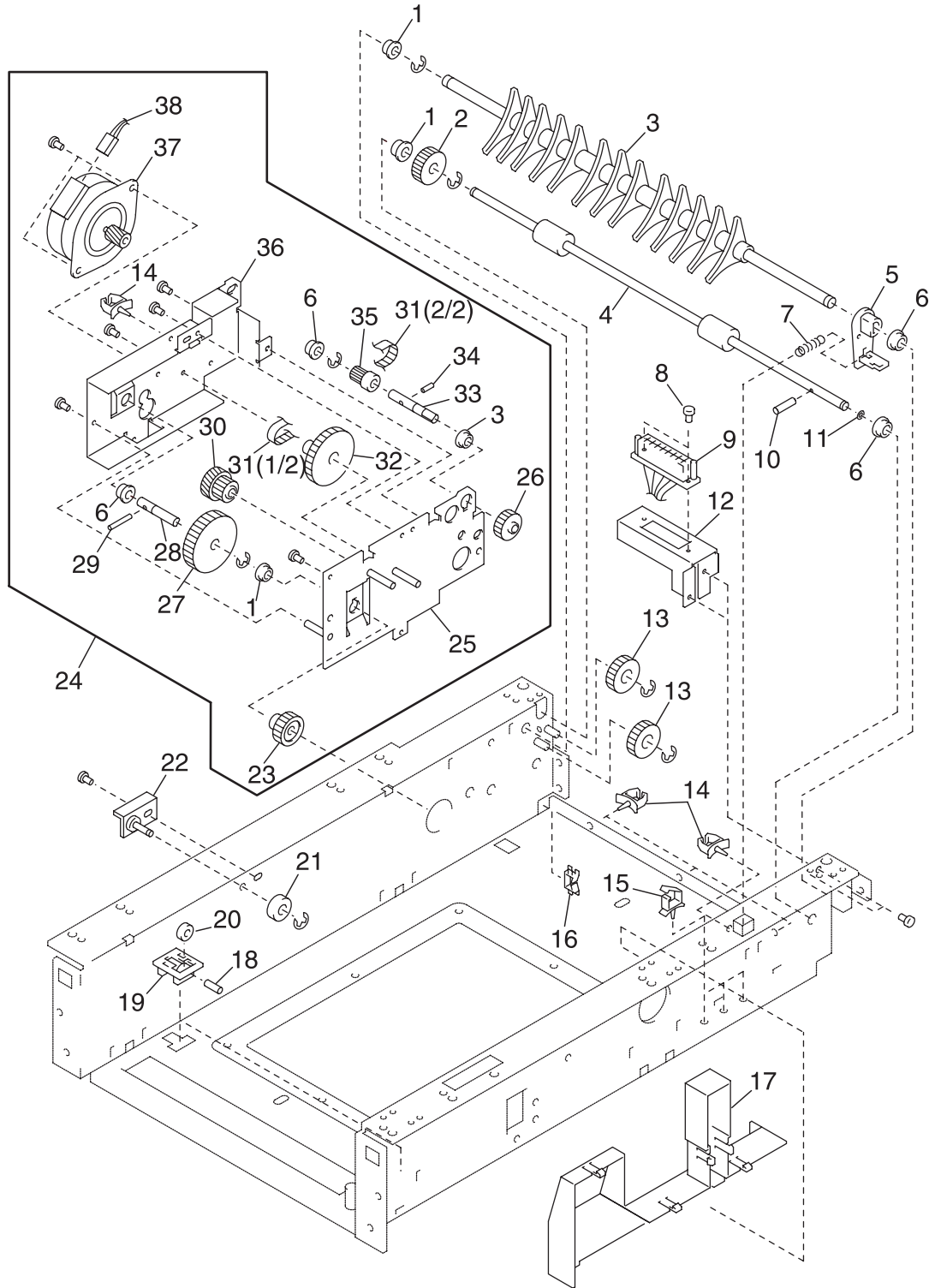


Note: Matching letters indicate corresponding assembly part locations.

Assembly 28:

Asm. Index	Part number	Units	Description
28 - 1	12G1021	1	Power Cord, AC
1	12G1022	1	Power Cord, AC
2	12G1687	1	Bushing, Cord
3	12G1110	1	Case, LVPS
4	12G1673	1	Socket, AC
5	12G1676	2	Clamp, Cable
6	12G1006	3	Clip, Cable
7	12G1614	1	Cable, OAC
8	12G1574	1	Board Asm., LVPS
9	12G1606	1	Cable, ADP
10	12G1111	1	Cover, LVPS
11	12G1521	1	Cover, Side, Right
12	12G1220	1	Plate, Knob, Right
13	12G1112	1	Cover, Controller Board
14	12G1532	2	Foot
15	12G1216	1	Plate, Positioning, 2
16	12G1573	1	Board Asm., Controller
17	12G1686	2	Standoff, Controller Board Asm.
18	12G1025	1	Screw, Shoulder
19	12G1608	1	Cable, ADL
20	12G1193	1	Plate, Connector
21	12G1605	1	Cable, ADM
22	12G1005	2	Core, Ferrite
23	12G1215	1	Plate, Positioning, 1
24	12G1221	1	Plate, Connector, Lower
25	12G1611	1	Cable, ADSN
26	12G1664	2	Sensor
27	12G1002	1	Switch, Micro
28	12G1114	1	Cover, Sensor
29	12G1607	1	Cable, ADSW
30	12G1401	1	Roller
31	12G1651	1	Bracket Asm., Sensor/Switch
NS	12G1668	1	Clamp, Cable

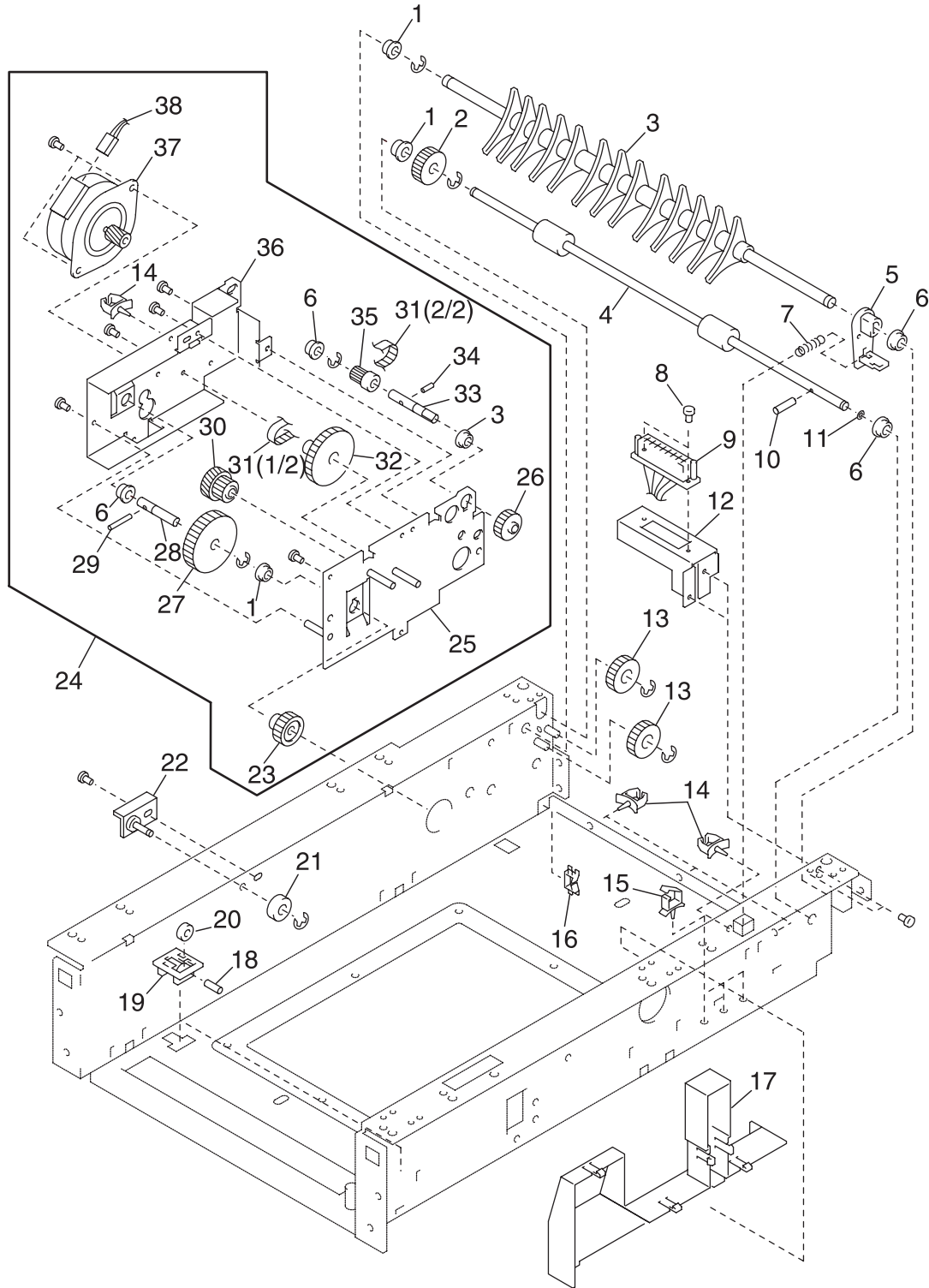
Assembly 29: Duplex Option Lower Section 5



Assembly 29:

Asm. Index	Part number	Units	Description
29 - 1	12G1483	4	Bushing
2	12G1459	1	Gear, 18Z
3	12G1274	1	Guide, Selecting, 2
4	12G1397	1	Roller, Reverse
5	12G1294	1	Lever, Selecting
6	12G1477	4	Bushing
7	12G1332	1	Spring, Selecting Lever
8	12G1025	1	Screw, Shoulder
9	12G1608	1	Cable, ADL
10	12G1694	1	Pin, Dowel Reverse Roll Shaft Asm
11	12G1499	1	Slider, Poly Reverse Roll Shaft Asm
12	12G1195	1	Bracket, Rear Side Connector
13	12G1455	2	Gear, 18R
14	12G1668	5	Clamp, Cable
15	12G1676	3	Clamp, Cable
16	12G1006	1	Clip, Edge
17	12G1113	1	Cover, Cable
18	12G1039	2	Pin, Guide Roller
19	12G1147	2	Holder, Roller
20	12G1398	2	Roller, Guide
21	12G1401	1	Roller
22	12G1654	1	Plate Asm., Sub
23	12G1460	1	Gear, 22Z
24	12G1343	1	Block Asm., Lower Section Drive
25	12G1647	1	Bracket Asm., Gear 2
26	12G1463	1	Gear, 18D
27	12G1461	1	Gear 50Z
28	12G1260	1	Shaft, 50Z/22Z
29	12G1691	1	Pin, Dowel, Shaft 50Z/22Z
30	12G1464	1	Gear, 25/20R
31	12G1473	1	Belt, Timing, (40S2M172)
32	12G1410	1	Pulley, 50Z/22T

Assembly 29 (Cont.): Duplex Option Lower 5



5016-001

Assembly 29:

Asm. Index	Part number	Units	Description
29 - 33	12G1258	1	Shaft
34	12G1689	1	Pin, Dowel, Shaft
35	12G1416	1	Pulley, 16T
36	12G1656	1	Bracket Asm., Gear, 1
37	12G1652	1	Motor Assembly
38	12G1612	1	Cable, ADMT

Assembly 30: Miscellaneous

Asm. Index	Part number	Units	Description
30 - NS	12G1704	1	Card Asm., SIMM IPDS/SCS/TNE
NS	13A0297	1	Cable, Coax
NS	13A0296	1	Cable, Twinax
NS	99A0459	1	Hard Disk, 2.1GB
NS	99A0545	1	Adapter, Serial
NS	12G1696	1	Marknet N2000t 4/16 Token Ring
NS	12G1697	1	Marknet N2002e 10base2/10baseT
NS	99A1830	1	Marknet N2001e 10/100 Ethernet
NS	99A1752	1	4MB SDRAM DIMM
NS	99A1753	1	8MB SDRAM DIMM
NS	99A1754	1	16MB SDRAM DIMM
NS	99A1755	1	32MB SDRAM DIMM
NS	99A1756	1	64MB SDRAM DIMM
NS	99A1773	1	128MB SDRAM DIMM
NS	99A1757	1	2MB Flash DIMM
NS	99A1758	1	4MB Flash DIMM
NS	99A1759	1	8MB Flash DIMM
NS	99A1774	1	16MB Flash DIMM
NS	99A0560	1	Tri-port Interface Card (Serial/ LocalTalk and IR)
NS	99A0923	1	Board, USB/Parallel Port
NS	99A0467	1	Board, Parallel Port Adapter
NS	12G1120	1	Parts Packet, E-rings
NS	12G1169		Parts Packet, Screws
NS	12G1170		Parts Packet, Washers