

Parts catalog

Legend

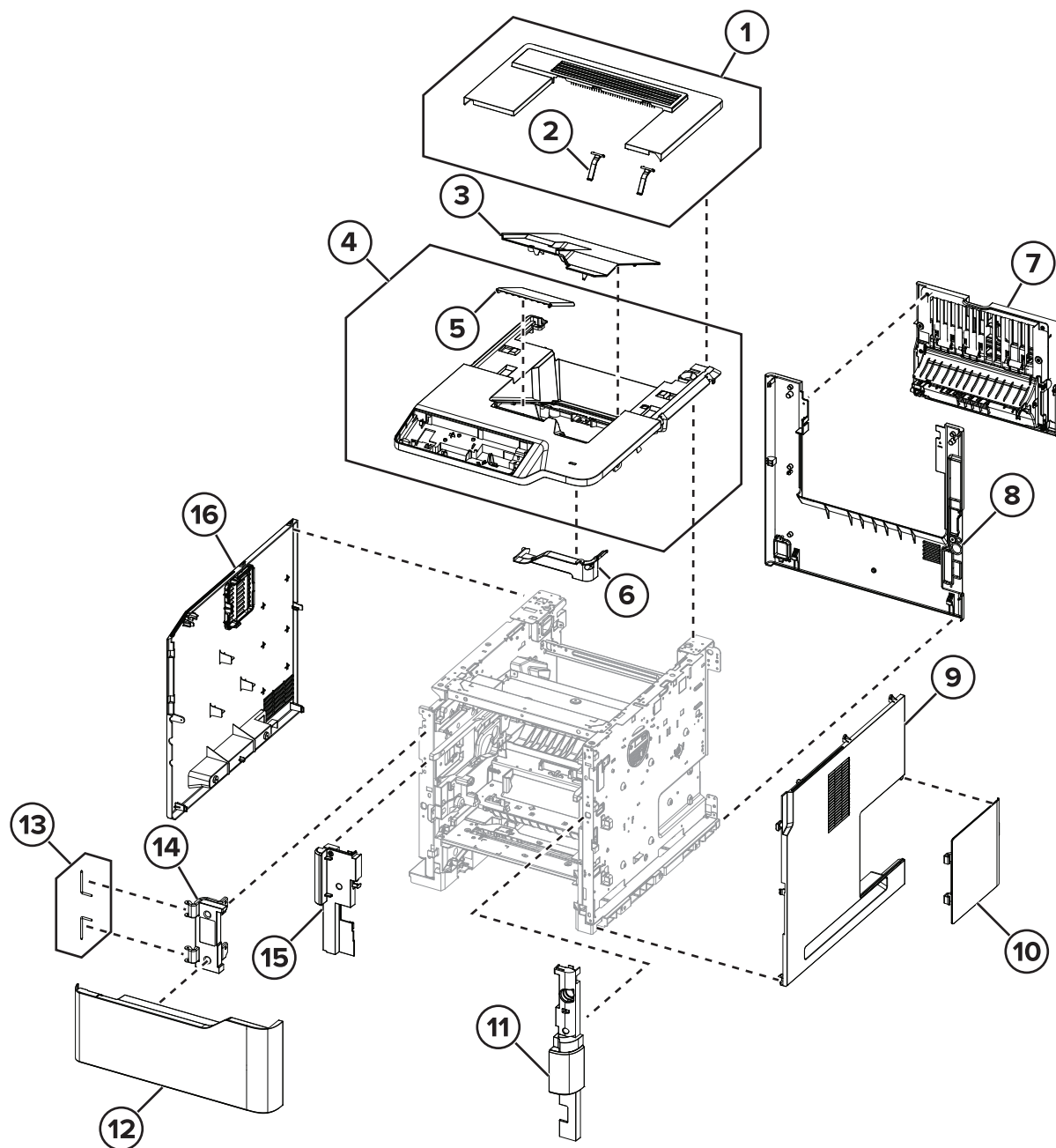
The following column headings are used in the parts catalog:

- **Asm-index**—Identifies the item in the illustration
- **P/N**—Identifies the part number of a FRU
- **Units/mach**—Refers to the number of units in a printer
- **Units/opt**—Refers to the number of units in an option
- **Units/FRU**—Refers to the number of units in a FRU
- **Description**—A brief description of the part

The following abbreviations are used in the parts catalog:

- **NS** (not shown) in the Asm-index column indicates that the part is procurable but is not shown in the illustration.
- **PP** (parts packet) in the Description column indicates that the part is contained in a parts packet.

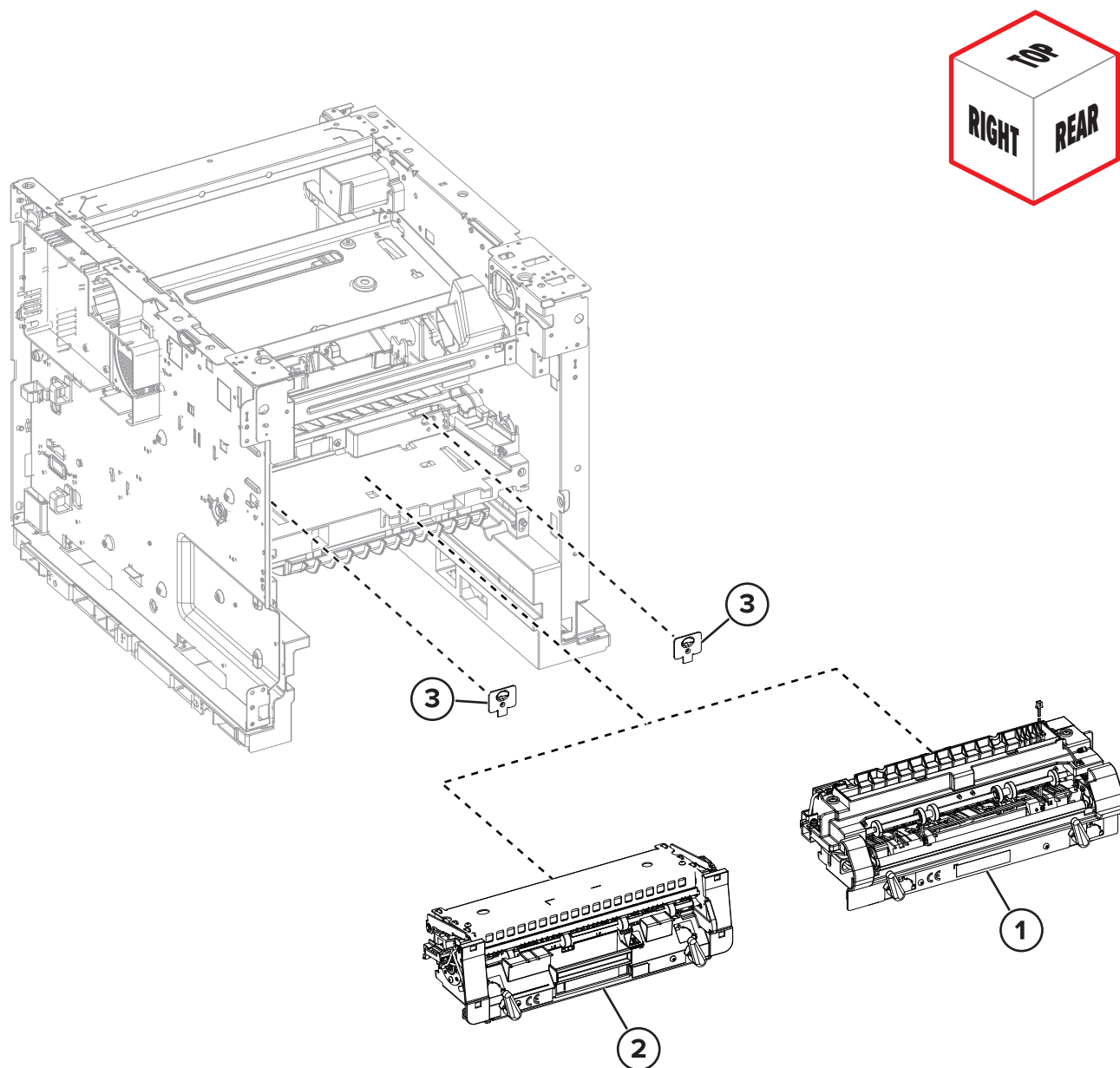
Assembly 1: Covers



Assembly 1: Covers

Asm-index	P/N	Units/mach	Units/FRU	Description	Removal procedure
1	41X1054	2	1	Top cover with static brush	“Top cover removal” on page 404
2	41X1055	2	1	Paper stacking bail	--
3	41X1114	1	1	Printhead access cover	“Printhead removal” on page 404
3	41X2137	1	1	Printhead access cover (Hot Roller)	“Printhead removal” on page 404
4	41X1632	1	1	Bin cover	“Bin cover removal” on page 408
5	41X1146	1	1	Bin extender	--
6	41X1059	1	1	Trim cover	--
7	41X1126	1	1	Rear door	“Rear door removal” on page 400
8	41X1065	1	1	Rear cover	“Rear cover removal” on page 401
9	41X1066	1	1	Right cover	“Right cover removal” on page 374
10	41X1128	1	1	Controller board access door	“Controller board access door removal” on page 378
11	41X1064	1	1	Inner right cover	“Inner right cover removal” on page 390
12	41X1070	1	1	Front door	“Front door removal” on page 388
13	41X1154	2	2	Front door pins	“Front door removal” on page 388
14	41X1069	1	1	Front door bracket	“Front door bracket removal” on page 385
15	41X1068	1	1	Inner left cover	“Inner left cover removal” on page 389
16	41X1067	1	1	Left cover	“Left cover removal” on page 363

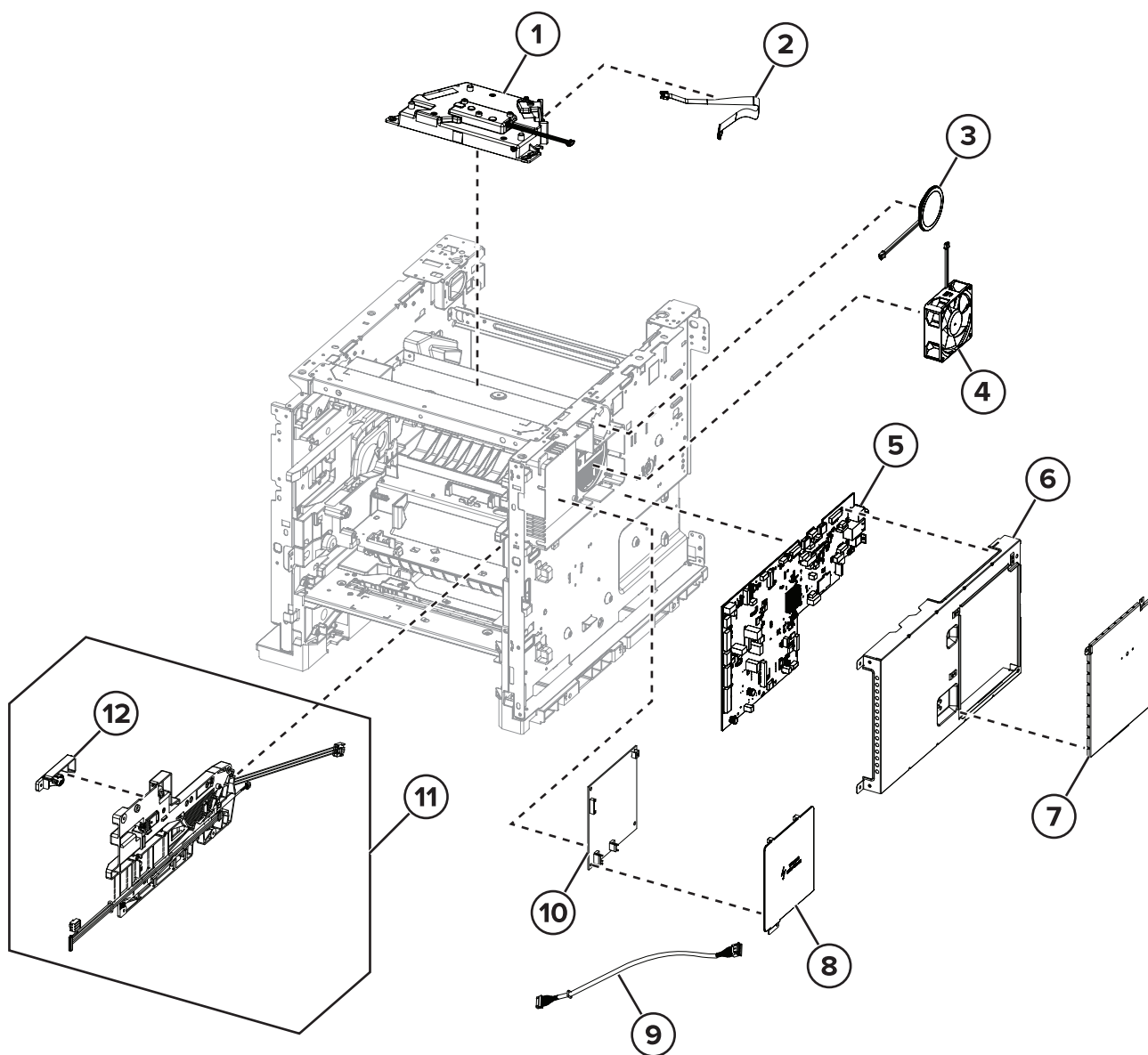
Assembly 2: Fuser



Assembly 2: Fuser

Asm-index	P/N	Units/mach	Units/FRU	Description	Removal procedure
1	41X2148	1	1	Hot roll fuser, 220V Contact Detack LRP TYPE 13	“Fuser removal” on page 403
1	41X2149	1	1	Hot roll fuser, 115V Contact Detack NLRP TYPE 17	“Fuser removal” on page 403
1	41X2150	1	1	Hot roll fuser, 220V Contact Detack NLRP TYPE 19	“Fuser removal” on page 403
2	41X1115	1	1	Belt fuser, 115V LTR LRP TYPE 00	“Fuser removal” on page 403
2	41X1116	1	1	Belt fuser, 230V A4 LRP TYPE 01	“Fuser removal” on page 403
2	41X1117	1	1	Belt fuser, 100V A4 LRP TYPE 02	“Fuser removal” on page 403
2	41X2141	1	1	Belt fuser, 115V A4 LRP TYPE 03	“Fuser removal” on page 403
2	41X2142	1	1	Belt fuser, 230V LTR LRP	“Fuser removal” on page 403
2	41X2143	1	1	Belt fuser, 115V LTR NLRP	“Fuser removal” on page 403
2	41X2144	1	1	Belt fuser, 230V A4 NLRP	“Fuser removal” on page 403
2	41X2145	1	1	Belt fuser, 100V A4 NLRP	“Fuser removal” on page 403
2	41X2146	1	1	Belt fuser, 115V A4 NLRP	“Fuser removal” on page 403
2	41X2155	1	1	Belt fuser, 115V LTR LRP	“Fuser removal” on page 403
2	41X2156	1	1	Belt fuser, 230V A4 LRP TYPE 35	“Fuser removal” on page 403
2	41X2157	1	1	Belt fuser, 115V A4 LRP TYPE 35	“Fuser removal” on page 403
2	41X2158	1	1	Belt fuser, 230V LTR LRP TYPE 36	“Fuser removal” on page 403
3	41X1075	2	1	Fuser attach bracket	--

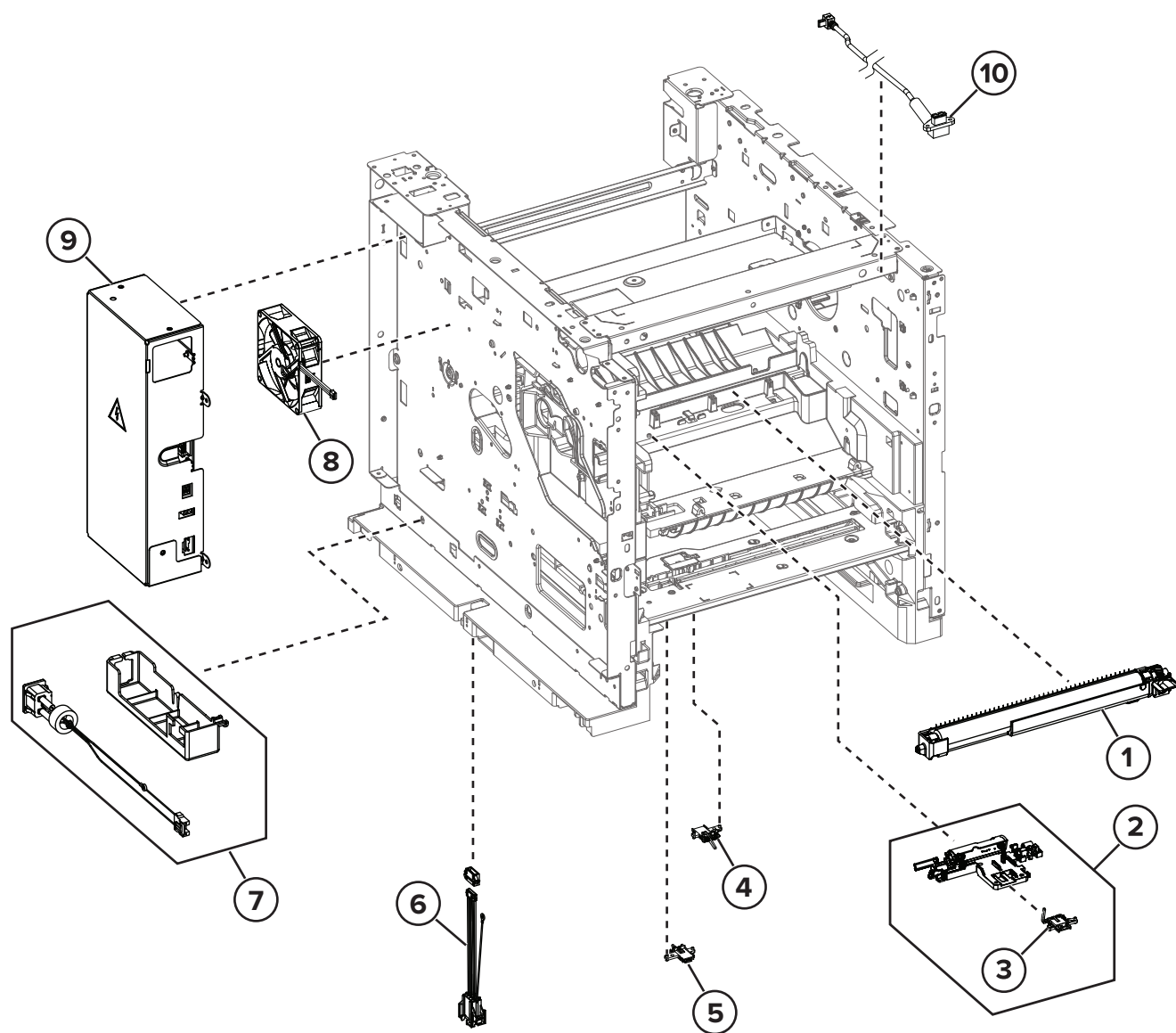
Assembly 3: Electronics 1



Assembly 3: Electronics 1

Asm-index	P/N	Units/mach	Units/FRU	Description	Removal procedure
1	41X1106	1	1	Printhead	“Printhead removal” on page 404
2	41X1111	1	1	Printhead video cable	--
3	40X9079	1	1	Speaker	“Speaker removal” on page 380
4	41X1177	1	1	Fan, 80 mm	“Cartridge fan removal” on page 377
5	41X1127	1	1	Controller board	“Controller board removal” on page 379
6	41X1052	1	1	Controller board housing	--
7	41X1053	1	1	Controller board shield	--
8	41X1622	1	1	HVPS shield	“High voltage contacts guide removal” on page 381
9	41X2320	1	1	LVPS cable	--
10	41X1099	1	1	HVPS	“HVPS removal” on page 375
11	41X1087	1	1	High voltage contacts guide	“High voltage contacts guide removal” on page 381
12	41X1088	1	1	Toner cartridge bias roller	--

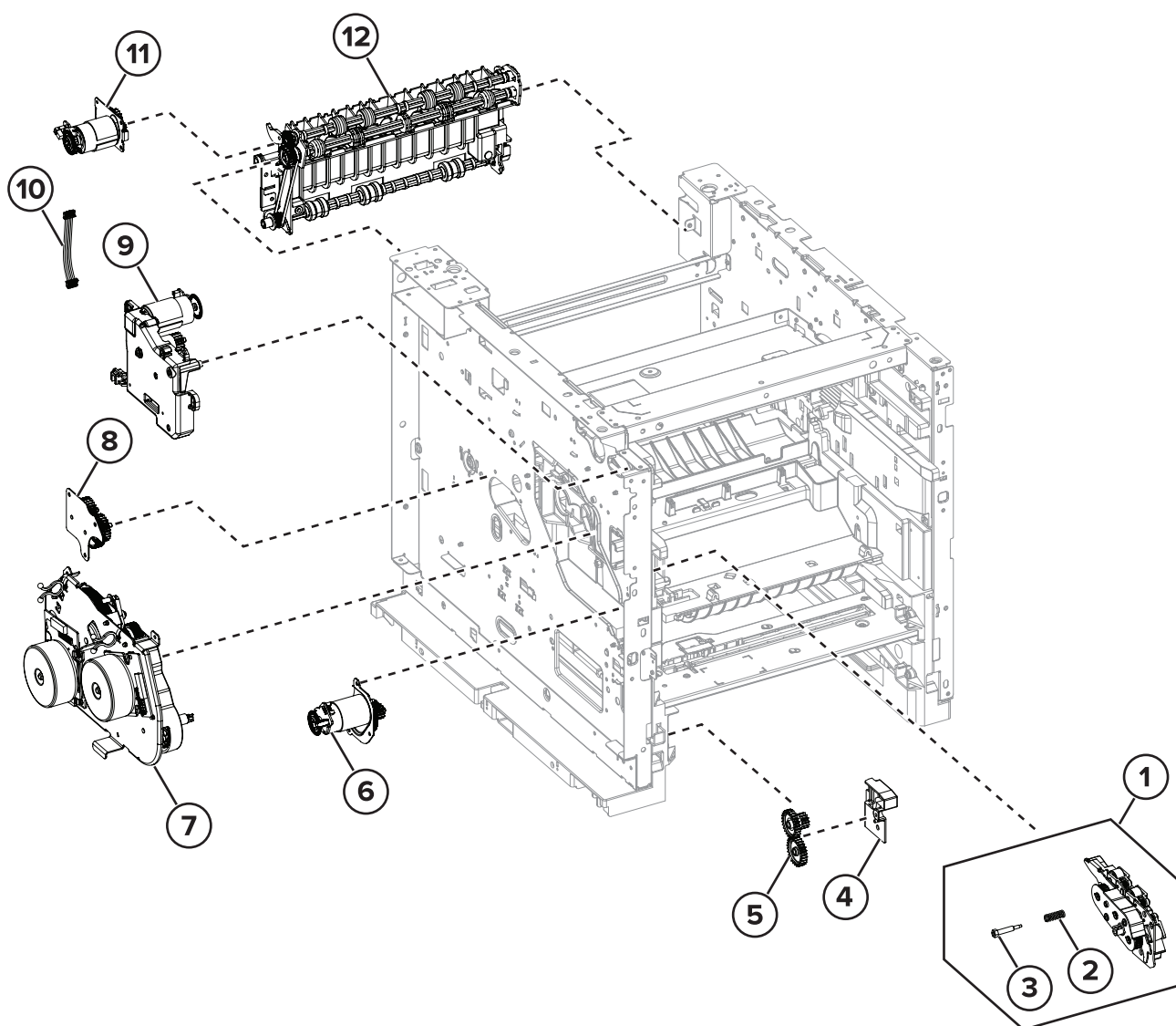
Assembly 4: Electronics 2



Assembly 4: Electronics 2

Asm-index	P/N	Units/mach	Units/FRU	Description	Removal procedure
1	41X1076	1	1	Transfer roller	“Transfer roller removal” on page 399
2	41X1077	1	1	Sensor (toner density)	“Sensor (toner density) removal” on page 399
3	41X1095	1	1	Sensor (input)	“Sensor (input) removal” on page 394
4	41X1093	1	1	Sensor (pass-through)	“Sensor (tray 1 pass-through) removal” on page 415
5	41X1094	1	1	Sensor (tray 1 pick)	“Sensor (tray 1 pick) removal” on page 416
6	41X1086	1	1	Optional tray interface cable	--
7	41X1097	1	1	AC power socket	“AC power socket removal” on page 364
8	41X1177	1	1	Fan, 80 mm	“Main fan removal” on page 366
9	41X1112	1	1	LVPS	“LVPS removal” on page 368
10	41X2356	1	1	USB host cable	--

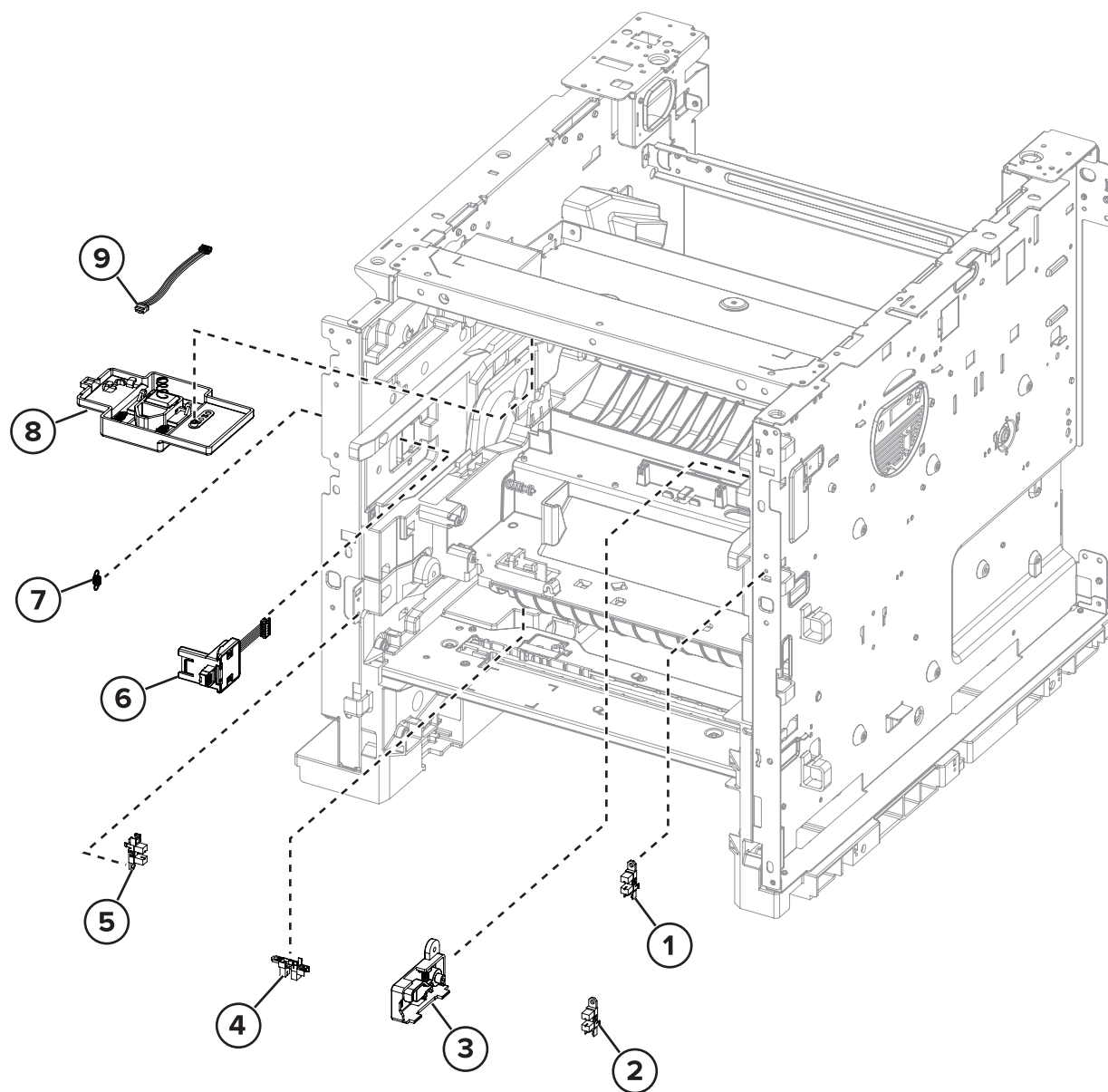
Assembly 5: Motors



Assembly 5: Motors

Asm-index	P/N	Units/mach	Units/FRU	Description	Removal procedure
1	41X1079	1	1	Aligner	“Aligner removal” on page 393
2	41X2135	1	1	Aligner spring	--
3	41X1081	1	1	Aligner screw	--
4	41X2123	1	1	Gear cover	“Optional tray drive gear removal” on page 413
5	41X1615	1	1	Optional tray drive gear	“Optional tray drive gear removal” on page 413
6	41X1105	1	1	Motor (MPF)	“Motor (MPF) removal” on page 367
7	41X1102	1	1	Main motor drive	“Main motor drive removal” on page 364
8	41X1104	1	1	Fuser drive gears	“Fuser drive gears removal” on page 366
9	41X1103	1	1	Toner cartridge drive	--
10	41X2355	1	1	Toner cartridge motor cable	--
11	41X1096	1	1	Motor (redrive)	“Motor (redrive) removal” on page 371
12	41X1109	1	1	Upper redrive	“Upper redrive removal” on page 404

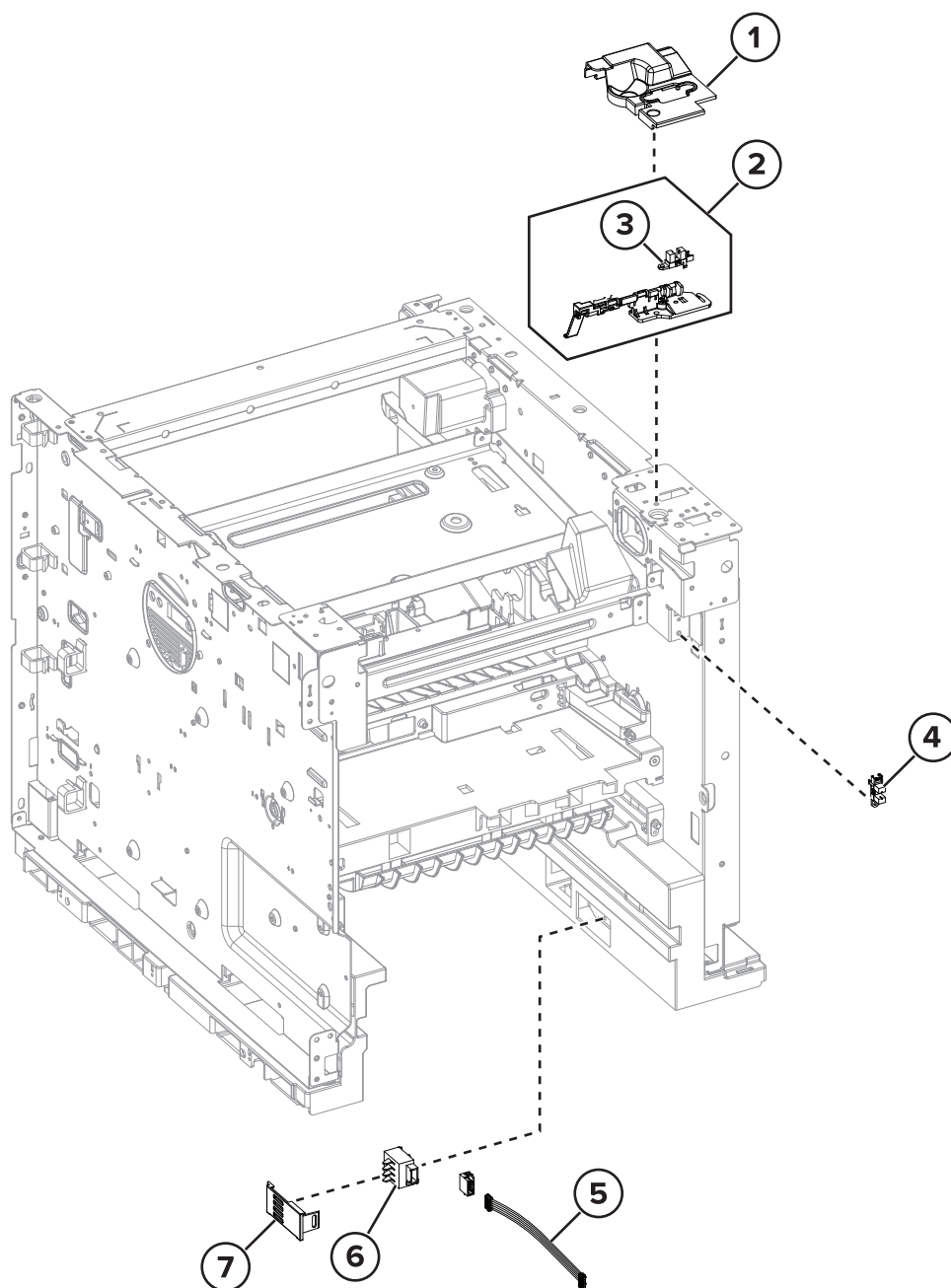
Assembly 6: Sensors 1



Assembly 6: Sensors 1

Asm-index	P/N	Units/mach	Units/FRU	Description	Removal procedure
1	41X1083	1	1	Sensor (front door interlock)	--
2	41X1083	1	1	Sensor (toner cartridge shutter)	“Sensor (toner cartridge shutter) removal” on page 384
3	41X1089	1	1	Toner cartridge shutter actuator	“Toner cartridge shutter actuator removal” on page 384
4	41X1083	1	1	Sensor (duplex interlock)	“Sensor (duplex interlock) removal” on page 392
5	41X1083	1	1	Sensor (MPF paper present)	--
6	41X1084	1	1	Sensor (toner smart chip)	“Sensor (toner smart chip) removal” on page 372
7	41X2124	1	1	Toner smart chip spring	“Sensor (toner smart chip) removal” on page 372
8	41X1072	1	1	Sensor (toner low)	“Sensor (toner low) removal” on page 397
9	41X2353	1	1	Toner low sensor cable	--

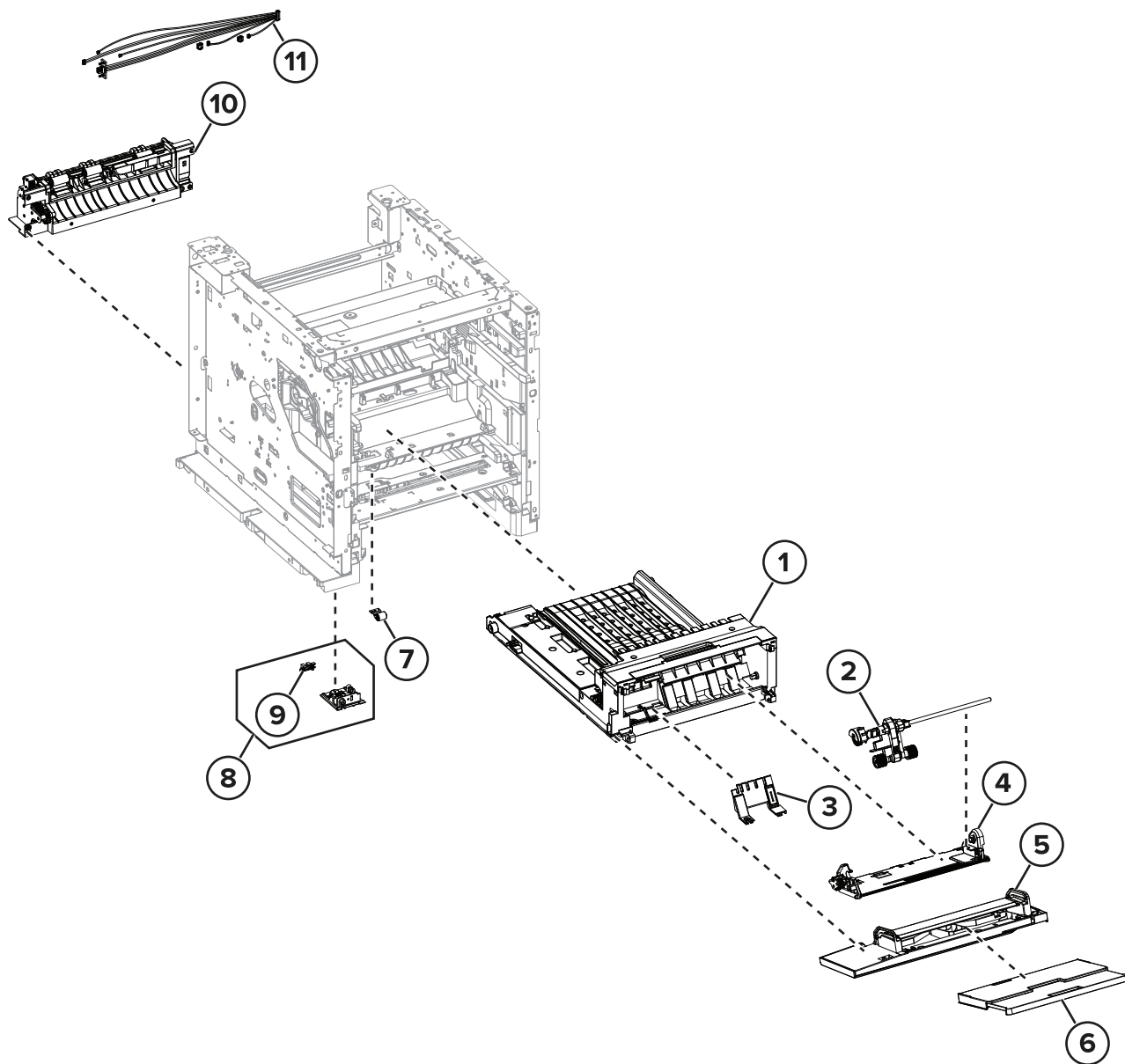
Assembly 7: Sensors 2



Assembly 7: Sensors 2

Asm-index	P/N	Units/mach	Units/FRU	Description	Removal procedure
1	41X1056	1	1	Bin full sensor cover	“Bin full sensor cover removal” on page 407
2	41X1110	1	1	Sensor (standard bin full) with actuator	--
3	41X1083	1	1	Sensor (standard bin full)	“Sensor (standard bin full) removal” on page 407
4	41X1083	1	1	Sensor (rear door interlock)	“Sensor (rear door interlock) removal” on page 403
5	41X2354	1	1	Paper size sensor cable	--
6	40X7911	1	1	Sensor (paper size)	“Sensor (paper size) removal” on page 414
7	41X1085	1	1	Paper size sensor cover	“Sensor (paper size) removal” on page 414

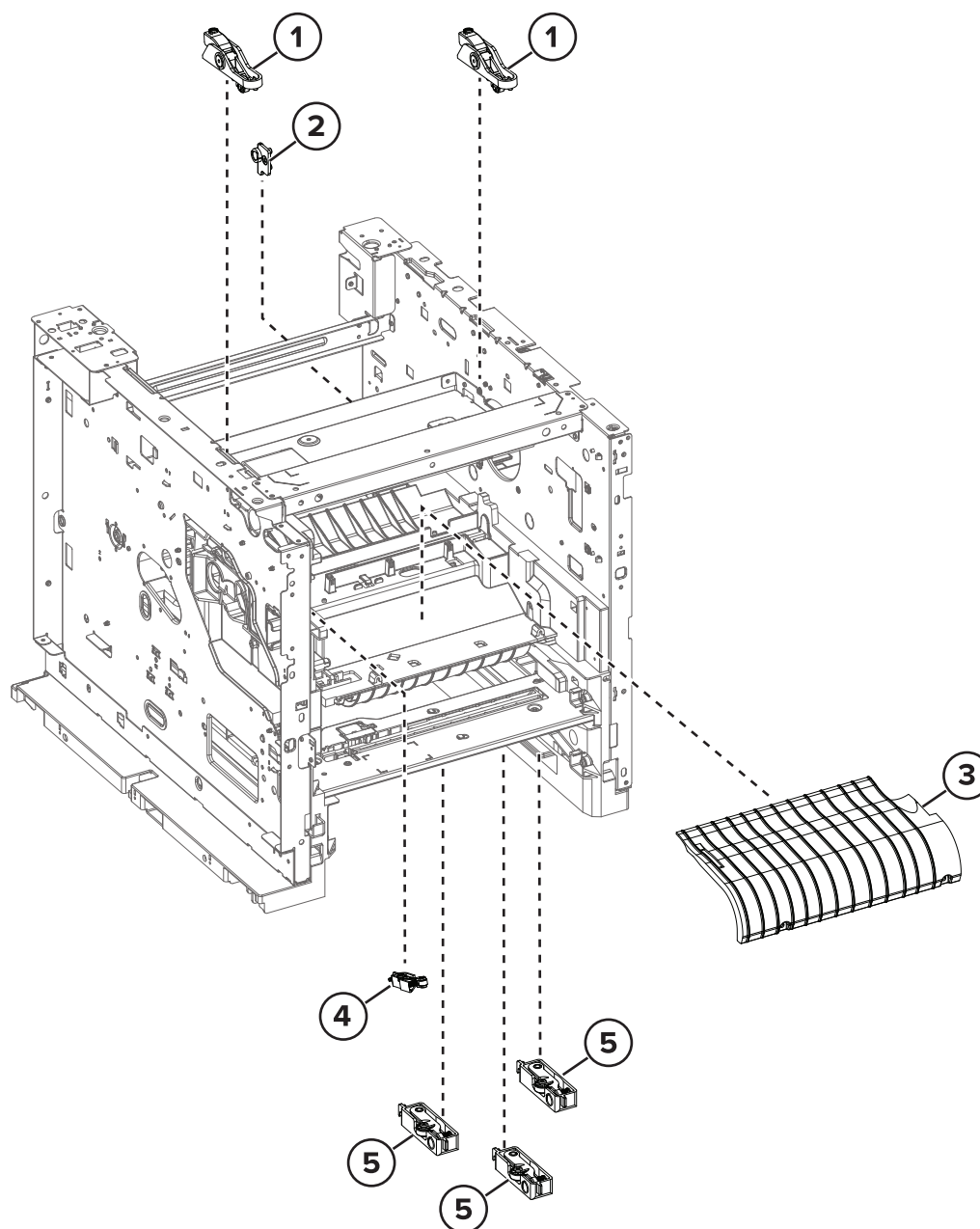
Assembly 8: Duplex



Assembly 8: Duplex

Asm-index	P/N	Units/mach	Units/FRU	Description	Removal procedure
1	41X1122	1	1	Duplex/MPF tray	“Duplex/MPF tray removal” on page 388
1	41X1648	1	1	MPF tray (MS821n and MS823n)	--
2	41X1123	1	1	MPF pick roller	“MPF pick roller removal” on page 396
3	41X1638	1	1	MPF tray separator pad	--
4	41X1635	1	1	MPF tray drive/support	--
5	41X1636	1	1	MPF front door	--
6	41X1124	1	1	MPF tray extension	--
7	41X1631	1	1	Duplex pinch roller	--
8	41X1078	1	1	Sensor (duplex path) with cover	“Sensor (duplex path) with cover removal” on page 413
9	41X1083	1	1	Sensor (duplex path)	“Sensor (duplex path) with cover removal” on page 413
10	41X1050	1	1	Motor (duplex)	“Motor (duplex) removal” on page 401
11	41X2318	1	1	Sensor/redrive motor cable	--

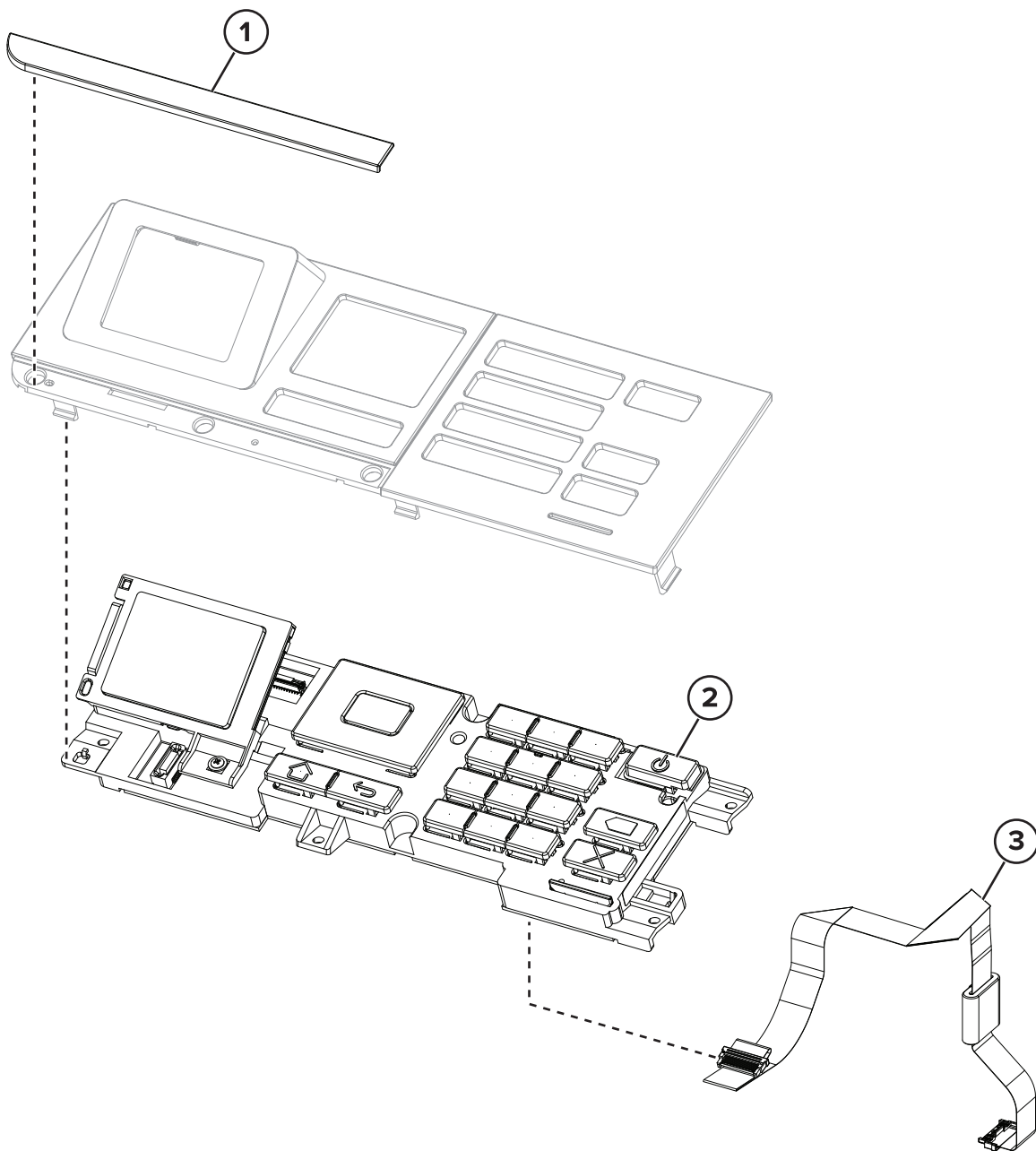
Assembly 9: Frames



Assembly 9: Frames

Asm-index	P/N	Units/mach	Units/FRU	Description	Removal procedure
1	41X1073	2	1	Imaging unit clamp	--
2	41X1092	1	1	Rear door right pivot	--
3	41X1080	1	1	Inner guide deflector	"Inner guide deflector removal" on page 392
4	41X1618	1	1	Imaging unit side bias roller	--
5	41X1091	3	1	Tray bias roller, front	--
5	41X1091	3	1	Tray bias roller, top	--
5	41X1091	3	1	Tray bias roller, rear	--

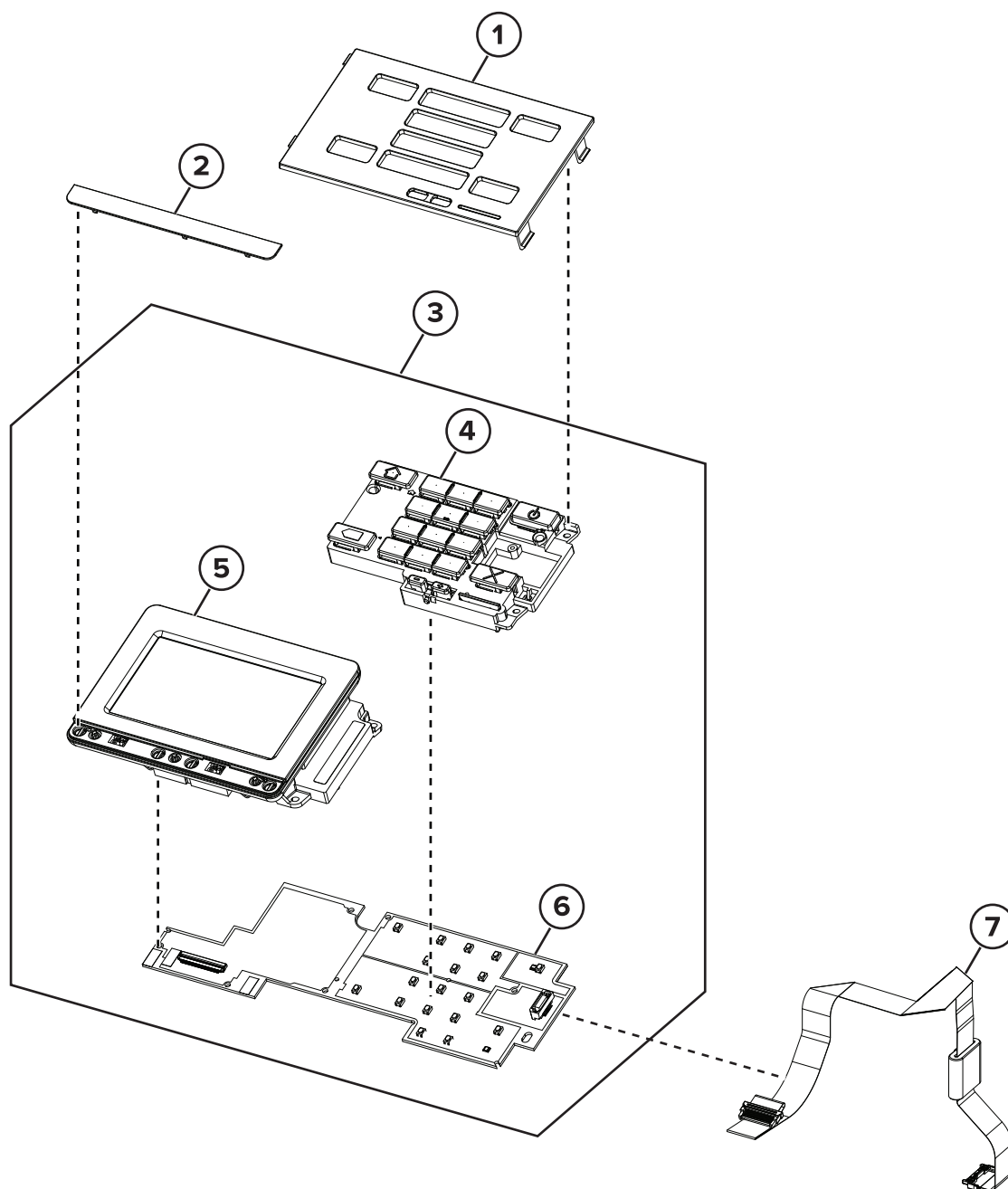
Assembly 10: Control panel (2.4-inch display)



Assembly 10: Control panel (2.4-inch display)

Asm-index	P/N	Units/mach	Units/FRU	Description	Removal procedure
1	41X2363	1	1	Bezel (MS821)	--
1	41X2367	1	1	Bezel (MS823)	--
1	41X2368	1	1	Bezel (B2865)	--
1	41X2369	1	1	Bezel (B2866)	--
1	41X2372	1	1	Bezel (MS825)	--
1	41X2376	1	1	Bezel (MS725)	--
2	41X1733	1	1	Control panel (2.4-inch) board and display	--
3	41X2321	1	1	Control panel cable	--

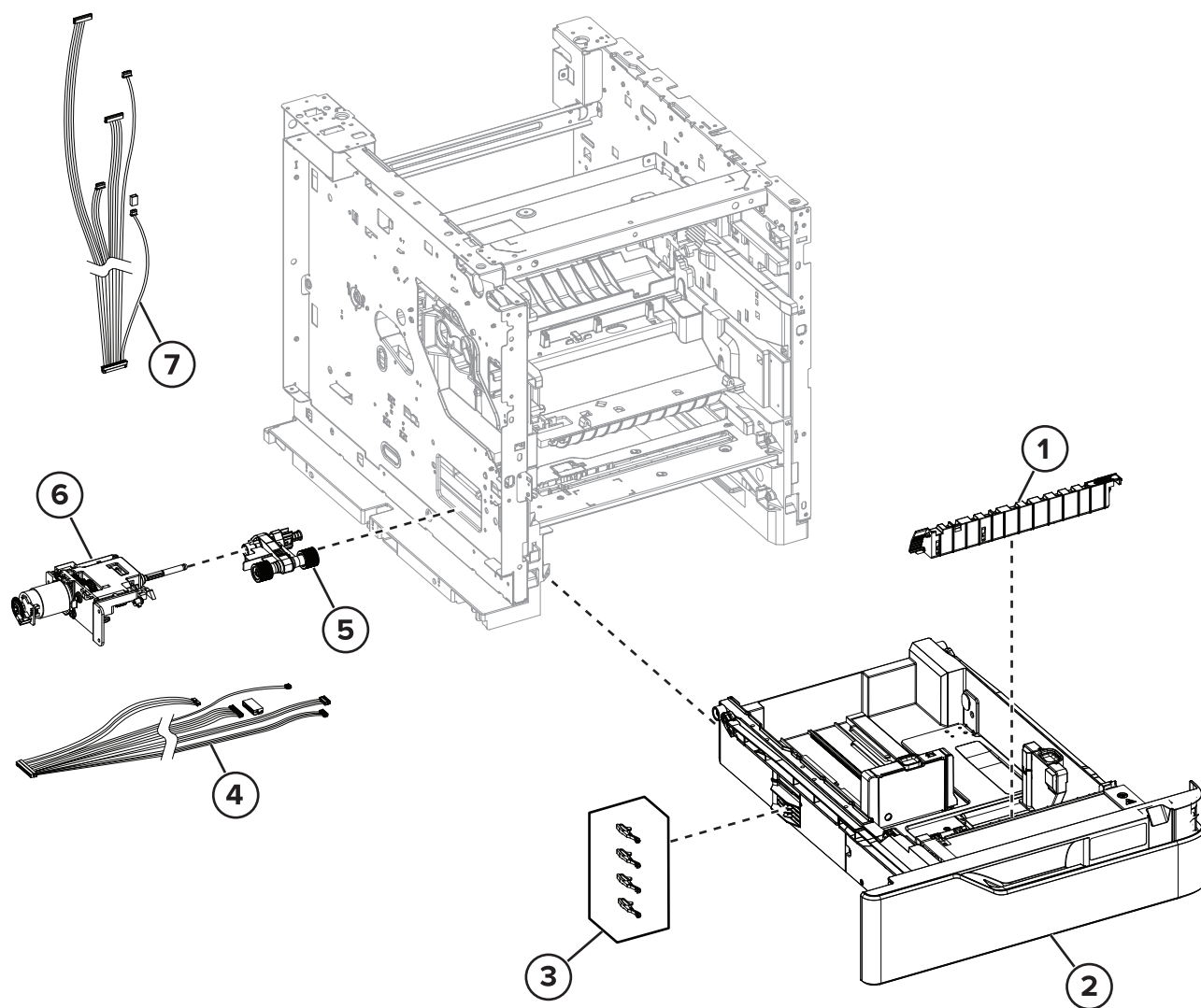
Assembly 11: Control panel (4.3-inch display)



Assembly 11: Control panel (4.3-inch display)

Asm-index	P/N	Units/mach	Units/FRU	Description	Removal procedure
1	41X1060	1	1	Control panel (4.3-inch display) cover	“Control panel (4.3-inch display) removal” on page 396
2	41X2364	1	1	Bezel (MS822)	--
2	41X2366	1	1	Bezel (M5255)	--
2	41X2371	1	1	Bezel (M5265)	--
2	41X2373	1	1	Bezel (MS826)	--
2	41X2375	1	1	Bezel (M5270)	--
3	41X1062	1	1	Control panel (4.3-inch display)	“Control panel (4.3-inch display) removal” on page 396
4	41X1057	1	1	Control panel button kit	--
5	41X2139	1	1	Control panel display (4.3-inch)	--
6	41X1058	1	1	Control panel (4.3-inch) board	--
7	41X2321	1	1	Control panel cable	--

Assembly 12: Tray/feed



Assembly 12: Tray/feed

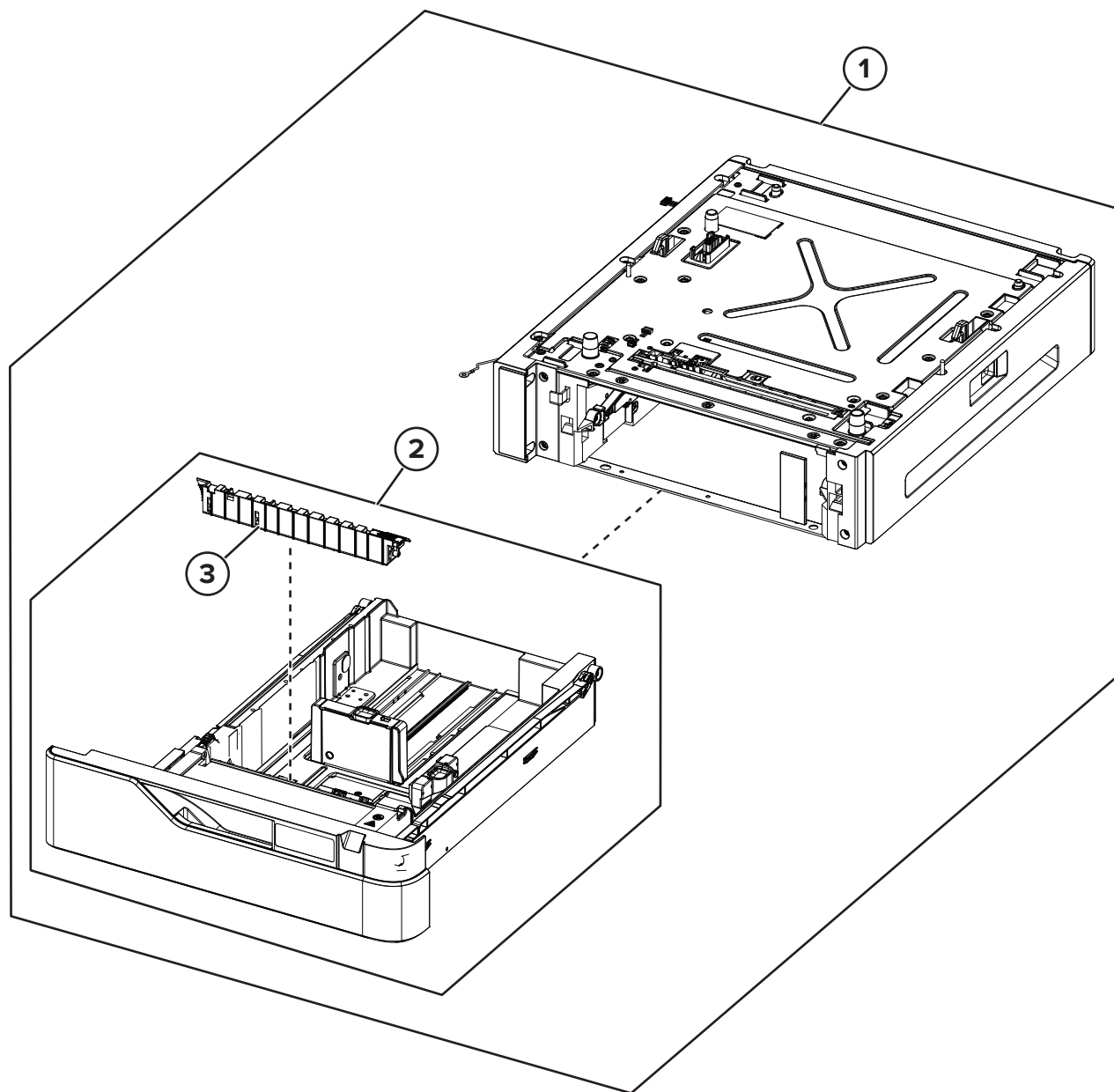
Asm-index	P/N	Units/mach	Units/FRU	Description	Removal procedure
1	41X1119	1	1	Separator pad	“Separator pad removal” on page 411
2	41X1118	1	1	Tray insert	“Tray insert removal” on page 411
3	41X1120	1	4	Paper size sensor actuator	--
4	41X2317	1	1	Feeder/paper path cable	--
5	41X1108	1	1	Tray 1 pick roller	“Pick roller removal” on page 412
6	41X1107	1	1	Paper feeder	“Paper feeder removal” on page 371
7	41X2319	1	1	Feeder/paper path cable	--

Assembly 13: Miscellaneous

Asm-index	P/N	Units/mach	Units/FRU	Description	Removal procedure
NS	40X8671	1	1	Cover, Removable HDD kit	--
NS	40X9934	1	1	Hard disk drive, SATA	--
NS	41X1026	1	1	Hard disk drive, USB	--
NS	41X1373	1	1	Hard disk drive, SATA with FIPS	--
NS	41X2033	1	1	RAM card, PCIe 8GB x32 DDP	--
NS	41X1010	1	1	User flash memory, 256MB	--
NS	41X1372	1	1	Wireless network card, N8370 with cable	--
NS	41X1374	1	1	Fax card, 1 port right angle	--
NS	40X4819	1	1	RS-232C serial interface card	--
NS	40X4826	1	1	MarkNet N8120 GigaBit Ethernet	--
NS	40X4823	1	1	Parallel 1284-B interface card	--
NS	40X9652	1	1	Adapter, Fiber gigabit ISP	--
NS	41X1011	1	1	Font card, Hebrew	--
NS	41X1012	1	1	Font card, Arabic	--
NS	41X1013	1	1	Font card, Simplified Chinese	--
NS	41X1014	1	1	Font card, Traditional Chinese	--
NS	41X1015	1	1	Font card, Korean	--
NS	41X1016	1	1	Font card, Japanese	--
NS	41X1002	1	1	Forms and bar code card	--
NS	41X1006	1	1	PRESCRIBE card	--
NS	41X1004	1	1	IPDS card	--
NS	41X2055	1	1	Smart card	--
NS	40X8737	1	1	Authentication device, RFID	--
NS	41X0997	1	1	Authentication device, Contact front	--
NS	41X0998	1	1	Authentication device, Contactless front	--
NS	41X0040	1	1	Keyboard kit, English	--
NS	41X0041	1	1	Keyboard kit, French	--
NS	41X0043	1	1	Keyboard kit, German	--
NS	41X0044	1	1	Keyboard kit, Spanish	--
NS	41X0045	1	1	Keyboard, English	--
NS	41X0046	1	1	Keyboard, French	--
NS	41X0048	1	1	Keyboard, German	--
NS	41X0049	1	1	Keyboard, Spanish	--

Asm-index	P/N	Units/mach	Units/FRU	Description	Removal procedure
NS	41X2302	1	1	Braille label kit	--
NS	41X0357	1	1	Surge protective device, 110–120V	--
NS	41X0370	1	1	Surge protective device, 220–240V	--
NS	3086579	1	1	Software CD Note: The part number is for internal use only and is not orderable.	--

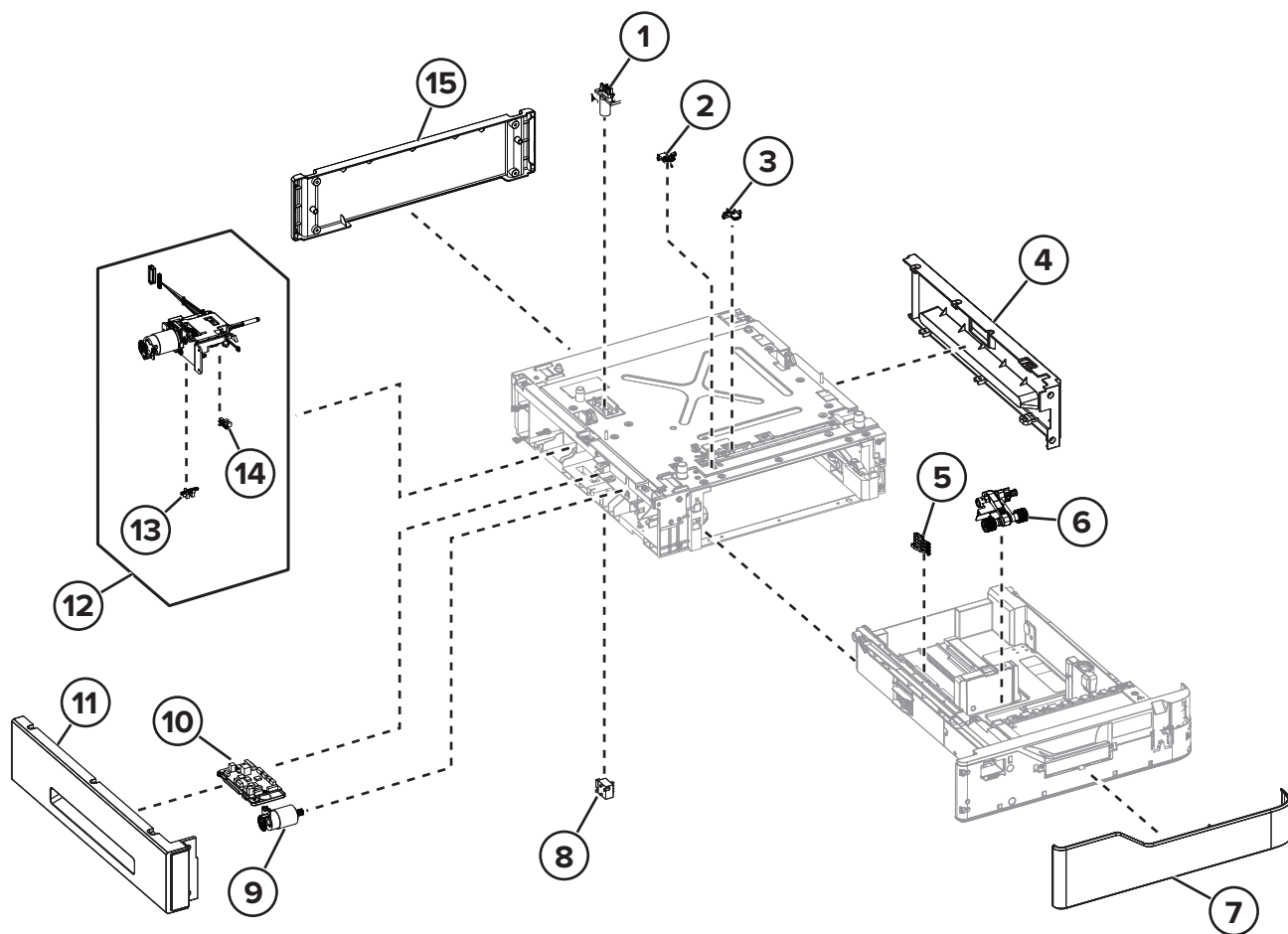
Assembly 14: 250- and 550-sheet tray options 1



Assembly 14: 250- and 550-sheet tray options 1

Asm-index	P/N	Units/mach	Units/FRU	Description	Removal procedure
1	41X1649	1	1	Optional 250-sheet tray	“Optional 250- and 550-sheet tray removal” on page 442
1	41X1658	1	1	Optional 550-sheet tray	“Optional 250- and 550-sheet tray removal” on page 442
1	41X2177	1	1	Optional 250-sheet tray, lockable	“Optional 250- and 550-sheet tray removal” on page 442
1	41X2179	1	1	Optional 550-sheet tray, lockable	“Optional 250- and 550-sheet tray removal” on page 442
2	41X1650	1	1	250-sheet tray insert	“Tray insert removal” on page 411
2	41X1118	1	1	550-sheet tray insert	“Tray insert removal” on page 411
3	41X1119	1	1	Separator pad	“Separator pad removal” on page 411
NS	41X2208	1	1	Tray level indicator	“Tray level indicator removal” on page 450

Assembly 15: 250- and 550-sheet tray options 2

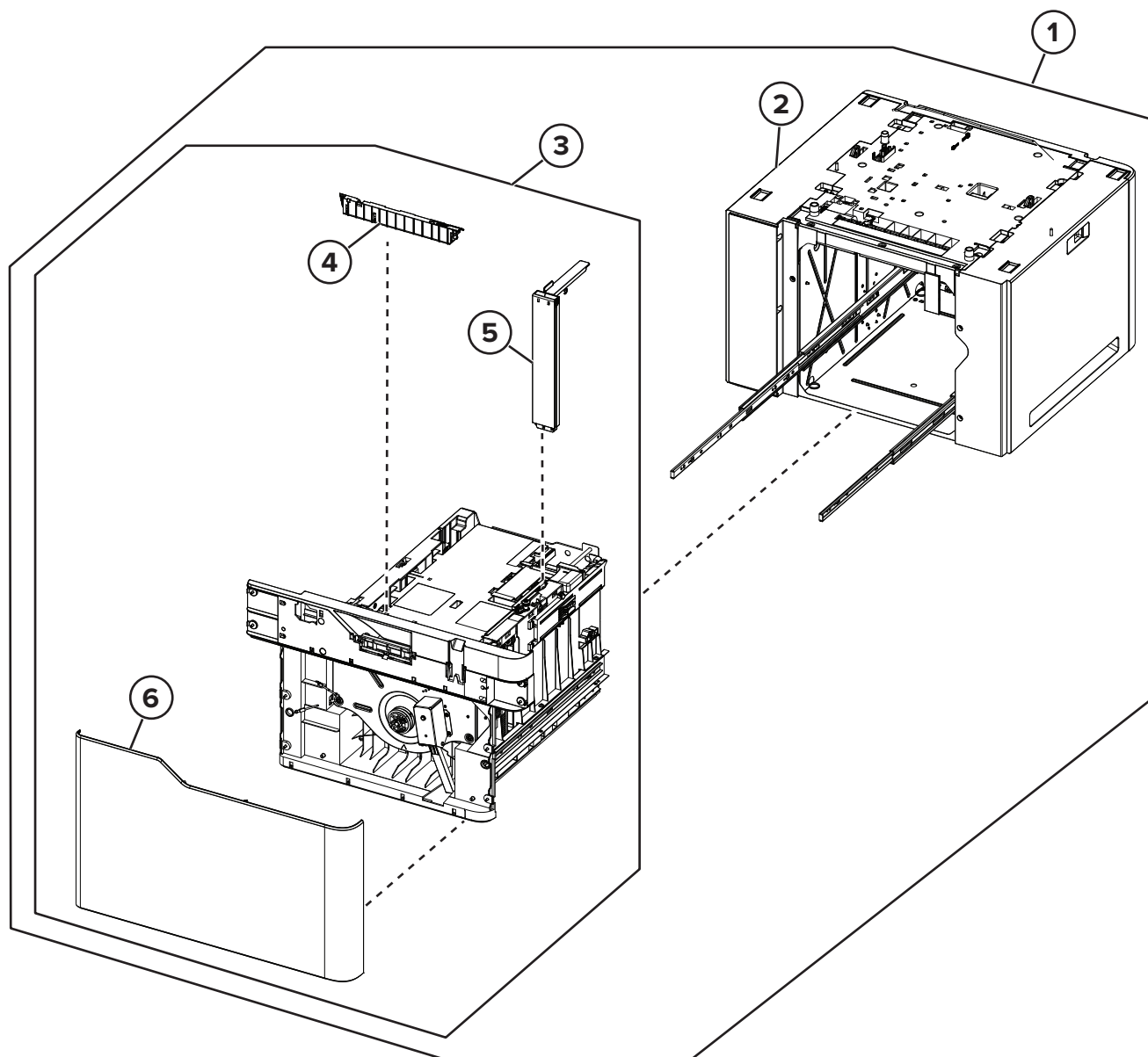


Assembly 15: 250- and 550-sheet tray options 2

Asm-index	P/N	Units/mach	Units/FRU	Description	Removal procedure
1	41X1655	1	1	Interface cable	“250- and 550-sheet tray interface cable removal” on page 457
2	41X1093	1	1	Sensor (pick)	“Sensor (250- and 550-sheet tray pick) removal” on page 454
3	41X1094	1	1	Sensor (pass-through)	“Sensor (250- and 550-sheet tray pass-through) removal” on page 454
4	41X1653	1	1	Right cover (optional 250-sheet tray)	“250- and 550-sheet tray right cover removal” on page 445
4	41X1661	1	1	Right cover (optional 550-sheet tray)	“250- and 550-sheet tray right cover removal” on page 445
5	41X1120	1	1	Paper size sensor actuator	“250- and 550-sheet tray paper size sensor actuator removal” on page 460
6	41X1108	1	1	Pick roller	“Pick roller removal” on page 450
7	41X1651	1	1	Front cover (250-sheet tray insert)	“250- and 550-sheet tray insert front cover removal” on page 449
7	41X2304	1	1	Front cover (550-sheet tray insert)	“250- and 550-sheet tray insert front cover removal” on page 449
8	40X7911	1	1	Sensor (paper size)	“Sensor (250- and 550-sheet tray paper size) removal” on page 459
9	41X1656	1	1	Motor (transport)	“Motor (250- and 550-sheet tray transport) removal” on page 451
10	41X1657	1	1	Controller board (optional 250-sheet tray)	“250- and 550-sheet tray controller board removal” on page 453
10	41X2194	1	1	Controller board (optional 550-sheet tray)	“250- and 550-sheet tray controller board removal” on page 453
11	41X1652	1	1	Left cover (optional 250-sheet tray)	“250- and 550-sheet tray left cover removal” on page 443
11	41X1660	1	1	Left cover (optional 550-sheet tray)	“250- and 550-sheet tray left cover removal” on page 443
12	41X1107	1	1	Paper feeder	“250- and 550-sheet tray paper feeder removal” on page 451
13	41X1083	1	1	Sensor (paper present)	“Sensor (250- and 550-sheet tray paper present) removal” on page 456
14	41X1083	1	1	Sensor (pick roller index)	“Sensor (250- and 550-sheet tray pick roller index) removal” on page 455
15	41X1654	1	1	Rear cover (optional 250-sheet tray)	“250- and 550-sheet tray rear cover removal” on page 448

Asm-index	P/N	Units/mach	Units/FRU	Description	Removal procedure
15	41X1662	1	1	Rear cover (optional 550-sheet tray)	“250- and 550-sheet tray rear cover removal” on page 448

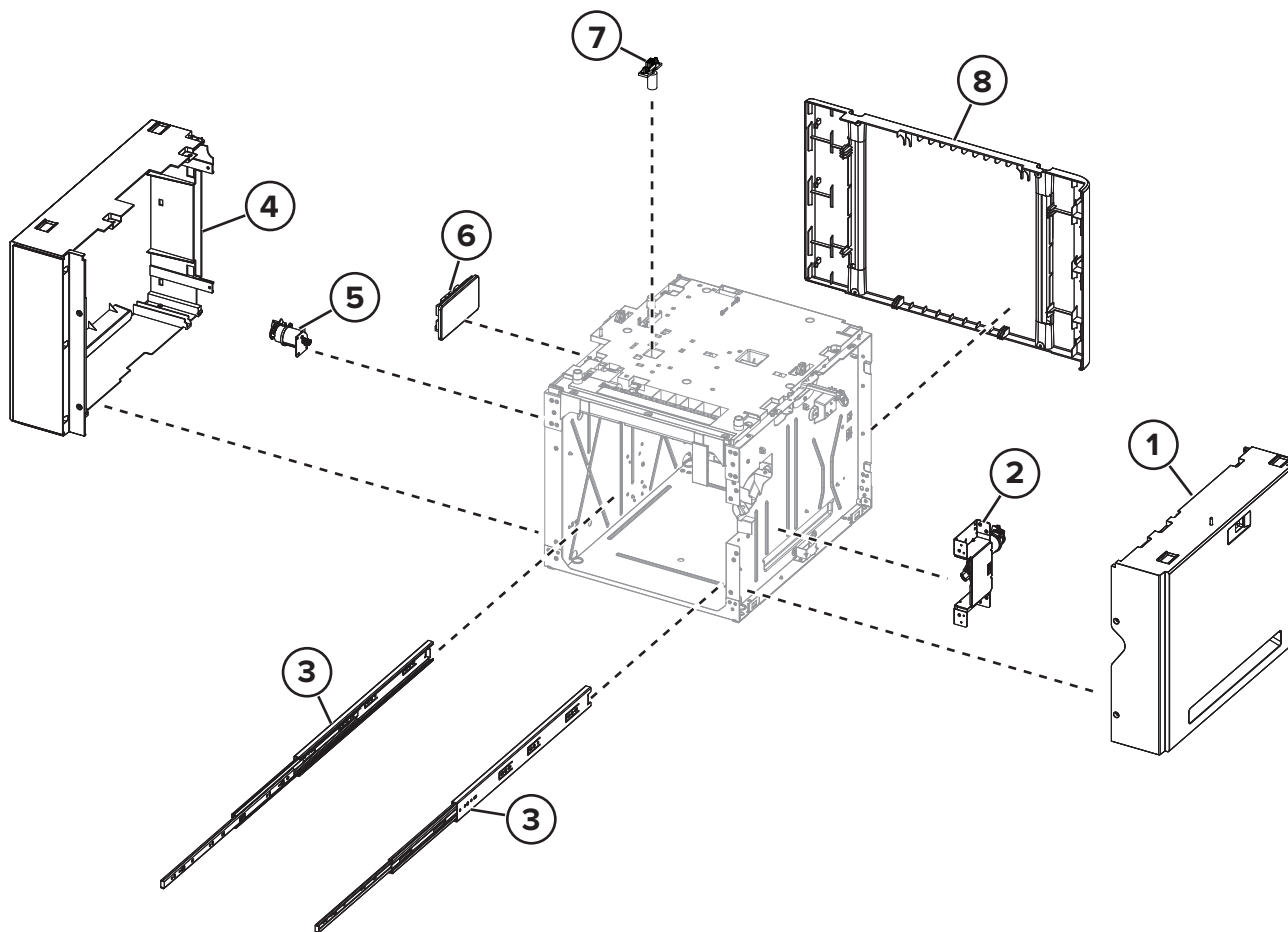
Assembly 16: 2100-sheet tray option 1



Assembly 16: 2100-sheet tray option 1

Asm-index	P/N	Units/mach	Units/FRU	Description	Removal procedure
1	41X1669	1	1	Optional 2100-sheet tray	“Optional 2100-sheet tray removal” on page 417
2	41X1673	1	1	2100-sheet tray base	“2100-sheet tray insert removal” on page 419
3	41X1670	1	1	2100-sheet tray insert	“2100-sheet tray insert removal” on page 419
4	41X1119	1	1	Separator pad	“Separator pad removal” on page 411
5	40X8176	1	1	A5 length guide	--
6	41X1675	1	1	2100-sheet tray front cover	“2100-sheet tray front cover removal” on page 429
NS	41X2208	1	1	Tray level indicator	--

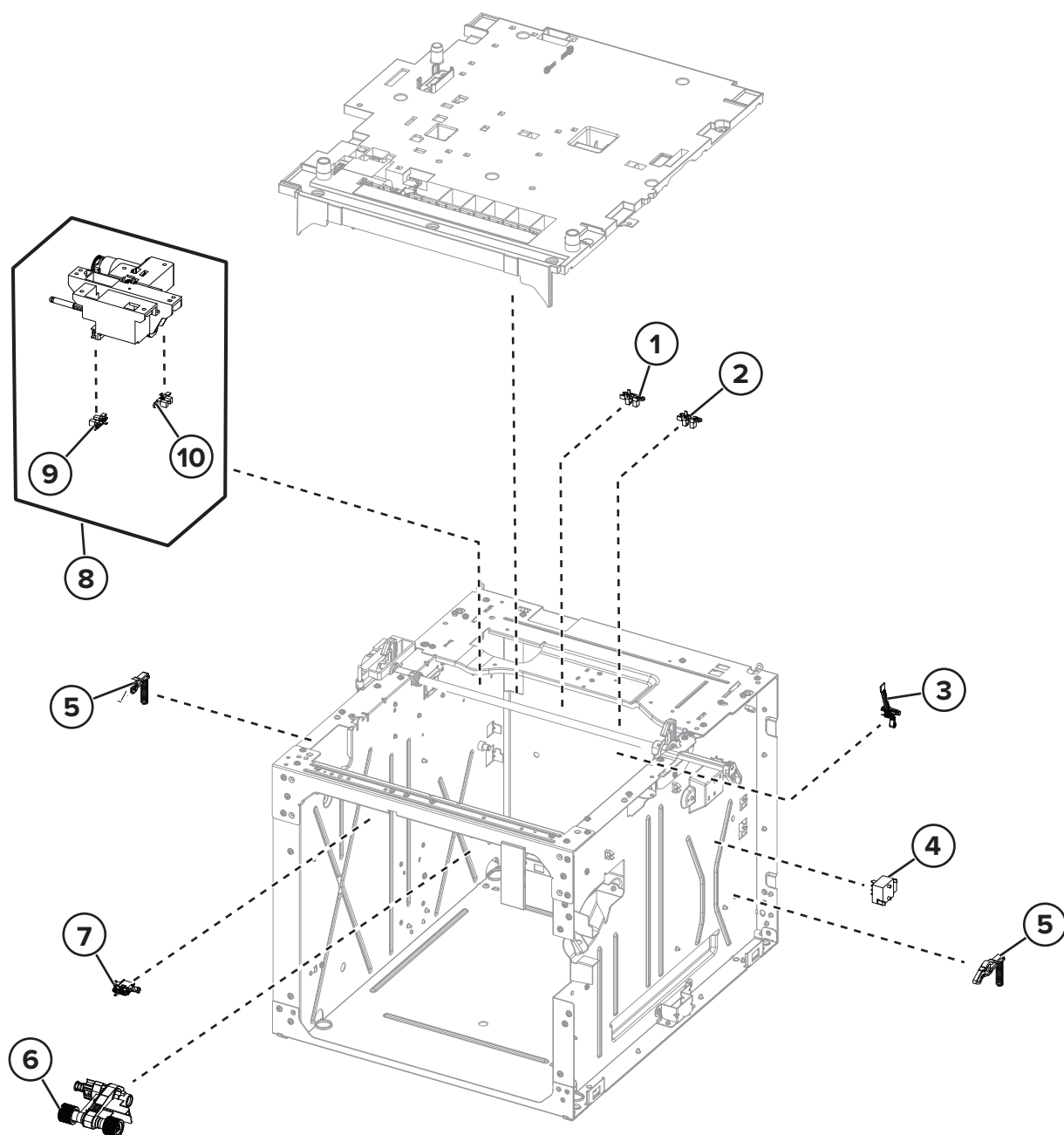
Assembly 17: 2100-sheet tray option 2



Assembly 17: 2100-sheet tray option 2

Asm-index	P/N	Units/mach	Units/FRU	Description	Removal procedure
1	41X1677	1	1	2100-sheet tray right cover	“2100-sheet tray right cover removal” on page 423
2	41X1687	1	1	2100-sheet tray elevator drive	“2100-sheet tray elevator drive removal” on page 431
3	40X4593	2	1	Tray rails	“2100-sheet tray rails removal” on page 436
4	41X1676	1	1	2100-sheet tray left cover	“2100-sheet tray left cover removal” on page 420
5	41X1686	1	1	Motor (2100-sheet tray transport)	“Motor (2100-sheet tray transport) removal” on page 425
6	41X1684	1	1	2100-sheet tray controller board	“2100-sheet tray controller board removal” on page 430
7	41X1685	1	1	2100-sheet tray interface cable	“2100-sheet tray interface cable removal” on page 433
8	41X1678	1	1	2100-sheet tray rear cover	“2100-sheet tray rear cover removal” on page 420

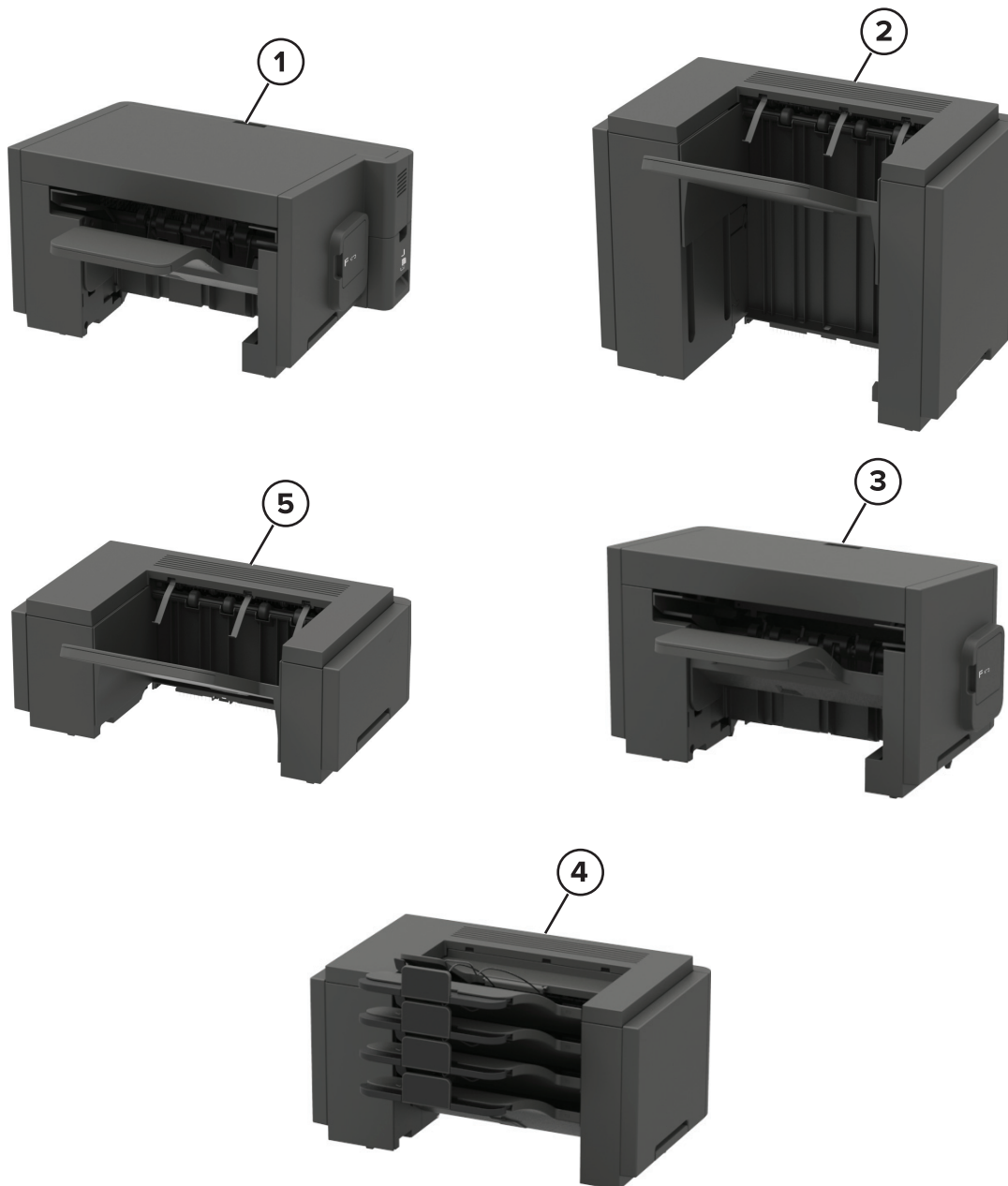
Assembly 18: 2100-sheet tray option 3



Assembly 18: 2100-sheet tray option 3

Asm-index	P/N	Units/mach	Units/FRU	Description	Removal procedure
1	41X1083	1	1	Sensor (2100-sheet tray near empty)	“Sensor (2100-sheet tray near empty) removal” on page 437
2	41X1083	1	1	Sensor (2100-sheet tray A5 length guide)	“Sensor (2100-sheet tray A5 length guide) removal” on page 438
3	40X8177	1	1	2100-sheet tray elevator sensor actuator	--
4	40X7911	1	1	Sensor (2100-sheet tray paper size)	“Sensor (2100-sheet tray paper size) removal” on page 432
5	40X4585	2	1	2100-sheet tray bellcrank	“2100-sheet tray bellcrank removal” on page 435
6	41X1108	1	1	2100-sheet tray pick roller	--
7	41X1094	1	1	Sensor (2100-sheet tray pick)	“Sensor (2100-sheet tray pick) removal” on page 430
8	41X1683	1	1	2100-sheet tray paper feeder	“2100-sheet tray paper feeder removal” on page 440
9	41X1083	1	1	Sensor (2100-sheet tray pick roller index)	“Sensor (2100-sheet tray pick roller index) removal” on page 438
10	41X1083	1	1	Sensor (2100-sheet tray paper present)	“Sensor (2100-sheet tray paper present) removal” on page 439

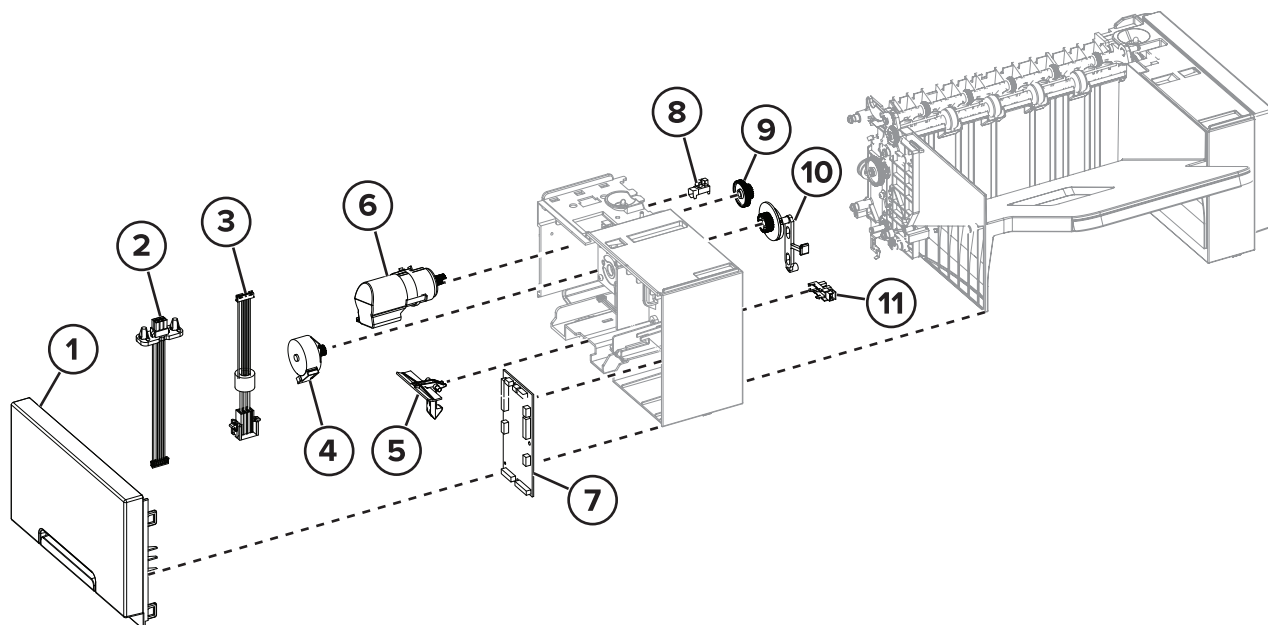
Assembly 19: Optional bins



Assembly 19: Optional bins

Asm-index	P/N	Units/mach	Units/FRU	Description	Removal procedure
1	41X1693	1	1	Optional staple, hole punch finisher	“Optional staple, hole punch finisher removal” on page 645
2	41X1696	1	1	Optional high capacity output expander	“Optional high capacity output expander removal” on page 492
3	41X1691	1	1	Optional staple finisher	“Optional staple finisher removal” on page 528
4	41X1694	1	1	Optional 4-bin mailbox	“Optional 4-bin mailbox removal” on page 595
5	41X1695	1	1	Optional output expander	“Optional output expander removal” on page 463

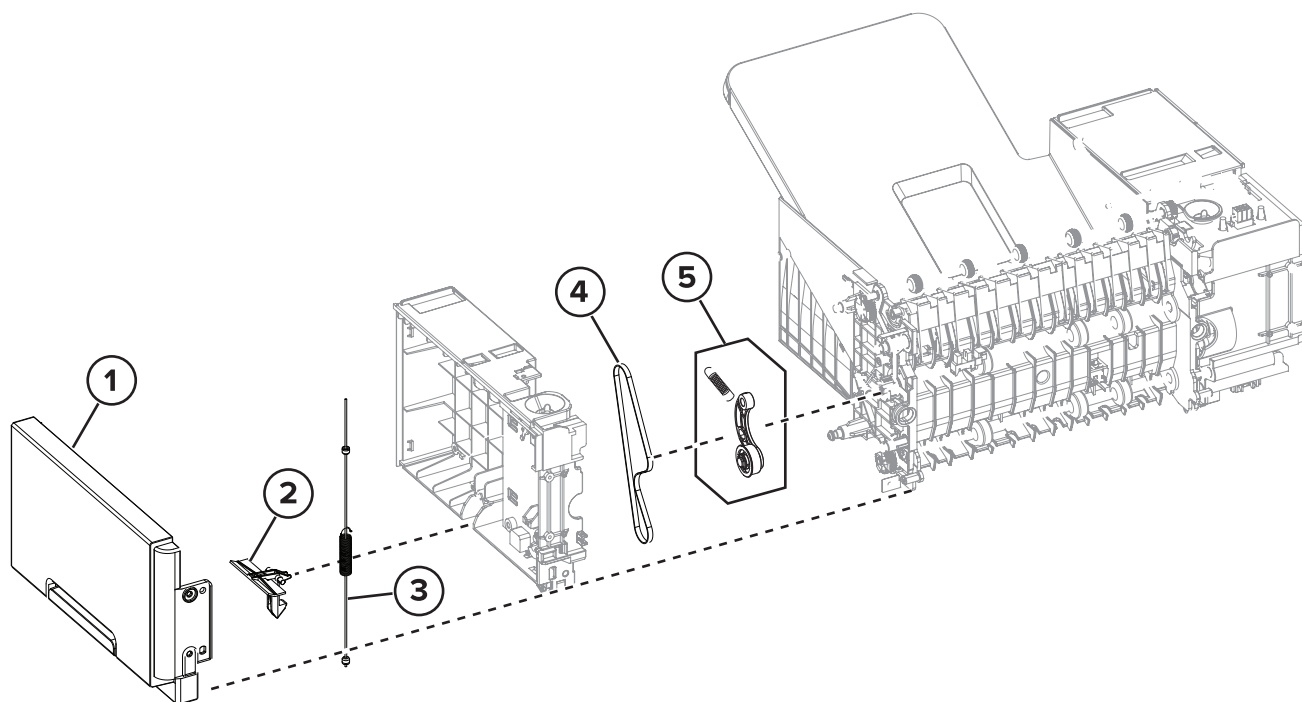
Assembly 20: Output expander 1



Assembly 20: Output expander 1

Asm-index	P/N	Units/mach	Units/FRU	Description	Removal procedure
1	40X8190	1	1	Output expander left cover	“Output expander left cover removal” on page 469
2	40X8206	1	1	Output expander upper interface cable	“Output expander upper interface cable removal” on page 472
3	40X8205	1	1	Output expander lower interface cable	“Output expander lower interface cable removal” on page 472
4	40X8256	1	1	Motor (OE diverter)	“Motor (OE diverter) removal” on page 476
5	40X8721	2	1	Output expander latch	“Output expander latch removal” on page 475
6	40X8714	1	1	Motor (OE transport)	“Motor (OE transport) removal” on page 479
7	40X8199	1	1	Output expander controller board	“Output expander controller board removal” on page 471
8	40X7592	1	1	Sensor (OE rear door interlock)	“Sensor (OE rear door interlock) removal” on page 481
9	40X8726	1	1	Output expander drive gear	“Output expander drive gear removal” on page 478
10	40X8722	1	1	Output expander diverter plunger assembly	“Output expander diverter plunger assembly removal” on page 476
11	40X7592	1	1	Sensor (OE diverter plunger)	“Sensor (OE diverter plunger) removal” on page 483

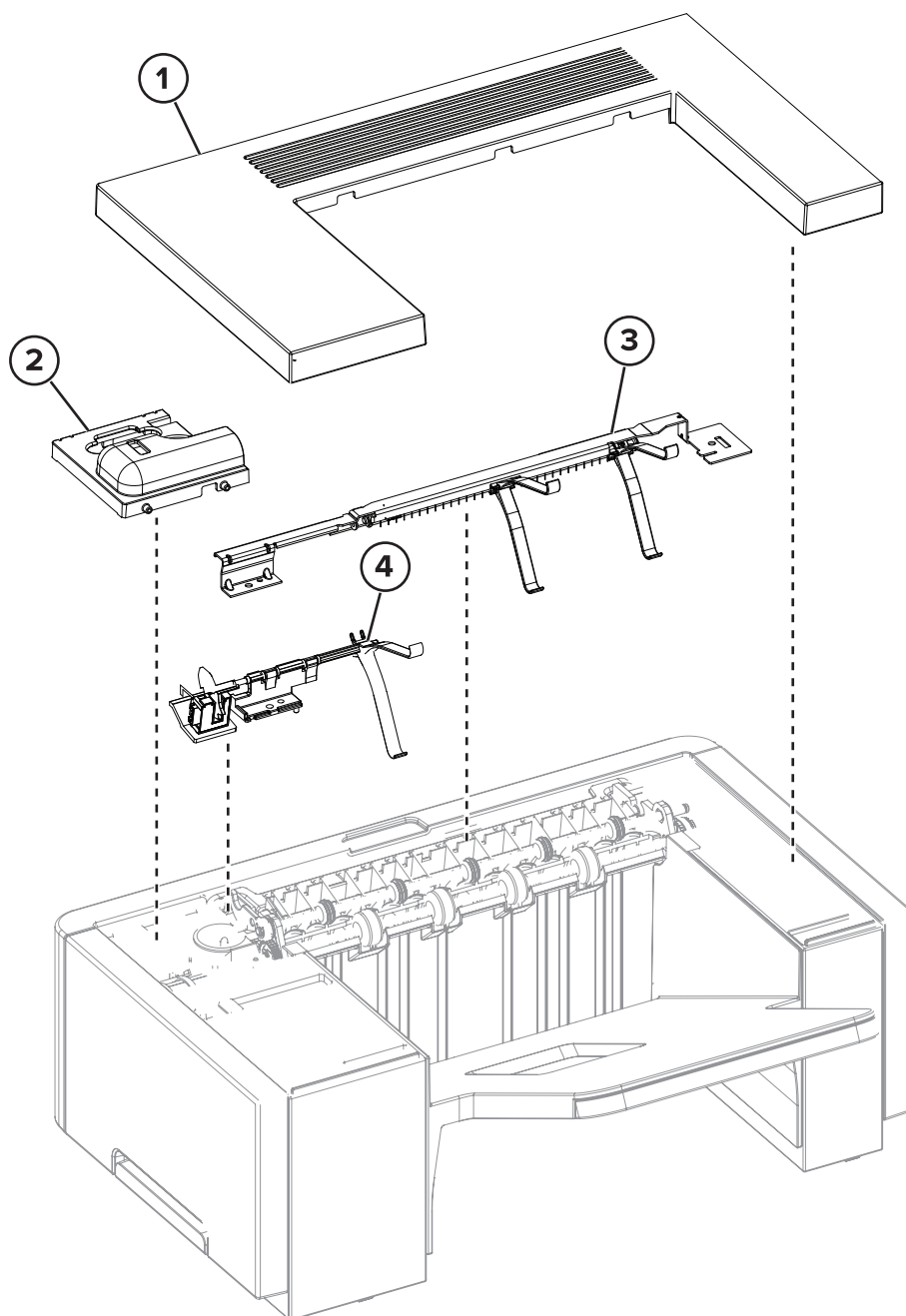
Assembly 21: Output expander 2



Assembly 21: Output expander 2

Asm-index	P/N	Units/mach	Units/FRU	Description	Removal procedure
1	40X8187	1	1	Output expander right cover	“Output expander right cover removal” on page 467
2	40X8721	2	1	Output expander latch	“Output expander latch removal” on page 475
3	41X2193	1	1	Output expander spring with string	“Output expander spring with string removal” on page 474
4	40X8732	1	1	Output expander drive belt	“Output expander drive belt removal” on page 487
5	40X8718	1	1	Output expander belt tensioner	“Output expander belt tensioner removal” on page 487

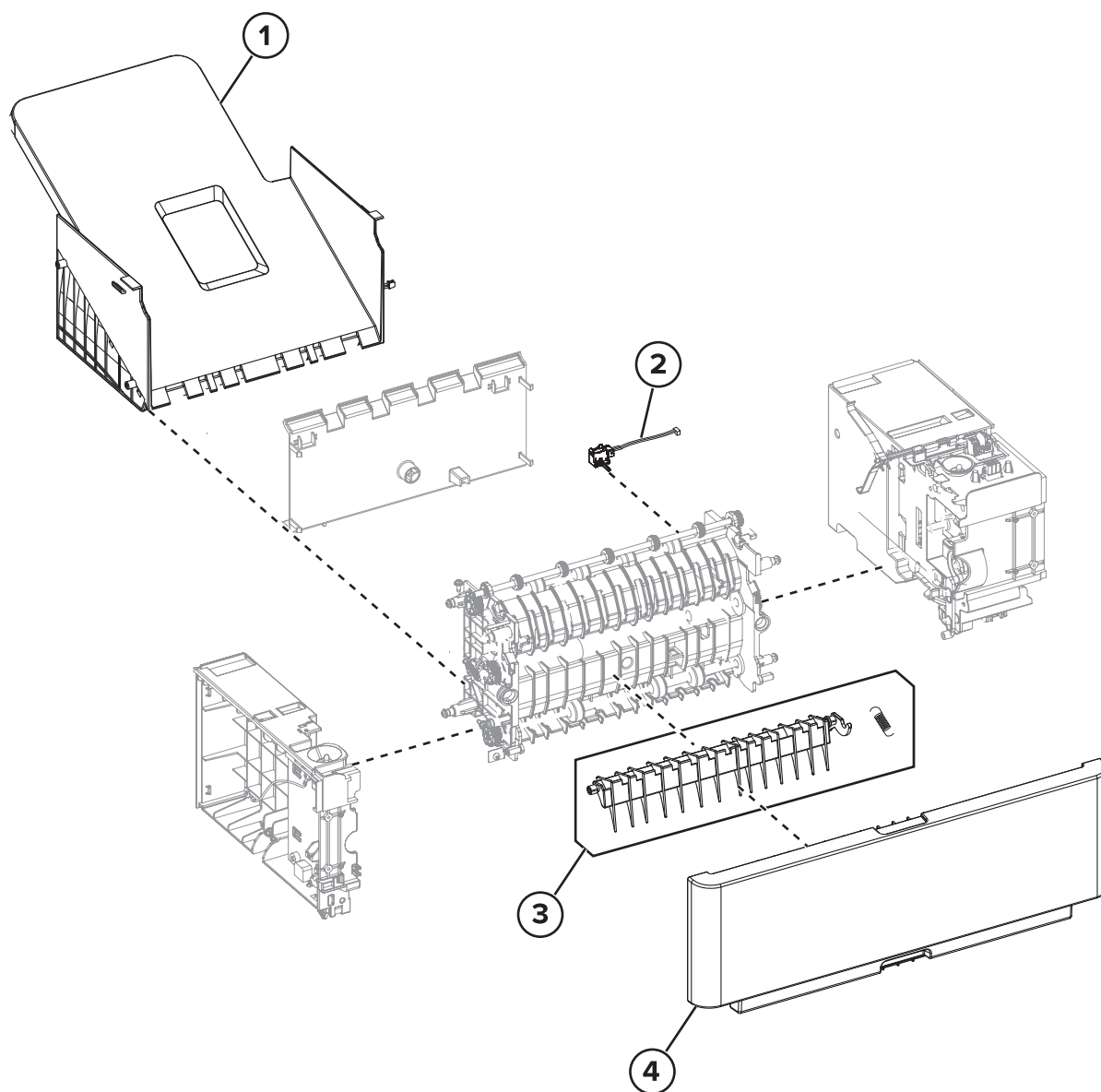
Assembly 22: Output expander 3



Assembly 22: Output expander 3

Asm-index	P/N	Units/mach	Units/FRU	Description	Removal procedure
1	40X8196	1	1	Output expander top cover	“Output expander top cover removal” on page 463
2	40X8715	1	1	Output expander sensor cover	“Output expander sensor cover removal” on page 466
3	40X8712	1	1	Output expander bin full flag	“Output expander bin full flag removal” on page 466
4	40X8191	1	1	Sensor (OE bin full) with flag	“Sensor (OE bin full) with flag removal” on page 466

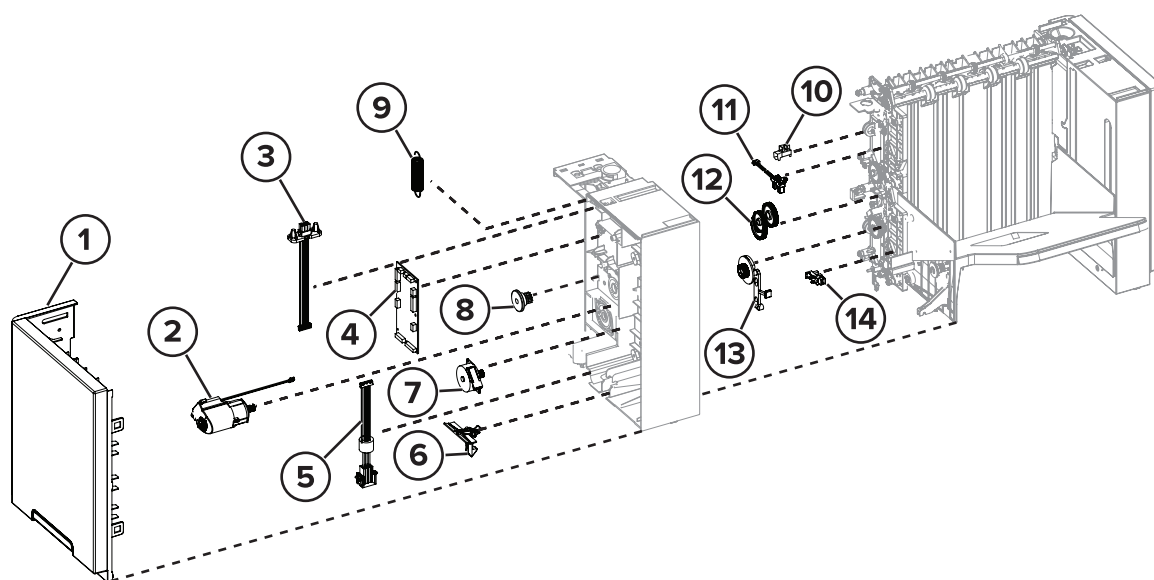
Assembly 23: Output expander 4



Assembly 23: Output expander 4

Asm-index	P/N	Units/mach	Units/FRU	Description	Removal procedure
1	40X8717	1	1	Output expander bin	“Output expander bin removal” on page 488
2	40X8729	1	1	Sensor (OE pass-through)	“Sensor (OE pass-through) removal” on page 489
3	40X8713	1	1	Output expander diverter	“Output expander diverter removal” on page 485
4	41X1868	1	1	Output expander rear door	“Output expander rear door removal” on page 464

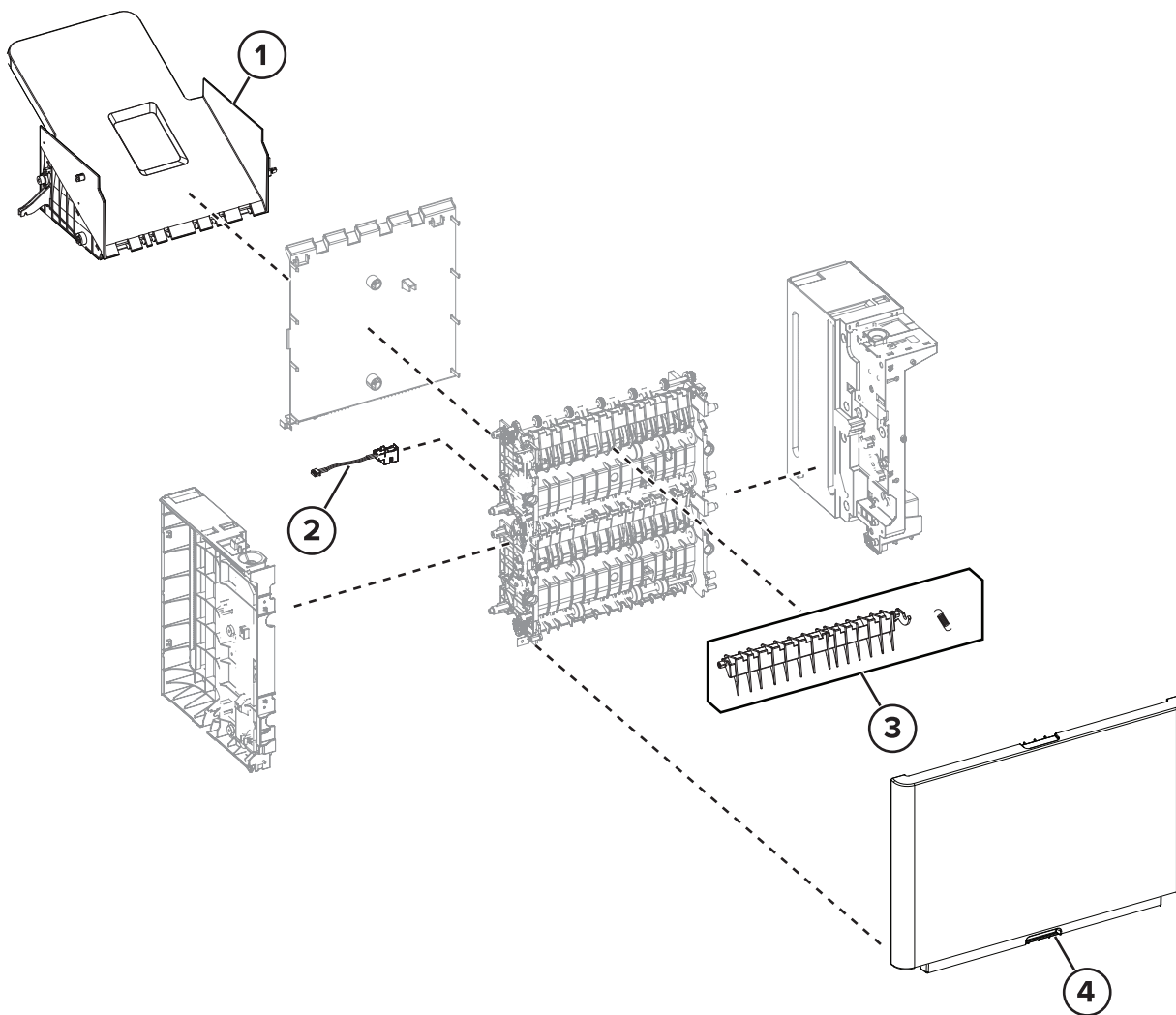
Assembly 24: High capacity output expander 1



Assembly 24: High capacity output expander 1

Asm-index	P/N	Units/mach	Units/FRU	Description	Removal procedure
1	40X8202	1	1	HCOE left cover	“HCOE left cover removal” on page 497
2	40X8730	1	1	Motor (HCOE transport)	“Motor (HCOE transport) removal” on page 515
3	40X8206	1	1	HCOE upper interface cable	“HCOE upper interface cable removal” on page 501
4	40X8199	1	1	HCOE controller board	“HCOE controller board removal” on page 499
5	40X8205	1	1	HCOE lower interface cable	“HCOE lower interface cable removal” on page 500
6	40X8721	2	1	HCOE latch	“HCOE latch removal” on page 501
7	40X8256	1	1	Motor (HCOE diverter)	“Motor (HCOE diverter) removal” on page 503
8	40X8731	2	1	HCOE bin pinion	“HCOE bin pinion removal” on page 505
9	40X8733	2	1	HCOE bin spring	“HCOE bin spring removal” on page 504
10	40X7592	1	1	Sensor (HCOE rear door interlock)	“Sensor (HCOE rear door interlock) removal” on page 506
11	40X8728	1	1	Sensor (HCOE bin)	“Sensor (HCOE bin) removal” on page 503
12	40X8726	1	1	HCOE drive gear assembly	“HCOE drive gear assembly removal” on page 513
13	40X8722	1	1	HCOE diverter plunger assembly	“HCOE diverter plunger assembly removal” on page 511
14	40X7592	1	1	Sensor (HCOE diverter)	“Sensor (HCOE diverter) removal” on page 517

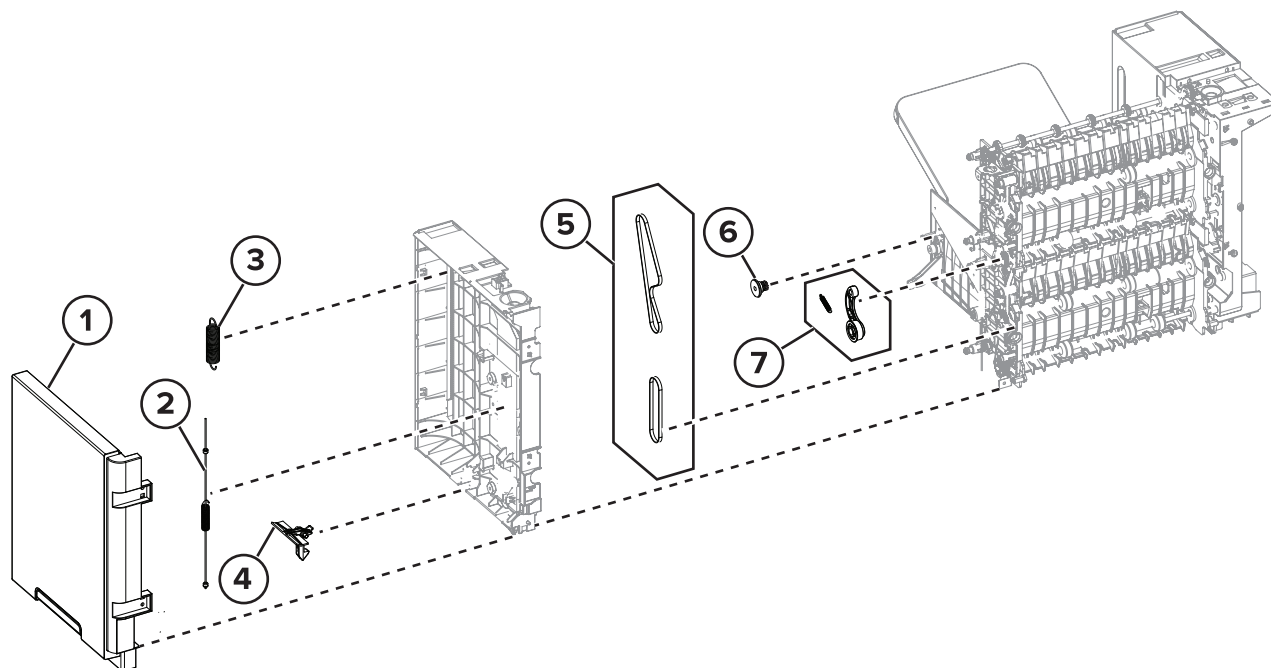
Assembly 25: High capacity output expander 2



Assembly 25: High capacity output expander 2

Asm-index	P/N	Units/mach	Units/FRU	Description	Removal procedure
1	40X8727	1	1	HCOE bin	“HCOE bin removal” on page 522
2	40X8729	1	1	Sensor (HCOE pass-through)	“Sensor (HCOE pass-through) removal” on page 525
3	40X8713	1	1	HCOE top diverter	“HCOE top diverter removal” on page 520
4	41X1896	1	1	HCOE rear door	“HCOE rear door removal” on page 493

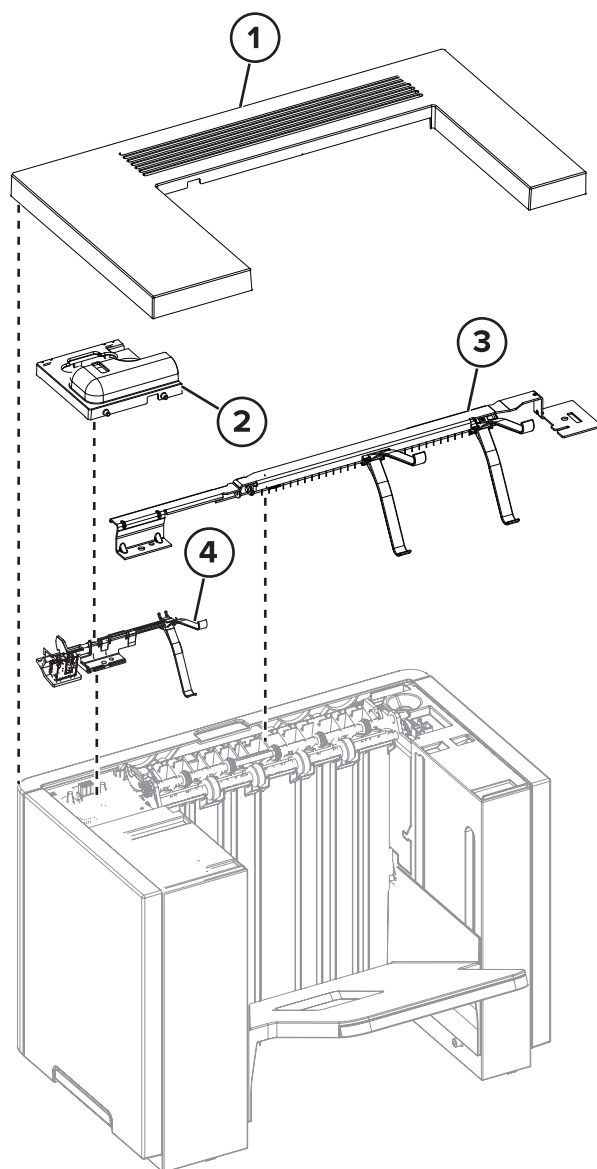
Assembly 26: High capacity output expander 3



Assembly 26: High capacity output expander 3

Asm-index	P/N	Units/mach	Units/FRU	Description	Removal procedure
1	40X8198	1	1	HCOE right cover	“HCOE right cover removal” on page 496
2	40X8192	1	1	HCOE spring with string	--
3	40X8733	2	1	HCOE bin spring	“HCOE bin spring removal” on page 504
4	40X8721	2	1	HCOE latch	“HCOE latch removal” on page 501
5	40X8732	1	1	HCOE drive belt	“HCOE drive belt removal” on page 508
6	40X8731	2	1	HCOE bin pinion	“HCOE bin pinion removal” on page 505
7	40X8718	1	1	HCOE belt tensioner	“HCOE belt tensioner removal” on page 510

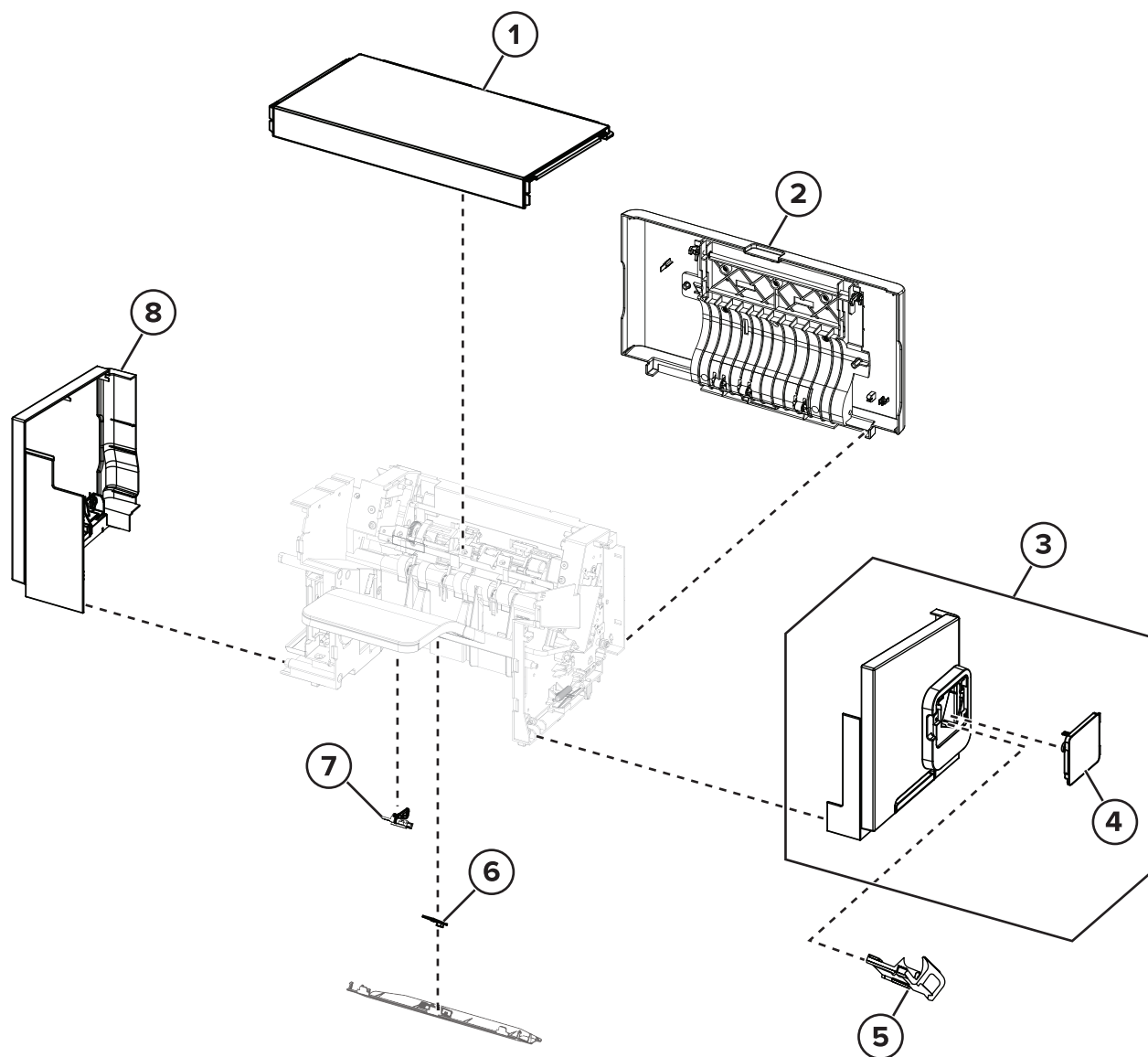
Assembly 27: High capacity output expander 4



Assembly 27: High capacity output expander 4

Asm-index	P/N	Units/mach	Units/FRU	Description	Removal procedure
1	40X8196	1	1	HCOE top cover	“HCOE top cover removal” on page 492
2	40X8715	1	1	HCOE sensor cover	“HCOE sensor cover removal” on page 494
3	40X8712	1	1	HCOE bin full flag	“HCOE bin full flag removal” on page 495
4	40X8191	1	1	Sensor (HCOE bin full) with flag	“Sensor (HCOE bin full) with flag removal” on page 495

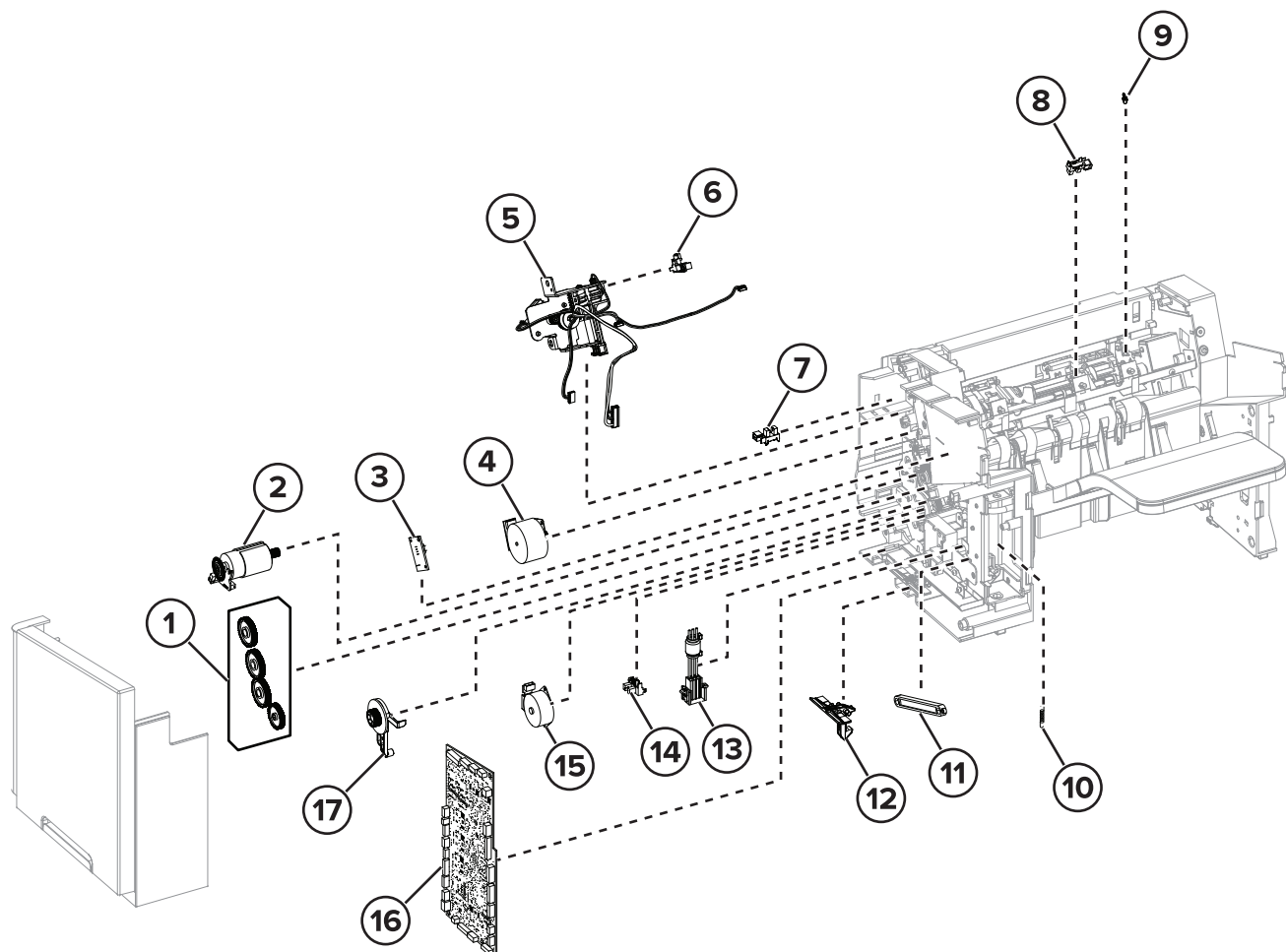
Assembly 28: Staple finisher 1



Assembly 28: Staple finisher 1

Asm-index	P/N	Units/mach	Units/FRU	Description	Removal procedure
1	40X8222	1	1	Staple finisher top cover	“Staple finisher top cover removal” on page 535
2	41X2169	1	1	Staple finisher rear door	“Staple finisher rear door removal” on page 529
3	41X1698	1	1	Staple finisher right cover	“Staple finisher right cover removal” on page 533
4	41X1701	1	1	Staple cartridge access door	“Staple cartridge access door removal” on page 591
5	40X7466	1	1	Staple cartridge holder	“Staple cartridge holder removal” on page 651
6	41X1704	1	1	Standard bin LED	“Standard bin LED removal” on page 549
7	41X1238	1	1	Sensor (finisher bin paper present)	“Sensor (staple finisher bin paper present) removal” on page 550
8	41X1715	1	1	Staple finisher left cover	“Staple finisher left cover removal” on page 531

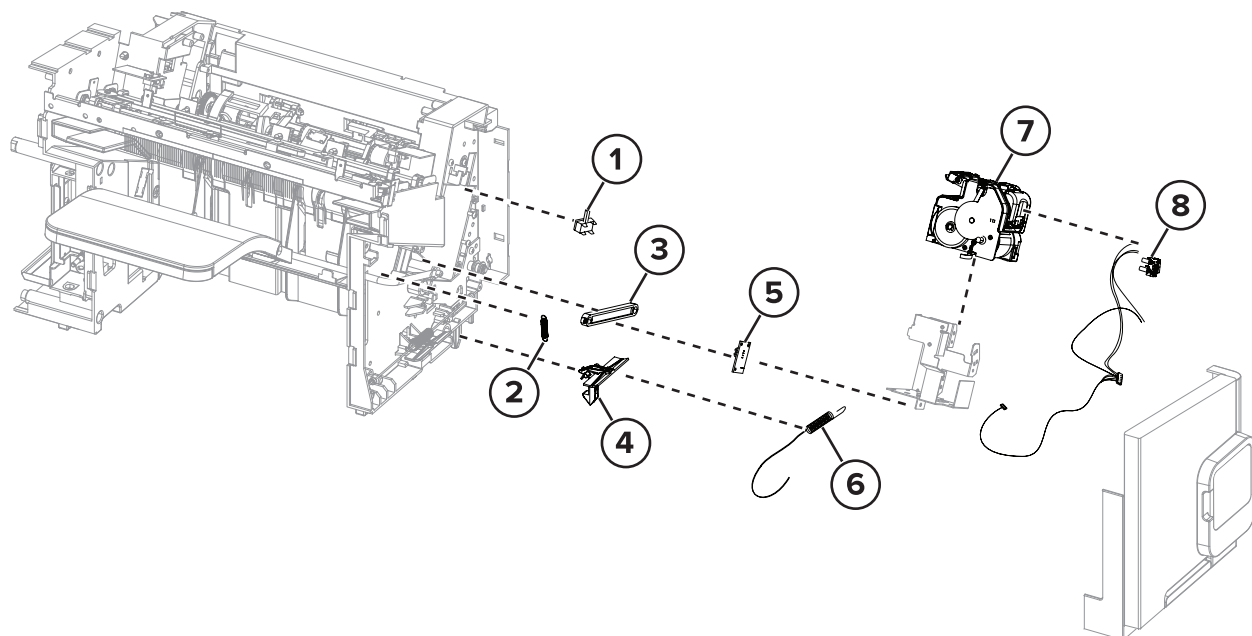
Assembly 29: Staple finisher 2



Assembly 29: Staple finisher 2

Asm-index	P/N	Units/mach	Units/FRU	Description	Removal procedure
1	41X2175	1	1	Staple finisher drive gear assembly	“Staple finisher drive gear assembly removal” on page 551
2	41X0529	1	1	Motor (staple finisher transport)	“Motor (staple finisher transport) removal” on page 546
3	41X0802	1	1	Sensor (staple finisher bin full)	“Sensor (staple finisher bin full send) removal” on page 555 and “Sensor (staple finisher bin full receive) removal” on page 556
4	40X8213	1	1	Motor (staple finisher paddle)	“Motor (staple finisher paddle) removal” on page 539
5	41X2187	1	1	Staple finisher stack height assembly	“Staple finisher stack height assembly removal” on page 576
6	41X0798	1	1	Sensor (staple finisher stack height)	--
7	41X1238	1	1	Sensor (staple finisher rear door interlock)	“Sensor (staple finisher rear door interlock) removal” on page 559
8	41X1238	1	1	Sensor (staple finisher paddle)	“Sensor (staple finisher paddle) removal” on page 565
9	41X2192	1	1	Paddle spring	--
10	40X8742	2	1	Staple finisher bin spring	“Staple finisher bin spring removal” on page 560
11	40X8744	2	1	Staple finisher bin link assembly	“Staple finisher bin link assembly removal” on page 561
12	40X8721	2	1	Staple finisher latch	“Staple finisher latch removal” on page 563
13	40X8224	1	1	Staple finisher interface cable	“Staple finisher interface cable removal” on page 542
14	41X0798	1	1	Sensor (staple finisher diverter plunger)	“Sensor (staple finisher diverter plunger) removal” on page 546
15	40X8256	1	1	Motor (staple finisher diverter)	“Motor (staple finisher diverter) removal” on page 545
16	41X2279	1	1	Staple finisher controller board	“Staple finisher controller board removal” on page 537
17	40X8722	1	1	Staple finisher diverter plunger assembly	“Staple finisher diverter plunger assembly removal” on page 551

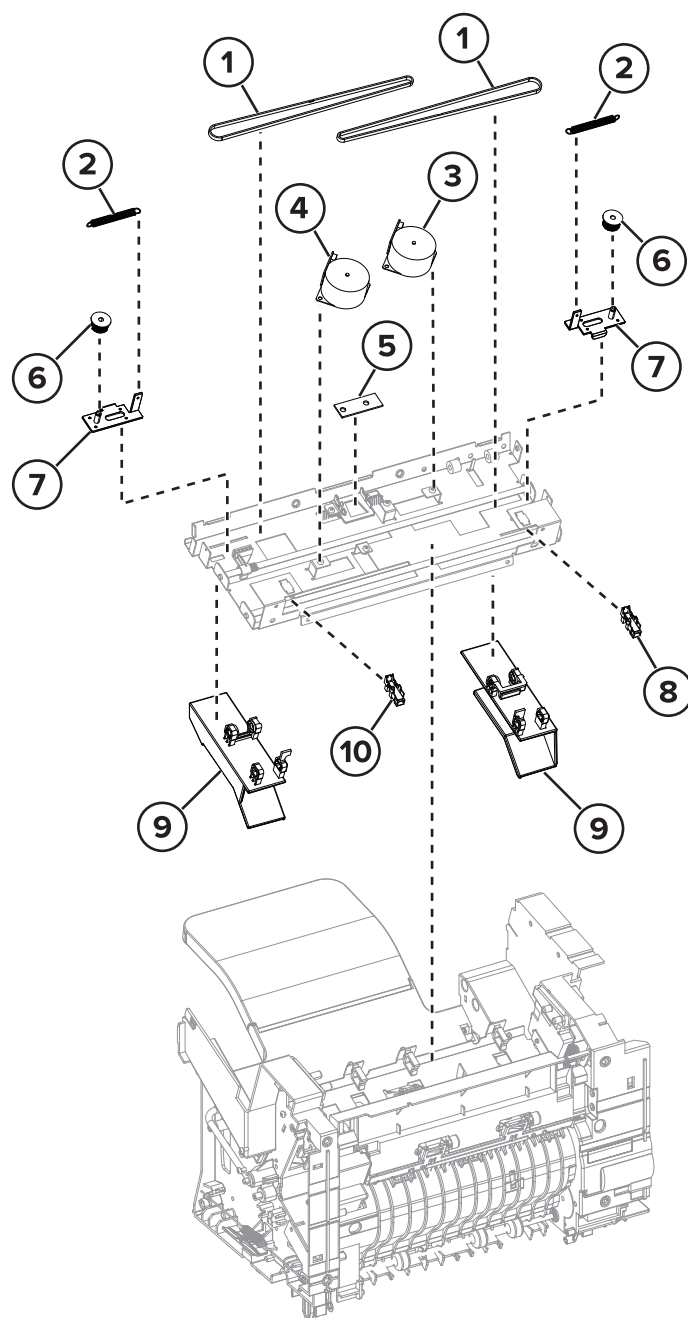
Assembly 30: Staple finisher 3



Assembly 30: Staple finisher 3

Asm-index	P/N	Units/mach	Units/FRU	Description	Removal procedure
1	40X8745	1	1	Sensor (staple throat paper present)	“Sensor (staple throat paper present) removal” on page 591
2	40X8742	2	1	Staple finisher bin spring	“Staple finisher bin spring removal” on page 560
3	40X8744	2	1	Staple finisher bin link assembly	“Staple finisher bin link assembly removal” on page 561
4	40X8721	2	1	Staple finisher latch	“Staple finisher latch removal” on page 563
5	41X0802	1	1	Sensor (staple finisher bin full send)	“Sensor (staple finisher bin full send) removal” on page 555
6	40X8226	1	1	Staple finisher spring with string	“Staple finisher spring with string removal” on page 564
7	41X0654	1	1	Staple unit	“Staple unit removal” on page 539
8	41X2198	1	1	Staple cartridge door close limit switch	“Staple cartridge door close limit switch removal” on page 594

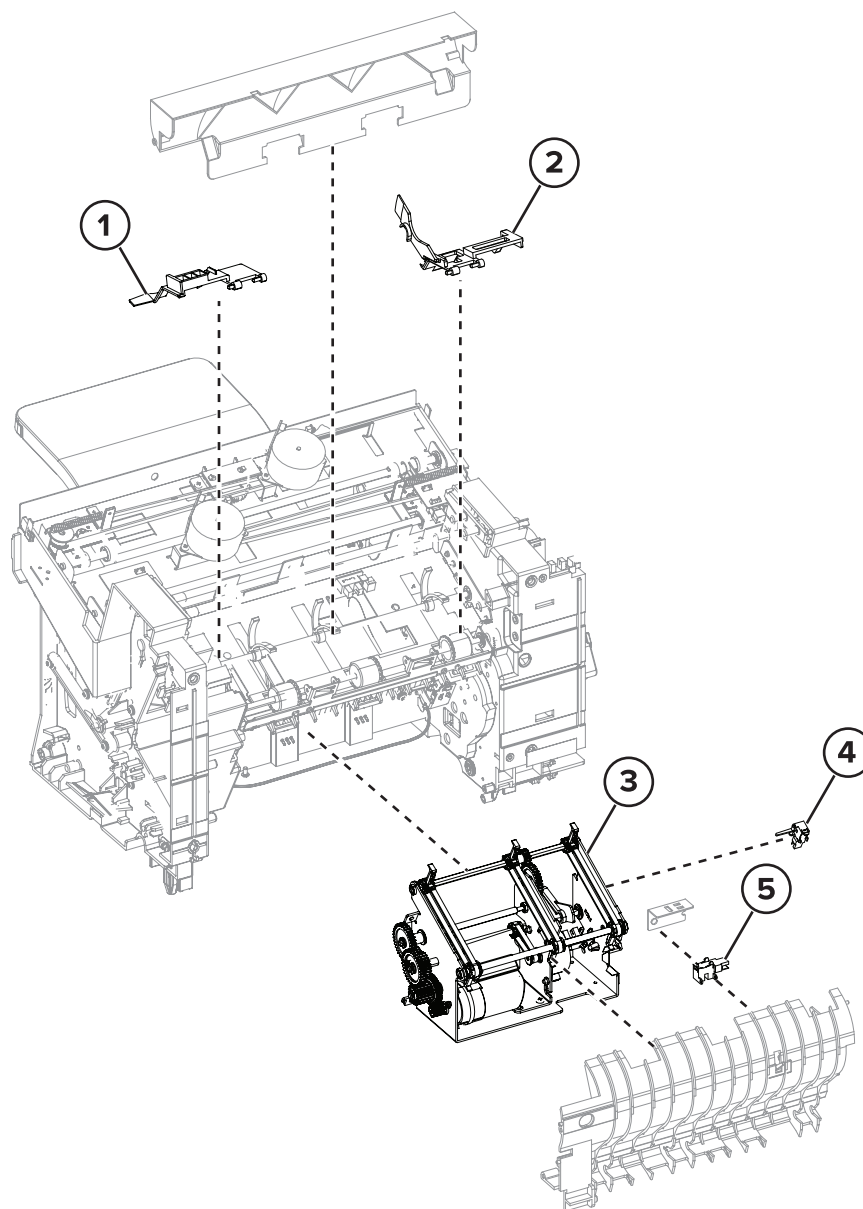
Assembly 31: Staple finisher 4



Assembly 31: Staple finisher 4

Asm-index	P/N	Units/mach	Units/FRU	Description	Removal procedure
1	40X8212	2	1	Tamper drive belt	“Tamper drive belt removal” on page 567
2	41X1705	2	1	Tamper spring	“Tamper drive belt removal” on page 567
3	40X8211	1	1	Motor (staple finisher right tamper)	“Motor (staple finisher right tamper) removal” on page 566
4	40X8211	1	1	Motor (staple finisher left tamper)	“Motor (staple finisher left tamper) removal” on page 566
5	41X1704	1	1	Staple finisher bin LED	“Staple finisher bin LED removal” on page 572
6	41X0664	2	1	Tamper gear	“Tamper drive belt removal” on page 567
7	41X2196	2	1	Tamper bracket	--
8	41X1238	1	1	Sensor (staple finisher left tamper)	“Sensor (staple finisher left tamper) removal” on page 570
9	41X2160	1	1	Tamper aligner	“Tamper aligner removal” on page 574
10	41X1238	1	1	Sensor (staple finisher right tamper)	“Sensor (staple finisher right tamper) removal” on page 568

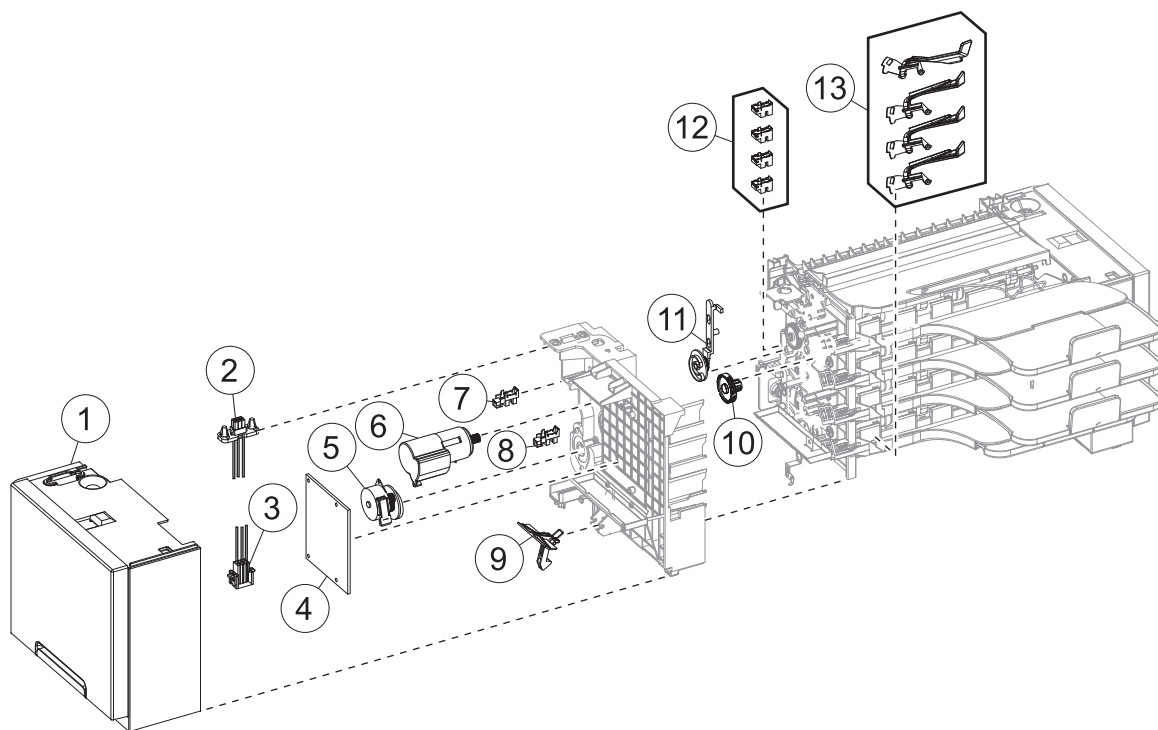
Assembly 32: Staple finisher 5



Assembly 32: Staple finisher 5

Asm-index	P/N	Units/mach	Units/FRU	Description	Removal procedure
1	41X2199	1	1	Staple finisher paper stack flap (right)	“Staple finisher paper stack flap removal” on page 578
2	40X8210	1	1	Staple finisher paper stack flap (left)	“Staple finisher paper stack flap removal” on page 578
3	41X2167	1	1	Staple finisher ejector assembly	“Staple finisher ejector assembly removal” on page 584
4	40X8745	1	1	Sensor (staple finisher ejector)	“Sensor (staple finisher ejector) removal” on page 587
5	40X8134	1	1	Sensor (staple finisher pass-through)	“Sensor (staple finisher pass-through) removal” on page 590

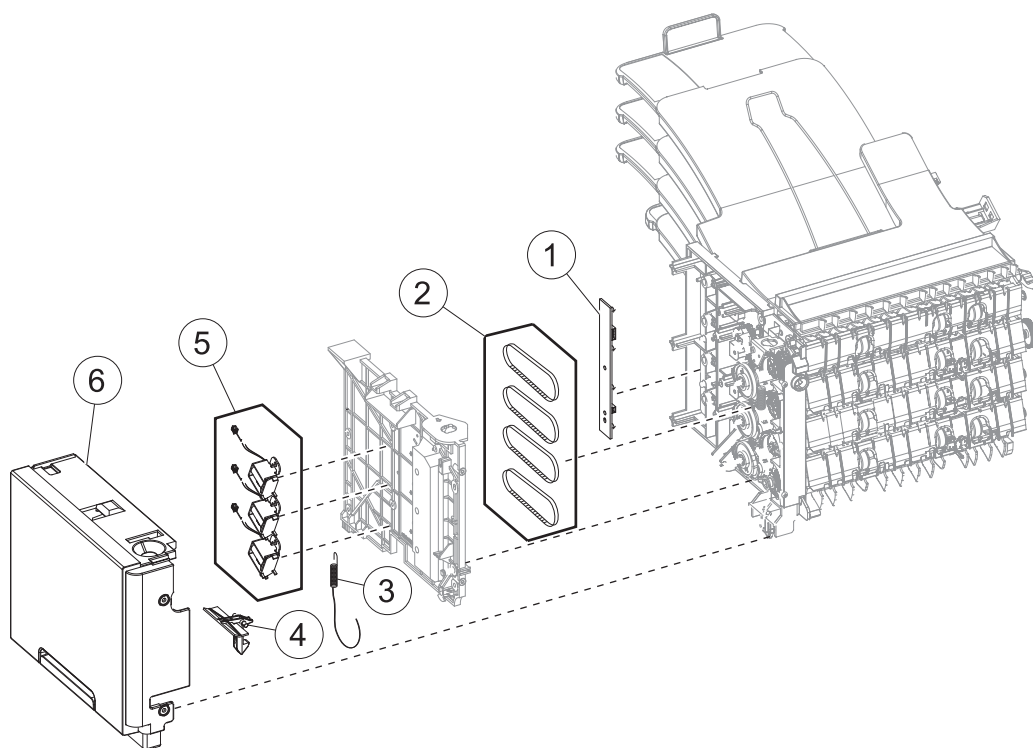
Assembly 33: Mailbox 1



Assembly 33: Mailbox 1

Asm-index	P/N	Units/mach	Units/FRU	Description	Removal procedure
1	40X8246	1	1	Mailbox left cover	“Mailbox left cover removal” on page 601
2	40X8254	1	1	Mailbox upper interface cable	“Mailbox upper interface cable removal” on page 619
3	40X8253	1	1	Mailbox lower interface cable	“Mailbox lower interface cable removal” on page 617
4	40X8244	1	1	Mailbox controller board	“Mailbox controller board removal” on page 614
5	40X8256	1	1	Motor (mailbox diverter)	“Motor (mailbox diverter) removal” on page 619
6	41X0529	1	1	Motor (mailbox transport)	“Motor (mailbox transport) removal” on page 613
7	40X7592	1	1	Sensor (mailbox rear door interlock)	“Sensor (mailbox rear door interlock) removal” on page 605
8	40X7592	1	1	Sensor (mailbox diverter plunger)	“Sensor (mailbox diverter plunger) removal” on page 615
9	40X8721	2	1	Mailbox latch	“Mailbox latch removal” on page 604
10	40X8726	1	1	Mailbox transport drive gear	“Mailbox transport drive gear removal” on page 610
11	40X8722	1	1	Mailbox diverter plunger assembly	“Mailbox diverter plunger assembly removal” on page 605
12	41X0701	4	1	Sensor (mailbox bin full)	“Sensor (mailbox bin full) removal” on page 622
13	40X8247	4	1	Mailbox bin full flag	“Mailbox bin full flag removal” on page 621
NS	40X8500	1	1	Optional bin guide bar	--

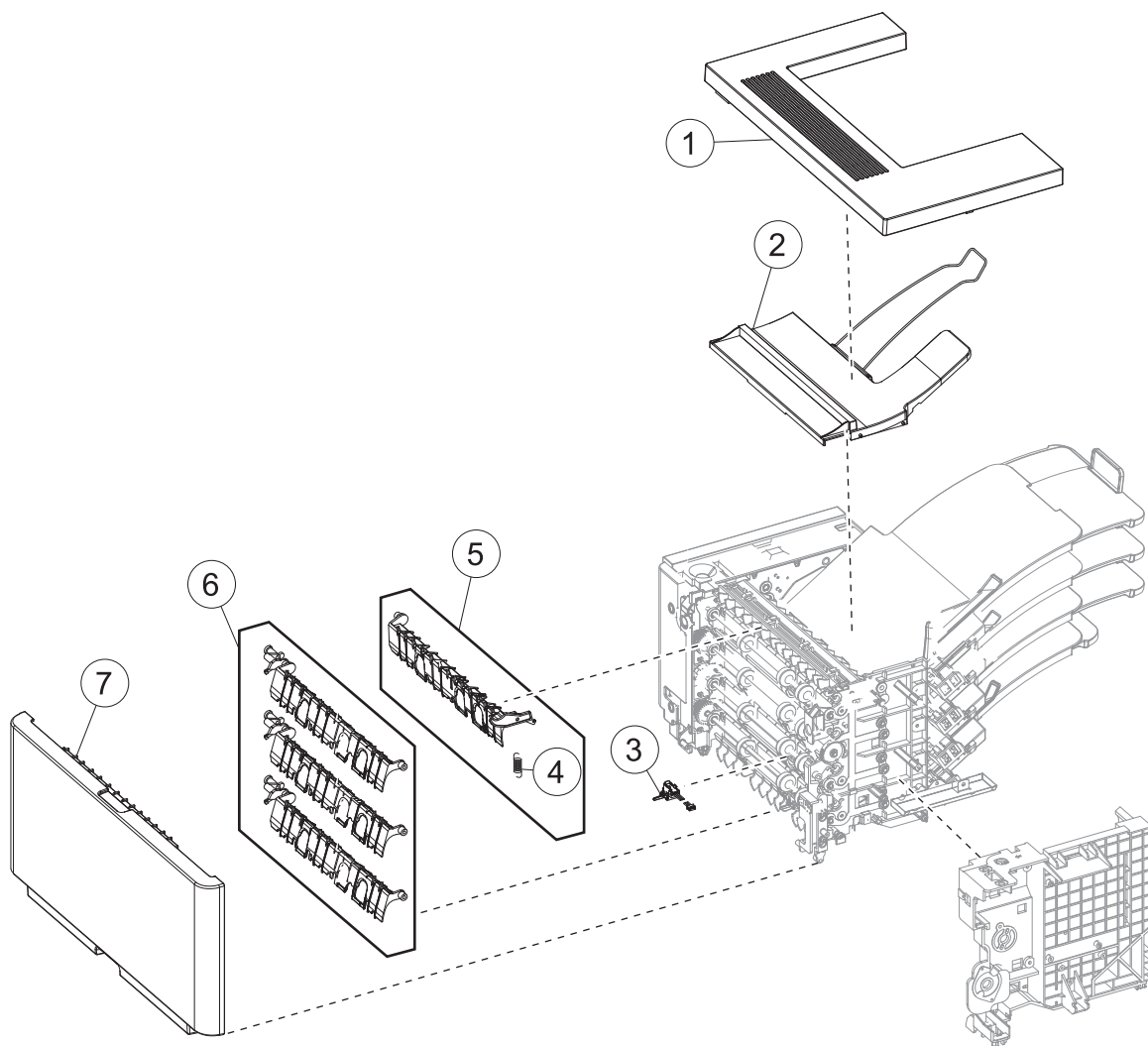
Assembly 34: Mailbox 2



Assembly 34: Mailbox 2

Asm-index	P/N	Units/mach	Units/FRU	Description	Removal procedure
1	40X8250	1	1	Mailbox bin LED assembly	“Mailbox bin LED assembly removal” on page 627
2	40X8249	4	1	Mailbox belt	“Mailbox belt removal” on page 625
3	40X8252	1	1	Mailbox spring with string	“Mailbox spring with string removal” on page 600
4	40X8721	2	1	Mailbox latch	“Mailbox latch removal” on page 604
5	40X8251	3	1	Mailbox solenoid	“Mailbox solenoid removal” on page 602
6	40X8243	1	1	Mailbox right cover	“Mailbox right cover removal” on page 598

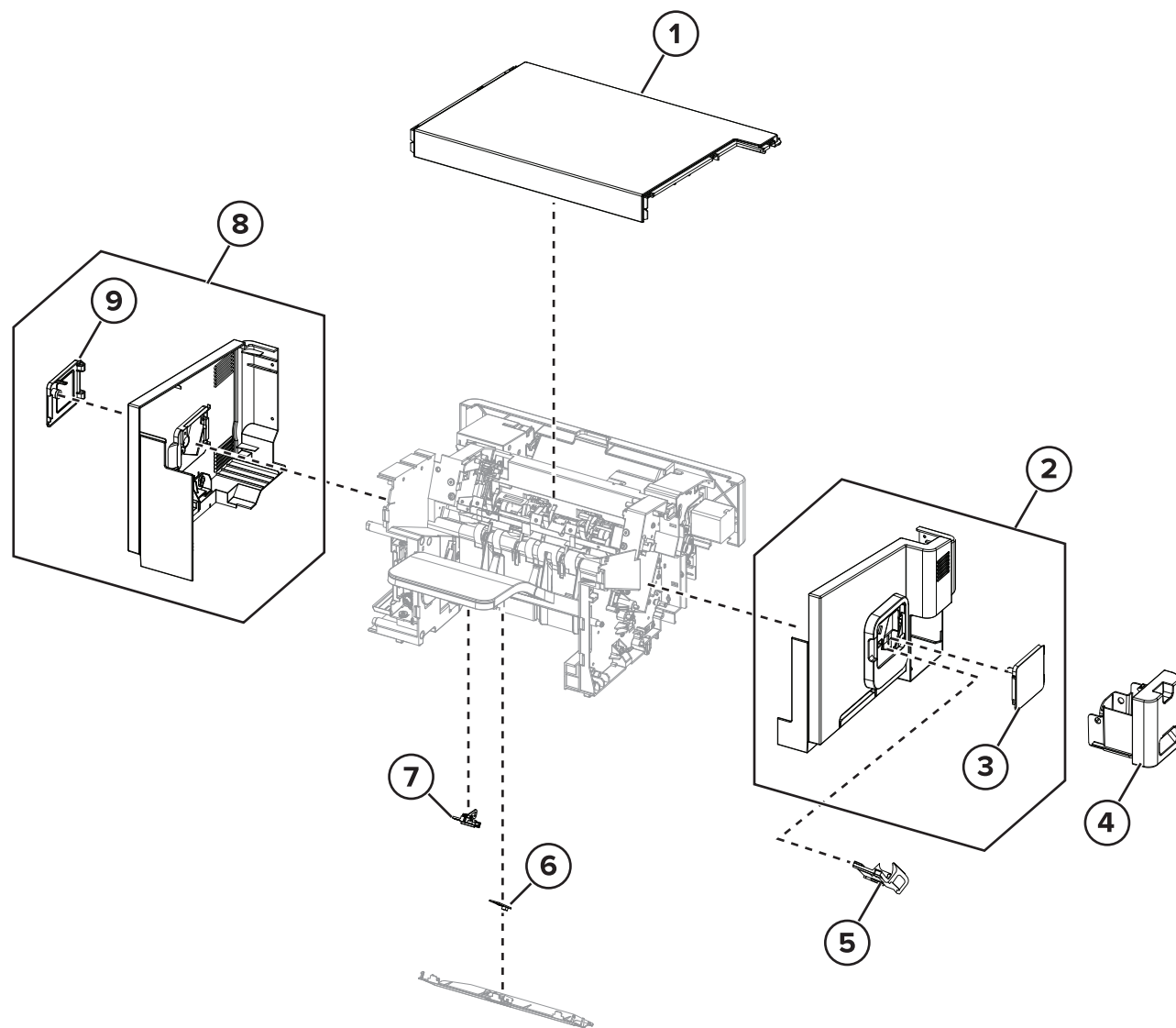
Assembly 35: Mailbox 3



Assembly 35: Mailbox 3

Asm-index	P/N	Units/mach	Units/FRU	Description	Removal procedure
1	40X8196	1	1	Mailbox top cover	“Mailbox top cover removal” on page 595
2	40X8720	1	1	Mailbox top bin cover with bail	“Mailbox top bin cover with bail removal” on page 599
3	40X8719	1	1	Sensor (mailbox pass-through)	“Sensor (mailbox pass-through) removal” on page 640
4	40X8725	1	1	Mailbox top diverter spring	“Mailbox top diverter spring removal” on page 636
5	40X8723	1	1	Mailbox top diverter	“Mailbox top diverter removal” on page 630
6	40X8724	3	1	Mailbox middle diverter	“Mailbox middle diverter removal” on page 635
7	41X1870	1	1	Mailbox rear door	“Mailbox rear door removal” on page 596

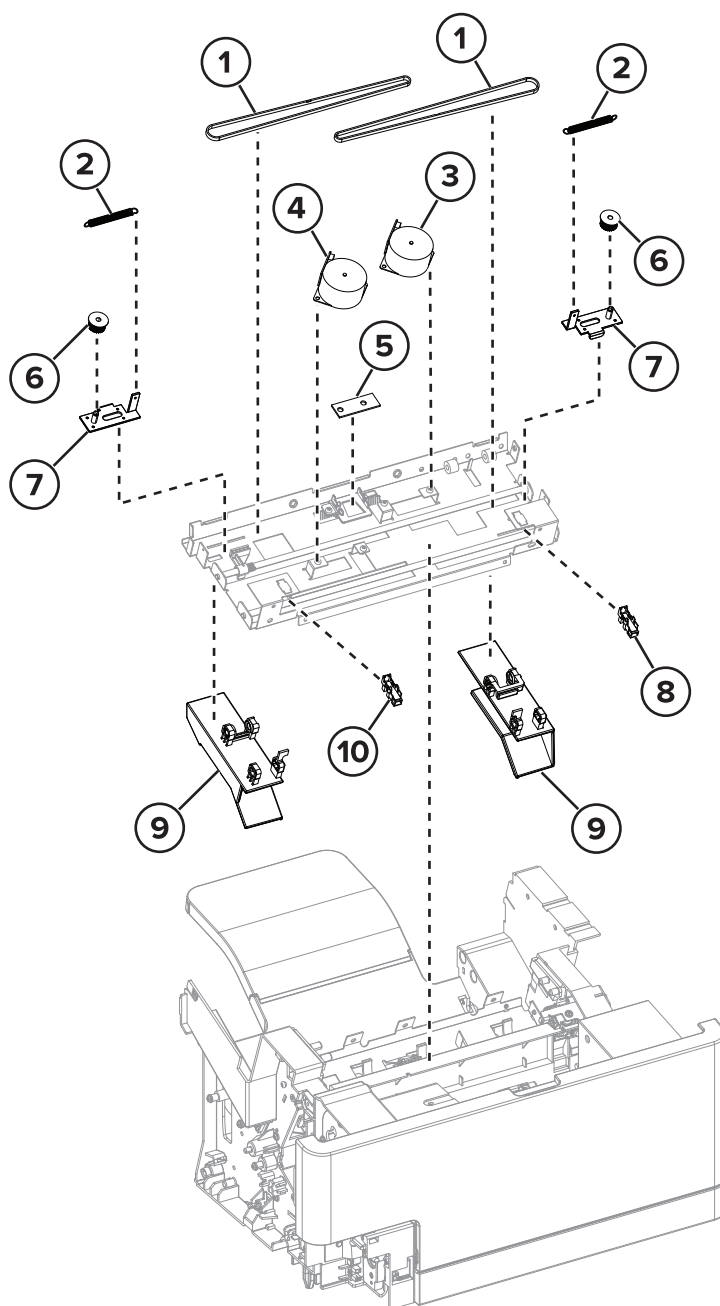
Assembly 36: Staple, hole punch finisher 1



Assembly 36: Staple, hole punch finisher 1

Asm-index	P/N	Units/mach	Units/FRU	Description	Removal procedure
1	40X8547	1	1	Staple, hole punch finisher top cover	“Staple, hole punch finisher top cover removal” on page 650
2	41X1719	1	1	Staple, hole punch finisher right cover	“Staple, hole punch finisher right cover removal” on page 648
3	41X1701	1	1	Staple cartridge access door	“Staple cartridge access door removal” on page 591
4	41X2202	1	1	Hole punch box	--
5	40X7466	1	1	Staple cartridge holder	“Staple cartridge holder removal” on page 651
6	41X1704	1	1	Standard bin LED	--
7	41X0724	1	1	Sensor (SHPF bin paper present)	--
8	41X1718	1	1	Staple, hole punch finisher left cover	“Staple, hole punch finisher left cover removal” on page 646
9	41X2166	1	1	Left staple cartridge access door	“Left staple cartridge access door removal” on page 646

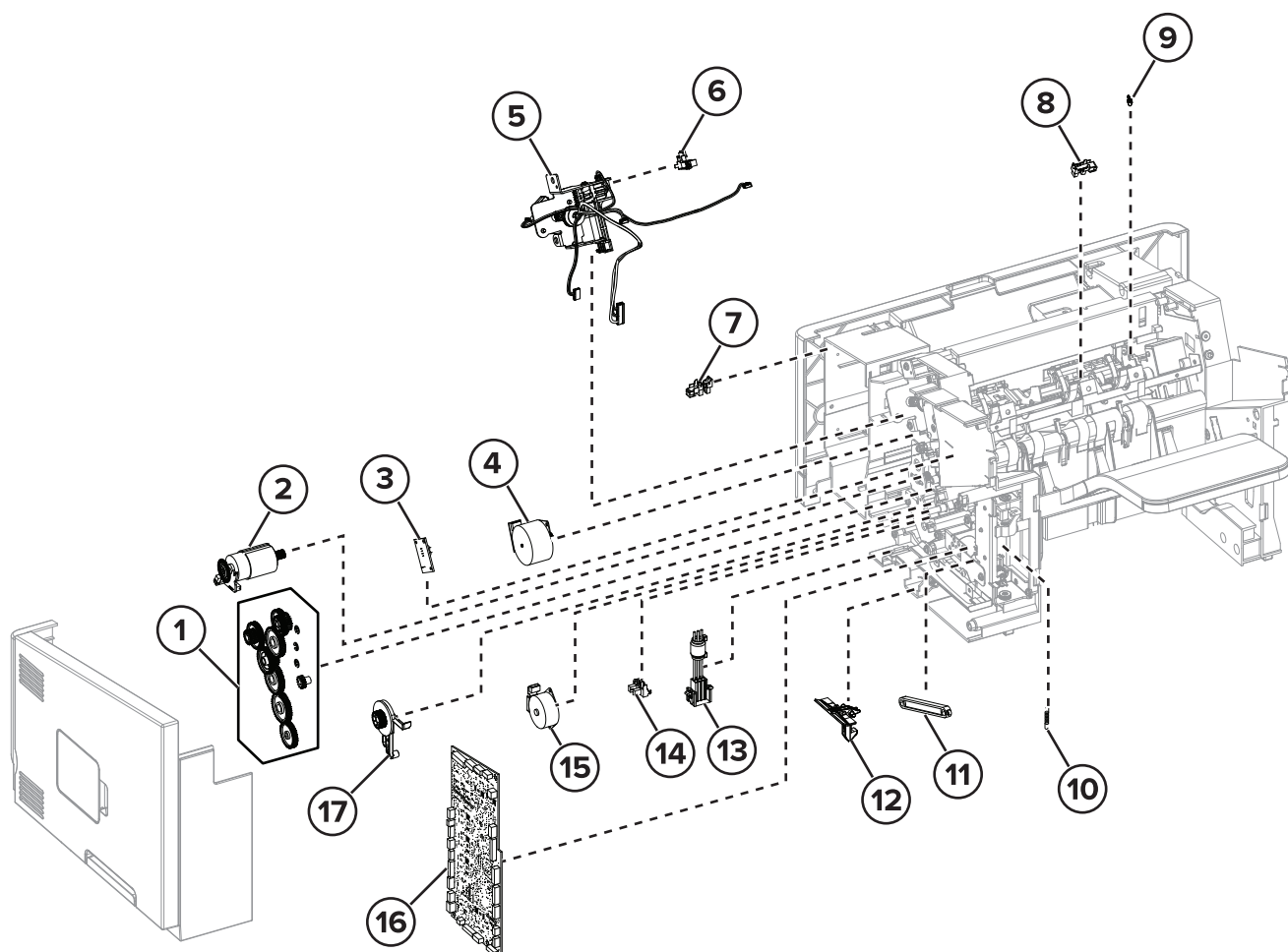
Assembly 37: Staple, hole punch finisher 2



Assembly 37: Staple, hole punch finisher 2

Asm-index	P/N	Units/mach	Units/FRU	Description	Removal procedure
1	40X8212	2	1	Tamper drive belt	--
2	41X1705	2	1	Tamper spring	--
3	40X8211	1	1	Motor (SHPF right tamper)	--
4	40X8211	1	1	Motor (SHPF left tamper)	--
5	41X1704	1	1	Staple, hole punch finisher bin LED	--
6	41X0664	2	1	Tamper gear	--
7	41X2196	2	1	Tamper bracket	--
8	41X1238	1	1	Sensor (SHPF left tamper)	--
9	41X2160	1	1	Tamper aligner	--
10	41X1238	1	1	Sensor (SHPF right tamper)	--

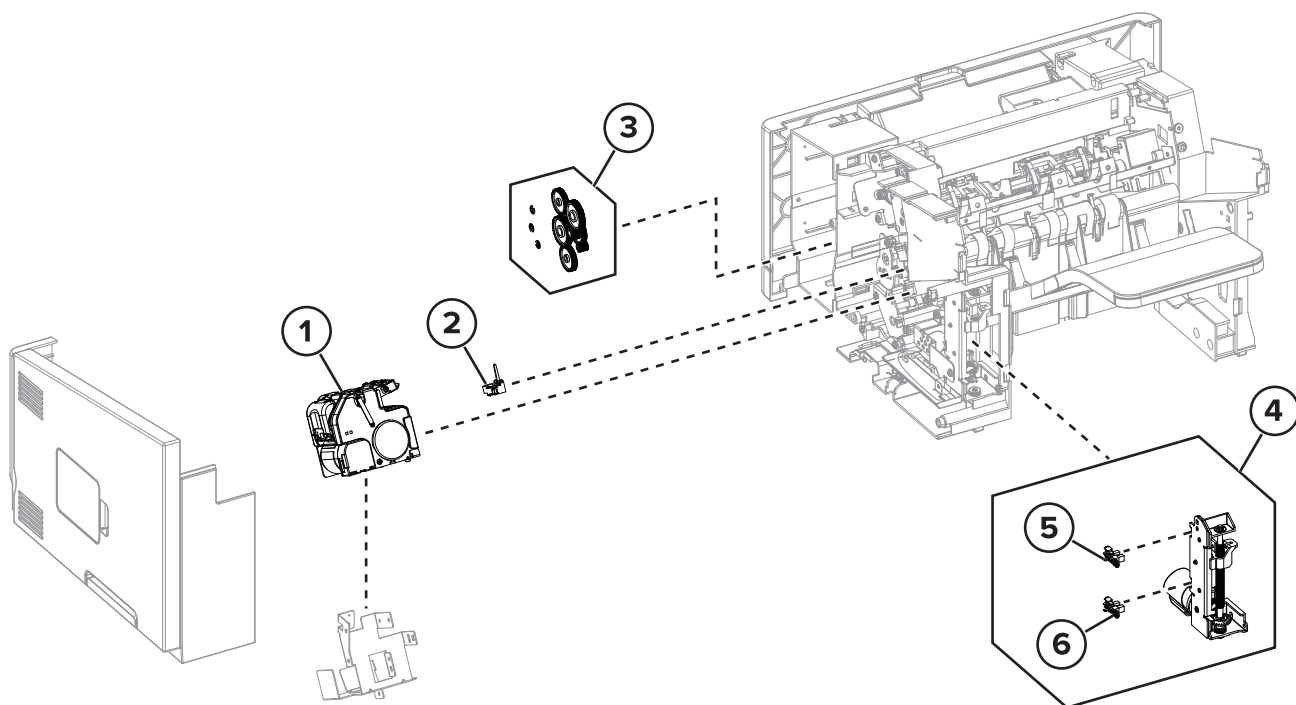
Assembly 38: Staple, hole punch finisher 3



Assembly 38: Staple, hole punch finisher 3

Asm-index	P/N	Units/mach	Units/FRU	Description	Removal procedure
1	41X2175	1	1	SHPF drive gear assembly	“SHPF drive gear assembly removal” on page 663
2	41X0529	1	1	Motor (SHPF transport)	“Motor (SHPF transport) removal” on page 660
3	41X0802	1	1	Sensor (SHPF bin full)	“Sensor (SHPF bin full send) removal” on page 681 and “Sensor (SHPF bin full receive) removal” on page 682
4	40X8213	1	1	Sensor (SHPF paddle)	“Sensor (SHPF paddle) removal” on page 684
5	41X2187	1	1	SHPF stack height assembly	--
6	41X0798	1	1	Sensor (SHPF stack height)	--
7	41X1238	1	1	Sensor (SHPF rear door interlock)	“Sensor (SHPF rear door interlock) removal” on page 665
8	41X1238	1	1	Sensor (SHPF paddle)	“Sensor (SHPF paddle) removal” on page 684
9	41X2192	1	1	Paddle spring	--
10	41X1710	2	1	SHPF bin link tension spring	“SHPF bin link tension spring removal” on page 679
11	40X8744	2	1	SHPF bin link assembly	“SHPF bin link assembly removal” on page 680
12	40X8721	2	1	Staple, hole punch finisher latch	“Staple, hole punch finisher latch removal” on page 684
13	40X8224	1	1	Staple, hole punch finisher interface cable	“Staple, hole punch finisher interface cable removal” on page 658
14	41X0798	1	1	Sensor (SHPF diverter plunger)	--
15	40x8256	1	1	Motor (SHPF diverter plunger)	“Motor (SHPF diverter plunger) removal” on page 659
16	41X1708	1	1	Staple, hole punch finisher controller board	“Staple, hole punch finisher controller board removal” on page 652
17	40X8722	1	1	SHPF diverter plunger assembly	“SHPF diverter plunger assembly removal” on page 662

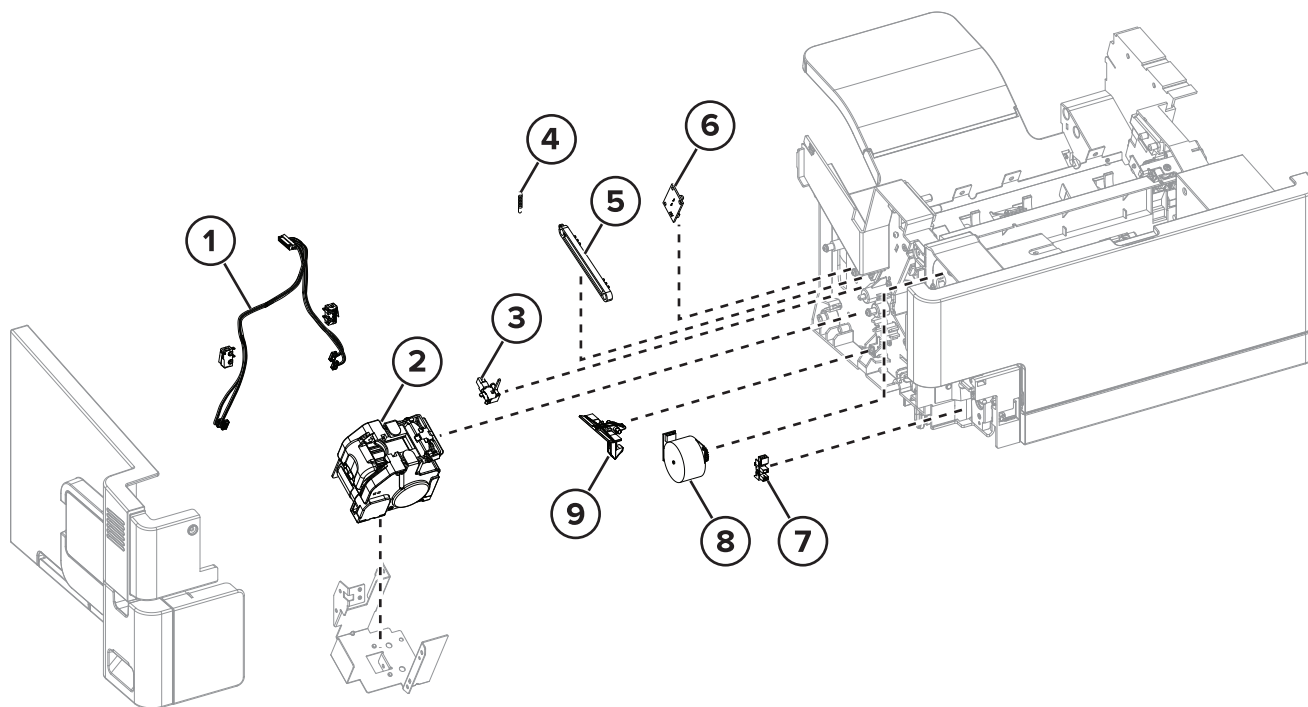
Assembly 39: Staple, hole punch finisher 4



Assembly 39: Staple, hole punch finisher 4

Asm-index	P/N	Units/mach	Units/FRU	Description	Removal procedure
1	41X0654	1	1	Left staple unit	“Left staple unit removal” on page 656
2	40X8745	2	1	Sensor (SHPF staple throat paper present)	“Left staple unit removal” on page 656
3	41X2175	1	1	SHPF drive gear assembly	“Punch drive gears removal” on page 667
4	41X1709	1	1	Staple, hole punch finisher elevator drive	“Staple, hole punch finisher elevator drive removal” on page 669
5	41X0709	1	1	Sensor (SHPF elevator, top)	“Staple, hole punch finisher elevator drive removal” on page 669
6	41X0709	1	1	Sensor (SHPF elevator, bottom)	“Staple, hole punch finisher elevator drive removal” on page 669

Assembly 40: Staple, hole punch finisher 5



Assembly 40: Staple, hole punch finisher 5

Asm-index	P/N	Units/mach	Units/FRU	Description	Removal procedure
1	41X1702	1	1	SHPF staple cartridge door close limit switch	“SHPF staple cartridge door close limit switch removal” on page 653
2	41X0654	1	1	Right staple unit	“Right staple unit removal” on page 673
3	40X8745	2	1	Sensor (SHPF staple throat paper present)	“Sensor (SHPF staple throat paper present) removal” on page 676
4	40X8742	2	1	SHPF bin link tension spring	“SHPF bin link tension spring removal” on page 679
5	40X8744	2	1	SHPF bin link assembly	“SHPF bin link assembly removal” on page 680
6	41X0802	1	1	Sensor (bin full)	“Sensor (SHPF bin full send) removal” on page 681 and “Sensor (SHPF bin full receive) removal” on page 682
7	41X1238	1	1	Sensor (hole punch box present)	“Sensor (hole punch box present) removal” on page 675
8	41X2178	1	1	Motor (HPU carriage)	“Motor (HPU carriage) removal” on page 673
9	40X8721	2	1	Staple, hole punch finisher latch	“Staple, hole punch finisher latch removal” on page 684