

Parts catalog

Legend

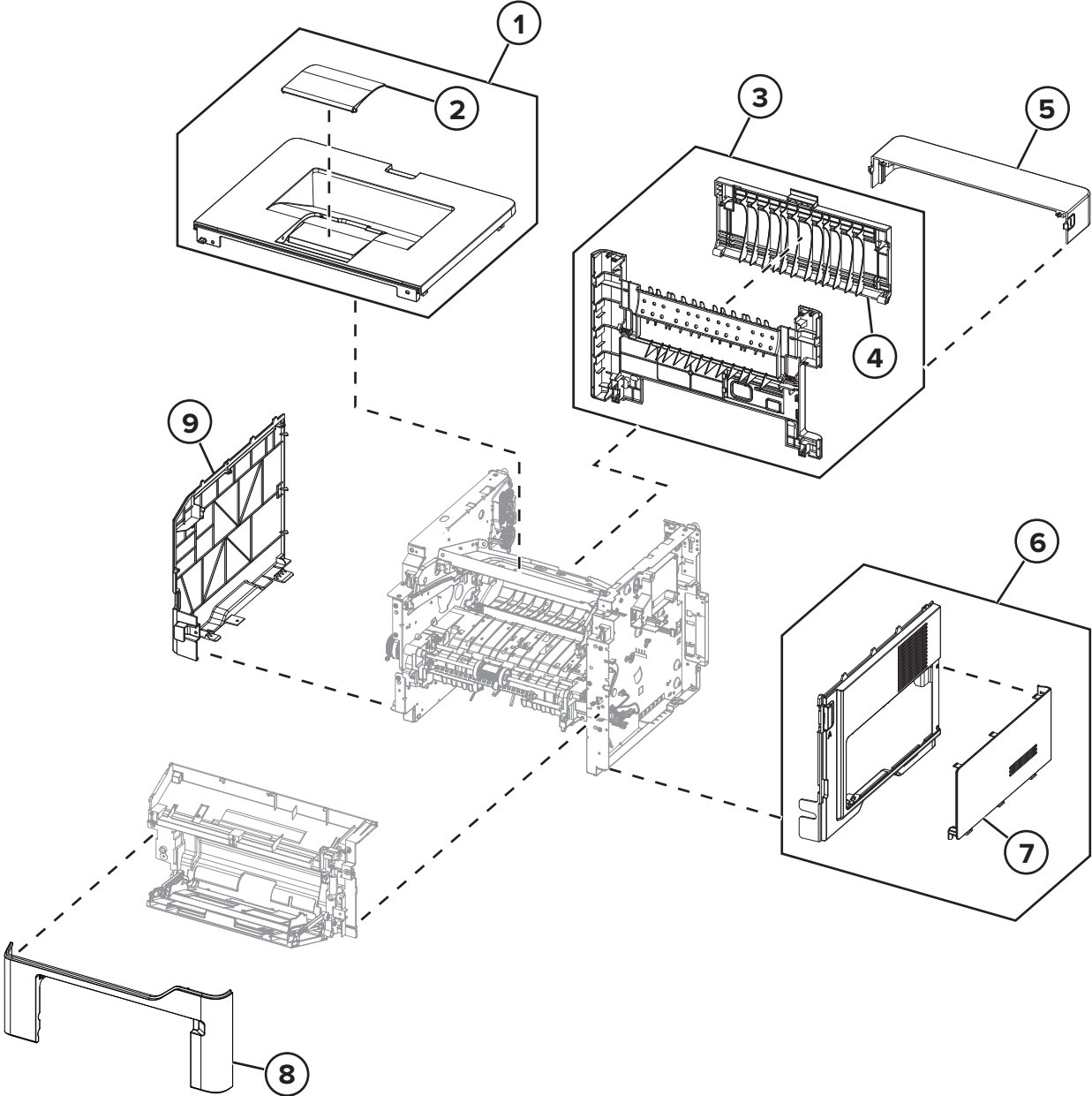
The following column headings are used in the parts catalog:

- **Asm-index**—Identifies the item in the illustration.
- **Part number**—Identifies the unique number that correlates with the part.
- **Units/mach**—Refers to the number of units actually used in the base machine or product.
- **Units/FRU**—Refers to the number of units in a particular FRU.
- **Description**—A brief description of the part.

The following abbreviations are used in the parts catalog:

- **NS** (not shown) in the Asm-index column indicates that the part is procurable but is not pictured in the illustration.
- **PP** (parts packet) in the Description column indicates that the part is contained in a parts packet.

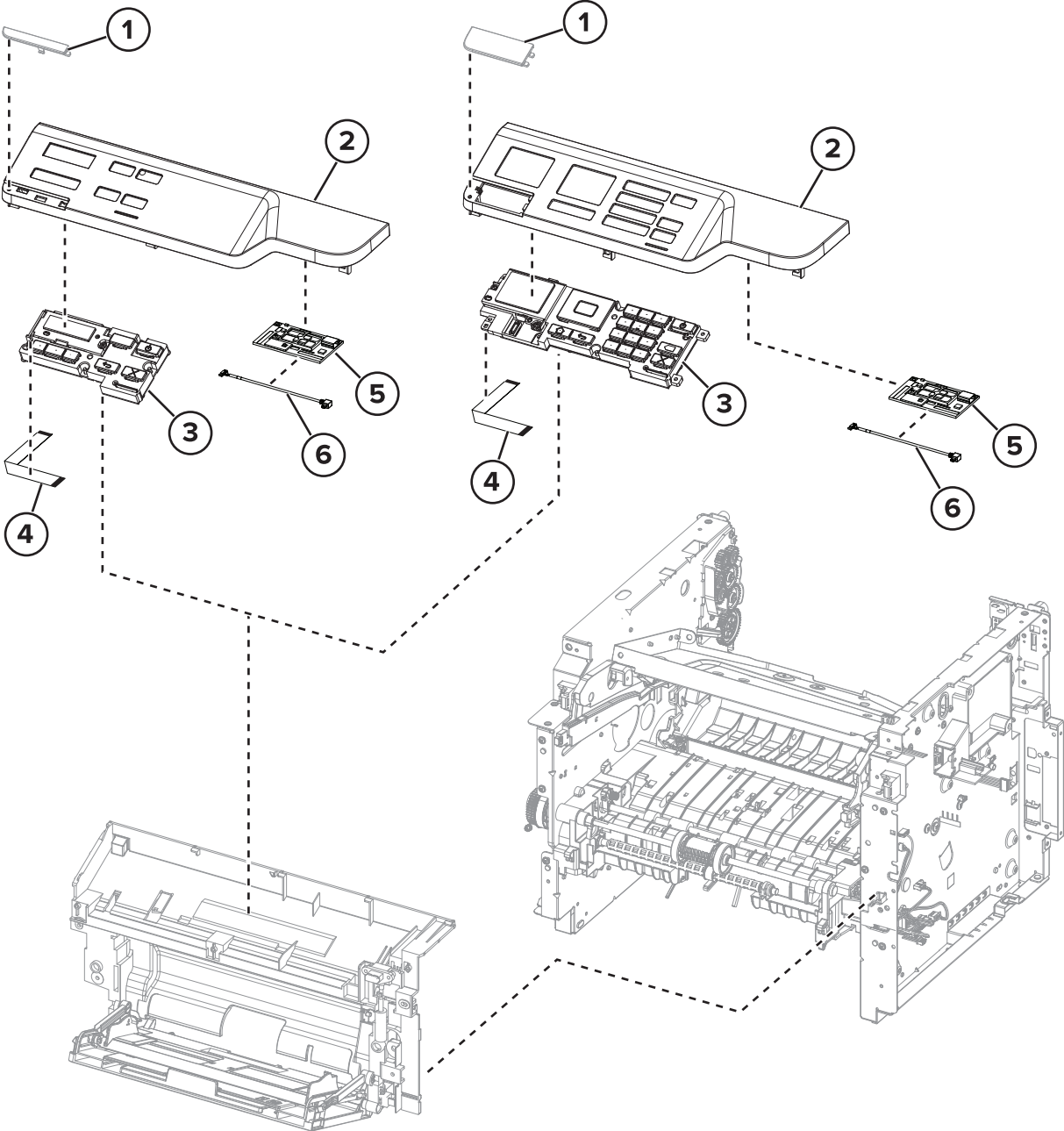
Assembly 1: Covers



Assembly 1: Covers

Asm-index	P/N	Units/mach	Units/FRU	Description	Removal procedure
1	41X1171	1	1	Top cover	“Top cover removal” on page 232
2	41X2262	1	1	Output extender	--
3	41X1169	1	1	Rear door and cover	“Rear door and cover removal” on page 228
4	41X2263	1	1	Rear access door	--
5	40X8520	1	1	Dust cover	--
6	41X1165	1	1	Right cover	“Right cover removal” on page 187
7	41X1233	1	1	Right access cover	--
8	41X1163	1	1	Nameplate	“Nameplate removal” on page 201
9	41X1167	1	1	Left cover	--

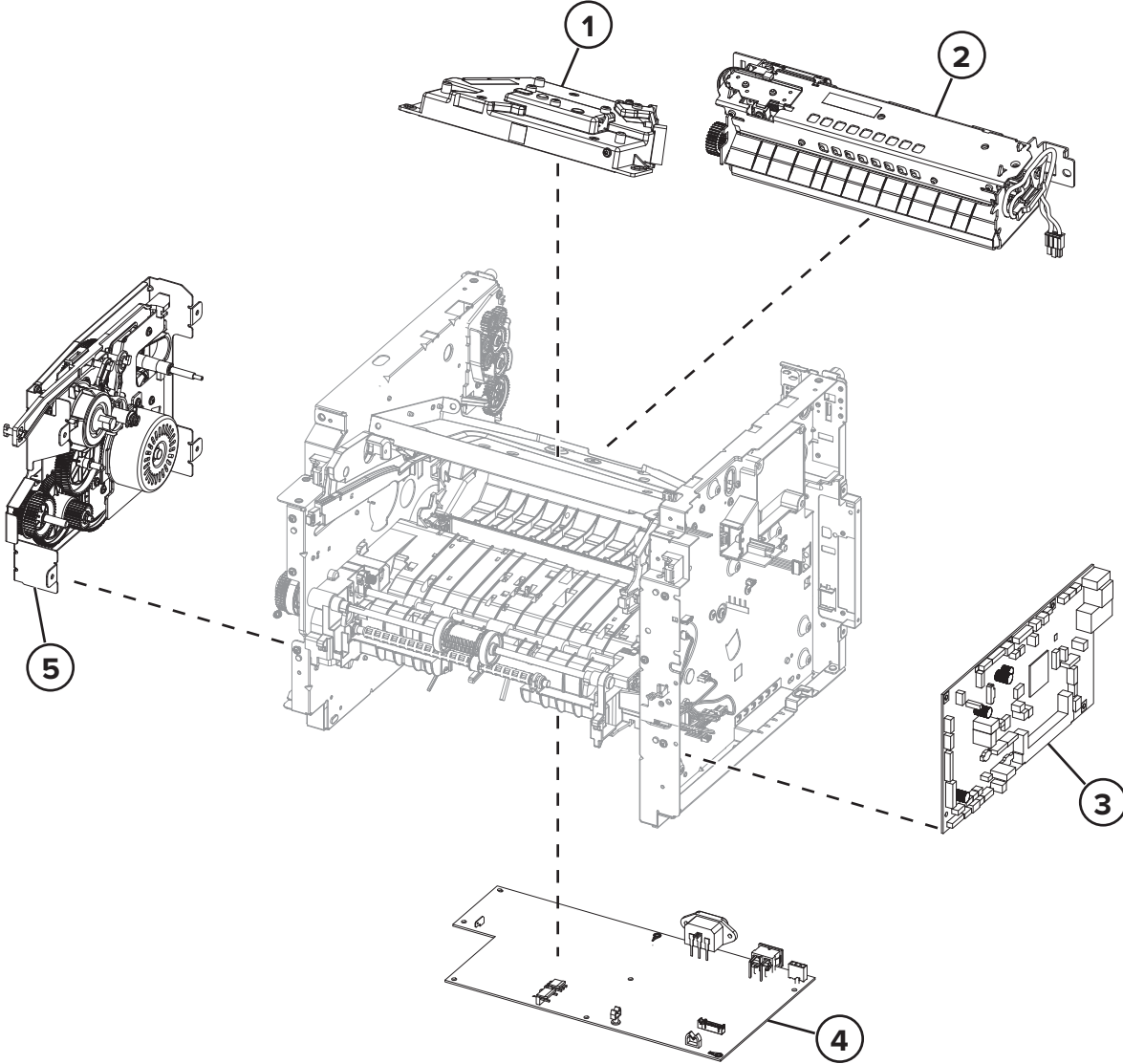
Assembly 2: Control panel



Assembly 2: Control panel

Asm-index	P/N	Units/mach	Units/FRU	Description	Removal procedure
1	41X1155	1	1	Bezel (MS321)	--
1	41X1156	1	1	Bezel (MS421)	--
1	41X1157	1	1	Bezel (MS521)	--
2	41X2264	1	1	Control panel covers (MS321, MS421)	--
2	41X2265	1	1	Control panel covers (MS521)	“Control panel (2.4 inch display) cover, buttons, and board removal” on page 204
3	41X2047	1	1	Control panel display assembly (MS321, MS421)	--
3	41X1627	1	1	Control panel display assembly (MS521)	--
4	41X2267	1	1	Flat cable, 2.4-inch display (MS521)	“Control panel (2.4 inch display) flat cable removal” on page 204
4	41X2266	1	1	Flat cable, 2-line display (MS321, MS421)	--
5	41X1873	1	1	Wireless module	--
6	41X2270	1	1	Wireless module cable	--

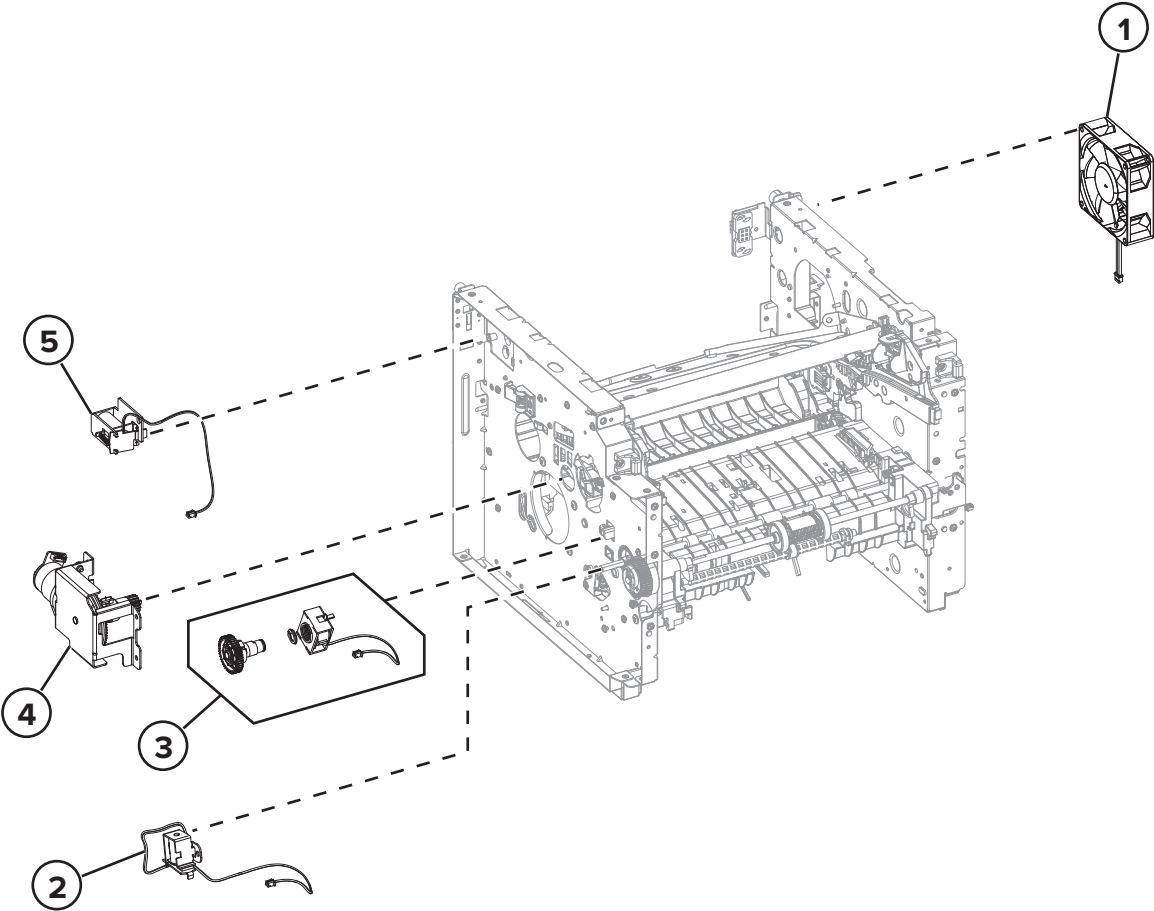
Assembly 3: Electronics 1



Assembly 3: Electronics 1

Asm-index	P/N	Units/mach	Units/FRU	Description	Removal procedure
1	41X1185	1	1	Printhead	“Printhead removal” on page 233
2	41X1178	1	1	Fuser, 110V	“Fuser removal” on page 228
2	41X1179	1	1	Fuser, 220V	“Fuser removal” on page 228
2	41X1180	1	1	Fuser, 100V	“Fuser removal” on page 228
3	41X1191	1	1	Controller board (MS321, MS421)	“Controller board removal” on page 193
3	41X1193	1	1	Controller board (MS521)	“Controller board removal” on page 193
4	41X1201	1	1	Power supply, 100V/110V	“Power supply removal” on page 215
4	41X1202	1	1	Power supply, 220V	“Power supply removal” on page 215
5	41X1224	1	1	Main drive gearbox	“Main drive gearbox removal” on page 176

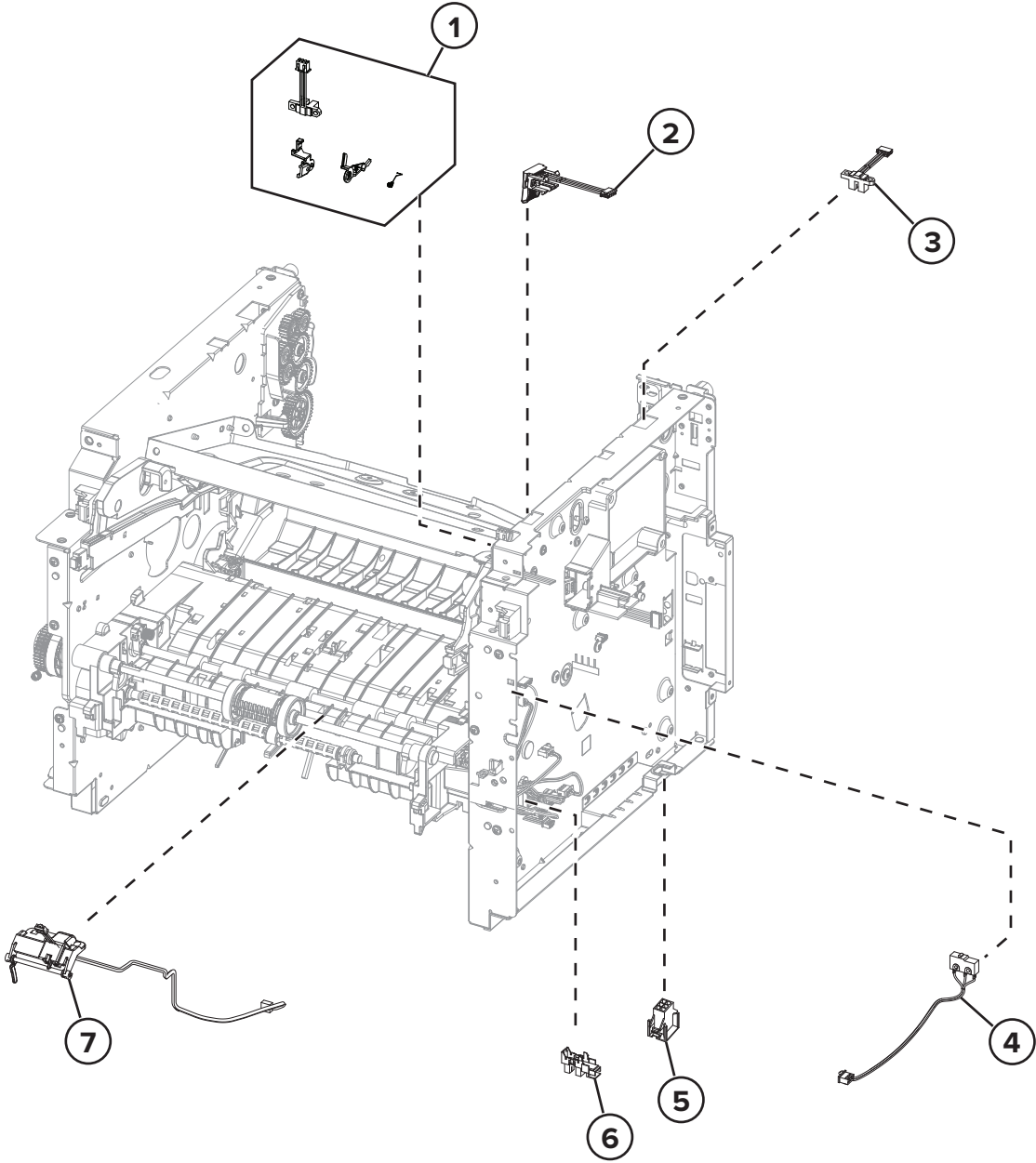
Assembly 4: Electronics 2



Assembly 4: Electronics 2

Asm-index	P/N	Units/mach	Units/FRU	Description	Removal procedure
1	41X2259	1	1	Cooling fan	“Cooling fan removal” on page 191
2	41X1213	1	1	MPF solenoid	“MPF solenoid removal” on page 183
3	41X2391	1	1	Pick roller clutch	“Pick roller clutch removal” on page 184
4	41X1237	1	1	Motor (cartridge)	“Cartridge gearbox removal” on page 182
5	41X1214	1	1	Reverse solenoid	“Reverse solenoid removal” on page 181

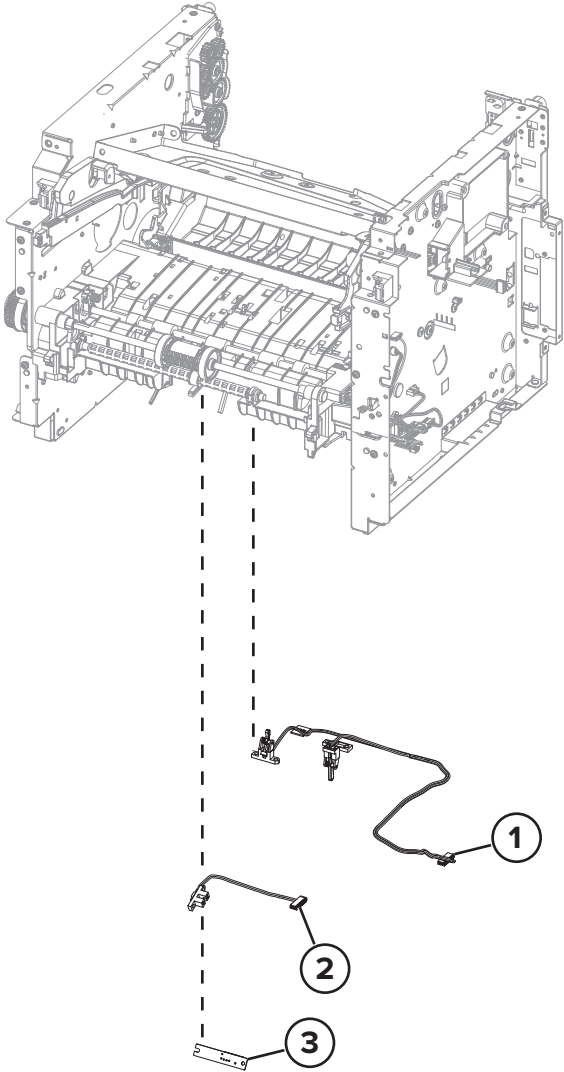
Assembly 5: Electronics 3



Assembly 5: Electronics 3

Asm-index	P/N	Units/mach	Units/FRU	Description	Removal procedure
1	41X1988	1	1	Cartridge barrel sensor kit	“Cartridge barrel shutter sensor kit removal” on page 198
2	41X1162	1	1	Toner cartridge smart chip contact	“Toner cartridge smart chip contact removal” on page 195
3	41X1211	1	1	Sensor (bin full)	“Sensor (bin full) removal” on page 230
4	41X1209	1	1	Sensor (front door)	“Sensor (front door) removal” on page 208
5	41X1236	1	1	Interconnect cable	“Interconnect cable removal” on page 189
6	41X1238	1	1	Sensor (tray present)	“Sensor (tray present) removal” on page 190
7	41X1210	1	1	Sensor (MPF paper present)	“Sensor (MPF paper present) removal” on page 213

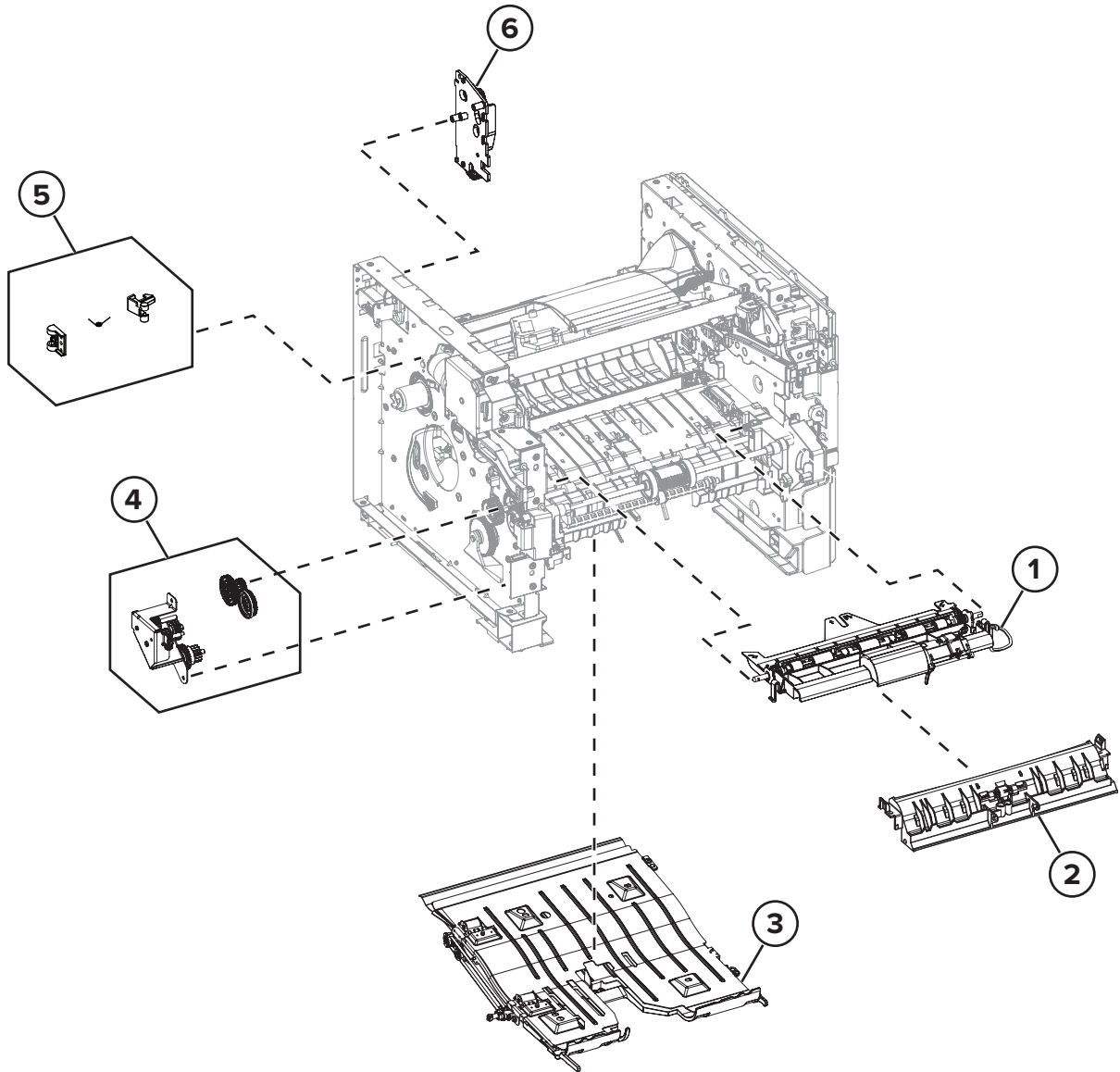
Assembly 6: Electronics 4



Assembly 6: Electronics 4

Asm-index	P/N	Units/mach	Units/FRU	Description	Removal procedure
1	41X1206	1	1	Sensor (duplex and input)	“Sensors (duplex and input) removal” on page 219
2	41X1240	1	1	Sensor (trailing edge)	“Sensor (trailing edge) removal” on page 222
3	40X8046	1	1	Sensor (toner density)	“Sensor (toner density) removal” on page 220

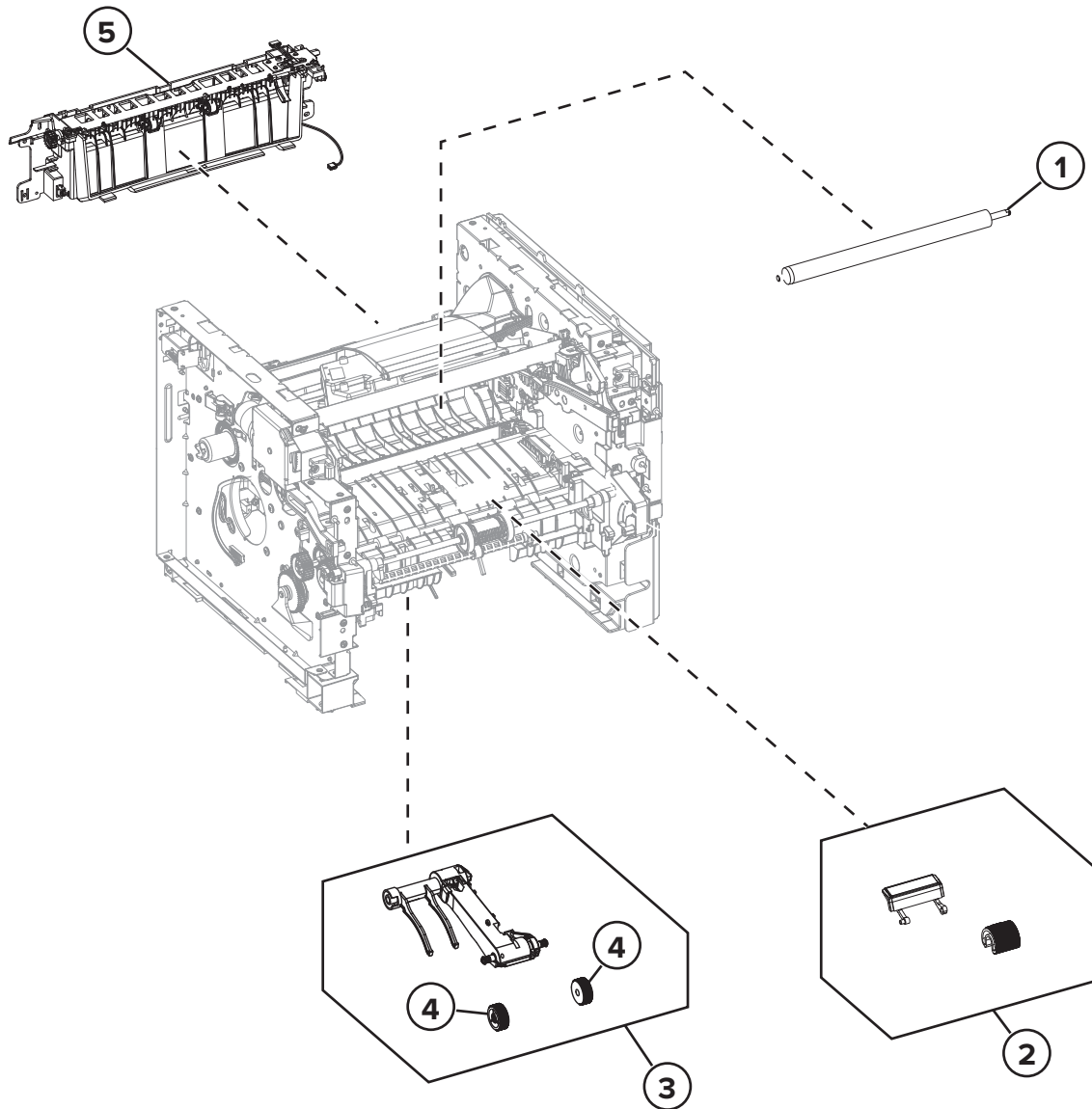
Assembly 7: Paper transport 1



Assembly 7: Paper transport 1

Asm-index	P/N	Units/mach	Units/FRU	Description	Removal procedure
1	41X1183	1	1	Jam access cover	“Jam access cover removal” on page 207
2	41X1184	1	1	Front input guide	“Front input guide removal” on page 214
3	41X1176	1	1	Duplex assembly	“Duplex assembly removal” on page 217
4	41X1182	1	1	MPF gearbox (MS521)	“MPF gearbox removal” on page 177
4	41X2271	1	1	MPF gearbox (MS321, MS421)	“MPF gearbox removal” on page 177
5	41X2255	1	1	Fuser cam	“Fuser actuator removal” on page 180
6	41X2268	1	1	Redrive gear plate	“Redrive gear plate removal” on page 231

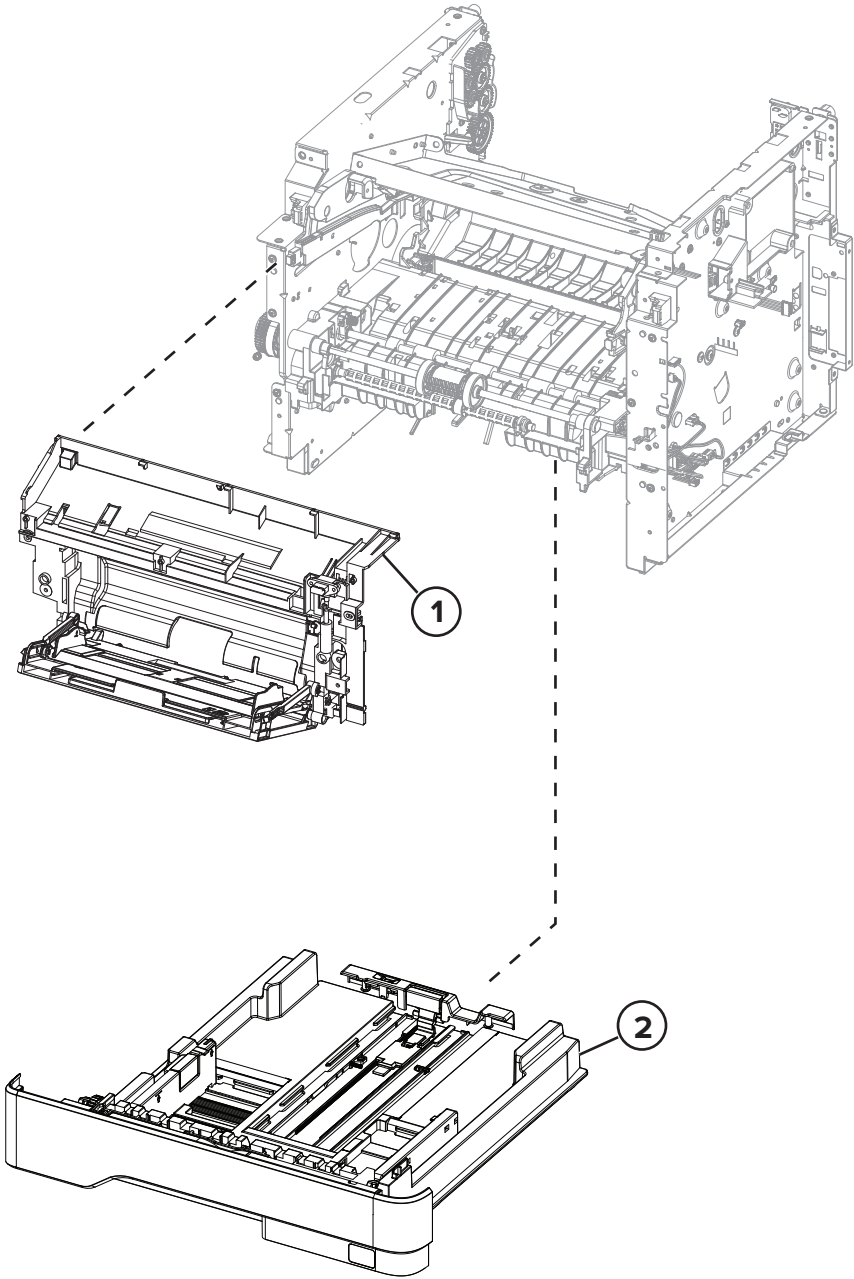
Assembly 8: Paper transport 2



Assembly 8: Paper transport 2

Asm-index	P/N	Units/mach	Units/FRU	Description	Removal procedure
1	40X8393	1	1	Transfer roller	“Transfer roller removal” on page 207
2	41X1197	1	1	MPF pick roller and separator pad	“MPF pick roller and separator pad removal” on page 210
3	41X1223	1	1	Pick roller assembly	“Pick roller assembly removal” on page 223
4	41X0918	2	2	Pick tire	--
5	41X1203	1	1	Redrive assembly	“Redrive assembly removal” on page 229

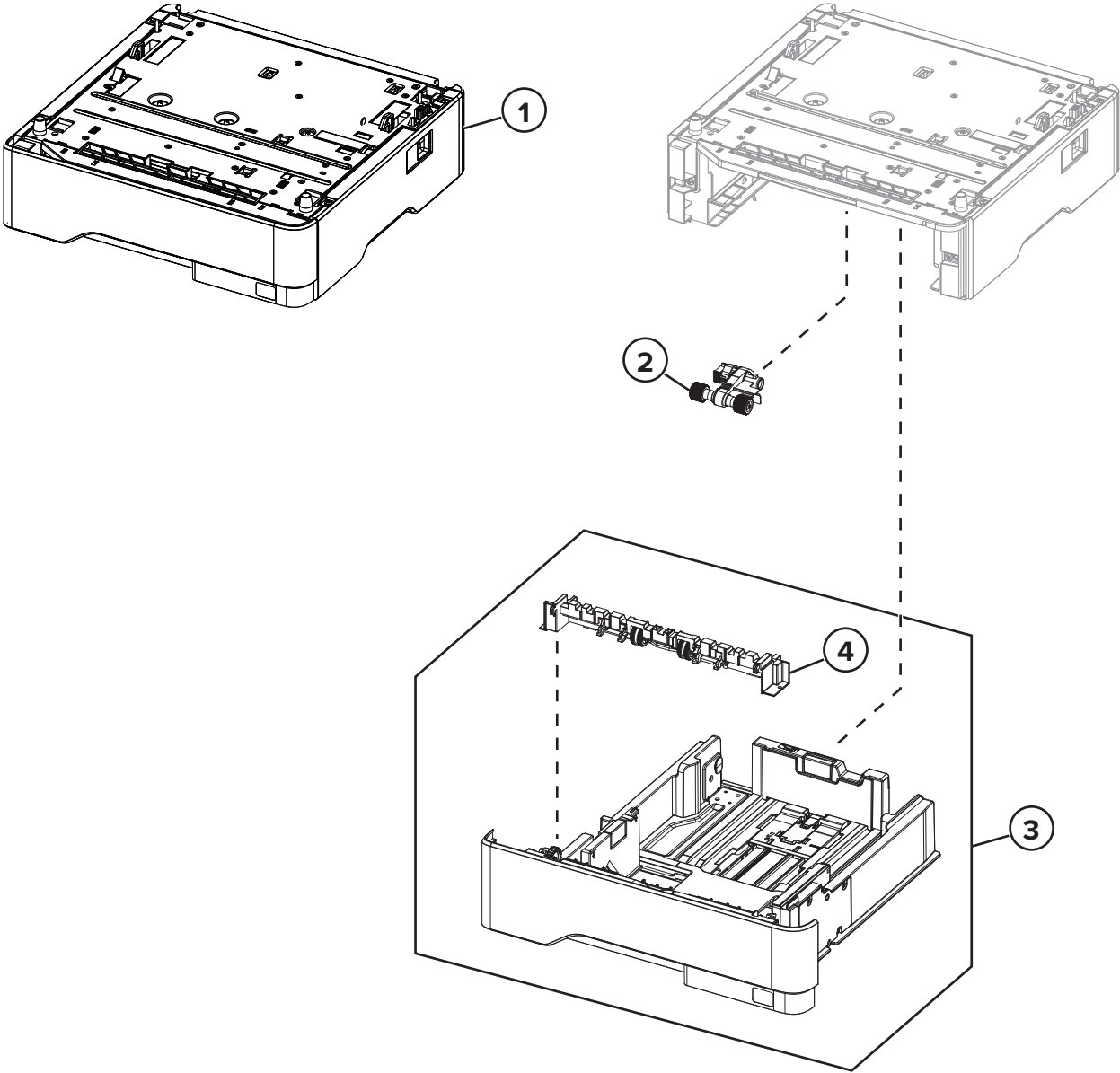
Assembly 9: MPF and standard tray



Assembly 9: MPF and standard tray

Asm-index	P/N	Units/mach	Units/FRU	Description	Removal procedure
1	41X1218	1	1	MPF with front access cover	“MPF with front access cover removal” on page 201
2	41X2125	1	1	Standard 250-sheet tray insert (MS321, MS421)	--
2	41X1220	1	1	Standard 250-sheet tray insert (MS521)	--

Assembly 10: Optional trays



Assembly 10: Optional trays

Asm-index	P/N	Units/opt	Units/FRU	Description	Removal procedure
1	41X1216	1	1	Optional 550-sheet tray	--
1	41X1217	1	1	Optional 250-sheet tray	--
2	41X1239	1	1	Pick roller	--
3	41X1222	1	1	550-sheet tray insert (optional tray)	--
3	41X1221	1	1	250-sheet tray insert (optional tray)	--
4	41X1212	1	1	Separator roller assembly	“Separator roller assembly removal” on page 236

Assembly 11: Maintenance kits (MS521, B2546, and M1246)

Asm-index	P/N	Units/mach	Units/FRU	Description	Removal procedure
NS	41X1230	1	1	Maintenance Kit (100 V) <ul style="list-style-type: none"> • Fuser (100 V) • MPF pick roller and separator pad • Pick tires • Transfer roller 	N/A
NS	41X1228	1	1	Maintenance Kit (110 V) <ul style="list-style-type: none"> • Fuser (110 V) • MPF pick roller and separator pad • Pick tires • Transfer roller 	N/A
NS	41X1229	1	1	Maintenance Kit (220 V) <ul style="list-style-type: none"> • Fuser (220 V) • MPF pick roller and separator pad • Pick tires • Transfer roller 	N/A

Assembly 12: Miscellaneous

Asm-index	P/N	Units/mach	Units/FRU	Description	Removal procedure
NS	41X1010	1	1	User Flash Memory, 256MB	--
NS	41X1002	1	1	Forms and Bar Code card (MS521)	--
NS	41X1004	1	1	IPDS card (MS521)	--
NS	41X1006	1	1	PRESCRIBE card (MS521)	--
NS	41X1014	1	1	Font card, Traditional Chinese	--
NS	41X1013	1	1	Font card, Simplified Chinese	--
NS	41X1015	1	1	Font card, Korean	--
NS	41X1016	1	1	Font card, Japanese	--
NS	41X1372	1	1	Marknet N8370, Rear WiFi (MS521)	--
NS	41X2051	1	1	Parallel card, thin (MS521)	--
NS	41X2055	1	1	Smart card	--
NS	40X1368	1	1	USB 2.0 cable (2 meters)	--
NS	3086579	1	1	Software CD Note: The part number is for internal use only and is not orderable.	--