

PARTS LIST

CS 7353ci / CS 8353ci
BF-730 / BF-9100
DF-7110 / DF-7130
FAX SystemI2
MT-730(B)
PF-730(B) / PF-740(B) / PF-7120 / PF-7130
PH-7A/PH-7C/PH-7D

パーツリスト

TASKalfa 7353ci / TASKalfa 8353ci
BF-730 / BF-9100
DF-7110 / DF-7130
FAX SystemI2
MT-730(B)
PF-730(B) / PF-740(B) / PF-7120 / PF-7130
PH-7B



[CONFIDENTIAL]

FOR AUTHORIZED KYOCERA ENGINEERS ONLY. DO NOT DISTRIBUTE TO NON-AUTHORIZED PARTIES.

Cover page revision history

| Version | Date | Remarks |
|---------|----------------|---|
| 1.0 | August 2019 | First edition |
| 2.0 | September 2019 | Ordinary revision |
| 3.0 | March 2020 | Ordinary revision |
| 4.0 | October 2020 | Extraordinary revision (Correction for Main Body) |
| 5.0 | October 2020 | Ordinary revision |
| | | |
| | | |
| | | |
| | | |
| | | |

Individual parts list Version

| | Version | Remarks |
|-------------------|---------|-------------------------|
| Main Body | 5.0 | Revised from 4.0 to 5.0 |
| BF-730 | D | |
| BF-9100 | 4 | Revised from 3 to 4 |
| DF-7110 | C | Revised from B to C |
| DF-7130 | 6 | Revised from 5 to 6 |
| FAX System12 | 2 | |
| MT-730(B) | 7 | |
| PF-730(B) | 2 | |
| PF-740(B) | 2 | |
| PF-7120 | 9 | |
| PF-7130 | 5 | |
| PH-7A/PH-7C/PH-7D | 5 | |
| | | |
| | | |
| | | |
| | | |
| | | |
| | | |
| | | |
| | | |
| | | |

Precautions when replacing parts

When replacing the parts, please use the parts that Kyocera Document Solutions Inc. is specified. Please do not use the unspecified parts since there might be the possibility to occur the incident such as the malfunction of the product, the fire, etc.

[CONFIDENTIAL]

京セラドキュメントソリューションズ株式会社の許可なく、本資料を配布することを禁じます。

表紙改版履歴

| Version | 改版日 | 備考 |
|---------|----------|----------------|
| 1.0 | 2019年8月 | 初版発行 |
| 2.0 | 2019年9月 | 通常改訂 |
| 3.0 | 2020年3月 | 通常改訂 |
| 4.0 | 2020年10月 | 特別改訂 (本体の誤記訂正) |
| 5.0 | 2020年10月 | 通常改訂 |
| | | |
| | | |
| | | |
| | | |
| | | |

各パーツリストの Version

| | Version | 備考 |
|--------------|---------|-------------|
| 本体 | 5.0 | 改訂(4.0→5.0) |
| BF-730 | D | |
| BF-9100 | 4 | 改訂(3→4) |
| DF-7110 | C | 改訂(B→C) |
| DF-7130 | 6 | 改訂(5→6) |
| FAX System12 | 2 | |
| MT-730(B) | 7 | |
| PF-730(B) | 2 | |
| PF-740(B) | 2 | |
| PF-7120 | 9 | |
| PF-7130 | 5 | |
| PH-7B | 5 | |
| | | |
| | | |
| | | |
| | | |
| | | |
| | | |
| | | |
| | | |
| | | |

部品交換時における注意

部品交換時は、必ず京セラドキュメントソリューションズ株式会社指定の部品を使用してください。指定外の部品を使用すると、故障や火災などの事故が発生する可能性がありますので、絶対に行わないでください。

[CONFIDENTIAL]

FOR AUTHORIZED KYOCERA ENGINEERS ONLY. DO NOT DISTRIBUTE TO NON-AUTHORIZED PARTIES.

Items listed in the revision columns are defined as follows.

| Item | Description |
|---------------|---|
| Add | Add a new part |
| Del | Delete a part |
| Design-chg. | A design changed part (Parts number version up) |
| Part No.-chg. | A part number is changed to other one. |
| Quantity-chg. | Change Quantity of parts to use |
| Others | Other changes |
| Correction | Correction |

Revision history

| Version | Date | Remarks |
|---------|----------------|--|
| 1.0 | August 2019 | First edition |
| 2.0 | September 2019 | Design change & Correction |
| 3.0 | March 2020 | Design change and Add New Model(73ppm /100V) |
| 4.0 | October 2020 | Correction |
| 5.0 | October 2020 | Design change |
| | | |
| | | |

Symbols in the parts list

- Parts without a Ref.No. in the illustration indicate they are not supplied.
- Parts with "*" are component parts or sub-assemblies of the assembly appearing immediately above them.
- Parts with "**" are component parts or sub-assembly with "*" appearing immediately above them.

<Notation of products>

For the purpose of this parts list, products are identified as following.

TASKalfa 7353ci : 73ppm

TASKalfa 8353ci : 83ppm

[CONFIDENTIAL]

京セラドキュメントソリューションズ株式会社の許可なく、本資料を配布することを禁じます。

Revision 欄記載項目の内容は以下の通りです。

| 記載項目 | 内容 |
|---------------|--------------|
| Add | 新規部品の追加 |
| Del | 部品の削除 |
| Design-chg. | 部品の設変(版数アップ) |
| Part No.-chg. | 部品番号の変更 |
| Quantity-chg. | 部品の個数変更 |
| Others | その他の変更 |
| Correction | 誤記訂正 |

改版履歴

| Version | 改版日 | 備考 |
|---------|----------|---------------------------|
| 1.0 | 2019年8月 | 初版発行 |
| 2.0 | 2019年9月 | 設変対応 & 誤記訂正 |
| 3.0 | 2020年3月 | 設変対応および仕向け追加(73ppm /100V) |
| 4.0 | 2020年10月 | 誤記訂正 |
| 5.0 | 2020年10月 | 設変対応 |
| | | |
| | | |

記号の見方

イラスト中で Ref 番号がない部品は供給できません。
 部品番号欄の・印は、組立部品の単品部品及び準組立部品を表わします。
 部品番号欄の**印は、準組立部品の単品部品を表わします。

< 本体機種区別表記 >

パーツリスト中の本体機種区別は、以下の様に記載します。
 TASKalfa 7353ci : 73ppm
 TASKalfa 8353ci : 83ppm

CONTENTS

| | | | | | |
|---------|---|-----|---------|---|-----|
| FIG. 1 | Covers 1 | 2 | FIG. 46 | Wire sections 10 Motor | 106 |
| FIG. 2 | Covers 2 | 4 | FIG. 47 | Wire sections 11 LVU-HVU(100V) | 108 |
| FIG. 3 | Covers 3 | 6 | FIG. 48 | Wire sections 11 LVU-HVU(120V) | 110 |
| FIG. 4 | Frames | 8 | FIG. 49 | Wire sections 11 LVU-HVU(220-240V) | 112 |
| FIG. 5 | Paper Cassette | 11 | FIG. 50 | Wire sections 12 CCD | 114 |
| FIG. 6 | Paper Deck Covers | 14 | FIG. 51 | Wire sections 13 Panel-Main | 116 |
| FIG. 7 | Paper Deck Cassettes | 16 | FIG. 52 | Wire sections 14 Main | 118 |
| FIG. 8 | Paper Deck Feed Section 1 | 18 | FIG. 53 | Wire sections 15 DP | 120 |
| FIG. 9 | Paper Deck Feed Section 2 | 21 | FIG. 54 | Wire sections 16 PF-Deck | 122 |
| FIG. 10 | Paper Deck Feed Section 3 | 23 | FIG. 55 | DP Unit | 124 |
| FIG. 11 | Paper Deck Drive Section | 25 | FIG. 56 | Covers(DP) | 126 |
| FIG. 12 | Paper Deck Electrical Components | 27 | FIG. 57 | Frames(DP) | 128 |
| FIG. 13 | Paper Feed Section | 29 | FIG. 58 | Table Assy(DP) | 130 |
| FIG. 14 | Paper Conveying Section 1-1 | 32 | FIG. 59 | Paper Conveying Section(DP) | 132 |
| FIG. 15 | Paper Conveying Section 1-2 | 35 | FIG. 60 | Paper Feed Section 1(DP) | 135 |
| FIG. 16 | Paper Conveying Section 1-3 | 38 | FIG. 61 | Paper Feed Section 2(DP) | 138 |
| FIG. 17 | Paper Conveying Section 2 | 41 | FIG. 62 | Drive Section & Electrical Components(DP) | 141 |
| FIG. 18 | Paper Conveying Section 3 | 44 | FIG. 63 | Options 1 | 143 |
| FIG. 19 | Scanner Section | 46 | FIG. 64 | Options 2 | 145 |
| FIG. 20 | Laser Scanner Section | 49 | FIG. 65 | Options 3 | 147 |
| FIG. 21 | Image Formation & Developer Section | 51 | FIG. 66 | Accessories | 149 |
| FIG. 22 | Inner Section | 53 | FIG. 67 | Maintenance Kits | 151 |
| FIG. 23 | Transfer Section | 55 | | | |
| FIG. 24 | Fuser Section | 57 | | | |
| FIG. 25 | Drive Section 1 | 59 | | | |
| FIG. 26 | Drive Section 2 | 62 | | | |
| FIG. 27 | Cooling Section | 65 | | | |
| FIG. 28 | Exit Section | 67 | | | |
| FIG. 29 | Job Separator Section | 69 | | | |
| FIG. 30 | Bridge Section 1 | 71 | | | |
| FIG. 31 | Bridge Section 2 | 74 | | | |
| FIG. 32 | Bridge Section 3 | 76 | | | |
| FIG. 33 | Electrical Components 1 | 79 | | | |
| FIG. 34 | Electrical Components 2 | 81 | | | |
| FIG. 35 | Electrical Components 3 | 83 | | | |
| FIG. 36 | Operation Panel Section | 86 | | | |
| FIG. 37 | Wire sections 1 Engine | 88 | | | |
| FIG. 38 | Wire sections 2 LSU | 90 | | | |
| FIG. 39 | Wire sections 3 Front-1 | 92 | | | |
| FIG. 40 | Wire sections 4 Front-2 | 94 | | | |
| FIG. 41 | Wire sections 5 Front-3 | 96 | | | |
| FIG. 42 | Wire sections 6 Fuser | 98 | | | |
| FIG. 43 | Wire sections 7 Feed-1 | 100 | | | |
| FIG. 44 | Wire sections 8 Feed-2 | 102 | | | |
| FIG. 45 | Wire sections 9 Feed-3 | 104 | | | |

APPENDIXES/ 付録

| | | |
|----------------|--------------------------------------|-----|
| Appendixes. 1 | Wire section 1 Engine(JA) | 152 |
| Appendixes. 2 | Wire section 2 LSU(JA) | 154 |
| Appendixes. 3 | Wire section 3 Front-1(JA) | 156 |
| Appendixes. 4 | Wire section 4 Front-2(JA) | 158 |
| Appendixes. 5 | Wire section 5 Front-3(JA) | 160 |
| Appendixes. 6 | Wire section 6 Fuser(JA) | 162 |
| Appendixes. 7 | Wire section 7 Feed-1(JA) | 164 |
| Appendixes. 8 | Wire section 8 Feed-2(JA) | 166 |
| Appendixes. 9 | Wire section 9 Feed-3(JA) | 168 |
| Appendixes. 10 | Wire section 10 Motor(JA) | 170 |
| Appendixes. 11 | Wire section 11 LVU-HVU(JA) | 172 |
| Appendixes. 12 | Wire section 12 CCD(JA) | 174 |
| Appendixes. 13 | Wire section 13 Panel-Main(JA) | 176 |
| Appendixes. 14 | Wire section 14 Main(JA) | 178 |
| Appendixes. 15 | Wire section 15 DP(JA) | 180 |
| Appendixes. 16 | Wire section 16 PF-Deck(JA) | 182 |

FIG. 1 Covers 1

2XP/2XN

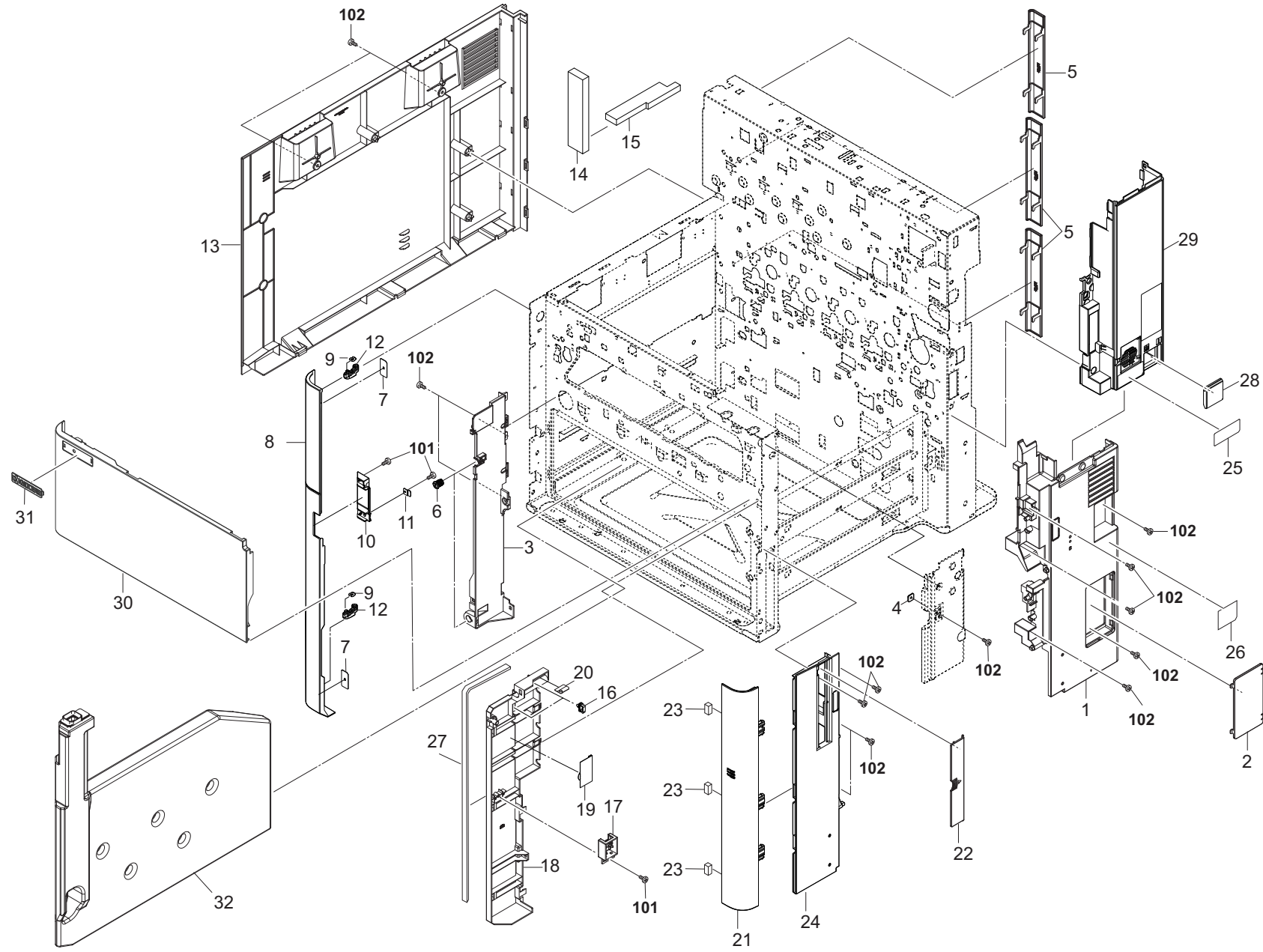


FIG. 1 Covers 1

| Ref No. | Part.No. | Description | Notes | Revision | Quantity | | | |
|---------|-----------------|------------------------------|--------|----------|----------|-----|-----|-----|
| | | | | | 100 | 120 | 230 | 240 |
| 1 | 302NH04420 | COVER RIGHT LOWER R | | | 1 | 1 | 1 | 1 |
| 2 | 302NH04590 | COVER INTERFACE | | | 1 | 1 | 1 | 1 |
| 3 | 302NH04460 | COVER INNER CASSETTE L | | | 1 | 1 | 1 | 1 |
| 4 | 3CY06030 | RETAINER M4 | | | 1 | 1 | 1 | 1 |
| 5 | 302NH04480 | LID RIGHT COVER | | | 3 | 3 | 3 | 3 |
| 6 | 302K904620 | MAGNET CATCH | | | 2 | 2 | 2 | 2 |
| 7 | 2FB04270 | PLATE MAGNET | | | 2 | 2 | 2 | 2 |
| 8 | 302NH04050 | COVER WASTE BOTTLE | | | 1 | 1 | 1 | 1 |
| 9 | 5MVX111DN003 | RING STOPPER /A-49 FEED A4 | | | 2 | 2 | 2 | 2 |
| 10 | 302K904650 | LEVER BOTTLE COVER | | | 1 | 1 | 1 | 1 |
| 11 | 2BL06890 | PLATE BYPASS HOLD | | | 1 | 1 | 1 | 1 |
| 12 | 302NH04380 | HINGE WASTE COVER A | | | 2 | 2 | 2 | 2 |
| 13 | 302NH04410 | COVER LEFT LOWER | | | 1 | 1 | 1 | 1 |
| 14 | 302K933810 | SPONGE COVER LEFT LOWER A | | | 1 | 1 | 1 | 1 |
| 15 | 302K933820 | SPONGE COVER LEFT LOWER B | | | 1 | 1 | 1 | 1 |
| 16 | 7YZM610007++H01 | ACCESS.SADDLE | | | 2 | 2 | 2 | 2 |
| 17 | 302LC02710 | COVER HUMIDITY SENSOR | | | 1 | 1 | 1 | 1 |
| 18 | 302NH04470 | COVER INNER CASSETTE R | | | 1 | 1 | 1 | 1 |
| 19 | 302K902980 | SHEET HUMIDITY SENSOR | | | 1 | 1 | 1 | 1 |
| 20 | 302LC06210 | GUIDE WIRE FEED LOW | | | 1 | 1 | 1 | 1 |
| 21 | 302NH04160 | COVER RIGHT LOWER B | | | 1 | 1 | 1 | 1 |
| 22 | 302NH04530 | COVER HANDLE | | | 1 | 1 | 1 | 1 |
| 23 | 302K933G40 | SPONGE COVER RIGHT LOWER F | | | 3 | 3 | 3 | 3 |
| 24 | 302NH04070 | COVER RIGHT LOWER A | | | 1 | 1 | 1 | 1 |
| 25 | 302NH34310 | LABEL SW CAUTION EN | | | | 1 | 1 | 1 |
| 25 | 302NH34300 | LABEL SW CAUTION JP | | | 1 | | | |
| 26 | 302NH34400 | LABEL POWER CABLE CAUTION JP | | | 1 | | | |
| 27 | 302K933G50 | SPONGE INNER CASSETTE | | | 1 | 1 | 1 | 1 |
| 28 | 302NH04540 | COVER MAIN SWITCH | | | 1 | 1 | 1 | 1 |
| 29 | 302NH04600 | COVER RIGHT MIDDLE R | | | 1 | 1 | 1 | 1 |
| 30 | 302NH04010 | COVER FRONT UPPER A | | | 1 | 1 | 1 | 1 |
| 31 | 302DY04011 | EMBLEM KC 1SG 70 B | | | 1 | 1 | 1 | 1 |
| 32 | 1902K90UN0 | WT-861/WASTE TONER BOTTLE | OPTION | | 1 | 1 | 1 | 1 |
| 101 | 7BB200308H | +BIND T.T P SCREW 3X8 | | | | | | |
| 102 | 7BB180408H | +BIND T.T S SCREW 4X8(BLACK) | | | | | | |

FIG. 2 Covers 2

2XP/2XN

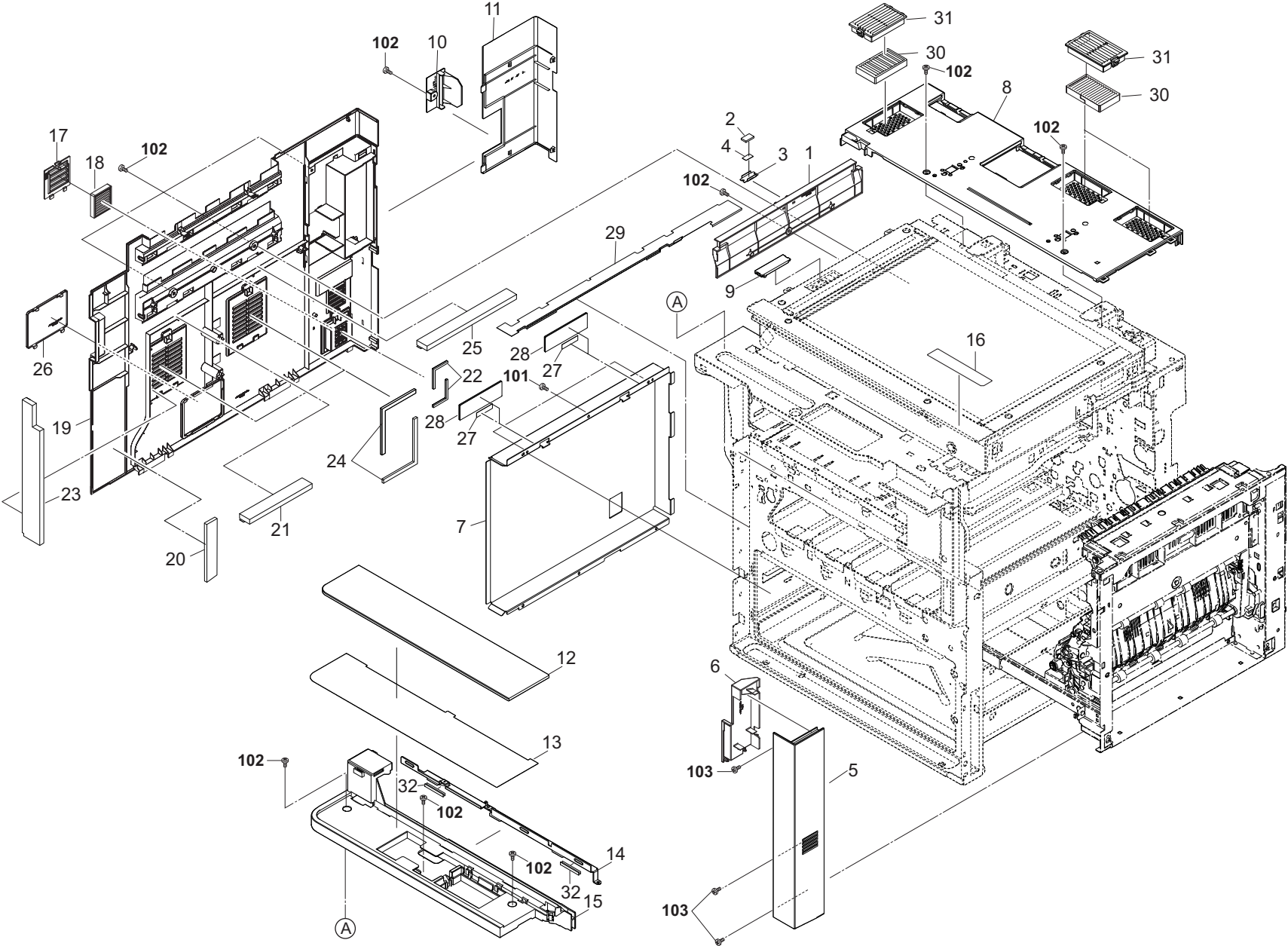


FIG. 2 Covers 2

2XP/2XN

| Ref No. | Part.No. | Description | Notes | Revision | Quantity | | | |
|---------|------------|----------------------------------|-------|----------|----------|-----|-----|-----|
| | | | | | 100 | 120 | 230 | 240 |
| 1 | 302NH04400 | COVER ISU LEFT INNER | | | 1 | 1 | 1 | 1 |
| 2 | 302GR04370 | MAGNET CLIP DISH | | | 1 | 1 | 1 | 1 |
| 3 | 303NB24210 | HOLDER MAGNET | | | 1 | 1 | 1 | 1 |
| 4 | 302GR04380 | SEAL MAGNET | | | 1 | 1 | 1 | 1 |
| 5 | 302NH29010 | COVER RIGHT FRONT | | | 1 | 1 | 1 | 1 |
| 6 | 302N729671 | COVER INNER CONVEYING FRONT | | | 1 | 1 | 1 | 1 |
| 7 | 302K904490 | CASE WASTE BOTTLE | | | 1 | 1 | 1 | 1 |
| 8 | 302NH04080 | COVER ISU REAR | | | 1 | 1 | 1 | 1 |
| 9 | 302NH04560 | COVER ISU LEFT SUB | | | 1 | 1 | 1 | 1 |
| 10 | 302NH04580 | LID CONTROLLER | | | 1 | 1 | 1 | 1 |
| 11 | 302NH04230 | COVER CONTROLLER | | | 1 | 1 | 1 | 1 |
| 12 | 302NH04270 | MOUNT GLASS TABLE | | | 1 | 1 | 1 | 1 |
| 13 | 302NH04370 | SHEET GLASS TABLE | | | 1 | 1 | 1 | 1 |
| 14 | 302K904340 | MOUNT WASTE BOTTLE COVER | | | 1 | 1 | 1 | 1 |
| 15 | 302NH04040 | COVER FRONT TOP | | | 1 | 1 | 1 | 1 |
| 16 | 302RH34050 | LABEL OPERATION CAUTION B | | | | 1 | 1 | 1 |
| 16 | 302RH34040 | LABEL OPERATION CAUTION A | | | 1 | | | |
| 17 | 302NH04500 | LID LEFT COVER REAR | | | 1 | 1 | 1 | 1 |
| 18 | 302LC33370 | FILTER LEFT SIDE | | | 1 | 1 | 1 | 1 |
| 19 | 302NH04220 | COVER LEFT UPPER | | | 1 | 1 | 1 | 1 |
| 20 | 302K933G20 | SPONGE LEFT COVER | | | 1 | 1 | 1 | 1 |
| 21 | 302K933930 | SPONGE COVER LEFT UPPER D | | | 1 | 1 | 1 | 1 |
| 22 | 302K933330 | SPONGE DUCT DLP C | | | 2 | 2 | 2 | 2 |
| 23 | 302K933790 | SPONGE COVER LEFT UPPER A | | | 1 | 1 | 1 | 1 |
| 24 | 302K933800 | SPONGE COVER LEFT UPPER B | | | 4 | 4 | 4 | 4 |
| 25 | 302K933920 | SPONGE COVER LEFT UPPER C | | | 1 | 1 | 1 | 1 |
| 26 | 302NH04550 | LID LEFT COVER | | | 1 | 1 | 1 | 1 |
| 27 | 302K933910 | SEAL FRAME LEFT | | | 2 | 2 | 2 | 2 |
| 28 | 302J502020 | SHEET FRAME CENTER | | | 2 | 2 | 2 | 2 |
| 29 | 302K933840 | FILM SEAL TONER C | | | 1 | 1 | 1 | 1 |
| 30 | 302WA33010 | FILTER TOP | | | 3 | 3 | 3 | 3 |
| 31 | 302ND04980 | COVER FILTER EXIT | | | 3 | 3 | 3 | 3 |
| 32 | 302LF33290 | SEAL DISPOSAL C | | | 2 | 2 | 2 | 2 |
| 101 | 7BB700408H | +BIND T.T S SCREW 4X8 SR | | | | | | |
| 102 | 7BB180408H | +BIND T.T S SCREW 4X8(BLACK) | | | | | | |
| 103 | 7BB780410H | +BIND T.T S SCREW 4X10 SR(BLACK) | | | | | | |

FIG. 3 Covers 3

2XP/2XN

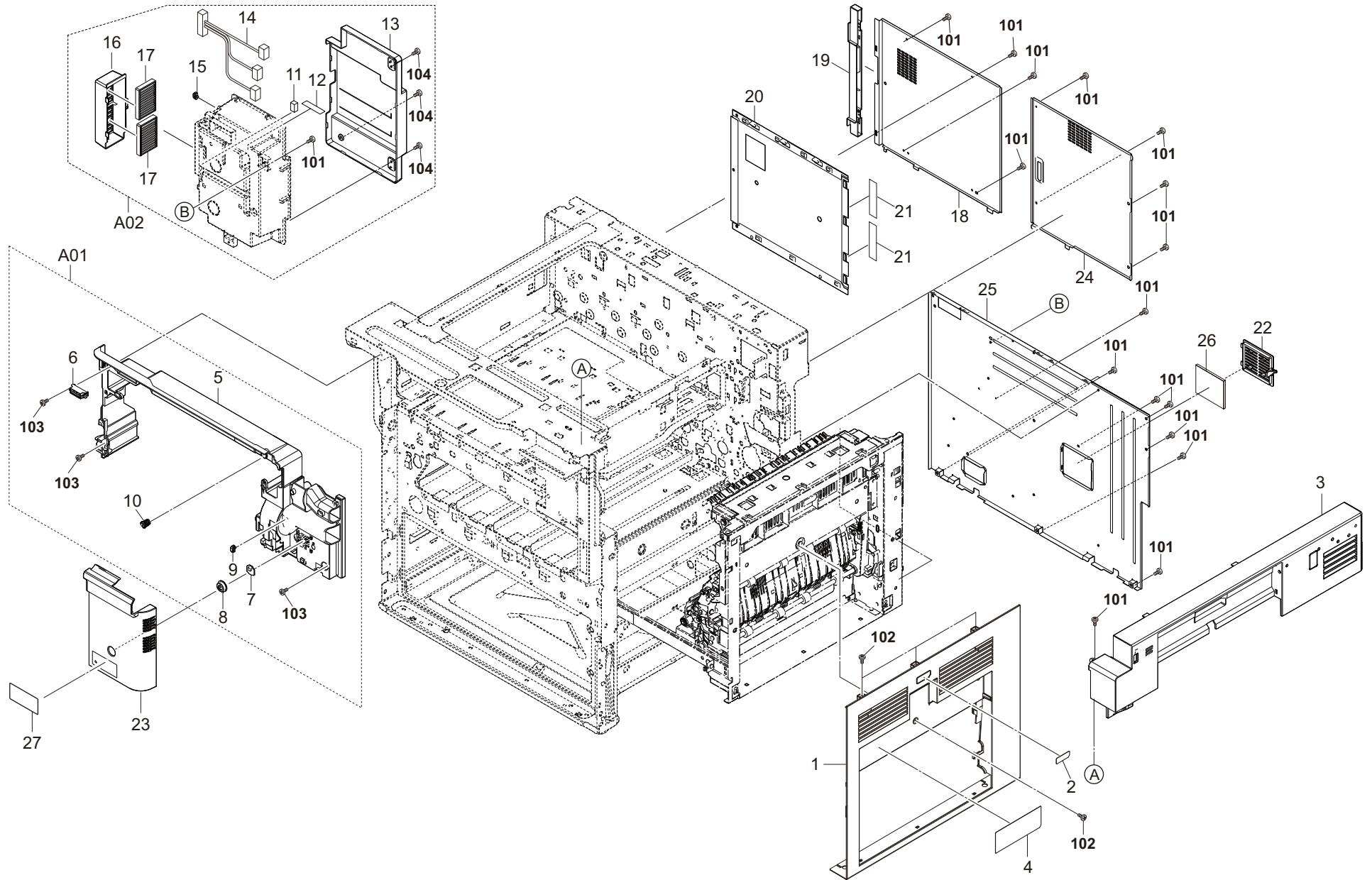


FIG. 3 Covers 3

| Ref No. | Part.No. | Description | Notes | Revision | Quantity | | | |
|---------|-------------------|---------------------------------------|-------|----------|----------|-----|-----|-----|
| | | | | | 100 | 120 | 230 | 240 |
| 1 | 302NH29070 | COVER RIGHT | | | 1 | 1 | 1 | 1 |
| 2 | 302NH34550 | LABEL MPF PUSH | | | 1 | 1 | 1 | 1 |
| 3 | 302NH04100 | COVER RIGHT UPPER | | | 1 | 1 | 1 | 1 |
| 4 | 302NH34510 | LABEL MPF CAUTION B | | | 1 | 1 | 1 | 1 |
| A01 | 302NH94071 | PARTS COVER INNER ASSY SP | | | 1 | 1 | 1 | 1 |
| 5 | •302NH04211 | COVER INNER | | | 1 | 1 | 1 | 1 |
| 6 | •302LF04130 | MAGNET CATCH | | | 1 | 1 | 1 | 1 |
| 7 | •302NG94300 | PARTS PWB SWITCH ASSY SP | | | 1 | 1 | 1 | 1 |
| 8 | •302NH04490 | KEY POWER | | | 1 | 1 | 1 | 1 |
| 9 | •7YZM610007+++H01 | ACCESS.SADDLE | | | 1 | 1 | 1 | 1 |
| 10 | •302K904620 | MAGNET CATCH | | | 1 | 1 | 1 | 1 |
| A02 | 302NH94084 | PARTS DISPOSAL UNIT(M3) SP | | | 1 | 1 | 1 | 1 |
| 11 | •302H708150 | SPONGE WIRE MPT | | | 1 | 1 | 1 | 1 |
| 12 | •302H733300 | REAR FILM FRAME MID | | | 1 | 1 | 1 | 1 |
| 13 | •302NH33080 | LID DISPOSAL | | | 1 | 1 | 1 | 1 |
| 14 | •302NH46B00 | CONN.CORD ASSY TONER DUCT FAN A JOINT | | | 1 | 1 | 1 | 1 |
| 15 | •7YZM610007+++H01 | ACCESS.SADDLE | | | 1 | 1 | 1 | 1 |
| 16 | •302NH33060 | COVER FILTER LEFT SIDE | | | 1 | 1 | 1 | 1 |
| 17 | •302K933A80 | FILTER LEFT SIDE | | | 2 | 2 | 2 | 2 |
| 18 | 302NH04140 | COVER REAR UPPER A | | | 1 | 1 | 1 | 1 |
| 19 | 302NH04240 | HANDLE REAR COVER | | | 1 | 1 | 1 | 1 |
| 20 | 302NH39370 | LID SHIELD BOX | | | 1 | 1 | 1 | 1 |
| 21 | 7ZGSTGPF1100H01 | SHIELD GASKET | | | 2 | 2 | 2 | 2 |
| 22 | 302NH04570 | LID REAR COVER | | | 1 | 1 | 1 | 1 |
| 23 | 302NH04021 | COVER FRONT UPPER B | | | 1 | 1 | 1 | 1 |
| 24 | 302NH04150 | COVER REAR UPPER B | | | 1 | 1 | 1 | 1 |
| 25 | 302NH04330 | COVER REAR LOWER M | | | 1 | 1 | 1 | 1 |
| 26 | 302LC33500 | FILTER DLP COOLING | | | 1 | 1 | 1 | 1 |
| 27 | 302XN34010 | SHEET EMBLEM 8353C | 83ppm | | 1 | 1 | 1 | 1 |
| 27 | 302XP34010 | SHEET EMBLEM 7353C | 73ppm | | 1 | 1 | 1 | 1 |
| 101 | 7BB782308H | +TP-FLAT T.T S SCREW 3X8 SR(BLACK) | | | | | | |
| 102 | 7BB180408H | +BIND T.T S SCREW 4X8(BLACK) | | | | | | |
| 103 | 7BB700408H | +BIND T.T S SCREW 4X8 SR | | | | | | |
| 104 | 7BB282308H | +TP-FLAT T.T P SCREW 3X8(BLACK) | | | | | | |

FIG. 4 Frames

2XP/2XN

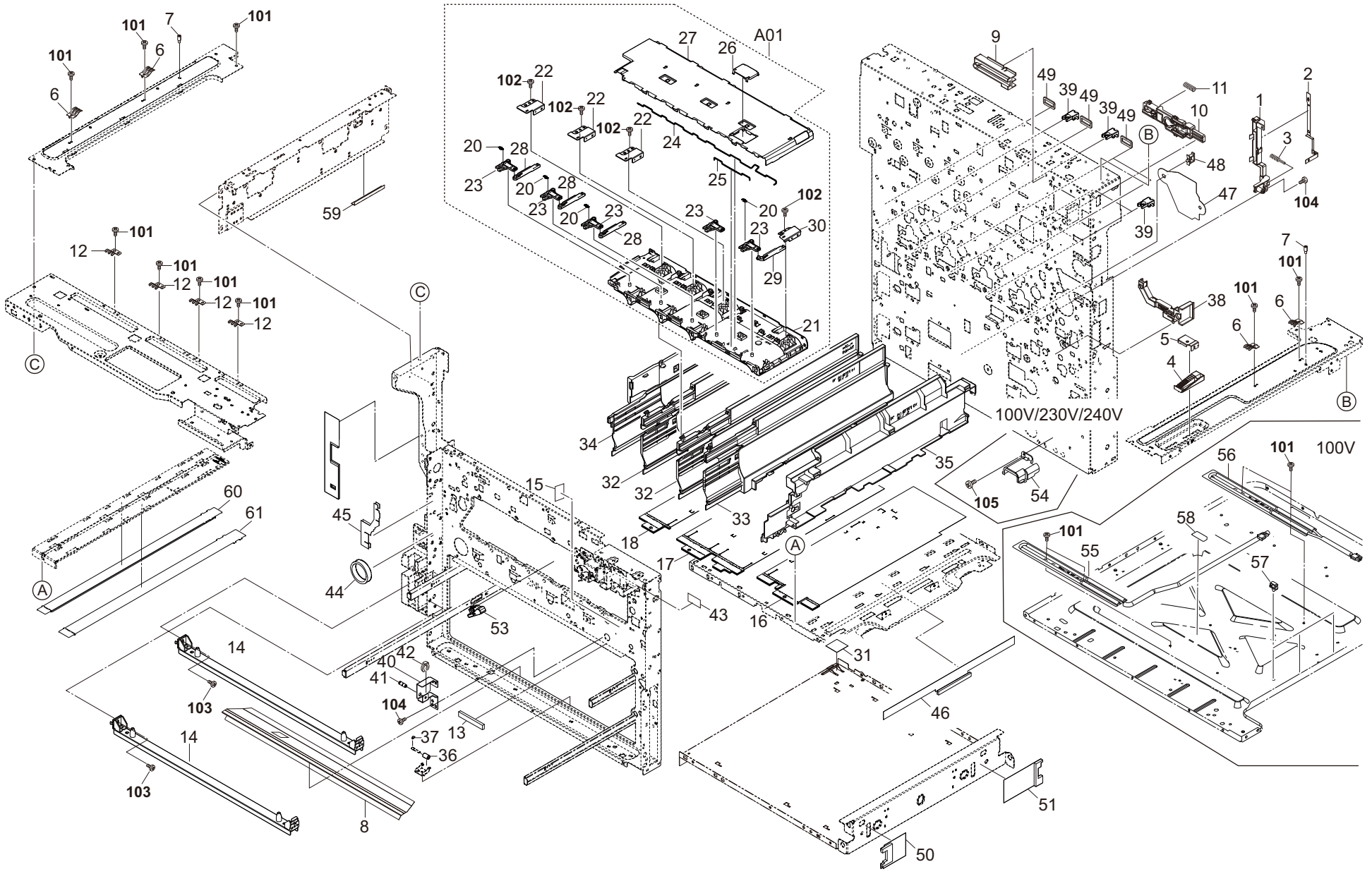


FIG. 4 Frames

2XP/2XN

| Ref No. | Part.No. | Description | Notes | Revision | Quantity | | | |
|---------|------------------|---------------------------------|-------|----------|----------|-----|-----|-----|
| | | | | | 100 | 120 | 230 | 240 |
| 1 | 302K939340 | GUIDE HV SEPARATION | | | 1 | 1 | 1 | 1 |
| 2 | 302K939350 | PLATE HV SEPARATION | | | 1 | 1 | 1 | 1 |
| 3 | 302K939360 | SPRING HV | | | 1 | 1 | 1 | 1 |
| 4 | 302K902950 | ADJUSTER SCANNER | | | 1 | 1 | 1 | 1 |
| 5 | 302K902960 | MOUNT RUBBER SCANNER | | | 1 | 1 | 1 | 1 |
| 6 | 302H017310 | GROUND SCANNER REAR | | | 4 | 4 | 4 | 4 |
| 7 | 302FB16320 | PIN ROLLER RELEASE LEVER | | | 2 | 2 | 2 | 2 |
| 8 | 302NH02170 | FILM BASE CASSETTE | | | 1 | 1 | 1 | 1 |
| 9 | 302K902850 | RAIL EXIT REAR | | | 1 | 1 | 1 | 1 |
| 10 | 302K931690 | LEVER RELEASE FUSER DRIVE | | | 1 | 1 | 1 | 1 |
| 11 | 302K931980 | SPRING LEVER RELEASE | | | 1 | 1 | 1 | 1 |
| 12 | 302H017380 | GROUND BASE SCANNER | | | 4 | 4 | 4 | 4 |
| 13 | 302LF33350 | SPONGE INNER LOWER | | | 1 | 1 | 1 | 1 |
| 14 | 302NH09340 | STAY CASSETTE FRONT | | | 2 | 2 | 2 | 2 |
| 15 | 302HS08310 | FILM TE SENSOR | | | 1 | 1 | 1 | 1 |
| 16 | 302K902580 | FILM FRAME UPPER K | | | 1 | 1 | 1 | 1 |
| 17 | 302K902590 | FILM FRAME UPPER MC | | | 1 | 1 | 1 | 1 |
| 18 | 302K902600 | FILM FRAME UPPER Y | | | 1 | 1 | 1 | 1 |
| A01 | 302NH94271 | PARTS STOPPER CONTAINER ASSY SP | | | 1 | 1 | 1 | 1 |
| 20 | *302F925770 | SPRING EARTH HEAT | | | 4 | 4 | 4 | 4 |
| 21 | *302NH03341 | BASE TOP CONTAINER | | | 1 | 1 | 1 | 1 |
| 22 | *302NH03350 | MOUNT SOLENOID | | | 3 | 3 | 3 | 3 |
| 23 | *302NH03370 | ACTUATOR LID | | | 5 | 5 | 5 | 5 |
| 24 | *302NH03381 | LEVER OPEN COVER | | | 1 | 1 | 1 | 1 |
| 25 | *302NH03390 | LEVER OPEN COVER K | | | 1 | 1 | 1 | 1 |
| 26 | *302NH03400 | COVER OUTER | | | 1 | 1 | 1 | 1 |
| 27 | *302NH03451 | LID TOP CONTAINER | | | 1 | 1 | 1 | 1 |
| 28 | *302NH03460 | ACTUATOR SOLENOID | | | 3 | 3 | 3 | 3 |
| 29 | *302NH03471 | ACTUATOR SOLENOID K | | | 1 | 1 | 1 | 1 |
| 30 | *302NH03490 | MOUNT SOLENOID K | | | 1 | 1 | 1 | 1 |
| 31 | 302FB26540 | FILM S-BOX C | | | 1 | 1 | 1 | 1 |
| 32 | 302NH03410 | RAIL CONTAINER C | | | 2 | 2 | 2 | 2 |
| 33 | 302NH03420 | RAIL CONTAINER RC | | | 1 | 1 | 1 | 1 |
| 34 | 302NH03430 | RAIL CONTAINER L | | | 1 | 1 | 1 | 1 |
| 35 | 302NH03810 | RAIL CONTAINER R | | | 1 | 1 | 1 | 1 |
| 36 | 303NJ06070 | PULLEY FEED PF | | | 1 | 1 | 1 | 1 |
| 37 | 5MVX111DN007 | STOPPER 3 /2BT1107 A4 | | | 1 | 1 | 1 | 1 |
| 38 | 302K902820 | GUIDE WIRE ID | | | 1 | 1 | 1 | 1 |
| 39 | 302FZ02591 | HOOK DLP | | | 4 | 4 | 4 | 4 |
| 40 | 302K903310 | PLATE HOOK | | | 1 | 1 | 1 | 1 |
| 41 | 302K903390 | PIN PLATE HOOK | | | 1 | 1 | 1 | 1 |
| 42 | 5MVX111DN003 | RING STOPPER /A-49 FEED A4 | | | 1 | 1 | 1 | 1 |
| 43 | 302H733300 | REAR FILM FRAME MID | | | 1 | 1 | 1 | 1 |
| 44 | 302K933340 | SPONGE DUCT LSU A | | | 1 | 1 | 1 | 1 |
| 45 | 302K933A00 | FILM FRONT FRAME | | | 1 | 1 | 1 | 1 |
| 46 | 302K933360 | SHEET FUSER GUARD | | | 1 | 1 | 1 | 1 |
| 47 | 302K939610 | SHEET WIRE CASSETTE | | | 1 | 1 | 1 | 1 |
| 48 | 7YZM610008+++H01 | ACCESS.SADDLE | | | 1 | 1 | 1 | 1 |
| 49 | 302K933D20 | SPONGE PIPE FRONT | | | 4 | 4 | 4 | 4 |
| 50 | 302K933E20 | SEAL SLIDER F | | | 1 | 1 | 1 | 1 |

FIG. 4 Frames

2XP/2XN

| Ref No. | Part.No. | Description | Notes | Revision | Quantity | | | |
|---------|-----------------|-----------------------------|-------|----------|----------|-----|-----|-----|
| | | | | | 100 | 120 | 230 | 240 |
| 51 | 302K933E30 | SEAL SLIDER R | | | 1 | 1 | 1 | 1 |
| 52 | 302K933G10 | SEAL LEFT FRONT | | | 1 | 1 | 1 | 1 |
| 53 | 302NH02550 | COVER IMAGE RELEASE | | | 1 | 1 | 1 | 1 |
| 54 | 303NF04140 | COVER CONNECTOR HEATER | | | 1 | | 1 | 1 |
| 55 | 302NH44060 | HEATER DEHUMIDIFIER 100 | | | 1 | | | |
| 56 | 302R444050 | HEATER DEHUMIDIFIER 100 | | | 1 | | | |
| 57 | 7YZM610001++H01 | ACCESS SADDLE | | | 3 | | | |
| 58 | 302K934150 | LABEL HIGH TEMP | | | 1 | | | |
| 59 | 302K902810 | SHEET LSU LEFT | | | 1 | 1 | 1 | 1 |
| 60 | 302XN39020 | SHEET FRONT FFC 40 | | | 1 | 1 | 1 | 1 |
| 61 | 302XN39030 | SHEET FRONT FFC 45 | | | 1 | 1 | 1 | 1 |
| 101 | 7BB700308H | +BIND T.T S SCREW 3X8 SR | | | | | | |
| 102 | 7BB200308H | +BIND T.T P SCREW 3X8 | | | | | | |
| 103 | 7BB702308H | +TP-FLAT T.T S SCREW 3X8 SR | | | | | | |
| 104 | 7BB700408H | +BIND T.T S SCREW 4X8 SR | | | | | | |
| 105 | 7BB700410H | +BIND T.T S SCREW 4X10 SR | | | | | | |

FIG. 5 Paper Cassette

2XP/2XN

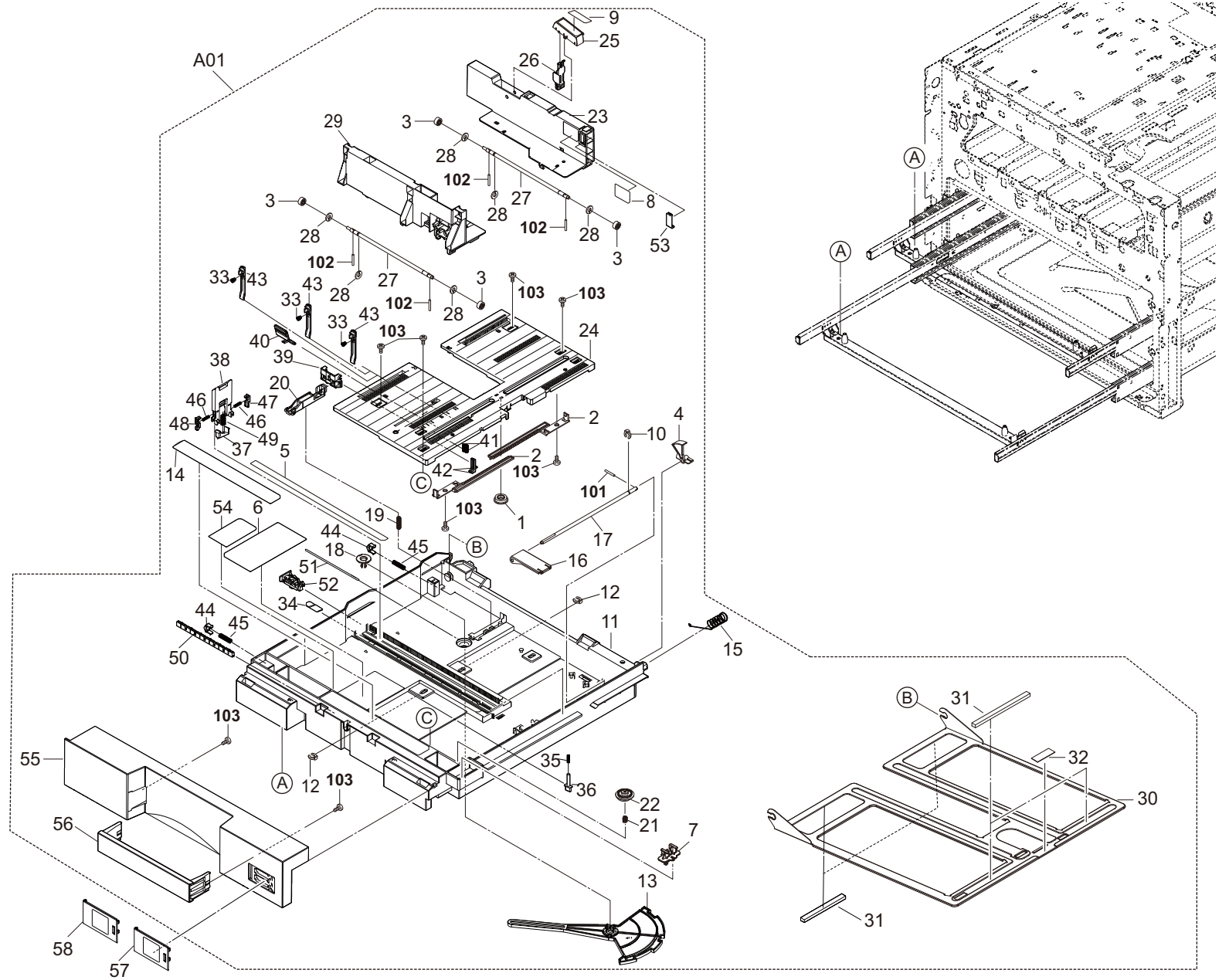


FIG. 5 Paper Cassette

| Ref No. | Part.No. | Description | Notes | Revision | Quantity | | | |
|---------|---------------|--------------------------------|-------|----------|----------|-----|-----|-----|
| | | | | | 100 | 120 | 230 | 240 |
| A01 | 302NH93011 | CT-8720 | | | 2 | 2 | 2 | 2 |
| 1 | •302BM07410 | GEAR GUIDE SIDE | | | 1 | 1 | 1 | 1 |
| 2 | •302K909060 | RACK CURSOR | | | 2 | 2 | 2 | 2 |
| 3 | •302K994550 | PARTS GEAR CURSOR SP | | | 4 | 4 | 4 | 4 |
| 4 | •302K909270 | ACTUATOR PAPER LEVEL DETECTION | | | 1 | 1 | 1 | 1 |
| 5 | •302NH34710 | LABEL PAPER SIZE A | | | 1 | 1 | 1 | 1 |
| 6 | •302NH34720 | LABEL PAPER SIZE B | | | 1 | 1 | 1 | 1 |
| 7 | •302GR09991 | LIFT LOCK | | | 1 | 1 | 1 | 1 |
| 8 | •302NH34730 | LABEL CASSETTE PAPER MAX | | | 1 | 1 | 1 | 1 |
| 9 | •302K934100 | LABEL CASSETTE CURSOR LOCK | | | 1 | 1 | 1 | 1 |
| 10 | •5MVX111DN003 | RING STOPPER /A-49 FEED A4 | | | 1 | 1 | 1 | 1 |
| 11 | •302NH09010 | CASSETTE BASE | | | 1 | 1 | 1 | 1 |
| 12 | •2BC06910 | STOPPER 6 | | | 2 | 2 | 2 | 2 |
| 13 | •302N209030 | ARM SIZE DETECTION | | | 1 | 1 | 1 | 1 |
| 14 | •302NH34700 | LABEL CASSETTE OPERATION | | | 1 | 1 | 1 | 1 |
| 15 | •302N209040 | SPRING CASSETTE EARTH | | | 1 | 1 | 1 | 1 |
| 16 | •302K909090 | PLATE WORK | | | 1 | 1 | 1 | 1 |
| 17 | •302K909190 | SHAFT WORK PLATE | | | 1 | 1 | 1 | 1 |
| 18 | •302K909140 | CAP TURN PLATE | | | 1 | 1 | 1 | 1 |
| 19 | •302K906260 | SPRING PICK UP | | | 1 | 1 | 1 | 1 |
| 20 | •302NH09250 | LEVER SIDE SW | | | 1 | 1 | 1 | 1 |
| 21 | •302NH25890 | SPRING ROTATION | | | 1 | 1 | 1 | 1 |
| 22 | •302NH09100 | CAM CURSOR RAIL | | | 1 | 1 | 1 | 1 |
| 23 | •302NH09040 | CURSOR REAR | | | 1 | 1 | 1 | 1 |
| 24 | •302NH09020 | RAIL CURSOR | | | 1 | 1 | 1 | 1 |
| 25 | •302K909121 | LEVER CURSOR LOCK REAR | | | 1 | 1 | 1 | 1 |
| 26 | •302NH09150 | LOCK REAR CURSOR | | | 1 | 1 | 1 | 1 |
| 27 | •302NH09130 | SHAFT CURSOR GEAR | | | 2 | 2 | 2 | 2 |
| 28 | •302K924820 | CUT-WASHER 4 | | | 6 | 6 | 6 | 6 |
| 29 | •302NH09030 | CURSOR FRONT | | | 1 | 1 | 1 | 1 |
| 30 | •302K909082 | PLATE PAPER BOTTOM | | | 1 | 1 | 1 | 1 |
| 31 | •302N209050 | CUSHION BOTTOM PLATE | | | 4 | 4 | 4 | 4 |
| 32 | •302K909261 | PAD BOTTOM | | | 1 | 1 | 1 | 1 |
| 33 | •302NT09060 | SPRING CURSOR SET | | | 3 | 3 | 3 | 3 |
| 34 | •302NH34340 | LABEL PAPER SIZE 18 | | | 1 | 1 | 1 | 1 |
| 35 | •302HN09190 | SPRING FIX | | | 1 | 1 | 1 | 1 |
| 36 | •302HN09240 | SIZE FIX | | | 1 | 1 | 1 | 1 |
| 37 | •302K309350 | STOPPER SIZE SET | | | 1 | 1 | 1 | 1 |
| 38 | •302NH09070 | CURSOR END | | | 1 | 1 | 1 | 1 |
| 39 | •302ND09050 | COVER CURSOR F | | | 1 | 1 | 1 | 1 |
| 40 | •302ND09060 | LEVER CURSOR F | | | 1 | 1 | 1 | 1 |
| 41 | •302ND09070 | SPRING RELEASE CURSOR | | | 2 | 2 | 2 | 2 |
| 42 | •302ND09080 | RACK CURSOR F | | | 2 | 2 | 2 | 2 |
| 43 | •302ND09130 | LEVER CURSOR SET | | | 3 | 3 | 3 | 3 |
| 44 | •302ND09240 | LEVER CASSETTE SET | | | 2 | 2 | 2 | 2 |
| 45 | •302ND09250 | SPRING CASSETTE SET | | | 2 | 2 | 2 | 2 |
| 46 | •302ND09320 | SPRING CURSOR RACK | | | 2 | 2 | 2 | 2 |
| 47 | •302ND09330 | CURSOR END RACK R | | | 1 | 1 | 1 | 1 |
| 48 | •302ND09340 | CURSOR END RACK L | | | 1 | 1 | 1 | 1 |
| 49 | •302ND09350 | SPRING SIZE FIX E | | | 1 | 1 | 1 | 1 |

FIG. 6 Paper Deck Covers

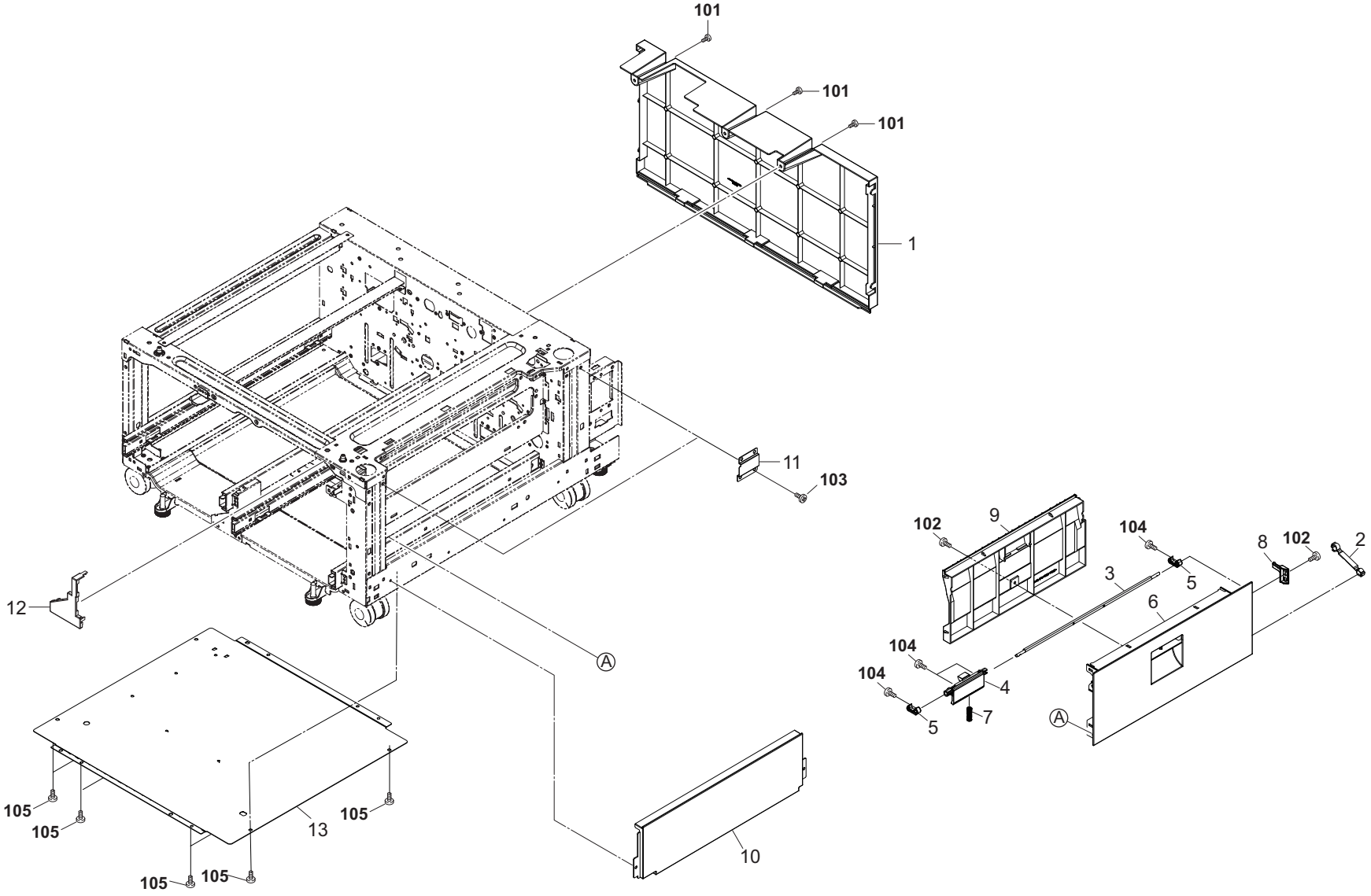


FIG. 6 Paper Deck Covers

2XP/2XN

| Ref No. | Part.No. | Description | Notes | Revision | Quantity | | | |
|---------|------------|------------------------------|-------|----------|----------|-----|-----|-----|
| | | | | | 100 | 120 | 230 | 240 |
| 1 | 302NH04440 | COVER DECK REAR | | | 1 | 1 | 1 | 1 |
| 2 | 303NJ06050 | STRAP | | | 1 | 1 | 1 | 1 |
| 3 | 302K906681 | SHAFT FEED LOW HOOK | | | 1 | 1 | 1 | 1 |
| 4 | 302NH06040 | HANDLE FEED LOW | | | 1 | 1 | 1 | 1 |
| 5 | 302K906670 | HOOK FEED LOW | | | 2 | 2 | 2 | 2 |
| 6 | 302NH06060 | COVER FEED LOW | | | 1 | 1 | 1 | 1 |
| 7 | 302FZ20021 | SPRING LID | | | 1 | 1 | 1 | 1 |
| 8 | 303NF06170 | LEVER SW | | | 1 | 1 | 1 | 1 |
| 9 | 303NF06141 | GUIDE VERTICAL | | | 1 | 1 | 1 | 1 |
| 10 | 302NH04450 | COVER RIGHT LOWER M | | | 1 | 1 | 1 | 1 |
| 11 | 302K902290 | PLATE JOINT RIGHT | | | 2 | 2 | 2 | 2 |
| 12 | 303NF04130 | COVER MOUNT SLIDER | | | 1 | 1 | 1 | 1 |
| 13 | 303NF02122 | PLATE LOW | | | 1 | 1 | 1 | 1 |
| 101 | 7BB180408H | +BIND T.T S SCREW 4X8(BLACK) | | | | | | |
| 102 | 7BB200410H | +BIND T.T P SCREW 4X10 | | | | | | |
| 103 | 7BB700408H | +BIND T.T S SCREW 4X8 SR | | | | | | |
| 104 | 7BB600306H | +BIND M SCREW 3X6 R | | | | | | |
| 105 | 7BB700410H | +BIND T.T S SCREW 4X10 SR | | | | | | |

FIG. 7 Paper Deck Cassettes

2XP/2XN

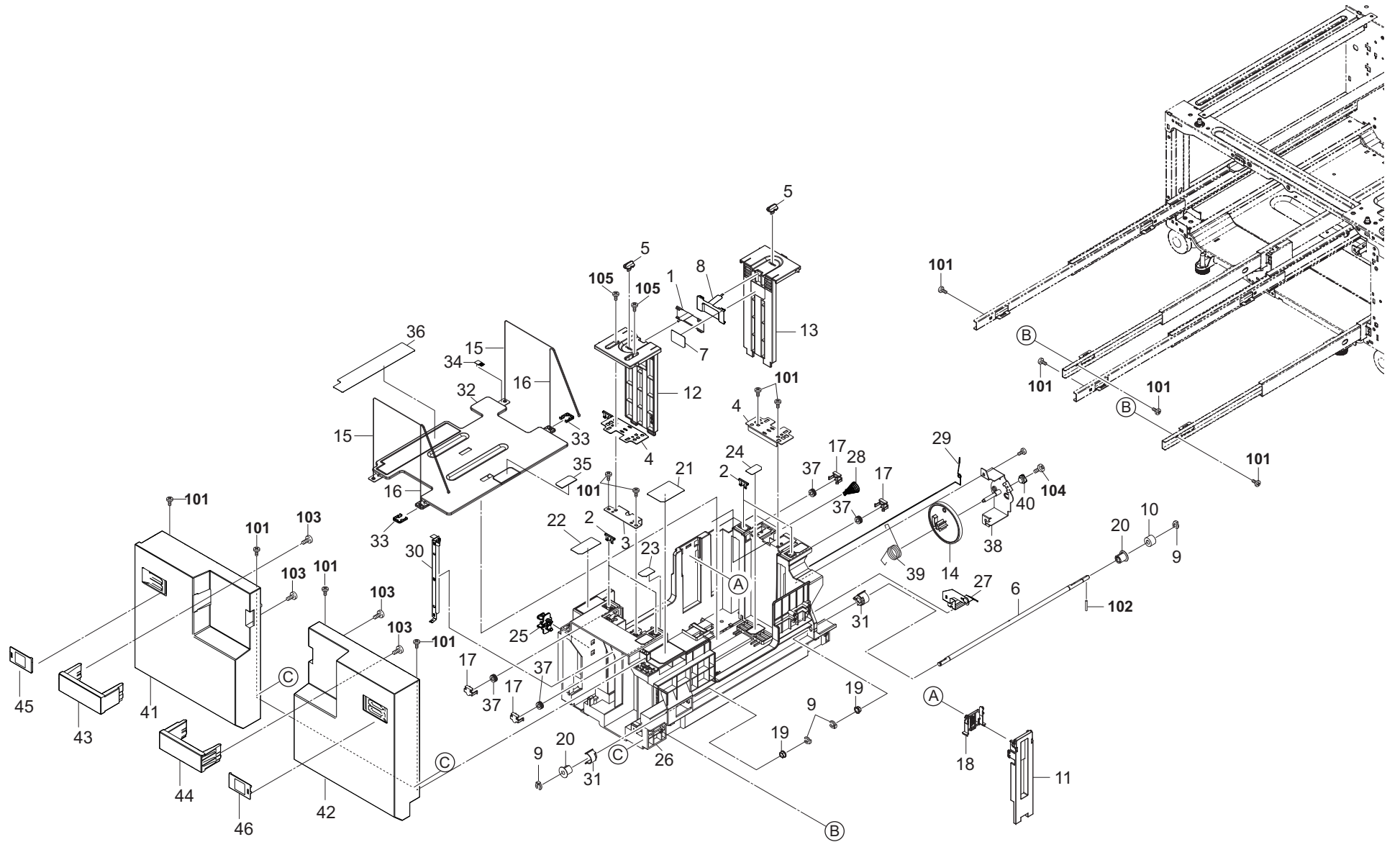


FIG. 7 Paper Deck Cassettes

2XP/2XN

| Ref No. | Part.No. | Description | Notes | Revision | Quantity | | | |
|---------|------------|---------------------------------|-------|----------|----------|-----|-----|-----|
| | | | | | 100 | 120 | 230 | 240 |
| 1 | 303NF10100 | PLATE DECK SUB | | | 2 | 2 | 2 | 2 |
| 2 | 303NF10150 | PLATE WIRE LOCK | | | 8 | 8 | 8 | 8 |
| 3 | 303NF10390 | MOUNT CURSOR ADJUST | | | 2 | 2 | 2 | 2 |
| 4 | 303NF10110 | MOUNT CURSOR | | | 4 | 4 | 4 | 4 |
| 5 | 303NF10250 | PIN CURSOR LOCK | | | 4 | 4 | 4 | 4 |
| 6 | 303NF10130 | SHAFT DECK LIFT | | | 2 | 2 | 2 | 2 |
| 7 | 302NH34760 | LABEL DECK PAPER LIMIT | | | 2 | 2 | 2 | 2 |
| 8 | 303NF10530 | PLATE DECK SUB | | | 2 | 2 | 2 | 2 |
| 9 | 2BC06980 | STOPPER 5 | | | 8 | 8 | 8 | 8 |
| 10 | 2BC07110 | GEAR 20 | | | 2 | 2 | 2 | 2 |
| 11 | 303NF10070 | CURSOR END DECK | | | 2 | | 2 | 2 |
| 12 | 303NF10080 | CURSOR DECK FRONT | | | 2 | 2 | 2 | 2 |
| 13 | 303NF10091 | CURSOR DECK REAR | | | 2 | 2 | 2 | 2 |
| 14 | 303NF10550 | GEAR DAMPER 100 | | | 2 | 2 | 2 | 2 |
| 15 | 303NF10180 | WIRE LIFT A | | | 4 | 4 | 4 | 4 |
| 16 | 303NF10190 | WIRE LIFT B | | | 4 | 4 | 4 | 4 |
| 17 | 303NF10220 | STOPPER PULLEY | | | 8 | 8 | 8 | 8 |
| 18 | 303NF10410 | CURSOR END SUB | | | 2 | | 2 | 2 |
| 19 | 28107310 | BUSH 8 | | | 4 | 4 | 4 | 4 |
| 20 | 2BC07020 | FRONT PULLEY,LIFT DRIVE | | | 4 | 4 | 4 | 4 |
| 21 | 302NH34770 | LABEL DECK PAPER DIRECTION | | | 2 | 2 | 2 | 2 |
| 22 | 302NH34780 | LABEL DECK OPERATION B | | | 2 | 2 | 2 | 2 |
| 23 | 303NF34060 | LABEL DECK SIZE B | | | 2 | | 2 | 2 |
| 24 | 303NF34080 | LABEL DECK SIZE D | | | 2 | | 2 | 2 |
| 25 | 302GR09991 | LIFT LOCK | | | 2 | 2 | 2 | 2 |
| 26 | 303NF10013 | DECK CASSETTE | | | 2 | 2 | 2 | 2 |
| 27 | 303NF10430 | PLATE EARTH REAR | | | 2 | 2 | 2 | 2 |
| 28 | 303NF10450 | WIRE EARTH B | | | 2 | 2 | 2 | 2 |
| 29 | 303NF10440 | WIRE EARTH A | | | 2 | 2 | 2 | 2 |
| 30 | 303NF10420 | PLATE EARTH FRONT | | | 2 | 2 | 2 | 2 |
| 31 | 303NF10320 | HOLDER PULLEY | | | 4 | 4 | 4 | 4 |
| 32 | 303NF10051 | PLATE LIFT DECK | | | 2 | 2 | 2 | 2 |
| 33 | 2BC07120 | SPACER,DECK LIFT | | | 4 | 4 | 4 | 4 |
| 34 | 303JY37220 | STATIC ELIMINATOR CURSOR | | | 2 | 2 | 2 | 2 |
| 35 | 303NF10021 | PAD BOTTOM DECK | | | 2 | 2 | 2 | 2 |
| 36 | 303NF34011 | LABEL DECK OPERATION A | | | 2 | | 2 | 2 |
| 37 | 303NF10300 | PULLEY LIFT WIRE | | | 8 | 8 | 8 | 8 |
| 38 | 303NF10560 | MOUNT DECK DAMPER | | | 2 | 2 | 2 | 2 |
| 39 | 303NF10570 | SPRING LIFT STOPPER | | | 2 | 2 | 2 | 2 |
| 40 | 302G404160 | DAMPER | | | 2 | 2 | 2 | 2 |
| 41 | 302NH04110 | COVER DECK LEFT | | | 1 | 1 | 1 | 1 |
| 42 | 302NH04120 | COVER DECK RIGHT | | | 1 | 1 | 1 | 1 |
| 43 | 303RC04030 | COVER DECK HANDLE LEFT | | | 1 | 1 | 1 | 1 |
| 44 | 303RC04020 | COVER DECK HANDLE RIGHT | | | 1 | 1 | 1 | 1 |
| 45 | 303RB09010 | COVER CASSETTE LABEL 3 | | | 1 | 1 | 1 | 1 |
| 46 | 303RC09010 | COVER CASSETTE LABEL 4R | | | 1 | 1 | 1 | 1 |
| 101 | 7BB200410H | +BIND T.T P SCREW 4X10 | | | | | | |
| 102 | E0030240 | SPRING PIN 3X24 | | | | | | |
| 103 | 7BB282308H | +TP-FLAT T.T P SCREW 3X8(BLACK) | | | | | | |
| 104 | 7BB007304H | +TP-CUP M SCREW 3X4 | | | | | | |
| 105 | 7BB700410H | +BIND T.T S SCREW 4X10 SR | | | | | | |

FIG. 8 Paper Deck Feed Section 1

2XP/2XN

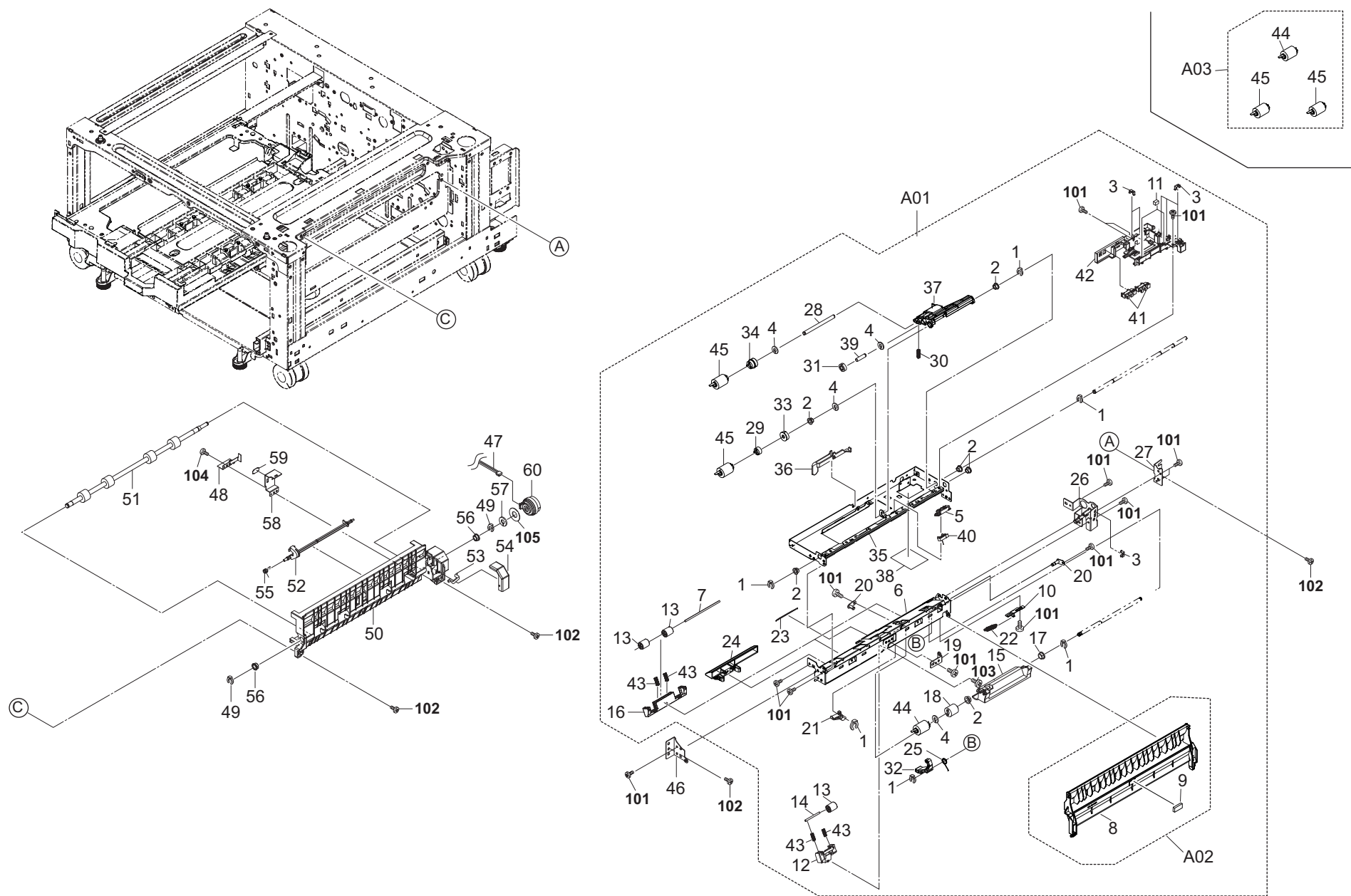


FIG. 8 Paper Deck Feed Section 1

2XP/2XN

| Ref No. | Part.No. | Description | Notes | Revision | Quantity | | | |
|---------|---------------|---------------------------------|-------|----------|----------|-----|-----|-----|
| | | | | | 100 | 120 | 230 | 240 |
| A01 | 302NH94250 | PARTS PRIMARY FEED UNIT DECK SP | | | 1 | 1 | 1 | 1 |
| 1 | •5MVX111DN003 | RING STOPPER /A-49 FEED A4 | | | 6 | 6 | 6 | 6 |
| 2 | •302K324450 | BUSH 6 | | | 6 | 6 | 6 | 6 |
| 3 | •302K931080 | WIRE STOPPER | | | 6 | 6 | 6 | 6 |
| 4 | •302K924820 | CUT-WASHER 4 | | | 4 | 4 | 4 | 4 |
| 5 | •302K906290 | HOLDER SENSOR FEED | | | 1 | 1 | 1 | 1 |
| 6 | •302NH06080 | PLATE FRAME LOWER | | | 1 | 1 | 1 | 1 |
| 7 | •302NH06980 | SHAFT FEED LOW | | | 2 | 2 | 2 | 2 |
| A02 | •303NF94162 | PARTS GUIDE VF RIGHT SET SP | | | 1 | 1 | 1 | 1 |
| 8 | ••303NF06131 | GUIDE VF RIGHT | | | 1 | 1 | 1 | 1 |
| 9 | ••302H715070 | FRONT SPONGE CASE STAY | | | 1 | 1 | 1 | 1 |
| 10 | •302K906420 | PLATE RETARD ADJUST | | | 1 | 1 | 1 | 1 |
| 11 | •302H708150 | SPONGE WIRE MPT | | | 2 | 2 | 2 | 2 |
| 12 | •302K906700 | HOLDER PULLEY | | | 1 | 1 | 1 | 1 |
| 13 | •302F929260 | PULLEY DU LOW | | | 5 | 5 | 5 | 5 |
| 14 | •302NH06990 | SHAFT ASSIST PULLEY | | | 1 | 1 | 1 | 1 |
| 15 | •302NH06070 | HOLDER RETARD | | | 1 | 1 | 1 | 1 |
| 16 | •302K906280 | HOLDER PRIM FEED PULLEY | | | 2 | 2 | 2 | 2 |
| 17 | •34806040 | LOWER BUSHING,PAPER FEED | | | 1 | 1 | 1 | 1 |
| 18 | •302K906750 | TORQUE-LIMITER 390 | | | 1 | 1 | 1 | 1 |
| 19 | •302NH06090 | PLATE RETARD HOLDER | | | 1 | 1 | 1 | 1 |
| 20 | •302N406150 | FULCRUM-PIN RETARD | | | 2 | 2 | 2 | 2 |
| 21 | •302N406130 | LEVER RETARD RELEASE | | | 1 | 1 | 1 | 1 |
| 22 | •302NH06100 | SPRING RETARD | | | 1 | 1 | 1 | 1 |
| 23 | •302K906721 | SHEET PRIMARY FEED HI | | | 1 | 1 | 1 | 1 |
| 24 | •302N406060 | GUIDE FRONT LOWER | | | 1 | 1 | 1 | 1 |
| 25 | •302N406140 | SPRING RETARD LOCK | | | 1 | 1 | 1 | 1 |
| 26 | •302K906111 | PLATE PRIMARY FEED DRIVE | | | 1 | 1 | 1 | 1 |
| 27 | •302K906270 | MOUNT PRIMARY FEED R | | | 1 | 1 | 1 | 1 |
| 28 | •302N406070 | SHAFT PICKUP PRIMARY | | | 1 | 1 | 1 | 1 |
| 29 | •302N406120 | ONEWAY-CLUTCH 6 | | | 1 | 1 | 1 | 1 |
| 30 | •302K906260 | SPRING PICK UP | | | 1 | 1 | 1 | 1 |
| 31 | •302N406170 | GEAR Z28 FEED | | | 1 | 1 | 1 | 1 |
| 32 | •302N406160 | LEVER RETARD LOCK | | | 1 | 1 | 1 | 1 |
| 33 | •302N406100 | GEAR Z32 FEED OW | | | 1 | 1 | 1 | 1 |
| 34 | •302N406110 | GEAR Z32 PICKUP | | | 1 | 1 | 1 | 1 |
| 35 | •302N406010 | PLATE FRAME UPPER | | | 1 | 1 | 1 | 1 |
| 36 | •302K906321 | ACTUATOR PAPER EMPTY | | | 1 | 1 | 1 | 1 |
| 37 | •302N406050 | HOLDER PICKUP | | | 1 | 1 | 1 | 1 |
| 38 | •303NF06350 | SHEET SOLENOID | | | 1 | 1 | 1 | 1 |
| 39 | •302K906080 | PIN PICK UP IDLE | | | 1 | 1 | 1 | 1 |
| 40 | •302K994580 | PARTS SENSOR OPT. SP | | | 1 | 1 | 1 | 1 |
| 41 | •303M894260 | PARTS SENSOR OPT SP | | | 2 | 2 | 2 | 2 |
| 42 | •302K906250 | GUIDE PRIM FEED WIRE | | | 1 | 1 | 1 | 1 |
| 43 | •302F925780 | SPRING DU | | | 6 | 6 | 6 | 6 |
| A03 | •302N494230 | PARTS PULLEY SET SP | | | 1 | 1 | 1 | 1 |
| 44 | ••302N406040 | PULLEY RETARD | | | 1 | 1 | 1 | 1 |
| 45 | ••302N406030 | PULLEY FEED | | | 2 | 2 | 2 | 2 |
| 46 | 302K906100 | MOUNT PRIMARY FEED | | | 1 | 1 | 1 | 1 |
| 47 | 303NJ46080 | WIRE VERTICAL 1 | | | 1 | 1 | 1 | 1 |

FIG. 9 Paper Deck Feed Section 2

2XP/2XN

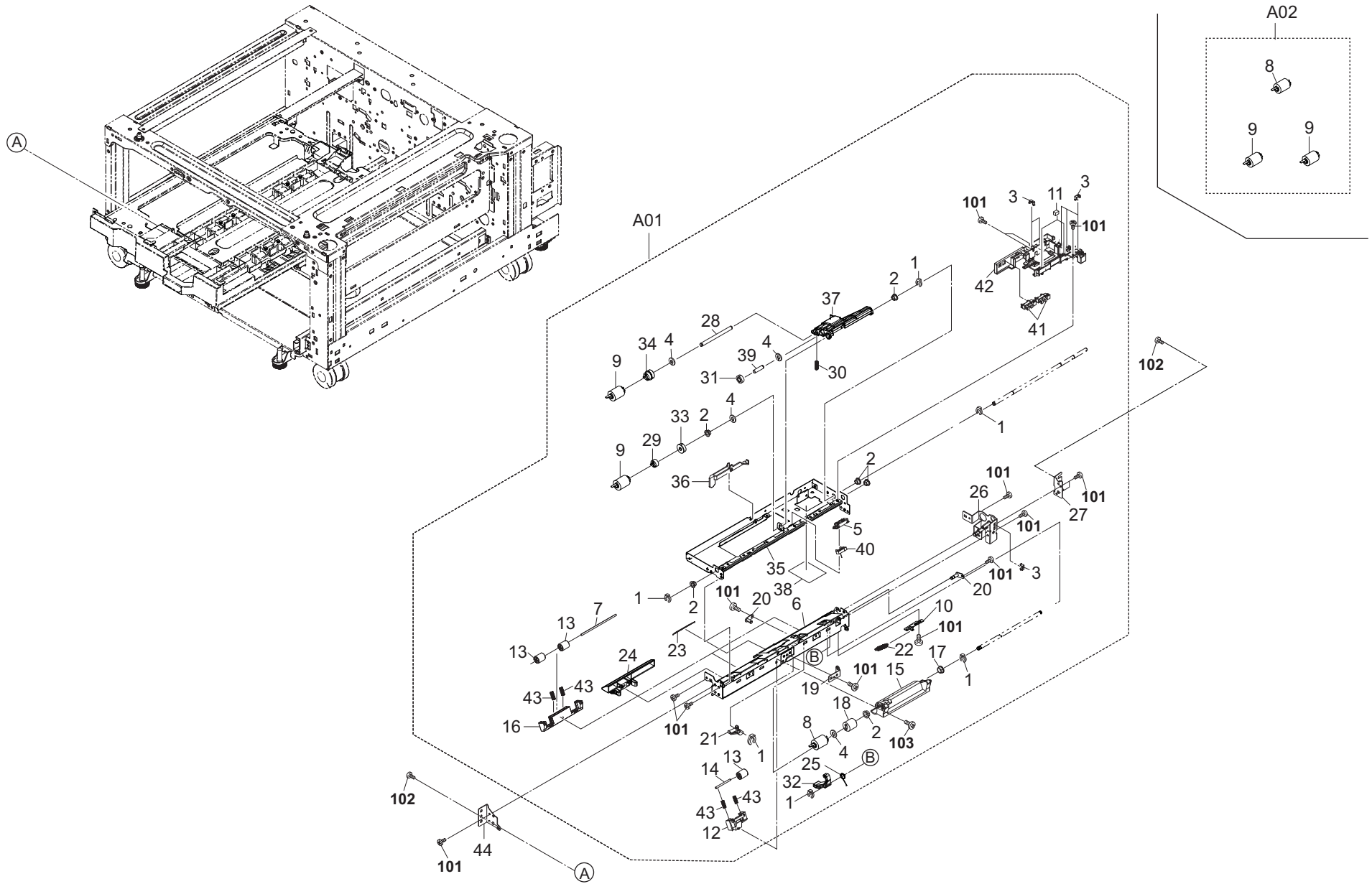


FIG. 9 Paper Deck Feed Section 2

2XP/2XN

| Ref No. | Part.No. | Description | Notes | Revision | Quantity | | | |
|---------|---------------|---------------------------------|-------|----------|----------|-----|-----|-----|
| | | | | | 100 | 120 | 230 | 240 |
| A01 | 302NH94250 | PARTS PRIMARY FEED UNIT DECK SP | | | 1 | 1 | 1 | 1 |
| 1 | •5MVX111DN003 | RING STOPPER /A-49 FEED A4 | | | 6 | 6 | 6 | 6 |
| 2 | •302K324450 | BUSH 6 | | | 6 | 6 | 6 | 6 |
| 3 | •302K931080 | WIRE STOPPER | | | 6 | 6 | 6 | 6 |
| 4 | •302K924820 | CUT-WASHER 4 | | | 4 | 4 | 4 | 4 |
| 5 | •302K906290 | HOLDER SENSOR FEED | | | 1 | 1 | 1 | 1 |
| 6 | •302NH06080 | PLATE FRAME LOWER | | | 1 | 1 | 1 | 1 |
| 7 | •302NH06980 | SHAFT FEED LOW | | | 2 | 2 | 2 | 2 |
| A02 | •302N494230 | PARTS PULLEY SET SP | | | 1 | 1 | 1 | 1 |
| 8 | ••302N406040 | PULLEY RETARD | | | 1 | 1 | 1 | 1 |
| 9 | ••302N406030 | PULLEY FEED | | | 2 | 2 | 2 | 2 |
| 10 | •302K906420 | PLATE RETARD ADJUST | | | 1 | 1 | 1 | 1 |
| 11 | •302H708150 | SPONGE WIRE MPT | | | 2 | 2 | 2 | 2 |
| 12 | •302K906700 | HOLDER PULLEY | | | 1 | 1 | 1 | 1 |
| 13 | •302F929260 | PULLEY DU LOW | | | 5 | 5 | 5 | 5 |
| 14 | •302NH06990 | SHAFT ASSIST PULLEY | | | 1 | 1 | 1 | 1 |
| 15 | •302NH06070 | HOLDER RETARD | | | 1 | 1 | 1 | 1 |
| 16 | •302K906280 | HOLDER PRIM FEED PULLEY | | | 2 | 2 | 2 | 2 |
| 17 | •34806040 | LOWER BUSHING,PAPER FEED | | | 1 | 1 | 1 | 1 |
| 18 | •302K906750 | TORQUE-LIMITER 390 | | | 1 | 1 | 1 | 1 |
| 19 | •302NH06090 | PLATE RETARD HOLDER | | | 1 | 1 | 1 | 1 |
| 20 | •302N406150 | FULCRUM-PIN RETARD | | | 2 | 2 | 2 | 2 |
| 21 | •302N406130 | LEVER RETARD RELEASE | | | 1 | 1 | 1 | 1 |
| 22 | •302NH06100 | SPRING RETARD | | | 1 | 1 | 1 | 1 |
| 23 | •302K906721 | SHEET PRIMARY FEED HI | | | 1 | 1 | 1 | 1 |
| 24 | •302N406060 | GUIDE FRONT LOWER | | | 1 | 1 | 1 | 1 |
| 25 | •302N406140 | SPRING RETARD LOCK | | | 1 | 1 | 1 | 1 |
| 26 | •302K906111 | PLATE PRIMARY FEED DRIVE | | | 1 | 1 | 1 | 1 |
| 27 | •302K906270 | MOUNT PRIMARY FEED R | | | 1 | 1 | 1 | 1 |
| 28 | •302N406070 | SHAFT PICKUP PRIMARY | | | 1 | 1 | 1 | 1 |
| 29 | •302N406120 | ONEWAY-CLUTCH 6 | | | 1 | 1 | 1 | 1 |
| 30 | •302K906260 | SPRING PICK UP | | | 1 | 1 | 1 | 1 |
| 31 | •302N406170 | GEAR Z28 FEED | | | 1 | 1 | 1 | 1 |
| 32 | •302N406160 | LEVER RETARD LOCK | | | 1 | 1 | 1 | 1 |
| 33 | •302N406100 | GEAR Z32 FEED OW | | | 1 | 1 | 1 | 1 |
| 34 | •302N406110 | GEAR Z32 PICKUP | | | 1 | 1 | 1 | 1 |
| 35 | •302N406010 | PLATE FRAME UPPER | | | 1 | 1 | 1 | 1 |
| 36 | •302K906321 | ACTUATOR PAPER EMPTY | | | 1 | 1 | 1 | 1 |
| 37 | •302N406050 | HOLDER PICKUP | | | 1 | 1 | 1 | 1 |
| 38 | •303NF06350 | SHEET SOLENOID | | | 1 | 1 | 1 | 1 |
| 39 | •302K906080 | PIN PICK UP IDLE | | | 1 | 1 | 1 | 1 |
| 40 | •302K994580 | PARTS SENSOR OPT. SP | | | 1 | 1 | 1 | 1 |
| 41 | •303M894260 | PARTS SENSOR OPT SP | | | 2 | 2 | 2 | 2 |
| 42 | •302K906250 | GUIDE PRIM FEED WIRE | | | 1 | 1 | 1 | 1 |
| 43 | •302F925780 | SPRING DU | | | 6 | 6 | 6 | 6 |
| 44 | 302K906100 | MOUNT PRIMARY FEED | | | 1 | 1 | 1 | 1 |
| 101 | 7BB700308H | +BIND T.T S SCREW 3X8 SR | | | | | | |
| 102 | 7BB200412H | +BIND T.T P SCREW 4X12 | | | | | | |
| 103 | 7BB200308H | +BIND T.T P SCREW 3X8 | | | | | | |

FIG. 10 Paper Deck Feed Section 3

2XP/2XN

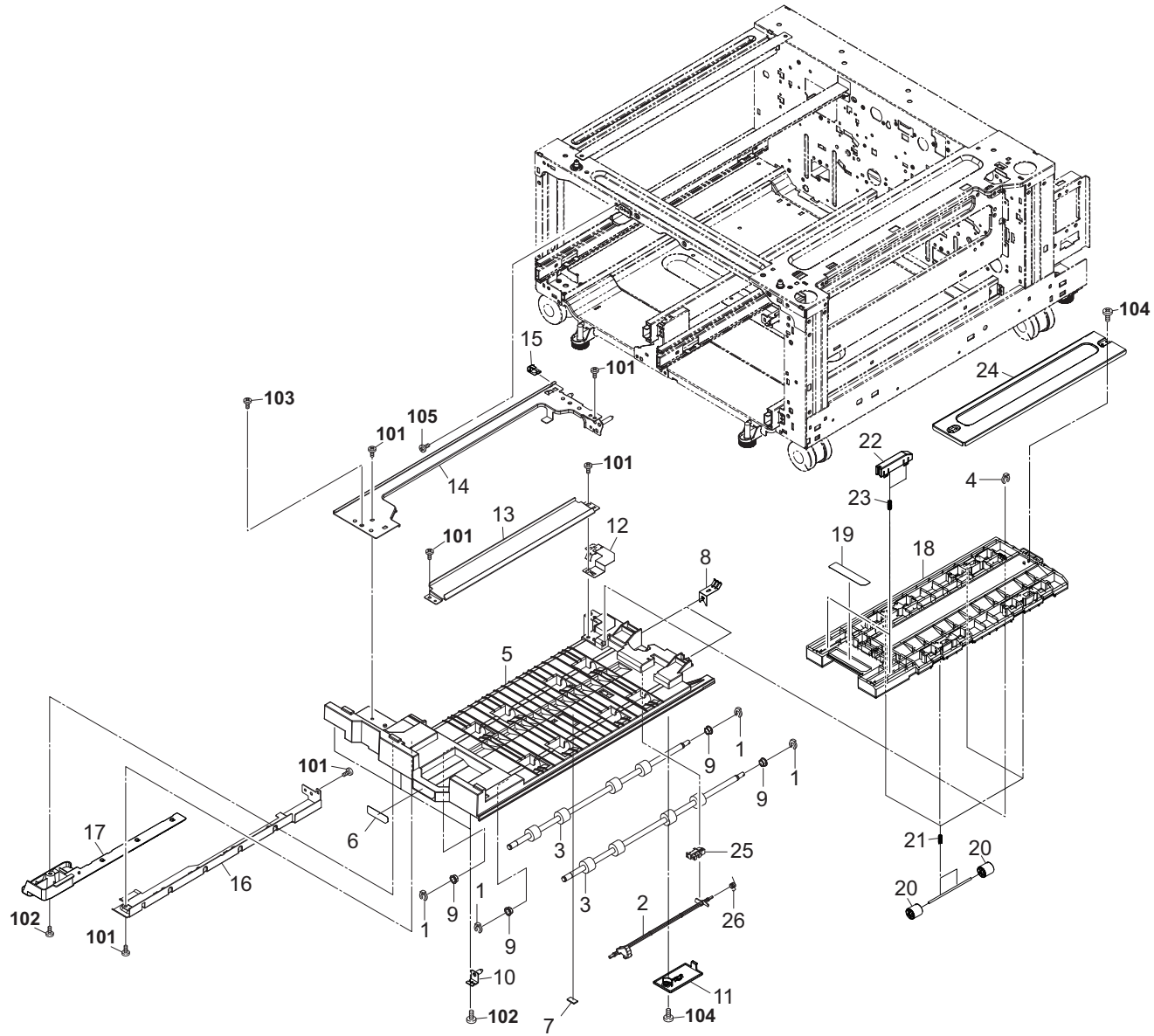


FIG. 10 Paper Deck Feed Section 3

2XP/2XN

| Ref No. | Part.No. | Description | Notes | Revision | Quantity | | | |
|---------|--------------|--------------------------------|-------|----------|----------|-----|-----|-----|
| | | | | | 100 | 120 | 230 | 240 |
| 1 | 2BC06910 | STOPPER 6 | | | 4 | 4 | 4 | 4 |
| 2 | 303NF06040 | ACTUATOR HF | | | 1 | 1 | 1 | 1 |
| 3 | 303NF94100 | PARTS ROLLER CONVEYING DECK SP | | | 2 | 2 | 2 | 2 |
| 4 | 5MVX111DN003 | RING STOPPER /A-49 FEED A4 | | | 1 | 1 | 1 | 1 |
| 5 | 303NF06011 | GUIDE HF LOWER | | | 1 | 1 | 1 | 1 |
| 6 | 303NF34100 | LABEL DECK B1 | | | 1 | 1 | 1 | 1 |
| 7 | 303NF06340 | CUSHION ACTUATOR | | | 1 | 1 | 1 | 1 |
| 8 | 303NF06060 | PLATE HF ROLLER | | | 2 | 2 | 2 | 2 |
| 9 | 28107310 | BUSH 8 | | | 4 | 4 | 4 | 4 |
| 10 | 303NF06270 | PIN HF LOWER | | | 3 | 3 | 3 | 3 |
| 11 | 303NF06260 | LID WIRE | | | 1 | 1 | 1 | 1 |
| 12 | 303NF06050 | PLATE HF L | | | 1 | 1 | 1 | 1 |
| 13 | 303NF06030 | GUIDE HF LEFT | | | 1 | 1 | 1 | 1 |
| 14 | 303NF06020 | RAIL HF LEFT | | | 1 | 1 | 1 | 1 |
| 15 | 303NF06070 | SLIDER HF RAIL | | | 1 | 1 | 1 | 1 |
| 16 | 303NF06282 | RAIL HF LOWER | | | 1 | 1 | 1 | 1 |
| 17 | 303NF06302 | SLIDER HF FRONT | | | 1 | 1 | 1 | 1 |
| 18 | 303NF06080 | GUIDE HF UPPER | | | 1 | 1 | 1 | 1 |
| 19 | 303NF34110 | LABEL DECK B2 | | | 1 | 1 | 1 | 1 |
| 20 | 302H722760 | PULLEY MIDDLE A | | | 8 | 8 | 8 | 8 |
| 21 | 303NF06320 | SPRING DECK FEED | | | 8 | 8 | 8 | 8 |
| 22 | 303NF06180 | LEVER HF UPPER | | | 2 | 2 | 2 | 2 |
| 23 | 302F708310 | SPRING LOCK MPF | | | 4 | 4 | 4 | 4 |
| 24 | 303NF06310 | STAY GUIDE UPPER | | | 1 | 1 | 1 | 1 |
| 25 | 303M894260 | PARTS SENSOR OPT SP | | | 1 | 1 | 1 | 1 |
| 26 | 302H729120 | SPRING ACT DU | | | 1 | 1 | 1 | 1 |
| 101 | 7BB200412H | +BIND T.T P SCREW 4X12 | | | | | | |
| 102 | 7BB200410H | +BIND T.T P SCREW 4X10 | | | | | | |
| 103 | 7BB700408H | +BIND T.T S SCREW 4X8 SR | | | | | | |
| 104 | 7BB202308H | +TP-FLAT T.T P SCREW 3X8 | | | | | | |
| 105 | 7BB700410H | +BIND T.T S SCREW 4X10 SR | | | | | | |

FIG. 11 Paper Deck Drive Section

2XP/2XN

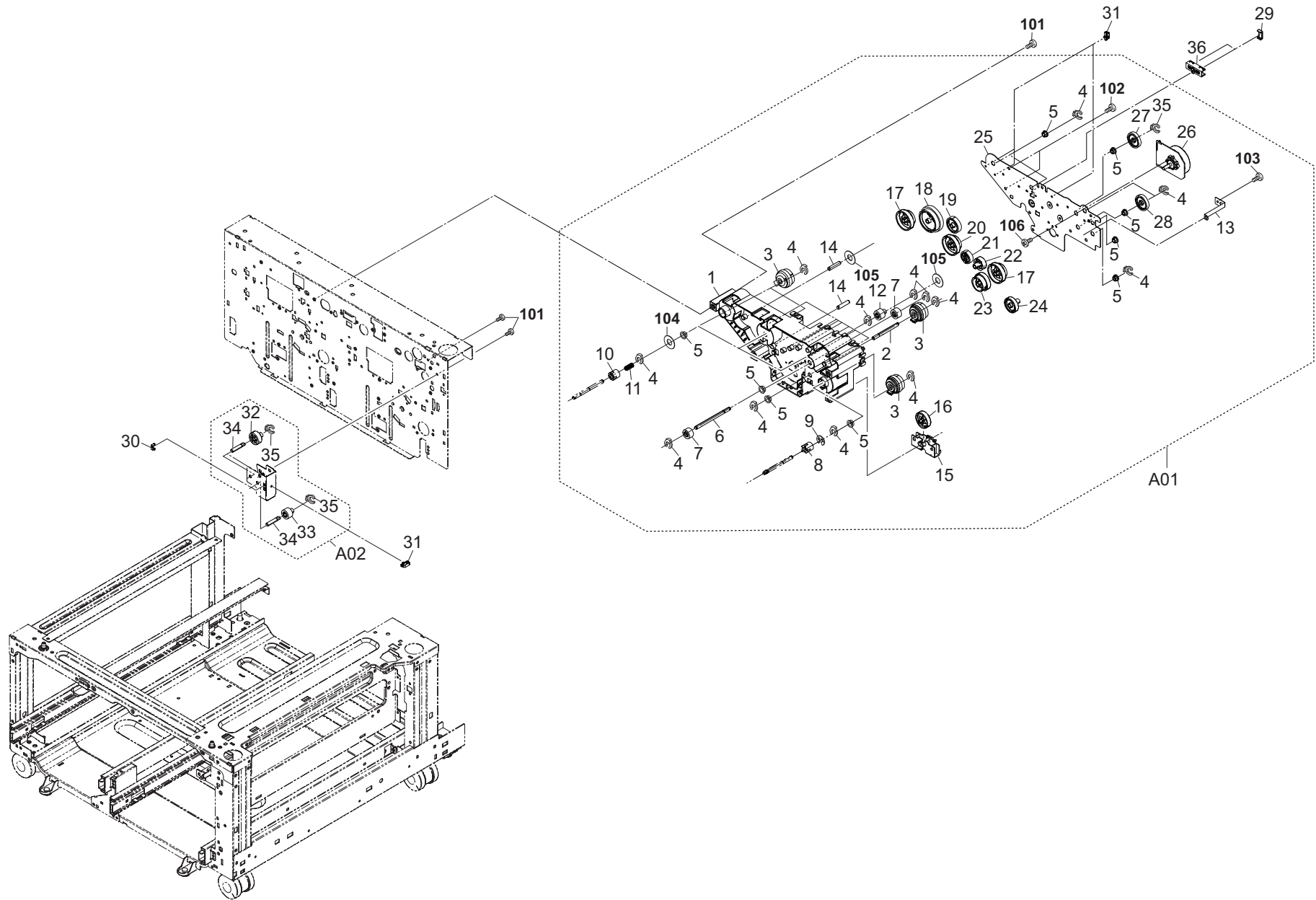


FIG. 11 Paper Deck Drive Section

2XP/2XN

| Ref No. | Part.No. | Description | Notes | Revision | Quantity | | | |
|---------|-----------------|-----------------------------------|-------|----------|----------|-----|-----|-----|
| | | | | | 100 | 120 | 230 | 240 |
| A01 | 302NH94281 | PARTS DRIVE UNIT SP | | | 1 | 1 | 1 | 1 |
| 1 | •303NF31011 | HOUSING MAIN DRIVE | | | 1 | 1 | 1 | 1 |
| 2 | •303NF31090 | SHAFT CLUTCH CONVEYING A | | | 1 | 1 | 1 | 1 |
| 3 | •302NH94540 | PARTS CLUTCH 50 Z35R SP | | | 4 | 4 | 4 | 4 |
| 4 | •5MVX111DN003 | RING STOPPER /A-49 FEED A4 | | | 18 | 18 | 18 | 18 |
| 5 | •302H702590 | BUSH SCREW | | | 12 | 12 | 12 | 12 |
| 6 | •303NF31110 | SHAFT FEED DRIVE B | | | 1 | 1 | 1 | 1 |
| 7 | •303NF31080 | GEAR Z20RD | | | 2 | 2 | 2 | 2 |
| 8 | •302K931530 | COUPLING DRIVE | | | 1 | 1 | 1 | 1 |
| 9 | •302K924820 | CUT-WASHER 4 | | | 1 | 1 | 1 | 1 |
| 10 | •303NF31180 | COUPLING DRIVE | | | 3 | 3 | 3 | 3 |
| 11 | •303NF31170 | SPRING DRIVE | | | 3 | 3 | 3 | 3 |
| 12 | •303NF31070 | GEAR Z20R | | | 1 | 1 | 1 | 1 |
| 13 | •303NF31030 | PLATE EARTH FEED | | | 1 | 1 | 1 | 1 |
| 14 | •303NJ31120 | PIN FEED DRIVE | | | 9 | 9 | 9 | 9 |
| 15 | •303NJ31031 | BRACKET GEAR CHANGE | | | 1 | 1 | 1 | 1 |
| 16 | •303NJ31060 | GEAR Z60R | | | 1 | 1 | 1 | 1 |
| 17 | •303NJ31140 | GEAR Z40R-Z34L | | | 2 | 2 | 2 | 2 |
| 18 | •303NF31040 | GEAR Z51L Z60L | | | 1 | 1 | 1 | 1 |
| 19 | •303NF31160 | GEAR Z36R | | | 1 | 1 | 1 | 1 |
| 20 | •303NJ31080 | GEAR Z75L-Z32L | | | 1 | 1 | 1 | 1 |
| 21 | •303NJ31130 | GEAR Z28R | | | 1 | 1 | 1 | 1 |
| 22 | •302JZ31170 | GEAR Z27L MAIN | | | 1 | 1 | 1 | 1 |
| 23 | •303NJ31070 | GEAR Z56L-Z40R | | | 1 | 1 | 1 | 1 |
| 24 | •303NF31150 | GEAR Z34L | | | 1 | 1 | 1 | 1 |
| 25 | •303NF31020 | PLATE DRIVE L | | | 1 | 1 | 1 | 1 |
| 26 | •302K994334 | PARTS MOTOR-BL W30 SP | | | 1 | 1 | 1 | 1 |
| 27 | •303NF31050 | GEAR Z35L | | | 1 | 1 | 1 | 1 |
| 28 | •303NF31060 | GEAR Z35R | | | 1 | 1 | 1 | 1 |
| 29 | 303LL02330 | HOLDER WIRE D | | | 2 | 2 | 2 | 2 |
| 30 | 7YZM610008++H01 | ACCESS.SADDLE | | | 4 | 4 | 4 | 4 |
| 31 | 302K931080 | WIRE STOPPER | | | 1 | 1 | 1 | 1 |
| A02 | 303NF94050 | PARTS DRIVE SUB UNIT SP | | | 1 | 1 | 1 | 1 |
| 32 | •302JZ31170 | GEAR Z27L MAIN | | | 2 | 2 | 2 | 2 |
| 33 | •303NF31070 | GEAR Z20R | | | 1 | 1 | 1 | 1 |
| 34 | •303NF31130 | PIN FEED DRIVE | | | 3 | 3 | 3 | 3 |
| 35 | •5MVX111DN003 | RING STOPPER /A-49 FEED A4 | | | 3 | 3 | 3 | 3 |
| 36 | 302LF39050 | GUIDE WIRE FRONT PWB | | | 1 | 1 | 1 | 1 |
| 101 | 7BB700410H | +BIND T.T S SCREW 4X10 SR | | | | | | |
| 102 | 7BB200410H | +BIND T.T P SCREW 4X10 | | | | | | |
| 103 | 7BB700308H | +BIND T.T S SCREW 3X8 SR | | | | | | |
| 104 | 7BC06062C020H01 | POLY SLIDER WASHER M6.2X12X0.2T | | | | | | |
| 105 | 5MBWK62955NN | POLY SLIDER /M6.2X9.5X0.5T PLASTC | | | | | | |
| 106 | 7BB000305H | +BIND M SCREW 3X5 | | | | | | |

FIG. 12 Paper Deck Electrical Components

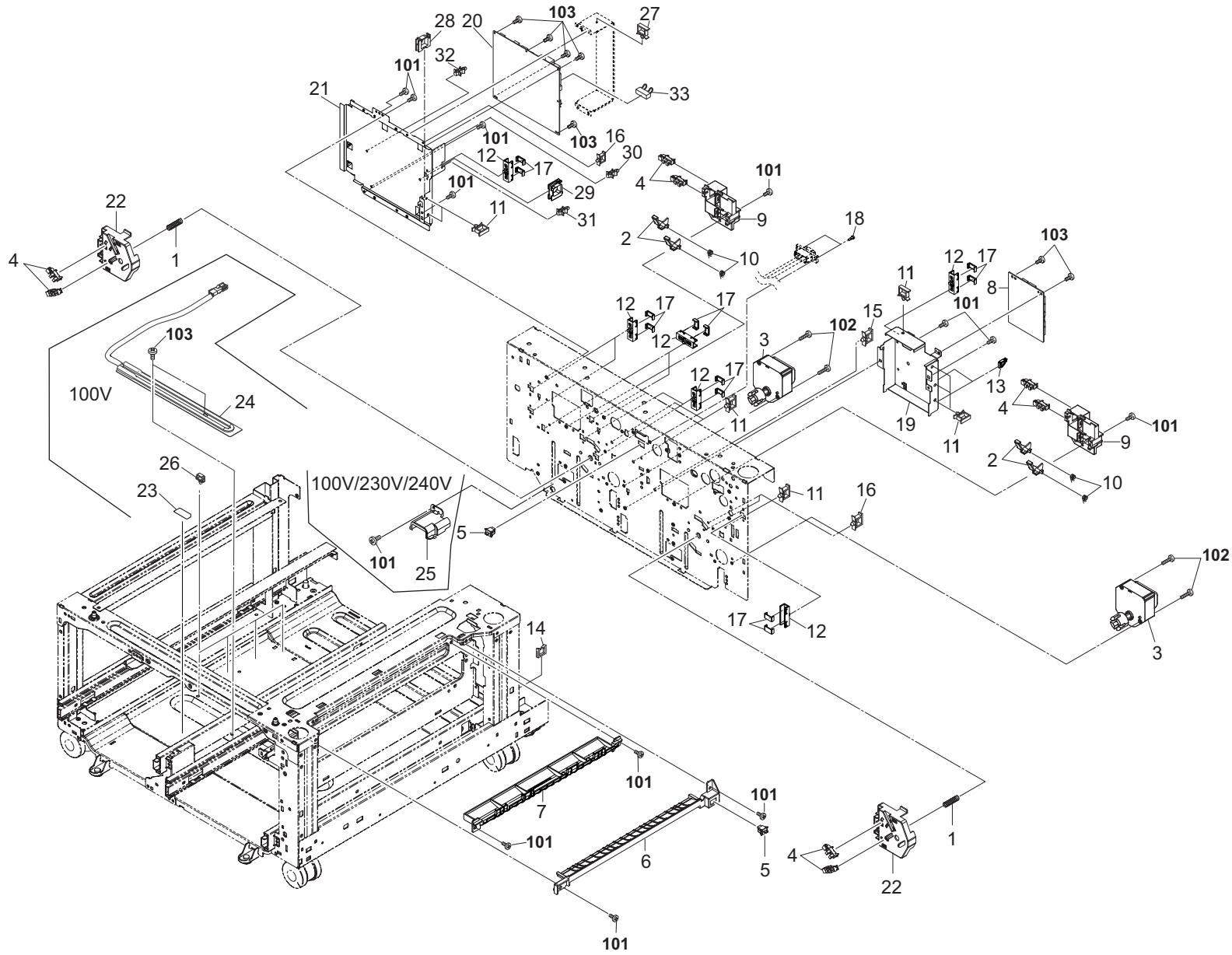


FIG. 12 Paper Deck Electrical Components

2XP/2XN-5.0

| Ref No. | Part.No. | Description | Notes | Revision | Quantity | | | |
|---------|-----------------|------------------------------|-------|-------------|----------|-----|-----|-----|
| | | | | | 100 | 120 | 230 | 240 |
| 1 | 2C902080 | SPRING DEV PUSH | | | 2 | 2 | 2 | 2 |
| 2 | 303NF10230 | ACTUATOR CASSETTE | | | 4 | 4 | 4 | 4 |
| 3 | 303NF94091 | PARTS MOTOR LIFT DECK SP | | | 2 | 2 | 2 | 2 |
| 4 | 303M894260 | PARTS SENSOR OPT SP | | | 8 | 8 | 8 | 8 |
| 5 | 7SP01000006+H01 | SW.PUSH | | | 2 | 2 | 2 | 2 |
| 6 | 303NF06120 | GUIDE LOWER MID | | | 1 | 1 | 1 | 1 |
| 7 | 303NF06110 | GUIDE UPPER MID | | | 1 | 1 | 1 | 1 |
| 8 | 302NH94300 | PARTS PWB FRONT DECK ASSY SP | | | 1 | 1 | 1 | 1 |
| 9 | 303NF10240 | MOUNT ACTUATOR CASSETTE | | | 2 | 2 | 2 | 2 |
| 10 | 302H729120 | SPRING ACT DU | | | 4 | 4 | 4 | 4 |
| 11 | 7YZM610002++H01 | ACCESS SADDLE | | | 9 | 9 | 9 | 9 |
| 12 | 302LF39050 | GUIDE WIRE FRONT PWB | | | 9 | 9 | 9 | 9 |
| 13 | 302K939230 | HOLDER PWB | | | 2 | 2 | 2 | 2 |
| 14 | 7YZM210005++H01 | ACCESS.EDGING | | | 1 | 1 | 1 | 1 |
| 15 | 7YZM610003++H01 | ACCESS SADDLE | | | 1 | 1 | 1 | 1 |
| 16 | 7YZM610008++H01 | ACCESS.SADDLE | | | 3 | 3 | 3 | 3 |
| 17 | 303LL02330 | HOLDER WIRE D | | | 18 | 18 | 18 | 18 |
| 18 | 3CZ02240 | PIN,DRAWER SIDE CONVEYING | | | 2 | 2 | 2 | 2 |
| 19 | 303NF39052 | MOUNT PWB MAIN | | | 1 | 1 | 1 | 1 |
| 20 | 302XT94141 | PARTS UNIT LOW VOLTAGE SP | | Design-chg. | 1 | 1 | 1 | 1 |
| 21 | 302NH39311 | MOUNT LVU SUB | | | 1 | 1 | 1 | 1 |
| 22 | 303NF10330 | HOLDER DECK SENSOR | | | 2 | 2 | 2 | 2 |
| 23 | 302K934150 | LABEL HIGH TEMP | | | 1 | | | |
| 24 | 302RH44030 | HEATER DEHUMIDIFIER 100 | | | 1 | | | |
| 25 | 303NF04140 | COVER CONNECTOR HEATER | | | 1 | | 1 | 1 |
| 26 | 7YZM610001++H01 | ACCESS SADDLE | | | 4 | | | |
| 27 | 7YZM610007++H01 | ACCESS.SADDLE | | | 1 | 1 | 1 | 1 |
| 28 | 7YZM210006++H01 | ACCESS.EDGING | | | 1 | 1 | 1 | 1 |
| 29 | 7YZM210001++H01 | ACCESS.EDGING | | | 1 | 1 | 1 | 1 |
| 30 | 7YZM510021++H01 | ACCESS.SPACER | | | 1 | 1 | 1 | 1 |
| 31 | 7YZM510007++H01 | ACCESS.SPACER | | | 1 | 1 | 1 | 1 |
| 32 | 7YZM510023++H01 | ACCESS.SPACER | | | 1 | 1 | 1 | 1 |
| 33 | 302LC46860 | WIRE LVU JOINT | | | 1 | 1 | 1 | 1 |
| 101 | 7BB700410H | +BIND T.T S SCREW 4X10 SR | | | | | | |
| 102 | 7BB700330H | +BIND T.T S SCREW 3X30 SR | | | | | | |
| 103 | 7BB700308H | +BIND T.T S SCREW 3X8 SR | | | | | | |

FIG. 13 Paper Feed Section

| Ref No. | Part.No. | Description | Notes | Revision | Quantity | | | |
|---------|---------------|---------------------------------|-------|----------|----------|-----|-----|-----|
| | | | | | 100 | 120 | 230 | 240 |
| A01 | 302NH94220 | PARTS PRIMARY FEED UNIT HI SP | | | 2 | 2 | 2 | 2 |
| 1 | •5MVX111DN003 | RING STOPPER /A-49 FEED A4 | | | 16 | 16 | 16 | 16 |
| 2 | •302K324450 | BUSH 6 | | | 12 | 12 | 12 | 12 |
| 3 | •302K931080 | WIRE STOPPER | | | 12 | 12 | 12 | 12 |
| 4 | •302K924820 | CUT-WASHER 4 | | | 8 | 8 | 8 | 8 |
| 5 | •302K906290 | HOLDER SENSOR FEED | | | 2 | 2 | 2 | 2 |
| 6 | •302NH06080 | PLATE FRAME LOWER | | | 2 | 2 | 2 | 2 |
| 7 | •302NH06980 | SHAFT FEED LOW | | | 4 | 4 | 4 | 4 |
| A02 | •302K994B90 | PARTS GUIDE PRIMARY FEED SET SP | | | 2 | 2 | 2 | 2 |
| 8 | ••29812291 | CUSHION,CONTACT GLASS | | | 4 | 4 | 4 | 4 |
| 9 | ••302K906051 | GUIDE PRIMARY FEED | | | 2 | 2 | 2 | 2 |
| 10 | •302K906420 | PLATE RETARD ADJUST | | | 2 | 2 | 2 | 2 |
| 11 | •302H708150 | SPONGE WIRE MPT | | | 4 | 4 | 4 | 4 |
| 12 | •302K906700 | HOLDER PULLEY | | | 2 | 2 | 2 | 2 |
| 13 | •302F929260 | PULLEY DU LOW | | | 10 | 10 | 10 | 10 |
| 14 | •302NH06990 | SHAFT ASSIST PULLEY | | | 2 | 2 | 2 | 2 |
| 15 | •302NH06070 | HOLDER RETARD | | | 2 | 2 | 2 | 2 |
| 16 | •302K906280 | HOLDER PRIM FEED PULLEY | | | 4 | 4 | 4 | 4 |
| 17 | •34806040 | LOWER BUSHING,PAPER FEED | | | 2 | 2 | 2 | 2 |
| 18 | •302K906750 | TORQUE-LIMITER 390 | | | 2 | 2 | 2 | 2 |
| 19 | •302NH06090 | PLATE RETARD HOLDER | | | 2 | 2 | 2 | 2 |
| 20 | •302N406150 | FULCRUM-PIN RETARD | | | 4 | 4 | 4 | 4 |
| 21 | •302N406130 | LEVER RETARD RELEASE | | | 2 | 2 | 2 | 2 |
| 22 | •302NH06100 | SPRING RETARD | | | 2 | 2 | 2 | 2 |
| 23 | •302K906721 | SHEET PRIMARY FEED HI | | | 2 | 2 | 2 | 2 |
| 24 | •302N406060 | GUIDE FRONT LOWER | | | 2 | 2 | 2 | 2 |
| 25 | •302N406140 | SPRING RETARD LOCK | | | 2 | 2 | 2 | 2 |
| 26 | •302K906111 | PLATE PRIMARY FEED DRIVE | | | 2 | 2 | 2 | 2 |
| 27 | •302K906270 | MOUNT PRIMARY FEED R | | | 2 | 2 | 2 | 2 |
| 28 | •302N406070 | SHAFT PICKUP PRIMARY | | | 2 | 2 | 2 | 2 |
| 29 | •302N406120 | ONEWAY-CLUTCH 6 | | | 2 | 2 | 2 | 2 |
| 30 | •302K906260 | SPRING PICK UP | | | 2 | 2 | 2 | 2 |
| 31 | •302N406170 | GEAR Z28 FEED | | | 2 | 2 | 2 | 2 |
| 32 | •302K906100 | MOUNT PRIMARY FEED | | | 2 | 2 | 2 | 2 |
| 33 | •302N406100 | GEAR Z32 FEED OW | | | 2 | 2 | 2 | 2 |
| 34 | •302N406110 | GEAR Z32 PICKUP | | | 2 | 2 | 2 | 2 |
| 35 | •302N406010 | PLATE FRAME UPPER | | | 2 | 2 | 2 | 2 |
| 36 | •302K906321 | ACTUATOR PAPER EMPTY | | | 2 | 2 | 2 | 2 |
| 37 | •302N406050 | HOLDER PICKUP | | | 2 | 2 | 2 | 2 |
| 38 | •303NF06350 | SHEET SOLENOID | | | 2 | 2 | 2 | 2 |
| 39 | •302K906080 | PIN PICK UP IDLE | | | 2 | 2 | 2 | 2 |
| 40 | •302K994580 | PARTS SENSOR OPT. SP | | | 2 | 2 | 2 | 2 |
| 41 | •303M894260 | PARTS SENSOR OPT SP | | | 4 | 4 | 4 | 4 |
| 42 | •302K906250 | GUIDE PRIM FEED WIRE | | | 2 | 2 | 2 | 2 |
| 43 | •302N446280 | WIRE PRIMARY FEED UNIT | | | 2 | 2 | 2 | 2 |
| 44 | •302LC28240 | SPRING SWITCHBACK | | | 8 | 8 | 8 | 8 |
| 45 | •302F708310 | SPRING LOCK MPF | | | 4 | 4 | 4 | 4 |
| 46 | •302K994420 | PARTS ROLLER ASSIST SP | | | 2 | 2 | 2 | 2 |
| 47 | •302K931530 | COUPLING DRIVE | | | 2 | 2 | 2 | 2 |
| 48 | •302N406160 | LEVER RETARD LOCK | | | 2 | 2 | 2 | 2 |

FIG. 14 Paper Conveying Section 1-1

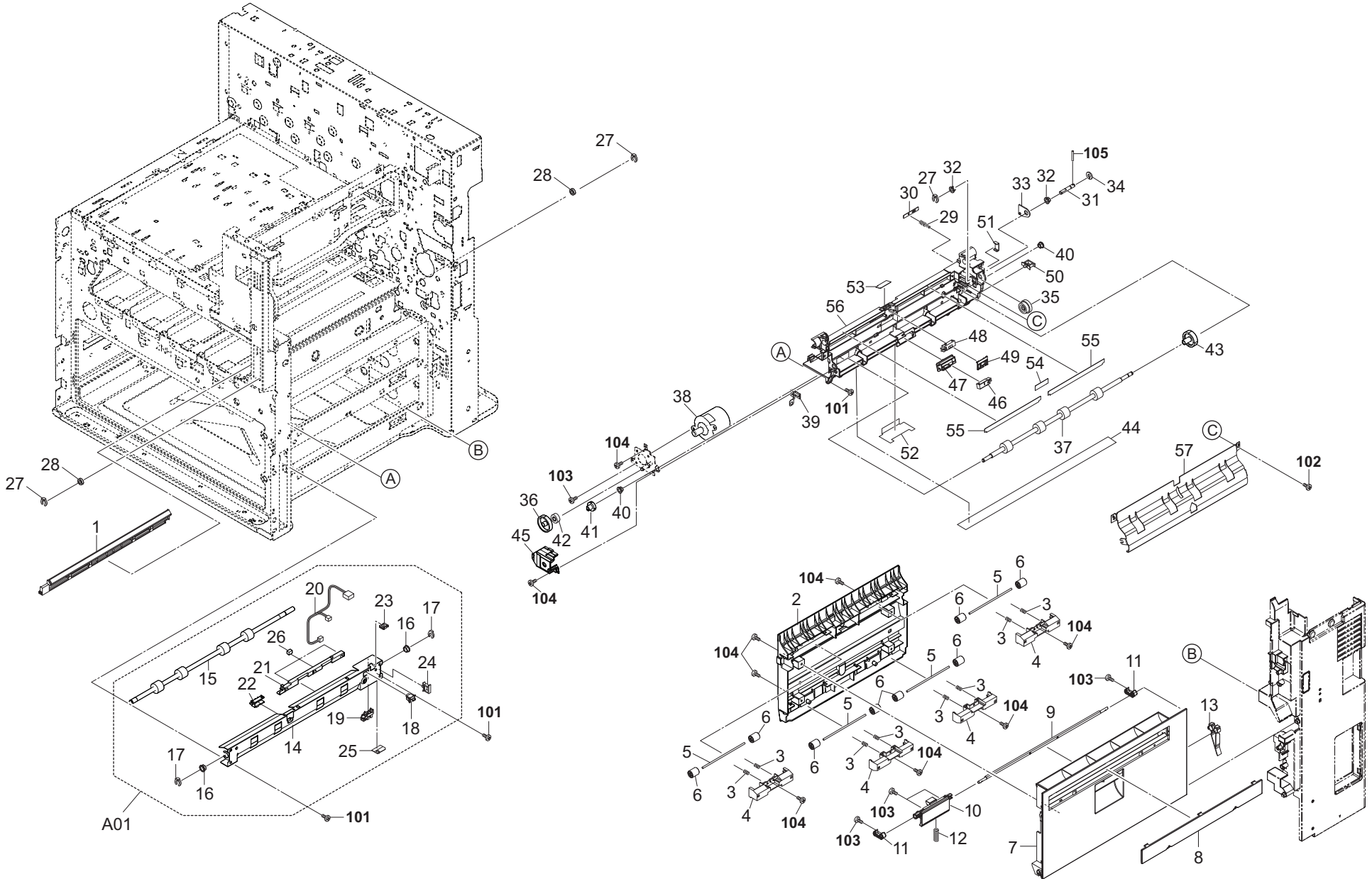


FIG. 14 Paper Conveying Section 1-1

2XP/2XN

| Ref No. | Part.No. | Description | Notes | Revision | Quantity | | | |
|---------|-------------------|---------------------------------|-------|----------|----------|-----|-----|-----|
| | | | | | 100 | 120 | 230 | 240 |
| 1 | 302LF94160 | PARTS CLEANER REGIST ASSY SP | | | 1 | 1 | 1 | 1 |
| 2 | 302NH06610 | GUIDE FEED LOW | | | 1 | 1 | 1 | 1 |
| 3 | 2DC12170 | SPRING TENSION | | | 8 | 8 | 8 | 8 |
| 4 | 302K906640 | HOLDER FEED LOW PULLEY | | | 4 | 4 | 4 | 4 |
| 5 | 302NH06980 | SHAFT FEED LOW | | | 4 | 4 | 4 | 4 |
| 6 | 302H722760 | PULLEY MIDDLE A | | | 8 | 8 | 8 | 8 |
| 7 | 302NH06030 | COVER FEED LOW | | | 1 | 1 | 1 | 1 |
| 8 | 302NH06050 | LID SIDE FEED | | | 1 | 1 | 1 | 1 |
| 9 | 302K906681 | SHAFT FEED LOW HOOK | | | 1 | 1 | 1 | 1 |
| 10 | 302NH06040 | HANDLE FEED LOW | | | 1 | 1 | 1 | 1 |
| 11 | 302K906670 | HOOK FEED LOW | | | 2 | 2 | 2 | 2 |
| 12 | 302FZ20021 | SPRING LID | | | 1 | 1 | 1 | 1 |
| 13 | 2BG06480 | BAND B | | | 1 | 1 | 1 | 1 |
| A01 | 302NH94160 | PARTS GUIDE FEED MIDDLE ASSY SP | | | 1 | 1 | 1 | 1 |
| 14 | *302NH06020 | PLATE FEED LOW | | | 1 | 1 | 1 | 1 |
| 15 | *302NH94350 | PARTS ROLLER FEED LOW SP | | | 1 | 1 | 1 | 1 |
| 16 | *28107310 | BUSH 8 | | | 2 | 2 | 2 | 2 |
| 17 | *2BC06910 | STOPPER 6 | | | 2 | 2 | 2 | 2 |
| 18 | *7SP01000006+H01 | SW.PUSH | | | 1 | 1 | 1 | 1 |
| 19 | *302K994580 | PARTS SENSOR OPT. SP | | | 1 | 1 | 1 | 1 |
| 20 | *302NH46710 | CONN.CORD ASSY GUIDE FEED LOW | | | 1 | 1 | 1 | 1 |
| 21 | *302NH06010 | GUIDE FEED WIRE | | | 1 | 1 | 1 | 1 |
| 22 | *302NH06290 | HOLDER SENSOR FEED | | | 1 | 1 | 1 | 1 |
| 23 | *7YZM210006+++H01 | ACCESS.EDGING | | | 1 | 1 | 1 | 1 |
| 24 | *7YZM610002+++H01 | ACCESS SADDLE | | | 1 | 1 | 1 | 1 |
| 25 | *302LC06210 | GUIDE WIRE FEED LOW | | | 1 | 1 | 1 | 1 |
| 26 | *302H708150 | SPONGE WIRE MPT | | | 3 | 3 | 3 | 3 |
| 27 | 5MVX111DN003 | RING STOPPER /A-49 FEED A4 | | | 3 | 3 | 3 | 3 |
| 28 | 7BE006155J31H01 | BEARING 696ZZNR | | | 2 | 2 | 2 | 2 |
| 29 | 302K939360 | SPRING HV | | | 1 | 1 | 1 | 1 |
| 30 | 302K924620 | PLATE HV | | | 1 | 1 | 1 | 1 |
| 31 | 302N224010 | SHAFT DRIVE MIDDLE | | | 1 | 1 | 1 | 1 |
| 32 | 302H702590 | BUSH SCREW | | | 2 | 2 | 2 | 2 |
| 33 | 302K924660 | BRACKET KEY MIDDLE A | | | 1 | 1 | 1 | 1 |
| 34 | 302K924820 | CUT-WASHER 4 | | | 1 | 1 | 1 | 1 |
| 35 | 302K924690 | GEAR Z27L Z24L | | | 1 | 1 | 1 | 1 |
| 36 | 302NH24630 | GEAR Z60R-Z18S | | | 1 | 1 | 1 | 1 |
| 37 | 302LC94551 | PARTS ROLLER MIDDLE L SP | | | 1 | 1 | 1 | 1 |
| 38 | 302XT94010 | PARTS MOTOR-BL INNER W10 SP | | | 1 | 1 | 1 | 1 |
| 39 | 302K924570 | PLATE EARTH MIDDLE | | | 1 | 1 | 1 | 1 |
| 40 | 302K324450 | BUSH 6 | | | 2 | 2 | 2 | 2 |
| 41 | 302NH24600 | GEAR Z20S | | | 1 | 1 | 1 | 1 |
| 42 | 302NH24640 | GEAR Z18S IDLE | | | 1 | 1 | 1 | 1 |
| 43 | 302NH31080 | GEAR Z35R | | | 1 | 1 | 1 | 1 |
| 44 | 302LF33910 | SEAL MIDDLE FEED | | | 1 | 1 | 1 | 1 |
| 45 | 302NH24040 | COVER MOTOR MIDDLE | | | 1 | 1 | 1 | 1 |
| 46 | 2FG27110 | SWITCH REGISTRATION | | | 1 | 1 | 1 | 1 |
| 47 | 302K924870 | HOLDER SENSOR MIDDLE | | | 1 | 1 | 1 | 1 |
| 48 | 3H327410 | SENSOR,CONVEYING | | | 1 | 1 | 1 | 1 |
| 49 | 302K924861 | HOLDER SENSOR REGIST | | | 1 | 1 | 1 | 1 |

FIG. 14 Paper Conveying Section 1-1

2XP/2XN

| Ref No. | Part.No. | Description | Notes | Revision | Quantity | | | |
|---------|-----------------|---------------------------|-------|----------|----------|-----|-----|-----|
| | | | | | 100 | 120 | 230 | 240 |
| 50 | 7YZM610007++H01 | ACCESS.SADDLE | | | 1 | 1 | 1 | 1 |
| 51 | 303LL02330 | HOLDER WIRE D | | | 1 | 1 | 1 | 1 |
| 52 | 302LF33580 | FILM FEED UPPER | | | 1 | 1 | 1 | 1 |
| 53 | 302K924890 | SHEET COVER SENSOR | | | 1 | 1 | 1 | 1 |
| 54 | 302K924881 | SHEET REGIST L C | | | 1 | 1 | 1 | 1 |
| 55 | 302K924560 | SHEET REGIST LA | | | 2 | 2 | 2 | 2 |
| 56 | 302NH24540 | FRAME MIDDLE FEED | | | 1 | 1 | 1 | 1 |
| 57 | 302K924542 | PLATE MIDDLE FEED | | | 1 | 1 | 1 | 1 |
| 101 | 7BB700408H | +BIND T.T S SCREW 4X8 SR | | | | | | |
| 102 | 7BB200310H | +BIND T.T P SCREW 3X10 | | | | | | |
| 103 | 7BB600306H | +BIND M SCREW 3X6 R | | | | | | |
| 104 | 7BB200308H | +BIND T.T P SCREW 3X8 | | | | | | |
| 105 | 5MBP2014WXSP | SPRING PIN /M2 X 14 S-BLK | | | | | | |

FIG. 15 Paper Conveying Section 1-2

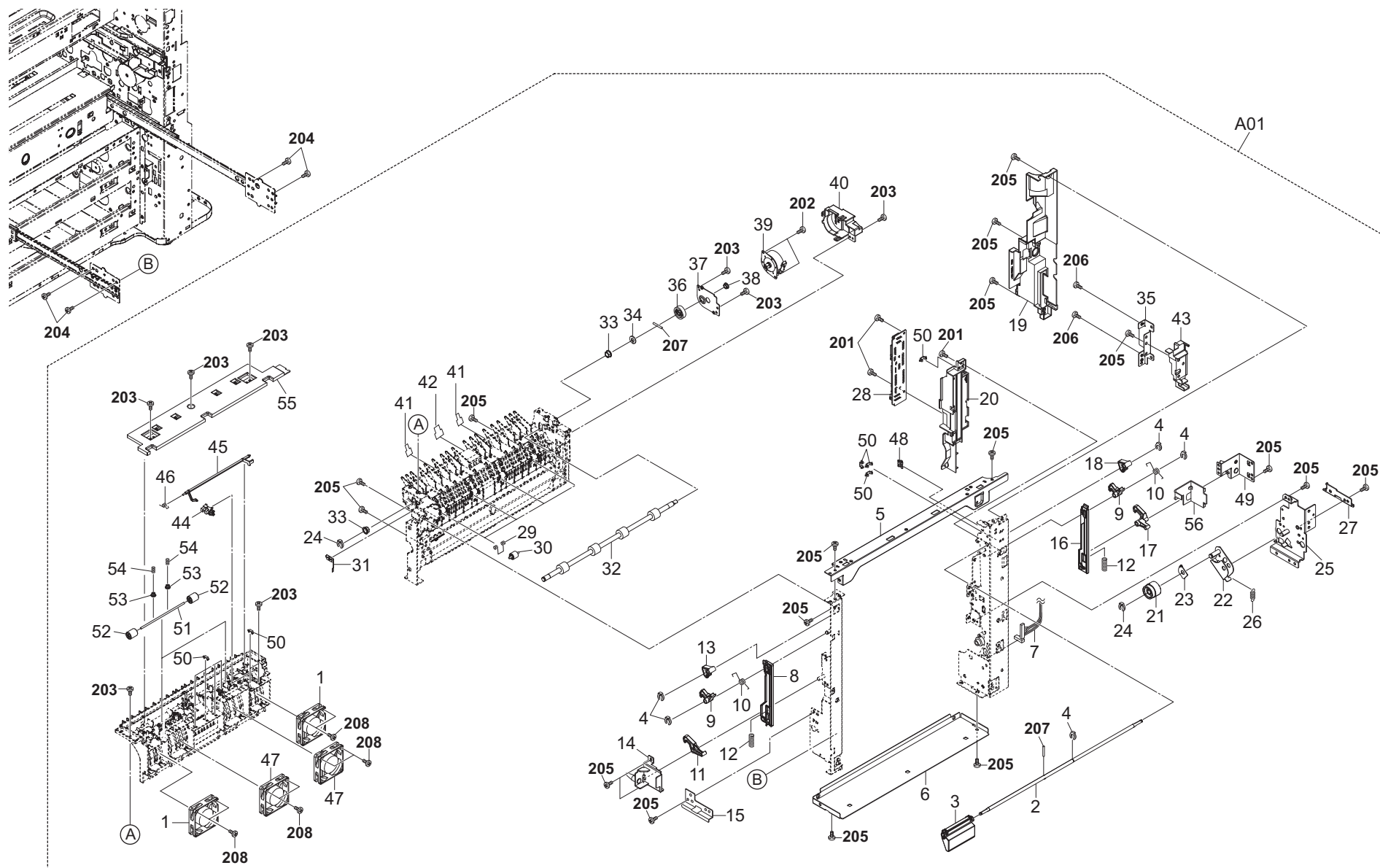


FIG. 15 Paper Conveying Section 1-2

2XP/2XN

| Ref No. | Part.No. | Description | Notes | Revision | Quantity | | | |
|---------|------------------|--------------------------------|-------|----------|----------|-----|-----|-----|
| | | | | | 100 | 120 | 230 | 240 |
| A01 | 302NH94061 | PARTS CONVEYING UNIT (M) SP | | | 1 | 1 | 1 | 1 |
| 1 | •302LC94320 | PARTS FAN COOLING 50 SP | | | 2 | 2 | 2 | 2 |
| 2 | •302K929100 | SHAFT CONVEYING HOOK UP | | | 1 | 1 | 1 | 1 |
| 3 | •302NH29060 | LEVER COVER RIGHT | | | 1 | 1 | 1 | 1 |
| 4 | •5MVX111DN003 | RING STOPPER /A-49 FEED A4 | | | 5 | 5 | 5 | 5 |
| 5 | •302K929051 | PLATE CONVEYING TOP | | | 1 | 1 | 1 | 1 |
| 6 | •302K929040 | PLATE CONVEYING LOW | | | 1 | 1 | 1 | 1 |
| 7 | •302LC46480 | WIRE MPF JOINT | | | 1 | 1 | 1 | 1 |
| 8 | •302K929400 | ARM HOOK F | | | 1 | 1 | 1 | 1 |
| 9 | •302K929120 | HOOK CONVEYING UP | | | 2 | 2 | 2 | 2 |
| 10 | •302K929190 | SPRING HOOK UP | | | 2 | 2 | 2 | 2 |
| 11 | •302K929140 | HOOK CONVEYING LOW F | | | 1 | 1 | 1 | 1 |
| 12 | •3HL07240 | SPRING HOOK | | | 2 | 2 | 2 | 2 |
| 13 | •302K929170 | CAM HOOK FRONT | | | 1 | 1 | 1 | 1 |
| 14 | •302K929630 | PIN CONVEYING F | | | 1 | 1 | 1 | 1 |
| 15 | •302K929570 | GUIDE UNIT F | | | 1 | 1 | 1 | 1 |
| 16 | •302N729060 | ARM HOOK R | | | 1 | 1 | 1 | 1 |
| 17 | •302K929150 | HOOK CONVEYING LOW R | | | 1 | 1 | 1 | 1 |
| 18 | •302K929160 | CAM HOOK REAR | | | 1 | 1 | 1 | 1 |
| 19 | •302NH29040 | COVER INNER CONVEYING A | | | 1 | 1 | 1 | 1 |
| 20 | •302N729050 | COVER ARM | | | 1 | 1 | 1 | 1 |
| 21 | •302K929240 | GEAR Z30R-Z27L | | | 1 | 1 | 1 | 1 |
| 22 | •302K929600 | PLATE JOINT | | | 1 | 1 | 1 | 1 |
| 23 | •302K929610 | GUIDE GEAR | | | 1 | 1 | 1 | 1 |
| 24 | •2BC06910 | STOPPER 6 | | | 2 | 2 | 2 | 2 |
| 25 | •302K929063 | MOUNT DU DRIVE | | | 1 | 1 | 1 | 1 |
| 26 | •302F902180 | SPRING LEVER EF | | | 1 | 1 | 1 | 1 |
| 27 | •302K929580 | GUIDE UNIT R | | | 1 | 1 | 1 | 1 |
| 28 | •302K994201 | PARTS PWB JUNCTION ASSY SP | | | 1 | 1 | 1 | 1 |
| 29 | •302K924770 | SPRING HOLDER PULLEY | | | 4 | 4 | 4 | 4 |
| 30 | •302FZ07020 | PULLEY MPT BYPASS | | | 4 | 4 | 4 | 4 |
| 31 | •302K929690 | PLATE EARTH DU | | | 1 | 1 | 1 | 1 |
| 32 | •302K994492 | PARTS ROLLER DU UP SP | | | 1 | 1 | 1 | 1 |
| 33 | •28107310 | BUSH 8 | | | 2 | 2 | 2 | 2 |
| 34 | •302HG12310 | CUT WASHER 4 | | | 1 | 1 | 1 | 1 |
| 35 | •302K929620 | PLATE DRAWER | | | 1 | 1 | 1 | 1 |
| 36 | •302K929740 | GEAR Z43R | | | 1 | 1 | 1 | 1 |
| 37 | •302K929730 | MOUNT MOTOR DU UP | | | 1 | 1 | 1 | 1 |
| 38 | •302K924830 | BUSH DU EW | | | 1 | 1 | 1 | 1 |
| 39 | •302K994300 | PARTS MOTOR PM FEED SP | | | 1 | 1 | 1 | 1 |
| 40 | •302K929540 | COVER CLUTCH A | | | 1 | 1 | 1 | 1 |
| 41 | •302K929790 | FILM GUIDE DU A | | | 2 | 2 | 2 | 2 |
| 42 | •302K929800 | FILM GUIDE DU B | | | 1 | 1 | 1 | 1 |
| 43 | •302K924390 | HOLDER DRAWER | | | 1 | 1 | 1 | 1 |
| 44 | •7NXGP1A173LCH01 | SENSOR OPT. | | | 1 | 1 | 1 | 1 |
| 45 | •302K929470 | ACTUATOR DU A | | | 1 | 1 | 1 | 1 |
| 46 | •302K928190 | SPRING-TORSION SWITCHBACK | | | 1 | 1 | 1 | 1 |
| 47 | •302FZ94420 | PARTS,FAN COOLING CONVEYING SP | | | 2 | 2 | 2 | 2 |
| 48 | •7YZM210006++H01 | ACCESS.EDGING | | | 1 | 1 | 1 | 1 |
| 49 | •302K929640 | PIN CONVEYING R | | | 1 | 1 | 1 | 1 |

FIG. 15 Paper Conveying Section 1-2

2XP/2XN

| Ref No. | Part.No. | Description | Notes | Revision | Quantity | | | |
|---------|-----------------|-------------------------------|-------|----------|----------|-----|-----|-----|
| | | | | | 100 | 120 | 230 | 240 |
| 50 | •302K931080 | WIRE STOPPER | | | 10 | 10 | 10 | 10 |
| 51 | •302K324460 | SHAFT FEED | | | 2 | 2 | 2 | 2 |
| 52 | •302F929260 | PULLEY DU LOW | | | 4 | 4 | 4 | 4 |
| 53 | •2FM04150 | CAP SPRING /B-11 ENCLOSURE A4 | | | 4 | 4 | 4 | 4 |
| 54 | •302K929780 | SPRING-COMPRESSION DU UP | | | 4 | 4 | 4 | 4 |
| 55 | •302K929490 | COVER RIGHT GUIDE | | | 1 | 1 | 1 | 1 |
| 56 | •302K929750 | COVER WIRE | | | 1 | 1 | 1 | 1 |
| 201 | 7BB700308H | +BIND T.T S SCREW 3X8 SR | | | | | | |
| 202 | 7BB700306H | +BIND T.T S SCREW 3X6 SR | | | | | | |
| 203 | 7BB200308H | +BIND T.T P SCREW 3X8 | | | | | | |
| 204 | 7BB180408H | +BIND T.T S SCREW 4X8(BLACK) | | | | | | |
| 205 | 7BB700408H | +BIND T.T S SCREW 4X8 SR | | | | | | |
| 206 | 7BB700312H | +BIND T.T S SCREW 3X12 SR | | | | | | |
| 207 | 7BP512012B0CH01 | PARALLEL PIN 2.0X12 | | | | | | |
| 208 | 7BB200322H | +BIND T.T P SCREW 3X22 | | | | | | |

FIG. 16 Paper Conveying Section 1-3

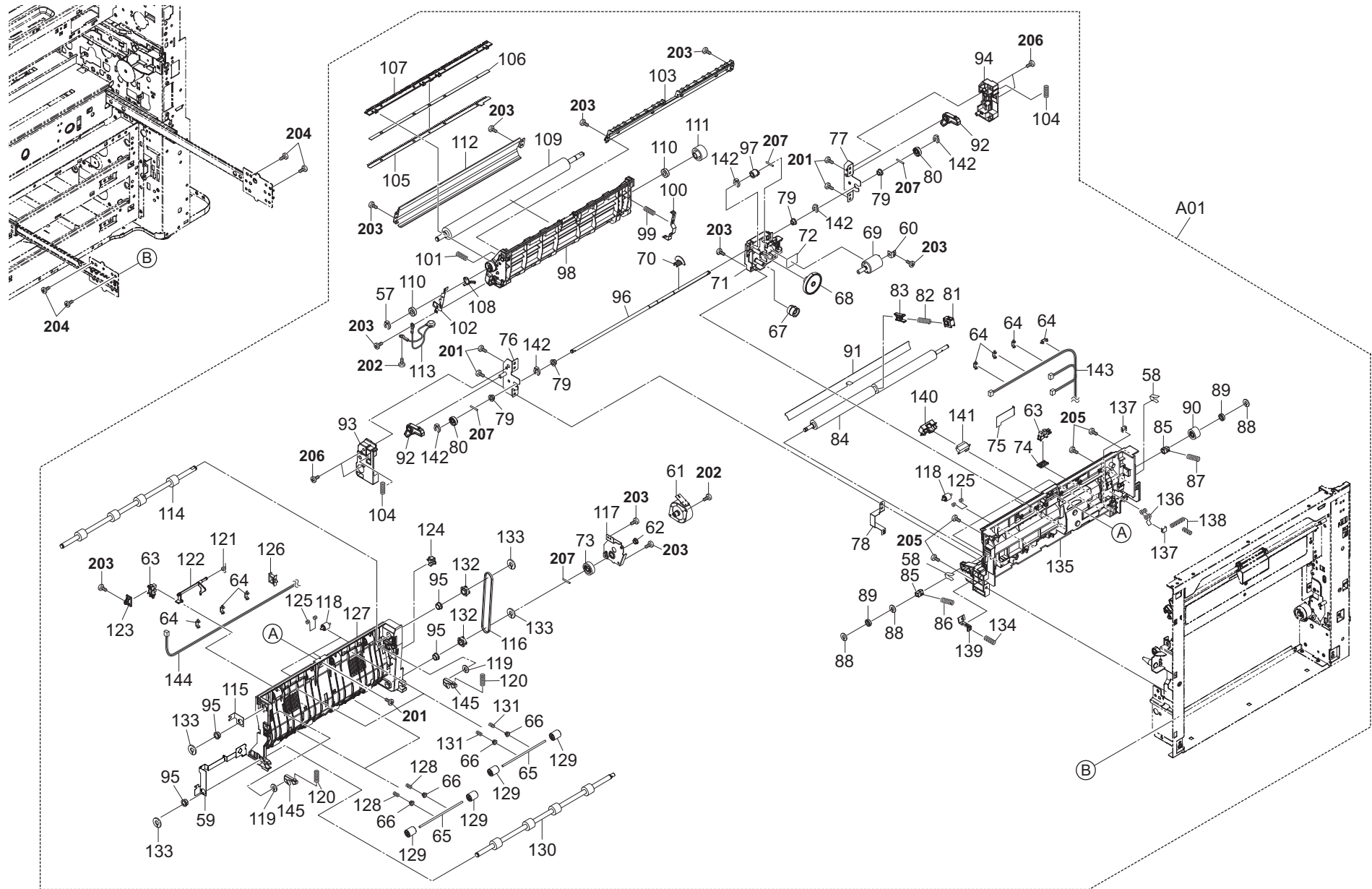


FIG. 16 Paper Conveying Section 1-3

2XP/2XN

| Ref No. | Part.No. | Description | Notes | Revision | Quantity | | | |
|---------|------------------|----------------------------------|-------|----------|----------|-----|-----|-----|
| | | | | | 100 | 120 | 230 | 240 |
| A01 | 302NH94061 | PARTS CONVEYING UNIT (M) SP | | | 1 | 1 | 1 | 1 |
| 57 | •2BC06910 | STOPPER 6 | | | 1 | 1 | 1 | 1 |
| 58 | •302N424010 | SPONGE REGIST | | | 2 | 2 | 2 | 2 |
| 59 | •302K924920 | PLATE EARTH DU2 | | | 1 | 1 | 1 | 1 |
| 60 | •302K908660 | PLATE DC MOTOR 6 | | | 1 | 1 | 1 | 1 |
| 61 | •302K994300 | PARTS MOTOR PM FEED SP | | | 1 | 1 | 1 | 1 |
| 62 | •302K924830 | BUSH DU EW | | | 1 | 1 | 1 | 1 |
| 63 | •7NXGP1A173LCH01 | SENSOR OPT. | | | 2 | 2 | 2 | 2 |
| 64 | •302K931080 | WIRE STOPPER | | | 7 | 7 | 7 | 7 |
| 65 | •302K324460 | SHAFT FEED | | | 4 | 4 | 4 | 4 |
| 66 | •2FM04150 | CAP SPRING /B-11 ENCLOSURE A4 | | | 8 | 8 | 8 | 8 |
| 67 | •302K924800 | WORM WHEEL Z31S Z33L | | | 1 | 1 | 1 | 1 |
| 68 | •302K924790 | GEAR RELEASE Z10R Z83S | | | 1 | 1 | 1 | 1 |
| 69 | •302LC94190 | PARTS CONV RELEASE MOTOR ASSY SP | | | 1 | 1 | 1 | 1 |
| 70 | •302K921380 | ACTUATOR RELEASE | | | 1 | 1 | 1 | 1 |
| 71 | •302K924782 | HOUSING RELEASE DRIVE | | | 1 | 1 | 1 | 1 |
| 72 | •302LC31511 | SEAL MOTOR DC | | | 1 | 1 | 1 | 1 |
| 73 | •302K929740 | GEAR Z43R | | | 1 | 1 | 1 | 1 |
| 74 | •302K908460 | MOUNT PI | | | 1 | 1 | 1 | 1 |
| 75 | •302K924910 | SHEET HOLD PI | | | 1 | 1 | 1 | 1 |
| 76 | •302K924710 | MOUNT LEVER RELEASE F | | | 1 | 1 | 1 | 1 |
| 77 | •302K924720 | MOUNT LEVER RELEASE R | | | 1 | 1 | 1 | 1 |
| 78 | •302K924810 | PLATE EARTH RELEASE | | | 1 | 1 | 1 | 1 |
| 79 | •302H024370 | BUSH 6 EW | | | 4 | 4 | 4 | 4 |
| 80 | •302K924210 | CAM RELEASE TRANSFER | | | 2 | 2 | 2 | 2 |
| 81 | •302K924440 | HOLDER BUSH REGIST | | | 1 | 1 | 1 | 1 |
| 82 | •302H724020 | SPRING REGIST C | | | 1 | 1 | 1 | 1 |
| 83 | •302K924430 | BUSH REGIST CENTER | | | 1 | 1 | 1 | 1 |
| 84 | •302K994440 | PARTS ROLLER REGIST R SP | | | 1 | 1 | 1 | 1 |
| 85 | •302K924901 | BUSH REGIST | | | 2 | 2 | 2 | 2 |
| 86 | •302K924040 | SPRING-COMPRESSION REGIST F | | | 1 | 1 | 1 | 1 |
| 87 | •302K924050 | SPRING-COMPRESSION REGIST R | | | 1 | 1 | 1 | 1 |
| 88 | •302K924820 | CUT-WASHER 4 | | | 3 | 3 | 3 | 3 |
| 89 | •7BE006103431H01 | BEARING MR106ZZ | | | 2 | 2 | 2 | 2 |
| 90 | •302K924060 | GEAR Z22R | | | 1 | 1 | 1 | 1 |
| 91 | •302LF24190 | SHEET REGIST R | | | 1 | 1 | 1 | 1 |
| 92 | •302K924140 | LEVER RELEASE TRANSFER | | | 2 | 2 | 2 | 2 |
| 93 | •302K924731 | COVER LEVER RELEASE F | | | 1 | 1 | 1 | 1 |
| 94 | •302K924740 | COVER LEVER RELEASE R | | | 1 | 1 | 1 | 1 |
| 95 | •28107310 | BUSH 8 | | | 4 | 4 | 4 | 4 |
| 96 | •302K924200 | SHAFT RELEASE CAM | | | 1 | 1 | 1 | 1 |
| 97 | •302K921180 | GEAR RELEASE Z10R | | | 1 | 1 | 1 | 1 |
| 98 | •302LK22020 | FRAME SECONDLY TRANSFER | | | 1 | 1 | 1 | 1 |
| 99 | •302K922200 | SPRING-COMPRESSION DISCHARGER | | | 1 | 1 | 1 | 1 |
| 100 | •302K922190 | PLATE CONTACT DISCHARGER | | | 1 | 1 | 1 | 1 |
| 101 | •302H707110 | SPRING EARTH BYPASS F | | | 1 | 1 | 1 | 1 |
| 102 | •302K922230 | PLATE EARTH GUIDE TC | | | 1 | 1 | 1 | 1 |
| 103 | •302NH94430 | PARTS GUIDE CONVEYING UNIT SP | | | 1 | 1 | 1 | 1 |
| 104 | •302NH24010 | SPRING-COMPRESSION TRANSFER F | | | 2 | 2 | 2 | 2 |
| 105 | •302K922120 | HOLDER DISCHARGER | | | 1 | 1 | 1 | 1 |

FIG. 16 Paper Conveying Section 1-3

2XP/2XN

| Ref No. | Part.No. | Description | Notes | Revision | Quantity | | | |
|---------|------------------|-----------------------------------|-------|----------|----------|-----|-----|-----|
| | | | | | 100 | 120 | 230 | 240 |
| 106 | •302K922280 | TAPE DISCHARGER | | | 1 | 1 | 1 | 1 |
| 107 | •302K922130 | PLATE DISCHARGER | | | 1 | 1 | 1 | 1 |
| 108 | •302K922240 | PLATE EARTH TRANSFER | | | 1 | 1 | 1 | 1 |
| 109 | •302NH94440 | PARTS ROLLER SECONDLY TRANSFER SP | | | 1 | 1 | 1 | 1 |
| 110 | •7BE008165431H11 | BEARING 688ZZ | | | 2 | 2 | 2 | 2 |
| 111 | •302K922160 | GEAR Z29R | | | 1 | 1 | 1 | 1 |
| 112 | •302K922210 | GUIDE TRANSFER R | | | 1 | 1 | 1 | 1 |
| 113 | •302FZ01310 | VARISTOR TC ASSY' | | | 1 | 1 | 1 | 1 |
| 114 | •302K994480 | PARTS ROLLER DU MID SP | | | 1 | 1 | 1 | 1 |
| 115 | •302K929660 | PLATE EARTH DU MIDDLE | | | 1 | 1 | 1 | 1 |
| 116 | •302K929310 | BELT S2M A145 | | | 1 | 1 | 1 | 1 |
| 117 | •302K929720 | MOUNT MOTOR DU MIDDLE | | | 1 | 1 | 1 | 1 |
| 118 | •302FZ07020 | PULLEY MPT BYPASS | | | 7 | 7 | 7 | 7 |
| 119 | •302FZ21720 | POLYSLIDER CUT WASHER 4 | | | 2 | 2 | 2 | 2 |
| 120 | •302K929680 | SPRING-COMPRESSION COVER DU | | | 2 | 2 | 2 | 2 |
| 121 | •302H729120 | SPRING ACT DU | | | 1 | 1 | 1 | 1 |
| 122 | •302K929330 | ACTUATOR DU | | | 1 | 1 | 1 | 1 |
| 123 | •302K924841 | MOUNT PI | | | 1 | 1 | 1 | 1 |
| 124 | •66127010 | SWITCH,COVER OPEN | | | 1 | 1 | 1 | 1 |
| 125 | •302K924770 | SPRING HOLDER PULLEY | | | 7 | 7 | 7 | 7 |
| 126 | •7YZM610001++H01 | ACCESS SADDLE | | | 1 | 1 | 1 | 1 |
| 127 | •302K924410 | FRAME DU | | | 1 | 1 | 1 | 1 |
| 128 | •302F925780 | SPRING DU | | | 4 | 4 | 4 | 4 |
| 129 | •302H722760 | PULLEY MIDDLE A | | | 8 | 8 | 8 | 8 |
| 130 | •302K994470 | PARTS ROLLER DU LOW SP | | | 1 | 1 | 1 | 1 |
| 131 | •302K929770 | SPRING DU | | | 4 | 4 | 4 | 4 |
| 132 | •302H029110 | PULLEY 26 DU | | | 2 | 2 | 2 | 2 |
| 133 | •302K921420 | CUT-WASHER 6 | | | 4 | 4 | 4 | 4 |
| 134 | •302LF22600 | SPRING EARTH CONVEYING | | | 1 | 1 | 1 | 1 |
| 135 | •302K924011 | BASE CONVEYING | | | 1 | 1 | 1 | 1 |
| 136 | •302K924270 | SPRING-TORSION DISCHARGER | | | 1 | 1 | 1 | 1 |
| 137 | •302K924290 | PLATE CONTACT HV | | | 2 | 2 | 2 | 2 |
| 138 | •302K924280 | SPRING CONTACT DISCHARGER | | | 1 | 1 | 1 | 1 |
| 139 | •302K924250 | PLATE EARTH REGIST | | | 1 | 1 | 1 | 1 |
| 140 | •302K924100 | RETAINER LOOP SENSOR | | | 1 | 1 | 1 | 1 |
| 141 | •302LC94410 | PARTS SENSOR OPT. SP | | | 1 | 1 | 1 | 1 |
| 142 | •5MVX111DN003 | RING STOPPER /A-49 FEED A4 | | | 5 | 5 | 5 | 5 |
| 143 | •302NH46820 | CONN.CORD ASSY DU LOW | | | 1 | 1 | 1 | 1 |
| 144 | •302NH46830 | CONN.CORD ASSY DU SENSOR | | | 1 | 1 | 1 | 1 |
| 145 | •5MVX421DN003 | LOCK COVER R /40283V0068 A4 | | | 2 | 2 | 2 | 2 |
| 201 | 7BB700308H | +BIND T.T S SCREW 3X8 SR | | | | | | |
| 202 | 7BB700306H | +BIND T.T S SCREW 3X6 SR | | | | | | |
| 203 | 7BB200308H | +BIND T.T P SCREW 3X8 | | | | | | |
| 204 | 7BB180408H | +BIND T.T S SCREW 4X8(BLACK) | | | | | | |
| 205 | 7BB700408H | +BIND T.T S SCREW 4X8 SR | | | | | | |
| 206 | 7BB700312H | +BIND T.T S SCREW 3X12 SR | | | | | | |
| 207 | 7BP512012BOCH01 | PARALLEL PIN 2.0X12 | | | | | | |

FIG. 17 Paper Conveying Section 2

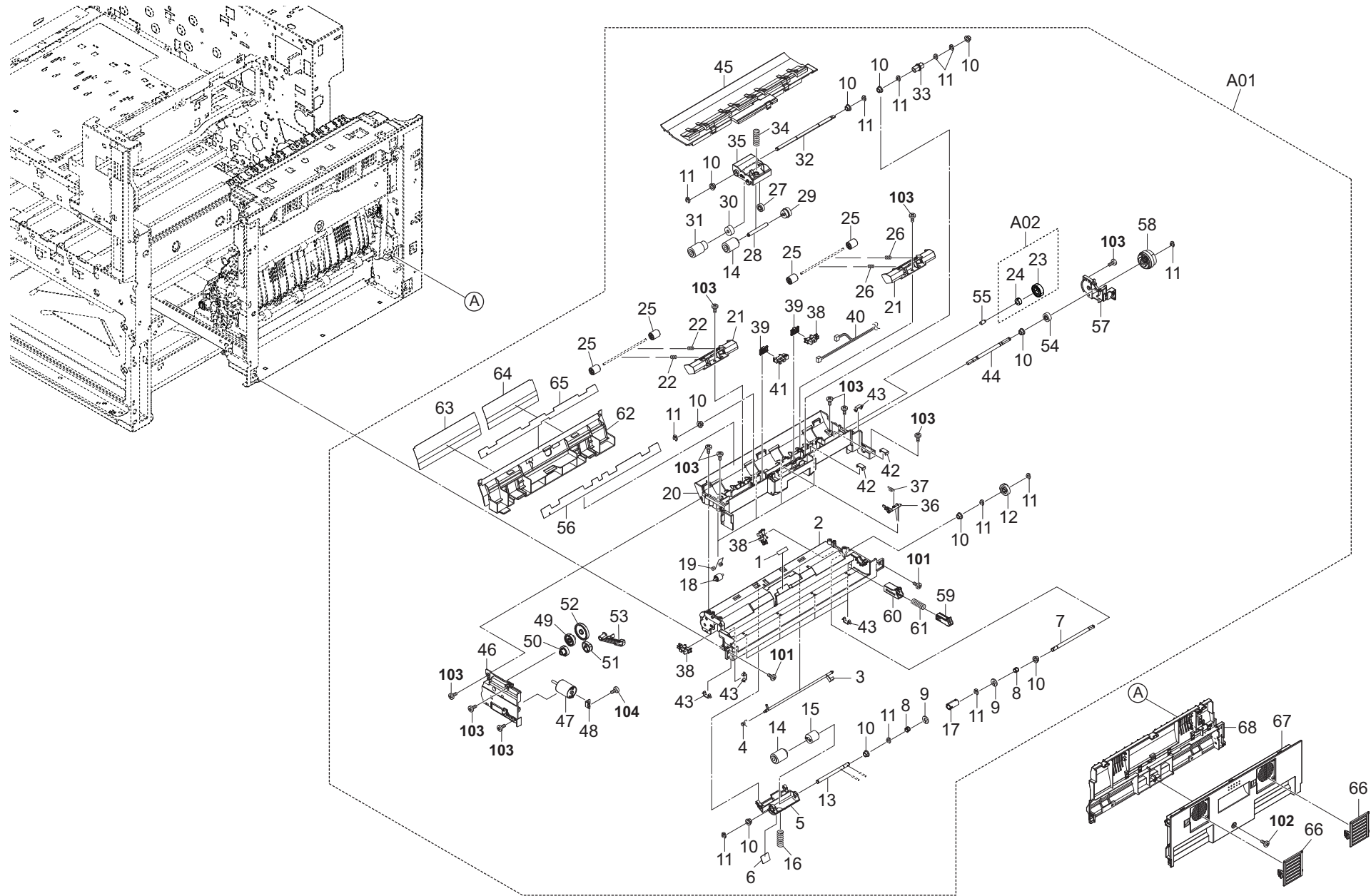


FIG. 17 Paper Conveying Section 2

2XP/2XN

| Ref No. | Part.No. | Description | Notes | Revision | Quantity | | | |
|---------|------------------|-----------------------------|-------|----------|----------|-----|-----|-----|
| | | | | | 100 | 120 | 230 | 240 |
| A01 | 302K994013 | PARTS MPT ASSY SP | | | 1 | 1 | 1 | 1 |
| 1 | •302K908610 | FILM RETARD | | | 1 | 1 | 1 | 1 |
| 2 | •302K908021 | BASE MPF LOWER | | | 1 | 1 | 1 | 1 |
| 3 | •302K908280 | ACTUATOR FEED MPF | | | 1 | 1 | 1 | 1 |
| 4 | •302FZ22870 | SPRING ACTUATOR BYPASS | | | 1 | 1 | 1 | 1 |
| 5 | •302K908240 | HOLDER RETARD MPF | | | 1 | 1 | 1 | 1 |
| 6 | •3H610240 | FELT DUPLEX | | | 1 | 1 | 1 | 1 |
| 7 | •302K908501 | SHAFT RETARD MPF B | | | 1 | 1 | 1 | 1 |
| 8 | •302K906180 | JOINT RETARD DRIVE | | | 2 | 2 | 2 | 2 |
| 9 | •302K924820 | CUT-WASHER 4 | | | 2 | 2 | 2 | 2 |
| 10 | •302H702590 | BUSH SCREW | | | 10 | 10 | 10 | 10 |
| 11 | •5MVX111DN003 | RING STOPPER /A-49 FEED A4 | | | 12 | 12 | 12 | 12 |
| 12 | •302K908420 | GEAR RETARD MPF Z24L | | | 1 | 1 | 1 | 1 |
| 13 | •302K908491 | SHAFT RETARD MPF A | | | 1 | 1 | 1 | 1 |
| 14 | •2AR07230 | PULLEY,SEPARATION | | | 2 | 2 | 2 | 2 |
| 15 | 303LL07521 | TORQUE-LIMITER 400 | | | 1 | 1 | 1 | 1 |
| 16 | •302K908540 | SPRING RETARD MPF | | | 1 | 1 | 1 | 1 |
| 17 | •302K906140 | COUPLING PRIMARY FEED DRIVE | | | 1 | 1 | 1 | 1 |
| 18 | •302F925160 | PULLEY FACE UP | | | 4 | 4 | 4 | 4 |
| 19 | •302K924770 | SPRING HOLDER PULLEY | | | 4 | 4 | 4 | 4 |
| 20 | •302K908012 | BASE MPF UPPER | | | 1 | 1 | 1 | 1 |
| 21 | •302K908251 | HOLDER MIDDLE PULLEY | | | 2 | 2 | 2 | 2 |
| 22 | •302LF08010 | SPRING MIDDLE | | | 2 | 2 | 2 | 2 |
| A02 | •303LL31440 | GEAR Z27R ONEWAY | | | 1 | 1 | 1 | 1 |
| 23 | ••303LL31450 | GEAR Z27R | | | 1 | 1 | 1 | 1 |
| 24 | ••5AAVCLTCH018 | ONE WAY CLUTCH /A-49 MPF A4 | | | 1 | 1 | 1 | 1 |
| 25 | •302H722760 | PULLEY MIDDLE A | | | 4 | 4 | 4 | 4 |
| 26 | •302K908700 | SPRING MIDDLE R | | | 2 | 2 | 2 | 2 |
| 27 | •302F906030 | GEAR FEED Z26H | | | 1 | 1 | 1 | 1 |
| 28 | •302K908300 | SHAFT PICKUP MPF | | | 1 | 1 | 1 | 1 |
| 29 | •302K908350 | GEAR Z30R PICKUP | | | 1 | 1 | 1 | 1 |
| 30 | •302K994540 | PARTS GEAR Z30R ONE-WAY SP | | | 1 | 1 | 1 | 1 |
| 31 | •2AR07220 | PULLEY,PAPER FEED | | | 1 | 1 | 1 | 1 |
| 32 | •302K908471 | SHAFT FEED MPF A | | | 1 | 1 | 1 | 1 |
| 33 | •302FB06151 | JOINT DRIVE | | | 1 | 1 | 1 | 1 |
| 34 | •302K908530 | SPRING PICKUP MPF | | | 1 | 1 | 1 | 1 |
| 35 | •302K908230 | HOLDER FEED MPF | | | 1 | 1 | 1 | 1 |
| 36 | •302K908290 | ACTUATOR PAPER SET | | | 1 | 1 | 1 | 1 |
| 37 | •302K908570 | SPRING PAPER SET | | | 1 | 1 | 1 | 1 |
| 38 | •7NXGP1A173LCH01 | SENSOR OPT. | | | 3 | 3 | 3 | 3 |
| 39 | •302K908460 | MOUNT PI | | | 2 | 2 | 2 | 2 |
| 40 | •302K946370 | WIRE MPF | | | 1 | 1 | 1 | 1 |
| 41 | •303M894260 | PARTS SENSOR OPT SP | | | 1 | 1 | 1 | 1 |
| 42 | •303LL02330 | HOLDER WIRE D | | | 2 | 2 | 2 | 2 |
| 43 | •302K931080 | WIRE STOPPER | | | 7 | 7 | 7 | 7 |
| 44 | •302K908480 | SHAFT FEED MPF B | | | 1 | 1 | 1 | 1 |
| 45 | •302K908320 | GUIDE DU LOWER | | | 1 | 1 | 1 | 1 |
| 46 | •302K908261 | CASE LIFT MOTOR A | | | 1 | 1 | 1 | 1 |
| 47 | •302ND94040 | PARTS DC MOTOR ASSY A SP | | | 1 | 1 | 1 | 1 |
| 48 | •302K908660 | PLATE DC MOTOR 6 | | | 1 | 1 | 1 | 1 |

FIG. 17 Paper Conveying Section 2

2XP/2XN

| Ref No. | Part.No. | Description | Notes | Revision | Quantity | | | |
|---------|-------------|-------------------------------|-------|----------|----------|-----|-----|-----|
| | | | | | 100 | 120 | 230 | 240 |
| 49 | •302K908370 | GEAR Z46S-Z18S | | | 1 | 1 | 1 | 1 |
| 50 | •302K908360 | WORM-WHEEL 36 Z18S | | | 1 | 1 | 1 | 1 |
| 51 | •302K908390 | GEAR LIFT Z25S | | | 1 | 1 | 1 | 1 |
| 52 | •302K908380 | GEAR LIFT Z64S | | | 1 | 1 | 1 | 1 |
| 53 | •302K908310 | LEVER LIFT | | | 1 | 1 | 1 | 1 |
| 54 | •302K908410 | GEAR RETARD MPF Z17L | | | 1 | 1 | 1 | 1 |
| 55 | •302K908450 | PIN RETARD MPF | | | 1 | 1 | 1 | 1 |
| 56 | •302K908692 | FILM DU GUIDE B | | | 1 | 1 | 1 | 1 |
| 57 | •302K908270 | COVER CLUTCH | | | 1 | 1 | 1 | 1 |
| 58 | •302NH94540 | PARTS CLUTCH 50 Z35R SP | | | 1 | 1 | 1 | 1 |
| 59 | •302K908630 | DAMPER MPF B | | | 1 | 1 | 1 | 1 |
| 60 | •302K908620 | DAMPER MPF A | | | 1 | 1 | 1 | 1 |
| 61 | •302K908640 | SPRING DAMPER | | | 1 | 1 | 1 | 1 |
| 62 | •302K908440 | GUIDE MIDDLE MPF | | | 1 | 1 | 1 | 1 |
| 63 | •302N408010 | SHEET MPF F | | | 1 | 1 | 1 | 1 |
| 64 | •302N408020 | SHEET MPF R | | | 1 | 1 | 1 | 1 |
| 65 | •302K908590 | FILM MIDDLE GUIDE | | | 1 | 1 | 1 | 1 |
| 66 | 302NH94460 | PARTS FILTER FAN ASSY(Z) SP | | | 2 | 2 | 2 | 2 |
| 67 | 302NH29050 | COVER DU | | | 1 | 1 | 1 | 1 |
| 68 | 302K929080 | GUIDE COVER DU | | | 1 | 1 | 1 | 1 |
| 101 | 7BB180408H | +BIND T.T S SCREW 4X8(BLACK) | | | | | | |
| 102 | 7BB280410H | +BIND T.T P SCREW 4X10(BLACK) | | | | | | |
| 103 | 7BB200410H | +BIND T.T P SCREW 4X10 | | | | | | |
| 104 | 7BB200308H | +BIND T.T P SCREW 3X8 | | | | | | |

FIG. 18 Paper Conveying Section 3

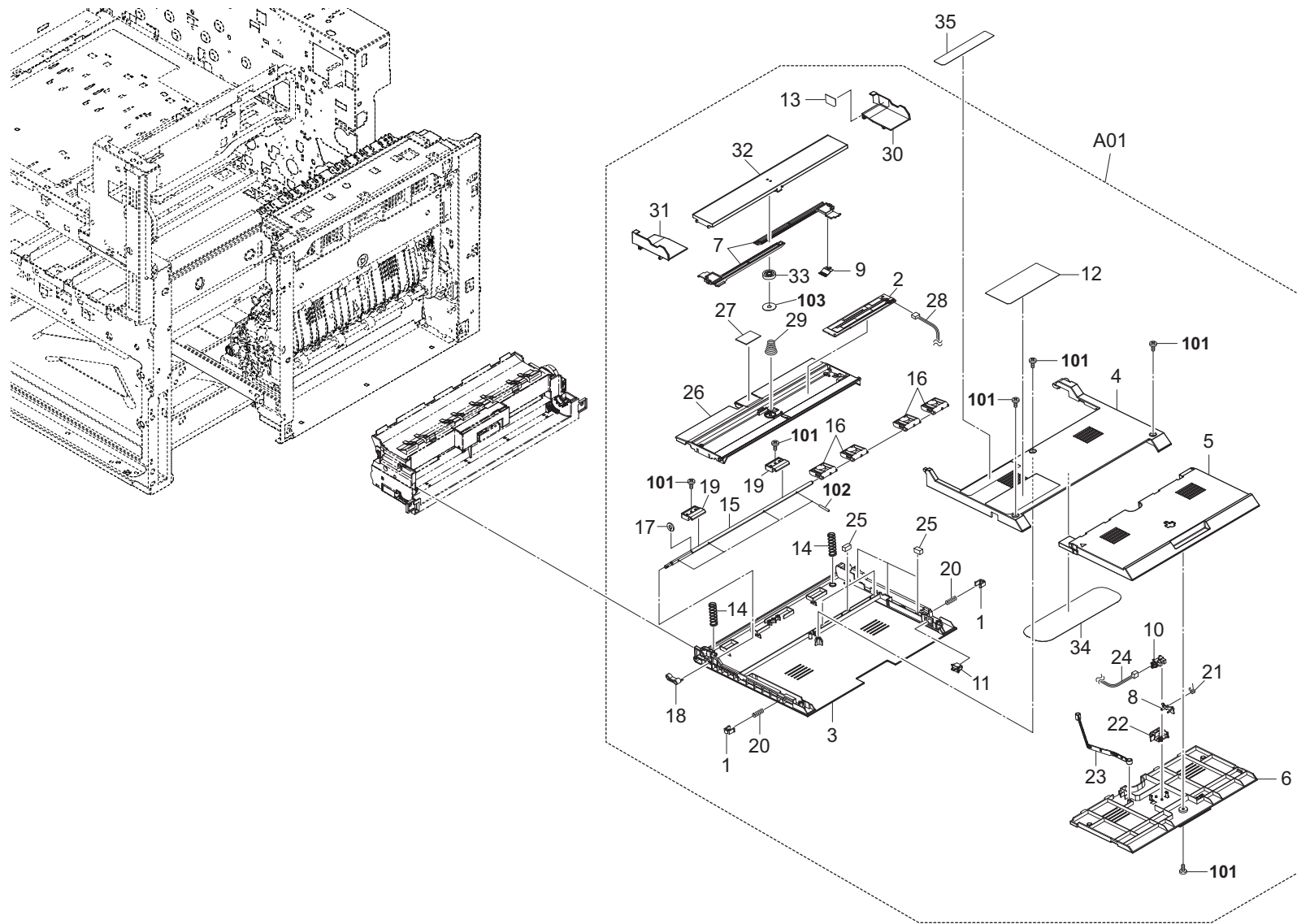


FIG. 18 Paper Conveying Section 3

2XP/2XN

| Ref No. | Part.No. | Description | Notes | Revision | Quantity | | | |
|---------|------------------|---------------------------------|-------|----------|----------|-----|-----|-----|
| | | | | | 100 | 120 | 230 | 240 |
| A01 | 302NH94261 | PARTS MPT TRAY UNIT SP | | | 1 | 1 | 1 | 1 |
| 1 | •302R408220 | STOPPER BYPASS TABLE | | | 2 | 2 | 2 | 2 |
| 2 | •302K994621 | PARTS PWB MPF SIZE ASSY SP | | | 1 | 1 | 1 | 1 |
| 3 | •302NH08010 | TRAY MPF A | | | 1 | 1 | 1 | 1 |
| 4 | •302NH08020 | TRAY MPF B | | | 1 | 1 | 1 | 1 |
| 5 | •302K908050 | TRAY MPF C | | | 1 | 1 | 1 | 1 |
| 6 | •302K908060 | TRAY MPF D | | | 1 | 1 | 1 | 1 |
| 7 | •302K908120 | RACK CURSOR MPF | | | 2 | 2 | 2 | 2 |
| 8 | •302K908211 | ACTUATOR SIZE DETECTION | | | 1 | 1 | 1 | 1 |
| 9 | •3HL06110 | TERMINAL PAPER SIZE | | | 1 | 1 | 1 | 1 |
| 10 | •7NXGP1A173LCH01 | SENSOR OPT. | | | 1 | 1 | 1 | 1 |
| 11 | •7SP01000006+H01 | SW.PUSH | | | 1 | 1 | 1 | 1 |
| 12 | •302NH34500 | LABEL MPF CAUTION A | | | 1 | 1 | 1 | 1 |
| 13 | •302NH34520 | LABEL MPF PAPER LIMIT | | | 1 | 1 | 1 | 1 |
| 14 | •302K908200 | SPRING-COMPRESSION LIFT | | | 2 | 2 | 2 | 2 |
| 15 | •302K908190 | SHAFT LIFT MPF | | | 1 | 1 | 1 | 1 |
| 16 | •302K908130 | ARM LIFT A | | | 4 | 4 | 4 | 4 |
| 17 | •302FB09830 | CUT WASHER 4 | | | 1 | 1 | 1 | 1 |
| 18 | •302K908140 | ARM LIFT B | | | 1 | 1 | 1 | 1 |
| 19 | •302K908650 | HOLDER MPF TABLE | | | 2 | 2 | 2 | 2 |
| 20 | •303LL07471 | SPRING PF | | | 2 | 2 | 2 | 2 |
| 21 | •302K908220 | SPRING-TORSION SIZE DETECTION | | | 1 | 1 | 1 | 1 |
| 22 | •302K908580 | HOLDER SIZE DETECTION | | | 1 | 1 | 1 | 1 |
| 23 | •302K908160 | GUIDE WIRE TRAY | | | 1 | 1 | 1 | 1 |
| 24 | •302K946600 | WIRE MPF SIZE DETECTION | | | 1 | 1 | 1 | 1 |
| 25 | •302H708150 | SPONGE WIRE MPT | | | 6 | 6 | 6 | 6 |
| 26 | •302NH08050 | BASE LIFT | | | 1 | 1 | 1 | 1 |
| 27 | •302F909211 | PAD BOTTOM | | | 1 | 1 | 1 | 1 |
| 28 | •302K946380 | WIRE MPF TRAY | | | 1 | 1 | 1 | 1 |
| 29 | •302H712650 | SPRING DRUM JOINT | | | 1 | 1 | 1 | 1 |
| 30 | •302K908110 | CURSOR MPF R | | | 1 | 1 | 1 | 1 |
| 31 | •302K908100 | CURSOR MPF F | | | 1 | 1 | 1 | 1 |
| 32 | •302NH08060 | COVER CURSOR | | | 1 | 1 | 1 | 1 |
| 33 | •65815060 | IDLE GEAR 40,TONER SUPPLY | | | 1 | 1 | 1 | 1 |
| 34 | •302K917100 | SEAL FRAME ISU | | | 1 | 1 | 1 | 1 |
| 35 | 302NH34540 | LABEL MPF SIZE INDICATOR IN | | | | 1 | | |
| 35 | 302NH34530 | LABEL MPF SIZE INDICATOR ME | | | 1 | | 1 | 1 |
| 101 | 7BB282308H | +TP-FLAT T.T P SCREW 3X8(BLACK) | | | | | | |
| 102 | 7BP512014B0CH01 | PARALLEL PIN 2.0X14 | | | | | | |
| 103 | 7BC06062N050H01 | POLYSLIDER 6.2X22X0.5T | | | | | | |

FIG. 19 Scanner Section

2XP/2XN

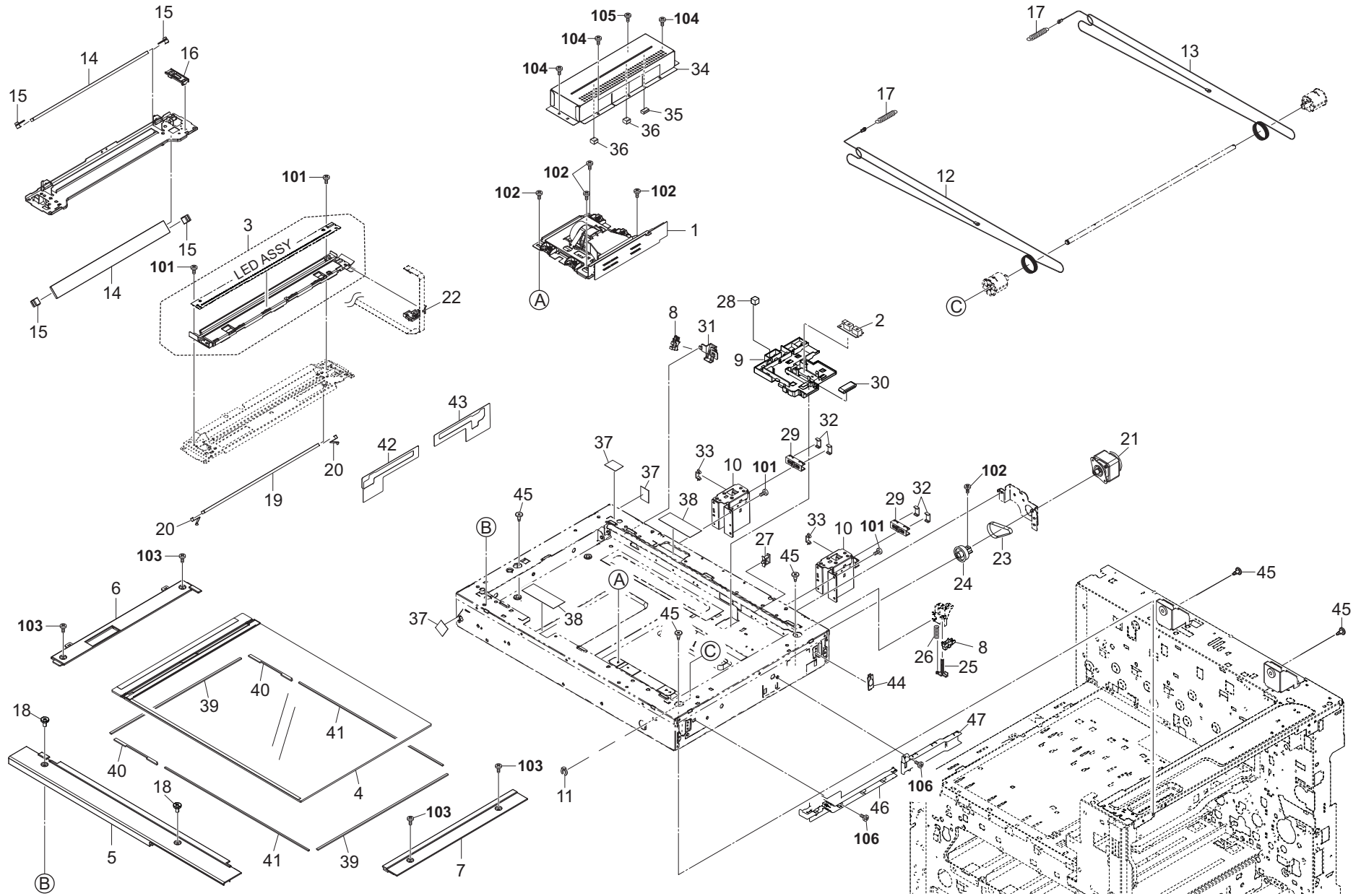


FIG. 19 Scanner Section

| Ref No. | Part.No. | Description | Notes | Revision | Quantity | | | |
|---------|-----------------|--------------------------------|-------|----------|----------|-----|-----|-----|
| | | | | | 100 | 120 | 230 | 240 |
| 1 | 302NH93230 | PARTS IMAGE SCANNER ASSY SP | | | 1 | 1 | 1 | 1 |
| 2 | 302ND94800 | PARTS SENSOR OPT SP | | | 1 | 1 | 1 | 1 |
| 3 | 302V693080 | PARTS MOUNT LED ASSY SP | | | 1 | 1 | 1 | 1 |
| 4 | 302NH94420 | PARTS CONTACT-GLASS ASSY(C) SP | | | 1 | | 1 | 1 |
| 4 | 302NH94410 | PARTS CONTACT-GLASS ASSY(I) SP | | | | 1 | | |
| 5 | 302NH04430 | COVER ISU FRONT | | | 1 | 1 | 1 | 1 |
| 6 | 302NH04510 | COVER ISU LEFT | | | 1 | 1 | 1 | 1 |
| 7 | 302NH04520 | COVER ISU RIGHT | | | 1 | 1 | 1 | 1 |
| 8 | 7NXGP1S173LCH01 | SENSOR OPT. | | | 2 | 2 | 2 | 2 |
| 9 | 302NH17380 | GUIDE WIRE ISU | | | 1 | 1 | 1 | 1 |
| 10 | 302N217010 | MOUNT DP HINGE | | | 2 | 2 | 2 | 2 |
| 11 | 2BC06910 | STOPPER 6 | | | 1 | 1 | 1 | 1 |
| 12 | 302H717381 | WIRE SCANNER FRONT | | | 1 | 1 | 1 | 1 |
| 13 | 302H717391 | WIRE SCANNER REAR | | | 1 | 1 | 1 | 1 |
| 14 | 302GR17281 | MIRROR B | | | 2 | 2 | 2 | 2 |
| 15 | 75712080 | MIRROR HOLDER | | | 4 | 4 | 4 | 4 |
| 16 | 302K317160 | GUIDE FFC LED B | | | 1 | 1 | 1 | 1 |
| 17 | 302C912291 | SPRING SCANNER TENSION | | | 2 | 2 | 2 | 2 |
| 18 | 302N404410 | PIN ISU FRONT | | | 2 | 2 | 2 | 2 |
| 19 | 302KK17320 | MIRROR A | | | 1 | 1 | 1 | 1 |
| 20 | 2BC12190 | SPRING,MIRROR HOLDER | | | 2 | 2 | 2 | 2 |
| 21 | 302N294010 | PARTS MOTOR ISU SP | | | 1 | 1 | 1 | 1 |
| 22 | 302V617080 | GUIDE FFC LED | | | 1 | 1 | 1 | 1 |
| 23 | 303M431120 | BELT 97ST1.5-6.0 | | | 1 | 1 | 1 | 1 |
| 24 | 302K917021 | PULLEY ISU Z59 | | | 1 | 1 | 1 | 1 |
| 25 | 302K917120 | SWITCH RELEASE | | | 1 | 1 | 1 | 1 |
| 26 | 302GR17380 | SPRING RELEASE SWITCH | | | 1 | 1 | 1 | 1 |
| 27 | 7YZM610003++H01 | ACCESS SADDLE | | | 1 | 1 | 1 | 1 |
| 28 | 302K319080 | SPONGE WIRE | | | 1 | 1 | 1 | 1 |
| 29 | 302LF39050 | GUIDE WIRE FRONT PWB | | | 2 | 2 | 2 | 2 |
| 30 | 7YBFG050K002H01 | FERRITE CORE | | | 1 | 1 | 1 | 1 |
| 31 | 302K317330 | MOUNT PI | | | 1 | 1 | 1 | 1 |
| 32 | 303LL02330 | HOLDER WIRE D | | | 4 | 4 | 4 | 4 |
| 33 | 302K931080 | WIRE STOPPER | | | 2 | 2 | 2 | 2 |
| 34 | 302NH17400 | COVER ISU | | | 1 | 1 | 1 | 1 |
| 35 | 7ZGSTGZ10022H01 | SHIELD GASKET | | | 1 | 1 | 1 | 1 |
| 36 | 7ZG65TSV+010H02 | SHIELD GASKET | | | 2 | 2 | 2 | 2 |
| 37 | 302H717440 | SEAL FRAME SIDE B | | | 3 | 3 | 3 | 3 |
| 38 | 302K317660 | FILM FRAME | | | 2 | 2 | 2 | 2 |
| 39 | 302K317650 | SEAL FRAME ISU C | | | 2 | 2 | 2 | 2 |
| 40 | 302K317450 | SEAL FRAME ISU A | | | 2 | 2 | 2 | 2 |
| 41 | 302K317460 | SEAL FRAME ISU B | | | 2 | 2 | 2 | 2 |
| 42 | 302K917170 | FILM FRAME SIDE F | | | 1 | 1 | 1 | 1 |
| 43 | 302K917180 | FILM FRAME SIDE R | | | 1 | 1 | 1 | 1 |
| 44 | 302K917240 | CAP PULLEY ISU | | | 1 | 1 | 1 | 1 |
| 45 | 302GR17180 | PIN SCANNER RETAINING | | | 5 | 5 | 5 | 5 |
| 46 | 302NH39390 | GUIDE WIRE USB B | | | 1 | 1 | 1 | 1 |
| 47 | 302LC05350 | GUIDE WIRE OPERATION | | | 1 | 1 | 1 | 1 |

FIG. 19 Scanner Section

2XP/2XN

| Ref No. | Part.No. | Description | Notes | Revision | Quantity | | | |
|---------|------------|------------------------------|-------|----------|----------|-----|-----|-----|
| | | | | | 100 | 120 | 230 | 240 |
| 101 | 7BB700308H | +BIND T.T S SCREW 3X8 SR | | | | | | |
| 102 | 7BB606308H | +PAN M SCREW WITH SW W 3X8 R | | | | | | |
| 103 | 7BB180408H | +BIND T.T S SCREW 4X8(BLACK) | | | | | | |
| 104 | 7BB700306H | +BIND T.T S SCREW 3X6 SR | | | | | | |
| 105 | 7BB200308H | +BIND T.T P SCREW 3X8 | | | | | | |
| 106 | 7BB700408H | +BIND T.T S SCREW 4X8 SR | | | | | | |
| | | | | | | | | |
| | | | | | | | | |
| | | | | | | | | |
| | | | | | | | | |
| | | | | | | | | |
| | | | | | | | | |
| | | | | | | | | |
| | | | | | | | | |
| | | | | | | | | |
| | | | | | | | | |
| | | | | | | | | |
| | | | | | | | | |
| | | | | | | | | |
| | | | | | | | | |
| | | | | | | | | |
| | | | | | | | | |
| | | | | | | | | |
| | | | | | | | | |

FIG. 20 Laser Scanner Section

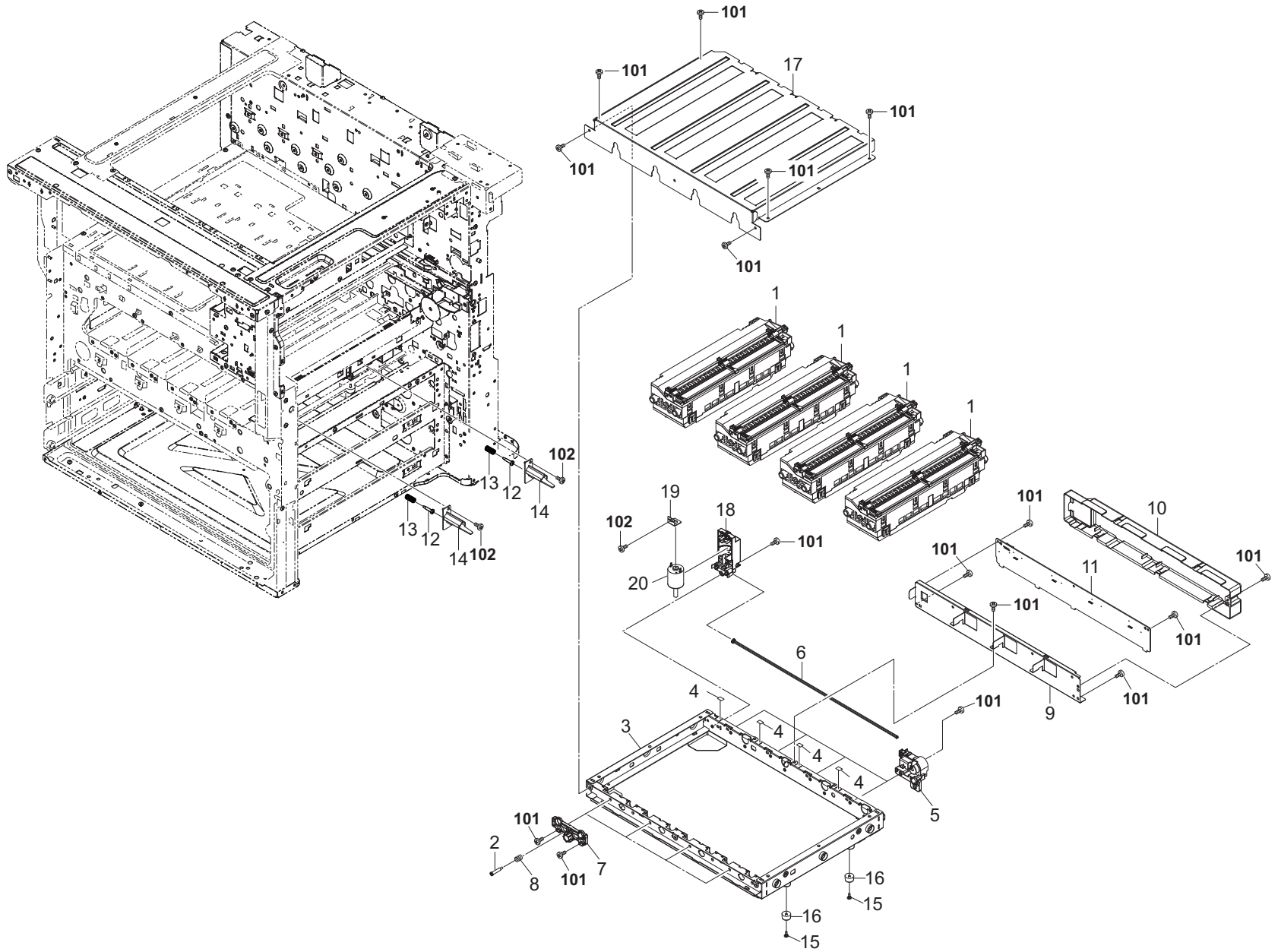


FIG. 20 Laser Scanner Section

2XP/2XN

| Ref No. | Part.No. | Description | Notes | Revision | Quantity | | | |
|---------|------------|------------------------------------|-------|----------|----------|-----|-----|-----|
| | | | | | 100 | 120 | 230 | 240 |
| 1 | 302NH93131 | LK-8720 | | | 4 | 4 | 4 | 4 |
| 2 | 302K902470 | PIN LSU RETAINING | | | 4 | 4 | 4 | 4 |
| 3 | 302K900022 | LSU RETAINER FRAME ASSY | | | 1 | 1 | 1 | 1 |
| 4 | 302K019140 | SHEET LSU FRAME | | | 4 | 4 | 4 | 4 |
| 5 | 302K902460 | HOLDER LSU REAR | | | 4 | 4 | 4 | 4 |
| 6 | 302K902490 | SHAFT GLASS CLN | | | 1 | 1 | 1 | 1 |
| 7 | 302K902380 | HOLDER LSU FRONT | | | 4 | 4 | 4 | 4 |
| 8 | 302K902480 | SPRING-COMPRESSION LSU RETAINING | | | 4 | 4 | 4 | 4 |
| 9 | 302K902370 | MOUNT LSU PWB | | | 1 | 1 | 1 | 1 |
| 10 | 302K902511 | COVER LSU PWB | | | 1 | 1 | 1 | 1 |
| 11 | 302NH94340 | PARTS PWB LSU JUNCTION CLR ASSY SP | | | 1 | 1 | 1 | 1 |
| 12 | 302K902410 | PIN LSU RETAINER | | | 2 | 2 | 2 | 2 |
| 13 | 302FZ20040 | SPRING LSU | | | 2 | 2 | 2 | 2 |
| 14 | 302K902910 | GUIDE LSU PIN | | | 2 | 2 | 2 | 2 |
| 15 | 2FB20860 | PIN FUSER COVER | | | 2 | 2 | 2 | 2 |
| 16 | 3CG02030 | BASE RUBBER,FRAME | | | 2 | 2 | 2 | 2 |
| 17 | 302K902550 | MOUNT LSU LID | | | 1 | 1 | 1 | 1 |
| 18 | 302K902A00 | HOLDER MOTOR | | | 1 | 1 | 1 | 1 |
| 19 | 302K902610 | PLATE DC MOTOR 10 | | | 1 | 1 | 1 | 1 |
| 20 | 302K994D00 | PARTS DC MOTOR ASSY B SP | | | 1 | 1 | 1 | 1 |
| 101 | 7BB700308H | +BIND T.T S SCREW 3X8 SR | | | | | | |
| 102 | 7BB200308H | +BIND T.T P SCREW 3X8 | | | | | | |

FIG. 21 Image Formation & Developer Section

2XP/2XN

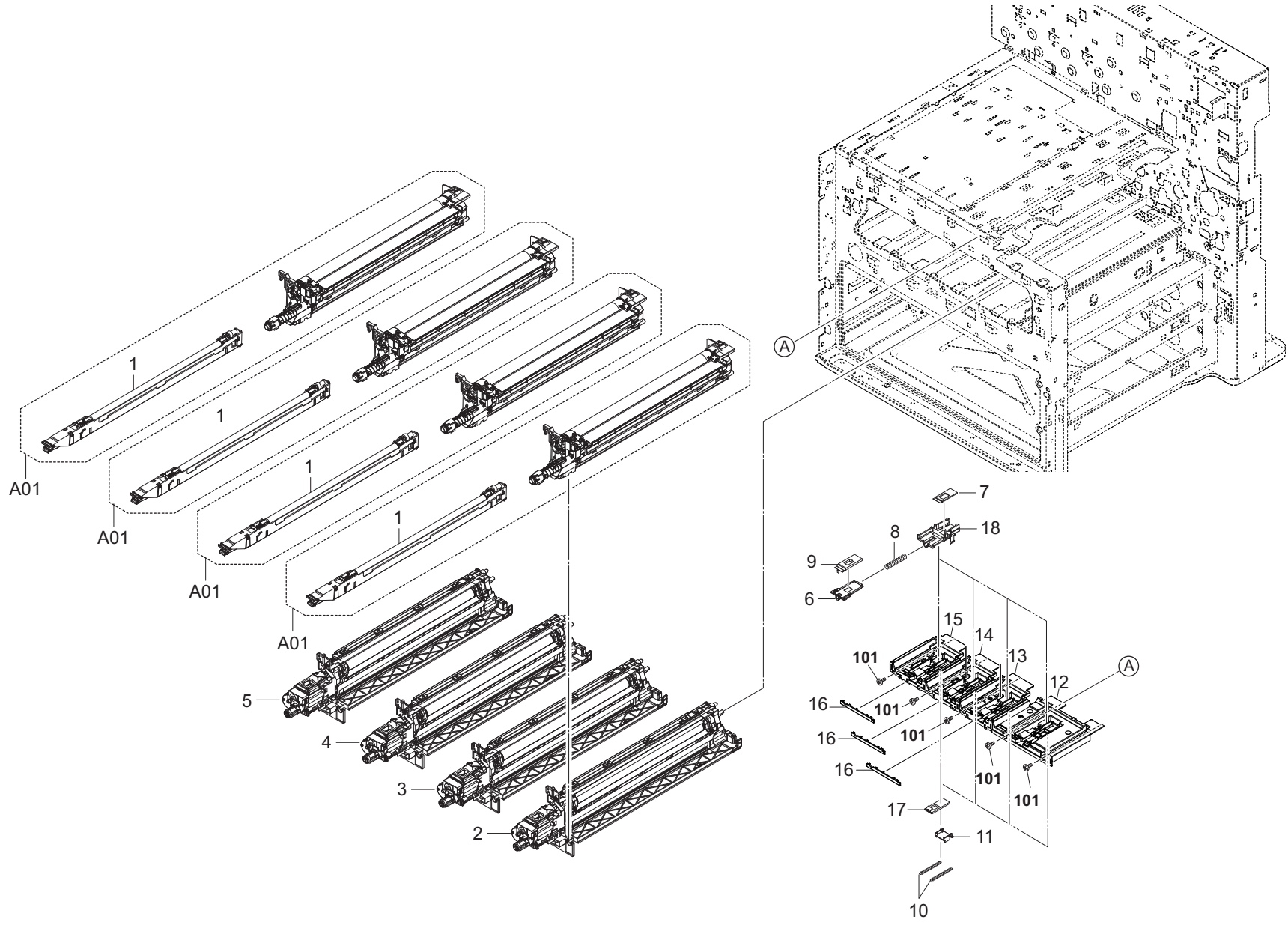


FIG. 21 Image Formation & Developer Section

2XP/2XN

| Ref No. | Part.No. | Description | Notes | Revision | Quantity | | | |
|---------|-------------|--------------------------|-------|----------|----------|-----|-----|-----|
| | | | | | 100 | 120 | 230 | 240 |
| A01 | 302NH93061 | DK-8720 | | | 4 | 4 | 4 | 4 |
| 1 | •302NH93071 | MC-8720 | | | 4 | 4 | 4 | 4 |
| 2 | 302NH93020 | DV-8720K | | | | 1 | 1 | 1 |
| 2 | 302NH9J020 | DV-8720K(J) | | | 1 | | | |
| 3 | 302NH93040 | DV-8720M | | | | 1 | 1 | 1 |
| 3 | 302NH9J040 | DV-8720M(J) | | | 1 | | | |
| 4 | 302NH93030 | DV-8720C | | | | 1 | 1 | 1 |
| 4 | 302NH9J030 | DV-8720C(J) | | | 1 | | | |
| 5 | 302NH93050 | DV-8720Y | | | | 1 | 1 | 1 |
| 5 | 302NH9J050 | DV-8720Y(J) | | | 1 | | | |
| 6 | 302H703100 | SHUTTER PIPE UP | | | 4 | 4 | 4 | 4 |
| 7 | 302H703130 | SEAL PIPE DLP UP | | | 4 | 4 | 4 | 4 |
| 8 | 302H703240 | SPRING PIPE UP | | | 4 | 4 | 4 | 4 |
| 9 | 302H703570 | SEAL CONT SHUTTER | | | 4 | 4 | 4 | 4 |
| 10 | 302K914370 | SPRING SHUTTER | | | 8 | 8 | 8 | 8 |
| 11 | 302K915240 | SHUTTER HOPPER UP | | | 4 | 4 | 4 | 4 |
| 12 | 302NH15020 | GUIDE CONTAINER K | | | 1 | 1 | 1 | 1 |
| 13 | 302NH15030 | GUIDE CONTAINER M | | | 1 | 1 | 1 | 1 |
| 14 | 302NH15040 | GUIDE CONTAINER C | | | 1 | 1 | 1 | 1 |
| 15 | 302NH15050 | GUIDE CONTAINER Y | | | 1 | 1 | 1 | 1 |
| 16 | 302NH15010 | COVER CONTAINER GUIDE | | | 3 | 3 | 3 | 3 |
| 17 | 302K915320 | SEAL SHUTTER | | | 4 | 4 | 4 | 4 |
| 18 | 302H703542 | PIPE DLP UP | | | 4 | 4 | 4 | 4 |
| 101 | 7BB700408H | +BIND T.T S SCREW 4X8 SR | | | | | | |

FIG. 22 Inner Section

2XP/2XN

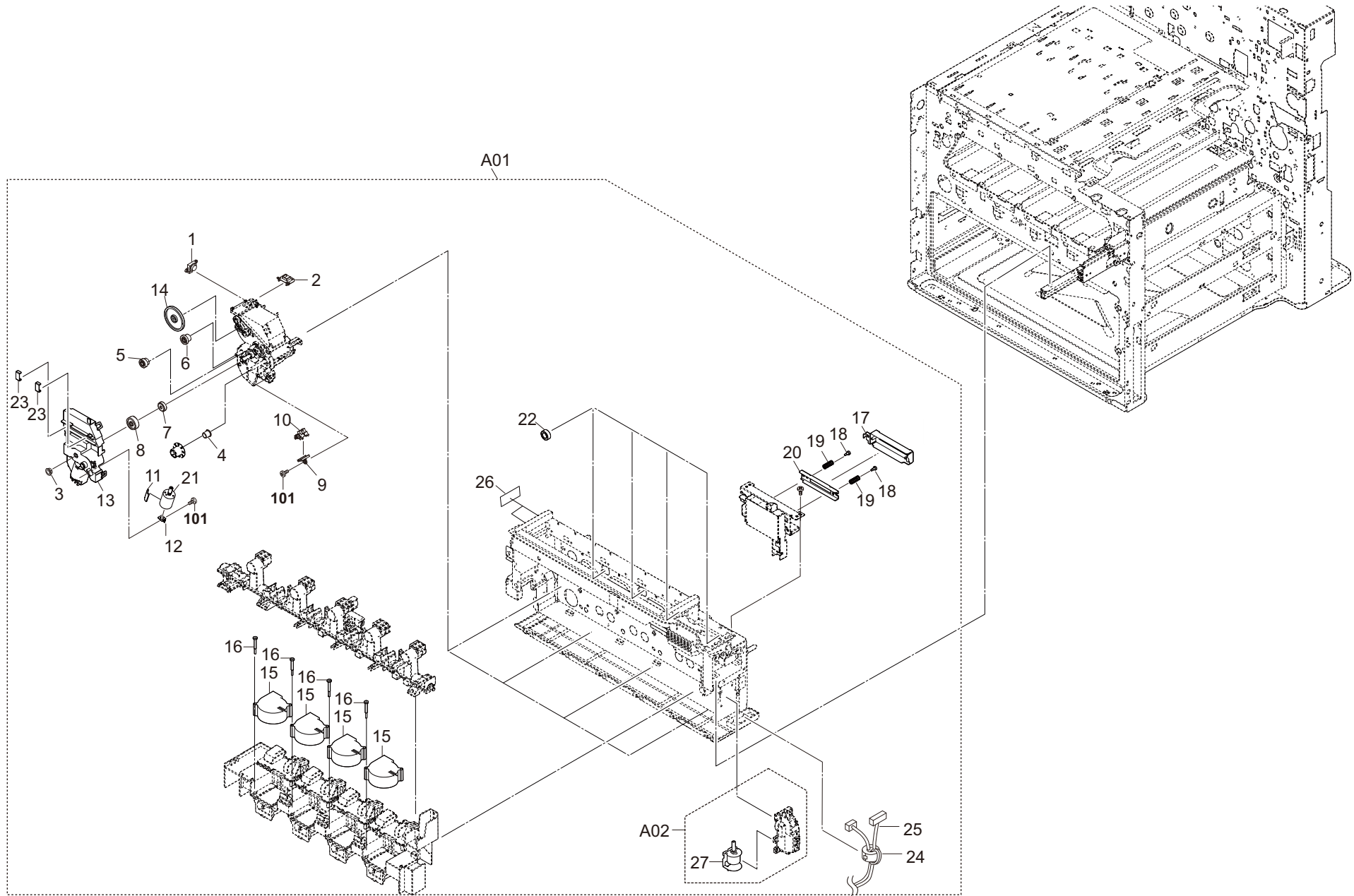


FIG. 22 Inner Section

2XP/2XN

| Ref No. | Part.No. | Description | Notes | Revision | Quantity | | | |
|---------|------------------|--------------------------------|-------|----------|----------|-----|-----|-----|
| | | | | | 100 | 120 | 230 | 240 |
| A01 | 302NH94201 | PARTS INNER UNIT SP | | | 1 | 1 | 1 | 1 |
| 1 | •3033915181 | TONER EMPTY DETECTION SENSOR | | | 4 | 4 | 4 | 4 |
| 2 | •302K915460 | SHUTTER HOPPER UP | | | 4 | 4 | 4 | 4 |
| 3 | •2A116180 | BUSHING,TRANSFER | | | 4 | 4 | 4 | 4 |
| 4 | •302K915450 | BUSH SCREW | | | 4 | 4 | 4 | 4 |
| 5 | •302K915160 | GEAR Z21S-Z15S | | | 4 | 4 | 4 | 4 |
| 6 | •302K915210 | GEAR Z32R-Z14S | | | 4 | 4 | 4 | 4 |
| 7 | •302K915200 | GEAR Z21S | | | 4 | 4 | 4 | 4 |
| 8 | •302K915190 | GEAR Z48L | | | 4 | 4 | 4 | 4 |
| 9 | •302K921410 | MOUNT PI | | | 4 | 4 | 4 | 4 |
| 10 | •7NXGP1A173LCH01 | SENSOR OPT. | | | 4 | 4 | 4 | 4 |
| 11 | •302LC31511 | SEAL MOTOR DC | | | 4 | 4 | 4 | 4 |
| 12 | •302K908660 | PLATE DC MOTOR 6 | | | 4 | 4 | 4 | 4 |
| 13 | •302K915130 | HOLDER MOTOR | | | 4 | 4 | 4 | 4 |
| 14 | •302K915170 | GEAR Z60S | | | 4 | 4 | 4 | 4 |
| 15 | •302LC94380 | PARTS FAN COOLING LSU 60 SP | | | 4 | 4 | 4 | 4 |
| 16 | •302H733430 | SCREW FAN | | | 4 | 4 | 4 | 4 |
| 17 | •302K924341 | MOUNT DRAWER A | | | 1 | 1 | 1 | 1 |
| 18 | •302K924350 | PIN DRAWER | | | 2 | 2 | 2 | 2 |
| 19 | •302K924360 | SPRING DRAWER | | | 2 | 2 | 2 | 2 |
| 20 | •302K924381 | MOUNT DRAWER B | | | 1 | 1 | 1 | 1 |
| 21 | •303PX94010 | PARTS DC MOTOR ASSY SP | | | 4 | 4 | 4 | 4 |
| 22 | •7BE010197431H01 | BEARING 6800ZZ(7MM) | | | 4 | 4 | 4 | 4 |
| 23 | •303LL02330 | HOLDER WIRE D | | | 8 | 8 | 8 | 8 |
| 24 | •7YBEJ0J0D002H01 | FERRITE CORE | | | 1 | 1 | 1 | 1 |
| 25 | •302NH46A40 | CONN.CORD ASSY DLP FAN | | | 1 | 1 | 1 | 1 |
| 26 | •302LH29050 | SHEET DU GUIDE LOWER | | | 2 | 2 | 2 | 2 |
| A02 | •302NH94520 | PARTS HOLDER MOTOR ASSY SP | | | 1 | 1 | 1 | 1 |
| 27 | ••302K994B11 | PARTS CLN WT MOTOR ASSY (M) SP | | | 1 | 1 | 1 | 1 |
| 101 | 7BB200308H | +BIND T.T P SCREW 3X8 | | | | | | |

FIG. 23 Transfer Section

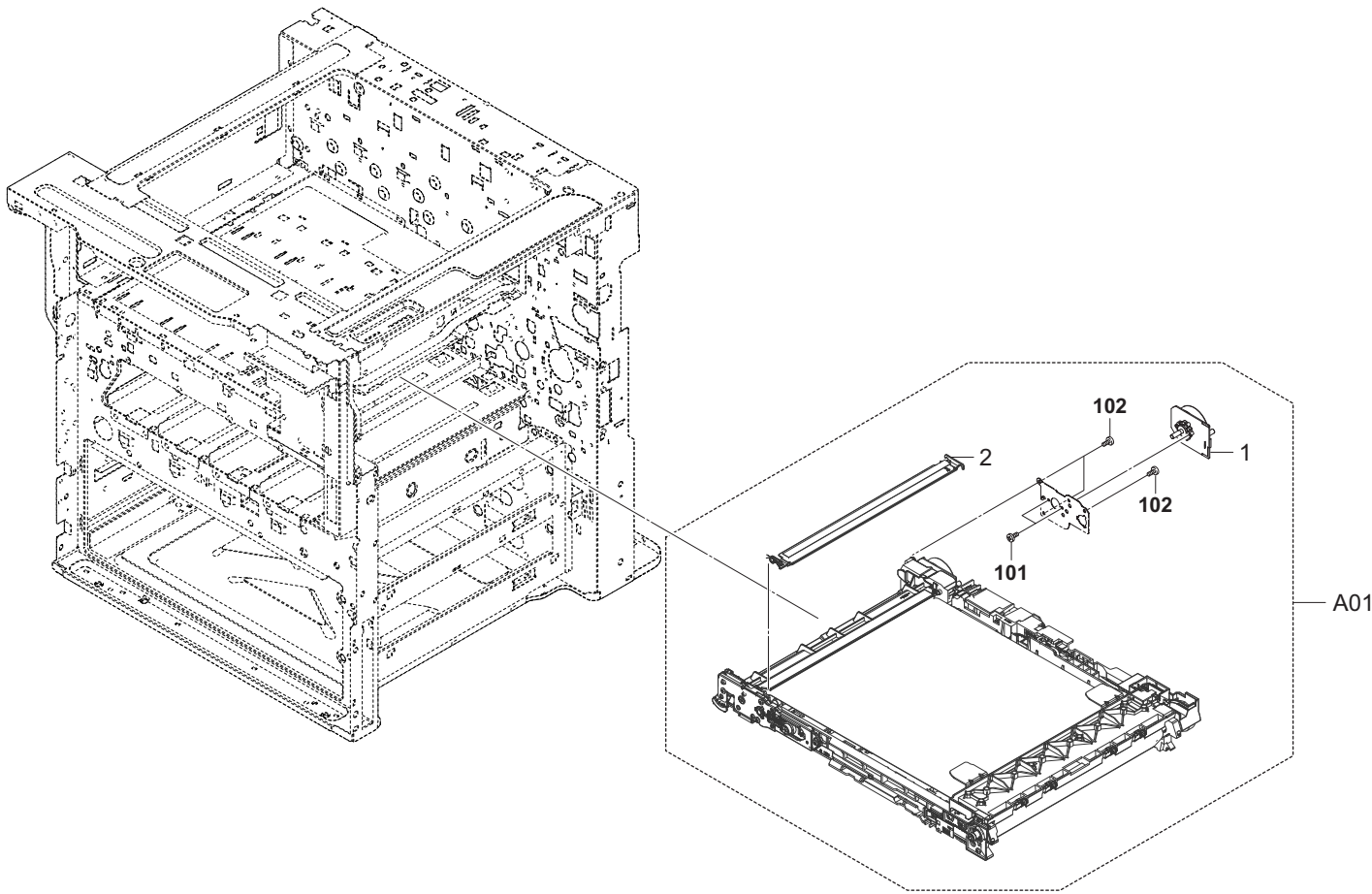


FIG. 23 Transfer Section

| Ref No. | Part.No. | Description | Notes | Revision | Quantity | | | |
|---------|-------------|----------------------------|-------|----------|----------|-----|-----|-----|
| | | | | | 100 | 120 | 230 | 240 |
| A01 | 302NH93142 | TR-8720 | | | 1 | 1 | 1 | 1 |
| 1 | •302K994324 | PARTS MOTOR-BL W20 SP | | | 1 | 1 | 1 | 1 |
| 2 | •302NH94240 | PARTS PRE BELT CLN ASSY SP | | | 1 | 1 | 1 | 1 |
| 101 | 7BB600306H | +BIND M SCREW 3X6 R | | | | | | |
| 102 | 7BB200410H | +BIND T.T P SCREW 4X10 | | | | | | |
| | | | | | | | | |
| | | | | | | | | |
| | | | | | | | | |
| | | | | | | | | |
| | | | | | | | | |
| | | | | | | | | |
| | | | | | | | | |
| | | | | | | | | |
| | | | | | | | | |
| | | | | | | | | |
| | | | | | | | | |
| | | | | | | | | |
| | | | | | | | | |
| | | | | | | | | |
| | | | | | | | | |
| | | | | | | | | |
| | | | | | | | | |
| | | | | | | | | |
| | | | | | | | | |
| | | | | | | | | |
| | | | | | | | | |
| | | | | | | | | |
| | | | | | | | | |
| | | | | | | | | |
| | | | | | | | | |
| | | | | | | | | |
| | | | | | | | | |
| | | | | | | | | |
| | | | | | | | | |
| | | | | | | | | |
| | | | | | | | | |
| | | | | | | | | |
| | | | | | | | | |
| | | | | | | | | |
| | | | | | | | | |
| | | | | | | | | |
| | | | | | | | | |
| | | | | | | | | |
| | | | | | | | | |
| | | | | | | | | |
| | | | | | | | | |
| | | | | | | | | |

FIG. 24 Fuser Section

2XP/2XN

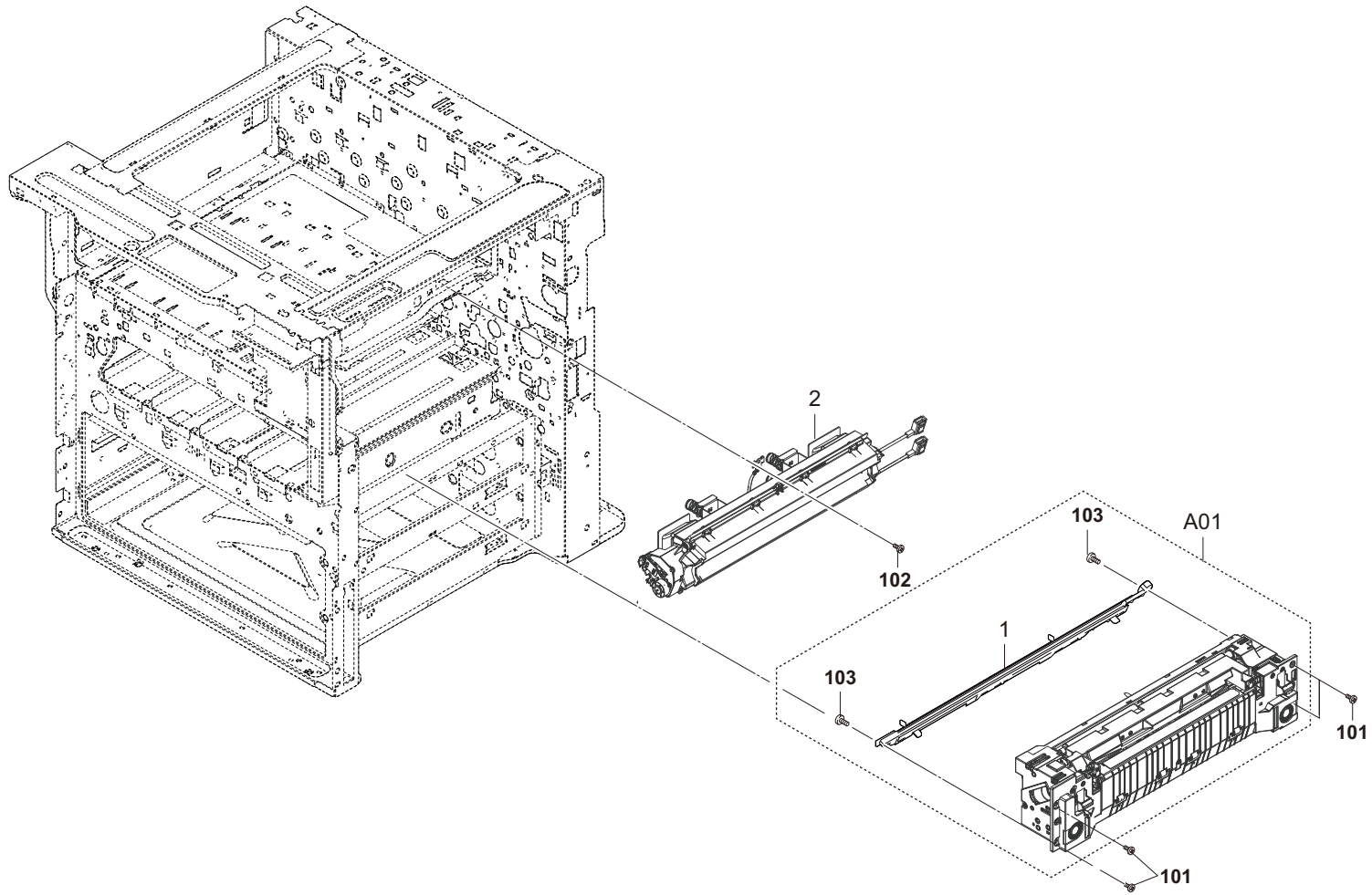


FIG. 24 Fuser Section

| Ref No. | Part.No. | Description | Notes | Revision | Quantity | | | |
|---------|-------------|---------------------------------------|-------|----------|----------|-----|-----|-----|
| | | | | | 100 | 120 | 230 | 240 |
| A01 | 302NH93085 | FK-8720 | | | 1 | | | |
| A01 | 302NH93094 | FK-8721 | | | | 1 | | |
| A01 | 302NH93104 | FK-8722 | | | | | 1 | 1 |
| 1 | •302NH94480 | PARTS FUSER DISCHARGER NEEDLE UNIT SP | | | 1 | 1 | 1 | 1 |
| 2 | 302NH93110 | FK-8740 IH | | | 1 | 1 | | |
| 2 | 302NH93120 | FK-8745 IH | | | | | 1 | 1 |
| 101 | 7BB700412H | +BIND T.T S SCREW 4X12 SR | | | | | | |
| 102 | 7BB700408H | +BIND T.T S SCREW 4X8 SR | | | | | | |
| 103 | 7BB606308H | +PAN M SCREW WITH SW W 3X8 R | | | | | | |
| | | | | | | | | |
| | | | | | | | | |
| | | | | | | | | |
| | | | | | | | | |
| | | | | | | | | |
| | | | | | | | | |
| | | | | | | | | |
| | | | | | | | | |
| | | | | | | | | |
| | | | | | | | | |
| | | | | | | | | |
| | | | | | | | | |
| | | | | | | | | |
| | | | | | | | | |
| | | | | | | | | |
| | | | | | | | | |
| | | | | | | | | |
| | | | | | | | | |
| | | | | | | | | |
| | | | | | | | | |
| | | | | | | | | |
| | | | | | | | | |
| | | | | | | | | |

FIG. 25 Drive Section 1

2XP/2XN

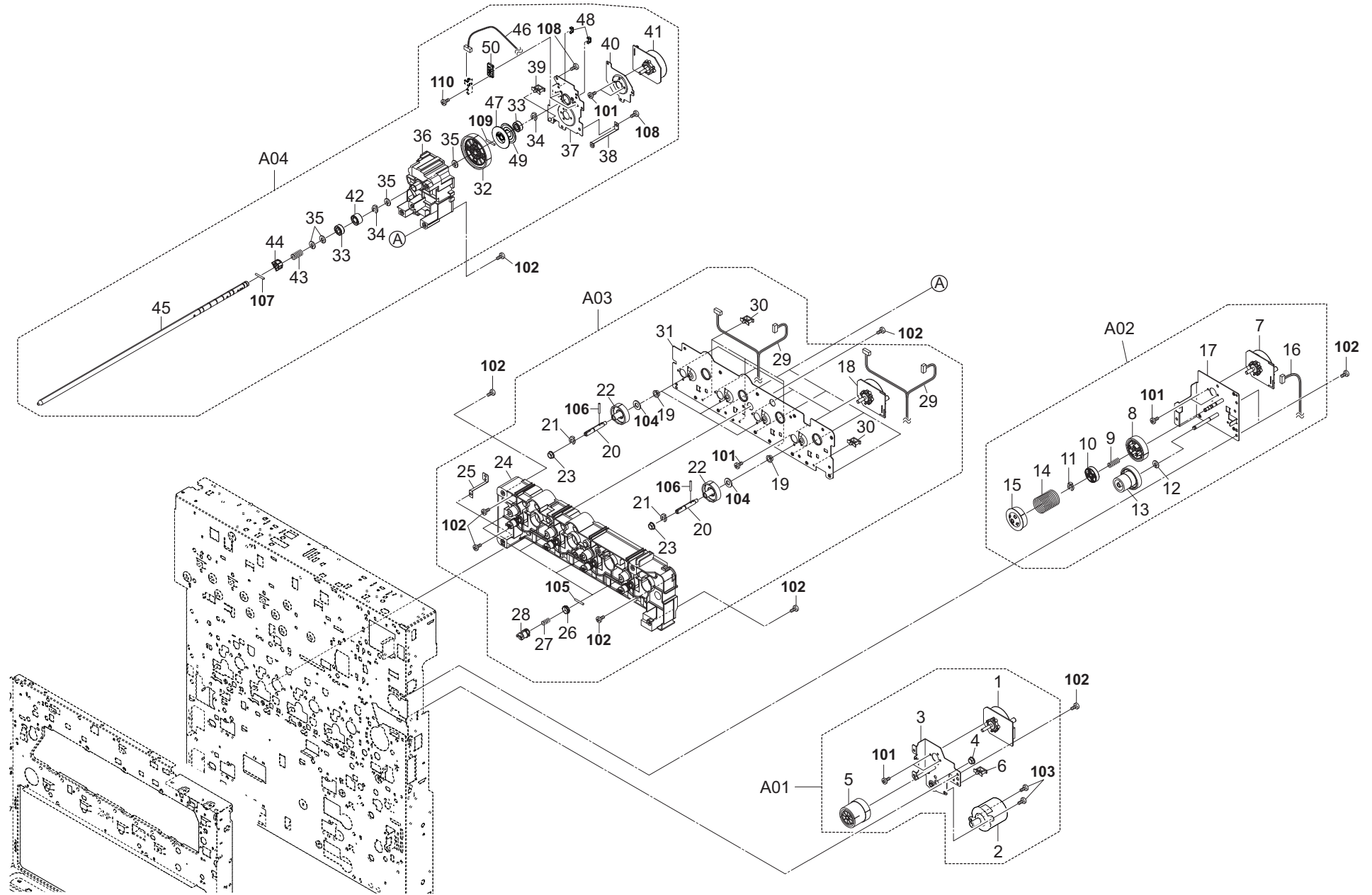


FIG. 25 Drive Section 1

2XP/2XN

| Ref No. | Part.No. | Description | Notes | Revision | Quantity | | | |
|---------|------------------|------------------------------|-------|----------|----------|-----|-----|-----|
| | | | | | 100 | 120 | 230 | 240 |
| A01 | 302XN94020 | PARTS TRANSFER DRIVE UNIT SP | | | 1 | 1 | 1 | 1 |
| 1 | •302K994292 | PARTS MOTOR-BL W30 DRUM SP | | | 1 | 1 | 1 | 1 |
| 2 | •302XT94010 | PARTS MOTOR-BL INNER W10 SP | | | 1 | 1 | 1 | 1 |
| 3 | •302NH31910 | PLATE TRANSFER DRIVE | | | 1 | 1 | 1 | 1 |
| 4 | •302RH31150 | BUSH DRIVE | | | 1 | 1 | 1 | 1 |
| 5 | •302K931920 | GEAR Z100R Z48R | | | 1 | 1 | 1 | 1 |
| 6 | •7YZM610007++H01 | ACCESS.SADDLE | | | 1 | 1 | 1 | 1 |
| A02 | 302NH94151 | PARTS FUSER DRIVE UNIT SP | | | 1 | 1 | 1 | 1 |
| 7 | •302K994334 | PARTS MOTOR-BL W30 SP | | | 1 | 1 | 1 | 1 |
| 8 | •302K931620 | GEAR Z90R JOINT | | | 1 | 1 | 1 | 1 |
| 9 | •302H731650 | SPRING PADDLE CONT D | | | 1 | 1 | 1 | 1 |
| 10 | •302K931640 | JOINT FUSER DRIVE | | | 1 | 1 | 1 | 1 |
| 11 | •5MVX111DN003 | RING STOPPER /A-49 FEED A4 | | | 1 | 1 | 1 | 1 |
| 12 | •302LC31640 | CUT WASHER 5X10 | | | 1 | 1 | 1 | 1 |
| 13 | •302K931670 | GEAR Z67S-Z25S | | | 1 | 1 | 1 | 1 |
| 14 | •302K931660 | SPRING JOINT | | | 1 | 1 | 1 | 1 |
| 15 | •302K931630 | GEAR Z50S JOINT | | | 1 | 1 | 1 | 1 |
| 16 | •302NH46020 | CONN.CORD ASSY FUSER MOTOR H | | | 1 | 1 | 1 | 1 |
| 17 | •302K931612 | PLATE FUSER DRIVE | | | 1 | 1 | 1 | 1 |
| A03 | 302NH93151 | DR-8720 | | | 1 | 1 | 1 | 1 |
| 18 | •302K994894 | PARTS MOTOR-BL W30 DLP SP | | | 4 | 4 | 4 | 4 |
| 19 | •302H702590 | BUSH SCREW | | | 4 | 4 | 4 | 4 |
| 20 | •302K931180 | SHAFT DLP DRIVE | | | 4 | 4 | 4 | 4 |
| 21 | •2BC06910 | STOPPER 6 | | | 4 | 4 | 4 | 4 |
| 22 | •302K931190 | GEAR Z74R | | | 4 | 4 | 4 | 4 |
| 23 | •302H024830 | BUSH 8 | | | 4 | 4 | 4 | 4 |
| 24 | •302K931163 | HOLDER MAIN DRIVE | | | 1 | 1 | 1 | 1 |
| 25 | •302K931170 | PLATE EARTH MAIN | | | 1 | 1 | 1 | 1 |
| 26 | •302FZ31280 | COLLAR DLP COUPLING | | | 4 | 4 | 4 | 4 |
| 27 | •302BG22531 | SPRING COUPLING DLP | | | 4 | 4 | 4 | 4 |
| 28 | •302FZ31250 | COUPLING DLP DRIVE | | | 4 | 4 | 4 | 4 |
| 29 | •302NH46030 | CONN.CORD ASSY DLP MOT | | | 2 | 2 | 2 | 2 |
| 30 | •7YZM610008++H01 | ACCESS.SADDLE | | | 4 | 4 | 4 | 4 |
| 31 | •302K931232 | PLATE MAIN DRIVE | | | 1 | 1 | 1 | 1 |
| A04 | 302NH93201 | DRUM DRIVE H UNIT SP | | | 4 | 4 | 4 | 4 |
| 32 | •302K931570 | GEAR Z160R | | | 1 | 1 | 1 | 1 |
| 33 | •7BE010197431H01 | BEARING 6800ZZ(7MM) | | | 2 | 2 | 2 | 2 |
| 34 | •302K921120 | STOPPER 8 | | | 2 | 2 | 2 | 2 |
| 35 | •302K931840 | CUT-WASHER 8X17 | | | 4 | 4 | 4 | 4 |
| 36 | •302K931013 | HOLDER DRUM DRIVE | | | 1 | 1 | 1 | 1 |
| 37 | •302K931022 | PLATE DRUM DRIVE | | | 1 | 1 | 1 | 1 |
| 38 | •302K931070 | PLATE EARTH DRUM | | | 1 | 1 | 1 | 1 |
| 39 | •7YZM610001++H01 | ACCESS SADDLE | | | 1 | 1 | 1 | 1 |
| 40 | •302K931100 | PLATE MOTOR DRUM | | | 1 | 1 | 1 | 1 |
| 41 | •302K994292 | PARTS MOTOR-BL W30 DRUM SP | | | 1 | 1 | 1 | 1 |
| 42 | •302K931060 | HOLDER BEARING SUPPORT | | | 1 | 1 | 1 | 1 |
| 43 | •302LC31070 | SPRING DRUM JOINT | | | 1 | 1 | 1 | 1 |
| 44 | •302K931130 | COUPLING DRUM | | | 1 | 1 | 1 | 1 |
| 45 | •302K931041 | SHAFT DRUM DRIVE | | | 1 | 1 | 1 | 1 |
| 46 | •302K946300 | WIRE ENCODER | | | 1 | 1 | 1 | 1 |

FIG. 25 Drive Section 1

2XP/2XN

| Ref No. | Part.No. | Description | Notes | Revision | Quantity | | | |
|---------|-----------------|--------------------------------------|-------|----------|----------|-----|-----|-----|
| | | | | | 100 | 120 | 230 | 240 |
| 47 | •302K931050 | BRACKET ENCORDER | | | 1 | 1 | 1 | 1 |
| 48 | •302K931080 | WIRE STOPPER | | | 2 | 2 | 2 | 2 |
| 49 | •302K931090 | ENCORDER DRUM | | | 1 | 1 | 1 | 1 |
| 50 | •302K931150 | HOLDER SENSOR DRUM | | | 2 | 2 | 2 | 2 |
| 101 | 7BB000304H | +BIND M SCREW 3X4 | | | | | | |
| 102 | 7BB700408H | +BIND T.T S SCREW 4X8 SR | | | | | | |
| 103 | 7BB700308H | +BIND T.T S SCREW 3X8 SR | | | | | | |
| 104 | C2891120 | POLYESTER SLIDER WASHER 6.2X12X0.25T | | | | | | |
| 105 | 7BP512512B0CH01 | PARALLEL PIN 2.5X12 | | | | | | |
| 106 | 7BP512516B0CH01 | PARALLEL PIN 2.5X16 | | | | | | |
| 107 | 7BP512522B0CH01 | PARALLEL PIN 2.5X22 | | | | | | |
| 108 | 7BB200410H | +BIND T.T P SCREW 4X10 | | | | | | |
| 109 | 7BP513040B0CH01 | PARALLEL PIN 3.0X40 | | | | | | |
| 110 | 7BB200205H | BIND T.T P SCREW 2X5 | | | | | | |

FIG. 26 Drive Section 2

2XP/2XN

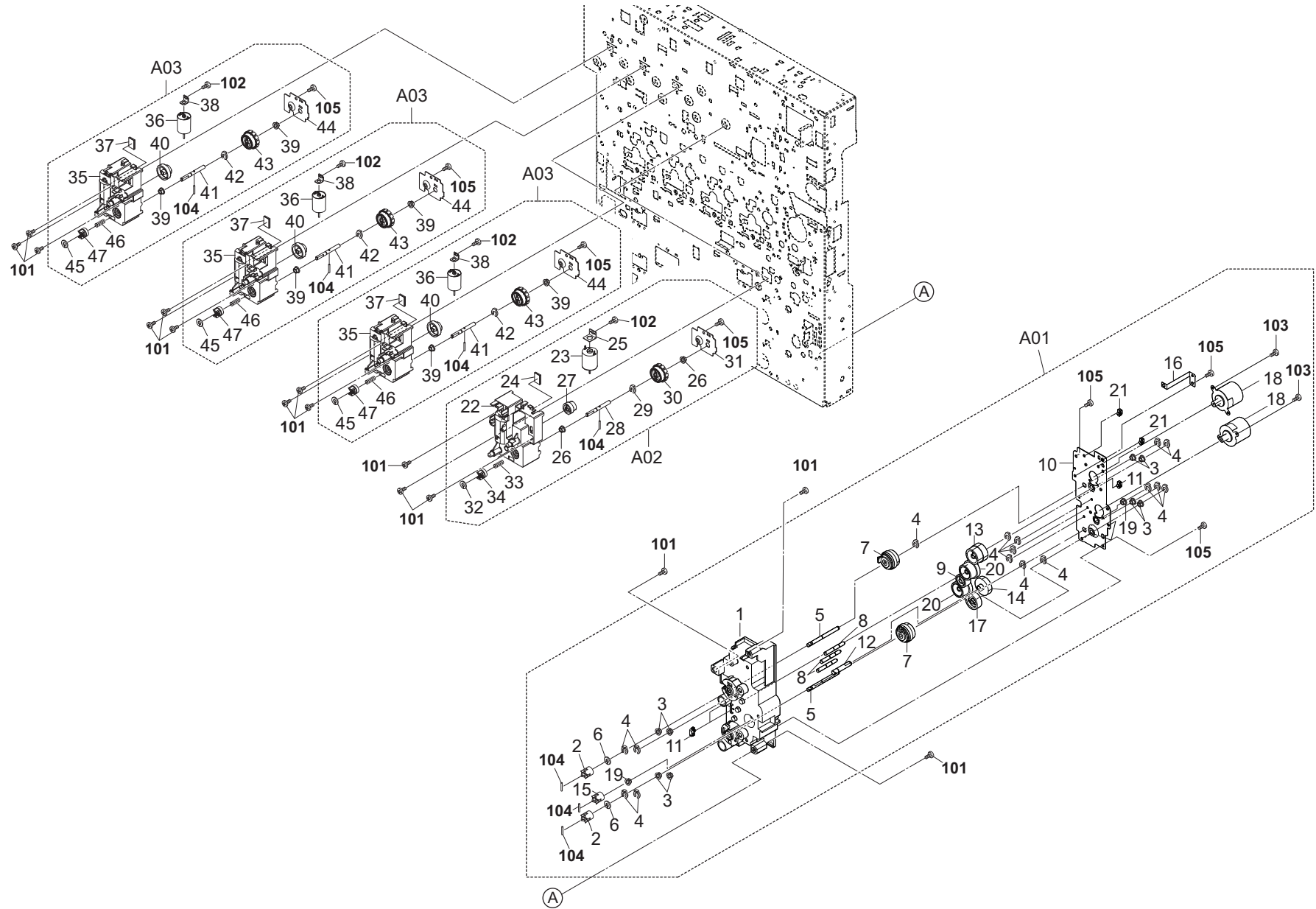


FIG. 26 Drive Section 2

2XP/2XN

| Ref No. | Part.No. | Description | Notes | Revision | Quantity | | | |
|---------|------------------|----------------------------------|-------|----------|----------|-----|-----|-----|
| | | | | | 100 | 120 | 230 | 240 |
| A01 | 302XT93010 | PARTS FEED DRIVE H UNIT SP | | | 1 | 1 | 1 | 1 |
| 1 | •302NH31410 | HOLDER FEED DRIVE | | | 1 | 1 | 1 | 1 |
| 2 | •302K931530 | COUPLING DRIVE | | | 2 | 2 | 2 | 2 |
| 3 | •302H702590 | BUSH SCREW | | | 8 | 8 | 8 | 8 |
| 4 | •5MVX111DN003 | RING STOPPER /A-49 FEED A4 | | | 16 | 16 | 16 | 16 |
| 5 | •302K931431 | SHAFT FEED DRIVE | | | 2 | 2 | 2 | 2 |
| 6 | •302K924820 | CUT-WASHER 4 | | | 2 | 2 | 2 | 2 |
| 7 | •302NH94540 | PARTS CLUTCH 50 Z35R SP | | | 2 | 2 | 2 | 2 |
| 8 | •302NH31100 | PIN FEED DRIVE | | | 3 | 3 | 3 | 3 |
| 9 | •302K931500 | GEAR Z28R | | | 1 | 1 | 1 | 1 |
| 10 | •302NH31420 | PLATE FEED DRIVE | | | 1 | 1 | 1 | 1 |
| 11 | •7YZM610007++H01 | ACCESS.SADDLE | | | 3 | 3 | 3 | 3 |
| 12 | •302NH31440 | SHAFT FEED | | | 1 | 1 | 1 | 1 |
| 13 | •302NH31490 | GEAR Z61R-Z35R | | | 1 | 1 | 1 | 1 |
| 14 | •302NH31510 | GEAR Z64R | | | 1 | 1 | 1 | 1 |
| 15 | •302NH31530 | COUPLING DRIVE | | | 1 | 1 | 1 | 1 |
| 16 | •302NH31540 | PLATE EARTH FEED | | | 1 | 1 | 1 | 1 |
| 17 | •302NH31550 | GEAR Z35R | | | 1 | 1 | 1 | 1 |
| 18 | •302XT94010 | PARTS MOTOR-BL INNER W10 SP | | | 2 | 2 | 2 | 2 |
| 19 | •302H024830 | BUSH 8 | | | 2 | 2 | 2 | 2 |
| 20 | •302K931520 | GEAR Z40L-Z34L | | | 2 | 2 | 2 | 2 |
| 21 | •7YZM610001++H01 | ACCESS SADDLE | | | 2 | 2 | 2 | 2 |
| A02 | 302K994670 | PARTS CONT DRIVE UNIT K SP | | | 1 | 1 | 1 | 1 |
| 22 | •302K931710 | HOLDER CONT DRIVE K | | | 1 | 1 | 1 | 1 |
| 23 | •302K994D00 | PARTS DC MOTOR ASSY B SP | | | 1 | 1 | 1 | 1 |
| 24 | •302LC31511 | SEAL MOTOR DC | | | 1 | 1 | 1 | 1 |
| 25 | •302K902610 | PLATE DC MOTOR 10 | | | 1 | 1 | 1 | 1 |
| 26 | •302H702590 | BUSH SCREW | | | 2 | 2 | 2 | 2 |
| 27 | •302K931760 | WORM WHEEL Z56L-Z20S | | | 1 | 1 | 1 | 1 |
| 28 | •302K931780 | SHAFT CONT DRIVE | | | 1 | 1 | 1 | 1 |
| 29 | •5MVX111DN003 | RING STOPPER /A-49 FEED A4 | | | 1 | 1 | 1 | 1 |
| 30 | •302K931830 | GEAR Z34S JOINT | | | 1 | 1 | 1 | 1 |
| 31 | •302K931721 | PLATE CONT DRIVE | | | 1 | 1 | 1 | 1 |
| 32 | •2BG22990 | CUT WASHER 4 | | | 1 | 1 | 1 | 1 |
| 33 | •302H731650 | SPRING PADDLE CONT D | | | 1 | 1 | 1 | 1 |
| 34 | •302H731640 | COUPLING CONT D | | | 1 | 1 | 1 | 1 |
| A03 | 302K994680 | PARTS CONT DRIVE UNIT COL SP | | | 3 | 3 | 3 | 3 |
| 35 | •302K931740 | HOLDER CONT DRIVE C | | | 3 | 3 | 3 | 3 |
| 36 | •302LC94190 | PARTS CONV RELEASE MOTOR ASSY SP | | | 3 | 3 | 3 | 3 |
| 37 | •302LC31511 | SEAL MOTOR DC | | | 3 | 3 | 3 | 3 |
| 38 | •302K908660 | PLATE DC MOTOR 6 | | | 3 | 3 | 3 | 3 |
| 39 | •302H702590 | BUSH SCREW | | | 6 | 6 | 6 | 6 |
| 40 | •302K931810 | WORM WHEEL Z40L-Z20S | | | 3 | 3 | 3 | 3 |
| 41 | •302K931780 | SHAFT CONT DRIVE | | | 3 | 3 | 3 | 3 |
| 42 | •5MVX111DN003 | RING STOPPER /A-49 FEED A4 | | | 3 | 3 | 3 | 3 |
| 43 | •302K931830 | GEAR Z34S JOINT | | | 3 | 3 | 3 | 3 |
| 44 | •302K931721 | PLATE CONT DRIVE | | | 3 | 3 | 3 | 3 |
| 45 | •2BG22990 | CUT WASHER 4 | | | 3 | 3 | 3 | 3 |
| 46 | •302H731650 | SPRING PADDLE CONT D | | | 3 | 3 | 3 | 3 |
| 47 | •302H731640 | COUPLING CONT D | | | 3 | 3 | 3 | 3 |

FIG. 27 Cooling Section

2XP/2XN

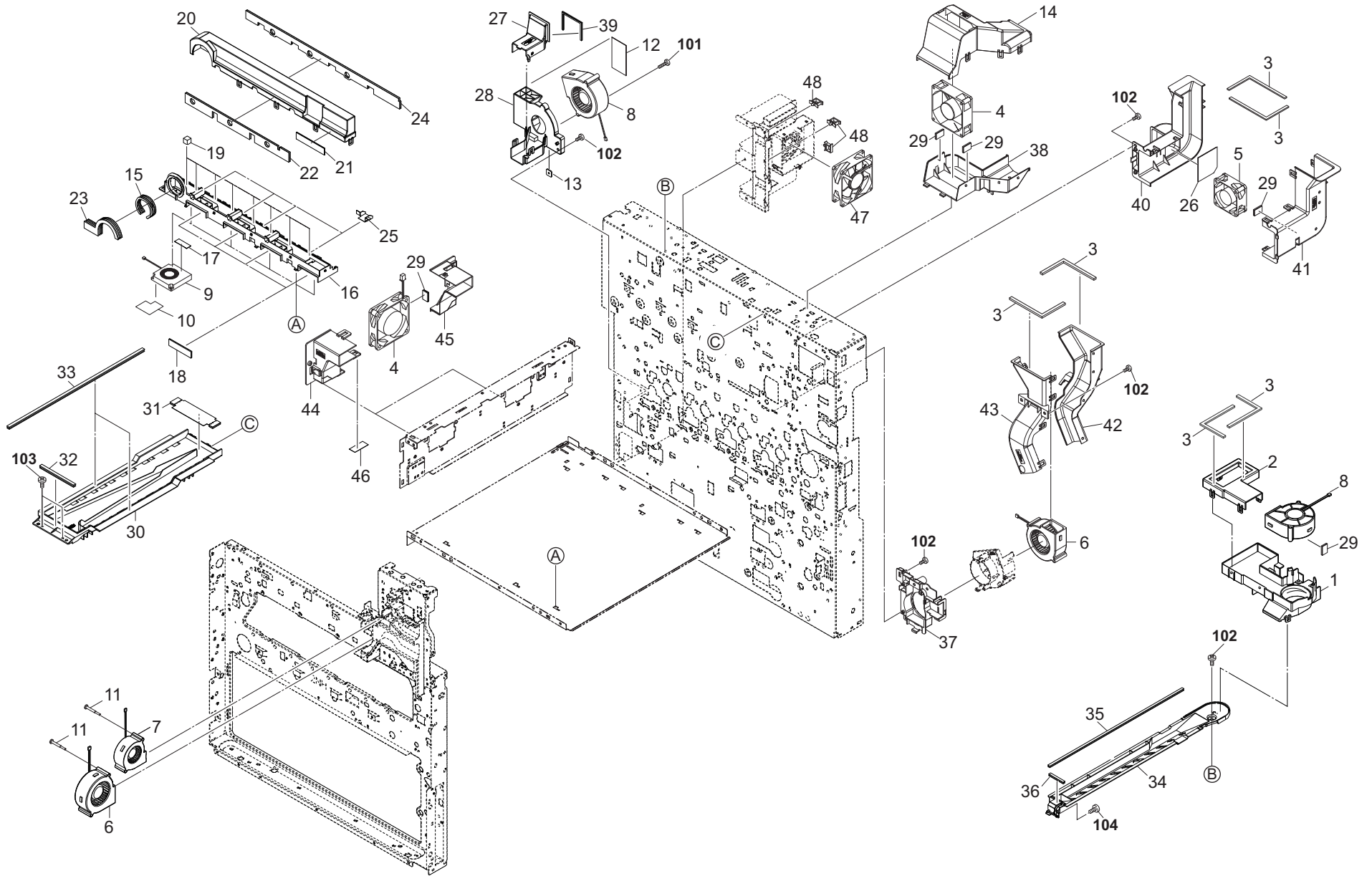


FIG. 27 Cooling Section

2XP/2XN

| Ref No. | Part.No. | Description | Notes | Revision | Quantity | | | |
|---------|-----------------|-----------------------------|-------|----------|----------|-----|-----|-----|
| | | | | | 100 | 120 | 230 | 240 |
| 1 | 302NH33010 | DUCT ISU REAR LEFT LOW | | | 1 | 1 | 1 | 1 |
| 2 | 302NH33020 | DUCT ISU REAR LEFT UP | | | 1 | 1 | 1 | 1 |
| 3 | 302K933580 | SEAL DUCT EXIT | | | 6 | 6 | 6 | 6 |
| 4 | 302HN44010 | FAN MOTOR | | | 3 | 3 | 3 | 3 |
| 5 | 302GR44080 | FAN LSU 60-25 | | | 1 | 1 | 1 | 1 |
| 6 | 302K994350 | PARTS FAN COOLING DLP 70 SP | | | 2 | 2 | 2 | 2 |
| 7 | 302LC94380 | PARTS FAN COOLING LSU 60 SP | | | 1 | 1 | 1 | 1 |
| 8 | 302FZ94380 | PARTS,FAN COOLING DLP 70 SP | | | 2 | 2 | 2 | 2 |
| 9 | 302K994A50 | PARTS FAN COOLING LSU 50 SP | | | 4 | 4 | 4 | 4 |
| 10 | 302K933370 | SHEET DUCT LSU | | | 4 | 4 | 4 | 4 |
| 11 | 302H733430 | SCREW FAN | | | 2 | 2 | 2 | 2 |
| 12 | 302K933320 | SHEET DUCT DLP C | | | 1 | 1 | 1 | 1 |
| 13 | 3CY06030 | RETAINER M4 | | | 1 | 1 | 1 | 1 |
| 14 | 302LF33520 | DUCT ISU RIGHT UPPER | | | 1 | 1 | 1 | 1 |
| 15 | 302K933551 | SEAL LSU DUCT | | | 1 | 1 | 1 | 1 |
| 16 | 302K933610 | DUCT LSU FRONT A | | | 1 | 1 | 1 | 1 |
| 17 | 302K933850 | FILM LSU FRONT A | | | 4 | 4 | 4 | 4 |
| 18 | 302K933350 | SPONGE DUCT LSU B | | | 4 | 4 | 4 | 4 |
| 19 | 302K319080 | SPONGE WIRE | | | 8 | 8 | 8 | 8 |
| 20 | 302K933620 | DUCT LSU FRONT B | | | 1 | 1 | 1 | 1 |
| 21 | 302K914A50 | SEAL CASE DLP | | | 1 | 1 | 1 | 1 |
| 22 | 302K933880 | SEAL DUCT LSU A | | | 1 | 1 | 1 | 1 |
| 23 | 302K933900 | SEAL DUCT LSU C | | | 1 | 1 | 1 | 1 |
| 24 | 302K933890 | SEAL DUCT LSU B | | | 1 | 1 | 1 | 1 |
| 25 | 302K933860 | FILM LSU FRONT B | | | 4 | 4 | 4 | 4 |
| 26 | 302LC33510 | FILM FUSER DUCT | | | 1 | 1 | 1 | 1 |
| 27 | 302K933660 | DUCT DLP B | | | 1 | 1 | 1 | 1 |
| 28 | 302K933670 | DUCT DLP C | | | 1 | 1 | 1 | 1 |
| 29 | 302LC31511 | SEAL MOTOR DC | | | 6 | 6 | 6 | 6 |
| 30 | 302LF33500 | DUCT ISU LOWER RIGHT | | | 1 | 1 | 1 | 1 |
| 31 | 302LF33571 | FILM ISU DUCT | | | 1 | 1 | 1 | 1 |
| 32 | 302LF33560 | SPONGE ISU LOWER D | | | 1 | 1 | 1 | 1 |
| 33 | 302LF33550 | SPONGE ISU LOWER C | | | 2 | 2 | 2 | 2 |
| 34 | 302LF33410 | DUCT ISU LOWER LEFT | | | 1 | 1 | 1 | 1 |
| 35 | 302LF33440 | SPONGE ISU LOWER A | | | 1 | 1 | 1 | 1 |
| 36 | 302LF33450 | SPONGE ISU LOWER B | | | 1 | 1 | 1 | 1 |
| 37 | 302K933190 | DUCT FUSER REAR | | | 1 | 1 | 1 | 1 |
| 38 | 302LF33510 | DUCT ISU RIGHT LOWER | | | 1 | 1 | 1 | 1 |
| 39 | 302K933380 | SPONGE DUCT DLP B | | | 1 | 1 | 1 | 1 |
| 40 | 302K933151 | DUCT EXIT RIGHT | | | 1 | 1 | 1 | 1 |
| 41 | 302K933161 | DUCT EXIT LEFT | | | 1 | 1 | 1 | 1 |
| 42 | 302K933560 | DUCT FUSER RIGHT | | | 1 | 1 | 1 | 1 |
| 43 | 302K933573 | DUCT FUSER LEFT | | | 1 | 1 | 1 | 1 |
| 44 | 302K933591 | DUCT FAN BELT A | | | 2 | 2 | 2 | 2 |
| 45 | 302K933601 | DUCT FAN BELT B | | | 2 | 2 | 2 | 2 |
| 46 | 302HN02930 | SHEET HOUSING LEFT | | | 2 | 2 | 2 | 2 |
| 47 | 302K094300 | PARTS FAN MOTOR SP | | | 1 | 1 | 1 | 1 |
| 48 | 7YZM610003++H01 | ACCESS SADDLE | | | 3 | 3 | 3 | 3 |
| 101 | 7BB700435H | +BIND T.T S SCREW 4X35 SR | | | | | | |
| 102 | 7BB700408H | +BIND T.T S SCREW 4X8 SR | | | | | | |
| 103 | 7BB700308H | +BIND T.T S SCREW 3X8 SR | | | | | | |
| 104 | 7BB200308H | +BIND T.T P SCREW 3X8 | | | | | | |

FIG. 28 Exit Section

2XP/2XN

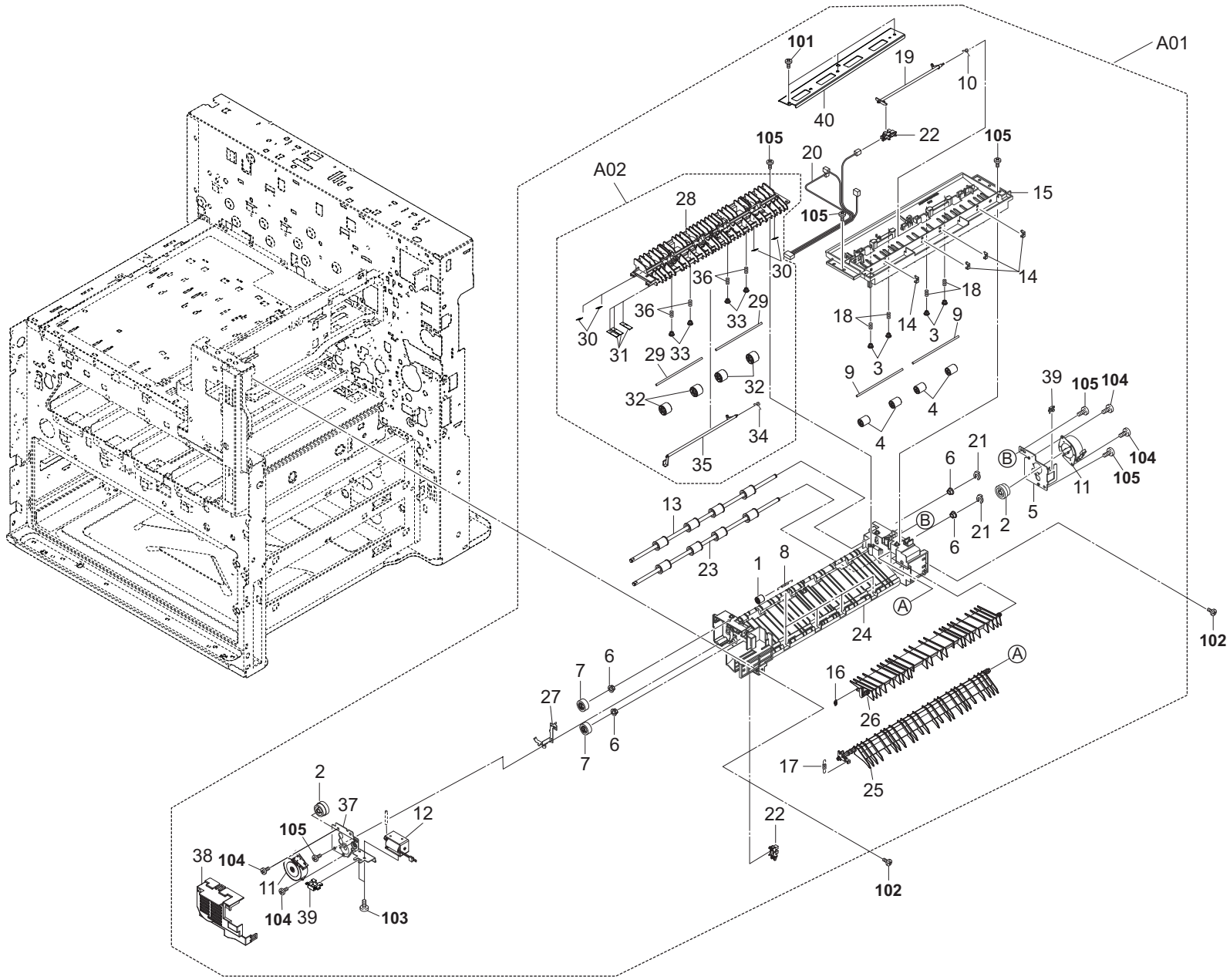


FIG. 28 Exit Section

| Ref No. | Part.No. | Description | Notes | Revision | Quantity | | | |
|---------|------------------|-------------------------------|-------|----------|----------|-----|-----|-----|
| | | | | | 100 | 120 | 230 | 240 |
| A01 | 302NH94121 | PARTS EXIT UNIT A SP | | | 1 | 1 | 1 | 1 |
| 1 | •2FM02210 | PULLEY MID /B-11 FRAME A4 | | | 4 | 4 | 4 | 4 |
| 2 | •302K928110 | GEAR Z40R-Z28S | | | 2 | 2 | 2 | 2 |
| 3 | •2FM04150 | CAP SPRING /B-11 ENCLOSURE A4 | | | 4 | 4 | 4 | 4 |
| 4 | •302F929260 | PULLEY DU LOW | | | 4 | 4 | 4 | 4 |
| 5 | •302NH28020 | PLATE EXIT LOWER | | | 1 | 1 | 1 | 1 |
| 6 | •302K324450 | BUSH 6 | | | 4 | 4 | 4 | 4 |
| 7 | •302H728080 | GEAR Z23S EXIT | | | 2 | 2 | 2 | 2 |
| 8 | •302HN28120 | SPRING PULLEY A | | | 4 | 4 | 4 | 4 |
| 9 | •302K324460 | SHAFT FEED | | | 2 | 2 | 2 | 2 |
| 10 | •302K928190 | SPRING-TORSION SWITCHBACK | | | 1 | 1 | 1 | 1 |
| 11 | •302K994300 | PARTS MOTOR PM FEED SP | | | 2 | 2 | 2 | 2 |
| 12 | •302K994370 | PARTS SOLENOID FEED SHIFT SP | | | 1 | 1 | 1 | 1 |
| 13 | •302NH94131 | PARTS ROLLER EXIT SP | | | 1 | 1 | 1 | 1 |
| 14 | •302K931080 | WIRE STOPPER | | | 4 | 4 | 4 | 4 |
| 15 | •302K928022 | FRAME EXIT UPPER | | | 1 | 1 | 1 | 1 |
| 16 | •302K928070 | SPRING-EXTENSION FEED SHIFT | | | 1 | 1 | 1 | 1 |
| 17 | •302LC28110 | SPRING-EXTENSION | | | 1 | 1 | 1 | 1 |
| 18 | •302F928170 | SPRING PULLEY | | | 4 | 4 | 4 | 4 |
| 19 | •302K928091 | ACTUATOR SWITCHBACK | | | 1 | 1 | 1 | 1 |
| 20 | •302NH46330 | CONN.CORD ASSY EXIT | | | 1 | 1 | 1 | 1 |
| 21 | •5MVX111DN003 | RING STOPPER /A-49 FEED A4 | | | 2 | 2 | 2 | 2 |
| 22 | •7NXGP1A173LCH01 | SENSOR OPT. | | | 2 | 2 | 2 | 2 |
| 23 | •302K994A40 | PARTS ROLLER EXIT B SP | | | 1 | 1 | 1 | 1 |
| 24 | •302NH28010 | FRAME EXIT LOWER | | | 1 | 1 | 1 | 1 |
| 25 | •302K928213 | GUIDE CHANGE LOWER | | | 1 | 1 | 1 | 1 |
| 26 | •302K928030 | GUIDE SHIFT UPPER | | | 1 | 1 | 1 | 1 |
| 27 | •302NH28150 | PLATE EARTH ROLLER F | | | 1 | 1 | 1 | 1 |
| A02 | •302K994B80 | PARTS GUIDE EXIT MIDDLE SP | | | 1 | 1 | 1 | 1 |
| 28 | ••302K928051 | GUIDE EXIT MIDDLE | | | 1 | 1 | 1 | 1 |
| 29 | ••302K324460 | SHAFT FEED | | | 2 | 2 | 2 | 2 |
| 30 | ••302K928290 | SHEET EXIT MIDDLE A | | | 4 | 4 | 4 | 4 |
| 31 | ••302K928300 | SHEET EXIT MIDDLE B | | | 3 | 3 | 3 | 3 |
| 32 | ••302JF22010 | PULLEY MIDDLE | | | 4 | 4 | 4 | 4 |
| 33 | ••2FM04150 | CAP SPRING /B-11 ENCLOSURE A4 | | | 4 | 4 | 4 | 4 |
| 34 | ••302K928190 | SPRING-TORSION SWITCHBACK | | | 1 | 1 | 1 | 1 |
| 35 | ••302K928121 | ACTUATOR EXIT SENSOR | | | 1 | 1 | 1 | 1 |
| 36 | ••302F928170 | SPRING PULLEY | | | 4 | 4 | 4 | 4 |
| 37 | •302NH28130 | PLATE DRIVE FD | | | 1 | 1 | 1 | 1 |
| 38 | •302NH28140 | COVER EXIT FRONT | | | 1 | 1 | 1 | 1 |
| 39 | •7YZM210006++H01 | ACCESS.EDGING | | | 2 | 2 | 2 | 2 |
| 40 | •302K928230 | STAY EXIT HIGH | | | 1 | 1 | 1 | 1 |
| 101 | 7BB200308H | +BIND T.T P SCREW 3X8 | | | | | | |
| 102 | 7BB700408H | +BIND T.T S SCREW 4X8 SR | | | | | | |
| 103 | 7BB000303H | +BIND M SCREW 3X3 | | | | | | |
| 104 | 7BB700308H | +BIND T.T S SCREW 3X8 SR | | | | | | |
| 105 | 7BB200410H | +BIND T.T P SCREW 4X10 | | | | | | |

FIG. 29 Job Separator Section

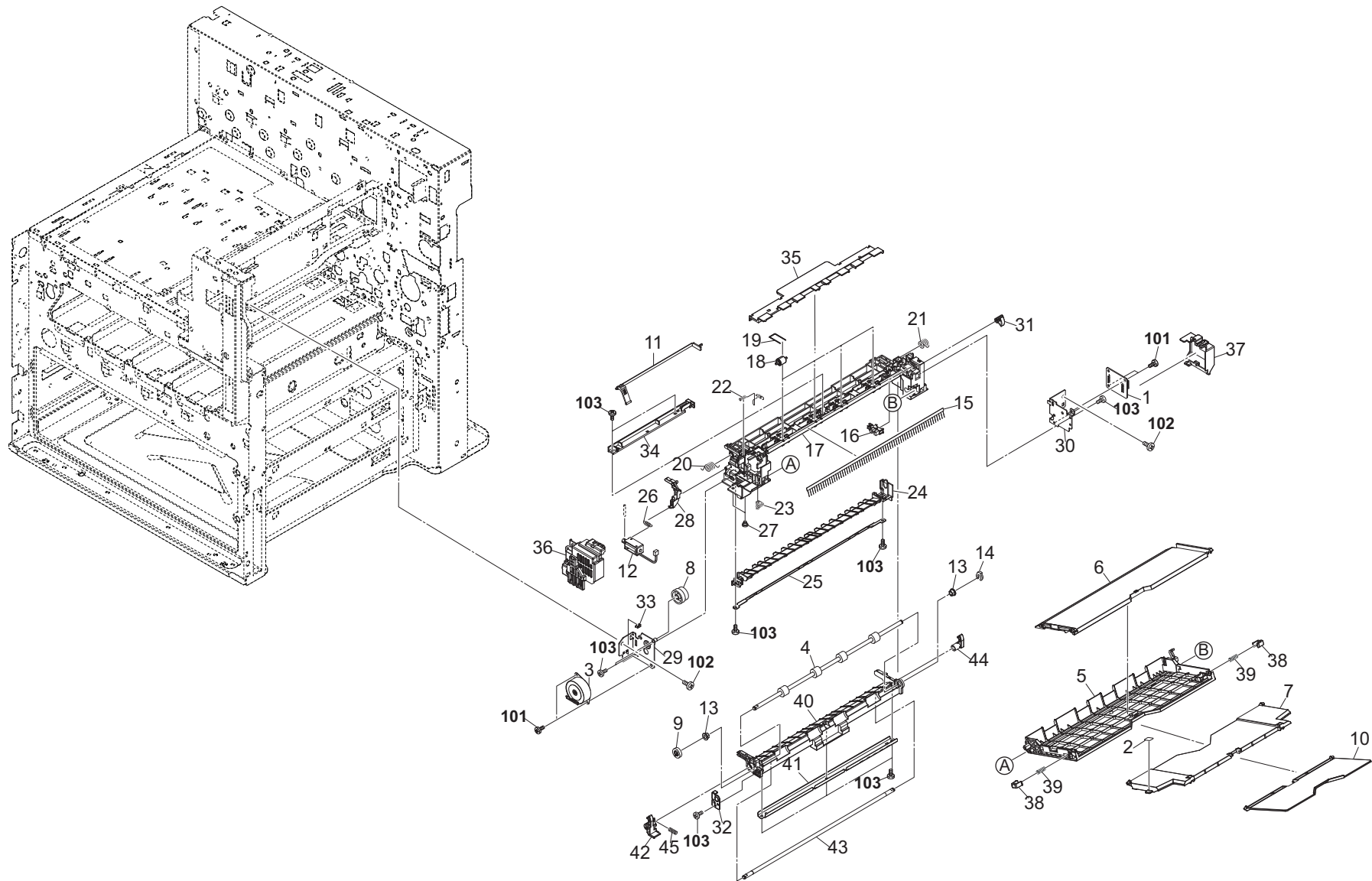


FIG. 29 Job Separator Section

2XP/2XN

| Ref No. | Part.No. | Description | Notes | Revision | Quantity | | | |
|---------|-----------------|----------------------------|-------|----------|----------|-----|-----|-----|
| | | | | | 100 | 120 | 230 | 240 |
| 1 | 302K994600 | PARTS PWB JOB SEPA ASSY SP | | | 1 | 1 | 1 | 1 |
| 2 | 302K934190 | LABEL JOB SEPARATOR | | | 1 | 1 | 1 | 1 |
| 3 | 302K994300 | PARTS MOTOR PM FEED SP | | | 1 | 1 | 1 | 1 |
| 4 | 303NM94010 | PARTS ROLLER EXIT RIGHT SP | | | 1 | 1 | 1 | 1 |
| 5 | 302NH16010 | TRAY EXIT A | | | 1 | 1 | 1 | 1 |
| 6 | 302NH16020 | TRAY EXIT B | | | 1 | 1 | 1 | 1 |
| 7 | 302NH16030 | TRAY EXIT C | | | 1 | 1 | 1 | 1 |
| 8 | 303NM16130 | GEAR Z46R Z21S IDLE | | | 1 | 1 | 1 | 1 |
| 9 | 303NM16140 | GEAR Z15S | | | 1 | 1 | 1 | 1 |
| 10 | 302NH16040 | TRAY EXIT D | | | 1 | 1 | 1 | 1 |
| 11 | 303NM16280 | ACTUATOR EXIT | | | 1 | 1 | 1 | 1 |
| 12 | 303NM94020 | PARTS SOLENOID JS SP | | | 1 | 1 | 1 | 1 |
| 13 | 302K324450 | BUSH 6 | | | 2 | 2 | 2 | 2 |
| 14 | 5MVX111DN003 | RING STOPPER /A-49 FEED A4 | | | 1 | 1 | 1 | 1 |
| 15 | 63212210 | STATIC ELIMINATOR,EJECT | | | 1 | 1 | 1 | 1 |
| 16 | 7NXGP1A173LCH01 | SENSOR OPT. | | | 1 | 1 | 1 | 1 |
| 17 | 303NM16010 | FRAME EXIT | | | 1 | 1 | 1 | 1 |
| 18 | 302FZ07020 | PULLEY MPT BYPASS | | | 4 | 4 | 4 | 4 |
| 19 | 303MA16290 | SPRING PULLEY JS | | | 4 | 4 | 4 | 4 |
| 20 | 303NM16170 | SPRING-TORSION GUIDE F | | | 1 | 1 | 1 | 1 |
| 21 | 303NM16180 | SPRING-TORSION GUIDE R | | | 1 | 1 | 1 | 1 |
| 22 | 303NM16190 | SPRING EARTH A | | | 1 | 1 | 1 | 1 |
| 23 | 303NM16240 | SPRING EARTH B | | | 1 | 1 | 1 | 1 |
| 24 | 303NM16030 | GUIDE EXIT B | | | 1 | 1 | 1 | 1 |
| 25 | 303NM16250 | PLATE GUIDE LOWER | | | 1 | 1 | 1 | 1 |
| 26 | 303NM16210 | SPRING-EXTENSION | | | 1 | 1 | 1 | 1 |
| 27 | 302F325010 | STUD SCREW M3 | | | 2 | 2 | 2 | 2 |
| 28 | 303NM16200 | ARM FEED SHIFT | | | 1 | 1 | 1 | 1 |
| 29 | 303NM16041 | PLATE EXIT F | | | 1 | 1 | 1 | 1 |
| 30 | 303NM16050 | PLATE EXIT R | | | 1 | 1 | 1 | 1 |
| 31 | 303NM16300 | ARM SENSOR | | | 1 | 1 | 1 | 1 |
| 32 | 303NM16060 | PLATE EXIT LOWER | | | 1 | 1 | 1 | 1 |
| 33 | 302K931080 | WIRE STOPPER | | | 1 | 1 | 1 | 1 |
| 34 | 303NM16290 | HOLDER SENSOR | | | 1 | 1 | 1 | 1 |
| 35 | 303NM16271 | COVER UPPER | | | 1 | 1 | 1 | 1 |
| 36 | 303NM16220 | COVER EXIT F | | | 1 | 1 | 1 | 1 |
| 37 | 303NM16150 | COVER PWB EXIT | | | 1 | 1 | 1 | 1 |
| 38 | 302R408220 | STOPPER BYPASS TABLE | | | 2 | 2 | 2 | 2 |
| 39 | 303JY24640 | SPRING RELEASE COVER | | | 2 | 2 | 2 | 2 |
| 40 | 303NM16020 | GUIDE EXIT A | | | 1 | 1 | 1 | 1 |
| 41 | 303NM16260 | STAY GUIDE LOWER | | | 1 | 1 | 1 | 1 |
| 42 | 303NM16080 | LEVER EXIT RIGHT | | | 1 | 1 | 1 | 1 |
| 43 | 303NM16070 | SHAFT LEVER EXIT | | | 1 | 1 | 1 | 1 |
| 44 | 303MA16570 | HOOK LEVER JAM JS F | | | 1 | 1 | 1 | 1 |
| 45 | 302FZ28270 | SPRING EXIT PUSH | | | 1 | 1 | 1 | 1 |
| 101 | 7BB700308H | +BIND T.T S SCREW 3X8 SR | | | | | | |
| 102 | E0025140 | SPRING PIN 2.5X14 | | | | | | |
| 103 | 7BB200308H | +BIND T.T P SCREW 3X8 | | | | | | |
| 104 | 7BB700408H | +BIND T.T S SCREW 4X8 SR | | | | | | |

FIG. 30 Bridge Section 1

2XP/2XN

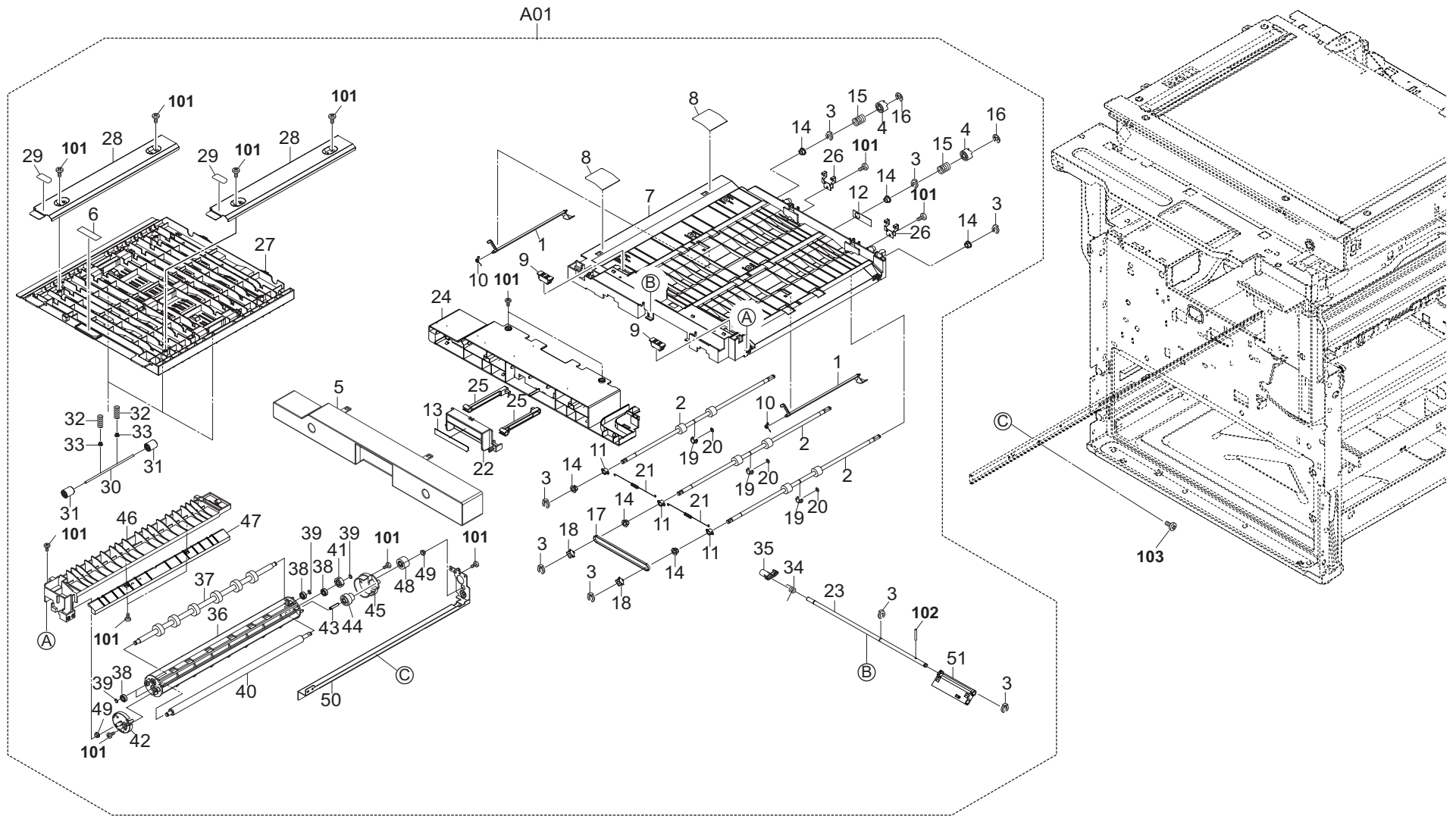


FIG. 30 Bridge Section 1

2XP/2XN

| Ref No. | Part.No. | Description | Notes | Revision | Quantity | | | |
|---------|------------------|---------------------------------|-------|----------|----------|-----|-----|-----|
| | | | | | 100 | 120 | 230 | 240 |
| A01 | 302NH94562 | PARTS GUIDE RELAY UPPER UNIT SP | | | 1 | 1 | 1 | 1 |
| 1 | •302LF28060 | ACTUATOR RELAY | | | 2 | 2 | 2 | 2 |
| 2 | •302LF94431 | PARTS ROLLER RELAY MIDDLE B SP | | | 3 | 3 | 3 | 3 |
| 3 | •5MVX111DN003 | RING STOPPER /A-49 FEED A4 | | | 8 | 8 | 8 | 8 |
| 4 | •302LF28121 | JOINT DRIVE | | | 2 | 2 | 2 | 2 |
| 5 | •302NH28040 | COVER RELAY | | | 1 | 1 | 1 | 1 |
| 6 | •302K934180 | LABEL RELAY A4 | | | 1 | 1 | 1 | 1 |
| 7 | •302LF28024 | GUIDE RELAY LOWER | | | 1 | 1 | 1 | 1 |
| 8 | •302LF28820 | SHEET RELAY LOWER | | | 2 | 2 | 2 | 2 |
| 9 | •2FB17200 | MAGNET UPPER REG GUIDE | | | 2 | 2 | 2 | 2 |
| 10 | •302K928190 | SPRING-TORSION SWITCHBACK | | | 2 | 2 | 2 | 2 |
| 11 | •302FZ07310 | BUSH CONTACT MPT B | | | 3 | 3 | 3 | 3 |
| 12 | •302LF28161 | PLATE EARTH ROLLER | | | 1 | 1 | 1 | 1 |
| 13 | •302K934170 | LABEL RELAY A3 | | | 1 | 1 | 1 | 1 |
| 14 | •7BE006103R31H01 | BEARING MF106ZZ | | | 6 | 6 | 6 | 6 |
| 15 | •302LF28441 | SPRING-COMPRESSION JOINT | | | 2 | 2 | 2 | 2 |
| 16 | •302FB09830 | CUT WASHER 4 | | | 2 | 2 | 2 | 2 |
| 17 | •302LF28130 | BELT S2M-Z133 | | | 1 | 1 | 1 | 1 |
| 18 | •302LF28342 | PULLEY P18-S2M | | | 2 | 2 | 2 | 2 |
| 19 | •302FZ07540 | HOLDER SHAFT OUT | | | 3 | 3 | 3 | 3 |
| 20 | •7BC46042A050H01 | CUT WASHER 4.2X10.0X0.5T | | | 3 | 3 | 3 | 3 |
| 21 | •302LF28500 | SPRING-EXTENSION EARTH | | | 2 | 2 | 2 | 2 |
| 22 | •302LF28510 | HANDLE FRONT | | | 1 | 1 | 1 | 1 |
| 23 | •302LF28181 | SHAFT HANDLE | | | 1 | 1 | 1 | 1 |
| 24 | •302LF28201 | JOINT RELAY | | | 1 | 1 | 1 | 1 |
| 25 | •302LF28190 | ARM LEVER RELAY | | | 2 | 2 | 2 | 2 |
| 26 | •302LF28780 | PLATE HINGE STOPPER | | | 2 | 2 | 2 | 2 |
| 27 | •302LF28011 | GUIDE RELAY UPPER | | | 1 | 1 | 1 | 1 |
| 28 | •302LF28050 | PLATE REINFORCEMENT | | | 2 | 2 | 2 | 2 |
| 29 | •302K934150 | LABEL HIGH TEMP | | | 2 | 2 | 2 | 2 |
| 30 | •302K324460 | SHAFT FEED | | | 3 | 3 | 3 | 3 |
| 31 | •302F929260 | PULLEY DU LOW | | | 6 | 6 | 6 | 6 |
| 32 | •302F928170 | SPRING PULLEY | | | 6 | 6 | 6 | 6 |
| 33 | •2FM04150 | CAP SPRING /B-11 ENCLOSURE A4 | | | 6 | 6 | 6 | 6 |
| 34 | •302LF28580 | SPRING-TORSION HOOK | | | 1 | 1 | 1 | 1 |
| 35 | •303MA16580 | HOOK LEVER JAM JS R | | | 1 | 1 | 1 | 1 |
| 36 | •302LF28380 | GUIDE PRESS ROTARY | | | 1 | 1 | 1 | 1 |
| 37 | •302LF94280 | PARTS ROLLER PRESS SP | | | 1 | 1 | 1 | 1 |
| 38 | •7BE006124431H01 | BEARING MR126ZZ | | | 4 | 4 | 4 | 4 |
| 39 | •302K924820 | CUT-WASHER 4 | | | 4 | 4 | 4 | 4 |
| 40 | •302LF94270 | PARTS ROLLER PRESS DRIVE SP | | | 1 | 1 | 1 | 1 |
| 41 | •302LF28650 | GEAR Z30L DECURLER | | | 1 | 1 | 1 | 1 |
| 42 | •302LF28370 | CAP PRESS UNIT | | | 1 | 1 | 1 | 1 |
| 43 | •303NJ31120 | PIN FEED DRIVE | | | 1 | 1 | 1 | 1 |
| 44 | •302LF28330 | GEAR Z14S-Z35R | | | 1 | 1 | 1 | 1 |
| 45 | •302LF28360 | GEAR PRESS DRIVE | | | 1 | 1 | 1 | 1 |
| 46 | •302LF28071 | GUIDE RIGHT UPPER | | | 1 | 1 | 1 | 1 |
| 47 | •302LF28082 | GUIDE RIGHT LOWER | | | 1 | 1 | 1 | 1 |
| 48 | •302LF28280 | GEAR Z21S | | | 1 | 1 | 1 | 1 |
| 49 | •302H702590 | BUSH SCREW | | | 2 | 2 | 2 | 2 |

FIG. 30 Bridge Section 1

2XP/2XN

| Ref No. | Part.No. | Description | Notes | Revision | Quantity | | | |
|---------|--------------|---------------------------|-------|----------|----------|-----|-----|-----|
| | | | | | 100 | 120 | 230 | 240 |
| 50 | •302LF28171 | PLATE SUPPORT SLIDER | | | 1 | 1 | 1 | 1 |
| 51 | •302LF28210 | JOINT HANDLE | | | 1 | 1 | 1 | 1 |
| 101 | 7BB200308H | +BIND T.T P SCREW 3X8 | | | | | | |
| 102 | 5MBP2010WXSP | SPRING PIN /M2 X 10 S-BLK | | | | | | |
| 103 | 7BB700306H | +BIND T.T S SCREW 3X6 SR | | | | | | |
| | | | | | | | | |
| | | | | | | | | |
| | | | | | | | | |
| | | | | | | | | |
| | | | | | | | | |
| | | | | | | | | |
| | | | | | | | | |
| | | | | | | | | |
| | | | | | | | | |
| | | | | | | | | |
| | | | | | | | | |
| | | | | | | | | |
| | | | | | | | | |
| | | | | | | | | |
| | | | | | | | | |
| | | | | | | | | |
| | | | | | | | | |
| | | | | | | | | |
| | | | | | | | | |
| | | | | | | | | |
| | | | | | | | | |
| | | | | | | | | |
| | | | | | | | | |
| | | | | | | | | |
| | | | | | | | | |
| | | | | | | | | |
| | | | | | | | | |
| | | | | | | | | |
| | | | | | | | | |
| | | | | | | | | |
| | | | | | | | | |
| | | | | | | | | |
| | | | | | | | | |
| | | | | | | | | |
| | | | | | | | | |
| | | | | | | | | |
| | | | | | | | | |
| | | | | | | | | |
| | | | | | | | | |
| | | | | | | | | |
| | | | | | | | | |
| | | | | | | | | |
| | | | | | | | | |
| | | | | | | | | |

FIG. 31 Bridge Section 2

2XP/2XN

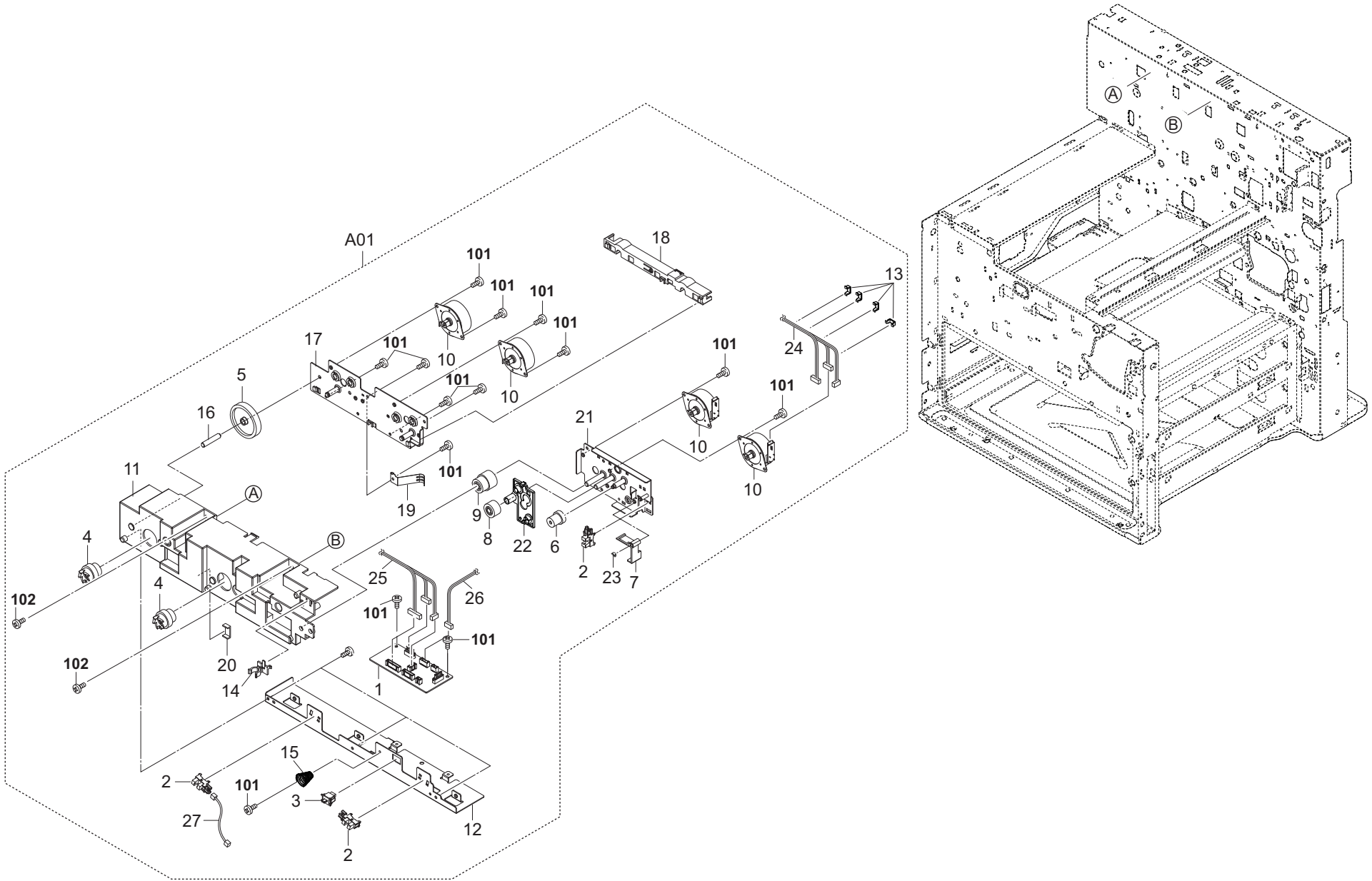


FIG. 31 Bridge Section 2

2XP/2XN

| Ref No. | Part.No. | Description | Notes | Revision | Quantity | | | |
|---------|------------------|---------------------------------|-------|----------|----------|-----|-----|-----|
| | | | | | 100 | 120 | 230 | 240 |
| A01 | 302NH94570 | PARTS RELAY DRIVE UNIT SP | | | 1 | 1 | 1 | 1 |
| 1 | •302K994830 | PARTS PWB BRIDGE ASSY SP | | | 1 | 1 | 1 | 1 |
| 2 | •7NXGP1A173LCH01 | SENSOR OPT. | | | 3 | 3 | 3 | 3 |
| 3 | •7SP01000006+H01 | SW.PUSH | | | 1 | 1 | 1 | 1 |
| 4 | •302LF28140 | GEAR Z31R-Z20R | | | 2 | 2 | 2 | 2 |
| 5 | •302LF28150 | GEAR Z42L | | | 1 | 1 | 1 | 1 |
| 6 | •302LF28300 | GEAR Z14S-Z30R | | | 1 | 1 | 1 | 1 |
| 7 | •302LF28472 | ACTUATOR PRESS | | | 1 | 1 | 1 | 1 |
| 8 | •302LF28280 | GEAR Z21S | | | 1 | 1 | 1 | 1 |
| 9 | •302LF28290 | GEAR Z21S-Z40R | | | 1 | 1 | 1 | 1 |
| 10 | •302K994300 | PARTS MOTOR PM FEED SP | | | 4 | 4 | 4 | 4 |
| 11 | •302LF28093 | FRAME DRIVE | | | 1 | 1 | 1 | 1 |
| 12 | •302LF28101 | PLATE DRIVE A | | | 1 | 1 | 1 | 1 |
| 13 | •302K931080 | WIRE STOPPER | | | 4 | 4 | 4 | 4 |
| 14 | •302LF28590 | STOPPER RELAY | | | 1 | 1 | 1 | 1 |
| 15 | •302LF28610 | SPRING COMPRESSION RELAY | | | 1 | 1 | 1 | 1 |
| 16 | •303NJ31120 | PIN FEED DRIVE | | | 1 | 1 | 1 | 1 |
| 17 | •302LF28113 | PLATE MOTOR DRIVE | | | 1 | 1 | 1 | 1 |
| 18 | •302LF28560 | GUIDE HARNESS | | | 1 | 1 | 1 | 1 |
| 19 | •302FB09320 | GROUND PLATE DECK UNIT | | | 1 | 1 | 1 | 1 |
| 20 | •303LL02330 | HOLDER WIRE D | | | 1 | 1 | 1 | 1 |
| 21 | •302LF28461 | PLATE MOTOR PRESS DRIVE | | | 1 | 1 | 1 | 1 |
| 22 | •302LF28600 | GUIDE DECURLER PIN | | | 1 | 1 | 1 | 1 |
| 23 | •5MVX111DN007 | STOPPER 3 /2BT1107 A4 | | | 1 | 1 | 1 | 1 |
| 24 | •302LF46B30 | WIRE GUIDE MOTOR | | | 1 | 1 | 1 | 1 |
| 25 | •302NH46A70 | CONN.CORD ASSY BRIDGE INTERFACE | | | 1 | 1 | 1 | 1 |
| 26 | •302LF46B40 | WIRE OPEN SWITCH | | | 1 | 1 | 1 | 1 |
| 27 | •302LF46B50 | WIRE FEED SENSOR | | | 1 | 1 | 1 | 1 |
| 101 | 7BB700308H | +BIND T.T S SCREW 3X8 SR | | | | | | |
| 102 | 7BB700408H | +BIND T.T S SCREW 4X8 SR | | | | | | |

FIG. 32 Bridge Section 3

2XP/2XN

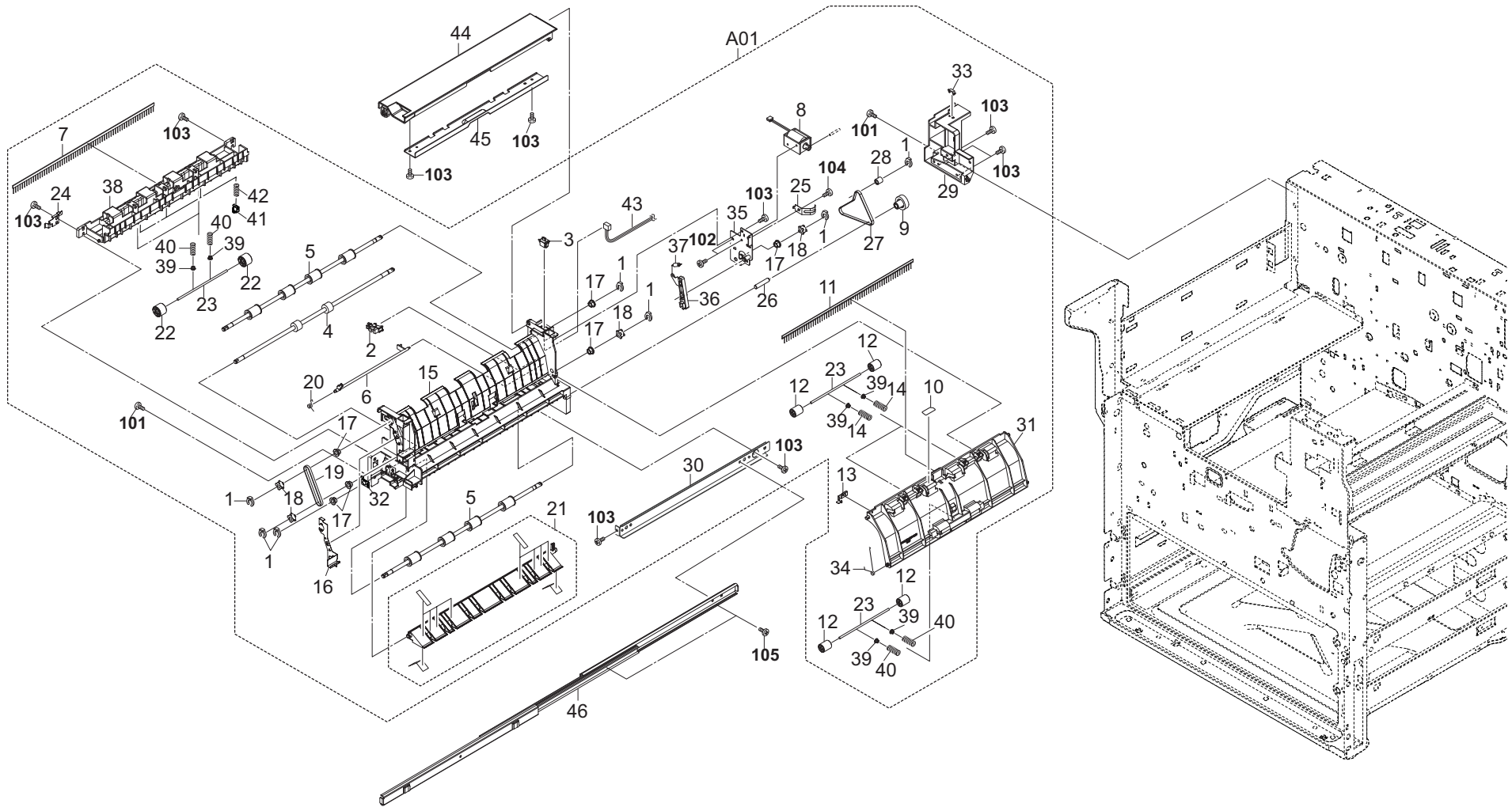


FIG. 32 Bridge Section 3

2XP/2XN

| Ref No. | Part.No. | Description | Notes | Revision | Quantity | | | |
|---------|------------------|------------------------------------|-------|----------|----------|-----|-----|-----|
| | | | | | 100 | 120 | 230 | 240 |
| A01 | 302LF94386 | PARTS RELAY EXIT UNIT SP | | | 1 | 1 | 1 | 1 |
| 1 | •5MVX111DN003 | RING STOPPER /A-49 FEED A4 | | | 7 | 7 | 7 | 7 |
| 2 | •7NXGP1A173LCH01 | SENSOR OPT. | | | 1 | 1 | 1 | 1 |
| 3 | •7SP01000006+H01 | SW.PUSH | | | 1 | 1 | 1 | 1 |
| 4 | •302LF94031 | PARTS ROLLER RELAY EXIT MIDDLE SP | | | 1 | 1 | 1 | 1 |
| 5 | •302LF94441 | PARTS ROLLER RELAY EXIT LOWER B SP | | | 2 | 2 | 2 | 2 |
| 6 | •302LF28350 | ACTUATOR RELAY EXIT SW | | | 1 | 1 | 1 | 1 |
| 7 | •63212210 | STATIC ELIMINATOR,EJECT | | | 1 | 1 | 1 | 1 |
| 8 | •302K994370 | PARTS SOLENOID FEED SHIFT SP | | | 1 | 1 | 1 | 1 |
| 9 | •302LF28420 | GEAR Z20R-P18 | | | 1 | 1 | 1 | 1 |
| 10 | •302K934160 | LABEL EXIT A2 | | | 1 | 1 | 1 | 1 |
| 11 | •302LF28640 | STATIC-ELIMINATOR EJECT | | | 1 | 1 | 1 | 1 |
| 12 | •302F929260 | PULLEY DU LOW | | | 6 | 6 | 6 | 6 |
| 13 | •302LF28630 | PLATE EARTH EXIT | | | 1 | 1 | 1 | 1 |
| 14 | •302LF28840 | SPRING-COMPRESSION RELAY EXIT | | | 4 | 4 | 4 | 4 |
| 15 | •302LF28223 | HOUSING RELAY EXIT | | | 1 | 1 | 1 | 1 |
| 16 | •302LF28541 | PLATE EARTH ROLLER A | | | 1 | 1 | 1 | 1 |
| 17 | •7BE006103R31H01 | BEARING MF106ZZ | | | 6 | 6 | 6 | 6 |
| 18 | •302LF28342 | PULLEY P18-S2M | | | 4 | 4 | 4 | 4 |
| 19 | •3HL07190 | BELT 150S2M,PAPER FEED | | | 1 | 1 | 1 | 1 |
| 20 | •302K928190 | SPRING-TORSION SWITCHBACK | | | 1 | 1 | 1 | 1 |
| 21 | •303NB94190 | PARTS GUIDE RELAY EXIT SHEFT SP | | | 1 | 1 | 1 | 1 |
| 22 | •302JF22010 | PULLEY MIDDLE | | | 4 | 4 | 4 | 4 |
| 23 | •302K324460 | SHAFT FEED | | | 5 | 5 | 5 | 5 |
| 24 | •302LF28531 | PLATE EARTH EXIT | | | 1 | 1 | 1 | 1 |
| 25 | •2C912690 | GROUND PLATE SCANNER B | | | 1 | 1 | 1 | 1 |
| 26 | •303NJ31120 | PIN FEED DRIVE | | | 1 | 1 | 1 | 1 |
| 27 | •302LF28450 | BELT S2M-Z112 | | | 1 | 1 | 1 | 1 |
| 28 | •302FZ07150 | PULLEY TENSION BELT | | | 1 | 1 | 1 | 1 |
| 29 | •302LF28250 | MOUNT RELAY EXIT | | | 1 | 1 | 1 | 1 |
| 30 | •302NH28300 | PLATE REINFORCEMENT | | | 1 | 1 | 1 | 1 |
| 31 | •302LF28241 | GUIDE RELAY EXIT RIGHT | | | 1 | 1 | 1 | 1 |
| 32 | •302LF28661 | PLATE EARTH RELAY B | | | 1 | 1 | 1 | 1 |
| 33 | •302K931080 | WIRE STOPPER | | | 1 | 1 | 1 | 1 |
| 34 | •302LF28810 | SPRING-TORSION RELAY EXIT | | | 1 | 1 | 1 | 1 |
| 35 | •302LF28401 | PLATE RELAY SOLENOID | | | 1 | 1 | 1 | 1 |
| 36 | •302LF28410 | LEVER RELAY SOLENOID | | | 1 | 1 | 1 | 1 |
| 37 | •3HL10090 | SPRING,LF SHIFT GUIDE | | | 1 | 1 | 1 | 1 |
| 38 | •302LF28230 | GUIDE RELAY EXIT UPPER | | | 1 | 1 | 1 | 1 |
| 39 | •2FM04150 | CAP SPRING /B-11 ENCLOSURE A4 | | | 10 | 10 | 10 | 10 |
| 40 | •302F928170 | SPRING PULLEY | | | 6 | 6 | 6 | 6 |
| 41 | •302FZ28260 | EXIT PUSH | | | 3 | 3 | 3 | 3 |
| 42 | •302FZ28270 | SPRING EXIT PUSH | | | 3 | 3 | 3 | 3 |
| 43 | •302LF46B60 | WIRE EXIT SENSOR | | | 1 | 1 | 1 | 1 |
| 44 | 302NH28030 | COVER RELAY EXIT | | | 1 | 1 | 1 | 1 |
| 45 | 302LF28621 | PLATE REINFORCEMENT EXIT | | | 1 | 1 | 1 | 1 |
| 46 | 302LF28720 | SLIDER RELEASE | | | 1 | 1 | 1 | 1 |

FIG. 33 Electrical Components 1

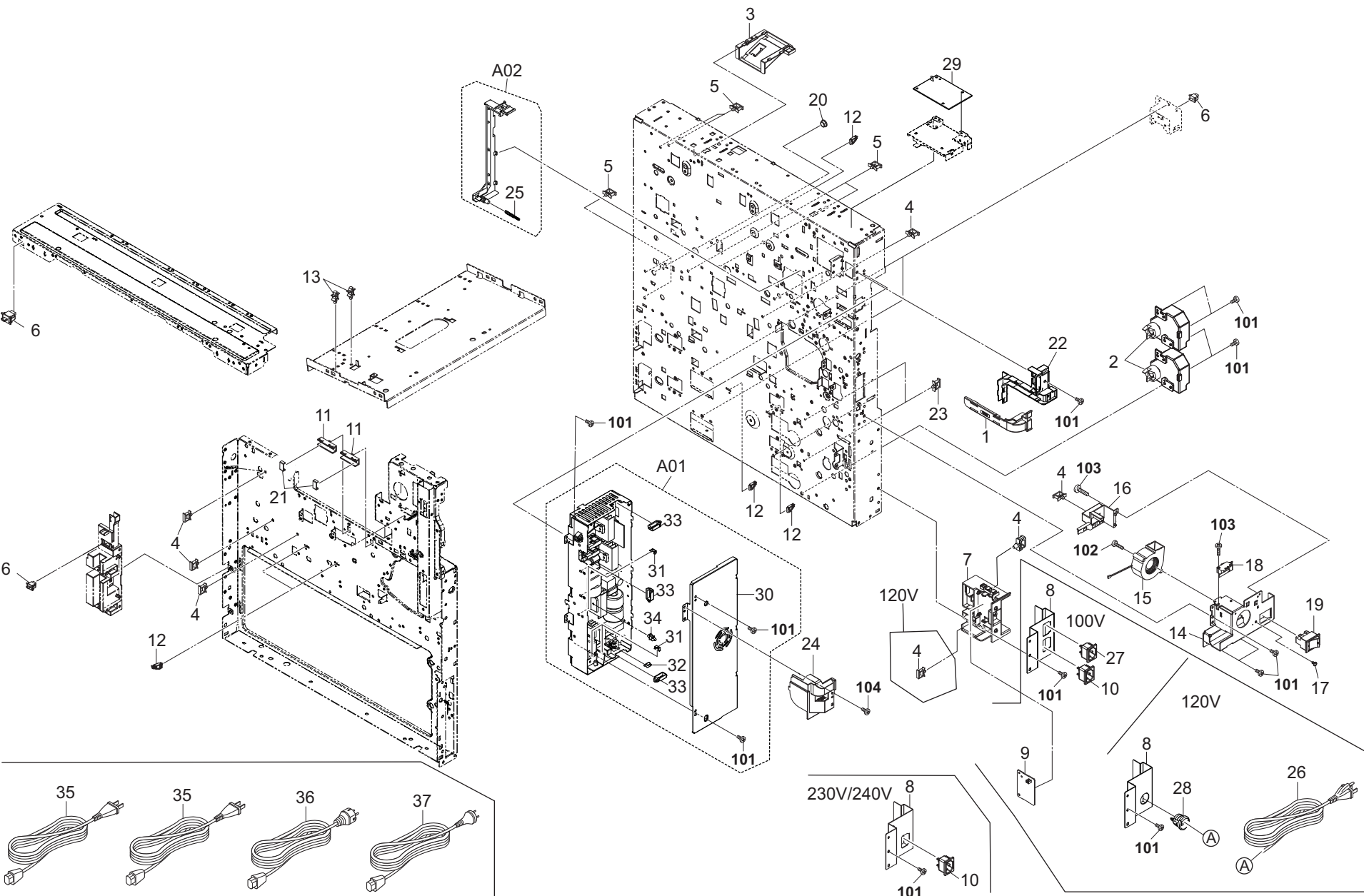


FIG. 33 Electrical Components 1

2XP/2XN

| Ref No. | Part.No. | Description | Notes | Revision | Quantity | | | |
|---------|------------------|-----------------------------------|-------|----------|----------|-----|-----|-----|
| | | | | | 100 | 120 | 230 | 240 |
| 1 | 302N739040 | COVER WIRE IH | | | 1 | 1 | 1 | 1 |
| 2 | 302NH94360 | PARTS MOTOR LIFT ASSY SP | | | 2 | 2 | 2 | 2 |
| 3 | 302NH39320 | GUIDE WIRE ISU | | | 1 | 1 | 1 | 1 |
| 4 | 7YZM610001++H01 | ACCESS SADDLE | | | 6 | 7 | 6 | 6 |
| 5 | 7YZM610003++H01 | ACCESS SADDLE | | | 6 | 6 | 6 | 6 |
| 6 | 7SP01000006+H01 | SW.PUSH | | | 3 | 3 | 3 | 3 |
| 7 | 302NH39380 | GUIDE WIRE INLET | | | 1 | 1 | 1 | 1 |
| 8 | 302N739020 | PLATE INLET A2 | | | 1 | | | |
| 8 | 302N439070 | PLATE INLET B2 | | | | | 1 | 1 |
| 8 | 302N739010 | PLATE INLET | | | | 1 | | |
| 9 | 302N494211 | PARTS PWB CURRENT AVE 100 ASSY SP | | | 1 | 1 | | |
| 10 | 302NH46320 | CONN.CORD ASSY INLET ASSY 1 | | | 1 | | 1 | 1 |
| 11 | 302LF39050 | GUIDE WIRE FRONT PWB | | | 2 | 2 | 2 | 2 |
| 12 | 302K939230 | HOLDER PWB | | | 4 | 4 | 4 | 4 |
| 13 | 7YZM510007++H01 | ACCESS.SPACER | | | 2 | 2 | 2 | 2 |
| 14 | 302N439050 | PLATE MAIN SW | | | 1 | 1 | 1 | 1 |
| 15 | 302LC94380 | PARTS FAN COOLING LSU 60 SP | | | 1 | 1 | 1 | 1 |
| 16 | 302K939560 | DUCT FAN IH | | | 1 | 1 | 1 | 1 |
| 17 | 7YZM510022++H01 | ACCESS.SPACER | | | 1 | 1 | 1 | 1 |
| 18 | 2FB27160 | INTER LOCK SWITCH | | | 1 | 1 | 1 | 1 |
| 19 | 7SC020204+++H01 | SW.SEE SAW | | | 1 | 1 | 1 | 1 |
| 20 | 7YZM110001++H01 | ACCESS.BUSHING | | | 1 | 1 | 1 | 1 |
| 21 | 303LL02330 | HOLDER WIRE D | | | 2 | 2 | 2 | 2 |
| 22 | 302NH39330 | GUIDE WIRE IH | | | 1 | 1 | 1 | 1 |
| 23 | 7YZM610008++H01 | ACCESS.SADDLE | | | 2 | 2 | 2 | 2 |
| 24 | 302K939521 | COVER WIRE FUSER | | | 1 | 1 | 1 | 1 |
| A02 | 302NH94170 | PARTS TERMINAL HV FUSER ASSY SP | | | 1 | 1 | 1 | 1 |
| 25 | •302NH39480 | SPRING CONTACT FUSER SET | | | 1 | 1 | 1 | 1 |
| 26 | 7AAACCUS+20H003 | AC CORD ASSY US | | | | 1 | | |
| 27 | 302N246080 | WIRE INLET ASSY | | | 1 | | | |
| 28 | 7YZM120001++H01 | ACCESS.BUSHING | | | | 1 | | |
| 29 | 302ND94690 | PARTS UNIT HIGH VOLTAGE FUSER SP | | | 1 | 1 | 1 | 1 |
| A01 | 302NH94180 | PARTS IH BOX ASSY (M/E) SP | | | | | 1 | 1 |
| A01 | 302NH94190 | PARTS IH BOX ASSY (M/J) SP | | | 1 | 1 | | |
| 30 | •302K939450 | COVER PWB IH | | | 1 | 1 | 1 | 1 |
| 31 | •302K931080 | WIRE STOPPER | | | 5 | 5 | 5 | 5 |
| 32 | •7YZM210006++H01 | ACCESS.EDGING | | | 1 | 1 | 1 | 1 |
| 33 | •7YZM210010++H01 | ACCESS.EDGING | | | 3 | 3 | 3 | 3 |
| 34 | •7YZM510007++H01 | ACCESS.SPACER | | | 1 | 1 | 1 | 1 |
| 35 | 7AAACCJP+15H010 | AC CORD ASSY JP | | | 2 | | | |
| 36 | 302RH94240 | PARTS AC CORD EU SP | | | | | 1 | |
| 37 | 7AAACCAS+10H001 | AC CORD ASSY AS | | | | | | 1 |
| 101 | 7BB700408H | +BIND T.T S SCREW 4X8 SR | | | | | | |
| 102 | 7BB700330H | +BIND T.T S SCREW 3X30 SR | | | | | | |
| 103 | 7BB607320H | +TP-CUP M SCREW 3X20 R | | | | | | |
| 104 | 7BB700308H | +BIND T.T S SCREW 3X8 SR | | | | | | |

FIG. 34 Electrical Components 2

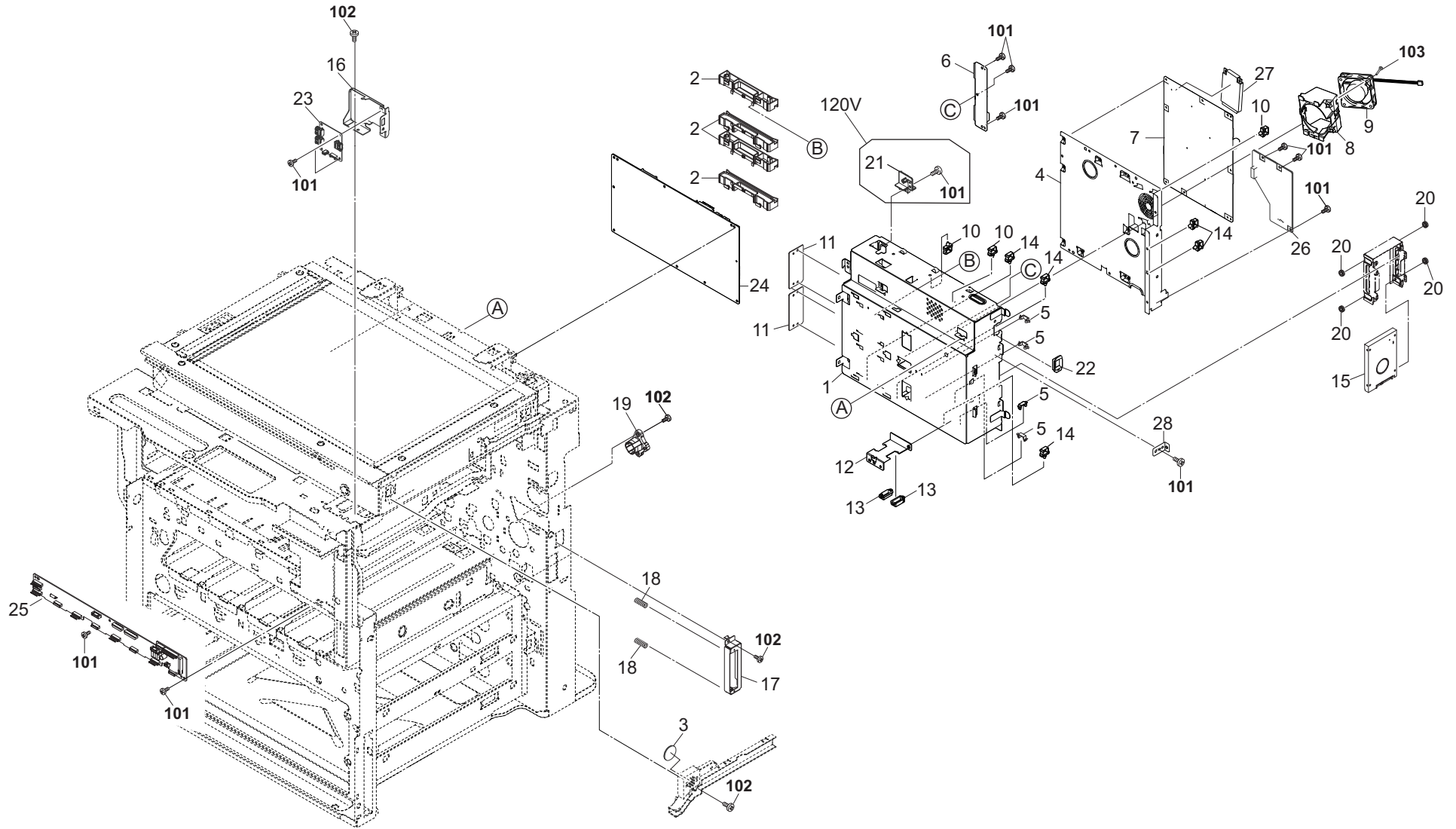


FIG. 34 Electrical Components 2

2XP/2XN

| Ref No. | Part.No. | Description | Notes | Revision | Quantity | | | |
|---------|-----------------|-----------------------------|-------|----------|----------|-----|-----|-----|
| | | | | | 100 | 120 | 230 | 240 |
| 1 | 302NH39010 | SHIELD BOX | | | 1 | 1 | 1 | 1 |
| 2 | 302K939030 | RAIL PWB | | | 4 | 4 | 4 | 4 |
| 3 | 302ND94790 | PARTS SPEAKER SP | | | 1 | 1 | 1 | 1 |
| 4 | 302NH39020 | BRACKET MAIN | | | 1 | 1 | 1 | 1 |
| 5 | 7YZM390011++H01 | ACCESS.CLAMP | | | 4 | 4 | 4 | 4 |
| 6 | 302XN94010 | PARTS PWB KUJO ASSY SP | | | 1 | 1 | 1 | 1 |
| 7 | 302XN94040 | PARTS PWB MAIN ASSY SP | | | 1 | 1 | | 1 |
| 7 | 302XN94060 | PARTS PWB MAIN ASSY EU SP | | | | | 1 | |
| 8 | 302NH39030 | HOLDER FAN MAIN | | | 1 | 1 | 1 | 1 |
| 9 | 302FZ44040 | FAN BOX COOLING | | | 1 | 1 | 1 | 1 |
| 10 | 7YZM610002++H01 | ACCESS SADDLE | | | 3 | 3 | 3 | 3 |
| 11 | 302RH39220 | PLATE OPTION | | | 2 | 2 | 2 | 2 |
| 12 | 302K939080 | PLATE SHIELD BOX | | | 1 | 1 | 1 | 1 |
| 13 | 7YZM210011++H01 | ACCESS.EDGING | | | 2 | 2 | 2 | 2 |
| 14 | 7YZM610003++H01 | ACCESS SADDLE | | | 6 | 6 | 6 | 6 |
| 15 | 302NH93190 | PARTS STORAGE DEVICE SP | | | 1 | 1 | 1 | 1 |
| 16 | 302NH39400 | MOUNT USB PWB | | | 1 | 1 | 1 | 1 |
| 17 | 302K924381 | MOUNT DRAWER B | | | 1 | 1 | 1 | 1 |
| 18 | 302K924360 | SPRING DRAWER | | | 2 | 2 | 2 | 2 |
| 19 | 302K931210 | HOLDER ATTACHMENT | | | 1 | 1 | 1 | 1 |
| 20 | 302JD19140 | BUSHING FAN | | | 4 | 4 | 4 | 4 |
| 21 | 303RR94010 | PARTS WIFI UNIT SP | | | | 1 | | |
| 22 | 7YZM210003++H01 | ACCESS.EDGING | | | 1 | 1 | 1 | 1 |
| 23 | 302RH94020 | PARTS PWB USB HUB ASSY SP | | | 1 | 1 | 1 | 1 |
| 24 | 302XN94050 | PARTS PWB ENGINE ASSY SP | | | 1 | 1 | 1 | 1 |
| 25 | 302NH94110 | PARTS PWB FRONT CLR ASSY SP | | | 1 | 1 | 1 | 1 |
| 26 | 303R894050 | PARTS PWB DPIF ASSY SP | | | 1 | 1 | 1 | 1 |
| 27 | 302ND94670 | PARTS SSD SP | | | 1 | 1 | 1 | 1 |
| 28 | 302MN04151 | PLATE NUT M3 | | | 1 | 1 | 1 | 1 |
| 101 | 7BB700308H | +BIND T.T S SCREW 3X8 SR | | | | | | |
| 102 | 7BB700408H | +BIND T.T S SCREW 4X8 SR | | | | | | |
| 103 | 7BB200322H | BIND T.T P SCREW 3X22 | | | | | | |

FIG. 35 Electrical Components 3

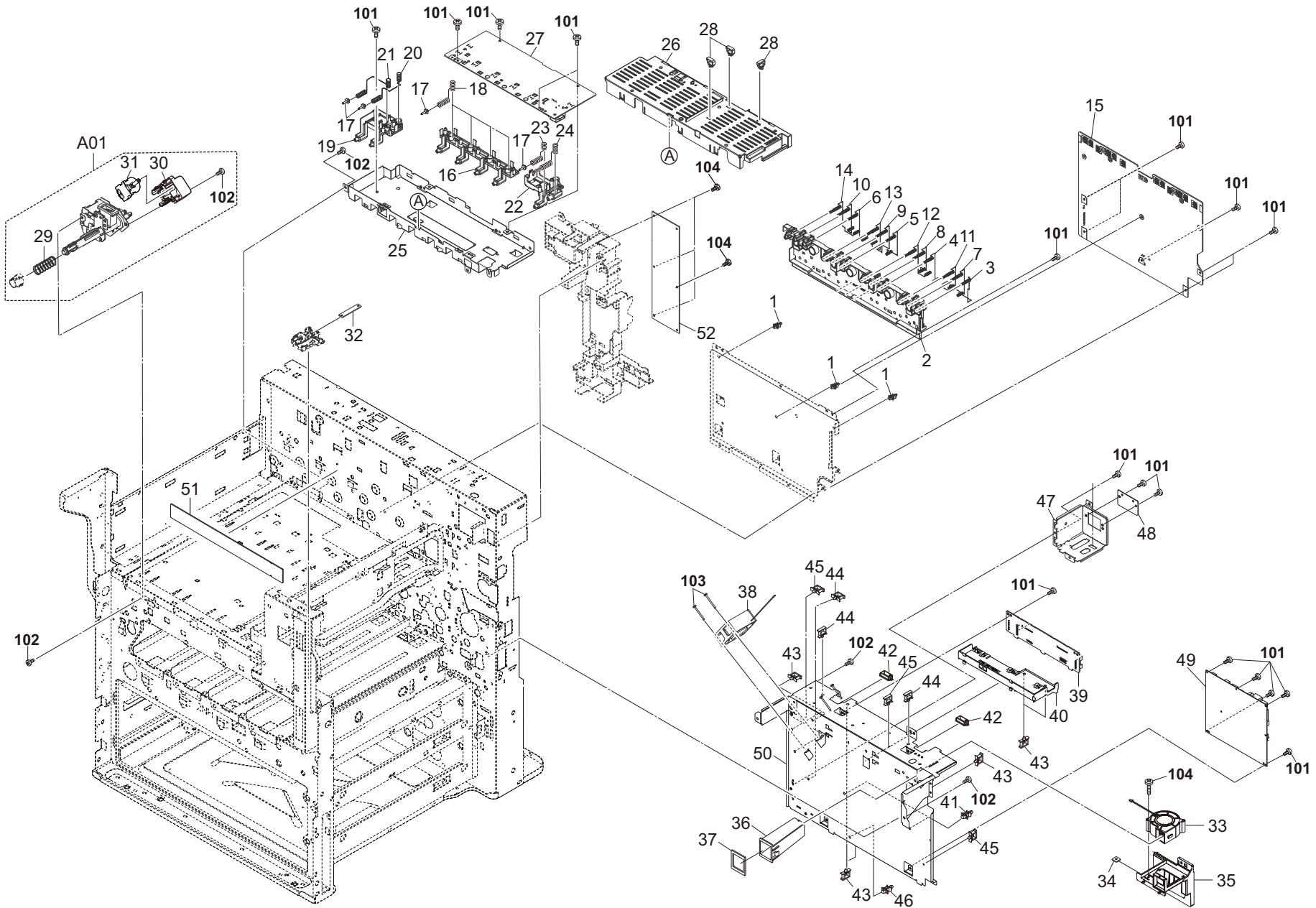


FIG. 35 Electrical Components 3

2XP/2XN-5.0

| Ref No. | Part.No. | Description | Notes | Revision | Quantity | | | |
|---------|-----------------|-------------------------------------|-------|-------------|----------|-----|-----|-----|
| | | | | | 100 | 120 | 230 | 240 |
| 1 | 7YZM510007++H01 | ACCESS.SPACER | | | 3 | 3 | 3 | 3 |
| 2 | 302NH39140 | TERMINAL HV MAIN | | | 1 | 1 | 1 | 1 |
| 3 | 302NH39150 | SPRING HV MC K | | | 1 | 1 | 1 | 1 |
| 4 | 302NH39160 | SPRING HV MC M | | | 1 | 1 | 1 | 1 |
| 5 | 302NH39170 | SPRING HV MC C | | | 1 | 1 | 1 | 1 |
| 6 | 302NH39180 | SPRING HV MC Y | | | 1 | 1 | 1 | 1 |
| 7 | 302NH39190 | SPRING MAG K | | | 1 | 1 | 1 | 1 |
| 8 | 302NH39200 | SPRING MAG M | | | 1 | 1 | 1 | 1 |
| 9 | 302NH39210 | SPRING MAG C | | | 1 | 1 | 1 | 1 |
| 10 | 302NH39220 | SPRING MAG Y | | | 1 | 1 | 1 | 1 |
| 11 | 302NH39230 | SPRING SLEEVE K | | | 1 | 1 | 1 | 1 |
| 12 | 302NH39240 | SPRING SLEEVE M | | | 1 | 1 | 1 | 1 |
| 13 | 302NH39250 | SPRING SLEEVE C | | | 1 | 1 | 1 | 1 |
| 14 | 302NH39260 | SPRING SLEEVE Y | | | 1 | 1 | 1 | 1 |
| 15 | 302NH94380 | PARTS UNIT HIGH VOLTAGE MAIN SP | | | 1 | 1 | 1 | 1 |
| 16 | 302NH39100 | TERMINAL HV TRANS | | | 1 | 1 | 1 | 1 |
| 17 | 302K939260 | PIN HV CONTACT | | | 7 | 7 | 7 | 7 |
| 18 | 302K939280 | SPRING HV TRANS | | | 4 | 4 | 4 | 4 |
| 19 | 302NH39110 | TERMINAL HV CLN | | | 1 | 1 | 1 | 1 |
| 20 | 302NH39430 | SPRING HV TRANS CLN | | | 1 | 1 | 1 | 1 |
| 21 | 302NH39440 | SPRING TRANS CLN BIAS | | | 1 | 1 | 1 | 1 |
| 22 | 302K939291 | TERMINAL HV DRIVE | | | 1 | 1 | 1 | 1 |
| 23 | 302K939300 | SPRING HV DRIVE | | | 1 | 1 | 1 | 1 |
| 24 | 302K939310 | SPRING HV SEPARATION | | | 1 | 1 | 1 | 1 |
| 25 | 302NH39090 | PLATE HVU TRANS | | | 1 | 1 | 1 | 1 |
| 26 | 302NH39350 | COVER HVU TRANS | | | 1 | 1 | 1 | 1 |
| 27 | 302NH94370 | PARTS UNIT HIGH VOLTAGE TRANSFER SP | | | 1 | 1 | 1 | 1 |
| 28 | 7YZM610010++H01 | ACCESS.SADDLE | | | 3 | 3 | 3 | 3 |
| A01 | 302NH94040 | PARTS CLN WT UNIT(M) SP | | | 1 | 1 | 1 | 1 |
| 29 | *302K912330 | SPRING SHUTTER | | | 1 | 1 | 1 | 1 |
| 30 | *302K923520 | HOLDER MOTOR CLN | | | 1 | 1 | 1 | 1 |
| 31 | *302K994B11 | PARTS CLN WT MOTOR ASSY (M) SP | | | 1 | 1 | 1 | 1 |
| 32 | 302NH94450 | PARTS FUSER SENSOR ASSY SP | | | 1 | 1 | 1 | 1 |
| 33 | 302LC94380 | PARTS FAN COOLING LSU 60 SP | | | 1 | 1 | 1 | 1 |
| 34 | 3CY06030 | RETAINER M4 | | | 1 | 1 | 1 | 1 |
| 35 | 302LC33441 | DUCT DLP B | | | 1 | 1 | 1 | 1 |
| 36 | 302K933651 | DUCT DLP A | | | 1 | 1 | 1 | 1 |
| 37 | 302LC33480 | SPONGE DLP COOLING A | | | 1 | 1 | 1 | 1 |
| 38 | 302ND94590 | PARTS FAN CENTER 60 25 SP | | | 1 | 1 | 1 | 1 |
| 39 | 302NH94330 | PARTS PWB MOTOR JUNCTION ASSY SP | | | 1 | 1 | 1 | 1 |
| 40 | 302NH39070 | GUIDE WIRE LVU | | | 1 | 1 | 1 | 1 |
| 41 | 7YZM510007++H01 | ACCESS.SPACER | | | 2 | 2 | 2 | 2 |
| 42 | 7YZM210010++H01 | ACCESS.EDGING | | | 2 | 2 | 2 | 2 |
| 43 | 7YZM610003++H01 | ACCESS SADDLE | | | 5 | 5 | 5 | 5 |
| 44 | 7YZM610001++H01 | ACCESS SADDLE | | | 4 | 4 | 4 | 4 |
| 45 | 7YZM610008++H01 | ACCESS.SADDLE | | | 3 | 3 | 3 | 3 |
| 46 | 7YZM510021++H01 | ACCESS.SPACER | | | 1 | 1 | 1 | 1 |
| 47 | 302NH39410 | PLATE OPTION COIN-VENDOR | | | 1 | 1 | 1 | 1 |
| 48 | 302FB26290 | LID VENDOR | | | 1 | 1 | 1 | 1 |
| 49 | 302XT94141 | PARTS UNIT LOW VOLTAGE SP | | Design-chg. | 1 | 1 | 1 | 1 |

FIG. 36 Operation Panel Section

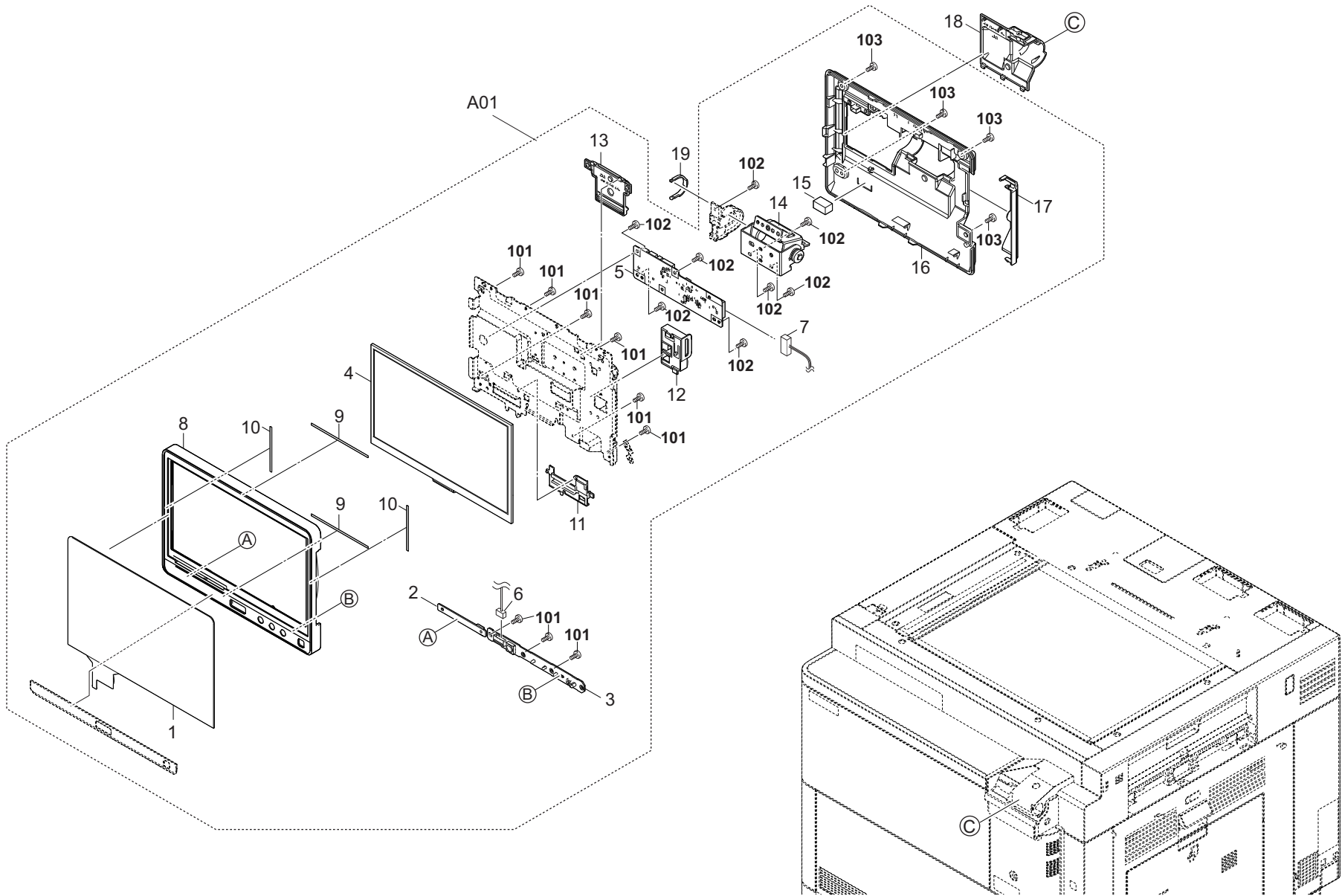


FIG. 36 Operation Panel Section

2XP/2XN

| Ref No. | Part.No. | Description | Notes | Revision | Quantity | | | |
|---------|-------------|------------------------------------|-------|----------|----------|-----|-----|-----|
| | | | | | 100 | 120 | 230 | 240 |
| A01 | 302XT94040 | PARTS OPERATION UNIT SP | | | 1 | 1 | 1 | 1 |
| 1 | +302V894080 | PARTS TABLET OPERATION SP | | | 1 | 1 | 1 | 1 |
| 2 | +302RH94050 | PARTS PWB NFC ASSY SP | | | 1 | 1 | 1 | 1 |
| 3 | +302V894050 | PARTS PWB PANEL ASSY SP | | | 1 | 1 | 1 | 1 |
| 4 | +302V894090 | PARTS LCD OPERATION SP | | | 1 | 1 | 1 | 1 |
| 5 | +302V894060 | PARTS PWB OPERATION ASSY SP | | | 1 | 1 | 1 | 1 |
| 6 | +302V846070 | CONN.CORD ASSY OPERATION | | | 1 | 1 | 1 | 1 |
| 7 | +302V846080 | CONN.CORD ASSY 10KEY JOINT | | | 1 | 1 | 1 | 1 |
| 8 | +302V805010 | COVER OPERATION A | | | 1 | 1 | 1 | 1 |
| 9 | +302V805250 | SPONGE LCD C | | | 2 | 2 | 2 | 2 |
| 10 | +302V805260 | SPONGE LCD D | | | 2 | 2 | 2 | 2 |
| 11 | +302V805190 | GUIDE WIRE OPERATION A | | | 1 | 1 | 1 | 1 |
| 12 | +302V805200 | GUIDE WIRE OPERATION B | | | 1 | 1 | 1 | 1 |
| 13 | +302XT05030 | COVER OPERATION HINGE | | | 1 | 1 | 1 | 1 |
| 14 | +302ND05063 | HINGE OPERATION ASSY | | | 1 | 1 | 1 | 1 |
| 15 | +302V805220 | SPONGE PANEL | | | 1 | 1 | 1 | 1 |
| 16 | +302XT05010 | COVER OPERATION REAR | | | 1 | 1 | 1 | 1 |
| 17 | +302V805040 | LID OPERATION A | | | 1 | 1 | 1 | 1 |
| 18 | 302XT05020 | COVER OPERATION WIRE | | | 1 | 1 | 1 | 1 |
| 19 | 302RH05370 | HOLDER WIRE OPERATION | | | 1 | 1 | 1 | 1 |
| 101 | 7BB200308H | +BIND T.T P SCREW 3X8 | | | | | | |
| 102 | 7BB702308H | +TP-FLAT T.T S SCREW 3X8 SR | | | | | | |
| 103 | 7BB782308H | +TP-FLAT T.T S SCREW 3X8 SR(BLACK) | | | | | | |

FIG. 37 Wire sections 1 Engine

2XP/2XN

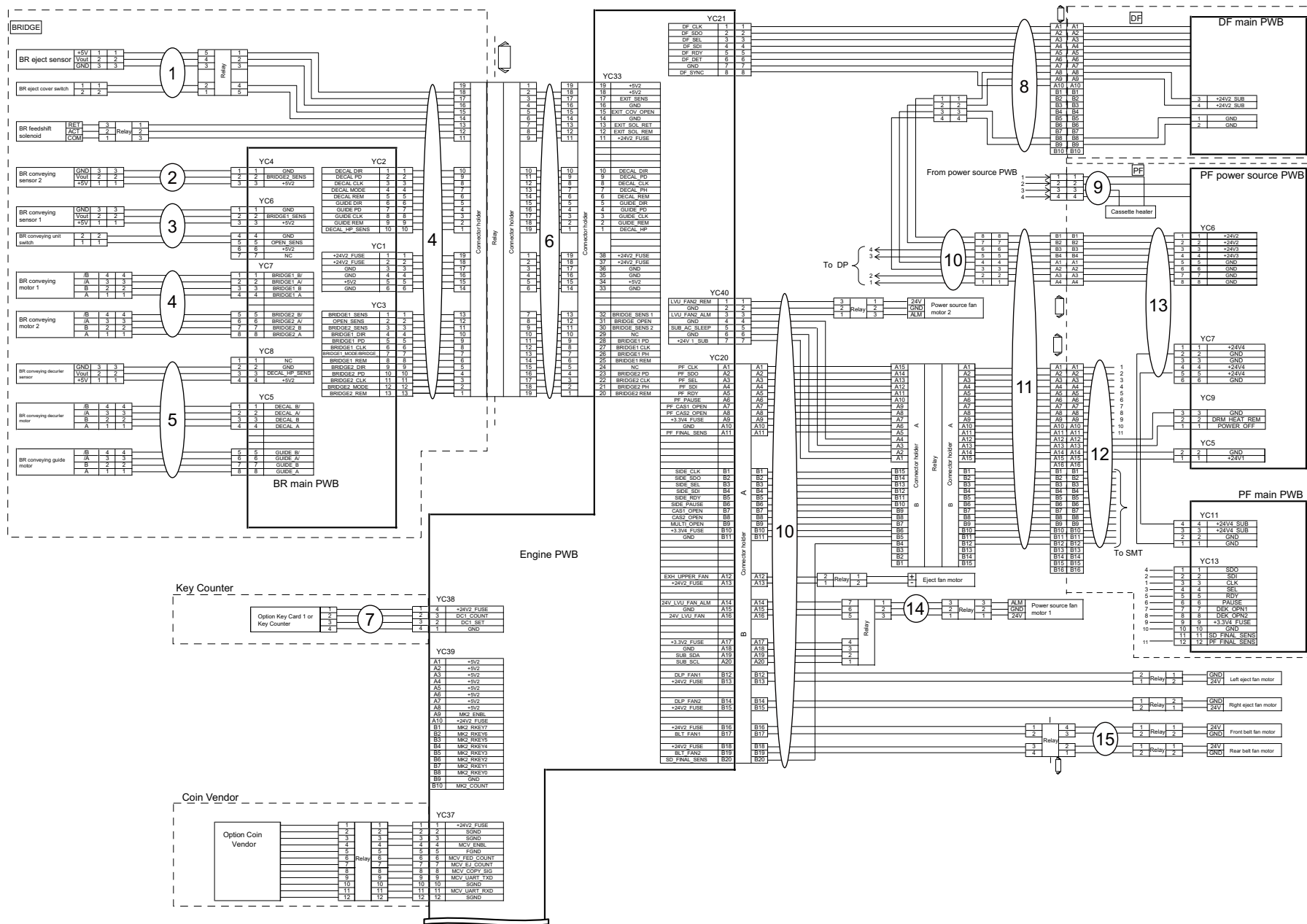


FIG. 37 Wire sections 1 Engine

2XP/2XN

| Ref No. | Part.No. | Description | Notes | Revision | Quantity | | | |
|---------|------------|---------------------------------|-------------------------------------|----------|----------|-----|-----|-----|
| | | | | | 100 | 120 | 230 | 240 |
| 1 | 302LF46B60 | WIRE EXIT SENSOR | | | 1 | 1 | 1 | 1 |
| 2 | 302LF46B50 | WIRE FEED SENSOR | | | 1 | 1 | 1 | 1 |
| 3 | 302LF46B40 | WIRE OPEN SWITCH | | | 1 | 1 | 1 | 1 |
| 4 | 302NH46A70 | CONN.CORD ASSY BRIDGE INTERFACE | | | 1 | 1 | 1 | 1 |
| 5 | 302LF46B30 | WIRE GUIDE MOTOR | | | 1 | 1 | 1 | 1 |
| 6 | 302XT46030 | CONN.CORD ASSY BRIDGE JOINT | | | 1 | 1 | 1 | 1 |
| 7 | 302K946AJ0 | WIRE KEY COUNTER | | | | 1 | | |
| 8 | 302NH46A80 | CONN.CORD ASSY DF JOINT | | | 1 | 1 | 1 | 1 |
| 9 | 302NH46670 | CONN.CORD ASSY FD LVU AC | Relative Fig.No.:54 | | 1 | 1 | 1 | 1 |
| 10 | 302NH46060 | CONN.CORD ASSY HVU MAIN | Relative Fig.No.:38, 43, 47, 48, 49 | | 1 | 1 | 1 | 1 |
| 11 | 302NH46800 | CONN.CORD ASSY PF JOINT | | | 1 | 1 | 1 | 1 |
| 12 | 302NH46810 | CONN.CORD ASSY FD ENGINE I/F | Relative Fig.No.:54 | | 1 | 1 | 1 | 1 |
| 13 | 302XN46010 | CONN.CORD ASSY FD LVU | Relative Fig.No.:54 | | 1 | 1 | 1 | 1 |
| 14 | 302NH46660 | CONN.CORD ASSY LVU FAN | | | 1 | 1 | 1 | 1 |
| 15 | 302K946650 | WIRE BELT FAN | | | 1 | 1 | 1 | 1 |

• Wire Section indicates all the wires/FFCs containing them in other FIGs.

• Wire Section には全ての電線 /FFC (他 FIG の電線 /FFC 含む) を掲載しています。

FIG. 38 Wire sections 2 LSU

2XP/2XN

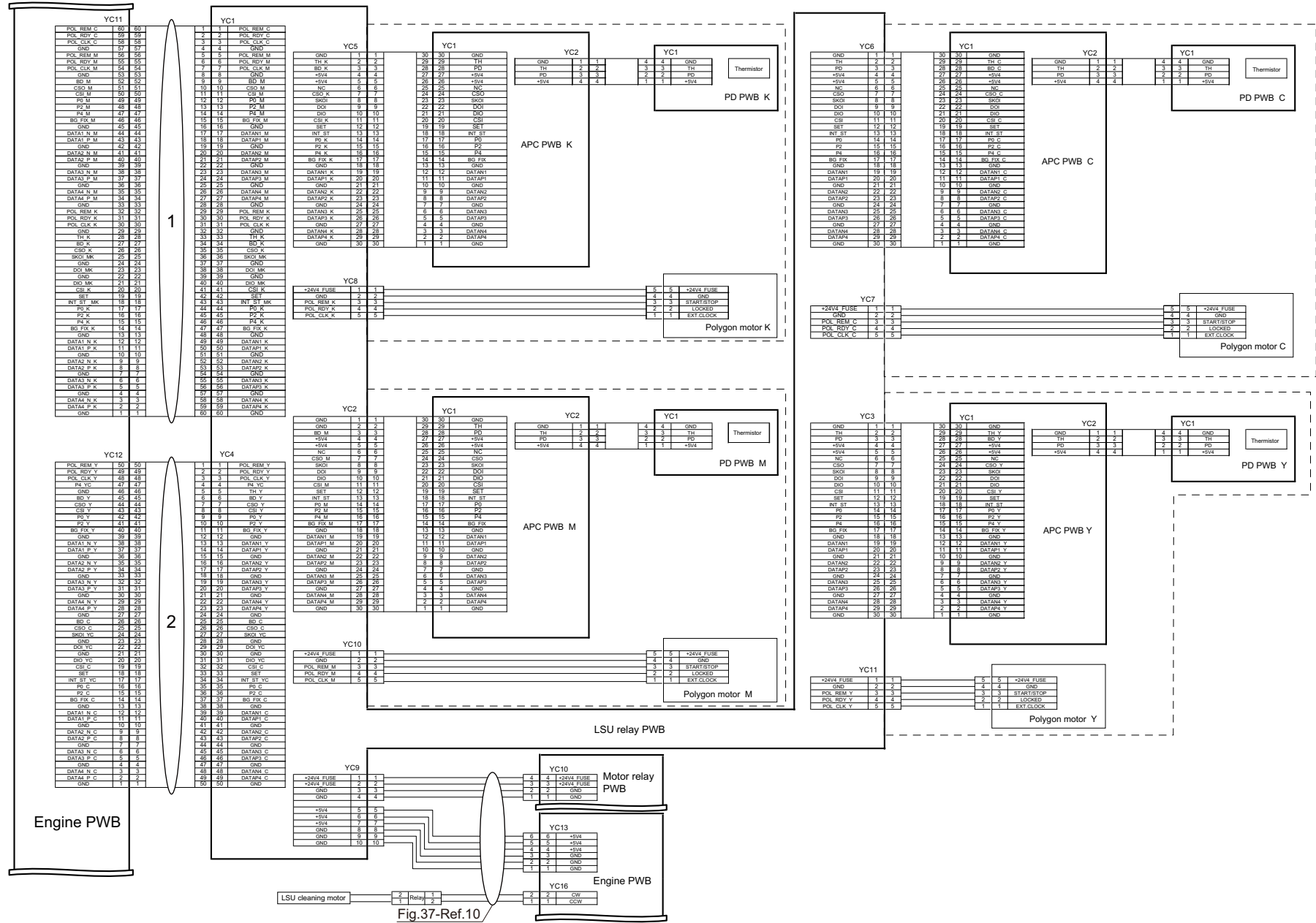


Fig.37-Ref.10

FIG. 38 Wire sections 2 LSU

2XP/2XN

| Ref No. | Part.No. | Description | Notes | Revision | Quantity | | | |
|---------|------------|-----------------------|-------|----------|----------|-----|-----|-----|
| | | | | | 100 | 120 | 230 | 240 |
| 1 | 302NH94490 | PARTS FFC LSU1 SET SP | | | 1 | 1 | 1 | 1 |
| 2 | 302NH94500 | PARTS FFC LSU2 SET SP | | | 1 | 1 | 1 | 1 |
| | | | | | | | | |
| | | | | | | | | |
| | | | | | | | | |
| | | | | | | | | |
| | | | | | | | | |
| | | | | | | | | |
| | | | | | | | | |
| | | | | | | | | |
| | | | | | | | | |
| | | | | | | | | |
| | | | | | | | | |
| | | | | | | | | |
| | | | | | | | | |
| | | | | | | | | |
| | | | | | | | | |
| | | | | | | | | |
| | | | | | | | | |
| | | | | | | | | |
| | | | | | | | | |
| | | | | | | | | |
| | | | | | | | | |
| | | | | | | | | |
| | | | | | | | | |
| | | | | | | | | |
| | | | | | | | | |
| | | | | | | | | |
| | | | | | | | | |
| | | | | | | | | |
| | | | | | | | | |
| | | | | | | | | |
| | | | | | | | | |
| | | | | | | | | |
| | | | | | | | | |
| | | | | | | | | |
| | | | | | | | | |
| | | | | | | | | |
| | | | | | | | | |
| | | | | | | | | |
| | | | | | | | | |
| | | | | | | | | |

• Wire Section indicates all the wires/FFCs containing them in other FIGs.

• Wire Section には全ての電線/FFC（他 FIG の電線 /FFC 含む）を掲載しています。

FIG. 39 Wire sections 3 Front-1

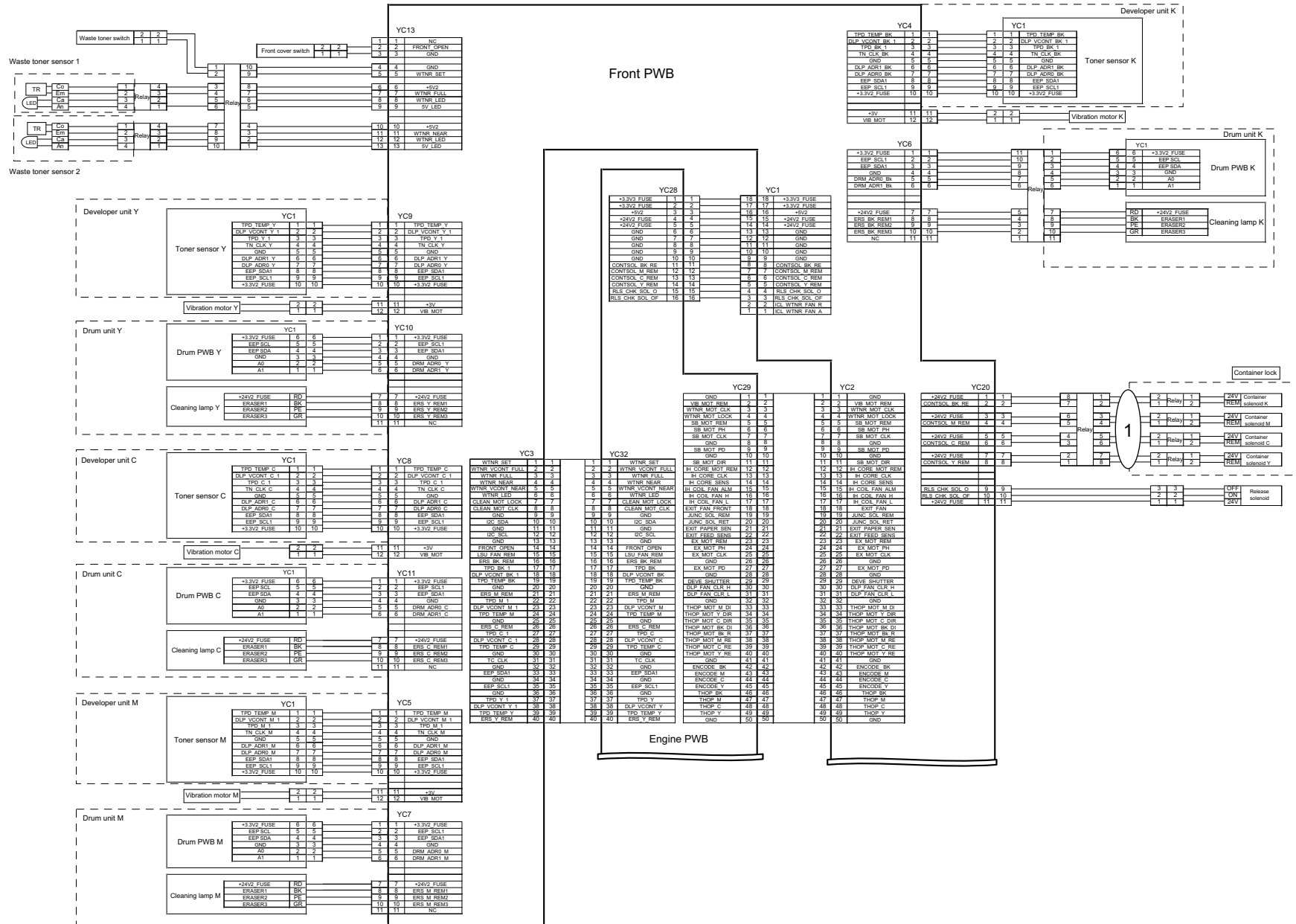


FIG. 39 Wire sections 3 Front-1

2XP/2XN

| Ref No. | Part.No. | Description | Notes | Revision | Quantity | | | |
|---------|------------|--------------------------|-------|----------|----------|-----|-----|-----|
| | | | | | 100 | 120 | 230 | 240 |
| 1 | 302NH46980 | CONN.CORD ASSY CONT LOCK | | | 1 | 1 | 1 | 1 |
| | | | | | | | | |
| | | | | | | | | |
| | | | | | | | | |
| | | | | | | | | |
| | | | | | | | | |
| | | | | | | | | |
| | | | | | | | | |
| | | | | | | | | |
| | | | | | | | | |
| | | | | | | | | |
| | | | | | | | | |
| | | | | | | | | |
| | | | | | | | | |
| | | | | | | | | |
| | | | | | | | | |
| | | | | | | | | |
| | | | | | | | | |
| | | | | | | | | |
| | | | | | | | | |
| | | | | | | | | |
| | | | | | | | | |
| | | | | | | | | |
| | | | | | | | | |
| | | | | | | | | |
| | | | | | | | | |
| | | | | | | | | |

• Wire Section indicates all the wires/FFCs containing them in other FIGs.

• Wire Section には全ての電線 /FFC（他 FIG の電線 /FFC 含む）を掲載しています。

FIG. 40 Wire sections 4 Front-2

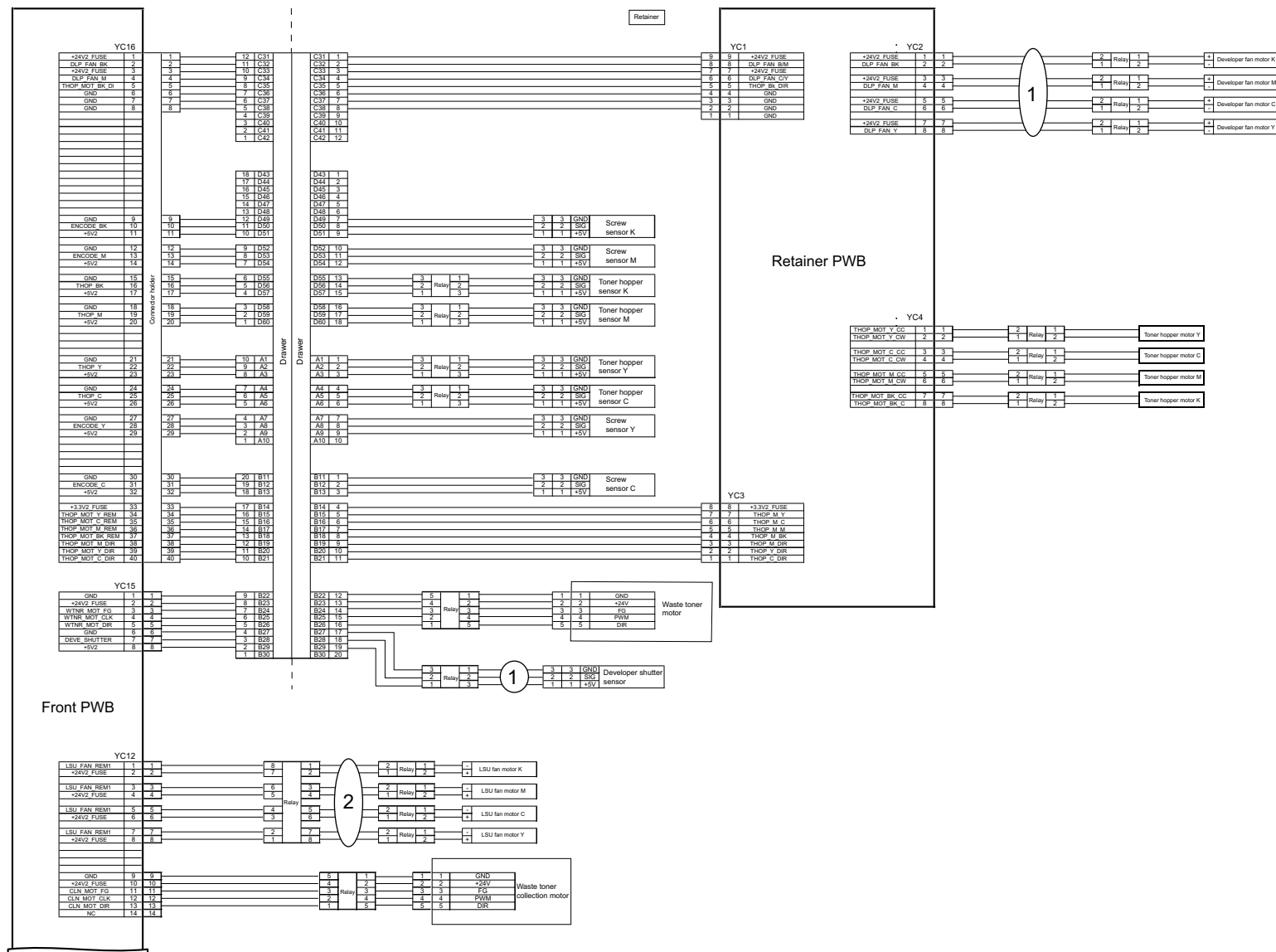


FIG. 40 Wire sections 4 Front-2

2XP/2XN

| Ref No. | Part.No. | Description | Notes | Revision | Quantity | | | |
|---------|------------|------------------------|-------|----------|----------|-----|-----|-----|
| | | | | | 100 | 120 | 230 | 240 |
| 1 | 302NH46A40 | CONN.CORD ASSY DLP FAN | | | 1 | 1 | 1 | 1 |
| 2 | 302K946AM0 | WIRE LSU FAN | | | 1 | 1 | 1 | 1 |
| | | | | | | | | |
| | | | | | | | | |
| | | | | | | | | |
| | | | | | | | | |
| | | | | | | | | |
| | | | | | | | | |
| | | | | | | | | |
| | | | | | | | | |
| | | | | | | | | |
| | | | | | | | | |
| | | | | | | | | |
| | | | | | | | | |
| | | | | | | | | |
| | | | | | | | | |
| | | | | | | | | |
| | | | | | | | | |
| | | | | | | | | |
| | | | | | | | | |
| | | | | | | | | |
| | | | | | | | | |
| | | | | | | | | |
| | | | | | | | | |
| | | | | | | | | |
| | | | | | | | | |

• Wire Section indicates all the wires/FFCs containing them in other FIGs.

• Wire Section には全ての電線 /FFC（他 FIG の電線 /FFC 含む）を掲載しています。

FIG. 41 Wire sections 5 Front-3

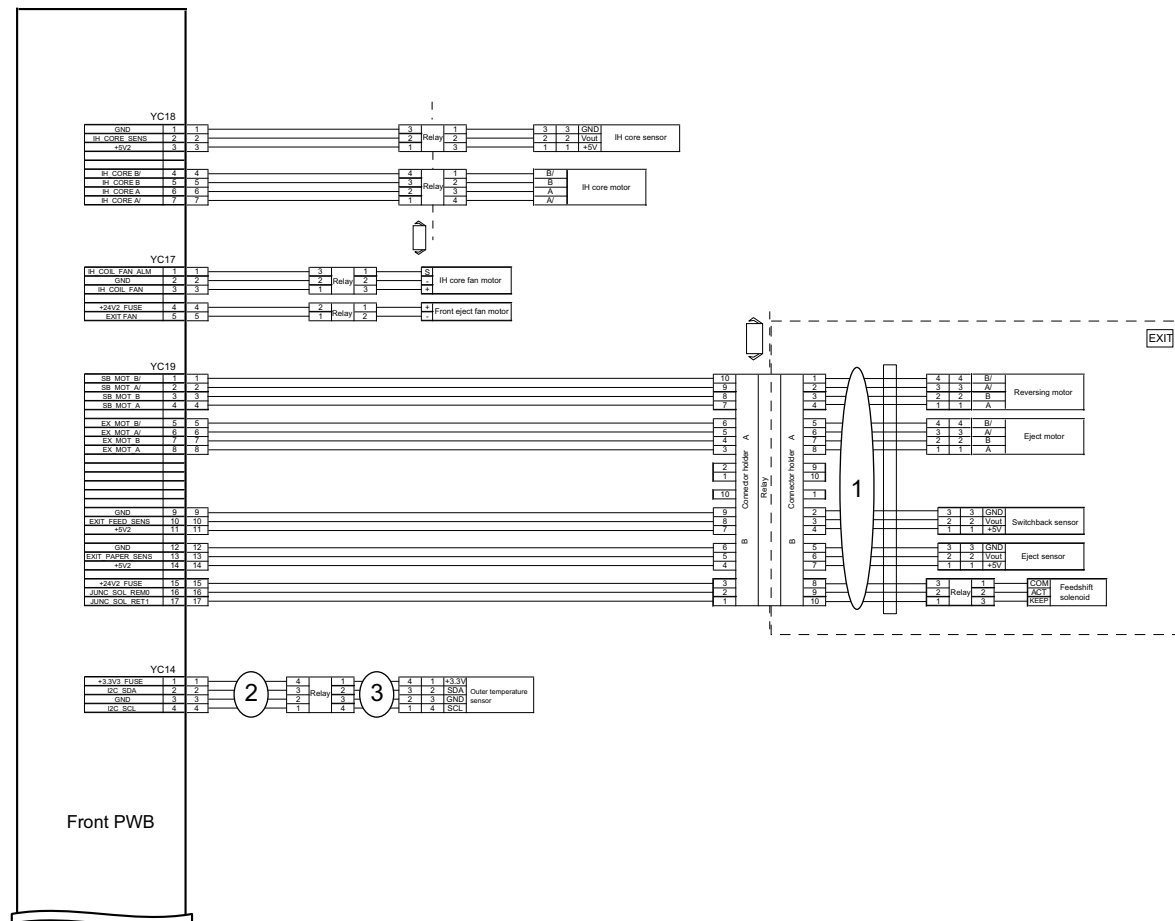


FIG. 41 Wire sections 5 Front-3

2XP/2XN

| Ref No. | Part.No. | Description | Notes | Revision | Quantity | | | |
|---------|------------|----------------------------------|-------|----------|----------|-----|-----|-----|
| | | | | | 100 | 120 | 230 | 240 |
| 1 | 302NH46330 | CONN.CORD ASSY EXIT | | | 1 | 1 | 1 | 1 |
| 2 | 302NH46940 | CONN.CORD ASSY WIRE SENSOR JOINT | | | 1 | 1 | 1 | 1 |
| 3 | 302LF46230 | WIRE FRONT LOW | | | 1 | 1 | 1 | 1 |
| | | | | | | | | |
| | | | | | | | | |
| | | | | | | | | |
| | | | | | | | | |
| | | | | | | | | |
| | | | | | | | | |
| | | | | | | | | |
| | | | | | | | | |
| | | | | | | | | |
| | | | | | | | | |
| | | | | | | | | |
| | | | | | | | | |
| | | | | | | | | |
| | | | | | | | | |
| | | | | | | | | |
| | | | | | | | | |
| | | | | | | | | |
| | | | | | | | | |
| | | | | | | | | |
| | | | | | | | | |
| | | | | | | | | |
| | | | | | | | | |
| | | | | | | | | |
| | | | | | | | | |
| | | | | | | | | |
| | | | | | | | | |
| | | | | | | | | |
| | | | | | | | | |
| | | | | | | | | |
| | | | | | | | | |
| | | | | | | | | |
| | | | | | | | | |
| | | | | | | | | |
| | | | | | | | | |
| | | | | | | | | |

• Wire Section indicates all the wires/FFCs containing them in other FIGs.

• Wire Section には全ての電線 /FFC（他 FIG の電線 /FFC 含む）を掲載しています。

FIG. 42 Wire sections 6 Fuser

2XP/2XN

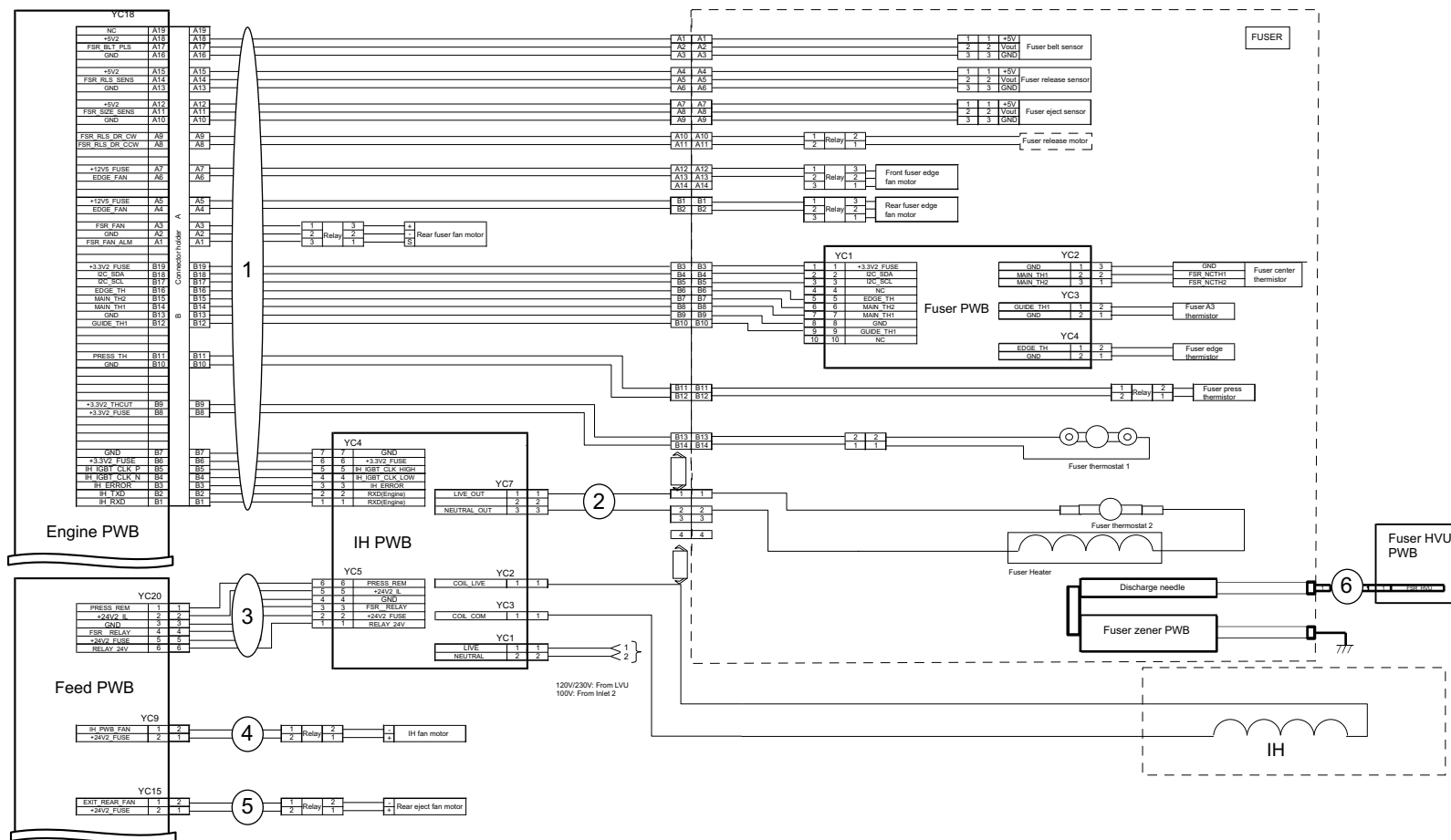


FIG. 42 Wire sections 6 Fuser

2XP/2XN

| Ref No. | Part.No. | Description | Notes | Revision | Quantity | | | |
|---------|------------|-----------------------------------|-----------------------------|----------|----------|-----|-----|-----|
| | | | | | 100 | 120 | 230 | 240 |
| 1 | 302NH46450 | CONN.CORD ASSY FUSER JOINT | | | 1 | 1 | 1 | 1 |
| 2 | 302NH46730 | CONN.CORD ASSY IH PWB | | | 1 | 1 | 1 | 1 |
| 3 | 302NH46070 | CONN.CORD ASSY IH RELAY | | | 1 | 1 | 1 | 1 |
| 4 | 302NH46370 | CONN.CORD ASSY INTERLOCK | Relative Fig.No.:47, 48, 49 | | 1 | 1 | 1 | 1 |
| 5 | 302NH46510 | CONN.CORD ASSY JOBSEPARATOR JOINT | Relative Fig.No.:43 | | 1 | 1 | 1 | 1 |
| 6 | 302NH46A20 | CONN.CORD ASSY FUSER HVU2 | | | 1 | 1 | 1 | 1 |
| | | | | | | | | |
| | | | | | | | | |
| | | | | | | | | |
| | | | | | | | | |
| | | | | | | | | |
| | | | | | | | | |
| | | | | | | | | |
| | | | | | | | | |
| | | | | | | | | |
| | | | | | | | | |
| | | | | | | | | |
| | | | | | | | | |
| | | | | | | | | |
| | | | | | | | | |
| | | | | | | | | |
| | | | | | | | | |
| | | | | | | | | |
| | | | | | | | | |
| | | | | | | | | |
| | | | | | | | | |
| | | | | | | | | |
| | | | | | | | | |

• Wire Section indicates all the wires/FFCs containing them in other FIGs.

• Wire Section には全ての電線 / FFC（他 FIG の電線 / FFC 含む）を掲載しています。

FIG. 43 Wire sections 7 Feed-1

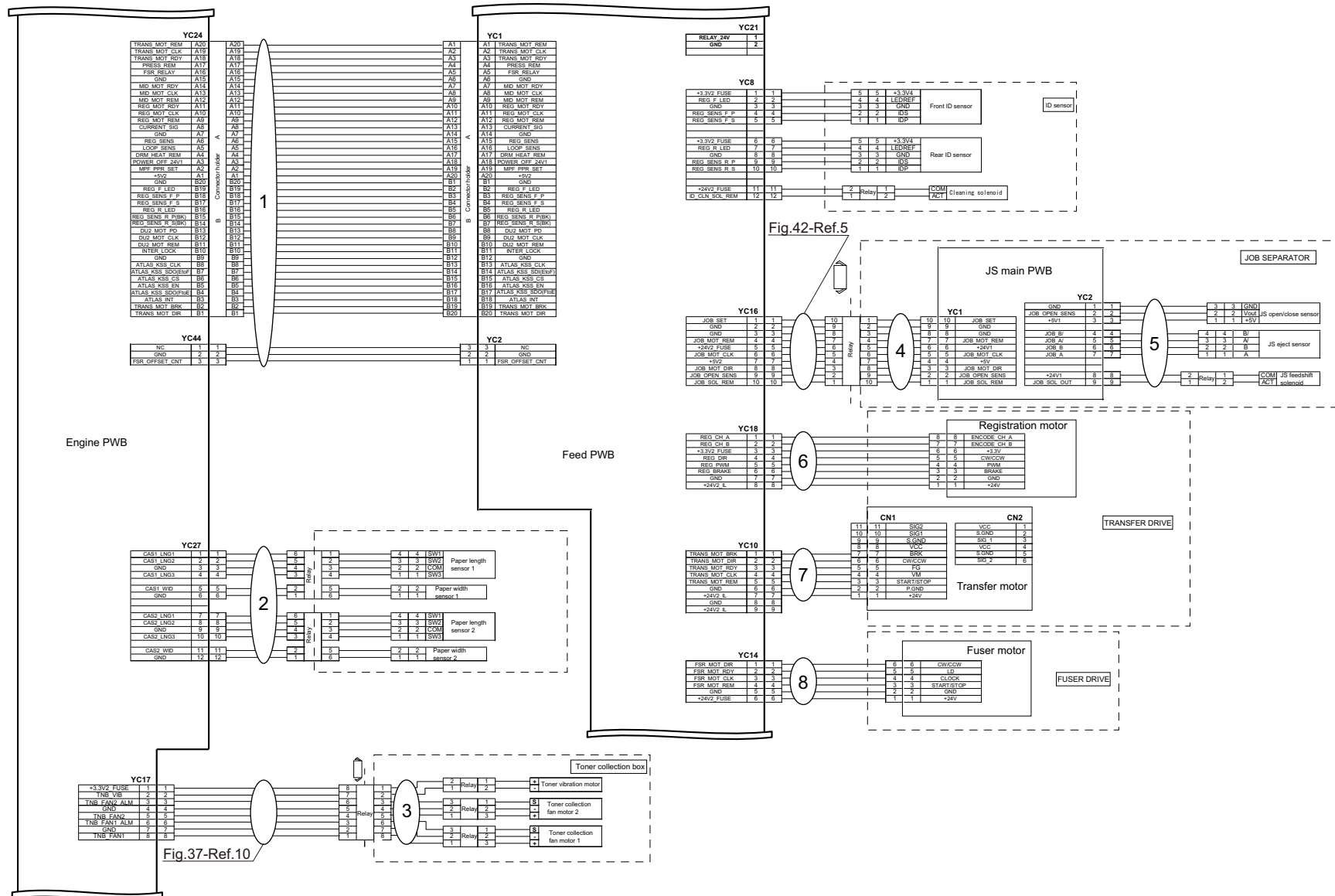


FIG. 43 Wire sections 7 Feed-1

2XP/2XN

| Ref No. | Part.No. | Description | Notes | Revision | Quantity | | | |
|---------|------------|---------------------------------------|-----------------------------|----------|----------|-----|-----|-----|
| | | | | | 100 | 120 | 230 | 240 |
| 1 | 302NH46140 | CONN.CORD ASSY FEED1 | Relative Fig.No.:47, 48, 49 | | 1 | 1 | 1 | 1 |
| 2 | 302NH46200 | CONN.CORD ASSY LIFT MOTOR | Relative Fig.No.:45 | | 1 | 1 | 1 | 1 |
| 3 | 302NH46B00 | CONN.CORD ASSY TONER DUCT FAN A JOINT | | | 1 | 1 | 1 | 1 |
| 4 | 303NM46010 | WIRE INTERFACE | | | 1 | 1 | 1 | 1 |
| 5 | 303NM46020 | WIRE JOB SEPARATOR | | | 1 | 1 | 1 | 1 |
| 6 | 302NH46220 | CONN.CORD ASSY REGIST MOTOR | | | 1 | 1 | 1 | 1 |
| 7 | 302NH46210 | CONN.CORD ASSY MIDDLE TRANSFER MOTOR | | | 1 | 1 | 1 | 1 |
| 8 | 302NH46020 | CONN.CORD ASSY FUSER MOTOR H | | | 1 | 1 | 1 | 1 |
| | | | | | | | | |
| | | | | | | | | |
| | | | | | | | | |
| | | | | | | | | |
| | | | | | | | | |
| | | | | | | | | |
| | | | | | | | | |
| | | | | | | | | |
| | | | | | | | | |
| | | | | | | | | |
| | | | | | | | | |
| | | | | | | | | |
| | | | | | | | | |
| | | | | | | | | |
| | | | | | | | | |
| | | | | | | | | |
| | | | | | | | | |
| | | | | | | | | |
| | | | | | | | | |

• Wire Section indicates all the wires/FFCs containing them in other FIGs.

• Wire Section には全ての電線 /FFC (他 FIG の電線 /FFC 含む) を掲載しています。

FIG. 44 Wire sections 8 Feed-2

2XP/2XN

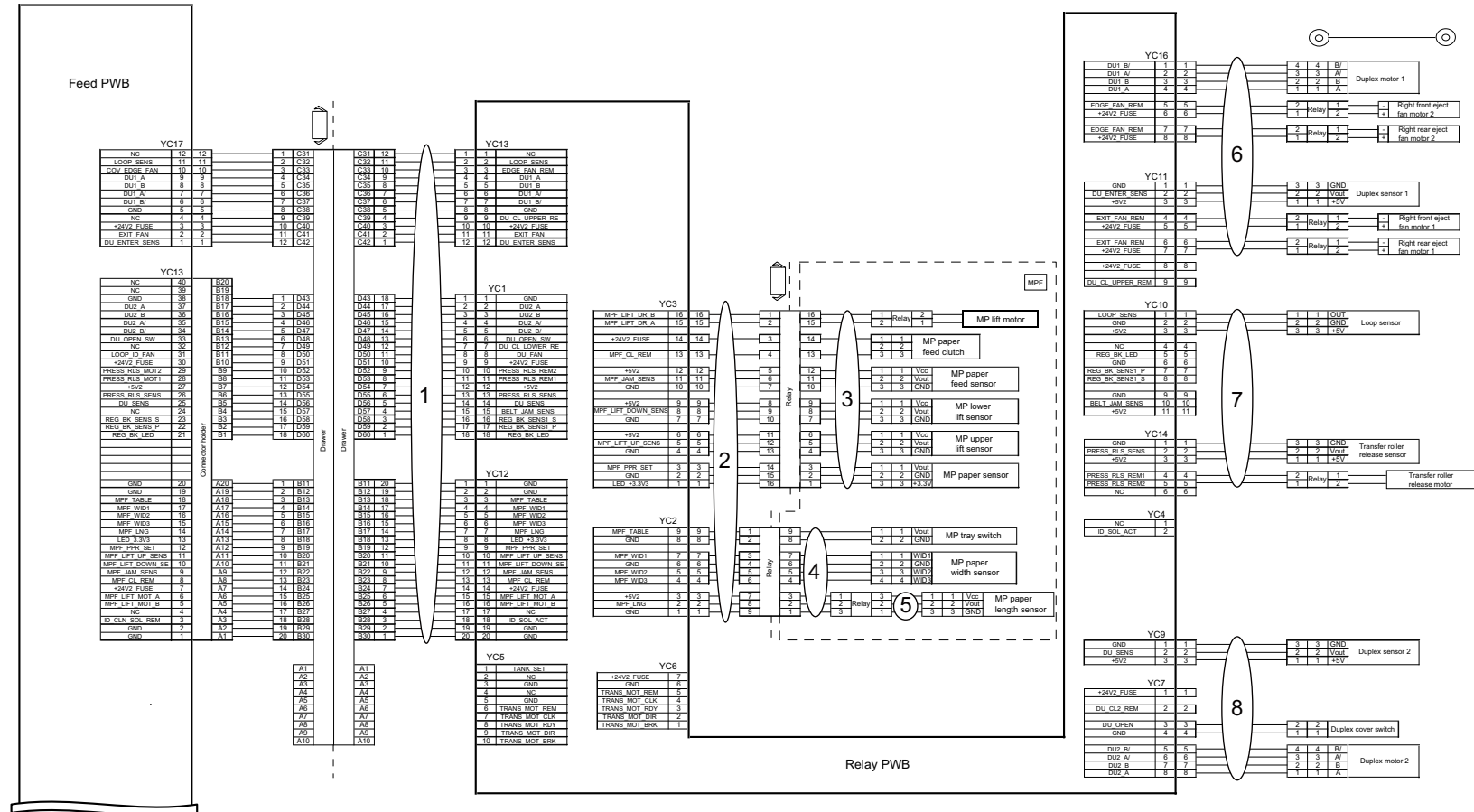


FIG. 44 Wire sections 8 Feed-2

2XP/2XN

| Ref No. | Part.No. | Description | Notes | Revision | Quantity | | | |
|------------|------------|--------------------------|-------|----------|----------|-----|-----|-----|
| | | | | | 100 | 120 | 230 | 240 |
| 1 | 302NH46840 | CONN.CORD ASSY CONVEYING | | | 1 | 1 | 1 | 1 |
| 2 | 302LC46480 | WIRE MPF JOINT | | | 1 | 1 | 1 | 1 |
| 3 | 302K946370 | WIRE MPF | | | 1 | 1 | 1 | 1 |
| 4 | 302K946380 | WIRE MPF TRAY | | | 1 | 1 | 1 | 1 |
| 5 | 302K946600 | WIRE MPF SIZE DETECTION | | | 1 | 1 | 1 | 1 |
| 6 | 302LC46240 | WIRE DU UPPER | | | 1 | 1 | 1 | 1 |
| 7 | 302NH46820 | CONN.CORD ASSY DU LOW | | | 1 | 1 | 1 | 1 |
| 8 | 302NH46830 | CONN.CORD ASSY DU SENSOR | | | 1 | 1 | 1 | 1 |
| | | | | | | | | |
| | | | | | | | | |
| | | | | | | | | |
| | | | | | | | | |
| | | | | | | | | |
| | | | | | | | | |
| | | | | | | | | |
| | | | | | | | | |
| | | | | | | | | |
| | | | | | | | | |
| | | | | | | | | |
| | | | | | | | | |
| | | | | | | | | |
| | | | | | | | | |
| | | | | | | | | |
| | | | | | | | | |
| | | | | | | | | |
| | | | | | | | | |
| | | | | | | | | |
| | | | | | | | | |
| | | | | | | | | |
| | | | | | | | | |
| | | | | | | | | |
| | | | | | | | | |
| | | | | | | | | |

• Wire Section indicates all the wires/FFCs containing them in other FIGs.

• Wire Section には全ての電線 /FFC (他 FIG の電線 /FFC 含む) を掲載しています。

FIG. 45 Wire sections 9 Feed-3

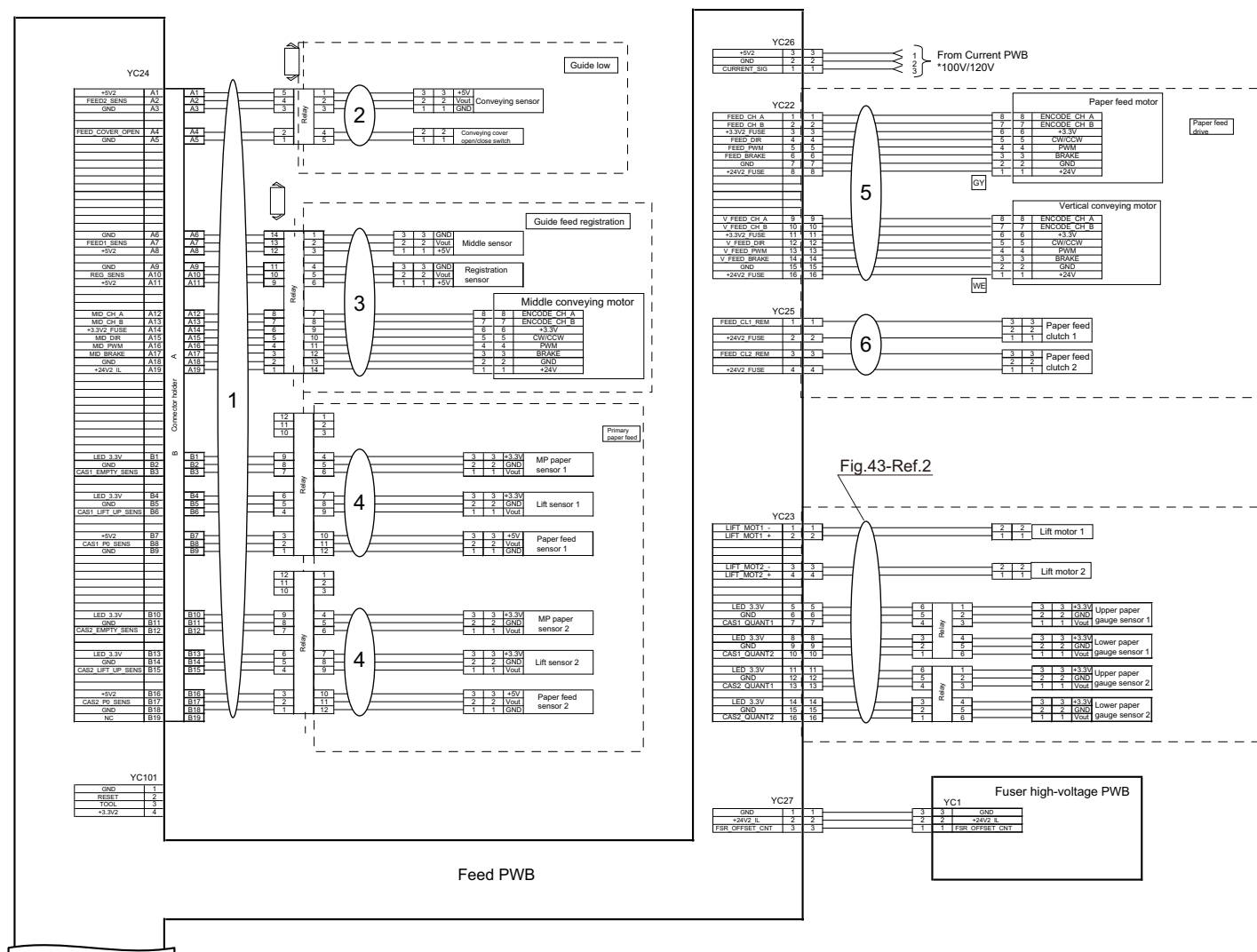


FIG. 45 Wire sections 9 Feed-3

2XP/2XN

| Ref No. | Part.No. | Description | Notes | Revision | Quantity | | | |
|---------|------------|----------------------------------|-------|----------|----------|-----|-----|-----|
| | | | | | 100 | 120 | 230 | 240 |
| 1 | 302NH46260 | CONN.CORD ASSY FEED JOINT | | | 1 | 1 | 1 | 1 |
| 2 | 302NH46710 | CONN.CORD ASSY GUIDE FEED LOW | | | 1 | 1 | 1 | 1 |
| 3 | 302NH46360 | CONN.CORD ASSY GUIDE FEED MIDDLE | | | 1 | 1 | 1 | 1 |
| 4 | 302N446280 | WIRE PRIMARY FEED UNIT | | | 2 | 2 | 2 | 2 |
| 5 | 302NH46350 | CONN.CORD ASSY FEED MOTOR | | | 1 | 1 | 1 | 1 |
| 6 | 302NH46340 | CONN.CORD ASSY FEED CLUTCH | | | 1 | 1 | 1 | 1 |
| | | | | | | | | |
| | | | | | | | | |
| | | | | | | | | |
| | | | | | | | | |
| | | | | | | | | |
| | | | | | | | | |
| | | | | | | | | |
| | | | | | | | | |
| | | | | | | | | |
| | | | | | | | | |
| | | | | | | | | |
| | | | | | | | | |
| | | | | | | | | |
| | | | | | | | | |
| | | | | | | | | |
| | | | | | | | | |
| | | | | | | | | |
| | | | | | | | | |
| | | | | | | | | |
| | | | | | | | | |
| | | | | | | | | |

• Wire Section indicates all the wires/FFCs containing them in other FIGs.

• Wire Section には全ての電線 /FFC（他 FIG の電線 /FFC 含む）を掲載しています。

FIG. 46 Wire sections 10 Motor

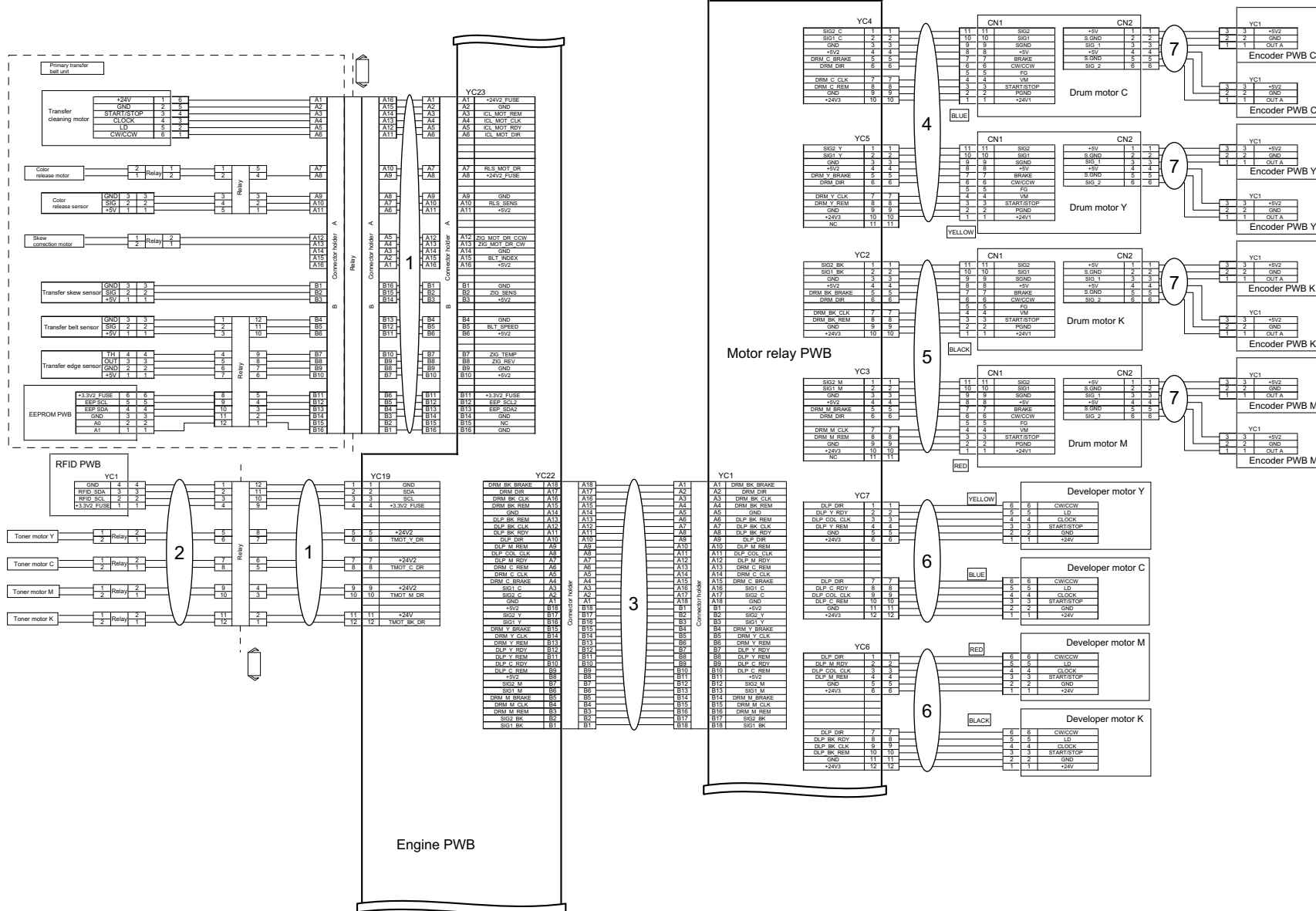


FIG. 46 Wire sections 10 Motor

2XP/2XN

| Ref No. | Part.No. | Description | Notes | Revision | Quantity | | | |
|------------|------------|-------------------------------|-------|----------|----------|-----|-----|-----|
| | | | | | 100 | 120 | 230 | 240 |
| 1 | 302NH46240 | CONN.CORD ASSY TRANSFER JOINT | | | 1 | 1 | 1 | 1 |
| 2 | 302K946350 | WIRE CONTAINER MOTOR | | | 1 | 1 | 1 | 1 |
| 3 | 302NH46080 | CONN.CORD ASSY MOTOR JUNCTION | | | 1 | 1 | 1 | 1 |
| 4 | 302NH46A00 | CONN.CORD ASSY DRUM MOT2 | | | 1 | 1 | 1 | 1 |
| 5 | 302NH46090 | CONN.CORD ASSY DRUM MOT | | | 1 | 1 | 1 | 1 |
| 6 | 302NH46030 | CONN.CORD ASSY DLP MOT | | | 2 | 2 | 2 | 2 |
| 7 | 302K946300 | WIRE ENCODER | | | 4 | 4 | 4 | 4 |
| | | | | | | | | |
| | | | | | | | | |
| | | | | | | | | |
| | | | | | | | | |
| | | | | | | | | |
| | | | | | | | | |
| | | | | | | | | |
| | | | | | | | | |
| | | | | | | | | |
| | | | | | | | | |
| | | | | | | | | |
| | | | | | | | | |
| | | | | | | | | |
| | | | | | | | | |
| | | | | | | | | |
| | | | | | | | | |
| | | | | | | | | |
| | | | | | | | | |
| | | | | | | | | |
| | | | | | | | | |
| | | | | | | | | |
| | | | | | | | | |
| | | | | | | | | |
| | | | | | | | | |
| | | | | | | | | |
| | | | | | | | | |
| | | | | | | | | |
| | | | | | | | | |
| | | | | | | | | |
| | | | | | | | | |
| | | | | | | | | |
| | | | | | | | | |
| | | | | | | | | |
| | | | | | | | | |
| | | | | | | | | |
| | | | | | | | | |
| | | | | | | | | |
| | | | | | | | | |
| | | | | | | | | |
| | | | | | | | | |
| | | | | | | | | |
| | | | | | | | | |
| | | | | | | | | |
| | | | | | | | | |

• Wire Section indicates all the wires/FFCs containing them in other FIGs.

• Wire Section には全ての電線 /FFC (他 FIG の電線 /FFC 含む) を掲載しています。

FIG. 47 Wire sections 11 LVU-HVU(100V)

2XP/2XN

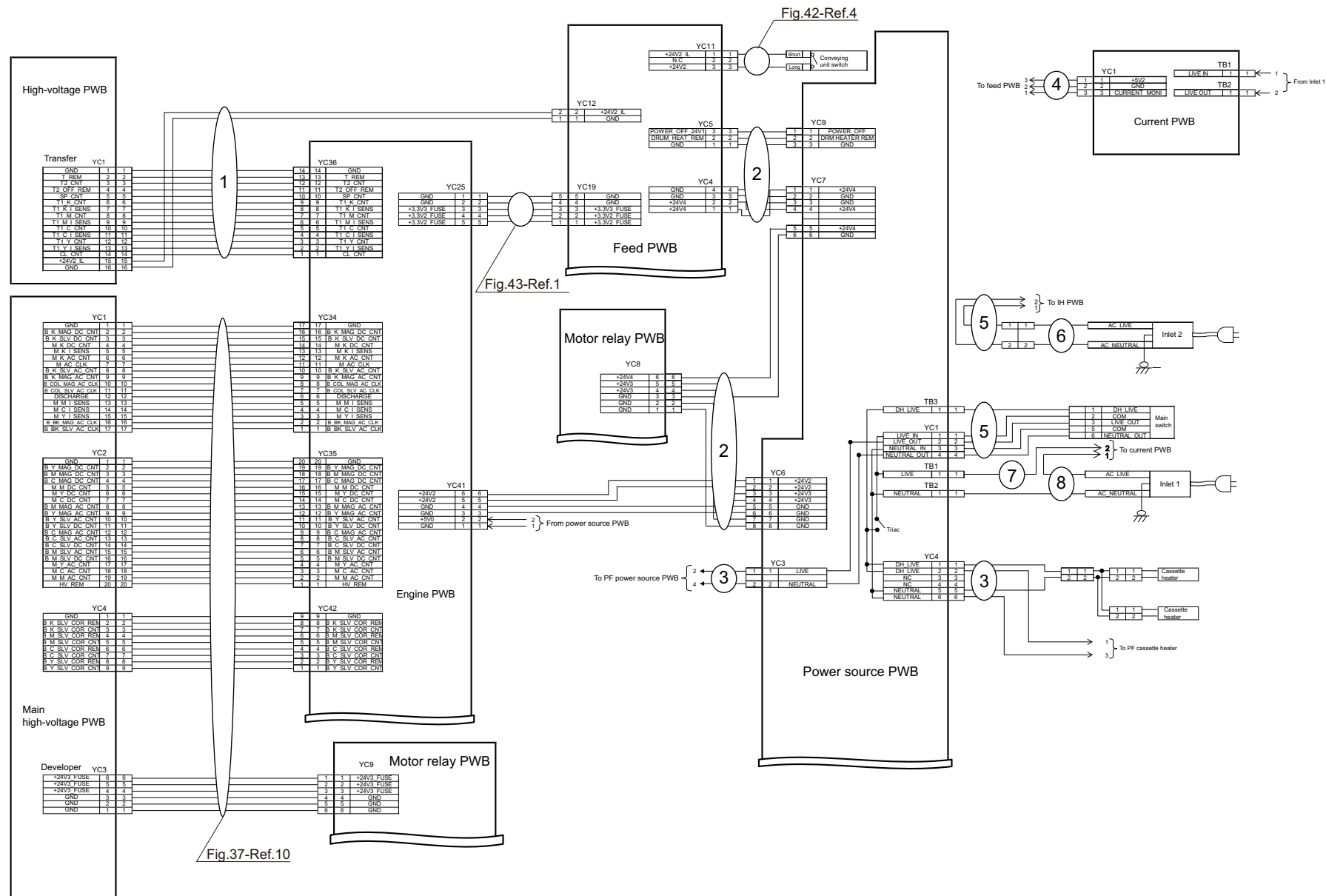


FIG. 47 Wire sections 11 LVU-HVU(100V)

2XP/2XN

| Ref No. | Part.No. | Description | Notes | Revision | Quantity | | | |
|---------|------------|----------------------------------|---------------------|----------|----------|-----|-----|-----|
| | | | | | 100 | 120 | 230 | 240 |
| 1 | 302NH46440 | CONN.CORD ASSY HVU T1 | | | 1 | | | |
| 2 | 302NH46100 | CONN.CORD ASSY LVU FEED | Relative Fig.No.:50 | | 1 | | | |
| 3 | 302NH46250 | CONN.CORD ASSY CASSETTE HEATER M | | | 1 | | | |
| 4 | 302NH46280 | CONN.CORD ASSY CURRENT PWB | | | 1 | | | |
| 5 | 302NH46380 | CONN.CORD ASSY MAIN SWITCH | | | 1 | | | |
| 6 | 302N246080 | WIRE INLET ASSY | | | 1 | | | |
| 7 | 302NH46290 | CONN.CORD ASSY CURRENT PWB POWER | | | 1 | | | |
| 8 | 302NH46320 | CONN.CORD ASSY INLET ASSY 1 | | | 1 | | | |
| | | | | | | | | |
| | | | | | | | | |
| | | | | | | | | |
| | | | | | | | | |
| | | | | | | | | |
| | | | | | | | | |
| | | | | | | | | |
| | | | | | | | | |
| | | | | | | | | |
| | | | | | | | | |
| | | | | | | | | |
| | | | | | | | | |
| | | | | | | | | |
| | | | | | | | | |
| | | | | | | | | |
| | | | | | | | | |
| | | | | | | | | |
| | | | | | | | | |

• Wire Section indicates all the wires/FFCs containing them in other FIGs.

• Wire Section には全ての電線 /FFC (他 FIG の電線 /FFC 含む) を掲載しています。

FIG. 48 Wire sections 11 LVU-HVU(120V)

2XP/2XN

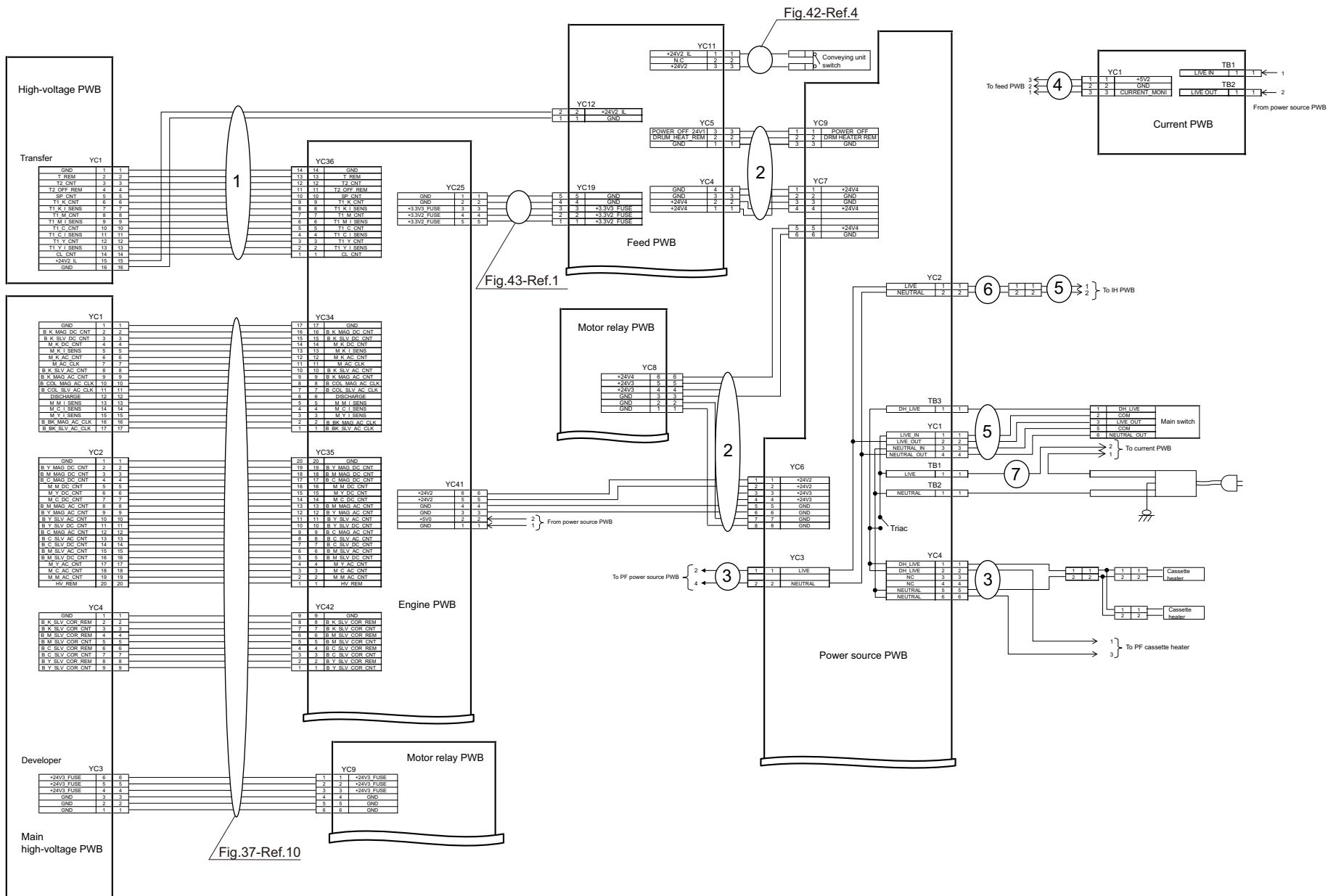


FIG. 48 Wire sections 11 LVU-HVU(120V)

2XP/2XN

| Ref No. | Part.No. | Description | Notes | Revision | Quantity | | | |
|---------|------------|----------------------------------|---------------------|----------|----------|-----|-----|-----|
| | | | | | 100 | 120 | 230 | 240 |
| 1 | 302NH46440 | CONN.CORD ASSY HVU T1 | | | | 1 | | |
| 2 | 302NH46100 | CONN.CORD ASSY LVU FEED | Relative Fig.No.:50 | | | 1 | | |
| 3 | 302NH46250 | CONN.CORD ASSY CASSETTE HEATER M | | | | 1 | | |
| 4 | 302NH46280 | CONN.CORD ASSY CURRENT PWB | | | | 1 | | |
| 5 | 302NH46380 | CONN.CORD ASSY MAIN SWITCH | | | | 1 | | |
| 6 | 302NH46560 | CONN.CORD ASSY MAIN SWITCH E | | | | 1 | | |
| 7 | 302NH46290 | CONN.CORD ASSY CURRENT PWB POWER | | | | 1 | | |

• Wire Section indicates all the wires/FFCs containing them in other FIGs.

• Wire Section には全ての電線 /FFC（他 FIG の電線 /FFC 含む）を掲載しています。

FIG. 49 Wire sections 11 LVU-HVU(220-240V)

2XP/2XN

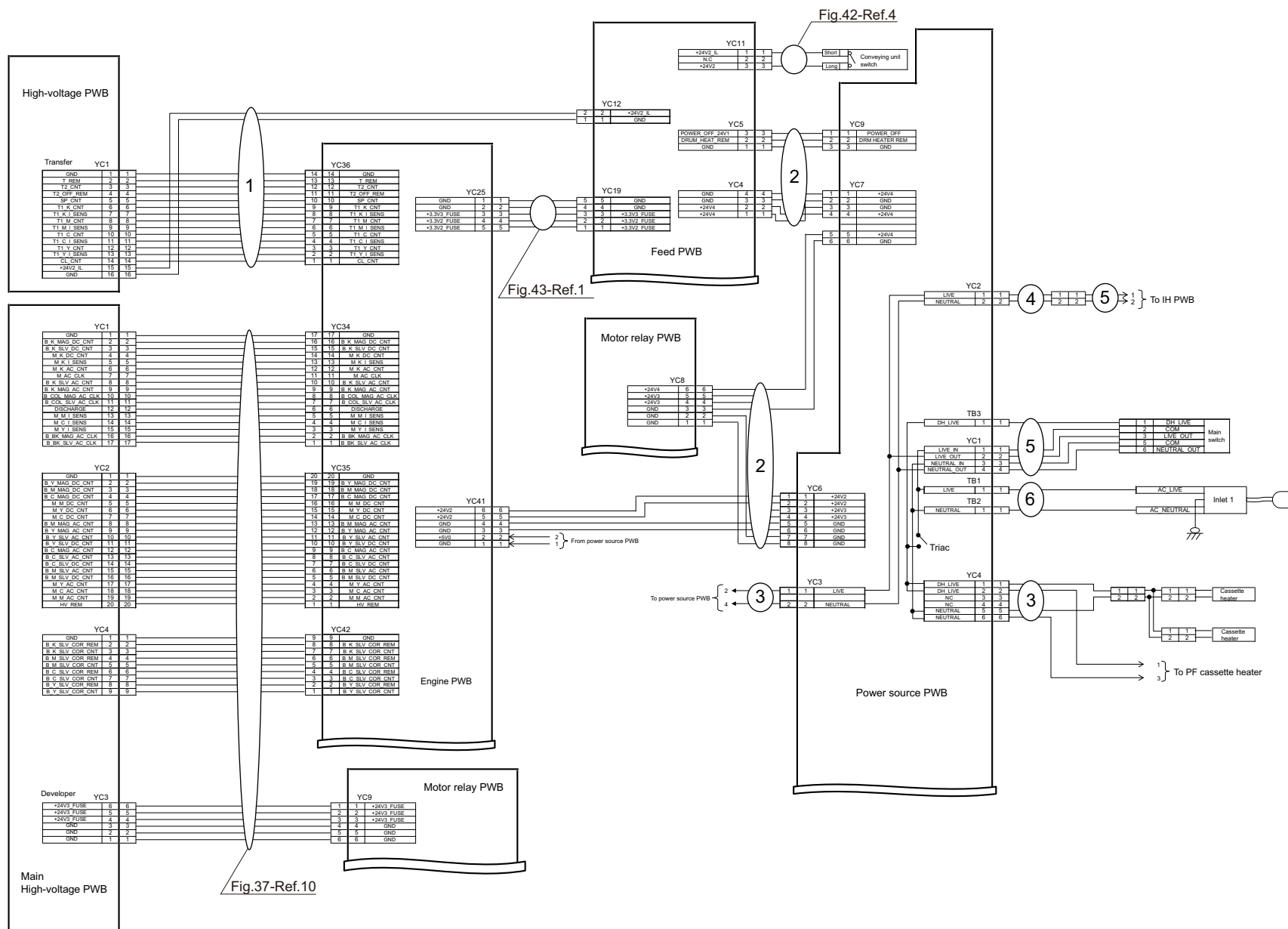


FIG. 49 Wire sections 11 LVU-HVU(220-240V)

2XP/2XN

| Ref No. | Part.No. | Description | Notes | Revision | Quantity | | | |
|---------|------------|----------------------------------|---------------------|----------|----------|-----|-----|-----|
| | | | | | 100 | 120 | 230 | 240 |
| 1 | 302NH46440 | CONN.CORD ASSY HVU T1 | Relative Fig.No.:50 | | | 1 | 1 | |
| 2 | 302NH46100 | CONN.CORD ASSY LVU FEED | | | | 1 | 1 | |
| 3 | 302NH46250 | CONN.CORD ASSY CASSETTE HEATER M | | | | 1 | 1 | |
| 4 | 302NH46560 | CONN.CORD ASSY MAIN SWITCH E | | | | 1 | 1 | |
| 5 | 302NH46380 | CONN.CORD ASSY MAIN SWITCH | | | | 1 | 1 | |
| 6 | 302NH46320 | CONN.CORD ASSY INLET ASSY 1 | | | | 1 | 1 | |
| | | | | | | | | |
| | | | | | | | | |
| | | | | | | | | |
| | | | | | | | | |
| | | | | | | | | |
| | | | | | | | | |
| | | | | | | | | |
| | | | | | | | | |
| | | | | | | | | |
| | | | | | | | | |
| | | | | | | | | |
| | | | | | | | | |
| | | | | | | | | |
| | | | | | | | | |
| | | | | | | | | |
| | | | | | | | | |
| | | | | | | | | |
| | | | | | | | | |
| | | | | | | | | |
| | | | | | | | | |
| | | | | | | | | |
| | | | | | | | | |
| | | | | | | | | |
| | | | | | | | | |
| | | | | | | | | |
| | | | | | | | | |
| | | | | | | | | |
| | | | | | | | | |

• Wire Section indicates all the wires/FFCs containing them in other FIGs.

• Wire Section には全ての電線 /FFC (他 FIG の電線 /FFC 含む) を掲載しています。

FIG. 50 Wire sections 12 CCD

2XP/2XN

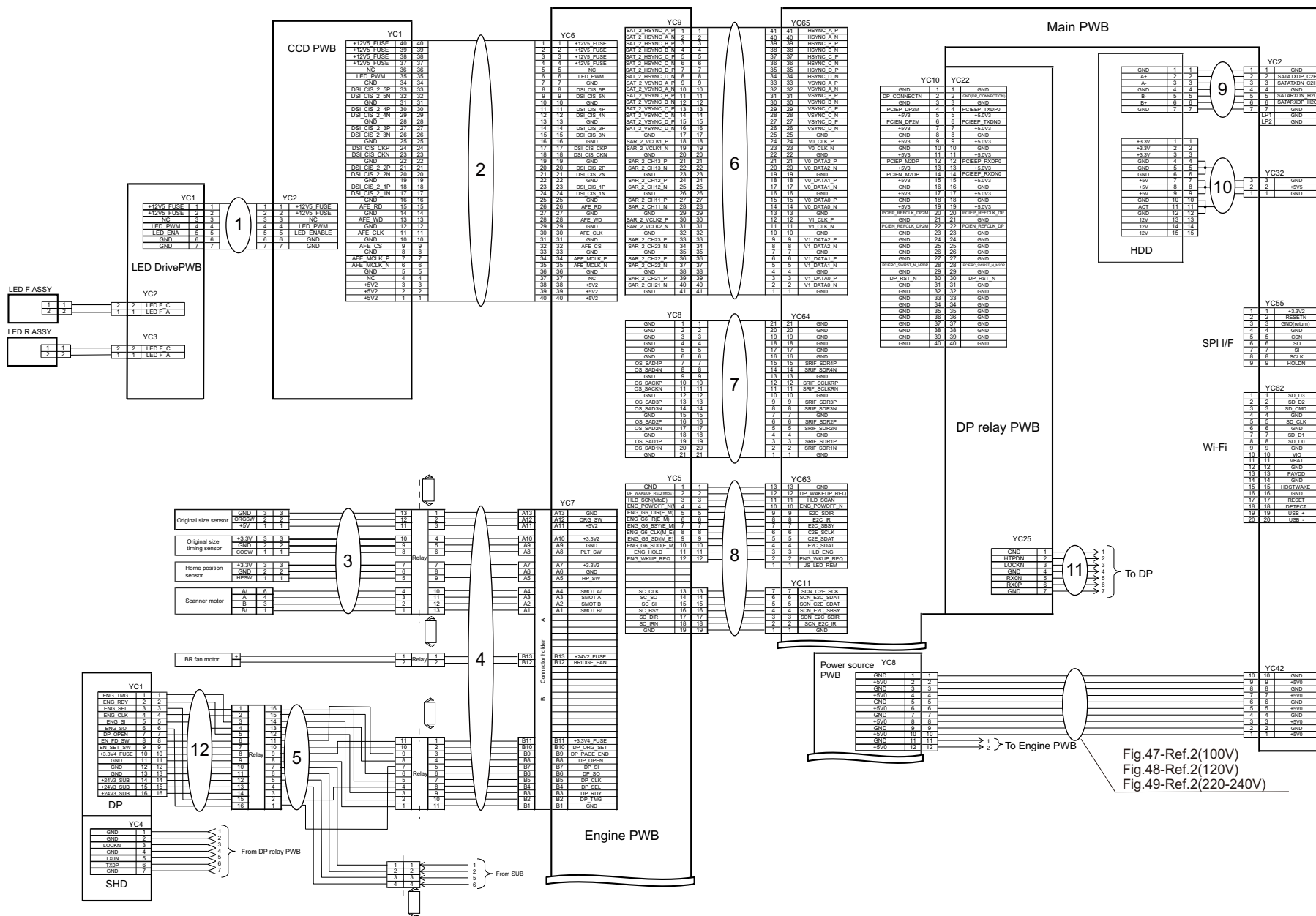


Fig.47-Ref.2(100V)
Fig.48-Ref.2(120V)
Fig.49-Ref.2(220-240V)

FIG. 50 Wire sections 12 CCD

2XP/2XN

| Ref No. | Part.No. | Description | Notes | Revision | Quantity | | | |
|---------|------------|----------------------------------|---------------------|----------|----------|-----|-----|-----|
| | | | | | 100 | 120 | 230 | 240 |
| 1 | 302V646110 | CONN.CORD ASSY FFC LED | | | 1 | 1 | 1 | 1 |
| 2 | 302NH94510 | PARTS FFC CCD SET SP | | | 1 | 1 | 1 | 1 |
| 3 | 302NH46520 | CONN.CORD ASSY ISU | | | 1 | 1 | 1 | 1 |
| 4 | 302NH46190 | CONN.CORD ASSY ISU SENSOR | | | 1 | 1 | 1 | 1 |
| 5 | 302NH46530 | CONN.CORD ASSY DP | | | 1 | 1 | 1 | 1 |
| 6 | 302XT46040 | CONN.CORD ASSY FFC MAIN-ENGINE | | | 1 | 1 | 1 | 1 |
| 7 | 302NH46990 | CONN.CORD ASSY FFC MAIN-ENGINE 2 | | | 1 | 1 | 1 | 1 |
| 8 | 302NH46500 | CONN.CORD ASSY ENGINE-MAIN | | | 1 | 1 | 1 | 1 |
| 9 | 303R446080 | WIRE CIS DATA | | | 1 | 1 | 1 | 1 |
| 10 | 302NH46580 | CONN.CORD ASSY HDD POWER | | | 1 | 1 | 1 | 1 |
| 11 | 302NH46860 | CONN.CORD ASSY DPIF | | | 1 | 1 | 1 | 1 |
| 12 | 303R846010 | WIRE INTERFACE | Relative Fig.No.:53 | | 1 | 1 | 1 | 1 |

• Wire Section indicates all the wires/FFCs containing them in other FIGs.

• Wire Section には全ての電線 /FFC (他 FIG の電線 /FFC 含む) を掲載しています。

FIG. 51 Wire sections 13 Panel-Main

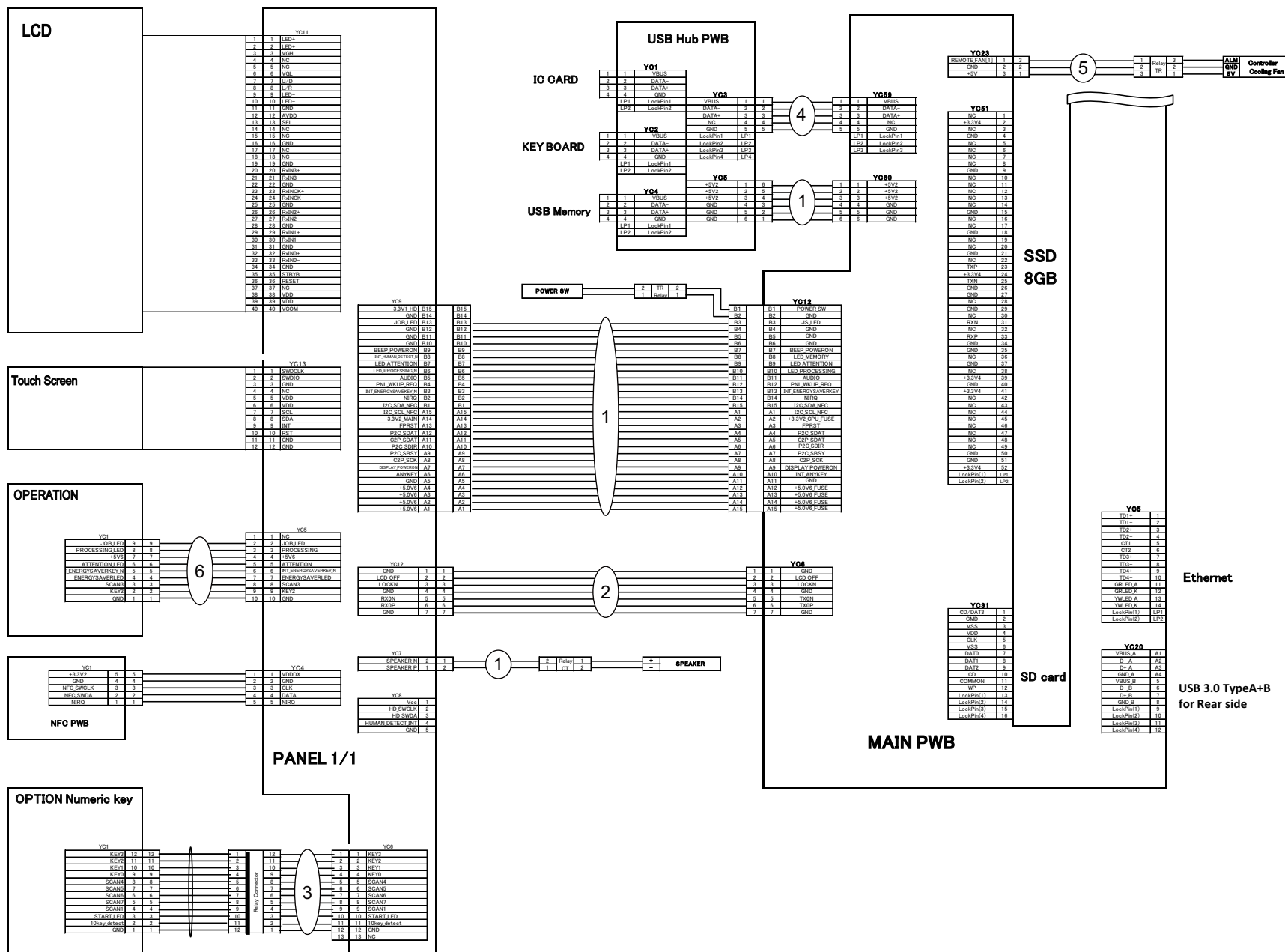


FIG. 51 Wire sections 13 Panel-Main

2XP/2XN

| Ref No. | Part.No. | Description | Notes | Revision | Quantity | | | |
|---------|------------|-------------------------------|-------|----------|----------|-----|-----|-----|
| | | | | | 100 | 120 | 230 | 240 |
| 1 | 302XT46010 | CONN.CORD ASSY MAIN-OPERATION | | | 1 | 1 | 1 | 1 |
| 2 | 302XT46020 | CONN.CORD ASSY PANEL DATA | | | 1 | 1 | 1 | 1 |
| 3 | 302V846080 | CONN.CORD ASSY 10KEY JOINT | | | 1 | 1 | 1 | 1 |
| 4 | 302NH46590 | CONN.CORD ASSY USB HUB | | | 1 | 1 | 1 | 1 |
| 5 | 302NH46620 | CONN.CORD ASSY CONT FAN | | | 1 | 1 | 1 | 1 |
| 6 | 302V846070 | CONN.CORD ASSY OPERATION | | | 1 | 1 | 1 | 1 |
| | | | | | | | | |
| | | | | | | | | |
| | | | | | | | | |
| | | | | | | | | |
| | | | | | | | | |
| | | | | | | | | |
| | | | | | | | | |
| | | | | | | | | |
| | | | | | | | | |
| | | | | | | | | |
| | | | | | | | | |
| | | | | | | | | |
| | | | | | | | | |
| | | | | | | | | |
| | | | | | | | | |
| | | | | | | | | |
| | | | | | | | | |
| | | | | | | | | |
| | | | | | | | | |
| | | | | | | | | |
| | | | | | | | | |
| | | | | | | | | |
| | | | | | | | | |
| | | | | | | | | |

• Wire Section indicates all the wires/FFCs containing them in other FIGs.

• Wire Section には全ての電線 /FFC (他 FIG の電線 /FFC 含む) を掲載しています。

FIG. 52 Wire sections 14 Main

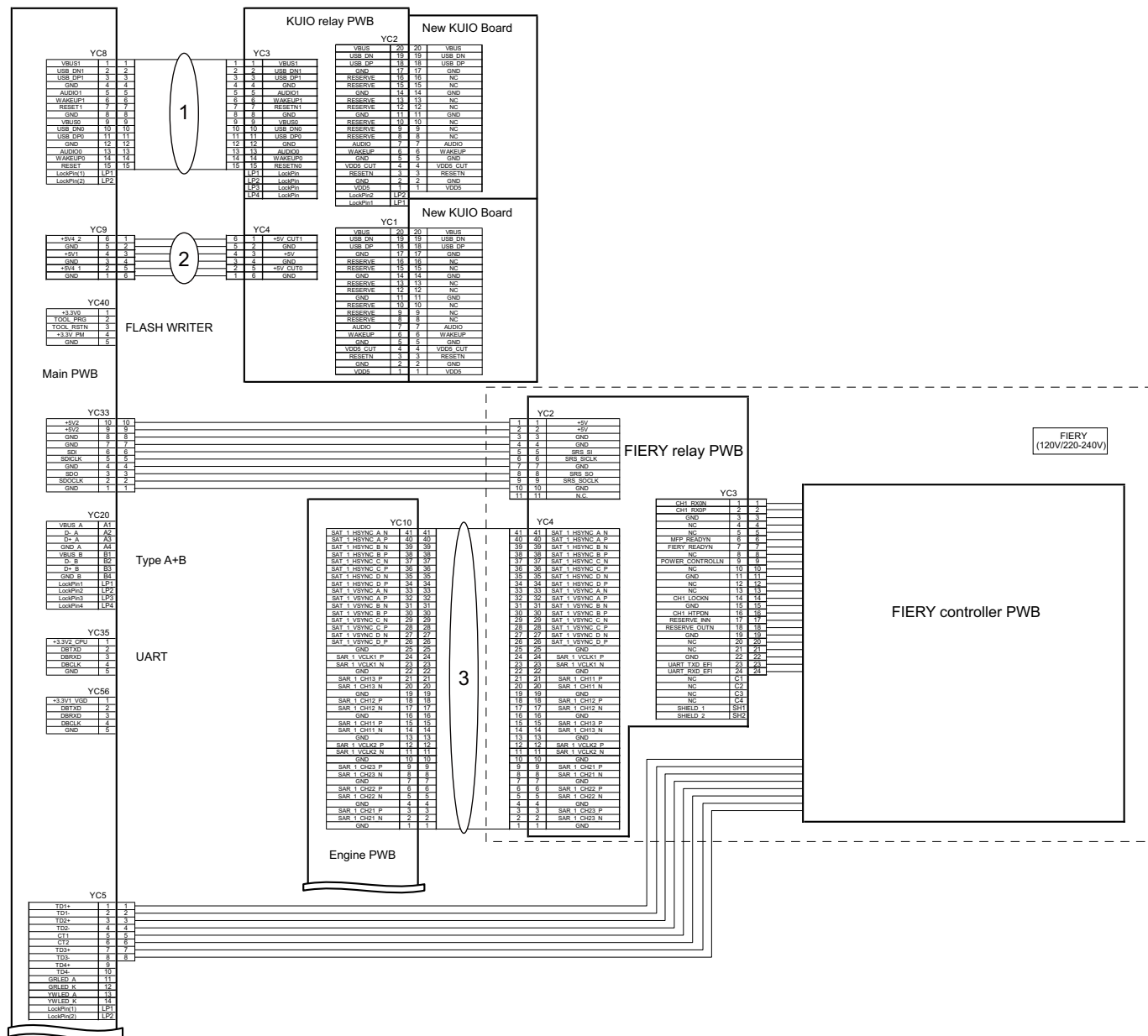


FIG. 53 Wire sections 15 DP

2XP/2XN

| Ref No. | Part.No. | Description | Notes | Revision | Quantity | | | |
|---------|------------|----------------------|-------|----------|----------|-----|-----|-----|
| | | | | | 100 | 120 | 230 | 240 |
| 1 | 303M446120 | WIRE CISTMG | | | 1 | 1 | 1 | 1 |
| 2 | 303R846020 | WIRE INTERFACE VIDEO | | | 1 | 1 | 1 | 1 |
| 3 | 303R846030 | WIRE LED | | | 1 | 1 | 1 | 1 |
| 4 | 303M446150 | WIRE FAN | | | 1 | 1 | 1 | 1 |
| 5 | 303NW46011 | WIRE FEED UNIT | | | 1 | 1 | 1 | 1 |
| 6 | 303M446040 | WIRE TABLE UNIT | | | 1 | 1 | 1 | 1 |
| 7 | 303M446050 | WIRE MOTOR1 | | | 1 | 1 | 1 | 1 |
| 8 | 303M446080 | WIRE FRONT | | | 1 | 1 | 1 | 1 |
| 9 | 303M446100 | WIRE CIS FAN | | | 1 | 1 | 1 | 1 |
| 10 | 303M446110 | WIRE SHD | | | 1 | 1 | 1 | 1 |
| | | | | | | | | |
| | | | | | | | | |
| | | | | | | | | |
| | | | | | | | | |
| | | | | | | | | |
| | | | | | | | | |
| | | | | | | | | |
| | | | | | | | | |
| | | | | | | | | |
| | | | | | | | | |
| | | | | | | | | |
| | | | | | | | | |
| | | | | | | | | |
| | | | | | | | | |
| | | | | | | | | |
| | | | | | | | | |
| | | | | | | | | |

• Wire Section indicates all the wires/FFCs containing them in other FIGs.

• Wire Section には全ての電線 /FFC (他 FIG の電線 /FFC 含む) を掲載しています。

FIG. 54 Wire sections 16 PF-Deck

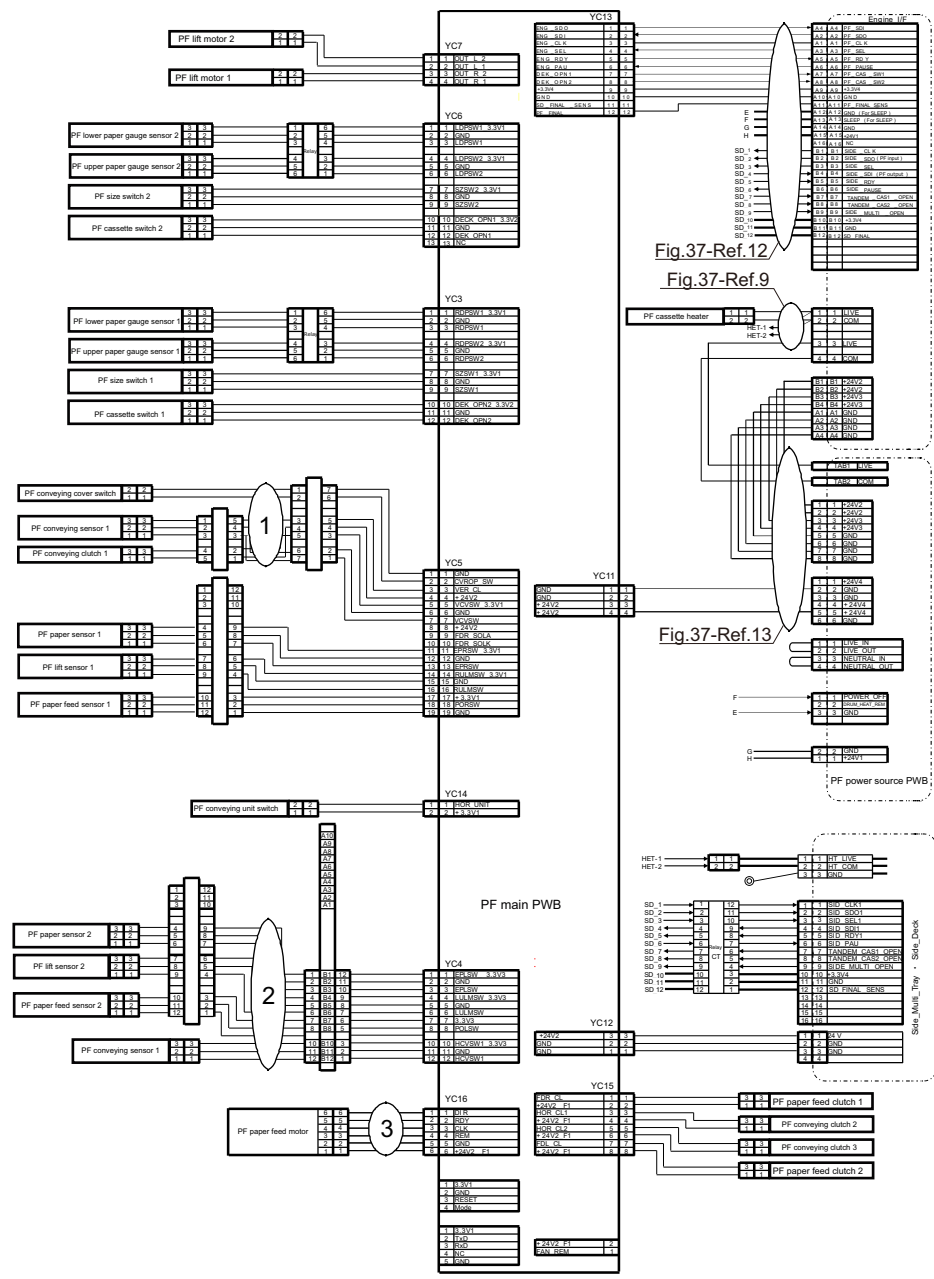


FIG. 54 Wire sections 16 PF-Deck

2XP/2XN

| Ref No. | Part.No. | Description | Notes | Revision | Quantity | | | |
|---------|------------|------------------|-------|----------|----------|-----|-----|-----|
| | | | | | 100 | 120 | 230 | 240 |
| 1 | 303NF46130 | WIRE VERTICAL 1 | | | 1 | 1 | 1 | 1 |
| 2 | 303NF46220 | WIRE LEFT DECK 2 | | | 1 | 1 | 1 | 1 |
| 3 | 303NF46170 | WIRE MAIN MOTOR | | | 1 | 1 | 1 | 1 |
| | | | | | | | | |
| | | | | | | | | |
| | | | | | | | | |
| | | | | | | | | |
| | | | | | | | | |
| | | | | | | | | |
| | | | | | | | | |
| | | | | | | | | |
| | | | | | | | | |
| | | | | | | | | |
| | | | | | | | | |
| | | | | | | | | |
| | | | | | | | | |
| | | | | | | | | |
| | | | | | | | | |
| | | | | | | | | |
| | | | | | | | | |
| | | | | | | | | |
| | | | | | | | | |
| | | | | | | | | |
| | | | | | | | | |
| | | | | | | | | |
| | | | | | | | | |
| | | | | | | | | |
| | | | | | | | | |
| | | | | | | | | |
| | | | | | | | | |
| | | | | | | | | |
| | | | | | | | | |
| | | | | | | | | |
| | | | | | | | | |
| | | | | | | | | |
| | | | | | | | | |
| | | | | | | | | |
| | | | | | | | | |
| | | | | | | | | |
| | | | | | | | | |
| | | | | | | | | |
| | | | | | | | | |
| | | | | | | | | |
| | | | | | | | | |
| | | | | | | | | |
| | | | | | | | | |
| | | | | | | | | |

• Wire Section indicates all the wires/FFCs containing them in other FIGs.

• Wire Section には全ての電線 /FFC (他 FIG の電線 /FFC 含む) を掲載しています。

FIG. 55 DP Unit

2XP/2XN

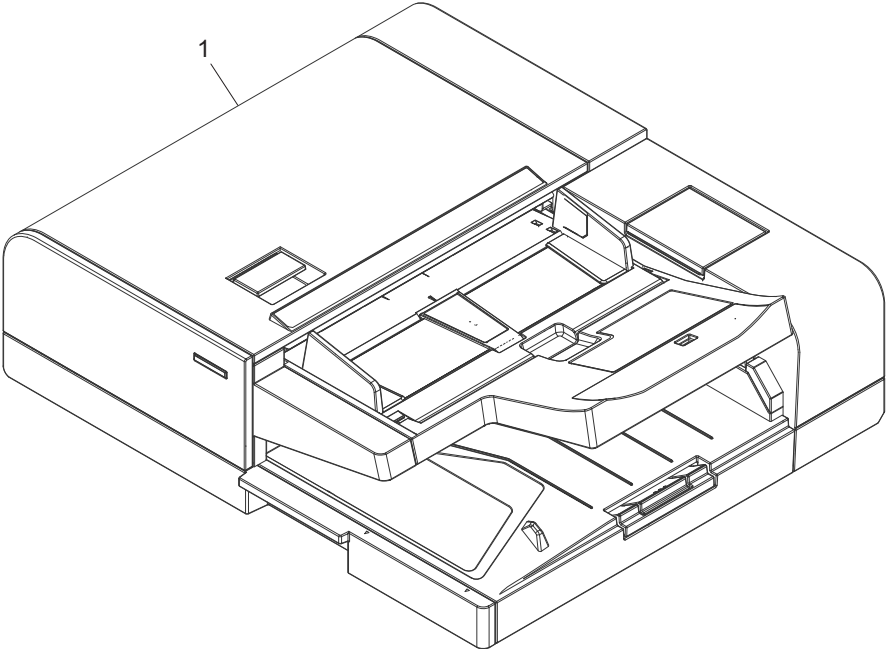


FIG. 55 DP Unit

2XP/2XN

| Ref No. | Part.No. | Description | Notes | Revision | Quantity | | | |
|---------|------------|-------------|-------|----------|----------|-----|-----|-----|
| | | | | | 100 | 120 | 230 | 240 |
| 1 | 302NH93161 | DP UNIT SP | | | 1 | 1 | 1 | 1 |
| | | | | | | | | |
| | | | | | | | | |
| | | | | | | | | |
| | | | | | | | | |
| | | | | | | | | |
| | | | | | | | | |
| | | | | | | | | |
| | | | | | | | | |
| | | | | | | | | |
| | | | | | | | | |
| | | | | | | | | |
| | | | | | | | | |
| | | | | | | | | |
| | | | | | | | | |
| | | | | | | | | |
| | | | | | | | | |
| | | | | | | | | |
| | | | | | | | | |
| | | | | | | | | |
| | | | | | | | | |
| | | | | | | | | |
| | | | | | | | | |
| | | | | | | | | |

FIG. 56 Covers(DP)

2XP/2XN

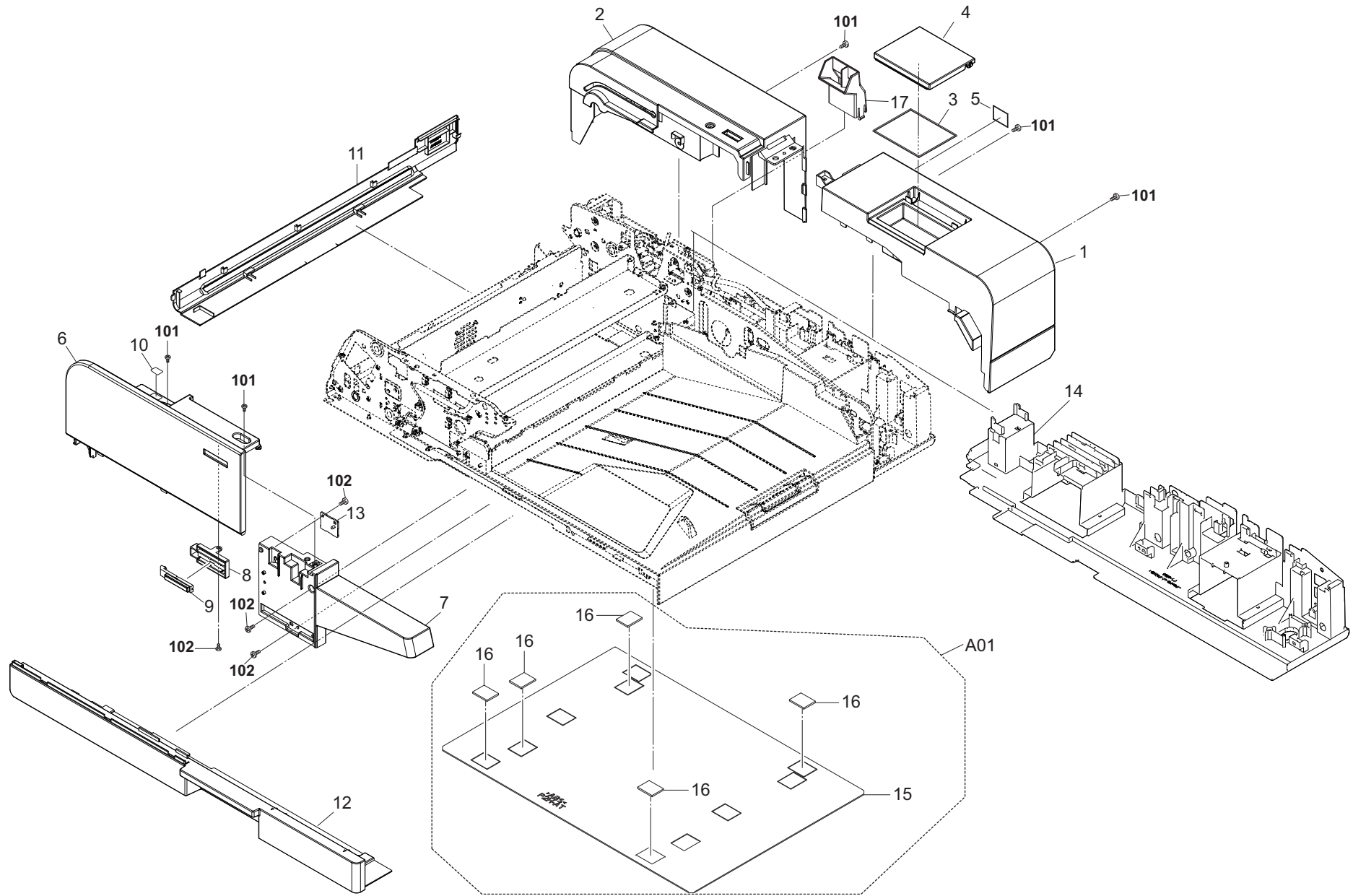


FIG. 56 Covers(DP)

| Ref No. | Part.No. | Description | Notes | Revision | Quantity | | | |
|---------|-------------|---------------------------------|-------|----------|----------|-----|-----|-----|
| | | | | | 100 | 120 | 230 | 240 |
| 1 | 303R804080 | COVER REAR RIGHT | | | 1 | 1 | 1 | 1 |
| 2 | 303R804070 | COVER REAR LEFT | | | 1 | 1 | 1 | 1 |
| 3 | 302N904100 | CLEANER CLOTH | | | 1 | 1 | 1 | 1 |
| 4 | 303R704070 | LID REAR COVER | | | 1 | 1 | 1 | 1 |
| 5 | 303R834011 | LABEL CAUTION HINGE | | | 1 | 1 | 1 | 1 |
| 6 | 303R804060 | COVER FRONT TOP | | | 1 | 1 | 1 | 1 |
| 7 | 303R804030 | COVER INNER | | | 1 | 1 | 1 | 1 |
| 8 | 303R724150 | HOLDER LENS | | | 1 | 1 | 1 | 1 |
| 9 | 303M407300 | LENS LED | | | 1 | 1 | 1 | 1 |
| 10 | 303M434040 | LABEL C | | | 1 | 1 | 1 | 1 |
| 11 | 303R804020 | COVER LEFT | | | 1 | 1 | 1 | 1 |
| 12 | 303R804090 | COVER FRONT BOTTOM | | | 1 | 1 | 1 | 1 |
| 13 | 303M894100 | PARTS PWB LED ASSY SP | | | 1 | 1 | 1 | 1 |
| 14 | 303R804140 | COVER HINGE BOTTOM | | | 1 | 1 | 1 | 1 |
| A01 | 303LL94032 | PARTS MAT ASSY | | | 1 | 1 | 1 | 1 |
| 15 | *303JC04201 | PLATE ORIGINAL | | | 1 | 1 | 1 | 1 |
| 16 | *303MX02022 | CUSHION ORIGINAL MAT A | | | 5 | 5 | 5 | 5 |
| 17 | 303R804110 | COVER WIRE INTERFACE | | | 1 | 1 | 1 | 1 |
| 101 | 7BB282308H | +TP-FLAT T.T P SCREW 3X8(BLACK) | | | | | | |
| 102 | 7BB780308H | +BIND T.T S SCREW 3X8 SR(BLACK) | | | | | | |

FIG. 57 Frames(DP)

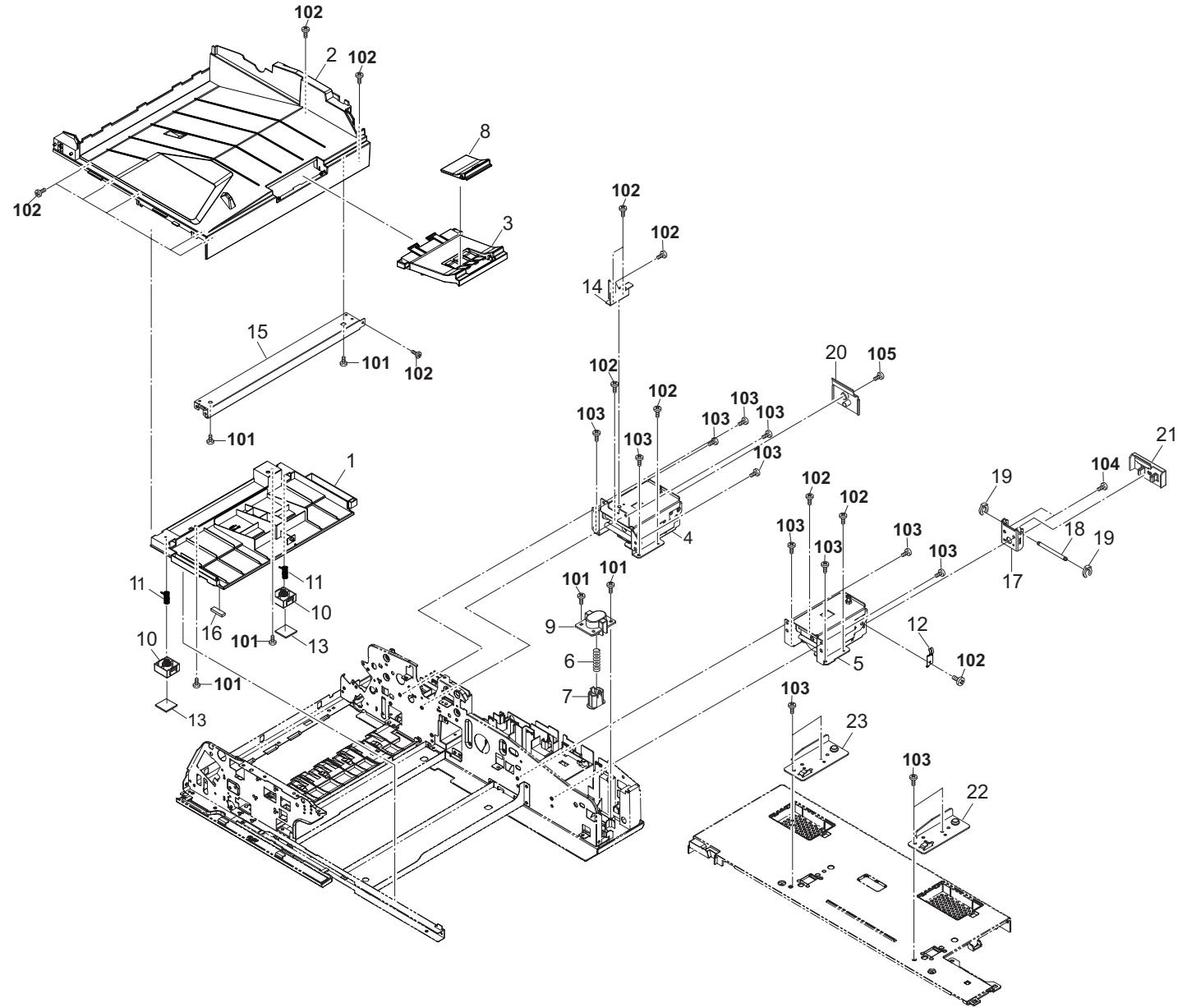


FIG. 57 Frames(DP)

2XP/2XN

| Ref No. | Part.No. | Description | Notes | Revision | Quantity | | | |
|---------|--------------|---------------------------------|-------|----------|----------|-----|-----|-----|
| | | | | | 100 | 120 | 230 | 240 |
| 1 | 303R804130 | COVER BOTTOM RIGHT | | | 1 | 1 | 1 | 1 |
| 2 | 303R804010 | TRAY EJECT | | | 1 | 1 | 1 | 1 |
| 3 | 303R702100 | TRAY SLIDE | | | 1 | 1 | 1 | 1 |
| 4 | 303M402021 | HINGE LEFT | | | 1 | 1 | 1 | 1 |
| 5 | 303M402031 | HINGE RIGHT | | | 1 | 1 | 1 | 1 |
| 6 | 303JX02090 | SPRING PUSH SW | | | 1 | 1 | 1 | 1 |
| 7 | 303R802010 | ACTUATOR ISU SW | | | 1 | 1 | 1 | 1 |
| 8 | 303R702110 | STOPPER EJECT | | | 1 | 1 | 1 | 1 |
| 9 | 303LL02150 | HOLDER SPRING PUSH SW | | | 1 | 1 | 1 | 1 |
| 10 | 303LL02410 | MOUNT CUSHION | | | 2 | 2 | 2 | 2 |
| 11 | 303LL02430 | SPRING PUSH MAT | | | 2 | 2 | 2 | 2 |
| 12 | 303LL02520 | GROUND PLATE HINGE | | | 1 | 1 | 1 | 1 |
| 13 | 303LL02531 | CUSHION ORIGINAL MAT | | | 2 | 2 | 2 | 2 |
| 14 | 303M402180 | PLATE HINGE UPPER | | | 1 | 1 | 1 | 1 |
| 15 | 303M402190 | STAY EJECT TRAY | | | 1 | 1 | 1 | 1 |
| 16 | 303NV02070 | CUSHION BASE | | | 1 | 1 | 1 | 1 |
| 17 | 303M402170 | PLATE ANGLE | | | 1 | 1 | 1 | 1 |
| 18 | 303JX02391 | SHAFT ANGLE RESTRICTION | | | 1 | 1 | 1 | 1 |
| 19 | 5MVX111DN003 | RING STOPPER /A-49 FEED A4 | | | 2 | 2 | 2 | 2 |
| 20 | 303M404070 | COVER HINGE LEFT | | | 1 | 1 | 1 | 1 |
| 21 | 303R804120 | COVER HINGE RIGHT | | | 1 | 1 | 1 | 1 |
| 22 | 303LL02380 | PLATE GUIDE HINGE | | | 1 | 1 | 1 | 1 |
| 23 | 303M402200 | PLATE GUIDE HINGE | | | 1 | 1 | 1 | 1 |
| 101 | 7BB200308H | +BIND T.T P SCREW 3X8 | | | | | | |
| 102 | 7BB700308H | +BIND T.T S SCREW 3X8 SR | | | | | | |
| 103 | 7BB700408H | +BIND T.T S SCREW 4X8 SR | | | | | | |
| 104 | 7BB607414H | +TP-CUP M SCREW 4X14 R | | | | | | |
| 105 | 7BB780308H | +BIND T.T S SCREW 3X8 SR(BLACK) | | | | | | |

FIG. 58 Table Assy(DP)

2XP/2XN

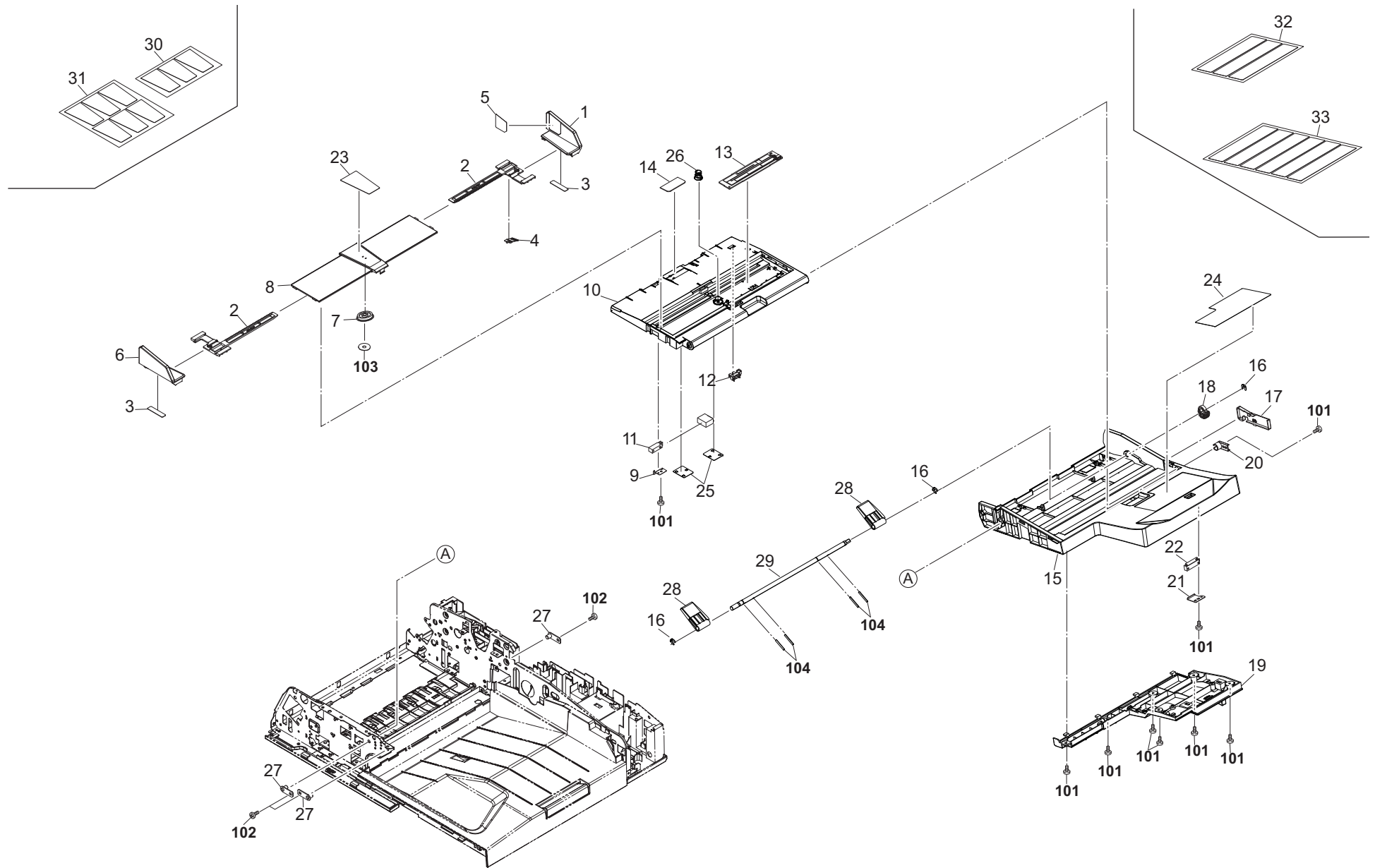


FIG. 58 Table Assy(DP)

2XP/2XN

| Ref No. | Part.No. | Description | Notes | Revision | Quantity | | | |
|---------|-----------------|----------------------------------|-------|----------|----------|-----|-----|-----|
| | | | | | 100 | 120 | 230 | 240 |
| 1 | 303R806020 | CURSOR REAR | | | 1 | 1 | 1 | 1 |
| 2 | 303M406031 | RACK TABLE | | | 2 | 2 | 2 | 2 |
| 3 | 3HL06090 | CUSHION CURSOR | | | 2 | 2 | 2 | 2 |
| 4 | 3HL06110 | TERMINAL PAPER SIZE | | | 1 | 1 | 1 | 1 |
| 5 | 303R834030 | LABEL ORIGINAL MAX | | | 1 | 1 | 1 | 1 |
| 6 | 303R806010 | CURSOR FRONT | | | 1 | 1 | 1 | 1 |
| 7 | 303JX06070 | PINION GEAR | | | 1 | 1 | 1 | 1 |
| 8 | 303R806040 | COVER CURSOR | | | 1 | 1 | 1 | 1 |
| 9 | 303JX06090 | SENSOR EARTH | | | 1 | 1 | 1 | 1 |
| 10 | 303R806050 | TABLE LIFT | | | 1 | 1 | 1 | 1 |
| 11 | 303NW94060 | PARTS SENSOR OPT. SP | | | 1 | 1 | 1 | 1 |
| 12 | 303M894260 | PARTS SENSOR OPT SP | | | 1 | 1 | 1 | 1 |
| 13 | 303M894271 | PARTS PWB SIZE DETECTION ASSY SP | | | 1 | 1 | 1 | 1 |
| 14 | 3A707290 | PAD.LIFT | | | 1 | 1 | 1 | 1 |
| 15 | 303R806030 | BASE TABLE | | | 1 | 1 | 1 | 1 |
| 16 | 2BC06910 | STOPPER 6 | | | 3 | 3 | 3 | 3 |
| 17 | 303M406130 | COVER TABLE REAR | | | 1 | 1 | 1 | 1 |
| 18 | 303M406070 | GEAR LIFT Z30 | | | 1 | 1 | 1 | 1 |
| 19 | 303R806060 | COVER TABLE | | | 1 | 1 | 1 | 1 |
| 20 | 303M406080 | BUSH TABLE | | | 1 | 1 | 1 | 1 |
| 21 | 303LL06090 | MOUNT ORIGINAL SENSOR | | | 1 | 1 | 1 | 1 |
| 22 | 303NW94050 | PARTS SENSOR OPT. SP | | | 1 | 1 | 1 | 1 |
| 23 | 303R834040 | LABEL FACE UP JP | | | 1 | | | |
| 23 | 303R834050 | LABEL FACE UP EN | | | | 1 | 1 | 1 |
| 24 | 303R834070 | LABEL CAUTION JP | | | 1 | | | |
| 24 | 303R834090 | LABEL CAUTION IN | | | | 1 | | |
| 24 | 303R834100 | LABEL CAUTION ME | | | | | 1 | 1 |
| 25 | 302H702540 | FILM WIRE OPE | | | 2 | 2 | 2 | 2 |
| 26 | 302H712650 | SPRING DRUM JOINT | | | 1 | 1 | 1 | 1 |
| 27 | 303M402210 | PIN TABLE | | | 3 | 3 | 3 | 3 |
| 28 | 303M406050 | LEVER LIFT | | | 2 | 2 | 2 | 2 |
| 29 | 303M406060 | SHAFT LIFT | | | 1 | 1 | 1 | 1 |
| 30 | 303R834060 | LABEL FACE UP US | | | | 1 | | |
| 31 | 303R834130 | LABEL FACE UP NL | | | | | 1 | |
| 32 | 303R834080 | LABEL CAUTION US | | | | 1 | | |
| 33 | 303R834120 | LABEL CAUTION NL | | | | | 1 | |
| 101 | 7BB200308H | +BIND T.T P SCREW 3X8 | | | | | | |
| 102 | 7BB700308H | +BIND T.T S SCREW 3X8 SR | | | | | | |
| 103 | 7BC06062N050H01 | POLYSLIDER 6.2X22X0.5T | | | | | | |
| 104 | 7BP513025B0CH01 | PARALLEL PIN 3X25 | | | | | | |

FIG. 59 Paper Conveying Section(DP)

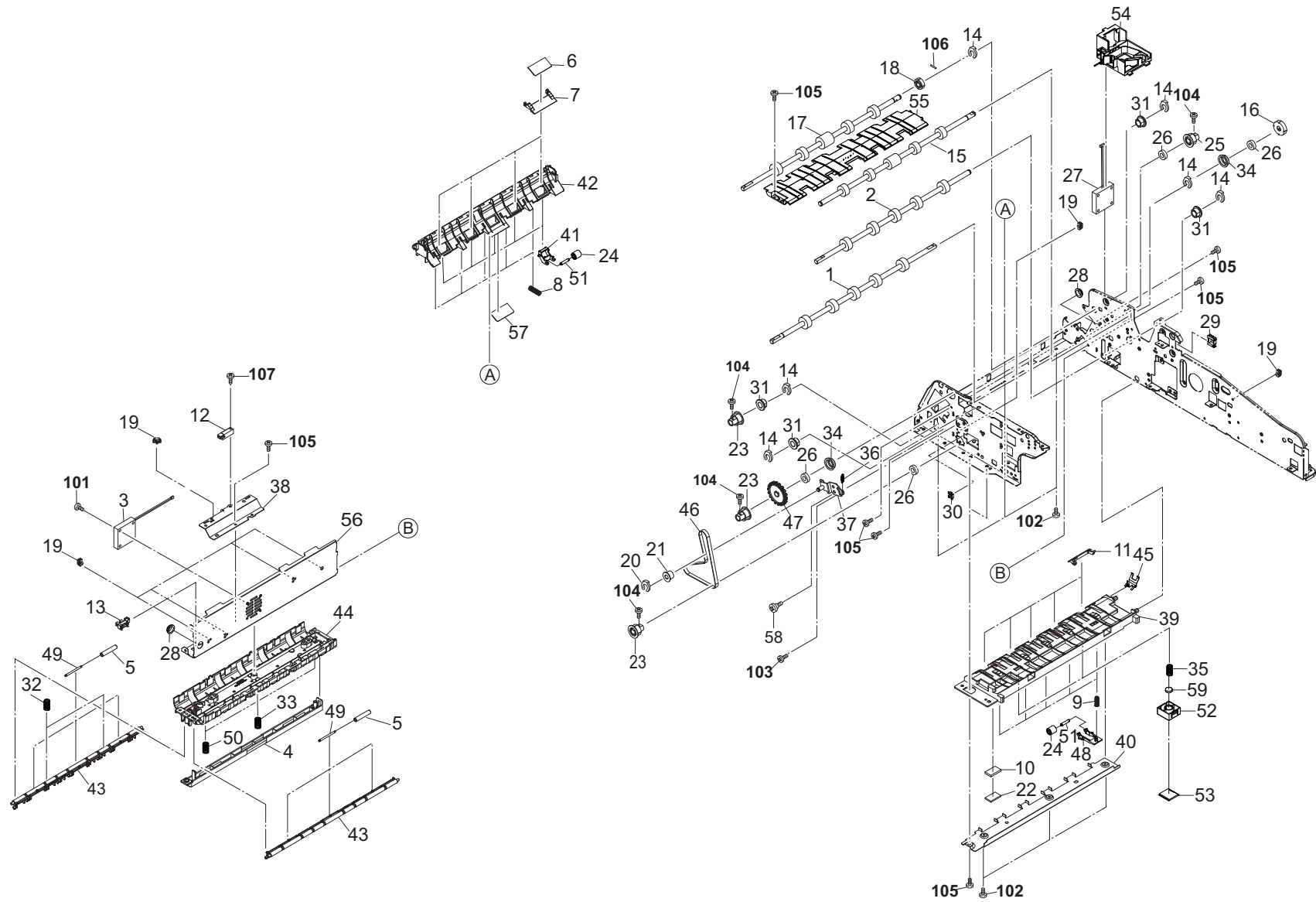


FIG. 59 Paper Conveying Section(DP)

2XP/2XN

| Ref No. | Part.No. | Description | Notes | Revision | Quantity | | | |
|---------|-----------------|---------------------------------|-------|----------|----------|-----|-----|-----|
| | | | | | 100 | 120 | 230 | 240 |
| 1 | 303M494090 | PARTS ROLLER CONVEYING LEFT SP | | | 1 | 1 | 1 | 1 |
| 2 | 303M494100 | PARTS ROLLER CONVEYING RIGHT SP | | | 1 | 1 | 1 | 1 |
| 3 | 302H794490 | PARTS FAN COOLING CONV | | | 1 | 1 | 1 | 1 |
| 4 | 303M424251 | GUIDE READING | | | 1 | 1 | 1 | 1 |
| 5 | 303LL24190 | PULLEY GUIDE READING | | | 6 | 6 | 6 | 6 |
| 6 | 303M424200 | SHEET LEFT READING | | | 4 | 4 | 4 | 4 |
| 7 | 303M424210 | GUIDE LEFT READING | | | 4 | 4 | 4 | 4 |
| 8 | 302H008140 | SPRING BYPASSFFED | | | 5 | 5 | 5 | 5 |
| 9 | 303NA06110 | SPRING PICK UP | | | 5 | 5 | 5 | 5 |
| 10 | 303R702180 | SPONGE ORIGINAL MAT A | | | 1 | 1 | 1 | 1 |
| 11 | 303M824160 | GUIDE RIGHT READING | | | 5 | 5 | 5 | 5 |
| 12 | 303NW94040 | PARTS SENSOR OPT. SP | | | 1 | 1 | 1 | 1 |
| 13 | 303M894260 | PARTS SENSOR OPT SP | | | 1 | 1 | 1 | 1 |
| 14 | 2BC06910 | STOPPER 6 | | | 6 | 6 | 6 | 6 |
| 15 | 303M494070 | PARTS ROLLER REGISTRATION SP | | | 1 | 1 | 1 | 1 |
| 16 | 303M431110 | GEAR Z26 | | | 1 | 1 | 1 | 1 |
| 17 | 303M494080 | PARTS ROLLER CONVEYING UPPER SP | | | 1 | 1 | 1 | 1 |
| 18 | 303M431340 | GEAR 22 CIS IDLE | | | 1 | 1 | 1 | 1 |
| 19 | 7YZM610007++H01 | ACCESS.SADDLE | | | 7 | 7 | 7 | 7 |
| 20 | 5MVX111DN003 | RING STOPPER /A-49 FEED A4 | | | 1 | 1 | 1 | 1 |
| 21 | 28801190 | PULLEY,TIMING BELT | | | 1 | 1 | 1 | 1 |
| 22 | 303J902371 | CUSHION ORIGINAL MAT | | | 1 | 1 | 1 | 1 |
| 23 | 303LL31330 | PULLEY 38 CONVEYING | | | 3 | 3 | 3 | 3 |
| 24 | 303M824210 | PULLEY CONVEYING BK | | | 10 | 10 | 10 | 10 |
| 25 | 303M431320 | PULLEY 48 CONV HIGH | | | 1 | 1 | 1 | 1 |
| 26 | 7BE008165431H11 | BEARING 688ZZ | | | 4 | 4 | 4 | 4 |
| 27 | 302H044120 | FAN COOLING 40-15 | | | 1 | 1 | 1 | 1 |
| 28 | 7YZM110001++H01 | ACCESS.BUSHING | | | 2 | 2 | 2 | 2 |
| 29 | 7YZM210005++H01 | ACCESS.EDGING | | | 1 | 1 | 1 | 1 |
| 30 | 7YZM210006++H01 | ACCESS.EDGING | | | 1 | 1 | 1 | 1 |
| 31 | 28107310 | BUSH 8 | | | 4 | 4 | 4 | 4 |
| 32 | 302HN04250 | SPRING SIDE COVER | | | 2 | 2 | 2 | 2 |
| 33 | 302K309370 | SPRING CURSOR SET | | | 1 | 1 | 1 | 1 |
| 34 | 302K931960 | HOLDER BEARING 688ZZ | | | 2 | 2 | 2 | 2 |
| 35 | 303LL02430 | SPRING PUSH MAT | | | 2 | 2 | 2 | 2 |
| 36 | 303LL31390 | SPRING TENSION CONV | | | 1 | 1 | 1 | 1 |
| 37 | 303LL31520 | PLATE TENSION EJECT | | | 1 | 1 | 1 | 1 |
| 38 | 303M402100 | MOUNT TIMING SW | | | 1 | 1 | 1 | 1 |
| 39 | 303M424170 | GUIDE CONV RIGHT | | | 1 | 1 | 1 | 1 |
| 40 | 303M424180 | STAY CONV RIGHT | | | 1 | 1 | 1 | 1 |
| 41 | 303M424190 | HOLDER LEFT PULLEY | | | 5 | 5 | 5 | 5 |
| 42 | 303M424221 | GUIDE CONV LEFT | | | 1 | 1 | 1 | 1 |
| 43 | 303M424261 | HOLDER READ PULLEY | | | 2 | 2 | 2 | 2 |
| 44 | 303M424270 | GUIDE CONVEYING LOW | | | 1 | 1 | 1 | 1 |
| 45 | 303M424280 | PLATE EARTH CONV LOWER | | | 1 | 1 | 1 | 1 |
| 46 | 303M431270 | BELT 60S1.5M326 | | | 1 | 1 | 1 | 1 |
| 47 | 303M431280 | KNOB JAM REMOVENT | | | 1 | 1 | 1 | 1 |
| 48 | 303M824121 | HOLDER RIGHT PULLEY | | | 5 | 5 | 5 | 5 |
| 49 | 303M824130 | SHAFT GUIDE READING | | | 6 | 6 | 6 | 6 |
| 50 | 303M824140 | SPRING GUIDE READING | | | 2 | 2 | 2 | 2 |

FIG. 59 Paper Conveying Section(DP)

2XP/2XN

| Ref No. | Part.No. | Description | Notes | Revision | Quantity | | | |
|---------|--------------|------------------------------|-------|----------|----------|-----|-----|-----|
| | | | | | 100 | 120 | 230 | 240 |
| 51 | 303M824200 | SHAFT PULLEY | | | 10 | 10 | 10 | 10 |
| 52 | 303LL02410 | MOUNT CUSHION | | | 2 | 2 | 2 | 2 |
| 53 | 303LL02531 | CUSHION ORIGINAL MAT | | | 2 | 2 | 2 | 2 |
| 54 | 303M402111 | HOLDER FAN | | | 1 | 1 | 1 | 1 |
| 55 | 303M424060 | GUIDE REGIST LOWER | | | 1 | 1 | 1 | 1 |
| 56 | 303M402060 | STAY CONVEYING | | | 1 | 1 | 1 | 1 |
| 57 | 303M424440 | SHEET GUIDE CONV LEFT | | | 1 | 1 | 1 | 1 |
| 58 | 3CZ02230 | PIN,HOOK FULCRUM | | | 1 | 1 | 1 | 1 |
| 59 | 303R802020 | SPACER CUSHION | | | 1 | 1 | 1 | 1 |
| 101 | 7BB100316H1 | +BIND T.T S SCREW 3X16 | | | | | | |
| 102 | 7BB200308H | +BIND T.T P SCREW 3X8 | | | | | | |
| 103 | 7BB606308H | +PAN M SCREW WITH SW W 3X8 R | | | | | | |
| 104 | 7BB607308H | +TP-CUP M SCREW 3X8 R | | | | | | |
| 105 | 7BB700308H | +BIND T.T S SCREW 3X8 SR | | | | | | |
| 106 | 5MBP2012WXSP | SPRING PIN /M2 X 12 S-BLK | | | | | | |
| 107 | 7BB100312H1 | +BIND T.T S SCREW 3X12 | | | | | | |

FIG. 60 Paper Feed Section 1(DP)

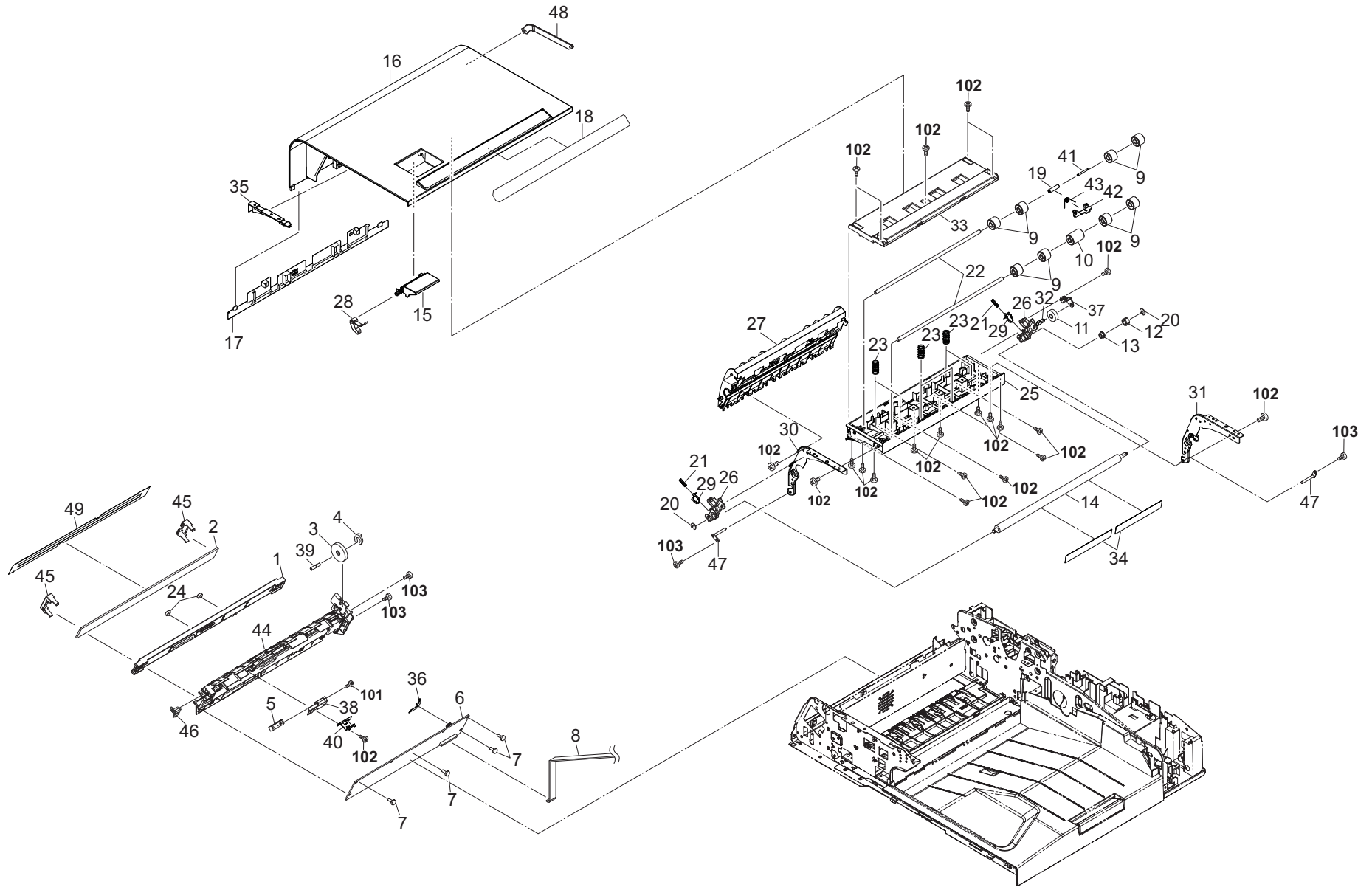


FIG. 60 Paper Feed Section 1(DP)

2XP/2XN

| Ref No. | Part.No. | Description | Notes | Revision | Quantity | | | |
|---------|-----------------|----------------------------|-------|----------|----------|-----|-----|-----|
| | | | | | 100 | 120 | 230 | 240 |
| 1 | 303R894010 | PARTS CIS HIGH SP | | | 1 | 1 | 1 | 1 |
| 2 | 303NW24020 | GLASS CIS | | | 1 | 1 | 1 | 1 |
| 3 | 2BL06170 | GEAR Z42 FEED | | | 1 | 1 | 1 | 1 |
| 4 | 5MVX111DN003 | RING STOPPER /A-49 FEED A4 | | | 1 | 1 | 1 | 1 |
| 5 | 303NW94040 | PARTS SENSOR OPT. SP | | | 1 | 1 | 1 | 1 |
| 6 | 303R894090 | PARTS PWB SHD HIGH ASSY SP | | | 1 | 1 | 1 | 1 |
| 7 | 7YZM510019++H01 | ACCESS.SPACER | | | 4 | 4 | 4 | 4 |
| 8 | 303R846020 | WIRE INTERFACE VIDEO | | | 1 | 1 | 1 | 1 |
| 9 | 303M424300 | PULLEY REGISTRATION BK | | | 8 | 8 | 8 | 8 |
| 10 | 303M424310 | PULLEY REG B BK | | | 1 | 1 | 1 | 1 |
| 11 | 302FZ08370 | GEAR JOINT MPT UNIT | | | 1 | 1 | 1 | 1 |
| 12 | 2CK17050 | GEAR IDLE Z14S | | | 1 | 1 | 1 | 1 |
| 13 | 302K324450 | BUSH 6 | | | 1 | 1 | 1 | 1 |
| 14 | 303M494060 | PARTS ROLLER CIS SP | | | 1 | 1 | 1 | 1 |
| 15 | 303R804040 | HANDLE COVER PF | | | 1 | 1 | 1 | 1 |
| 16 | 303R804051 | COVER PF | | | 1 | 1 | 1 | 1 |
| 17 | 303R804100 | COVER PF BOTTOM | | | 1 | 1 | 1 | 1 |
| 18 | 303R834020 | LABEL SIZE INDICATOR | | | 1 | 1 | 1 | 1 |
| 19 | 303M424400 | PULLY CIS ROLLER | | | 1 | 1 | 1 | 1 |
| 20 | 302FB09830 | CUT WASHER 4 | | | 2 | 2 | 2 | 2 |
| 21 | 303H316360 | SPRING CONVEYING | | | 2 | 2 | 2 | 2 |
| 22 | 303LL07130 | SHAFT REGISTRATION PULLEY | | | 2 | 2 | 2 | 2 |
| 23 | 303LL07170 | SPRING REGISTRATION | | | 6 | 6 | 6 | 6 |
| 24 | 303NW24050 | SPACER CIS | | | 2 | 2 | 2 | 2 |
| 25 | 303M407260 | GUIDE REGIST UPPER | | | 1 | 1 | 1 | 1 |
| 26 | 303M407270 | ARM CIS ROLLER FRONT | | | 2 | 2 | 2 | 2 |
| 27 | 303M407291 | GUIDE CIS ROLLER | | | 1 | 1 | 1 | 1 |
| 28 | 303M407310 | LEVER HANDLE | | | 1 | 1 | 1 | 1 |
| 29 | 303M407330 | PLATE EARTH CIS ROLLER | | | 2 | 2 | 2 | 2 |
| 30 | 303M407340 | PLATE PF COVER FRONT | | | 1 | 1 | 1 | 1 |
| 31 | 303M407350 | PLATE PF COVER REAR | | | 1 | 1 | 1 | 1 |
| 32 | 303M407360 | SHAFT CIS IDLE | | | 1 | 1 | 1 | 1 |
| 33 | 303M407370 | HOLDER REGIST PULLEY | | | 1 | 1 | 1 | 1 |
| 34 | 303M407410 | SHEET CIS ROLLER | | | 2 | 2 | 2 | 2 |
| 35 | 303M407510 | COVER PF FRONT | | | 1 | 1 | 1 | 1 |
| 36 | 303R824020 | PLATE EARTH CIS REAR | | | 1 | 1 | 1 | 1 |
| 37 | 303M407530 | HOLDER GEAR | | | 1 | 1 | 1 | 1 |
| 38 | 303M424130 | MOUNT CIS SW | | | 1 | 1 | 1 | 1 |
| 39 | 303M424240 | SHAFT CIS IDLE | | | 1 | 1 | 1 | 1 |
| 40 | 303M424290 | PLATE EARTH SHD PWB | | | 1 | 1 | 1 | 1 |
| 41 | 303M424340 | SHAFT CIS PULLEY | | | 1 | 1 | 1 | 1 |
| 42 | 303M424350 | HOLDER CIS PULLEY | | | 1 | 1 | 1 | 1 |
| 43 | 303M424420 | SPRING CIS PULLEY | | | 1 | 1 | 1 | 1 |
| 44 | 303NW24012 | HOUSING CIS | | | 1 | 1 | 1 | 1 |
| 45 | 303NW24030 | STOPPER CIS GLASS | | | 2 | 2 | 2 | 2 |
| 46 | 303R824010 | PLATE EARTH CIS FRONT | | | 1 | 1 | 1 | 1 |
| 47 | 303LL02190 | PIN PF COVER | | | 2 | 2 | 2 | 2 |
| 48 | 303M407380 | STRAP PF COVER | | | 1 | 1 | 1 | 1 |
| 49 | 303P624020 | SHEET CIS GLASS | | | 1 | 1 | 1 | 1 |

FIG. 60 Paper Feed Section 1(DP)

| Ref No. | Part.No. | Description | Notes | Revision | Quantity | | | |
|---------|-------------|--------------------------|-------|----------|----------|-----|-----|-----|
| | | | | | 100 | 120 | 230 | 240 |
| 101 | 7BB100312H1 | +BIND T.T S SCREW 3X12 | | | | | | |
| 102 | 7BB200308H | +BIND T.T P SCREW 3X8 | | | | | | |
| 103 | 7BB700308H | +BIND T.T S SCREW 3X8 SR | | | | | | |
| | | | | | | | | |
| | | | | | | | | |
| | | | | | | | | |
| | | | | | | | | |
| | | | | | | | | |
| | | | | | | | | |
| | | | | | | | | |
| | | | | | | | | |
| | | | | | | | | |
| | | | | | | | | |
| | | | | | | | | |
| | | | | | | | | |
| | | | | | | | | |
| | | | | | | | | |
| | | | | | | | | |
| | | | | | | | | |
| | | | | | | | | |
| | | | | | | | | |
| | | | | | | | | |
| | | | | | | | | |
| | | | | | | | | |

FIG. 61 Paper Feed Section 2(DP)

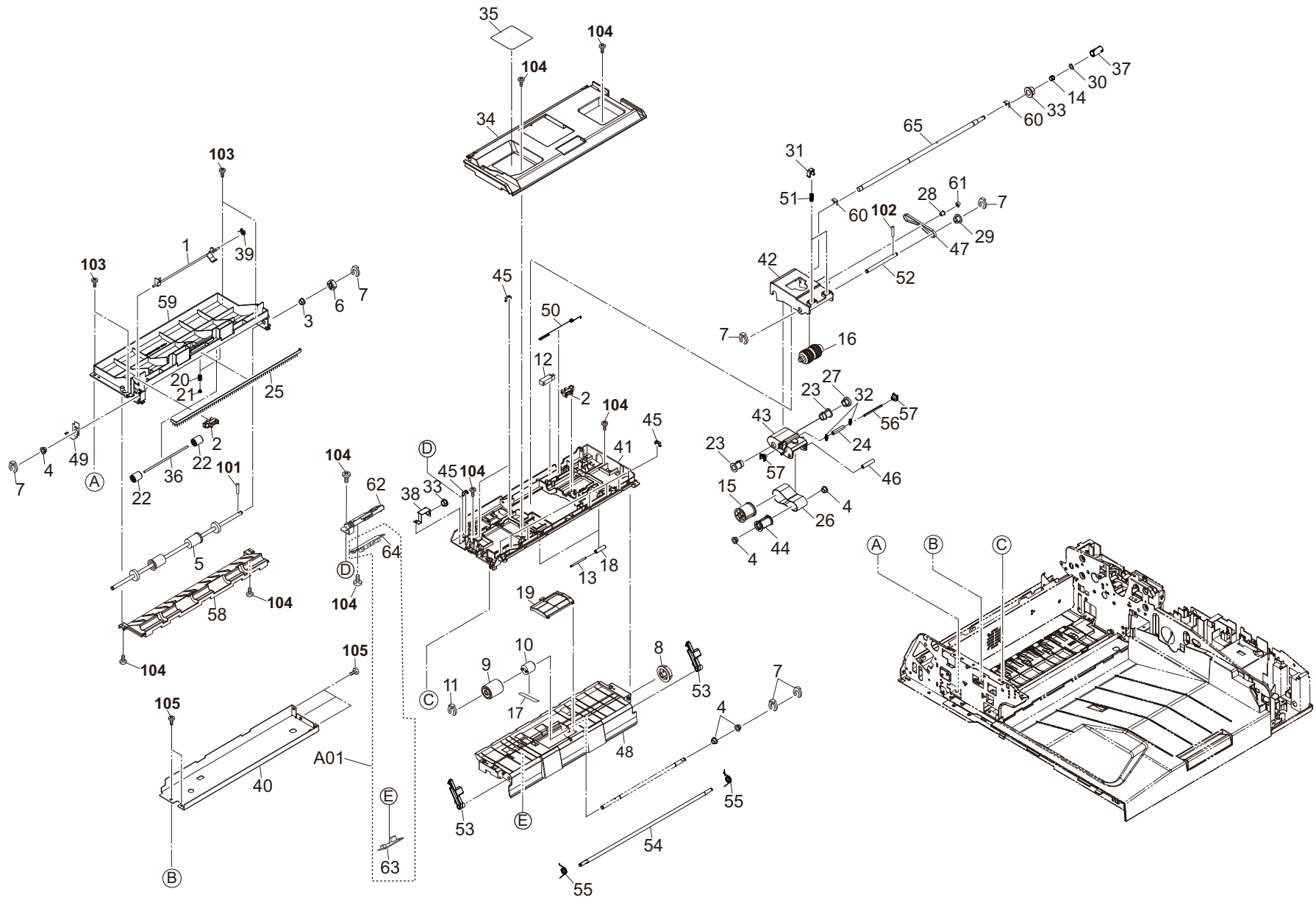


FIG. 61 Paper Feed Section 2(DP)

2XP/2XN

| Ref No. | Part.No. | Description | Notes | Revision | Quantity | | | |
|---------|--------------|-------------------------------|-------|----------|----------|-----|-----|-----|
| | | | | | 100 | 120 | 230 | 240 |
| 1 | 303M429040 | ACTUATOR EJECT SW | | | 1 | 1 | 1 | 1 |
| 2 | 303M894260 | PARTS SENSOR OPT SP | | | 2 | 2 | 2 | 2 |
| 3 | 302H702590 | BUSH SCREW | | | 1 | 1 | 1 | 1 |
| 4 | 302K324450 | BUSH 6 | | | 5 | 5 | 5 | 5 |
| 5 | 303M494110 | PARTS ROLLER EJECT SP | | | 1 | 1 | 1 | 1 |
| 6 | 3H622020 | GEAR CIS ROLLER 20 | | | 1 | 1 | 1 | 1 |
| 7 | 5MVX111DN003 | RING STOPPER /A-49 FEED A4 | | | 6 | 6 | 6 | 6 |
| 8 | 303M407110 | GEAR Z33 | | | 1 | 1 | 1 | 1 |
| 9 | 303LL07191 | PULLEY SEPARATION | | | 1 | 1 | 1 | 1 |
| 10 | 303JX07400 | TORQUE LIMITER FEED | | | 1 | 1 | 1 | 1 |
| 11 | 5MVL177DN001 | RING STOPPER 4 | | | 1 | 1 | 1 | 1 |
| 12 | 303NW94040 | PARTS SENSOR OPT. SP | | | 1 | 1 | 1 | 1 |
| 13 | 303M824130 | SHAFT GUIDE READING | | | 2 | 2 | 2 | 2 |
| 14 | 302K906180 | JOINT RETARD DRIVE | | | 1 | 1 | 1 | 1 |
| 15 | 303NV07020 | COLLAR PF C | | | 1 | 1 | 1 | 1 |
| 16 | 303M407480 | PULLEY LF | | | 1 | 1 | 1 | 1 |
| 17 | 303MW07060 | FILM TORQUE LIMITER | | | 1 | 1 | 1 | 1 |
| 18 | 303LL24190 | PULLEY GUIDE READING | | | 2 | 2 | 2 | 2 |
| 19 | 303M494200 | PARTS GUIDE SEPARATE ASSY SP | | | 1 | 1 | 1 | 1 |
| 20 | 2C907360 | SPRING CURSOR R | | | 2 | 2 | 2 | 2 |
| 21 | 2FM04150 | CAP SPRING /B-11 ENCLOSURE A4 | | | 2 | 2 | 2 | 2 |
| 22 | 302F929260 | PULLEY DU LOW | | | 2 | 2 | 2 | 2 |
| 23 | 303H607131 | BUSHING PF HOLDER | | | 2 | 2 | 2 | 2 |
| 24 | 303H607280 | PULLEY TENSION | | | 1 | 1 | 1 | 1 |
| 25 | 303K502131 | STATIC ELIMINATOR EJECT | | | 1 | 1 | 1 | 1 |
| 26 | 303LL07531 | BELT PF | | | 1 | 1 | 1 | 1 |
| 27 | 303M407080 | PULLEY 20 | | | 1 | 1 | 1 | 1 |
| 28 | 303M407200 | PULLEY HOLDER LF | | | 1 | 1 | 1 | 1 |
| 29 | 303M407220 | PULLEY 20 LF | | | 1 | 1 | 1 | 1 |
| 30 | 2BG22990 | CUT WASHER 4 | | | 1 | 1 | 1 | 1 |
| 31 | 2FB07330 | STOPPER BYPASS TABLE | | | 2 | 2 | 2 | 2 |
| 32 | 303M407540 | SPRING BELT TENTION | | | 2 | 2 | 2 | 2 |
| 33 | 28107310 | BUSH 8 | | | 2 | 2 | 2 | 2 |
| 34 | 303M407021 | COVER PF ROLLER | | | 1 | 1 | 1 | 1 |
| 35 | 303R834110 | LABEL JAM | | | 1 | 1 | 1 | 1 |
| 36 | 303R829010 | SHAFT EXIT | | | 1 | 1 | 1 | 1 |
| 37 | 302K906140 | COUPLING PRIMARY FEED DRIVE | | | 1 | 1 | 1 | 1 |
| 38 | 303M407550 | PLATE EARTH SHAFT PF | | | 1 | 1 | 1 | 1 |
| 39 | 302K928190 | SPRING-TORSION SWITCHBACK | | | 1 | 1 | 1 | 1 |
| 40 | 303M402070 | STAY LOOP UPPER | | | 1 | 1 | 1 | 1 |
| 41 | 303M407011 | GUIDE UPPER | | | 1 | 1 | 1 | 1 |
| 42 | 303M407030 | HOLDER LF | | | 1 | 1 | 1 | 1 |
| 43 | 303M407040 | HOLDER PF | | | 1 | 1 | 1 | 1 |
| 44 | 303M407050 | COLLAR PF B | | | 1 | 1 | 1 | 1 |
| 45 | 302K931080 | WIRE STOPPER | | | 9 | 9 | 9 | 9 |
| 46 | 303M407060 | SHAFT BELT | | | 1 | 1 | 1 | 1 |
| 47 | 303M407090 | BELT 172 LF | | | 1 | 1 | 1 | 1 |
| 48 | 303M407101 | GUIDE LOWER PF | | | 1 | 1 | 1 | 1 |
| 49 | 303M429030 | PLATE EARTH EJECT | | | 1 | 1 | 1 | 1 |
| 50 | 303M407150 | SPRING EARTH | | | 1 | 1 | 1 | 1 |

FIG. 61 Paper Feed Section 2(DP)

2XP/2XN

| Ref No. | Part.No. | Description | Notes | Revision | Quantity | | | |
|---------|--------------|---------------------------|-------|----------|----------|-----|-----|-----|
| | | | | | 100 | 120 | 230 | 240 |
| 51 | 303M407160 | SPRING HOLDER LF | | | 2 | 2 | 2 | 2 |
| 52 | 303M407210 | SHAFT LF | | | 1 | 1 | 1 | 1 |
| 53 | 303M407231 | HOOK COVER | | | 2 | 2 | 2 | 2 |
| 54 | 303M407240 | SHAFT HOOK | | | 1 | 1 | 1 | 1 |
| 55 | 303M407421 | SPRING HOOK FRONT | | | 2 | 2 | 2 | 2 |
| 56 | 303M407440 | SHAFT PULLEY TENSION | | | 1 | 1 | 1 | 1 |
| 57 | 303M407450 | SLIDER TENSION | | | 2 | 2 | 2 | 2 |
| 58 | 303M424231 | GUIDE EJECT LOWER | | | 1 | 1 | 1 | 1 |
| 59 | 303M429020 | GUIDE EJECT UPPER | | | 1 | 1 | 1 | 1 |
| 60 | 5MVL177DN002 | RING STOPPER 6 | | | 2 | 2 | 2 | 2 |
| 61 | 5MVX111DN007 | STOPPER 3 /2BT1107 A4 | | | 1 | 1 | 1 | 1 |
| 62 | 303M407140 | MOUNT SENSOR RX | | | 1 | 1 | 1 | 1 |
| A01 | 303M494190 | PARTS PWB TX-RX SET SP | | | 1 | 1 | 1 | 1 |
| 63 | *303M494150 | PARTS PWB TX ASSY SP | | | 1 | 1 | 1 | 1 |
| 64 | *303M494160 | PARTS PWB RX ASSY SP | | | 1 | 1 | 1 | 1 |
| 65 | 303M407070 | SHAFT PF | | | 1 | 1 | 1 | 1 |
| 101 | 5MBP2010WXSP | SPRING PIN /M2 X 10 S-BLK | | | | | | |
| 102 | E0020080 | SPRING PIN 2X8 | | | | | | |
| 103 | 7BB100306H1 | +BIND T.T S SCREW 3X6 | | | | | | |
| 104 | 7BB200308H | +BIND T.T P SCREW 3X8 | | | | | | |
| 105 | 7BB700308H | +BIND T.T S SCREW 3X8 SR | | | | | | |

FIG. 62 Drive Section & Electrical Components(DP)

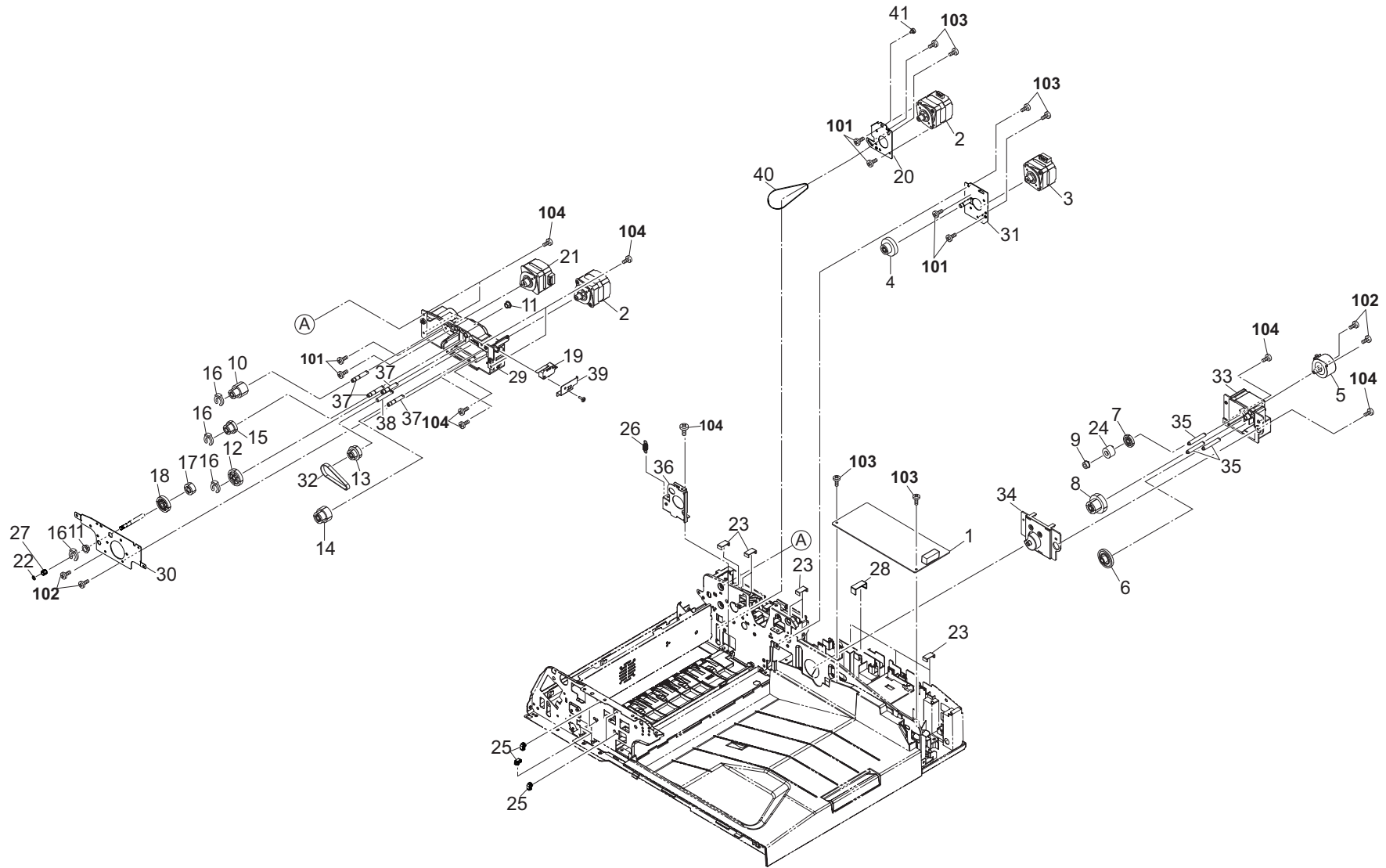


FIG. 62 Drive Section & Electrical Components(DP)

2XP/2XN

| Ref No. | Part.No. | Description | Notes | Revision | Quantity | | | |
|---------|-----------------|------------------------------|-------|----------|----------|-----|-----|-----|
| | | | | | 100 | 120 | 230 | 240 |
| 1 | 303R894030 | PARTS PWB DRIVER ASSY SP | | | 1 | 1 | 1 | 1 |
| 2 | 303M494041 | PARTS MOTOR CONVEYING SP | | | 2 | 2 | 2 | 2 |
| 3 | 302KY94071 | PARTS MOTOR DU SP | | | 1 | 1 | 1 | 1 |
| 4 | 303M431440 | GEAR EXIT Z43 Z20 | | | 1 | 1 | 1 | 1 |
| 5 | 302H794310 | PARTS MOTOR ROTARY GUIDE | | | 1 | 1 | 1 | 1 |
| 6 | 303H622331 | GEAR 20/65 IDLE | | | 1 | 1 | 1 | 1 |
| 7 | 303M494120 | PARTS GEAR Z42 SP | | | 1 | 1 | 1 | 1 |
| 8 | 303M494130 | PARTS GEAR JOINT Z20 Z65 SP | | | 1 | 1 | 1 | 1 |
| 9 | 3H622160 | GEAR 20 JOINT | | | 1 | 1 | 1 | 1 |
| 10 | 303M431101 | GEAR Z43 Z22 | | | 1 | 1 | 1 | 1 |
| 11 | 302K324450 | BUSH 6 | | | 2 | 2 | 2 | 2 |
| 12 | 303M431050 | GEAR Z35 | | | 1 | 1 | 1 | 1 |
| 13 | 303M431060 | GEAR Z20 P48 | | | 1 | 1 | 1 | 1 |
| 14 | 303M431090 | GEAR Z30 Z23 | | | 1 | 1 | 1 | 1 |
| 15 | 303M431400 | GEAR Z25 Z19 | | | 1 | 1 | 1 | 1 |
| 16 | 5MVX111DN003 | RING STOPPER /A-49 FEED A4 | | | 4 | 4 | 4 | 4 |
| 17 | 303M431040 | GEAR Z22 ONEWAY | | | 1 | 1 | 1 | 1 |
| 18 | 3HK22040 | GR 33 CONV | | | 1 | 1 | 1 | 1 |
| 19 | 2FB27160 | INTER LOCK SWITCH | | | 1 | 1 | 1 | 1 |
| 20 | 303M431300 | MOUNT CONV MOTOR A | | | 1 | 1 | 1 | 1 |
| 21 | 303M494182 | PARTS MOTOR REGISTRATION SP | | | 1 | 1 | 1 | 1 |
| 22 | 2BG22990 | CUT WASHER 4 | | | 1 | 1 | 1 | 1 |
| 23 | 303LL02330 | HOLDER WIRE D | | | 8 | 8 | 8 | 8 |
| 24 | 303M406160 | TORQUE-LIMITER 1000 | | | 1 | 1 | 1 | 1 |
| 25 | 7YZM610007++H01 | ACCESS.SADDLE | | | 6 | 6 | 6 | 6 |
| 26 | 2BC16470 | SPRING,CONVEYING HOOK | | | 1 | 1 | 1 | 1 |
| 27 | 302K906180 | JOINT RETARD DRIVE | | | 1 | 1 | 1 | 1 |
| 28 | 303LL02180 | HOLDER WIRE A | | | 1 | 1 | 1 | 1 |
| 29 | 303M431013 | MOUNT PF DRIVE | | | 1 | 1 | 1 | 1 |
| 30 | 303M431021 | PLATE PF DRIVE | | | 1 | 1 | 1 | 1 |
| 31 | 303M431200 | MOUNT LOOP DRIVE | | | 1 | 1 | 1 | 1 |
| 32 | 303M431120 | BELT 97ST1.5-6.0 | | | 1 | 1 | 1 | 1 |
| 33 | 303M431141 | MOUNT LIFT DRIVE | | | 1 | 1 | 1 | 1 |
| 34 | 303M431150 | COVER LIFT DRIVE | | | 1 | 1 | 1 | 1 |
| 35 | 303M431230 | PIN LIFT DRIVE A | | | 3 | 3 | 3 | 3 |
| 36 | 303M431311 | MOUNT CONV MOTOR B | | | 1 | 1 | 1 | 1 |
| 37 | 303M431360 | SHAFT PF DRIVE C | | | 4 | 4 | 4 | 4 |
| 38 | 303M431390 | SHAFT PF DRIVE F | | | 1 | 1 | 1 | 1 |
| 39 | 303M431410 | MOUNT INTERLOCK SW | | | 1 | 1 | 1 | 1 |
| 40 | 303M431290 | BELT 60S1.5M161 | | | 1 | 1 | 1 | 1 |
| 41 | 3CZ02230 | PIN,HOOK FULCRUM | | | 1 | 1 | 1 | 1 |
| 101 | 7BB000306H | +BIND M SCREW 3X6 | | | | | | |
| 102 | 7BB200308H | +BIND T.T P SCREW 3X8 | | | | | | |
| 103 | 7BB606308H | +PAN M SCREW WITH SW W 3X8 R | | | | | | |
| 104 | 7BB700308H | +BIND T.T S SCREW 3X8 SR | | | | | | |

FIG. 63 Options 1

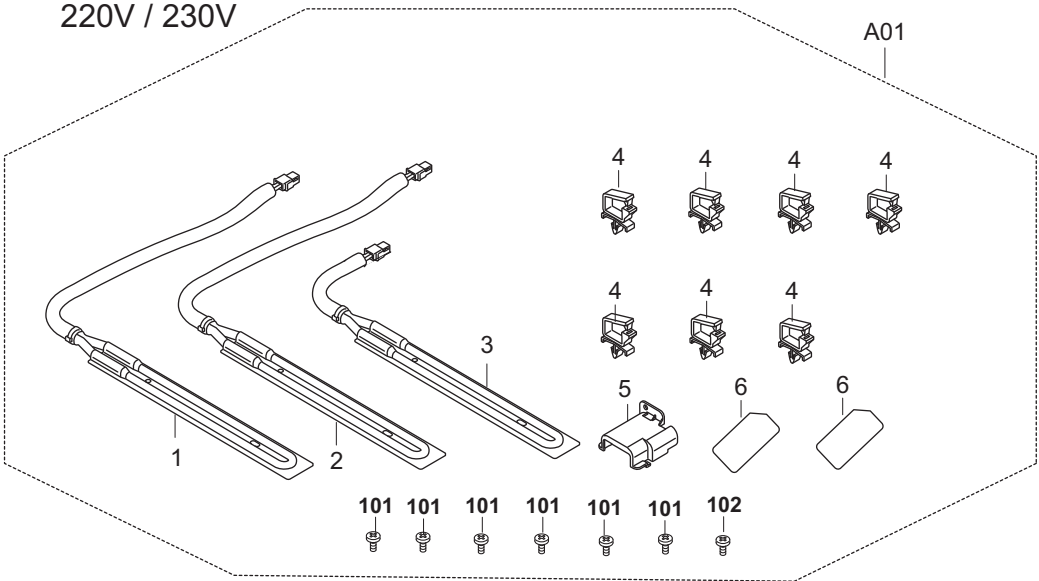
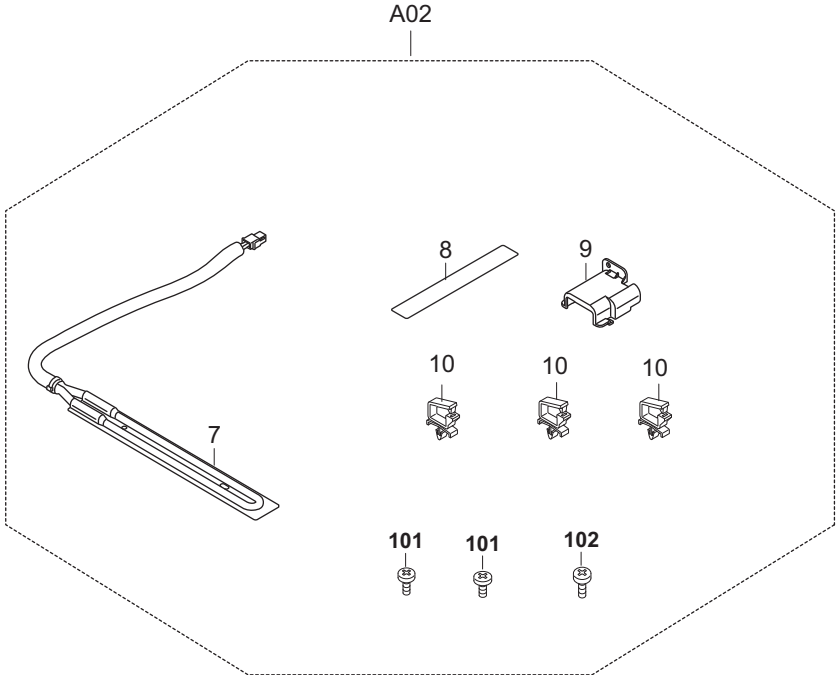
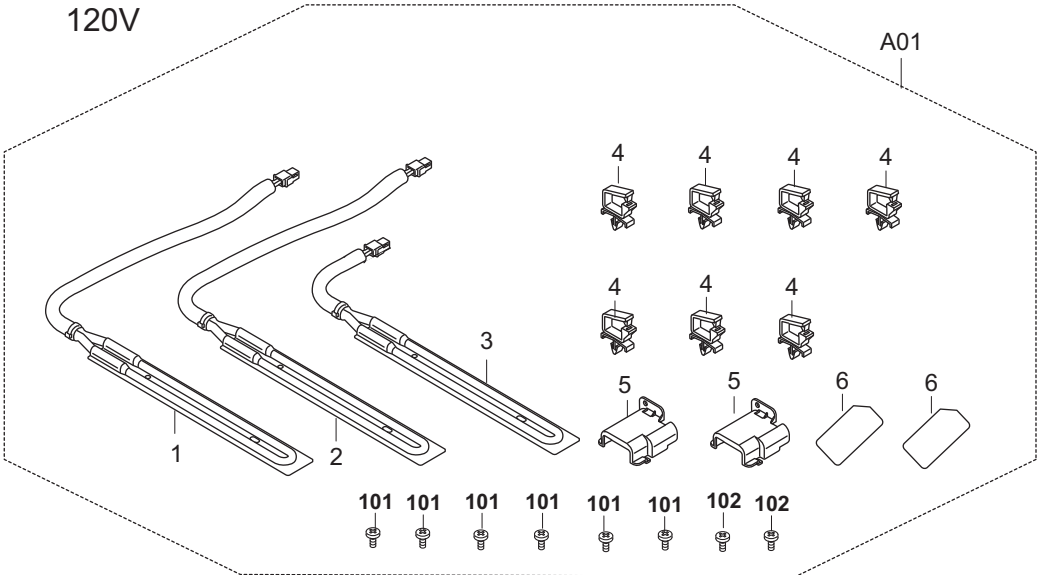


FIG. 63 Options 1

2XP/2XN

| Ref No. | Part.No. | Description | Notes | Revision | Quantity | | | |
|---------|------------------|--------------------------------|----------|----------|----------|-----|-----|-----|
| | | | | | 100 | 120 | 230 | 240 |
| A01 | 302NH94390 | PARTS DEHUMIDIFINR 120 SET SP | | | | 1 | | |
| A01 | 302NH94400 | PARTS DEHUMIDIFINR 240 SET SP | | | | | 1 | 1 |
| 1 | •302NH44070 | HEATER DEHUMIDIFIER 120 | | | | 1 | | |
| 1 | •302NH44080 | HEATER DEHUMIDIFIER 240 | | | | | 1 | 1 |
| 2 | •302RH44040 | HEATER DEHUMIDIFIER 120 | | | | 1 | | |
| 2 | •302RH44050 | HEATER DEHUMIDIFIER 240 | | | | | 1 | 1 |
| 3 | •302R444060 | HEATER DEHUMIDIFIER 120 | | | | 1 | | |
| 3 | •302R444070 | HEATER DEHUMIDIFIER 240 | | | | | 1 | 1 |
| 4 | •7YZM610001++H01 | ACCESS SADDLE | | | | 7 | 7 | 7 |
| 5 | •303NF04140 | COVER CONNECTOR HEATER | | | | 2 | 1 | 1 |
| 6 | •302K934150 | LABEL HIGH TEMP | | | | 2 | 2 | 2 |
| A02 | 303NF94130 | PARTS DEHUMIDIFINR 120 SET SP | for Deck | | | 1 | | |
| A02 | 303NF94140 | PARTS DEHUMIDIFINR 240 SET SP | for Deck | | | | 1 | 1 |
| 7 | •302H794620 | PARTS HEATER DEHUMIDIFIER 120 | | | | 1 | | |
| 7 | •302H794610 | PARTS HEATER DEHUMIDIFIER 240 | | | | | 1 | 1 |
| 8 | •302KP34220 | LABEL HIGH TEMPERATURE CAUTION | | | | 1 | 1 | 1 |
| 9 | •303NF04140 | COVER CONNECTOR HEATER | | | | 1 | 1 | 1 |
| 10 | •7YZM610001++H01 | ACCESS SADDLE | | | | 3 | 3 | 3 |
| 101 | 7BB600306H | +BIND M SCREW 3X6 R | | | | | | |
| 102 | 7BB100408H1 | +BIND T.T S SCREW 4X8 | | | | | | |

FIG. 64 Options 2

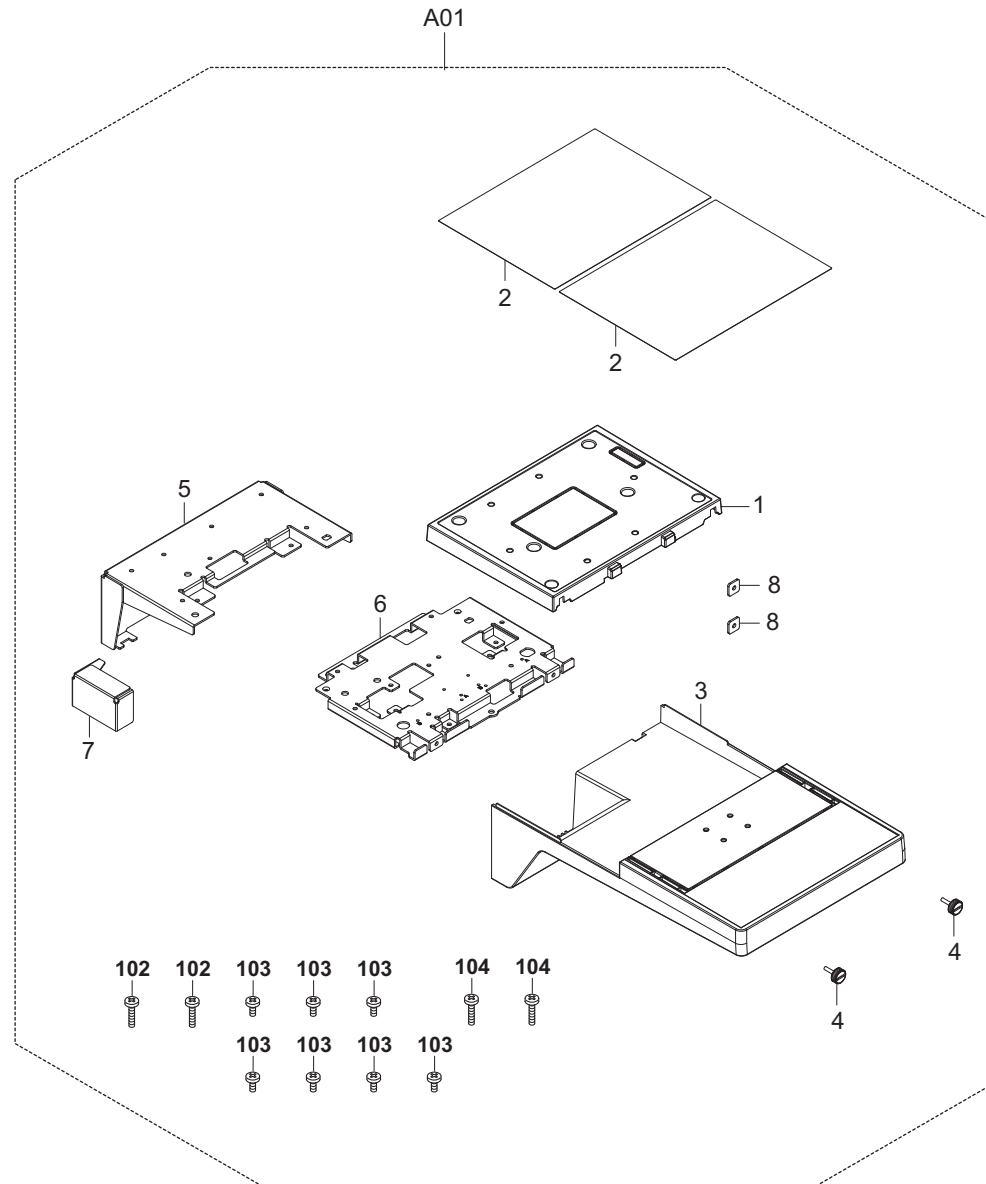


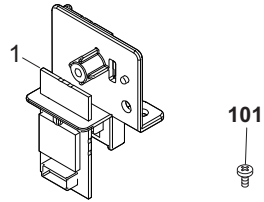
FIG. 64 Options 2

2XP/2XN

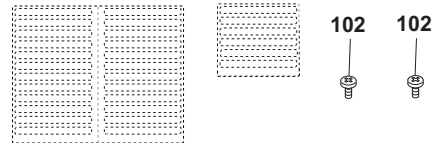
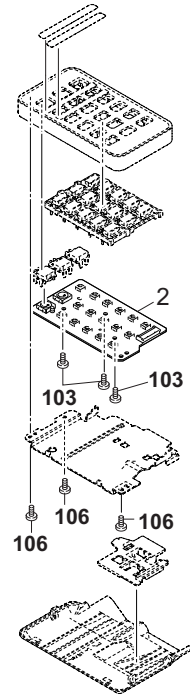
| Ref No. | Part.No. | Description | Notes | Revision | Quantity | | | |
|---------|-------------|------------------------------|--------|----------|----------|-----|-----|-----|
| | | | | | 100 | 120 | 230 | 240 |
| A01 | 1902LC0UN2 | DT-730(B)/DOCUMENT TRAY | OPTION | | 1 | 1 | 1 | 1 |
| 1 | •302LC04601 | COVER TRAY | | | 1 | 1 | 1 | 1 |
| 2 | •302LC04660 | SHEET TRAY | | | 2 | 2 | 2 | 2 |
| 3 | •302LC04710 | COVER TRAY LOWER | | | 1 | 1 | 1 | 1 |
| 4 | •303NS24410 | SCREW PLATE DF | | | 2 | 2 | 2 | 2 |
| 5 | •302LC04611 | STAY TRAY | | | 1 | 1 | 1 | 1 |
| 6 | •302LC04621 | MOUNT TRAY | | | 1 | 1 | 1 | 1 |
| 7 | •302LC04670 | PLATE TRAY | | | 1 | 1 | 1 | 1 |
| 8 | •3CY06030 | RETAINER M4 | | | 2 | 2 | 2 | 2 |
| 101 | 7BB700308H | +BIND T.T S SCREW 3X8 SR | | | | | | |
| 102 | 7BB200308H | +BIND T.T P SCREW 3X8 | | | | | | |
| 103 | 7BB607414H | +TP-CUP M SCREW 4X14 R | | | | | | |
| 104 | 7BB180408H | +BIND T.T S SCREW 4X8(BLACK) | | | | | | |

FIG. 65 Options 3

IB-35



NK-7120/NK-7130



KEYBOARD HOLDER 10

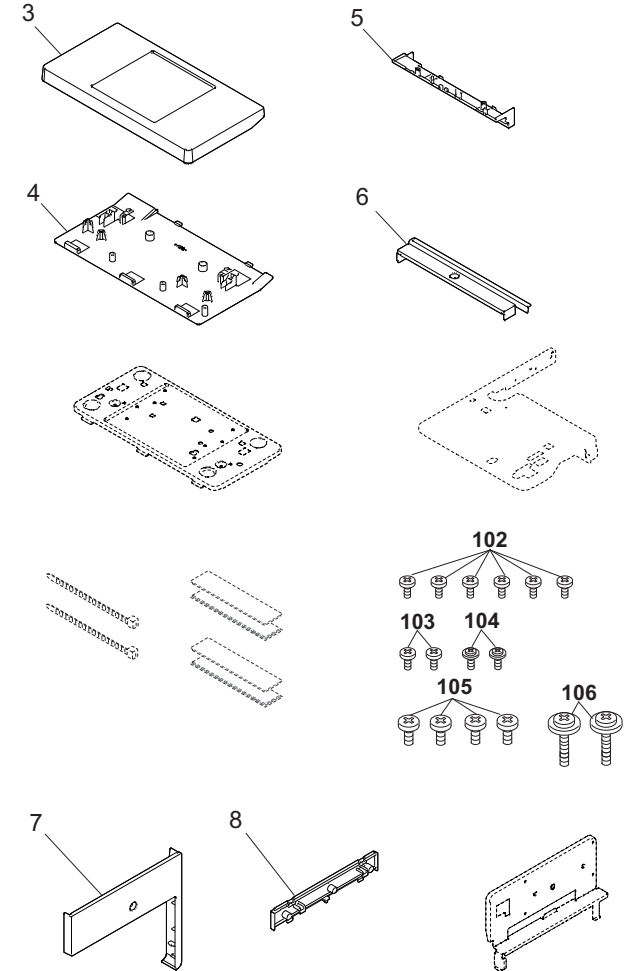


FIG. 65 Options 3

2XP/2XN

| Ref No. | Part.No. | Description | Notes | Revision | Quantity | | | |
|---------|------------|------------------------------------|-------|----------|----------|-----|-----|-----|
| | | | | | 100 | 120 | 230 | 240 |
| 1 | 303RR94010 | PARTS WIFI UNIT SP | | | 1 | 1 | 1 | 1 |
| 2 | 303T094010 | PARTS PWB 10KEY ASSY SP | | | 1 | 1 | 1 | 1 |
| 3 | 309AN02030 | COVER KEYBOARD TOP | | | | 1 | 1 | 1 |
| 4 | 309AN02040 | COVER KEYBOARD BOTTOM | | | | 1 | 1 | 1 |
| 5 | 309AN02060 | COVER REAR BOTTOM A | | | | 1 | 1 | 1 |
| 6 | 309AN02080 | COVER REAR TOP B | | | | 1 | 1 | 1 |
| 7 | 309AN02050 | COVER REAR TOP A | | | | 1 | 1 | 1 |
| 8 | 309AN02070 | COVER REAR BOTTOM B | | | | 1 | 1 | 1 |
| 101 | 7BB600306H | +BIND M SCREW 3X6 R | | | | | | |
| 102 | 7BB700308H | +BIND T.T S SCREW 3X8 SR | | | | | | |
| 103 | 7BB200308H | +BIND T.T P SCREW 3X8 | | | | | | |
| 104 | 7BB782308H | +TP-FLAT T.T S SCREW 3X8 SR(BLACK) | | | | | | |
| 105 | 7BB700408H | +BIND T.T S SCREW 4X8 SR | | | | | | |
| 106 | 7BB702420H | +TP-FLAT T T S SCREW 4X20 SR | | | | | | |

FIG. 66 Accessories

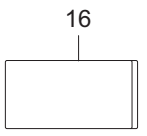
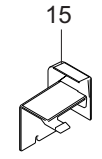
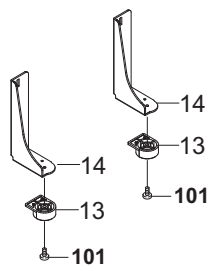
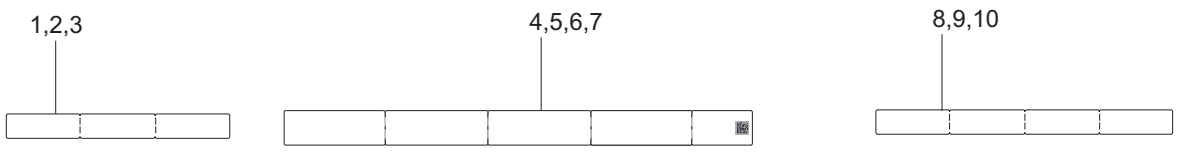


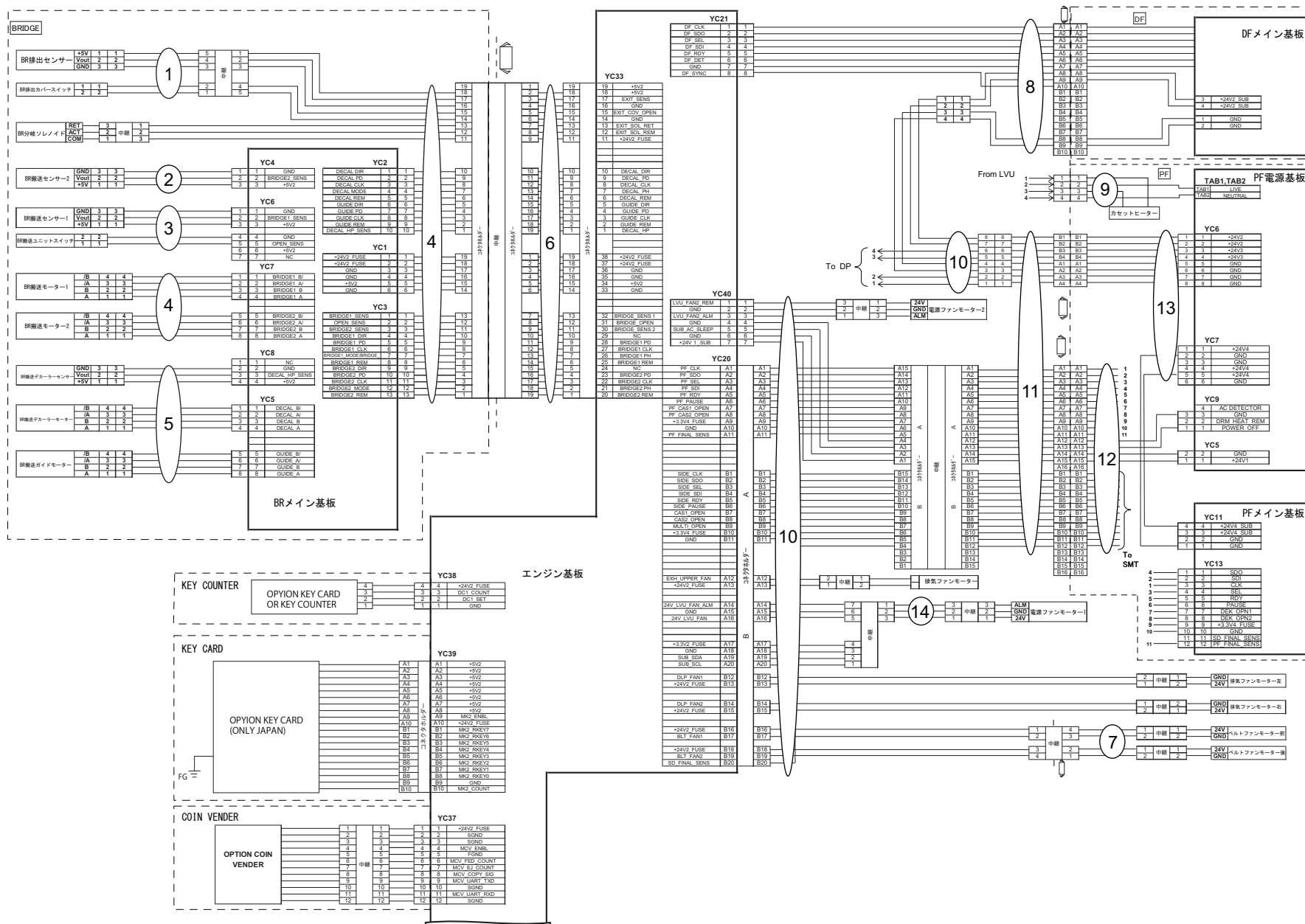
FIG. 66 Accessories

2XP/2XN

| Ref No. | Part.No. | Description | Notes | Revision | Quantity | | | |
|---------|------------|-------------------------------------|--|----------|----------|-----|-----|-----|
| | | | | | 100 | 120 | 230 | 240 |
| 1 | 302ND34180 | SHEET PAPER MEDIA EN | English | | | 4 | 4 | 4 |
| 2 | 302ND34170 | SHEET PAPER SIZE M JP | | 4 | | | | |
| 3 | 303RC34020 | SHEET PAPER SIZE I C | | | | 2 | | |
| 4 | 302ND34380 | SHEET PAPER MEDIA FRA SPA | French/Spanish | | | 4 | 4 | |
| 5 | 302ND34390 | SHEET PAPER MEDIA PTB | Brazilian Portuguese | | | 4 | 4 | |
| 6 | 302ND34370 | SHEET PAPER MEDIA GER ITA | German/Italian | | | | 4 | |
| 7 | 302ND34400 | SHEET PAPER MEDIA DUT RUS | Dutch/Russian | | | | 4 | |
| 8 | 302ND34130 | SHEET PAPER SIZE M B | | 4 | | | 4 | 4 |
| 9 | 302NH34800 | SHEET PAPER SIZE M D | | 2 | | | 2 | 2 |
| 10 | 302NH34790 | SHEET PAPER SIZE I D | | | | 2 | | |
| 11 | 302NH34450 | LABEL SW CAUTION SET A | French/Spanish/Brazilian Portuguese | | | 1 | | |
| 12 | 302NH34350 | LABEL SW CAUTION SET B | German/Italian/Dutch/Russian/French/Spanish/Brazilian Portuguese | | | | 1 | |
| 13 | 302FZ02600 | FOOT | | 2 | 2 | 2 | 2 | 2 |
| 14 | 303NF02330 | PLATE FULCRUM | | 2 | 2 | 2 | 2 | 2 |
| 15 | 302NH33051 | LID DISPOSAL B | | 1 | 1 | 1 | 1 | 1 |
| 16 | 303R834190 | LABEL CLEANING | | 1 | | | | |
| 101 | 7BB782410H | +TP-FLAT T.T S SCREW 4x10 SR(BLACK) | | | | | | |

FIG. 67 Maintenance Kits

| Ref No. | Part.No. | Description | Notes | Revision | Quantity | | | |
|---------|-------------|-----------------------------------|--------|----------|----------|-----|-----|-----|
| | | | | | 100 | 120 | 230 | 240 |
| | 1702NH9JP1 | MK-8725A/MAINTENANCE KIT | OPTION | | 1 | | | |
| | •302LC33370 | FILTER LEFT SIDE | | | 1 | | | |
| | •302N406030 | PULLEY FEED | | | 8 | | | |
| | •302N406040 | PULLEY RETARD | | | 4 | | | |
| | •302WA33010 | FILTER TOP | | | 3 | | | |
| | •302NH94440 | PARTS ROLLER SECONDLY TRANSFER SP | | | 1 | | | |
| | •302NH94084 | PARTS DISPOSAL UNIT(M3) SP | | | 1 | | | |
| | •302NH93061 | DK-8720 | | | 1 | | | |
| | •302NH9J020 | DV-8720K(J) | | | 1 | | | |
| | •302NH93142 | TR-8720 | | | 1 | | | |
| | •302NH93085 | FK-8720 | | | 1 | | | |
| | 1702NH7US1 | MK-8725A/MAINTENANCE KIT | OPTION | | | 1 | | |
| | •302LC33370 | FILTER LEFT SIDE | | | | 1 | | |
| | •302N406030 | PULLEY FEED | | | | 8 | | |
| | •302N406040 | PULLEY RETARD | | | | 4 | | |
| | •302WA33010 | FILTER TOP | | | | 3 | | |
| | •302NH94440 | PARTS ROLLER SECONDLY TRANSFER SP | | | | 1 | | |
| | •302NH94084 | PARTS DISPOSAL UNIT(M3) SP | | | | 1 | | |
| | •302NH93061 | DK-8720 | | | | 1 | | |
| | •302NH93020 | DV-8720K | | | | 1 | | |
| | •302NH93142 | TR-8720 | | | | 1 | | |
| | •302NH93094 | FK-8721 | | | | 1 | | |
| | 1702NH8NL1 | MK-8725A/MAINTENANCE KIT | OPTION | | | | 1 | 1 |
| | •302LC33370 | FILTER LEFT SIDE | | | | | 1 | 1 |
| | •302N406030 | PULLEY FEED | | | | | 8 | 8 |
| | •302N406040 | PULLEY RETARD | | | | | 4 | 4 |
| | •302WA33010 | FILTER TOP | | | | | 3 | 3 |
| | •302NH94440 | PARTS ROLLER SECONDLY TRANSFER SP | | | | | 1 | 1 |
| | •302NH94084 | PARTS DISPOSAL UNIT(M3) SP | | | | | 1 | 1 |
| | •302NH93061 | DK-8720 | | | | | 1 | 1 |
| | •302NH93020 | DV-8720K | | | | | 1 | 1 |
| | •302NH93142 | TR-8720 | | | | | 1 | 1 |
| | •302NH93104 | FK-8722 | | | | | 1 | 1 |
| | 1702NH0UN0 | MK-8725B/MAINTENANCE KIT | OPTION | | 1 | | | |
| | •302NH9J030 | DV-8720C(J) | | | 1 | | | |
| | •302NH9J040 | DV-8720M(J) | | | 1 | | | |
| | •302NH9J050 | DV-8720Y(J) | | | 1 | | | |
| | •302NH93061 | DK-8720 | | | 3 | | | |
| | 1702NH0UN0 | MK-8725B/MAINTENANCE KIT | OPTION | | | 1 | 1 | 1 |
| | •302NH93030 | DV-8720C | | | | 1 | 1 | 1 |
| | •302NH93040 | DV-8720M | | | | 1 | 1 | 1 |
| | •302NH93050 | DV-8720Y | | | | 1 | 1 | 1 |
| | •302NH93061 | DK-8720 | | | | 3 | 3 | 3 |



Appendix. 1 Wire section 1 Engine(JA)

2XP/2XN

| Ref No. | Part.No. | Description | Notes | Revision | Quantity | | | |
|---------|------------|---------------------------------|--|----------|----------|-----|-----|-----|
| | | | | | 100 | 120 | 230 | 240 |
| 1 | 302LF46B60 | WIRE EXIT SENSOR | | | 1 | | | |
| 2 | 302LF46B50 | WIRE FEED SENSOR | | | 1 | | | |
| 3 | 302LF46B40 | WIRE OPEN SWITCH | | | 1 | | | |
| 4 | 302NH46A70 | CONN.CORD ASSY BRIDGE INTERFACE | | | 1 | | | |
| 5 | 302LF46B30 | WIRE GUIDE MOTOR | | | 1 | | | |
| 6 | 302XT46030 | CONN.CORD ASSY BRIDGE JOINT | | | 1 | | | |
| 7 | 302K946650 | WIRE BELT FAN | | | 1 | | | |
| 8 | 302NH46A80 | CONN.CORD ASSY DF JOINT | | | 1 | | | |
| 9 | 302NH46670 | CONN.CORD ASSY FD LVU AC | Relative Fig.No.:Appendix.16 | | 1 | | | |
| 10 | 302NH46060 | CONN.CORD ASSY HVU MAIN | Relative Fig.No.:Appendix.2, Appendix.7, Appendix.11 | | 1 | | | |
| 11 | 302NH46800 | CONN.CORD ASSY PF JOINT | | | 1 | | | |
| 12 | 302NH46810 | CONN.CORD ASSY FD ENGINE I/F | Relative Fig.No.:Appendix.16 | | 1 | | | |
| 13 | 302XN46010 | CONN.CORD ASSY FD LVU | Relative Fig.No.:Appendix.16 | | 1 | | | |
| 14 | 302NH46660 | CONN.CORD ASSY LVU FAN | | | 1 | | | |

• Wire Section indicates all the wires/FFCs containing them in other FIGs.

• Wire Section には全ての電線 /FFC (他 FIG の電線 /FFC 含む) を掲載しています。

Appendixes. 2 Wire section 2 LSU(JA)

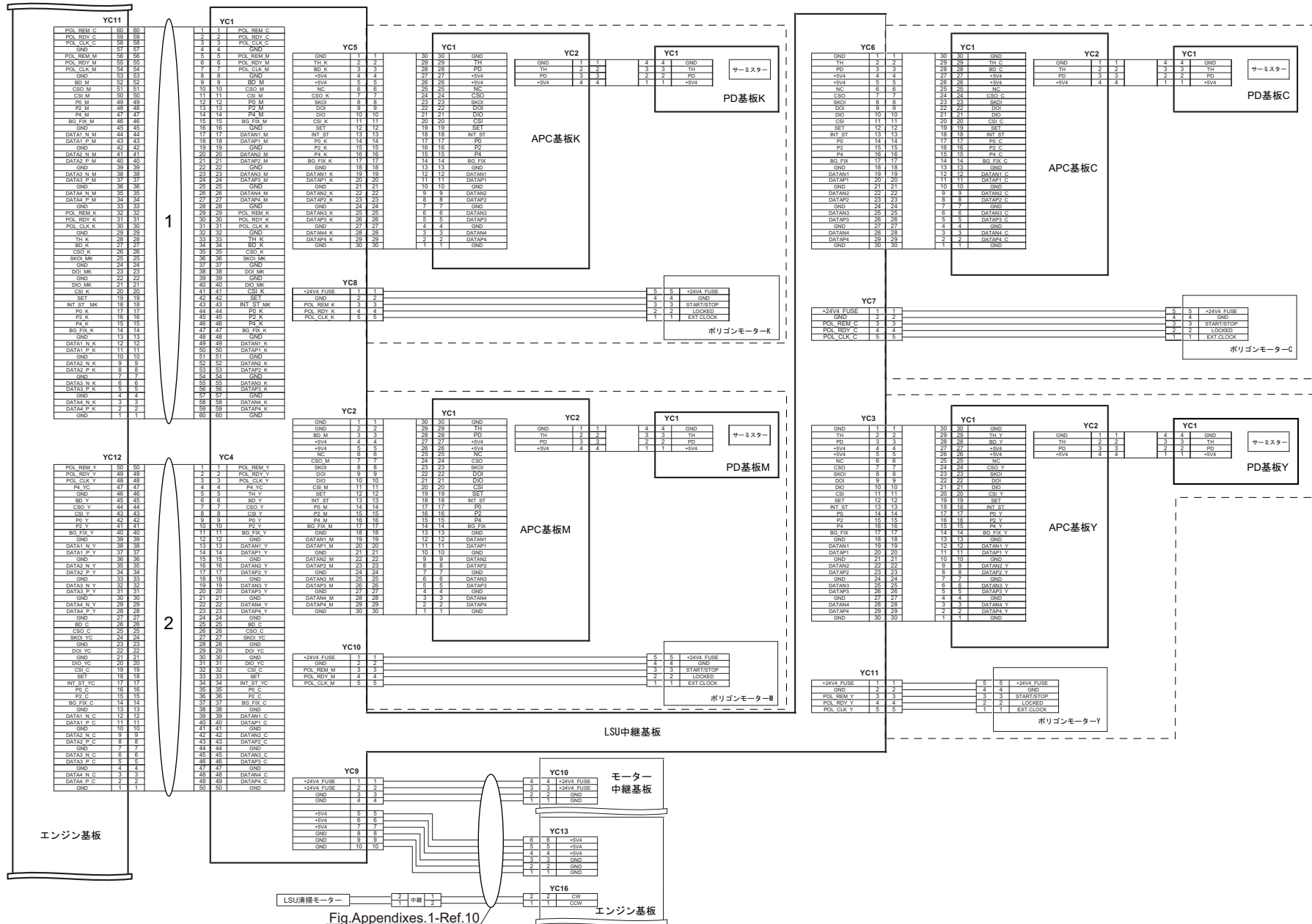


Fig. Appendixes. 1-Ref. 10

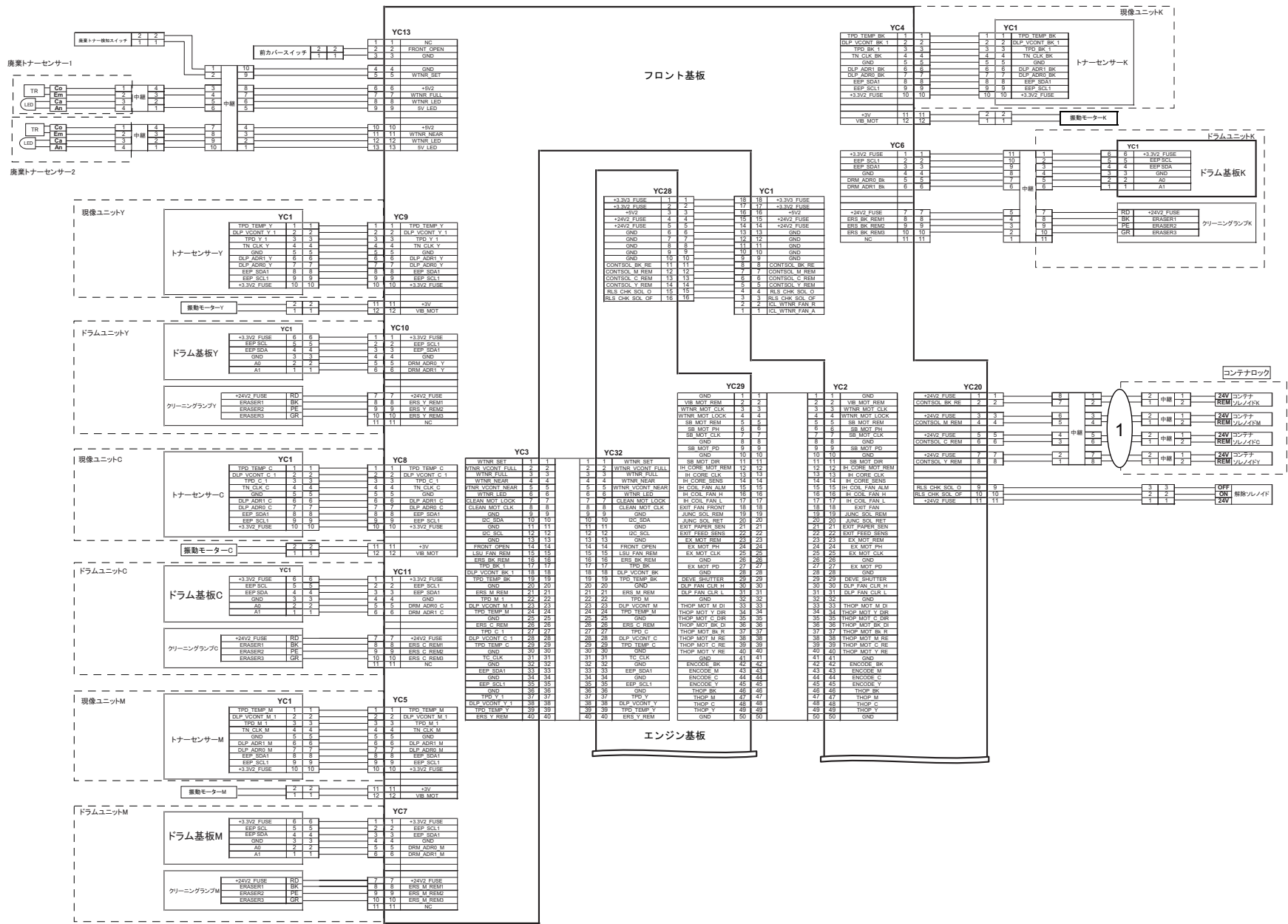
Appendix 2 Wire section 2 LSU(JA)

2XP/2XN

| Ref No. | Part.No. | Description | Notes | Revision | Quantity | | | |
|---------|------------|-----------------------|-------|----------|----------|-----|-----|-----|
| | | | | | 100 | 120 | 230 | 240 |
| 1 | 302NH94490 | PARTS FFC LSU1 SET SP | | | 1 | | | |
| 2 | 302NH94500 | PARTS FFC LSU2 SET SP | | | 1 | | | |
| | | | | | | | | |
| | | | | | | | | |
| | | | | | | | | |
| | | | | | | | | |
| | | | | | | | | |
| | | | | | | | | |
| | | | | | | | | |
| | | | | | | | | |
| | | | | | | | | |
| | | | | | | | | |
| | | | | | | | | |
| | | | | | | | | |
| | | | | | | | | |
| | | | | | | | | |
| | | | | | | | | |
| | | | | | | | | |
| | | | | | | | | |
| | | | | | | | | |
| | | | | | | | | |
| | | | | | | | | |
| | | | | | | | | |
| | | | | | | | | |
| | | | | | | | | |
| | | | | | | | | |
| | | | | | | | | |

• Wire Section indicates all the wires/FFCs containing them in other FIGs.

• Wire Section には全ての電線 /FFC (他 FIG の電線 /FFC 含む) を掲載しています。



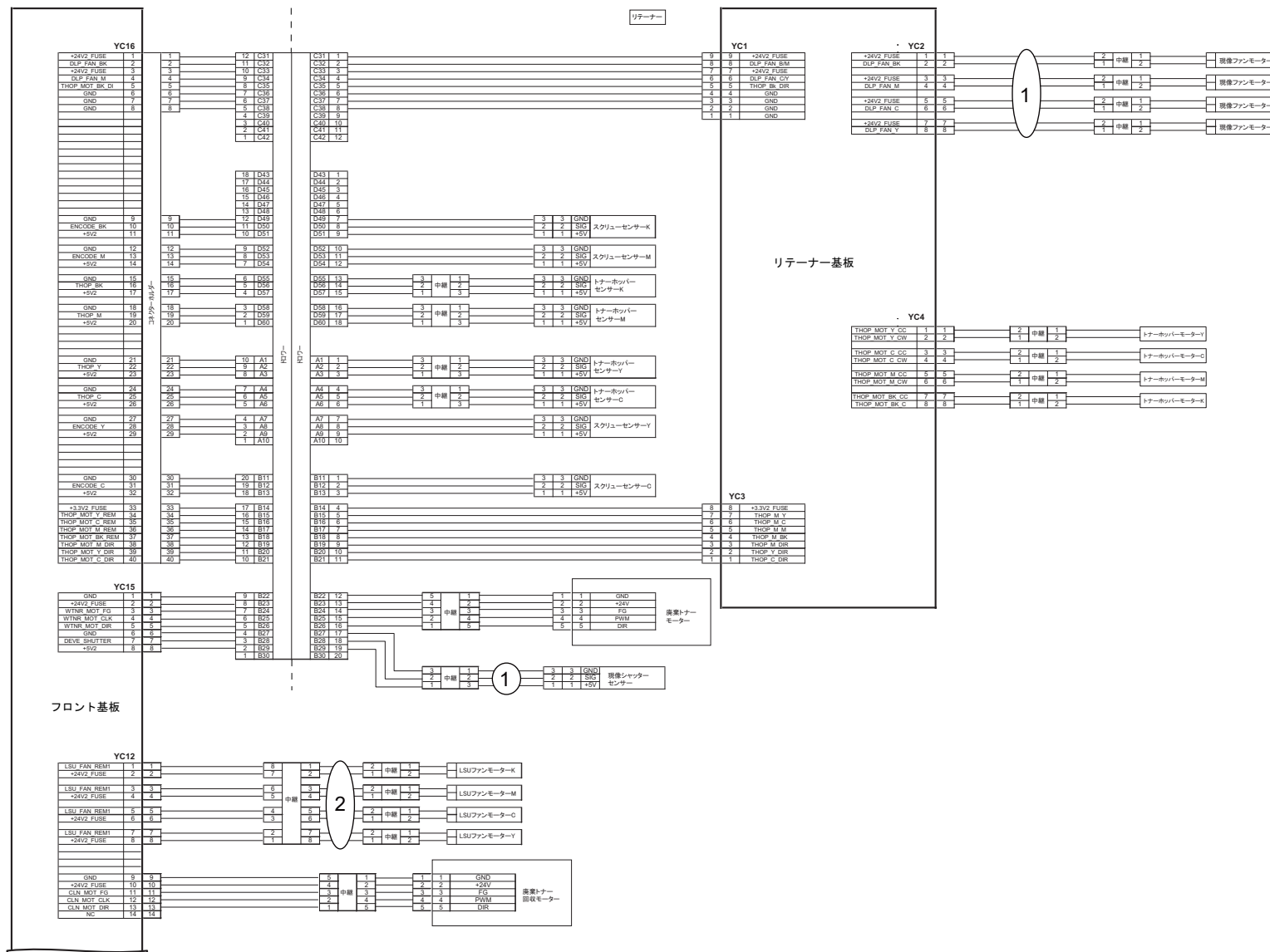
Appendix. 3 Wire section 3 Front-1(JA)

2XP/2XN

| Ref No. | Part.No. | Description | Notes | Revision | Quantity | | | |
|---------|------------|--------------------------|-------|----------|----------|-----|-----|-----|
| | | | | | 100 | 120 | 230 | 240 |
| 1 | 302NH46980 | CONN.CORD ASSY CONT LOCK | | | 1 | | | |
| | | | | | | | | |
| | | | | | | | | |
| | | | | | | | | |
| | | | | | | | | |
| | | | | | | | | |
| | | | | | | | | |
| | | | | | | | | |
| | | | | | | | | |
| | | | | | | | | |
| | | | | | | | | |
| | | | | | | | | |
| | | | | | | | | |
| | | | | | | | | |
| | | | | | | | | |
| | | | | | | | | |
| | | | | | | | | |
| | | | | | | | | |
| | | | | | | | | |
| | | | | | | | | |
| | | | | | | | | |
| | | | | | | | | |
| | | | | | | | | |
| | | | | | | | | |
| | | | | | | | | |
| | | | | | | | | |

• Wire Section indicates all the wires/FFCs containing them in other FIGs.

• Wire Section には全ての電線 /FFC (他 FIG の電線 /FFC 含む) を掲載しています。



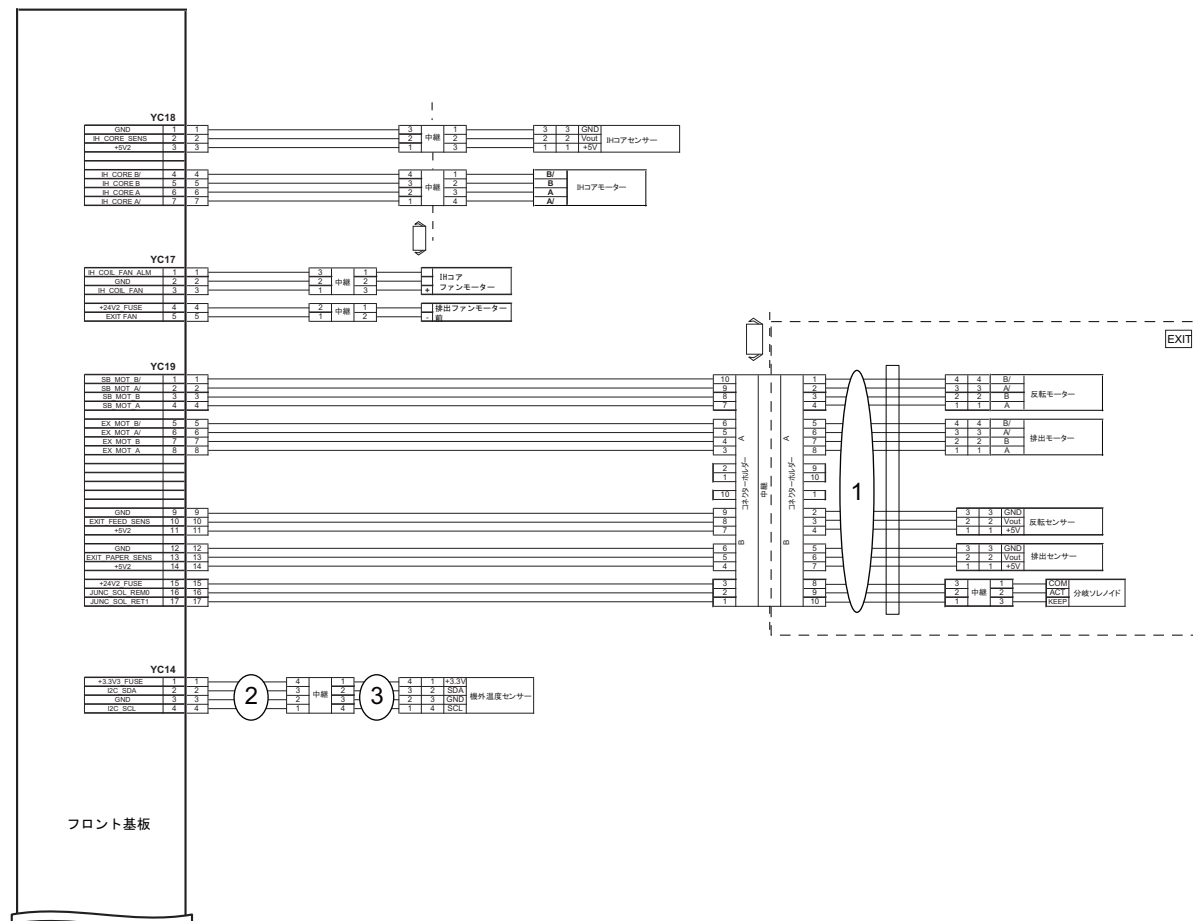
Appendixes. 4 Wire section 4 Front-2(JA)

2XP/2XN

| Ref No. | Part.No. | Description | Notes | Revision | Quantity | | | |
|---------|------------|------------------------|-------|----------|----------|-----|-----|-----|
| | | | | | 100 | 120 | 230 | 240 |
| 1 | 302NH46A40 | CONN.CORD ASSY DLP FAN | | | 1 | | | |
| 2 | 302K946AM0 | WIRE LSU FAN | | | 1 | | | |
| | | | | | | | | |
| | | | | | | | | |
| | | | | | | | | |
| | | | | | | | | |
| | | | | | | | | |
| | | | | | | | | |
| | | | | | | | | |
| | | | | | | | | |
| | | | | | | | | |
| | | | | | | | | |
| | | | | | | | | |
| | | | | | | | | |
| | | | | | | | | |
| | | | | | | | | |
| | | | | | | | | |
| | | | | | | | | |
| | | | | | | | | |
| | | | | | | | | |
| | | | | | | | | |
| | | | | | | | | |
| | | | | | | | | |
| | | | | | | | | |
| | | | | | | | | |
| | | | | | | | | |
| | | | | | | | | |
| | | | | | | | | |
| | | | | | | | | |
| | | | | | | | | |
| | | | | | | | | |
| | | | | | | | | |
| | | | | | | | | |
| | | | | | | | | |

• Wire Section indicates all the wires/FFCs containing them in other FIGs.

• Wire Section には全ての電線 /FFC（他 FIG の電線 /FFC 含む）を掲載しています。



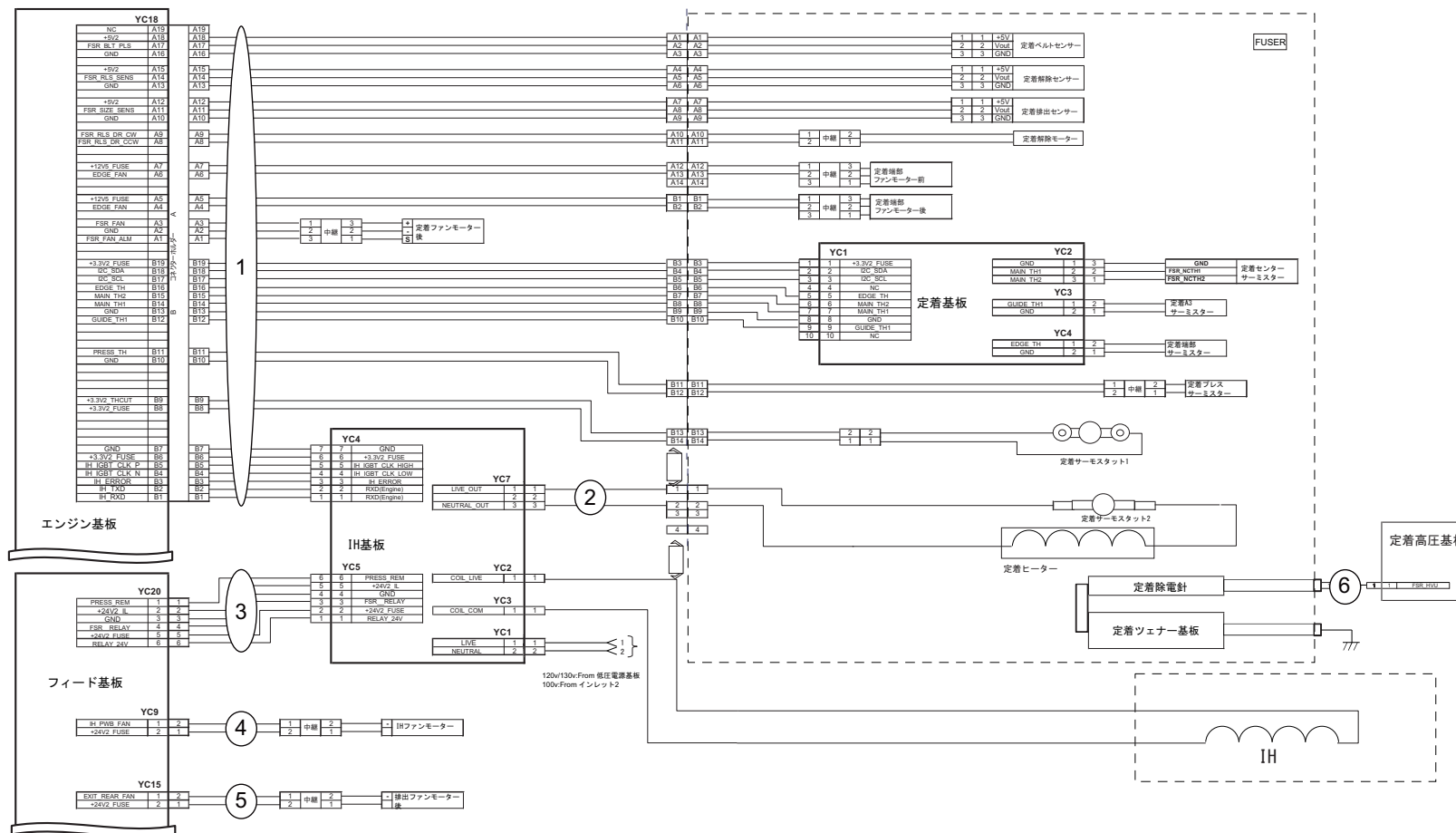
Appendix 5 Wire section 5 Front-3(JA)

2XP/2XN

| Ref No. | Part.No. | Description | Notes | Revision | Quantity | | | |
|---------|------------|----------------------------------|-------|----------|----------|-----|-----|-----|
| | | | | | 100 | 120 | 230 | 240 |
| 1 | 302NH46330 | CONN.CORD ASSY EXIT | | | 1 | | | |
| 2 | 302NH46940 | CONN.CORD ASSY WIRE SENSOR JOINT | | | 1 | | | |
| 3 | 302LF46230 | WIRE FRONT LOW | | | 1 | | | |
| | | | | | | | | |
| | | | | | | | | |
| | | | | | | | | |
| | | | | | | | | |
| | | | | | | | | |
| | | | | | | | | |
| | | | | | | | | |
| | | | | | | | | |
| | | | | | | | | |
| | | | | | | | | |
| | | | | | | | | |
| | | | | | | | | |
| | | | | | | | | |
| | | | | | | | | |
| | | | | | | | | |
| | | | | | | | | |
| | | | | | | | | |
| | | | | | | | | |
| | | | | | | | | |
| | | | | | | | | |
| | | | | | | | | |
| | | | | | | | | |
| | | | | | | | | |
| | | | | | | | | |
| | | | | | | | | |

• Wire Section indicates all the wires/FFCs containing them in other FIGs.

• Wire Section には全ての電線 /FFC (他 FIG の電線 /FFC 含む) を掲載しています。



Appendixes. 6 Wire section 6 Fuser(JA)

2XP/2XN

| Ref No. | Part.No. | Description | Notes | Revision | Quantity | | | |
|---------|------------|-----------------------------------|--------------------------------|----------|----------|-----|-----|-----|
| | | | | | 100 | 120 | 230 | 240 |
| 1 | 302NH46450 | CONN.CORD ASSY FUSER JOINT | | | 1 | | | |
| 2 | 302NH46730 | CONN.CORD ASSY IH PWB | | | 1 | | | |
| 3 | 302NH46070 | CONN.CORD ASSY IH RELAY | | | 1 | | | |
| 4 | 302NH46370 | CONN.CORD ASSY INTERLOCK | Relative Fig.No.:Appendixes.11 | | 1 | | | |
| 5 | 302NH46510 | CONN.CORD ASSY JOBSEPARATOR JOINT | Relative Fig.No.:Appendixes.7 | | 1 | | | |
| 6 | 302NH46A20 | CONN.CORD ASSY FUSER HVU2 | | | 1 | | | |
| | | | | | | | | |
| | | | | | | | | |
| | | | | | | | | |
| | | | | | | | | |
| | | | | | | | | |
| | | | | | | | | |
| | | | | | | | | |
| | | | | | | | | |
| | | | | | | | | |
| | | | | | | | | |
| | | | | | | | | |
| | | | | | | | | |
| | | | | | | | | |
| | | | | | | | | |
| | | | | | | | | |
| | | | | | | | | |
| | | | | | | | | |
| | | | | | | | | |
| | | | | | | | | |
| | | | | | | | | |
| | | | | | | | | |
| | | | | | | | | |
| | | | | | | | | |
| | | | | | | | | |
| | | | | | | | | |
| | | | | | | | | |
| | | | | | | | | |
| | | | | | | | | |
| | | | | | | | | |
| | | | | | | | | |
| | | | | | | | | |
| | | | | | | | | |
| | | | | | | | | |
| | | | | | | | | |
| | | | | | | | | |
| | | | | | | | | |
| | | | | | | | | |

• Wire Section indicates all the wires/FFCs containing them in other FIGs.

• Wire Section には全ての電線 / FFC（他 FIG の電線 / FFC 含む）を掲載しています。

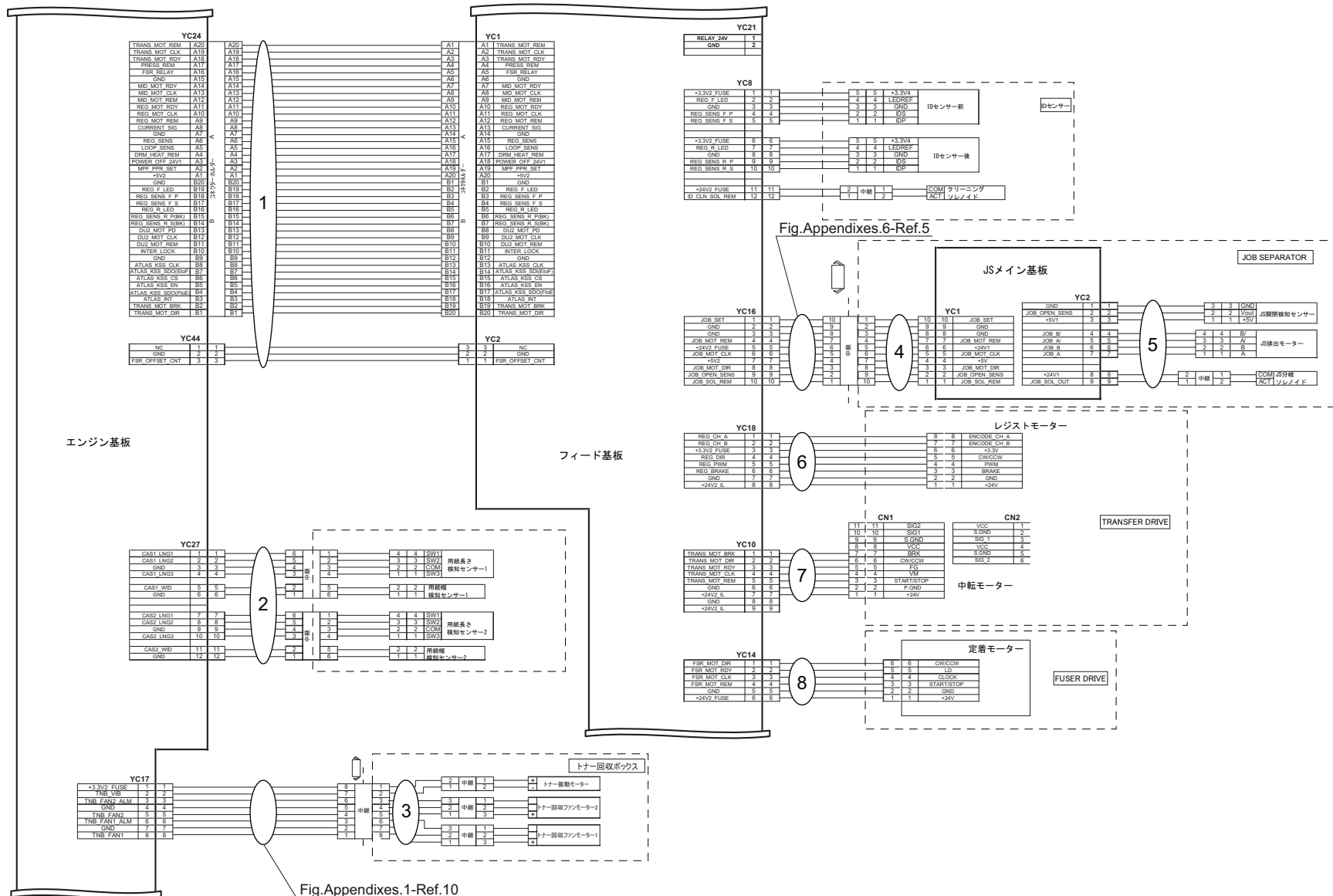


Fig. Appendixes. 6-Ref. 5

Fig. Appendixes. 1-Ref. 10

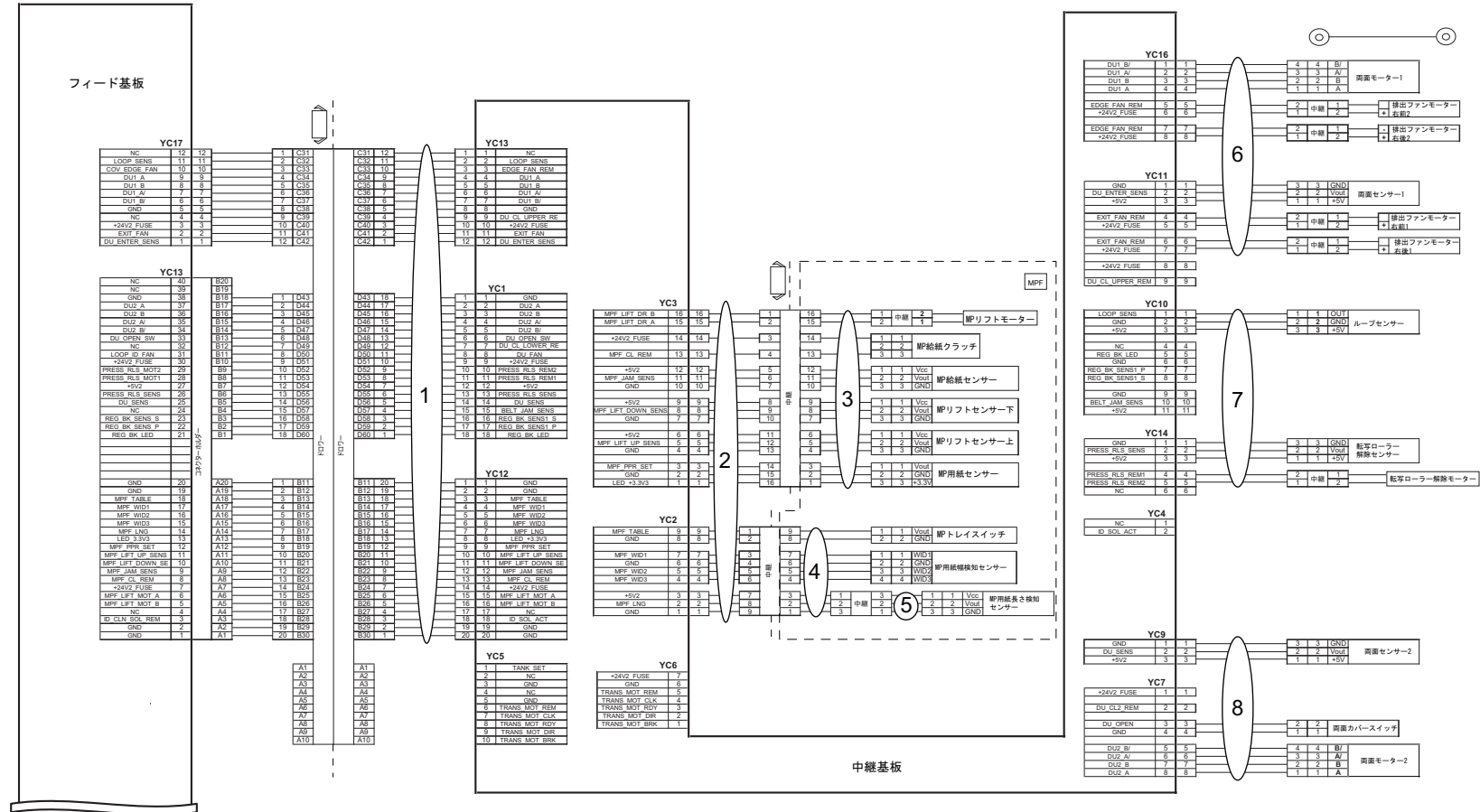
Appendixes. 7 Wire section 7 Feed-1(JA)

2XP/2XN

| Ref No. | Part.No. | Description | Notes | Revision | Quantity | | | |
|---------|------------|---------------------------------------|--------------------------------|----------|----------|-----|-----|-----|
| | | | | | 100 | 120 | 230 | 240 |
| 1 | 302NH46140 | CONN.CORD ASSY FEED1 | Relative Fig.No.:Appendixes.11 | | 1 | | | |
| 2 | 302NH46200 | CONN.CORD ASSY LIFT MOTOR | Relative Fig.No.:Appendixes.9 | | 1 | | | |
| 3 | 302NH46B00 | CONN.CORD ASSY TONER DUCT FAN A JOINT | | | 1 | | | |
| 4 | 303NM46010 | WIRE INTERFACE | | | 1 | | | |
| 5 | 303NM46020 | WIRE JOB SEPARATOR | | | 1 | | | |
| 6 | 302NH46220 | CONN.CORD ASSY REGIST MOTOR | | | 1 | | | |
| 7 | 302NH46210 | CONN.CORD ASSY MIDDLE TRANSFER MOTOR | | | 1 | | | |
| 8 | 302NH46020 | CONN.CORD ASSY FUSER MOTOR H | | | 1 | | | |
| | | | | | | | | |
| | | | | | | | | |
| | | | | | | | | |
| | | | | | | | | |
| | | | | | | | | |
| | | | | | | | | |
| | | | | | | | | |
| | | | | | | | | |
| | | | | | | | | |
| | | | | | | | | |
| | | | | | | | | |
| | | | | | | | | |
| | | | | | | | | |
| | | | | | | | | |
| | | | | | | | | |
| | | | | | | | | |
| | | | | | | | | |

• Wire Section indicates all the wires/FFCs containing them in other FIGs.

• Wire Section には全ての電線 /FFC (他 FIG の電線 /FFC 含む) を掲載しています。



Appendixes. 8 Wire section 8 Feed-2(JA)

2XP/2XN

| Ref No. | Part.No. | Description | Notes | Revision | Quantity | | | |
|---------|------------|--------------------------|-------|----------|----------|-----|-----|-----|
| | | | | | 100 | 120 | 230 | 240 |
| 1 | 302NH46840 | CONN.CORD ASSY CONVEYING | | | 1 | | | |
| 2 | 302LC46480 | WIRE MPF JOINT | | | 1 | | | |
| 3 | 302K946370 | WIRE MPF | | | 1 | | | |
| 4 | 302K946380 | WIRE MPF TRAY | | | 1 | | | |
| 5 | 302K946600 | WIRE MPF SIZE DETECTION | | | 1 | | | |
| 6 | 302LC46240 | WIRE DU UPPER | | | 1 | | | |
| 7 | 302NH46820 | CONN.CORD ASSY DU LOW | | | 1 | | | |
| 8 | 302NH46830 | CONN.CORD ASSY DU SENSOR | | | 1 | | | |
| | | | | | | | | |
| | | | | | | | | |
| | | | | | | | | |
| | | | | | | | | |
| | | | | | | | | |
| | | | | | | | | |
| | | | | | | | | |
| | | | | | | | | |
| | | | | | | | | |
| | | | | | | | | |
| | | | | | | | | |
| | | | | | | | | |
| | | | | | | | | |
| | | | | | | | | |
| | | | | | | | | |
| | | | | | | | | |
| | | | | | | | | |
| | | | | | | | | |
| | | | | | | | | |
| | | | | | | | | |
| | | | | | | | | |

• Wire Section indicates all the wires/FPCs containing them in other FIGs.

• Wire Section には全ての電線 /FPC（他 FIG の電線 /FPC 含む）を掲載しています。

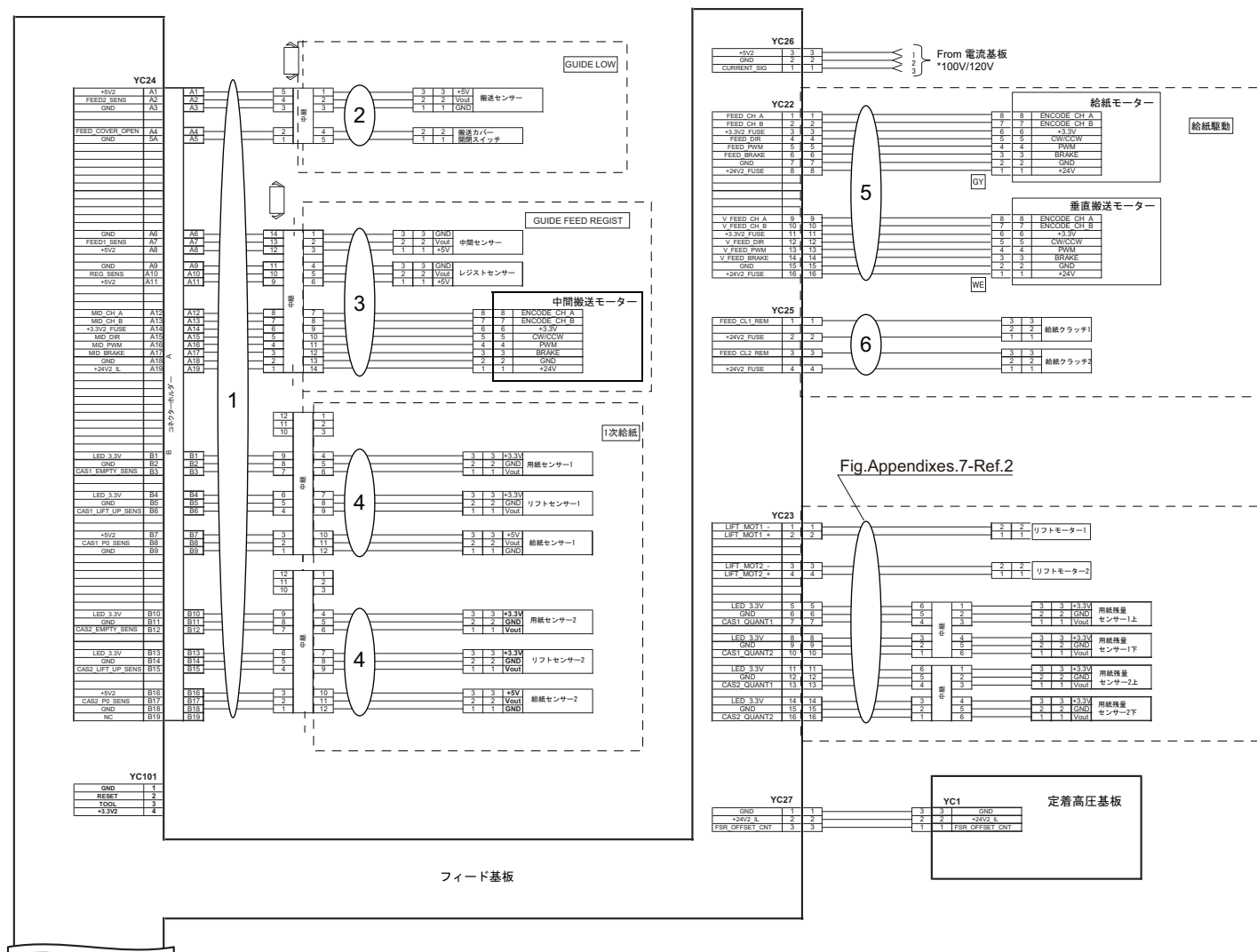


Fig.Appendixes.7-Ref.2

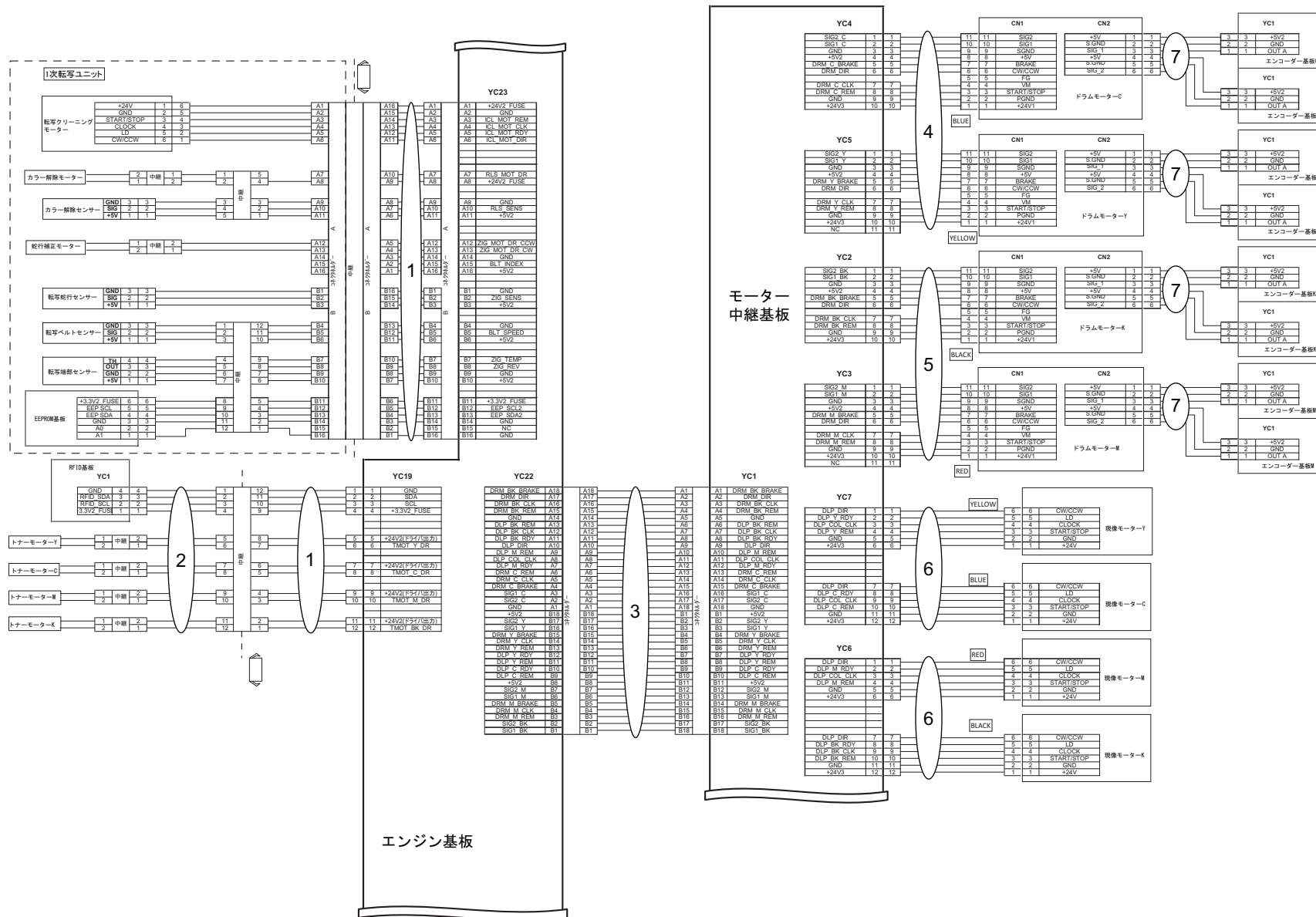
Appendix. 9 Wire section 9 Feed-3(JA)

2XP/2XN

| Ref No. | Part.No. | Description | Notes | Revision | Quantity | | | |
|---------|------------|----------------------------------|-------|----------|----------|-----|-----|-----|
| | | | | | 100 | 120 | 230 | 240 |
| 1 | 302NH46260 | CONN.CORD ASSY FEED JOINT | | | 1 | | | |
| 2 | 302NH46710 | CONN.CORD ASSY GUIDE FEED LOW | | | 1 | | | |
| 3 | 302NH46360 | CONN.CORD ASSY GUIDE FEED MIDDLE | | | 1 | | | |
| 4 | 302N446280 | WIRE PRIMARY FEED UNIT | | | 2 | | | |
| 5 | 302NH46350 | CONN.CORD ASSY FEED MOTOR | | | 1 | | | |
| 6 | 302NH46340 | CONN.CORD ASSY FEED CLUTCH | | | 1 | | | |
| | | | | | | | | |
| | | | | | | | | |
| | | | | | | | | |
| | | | | | | | | |
| | | | | | | | | |
| | | | | | | | | |
| | | | | | | | | |
| | | | | | | | | |
| | | | | | | | | |
| | | | | | | | | |
| | | | | | | | | |
| | | | | | | | | |
| | | | | | | | | |
| | | | | | | | | |
| | | | | | | | | |
| | | | | | | | | |
| | | | | | | | | |
| | | | | | | | | |
| | | | | | | | | |
| | | | | | | | | |
| | | | | | | | | |
| | | | | | | | | |
| | | | | | | | | |
| | | | | | | | | |
| | | | | | | | | |
| | | | | | | | | |

• Wire Section indicates all the wires/FFCs containing them in other FIGs.

• Wire Section には全ての電線 /FFC (他 FIG の電線 /FFC 含む) を掲載しています。



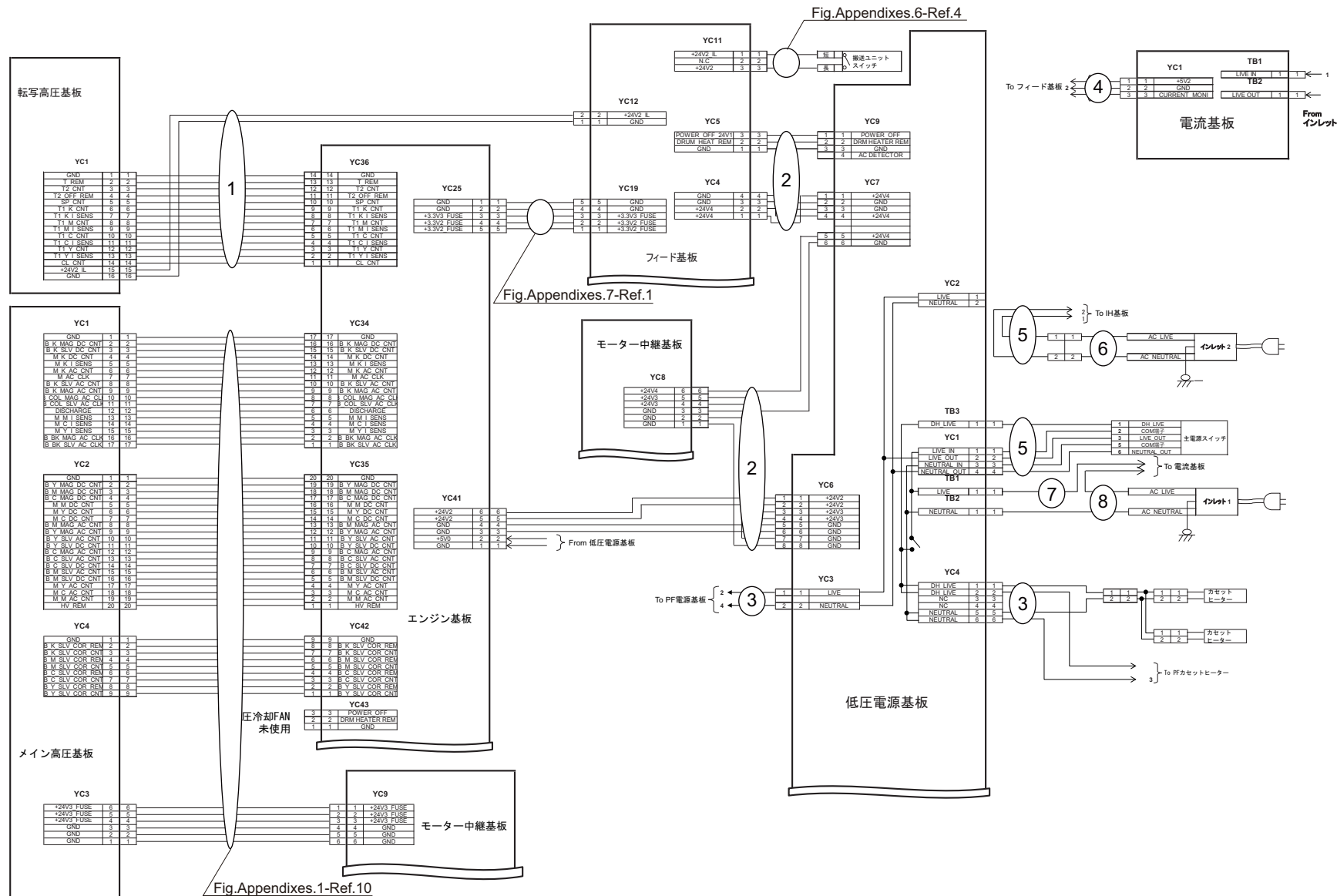
Appendixes. 10 Wire section 10 Motor(JA)

2XP/2XN

| Ref No. | Part.No. | Description | Notes | Revision | Quantity | | | |
|---------|------------|-------------------------------|-------|----------|----------|-----|-----|-----|
| | | | | | 100 | 120 | 230 | 240 |
| 1 | 302NH46240 | CONN.CORD ASSY TRANSFER JOINT | | | 1 | | | |
| 2 | 302K946350 | WIRE CONTAINER MOTOR | | | 1 | | | |
| 3 | 302NH46080 | CONN.CORD ASSY MOTOR JUNCTION | | | 1 | | | |
| 4 | 302NH46A00 | CONN.CORD ASSY DRUM MOT2 | | | 1 | | | |
| 5 | 302NH46090 | CONN.CORD ASSY DRUM MOT | | | 1 | | | |
| 6 | 302NH46030 | CONN.CORD ASSY DLP MOT | | | 2 | | | |
| 7 | 302K946300 | WIRE ENCODER | | | 4 | | | |
| | | | | | | | | |
| | | | | | | | | |
| | | | | | | | | |
| | | | | | | | | |
| | | | | | | | | |
| | | | | | | | | |
| | | | | | | | | |
| | | | | | | | | |
| | | | | | | | | |
| | | | | | | | | |
| | | | | | | | | |
| | | | | | | | | |
| | | | | | | | | |
| | | | | | | | | |
| | | | | | | | | |
| | | | | | | | | |
| | | | | | | | | |
| | | | | | | | | |
| | | | | | | | | |
| | | | | | | | | |
| | | | | | | | | |
| | | | | | | | | |
| | | | | | | | | |
| | | | | | | | | |
| | | | | | | | | |
| | | | | | | | | |
| | | | | | | | | |
| | | | | | | | | |

• Wire Section indicates all the wires/FFCs containing them in other FIGs.

• Wire Section には全ての電線 /FFC（他 FIG の電線 /FFC 含む）を掲載しています。



Appendixes. 11 Wire section 11 LVU-HVU(JA)

2XP/2XN

| Ref No. | Part.No. | Description | Notes | Revision | Quantity | | | |
|---------|------------|----------------------------------|--------------------------------|----------|----------|-----|-----|-----|
| | | | | | 100 | 120 | 230 | 240 |
| 1 | 302NH46440 | CONN.CORD ASSY HVU T1 | | | 1 | | | |
| 2 | 302NH46100 | CONN.CORD ASSY LVU FEED | Relative Fig.No.:Appendixes.12 | | 1 | | | |
| 3 | 302NH46250 | CONN.CORD ASSY CASSETTE HEATER M | | | 1 | | | |
| 4 | 302NH46280 | CONN.CORD ASSY CURRENT PWB | | | 1 | | | |
| 5 | 302NH46380 | CONN.CORD ASSY MAIN SWITCH | | | 1 | | | |
| 6 | 302N246080 | WIRE INLET ASSY | | | 1 | | | |
| 7 | 302NH46290 | CONN.CORD ASSY CURRENT PWB POWER | | | 1 | | | |
| 8 | 302NH46320 | CONN.CORD ASSY INLET ASSY 1 | | | 1 | | | |

• Wire Section indicates all the wires/FFCs containing them in other FIGs.

• Wire Section には全ての電線 /FFC（他 FIG の電線 /FFC 含む）を掲載しています。

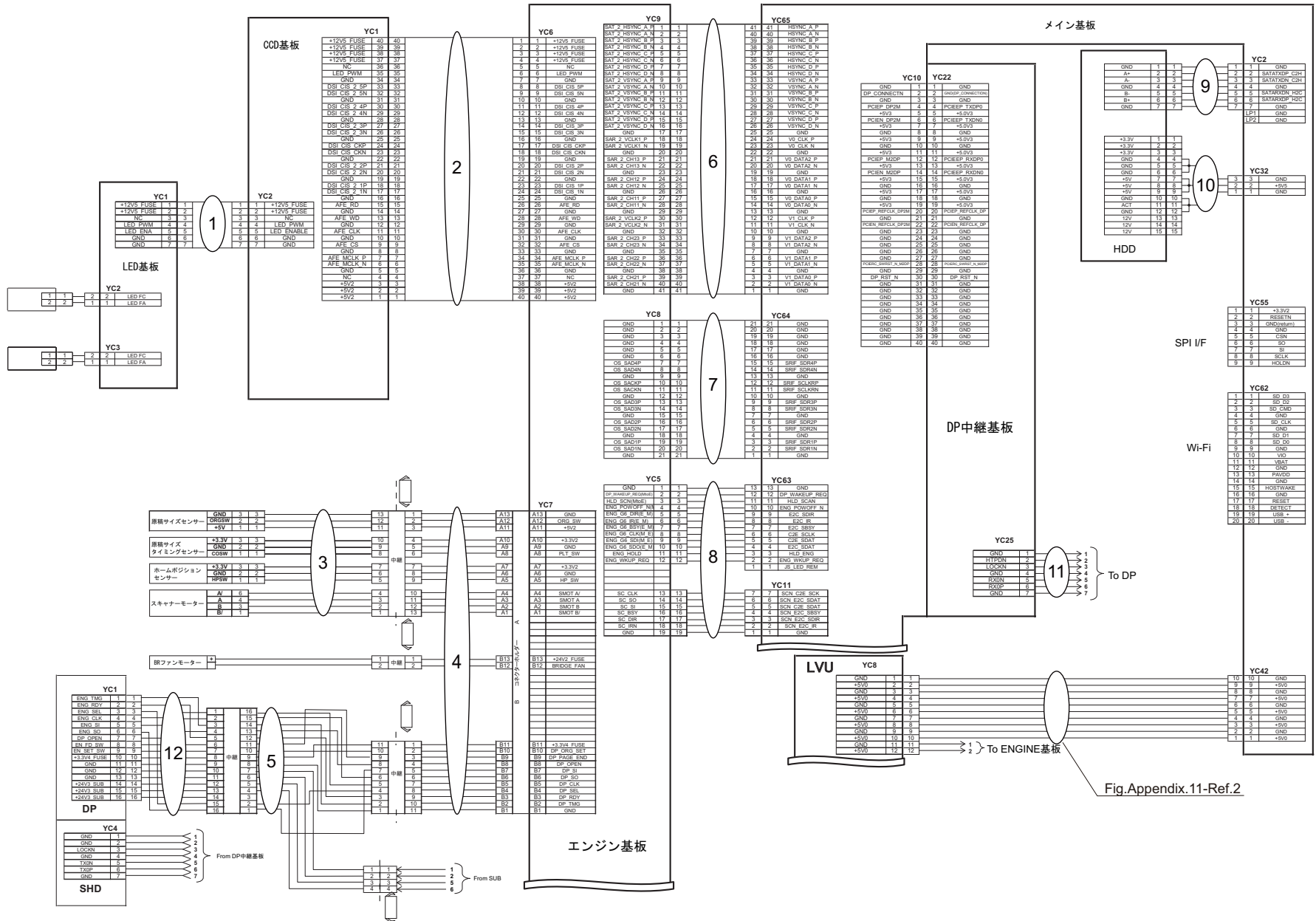


Fig.Appendix.11-Ref.2

Appendixes. 12 Wire section 12 CCD(JA)

2XP/2XN

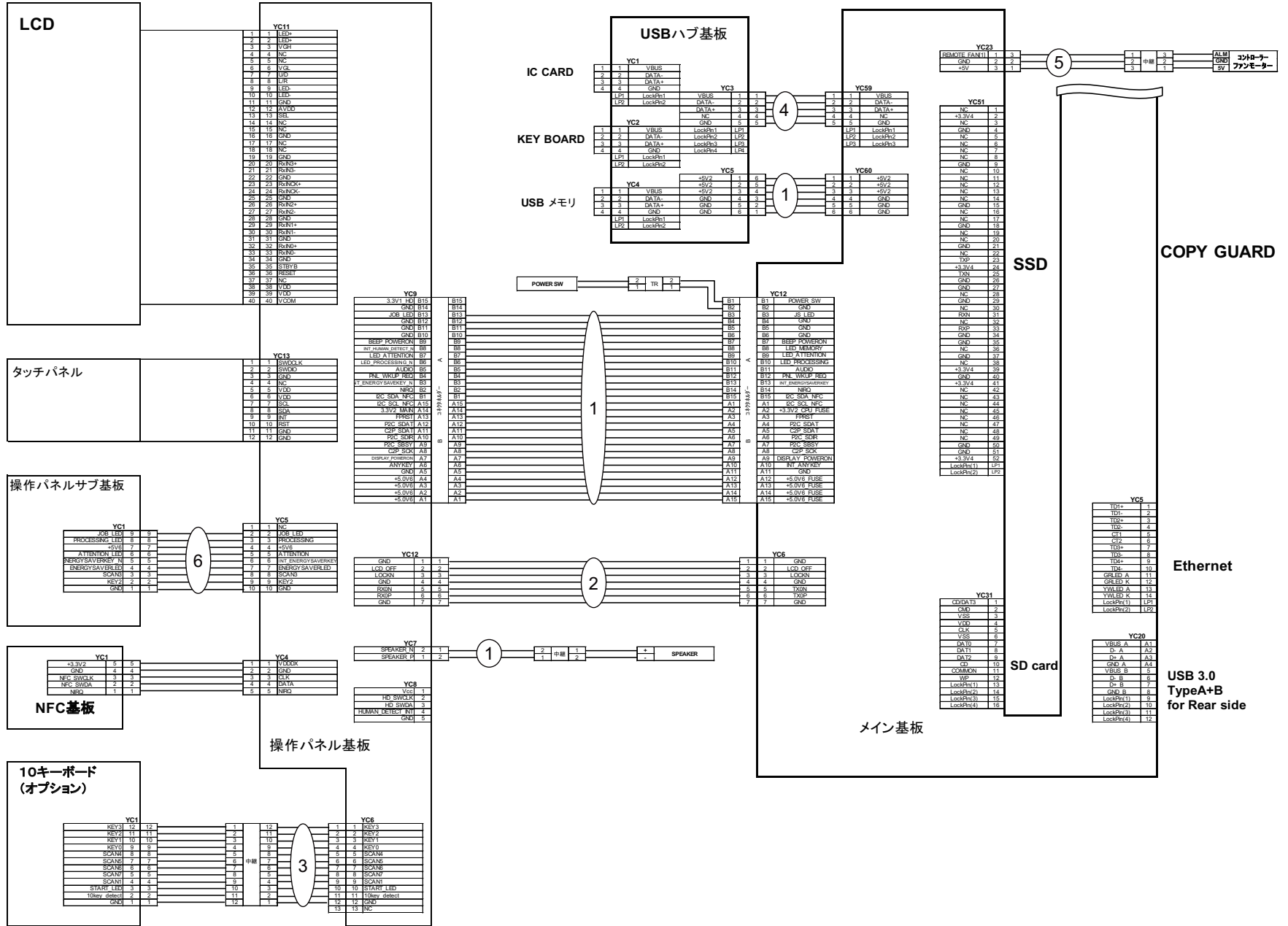
| Ref No. | Part.No. | Description | Notes | Revision | Quantity | | | |
|---------|------------|----------------------------------|--------------------------------|----------|----------|-----|-----|-----|
| | | | | | 100 | 120 | 230 | 240 |
| 1 | 302V646110 | CONN.CORD ASSY FFC LED | | | 1 | | | |
| 2 | 302NH94510 | PARTS FFC CCD SET SP | | | 1 | | | |
| 3 | 302NH46520 | CONN.CORD ASSY ISU | | | 1 | | | |
| 4 | 302NH46190 | CONN.CORD ASSY ISU SENSOR | | | 1 | | | |
| 5 | 302NH46530 | CONN.CORD ASSY DP | | | 1 | | | |
| 6 | 302XT46040 | CONN.CORD ASSY FFC MAIN-ENGINE | | | 1 | | | |
| 7 | 302NH46990 | CONN.CORD ASSY FFC MAIN-ENGINE 2 | | | 1 | | | |
| 8 | 302NH46500 | CONN.CORD ASSY ENGINE-MAIN | | | 1 | | | |
| 9 | 303R446080 | WIRE CIS DATA | | | 1 | | | |
| 10 | 302NH46580 | CONN.CORD ASSY HDD POWER | | | 1 | | | |
| 11 | 302NH46860 | CONN.CORD ASSY DPIF | | | 1 | | | |
| 12 | 303R846010 | WIRE INTERFACE | Relative Fig.No.:Appendixes.15 | | 1 | | | |

• Wire Section indicates all the wires/FFCs containing them in other FIGs.

• Wire Section には全ての電線 /FFC (他 FIG の電線 /FFC 含む) を掲載しています。

Appendixes. 13 Wire section 13 Panel-Main(JA)

2XP/2XN



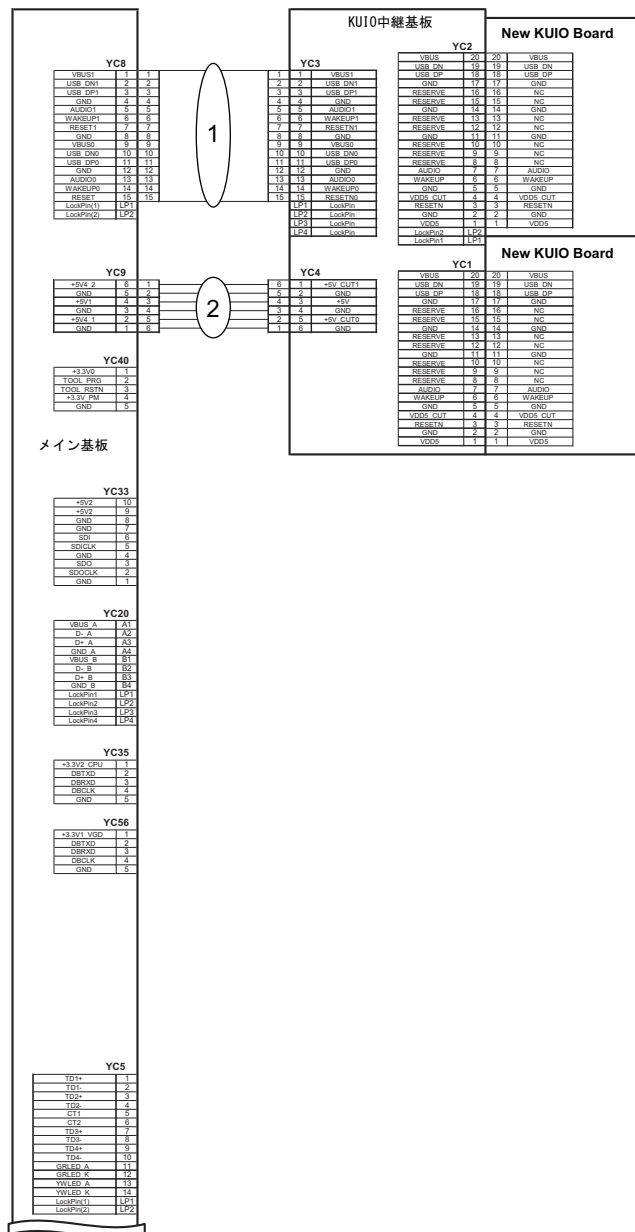
Appendix. 13 Wire section 13 Panel-Main(JA)

2XP/2XN

| Ref No. | Part.No. | Description | Notes | Revision | Quantity | | | |
|---------|------------|-------------------------------|-------|----------|----------|-----|-----|-----|
| | | | | | 100 | 120 | 230 | 240 |
| 1 | 302XT46010 | CONN.CORD ASSY MAIN-OPERATION | | | 1 | | | |
| 2 | 302XT46020 | CONN.CORD ASSY PANEL DATA | | | 1 | | | |
| 3 | 302V846080 | CONN.CORD ASSY 10KEY JOINT | | | 1 | | | |
| 4 | 302NH46590 | CONN.CORD ASSY USB HUB | | | 1 | | | |
| 5 | 302NH46620 | CONN.CORD ASSY CONT FAN | | | 1 | | | |
| 6 | 302V846070 | CONN.CORD ASSY OPERATION | | | 1 | | | |
| | | | | | | | | |
| | | | | | | | | |
| | | | | | | | | |
| | | | | | | | | |
| | | | | | | | | |
| | | | | | | | | |
| | | | | | | | | |
| | | | | | | | | |
| | | | | | | | | |
| | | | | | | | | |
| | | | | | | | | |
| | | | | | | | | |
| | | | | | | | | |
| | | | | | | | | |
| | | | | | | | | |
| | | | | | | | | |
| | | | | | | | | |
| | | | | | | | | |
| | | | | | | | | |
| | | | | | | | | |

• Wire Section indicates all the wires/FFCs containing them in other FIGs.

• Wire Section には全ての電線/FFC（他 FIG の電線/FFC 含む）を掲載しています。



Appendix. 14 Wire section 14 Main(JA)

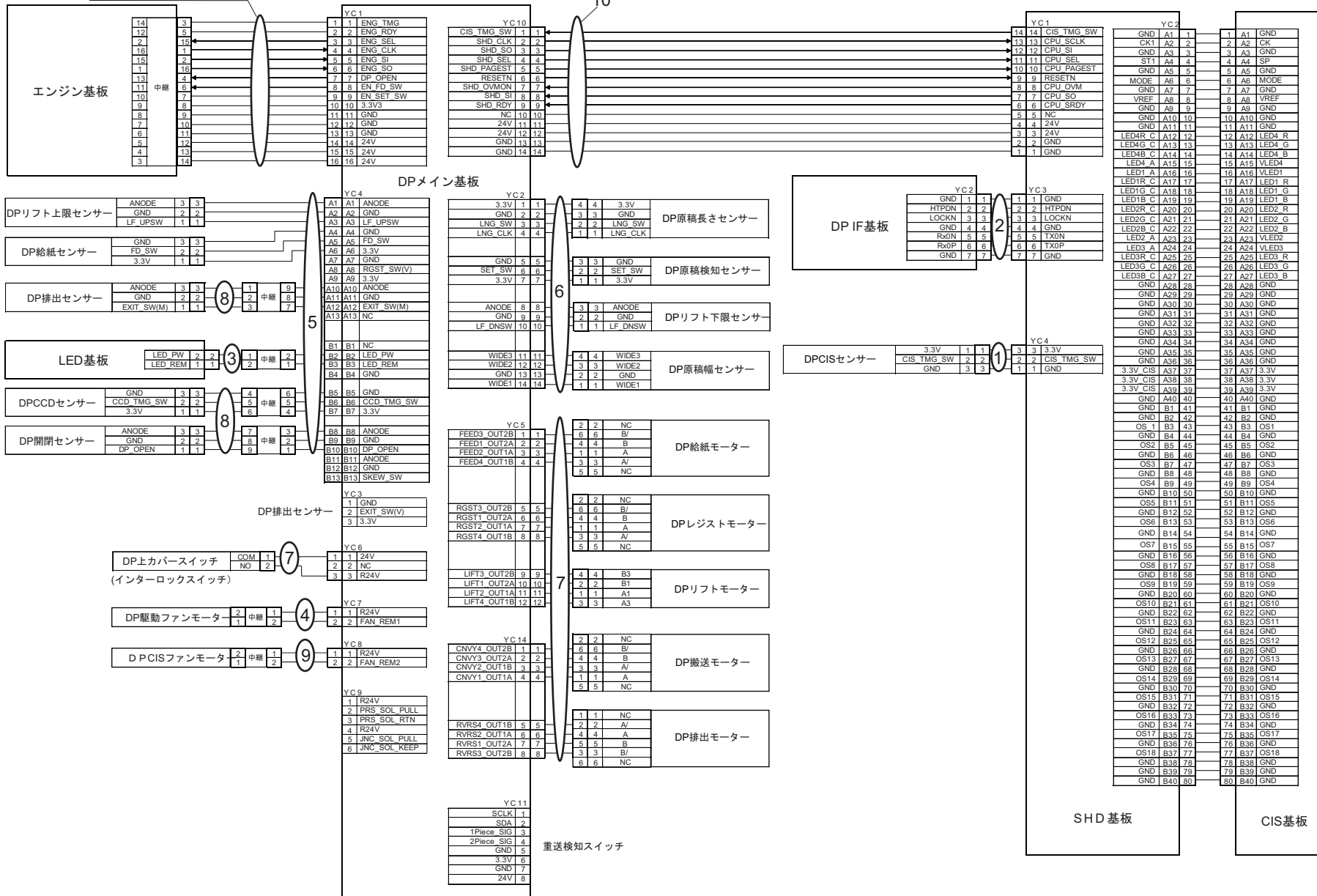
2XP/2XN

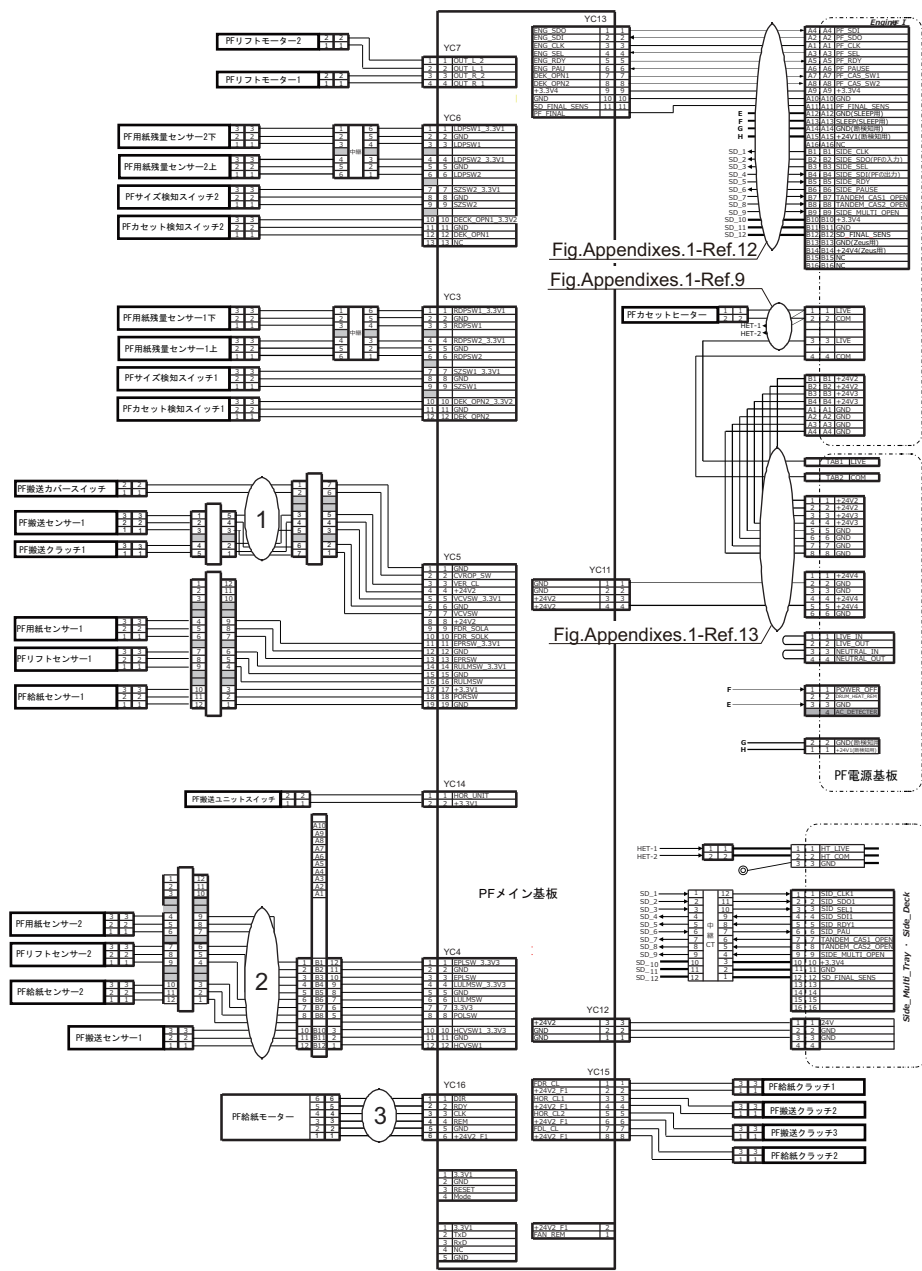
| Ref No. | Part.No. | Description | Notes | Revision | Quantity | | | |
|---------|------------|---------------------------|-------|----------|----------|-----|-----|-----|
| | | | | | 100 | 120 | 230 | 240 |
| 1 | 302NH46630 | CONN.CORD ASSY FFC KUIO | | | 1 | | | |
| 2 | 302NH46640 | CONN.CORD ASSY KUIO POWER | | | 1 | | | |
| | | | | | | | | |
| | | | | | | | | |
| | | | | | | | | |
| | | | | | | | | |
| | | | | | | | | |
| | | | | | | | | |
| | | | | | | | | |
| | | | | | | | | |
| | | | | | | | | |
| | | | | | | | | |
| | | | | | | | | |
| | | | | | | | | |
| | | | | | | | | |
| | | | | | | | | |
| | | | | | | | | |
| | | | | | | | | |
| | | | | | | | | |
| | | | | | | | | |
| | | | | | | | | |
| | | | | | | | | |
| | | | | | | | | |
| | | | | | | | | |
| | | | | | | | | |
| | | | | | | | | |
| | | | | | | | | |
| | | | | | | | | |
| | | | | | | | | |

• Wire Section indicates all the wires/FFCs containing them in other FIGs.

• Wire Section には全ての電線 /FFC (他 FIG の電線 /FFC 含む) を掲載しています。

Fig.Appendixes.12-Ref.12





Appendixes. 16 Wire section 16 PF-Deck(JA)

2XP/2XN

| Ref No. | Part.No. | Description | Notes | Revision | Quantity | | | |
|---------|------------|------------------|-------|----------|----------|-----|-----|-----|
| | | | | | 100 | 120 | 230 | 240 |
| 1 | 303NF46130 | WIRE VERTICAL 1 | | | 1 | | | |
| 2 | 303NF46220 | WIRE LEFT DECK 2 | | | 1 | | | |
| 3 | 303NF46170 | WIRE MAIN MOTOR | | | 1 | | | |
| | | | | | | | | |
| | | | | | | | | |
| | | | | | | | | |
| | | | | | | | | |
| | | | | | | | | |
| | | | | | | | | |
| | | | | | | | | |
| | | | | | | | | |
| | | | | | | | | |
| | | | | | | | | |
| | | | | | | | | |
| | | | | | | | | |
| | | | | | | | | |
| | | | | | | | | |
| | | | | | | | | |
| | | | | | | | | |
| | | | | | | | | |
| | | | | | | | | |

• Wire Section indicates all the wires/FFCs containing them in other FIGs.

• Wire Section には全ての電線 /FFC（他 FIG の電線 /FFC 含む）を掲載しています。

BF-730

[CONFIDENTIAL]

FOR AUTHORIZED KYOCERA ENGINEERS ONLY. DO NOT DISTRIBUTE TO NON-AUTHORIZED PARTIES.

Items listed in the revision columns are defined as follows.

| Item | Description |
|---------------|---|
| Add | Add a new part |
| Del | Delete a part |
| Design-chg. | A design changed part (Parts number version up) |
| Part No.-chg. | A part number is changed to other one. |
| Quantity-chg. | Change Quantity of parts to use |
| Others | Other changes |
| Correction | Correction |

Revision history

| Rev. | Date | Remarks |
|------|----------------|----------------------------|
| 9 | August 2018 | Design change |
| A | October 2018 | Design change & Correction |
| B | February 2019 | Correction |
| C | September 2019 | Design change |
| D | December 2019 | Design change |
| | | |
| | | |

Symbols in the parts list

- Parts without a Ref.No. in the illustration indicate they are not supplied.
- Parts with "•" are component parts or sub-assemblies of the assembly appearing immediately above them.
- Parts with "••" are component parts or sub-assembly with "•" appearing immediately above them.

[CONFIDENTIAL]

京セラドキュメントソリューションズ株式会社の許可なく、本資料を配布することを禁じます。

Revision 欄記載項目の内容は以下の通りです。

| 記載項目 | 内容 |
|---------------|--------------|
| Add | 新規部品の追加 |
| Del | 部品の削除 |
| Design-chg. | 部品の設変(版数アップ) |
| Part No.-chg. | 部品番号の変更 |
| Quantity-chg. | 部品の個数変更 |
| Others | その他の変更 |
| Correction | 誤記訂正 |

改版履歴

| Rev. | 改訂日 | 備考 |
|------|----------|-------------|
| 9 | 2018年8月 | 設変対応 |
| A | 2018年10月 | 設変対応および誤記訂正 |
| B | 2019年2月 | 誤記訂正 |
| C | 2019年9月 | 設変対応 |
| D | 2019年12月 | 設変対応 |
| | | |
| | | |

記号の見方

- イラスト中で Ref 番号がない部品は供給できません。
- 部品番号欄の・印は、組立部品の単品部品及び準組立部品を表わします。
- 部品番号欄の•印は、準組立部品の単品部品を表わします。

— CONTENTS —

| | | |
|--------|------------------------|----|
| FIG. 1 | Booklet Folder 1 | 2 |
| FIG. 2 | Booklet Folder 2 | 5 |
| FIG. 3 | Booklet Folder 3 | 8 |
| FIG. 4 | Booklet Folder 4 | 11 |
| FIG. 5 | Accessories | 13 |

FIG. 1 Booklet Folder 1

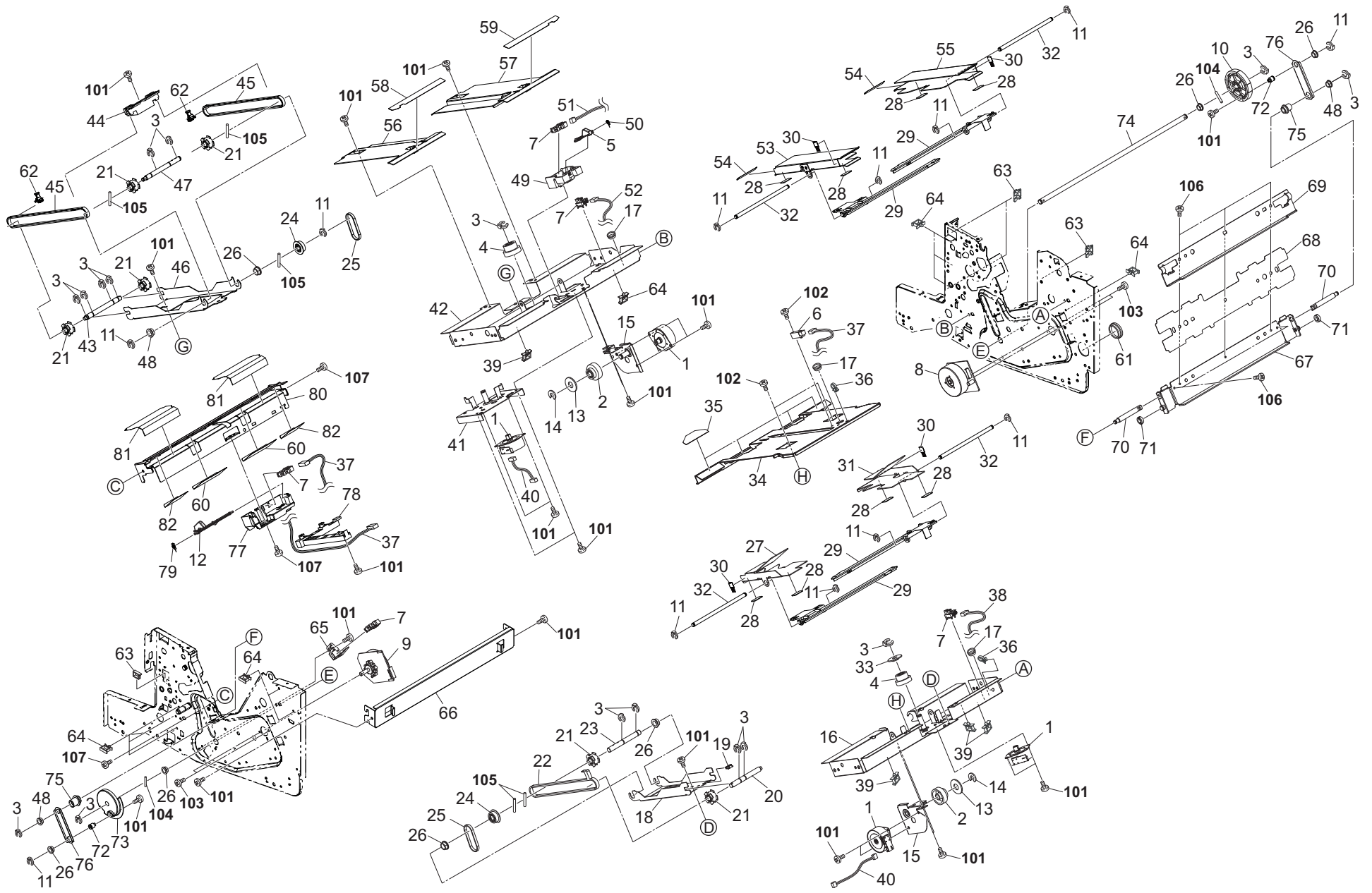


FIG. 1 Booklet Folder 1

3ND

| Ref No. | Part.No. | Description | Notes | Revision | Quantity | | | |
|---------|-----------------|----------------------------|-------|----------|----------|-----|-----|-----|
| | | | | | 100 | 120 | 230 | 240 |
| 1 | 302HN44100 | MOTOR REVERSE | | | 4 | 4 | 4 | 4 |
| 2 | 303ND24070 | GEAR Z54-P30 | | | 2 | 2 | 2 | 2 |
| 3 | 2BC06910 | STOPPER 6 | | | 16 | 16 | 16 | 16 |
| 4 | 303ND24060 | GEAR Z56R-Z26S | | | 2 | 2 | 2 | 2 |
| 5 | 303ND24140 | ACTUATOR HOLDER SENSOR | | | 1 | 1 | 1 | 1 |
| 6 | 303NW94060 | PARTS SENSOR OPT. SP | | | 1 | 1 | 1 | 1 |
| 7 | 303M894260 | PARTS SENSOR OPT SP | | | 5 | 5 | 5 | 5 |
| 8 | 303NB94053 | PARTS MOTOR-BL BRAKE SP | | | 1 | 1 | 1 | 1 |
| 9 | 302LC94284 | PARTS MOTOR-BL W40 SP | | | 1 | 1 | 1 | 1 |
| 10 | 303J124170 | GEAR 55 BLADE PRESSURE | | | 1 | 1 | 1 | 1 |
| 11 | 5MVX111DN003 | RING STOPPER /A-49 FEED A4 | | | 12 | 12 | 12 | 12 |
| 12 | 303ND24160 | ACTUATOR PAPER | | | 1 | 1 | 1 | 1 |
| 13 | 303JY38240 | SPACER 25 | | | 2 | 2 | 2 | 2 |
| 14 | 302K921420 | CUT-WASHER 6 | | | 2 | 2 | 2 | 2 |
| 15 | 303ND24030 | MOUNT MOTOR | | | 2 | 2 | 2 | 2 |
| 16 | 303ND24010 | STAY SIDE REGIST UP | | | 1 | 1 | 1 | 1 |
| 17 | 7YZM110001++H01 | ACCESS.BUSHING | | | 3 | 3 | 3 | 3 |
| 18 | 303J124481 | MOUNT BELT R | | | 1 | 1 | 1 | 1 |
| 19 | M2104390 | EDGING,EDS-0607L(KITAGAWA) | | | 1 | 1 | 1 | 1 |
| 20 | 303J124080 | SHAFT CONVEYING IDLE R | | | 1 | 1 | 1 | 1 |
| 21 | 3AK07230 | PULLEY 20S3M | | | 6 | 6 | 6 | 6 |
| 22 | 303J124110 | BELT CONVEYING REGIST | | | 1 | 1 | 1 | 1 |
| 23 | 303J124070 | SHAFT CONVEYING DRIVE R | | | 1 | 1 | 1 | 1 |
| 24 | 3AP02040 | PULLEY 30,DUPLEX | | | 2 | 2 | 2 | 2 |
| 25 | 302H017260 | BELT SCANNER | | | 2 | 2 | 2 | 2 |
| 26 | 28107310 | BUSH 8 | | | 7 | 7 | 7 | 7 |
| 27 | 303J124020 | CURSOR FRONT | | | 1 | 1 | 1 | 1 |
| 28 | 3B807640 | PAD,CURSOR | | | 8 | 8 | 8 | 8 |
| 29 | 303J124370 | RACK CURSOR | | | 4 | 4 | 4 | 4 |
| 30 | 303JY37220 | STATIC ELIMINATOR CURSOR | | | 4 | 4 | 4 | 4 |
| 31 | 303J124030 | CURSOR REAR | | | 1 | 1 | 1 | 1 |
| 32 | 303J124050 | SHAFT LOWER CURSOR | | | 4 | 4 | 4 | 4 |
| 33 | 303ND24080 | SPACER CURSOR | | | 1 | 1 | 1 | 1 |
| 34 | 303J124041 | GUIDE REGIST | | | 1 | 1 | 1 | 1 |
| 35 | 303J124562 | SHEET GUIDE REGIST | | | 4 | 4 | 4 | 4 |
| 36 | 7YZM410004++H01 | ACCESS.BAND | | | 2 | 2 | 2 | 2 |
| 37 | 303ND46210 | WIRE PAPER SENSOR | | | 2 | 2 | 2 | 2 |
| 38 | 303ND46220 | WIRE UPPER WIDTH SENSOR | | | 1 | 1 | 1 | 1 |
| 39 | 7YZM610001++H01 | ACCESS SADDLE | | | 4 | 4 | 4 | 4 |
| 40 | 303ND46090 | WIRE WIDTH MOTOR | | | 2 | 2 | 2 | 2 |
| 41 | 303ND24040 | PLATE ADJUST | | | 1 | 1 | 1 | 1 |
| 42 | 303ND24020 | STAY SIDE REGIST LOW | | | 1 | 1 | 1 | 1 |
| 43 | 303J124440 | SHAFT CONVEYING IDLE | | | 1 | 1 | 1 | 1 |
| 44 | 303J124460 | HOLDER CONVEYING LIFT | | | 1 | 1 | 1 | 1 |
| 45 | 303ND24320 | BELT CONVEYING POSITIONING | | | 2 | 2 | 2 | 2 |
| 46 | 303J124490 | MOUNT BELT L | | | 1 | 1 | 1 | 1 |
| 47 | 303ND24230 | SHAFT CONVEYING DRIVE L | | | 1 | 1 | 1 | 1 |
| 48 | 302K324450 | BUSH 6 | | | 3 | 3 | 3 | 3 |
| 49 | 303ND24130 | MOUNT HOLDER SENSOR | | | 1 | 1 | 1 | 1 |
| 50 | 302K928190 | SPRING-TORSION SWITCHBACK | | | 1 | 1 | 1 | 1 |

FIG. 1 Booklet Folder 1

3ND

| Ref No. | Part.No. | Description | Notes | Revision | Quantity | | | |
|---------|-----------------|---------------------------|-------|----------|----------|-----|-----|-----|
| | | | | | 100 | 120 | 230 | 240 |
| 51 | 303ND46170 | WIRE BUNDUP SENSOR | | | 1 | 1 | 1 | 1 |
| 52 | 303ND46180 | WIRE UNDER WIDTH SENSOR | | | 1 | 1 | 1 | 1 |
| 53 | 303J124341 | CURSOR FW FRONT | | | 1 | 1 | 1 | 1 |
| 54 | 303J124660 | SHEET CURSOR FW | | | 2 | 2 | 2 | 2 |
| 55 | 303J124351 | CURSOR FW REAR | | | 1 | 1 | 1 | 1 |
| 56 | 303J124231 | GUIDE CONVEYING LOWER F | | | 1 | 1 | 1 | 1 |
| 57 | 303J124241 | GUIDE CONVEYING LOWER R | | | 1 | 1 | 1 | 1 |
| 58 | 303ND24270 | FILM BLADE F | | | 1 | 1 | 1 | 1 |
| 59 | 303ND24280 | FILM BLADE R | | | 1 | 1 | 1 | 1 |
| 60 | 303ND24300 | SHEET STAY SADDLE UP M | | | 2 | 2 | 2 | 2 |
| 61 | 7YZM110003++H01 | ACCESS.BUSHING | | | 1 | 1 | 1 | 1 |
| 62 | 303ND24330 | JOINT CONVEYING BELT | | | 2 | 2 | 2 | 2 |
| 63 | 7YZM210006++H01 | ACCESS.EDGING | | | 4 | 4 | 4 | 4 |
| 64 | 7YZM610007++H01 | ACCESS.SADDLE | | | 10 | 10 | 10 | 10 |
| 65 | 303J131340 | MOUNT BLADE PI | | | 1 | 1 | 1 | 1 |
| 66 | 303ND02320 | STAY RIGHT | | | 1 | 1 | 1 | 1 |
| 67 | 303J124151 | PLATE BLADE SUPPORT | | | 1 | 1 | 1 | 1 |
| 68 | 303J124142 | BLADE MID PRESSING | | | 1 | 1 | 1 | 1 |
| 69 | 303J124160 | HOLDER BLADE | | | 1 | 1 | 1 | 1 |
| 70 | 303J124450 | SHAFT BLADE | | | 2 | 2 | 2 | 2 |
| 71 | 303J124210 | BUSHING BLADE | | | 2 | 2 | 2 | 2 |
| 72 | 303ND31340 | PIN BLADE DRIVE | | | 2 | 2 | 2 | 2 |
| 73 | 303ND31280 | CAM BLADE | | | 1 | 1 | 1 | 1 |
| 74 | 303J131040 | SHAFT BLADE DRIVE L | | | 1 | 1 | 1 | 1 |
| 75 | 303J124670 | SPACER BLADE | | | 2 | 2 | 2 | 2 |
| 76 | 303ND31040 | ARM BLADE PRESS | | | 2 | 2 | 2 | 2 |
| 77 | 303ND24150 | MOUNT PAPER SENSOR | | | 1 | 1 | 1 | 1 |
| 78 | 303LV24010 | COVER WIRE | | | 1 | 1 | 1 | 1 |
| 79 | 303ND24310 | SPRING ACT | | | 1 | 1 | 1 | 1 |
| 80 | 303J124221 | STAY SADDLE | | | 1 | 1 | 1 | 1 |
| 81 | 303J124550 | SHEET STAY SADDLE LOW | | | 2 | 2 | 2 | 2 |
| 82 | 303ND24290 | SHEET STAY SADDLE UP | | | 2 | 2 | 2 | 2 |
| 101 | 7BB700308H | +BIND T.T S SCREW 3X8 SR | | | | | | |
| 102 | 7BB700316H | +BIND T.T S SCREW 3X16 SR | | | | | | |
| 103 | 7BB000304H | +BIND M SCREW 3X4 | | | | | | |
| 104 | 7BP512516B0CH01 | PARALLEL PIN 2.5X16 | | | | | | |
| 105 | 7BP512512B0CH01 | PARALLEL PIN 2.5X12 | | | | | | |
| 106 | 7BB000406H | +BIND M SCREW 4X6 | | | | | | |
| 107 | 7BB700408H | +BIND T.T S SCREW 4X8 SR | | | | | | |

FIG. 2 Booklet Folder 2

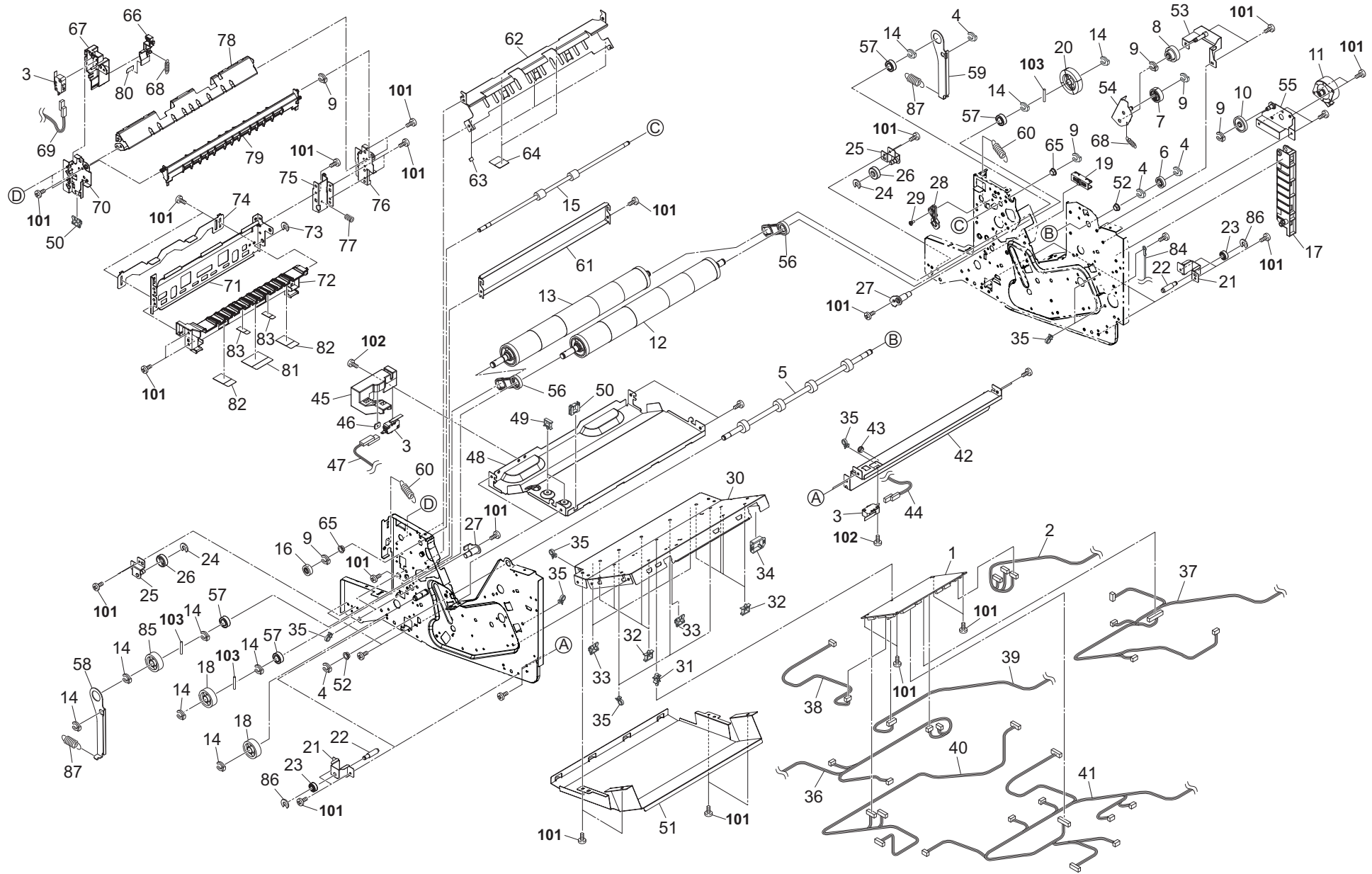


FIG. 2 Booklet Folder 2

3ND

| Ref No. | Part.No. | Description | Notes | Revision | Quantity | | | |
|---------|-----------------|-------------------------------|-------|----------|----------|-----|-----|-----|
| | | | | | 100 | 120 | 230 | 240 |
| 1 | 303ND94011 | PARTS PWB MAIN ASSY SP | | | 1 | 1 | 1 | 1 |
| 2 | 303ND46010 | WIRE INTERFACE | | | 1 | 1 | 1 | 1 |
| 3 | 2FB27160 | INTER LOCK SWITCH | | | 3 | 3 | 3 | 3 |
| 4 | 2BC06910 | STOPPER 6 | | | 4 | 4 | 4 | 4 |
| 5 | 303ND94020 | PARTS ROLLER FEED IN SP | | | 1 | 1 | 1 | 1 |
| 6 | 303NB31010 | GEAR Z35R | | | 1 | 1 | 1 | 1 |
| 7 | 302K931490 | GEAR Z28L | | | 1 | 1 | 1 | 1 |
| 8 | 303ND31510 | GEAR Z30R Z30R | | | 1 | 1 | 1 | 1 |
| 9 | 5MVX111DN003 | RING STOPPER /A-49 FEED A4 | | | 6 | 6 | 6 | 6 |
| 10 | 303ND31520 | GEAR Z52L | | | 1 | 1 | 1 | 1 |
| 11 | 302HN44100 | MOTOR REVERSE | | | 1 | 1 | 1 | 1 |
| 12 | 303ND94051 | PARTS ROLLER PRESS A SP | | | 1 | 1 | 1 | 1 |
| 13 | 303ND94061 | PARTS ROLLER PRESS B SP | | | 1 | 1 | 1 | 1 |
| 14 | 302K921120 | STOPPER 8 | | | 9 | 9 | 9 | 9 |
| 15 | 303ND94040 | PARTS ROLLER EJECT 3 FOLD SP | | | 1 | 1 | 1 | 1 |
| 16 | 302K031740 | GEAR BELT CLEANING DRIVE Z20L | | | 1 | 1 | 1 | 1 |
| 17 | 303ND02291 | GUIDE WIRE | | | 1 | 1 | 1 | 1 |
| 18 | 303ND31200 | GEAR Z30 PRESS | | | 2 | 2 | 2 | 2 |
| 19 | 302LF39050 | GUIDE WIRE FRONT PWB | | | 1 | 1 | 1 | 1 |
| 20 | 303ND31210 | GEAR Z16 PRESS | | | 1 | 1 | 1 | 1 |
| 21 | 303ND02060 | MOUNT SHAFT RAIL | | | 4 | 4 | 4 | 4 |
| 22 | 303ND02070 | SHAFT RAIL | | | 4 | 4 | 4 | 4 |
| 23 | 302FG07020 | PULLEY,CASSETTE RAIL | | | 4 | 4 | 4 | 4 |
| 24 | 302FB09830 | CUT WASHER 4 | | | 2 | 2 | 2 | 2 |
| 25 | 303ND02200 | MOUNT PULLEY RAIL | | | 2 | 2 | 2 | 2 |
| 26 | 34907150 | PULLEY,CASSETTE | | | 2 | 2 | 2 | 2 |
| 27 | 303ND02281 | FULCRUM PLATE RELEASE | | | 2 | 2 | 2 | 2 |
| 28 | 303ND28220 | LEVER SOL GUIDE EXIT | | | 1 | 1 | 1 | 1 |
| 29 | 2FB20860 | PIN FUSER COVER | | | 1 | 1 | 1 | 1 |
| 30 | 303ND02170 | STAY BLADE LOWER | | | 1 | 1 | 1 | 1 |
| 31 | 7YZM510007++H01 | ACCESS.SPACER | | | 1 | 1 | 1 | 1 |
| 32 | 7YZM610004++H01 | ACCESS SADDLE | | | 8 | 8 | 8 | 8 |
| 33 | 7YZM210005++H01 | ACCESS.EDGING | | | 3 | 3 | 3 | 3 |
| 34 | 7YZM210011++H01 | ACCESS.EDGING | | | 1 | 1 | 1 | 1 |
| 35 | 7YZM410004++H01 | ACCESS.BAND | | | 10 | 10 | 10 | 10 |
| 36 | 303ND46020 | WIRE INTERLOCK SWITCH | | | 1 | 1 | 1 | 1 |
| 37 | 303ND46060 | WIRE MOTOR ST ALL | | | 1 | 1 | 1 | 1 |
| 38 | 303ND46100 | WIRE SOLENOID1 | | | 1 | 1 | 1 | 1 |
| 39 | 303ND46110 | WIRE STP MOTOR | | | 1 | 1 | 1 | 1 |
| 40 | 303ND46120 | WIRE MOTOR | | | 1 | 1 | 1 | 1 |
| 41 | 303ND46161 | WIRE SENSOR ALL | | | 1 | 1 | 1 | 1 |
| 42 | 303ND02160 | STAY RIGHT LOW | | | 1 | 1 | 1 | 1 |
| 43 | 7YZM110001++H01 | ACCESS.BUSHING | | | 1 | 1 | 1 | 1 |
| 44 | 303ND46040 | WIRE UNITSET SWITCH | | | 1 | 1 | 1 | 1 |
| 45 | 303ND02180 | MOUNT INTERLOCK TRAY | | | 1 | 1 | 1 | 1 |
| 46 | 302K926050 | NUT FUSER | | | 1 | 1 | 1 | 1 |
| 47 | 303ND46050 | WIRE TRY SWITCH | | | 1 | 1 | 1 | 1 |
| 48 | 303ND02030 | BASE LEFT | | | 1 | 1 | 1 | 1 |
| 49 | 7YZM610007++H01 | ACCESS.SADDLE | | | 2 | 2 | 2 | 2 |
| 50 | 7YZM210006++H01 | ACCESS.EDGING | | | 2 | 2 | 2 | 2 |

FIG. 2 Booklet Folder 2

3ND

| Ref No. | Part.No. | Description | Notes | Revision | Quantity | | | |
|---------|-----------------|---------------------------|-------|----------|----------|-----|-----|-----|
| | | | | | 100 | 120 | 230 | 240 |
| 51 | 303ND02350 | PLATE COVER PWB | | | 1 | 1 | 1 | 1 |
| 52 | 28107310 | BUSH 8 | | | 2 | 2 | 2 | 2 |
| 53 | 303ND31540 | PLATE JOINT FULCRUM | | | 1 | 1 | 1 | 1 |
| 54 | 303ND31500 | PLATE JOINT DRIVE | | | 1 | 1 | 1 | 1 |
| 55 | 303ND31530 | MOUNT MOTOR LOW | | | 1 | 1 | 1 | 1 |
| 56 | 303ND31100 | SPACER ROLLER | | | 2 | 2 | 2 | 2 |
| 57 | 7BE010197431H01 | BEARING 6800ZZ(7MM) | | | 4 | 4 | 4 | 4 |
| 58 | 303ND31060 | LEVER PRESSURE B FRONT | | | 1 | 1 | 1 | 1 |
| 59 | 303ND31070 | LEVER PRESSURE B REAR | | | 1 | 1 | 1 | 1 |
| 60 | 303LV28051 | SPRING PRESSURE | | | 2 | 2 | 2 | 2 |
| 61 | 303ND02050 | STAY LEFT | | | 1 | 1 | 1 | 1 |
| 62 | 303ND28061 | GUIDE CONVEYING EXIT | | | 1 | 1 | 1 | 1 |
| 63 | 303ND28310 | CUSHION GUIDE | | | 3 | 3 | 3 | 3 |
| 64 | 303ND28340 | FILM EXIT GUIDE | | | 2 | 2 | 2 | 2 |
| 65 | 302K324450 | BUSH 6 | | | 2 | 2 | 2 | 2 |
| 66 | 303ND28150 | LEVER LEFT | | | 1 | 1 | 1 | 1 |
| 67 | 303ND28180 | MOUNT INTERLOCK LEFT | | | 1 | 1 | 1 | 1 |
| 68 | 303J102210 | SPRING RELEASE | | | 2 | 2 | 2 | 2 |
| 69 | 303ND46030 | WIRE GIDE L SWITCH | | | 1 | 1 | 1 | 1 |
| 70 | 303ND28130 | FRAME LEFT FRONT | | | 1 | 1 | 1 | 1 |
| 71 | 303ND28010 | GUIDE STOP UP | | | 1 | 1 | 1 | 1 |
| 72 | 303ND28021 | GUIDE STOP LOW | | | 1 | 1 | 1 | 1 |
| 73 | 2BL16290 | CUT WASHER 3 | | | 1 | 1 | 1 | 1 |
| 74 | 303ND28030 | GUIDE STOP | | | 1 | 1 | 1 | 1 |
| 75 | 303ND28200 | HINGE LEFT | | | 1 | 1 | 1 | 1 |
| 76 | 303ND28140 | FRAME LEFT REAR | | | 1 | 1 | 1 | 1 |
| 77 | 303ND28290 | SPRING LEFT | | | 1 | 1 | 1 | 1 |
| 78 | 303ND28050 | GUIDE EXIT | | | 1 | 1 | 1 | 1 |
| 79 | 303ND28040 | GUIDE EXIT SHIFT | | | 1 | 1 | 1 | 1 |
| 80 | 303ND34050 | LABEL UP | | | 1 | 1 | 1 | 1 |
| 81 | 303ND28360 | FILM STOP LOW A | | | 1 | 1 | 1 | 1 |
| 82 | 303ND28370 | FILM STOP LOW B | | | 2 | 2 | 2 | 2 |
| 83 | 303ND28380 | FILM STOP LOW C | | | 2 | 2 | 2 | 2 |
| 84 | 303ND46250 | WIRE EARTH | | | 1 | 1 | 1 | 1 |
| 85 | 303ND31350 | GEAR Z30 PRESS B | | | 1 | 1 | 1 | 1 |
| 86 | 7BC46042A050H01 | CUT WASHER 4.2X10.0X0.5T | | | 4 | 4 | 4 | 4 |
| 87 | 303SP31140 | SPRING PRESSURE | | | 2 | 2 | 2 | 2 |
| 101 | 7BB700308H | +BIND T.T S SCREW 3X8 SR | | | | | | |
| 102 | 7BB700316H | +BIND T.T S SCREW 3X16 SR | | | | | | |
| 103 | 7BP513022B0CH01 | PARALLEL PIN 3X22 | | | | | | |

FIG. 3 Booklet Folder 3

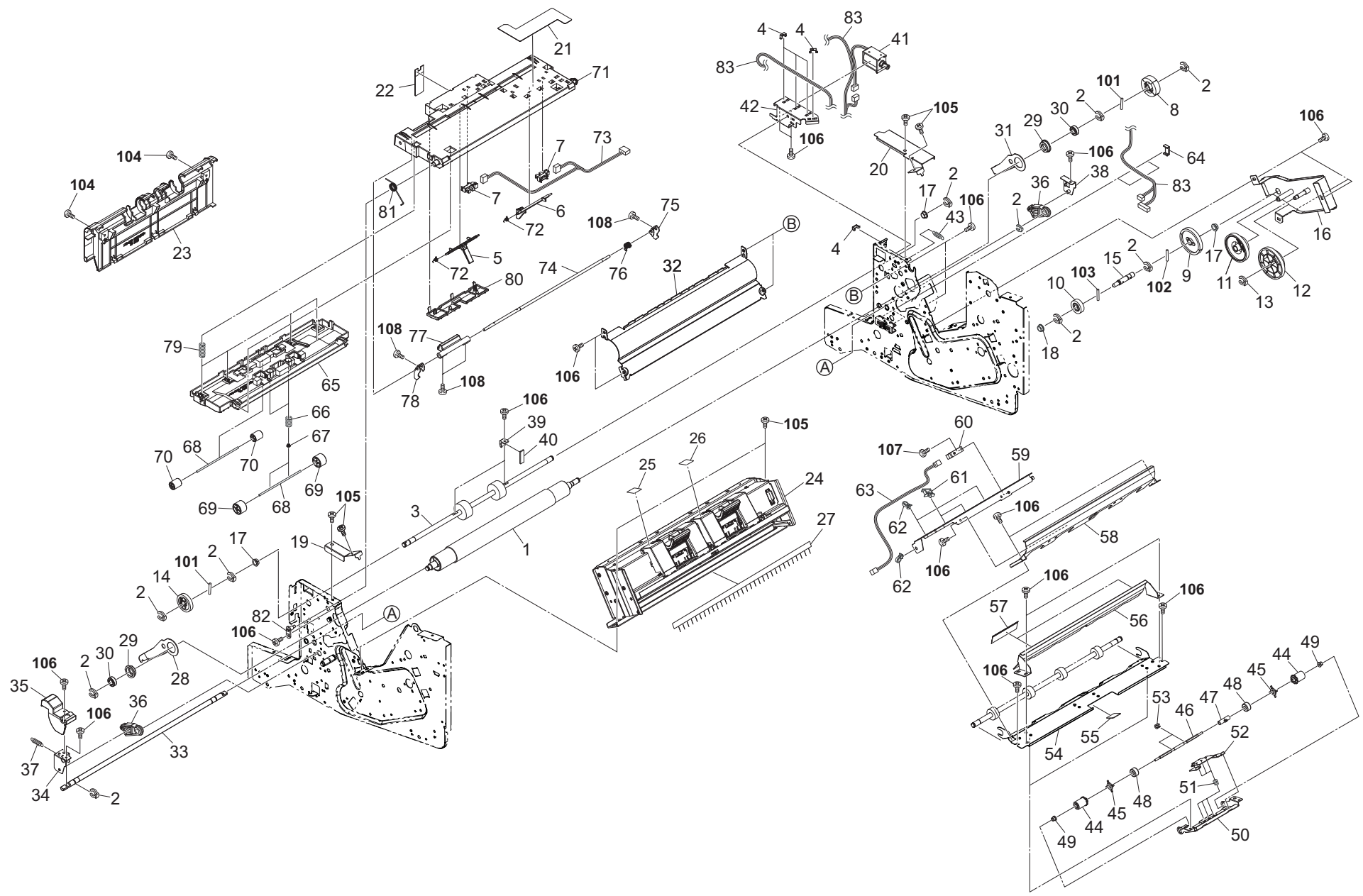


FIG. 3 Booklet Folder 3

3ND

| Ref No. | Part.No. | Description | Notes | Revision | Quantity | | | |
|---------|-----------------|---------------------------------------|-------|----------|----------|-----|-----|-----|
| | | | | | 100 | 120 | 230 | 240 |
| 1 | 303ND94070 | PARTS ROLLER PRESS C SP | | | 1 | 1 | 1 | 1 |
| 2 | 2BC06910 | STOPPER 6 | | | 10 | 10 | 10 | 10 |
| 3 | 303ND94030 | PARTS ROLLER EJECT SP | | | 1 | 1 | 1 | 1 |
| 4 | 302K931080 | WIRE STOPPER | | | 5 | 5 | 5 | 5 |
| 5 | 303ND28252 | ACTUATOR STACK LIMIT | | | 1 | 1 | 1 | 1 |
| 6 | 303ND28170 | ACTUATOR EXIT | | | 1 | 1 | 1 | 1 |
| 7 | 303M894260 | PARTS SENSOR OPT SP | | | 2 | 2 | 2 | 2 |
| 8 | 303ND31220 | GEAR Z12 PRESS | | | 1 | 1 | 1 | 1 |
| 9 | 3H316050 | GEAR 46 DRUM DRIVE | | | 1 | 1 | 1 | 1 |
| 10 | 33414050 | GEAR 22,SLEEVE | | | 1 | 1 | 1 | 1 |
| 11 | 303ND31120 | GEAR Z28 Z62 | | | 1 | 1 | 1 | 1 |
| 12 | 303ND31150 | GEAR Z53Z120R | | | 1 | 1 | 1 | 1 |
| 13 | 5MVX111DN003 | RING STOPPER /A-49 FEED A4 | | | 1 | 1 | 1 | 1 |
| 14 | 303ND31260 | GEAR Z30 EXIT | | | 1 | 1 | 1 | 1 |
| 15 | 303ND31160 | SHAFT BLADE DRIVE | | | 1 | 1 | 1 | 1 |
| 16 | 303ND31110 | MOUNT BLADE DRIVE | | | 1 | 1 | 1 | 1 |
| 17 | 28107310 | BUSH 8 | | | 3 | 3 | 3 | 3 |
| 18 | 302K324450 | BUSH 6 | | | 1 | 1 | 1 | 1 |
| 19 | 303ND02130 | MOUNT STAPLER FRONT | | | 1 | 1 | 1 | 1 |
| 20 | 303ND02140 | MOUNT STAPLER REAR | | | 1 | 1 | 1 | 1 |
| 21 | 303ND28330 | SHEET EXIT OPEN | | | 1 | 1 | 1 | 1 |
| 22 | 303ND28351 | FILM STACK PAPER | | | 1 | 1 | 1 | 1 |
| 23 | 303ND04051 | COVER LEFT | | | 1 | 1 | 1 | 1 |
| 24 | 303J144011 | STAPLER EH280 | | | 1 | 1 | 1 | 1 |
| 25 | 3B805070 | LABEL B | | | 1 | 1 | 1 | 1 |
| 26 | 3B805080 | LABEL C | | | 1 | 1 | 1 | 1 |
| 27 | 303JY37400 | DISCHARGER GUIDE UP | | | 1 | 1 | 1 | 1 |
| 28 | 303ND31080 | LEVER PRESSURE C FRONT | | | 1 | 1 | 1 | 1 |
| 29 | 302K931960 | HOLDER BEARING 688ZZ | | | 2 | 2 | 2 | 2 |
| 30 | 7BE008165431H11 | BEARING 688ZZ | | | 2 | 2 | 2 | 2 |
| 31 | 303ND31090 | LEVER PRESSURE C REAR | | | 1 | 1 | 1 | 1 |
| 32 | 303ND28090 | GUIDE CONVEYING 3 FOLD | | | 1 | 1 | 1 | 1 |
| 33 | 303ND02150 | SHAFT RELEASE | | | 1 | 1 | 1 | 1 |
| 34 | 303ND02110 | WORK PLATE RELEASE FRONT | | | 1 | 1 | 1 | 1 |
| 35 | 303ND02100 | LEVER RELEASE | | | 1 | 1 | 1 | 1 |
| 36 | 303ND02190 | HOOK RELEASE FRONT | | | 2 | 2 | 2 | 2 |
| 37 | 303JY37260 | SPRING SOL A | | | 1 | 1 | 1 | 1 |
| 38 | 303ND02120 | WORK PLATE RELEASE REAR | | | 1 | 1 | 1 | 1 |
| 39 | 3CA16220 | HOLDER,PAPER EJECT REGISTRATION BRUSH | | | 2 | 2 | 2 | 2 |
| 40 | 303ND28300 | BRUSH PAPER EJ REGIST | | | 2 | 2 | 2 | 2 |
| 41 | 302K994370 | PARTS SOLENOID FEED SHIFT SP | | | 1 | 1 | 1 | 1 |
| 42 | 303ND28211 | MOUNT SOLENOID | | | 1 | 1 | 1 | 1 |
| 43 | 2FG20350 | SPRING CLAW | | | 1 | 1 | 1 | 1 |
| 44 | 303J124610 | PULLEY FEED IN | | | 4 | 4 | 4 | 4 |
| 45 | 303ND24240 | RUBBER FEED IN | | | 4 | 4 | 4 | 4 |
| 46 | 303J124640 | SHAFT PULLEY FEED IN | | | 2 | 2 | 2 | 2 |
| 47 | 303J124700 | COLLAR FEED IN | | | 2 | 2 | 2 | 2 |
| 48 | 66321290 | PULLEY,EJECT | | | 4 | 4 | 4 | 4 |
| 49 | 303J124720 | BUSHING FEED IN | | | 4 | 4 | 4 | 4 |
| 50 | 303J124630 | HOLDER PULLEY FEED IN | | | 2 | 2 | 2 | 2 |

FIG. 3 Booklet Folder 3

3ND-D

| Ref No. | Part.No. | Description | Notes | Revision | Quantity | | | |
|---------|-----------------|------------------------------------|-------|-------------|----------|-----|-----|-----|
| | | | | | 100 | 120 | 230 | 240 |
| 51 | 303ND24340 | SPRING FEED IN | | | 6 | 6 | 6 | 6 |
| 52 | 303J124620 | MOUNT PULLEY FEED IN | | | 2 | 2 | 2 | 2 |
| 53 | 303J124710 | SPACER FEED IN | | | 4 | 4 | 4 | 4 |
| 54 | 303ND24171 | GUIDE FEED IN | | | 1 | 1 | 1 | 1 |
| 55 | 303ND24210 | PAD SENSOR | | | 1 | 1 | 1 | 1 |
| 56 | 303ND24110 | GUIDE FEED LOW | | | 1 | 1 | 1 | 1 |
| 57 | 303ND24260 | FILM FEED IN | | | 2 | 2 | 2 | 2 |
| 58 | 303ND24120 | GUIDE FEED UP | | | 1 | 1 | 1 | 1 |
| 59 | 303ND24221 | GUIDE WIRE FEED | | | 1 | 1 | 1 | 1 |
| 60 | 303NW94060 | PARTS SENSOR OPT. SP | | Design-chg. | 1 | 1 | 1 | 1 |
| 61 | 7YZM610007++H01 | ACCESS.SADDLE | | | 2 | 2 | 2 | 2 |
| 62 | 7YZM410004++H01 | ACCESS.BAND | | | 3 | 3 | 3 | 3 |
| 63 | 303ND46240 | WIRE CARRY SENSOR | | | 1 | 1 | 1 | 1 |
| 64 | 303LL02330 | HOLDER WIRE D | | | 2 | 2 | 2 | 2 |
| 65 | 303ND28071 | GUIDE EXIT OPEN | | | 1 | 1 | 1 | 1 |
| 66 | 2C907360 | SPRING CURSOR R | | | 2 | 2 | 2 | 2 |
| 67 | 2FM04150 | CAP SPRING /B-11 ENCLOSURE A4 | | | 2 | 2 | 2 | 2 |
| 68 | 302K324460 | SHAFT FEED | | | 2 | 2 | 2 | 2 |
| 69 | 302KV06330 | PULLEY MIDDLE | | | 2 | 2 | 2 | 2 |
| 70 | 302F929260 | PULLEY DU LOW | | | 2 | 2 | 2 | 2 |
| 71 | 303ND28080 | COVER EXIT OPEN | | | 1 | 1 | 1 | 1 |
| 72 | 302H725A00 | SPRING FUSER ACTUATOR | | | 2 | 2 | 2 | 2 |
| 73 | 303ND46190 | WIRE MID SENSOR | | | 1 | 1 | 1 | 1 |
| 74 | 303ND28190 | SHAFT LEFT UP OPEN | | | 1 | 1 | 1 | 1 |
| 75 | 303J128160 | PLATE EXIT REAR | | | 1 | 1 | 1 | 1 |
| 76 | 303J128170 | SPRING EXIT HOOK | | | 1 | 1 | 1 | 1 |
| 77 | 303ND28110 | HANDLE EXIT | | | 1 | 1 | 1 | 1 |
| 78 | 303J128150 | PLATE EXIT FRONT | | | 1 | 1 | 1 | 1 |
| 79 | 303ND28410 | SPRING EJECT | | | 4 | 4 | 4 | 4 |
| 80 | 303ND28280 | LID COVER EXIT | | | 1 | 1 | 1 | 1 |
| 81 | 2BL16200 | SPRING CONVEYING | | | 1 | 1 | 1 | 1 |
| 82 | 303J902330 | PIN TABLE FULCRUM B | | | 1 | 1 | 1 | 1 |
| 83 | 303ND46130 | WIRE SOLENOID2 | | | 1 | 1 | 1 | 1 |
| | | | | | | | | |
| | | | | | | | | |
| | | | | | | | | |
| | | | | | | | | |
| | | | | | | | | |
| | | | | | | | | |
| | | | | | | | | |
| | | | | | | | | |
| | | | | | | | | |
| | | | | | | | | |
| 101 | 7BP512016B0CH01 | PARALLEL PIN 2.0X16 | | | | | | |
| 102 | 7BP512514B0CH01 | PARALLEL PIN 2.5X14 | | | | | | |
| 103 | 5MBP2012WXSP | SPRING PIN/ M2 X 12 S-BLK | | | | | | |
| 104 | 7BB782308H | +TP-FLAT T.T S SCREW 3X8 SR(BLACK) | | | | | | |
| 105 | 7BB700408H | +BIND T.T S SCREW 4X8 SR | | | | | | |
| 106 | 7BB700308H | +BIND T.T S SCREW 3X8 SR | | | | | | |
| 107 | 7BB700316H | +BIND T.T S SCREW 3X16 SR | | | | | | |
| 108 | 7BB600306H | +BIND M SCREW 3X6 R | | | | | | |
| | | | | | | | | |
| | | | | | | | | |
| | | | | | | | | |
| | | | | | | | | |
| | | | | | | | | |
| | | | | | | | | |
| | | | | | | | | |

FIG. 4 Booklet Folder 4

3ND

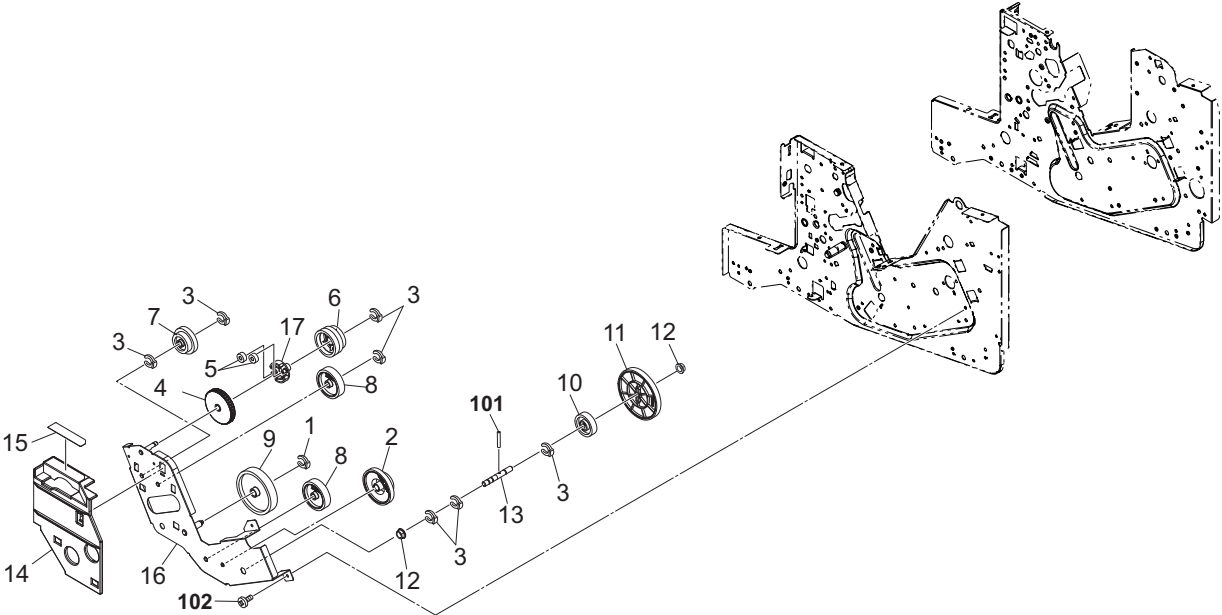


FIG. 4 Booklet Folder 4

3ND

| Ref No. | Part.No. | Description | Notes | Revision | Quantity | | | |
|---------|-----------------|----------------------------|-------|----------|----------|-----|-----|-----|
| | | | | | 100 | 120 | 230 | 240 |
| 1 | 2BC06910 | STOPPER 6 | | | 1 | 1 | 1 | 1 |
| 2 | 303ND31120 | GEAR Z28 Z62 | | | 1 | 1 | 1 | 1 |
| 3 | 5MVX111DN003 | RING STOPPER /A-49 FEED A4 | | | 7 | 7 | 7 | 7 |
| 4 | 303ND31330 | HANDLE PRESS DRIVE | | | 1 | 1 | 1 | 1 |
| 5 | 303ND31310 | GEAR Z12S | | | 2 | 2 | 2 | 2 |
| 6 | 303ND31300 | GEAR Z28S Z40R | | | 1 | 1 | 1 | 1 |
| 7 | 303ND31230 | GEAR Z24 Z32 | | | 1 | 1 | 1 | 1 |
| 8 | 303ND31180 | GEAR Z36 PRESS | | | 2 | 2 | 2 | 2 |
| 9 | 303ND31190 | GEAR Z56 PRESS | | | 1 | 1 | 1 | 1 |
| 10 | 303ND31170 | GEAR Z38 PRESS | | | 1 | 1 | 1 | 1 |
| 11 | 303ND31130 | GEAR Z126R PRESS | | | 1 | 1 | 1 | 1 |
| 12 | 302K324450 | BUSH 6 | | | 2 | 2 | 2 | 2 |
| 13 | 303ND31270 | SHAFT PRESS DRIVE | | | 1 | 1 | 1 | 1 |
| 14 | 303ND31290 | COVER PRESS DRIVE | | | 1 | 1 | 1 | 1 |
| 15 | 303ND34040 | LABEL D9 | | | 1 | 1 | 1 | 1 |
| 16 | 303ND31250 | PLATE PRESS DRIVE | | | 1 | 1 | 1 | 1 |
| 17 | 303ND31320 | PLATE HANDLE DRIVE | | | 1 | 1 | 1 | 1 |
| 101 | 7BP512016B0CH01 | PARALLEL PIN 2.0X16 | | | | | | |
| 102 | 7BB700308H | +BIND T.T S SCREW 3X8 SR | | | | | | |

FIG. 5 Accessories

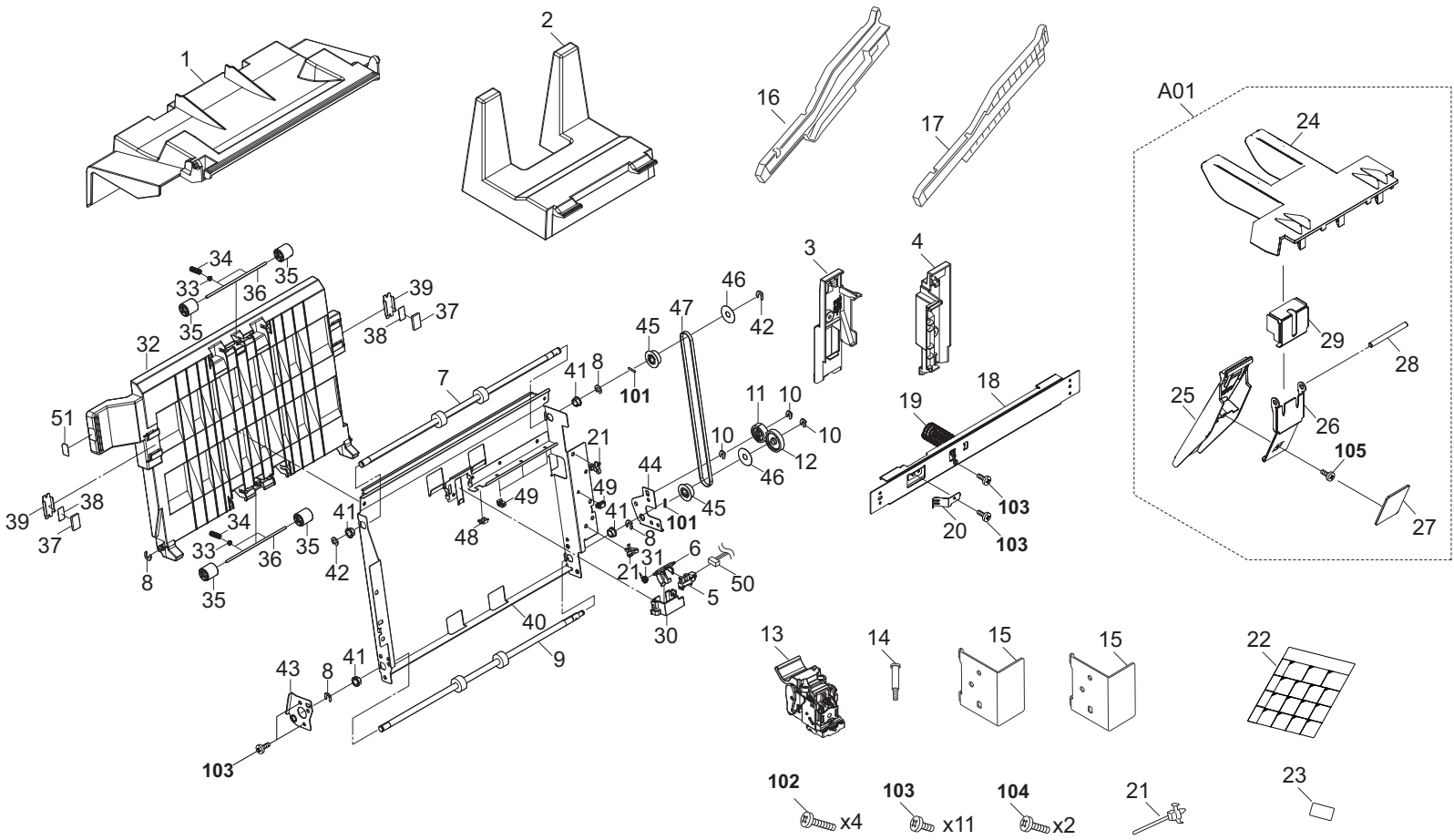


FIG. 5 Accessories

3ND

| Ref No. | Part.No. | Description | Notes | Revision | Quantity | | | |
|---------|-----------------|--------------------------------------|-------|----------|----------|-----|-----|-----|
| | | | | | 100 | 120 | 230 | 240 |
| 1 | 303ND04010 | TRAY EJECT BASE | | | 1 | 1 | 1 | 1 |
| 2 | 303ND04020 | TRAY EJECT STOCK | | | 1 | 1 | 1 | 1 |
| 3 | 303ND04030 | COVER SADDLE F | | | 1 | 1 | 1 | 1 |
| 4 | 303ND04041 | COVER SADDLE R | | | 1 | 1 | 1 | 1 |
| 5 | 303M894260 | PARTS SENSOR OPT SP | | | 1 | 1 | 1 | 1 |
| 6 | 303ND37090 | ACTUATOR PI | | | 1 | 1 | 1 | 1 |
| 7 | 303ND94080 | PARTS ROLLER BRIDGE UP SP | | | 1 | 1 | 1 | 1 |
| 8 | 2BC06910 | STOPPER 6 | | | 4 | 4 | 4 | 4 |
| 9 | 303ND94090 | PARTS ROLLER BRIDGE LOW SP | | | 1 | 1 | 1 | 1 |
| 10 | 5MVX111DN003 | RING STOPPER /A-49 FEED A4 | | | 3 | 3 | 3 | 3 |
| 11 | 303NJ31130 | GEAR Z28R | | | 1 | 1 | 1 | 1 |
| 12 | 303NF31050 | GEAR Z35L | | | 1 | 1 | 1 | 1 |
| 13 | 303J138010 | CARTRIDGE EH280 | | | 1 | 1 | 1 | 1 |
| 14 | 3CY02240 | REAR PIN,HOOK | | | 1 | 1 | 1 | 1 |
| 15 | 303ND02310 | LOCK MAIN TRAY | | | 2 | 2 | 2 | 2 |
| 16 | 303ND02090 | RAIL REAR | | | 1 | 1 | 1 | 1 |
| 17 | 303ND02080 | RAIL FRONT | | | 1 | 1 | 1 | 1 |
| 18 | 303ND02230 | RETAINER PLATE | | | 1 | 1 | 1 | 1 |
| 19 | 303ND02330 | SPRING UNIT SET | | | 1 | 1 | 1 | 1 |
| 20 | 302FB09810 | GROUND PLATE DU REAR | | | 1 | 1 | 1 | 1 |
| 21 | 7YZM410004++H01 | ACCESS.BAND | | | 3 | 3 | 3 | 3 |
| 22 | 303ND34110 | LABEL OPERATION | | | 1 | 1 | 1 | 1 |
| 23 | 303ND34020 | LABEL D7 | | | 1 | 1 | 1 | 1 |
| A01 | 303ND94100 | PARTS ARM PAPER EJECT HOLDER ASSY SP | | | 1 | 1 | 1 | 1 |
| 24 | *303ND28101 | ARM PAPER EJECT HOLDER | | | 1 | 1 | 1 | 1 |
| 25 | *303J128290 | COVER EJECT PAPER HOLDER | | | 1 | 1 | 1 | 1 |
| 26 | *303J128260 | AUXILIARY PLATE EJECT ARM | | | 1 | 1 | 1 | 1 |
| 27 | *303J128280 | PAD EJECT PAPER HOLDER | | | 1 | 1 | 1 | 1 |
| 28 | *303J128251 | SHAFT EXIT PAPER HOLDER | | | 1 | 1 | 1 | 1 |
| 29 | *303ND28320 | STOPPER ARM HOLDER | | | 1 | 1 | 1 | 1 |
| 30 | 303ND37100 | HOLDER FEED PI | | | 1 | 1 | 1 | 1 |
| 31 | 302H729120 | SPRING ACT DU | | | 1 | 1 | 1 | 1 |
| 32 | 303ND37010 | GUIDE BRIDGE LEFT | | | 1 | 1 | 1 | 1 |
| 33 | 2FM04150 | CAP SPRING /B-11 ENCLOSURE A4 | | | 4 | 4 | 4 | 4 |
| 34 | 302H728100 | SPRING EXIT PULLEY | | | 4 | 4 | 4 | 4 |
| 35 | 302H722760 | PULLEY MIDDLE A | | | 4 | 4 | 4 | 4 |
| 36 | 302K324460 | SHAFT FEED | | | 2 | 2 | 2 | 2 |
| 37 | 302GR04380 | SEAL MAGNET | | | 2 | 2 | 2 | 2 |
| 38 | 302GR04370 | MAGNET CLIP DISH | | | 2 | 2 | 2 | 2 |
| 39 | 303NB24210 | HOLDER MAGNET | | | 2 | 2 | 2 | 2 |
| 40 | 303ND37020 | GUIDE BRIDGE RIGHT | | | 1 | 1 | 1 | 1 |
| 41 | 28107310 | BUSH 8 | | | 4 | 4 | 4 | 4 |
| 42 | 302K921420 | CUT-WASHER 6 | | | 2 | 2 | 2 | 2 |
| 43 | 303ND37060 | PLATE GUIDE FULCRUM | | | 1 | 1 | 1 | 1 |
| 44 | 303ND37050 | PLATE BRIDGE DRIVE | | | 1 | 1 | 1 | 1 |
| 45 | 3AP02040 | PULLEY 30,DUPLEX | | | 2 | 2 | 2 | 2 |
| 46 | 303JY38240 | SPACER 25 | | | 2 | 2 | 2 | 2 |
| 47 | 303ND37080 | BELT 40S2M486 | | | 1 | 1 | 1 | 1 |
| 48 | 7YZM210006++H01 | ACCESS.EDGING | | | 1 | 1 | 1 | 1 |
| 49 | 7YZM610007++H01 | ACCESS.SADDLE | | | 4 | 4 | 4 | 4 |

FIG. 5 Accessories

3ND

| Ref No. | Part.No. | Description | Notes | Revision | Quantity | | | |
|---------|--------------|-------------------------------------|-------|----------|----------|-----|-----|-----|
| | | | | | 100 | 120 | 230 | 240 |
| 50 | 303ND46200 | WIRE TRANSPORT SENSOR | | | 1 | 1 | 1 | 1 |
| 51 | 303ND34030 | LABEL D8 | | | 1 | 1 | 1 | 1 |
| 101 | 5MBP2012WXSP | SPRING PIN/ M2 X 12 S-BLK | | | | | | |
| 102 | 7BB700412H | +BIND T.T S SCREW 4X12 SR | | | | | | |
| 103 | 7BB700408H | +BIND T.T S SCREW 4X8 SR | | | | | | |
| 104 | 7BB782410H | +TP-FLAT T.T S SCREW 4X10 SR(BLACK) | | | | | | |
| 105 | 7BB200308H | +BIND T.T P SCREW 3X8 | | | | | | |

BF-9100

[CONFIDENTIAL]

FOR AUTHORIZED KYOCERA ENGINEERS ONLY. DO NOT DISTRIBUTE TO NON-AUTHORIZED PARTIES.

Items listed in the revision columns are defined as follows.

| Item | Description |
|---------------|---|
| Add | Add a new part |
| Del | Delete a part |
| Design-chg. | A design changed part (Parts number version up) |
| Part No.-chg. | A part number is changed to other one. |
| Quantity-chg. | Change Quantity of parts to use |
| Others | Other changes |
| Correction | Correction |

Revision history

| Rev. | Date | Remarks |
|------|----------------|---------------|
| 1 | November 2018 | Correction |
| 2 | January 2018 | Design change |
| 3 | September 2019 | Design change |
| 4 | September 2020 | Design change |
| | | |
| | | |
| | | |

Symbols in the parts list

- Parts without a Ref.No. in the illustration indicate they are not supplied.
- Parts with "*" are component parts or sub-assemblies of the assembly appearing immediately above them.
- Parts with "**" are component parts or sub-assembly with "*" appearing immediately above them.

[CONFIDENTIAL]

京セラドキュメントソリューションズ株式会社の許可なく、本資料を配布することを禁じます。

改訂欄記載項目の内容は以下の通りです。

| 記載項目 | 内容 |
|---------------|--------------|
| Add | 新規部品の追加 |
| Del | 部品の削除 |
| Design-chg. | 部品の設変(版数アップ) |
| Part No.-chg. | 部品番号の変更 |
| Quantity-chg. | 部品の個数変更 |
| Others | その他の変更 |
| Correction | 誤記訂正 |

改訂履歴

| Rev. | 改訂日 | 備考 |
|------|----------|------|
| 1 | 2018年11月 | 誤記訂正 |
| 2 | 2019年1月 | 設変対応 |
| 3 | 2019年9月 | 設変対応 |
| 4 | 2020年9月 | 設変対応 |
| | | |
| | | |
| | | |

記号の見方

- イラスト中で Ref 番号がない部品は供給できません。
- 部品番号欄の・印は、組立部品の単品部品及び準組立部品を表わします。
- 部品番号欄の**印は、準組立部品の単品部品を表わします。

———— CONTENTS ————

| | | |
|---------|---|----|
| FIG. 1 | Conveying Section 1 (Paper Entry) | 2 |
| FIG. 2 | Conveying Section 2 (Side Registration Upper) | 4 |
| FIG. 3 | Conveying Section 3 (Side Registration Lower) | 6 |
| FIG. 4 | Conveying Section 4 (Folded Paper)..... | 8 |
| FIG. 5 | Folding Section | 10 |
| FIG. 6 | Paddle Section | 12 |
| FIG. 7 | Exit Section..... | 14 |
| FIG. 8 | Drive Section 1 | 16 |
| FIG. 9 | Drive Section 2 | 18 |
| FIG. 10 | Accessories 1 | 20 |
| FIG. 11 | Accessories 2 (Bridge) | 22 |
| FIG. 12 | Accessories 3 (Exit Tray)..... | 24 |

WIRE

| | |
|--------------------------------|----|
| Wire Section (EN) | 26 |
| Wire. 1 Wire Section (EN)..... | 26 |
| Wire Section (JA) | 28 |
| Wire. 1 Wire Section (JA)..... | 28 |

FIG. 1 Conveying Section 1 (Paper Entry)

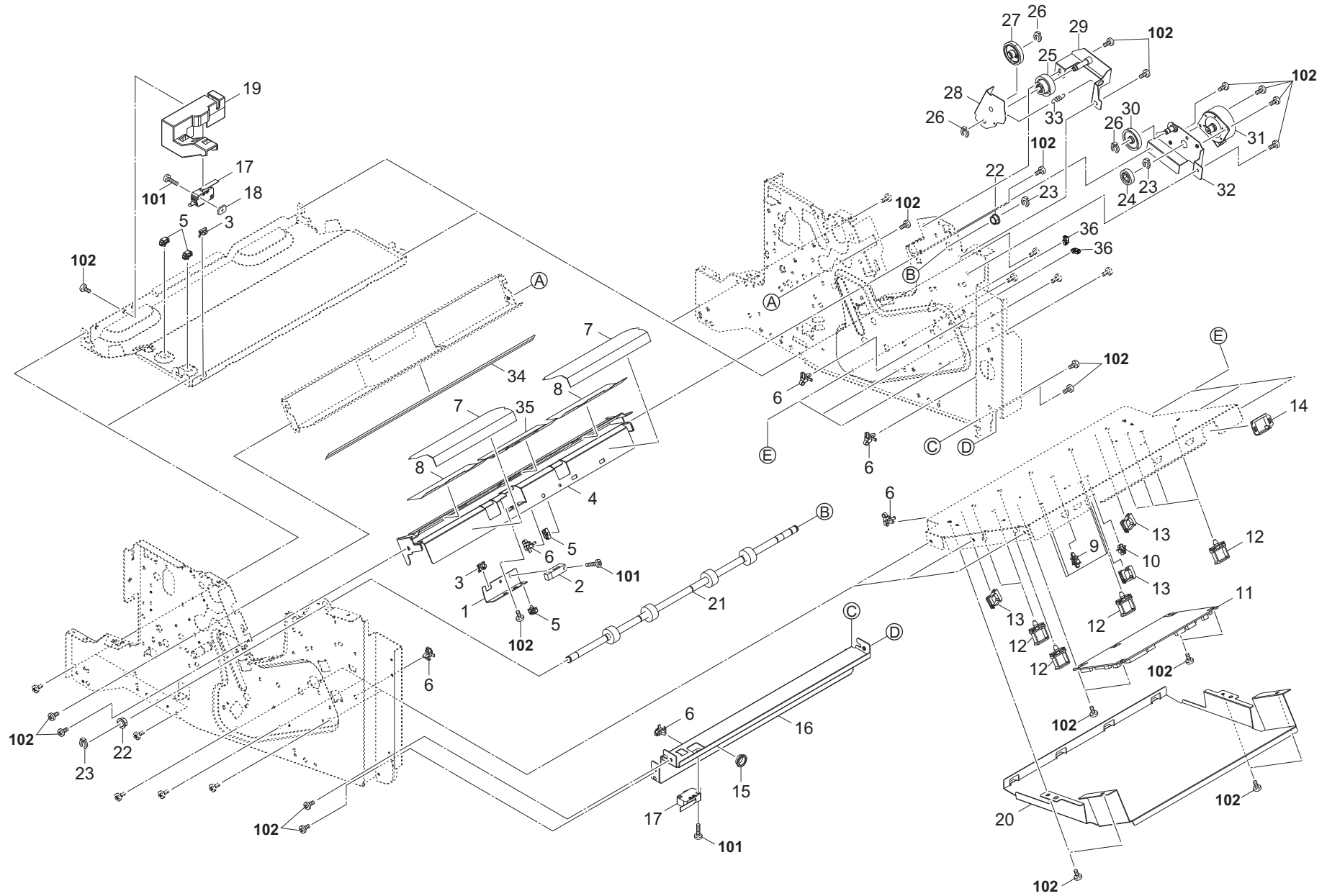


FIG. 1 Conveying Section 1 (Paper Entry)

| Ref No. | Part.No. | Description | Notes | Revision | Quantity | | | |
|---------|-----------------|-------------------------------------|-------|----------|----------|-----|-----|-----|
| | | | | | 100 | 120 | 230 | 240 |
| 1 | 303SP24850 | MOUNT CONVEYING SENSOR | | | 1 | 1 | 1 | 1 |
| 2 | 303NW94060 | PARTS SENSOR OPT. SP | | | 1 | 1 | 1 | 1 |
| 3 | 7YZM210006++H01 | ACCESS.EDGING | | | 2 | 2 | 2 | 2 |
| 4 | 303SP24810 | STAY SADDLE | | | 1 | 1 | 1 | 1 |
| 5 | 7YZM610007++H01 | ACCESS.SADDLE | | | 4 | 4 | 4 | 4 |
| 6 | 7YZM410004++H01 | ACCESS.BAND | | | 6 | 6 | 6 | 6 |
| 7 | 303SP24880 | SHEET STAY SADDLE LOW | | | 2 | 2 | 2 | 2 |
| 8 | 303SP24860 | FILM STAY SADDLE UP | | | 2 | 2 | 2 | 2 |
| 9 | 7YZM510007++H01 | ACCESS.SPACER | | | 1 | 1 | 1 | 1 |
| 10 | 7YZM510021++H01 | ACCESS.SPACER | | | 1 | 1 | 1 | 1 |
| 11 | 303SP94010 | PARTS PWB BF MAIN ASSY WITH SW (SP) | | | 1 | 1 | 1 | 1 |
| 12 | 7YZM610004++H01 | ACCESS SADDLE | | | 11 | 11 | 11 | 11 |
| 13 | 7YZM210005++H01 | ACCESS.EDGING | | | 3 | 3 | 3 | 3 |
| 14 | 7YZM210011++H01 | ACCESS.EDGING | | | 1 | 1 | 1 | 1 |
| 15 | 7YZM110001++H01 | ACCESS.BUSHING | | | 1 | 1 | 1 | 1 |
| 16 | 303ND02160 | STAY RIGHT LOW | | | 1 | 1 | 1 | 1 |
| 17 | 7SM010102++H01 | SW.MICRO | | | 2 | 2 | 2 | 2 |
| 18 | 302K926050 | NUT FUSER | | | 1 | 1 | 1 | 1 |
| 19 | 303ND02180 | MOUNT INTERLOCK TRAY | | | 1 | 1 | 1 | 1 |
| 20 | 303ND02350 | PLATE COVER PWB | | | 1 | 1 | 1 | 1 |
| 21 | 303SP94070 | PARTS ROLLER FEED IN (SP) | | | 1 | 1 | 1 | 1 |
| 22 | 28107310 | BUSH 8 | | | 2 | 2 | 2 | 2 |
| 23 | 2BC06910 | STOPPER 6 | | | 3 | 3 | 3 | 3 |
| 24 | 303NB31010 | GEAR Z35R | | | 1 | 1 | 1 | 1 |
| 25 | 303ND31510 | GEAR Z30R Z30R | | | 1 | 1 | 1 | 1 |
| 26 | 5MVX111DN003 | RING STOPPER/A-49 FEED A4 | | | 3 | 3 | 3 | 3 |
| 27 | 303P731090 | GEAR Z34L | | | 1 | 1 | 1 | 1 |
| 28 | 303SP31060 | PLATE JOINT DRIVE | | | 1 | 1 | 1 | 1 |
| 29 | 303ND31540 | PLATE JOINT FULCRUM | | | 1 | 1 | 1 | 1 |
| 30 | 303ND31520 | GEAR Z52L | | | 1 | 1 | 1 | 1 |
| 31 | 302HN44100 | MOTOR REVERSE | | | 1 | 1 | 1 | 1 |
| 32 | 303ND31530 | MOUNT MOTOR LOW | | | 1 | 1 | 1 | 1 |
| 33 | 303J102210 | SPRING RELEASE | | | 1 | 1 | 1 | 1 |
| 34 | 303SP24650 | FILM STAY LEFT | | | 1 | 1 | 1 | 1 |
| 35 | 303SP24870 | FILM STAY SADDLE UP CENTER | | | 1 | 1 | 1 | 1 |
| 36 | 7YZM610008++H01 | ACCESS.SADDLE | | | 2 | 2 | 2 | 2 |
| 101 | 7BB700316H | +BIND T.T S SCREW 3X16 SR | | | | | | |
| 102 | 7BB700308H | +BIND T.T S SCREW 3X8 SR | | | | | | |

FIG. 2 Conveying Section 2 (Side Registration Upper)

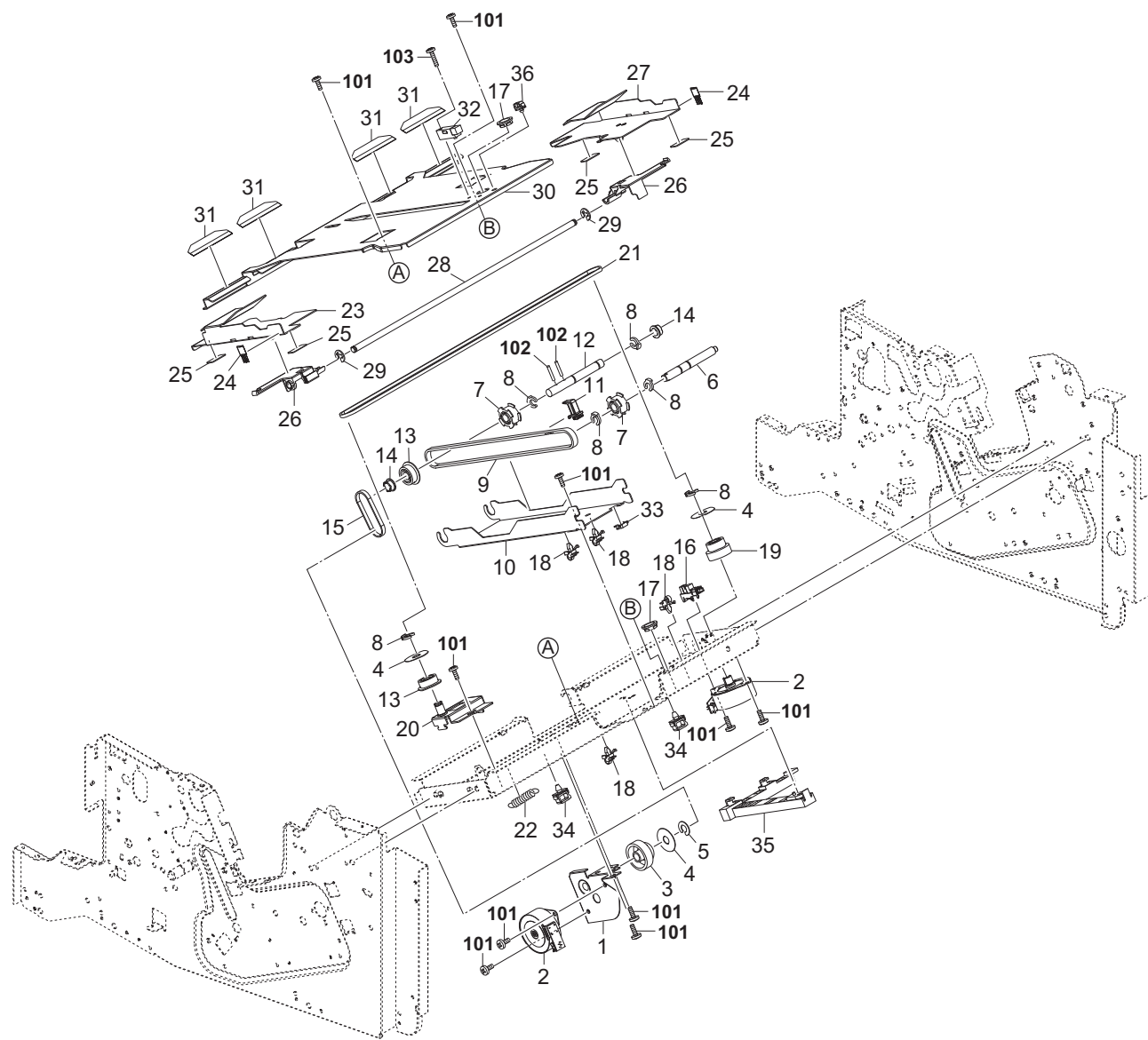


FIG. 2 Conveying Section 2 (Side Registration Upper)

3SP

| Ref No. | Part.No. | Description | Notes | Revision | Quantity | | | |
|---------|-----------------|---------------------------|-------|----------|----------|-----|-----|-----|
| | | | | | 100 | 120 | 230 | 240 |
| 1 | 303ND24030 | MOUNT MOTOR | | | 1 | 1 | 1 | 1 |
| 2 | 302HN44100 | MOTOR REVERSE | | | 2 | 2 | 2 | 2 |
| 3 | 303ND24070 | GEAR Z54-P30 | | | 1 | 1 | 1 | 1 |
| 4 | 303JY38240 | SPACER 25 | | | 3 | 3 | 3 | 3 |
| 5 | 302K921420 | CUT-WASHER 6 | | | 1 | 1 | 1 | 1 |
| 6 | 303J124080 | SHAFT CONVEYING IDLE R | | | 1 | 1 | 1 | 1 |
| 7 | 3AK07230 | PULLEY 20S3M | | | 2 | 2 | 2 | 2 |
| 8 | 2BC06910 | STOPPER 6 | | | 6 | 6 | 6 | 6 |
| 9 | 303SP24330 | BELT CONVEYING UP | | | 1 | 1 | 1 | 1 |
| 10 | 303SP24250 | MOUNT BELT R | | | 1 | 1 | 1 | 1 |
| 11 | 303SP24300 | HOLDER CONVEYING UP | | | 1 | 1 | 1 | 1 |
| 12 | 303J124070 | SHAFT CONVEYING DRIVE R | | | 1 | 1 | 1 | 1 |
| 13 | 3AP02040 | PULLEY 30,DUPLEX | | | 2 | 2 | 2 | 2 |
| 14 | 28107310 | BUSH 8 | | | 2 | 2 | 2 | 2 |
| 15 | 302H017260 | BELT SCANNER | | | 1 | 1 | 1 | 1 |
| 16 | 302P794010 | PARTS SENSOR OPT. SP | | | 1 | 1 | 1 | 1 |
| 17 | 7YZM110001++H01 | ACCESS.BUSHING | | | 2 | 2 | 2 | 2 |
| 18 | 7YZM410004++H01 | ACCESS.BAND | | | 4 | 4 | 4 | 4 |
| 19 | 303SP24280 | GEAR Z45-P30 | | | 1 | 1 | 1 | 1 |
| 20 | 303SP24310 | PLATE CURSOR TENSION | | | 1 | 1 | 1 | 1 |
| 21 | 302KV02A90 | BELT S2M Z371 | | | 1 | 1 | 1 | 1 |
| 22 | 72418140 | SPRING, BLADE | | | 1 | 1 | 1 | 1 |
| 23 | 303SP24210 | CURSOR FRONT | | | 1 | 1 | 1 | 1 |
| 24 | 303JY37220 | STATIC ELIMINATOR CURSOR | | | 2 | 2 | 2 | 2 |
| 25 | 3B807640 | PAD,CURSOR | | | 4 | 4 | 4 | 4 |
| 26 | 303SP24240 | SLIDER CURSOR | | | 2 | 2 | 2 | 2 |
| 27 | 303SP24220 | CURSOR REAR | | | 1 | 1 | 1 | 1 |
| 28 | 303SP24290 | SHAFT CURSOR | | | 1 | 1 | 1 | 1 |
| 29 | 302FB09830 | CUT WASHER 4 | | | 2 | 2 | 2 | 2 |
| 30 | 303SP24230 | GUIDE REGIST | | | 1 | 1 | 1 | 1 |
| 31 | 303SP24320 | SHEET GUIDE REGIST | | | 4 | 4 | 4 | 4 |
| 32 | 303NW94060 | PARTS SENSOR OPT. SP | | | 1 | 1 | 1 | 1 |
| 33 | 7YZM210006++H01 | ACCESS.EDGING | | | 1 | 1 | 1 | 1 |
| 34 | 7YZM610001++H01 | ACCESS SADDLE | | | 2 | 2 | 2 | 2 |
| 35 | 303LV24010 | COVER WIRE | | | 1 | 1 | 1 | 1 |
| 36 | 7YZM610007++H01 | ACCESS.SADDLE | | | 1 | 1 | 1 | 1 |
| 101 | 7BB700308H | +BIND T.T S SCREW 3X8 SR | | | | | | |
| 102 | 7BP512512B0CH01 | PARALLEL PIN2.5X12 | | | | | | |
| 103 | 7BB700316H | +BIND T.T S SCREW 3X16 SR | | | | | | |

FIG. 3 Conveying Section 3 (Side Registration Lower)

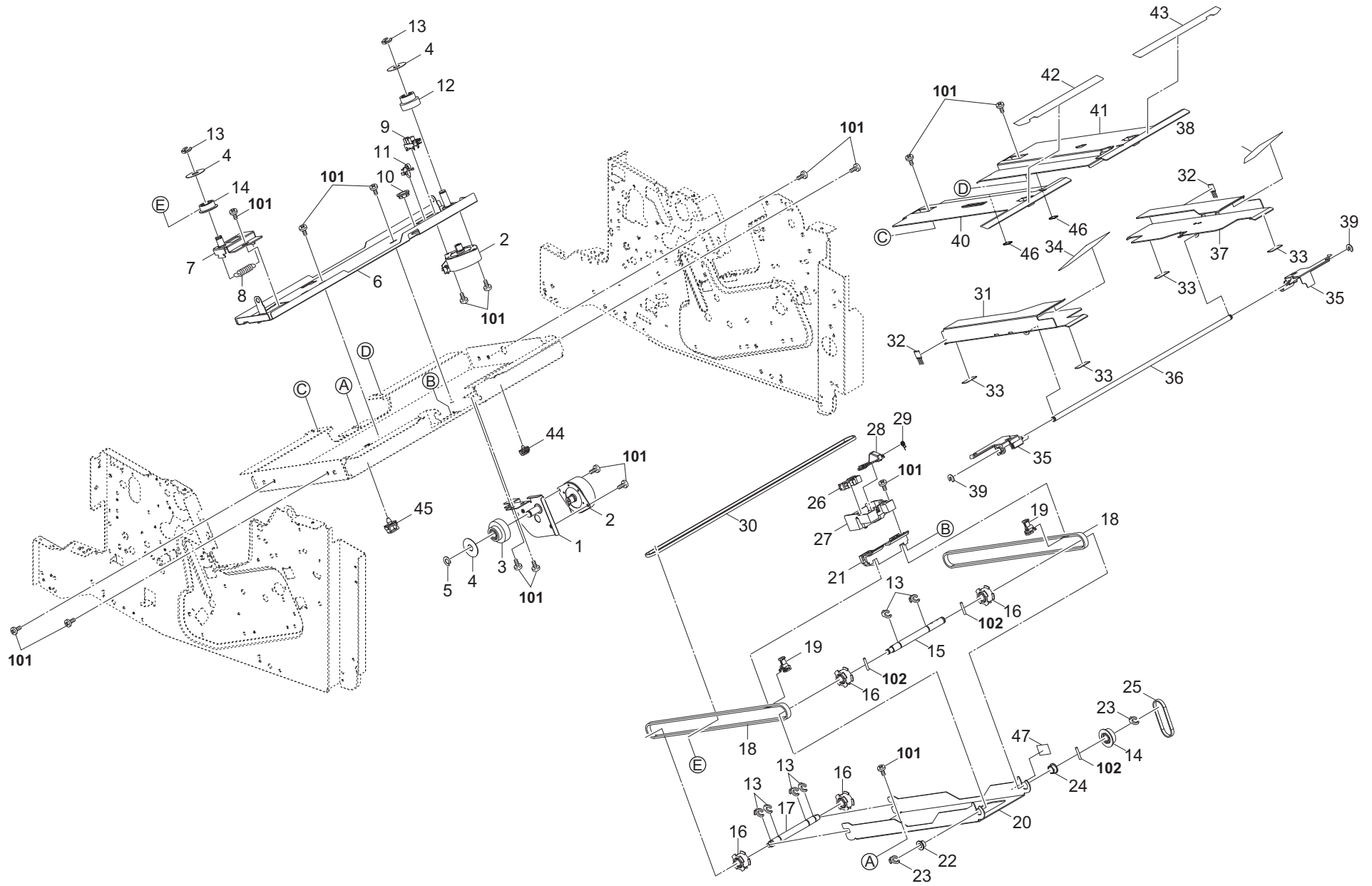


FIG. 3 Conveying Section 3 (Side Registration Lower)

3SP

| Ref No. | Part.No. | Description | Notes | Revision | Quantity | | | |
|---------|-----------------|----------------------------|-------|----------|----------|-----|-----|-----|
| | | | | | 100 | 120 | 230 | 240 |
| 1 | 303ND24030 | MOUNT MOTOR | | | 1 | 1 | 1 | 1 |
| 2 | 302HN44100 | MOTOR REVERSE | | | 2 | 2 | 2 | 2 |
| 3 | 303ND24070 | GEAR Z54-P30 | | | 1 | 1 | 1 | 1 |
| 4 | 303JY38240 | SPACER 25 | | | 3 | 3 | 3 | 3 |
| 5 | 302K921420 | CUT-WASHER 6 | | | 1 | 1 | 1 | 1 |
| 6 | 303SP24600 | PLATE CURSOR ADJUST | | | 1 | 1 | 1 | 1 |
| 7 | 303SP24310 | PLATE CURSOR TENSION | | | 1 | 1 | 1 | 1 |
| 8 | 72418140 | SPRING, BLADE | | | 1 | 1 | 1 | 1 |
| 9 | 302P794010 | PARTS SENSOR OPT. SP | | | 1 | 1 | 1 | 1 |
| 10 | 7YZM110001++H01 | ACCESS.BUSHING | | | 1 | 1 | 1 | 1 |
| 11 | 7YZM410004++H01 | ACCESS.BAND | | | 1 | 1 | 1 | 1 |
| 12 | 303SP24280 | GEAR Z45-P30 | | | 1 | 1 | 1 | 1 |
| 13 | 2BC06910 | STOPPER 6 | | | 8 | 8 | 8 | 8 |
| 14 | 3AP02040 | PULLEY 30,DUPLEX | | | 2 | 2 | 2 | 2 |
| 15 | 303ND24230 | SHAFT CONVEYING DRIVE L | | | 1 | 1 | 1 | 1 |
| 16 | 3AK07230 | PULLEY 20S3M | | | 4 | 4 | 4 | 4 |
| 17 | 303J124440 | SHAFT CONVEYING IDLE | | | 1 | 1 | 1 | 1 |
| 18 | 303SP24630 | BELT CONVEYING POSITIONING | | | 2 | 2 | 2 | 2 |
| 19 | 303ND24330 | JOINT CONVEYING BELT | | | 2 | 2 | 2 | 2 |
| 20 | 303SP24570 | MOUNT BELT L | | | 1 | 1 | 1 | 1 |
| 21 | 303J124460 | HOLDER CONVEYING LIFT | | | 1 | 1 | 1 | 1 |
| 22 | 302K324450 | BUSH 6 | | | 1 | 1 | 1 | 1 |
| 23 | 5MVX111DN003 | RING STOPPER/A-49 FEED A4 | | | 2 | 2 | 2 | 2 |
| 24 | 28107310 | BUSH 8 | | | 1 | 1 | 1 | 1 |
| 25 | 302H017260 | BELT SCANNER | | | 1 | 1 | 1 | 1 |
| 26 | 303M894260 | PARTS SENSOR OPT. SP | | | 1 | 1 | 1 | 1 |
| 27 | 303ND24130 | MOUNT HOLDER SENSOR | | | 1 | 1 | 1 | 1 |
| 28 | 303ND24140 | ACTUATOR HOLDER SENSOR | | | 1 | 1 | 1 | 1 |
| 29 | 302K928190 | SPRING-TORSION SWITCHBACK | | | 1 | 1 | 1 | 1 |
| 30 | 302KV02A90 | BELT S2M Z371 | | | 1 | 1 | 1 | 1 |
| 31 | 303SP24530 | CURSOR FW FRONT | | | 1 | 1 | 1 | 1 |
| 32 | 303JY37220 | STATIC ELIMINATOR CURSOR | | | 2 | 2 | 2 | 2 |
| 33 | 3B807640 | PAD,CURSOR | | | 4 | 4 | 4 | 4 |
| 34 | 303SP24690 | FILM CURSOR FW FRONT | | | 1 | 1 | 1 | 1 |
| 35 | 303SP24240 | SLIDER CURSOR | | | 2 | 2 | 2 | 2 |
| 36 | 303SP24290 | SHAFT CURSOR | | | 1 | 1 | 1 | 1 |
| 37 | 303SP24540 | CURSOR FW REAR | | | 1 | 1 | 1 | 1 |
| 38 | 303SP24700 | FILM CURSOR FW REAR | | | 1 | 1 | 1 | 1 |
| 39 | 302FB09830 | CUT WASHER 4 | | | 2 | 2 | 2 | 2 |
| 40 | 303SP24510 | GUIDE CONVEYING LOWER F | | | 1 | 1 | 1 | 1 |
| 41 | 303SP24520 | GUIDE CONVEYING LOWER R | | | 1 | 1 | 1 | 1 |
| 42 | 303SP24670 | FILM BLADE F | | | 1 | 1 | 1 | 1 |
| 43 | 303SP24680 | FILM BLADE R | | | 1 | 1 | 1 | 1 |
| 44 | 7YZM610007++H01 | ACCESS.SADDLE | | | 1 | 1 | 1 | 1 |
| 45 | 7YZM610001++H01 | ACCESS SADDLE | | | 1 | 1 | 1 | 1 |
| 46 | 302F729080 | SPACER DU | | | 2 | 2 | 2 | 2 |
| 47 | 303NG10350 | SHEET SWITCH PUSH | | | 1 | 1 | 1 | 1 |
| 101 | 7BB700308H | +BIND T.T S SCREW 3X8 SR | | | | | | |
| 102 | 7BP512512BOCH01 | PARALLEL PIN 2.5X12 | | | | | | |

FIG. 4 Conveying Section 4 (Folded Paper)

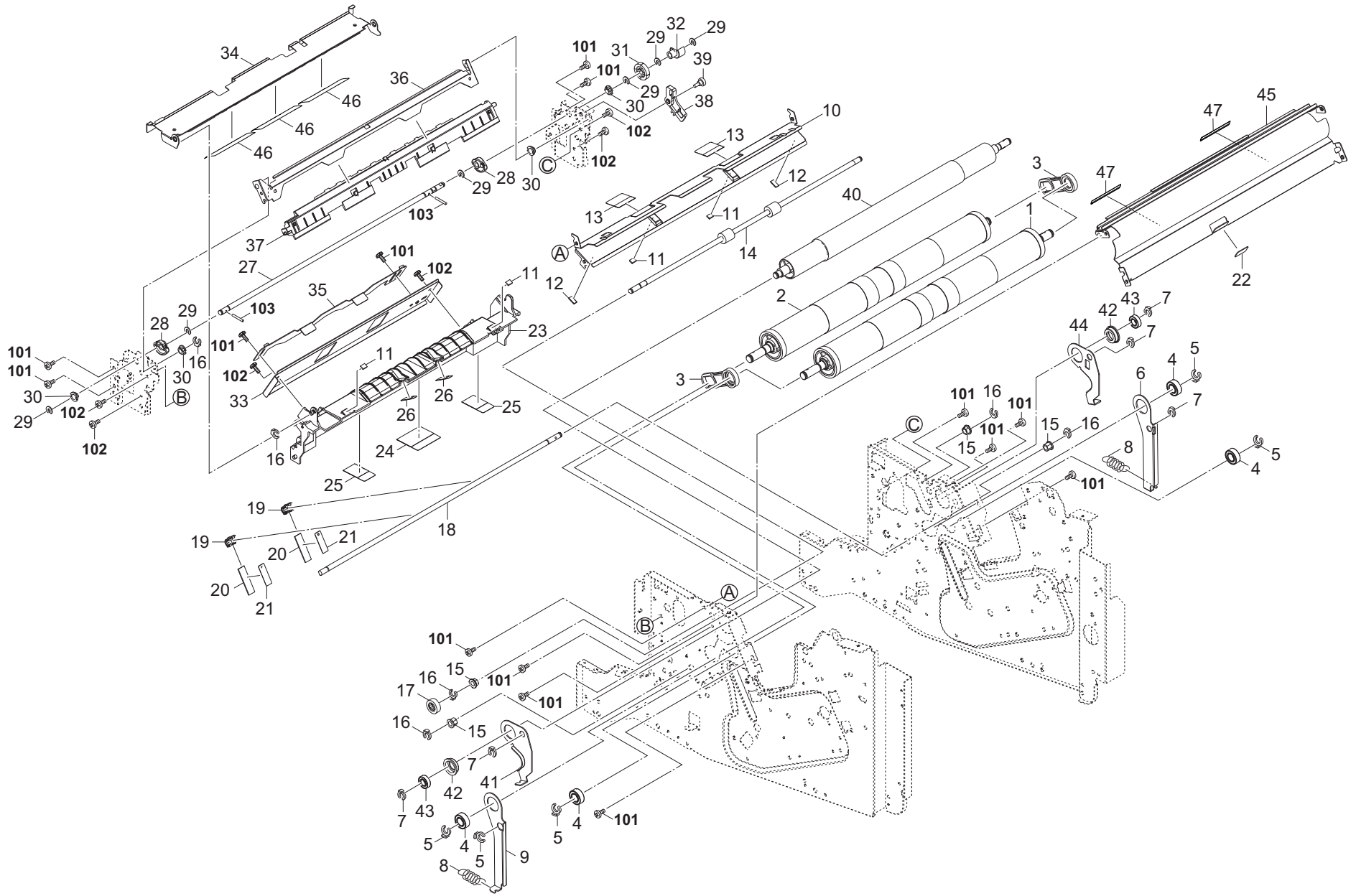


FIG. 4 Conveying Section 4 (Folded Paper)

3SP

| Ref No. | Part.No. | Description | Notes | Revision | Quantity | | | |
|---------|-----------------|--------------------------------|-------|----------|----------|-----|-----|-----|
| | | | | | 100 | 120 | 230 | 240 |
| 1 | 303SP94040 | PARTS ROLLER PRESS A (SP) | | | 1 | 1 | 1 | 1 |
| 2 | 303SP94050 | PARTS ROLLER PRESS B (SP) | | | 1 | 1 | 1 | 1 |
| 3 | 303ND31100 | SPACER ROLLER | | | 2 | 2 | 2 | 2 |
| 4 | 7BE010197431H01 | BEARING 6800ZZ(7MM) | | | 4 | 4 | 4 | 4 |
| 5 | 302K921120 | STOPPER 8 | | | 5 | 5 | 5 | 5 |
| 6 | 303ND31070 | LEVER PRESSURE B REAR | | | 1 | 1 | 1 | 1 |
| 7 | 2BC06910 | STOPPER 6 | | | 5 | 5 | 5 | 5 |
| 8 | 303SP31140 | SPRING PRESSURE | | | 2 | 2 | 2 | 2 |
| 9 | 303ND31060 | LEVER PRESSURE B FRONT | | | 1 | 1 | 1 | 1 |
| 10 | 303SP28120 | GUIDE CONVEYING EXIT | | | 1 | 1 | 1 | 1 |
| 11 | 303ND28310 | CUSHION GUIDE | | | 4 | 4 | 4 | 4 |
| 12 | 303H321070 | CUSHION FEED SHIFT GUIDE | | | 2 | 2 | 2 | 2 |
| 13 | 303SP28320 | FILM EXIT GUIDE | | | 2 | 2 | 2 | 2 |
| 14 | 303SP94030 | PARTS ROLLER EJECT 3 FOLD (SP) | | | 1 | 1 | 1 | 1 |
| 15 | 302K324450 | BUSH 6 | | | 4 | 4 | 4 | 4 |
| 16 | 5MVX111DN003 | RING STOPPER/A-49 FEED A4 | | | 6 | 6 | 6 | 6 |
| 17 | 302K031740 | GEAR BELT CLEANING DRIVE Z20L | | | 1 | 1 | 1 | 1 |
| 18 | 303SP24110 | SHAFT CONVEYING PADDLE B | | | 1 | 1 | 1 | 1 |
| 19 | 303PX36660 | HOLDER PADDLE | | | 2 | 2 | 2 | 2 |
| 20 | 303SP24140 | SHEET PADDLE | | | 2 | 2 | 2 | 2 |
| 21 | 303SP24150 | FILM PADDLE | | | 2 | 2 | 2 | 2 |
| 22 | 3B807640 | PAD,CURSOR | | | 1 | 1 | 1 | 1 |
| 23 | 303SP28020 | GUIDE STOP LOW | | | 1 | 1 | 1 | 1 |
| 24 | 303ND28360 | FILM STOP LOW A | | | 1 | 1 | 1 | 1 |
| 25 | 303ND28370 | FILM STOP LOW B | | | 2 | 2 | 2 | 2 |
| 26 | 303ND28380 | FILM STOP LOW C | | | 2 | 2 | 2 | 2 |
| 27 | 303SP28300 | SHAFT EXIT RELEASE | | | 1 | 1 | 1 | 1 |
| 28 | 303SP28280 | CAM EXIT RELEASE | | | 2 | 2 | 2 | 2 |
| 29 | 302FB09830 | CUT WASHER 4 | | | 6 | 6 | 6 | 6 |
| 30 | 302RH31150 | BUSH DRIVE | | | 4 | 4 | 4 | 4 |
| 31 | 3HW22020 | GEAR 25 | | | 1 | 1 | 1 | 1 |
| 32 | 303SP28290 | DETECTION EXIT RELEASE | | | 1 | 1 | 1 | 1 |
| 33 | 303SP28010 | GUIDE STOP UP | | | 1 | 1 | 1 | 1 |
| 34 | 303SP28060 | GUIDE EXIT | | | 1 | 1 | 1 | 1 |
| 35 | 303ND28030 | GUIDE STOP | | | 1 | 1 | 1 | 1 |
| 36 | 303SP28050 | MOUNT GUIDE EXIT SHIFT | | | 1 | 1 | 1 | 1 |
| 37 | 303SP28040 | GUIDE EXIT SHIFT | | | 1 | 1 | 1 | 1 |
| 38 | 303SP28150 | LEVER SOL GUIDE EXIT | | | 1 | 1 | 1 | 1 |
| 39 | 2FB20860 | PIN FUSER COVER | | | 1 | 1 | 1 | 1 |
| 40 | 303SP94060 | PARTS ROLLER PRESS C (SP) | | | 1 | 1 | 1 | 1 |
| 41 | 303SP31110 | LEVER PRESSURE C FRONT | | | 1 | 1 | 1 | 1 |
| 42 | 302K931960 | HOLDER BEARING 688ZZ | | | 2 | 2 | 2 | 2 |
| 43 | 7BE008165431H11 | BEARING 688ZZ | | | 2 | 2 | 2 | 2 |
| 44 | 303SP31120 | LEVER PRESSURE C REAR | | | 1 | 1 | 1 | 1 |
| 45 | 303SP28130 | GUIDE CONVEYING 3 FOLD | | | 1 | 1 | 1 | 1 |
| 46 | 303SP28340 | SHEET GUIDE EXIT | | | 3 | 3 | 3 | 3 |
| 47 | 303SP28180 | SHEET GUIDE CONVEYING 3 FOLD | | | 2 | 2 | 2 | 2 |
| 101 | 7BB700308H | +BIND T.T S SCREW 3X8 SR | | | | | | |
| 102 | 7BB200308H | +BIND T.T P SCREW 3X8 | | | | | | |
| 103 | 7BP512012B0CH01 | PARALLEL PIN2.0X12 | | | | | | |

FIG. 5 Folding Section

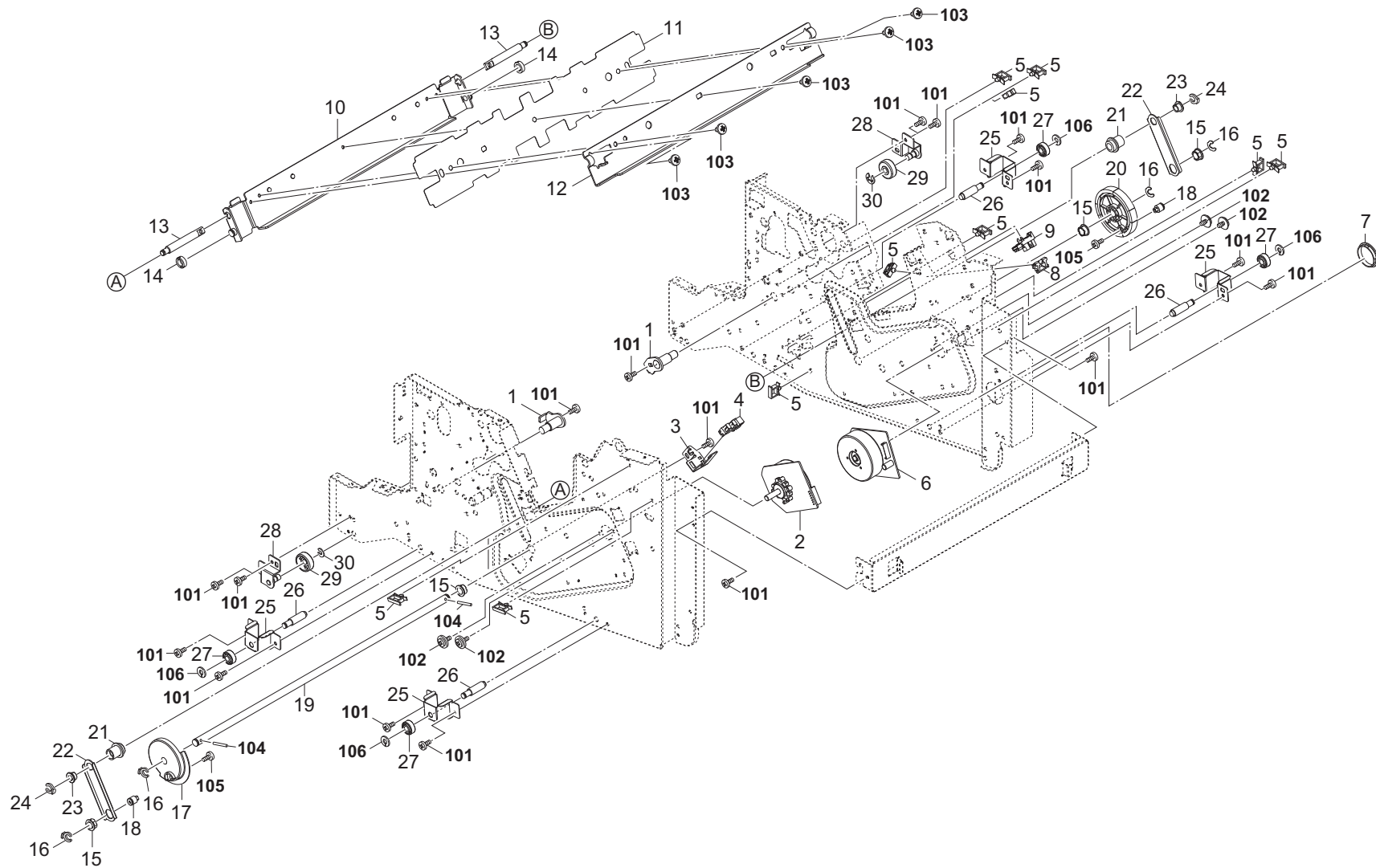


FIG. 5 Folding Section

3SP

| Ref No. | Part.No. | Description | Notes | Revision | Quantity | | | |
|---------|-----------------|---------------------------|------------------|----------|----------|-----|-----|-----|
| | | | | | 100 | 120 | 230 | 240 |
| 1 | 303ND02281 | FULCRUM PLATE RELEASE | | | 2 | 2 | 2 | 2 |
| 2 | 302LC94284 | PARTS MOTOR-BL W40 SP | | | 1 | 1 | 1 | 1 |
| 3 | 303J131340 | MOUNT BLADE PI | | | 1 | 1 | 1 | 1 |
| 4 | 303M894260 | PARTS SENSOR OPT SP | | | 1 | 1 | 1 | 1 |
| 5 | 7YZM610007++H01 | ACCESS.SADDLE | | | 10 | 10 | 10 | 10 |
| 6 | 303NB94053 | PARTS MOTOR-BL BRAKE SP | | | 1 | 1 | 1 | 1 |
| 7 | 7YZM110003++H01 | ACCESS,BUSHING | | | 1 | 1 | 1 | 1 |
| 8 | 7YZM210006++H01 | ACCESS.EDGING | | | 1 | 1 | 1 | 1 |
| 9 | 302P794010 | PARTS SENSOR OPT. SP | | | 1 | 1 | 1 | 1 |
| 10 | 303SP24830 | PLATE BLADE SUPPORT | | | 1 | 1 | 1 | 1 |
| 11 | 303SP24820 | BLADE MID PRESSING | | | 1 | 1 | 1 | 1 |
| 12 | 303SP24840 | HOLDER BLADE | | | 1 | 1 | 1 | 1 |
| 13 | 303J124450 | SHAFT BLADE | | | 2 | 2 | 2 | 2 |
| 14 | 303J124210 | BUSHING BLADE | | | 2 | 2 | 2 | 2 |
| 15 | 28107310 | BUSH 8 | | | 4 | 4 | 4 | 4 |
| 16 | 2BC06910 | STOPPER 6 | | | 4 | 4 | 4 | 4 |
| 17 | 303ND31280 | CAM BLADE | | | 1 | 1 | 1 | 1 |
| 18 | 303ND31340 | PIN BLADE DRIVE | | | 2 | 2 | 2 | 2 |
| 19 | 303SP31040 | SHAFT BLADE DRIVE L | | | 1 | 1 | 1 | 1 |
| 20 | 303J124170 | GEAR 55 BLADE PRESSURE | | | 1 | 1 | 1 | 1 |
| 21 | 303J124670 | SPACER BLADE | | | 2 | 2 | 2 | 2 |
| 22 | 303ND31040 | ARM BLADE PRESS | | | 2 | 2 | 2 | 2 |
| 23 | 302K324450 | BUSH 6 | | | 2 | 2 | 2 | 2 |
| 24 | 5MVX111DN003 | RING STOPPER/A-49 FEED A4 | | | 2 | 2 | 2 | 2 |
| 25 | 303ND02060 | MOUNT SHAFT RAIL | | | 4 | 4 | 4 | 4 |
| 26 | 303ND02070 | SHAFT RAIL | | | 4 | 4 | 4 | 4 |
| 27 | 302FG07020 | PULLEY,CASSETTE RAIL | | | 4 | 4 | 4 | 4 |
| 28 | 303ND02200 | MOUNT PULLEY RAIL | | | 2 | 2 | 2 | 2 |
| 29 | 34907150 | PULLEY,CASSETTE | | | 2 | 2 | 2 | 2 |
| 30 | 302FB09830 | CUT WASHER 4 | | | 2 | 2 | 2 | 2 |
| 101 | 7BB700308H | +BIND T.T S SCREW 3X8 SR | | | | | | |
| 102 | | BIND M SCREW 3X4 3M2510 | Obtained locally | | | | | |
| 103 | 7BB000406H | +BIND M SCREW 4X6 | | | | | | |
| 104 | 7BP512516B0CH01 | PARALLEL PIN 2.5X16 | | | | | | |
| 105 | 7BB000306H | +BIND M SCREW 3X6 | | | | | | |
| 106 | 7BC46042A050H01 | CUT WASHER 4.2X10.0X0.5T | | | | | | |

FIG. 6 Paddle Section

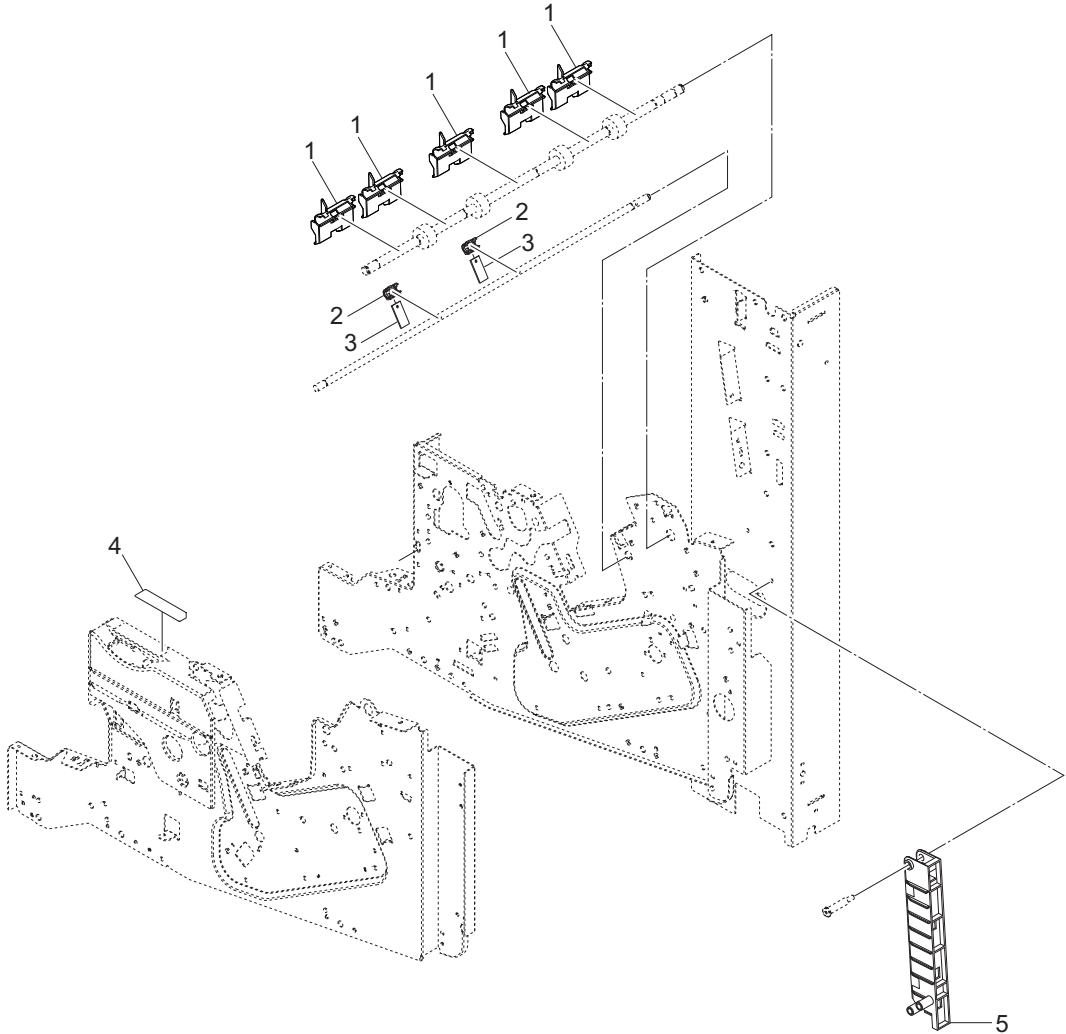


FIG. 7 Exit Section

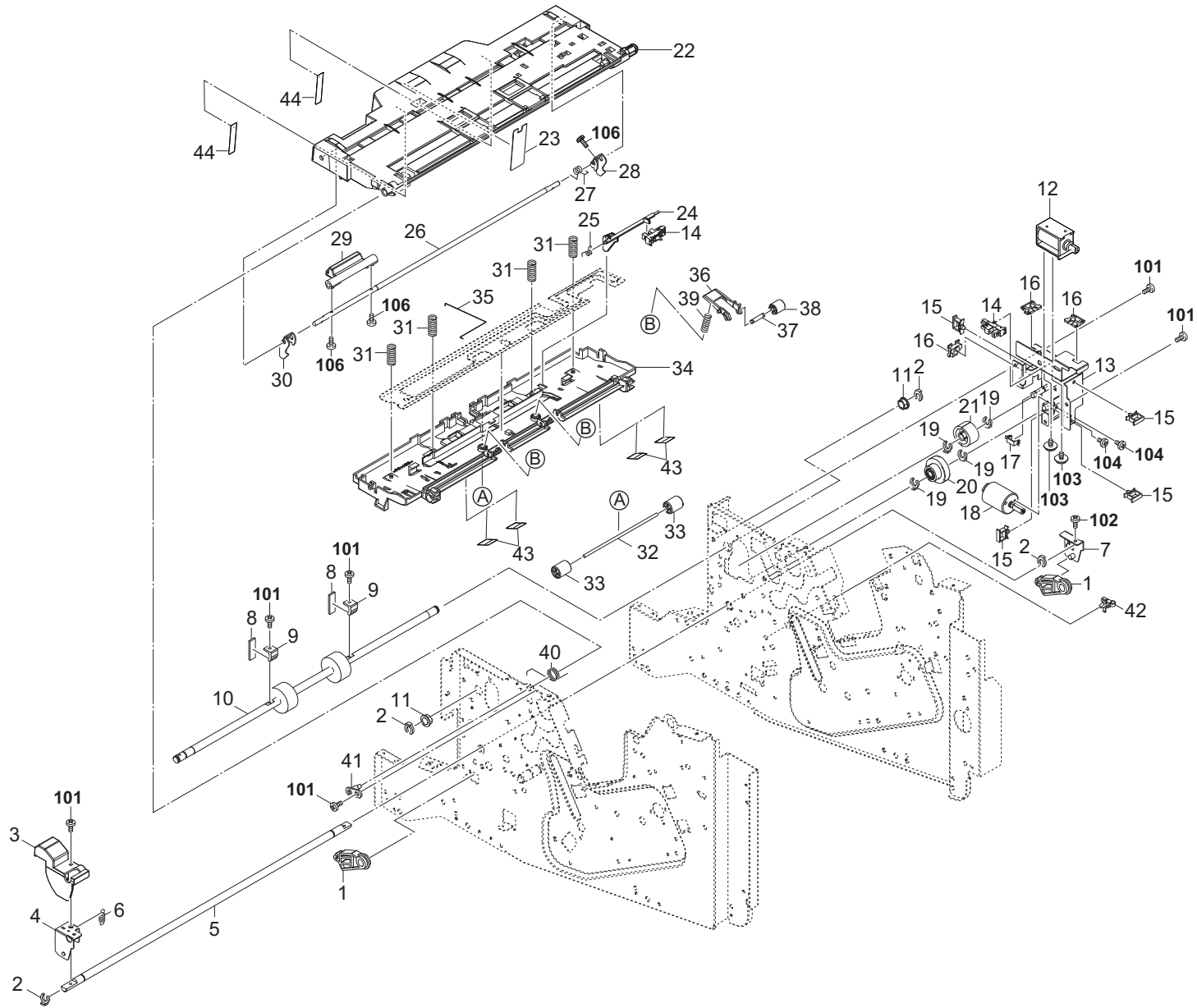


FIG. 7 Exit Section

| Ref No. | Part.No. | Description | Notes | Revision | Quantity | | | |
|---------|-----------------|---------------------------------------|-------|----------|----------|-----|-----|-----|
| | | | | | 100 | 120 | 230 | 240 |
| 1 | 303ND02190 | HOOK RELEASE FRONT | | | 2 | 2 | 2 | 2 |
| 2 | 2BC06910 | STOPPER 6 | | | 4 | 4 | 4 | 4 |
| 3 | 303ND02100 | LEVER RELEASE | | | 1 | 1 | 1 | 1 |
| 4 | 303ND02110 | WORK PLATE RELEASE FRONT | | | 1 | 1 | 1 | 1 |
| 5 | 303SP02130 | SHAFT RELEASE | | | 1 | 1 | 1 | 1 |
| 6 | 303JY37260 | SPRING SOLA | | | 1 | 1 | 1 | 1 |
| 7 | 303ND02120 | WORK PLATE RELEASE REAR | | | 1 | 1 | 1 | 1 |
| 8 | 303ND28300 | BRUSH PAPER EJ REGIST | | | 2 | 2 | 2 | 2 |
| 9 | 3CA16220 | HOLDER,PAPER EJECT REGISTRATION BRUSH | | | 2 | 2 | 2 | 2 |
| 10 | 303SP94020 | PARTS ROLLER EJECT (SP) | | | 1 | 1 | 1 | 1 |
| 11 | 28107310 | BUSH 8 | | | 2 | 2 | 2 | 2 |
| 12 | 303SP94110 | PARTS SOLENOID FEED SHIFT ASSY SP | | | 1 | 1 | 1 | 1 |
| 13 | 303SP28140 | MOUNT SOLENOID | | | 1 | 1 | 1 | 1 |
| 14 | 302P794010 | PARTS SENSOR OPT. SP | | | 2 | 2 | 2 | 2 |
| 15 | 7YZM610007++H01 | ACCESS.SADDLE | | | 4 | 4 | 4 | 4 |
| 16 | 7YZM210006++H01 | ACCESS.EDGING | | | 3 | 3 | 3 | 3 |
| 17 | 302K931080 | WIRE STOPPER | | | 1 | 1 | 1 | 1 |
| 18 | 302R494290 | PARTS DC MOTOR ASSY C SP | | | 1 | 1 | 1 | 1 |
| 19 | 5MVX111DN003 | RING STOPPER/A-49 FEED A4 | | | 4 | 4 | 4 | 4 |
| 20 | 302K931760 | WORM WHEEL Z56L-Z20S | | | 1 | 1 | 1 | 1 |
| 21 | 302HG28060 | GEAR IDLE Z28S | | | 1 | 1 | 1 | 1 |
| 22 | 303SP28210 | COVER EXIT OPEN | | | 1 | 1 | 1 | 1 |
| 23 | 303ND28351 | FILM STACK PAPER | | | 1 | 1 | 1 | 1 |
| 24 | 303ND28170 | ACTUATOR EXIT | | | 1 | 1 | 1 | 1 |
| 25 | 302H725A00 | SPRING FUSER ACTUATOR | | | 1 | 1 | 1 | 1 |
| 26 | 303SP28260 | SHAFT LEFT UP OPEN | | | 1 | 1 | 1 | 1 |
| 27 | 303J128170 | SPRING EXIT HOOK | | | 1 | 1 | 1 | 1 |
| 28 | 303J128160 | PLATE EXIT REAR | | | 1 | 1 | 1 | 1 |
| 29 | 303ND28110 | HANDLE EXIT | | | 1 | 1 | 1 | 1 |
| 30 | 303J128150 | PLATE EXIT FRONT | | | 1 | 1 | 1 | 1 |
| 31 | 303ND28410 | SPRING EJECT | | | 4 | 4 | 4 | 4 |
| 32 | 302K324460 | SHAFT FEED | | | 1 | 1 | 1 | 1 |
| 33 | 302F929260 | PULLEY DU LOW | | | 2 | 2 | 2 | 2 |
| 34 | 303SP28200 | GUIDE EXIT OPEN | | | 1 | 1 | 1 | 1 |
| 35 | 303SP28330 | SPRING EARTH EXIT GUIDE | | | 1 | 1 | 1 | 1 |
| 36 | 303M824121 | HOLDER RIGHT PULLEY | | | 2 | 2 | 2 | 2 |
| 37 | 303M824200 | SHAFT PULLEY | | | 2 | 2 | 2 | 2 |
| 38 | 303JX29160 | PULLEY CONVEYING | | | 2 | 2 | 2 | 2 |
| 39 | 303NA06110 | SPRING PICK UP | | | 2 | 2 | 2 | 2 |
| 40 | 2BL16200 | SPRING CONVEYING | | | 1 | 1 | 1 | 1 |
| 41 | 303J902330 | PIN TABLE FULCRUM B | | | 1 | 1 | 1 | 1 |
| 42 | 7YZM410004++H01 | ACCESS.BAND | | | 1 | 1 | 1 | 1 |
| 43 | 303SP28350 | FILM EXIT GUIDE OPEN | | | 4 | 4 | 4 | 4 |
| 44 | 303SP28230 | SHEET STACK PAPER | | | 2 | 2 | 2 | 2 |
| 101 | 7BB700308H | +BIND T.T S SCREW 3X8 SR | | | | | | |
| 102 | 7BB607306H | +TP-CUP M SCREW 3X6 R | | | | | | |
| 103 | 7BB007303H | +TP-CUP M SCREW Q43 | | | | | | |
| 104 | 7BB000304H | +BIND M SCREW 3X4 | | | | | | |
| 106 | 7BB000306H | +BIND M SCREW 3X6 | | | | | | |

FIG. 8 Drive Section 1

3SP-4

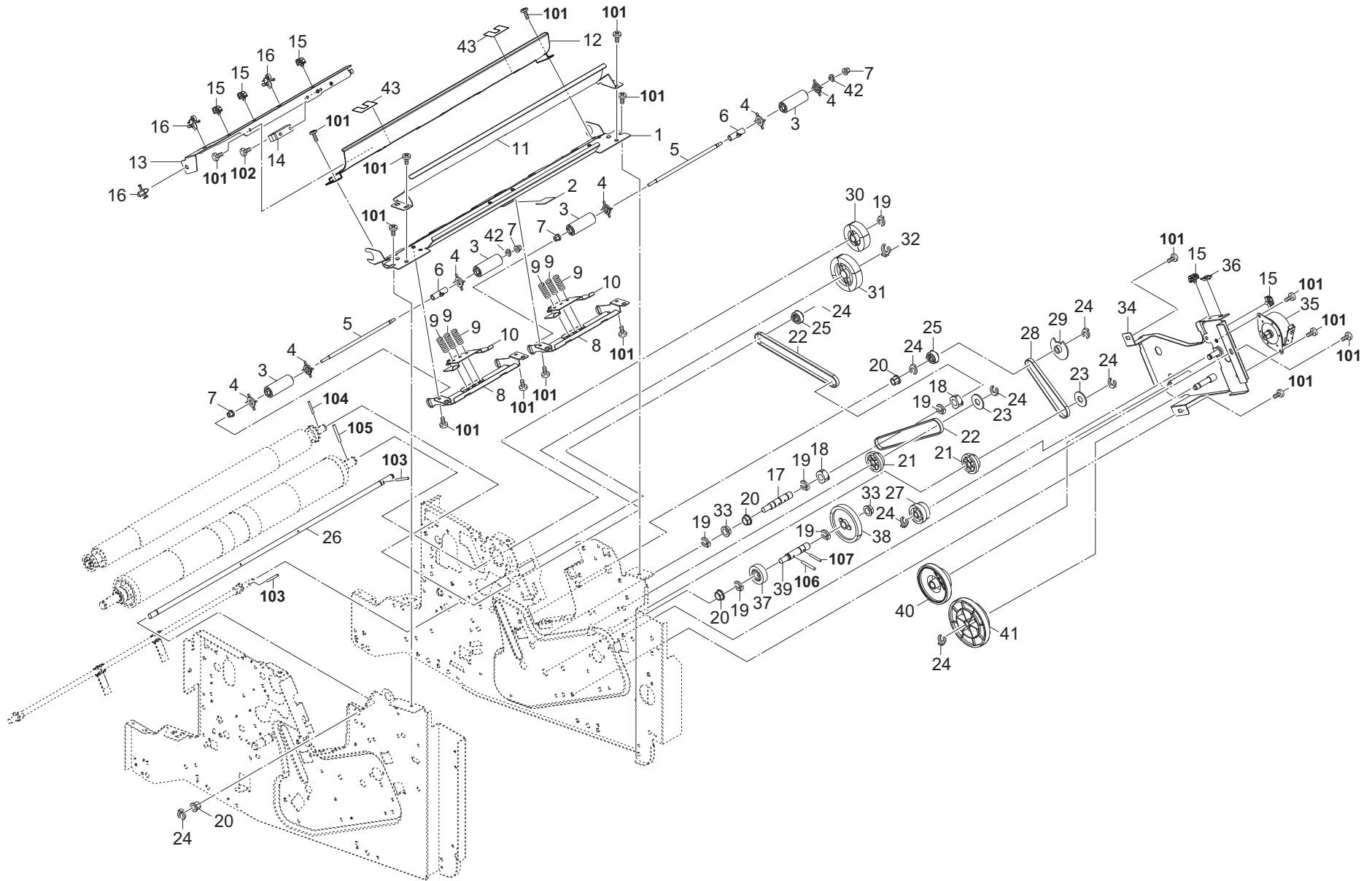


FIG. 8 Drive Section 1

3SP-4

| Ref No. | Part.No. | Description | Notes | Revision | Quantity | | | |
|---------|-----------------|----------------------------|-------|-------------|----------|-----|-----|-----|
| | | | | | 100 | 120 | 230 | 240 |
| 1 | 303SP24060 | GUIDE FEED IN | | | 1 | 1 | 1 | 1 |
| 2 | 303ND24210 | PAD SENSOR | | | 1 | 1 | 1 | 1 |
| 3 | 303SP24010 | PULLEY FEED IN | | | 4 | 4 | 4 | 4 |
| 4 | 303ND24240 | RUBBER FEED IN | | | 6 | 6 | 6 | 6 |
| 5 | 303SP24080 | SHAFT PULLEY FEED IN | | | 2 | 2 | 2 | 2 |
| 6 | 303J124700 | COLLAR FEED IN | | | 2 | 2 | 2 | 2 |
| 7 | 303J124720 | BUSHING FEED IN | | | 4 | 4 | 4 | 4 |
| 8 | 303SP24030 | HOLDER PULLEY FEED IN | | | 2 | 2 | 2 | 2 |
| 9 | 303ND24340 | SPRING FEED IN | | | 6 | 6 | 6 | 6 |
| 10 | 303J124620 | MOUNT PULLEY FEED IN | | | 2 | 2 | 2 | 2 |
| 11 | 303SP24040 | GUIDE FEED LOW | | | 1 | 1 | 1 | 1 |
| 12 | 303SP24050 | GUIDE FEED UP | | | 1 | 1 | 1 | 1 |
| 13 | 303ND24222 | GUIDE WIRE FEED | | | 1 | 1 | 1 | 1 |
| 14 | 303NW94060 | PARTS SENSOR OPT. SP | | Design-chg. | 1 | 1 | 1 | 1 |
| 15 | 7YZM610007++H01 | ACCESS.SADDLE | | | 5 | 5 | 5 | 5 |
| 16 | 7YZM410004++H01 | ACCESS.BAND | | | 3 | 3 | 3 | 3 |
| 17 | 303SP31130 | SHAFT PADDLE DRIVE | | | 1 | 1 | 1 | 1 |
| 18 | 303J131380 | PULLEY 24 | | | 2 | 2 | 2 | 2 |
| 19 | 2BC06910 | STOPPER 6 | | | 6 | 6 | 6 | 6 |
| 20 | 302K324450 | BUSH 6 | | | 4 | 4 | 4 | 4 |
| 21 | 2FB19260 | GEAR Z30/B30 | | | 2 | 2 | 2 | 2 |
| 22 | 303PX31130 | BELT CONVEYING 296 | | | 2 | 2 | 2 | 2 |
| 23 | 302FB09670 | SPACER DU PULLEY | | | 2 | 2 | 2 | 2 |
| 24 | 5MVX111DN003 | RING STOPPER/A-49 FEED A4 | | | 8 | 8 | 8 | 8 |
| 25 | 303PX31140 | PULLEY 24 CONVEYING | | | 2 | 2 | 2 | 2 |
| 26 | 303SP24100 | SHAFT CONVEYING PADDLE A | | | 1 | 1 | 1 | 1 |
| 27 | 302K928110 | GEAR Z40R-Z28S | | | 1 | 1 | 1 | 1 |
| 28 | 303JY36560 | BELT MIDDLE TRAY MOTOR | | | 1 | 1 | 1 | 1 |
| 29 | 303PX36670 | PLATE PULSE PADDLE | | | 1 | 1 | 1 | 1 |
| 30 | 303ND31220 | GEAR Z12 PRESS | | | 1 | 1 | 1 | 1 |
| 31 | 303ND31210 | GEAR Z16 PRESS | | | 1 | 1 | 1 | 1 |
| 32 | 302K921120 | STOPPER 8 | | | 1 | 1 | 1 | 1 |
| 33 | 28107310 | BUSH 8 | | | 2 | 2 | 2 | 2 |
| 34 | 303SP31070 | MOUNT BLADE DRIVE | | | 1 | 1 | 1 | 1 |
| 35 | 302HN44100 | MOTOR REVERSE | | | 1 | 1 | 1 | 1 |
| 36 | 7YZM210006++H01 | ACCESS.EDGING | | | 1 | 1 | 1 | 1 |
| 37 | 33414050 | GEAR 22,SLEEVE | | | 1 | 1 | 1 | 1 |
| 38 | 3H316050 | GEAR 46 DRUM DRIVE | | | 1 | 1 | 1 | 1 |
| 39 | 303ND31160 | SHAFT BLADE DRIVE | | | 1 | 1 | 1 | 1 |
| 40 | 303ND31120 | GEAR Z28 Z62 | | | 1 | 1 | 1 | 1 |
| 41 | 303ND31150 | GEAR Z53Z120R | | | 1 | 1 | 1 | 1 |
| 42 | 302LF12410 | STOPPER 3 | | | 2 | 2 | 2 | 2 |
| 43 | 303SP24160 | FILM GUIDE FEED IN | | | 2 | 2 | 2 | 2 |
| 101 | 7BB700308H | +BIND T.T S SCREW 3X8 SR | | | | | | |
| 102 | 7BB600314H | +BIND M SCREW 3X14 R | | | | | | |
| 103 | 7BP512010B0CH01 | PARALLEL PIN 2.0X10 | | | | | | |
| 104 | 7BP512016B0CH01 | PARALLEL PIN 2.0X16 | | | | | | |
| 105 | 7BP513022B0CH01 | PARALLEL PIN 3.0X22 | | | | | | |
| 106 | 5MBP2012WXSP | SPRING PIN / M2 X 12 S-BLK | | | | | | |
| 107 | 7BP512514B0CH01 | PARALLEL PIN 2.5X14 | | | | | | |

FIG. 9 Drive Section 2

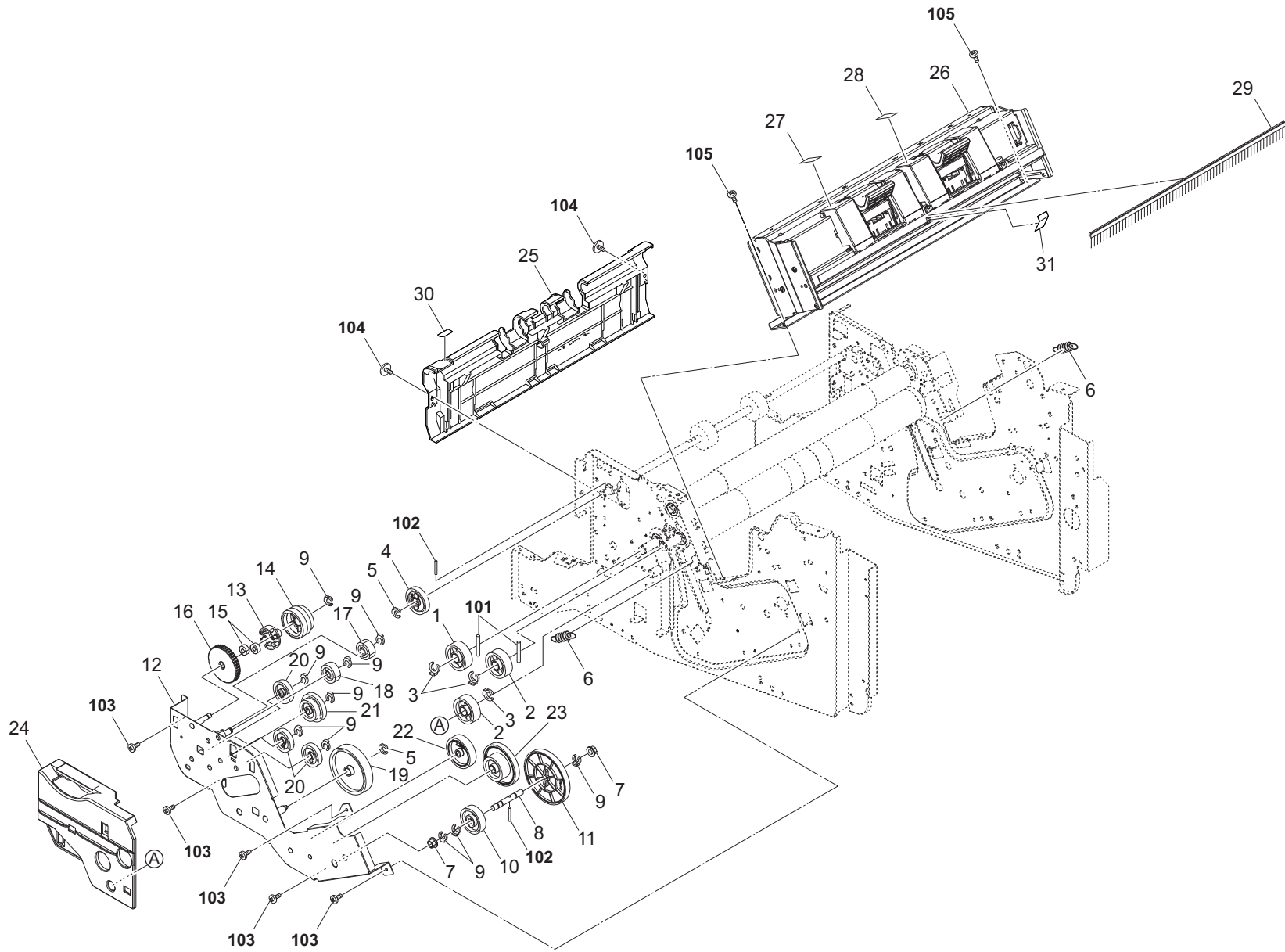


FIG. 9 Drive Section 2

3SP

| Ref No. | Part.No. | Description | Notes | Revision | Quantity | | | |
|---------|-----------------|------------------------------------|-------|----------|----------|-----|-----|-----|
| | | | | | 100 | 120 | 230 | 240 |
| 1 | 303ND31350 | GEAR Z30 PRESS B | | | 1 | 1 | 1 | 1 |
| 2 | 303ND31200 | GEAR Z30 PRESS | | | 2 | 2 | 2 | 2 |
| 3 | 302K921120 | STOPPER 8 | | | 3 | 3 | 3 | 3 |
| 4 | 303ND31260 | GEAR Z30 EXIT | | | 1 | 1 | 1 | 1 |
| 5 | 2BC06910 | STOPPER 6 | | | 2 | 2 | 2 | 2 |
| 6 | 303LV28051 | SPRING PRESSURE | | | 2 | 2 | 2 | 2 |
| 7 | 302K324450 | BUSH 6 | | | 2 | 2 | 2 | 2 |
| 8 | 303ND31270 | SHAFT PRESS DRIVE | | | 1 | 1 | 1 | 1 |
| 9 | 5MVX111DN003 | RING STOPPER/A-49 FEED A4 | | | 10 | 10 | 10 | 10 |
| 10 | 303ND31170 | GEAR Z38 PRESS | | | 1 | 1 | 1 | 1 |
| 11 | 303ND31130 | GEAR Z126R PRESS | | | 1 | 1 | 1 | 1 |
| 12 | 303SP31080 | PLATE PRESS DRIVE | | | 1 | 1 | 1 | 1 |
| 13 | 303ND31320 | PLATE HANDLE DRIVE | | | 1 | 1 | 1 | 1 |
| 14 | 303ND31300 | GEAR Z28S Z40R | | | 1 | 1 | 1 | 1 |
| 15 | 303ND31310 | GEAR Z12S | | | 2 | 2 | 2 | 2 |
| 16 | 303ND31330 | HANDLE PRESS DRIVE | | | 1 | 1 | 1 | 1 |
| 17 | 302FZ22110 | GEAR TC Z24H | | | 1 | 1 | 1 | 1 |
| 18 | 302NG14450 | GEAR Z25R RAIL | | | 1 | 1 | 1 | 1 |
| 19 | 303ND31190 | GEAR Z56 PRESS | | | 1 | 1 | 1 | 1 |
| 20 | 302K031280 | GEAR FUSER Z25 | | | 3 | 3 | 3 | 3 |
| 21 | 303ND31230 | GEAR Z24 Z32 | | | 1 | 1 | 1 | 1 |
| 22 | 303ND31180 | GEAR Z36 PRESS | | | 1 | 1 | 1 | 1 |
| 23 | 303ND31120 | GEAR Z28 Z62 | | | 1 | 1 | 1 | 1 |
| 24 | 303SP31090 | COVER PRESS DRIVE | | | 1 | 1 | 1 | 1 |
| 25 | 303SP04050 | COVER LEFT | | | 1 | 1 | 1 | 1 |
| 26 | 303J144011 | STAPLER EH280 | | | 1 | 1 | 1 | 1 |
| 27 | 3B805070 | LABEL B | | | 1 | 1 | 1 | 1 |
| 28 | 3B805080 | LABEL C | | | 1 | 1 | 1 | 1 |
| 29 | 303JY37400 | DISCHARGER GUIDE UP | | | 1 | 1 | 1 | 1 |
| 30 | 303ND34050 | LABEL UP | | | 1 | 1 | 1 | 1 |
| 31 | 303SP24170 | FILM STAPLER | | | 1 | 1 | 1 | 1 |
| 101 | 7BP513022B0CH01 | PARALLEL PIN 3.0X22 | | | | | | |
| 102 | 7BP512016B0CH01 | PARALLEL PIN 2.0X16 | | | | | | |
| 103 | 7BB700308H | +BIND T.T S SCREW 3X8 SR | | | | | | |
| 104 | 7BB782308H | +TP-FLAT T.T S SCREW 3X8 SR(BLACK) | | | | | | |
| 105 | 7BB700408H | +BIND T.T S SCREW 4X8 SR | | | | | | |

FIG. 10 Accessories 1

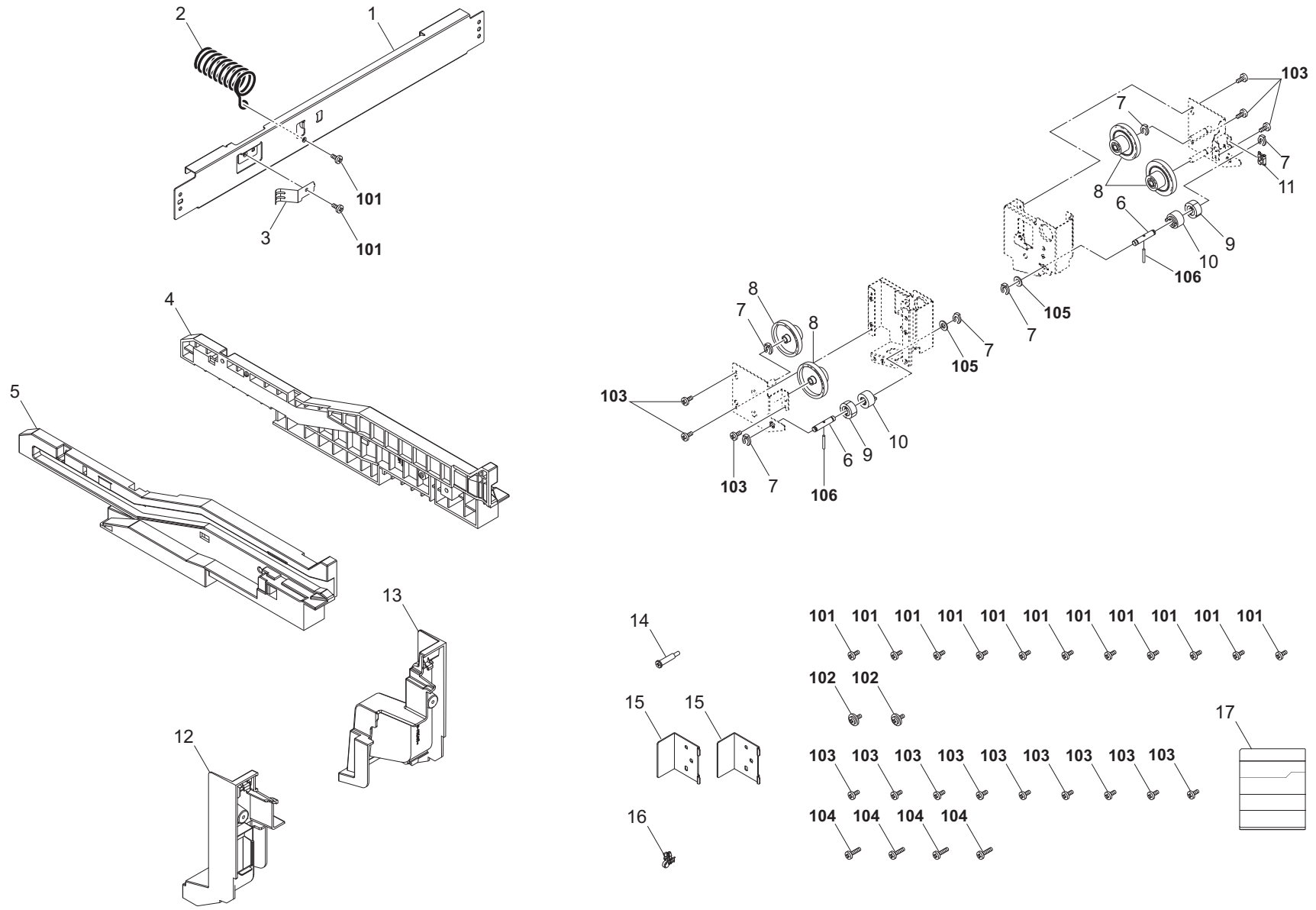


FIG. 10 Accessories 1

3SP

| Ref No. | Part.No. | Description | Notes | Revision | Quantity | | | |
|---------|-----------------|-------------------------------------|-------|----------|----------|-----|-----|-----|
| | | | | | 100 | 120 | 230 | 240 |
| 1 | 303SP02160 | RETAINER PLATE | | | 1 | 1 | 1 | 1 |
| 2 | 303ND02330 | SPRING UNIT SET | | | 1 | 1 | 1 | 1 |
| 3 | 302FB09810 | GROUND PLATE DU REAR | | | 1 | 1 | 1 | 1 |
| 4 | 303ND02080 | RAIL FRONT | | | 1 | 1 | 1 | 1 |
| 5 | 303ND02090 | RAIL REAR | | | 1 | 1 | 1 | 1 |
| 6 | 303SP28650 | SHAFT RELEASE | | | 2 | 2 | 2 | 2 |
| 7 | 5MVX111DN003 | RING STOPPER/A-49 FEED A4 | | | 6 | 6 | 6 | 6 |
| 8 | 303SP28660 | GEAR Z22S Z53S | | | 4 | 4 | 4 | 4 |
| 9 | 303M431040 | GEAR Z22 ONEWAY | | | 2 | 2 | 2 | 2 |
| 10 | 303SP94100 | PARTS TORQUE LIMITER 500 SP | | | 2 | 2 | 2 | 2 |
| 11 | 7YZM210006++H01 | ACCESS.EDGING | | | 1 | 1 | 1 | 1 |
| 12 | 303SP04030 | COVER SADDLE F | | | 1 | 1 | 1 | 1 |
| 13 | 303SP04040 | COVER SADDLE R | | | 1 | 1 | 1 | 1 |
| 14 | 3CY02240 | REAR PIN,HOOK | | | 1 | 1 | 1 | 1 |
| 15 | 303ND02310 | LOCK MAIN TRAY | | | 2 | 2 | 2 | 2 |
| 16 | 7YZM410004++H01 | ACCESS.BAND | | | 1 | 1 | 1 | 1 |
| 17 | 303SP34010 | LABEL OPERATION | | | 1 | 1 | 1 | 1 |
| 101 | 7BB700408H | +BIND T.T S SCREW 4X8 SR | | | | | | |
| 102 | 7BB782308H | +TP-FLAT T.T S SCREW 3X8 SR(BLACK) | | | | | | |
| 103 | 7BB700308H | +BIND T.T S SCREW 3X8 SR | | | | | | |
| 104 | 7BB700412H | +BIND T.T S SCREW 4X12 SR | | | | | | |
| 105 | C2806120 | POLYESTER SLIDER WASHER 6.2X12X0.5T | | | | | | |
| 106 | 7BP512008B0CH01 | PARALLEL PIN 2.0X8 | | | | | | |

FIG. 11 Accessories 2 (Bridge)

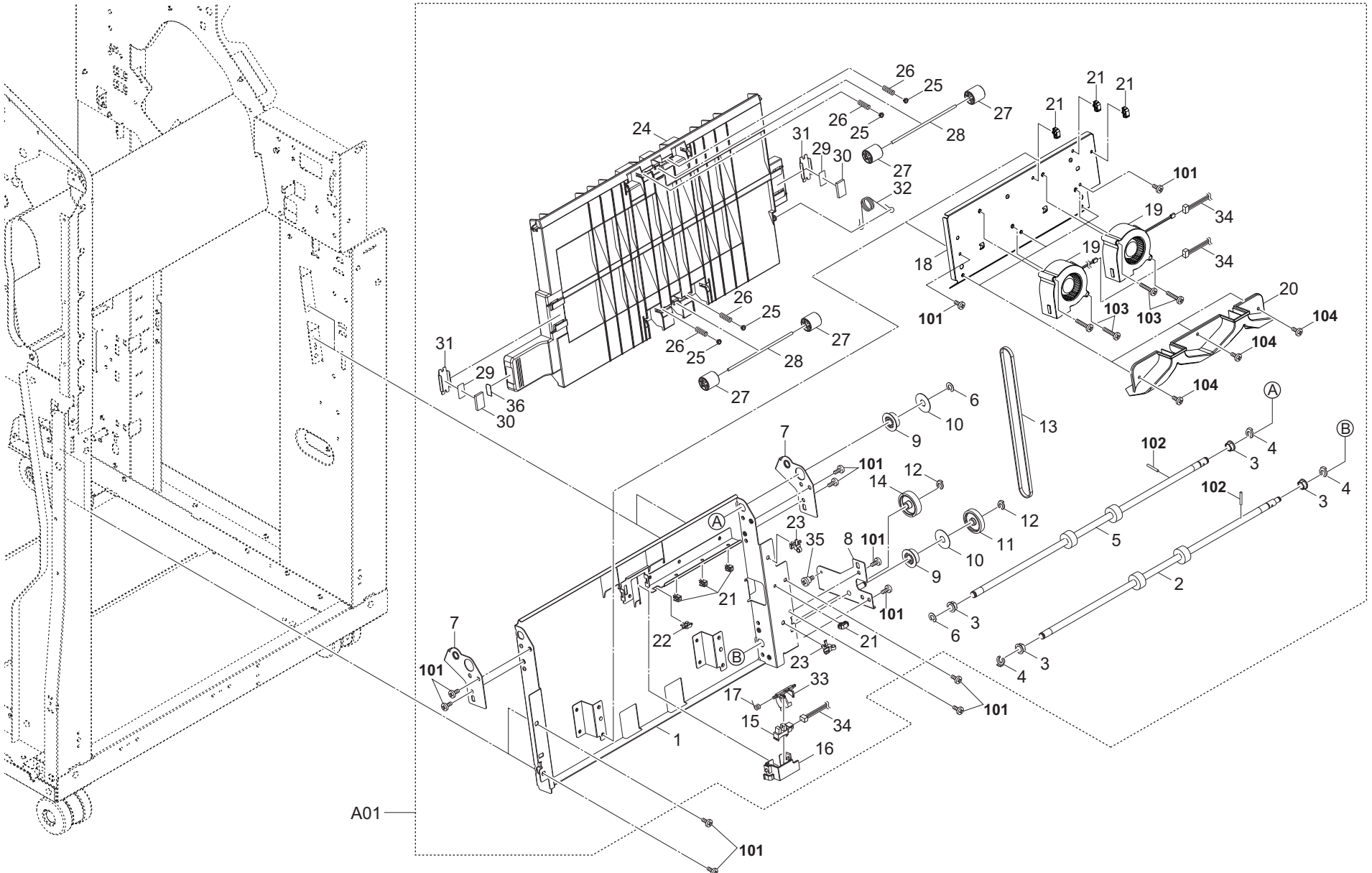


FIG. 11 Accessories 2 (Bridge)

3SP

| Ref No. | Part.No. | Description | Notes | Revision | Quantity | | | |
|---------|------------------|-------------------------------|-------|----------|----------|-----|-----|-----|
| | | | | | 100 | 120 | 230 | 240 |
| A01 | 303SP93020 | PARTS BRIDGE ASSY (SP) | | | 1 | 1 | 1 | 1 |
| 1 | •303SP37020 | GUIDE BRIDGE RIGHT | | | 1 | 1 | 1 | 1 |
| 2 | •303SP94090 | PARTS ROLLER BRIDGE LOW (SP) | | | 1 | 1 | 1 | 1 |
| 3 | •28107310 | BUSH 8 | | | 4 | 4 | 4 | 4 |
| 4 | •2BC06910 | STOPPER 6 | | | 3 | 3 | 3 | 3 |
| 5 | •303SP94080 | PARTS ROLLER BRIDGE UP (SP) | | | 1 | 1 | 1 | 1 |
| 6 | •302K921420 | CUT-WASHER 6 | | | 2 | 2 | 2 | 2 |
| 7 | •303SP37060 | PLATE GUIDE FULCRUM | | | 2 | 2 | 2 | 2 |
| 8 | •303SP37050 | PLATE BRIDGE DRIVE | | | 1 | 1 | 1 | 1 |
| 9 | •3AP02040 | PULLEY 30,DUPLEX | | | 2 | 2 | 2 | 2 |
| 10 | •303JY38240 | SPACER 25 | | | 2 | 2 | 2 | 2 |
| 11 | •303NF31050 | GEAR Z35L | | | 1 | 1 | 1 | 1 |
| 12 | •5MVX111DN003 | RING STOPPER/A-49 FEED A4 | | | 2 | 2 | 2 | 2 |
| 13 | •2FB22730 | BELT EJECT DRIVE | | | 1 | 1 | 1 | 1 |
| 14 | •303NF31160 | GEAR Z36R | | | 1 | 1 | 1 | 1 |
| 15 | •303M894260 | PARTS SENSOR OPT SP | | | 1 | 1 | 1 | 1 |
| 16 | •303ND37100 | HOLDER FEED PI | | | 1 | 1 | 1 | 1 |
| 17 | •302H729120 | SPRING ACT DU | | | 1 | 1 | 1 | 1 |
| 18 | •303SP02140 | MOUNT CONVEYING FAN | | | 1 | 1 | 1 | 1 |
| 19 | •302LC94380 | PARTS FAN COOLING LSU 60 SP | | | 2 | 2 | 2 | 2 |
| 20 | •303SP02150 | DUCT CONVEYING FAN | | | 1 | 1 | 1 | 1 |
| 21 | •7YZM610007++H01 | ACCESS.SADDLE | | | 7 | 7 | 7 | 7 |
| 22 | •7YZM210006++H01 | ACCESS.EDGING | | | 1 | 1 | 1 | 1 |
| 23 | •7YZM410004++H01 | ACCESS.BAND | | | 2 | 2 | 2 | 2 |
| 24 | •303SP37010 | GUIDE BRIDGE LEFT | | | 1 | 1 | 1 | 1 |
| 25 | •2FM04150 | CAP SPRING/B-11 ENCLOSURE A4 | | | 4 | 4 | 4 | 4 |
| 26 | •302H728100 | SPRING EXIT PULLEY | | | 4 | 4 | 4 | 4 |
| 27 | •302H722760 | PULLEY MIDDLE A | | | 4 | 4 | 4 | 4 |
| 28 | •302K324460 | SHAFT FEED | | | 2 | 2 | 2 | 2 |
| 29 | •302GR04380 | SEAL MAGNET | | | 2 | 2 | 2 | 2 |
| 30 | •302GR04370 | MAGNET CLIP DISH | | | 2 | 2 | 2 | 2 |
| 31 | •303NB24210 | HOLDER MAGNET | | | 2 | 2 | 2 | 2 |
| 32 | •303SP37070 | SPRING BRIDGE GUIDE | | | 1 | 1 | 1 | 1 |
| 33 | •303ND37090 | ACTUATOR PI | | | 1 | 1 | 1 | 1 |
| 34 | •303SP46150 | CONN.CORD ASSY TRANSPORT UNIT | | | 1 | 1 | 1 | 1 |
| 35 | •302GR25241 | PIN GUIDE CHUTE | | | 1 | 1 | 1 | 1 |
| 36 | •303SP34020 | LABEL D8 | | | 1 | 1 | 1 | 1 |
| 101 | 7BB700408H | +BIND T.T S SCREW 4X8 SR | | | | | | |
| 102 | 5MBP2012WXSP | SPRING PIN / M2 X 12 S-BLK | | | | | | |
| 103 | 7BB700430H | +BIND T.T S SCREW 4X30 SR | | | | | | |
| 104 | 7BB700308H | +BIND T.T S SCREW 3X8 SR | | | | | | |

FIG. 12 Accessories 3 (Exit Tray)

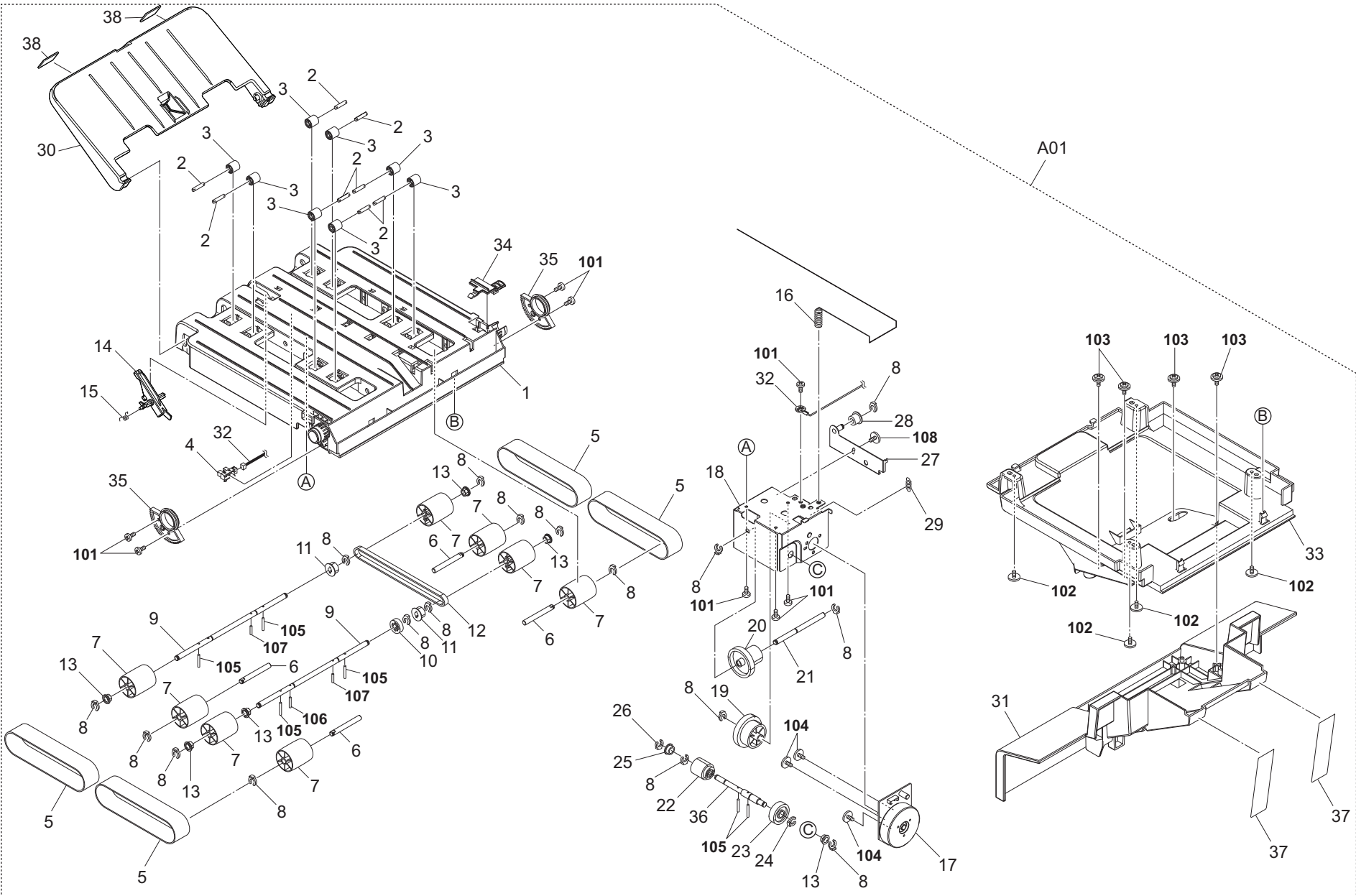
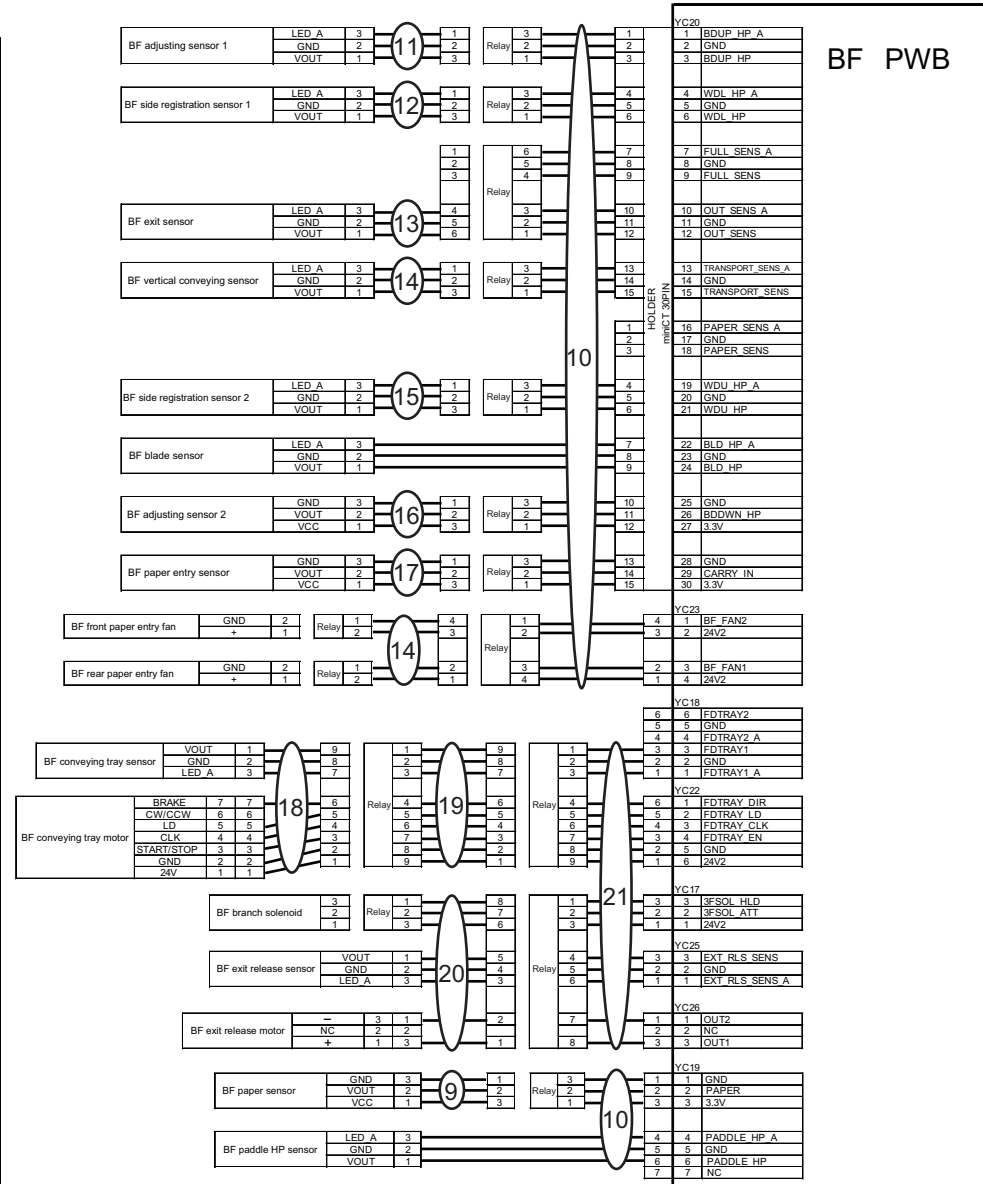
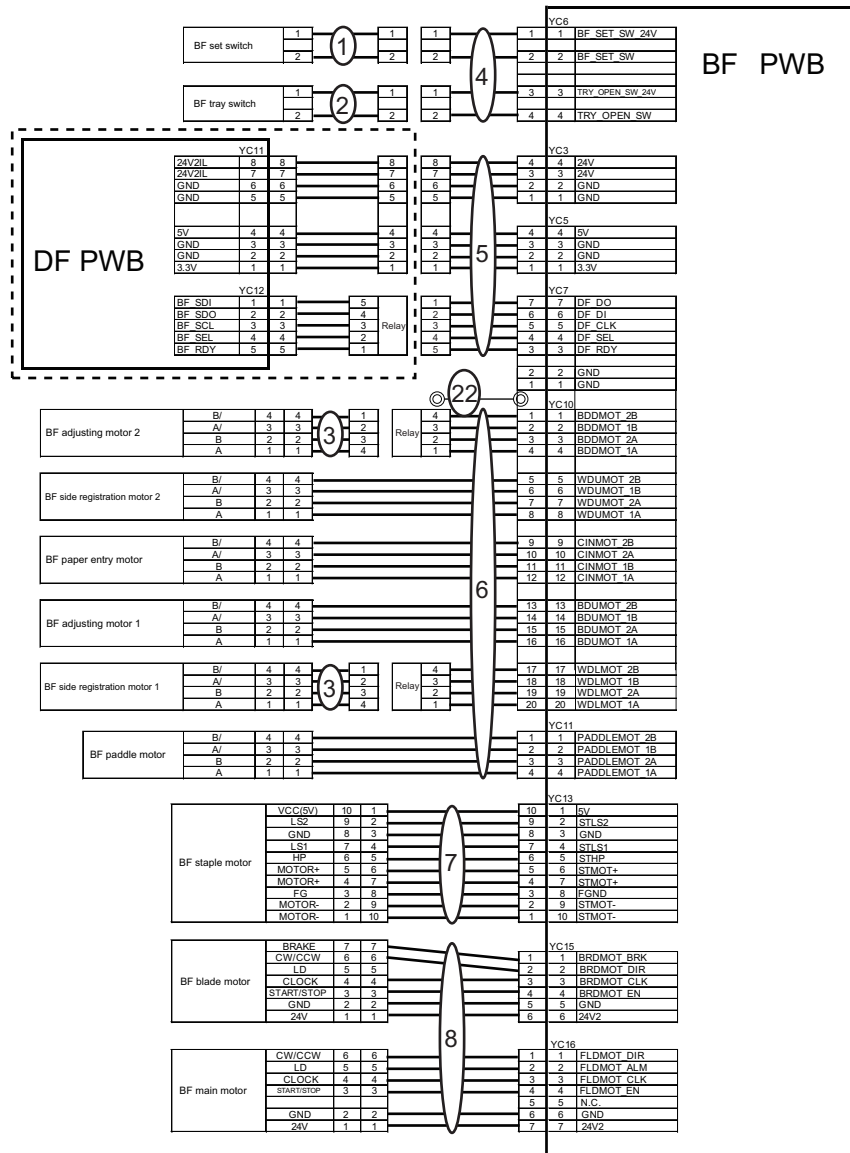
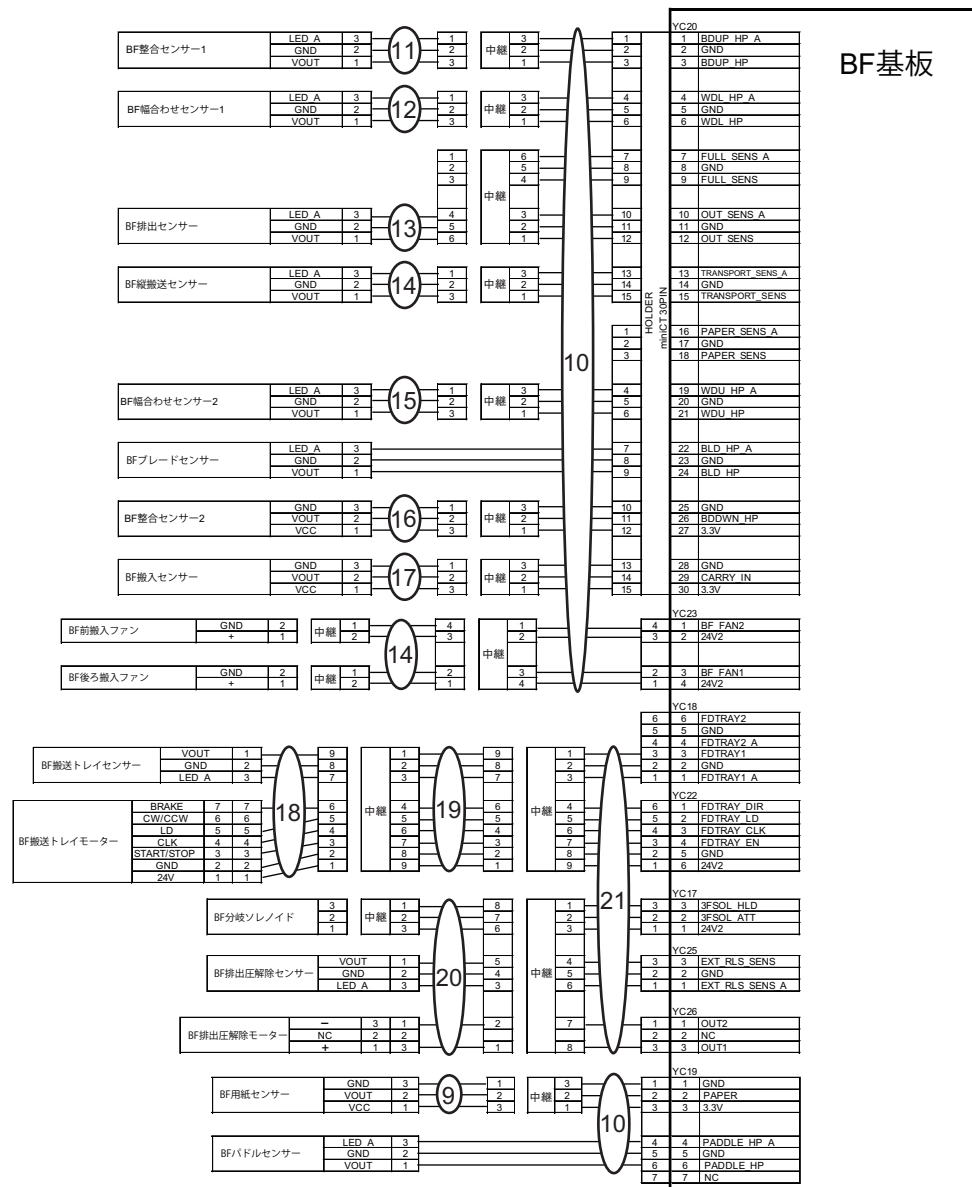
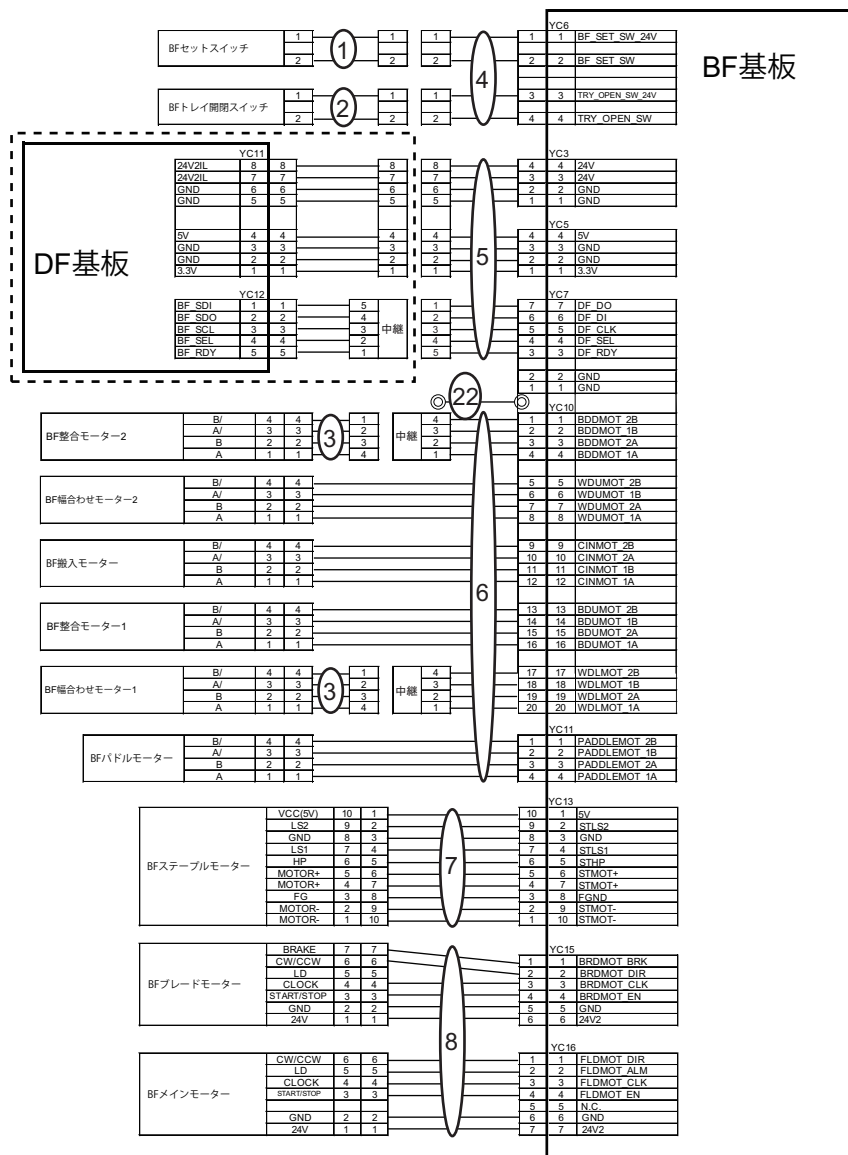


FIG. 12 Accessories 3 (Exit Tray)

3SP

| Ref No. | Part.No. | Description | Notes | Revision | Quantity | | | |
|---------|-----------------|-------------------------------------|-------|----------|----------|-----|-----|-----|
| | | | | | 100 | 120 | 230 | 240 |
| A01 | 303SP93010 | PARTS EXIT CONVEYING TRAY ASSY (SP) | | | 1 | 1 | 1 | 1 |
| 1 | •303SP04010 | TRAY EJECT BASE | | | 1 | 1 | 1 | 1 |
| 2 | •303M824200 | SHAFT PULLEY | | | 8 | 8 | 8 | 8 |
| 3 | •303M824210 | PULLEY CONVEYING BK | | | 8 | 8 | 8 | 8 |
| 4 | •302P794010 | PARTS SENSOR OPT. SP | | | 1 | 1 | 1 | 1 |
| 5 | •303SP28550 | BELT EJECT CONVEYING | | | 4 | 4 | 4 | 4 |
| 6 | •303SP28580 | SHAFT TRAY PULLEY B | | | 4 | 4 | 4 | 4 |
| 7 | •303SP28560 | PULLEY CONVEYING TRAY | | | 8 | 8 | 8 | 8 |
| 8 | •5MVX111DN003 | RING STOPPER/A-49 FEED A4 | | | 17 | 17 | 17 | 17 |
| 9 | •303SP28570 | SHAFT TRAY PULLEY A | | | 2 | 2 | 2 | 2 |
| 10 | •3H622320 | GEAR 20 LIFT | | | 1 | 1 | 1 | 1 |
| 11 | •303SP28540 | PULLEY TRAY BELT P15 | | | 2 | 2 | 2 | 2 |
| 12 | •303SP28610 | BELT DRIVE TRAY | | | 1 | 1 | 1 | 1 |
| 13 | •302K324450 | BUSH 6 | | | 6 | 6 | 6 | 6 |
| 14 | •303SP28620 | ACTUATOR CONVEYING TRAY | | | 1 | 1 | 1 | 1 |
| 15 | •303ND24310 | SPRING ACT | | | 1 | 1 | 1 | 1 |
| 16 | •303SP28640 | SPRING EARTH SHAFT | | | 1 | 1 | 1 | 1 |
| 17 | •303NB94053 | PARTS MOTOR-BL BRAKE SP | | | 1 | 1 | 1 | 1 |
| 18 | •303SP28510 | MOUNT TRAY DRIVE | | | 1 | 1 | 1 | 1 |
| 19 | •303SP28520 | GEAR TRAY Z60R Z50S | | | 1 | 1 | 1 | 1 |
| 20 | •303SP28530 | GEAR TRAY Z20R Z47S | | | 1 | 1 | 1 | 1 |
| 21 | •303SP28600 | SHAFT TRAY DRIVE | | | 1 | 1 | 1 | 1 |
| 22 | •3AK20130 | GEAR,WORM MAIN TRAY | | | 1 | 1 | 1 | 1 |
| 23 | •302FB21320 | GEAR 32 | | | 1 | 1 | 1 | 1 |
| 24 | •2BC06910 | STOPPER 6 | | | 1 | 1 | 1 | 1 |
| 25 | •74808080 | BEARING,686ZZNR | | | 1 | 1 | 1 | 1 |
| 26 | •302FZ25740 | STOPPER 4 | | | 1 | 1 | 1 | 1 |
| 27 | •303SP28630 | PLATE TENSION BELT | | | 1 | 1 | 1 | 1 |
| 28 | •28801190 | PULLEY,TIMING BELT | | | 1 | 1 | 1 | 1 |
| 29 | •303P702110 | SPRING HOOK R | | | 1 | 1 | 1 | 1 |
| 30 | •303SP04100 | TRAY EJECT STOPPER | | | 1 | 1 | 1 | 1 |
| 31 | •303SP04080 | COVER TRAY LOW | | | 1 | 1 | 1 | 1 |
| 32 | •303SP46210 | CONN.CORD ASSY CONVEYING TRAY | | | 1 | 1 | 1 | 1 |
| 33 | •303SP04090 | COVER TRAY UPPER | | | 1 | 1 | 1 | 1 |
| 34 | •303SP04070 | LID TRAY BASE | | | 1 | 1 | 1 | 1 |
| 35 | •303SP28670 | RACK TRAY RELEASE | | | 2 | 2 | 2 | 2 |
| 36 | •303SP28590 | SHAFT TRAY DRIVE WORM | | | 1 | 1 | 1 | 1 |
| 37 | •303SP24660 | FILM CONVEYING LIFT | | | 2 | 2 | 2 | 2 |
| 38 | •303JX04150 | FELT PF COVER | | | 2 | 2 | 2 | 2 |
| 101 | 7BB200308H | +BIND T.T P SCREW 3X8 | | | | | | |
| 102 | 7BB282308H | +TP-FLAT T.T P SCREW 3X8(BLACK) | | | | | | |
| 103 | 7BB202308H | +TP-FLAT T.T P SCREW 3X8 | | | | | | |
| 104 | 7BB007304H | +TP-CUP M SCREW 3X4 | | | | | | |
| 105 | 7BP512012B0CH01 | PARALLEL PIN 2.0X12 | | | | | | |
| 106 | 7BP512010B0CH01 | PARALLEL PIN 2.0X10 | | | | | | |
| 107 | 7BP512008B0CH01 | PARALLEL PIN 2.0X8 | | | | | | |
| 108 | 7BB782308H | 3X8TPF(S)SR BLACK | | | | | | |





DF-7110

[CONFIDENTIAL]

FOR AUTHORIZED KYOCERA ENGINEERS ONLY. DO NOT DISTRIBUTE TO NON-AUTHORIZED PARTIES.

Items listed in the revision columns are defined as follows.

| Item | Description |
|---------------|---|
| Add | Add a new part |
| Del | Delete a part |
| Design-chg. | A design changed part (Parts number version up) |
| Part No.-chg. | A part number is changed to other one. |
| Quantity-chg. | Change Quantity of parts to use |
| Others | Other changes |
| Correction | Correction |

Revision history

| Rev. | Date | Remarks |
|------|----------------|-------------------------|
| 6 | October 2018 | Design-chg & Correction |
| 7 | December 2018 | Design change |
| 8 | June 2019 | Other changes |
| 9 | September 2019 | Design change |
| A | December 2019 | Correction |
| B | March 2020 | Other changes |
| C | October 2020 | Design change |

Symbols in the parts list

- Parts without a Ref.No. in the illustration indicate they are not supplied.
- Parts with "*" are component parts or sub-assemblies of the assembly appearing immediately above them.
- Parts with "**" are component parts or sub-assembly with "*" appearing immediately above them.

[CONFIDENTIAL]

京セラドキュメントソリューションズ株式会社の許可なく、本資料を配布することを禁じます。

Revision 欄記載項目の内容は以下の通りです。

| 記載項目 | 内容 |
|---------------|--------------|
| Add | 新規部品の追加 |
| Del | 部品の削除 |
| Design-chg. | 部品の設変(版数アップ) |
| Part No.-chg. | 部品番号の変更 |
| Quantity-chg. | 部品の個数変更 |
| Others | その他の変更 |
| Correction | 誤記訂正 |

改版履歴

| Rev. | 改訂日 | 備考 |
|------|----------|-------------|
| 6 | 2018年10月 | 設変対応および誤記訂正 |
| 7 | 2018年12月 | 設変対応 |
| 8 | 2019年6月 | その他の変更 |
| 9 | 2019年9月 | 設変対応 |
| A | 2019年12月 | 誤記訂正 |
| B | 2020年3月 | その他の変更 |
| C | 2020年10月 | 設変対応 |

記号の見方

- イラスト中で Ref 番号がない部品は供給できません。
- 部品番号欄の・印は、組立部品の単品部品及び準組立部品を表わします。
- 部品番号欄の**印は、準組立部品の単品部品を表わします。

— CONTENTS —

FIG. 1 Covers 2
FIG. 2 Frames 5
FIG. 3 Paper Feed Section 1 7
FIG. 4 Paper Feed Section 2 10
FIG. 5 Paper Feed Section 3 13
FIG. 6 Main Exit Section 15
FIG. 7 Drive Section 17
FIG. 8 Electrical Components 19
FIG. 9 Wire Section..... 21
FIG. 10 Accessories..... 23

FIG. 1 Covers

3RW

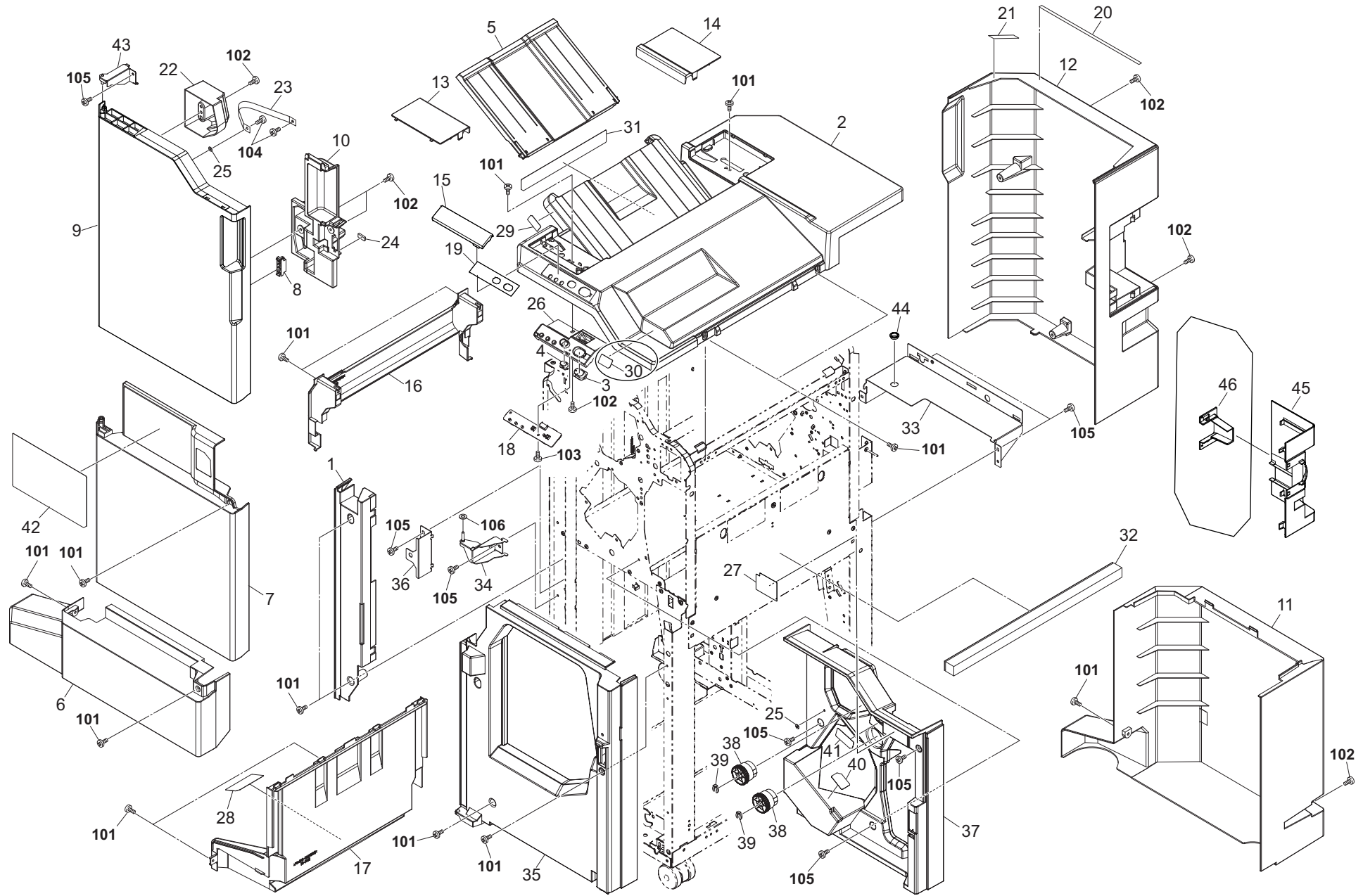


FIG. 1 Covers

3RW

| Ref No. | Part.No. | Description | Notes | Revision | Quantity | | | |
|---------|-----------------|------------------------------|-------|----------|----------|-----|-----|-----|
| | | | | | 100 | 120 | 230 | 240 |
| 1 | 303NB04050 | COVER FRONT LEFT UPPER | | | 1 | 1 | 1 | 1 |
| 2 | 303RW04010 | COVER TOP | | | 1 | 1 | 1 | 1 |
| 3 | 303PG04090 | KEY STAPLER | | | 1 | 1 | 1 | 1 |
| 4 | 303NB04240 | KEY SELECT | | | 1 | 1 | 1 | 1 |
| 5 | 303RW04060 | TRAY B SLIDE | | | 1 | 1 | 1 | 1 |
| 6 | 303RW04140 | COVER FRONT LOWER | | | 1 | 1 | 1 | 1 |
| 7 | 303RW04130 | COVER FRONT MIDDLE | | | 1 | 1 | 1 | 1 |
| 8 | 302H004660 | MAGNET CATCH | | | 1 | 1 | 1 | 1 |
| 9 | 303RW04110 | COVER FRONT UPPER | | | 1 | 1 | 1 | 1 |
| 10 | 303NB04171 | COVER HANDLE | | | 1 | 1 | 1 | 1 |
| 11 | 303NB04091 | COVER REAR LOWER | | | 1 | 1 | 1 | 1 |
| 12 | 303NB04081 | COVER REAR UPPER | | | 1 | 1 | 1 | 1 |
| 13 | 303RW04070 | LID TOP FRONT | | | 1 | 1 | 1 | 1 |
| 14 | 303RW04080 | LID TOP REAR | | | 1 | 1 | 1 | 1 |
| 15 | 303RW04020 | COVER OPERATION | | | 1 | 1 | 1 | 1 |
| 16 | 303NB04142 | COVER MAIN EXIT | | | 1 | 1 | 1 | 1 |
| 17 | 303NB04152 | COVER LEFT LOWER | | | 1 | 1 | 1 | 1 |
| 18 | 303NB94030 | PARTS PWB OPERATION ASSY SP | | | 1 | 1 | 1 | 1 |
| 19 | 303RW04120 | SHEET OPERATION | | | 1 | 1 | 1 | 1 |
| 20 | 302H715300 | FILM MAG COVER C | | | 1 | 1 | 1 | 1 |
| 21 | 302HN02930 | SHEET HOUSING LEFT | | | 1 | 1 | 1 | 1 |
| 22 | 303NB04320 | STOPPER FRONT COVER | | | 1 | 1 | 1 | 1 |
| 23 | 302BL04681 | STRAP COVER | | | 1 | 1 | 1 | 1 |
| 24 | 63213320 | CUSHION,ORIGINAL COLLECTION | | | 1 | 1 | 1 | 1 |
| 25 | 302LW04260 | SPACER USB | | | 2 | 2 | 2 | 2 |
| 26 | 303RW04100 | MOUNT OPERATION | | | 1 | 1 | 1 | 1 |
| 27 | 303NB34250 | LABEL D1 | | | 1 | 1 | 1 | 1 |
| 28 | 303NB34220 | LABEL CAUTION MAIN TRAY | | | 1 | 1 | 1 | 1 |
| 29 | 303RW34010 | LABEL B | | | 1 | 1 | 1 | 1 |
| 30 | 303RW34020 | LABEL C | | | 1 | 1 | 1 | 1 |
| 31 | 303RW34030 | LABEL MANUAL STAPLER | | | 1 | 1 | 1 | 1 |
| 32 | 303NB02310 | SPONGE JOINT | | | 1 | 1 | 1 | 1 |
| 33 | 303NB04310 | MOUNT REAR COVER | | | 1 | 1 | 1 | 1 |
| 34 | 303NB04260 | FULCRUM-PLATE COVER MIDDLE | | | 1 | 1 | 1 | 1 |
| 35 | 303NB04071 | COVER INNER LOWER | | | 1 | 1 | 1 | 1 |
| 36 | 303NB04330 | REINFORCEMENT FULCRUM MIDDLE | | | 1 | 1 | 1 | 1 |
| 37 | 303NB04065 | COVER INNER UPPER | | | 1 | 1 | 1 | 1 |
| 38 | 303NB04200 | HANDLE JAM REMOVENT | | | 2 | 2 | 2 | 2 |
| 39 | 2BC06910 | STOPPER 6 | | | 2 | 2 | 2 | 2 |
| 40 | 303NB34240 | LABEL A STAPLER | | | 1 | 1 | 1 | 1 |
| 41 | 303NB34210 | LABEL D3 D5 | | | 1 | 1 | 1 | 1 |
| 42 | 303NB34200 | LABEL OPERATION | | | 1 | 1 | 1 | 1 |
| 43 | 303NB04250 | FULCRUM-PLATE COVER UPPER | | | 1 | 1 | 1 | 1 |
| 44 | 7YZM110001++H01 | ACCESS.BUSHING | | | 1 | 1 | 1 | 1 |
| 45 | 303NC04063 | COVER LID REAR | | | 1 | 1 | 1 | 1 |
| 46 | 303NC04190 | COVER LID REAR S | | | 1 | 1 | 1 | 1 |

FIG. 2 Frames

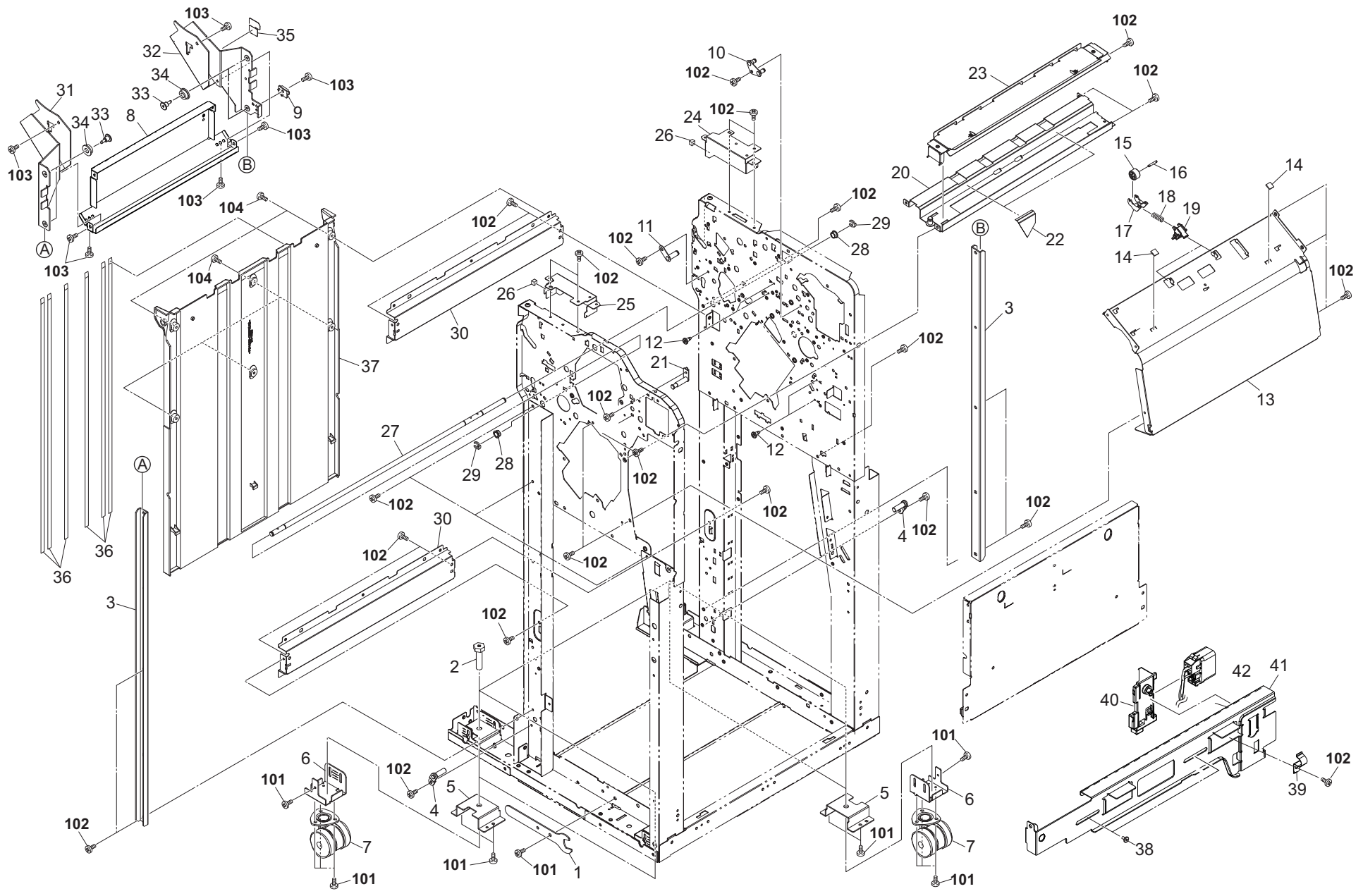


FIG. 2 Frames

3RW

| Ref No. | Part.No. | Description | Notes | Revision | Quantity | | | |
|---------|------------|-------------------------------------|-------|----------|----------|-----|-----|-----|
| | | | | | 100 | 120 | 230 | 240 |
| 1 | 303LT03130 | SPANNER | | | 1 | 1 | 1 | 1 |
| 2 | 303LT03140 | BOLT M10L40 | | | 4 | 4 | 4 | 4 |
| 3 | 303NB37180 | RAIL MAIN TRAY | | | 2 | 2 | 2 | 2 |
| 4 | 303ND02360 | PIN HOOK BOOKLET | | | 2 | 2 | 2 | 2 |
| 5 | 303NB02220 | PLATE HOLDER CASTER | | | 4 | 4 | 4 | 4 |
| 6 | 303NB02211 | PLATE CASTER | | | 4 | 4 | 4 | 4 |
| 7 | 302N202011 | CASTER 100 CN | | | 4 | 4 | 4 | 4 |
| 8 | 303NB37110 | FRAME MAIN TRAY CENTER | | | 1 | 1 | 1 | 1 |
| 9 | 303NB37090 | LEVER SENSOR | | | 1 | 1 | 1 | 1 |
| 10 | 303NB31030 | MOUNT FEED IDLE | | | 1 | 1 | 1 | 1 |
| 11 | 303NB31110 | PIN EJECT DRIVE | | | 1 | 1 | 1 | 1 |
| 12 | 302GR25241 | PIN GUIDE CHUTE | | | 4 | 4 | 4 | 4 |
| 13 | 303NB24090 | GUIDE BOOKLET LEFT | | | 1 | 1 | 1 | 1 |
| 14 | 303H321120 | CUSHION HOLDER | | | 2 | 2 | 2 | 2 |
| 15 | 303NB36661 | PULLEY MIDDLE | | | 2 | 2 | 2 | 2 |
| 16 | 303NB36110 | SHAFT MIDDLE PULLEY | | | 2 | 2 | 2 | 2 |
| 17 | 303NB36100 | HOLDER MIDDLE PULLEY | | | 2 | 2 | 2 | 2 |
| 18 | 303NB36670 | SPRING PULLEY | | | 2 | 2 | 2 | 2 |
| 19 | 303NB36120 | MOUNT MIDDLE PULLEY | | | 2 | 2 | 2 | 2 |
| 20 | 303RW07020 | STAY PUNCH | | | 1 | 1 | 1 | 1 |
| 21 | 303NB04290 | PLATE PIN HANDLE | | | 1 | 1 | 1 | 1 |
| 22 | 303NB07140 | SHEET ROLLER FEED | | | 2 | 2 | 2 | 2 |
| 23 | 303NB07040 | GUIDE PUNCH | | | 1 | 1 | 1 | 1 |
| 24 | 303NB02240 | MOUNT MAIL REAR | | | 1 | 1 | 1 | 1 |
| 25 | 303NB02230 | MOUNT MAIL FRONT | | | 1 | 1 | 1 | 1 |
| 26 | 303JY24AD0 | CUSHION B | | | 2 | 2 | 2 | 2 |
| 27 | 303NB37070 | SHAFT MAIN TRAY | | | 1 | 1 | 1 | 1 |
| 28 | 28107310 | BUSH 8 | | | 2 | 2 | 2 | 2 |
| 29 | 2BC06910 | STOPPER 6 | | | 2 | 2 | 2 | 2 |
| 30 | 303NB02180 | STAY PARTITION | | | 2 | 2 | 2 | 2 |
| 31 | 303NB37100 | FRAME MAIN TRAY FRONT | | | 1 | 1 | 1 | 1 |
| 32 | 303NB37120 | FRAME MAIN TRAY REAR | | | 1 | 1 | 1 | 1 |
| 33 | 303NB37130 | PIN RAIL | | | 4 | 4 | 4 | 4 |
| 34 | 3AK20200 | PULLEY,MAIN TRAY | | | 4 | 4 | 4 | 4 |
| 35 | 303NB37190 | FILM FRAME TRAY | | | 1 | 1 | 1 | 1 |
| 36 | 303NB02200 | FILM PARTITION | | | 6 | 6 | 6 | 6 |
| 37 | 303NB02171 | PARTITION FINISHER | | | 1 | 1 | 1 | 1 |
| 38 | 3CZ02230 | PIN,HOOK FULCRUM | | | 2 | 2 | 2 | 2 |
| 39 | 303NB02131 | SPRING-PLATE JUNCTION | | | 1 | 1 | 1 | 1 |
| 40 | 303NB02361 | GUIDE DRAWER | | | 1 | 1 | 1 | 1 |
| 41 | 303NB02341 | PLATE LOCK JUNCTION D | | | 1 | 1 | 1 | 1 |
| 42 | 303NB46190 | WIRE INTERFACE B | | | 1 | 1 | 1 | 1 |
| 101 | 7BB700412H | +BIND T.T S SCREW 4X12 SR | | | | | | |
| 102 | 7BB700408H | +BIND T.T S SCREW 4X8 SR | | | | | | |
| 103 | 7BB782410H | +TP-FLAT T.T S SCREW 4X10 SR(BLACK) | | | | | | |
| 104 | 7BB782308H | +TP-FLAT T.T S SCREW 3X8 SR(BLACK) | | | | | | |

FIG. 3 Paper Feed Section 1

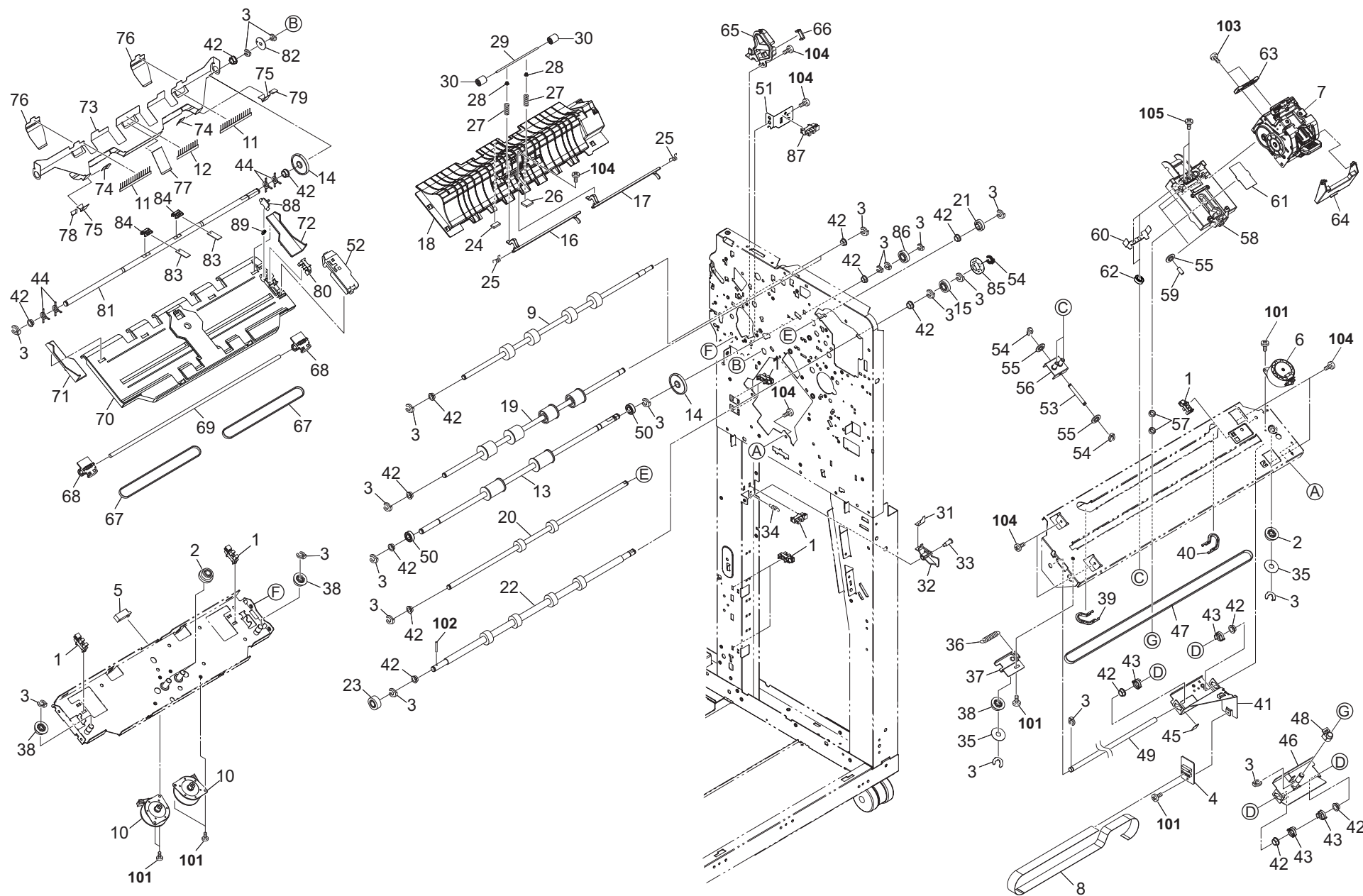


FIG. 3 Paper Feed Section 1

3RW

| Ref No. | Part.No. | Description | Notes | Revision | Quantity | | | |
|---------|------------|---------------------------------|-------|----------|----------|-----|-----|-----|
| | | | | | 100 | 120 | 230 | 240 |
| 1 | 303M894260 | PARTS SENSOR OPT SP | | | 8 | 8 | 8 | 8 |
| 2 | 303NB28130 | GEAR Z45-P30 | | | 3 | 3 | 3 | 3 |
| 3 | 2BC06910 | STOPPER 6 | | | 22 | 22 | 22 | 22 |
| 4 | 303NB94020 | PARTS PWB STAPLER ASSY SP | | | 1 | 1 | 1 | 1 |
| 5 | 303NW94060 | PARTS SENSOR OPT. SP | | | 1 | 1 | 1 | 1 |
| 6 | 303NB94040 | PARTS MOTOR-PM MOVING SP | | | 1 | 1 | 1 | 1 |
| 7 | 303NB94131 | PARTS STAPLER EH600 SP | | | 1 | 1 | 1 | 1 |
| 8 | 303NB46110 | WIRE FFC | | | 1 | 1 | 1 | 1 |
| 9 | 303NB94090 | PARTS ROLLER EXIT SP | | | 1 | 1 | 1 | 1 |
| 10 | 302HN44100 | MOTOR REVERSE | | | 2 | 2 | 2 | 2 |
| 11 | 303NB36580 | STATIC-ELIMINATOR PAPER STOPPER | | | 2 | 2 | 2 | 2 |
| 12 | 303NB36460 | STATIC-ELIMINATOR EJECT | | | 1 | 1 | 1 | 1 |
| 13 | 303RW94050 | PARTS ROLLER MIDDLE SP | | | 1 | 1 | 1 | 1 |
| 14 | 303NB36150 | GEAR 41 PADDLE A | | | 2 | 2 | 2 | 2 |
| 15 | 303NB31010 | GEAR Z35R | | | 1 | 1 | 1 | 1 |
| 16 | 303NB24182 | ACTUATOR MIDDLE | | | 1 | 1 | 1 | 1 |
| 17 | 303RW24111 | ACTUATOR DRUM | | | 1 | 1 | 1 | 1 |
| 18 | 303RW24060 | GUIDE MIDDLE CONVEYING LOWER | | | 1 | 1 | 1 | 1 |
| 19 | 303NB94060 | PARTS ROLLER SUB EXIT SP | | | 1 | 1 | 1 | 1 |
| 20 | 303RW94040 | PARTS ROLLER SUB CONVEYING SP | | | 1 | 1 | 1 | 1 |
| 21 | 303NB31020 | GEAR Z35L | | | 1 | 1 | 1 | 1 |
| 22 | 303RW94020 | PARTS ROLLER FEED LOWER SP | | | 1 | 1 | 1 | 1 |
| 23 | 302KS08110 | GEAR 18 | | | 1 | 1 | 1 | 1 |
| 24 | 63213320 | CUSHION,ORIGINAL COLLECTION | | | 1 | 1 | 1 | 1 |
| 25 | 302K928190 | SPRING-TORSION SWITCHBACK | | | 2 | 2 | 2 | 2 |
| 26 | 303H321120 | CUSHION HOLDER | | | 1 | 1 | 1 | 1 |
| 27 | 302H728100 | SPRING EXIT PULLEY | | | 2 | 2 | 2 | 2 |
| 28 | 2FM04150 | CAP SPRING /B-11 ENCLOSURE A4 | | | 2 | 2 | 2 | 2 |
| 29 | 303RW24170 | SHAFT FEED | | | 1 | 1 | 1 | 1 |
| 30 | 303B817020 | PULLEY SUB EJECT | | | 2 | 2 | 2 | 2 |
| 31 | 303NB37161 | FILM SENSOR | | | 1 | 1 | 1 | 1 |
| 32 | 303NB37172 | PLATE DETECTION | | | 1 | 1 | 1 | 1 |
| 33 | 303J902280 | PIN PAPER FEED | | | 1 | 1 | 1 | 1 |
| 34 | 302F902180 | SPRING LEVER EF | | | 1 | 1 | 1 | 1 |
| 35 | 303JY38240 | SPACER 25 | | | 2 | 2 | 2 | 2 |
| 36 | 72418140 | SPRING, BLADE | | | 1 | 1 | 1 | 1 |
| 37 | 303NB38100 | PLATE STAPLER UNIT TENSION | | | 1 | 1 | 1 | 1 |
| 38 | 3AP02040 | PULLEY 30,DUPLICATE | | | 3 | 3 | 3 | 3 |
| 39 | 303NB38071 | RAIL STAPLER SHIFT FRONT | | | 1 | 1 | 1 | 1 |
| 40 | 303NB38121 | RAIL STAPLER SHIFT REAR | | | 1 | 1 | 1 | 1 |
| 41 | 303NB38131 | MOUNT PRINT STAPLER | | | 1 | 1 | 1 | 1 |
| 42 | 28107310 | BUSH 8 | | | 16 | 16 | 16 | 16 |
| 43 | 303NB38150 | STOPPER BUSH | | | 4 | 4 | 4 | 4 |
| 44 | 303NB36550 | RUBBER FEED | | | 4 | 4 | 4 | 4 |
| 45 | 302KK24390 | FILM DU GUIDE | | | 1 | 1 | 1 | 1 |
| 46 | 303NB38051 | PLATE STAPLER SHIFT | | | 1 | 1 | 1 | 1 |
| 47 | 303NB38030 | BELT STAPLER SHIFT | | | 1 | 1 | 1 | 1 |
| 48 | 303NB38110 | STOPPER DRIVE BELT | | | 1 | 1 | 1 | 1 |
| 49 | 303NB38040 | SHAFT STAPLER SHIFT | | | 1 | 1 | 1 | 1 |

FIG. 3 Paper Feed Section 1

3RW

| Ref No. | Part.No. | Description | Notes | Revision | Quantity | | | |
|---------|-----------------|---------------------------------|-------|----------|----------|-----|-----|-----|
| | | | | | 100 | 120 | 230 | 240 |
| 50 | 7BE008165431H11 | BEARING 688ZZ | | | 2 | 2 | 2 | 2 |
| 51 | 303PW36240 | MOUNT PI UPPER GUIDE | | | 1 | 1 | 1 | 1 |
| 52 | 303RW36051 | COVER MIDDLE TRAY WIRE | | | 1 | 1 | 1 | 1 |
| 53 | 303NB38080 | SHAFT STOPPER PULLEY | | | 1 | 1 | 1 | 1 |
| 54 | 5MVX111DN003 | RING STOPPER /A-49 FEED A4 | | | 3 | 3 | 3 | 3 |
| 55 | 5MVM176DN001 | PULLEY RAIL CASS /40283V0034 A4 | | | 5 | 5 | 5 | 5 |
| 56 | 303NB38060 | STOPPER STAPLER MOUNT | | | 1 | 1 | 1 | 1 |
| 57 | 3B807230 | COLLAR,MIDDLE BELT | | | 2 | 2 | 2 | 2 |
| 58 | 303NB38021 | MOUNT STAPLER | | | 1 | 1 | 1 | 1 |
| 59 | 303NB38090 | SHAFT MOUNT PULLEY | | | 3 | 3 | 3 | 3 |
| 60 | 303NB38190 | PLATE EARTH STAPLER | | | 1 | 1 | 1 | 1 |
| 61 | 303NB38160 | FILM STAPLER | | | 1 | 1 | 1 | 1 |
| 62 | 7BE006124431H01 | BEARING MR126ZZ | | | 2 | 2 | 2 | 2 |
| 63 | 303NB38180 | GUIDE STAPLER | | | 1 | 1 | 1 | 1 |
| 64 | 303NB38140 | COVER STAPLER | | | 1 | 1 | 1 | 1 |
| 65 | 303NB36050 | DUCT UPPER GUIDE WIRE 1 | | | 1 | 1 | 1 | 1 |
| 66 | 303LL02330 | HOLDER WIRE D | | | 1 | 1 | 1 | 1 |
| 67 | 302FB09720 | BELT FRONT DRIVE | | | 2 | 2 | 2 | 2 |
| 68 | 303NB36070 | HOLDER CURSOR | | | 2 | 2 | 2 | 2 |
| 69 | 303NB36060 | SHAFT CURSOR | | | 1 | 1 | 1 | 1 |
| 70 | 303RW36021 | GUIDE MIDDLE TRAY | | | 1 | 1 | 1 | 1 |
| 71 | 303NB36031 | CURSOR F MIDDLE TRAY | | | 1 | 1 | 1 | 1 |
| 72 | 303NB36041 | CURSOR R MIDDLE TRAY | | | 1 | 1 | 1 | 1 |
| 73 | 303NB36082 | GUIDE PAPER STOPPER | | | 1 | 1 | 1 | 1 |
| 74 | 303NB36420 | FILM GUIDE STOPPER | | | 2 | 2 | 2 | 2 |
| 75 | 303NB36510 | FILM GUIDE STOPPER B | | | 2 | 2 | 2 | 2 |
| 76 | 303NB36442 | FILM GUIDE STOPPER S | | | 2 | 2 | 2 | 2 |
| 77 | 303NB36430 | FILM GUIDE STOPPER C | | | 1 | 1 | 1 | 1 |
| 78 | 303NB36650 | FILM GUIDE STOPPER E | | | 1 | 1 | 1 | 1 |
| 79 | 303NB36640 | FILM GUIDE STOPPER D | | | 1 | 1 | 1 | 1 |
| 80 | 303M894260 | PARTS SENSOR OPT SP | | | 1 | 1 | 1 | 1 |
| 81 | 303NB36141 | SHAFT PADDLE A | | | 1 | 1 | 1 | 1 |
| 82 | 303NB36160 | PLATE PULSE PADDLE A | | | 1 | 1 | 1 | 1 |
| 83 | 303NB36130 | SHEET PADDLE A | | | 2 | 2 | 2 | 2 |
| 84 | 303NB36240 | HOLDER PADDLE | | | 2 | 2 | 2 | 2 |
| 85 | 302HN22070 | GEAR Z22L TC ROLL | | | 1 | 1 | 1 | 1 |
| 86 | 303JX31390 | GEAR 22 R | | | 1 | 1 | 1 | 1 |
| 87 | 302P794010 | PARTS SENSOR OPT. SP | | | 1 | 1 | 1 | 1 |
| 88 | 303RW36040 | ACTUATOR EXIT | | | 1 | 1 | 1 | 1 |
| 89 | 302LC28150 | SPRING-COMPRESSION | | | 1 | 1 | 1 | 1 |
| 101 | 7BB700308H | +BIND T.T S SCREW 3X8 SR | | | | | | |
| 102 | 5MBP2012WXSP | SPRING PIN/M2 X 12 S-BLK | | | | | | |
| 103 | 7BB202306H | +TP-FLAT T.T P SCREW 3X6 | | | | | | |
| 104 | 7BB700408H | +BIND T.T S SCREW 4X8 SR | | | | | | |
| 105 | 7BB607410H | +TP-CUP M SCREW 4X10 R | | | | | | |

FIG. 4 Paper Feed Section 2

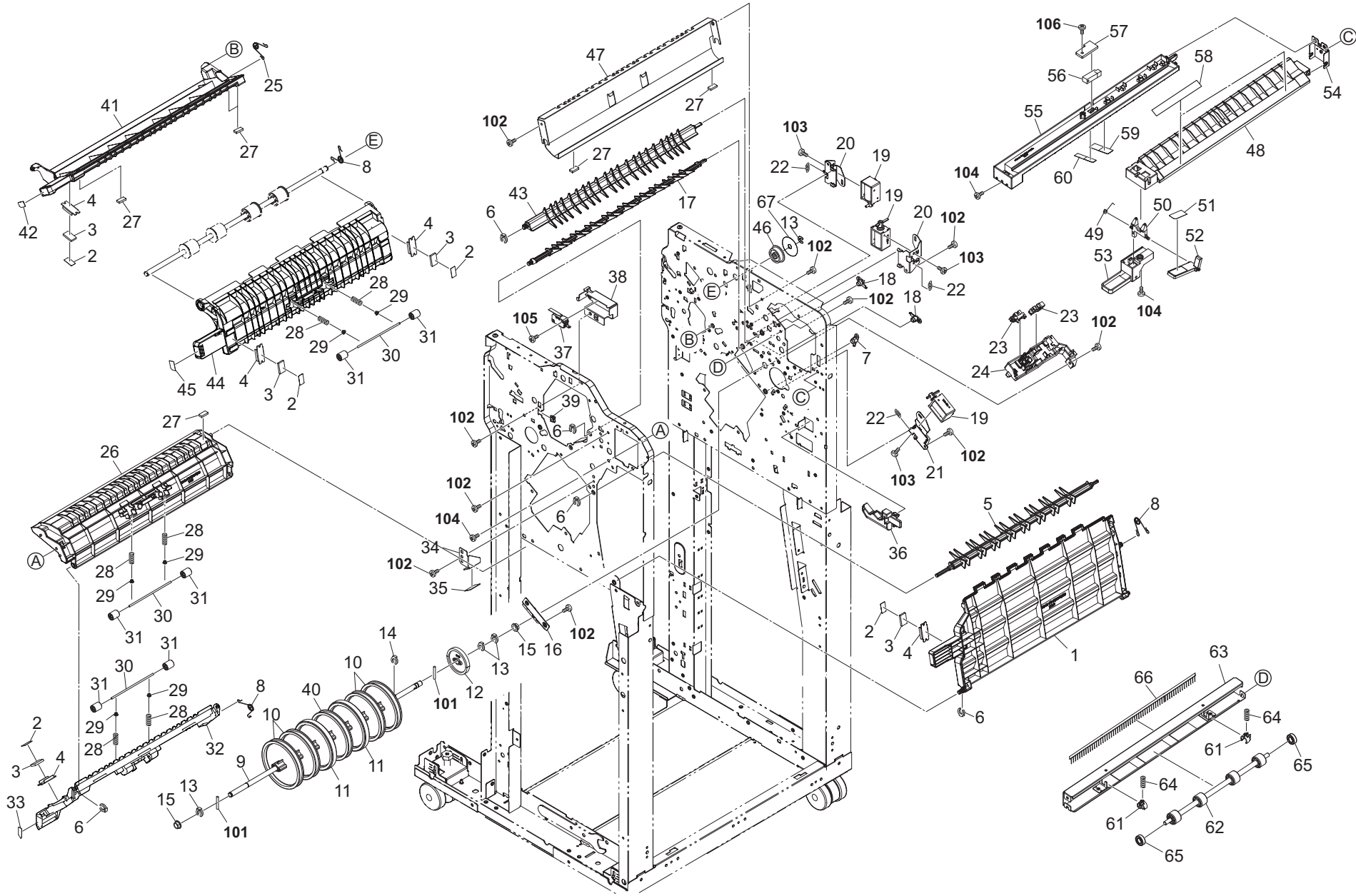


FIG. 4 Paper Feed Section 2

3RW-C

| Ref No. | Part.No. | Description | Notes | Revision | Quantity | | | |
|---------|-----------------|-------------------------------|-------|-------------|----------|-----|-----|-----|
| | | | | | 100 | 120 | 230 | 240 |
| 1 | 303NB24080 | GUIDE BOOKLET RIGHT | | | 1 | 1 | 1 | 1 |
| 2 | 302GR04380 | SEAL MAGNET | | | 5 | 5 | 5 | 5 |
| 3 | 302GR04370 | MAGNET CLIP DISH | | | 5 | 5 | 5 | 5 |
| 4 | 303NB24210 | HOLDER MAGNET | | | 5 | 5 | 5 | 5 |
| 5 | 303RW24120 | GUIDE FEED SHIFT BOOKLET | | | 1 | 1 | 1 | 1 |
| 6 | 5MVX111DN003 | RING STOPPER /A-49 FEED A4 | | | 5 | 5 | 5 | 5 |
| 7 | 303NB24160 | LEVER SOLENOID C | | | 1 | 1 | 1 | 1 |
| 8 | 303NB24220 | SPRING GUIDE HOLD | | | 3 | 3 | 3 | 3 |
| 9 | 303RW24101 | SHAFT DRUM | | | 1 | 1 | 1 | 1 |
| 10 | 303H316390 | GUIDE WHEEL DRUM | | | 4 | 4 | 4 | 4 |
| 11 | 303H316370 | GUIDE DRUM ASS'Y | | | 2 | 2 | 2 | 2 |
| 12 | 3H316050 | GEAR 46 DRUM DRIVE | | | 1 | 1 | 1 | 1 |
| 13 | 2BC06910 | STOPPER 6 | | | 4 | 4 | 4 | 4 |
| 14 | 33973300 | STOPPER 7,CARTRIDGE | | | 1 | 1 | 1 | 1 |
| 15 | 28107310 | BUSH 8 | | | 2 | 2 | 2 | 2 |
| 16 | 303NB24290 | MOUNT GUIDE DRUM | | | 1 | 1 | 1 | 1 |
| 17 | 303RW24130 | GUIDE FEED SHIFT DRUM | | | 1 | 1 | 1 | 1 |
| 18 | 303NB24140 | LEVER SOLENOID AB | | | 2 | 2 | 2 | 2 |
| 19 | 302K994370 | PARTS SOLENOID FEED SHIFT SP | | | 3 | 3 | 3 | 3 |
| 20 | 303NB24130 | MOUNT SOLENOID AB | | | 2 | 2 | 2 | 2 |
| 21 | 303NB24150 | MOUNT SOLENOID C | | | 1 | 1 | 1 | 1 |
| 22 | 302FZ08190 | SPRING HOLDER MPT | | | 3 | 3 | 3 | 3 |
| 23 | 303M894260 | PARTS SENSOR OPT SP | | | 2 | 2 | 2 | 2 |
| 24 | 303NB24200 | MOUNT PI ACTUATOR | | | 1 | 1 | 1 | 1 |
| 25 | 303RW24160 | SPRING GUIDE HOLD | | | 1 | 1 | 1 | 1 |
| 26 | 303RW24070 | GUIDE DRUM UPPER | | | 1 | 1 | 1 | 1 |
| 27 | 63213320 | CUSHION,ORIGINAL COLLECTION | | | 5 | 5 | 5 | 5 |
| 28 | 302H728100 | SPRING EXIT PULLEY | | | 6 | 6 | 6 | 6 |
| 29 | 2FM04150 | CAP SPRING /B-11 ENCLOSURE A4 | | | 6 | 6 | 6 | 6 |
| 30 | 303RW24170 | SHAFT FEED | | | 3 | 3 | 3 | 3 |
| 31 | 303B817020 | PULLEY SUB EJECT | | | 6 | 6 | 6 | 6 |
| 32 | 303RW24081 | GUIDE DRUM LOWER | | Design-chg. | 1 | 1 | 1 | 1 |
| 33 | 303NB34170 | LABEL D6 NEW | | | 1 | 1 | 1 | 1 |
| 34 | 303NB24280 | MOUNT MAGNET | | | 1 | 1 | 1 | 1 |
| 35 | 303NB24330 | FILM MAGNET | | | 1 | 1 | 1 | 1 |
| 36 | 303NB24320 | STOPPER GUIDE | | | 1 | 1 | 1 | 1 |
| 37 | 2FB27160 | INTER LOCK SWITCH | | | 1 | 1 | 1 | 1 |
| 38 | 303NB36330 | MOUNT INTERLOCK UPPER GUIDE | | | 1 | 1 | 1 | 1 |
| 39 | 7YZM210014++H01 | ACCESS.EDGING | | | 1 | 1 | 1 | 1 |
| 40 | 303RW24090 | GUIDE WHEEL DRUM | | | 1 | 1 | 1 | 1 |
| 41 | 303NB24040 | GUIDE MIDDLE CONVEYING UPPER | | | 1 | 1 | 1 | 1 |
| 42 | 303NB34040 | LABEL D4 | | | 1 | 1 | 1 | 1 |
| 43 | 303NB24100 | GUIDE FEED SHIFT SUB | | | 1 | 1 | 1 | 1 |
| 44 | 303RW24031 | GUIDE SUB LEFT OPEN | | | 1 | 1 | 1 | 1 |
| 45 | 303NB34020 | LABEL D2 | | | 1 | 1 | 1 | 1 |
| 46 | 303NB31130 | PULLEY P42 EXIT | | | 1 | 1 | 1 | 1 |
| 47 | 303RW24010 | GUIDE SUB RIGHT | | | 1 | 1 | 1 | 1 |
| 48 | 303NB07021 | GUIDE FEED LOWER | | | 1 | 1 | 1 | 1 |

FIG. 4 Paper Feed Section 2

3RW

| Ref No. | Part.No. | Description | Notes | Revision | Quantity | | | |
|---------|-----------------|---------------------------------|-------|----------|----------|-----|-----|-----|
| | | | | | 100 | 120 | 230 | 240 |
| 49 | 303NB07120 | SPRING-TORSION GUIDE HOOK | | | 1 | 1 | 1 | 1 |
| 50 | 303NB07100 | HOOK GUIDE FEED LOWER | | | 1 | 1 | 1 | 1 |
| 51 | 303NC34020 | LABEL D1 | | | 1 | 1 | 1 | 1 |
| 52 | 303NB07110 | LEVER GUIDE FEED LOWER | | | 1 | 1 | 1 | 1 |
| 53 | 303NB07092 | HANDLE GUIDE FEED LOWER | | | 1 | 1 | 1 | 1 |
| 54 | 303NB07080 | MOUNT LOWER GUIDE FEED | | | 1 | 1 | 1 | 1 |
| 55 | 303NB07011 | GUIDE FEED UPPER | | | 1 | 1 | 1 | 1 |
| 56 | 303NW94060 | PARTS SENSOR OPT. SP | | | 1 | 1 | 1 | 1 |
| 57 | 303NB07150 | LID SENSOR | | | 1 | 1 | 1 | 1 |
| 58 | 303NB07190 | SHEET FEED IN C | | | 2 | 2 | 2 | 2 |
| 59 | 303NB07170 | SHEET FEED IN A | | | 1 | 1 | 1 | 1 |
| 60 | 303NB07180 | SHEET FEED IN B | | | 1 | 1 | 1 | 1 |
| 61 | 303NB07160 | HOLDER BEARING | | | 2 | 2 | 2 | 2 |
| 62 | 303RW94030 | PARTS ROLLER FEED UPPER SP | | | 1 | 1 | 1 | 1 |
| 63 | 303RW07040 | GUIDE FEED ROLLER | | | 1 | 1 | 1 | 1 |
| 64 | 302H724030 | SPRING REGIST F | | | 2 | 2 | 2 | 2 |
| 65 | 7BE006124431H01 | BEARING MR126ZZ | | | 2 | 2 | 2 | 2 |
| 66 | 63212210 | STATIC ELIMINATOR,EJECT | | | 1 | 1 | 1 | 1 |
| 67 | 303H322140 | FLANGE 36 | | | 1 | 1 | 1 | 1 |
| 101 | 7BP512514B0CH01 | PARALLEL PIN 2.5X14 | | | | | | |
| 102 | 7BB700408H | +BIND T.T S SCREW 4X8 SR | | | | | | |
| 103 | 7BB007303H | +TP-CUP M SCREW 3X3 | | | | | | |
| 104 | 7BB200410H | +BIND T.T P SCREW 4X10 | | | | | | |
| 105 | 7BB700316H | +BIND T.T S SCREW 3X16 SR | | | | | | |
| 106 | 7BB282308H | +TP-FLAT T.T P SCREW 3X8(BLACK) | | | | | | |

FIG. 5 Paper Feed Section 3

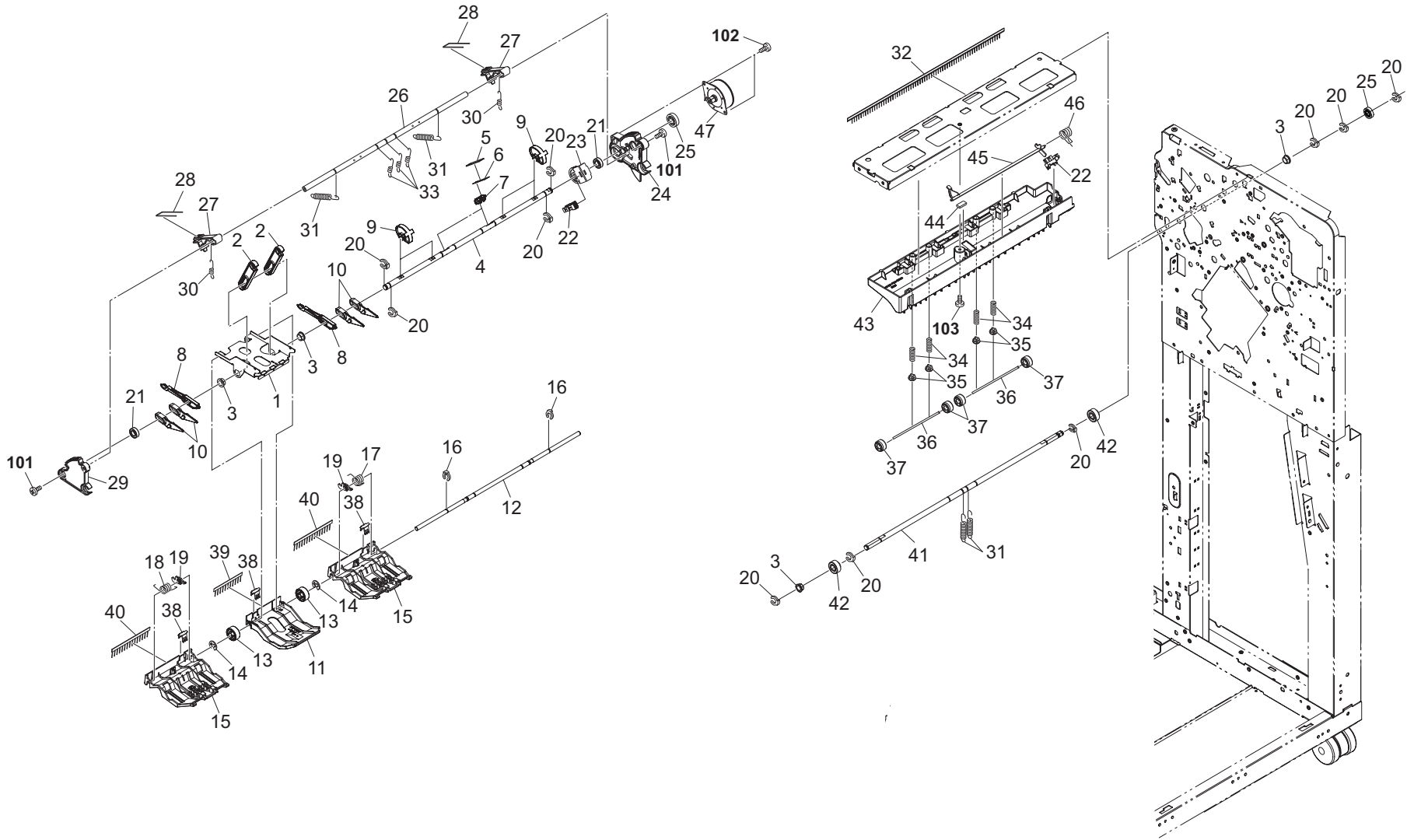


FIG. 5 Paper Feed Section 3

3RW

| Ref No. | Part.No. | Description | Notes | Revision | Quantity | | | |
|---------|-----------------|--------------------------------|-------|----------|----------|-----|-----|-----|
| | | | | | 100 | 120 | 230 | 240 |
| 1 | 303NB36190 | MOUNT EXIT PULLEY | | | 1 | 1 | 1 | 1 |
| 2 | 303NB36370 | LEVER UPPER EXIT | | | 2 | 2 | 2 | 2 |
| 3 | 28107310 | BUSH 8 | | | 4 | 4 | 4 | 4 |
| 4 | 303NB36271 | SHAFT PADDLE B | | | 1 | 1 | 1 | 1 |
| 5 | 303NB36260 | SHEET PADDLE B | | | 2 | 2 | 2 | 2 |
| 6 | 303NB36480 | FILM PADDLE B | | | 2 | 2 | 2 | 2 |
| 7 | 303NB36240 | HOLDER PADDLE | | | 2 | 2 | 2 | 2 |
| 8 | 303NB36380 | BRAKE EXIT | | | 2 | 2 | 2 | 2 |
| 9 | 303NB36600 | CAM PADDLE | | | 4 | 4 | 4 | 4 |
| 10 | 303NB36591 | LEVER PAPER PRESS | | | 4 | 4 | 4 | 4 |
| 11 | 303NB36350 | GUIDE CENTER | | | 1 | 1 | 1 | 1 |
| 12 | 303NB36230 | SHAFT PAPER PRESS | | | 1 | 1 | 1 | 1 |
| 13 | 303NB36200 | PULLEY EXIT | | | 2 | 2 | 2 | 2 |
| 14 | 302FB09830 | CUT WASHER 4 | | | 2 | 2 | 2 | 2 |
| 15 | 303NB36224 | GUIDE PAPER PRESS | | | 2 | 2 | 2 | 2 |
| 16 | 5MVX111DN003 | RING STOPPER /A-49 FEED A4 | | | 2 | 2 | 2 | 2 |
| 17 | 303NB36540 | SPRING EXIT R | | | 1 | 1 | 1 | 1 |
| 18 | 303NB36530 | SPRING EXIT F | | | 1 | 1 | 1 | 1 |
| 19 | 303NB36521 | GUIDE PAPER EXIT | | | 2 | 2 | 2 | 2 |
| 20 | 2BC06910 | STOPPER 6 | | | 10 | 10 | 10 | 10 |
| 21 | 7BE008165431H11 | BEARING 688ZZ | | | 2 | 2 | 2 | 2 |
| 22 | 303M894260 | PARTS SENSOR OPT SP | | | 2 | 2 | 2 | 2 |
| 23 | 303NB36250 | MOUNT PI PADDLE B | | | 1 | 1 | 1 | 1 |
| 24 | 303NB36180 | FRAME EXIT REAR | | | 1 | 1 | 1 | 1 |
| 25 | 303NB31010 | GEAR Z35R | | | 2 | 2 | 2 | 2 |
| 26 | 303NB36210 | SHAFT UPPER GUIDE | | | 1 | 1 | 1 | 1 |
| 27 | 303NB36390 | LEVER BRAKE EXIT | | | 2 | 2 | 2 | 2 |
| 28 | 303NB36410 | SPRING LEVER BRAKE | | | 2 | 2 | 2 | 2 |
| 29 | 303NB36170 | FRAME EXIT FRONT | | | 1 | 1 | 1 | 1 |
| 30 | 303NB36290 | SPRING EXIT PULLEY | | | 2 | 2 | 2 | 2 |
| 31 | 303NB36300 | SPRING GUIDE PAPER PRESS | | | 4 | 4 | 4 | 4 |
| 32 | 303NB24300 | STATIC-ELIMINATOR SUB EJECT | | | 1 | 1 | 1 | 1 |
| 33 | 303NB36630 | SPRING EXIT PRESS | | | 3 | 3 | 3 | 3 |
| 34 | 302H728100 | SPRING EXIT PULLEY | | | 4 | 4 | 4 | 4 |
| 35 | 2FM04150 | CAP SPRING /B-11 ENCLOSURE A4 | | | 4 | 4 | 4 | 4 |
| 36 | 303RW24180 | SHAFT EJECT | | | 2 | 2 | 2 | 2 |
| 37 | 303NB24310 | PULLEY SUB EJECT | | | 4 | 4 | 4 | 4 |
| 38 | 303NB36471 | PLATE EARTH EJECT | | | 3 | 3 | 3 | 3 |
| 39 | 303NB36500 | STATIC-ELIMINATOR EJECT CENTER | | | 1 | 1 | 1 | 1 |
| 40 | 303NB36490 | STATIC-ELIMINATOR EJECT SIDE | | | 2 | 2 | 2 | 2 |
| 41 | 303NB36310 | SHAFT UPPER EXIT DRIVE | | | 1 | 1 | 1 | 1 |
| 42 | 2BL21430 | GEAR EXIT Z20 | | | 2 | 2 | 2 | 2 |
| 43 | 303RW24020 | GUIDE SUB EJECT | | | 1 | 1 | 1 | 1 |
| 44 | 63213320 | CUSHION,ORIGINAL COLLECTION | | | 1 | 1 | 1 | 1 |
| 45 | 303NB24170 | ACTUATOR SUB | | | 1 | 1 | 1 | 1 |
| 46 | 302K928190 | SPRING-TORSION SWITCHBACK | | | 1 | 1 | 1 | 1 |
| 47 | 302HN44100 | MOTOR REVERSE | | | 1 | 1 | 1 | 1 |
| 101 | 7BB607410H | +TP-CUP M SCREW 4X10 R | | | | | | |
| 102 | 7BB200308H | +BIND T.T P SCREW 3X8 | | | | | | |
| 103 | 7BB700408H | +BIND T.T S SCREW 4X8 SR | | | | | | |

FIG. 6 Main Exit Section

3RW

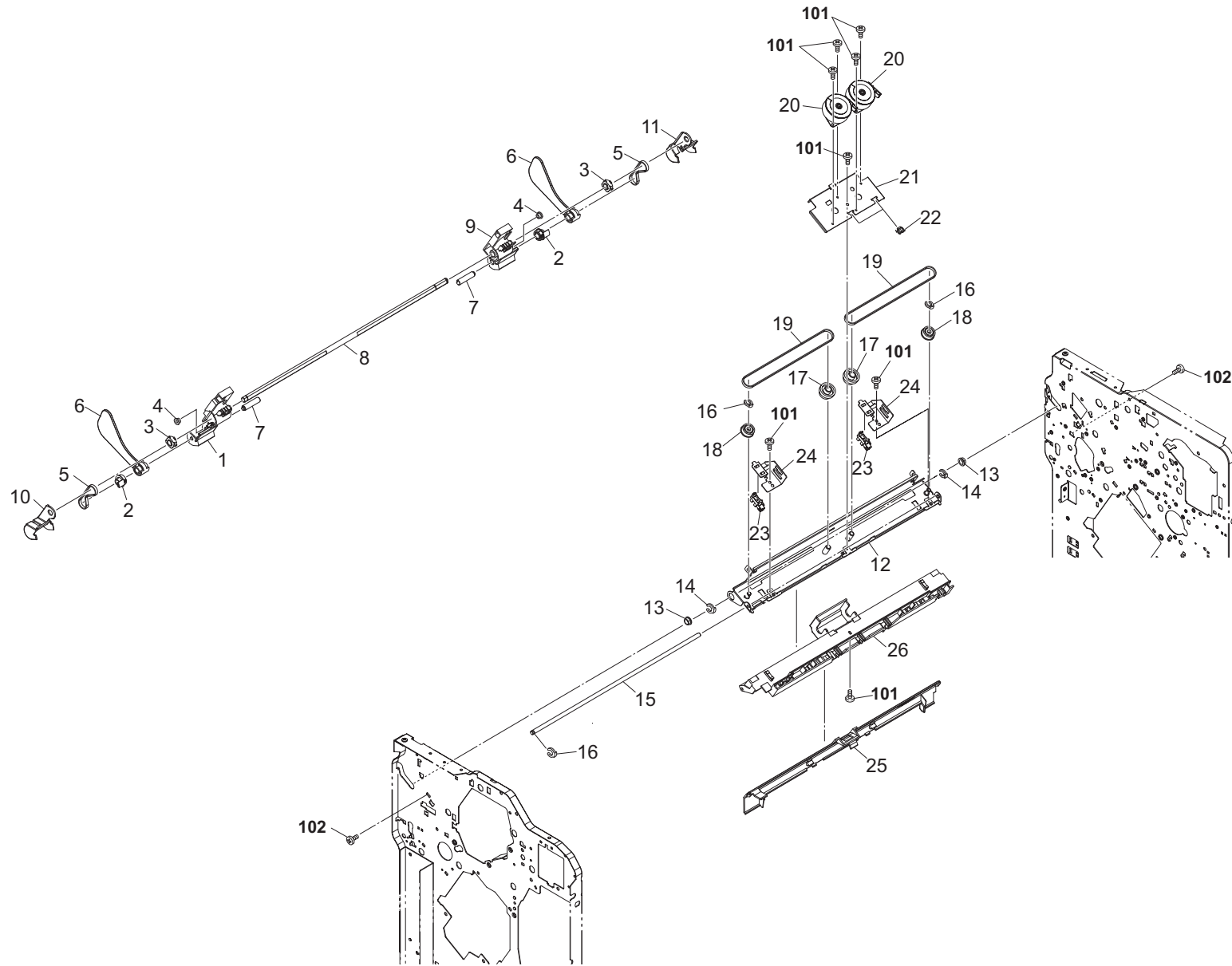


FIG. 6 Main Exit Section

3RW

| Ref No. | Part.No. | Description | Notes | Revision | Quantity | | | |
|---------|-----------------|----------------------------|-------|----------|----------|-----|-----|-----|
| | | | | | 100 | 120 | 230 | 240 |
| 1 | 303NB28020 | SLIDER F MAIN EXIT | | | 1 | 1 | 1 | 1 |
| 2 | 303NB28060 | PULLEY 26 TURN | | | 2 | 2 | 2 | 2 |
| 3 | 302H029110 | PULLEY 26 DU | | | 2 | 2 | 2 | 2 |
| 4 | 2C902520 | COLLAR LEVER CONT. | | | 2 | 2 | 2 | 2 |
| 5 | 303NB28070 | BELT 138 | | | 2 | 2 | 2 | 2 |
| 6 | 303NB28010 | CURSOR MAIN EXIT | | | 2 | 2 | 2 | 2 |
| 7 | 303NB28080 | SHAFT CURSOR | | | 2 | 2 | 2 | 2 |
| 8 | 303NB28090 | SHAFT DRIVE | | | 1 | 1 | 1 | 1 |
| 9 | 303NB28030 | SLIDER R MAIN EXIT | | | 1 | 1 | 1 | 1 |
| 10 | 303NB28040 | CAP F MAIN EXIT | | | 1 | 1 | 1 | 1 |
| 11 | 303NB28050 | CAP R MAIN EXIT | | | 1 | 1 | 1 | 1 |
| 12 | 303NB28120 | STAY MAIN EXIT | | | 1 | 1 | 1 | 1 |
| 13 | 28107310 | BUSH 8 | | | 2 | 2 | 2 | 2 |
| 14 | 2BC06910 | STOPPER 6 | | | 2 | 2 | 2 | 2 |
| 15 | 303NB28100 | SHAFT GUIDE | | | 1 | 1 | 1 | 1 |
| 16 | 5MVX111DN003 | RING STOPPER /A-49 FEED A4 | | | 3 | 3 | 3 | 3 |
| 17 | 303NB28130 | GEAR Z45-P30 | | | 2 | 2 | 2 | 2 |
| 18 | 302FB09610 | PULLEY 30 DU | | | 2 | 2 | 2 | 2 |
| 19 | 303NB28110 | BELT 396 | | | 2 | 2 | 2 | 2 |
| 20 | 302HN44100 | MOTOR REVERSE | | | 2 | 2 | 2 | 2 |
| 21 | 303NB28140 | MOUNT SLIDE DRIVE | | | 1 | 1 | 1 | 1 |
| 22 | 7YZM210014++H01 | ACCESS.EDGING | | | 2 | 2 | 2 | 2 |
| 23 | 303M894260 | PARTS SENSOR OPT SP | | | 2 | 2 | 2 | 2 |
| 24 | 303NB28150 | MOUNT PI SLIDE | | | 2 | 2 | 2 | 2 |
| 25 | 303NB28222 | GUIDE TURN | | | 1 | 1 | 1 | 1 |
| 26 | 303NB28160 | GUIDE RETAINING | | | 1 | 1 | 1 | 1 |
| 101 | 7BB700308H | +BIND T.T S SCREW 3X8 SR | | | | | | |
| 102 | 7BB700408H | +BIND T.T S SCREW 4X8 SR | | | | | | |

FIG. 7 Drive Section

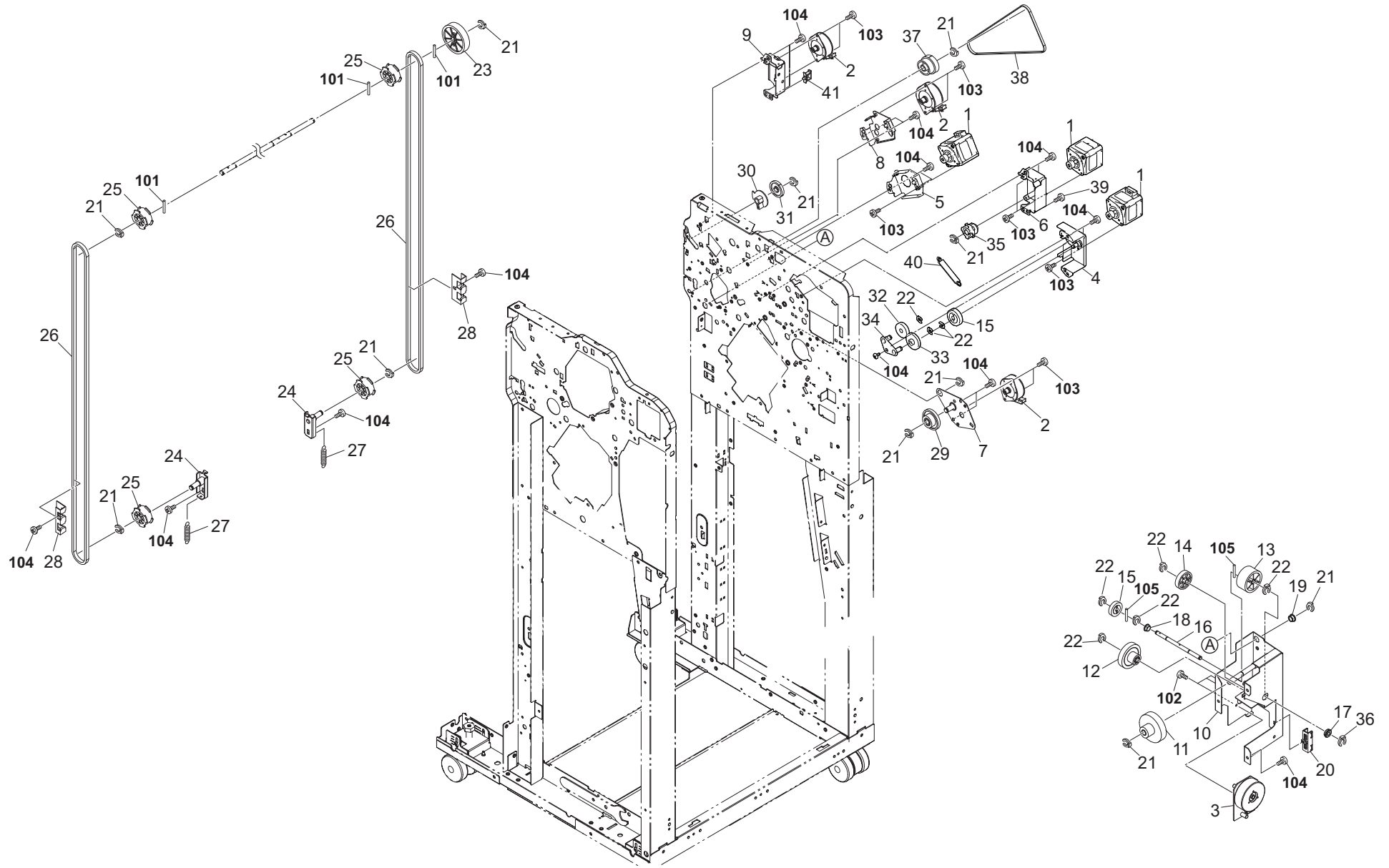


FIG. 7 Drive Section

3RW

| Ref No. | Part.No. | Description | Notes | Revision | Quantity | | | |
|---------|-----------------|-----------------------------|-------|----------|----------|-----|-----|-----|
| | | | | | 100 | 120 | 230 | 240 |
| 1 | 303NV94010 | PARTS MOTOR DP SP | | | 3 | 3 | 3 | 3 |
| 2 | 302HN44100 | MOTOR REVERSE | | | 3 | 3 | 3 | 3 |
| 3 | 303NB94053 | PARTS MOTOR-BL BRAKE SP | | | 1 | 1 | 1 | 1 |
| 4 | 303RW31010 | MOUNT FEED IN DRIVE | | | 1 | 1 | 1 | 1 |
| 5 | 303RW31020 | MOUNT CONVEYING | | | 1 | 1 | 1 | 1 |
| 6 | 303RW31030 | MOUNT EJECT DRIVE | | | 1 | 1 | 1 | 1 |
| 7 | 303NB31060 | MOUNT DRUM DRIVE | | | 1 | 1 | 1 | 1 |
| 8 | 303NB31120 | MOUNT CONVEYING | | | 1 | 1 | 1 | 1 |
| 9 | 303NB28190 | MOUNT TURN DRIVE | | | 1 | 1 | 1 | 1 |
| 10 | 303NB37011 | MOUNT DRIVE | | | 1 | 1 | 1 | 1 |
| 11 | 3AK20080 | GEAR 18/50 | | | 1 | 1 | 1 | 1 |
| 12 | 303NB37030 | GEAR Z34L Z52L | | | 1 | 1 | 1 | 1 |
| 13 | 303NB37040 | GEAR WORM | | | 1 | 1 | 1 | 1 |
| 14 | 303NB37050 | GEAR Z60R | | | 1 | 1 | 1 | 1 |
| 15 | 302H731280 | GEAR Z29R MIDDLE | | | 2 | 2 | 2 | 2 |
| 16 | 303NB37020 | SHAFT WORM | | | 1 | 1 | 1 | 1 |
| 17 | 74808080 | BEARING,686ZZNR | | | 1 | 1 | 1 | 1 |
| 18 | 302K324450 | BUSH 6 | | | 1 | 1 | 1 | 1 |
| 19 | 28107310 | BUSH 8 | | | 1 | 1 | 1 | 1 |
| 20 | 302LF39050 | GUIDE WIRE FRONT PWB | | | 1 | 1 | 1 | 1 |
| 21 | 2BC06910 | STOPPER 6 | | | 11 | 11 | 11 | 11 |
| 22 | 5MVX111DN003 | RING STOPPER /A-49 FEED A4 | | | 8 | 8 | 8 | 8 |
| 23 | 3AK20090 | GEAR 51 | | | 1 | 1 | 1 | 1 |
| 24 | 303NB37060 | PLATE TENSION | | | 2 | 2 | 2 | 2 |
| 25 | 303NB37200 | PULLEY 20S5M | | | 4 | 4 | 4 | 4 |
| 26 | 303NB37080 | BELT LIFT | | | 2 | 2 | 2 | 2 |
| 27 | 303JY28200 | SPRING MAIN TRAY | | | 2 | 2 | 2 | 2 |
| 28 | 3AK20050 | HOLDER,TIMING BELT | | | 2 | 2 | 2 | 2 |
| 29 | 303NB31050 | GEAR Z70R-Z20 | | | 1 | 1 | 1 | 1 |
| 30 | 303NB28170 | PLATE TURN PULSE | | | 1 | 1 | 1 | 1 |
| 31 | 303NB28180 | GEAR Z55R | | | 1 | 1 | 1 | 1 |
| 32 | 303K531040 | GEAR 42 | | | 1 | 1 | 1 | 1 |
| 33 | 303K531120 | GEAR 48 LOOP ROLLER | | | 1 | 1 | 1 | 1 |
| 34 | 303NB31030 | MOUNT FEED IDLE | | | 1 | 1 | 1 | 1 |
| 35 | 303RW31040 | GEAR Z22R-P35 | | | 1 | 1 | 1 | 1 |
| 36 | 302FZ25740 | STOPPER 4 | | | 1 | 1 | 1 | 1 |
| 37 | 303NB31100 | GEAR Z35L-P42 | | | 1 | 1 | 1 | 1 |
| 38 | 303NB31090 | BELT 504 | | | 1 | 1 | 1 | 1 |
| 39 | 3C202230 | PIN,HOOK FULCRUM | | | 1 | 1 | 1 | 1 |
| 40 | 27302160 | SPRING,RELEASE LEVER | | | 1 | 1 | 1 | 1 |
| 41 | 7YZM610007++H01 | ACCESS.SADDLE | | | 1 | 1 | 1 | 1 |
| 101 | E5125200 | PARALLEL PIN H7A 2.5X20 SUS | | | | | | |
| 102 | 7BB007304H | +TP-CUP M SCREW 3X4 | | | | | | |
| 103 | 7BB700308H | +BIND T.T S SCREW 3X8 SR | | | | | | |
| 104 | 7BB700408H | +BIND T.T S SCREW 4X8 SR | | | | | | |
| 105 | 5MBP2012WPLD | PARALLEL PIN/M2 X 12 SUS-DP | | | | | | |

FIG. 8 Electrical Components

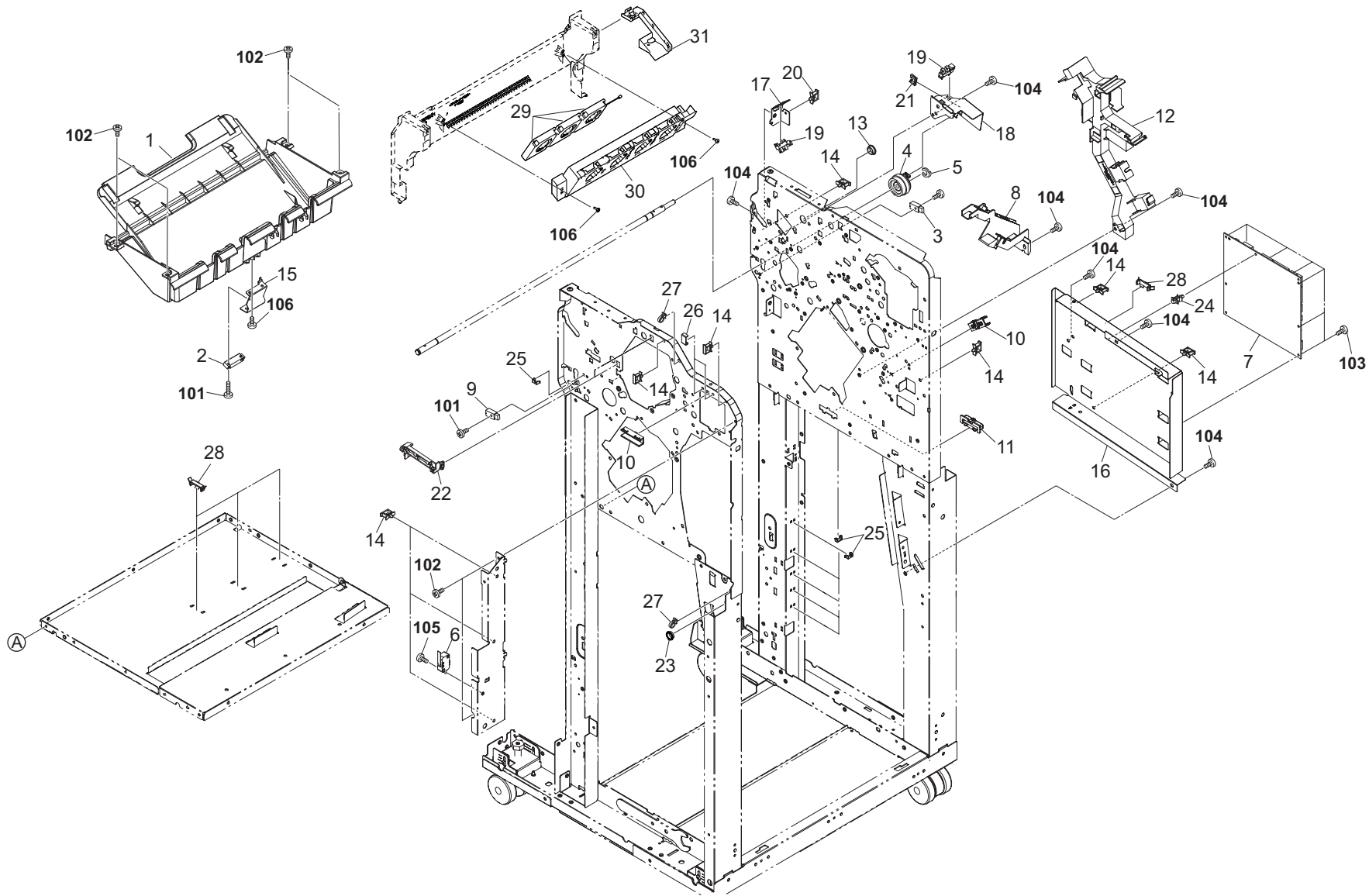


FIG. 8 Electrical Components

3RW

| Ref No. | Part.No. | Description | Notes | Revision | Quantity | | | |
|---------|-----------------|-------------------------------------|-------|----------|----------|-----|-----|-----|
| | | | | | 100 | 120 | 230 | 240 |
| 1 | 303RW04030 | COVER TRAY B EJECT | | | 1 | 1 | 1 | 1 |
| 2 | 303NW94050 | PARTS SENSOR OPT. SP | | | 1 | 1 | 1 | 1 |
| 3 | 303NB94140 | PARTS SENSOR OPT. SP | | | 1 | 1 | 1 | 1 |
| 4 | 302KV94520 | PARTS CLUTCH 50 Z35R SP | | | 1 | 1 | 1 | 1 |
| 5 | 5MVX111DN003 | RING STOPPER /A-49 FEED A4 | | | 1 | 1 | 1 | 1 |
| 6 | 2FB27160 | INTER LOCK SWITCH | | | 1 | 1 | 1 | 1 |
| 7 | 303RW94010 | PARTS PWB DF MAIN ASSY SP | | | 1 | 1 | 1 | 1 |
| 8 | 303NB39021 | GUIDE WIRE REAR LEFT | | | 1 | 1 | 1 | 1 |
| 9 | 303H327460 | SENSOR A,SEPARATION | | | 1 | 1 | 1 | 1 |
| 10 | 302LF39050 | GUIDE WIRE FRONT PWB | | | 2 | 2 | 2 | 2 |
| 11 | 303JY38601 | EDGING FFC | | | 1 | 1 | 1 | 1 |
| 12 | 303RW39010 | GUIDE WIRE REAR RIGHT | | | 1 | 1 | 1 | 1 |
| 13 | 7YZM110001++H01 | ACCESS.BUSHING | | | 1 | 1 | 1 | 1 |
| 14 | 7YZM610001++H01 | ACCESS SADDLE | | | 9 | 9 | 9 | 9 |
| 15 | 303NB24250 | MOUNT LIMIT SENSOR SUB | | | 1 | 1 | 1 | 1 |
| 16 | 303NB39011 | MOUNT PWB | | | 1 | 1 | 1 | 1 |
| 17 | 303NB28210 | MOUNT PI HOME | | | 1 | 1 | 1 | 1 |
| 18 | 303NB28200 | MOUNT PI SET | | | 1 | 1 | 1 | 1 |
| 19 | 303M894260 | PARTS SENSOR OPT SP | | | 2 | 2 | 2 | 2 |
| 20 | 7YZM610007++H01 | ACCESS.SADDLE | | | 1 | 1 | 1 | 1 |
| 21 | 7YZM210014++H01 | ACCESS.EDGING | | | 1 | 1 | 1 | 1 |
| 22 | 303NB39040 | GUIDE WIRE FRONT | | | 2 | 2 | 2 | 2 |
| 23 | 7YZM110003++H01 | ACCESS,BUSHING | | | 1 | 1 | 1 | 1 |
| 24 | 7YZM510007++H01 | ACCESS.SPACER | | | 1 | 1 | 1 | 1 |
| 25 | 302K931080 | WIRE STOPPER | | | 7 | 7 | 7 | 7 |
| 26 | 303LL02330 | HOLDER WIRE D | | | 2 | 2 | 2 | 2 |
| 27 | 7YZM410002++H01 | ACCESS.BAND | | | 2 | 2 | 2 | 2 |
| 28 | 7YZM390015++H01 | ACCESS.CLAMP | | | 4 | 4 | 4 | 4 |
| 29 | 302K994A50 | PARTS FAN COOLING LSU 50 SP | | | 3 | 3 | 3 | 3 |
| 30 | 303RW04040 | HOUSING FAN | | | 1 | 1 | 1 | 1 |
| 31 | 303RW04050 | GUIDE FAN | | | 1 | 1 | 1 | 1 |
| 101 | 7BB700312H | +BIND T.T S SCREW 3X12 SR | | | | | | |
| 102 | 7BB782410H | +TP-FLAT T.T S SCREW 4X10 SR(BLACK) | | | | | | |
| 103 | 7BB700308H | +BIND T.T S SCREW 3X8 SR | | | | | | |
| 104 | 7BB700408H | +BIND T.T S SCREW 4X8 SR | | | | | | |
| 105 | 7BB600314H | +BIND M SCREW 3X14 R | | | | | | |
| 106 | 7BB200308H | +BIND T.T P SCREW 3X8 | | | | | | |

FIG. 9 Wire Section

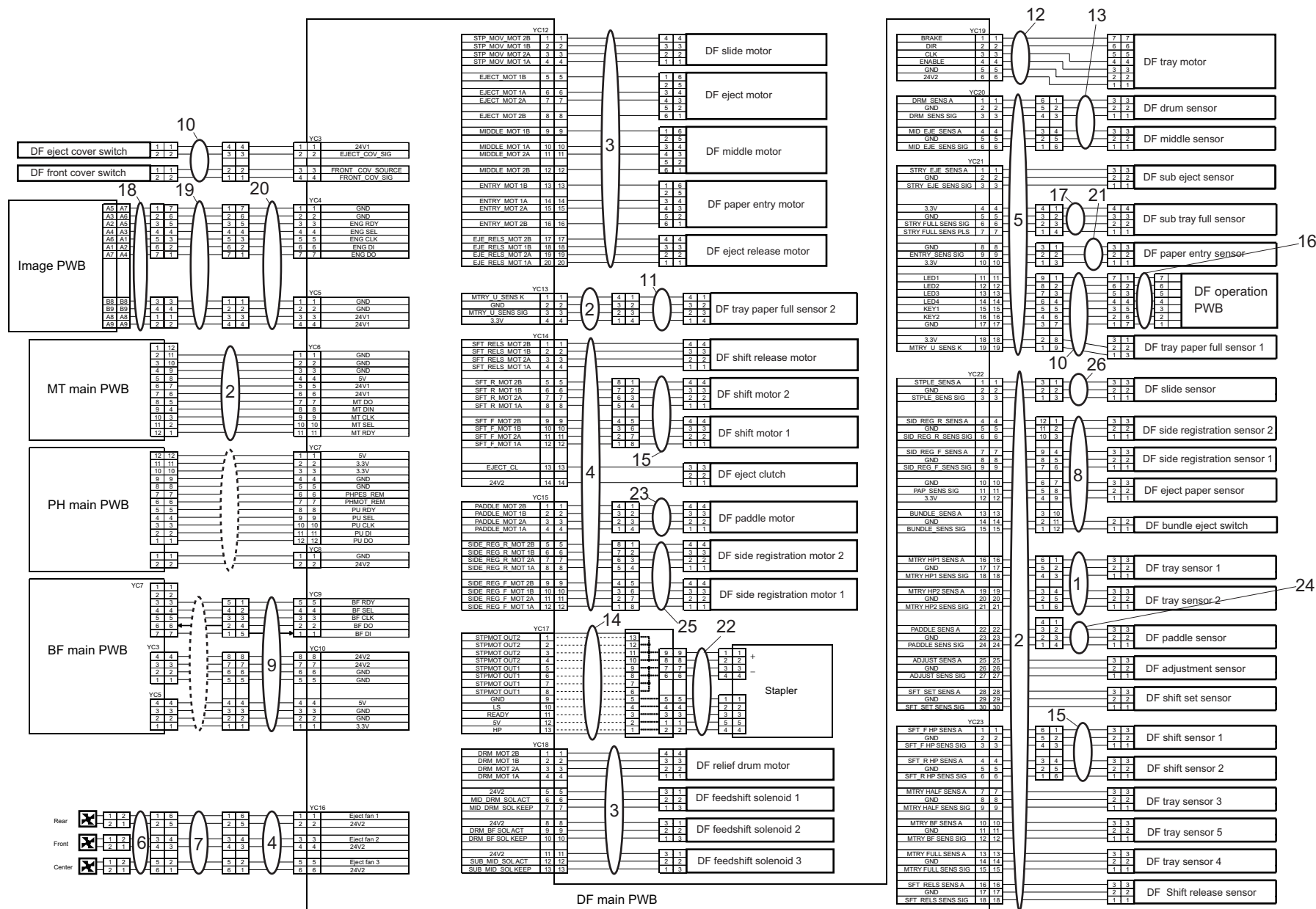


FIG. 9 Wire Section

3RW

| Ref No. | Part.No. | Description | Notes | Revision | Quantity | | | |
|---------|------------|--------------------------------|-------|----------|----------|-----|-----|-----|
| | | | | | 100 | 120 | 230 | 240 |
| 1 | 303RW46010 | WIRE SENSOR 1 | | | 1 | 1 | 1 | 1 |
| 2 | 303RW46020 | WIRE SENSOR 2 | | | 1 | 1 | 1 | 1 |
| 3 | 303RW46030 | WIRE MOTOR 1 | | | 1 | 1 | 1 | 1 |
| 4 | 303RW46040 | WIRE MOTOR 2 | | | 1 | 1 | 1 | 1 |
| 5 | 303RW46050 | WIRE SENSOR 3 | | | 1 | 1 | 1 | 1 |
| 6 | 303RW46060 | WIRE FAN UNIT | | | 1 | 1 | 1 | 1 |
| 7 | 303RW46070 | WIRE FAN JOINT | | | 1 | 1 | 1 | 1 |
| 8 | 303RV46080 | CONN.CORD ASSY MID TRAY SENSOR | | | 1 | 1 | 1 | 1 |
| 9 | 303NB46060 | WIRE BOOKLET | | | 1 | 1 | 1 | 1 |
| 10 | 303NB46070 | WIRE FRONT | | | 1 | 1 | 1 | 1 |
| 11 | 303NB46080 | WIRE MTRAY SURF | | | 1 | 1 | 1 | 1 |
| 12 | 303NB46090 | WIRE MTRAY MOTOR | | | 1 | 1 | 1 | 1 |
| 13 | 303NB46100 | WIRE ME SENSOR | | | 1 | 1 | 1 | 1 |
| 14 | 303NB46110 | WIRE FFC | | | 1 | 1 | 1 | 1 |
| 15 | 303NB46140 | WIRE SHIFT | | | 1 | 1 | 1 | 1 |
| 16 | 303NB46160 | WIRE OPERATION | | | 1 | 1 | 1 | 1 |
| 17 | 303NB46170 | WIRE B-TRAY FULL | | | 1 | 1 | 1 | 1 |
| 18 | 303NB46180 | WIRE INTERFACE A | | | 1 | 1 | 1 | 1 |
| 19 | 303NB46190 | WIRE INTERFACE B | | | 1 | 1 | 1 | 1 |
| 20 | 303NB46200 | WIRE INTERFACE C | | | 1 | 1 | 1 | 1 |
| 21 | 303NC46080 | WIRE CI SENSOR | | | 1 | 1 | 1 | 1 |
| 22 | 303NC46100 | WIRE STAPLER | | | 1 | 1 | 1 | 1 |
| 23 | 303NC46110 | WIRE NCK MOTOR | | | 1 | 1 | 1 | 1 |
| 24 | 303NC46120 | WIRE PADDLE SENSOR | | | 1 | 1 | 1 | 1 |
| 25 | 303NC46150 | WIRE MID TRAY MOTOR | | | 1 | 1 | 1 | 1 |
| 26 | 303NC46160 | WIRE STP HP SENSOR | | | 1 | 1 | 1 | 1 |

• Wire Section indicates all the wires/FFCs containing them in other FIGs.

• Wire Section には全ての電線 /FFC（他 FIG の電線 /FFC 含む）を掲載しています。

FIG. 10 Accessories

3RW-C

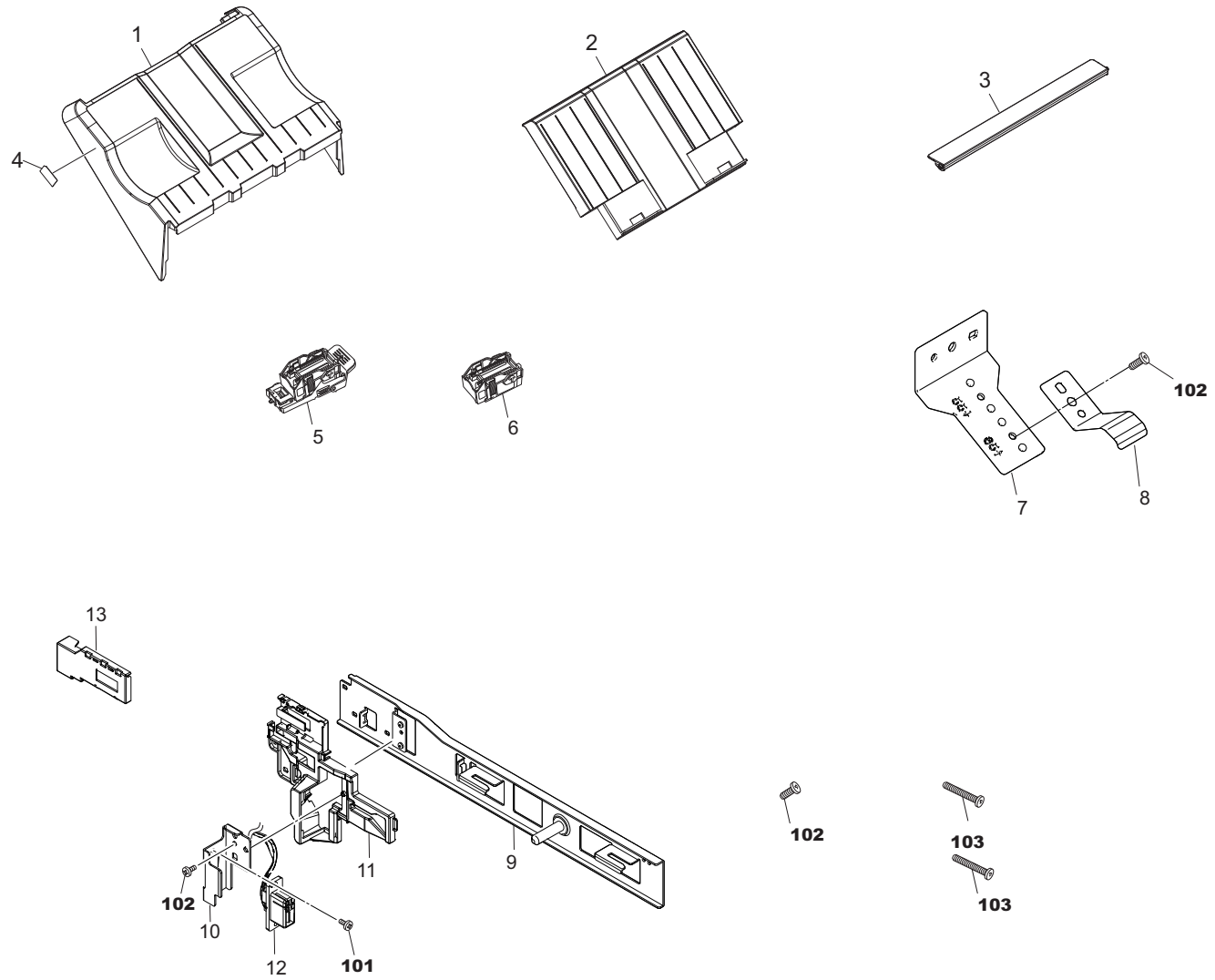


FIG. 10 Accessories

3RW-C

| Ref No. | Part.No. | Description | Notes | Revision | Quantity | | | |
|---------|------------|----------------------------------|--------|-------------|----------|-----|-----|-----|
| | | | | | 100 | 120 | 230 | 240 |
| 1 | 303RW37010 | TRAY MAIN UP | | | 1 | 1 | 1 | 1 |
| 2 | 303RW37020 | TRAY MAIN LOW | | | 1 | 1 | 1 | 1 |
| 3 | 303RW04090 | COVER JUNCTION TRAY C | | | 1 | 1 | 1 | 1 |
| 4 | 303PW34020 | LABEL A | | | 1 | 1 | 1 | 1 |
| 5 | 303NB38200 | CARTRIDGE EH600 | | | 1 | 1 | 1 | 1 |
| 6 | 1903NB0UN0 | SH-12/STAPLE HOLDER | OPTION | | 1 | 1 | 1 | 1 |
| 7 | 303NB02120 | PLATE HOLDER EARTH | | | 1 | 1 | 1 | 1 |
| 8 | 303JY02400 | PLATE EARTH RAIL | | | 1 | 1 | 1 | 1 |
| 9 | 303NB02371 | PLATE JUNCTION D | | Design-chg. | 1 | 1 | 1 | 1 |
| 10 | 303NB02381 | MOUNT DRAWER | | | 1 | 1 | 1 | 1 |
| 11 | 303NB02391 | SLIDER DRAWER | | | 1 | 1 | 1 | 1 |
| 12 | 303NB46180 | WIRE INTERFACE A | | | 1 | 1 | 1 | 1 |
| 13 | 303NB02421 | COVER INTERFACE | | | 1 | 1 | 1 | 1 |
| 101 | 7BB700412H | +BIND T.T S SCREW 4X12 SR | | | | | | |
| 102 | 7BB700408H | +BIND T.T S SCREW 4X8 SR | | | | | | |
| 103 | 7BB780420H | +BIND T.T S SCREW 4X20 SR(BLACK) | | | | | | |

DF-7130

[CONFIDENTIAL]

FOR AUTHORIZED KYOCERA ENGINEERS ONLY. DO NOT DISTRIBUTE TO NON-AUTHORIZED PARTIES.

Items listed in the revision columns are defined as follows.

| Item | Description |
|---------------|---|
| Add | Add a new part |
| Del | Delete a part |
| Design-chg. | A design changed part (Parts number version up) |
| Part No.-chg. | A part number is changed to other one. |
| Quantity-chg. | Change Quantity of parts to use |
| Others | Other changes |
| Correction | Correction |

Revision history

| Rev. | Date | Remarks |
|------|---------------|--|
| 1 | November 2018 | Correction |
| 2 | January 2019 | Design change and Correction |
| 3 | June 2019 | Design change |
| 4 | July 2019 | Design change |
| 5 | March 2020 | Other changes: Add "Staple Section (for New Stapler Base)" |
| 6 | October 2020 | Design change |
| | | |

Symbols in the parts list

- Parts without a Ref.No. in the illustration indicate they are not supplied.
- Parts with "•" are component parts or sub-assemblies of the assembly appearing immediately above them.
- Parts with "••" are component parts or sub-assembly with "•" appearing immediately above them.

[CONFIDENTIAL]

京セラドキュメントソリューションズ株式会社の許可なく、本資料を配布することを禁じます。

改訂欄記載項目の内容は以下の通りです。

| 記載項目 | 内容 |
|---------------|--------------|
| Add | 新規部品の追加 |
| Del | 部品の削除 |
| Design-chg. | 部品の設変(版数アップ) |
| Part No.-chg. | 部品番号の変更 |
| Quantity-chg. | 部品の個数変更 |
| Others | その他の変更 |
| Correction | 誤記訂正 |

改訂履歴

| Rev. | 改訂日 | 備考 |
|------|----------|---|
| 1 | 2018年11月 | 誤記訂正 |
| 2 | 2019年1月 | 設変対応および誤記訂正 |
| 3 | 2019年6月 | 設変対応 |
| 4 | 2019年7月 | 設変対応 |
| 5 | 2020年3月 | その他の変更:"Staple Section (新ステープルベース用)"を追加 |
| 6 | 2020年10月 | 設変対応 |
| | | |

記号の見方

- イラスト中で Ref 番号がない部品は供給できません。
- 部品番号欄の•印は、組立部品の単品部品及び準組立部品を表わします。
- 部品番号欄の••印は、準組立部品の単品部品を表わします。

— CONTENTS —

| | | |
|---------|--|----|
| FIG. 1 | Covers | 2 |
| FIG. 2 | Frames | 4 |
| FIG. 3 | Paper Feed Section 1 (Middle Tray Upper) | 6 |
| FIG. 4 | Paper Feed Section 2 (Middle Tray Upper) | 8 |
| FIG. 5 | Paper Feed Section 3 (Middle Tray Upper) | 10 |
| FIG. 6 | Paper Feed Section 4 (Middle Tray Lower) | 12 |
| FIG. 7 | Conveying Section 1 | 14 |
| FIG. 8 | Conveying Section 2 | 16 |
| FIG. 9 | Conveying Section 3 | 18 |
| FIG. 10 | Conveying Section 4 | 20 |
| FIG. 11 | Staple Section (for Old Stapler Base) | 22 |
| FIG. 12 | Staple Section (for New Stapler Base) 1 | 25 |
| FIG. 13 | Staple Section (for New Stapler Base) 2 | 27 |
| FIG. 14 | Exit Section 1 | 29 |
| FIG. 15 | Exit Section 2 | 31 |
| FIG. 16 | Exit Section 3 | 33 |
| FIG. 17 | Exit Section 4 (Bundle) | 35 |
| FIG. 18 | Exit Section 5 (Main Tray) | 37 |
| FIG. 19 | Exit Section 6 (Main Tray) | 39 |
| FIG. 20 | Drive Section | 41 |
| FIG. 21 | Cooling Section | 43 |
| FIG. 22 | Electrical Components | 45 |
| FIG. 23 | Accessories | 47 |

WIRE

| | |
|-----------------------------------|----|
| Wire Section (EN) | 49 |
| Wire. 1 Wire Section (EN) 1 | 49 |
| Wire. 2 Wire Section (EN) 2 | 51 |
| Wire. 3 Wire Section (EN) 3 | 53 |
| Wire Section (JA) | 55 |
| Wire. 1 Wire Section (JA) 1 | 55 |
| Wire. 2 Wire Section (JA) 2 | 57 |
| Wire. 3 Wire Section (JA) 3 | 59 |

FIG. 1 Covers

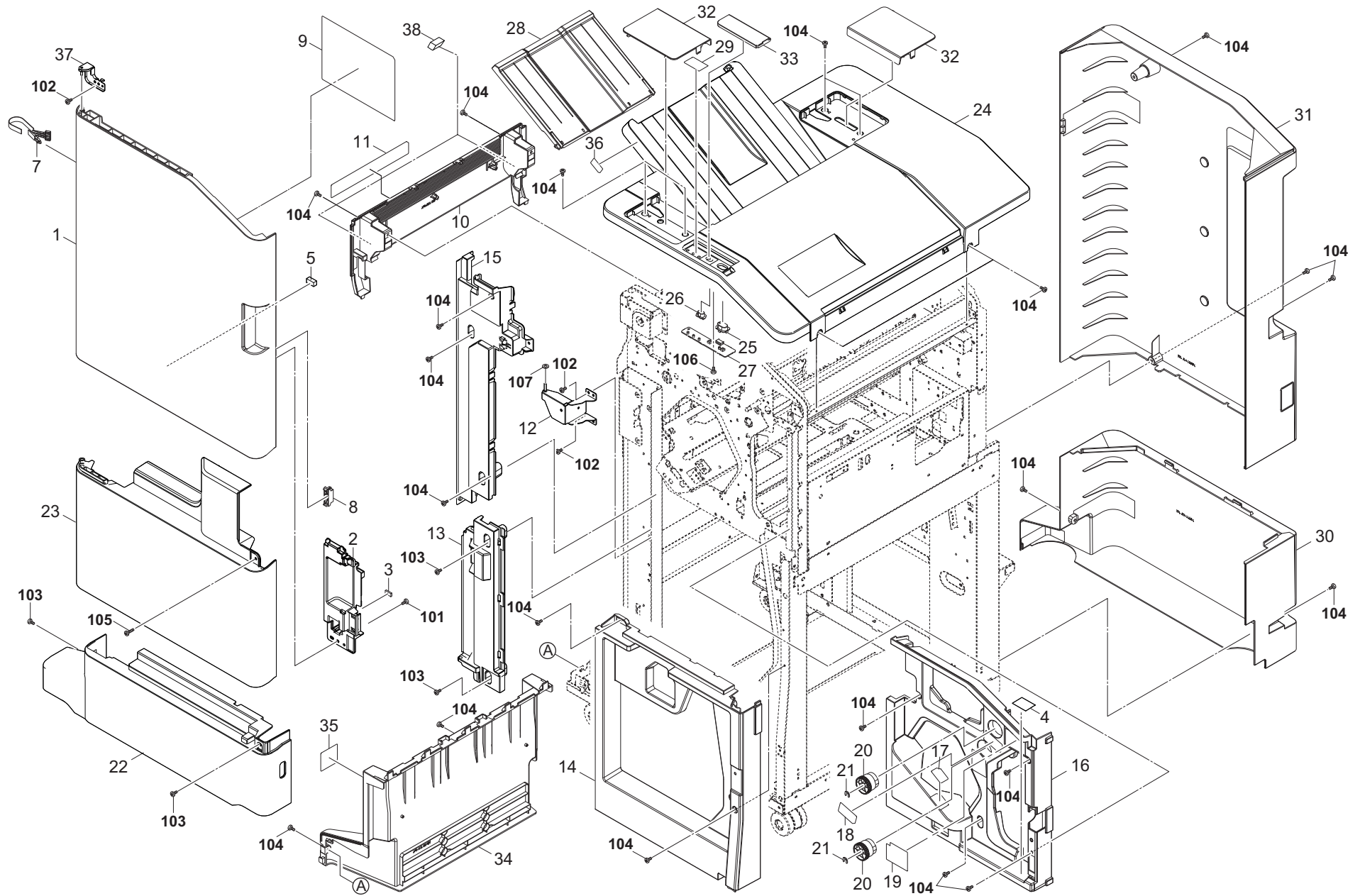


FIG. 1 Covers

3SW

| Ref No. | Part.No. | Description | Notes | Revision | Quantity | | | |
|---------|------------|-------------------------------------|-------|----------|----------|-----|-----|-----|
| | | | | | 100 | 120 | 230 | 240 |
| 1 | 303SW04090 | COVER FRONT UPPER | | | 1 | 1 | 1 | 1 |
| 2 | 303SW04020 | COVER HANDLE | | | 1 | 1 | 1 | 1 |
| 3 | 63213320 | CUSHION,ORIGINAL COLLECTION | | | 1 | 1 | 1 | 1 |
| 4 | 303S804230 | FILM COVER | | | 1 | 1 | 1 | 1 |
| 5 | 303SW04140 | CUSHION DISPOSAL TANK | | | 1 | 1 | 1 | 1 |
| 7 | 302R404200 | STRAP FRONT COVER | | | 1 | 1 | 1 | 1 |
| 8 | 302H004660 | MAGNET CATCH | | | 1 | 1 | 1 | 1 |
| 9 | 303S834010 | LABEL OPERATION | | | 1 | 1 | 1 | 1 |
| 10 | 303S804130 | COVER MAIN EXIT | | | 1 | 1 | 1 | 1 |
| 11 | 303S834030 | LABEL MANUAL STAPLER | | | 1 | 1 | 1 | 1 |
| 12 | 303SW04070 | FULCRUM-PLATE COVER MIDDLE | | | 1 | 1 | 1 | 1 |
| 13 | 303SW04050 | COVER FRONT LEFT LOWER | | | 1 | 1 | 1 | 1 |
| 14 | 303SW04110 | COVER INNER LOWER | | | 1 | 1 | 1 | 1 |
| 15 | 303SW04040 | COVER FRONT LEFT UPPER | | | 1 | 1 | 1 | 1 |
| 16 | 303SW04100 | COVER INNER UPPER | | | 1 | 1 | 1 | 1 |
| 17 | 303NB34240 | LABEL A STAPLER | | | 1 | 1 | 1 | 1 |
| 18 | 303S834050 | LABEL D3-D5 | | | 1 | 1 | 1 | 1 |
| 19 | 303NB34250 | LABEL D1 | | | 1 | 1 | 1 | 1 |
| 20 | 303NB04200 | HANDLE JAM REMOVAL | | | 2 | 2 | 2 | 2 |
| 21 | 2BC06910 | STOPPER 6 | | | 2 | 2 | 2 | 2 |
| 22 | 303SW04030 | COVER FRONT LOWER | | | 1 | 1 | 1 | 1 |
| 23 | 303SW04080 | COVER FRONT MIDDLE | | | 1 | 1 | 1 | 1 |
| 24 | 303SW04010 | COVER TOP | | | 1 | 1 | 1 | 1 |
| 25 | 303PG04090 | KEY STAPLER | | | 1 | 1 | 1 | 1 |
| 26 | 303NB04240 | KEY SELECT | | | 1 | 1 | 1 | 1 |
| 27 | 303S894030 | PARTS PWB OPERATION ASSY(SP) | | | 1 | 1 | 1 | 1 |
| 28 | 303RW04060 | TRAY B SIDE | | | 1 | 1 | 1 | 1 |
| 29 | 303S834040 | SHEET OPERATION | | | 1 | 1 | 1 | 1 |
| 30 | 303S804070 | COVER REAR LOWER | | | 1 | 1 | 1 | 1 |
| 31 | 303S804060 | COVER REAR UPPER | | | 1 | 1 | 1 | 1 |
| 32 | 303S804150 | LID TOP | | | 2 | 2 | 2 | 2 |
| 33 | 303PW04090 | COVER OPERATION | | | 1 | 1 | 1 | 1 |
| 34 | 303S804080 | COVER LEFT LOWER | | | 1 | 1 | 1 | 1 |
| 35 | 303S834020 | LABEL CAUTION MAIN TRAY | | | 1 | 1 | 1 | 1 |
| 36 | 303RW34010 | LABEL B | | | 1 | 1 | 1 | 1 |
| 37 | 303SW04060 | FULCRUM-PLATE COVER UPPER | | | 1 | 1 | 1 | 1 |
| 38 | 303S828920 | CUSHION CURSOR | | | 2 | 2 | 2 | 2 |
| 101 | 7BB200410H | +BIND T.T P SCREW 4X10 | | | | | | |
| 102 | 7BB700408H | +BIND T.T S SCREW 4X8 SR | | | | | | |
| 103 | 7BB702410H | +TP-FLAT T.T S SCREW 4X10 SR | | | | | | |
| 104 | 7BB782410H | +TP-FLAT T.T S SCREW 4X10 SR(BLACK) | | | | | | |
| 105 | 7BB700430H | +BIND T.T S SCREW 4X30 SR | | | | | | |
| 106 | 7BB200308H | +BIND T.T P SCREW 3X8 | | | | | | |
| 107 | C2804100 | POLYESTER SLIDER WASHER 4.1X10X0.5T | | | | | | |

FIG. 2 Frames

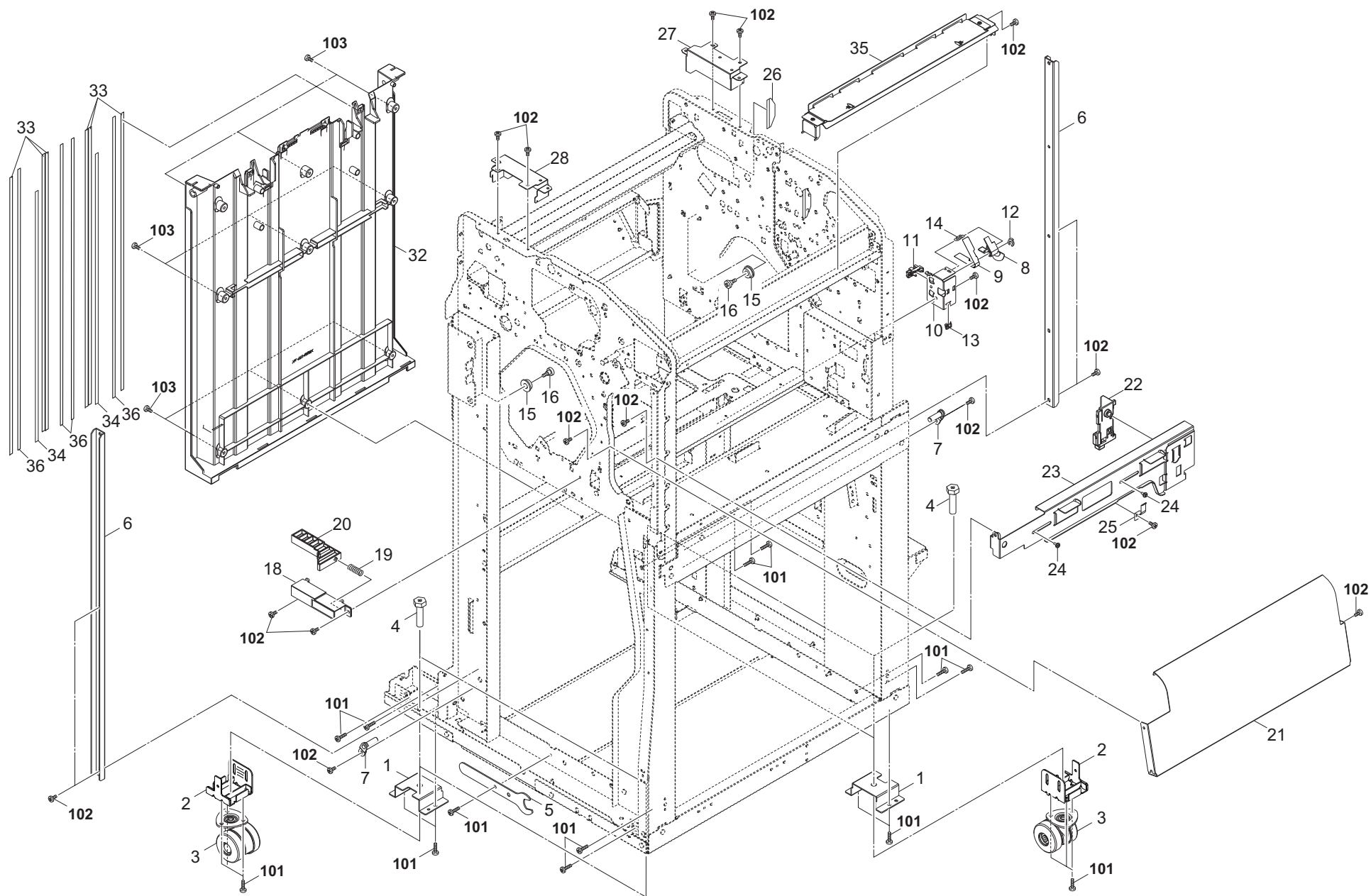


FIG. 2 Frames

| Ref No. | Part.No. | Description | Notes | Revision | Quantity | | | |
|---------|-----------------|---|-------|----------|----------|-----|-----|-----|
| | | | | | 100 | 120 | 230 | 240 |
| 1 | 303NB02220 | PLATE HOLDER CASTER | | | 4 | 4 | 4 | 4 |
| 2 | 303S802220 | PLATE CASTER | | | 4 | 4 | 4 | 4 |
| 3 | 302N202011 | CASTER 100 CN | | | 4 | 4 | 4 | 4 |
| 4 | 303LT03140 | BOLT M10L40 | | | 4 | 4 | 4 | 4 |
| 5 | 303LT03130 | SPANNER | | | 1 | 1 | 1 | 1 |
| 6 | 303NB37180 | RAIL MAIN TRAY | | | 2 | 2 | 2 | 2 |
| 7 | 303ND02360 | PIN HOOK BOOKLET | | | 2 | 2 | 2 | 2 |
| 8 | 3AK20150 | DETECTION PLATE,MAIN TRAY SENSOR MIDDLE | | | 1 | 1 | 1 | 1 |
| 9 | 303S837240 | FILM MAIN TRAY SENSOR | | | 1 | 1 | 1 | 1 |
| 10 | 303S837130 | MOUNT MAIN TRAY SENSOR MIDDLE | | | 1 | 1 | 1 | 1 |
| 11 | 302P794010 | PARTS SENSOR OPT. SP | | | 1 | 1 | 1 | 1 |
| 12 | 302LF12410 | STOPPER 3 | | | 1 | 1 | 1 | 1 |
| 13 | 7YZM210014++H01 | ACCESS.EDGING | | | 1 | 1 | 1 | 1 |
| 14 | 3AK20250 | SPRING,MAIN TRAY SENSOR MIDDLE | | | 1 | 1 | 1 | 1 |
| 15 | 3AK20200 | PULLEY,MAIN TRAY | | | 4 | 4 | 4 | 4 |
| 16 | 303NB37130 | PIN RAIL | | | 4 | 4 | 4 | 4 |
| 18 | 303S838310 | RAIL STAPLER LOCK | | | 1 | 1 | 1 | 1 |
| 19 | 302LV08120 | SPRING BOTTOM MPF L | | | 1 | 1 | 1 | 1 |
| 20 | 303S838320 | HOOK STAPLER LOCK | | | 1 | 1 | 1 | 1 |
| 21 | 303S827020 | GUIDE BOOKLET LEFT | | | 1 | 1 | 1 | 1 |
| 22 | 303NB02361 | GUIDE DRAWER | | | 1 | 1 | 1 | 1 |
| 23 | 303NB02341 | PLATE LOCK JUNCTION D | | | 1 | 1 | 1 | 1 |
| 24 | 3CZ02230 | PIN,HOOK FULCRUM | | | 2 | 2 | 2 | 2 |
| 25 | 303NB02131 | SPRING-PLATE JUNCTION | | | 1 | 1 | 1 | 1 |
| 26 | 303J124562 | SHEET GUIDE REGIST | | | 1 | 1 | 1 | 1 |
| 27 | 303NB02240 | MOUNT MAIL REAR | | | 1 | 1 | 1 | 1 |
| 28 | 303NB02230 | MOUNT MAIL FRONT | | | 1 | 1 | 1 | 1 |
| 32 | 303S837050 | PARTITION FINISHER | | | 1 | 1 | 1 | 1 |
| 33 | 303S837140 | FILM PARTITION A | | | 6 | 6 | 6 | 6 |
| 34 | 303S837150 | FILM PARTITION B | | | 2 | 2 | 2 | 2 |
| 35 | 303NB07040 | GUIDE PUNCH | | | 1 | 1 | 1 | 1 |
| 36 | 303NB02200 | FILM PARTITION | | | 4 | 4 | 4 | 4 |
| 101 | 7BB700412H | +BIND T.T S SCREW 4X12 SR | | | | | | |
| 102 | 7BB700408H | +BIND T.T S SCREW 4X8 SR | | | | | | |
| 103 | 7BB782308H | +TP-FLAT T.T S SCREW 3X8 SR(BLACK) | | | | | | |

FIG. 3 Paper Feed Section 1 (Middle Tray Upper)

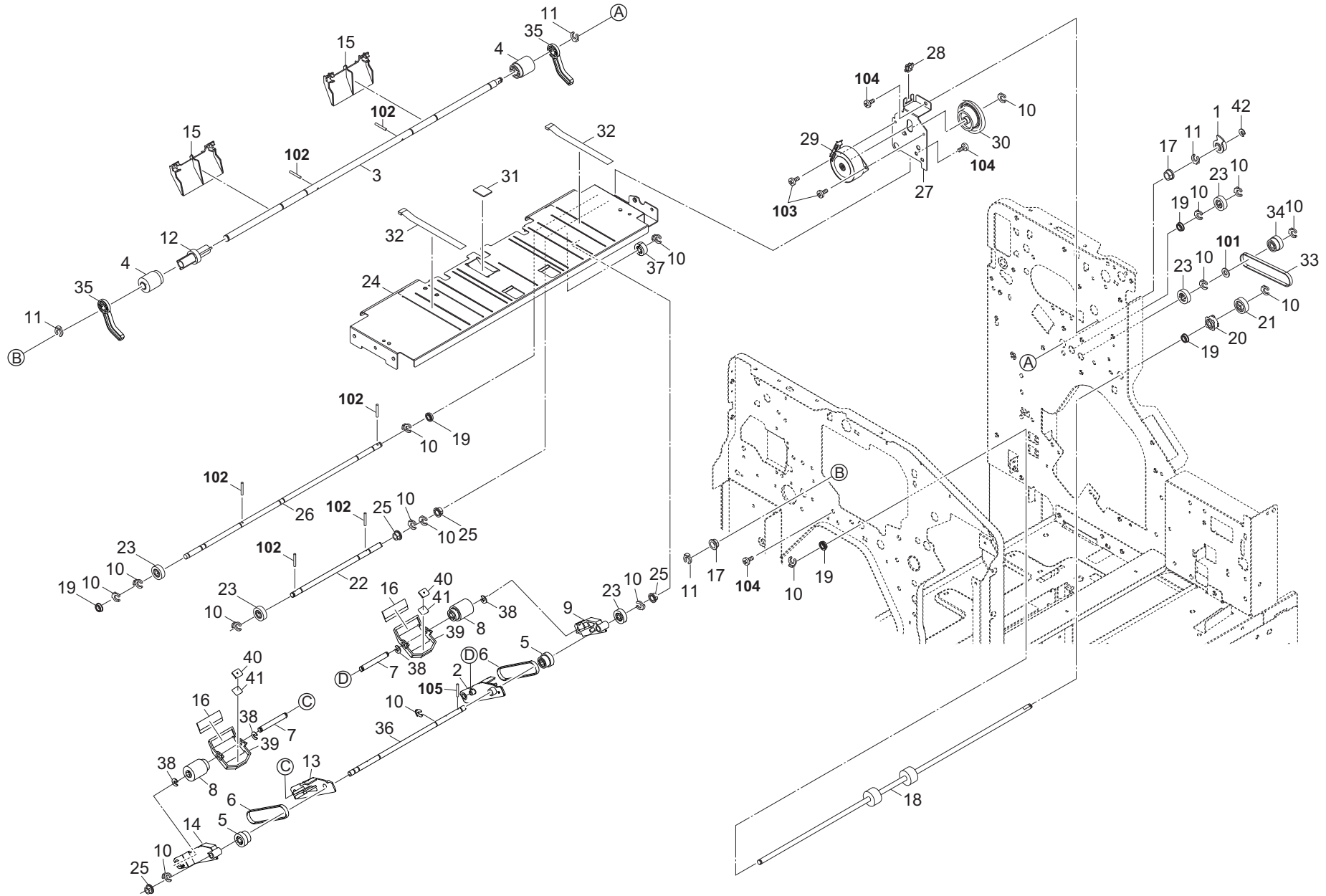


FIG. 3 Paper Feed Section 1 (Middle Tray Upper)

| Ref No. | Part.No. | Description | Notes | Revision | Quantity | | | |
|---------|-----------------|----------------------------------|-------|----------|----------|-----|-----|-----|
| | | | | | 100 | 120 | 230 | 240 |
| 1 | 303S836370 | GEAR Z28L ACTUATOR | | | 1 | 1 | 1 | 1 |
| 2 | 303S836830 | HOLDER C | | | 1 | 1 | 1 | 1 |
| 3 | 303S836330 | SHAFT MIDDLE LOWER | | | 1 | 1 | 1 | 1 |
| 4 | 303S894110 | PARTS PULLEY PAPER FEED B(SP) | | | 2 | 2 | 2 | 2 |
| 5 | 303S836390 | GEAR Z20S-P24 | | | 2 | 2 | 2 | 2 |
| 6 | 303M407090 | BELT 172 LF | | | 2 | 2 | 2 | 2 |
| 7 | 303S836860 | SHAFT HOLDER MIDDLE B | | | 2 | 2 | 2 | 2 |
| 8 | 303S894130 | PARTS PULLEY FEED(SP) | | | 2 | 2 | 2 | 2 |
| 9 | 303S836840 | HOLDER D | | | 1 | 1 | 1 | 1 |
| 10 | 5MVX111DN003 | RING STOPPER /A-49 FEED A4 | | | 17 | 17 | 17 | 17 |
| 11 | 2BC06910 | STOPPER 6 | | | 4 | 4 | 4 | 4 |
| 12 | 303S836350 | GEAR 20 MIDDLE ROLLER | | | 1 | 1 | 1 | 1 |
| 13 | 303S836820 | HOLDER B | | | 1 | 1 | 1 | 1 |
| 14 | 303S836810 | HOLDER A | | | 1 | 1 | 1 | 1 |
| 15 | 303S836340 | GUIDE MIDDLE ROLLER | | | 2 | 2 | 2 | 2 |
| 16 | 303S836870 | FILM GUIDE HOLDER | | | 2 | 2 | 2 | 2 |
| 17 | 28107310 | BUSH 8 | | | 2 | 2 | 2 | 2 |
| 18 | 303S894100 | PARTS ROLLER MIDDLE FEED LOW(SP) | | | 1 | 1 | 1 | 1 |
| 19 | 7BE006103R31H01 | BEARING MF106ZZ | | | 5 | 5 | 5 | 5 |
| 20 | 302ND29330 | PULLEY P26-S2M | | | 1 | 1 | 1 | 1 |
| 21 | 303S836300 | GEAR Z35L | | | 1 | 1 | 1 | 1 |
| 22 | 303S836400 | SHAFT MIDDLE HOLDER DRIVE | | | 1 | 1 | 1 | 1 |
| 23 | 3H622320 | GEAR 20 LIFT | | | 5 | 5 | 5 | 5 |
| 24 | 303S836560 | GUIDE CONVEYING LOW | | | 1 | 1 | 1 | 1 |
| 25 | 302K324450 | BUSH 6 | | | 4 | 4 | 4 | 4 |
| 26 | 303S836460 | SHAFT MIDDLE DRIVE | | | 1 | 1 | 1 | 1 |
| 27 | 303S836480 | MOUNT HOLDER MIDDLE DRIVE | | | 1 | 1 | 1 | 1 |
| 28 | 7YZM210014++H01 | ACCESS.EDGING | | | 1 | 1 | 1 | 1 |
| 29 | 302HN44100 | MOTOR REVERSE | | | 1 | 1 | 1 | 1 |
| 30 | 303S836490 | GEAR Z50S-Z50R | | | 1 | 1 | 1 | 1 |
| 31 | 3H610240 | FELT DUPLEX | | | 1 | 1 | 1 | 1 |
| 32 | 303S836630 | SHEET CONVEYING GUIDE | | | 2 | 2 | 2 | 2 |
| 33 | 303JY36560 | BELT MIDDLE TRAY MOTOR | | | 1 | 1 | 1 | 1 |
| 34 | 303S836680 | GEAR Z20S-P26 | | | 1 | 1 | 1 | 1 |
| 35 | 303S836800 | LEVER HOLDER | | | 2 | 2 | 2 | 2 |
| 36 | 303S836790 | SHAFT HOLDER DRIVE | | | 1 | 1 | 1 | 1 |
| 37 | 302NH24640 | GEAR Z18S IDLE | | | 1 | 1 | 1 | 1 |
| 38 | 302HG12310 | CUT WASHER 4 | | | 4 | 4 | 4 | 4 |
| 39 | 303S836850 | GUIDE HOLDER LOW | | | 2 | 2 | 2 | 2 |
| 40 | 302K308500 | WEIGHT PAD | | | 2 | 2 | 2 | 2 |
| 41 | 302K308510 | TAPE WEIGHT | | | 2 | 2 | 2 | 2 |
| 42 | 302FB09830 | CUT WASHER 4 | | | 1 | 1 | 1 | 1 |
| 101 | 7BC06062A0A0H01 | POLY SLIDER WASHER 6.2X10X1.0T | | | | | | |
| 102 | 7BP512012B0CH01 | PARALLEL PIN 2.0X12 | | | | | | |
| 103 | 7BB700308H | +BIND T.T S SCREW 3X8 SR | | | | | | |
| 104 | 7BB700408H | +BIND T.T S SCREW 4X8 SR | | | | | | |
| 105 | 7BP512010B0CH01 | PARALLEL PIN 2.0X10 | | | | | | |

FIG. 4 Paper Feed Section 2 (Middle Tray Upper)

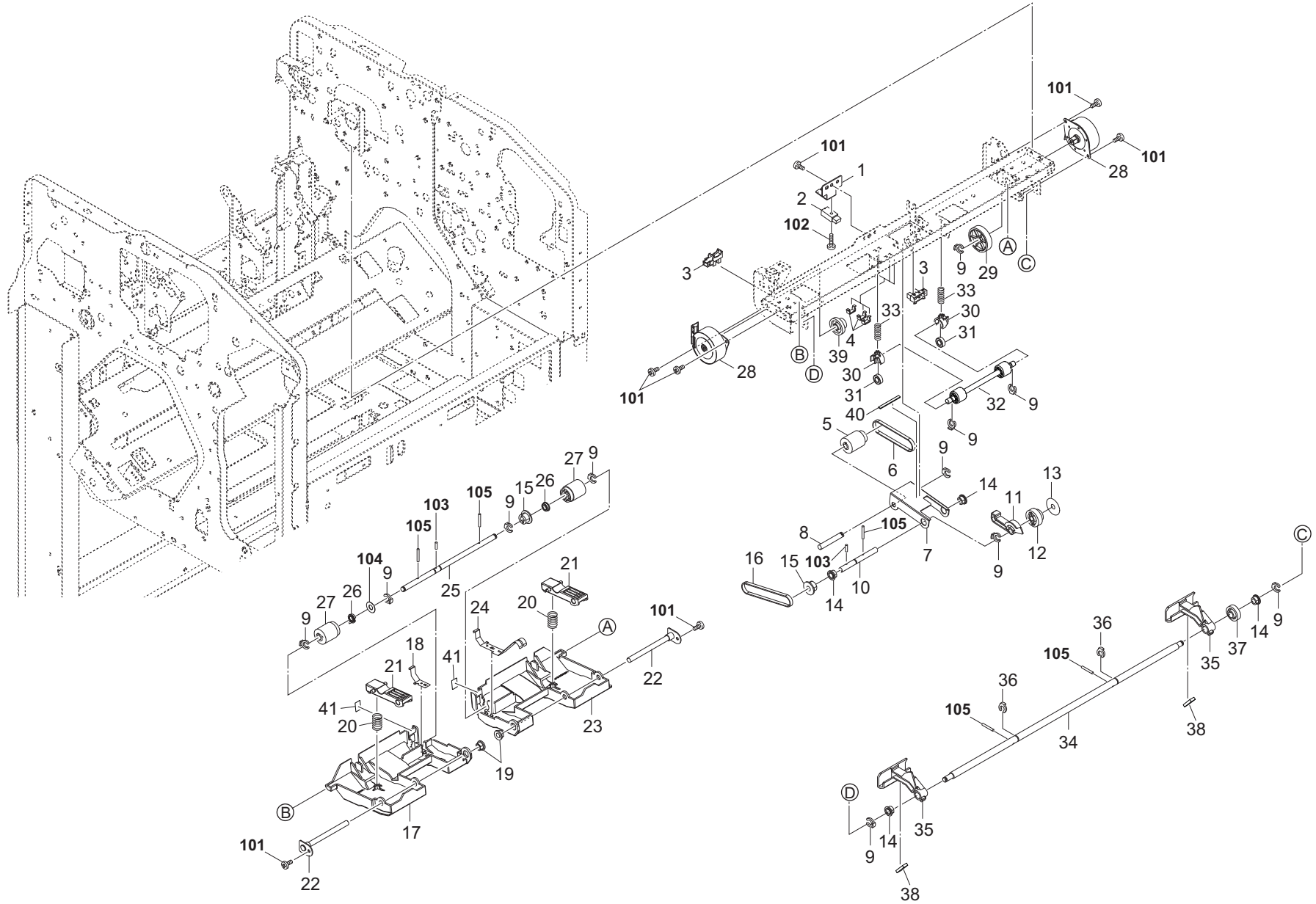


FIG. 4 Paper Feed Section 2 (Middle Tray Upper)

| Ref No. | Part.No. | Description | Notes | Revision | Quantity | | | |
|---------|-----------------|-----------------------------|-------|----------|----------|-----|-----|-----|
| | | | | | 100 | 120 | 230 | 240 |
| 1 | 303S836640 | PLATE SENSOR C | | | 1 | 1 | 1 | 1 |
| 2 | 303H327460 | SENSOR A,SEPARATION | | | 1 | 1 | 1 | 1 |
| 3 | 302P794010 | PARTS SENSOR OPT. SP | | | 2 | 2 | 2 | 2 |
| 4 | 302K931080 | WIRE STOPPER | | | 3 | 3 | 3 | 3 |
| 5 | 303S894130 | PARTS PULLEY FEED(SP) | | | 1 | 1 | 1 | 1 |
| 6 | 3HL07190 | BELT 150S2M,PAPER FEED | | | 1 | 1 | 1 | 1 |
| 7 | 303S836200 | FRAME PULL | | | 1 | 1 | 1 | 1 |
| 8 | 303S836320 | SHAFT PULL ROLLER | | | 1 | 1 | 1 | 1 |
| 9 | 5MVX111DN003 | RING STOPPER /A-49 FEED A4 | | | 11 | 11 | 11 | 11 |
| 10 | 303S836210 | SHAFT MIDDLE TRAY | | | 1 | 1 | 1 | 1 |
| 11 | 303S836230 | LEVER PICKUP | | | 1 | 1 | 1 | 1 |
| 12 | 303S836220 | GEAR Z25S-P24 | | | 1 | 1 | 1 | 1 |
| 13 | 302FG22110 | COLLAR BYPASS BELT | | | 1 | 1 | 1 | 1 |
| 14 | 302K324450 | BUSH 6 | | | 4 | 4 | 4 | 4 |
| 15 | 303M407220 | PULLEY 20 LF | | | 2 | 2 | 2 | 2 |
| 16 | 303H307210 | BELT MIDDLE TRAY MOTOR | | | 1 | 1 | 1 | 1 |
| 17 | 303S836010 | GUIDE UPPER F | | | 1 | 1 | 1 | 1 |
| 18 | 303S836650 | PLATE EARTH B | | | 1 | 1 | 1 | 1 |
| 19 | 302H024370 | BUSH 6 EW | | | 2 | 2 | 2 | 2 |
| 20 | 303PX36580 | SPRING EXIT PULLEY | | | 2 | 2 | 2 | 2 |
| 21 | 303S836110 | LEVER UPPER GUIDE | | | 2 | 2 | 2 | 2 |
| 22 | 303S836140 | PIN UPPER GUIDE | | | 2 | 2 | 2 | 2 |
| 23 | 303S836020 | GUIDE UPPER R | | | 1 | 1 | 1 | 1 |
| 24 | 303S836610 | PLATE EARTH EXIT | | | 1 | 1 | 1 | 1 |
| 25 | 303S836250 | SHAFT EXIT UPPER | | | 1 | 1 | 1 | 1 |
| 26 | 7BE006103R31H01 | BEARING MF106ZZ | | | 2 | 2 | 2 | 2 |
| 27 | 303S894090 | PARTS PULLEY PAPER FEED(SP) | | | 2 | 2 | 2 | 2 |
| 28 | 302HN44100 | MOTOR REVERSE | | | 2 | 2 | 2 | 2 |
| 29 | 303NB37050 | GEAR Z60R | | | 1 | 1 | 1 | 1 |
| 30 | 303PW07110 | HOLDER BEARING | | | 2 | 2 | 2 | 2 |
| 31 | 7BE006124431H01 | BEARING MR126ZZ | | | 2 | 2 | 2 | 2 |
| 32 | 303S836260 | ROLLER MIDDLE UPPER | | | 1 | 1 | 1 | 1 |
| 33 | 303S836600 | SPRING-C MIDDLE | | | 2 | 2 | 2 | 2 |
| 34 | 303S836080 | SHAFT LEVER UPPER | | | 1 | 1 | 1 | 1 |
| 35 | 303S836090 | LEVER UPPER | | | 2 | 2 | 2 | 2 |
| 36 | 2BC06910 | STOPPER 6 | | | 2 | 2 | 2 | 2 |
| 37 | 303NB31020 | GEAR Z35L | | | 1 | 1 | 1 | 1 |
| 38 | 303K529020 | CUSHION LEVER PRESSURE | | | 2 | 2 | 2 | 2 |
| 39 | 303PX31110 | GEAR Z40R Z14S | | | 1 | 1 | 1 | 1 |
| 40 | 302P105080 | CUSHION LCD | | | 1 | 1 | 1 | 1 |
| 41 | 302FZ22760 | STOPPER EARTH MIDDLE | | | 2 | 2 | 2 | 2 |
| 101 | 7BB700308H | +BIND T.T S SCREW 3X8 SR | | | | | | |
| 102 | 7BB700316H | +BIND T.T S SCREW 3X16 SR | | | | | | |
| 103 | 7BP512008B0CH01 | PARALLEL PIN 2.0X8 | | | | | | |
| 104 | C2893140 | SHIM 6.2X14X0.25T | | | | | | |
| 105 | 7BP512014B0CH01 | PARALLEL PIN 2.0X14 | | | | | | |

FIG. 5 Paper Feed Section 3 (Middle Tray Upper)

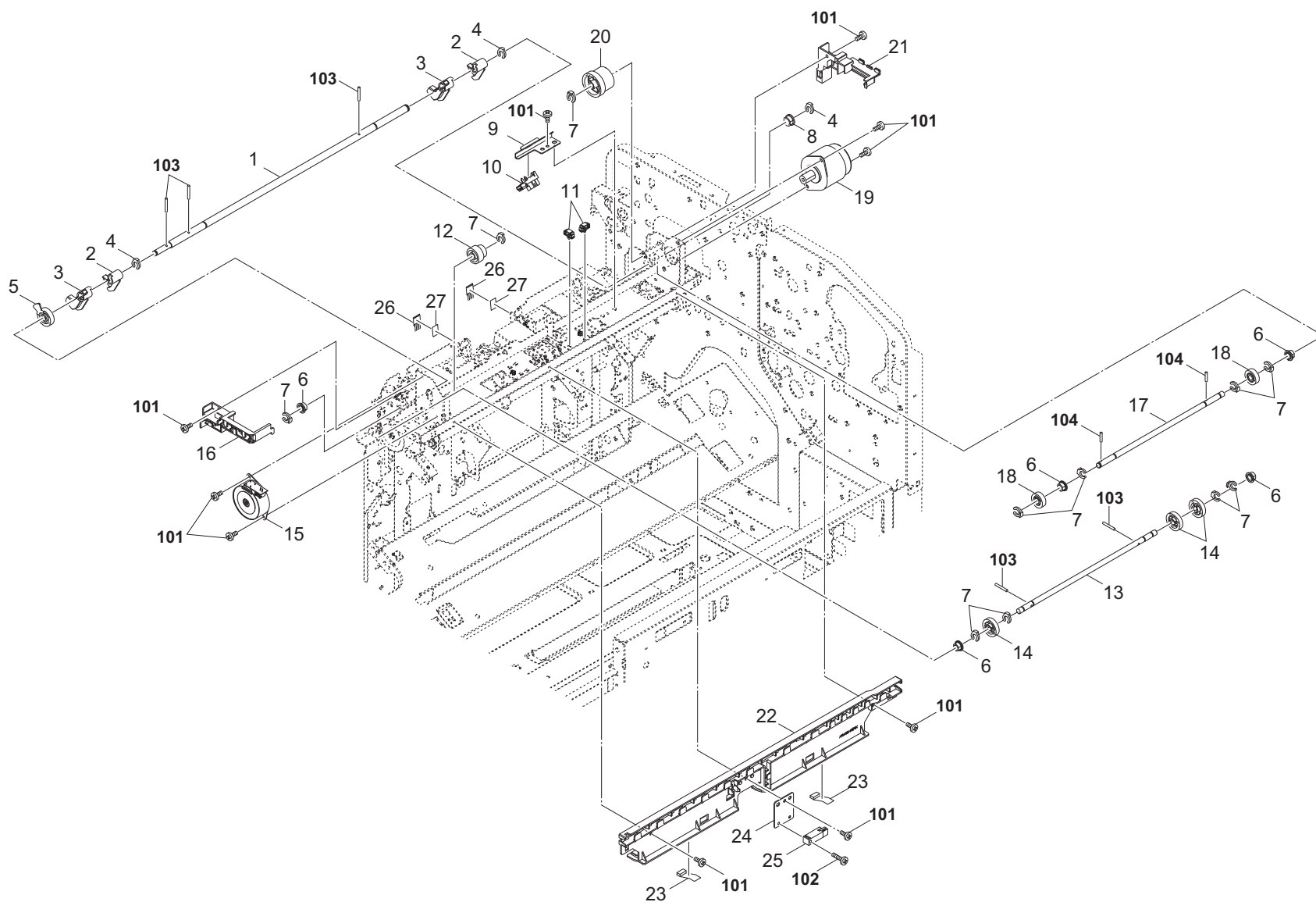


FIG. 5 Paper Feed Section 3 (Middle Tray Upper)

3SW

| Ref No. | Part.No. | Description | Notes | Revision | Quantity | | | |
|---------|-----------------|-----------------------------|-------|----------|----------|-----|-----|-----|
| | | | | | 100 | 120 | 230 | 240 |
| 1 | 303S836120 | SHAFT UPPER GUIDE | | | 1 | 1 | 1 | 1 |
| 2 | 303S836730 | LEVER PRESS B | | | 2 | 2 | 2 | 2 |
| 3 | 303S836130 | LEVER PRESS | | | 2 | 2 | 2 | 2 |
| 4 | 2BC06910 | STOPPER 6 | | | 3 | 3 | 3 | 3 |
| 5 | 303S836690 | GEAR Z24S PULSE | | | 1 | 1 | 1 | 1 |
| 6 | 302K324450 | BUSH 6 | | | 5 | 5 | 5 | 5 |
| 7 | 5MVX111DN003 | RING STOPPER /A-49 FEED A4 | | | 11 | 11 | 11 | 11 |
| 8 | 28107310 | BUSH 8 | | | 1 | 1 | 1 | 1 |
| 9 | 303S836100 | PLATE SENSOR | | | 1 | 1 | 1 | 1 |
| 10 | 302P794010 | PARTS SENSOR OPT. SP | | | 1 | 1 | 1 | 1 |
| 11 | 7YZM610007++H01 | ACCESS.SADDLE | | | 2 | 2 | 2 | 2 |
| 12 | 303S836270 | GEAR Z35R-Z16S | | | 1 | 1 | 1 | 1 |
| 13 | 303S836150 | SHAFT PULL LEVER | | | 1 | 1 | 1 | 1 |
| 14 | 2AL06110 | GEAR 25 | | | 3 | 3 | 3 | 3 |
| 15 | 302HN44100 | MOTOR REVERSE | | | 1 | 1 | 1 | 1 |
| 16 | 303S836310 | GUIDE WIRE B | | | 1 | 1 | 1 | 1 |
| 17 | 303S836160 | SHAFT PULL DRIVE | | | 1 | 1 | 1 | 1 |
| 18 | 3H622320 | GEAR 20 LIFT | | | 2 | 2 | 2 | 2 |
| 19 | 303RL94030 | PARTS MOTOR-BL INNER W20 SP | | | 1 | 1 | 1 | 1 |
| 20 | 303S836280 | GEAR Z35S-Z49R | | | 1 | 1 | 1 | 1 |
| 21 | 303S836580 | GUIDE WIRE C | | | 1 | 1 | 1 | 1 |
| 22 | 303S836170 | GUIDE WIRE A | | | 1 | 1 | 1 | 1 |
| 23 | 303S836720 | SHEET CONVEYING GUIDE B | | | 2 | 2 | 2 | 2 |
| 24 | 303S836190 | MOUNT SENSOR | | | 1 | 1 | 1 | 1 |
| 25 | 303NW94040 | PARTS SENSOR OPT. SP | | | 1 | 1 | 1 | 1 |
| 26 | 303JY37220 | STATIC ELIMINATOR CURSOR | | | 2 | 2 | 2 | 2 |
| 27 | 302FZ22760 | STOPPER EARTH MIDDLE | | | 2 | 2 | 2 | 2 |
| 101 | 7BB700308H | +BIND T.T S SCREW 3X8 SR | | | | | | |
| 102 | 7BB700316H | +BIND T.T S SCREW 3X16 SR | | | | | | |
| 103 | 7BP512014B0CH01 | PARALLEL PIN 2.0X14 | | | | | | |
| 104 | 7BP512010B0CH01 | PARALLEL PIN 2.0X10 | | | | | | |

FIG. 6 Paper Feed Section 4 (Middle Tray Lower)

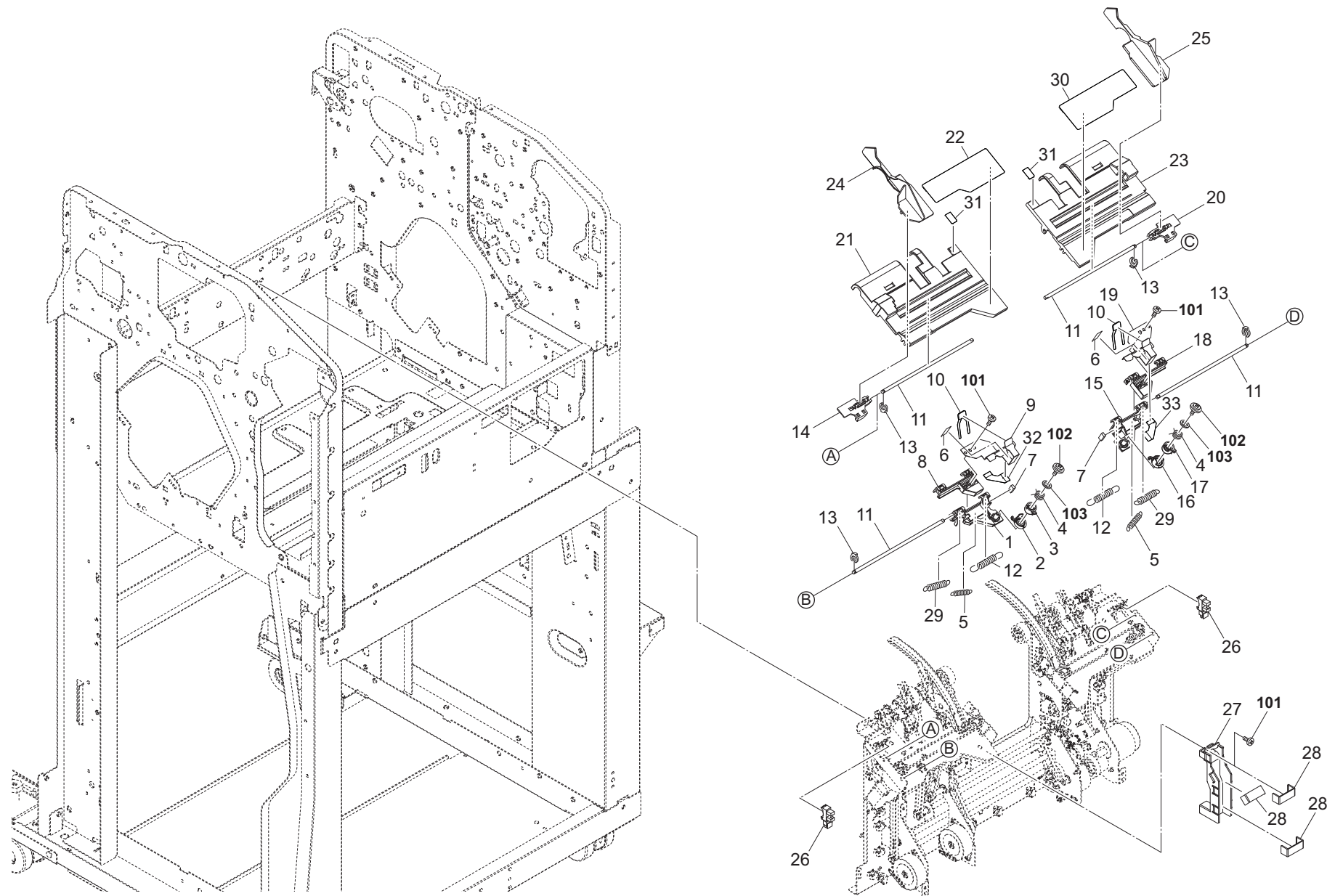


FIG. 6 Paper Feed Section 4 (Middle Tray Lower)

3SW

| Ref No. | Part.No. | Description | Notes | Revision | Quantity | | | |
|---------|-----------------|---------------------------------|-------|----------|----------|-----|-----|-----|
| | | | | | 100 | 120 | 230 | 240 |
| 1 | 303S833640 | SLIDER PAPER STOPPER F A | | | 1 | 1 | 1 | 1 |
| 2 | 303PW36270 | RATCHET LEVER GUIDE F | | | 1 | 1 | 1 | 1 |
| 3 | 303PW36260 | LEVER GUIDE STOPPER F | | | 1 | 1 | 1 | 1 |
| 4 | 303PW36380 | SPRING LEVER | | | 2 | 2 | 2 | 2 |
| 5 | 303S833740 | SPRING GUIDE LEVER | | | 2 | 2 | 2 | 2 |
| 6 | 303S833720 | FILM GUIDE PAPER STOPPER | | | 2 | 2 | 2 | 2 |
| 7 | 303H321050 | CUSHION EJECT GUIDE | | | 2 | 2 | 2 | 2 |
| 8 | 303S833650 | SLIDER PAPER STOPPER F B | | | 1 | 1 | 1 | 1 |
| 9 | 303S833620 | GUIDE PAPER STOPPER F | | | 1 | 1 | 1 | 1 |
| 10 | 303S833710 | FILM PAPER STOPPER | | | 2 | 2 | 2 | 2 |
| 11 | 303S833600 | SHAFT CURSOR | | | 4 | 4 | 4 | 4 |
| 12 | 303S833680 | SPRING GUIDE STOPPER | | | 2 | 2 | 2 | 2 |
| 13 | 5MVX111DN007 | STOPPER 3 /2BT1107 A4 | | | 4 | 4 | 4 | 4 |
| 14 | 303S833570 | HOLDER CURSOR F | | | 1 | 1 | 1 | 1 |
| 15 | 303S833660 | SLIDER PAPER STOPPER R A | | | 1 | 1 | 1 | 1 |
| 16 | 303PW36320 | RATCHET LEVER GUIDE R | | | 1 | 1 | 1 | 1 |
| 17 | 303PW36310 | LEVER GUIDE STOPPER R | | | 1 | 1 | 1 | 1 |
| 18 | 303S833670 | SLIDER PAPER STOPPER R B | | | 1 | 1 | 1 | 1 |
| 19 | 303S833630 | GUIDE PAPER STOPPER R | | | 1 | 1 | 1 | 1 |
| 20 | 303S833580 | HOLDER CURSOR R | | | 1 | 1 | 1 | 1 |
| 21 | 303S833510 | GUIDE MIDDLE TRAY F | | | 1 | 1 | 1 | 1 |
| 22 | 303S833700 | FILM MIDDLE TRAY | | | 1 | 1 | 1 | 1 |
| 23 | 303S833520 | GUIDE MIDDLE TRAY R | | | 1 | 1 | 1 | 1 |
| 24 | 303S833550 | CURSOR F MIDDLE TRAY | | | 1 | 1 | 1 | 1 |
| 25 | 303S833560 | CURSOR R MIDDLE TRAY | | | 1 | 1 | 1 | 1 |
| 26 | 302P794010 | PARTS SENSOR OPT. SP | | | 2 | 2 | 2 | 2 |
| 27 | 303S833390 | GUIDE WIRE | | | 1 | 1 | 1 | 1 |
| 28 | 303LL02180 | HOLDER WIRE A | | | 3 | 3 | 3 | 3 |
| 29 | 303S833730 | SPRING GUIDE SLIDER | | | 2 | 2 | 2 | 2 |
| 30 | 303S833770 | FILM MIDDLE TRAY R | | | 1 | 1 | 1 | 1 |
| 31 | 303S833780 | FILM EJECT ROLLER | | | 2 | 2 | 2 | 2 |
| 32 | 303S833750 | FILM PAPER STOPPER F B | | | 1 | 1 | 1 | 1 |
| 33 | 303S833760 | FILM PAPER STOPPER R B | | | 1 | 1 | 1 | 1 |
| 101 | 7BB700308H | +BIND T.T S SCREW 3X8 SR | | | | | | |
| 102 | 7BB202306H | +TP-FLAT T.T P SCREW 3X6 | | | | | | |
| 103 | 7BC060629540H01 | POLY SLIDER WASHER 6.2X9.5X0.4T | | | | | | |

FIG. 7 Conveying Section 1

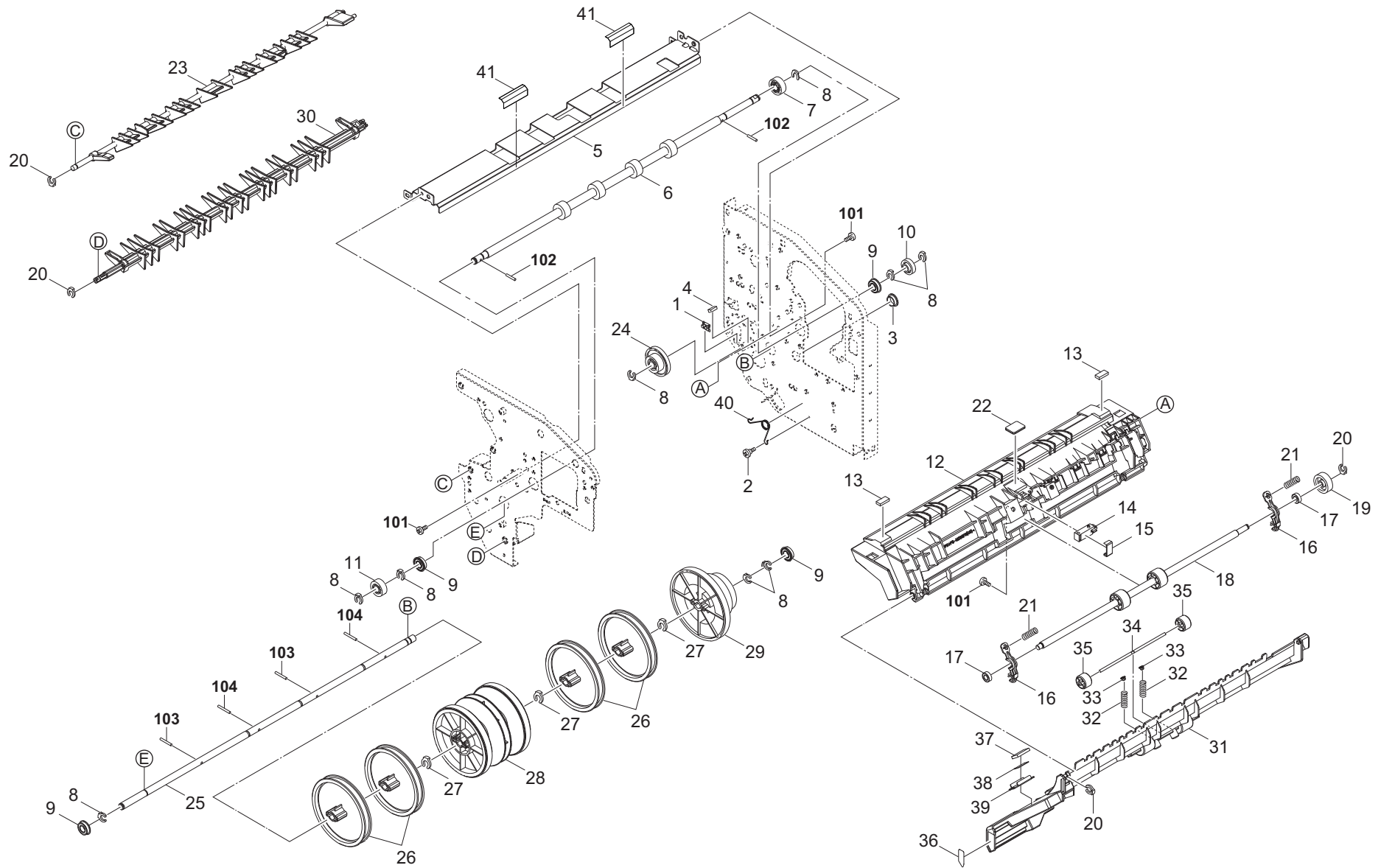


FIG. 7 Conveying Section 1

| Ref No. | Part.No. | Description | Notes | Revision | Quantity | | | |
|---------|-----------------|-------------------------------|-------|----------|----------|-----|-----|-----|
| | | | | | 100 | 120 | 230 | 240 |
| 1 | 7YZM210006++H01 | ACCESS.EDGING | | | 1 | 1 | 1 | 1 |
| 2 | 302GR25241 | PIN GUIDE CHUTE | | | 1 | 1 | 1 | 1 |
| 3 | 7YZM110001++H01 | ACCESS.BUSHING | | | 1 | 1 | 1 | 1 |
| 4 | 303H321050 | CUSHION EJECT GUIDE | | | 1 | 1 | 1 | 1 |
| 5 | 303S807070 | GUIDE ROLLER LOW | | | 1 | 1 | 1 | 1 |
| 6 | 303S894040 | PARTS ROLLER FEED LOW(SP) | | | 1 | 1 | 1 | 1 |
| 7 | 303PW31030 | GEAR Z25 FEED LOWER | | | 1 | 1 | 1 | 1 |
| 8 | 2BC06910 | STOPPER 6 | | | 9 | 9 | 9 | 9 |
| 9 | 7BE08165Z131H11 | BEARING 688ZZNR | | | 4 | 4 | 4 | 4 |
| 10 | 303NB31020 | GEAR Z35L | | | 1 | 1 | 1 | 1 |
| 11 | 302KS08110 | GEAR 18 | | | 1 | 1 | 1 | 1 |
| 12 | 303S824030 | GUIDE SIDETRACK UP | | | 1 | 1 | 1 | 1 |
| 13 | 63213320 | CUSHION,ORIGINAL COLLECTION | | | 2 | 2 | 2 | 2 |
| 14 | 303NW94060 | PARTS SENSOR OPT. SP | | | 1 | 1 | 1 | 1 |
| 15 | 303LL02330 | HOLDER WIRE D | | | 1 | 1 | 1 | 1 |
| 16 | 303S824050 | HOLDER SIDETRACK BEARING | | | 2 | 2 | 2 | 2 |
| 17 | 7BE006124431H01 | BEARING MR126ZZ | | | 2 | 2 | 2 | 2 |
| 18 | 303S824040 | ROLLER SIDETRACK UP | | | 1 | 1 | 1 | 1 |
| 19 | 303S824060 | GEAR Z28 SIDETRACK | | | 1 | 1 | 1 | 1 |
| 20 | 5MVX111DN003 | RING STOPPER /A-49 FEED A4 | | | 4 | 4 | 4 | 4 |
| 21 | 303S824070 | SPRING SIDETRACK PULLEY | | | 2 | 2 | 2 | 2 |
| 22 | 303S824080 | FELT FEED | | | 1 | 1 | 1 | 1 |
| 23 | 303S824120 | GUIDE SHIFT SIDETRACK | | | 1 | 1 | 1 | 1 |
| 24 | 303NB31050 | GEAR Z70R-Z20 | | | 1 | 1 | 1 | 1 |
| 25 | 303S824150 | SHAFT SIDETRACK | | | 1 | 1 | 1 | 1 |
| 26 | 303H316390 | GUIDE WHEEL DRUM | | | 4 | 4 | 4 | 4 |
| 27 | 33973300 | STOPPER 7,CARTRIDGE | | | 3 | 3 | 3 | 3 |
| 28 | 303S894050 | PARTS ROLLER SIDETRACK(SP) | | | 1 | 1 | 1 | 1 |
| 29 | 303S824160 | GEAR Z46-Z115 | | | 1 | 1 | 1 | 1 |
| 30 | 303S824190 | GUIDE SHIFT BOOKLET | | | 1 | 1 | 1 | 1 |
| 31 | 303S824200 | GUIDE SIDETRACK OPEN | | | 1 | 1 | 1 | 1 |
| 32 | 302H728100 | SPRING EXIT PULLEY | | | 2 | 2 | 2 | 2 |
| 33 | 2FM04150 | CAP SPRING /B-11 ENCLOSURE A4 | | | 2 | 2 | 2 | 2 |
| 34 | 303S824180 | SHAFT FEED | | | 1 | 1 | 1 | 1 |
| 35 | 303S824290 | PULLEY FEED | | | 2 | 2 | 2 | 2 |
| 36 | 303NB34170 | LABEL D6 NEW | | | 1 | 1 | 1 | 1 |
| 37 | 302GR04370 | MAGNET CLIP DISH | | | 1 | 1 | 1 | 1 |
| 38 | 302GR04380 | SEAL MAGNET | | | 1 | 1 | 1 | 1 |
| 39 | 303NB24210 | HOLDER MAGNET | | | 1 | 1 | 1 | 1 |
| 40 | 303S824330 | SPRING GUIDE HOLD | | | 1 | 1 | 1 | 1 |
| 41 | 303S807130 | SHEET ROLLER FEED | | | 2 | 2 | 2 | 2 |
| 101 | 7BB700408H | +BIND T.T S SCREW 4X8 SR | | | | | | |
| 102 | 7BP512012B0CH01 | PARALLEL PIN 2.0X12 | | | | | | |
| 103 | 7BP512514B0CH01 | PARALLEL PIN 2.5X14 | | | | | | |
| 104 | 7BP512520B0CH01 | PARALLEL PIN 2.5X20 | | | | | | |

FIG. 8 Conveying Section 2

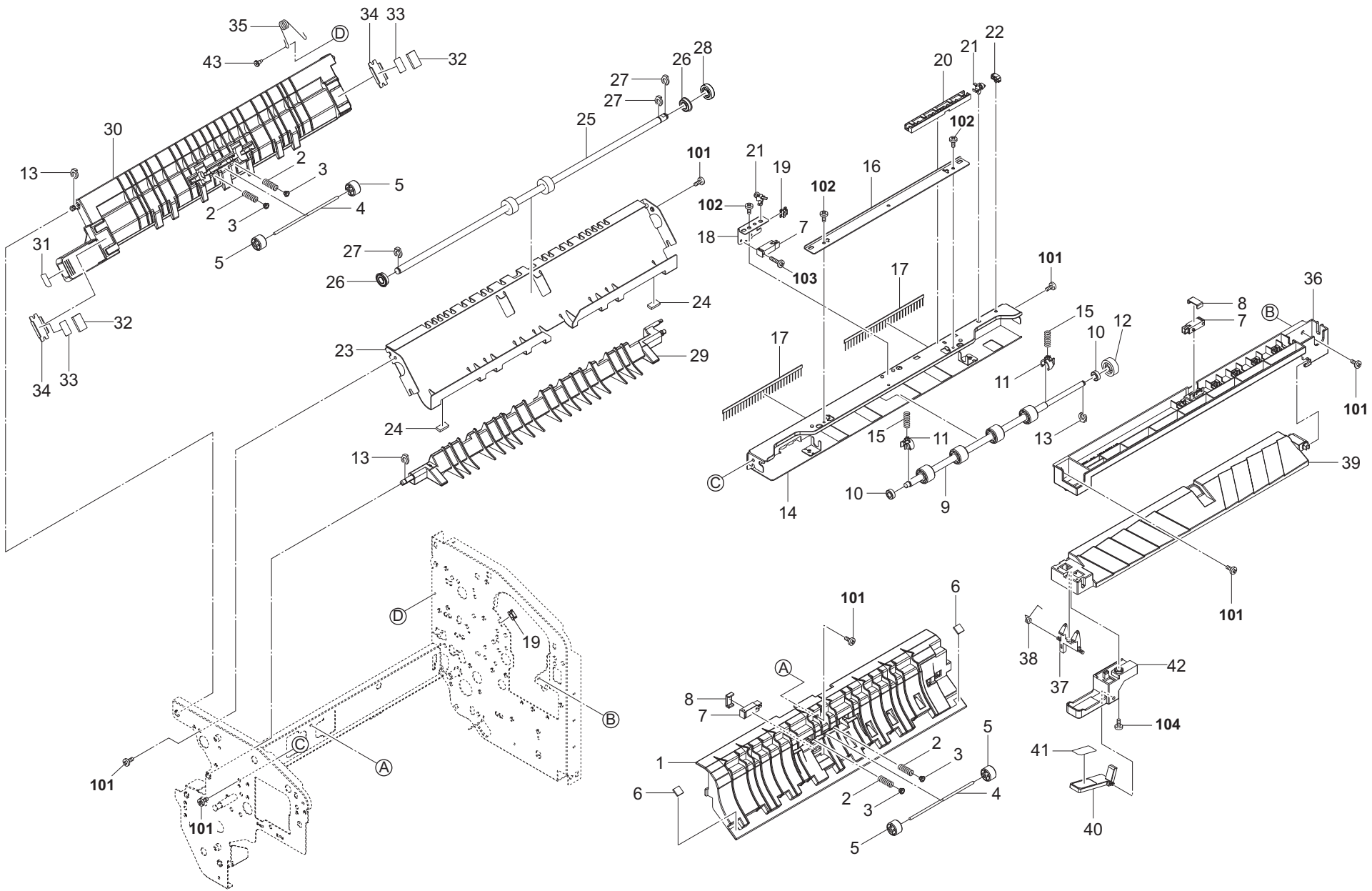


FIG. 8 Conveying Section 2

3SW

| Ref No. | Part.No. | Description | Notes | Revision | Quantity | | | |
|---------|-----------------|--------------------------------|-------|----------|----------|-----|-----|-----|
| | | | | | 100 | 120 | 230 | 240 |
| 1 | 303S824170 | GUIDE SIDETRACK LOW | | | 1 | 1 | 1 | 1 |
| 2 | 302H728100 | SPRING EXIT PULLEY | | | 4 | 4 | 4 | 4 |
| 3 | 2FM04150 | CAP SPRING /B-11 ENCLOSURE A4 | | | 4 | 4 | 4 | 4 |
| 4 | 303S824180 | SHAFT FEED | | | 2 | 2 | 2 | 2 |
| 5 | 303S824290 | PULLEY FEED | | | 4 | 4 | 4 | 4 |
| 6 | 303H321120 | CUSHION HOLDER | | | 2 | 2 | 2 | 2 |
| 7 | 303NW94060 | PARTS SENSOR OPT. SP | | | 3 | 3 | 3 | 3 |
| 8 | 303LL02330 | HOLDER WIRE D | | | 2 | 2 | 2 | 2 |
| 9 | 303S807030 | ROLLER FEED UP | | | 1 | 1 | 1 | 1 |
| 10 | 7BE006124431H01 | BEARING MR126ZZ | | | 2 | 2 | 2 | 2 |
| 11 | 303PW07110 | HOLDER BEARING | | | 2 | 2 | 2 | 2 |
| 12 | 303S807040 | GEAR Z25 FEED UP | | | 1 | 1 | 1 | 1 |
| 13 | 5MVX111DN003 | RING STOPPER /A-49 FEED A4 | | | 3 | 3 | 3 | 3 |
| 14 | 303S807060 | GUIDE ROLLER UP | | | 1 | 1 | 1 | 1 |
| 15 | 302H724030 | SPRING REGIST F | | | 2 | 2 | 2 | 2 |
| 16 | 303PW07100 | PLATE FEED REGIST | | | 1 | 1 | 1 | 1 |
| 17 | 303S807110 | STATIC ELIMINATOR | | | 2 | 2 | 2 | 2 |
| 18 | 303S807080 | MOUNT SENSOR | | | 1 | 1 | 1 | 1 |
| 19 | 7YZM210006++H01 | ACCESS.EDGING | | | 2 | 2 | 2 | 2 |
| 20 | 303S802210 | HOLDER WIRE | | | 1 | 1 | 1 | 1 |
| 21 | 7YZM410002++H01 | ACCESS.BAND | | | 2 | 2 | 2 | 2 |
| 22 | 7YZM610007++H01 | ACCESS.SADDLE | | | 1 | 1 | 1 | 1 |
| 23 | 303S826050 | GUIDE SUB RIGHT | | | 1 | 1 | 1 | 1 |
| 24 | 63213320 | CUSHION,ORIGINAL COLLECTION | | | 2 | 2 | 2 | 2 |
| 25 | 303S894060 | PARTS ROLLER SUB CONVEYING(SP) | | | 1 | 1 | 1 | 1 |
| 26 | 7BE08165Z131H11 | BEARING 688ZZNR | | | 2 | 2 | 2 | 2 |
| 27 | 2BC06910 | STOPPER 6 | | | 3 | 3 | 3 | 3 |
| 28 | 303NB31010 | GEAR Z35R | | | 1 | 1 | 1 | 1 |
| 29 | 303S824090 | GUIDE SHIFT SUB | | | 1 | 1 | 1 | 1 |
| 30 | 303S824260 | GUIDE SUB OPEN | | | 1 | 1 | 1 | 1 |
| 31 | 303NB34020 | LABEL D2 | | | 1 | 1 | 1 | 1 |
| 32 | 302GR04370 | MAGNET CLIP DISH | | | 2 | 2 | 2 | 2 |
| 33 | 302GR04380 | SEAL MAGNET | | | 2 | 2 | 2 | 2 |
| 34 | 303NB24210 | HOLDER MAGNET | | | 2 | 2 | 2 | 2 |
| 35 | 303RW24160 | SPRING GUIDE HOLD | | | 1 | 1 | 1 | 1 |
| 36 | 303S807010 | GUIDE FEED UPPER | | | 1 | 1 | 1 | 1 |
| 37 | 303S807120 | HOOK GUIDE FEED LOWER | | | 1 | 1 | 1 | 1 |
| 38 | 303NB07120 | SPRING-TORSION GUIDE HOOK | | | 1 | 1 | 1 | 1 |
| 39 | 303S807020 | GUIDE FEED LOWER | | | 1 | 1 | 1 | 1 |
| 40 | 303NB07110 | LEVER GUIDE FEED LOWER | | | 1 | 1 | 1 | 1 |
| 41 | 303NC34020 | LABEL D1 | | | 1 | 1 | 1 | 1 |
| 42 | 303NB07092 | HANDLE GUIDE FEED LOWER | | | 1 | 1 | 1 | 1 |
| 43 | 302GR25241 | PIN GUIDE CHUTE | | | 1 | 1 | 1 | 1 |
| 101 | 7BB700408H | +BIND T.T S SCREW 4X8 SR | | | | | | |
| 102 | 7BB700308H | +BIND T.T S SCREW 3X8 SR | | | | | | |
| 103 | 7BB700316H | +BIND T.T S SCREW 3X16 SR | | | | | | |
| 104 | 7BB200410H | +BIND T.T P SCREW 4X10 | | | | | | |

FIG. 9 Conveying Section 3

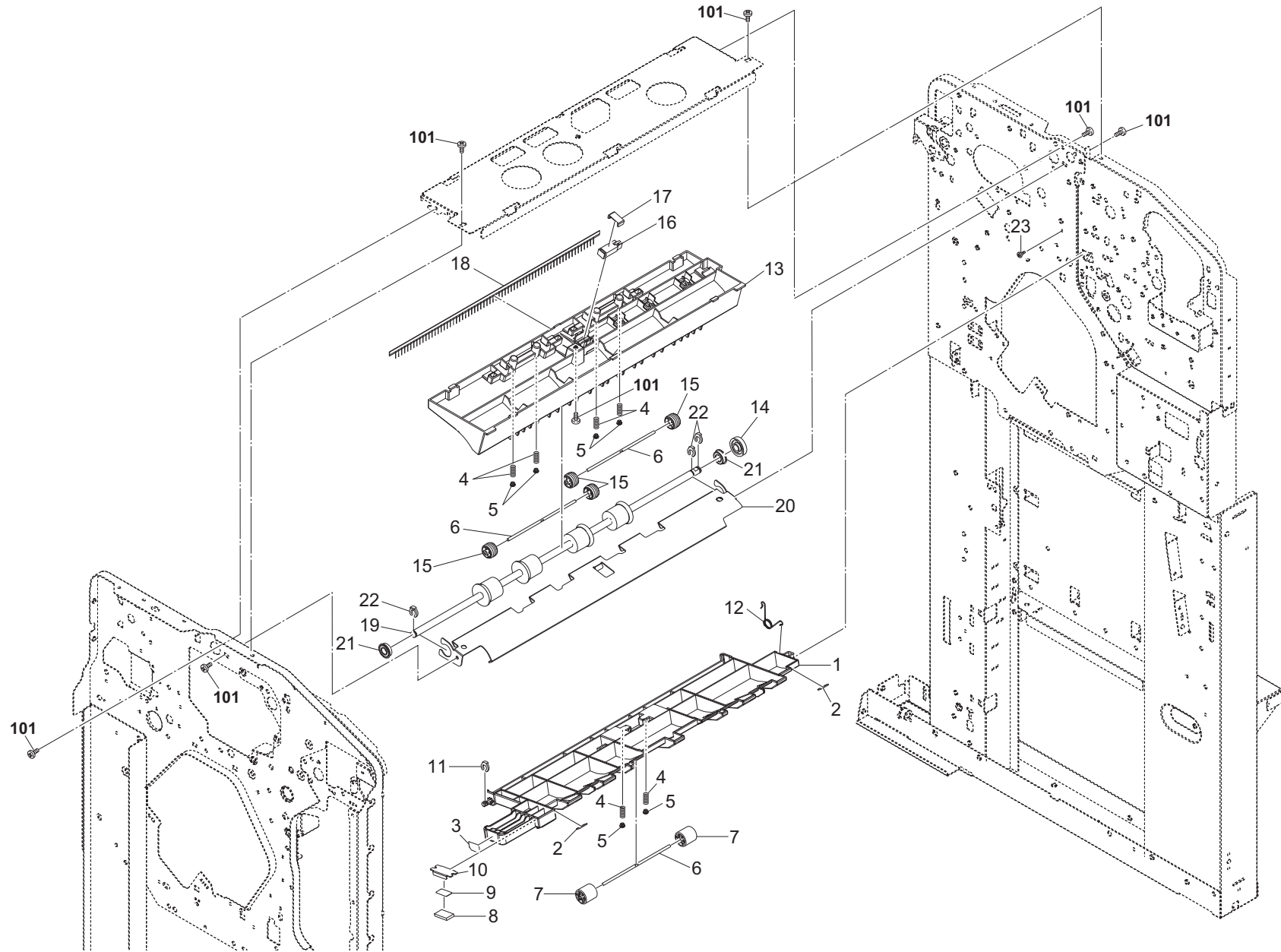


FIG. 9 Conveying Section 3

3SW

| Ref No. | Part.No. | Description | Notes | Revision | Quantity | | | |
|---------|-----------------|-------------------------------|-------|----------|----------|-----|-----|-----|
| | | | | | 100 | 120 | 230 | 240 |
| 1 | 303S824510 | GUIDE MIDDLE UP | | | 1 | 1 | 1 | 1 |
| 2 | 303JY37710 | CUSHION GUIDE BF | | | 2 | 2 | 2 | 2 |
| 3 | 303NB34040 | LABEL D4 | | | 1 | 1 | 1 | 1 |
| 4 | 302H728100 | SPRING EXIT PULLEY | | | 6 | 6 | 6 | 6 |
| 5 | 2FM04150 | CAP SPRING /B-11 ENCLOSURE A4 | | | 6 | 6 | 6 | 6 |
| 6 | 303S824180 | SHAFT FEED | | | 3 | 3 | 3 | 3 |
| 7 | 302H722760 | PULLEY MIDDLE A | | | 2 | 2 | 2 | 2 |
| 8 | 302GR04370 | MAGNET CLIP DISH | | | 1 | 1 | 1 | 1 |
| 9 | 302GR04380 | SEAL MAGNET | | | 1 | 1 | 1 | 1 |
| 10 | 303NB24210 | HOLDER MAGNET | | | 1 | 1 | 1 | 1 |
| 11 | 5MVX111DN003 | RING STOPPER /A-49 FEED A4 | | | 1 | 1 | 1 | 1 |
| 12 | 303RW24160 | SPRING GUIDE HOLD | | | 1 | 1 | 1 | 1 |
| 13 | 303S826070 | GUIDE SUB EJECT | | | 1 | 1 | 1 | 1 |
| 14 | 303S826030 | GEAR Z42L EXIT | | | 1 | 1 | 1 | 1 |
| 15 | 303S824280 | PULLEY MIDDLE | | | 4 | 4 | 4 | 4 |
| 16 | 303NW94060 | PARTS SENSOR OPT. SP | | | 1 | 1 | 1 | 1 |
| 17 | 303LL02330 | HOLDER WIRE D | | | 1 | 1 | 1 | 1 |
| 18 | 303NB24300 | STATIC-ELIMINATOR SUB EJECT | | | 1 | 1 | 1 | 1 |
| 19 | 303S894070 | PARTS ROLLER SUB EXIT(SP) | | | 1 | 1 | 1 | 1 |
| 20 | 303S826010 | GUIDE SUB LOW | | | 1 | 1 | 1 | 1 |
| 21 | 7BE08165Z131H11 | BEARING 688ZZNR | | | 2 | 2 | 2 | 2 |
| 22 | 2BC06910 | STOPPER 6 | | | 3 | 3 | 3 | 3 |
| 23 | 302GR25241 | PIN GUIDE CHUTE | | | 1 | 1 | 1 | 1 |
| 101 | 7BB700408H | +BIND T.T S SCREW 4X8 SR | | | | | | |

FIG. 10 Conveying Section 4

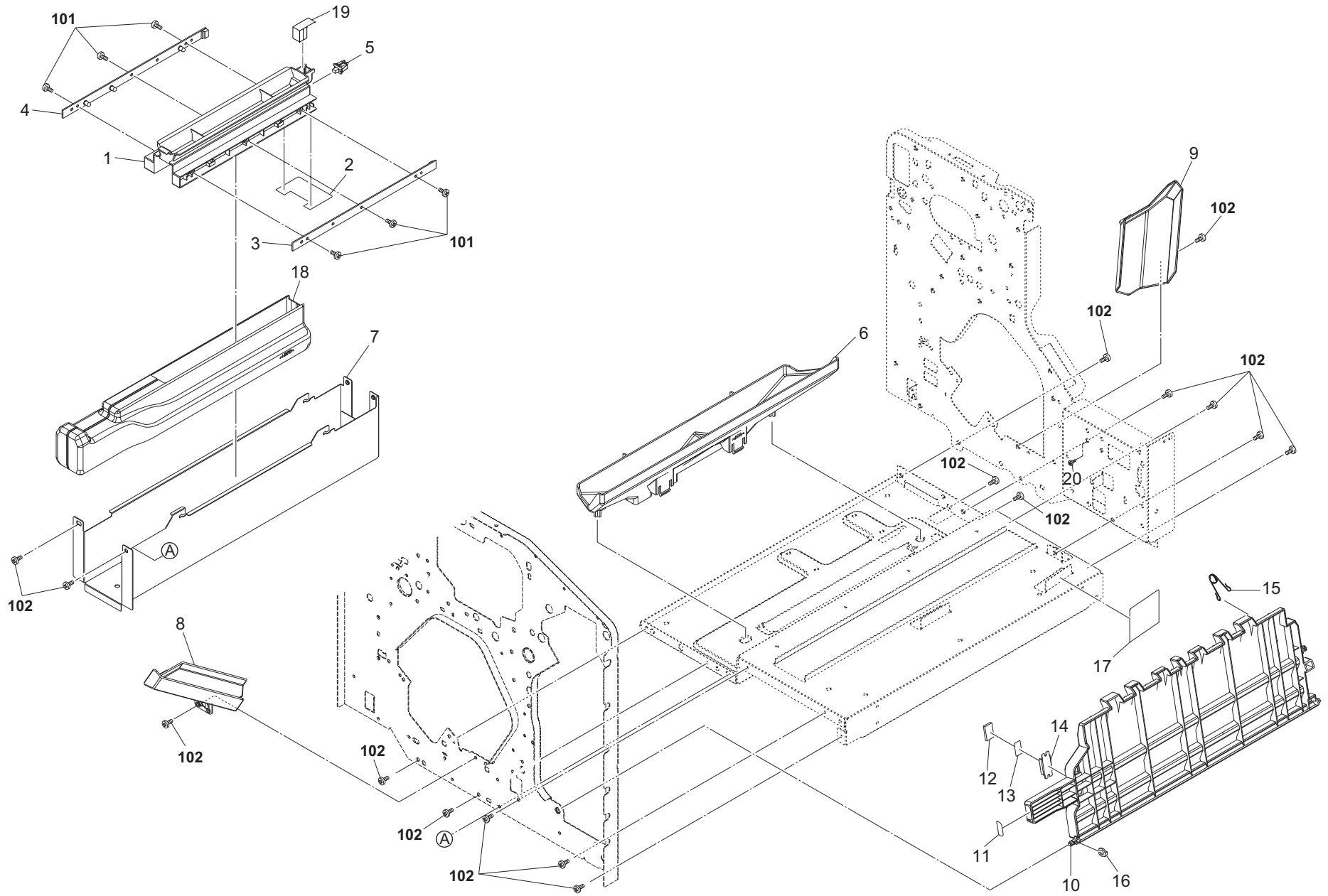


FIG. 10 Conveying Section 4

3SW-6

| Ref No. | Part.No. | Description | Notes | Revision | Quantity | | | |
|---------|-----------------|-----------------------------|-------|-------------|----------|-----|-----|-----|
| | | | | | 100 | 120 | 230 | 240 |
| 1 | 303PW35280 | GUIDE DISPOSAL TANK | | | 1 | 1 | 1 | 1 |
| 2 | 303S838340 | FILM DISPOSAL TANK | | | 1 | 1 | 1 | 1 |
| 3 | 303R194050 | PARTS PWB SENSOR D ASSY SP | | | 1 | 1 | 1 | 1 |
| 4 | 303R194040 | PARTS PWB SENSOR C ASSY SP | | | 1 | 1 | 1 | 1 |
| 5 | 7SP01000007+H01 | SW.PUSH | | | 1 | 1 | 1 | 1 |
| 6 | 303S838230 | DUCT DISPOSAL TANK C | | | 1 | 1 | 1 | 1 |
| 7 | 303S838240 | BASE DISPOSAL TANK | | | 1 | 1 | 1 | 1 |
| 8 | 303S838211 | DUCT DISPOSAL TANK A | | Design-chg. | 1 | 1 | 1 | 1 |
| 9 | 303S838221 | DUCT DISPOSAL TANK B | | Design-chg. | 1 | 1 | 1 | 1 |
| 10 | 303S827011 | GUIDE BOOKLET RIGHT | | | 1 | 1 | 1 | 1 |
| 11 | 303ND34020 | LABEL D7 | | | 1 | 1 | 1 | 1 |
| 12 | 302GR04370 | MAGNET CLIP DISH | | | 1 | 1 | 1 | 1 |
| 13 | 302GR04380 | SEAL MAGNET | | | 1 | 1 | 1 | 1 |
| 14 | 303NB24210 | HOLDER MAGNET | | | 1 | 1 | 1 | 1 |
| 15 | 303RW24160 | SPRING GUIDE HOLD | | | 1 | 1 | 1 | 1 |
| 16 | 5MVX111DN003 | RING STOPPER /A-49 FEED A4 | | | 1 | 1 | 1 | 1 |
| 17 | 303NB02410 | FILM DRAWER | | | 1 | 1 | 1 | 1 |
| 18 | 303S838200 | TANK DISPOSAL | | | 1 | 1 | 1 | 1 |
| 19 | 303S838390 | CUSHION GUIDE DISPOSAL TANK | | | 1 | 1 | 1 | 1 |
| 20 | 302GR25241 | PIN GUIDE CHUTE | | | 1 | 1 | 1 | 1 |
| 101 | 7BB200308H | +BIND T.T P SCREW 3X8 | | | | | | |
| 102 | 7BB700408H | +BIND T.T S SCREW 4X8 SR | | | | | | |

FIG. 11 Staple Section (for Old Stapler Base)

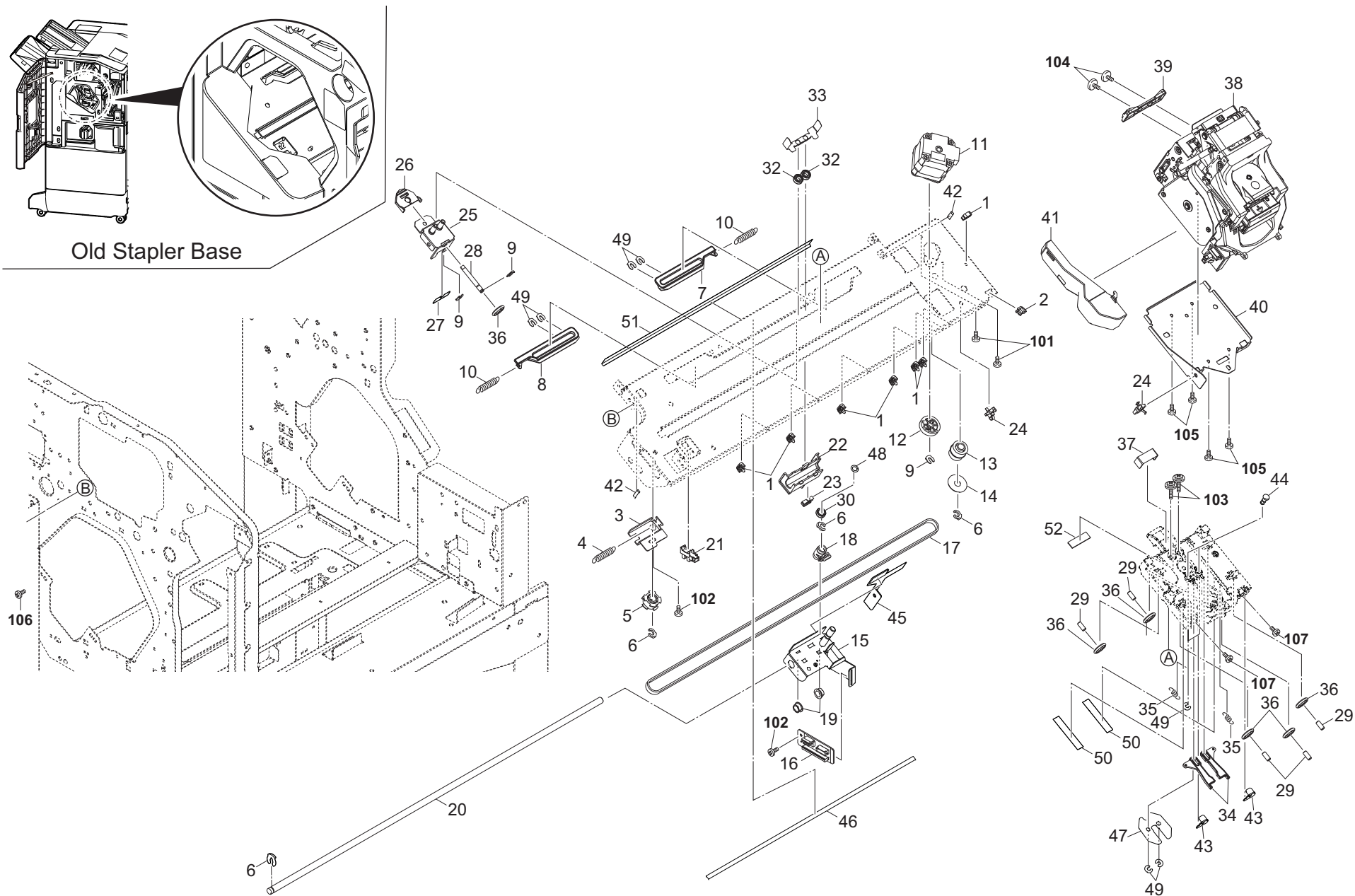


FIG. 11 Staple Section (for Old Stapler Base)

| Ref No. | Part.No. | Description | Notes | Revision | Quantity | | | |
|---------|-----------------|---------------------------------|-------|----------|----------|-----|-----|-----|
| | | | | | 100 | 120 | 230 | 240 |
| 1 | 7YZM610007++H01 | ACCESS.SADDLE | | | 7 | 7 | 7 | 7 |
| 2 | 7YZM210014++H01 | ACCESS.EDGING | | | 1 | 1 | 1 | 1 |
| 3 | 303S838100 | PLATE STAPLER UNIT TENSION | | | 1 | 1 | 1 | 1 |
| 4 | 72418140 | SPRING, BLADE | | | 1 | 1 | 1 | 1 |
| 5 | 3AK07230 | PULLEY 20S3M | | | 1 | 1 | 1 | 1 |
| 6 | 2BC06910 | STOPPER 6 | | | 4 | 4 | 4 | 4 |
| 7 | 303S838120 | RAIL STAPLER SHIFT REAR | | | 1 | 1 | 1 | 1 |
| 8 | 303S838070 | RAIL STAPLER SHIFT FRONT | | | 1 | 1 | 1 | 1 |
| 9 | 5MVX111DN003 | RING STOPPER /A-49 FEED A4 | | | 3 | 3 | 3 | 3 |
| 10 | 303S838190 | SPRING RAIL STAPLER SHIFT | | | 2 | 2 | 2 | 2 |
| 11 | 303NV94010 | PARTS MOTOR DP SP | | | 1 | 1 | 1 | 1 |
| 12 | 302H731280 | GEAR Z29R MIDDLE | | | 1 | 1 | 1 | 1 |
| 13 | 303S838150 | GEAR Z22L-P20 | | | 1 | 1 | 1 | 1 |
| 14 | 303JY38240 | SPACER 25 | | | 1 | 1 | 1 | 1 |
| 15 | 303S838050 | PLATE STAPLER SHIFT | | | 1 | 1 | 1 | 1 |
| 16 | 303S894020 | PARTS PWB STAPLE ASSY(SP) | | | 1 | 1 | 1 | 1 |
| 17 | 303S838030 | BELT 60S3M1035 | | | 1 | 1 | 1 | 1 |
| 18 | 303S838110 | STOPPER DRIVE BELT | | | 1 | 1 | 1 | 1 |
| 19 | 28107310 | BUSH 8 | | | 2 | 2 | 2 | 2 |
| 20 | 303S838040 | SHAFT STAPLER SHIFT | | | 1 | 1 | 1 | 1 |
| 21 | 302P794010 | PARTS SENSOR OPT. SP | | | 1 | 1 | 1 | 1 |
| 22 | 303S838290 | COVER STAPLER SHAFT | | | 1 | 1 | 1 | 1 |
| 23 | 7YZM610002++H01 | ACCESS SADDLE | | | 1 | 1 | 1 | 1 |
| 24 | 7YZM410002++H01 | ACCESS.BAND | | | 2 | 2 | 2 | 2 |
| 25 | 303S838060 | STOPPER STAPLER MOUNT | | | 1 | 1 | 1 | 1 |
| 26 | 303S838301 | SPACER STAPLER B | | | 1 | 1 | 1 | 1 |
| 27 | 303S838450 | FILM STAPLER STOPPER | | | 1 | 1 | 1 | 1 |
| 28 | 303S838080 | SHAFT STOPPER PULLEY | | | 1 | 1 | 1 | 1 |
| 29 | 303NB38090 | SHAFT MOUNT PULLEY | | | 5 | 5 | 5 | 5 |
| 30 | 7BE008121431H01 | BEARING MR128ZZ | | | 1 | 1 | 1 | 1 |
| 32 | 7BE006124431H01 | BEARING MR126ZZ | | | 2 | 2 | 2 | 2 |
| 33 | 303S838180 | PLATE EARTH STAPLER | | | 1 | 1 | 1 | 1 |
| 34 | 303S838130 | HOOK STAPLER | | | 2 | 2 | 2 | 2 |
| 35 | 303S838330 | SPRING-E HOOK STAPLER | | | 2 | 2 | 2 | 2 |
| 36 | 5MVM176DN001 | PULLEY RAIL CASS /40283V0034 A4 | | | 6 | 6 | 6 | 6 |
| 37 | 303LL02180 | HOLDER WIRE A | | | 1 | 1 | 1 | 1 |
| 38 | 303S894120 | PARTS STAPLER EH1200(SP) | | | 1 | 1 | 1 | 1 |
| 39 | 303S838170 | GUIDE STAPLER | | | 1 | 1 | 1 | 1 |
| 40 | 303S838090 | SPACER STAPLER | | | 1 | 1 | 1 | 1 |
| 41 | 303S838140 | COVER STAPLER | | | 1 | 1 | 1 | 1 |
| 42 | 2BL14400 | SPACER SEAL | | | 2 | 2 | 2 | 2 |
| 43 | 303S838360 | PLATE FIXING STAPLER | | | 2 | 2 | 2 | 2 |
| 44 | 303S838370 | SHAFT MOUNT STAPLER | | | 2 | 2 | 2 | 2 |
| 45 | 303S838380 | FILM STAPLER SHIFT | | | 1 | 1 | 1 | 1 |
| 46 | 303S838410 | FILM SPACER STAPLER | | | 1 | 1 | 1 | 1 |
| 47 | 303S838420 | PLATE MOUNT STAPLER | | | 1 | 1 | 1 | 1 |
| 48 | 2BG22930 | CUT WASHER 6 | | | 1 | 1 | 1 | 1 |
| 49 | 302FB09830 | CUT WASHER 4 | | | 8 | 8 | 8 | 8 |
| 50 | 303JY02660 | FILM RIGHT FRAME | | | 2 | 2 | 2 | 2 |
| 51 | 303S838460 | FILM STAPLER BASE | | | 1 | 1 | 1 | 1 |

FIG. 11 Staple Section (for Old Stapler Base)

| Ref No. | Part.No. | Description | Notes | Revision | Quantity | | | |
|---------|------------|-------------------------------------|-------|----------|----------|-----|-----|-----|
| | | | | | 100 | 120 | 230 | 240 |
| 52 | 302K015390 | SEAL TONER SUPPLY D | | | 1 | 1 | 1 | 1 |
| 101 | 7BB000304H | +BIND M SCREW 3X4 | | | | | | |
| 102 | 7BB700308H | +BIND T.T S SCREW 3X8 SR | | | | | | |
| 103 | 7BB607410H | +TP-CUP M SCREW 4X10 R | | | | | | |
| 104 | 7BB607306H | +TP-CUP M SCREW 3X6 R | | | | | | |
| 105 | 7BB100306H | +BIND T.T S SCREW 3X6 | | | | | | |
| 106 | 7BB700408H | +BIND T.T S SCREW 4X8 SR | | | | | | |
| 107 | 7BB782410H | +TP-FLAT T.T S SCREW 4X10 SR(BLACK) | | | | | | |
| | | | | | | | | |
| | | | | | | | | |
| | | | | | | | | |
| | | | | | | | | |
| | | | | | | | | |
| | | | | | | | | |
| | | | | | | | | |
| | | | | | | | | |
| | | | | | | | | |
| | | | | | | | | |
| | | | | | | | | |
| | | | | | | | | |
| | | | | | | | | |
| | | | | | | | | |
| | | | | | | | | |
| | | | | | | | | |
| | | | | | | | | |
| | | | | | | | | |
| | | | | | | | | |
| | | | | | | | | |
| | | | | | | | | |
| | | | | | | | | |
| | | | | | | | | |
| | | | | | | | | |
| | | | | | | | | |

FIG. 12 Staple Section (for New Stapler Base) 1

3SW

| Ref No. | Part.No. | Description | Notes | Revision | Quantity | | | |
|---------|-----------------|----------------------------|-------|----------|----------|-----|-----|-----|
| | | | | | 100 | 120 | 230 | 240 |
| 1 | 302P794010 | PARTS SENSOR OPT. SP | | | 1 | 1 | 1 | 1 |
| 2 | 7YZM110001++H01 | ACCESS.BUSHING | | | 2 | 2 | 2 | 2 |
| 3 | 7YZM210014++H01 | ACCESS.EDGING | | | 2 | 2 | 2 | 2 |
| 4 | 7YZM610007++H01 | ACCESS.SADDLE | | | 8 | 8 | 8 | 8 |
| 5 | 303NV94010 | PARTS MOTOR DP SP | | | 1 | 1 | 1 | 1 |
| 6 | 303S838780 | MOUNT DRIVE STAPLER | | | 1 | 1 | 1 | 1 |
| 7 | 302H731280 | GEAR Z29R MIDDLE | | | 1 | 1 | 1 | 1 |
| 8 | 5MVX111DN003 | RING STOPPER /A-49 FEED A4 | | | 1 | 1 | 1 | 1 |
| 9 | 303S838150 | GEAR Z22L-P20 | | | 1 | 1 | 1 | 1 |
| 10 | 303JY38240 | SPACER 25 | | | 1 | 1 | 1 | 1 |
| 11 | 2BC06910 | STOPPER 6 | | | 3 | 3 | 3 | 3 |
| 12 | 303S838670 | PLATE STAPLER TENSION B | | | 1 | 1 | 1 | 1 |
| 13 | 72418140 | SPRING, BLADE | | | 1 | 1 | 1 | 1 |
| 14 | 3AK07230 | PULLEY 20S3M | | | 1 | 1 | 1 | 1 |
| 15 | 303S838660 | SHAFT STAPLER SHIFT | | | 1 | 1 | 1 | 1 |
| 16 | 303S838620 | PLATE STAPLER SHIFT B | | | 1 | 1 | 1 | 1 |
| 17 | 7BE008165431H11 | BEARING 688ZZ | | | 2 | 2 | 2 | 2 |
| 18 | 302KV19810 | CUT-WASHER 6 | | | 2 | 2 | 2 | 2 |
| 19 | 303S838030 | BELT 60S3M1035 | | | 1 | 1 | 1 | 1 |
| 20 | 303S838650 | STOPPER DRIVE BELT B | | | 1 | 1 | 1 | 1 |
| 21 | 28107310 | BUSH 8 | | | 2 | 2 | 2 | 2 |
| 22 | 303S838640 | COVER STAPLER SHAFT B | | | 1 | 1 | 1 | 1 |
| 23 | 303S838600 | RAIL STAPLER MIDDLE | | | 1 | 1 | 1 | 1 |
| 24 | 303S838580 | RAIL STAPLER FRONT | | | 1 | 1 | 1 | 1 |
| 25 | 303S838740 | LEVER STAPLER MOVE C | | | 1 | 1 | 1 | 1 |
| 26 | 302LC28100 | SPRING-COMPRESSION | | | 4 | 4 | 4 | 4 |
| 27 | 303S838760 | FULCRUM STAPLER LEVER A | | | 2 | 2 | 2 | 2 |
| 28 | 303S838750 | LEVER STAPLER MOVE D | | | 1 | 1 | 1 | 1 |
| 29 | 303S838770 | FULCRUM STAPLER LEVER B | | | 2 | 2 | 2 | 2 |
| 30 | 303S838590 | RAIL STAPLER REAR | | | 1 | 1 | 1 | 1 |
| 31 | 303S838720 | LEVER STAPLER MOVE A | | | 1 | 1 | 1 | 1 |
| 32 | 303S838730 | LEVER STAPLER MOVE B | | | 1 | 1 | 1 | 1 |
| 33 | 303S838610 | RAIL STAPLER RIGHT | | | 1 | 1 | 1 | 1 |
| 34 | 303S838710 | GUIDE WIRE STAPLER LOW | | | 1 | 1 | 1 | 1 |
| 35 | 7YZM410002++H01 | ACCESS.BAND | | | 6 | 6 | 6 | 6 |
| 36 | 303S838630 | MOUNT PWB STAPLER | | | 1 | 1 | 1 | 1 |
| 37 | 303S894020 | PARTS PWB STAPLE ASSY(SP) | | | 1 | 1 | 1 | 1 |
| 38 | 303S838790 | SHEET COVER FFC | | | 1 | 1 | 1 | 1 |
| 101 | 7BB000304H | +BIND M SCREW 3X4 | | | | | | |
| 102 | 7BB700308H | +BIND T.T S SCREW 3X8 SR | | | | | | |
| 103 | 7BB200308H | +BIND T.T P SCREW 3X8 | | | | | | |

FIG. 13 Staple Section (for New Stapler Base) 2

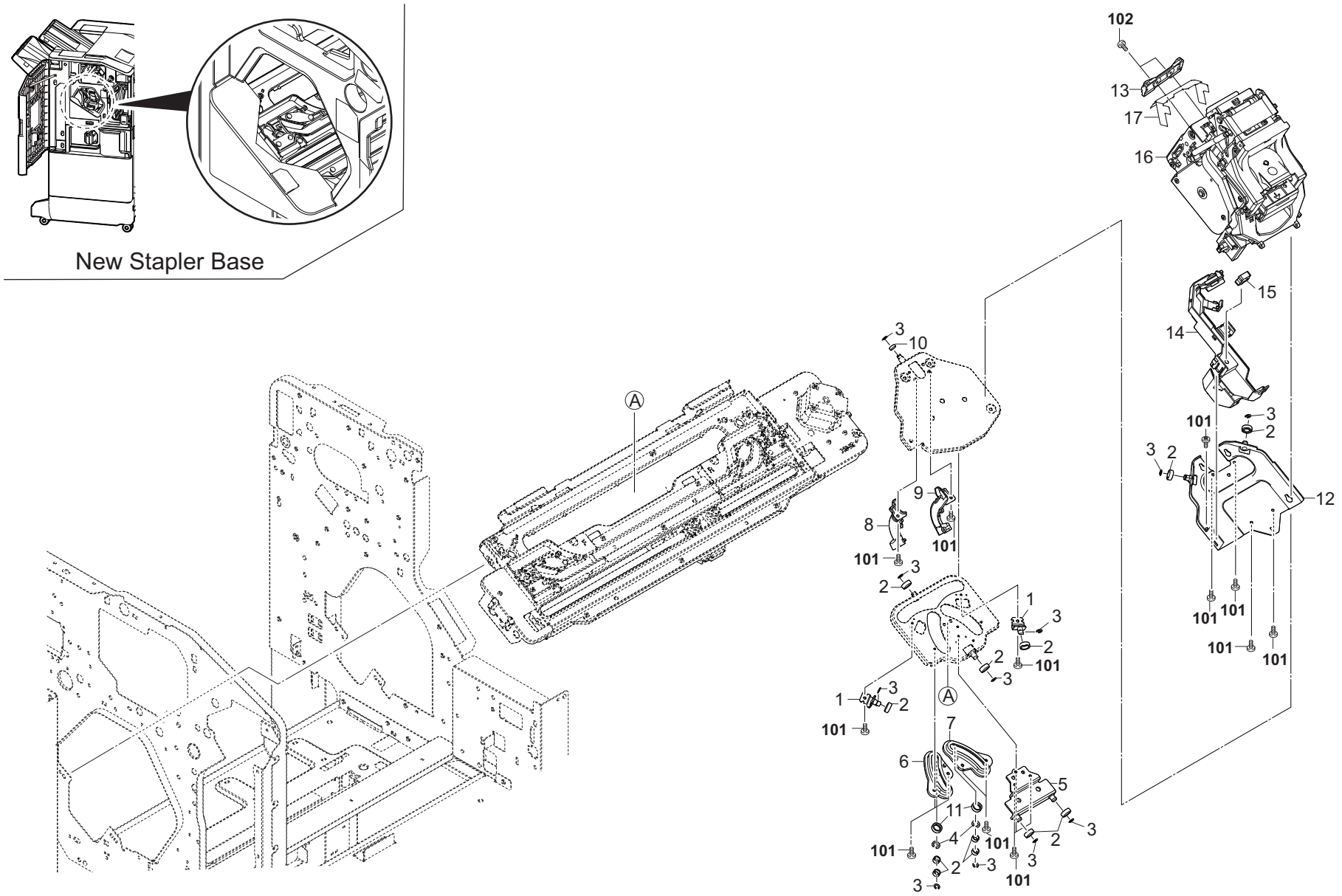


FIG. 13 Staple Section (for New Stapler Base) 2

| Ref No. | Part.No. | Description | Notes | Revision | Quantity | | | |
|---------|-----------------|--------------------------|-------|----------|----------|-----|-----|-----|
| | | | | | 100 | 120 | 230 | 240 |
| 1 | 303S838540 | MOUNT PULLEY L | | | 2 | 2 | 2 | 2 |
| 2 | 7BE006124431H01 | BEARING MR126ZZ | | | 12 | 12 | 12 | 12 |
| 3 | 302K924820 | CUT-WASHER 4 | | | 11 | 11 | 11 | 11 |
| 4 | 302KV19810 | CUT-WASHER 6 | | | 2 | 2 | 2 | 2 |
| 5 | 303S838550 | MOUNT PULLEY R | | | 1 | 1 | 1 | 1 |
| 6 | 303S838570 | GUIDE MOUNT TURN B | | | 1 | 1 | 1 | 1 |
| 7 | 303S838560 | GUIDE MOUNT TURN A | | | 1 | 1 | 1 | 1 |
| 8 | 303S838700 | GUIDE WIRE STAPLER B | | | 1 | 1 | 1 | 1 |
| 9 | 303S838690 | GUIDE WIRE STAPLER A | | | 1 | 1 | 1 | 1 |
| 10 | 2FT18380 | BALL BEARING 5 | | | 1 | 1 | 1 | 1 |
| 11 | 7BE008121431H01 | BEARING MR128ZZ | | | 2 | 2 | 2 | 2 |
| 12 | 303S838530 | MOUNT STAPLER B | | | 1 | 1 | 1 | 1 |
| 13 | 303S838170 | GUIDE STAPLER | | | 1 | 1 | 1 | 1 |
| 14 | 303S838680 | GUIDE WIRE STAPLER UP | | | 1 | 1 | 1 | 1 |
| 15 | 7YZM610001++H01 | ACCESS SADDLE | | | 1 | 1 | 1 | 1 |
| 16 | 303S894120 | PARTS STAPLER EH1200(SP) | | | 1 | 1 | 1 | 1 |
| 17 | 303S838800 | FILM COVER STAPLER | | Add | 1 | 1 | 1 | 1 |
| 101 | 7BB100306H | +BIND T.T S SCREW 3X6 | | | | | | |
| 102 | 7BB607306H | +TP-CUP M SCREW 3X6 R | | | | | | |

FIG. 14 Exit Section 1

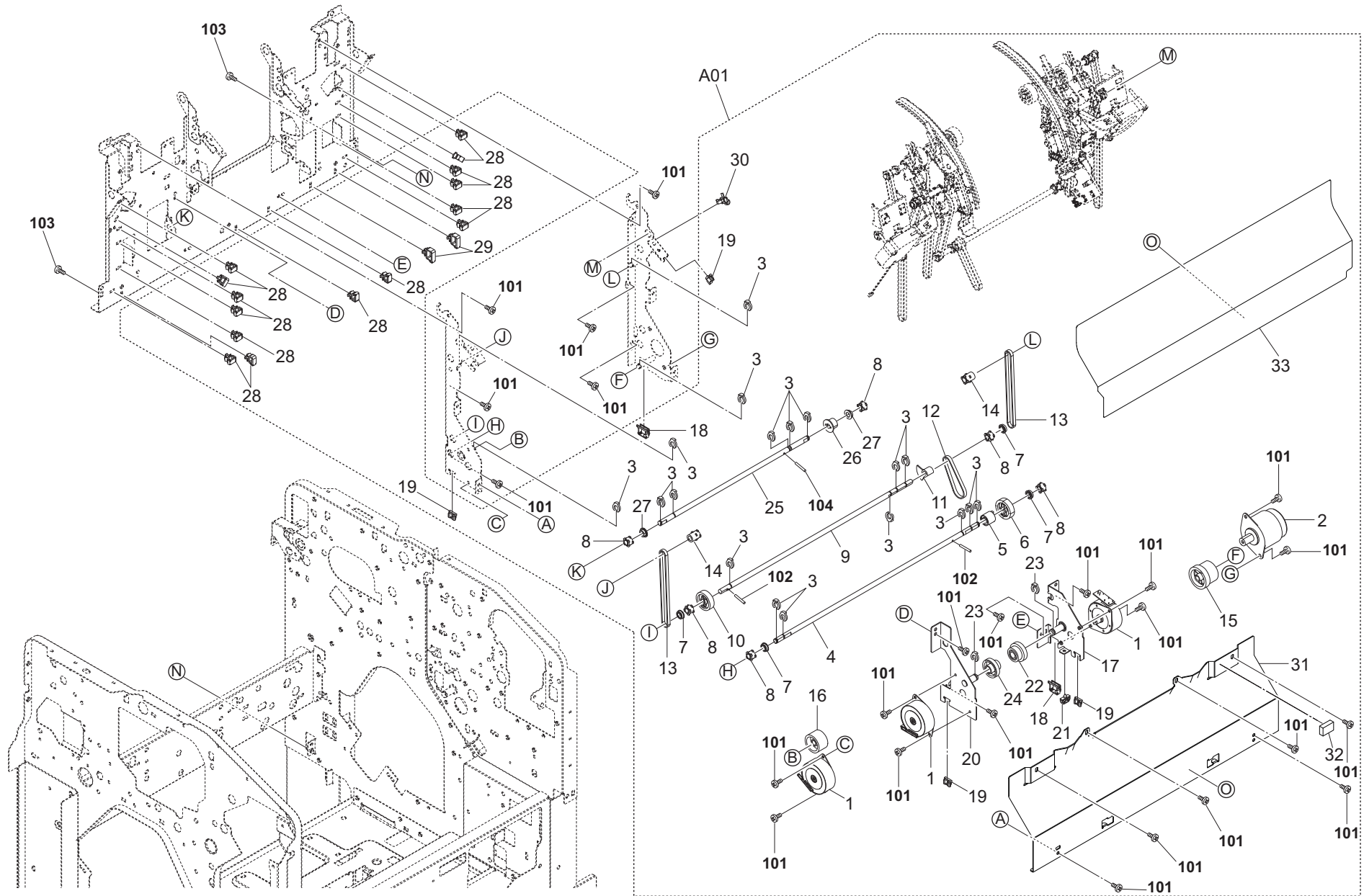


FIG. 14 Exit Section 1

3SW

| Ref No. | Part.No. | Description | Notes | Revision | Quantity | | | |
|---------|-------------------|-----------------------------|-------|----------|----------|-----|-----|-----|
| | | | | | 100 | 120 | 230 | 240 |
| A01 | 303SW93010 | PARTS EJECT UNIT ASSY(SP) | | | 1 | 1 | 1 | 1 |
| 1 | *302HN44100 | MOTOR REVERSE | | | 3 | 3 | 3 | 3 |
| 2 | *303RL94030 | PARTS MOTOR-BL INNER W20 SP | | | 1 | 1 | 1 | 1 |
| 3 | *5MVX111DN003 | RING STOPPER /A-49 FEED A4 | | | 18 | 18 | 18 | 18 |
| 4 | *303S828040 | SHAFT EJECT DRIVE | | | 1 | 1 | 1 | 1 |
| 5 | *302NR25750 | TORQUE LIMITER 500 | | | 1 | 1 | 1 | 1 |
| 6 | *303S828050 | GEAR Z30S | | | 1 | 1 | 1 | 1 |
| 7 | *7BE006103R31H01 | BEARING MF106ZZ | | | 4 | 4 | 4 | 4 |
| 8 | *303P024060 | PULLEY P16 | | | 6 | 6 | 6 | 6 |
| 9 | *303S828150 | SHAFT PADDLE DRIVE | | | 1 | 1 | 1 | 1 |
| 10 | *302LC31760 | GEAR Z45L | | | 1 | 1 | 1 | 1 |
| 11 | *303S828160 | LEVER PADDLE | | | 1 | 1 | 1 | 1 |
| 12 | *303S828130 | BELT 40S2M130 | | | 1 | 1 | 1 | 1 |
| 13 | *303S828120 | BELT 40S2M236 | | | 2 | 2 | 2 | 2 |
| 14 | *303S828090 | PULLEY P16 IDLE | | | 2 | 2 | 2 | 2 |
| 15 | *303S836280 | GEAR Z35S-Z49R | | | 1 | 1 | 1 | 1 |
| 16 | *302ND15450 | GEAR Z45R IDLE | | | 1 | 1 | 1 | 1 |
| 17 | *303S828170 | MOUNT SLIDER MOTOR | | | 1 | 1 | 1 | 1 |
| 18 | *7YZM210009+++H01 | ACCESS.EDGING | | | 2 | 2 | 2 | 2 |
| 19 | *7YZM210014+++H01 | ACCESS.EDGING | | | 4 | 4 | 4 | 4 |
| 20 | *303S828340 | MOUNT LEVER MOTOR | | | 1 | 1 | 1 | 1 |
| 21 | *7YZM610007+++H01 | ACCESS.SADDLE | | | 1 | 1 | 1 | 1 |
| 22 | *303NB28130 | GEAR Z45-P30 | | | 1 | 1 | 1 | 1 |
| 23 | *2BC06910 | STOPPER 6 | | | 2 | 2 | 2 | 2 |
| 24 | *303PX36080 | GEAR Z45 P20 | | | 1 | 1 | 1 | 1 |
| 25 | *303S828240 | SHAFT SLIDER DRIVE | | | 1 | 1 | 1 | 1 |
| 26 | *76514050 | PULLEY 20 DRIVE | | | 1 | 1 | 1 | 1 |
| 27 | *303P031160 | BUSH 6 | | | 2 | 2 | 2 | 2 |
| 28 | *7YZM610009+++H01 | ACCESS.SADDLE | | | 15 | 15 | 15 | 15 |
| 29 | *7YZM610010+++H01 | ACCESS.SADDLE | | | 2 | 2 | 2 | 2 |
| 30 | *7YZM410002+++H01 | ACCESS.BAND | | | 1 | 1 | 1 | 1 |
| 31 | *303S828420 | STAY EJECT | | | 1 | 1 | 1 | 1 |
| 32 | *302H709160 | CUSHION PUSH BYPASS | | | 1 | 1 | 1 | 1 |
| 33 | *303S828930 | SHEET STAY EJECT | | | 1 | 1 | 1 | 1 |
| 101 | 7BB700308H | +BIND T.T S SCREW 3X8 SR | | | | | | |
| 102 | 7BP512010B0CH01 | PARALLEL PIN 2.0X10 | | | | | | |
| 103 | 7BB700408H | +BIND T.T S SCREW 4X8 SR | | | | | | |
| 104 | 7BP512008B0CH01 | PARALLEL PIN 2.0X8 | | | | | | |

FIG. 15 Exit Section 2

3SW

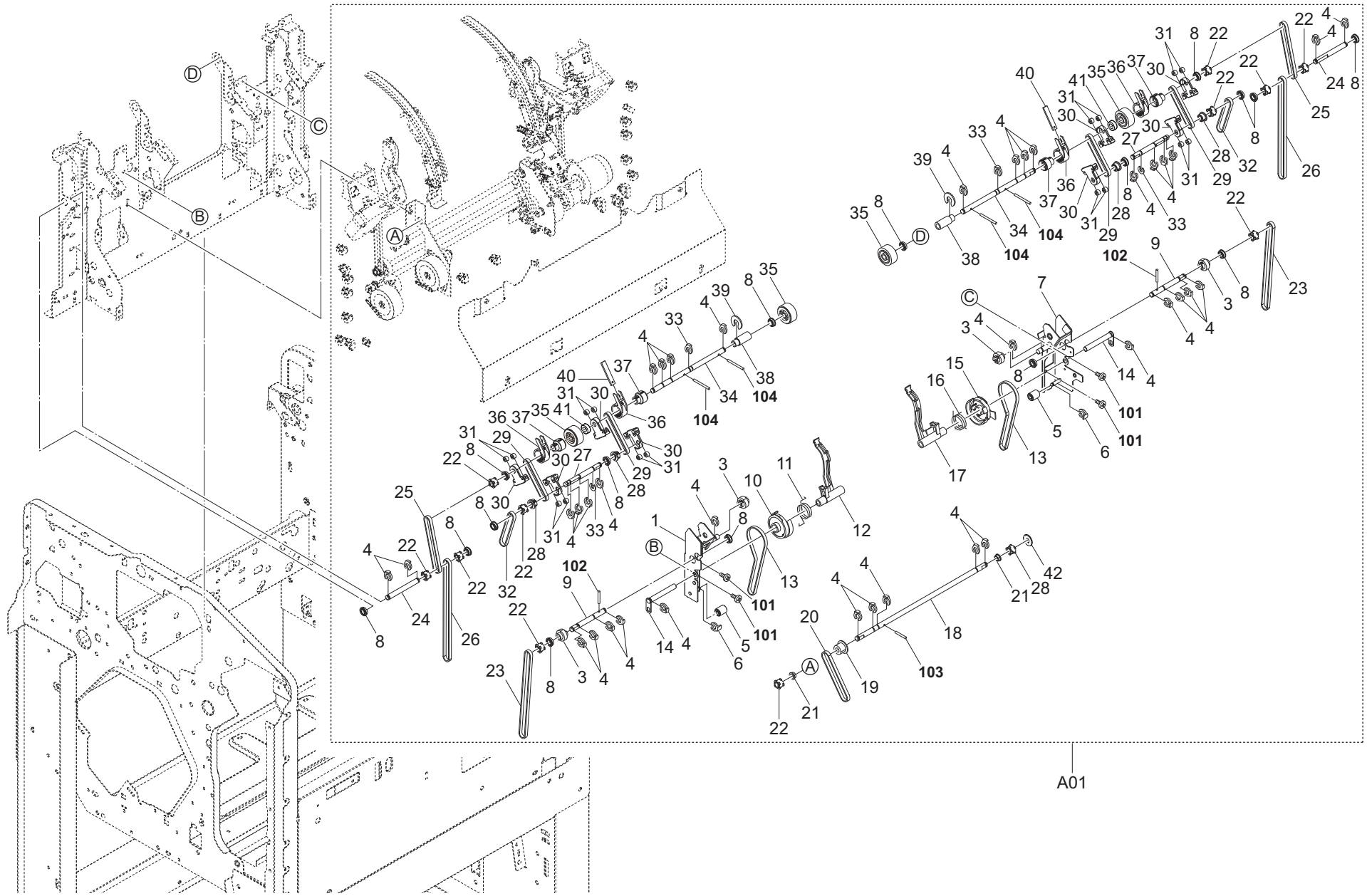


FIG. 15 Exit Section 2

| Ref No. | Part.No. | Description | Notes | Revision | Quantity | | | |
|---------|------------------|-------------------------------|-------|----------|----------|-----|-----|-----|
| | | | | | 100 | 120 | 230 | 240 |
| A01 | 303SW93010 | PARTS EJECT UNIT ASSY(SP) | | | 1 | 1 | 1 | 1 |
| 1 | *303S828400 | MOUNT SLIDER F | | | 1 | 1 | 1 | 1 |
| 3 | *303S828210 | GEAR Z16S SLIDER | | | 4 | 4 | 4 | 4 |
| 4 | *5MVX111DN003 | RING STOPPER /A-49 FEED A4 | | | 37 | 37 | 37 | 37 |
| 5 | *303LW24060 | PULLEY EJECT | | | 2 | 2 | 2 | 2 |
| 6 | *5MVX111DN007 | STOPPER 3/2BT1107 A4 | | | 2 | 2 | 2 | 2 |
| 7 | *303S828410 | MOUNT SLIDER R | | | 1 | 1 | 1 | 1 |
| 8 | *7BE006103R31H01 | BEARING MF106ZZ | | | 16 | 16 | 16 | 16 |
| 9 | *303S828680 | SHAFT SLIDER IDLE | | | 2 | 2 | 2 | 2 |
| 10 | *303S828290 | PULLEY T50 EJECT LEVER F | | | 1 | 1 | 1 | 1 |
| 11 | *303S828430 | SPRING LEVER | | | 1 | 1 | 1 | 1 |
| 12 | *303S828270 | LEVER EJECT PAPER F | | | 1 | 1 | 1 | 1 |
| 13 | *303S828440 | BELT 40S2M240 | | | 2 | 2 | 2 | 2 |
| 14 | *303S828320 | PIN EJECT LEVER IDLE | | | 2 | 2 | 2 | 2 |
| 15 | *303S828710 | PULLEY T50 EJECT LEVER R | | | 1 | 1 | 1 | 1 |
| 16 | *303S828720 | SPRING LEVER R | | | 1 | 1 | 1 | 1 |
| 17 | *303S828700 | LEVER EJECT PAPER R | | | 1 | 1 | 1 | 1 |
| 18 | *303S828330 | SHAFT EJECT LEVER DRIVE | | | 1 | 1 | 1 | 1 |
| 19 | *76514050 | PULLEY 20 DRIVE | | | 1 | 1 | 1 | 1 |
| 20 | *303S828300 | BELT 40S2M150 | | | 1 | 1 | 1 | 1 |
| 21 | *303P031160 | BUSH 6 | | | 2 | 2 | 2 | 2 |
| 22 | *303P024060 | PULLEY P16 | | | 11 | 11 | 11 | 11 |
| 23 | *303S828140 | BELT 40S2M284 | | | 2 | 2 | 2 | 2 |
| 24 | *303S828640 | SHAFT EJECT IDLE | | | 2 | 2 | 2 | 2 |
| 25 | *303S828110 | BELT 40S2M168 | | | 2 | 2 | 2 | 2 |
| 26 | *303S828030 | BELT 40S2M318 | | | 2 | 2 | 2 | 2 |
| 27 | *303S828100 | SHAFT PADDLE IDLE | | | 2 | 2 | 2 | 2 |
| 28 | *303S828490 | PULLEY P16 | | | 5 | 5 | 5 | 5 |
| 29 | *303S828310 | BELT 40S2M126 | | | 4 | 4 | 4 | 4 |
| 30 | *303S828660 | STOPPER BELT | | | 8 | 8 | 8 | 8 |
| 31 | *303S828670 | PULLEY BELT STOPPER | | | 16 | 16 | 16 | 16 |
| 32 | *303S828130 | BELT 40S2M130 | | | 2 | 2 | 2 | 2 |
| 33 | *302FB09830 | CUT WASHER 4 | | | 4 | 4 | 4 | 4 |
| 34 | *303S828020 | SHAFT EJECT | | | 2 | 2 | 2 | 2 |
| 35 | *303S894080 | PARTS PULLEY EJECT ROLLER(SP) | | | 4 | 4 | 4 | 4 |
| 36 | *303S828060 | HOLDER PADDLE | | | 4 | 4 | 4 | 4 |
| 37 | *303S828380 | PULLEY BEARING | | | 4 | 4 | 4 | 4 |
| 38 | *303S828690 | COLLAR SLIDER | | | 2 | 2 | 2 | 2 |
| 39 | *303S828220 | COLLAR PADDLE | | | 2 | 2 | 2 | 2 |
| 40 | *303S828070 | SHEET PADDLE | | | 2 | 2 | 2 | 2 |
| 41 | *7BE006124431H01 | BEARING MR126ZZ | | | 2 | 2 | 2 | 2 |
| 42 | *302HN21260 | PULLEY BELT CLN | | | 1 | 1 | 1 | 1 |
| 101 | 7BB700308H | +BIND T.T S SCREW 3X8 SR | | | | | | |
| 102 | 5MBP2010VWLD | SPRING PIN /M2 X 10 SUS-DP XX | | | | | | |
| 103 | 7BP512008B0CH01 | PARALLEL PIN 2.0X8 | | | | | | |
| 104 | 7BP512014B0CH01 | PARALLEL PIN 2.0X14 | | | | | | |

FIG. 16 Exit Section 3

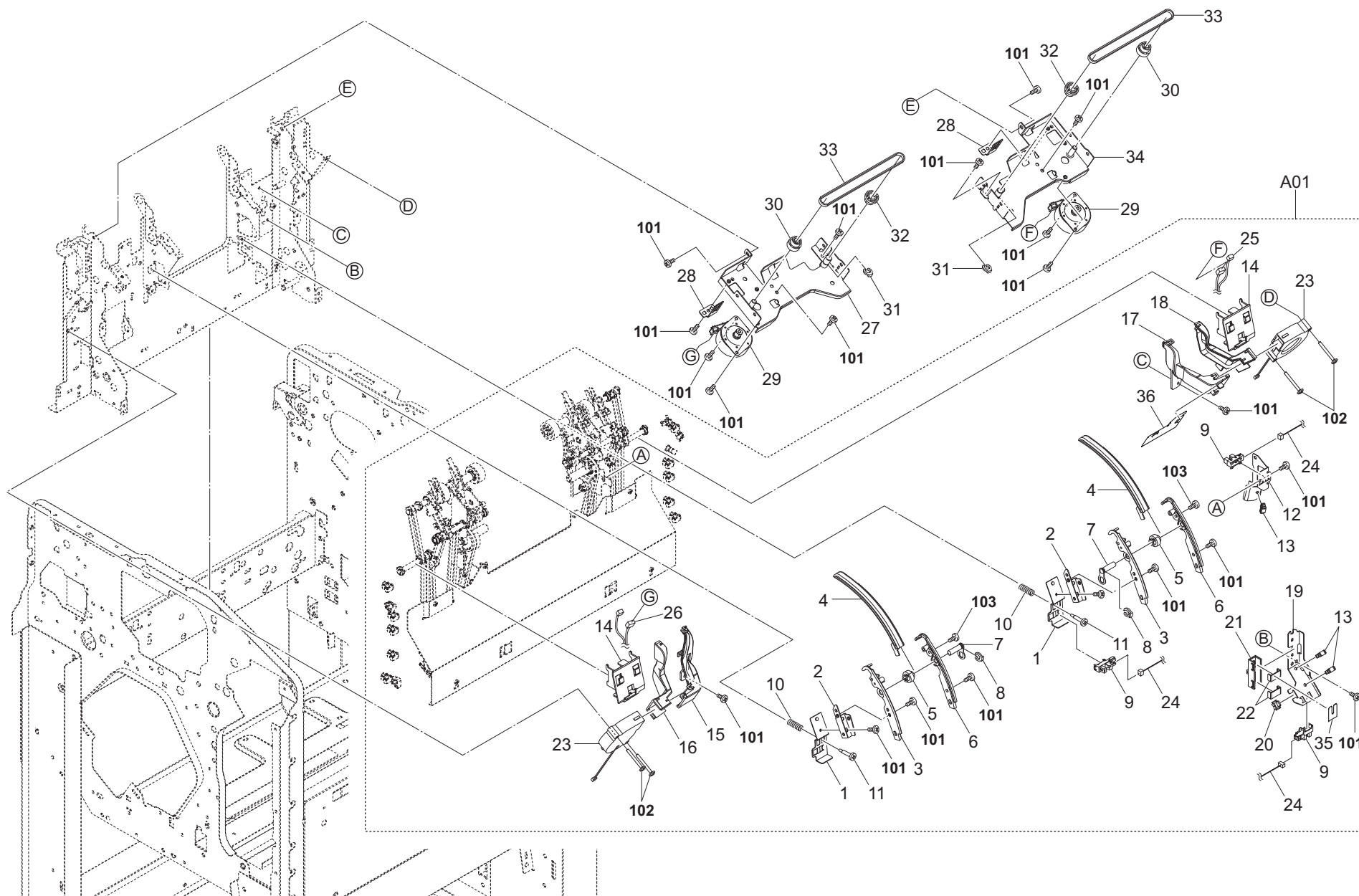


FIG. 16 Exit Section 3

| Ref No. | Part.No. | Description | Notes | Revision | Quantity | | | |
|---------|-------------------|-----------------------------------|-------|-------------|----------|-----|-----|-----|
| | | | | | 100 | 120 | 230 | 240 |
| A01 | 303SW93010 | PARTS EJECT UNIT ASSY(SP) | | | 1 | 1 | 1 | 1 |
| 1 | +303S828260 | MOUNT SLIDER PI | | | 2 | 2 | 2 | 2 |
| 2 | +303S828250 | MOUNT GUIDE SLIDER | | | 2 | 2 | 2 | 2 |
| 3 | +303S828190 | GUIDE SLIDER F | | | 2 | 2 | 2 | 2 |
| 4 | +303S828180 | SLIDER EJECT | | | 2 | 2 | 2 | 2 |
| 5 | +303S828210 | GEAR Z16S SLIDER | | | 2 | 2 | 2 | 2 |
| 6 | +303S828200 | GUIDE SLIDER R | | | 2 | 2 | 2 | 2 |
| 7 | +303S828230 | PIN SLIDER IDLE | | | 2 | 2 | 2 | 2 |
| 8 | +5MVX111DN003 | RING STOPPER /A-49 FEED A4 | | | 2 | 2 | 2 | 2 |
| 9 | +302P794010 | PARTS SENSOR OPT. SP | | | 3 | 3 | 3 | 3 |
| 10 | +2FG06070 | SPRING FEED JOINT | | | 2 | 2 | 2 | 2 |
| 11 | +302K902410 | PIN LSU RETAINER | | | 2 | 2 | 2 | 2 |
| 12 | +303S828730 | MOUNT LEVER PI | | | 1 | 1 | 1 | 1 |
| 13 | +7YZM610007+++H01 | ACCESS.SADDLE | | | 3 | 3 | 3 | 3 |
| 14 | +303S828750 | COVER BELT | | | 2 | 2 | 2 | 2 |
| 15 | +303S828610 | DUCT UPPER F | | | 1 | 1 | 1 | 1 |
| 16 | +303S828600 | DUCT LOWER F | | | 1 | 1 | 1 | 1 |
| 17 | +303S828620 | DUCT UPPER R | | | 1 | 1 | 1 | 1 |
| 18 | +303S828630 | DUCT LOWER R | | | 1 | 1 | 1 | 1 |
| 19 | +303S828390 | MOUNT PADDLE PI | | | 1 | 1 | 1 | 1 |
| 20 | +7YZM210014+++H01 | ACCESS.EDGING | | | 1 | 1 | 1 | 1 |
| 21 | +302LF39050 | GUIDE WIRE FRONT PWB | | | 1 | 1 | 1 | 1 |
| 22 | +303LL02330 | HOLDER WIRE D | | | 2 | 2 | 2 | 2 |
| 23 | +302FZ94660 | PARTS.FAN IMAGE SP | | | 2 | 2 | 2 | 2 |
| 24 | +303S846020 | CONN.CORD ASSY MID TRAY LOWER | | | 1 | 1 | 1 | 1 |
| 25 | +303S846190 | CONN.CORD ASSY WIDTH CURSOR REAR | | | 1 | 1 | 1 | 1 |
| 26 | +303S846180 | CONN.CORD ASSY WIDTH CURSOR FRONT | | | 1 | 1 | 1 | 1 |
| 35 | +303S828910 | FILM EJECT B | | | 1 | 1 | 1 | 1 |
| 36 | +303S828900 | FILM EJECT A | | | 1 | 1 | 1 | 1 |
| 27 | 303S833531 | STAY MIDDLE TRAY F | | Design-chg. | 1 | 1 | 1 | 1 |
| 28 | 303S833590 | MOUNT PI | | | 2 | 2 | 2 | 2 |
| 29 | 302HN44100 | MOTOR REVERSE | | | 2 | 2 | 2 | 2 |
| 30 | 303S833690 | GEAR Z30 P20 | | | 2 | 2 | 2 | 2 |
| 31 | 2BC06910 | STOPPER 6 | | | 2 | 2 | 2 | 2 |
| 32 | 303M407080 | PULLEY 20 | | | 2 | 2 | 2 | 2 |
| 33 | 303S833610 | BELT 40S2M300 | | | 2 | 2 | 2 | 2 |
| 34 | 303S833541 | STAY MIDDLE TRAY R | | Design-chg. | 1 | 1 | 1 | 1 |
| 101 | 7BB700308H | +BIND T.T S SCREW 3X8 SR | | | | | | |
| 102 | 7BB700430H | +BIND T.T S SCREW 4X30 SR | | | | | | |
| 103 | 7BB200308H | +BIND T.T P SCREW 3X8 | | | | | | |

FIG. 17 Exit Section 4 (Bundle)

3SW

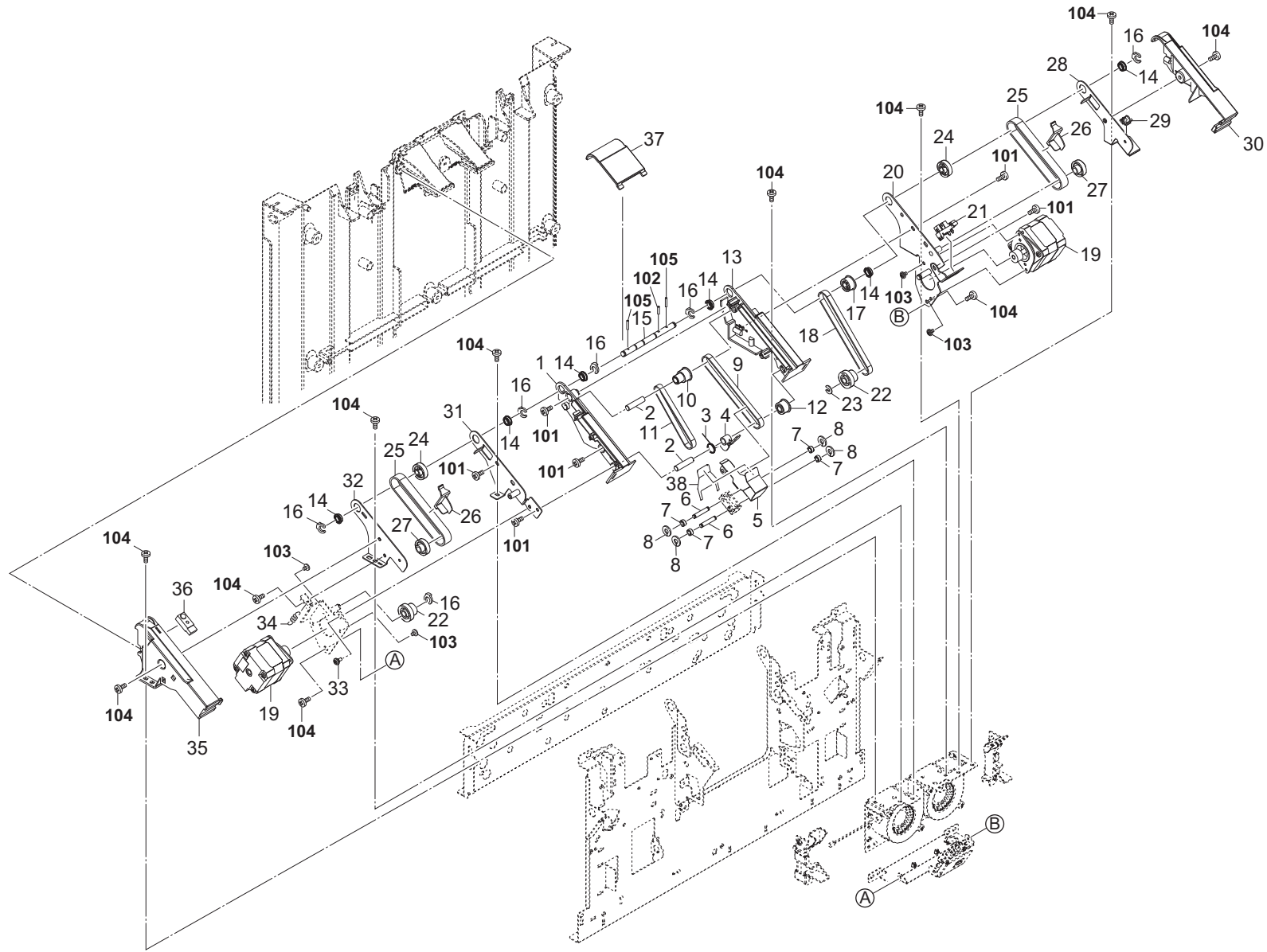


FIG. 17 Exit Section 4 (Bundle)

| Ref No. | Part.No. | Description | Notes | Revision | Quantity | | | |
|---------|-----------------|-----------------------------|-------|----------|----------|-----|-----|-----|
| | | | | | 100 | 120 | 230 | 240 |
| 1 | 303S833050 | RAIL A | | | 1 | 1 | 1 | 1 |
| 2 | 303S833160 | SHAFT A | | | 2 | 2 | 2 | 2 |
| 3 | 303S833330 | SPRING-T LEVER A | | | 1 | 1 | 1 | 1 |
| 4 | 303S833150 | LEVER SENSOR A | | | 1 | 1 | 1 | 1 |
| 5 | 303S833170 | GUIDE PAPER STOPPER | | | 1 | 1 | 1 | 1 |
| 6 | 303S833190 | SHAFT PAPER STOPPER | | | 2 | 2 | 2 | 2 |
| 7 | 303PX38070 | PULLEY MOUNT STAPLER | | | 4 | 4 | 4 | 4 |
| 8 | 302H722930 | CUT WASHER 3 | | | 4 | 4 | 4 | 4 |
| 9 | 303S833120 | BELT 60S2M220 | | | 1 | 1 | 1 | 1 |
| 10 | 303S833130 | PULLEY P22 P16 | | | 1 | 1 | 1 | 1 |
| 11 | 303S833110 | BELT 60S2M172 | | | 1 | 1 | 1 | 1 |
| 12 | 303S833140 | PULLEY P22S2M | | | 1 | 1 | 1 | 1 |
| 13 | 303S833060 | RAIL B | | | 1 | 1 | 1 | 1 |
| 14 | 7BE006103R31H01 | BEARING MF106ZZ | | | 6 | 6 | 6 | 6 |
| 15 | 303S833090 | SHAFT EJECT | | | 1 | 1 | 1 | 1 |
| 16 | 5MVX111DN003 | RING STOPPER /A-49 FEED A4 | | | 6 | 6 | 6 | 6 |
| 17 | 303S833270 | PULLEY P24S2M | | | 1 | 1 | 1 | 1 |
| 18 | 303S833200 | BELT 60S2M226 | | | 1 | 1 | 1 | 1 |
| 19 | 303NV94010 | PARTS MOTOR DP SP | | | 2 | 2 | 2 | 2 |
| 20 | 303S833250 | COVER BELT D | | | 1 | 1 | 1 | 1 |
| 21 | 302P794010 | PARTS SENSOR OPT. SP | | | 1 | 1 | 1 | 1 |
| 22 | 303S833100 | GEAR Z22R P22 | | | 2 | 2 | 2 | 2 |
| 23 | 302FB09830 | CUT WASHER 4 | | | 1 | 1 | 1 | 1 |
| 24 | 303S833280 | PULLEY P20S3M | | | 2 | 2 | 2 | 2 |
| 25 | 303S833210 | BELT 100S3M213 | | | 2 | 2 | 2 | 2 |
| 26 | 303S833300 | GUIDE PAPER | | | 2 | 2 | 2 | 2 |
| 27 | 303S833290 | PULLEY IDLE P20S3M | | | 2 | 2 | 2 | 2 |
| 28 | 303S833240 | COVER BELT C | | | 1 | 1 | 1 | 1 |
| 29 | 7YZM210014++H01 | ACCESS.EDGING | | | 1 | 1 | 1 | 1 |
| 30 | 303S833020 | COVER B | | | 1 | 1 | 1 | 1 |
| 31 | 303S833230 | COVER BELT B | | | 1 | 1 | 1 | 1 |
| 32 | 303S833220 | COVER BELT A | | | 1 | 1 | 1 | 1 |
| 33 | 3CZ02230 | PIN,HOOK FULCRUM | | | 1 | 1 | 1 | 1 |
| 34 | 303LL31390 | SPRING TENSION CONV | | | 1 | 1 | 1 | 1 |
| 35 | 303S833010 | COVER A | | | 1 | 1 | 1 | 1 |
| 36 | 303NB94140 | PARTS SENSOR OPT. SP | | | 1 | 1 | 1 | 1 |
| 37 | 303S833260 | GUIDE EJECT C | | | 1 | 1 | 1 | 1 |
| 38 | 303S833420 | FILM PAPER STOPPER C | | | 1 | 1 | 1 | 1 |
| 101 | 7BB200308H | +BIND T.T P SCREW 3X8 | | | | | | |
| 102 | 7BP512010B0CH01 | PARALLEL PIN 2.0X10 | | | | | | |
| 103 | 7BB000304H | +BIND M SCREW 3X4 | | | | | | |
| 104 | 7BB702308H | +TP-FLAT T.T S SCREW 3X8 SR | | | | | | |
| 105 | 7BP512012B0CH01 | PARALLEL PIN 2.0X12 | | | | | | |

FIG. 18 Exit Section 5 (Main Tray)

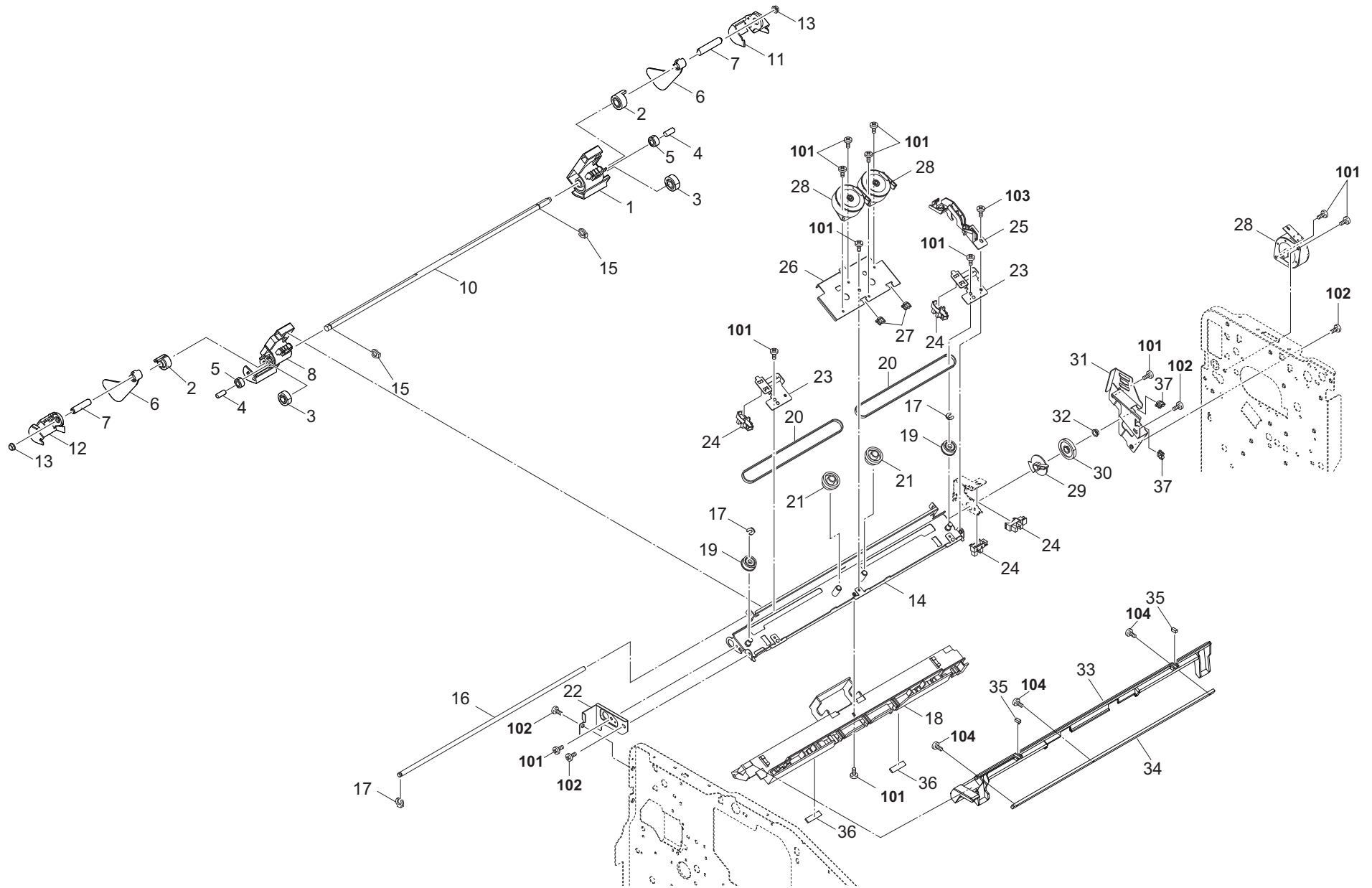


FIG. 18 Exit Section 5 (Main Tray)

| Ref No. | Part.No. | Description | Notes | Revision | Quantity | | | |
|---------|------------------|------------------------------|-------|----------|----------|-----|-----|-----|
| | | | | | 100 | 120 | 230 | 240 |
| 1 | 303S828800 | SLIDER R MAIN EXIT | | | 1 | 1 | 1 | 1 |
| 2 | 303S828860 | GEAR Z36S IDLE | | | 2 | 2 | 2 | 2 |
| 3 | 303S828840 | GEAR Z36S | | | 2 | 2 | 2 | 2 |
| 4 | 303S828830 | SHAFT CURSOR A | | | 2 | 2 | 2 | 2 |
| 5 | 303S828850 | GEAR Z24S | | | 2 | 2 | 2 | 2 |
| 6 | 303NB28010 | CURSOR MAIN EXIT | | | 2 | 2 | 2 | 2 |
| 7 | 303S828870 | SHAFT CURSOR B | | | 2 | 2 | 2 | 2 |
| 8 | 303S828790 | SLIDER F MAIN EXIT | | | 1 | 1 | 1 | 1 |
| 10 | 303S828530 | SHAFT DRIVE MAIN EXIT | | | 1 | 1 | 1 | 1 |
| 11 | 303S828820 | CAP R MAIN EXIT | | | 1 | 1 | 1 | 1 |
| 12 | 303S828810 | CAP F MAIN EXIT | | | 1 | 1 | 1 | 1 |
| 13 | 28107310 | BUSH 8 | | | 2 | 2 | 2 | 2 |
| 14 | 303NB28121 | STAY MAIN EXIT | | | 1 | 1 | 1 | 1 |
| 15 | 2BC06910 | STOPPER 6 | | | 2 | 2 | 2 | 2 |
| 16 | 303NB28100 | SHAFT GUIDE | | | 1 | 1 | 1 | 1 |
| 17 | 5MVX111DN003 | RING STOPPER /A-49 FEED A4 | | | 3 | 3 | 3 | 3 |
| 18 | 303NB28160 | GUIDE RETAINING | | | 1 | 1 | 1 | 1 |
| 19 | 302FB09610 | PULLEY 30 DU | | | 2 | 2 | 2 | 2 |
| 20 | 303NB28110 | BELT 396 | | | 2 | 2 | 2 | 2 |
| 21 | 303NB28130 | GEAR Z45-P30 | | | 2 | 2 | 2 | 2 |
| 22 | 303S828560 | MOUNT MAIN EXIT F | | | 1 | 1 | 1 | 1 |
| 23 | 303S828580 | MOUNT PI SLIDE | | | 2 | 2 | 2 | 2 |
| 24 | 302P794010 | PARTS SENSOR OPT. SP | | | 4 | 4 | 4 | 4 |
| 25 | 303S828590 | GUIDE FAN | | | 1 | 1 | 1 | 1 |
| 26 | 303NB28140 | MOUNT SLIDE DRIVE | | | 1 | 1 | 1 | 1 |
| 27 | 7YZM210014+++H01 | ACCESS.EDGING | | | 2 | 2 | 2 | 2 |
| 28 | 302HN44100 | MOTOR REVERSE | | | 3 | 3 | 3 | 3 |
| 29 | 303S828540 | PLATE TURN PULSE | | | 1 | 1 | 1 | 1 |
| 30 | 303NB28180 | GEAR Z55R | | | 1 | 1 | 1 | 1 |
| 31 | 303S828570 | MOUNT MAIN EXIT R | | | 1 | 1 | 1 | 1 |
| 32 | 303P031160 | BUSH 6 | | | 1 | 1 | 1 | 1 |
| 33 | 303S828480 | GUIDE TURN | | | 1 | 1 | 1 | 1 |
| 34 | 303S828890 | REINFORCEMENT GUIDE TURN | | | 1 | 1 | 1 | 1 |
| 35 | 302KV28170 | SEAL ACTUATOR FD | | | 2 | 2 | 2 | 2 |
| 36 | 302LW07120 | CUSHION PAD | | | 2 | 2 | 2 | 2 |
| 37 | 7YZM210006+++H01 | ACCESS.EDGING | | | 2 | 2 | 2 | 2 |
| 101 | 7BB700308H | +BIND T.T S SCREW 3X8 SR | | | | | | |
| 102 | 7BB700408H | +BIND T.T S SCREW 4X8 SR | | | | | | |
| 103 | 7BB702308H | +TP-FLAT T.T S SCREW 3X8 SR | | | | | | |
| 104 | 7BB180306H | +BIND T.T S SCREW 3X6(BLACK) | | | | | | |

FIG. 19 Exit Section 6 (Main Tray)

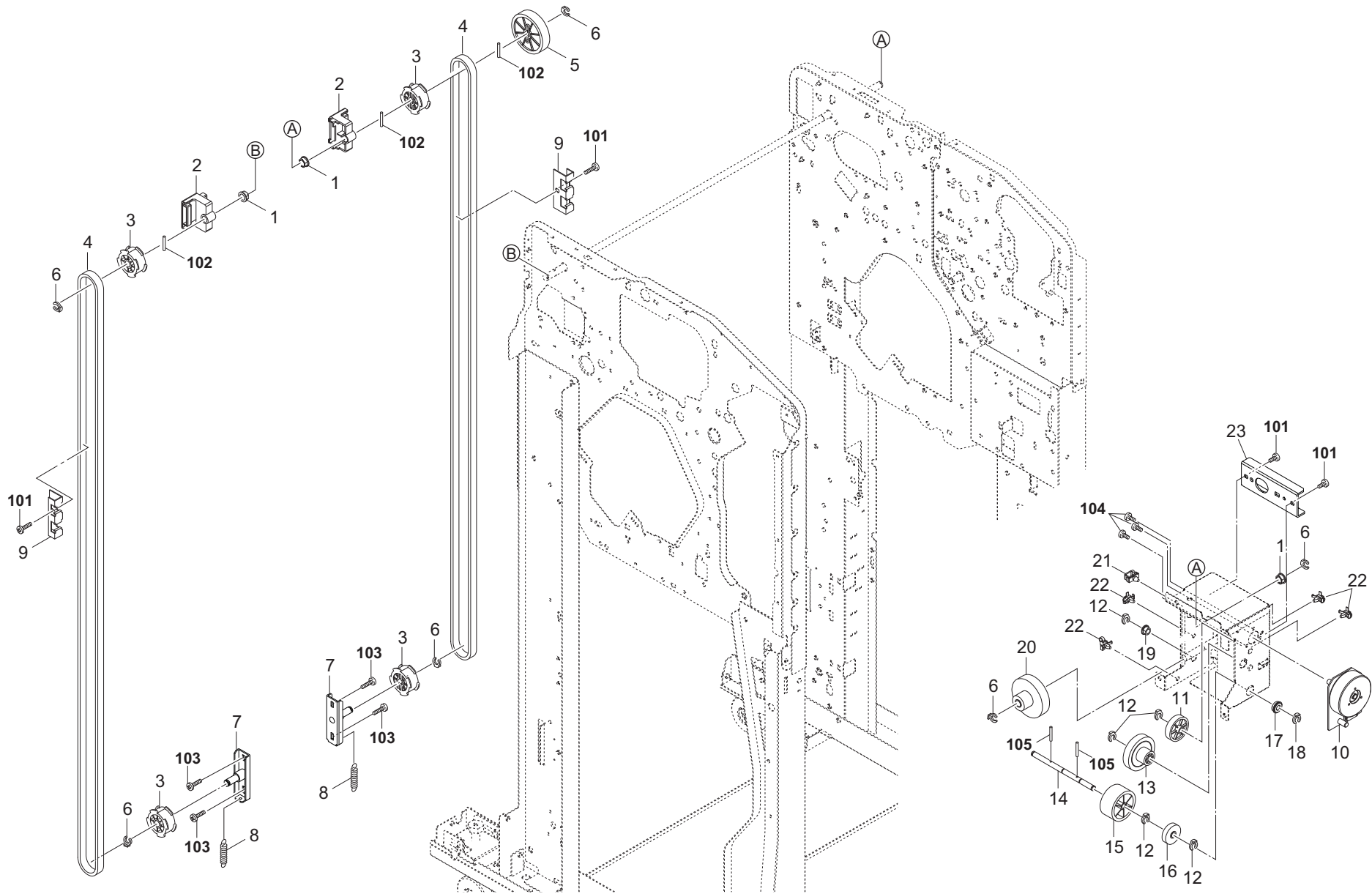


FIG. 19 Exit Section 6 (Main Tray)

| Ref No. | Part.No. | Description | Notes | Revision | Quantity | | | |
|---------|-----------------|------------------------------|------------------|----------|----------|-----|-----|-----|
| | | | | | 100 | 120 | 230 | 240 |
| 1 | 28107310 | BUSH 8 | | | 3 | 3 | 3 | 3 |
| 2 | 303S837060 | STOPPER BELT | | | 2 | 2 | 2 | 2 |
| 3 | 303NB37200 | PULLEY 20S5M | | | 4 | 4 | 4 | 4 |
| 4 | 303S837030 | BELT LIFT | | | 2 | 2 | 2 | 2 |
| 5 | 3AK20090 | GEAR 51 | | | 1 | 1 | 1 | 1 |
| 6 | 2BC06910 | STOPPER 6 | | | 6 | 6 | 6 | 6 |
| 7 | 303S837190 | PLATE TENSION | | | 2 | 2 | 2 | 2 |
| 8 | 303S837110 | SPRING | | | 2 | 2 | 2 | 2 |
| 9 | 3AK20050 | HOLDER,TIMING BELT | | | 2 | 2 | 2 | 2 |
| 10 | 303NB94054 | PARTS MOTOR-BL BRAKE SP | | | 1 | 1 | 1 | 1 |
| 11 | 303S837230 | GEAR Z60R | | | 1 | 1 | 1 | 1 |
| 12 | 5MVX111DN003 | RING STOPPER /A-49 FEED A4 | | | 5 | 5 | 5 | 5 |
| 13 | 303NB37030 | GEAR Z34L Z52L | | | 1 | 1 | 1 | 1 |
| 14 | 303S837070 | SHAFT WORM | | | 1 | 1 | 1 | 1 |
| 15 | 303S837220 | GEAR WORM | | | 1 | 1 | 1 | 1 |
| 16 | 302H731280 | GEAR Z29R MIDDLE | | | 1 | 1 | 1 | 1 |
| 17 | 74808080 | BEARING,686ZZNR | | | 1 | 1 | 1 | 1 |
| 18 | 302FZ25740 | STOPPER 4 | | | 1 | 1 | 1 | 1 |
| 19 | 302K324450 | BUSH 6 | | | 1 | 1 | 1 | 1 |
| 20 | 3AK20080 | GEAR 18/50 | | | 1 | 1 | 1 | 1 |
| 21 | 7YZM610001++H01 | ACCESS SADDLE | | | 1 | 1 | 1 | 1 |
| 22 | 7YZM410002++H01 | ACCESS.BAND | | | 4 | 4 | 4 | 4 |
| 23 | 303S837200 | PLATE REINFORCEMENT | | | 1 | 1 | 1 | 1 |
| 101 | 7BB700408H | +BIND T.T S SCREW 4X8 SR | | | | | | |
| 102 | E5125200 | PARALLEL PIN H7A 2.5X20 SUS | | | | | | |
| 103 | 7BB702410H | +TP-FLAT T.T S SCREW 4X10 SR | | | | | | |
| 104 | | BIND M SCREW 3X4 3M2510 | Obtained locally | | | | | |
| 105 | 5MBP2012WPLD | PARALLEL PIN /M2 X 12 SUS-DP | | | | | | |

FIG. 20 Drive Section

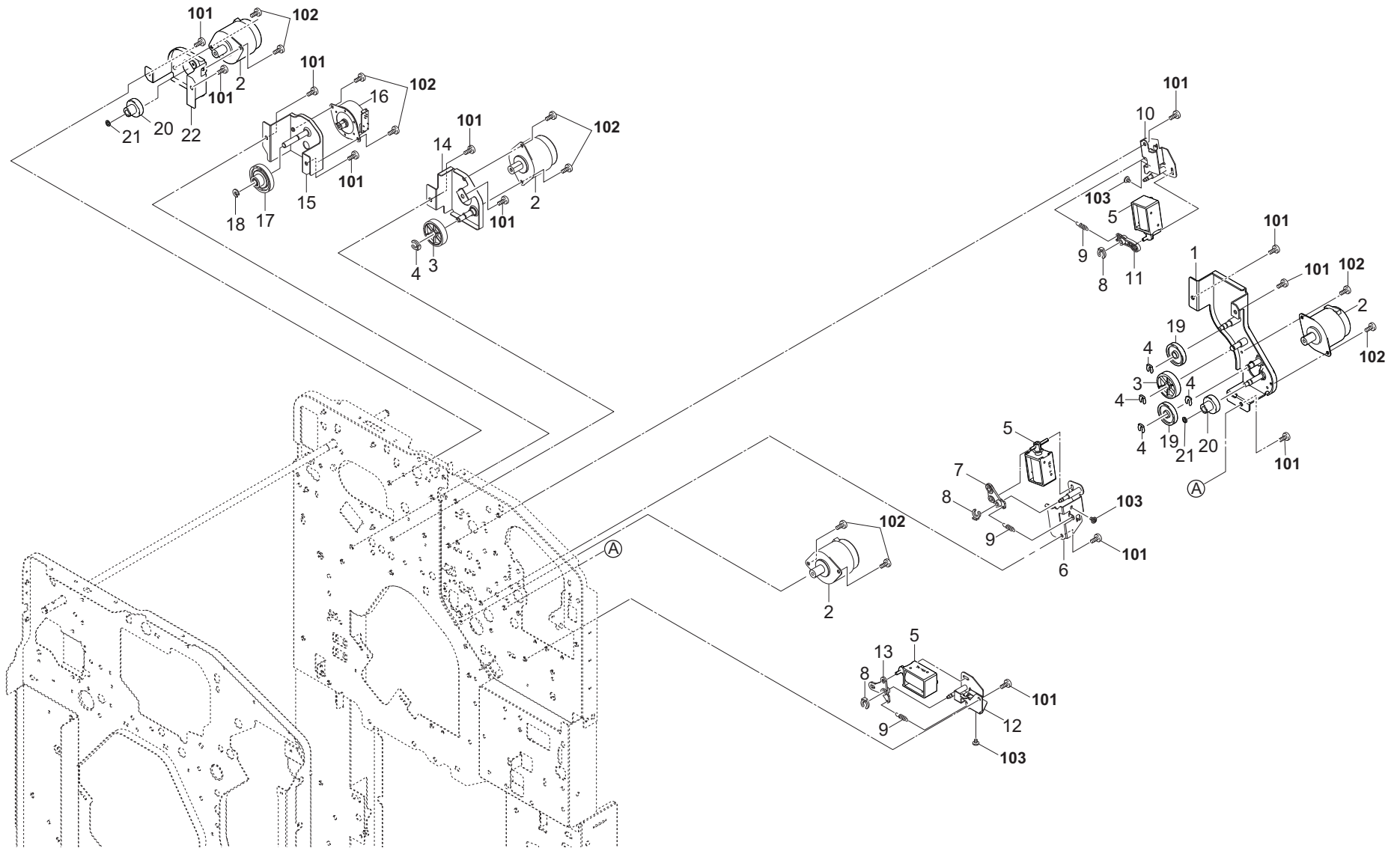


FIG. 20 Drive Section

3SW

| Ref No. | Part.No. | Description | Notes | Revision | Quantity | | | |
|---------|--------------|-----------------------------------|-------|----------|----------|-----|-----|-----|
| | | | | | 100 | 120 | 230 | 240 |
| 1 | 303SW24010 | MOUNT FEED DRIVE | | | 1 | 1 | 1 | 1 |
| 2 | 303RL94030 | PARTS MOTOR-BL INNER W20 SP | | | 4 | 4 | 4 | 4 |
| 3 | 303NB37050 | GEAR Z60R | | | 2 | 2 | 2 | 2 |
| 4 | 5MVX111DN003 | RING STOPPER /A-49 FEED A4 | | | 5 | 5 | 5 | 5 |
| 5 | 303S894140 | PARTS SOLENOID FEED SHIFT ASSY SP | | | 3 | 3 | 3 | 3 |
| 6 | 303S824110 | MOUNT SOLENOID SUBEXIT | | | 1 | 1 | 1 | 1 |
| 7 | 303S824100 | LEVER SOLENOID SUBEXIT | | | 1 | 1 | 1 | 1 |
| 8 | 302LF12410 | STOPPER 3 | | | 3 | 3 | 3 | 3 |
| 9 | 302FZ08190 | SPRING HOLDER MPT | | | 3 | 3 | 3 | 3 |
| 10 | 303S824220 | MOUNT SOLENOID SIDETRACK | | | 1 | 1 | 1 | 1 |
| 11 | 303S824210 | LEVER SOLENOID SIDETRACK | | | 1 | 1 | 1 | 1 |
| 12 | 303S824240 | MOUNT SOLENOID BF | | | 1 | 1 | 1 | 1 |
| 13 | 303S824230 | LEVER SOLENOID BF | | | 1 | 1 | 1 | 1 |
| 14 | 303S836550 | PLATE MIDDLE DRIVE | | | 1 | 1 | 1 | 1 |
| 15 | 303S836380 | MOUNT MOTOR MIDDLE HOLDER | | | 1 | 1 | 1 | 1 |
| 16 | 302HN44100 | MOTOR REVERSE | | | 1 | 1 | 1 | 1 |
| 17 | 303S836740 | GEAR Z65R-Z26R | | | 1 | 1 | 1 | 1 |
| 18 | 302FB09830 | CUT WASHER 4 | | | 1 | 1 | 1 | 1 |
| 19 | 303ND31520 | GEAR Z52L | | | 2 | 2 | 2 | 2 |
| 20 | 303SW24020 | GEAR Z20R-Z40R FEED | | | 2 | 2 | 2 | 2 |
| 21 | 2BG22990 | CUT WASHER 4 | | | 2 | 2 | 2 | 2 |
| 22 | 303SW26010 | MOUNT SUB EXIT DRIVE | | | 1 | 1 | 1 | 1 |
| 101 | 7BB700408H | +BIND T.T S SCREW 4X8 SR | | | | | | |
| 102 | 7BB700308H | +BIND T.T S SCREW 3X8 SR | | | | | | |
| 103 | 7BB007303H | +TP-CUP M SCREW 3X3 | | | | | | |

FIG. 21 Cooling Section

3SW

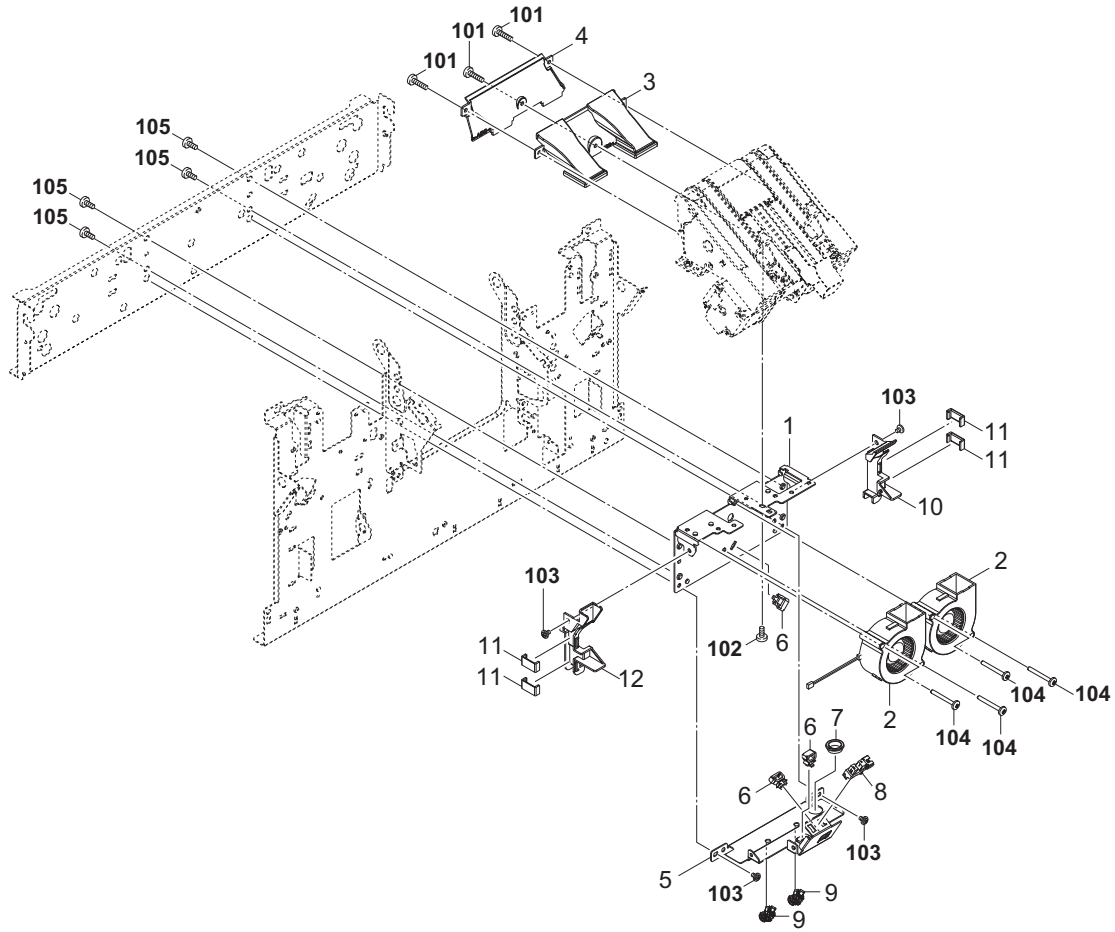


FIG. 21 Cooling Section

3SW

| Ref No. | Part.No. | Description | Notes | Revision | Quantity | | | |
|---------|-----------------|-----------------------------|-------|----------|----------|-----|-----|-----|
| | | | | | 100 | 120 | 230 | 240 |
| 1 | 303S833040 | MOUNT EJECT | | | 1 | 1 | 1 | 1 |
| 2 | 302LC94380 | PARTS FAN COOLING LSU 60 SP | | | 2 | 2 | 2 | 2 |
| 3 | 303S833370 | DUCT A | | | 1 | 1 | 1 | 1 |
| 4 | 303S833380 | DUCT B | | | 1 | 1 | 1 | 1 |
| 5 | 303S833360 | MOUNT SENSOR | | | 1 | 1 | 1 | 1 |
| 6 | 7YZM610009++H01 | ACCESS.SADDLE | | | 3 | 3 | 3 | 3 |
| 7 | 7YZM110001++H01 | ACCESS.BUSHING | | | 1 | 1 | 1 | 1 |
| 8 | 302P794010 | PARTS SENSOR OPT. SP | | | 1 | 1 | 1 | 1 |
| 9 | 7YZM410004++H01 | ACCESS.BAND | | | 2 | 2 | 2 | 2 |
| 10 | 303S833410 | GUIDE WIRE R | | | 1 | 1 | 1 | 1 |
| 11 | 303LL02330 | HOLDER WIRE D | | | 4 | 4 | 4 | 4 |
| 12 | 303S833400 | GUIDE WIRE F | | | 1 | 1 | 1 | 1 |
| 101 | 7BB200312H | +BIND T.T P SCREW 3X12 | | | | | | |
| 102 | 7BB200308H | +BIND T.T P SCREW 3X8 | | | | | | |
| 103 | 7BB702308H | +TP-FLAT T.T S SCREW 3X8 SR | | | | | | |
| 104 | 7BB700430H | +BIND T.T S SCREW 4X30 SR | | | | | | |
| 105 | 7BB700408H | +BIND T.T S SCREW 4X8 SR | | | | | | |

FIG. 22 Electrical Components

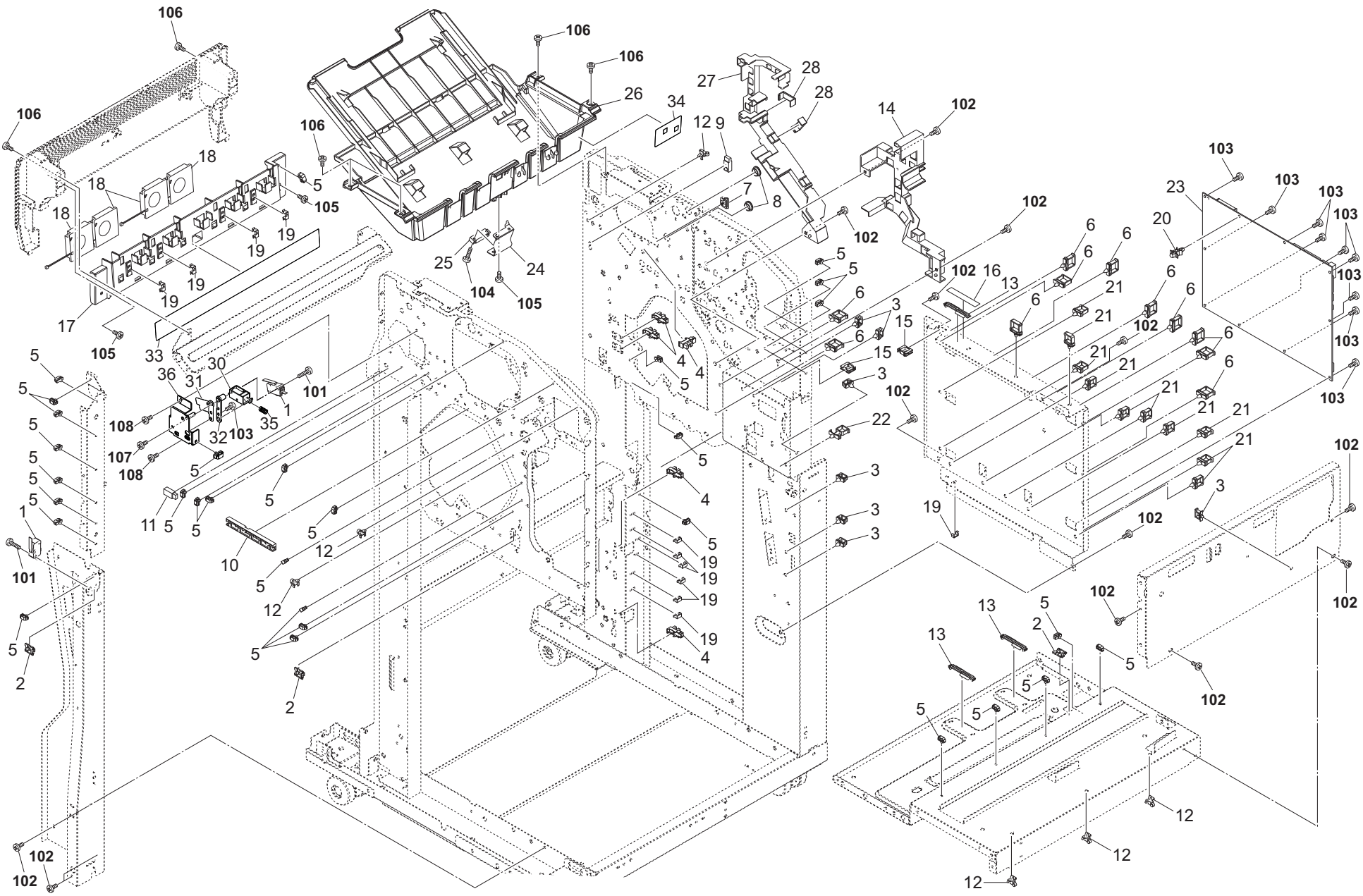


FIG. 22 Electrical Components

3SW

| Ref No. | Part.No. | Description | Notes | Revision | Quantity | | | |
|---------|------------------|-------------------------------------|-------|----------|----------|-----|-----|-----|
| | | | | | 100 | 120 | 230 | 240 |
| 1 | 7SM010102+++H01 | SW.MICRO | | | 2 | 2 | 2 | 2 |
| 2 | 7YZM210006+++H01 | ACCESS.EDGING | | | 3 | 3 | 3 | 3 |
| 3 | 7YZM610001+++H01 | ACCESS SADDLE | | | 7 | 7 | 7 | 7 |
| 4 | 302P794010 | PARTS SENSOR OPT. SP | | | 5 | 5 | 5 | 5 |
| 5 | 7YZM610007+++H01 | ACCESS.SADDLE | | | 30 | 30 | 30 | 30 |
| 6 | 7YZM610004+++H01 | ACCESS SADDLE | | | 11 | 11 | 11 | 11 |
| 7 | 7YZM210009+++H01 | ACCESS.EDGING | | | 1 | 1 | 1 | 1 |
| 8 | 7YZM110001+++H01 | ACCESS.BUSHING | | | 2 | 2 | 2 | 2 |
| 9 | 303NB94140 | PARTS SENSOR OPT. SP | | | 1 | 1 | 1 | 1 |
| 10 | 303S802210 | HOLDER WIRE | | | 1 | 1 | 1 | 1 |
| 11 | 303H327460 | SENSOR A,SEPARATION | | | 1 | 1 | 1 | 1 |
| 12 | 7YZM410002+++H01 | ACCESS.BAND | | | 6 | 6 | 6 | 6 |
| 13 | 7YZM390016+++H01 | ACCESS.CLAMP | | | 3 | 3 | 3 | 3 |
| 14 | 303S824270 | GUIDE WIRE SIDETRACK | | | 1 | 1 | 1 | 1 |
| 15 | 7YZM210005+++H01 | ACCESS.EDGING | | | 2 | 2 | 2 | 2 |
| 16 | 302R605120 | FILM FFC LCD | | | 1 | 1 | 1 | 1 |
| 17 | 303SW04130 | HOUSING FAN | | | 1 | 1 | 1 | 1 |
| 18 | 302K994A50 | PARTS FAN COOLING LSU 50 SP | | | 4 | 4 | 4 | 4 |
| 19 | 302K931080 | WIRE STOPPER | | | 11 | 11 | 11 | 11 |
| 20 | 7YZM510007+++H01 | ACCESS.SPACER | | | 1 | 1 | 1 | 1 |
| 21 | 7YZM610003+++H01 | ACCESS SADDLE | | | 10 | 10 | 10 | 10 |
| 22 | 7YZM610017+++H01 | ACCESS.SADDLE | | | 1 | 1 | 1 | 1 |
| 23 | 303SW94010 | PARTS PWB DF MAIN ASSY SP | | | 1 | 1 | 1 | 1 |
| 24 | 303S826100 | MOUNT SUB LIMIT SW | | | 1 | 1 | 1 | 1 |
| 25 | 303NW94050 | PARTS SENSOR OPT. SP | | | 1 | 1 | 1 | 1 |
| 26 | 303S804140 | COVER TRAY B EJECT | | | 1 | 1 | 1 | 1 |
| 27 | 303S839030 | GUIDE WIRE REAR RIGHT | | | 1 | 1 | 1 | 1 |
| 28 | 303LL02180 | HOLDER WIRE A | | | 2 | 2 | 2 | 2 |
| 30 | 303S894150 | PARTS SOLENOID ASSY SP | | | 1 | 1 | 1 | 1 |
| 31 | 303S836770 | LEVER INTERLOCK SW A | | | 1 | 1 | 1 | 1 |
| 32 | 303S836780 | LEVER INTERLOCK SW B | | | 1 | 1 | 1 | 1 |
| 33 | 303SW04120 | FILM FAN GUIDE | | | 1 | 1 | 1 | 1 |
| 34 | 303S826090 | FILM EXIT WIRE | | | 1 | 1 | 1 | 1 |
| 35 | 302K328150 | SPRING SOLENOID | | | 1 | 1 | 1 | 1 |
| 36 | 303S836760 | MOUNT INTERLOCK SW | | | 1 | 1 | 1 | 1 |
| 101 | 7BB700316H | +BIND T.T S SCREW 3X16 SR | | | | | | |
| 102 | 7BB700408H | +BIND T.T S SCREW 4X8 SR | | | | | | |
| 103 | 7BB700308H | +BIND T.T S SCREW 3X8 SR | | | | | | |
| 104 | 7BB700312H | +BIND T.T S SCREW 3X12 SR | | | | | | |
| 105 | 7BB200308H | +BIND T.T P SCREW 3X8 | | | | | | |
| 106 | 7BB782410H | +TP-FLAT T.T S SCREW 4X10 SR(BLACK) | | | | | | |
| 107 | 7BB000303H | +BIND M SCREW 3X3 | | | | | | |
| 108 | 7BB702308H | +TP-FLAT T.T S SCREW 3X8 SR | | | | | | |

FIG. 23 Accessories

3SW-6

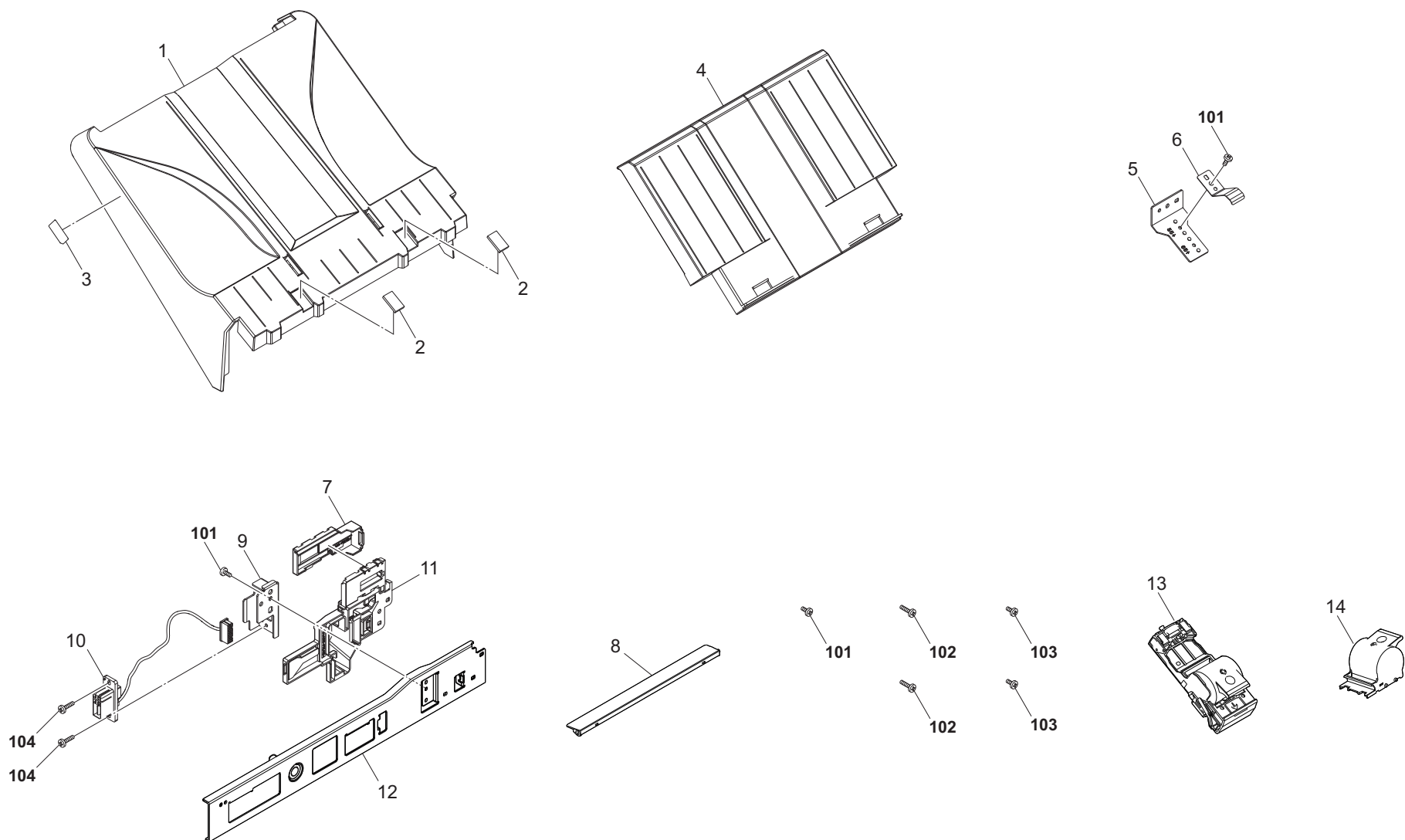


FIG. 23 Accessories

| Ref No. | Part.No. | Description | Notes | Revision | Quantity | | | |
|---------|------------|-------------------------------------|--------|-------------|----------|-----|-----|-----|
| | | | | | 100 | 120 | 230 | 240 |
| 1 | 303S837040 | TRAY MAIN UP | | | 1 | 1 | 1 | 1 |
| 2 | 303S837170 | CUSHION TRAY | | | 2 | 2 | 2 | 2 |
| 3 | 303PW34020 | LABEL A | | | 1 | 1 | 1 | 1 |
| 4 | 303RW37020 | TRAY MAIN LOW | | | 1 | 1 | 1 | 1 |
| 5 | 303NB02120 | PLATE HOLDER EARTH | | | 1 | 1 | 1 | 1 |
| 6 | 303JY02400 | PLATE EARTH RAIL | | | 1 | 1 | 1 | 1 |
| 7 | 303NB02421 | COVER INTERFACE | | | 1 | 1 | 1 | 1 |
| 8 | 303RW04090 | COVER JUNCTION TRAY C | | | 1 | 1 | 1 | 1 |
| 9 | 303NB02381 | MOUNT DRAWER | | | 1 | 1 | 1 | 1 |
| 10 | 303NB46180 | WIRE INTERFACE A | | | 1 | 1 | 1 | 1 |
| 11 | 303NB02391 | SLIDER DRAWER | | | 1 | 1 | 1 | 1 |
| 12 | 303NB02371 | PLATE JUNCTION D | | Design-chg. | 1 | 1 | 1 | 1 |
| 13 | 303S838350 | CARTRIDGE EH1200 | | | 1 | 1 | 1 | 1 |
| 14 | 1903S80UN0 | SH-14/STAPLE HOLDER | OPTION | | 1 | 1 | 1 | 1 |
| 101 | 7BB700408H | +BIND T.T S SCREW 4X8 SR | | | | | | |
| 102 | 7BB780420H | +BIND T.T S SCREW 4X20 SR(BLACK) | | | | | | |
| 103 | 7BB782410H | +TP-FLAT T.T S SCREW 4X10 SR(BLACK) | | | | | | |
| 104 | 7BB700412H | +BIND T.T S SCREW 4X12 SR | | | | | | |



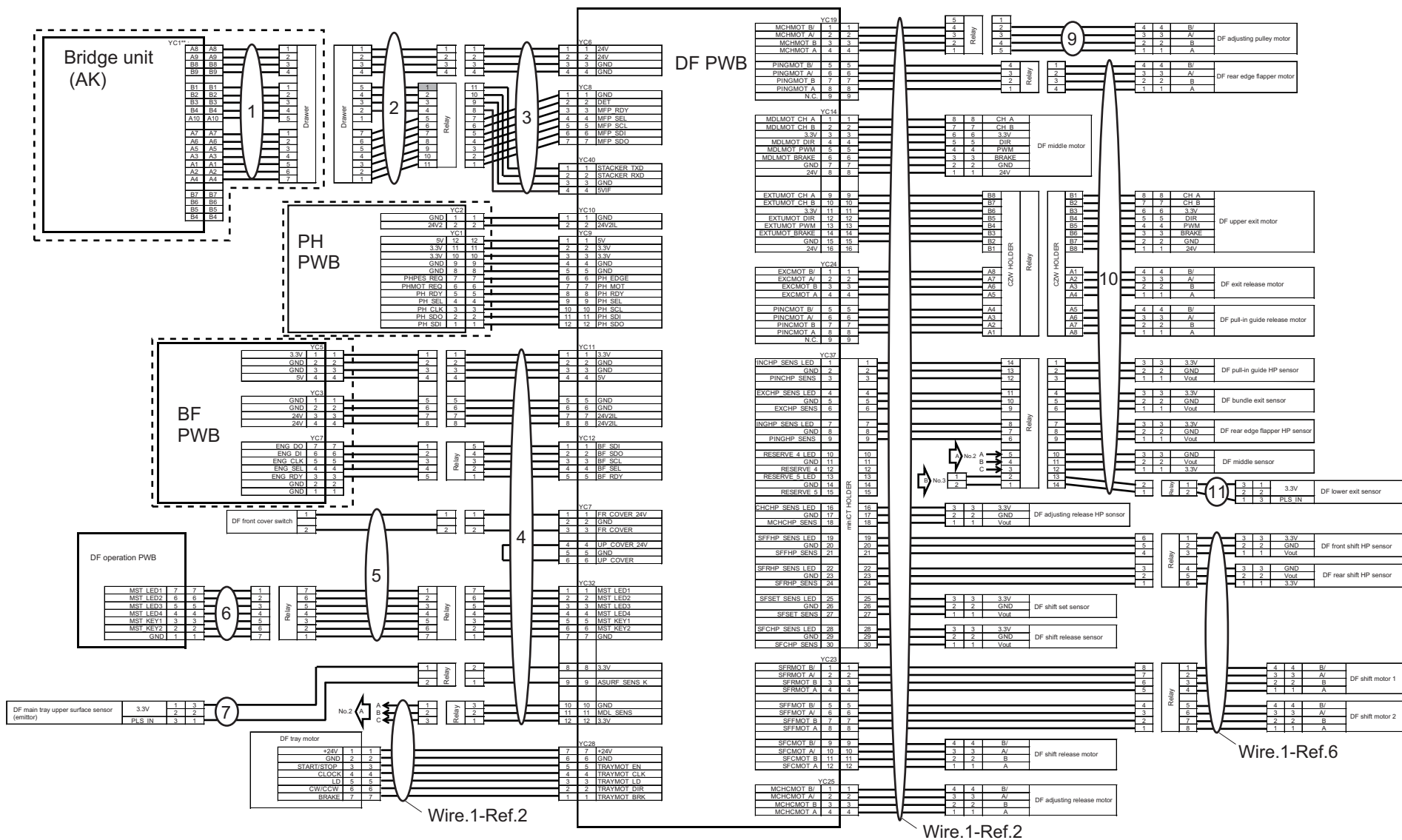
Wire. 1 Wire Section (EN) 1

3SW

| Ref No. | Part.No. | Description | Notes | Revision | Quantity | | | |
|---------|------------|------------------------------------|------------------------------|----------|----------|-----|-----|-----|
| | | | | | 100 | 120 | 230 | 240 |
| 1 | 303S846120 | CONN.CORD ASSY SENSOR | | | 1 | 1 | 1 | 1 |
| 2 | 303S846150 | CONN.CORD ASSY MIDDLE HOLDER DRIVE | Relative Fig.No.:Wire.2 | | 1 | 1 | 1 | 1 |
| 3 | 303S846090 | CONN.CORD ASSY STAPLER UNIT | for Old Stapler Base machine | | 1 | 1 | 1 | 1 |
| 3 | 303S846320 | CONN.CORD ASSY STAPLER UNIT 2 | for New Stapler Base machine | | 1 | 1 | 1 | 1 |
| 4 | 303S846050 | CONN.CORD ASSY FFC STAPLER | | | 1 | 1 | 1 | 1 |
| 5 | 303SW46040 | CONN.CORD ASSY BLOW FAN | | | 1 | 1 | 1 | 1 |
| 6 | 303S846240 | CONN.CORD ASSY SHIFT UNIT | Relative Fig.No.:Wire.2 | | 1 | 1 | 1 | 1 |
| 7 | 303SW46030 | CONN.CORD ASSY REAR RIGHT | | | 1 | 1 | 1 | 1 |
| 8 | 303SW46010 | CONN.CORD ASSY DRUM UNIT | | | 1 | 1 | 1 | 1 |
| 9 | 303S846110 | CONN.CORD ASSY CARRY IN | | | 1 | 1 | 1 | 1 |
| 10 | 303S846060 | CONN.CORD ASSY DRUM SENS | | | 2 | 2 | 2 | 2 |
| 11 | 303S846250 | CONN.CORD ASSY SUB EXIT | | | 1 | 1 | 1 | 1 |
| 12 | 303S846070 | CONN.CORD ASSY SUB EXIT FULL | | | 1 | 1 | 1 | 1 |
| 13 | 303S846170 | CONN.CORD ASSY REAR LEFT | Relative Fig.No.:Wire.3 | | 1 | 1 | 1 | 1 |
| 14 | 303S846020 | CONN.CORD ASSY MID TRAY LOWER | Relative Fig.No.:Wire.3 | | 1 | 1 | 1 | 1 |
| 15 | 303SW46060 | CONN.CORD ASSY CARRY IN TIMING | | | 1 | 1 | 1 | 1 |

• Wire Section indicates all the wires/FFCs containing them in other FIGs.

• Wire Section には全ての電線 /FFC (他 FIG の電線 /FFC 含む) を掲載しています。



Wire. 2 Wire Section (EN) 2

3SW

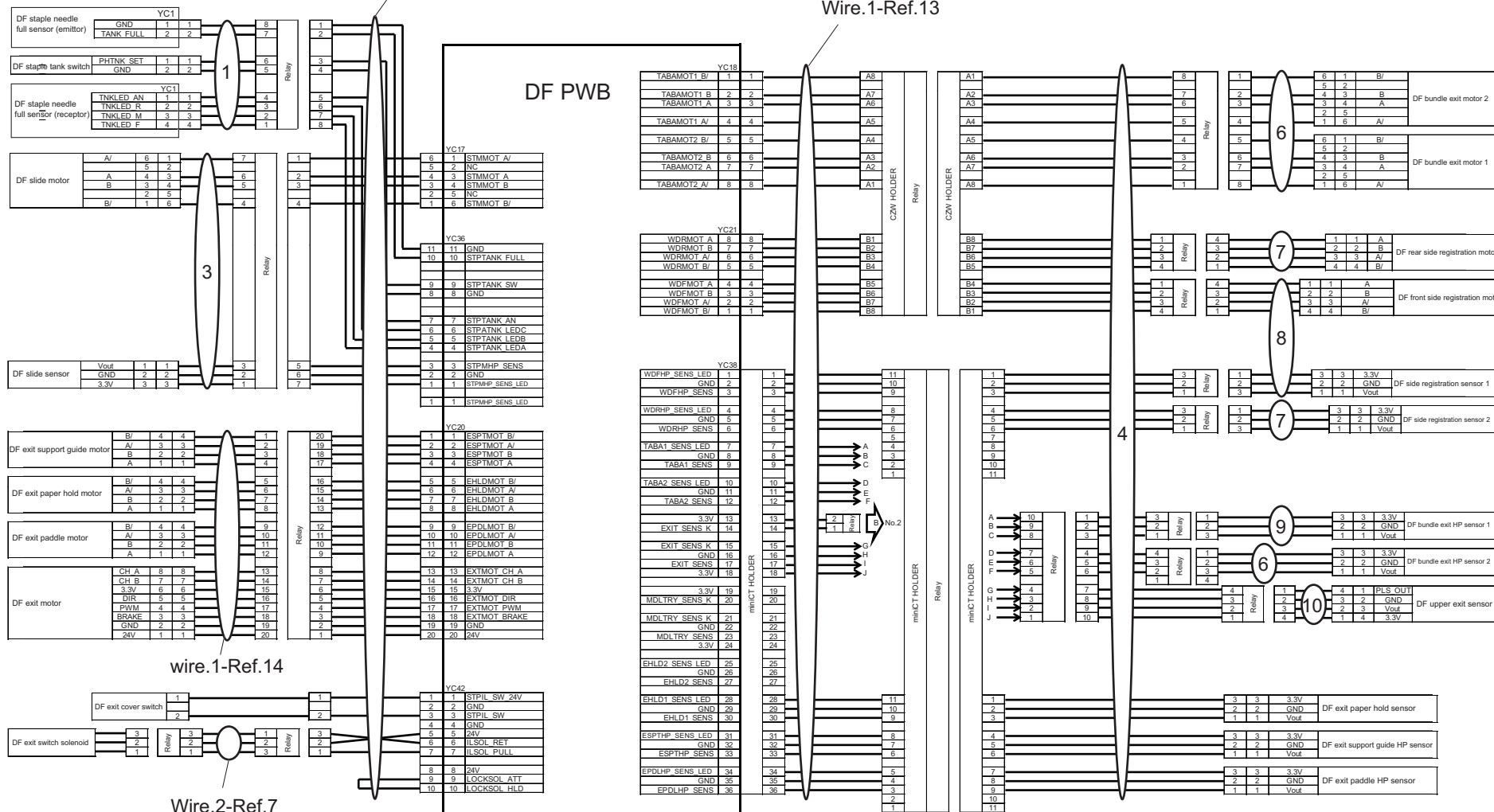
| Ref No. | Part.No. | Description | Notes | Revision | Quantity | | | |
|---------|------------|--------------------------------|-------------------------|----------|----------|-----|-----|-----|
| | | | | | 100 | 120 | 230 | 240 |
| 1 | 303NB46180 | WIRE INTERFACE A | | | 1 | 1 | 1 | 1 |
| 2 | 303SW46050 | CONN.CORD ASSY INTERFACE B | | | 1 | 1 | 1 | 1 |
| 3 | 303SW46020 | CONN.CORD ASSY INTERFACE JOINT | | | 1 | 1 | 1 | 1 |
| 4 | 303S846200 | CONN.CORD ASSY BOOKLET JOINT | | | 1 | 1 | 1 | 1 |
| 5 | 303S846130 | CONN.CORD ASSY FRONT1 | | | 1 | 1 | 1 | 1 |
| 6 | 303NB46160 | WIRE OPERATION | | | 1 | 1 | 1 | 1 |
| 7 | 303S846220 | CONN.CORD ASSY FRONT2 | Relative Fig.No.:Wire.3 | | 1 | 1 | 1 | 1 |
| 9 | 303S846080 | CONN.CORD ASSY MOTOR JOINT | | | 1 | 1 | 1 | 1 |
| 10 | 303S846010 | CONN.CORD ASSY MID TRAY UPPER | | | 1 | 1 | 1 | 1 |
| 11 | 303S846230 | CONN.CORD ASSY MAIN EXIT1 | | | 1 | 1 | 1 | 1 |
| | | | | | | | | |
| | | | | | | | | |
| | | | | | | | | |
| | | | | | | | | |
| | | | | | | | | |
| | | | | | | | | |
| | | | | | | | | |
| | | | | | | | | |
| | | | | | | | | |
| | | | | | | | | |
| | | | | | | | | |
| | | | | | | | | |
| | | | | | | | | |
| | | | | | | | | |
| | | | | | | | | |
| | | | | | | | | |
| | | | | | | | | |
| | | | | | | | | |
| | | | | | | | | |
| | | | | | | | | |
| | | | | | | | | |
| | | | | | | | | |
| | | | | | | | | |
| | | | | | | | | |

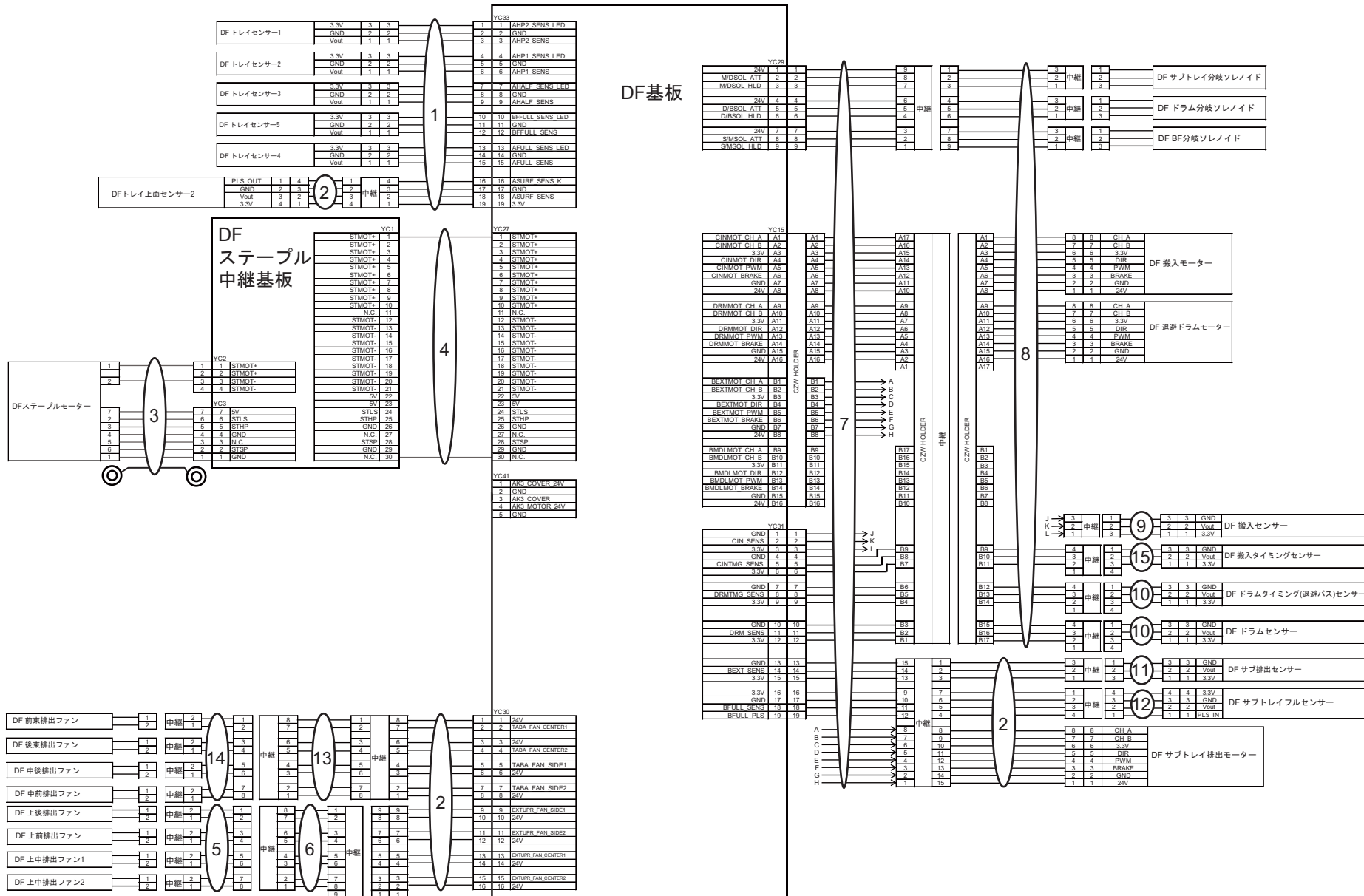
• Wire Section indicates all the wires/FFCs containing them in other FIGs.

• Wire Section には全ての電線 /FFC（他 FIG の電線 /FFC 含む）を掲載しています。

Wire.1-Ref.13

Wire.1-Ref.13





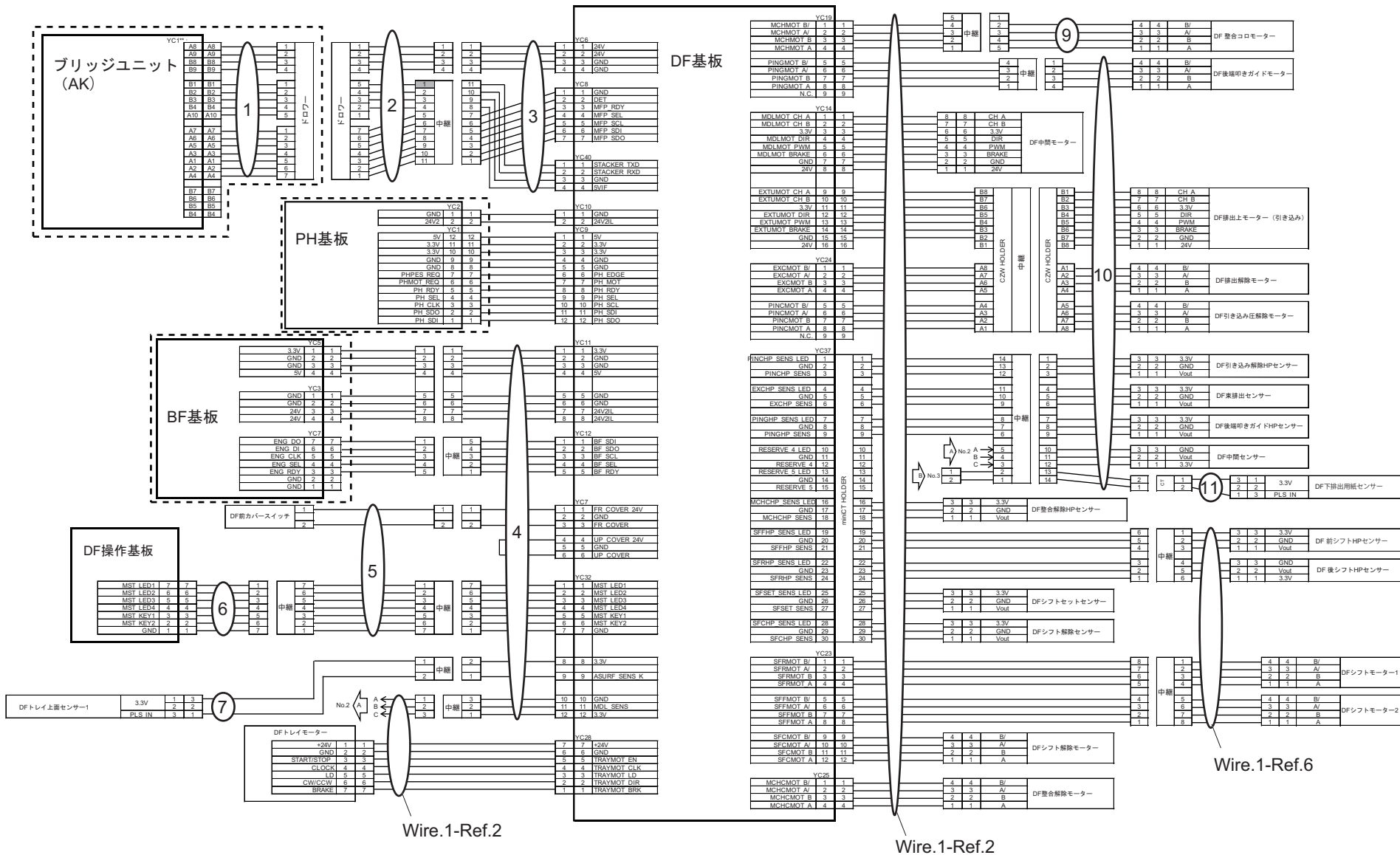
Wire. 1 Wire Section (JA) 1

3SW

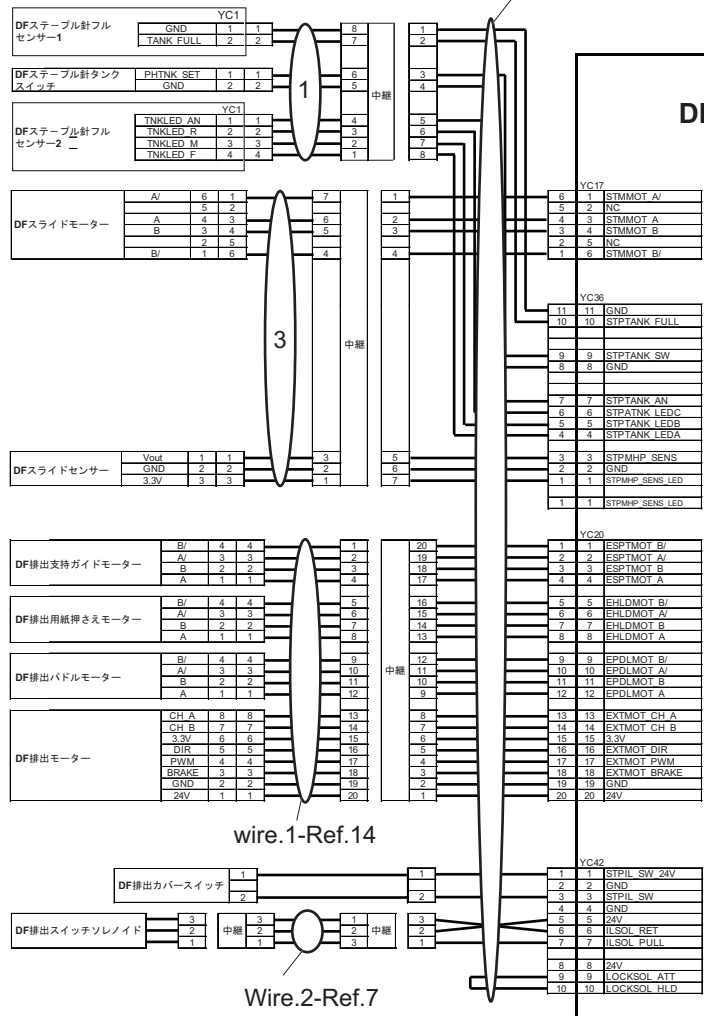
| Ref No. | Part.No. | Description | Notes | Revision | Quantity | | | |
|---------|------------|------------------------------------|-------------------|----------|----------|-----|-----|-----|
| | | | | | 100 | 120 | 230 | 240 |
| 1 | 303S846120 | CONN.CORD ASSY SENSOR | | | 1 | 1 | 1 | 1 |
| 2 | 303S846150 | CONN.CORD ASSY MIDDLE HOLDER DRIVE | 関連 Fig.No.:Wire.2 | | 1 | 1 | 1 | 1 |
| 3 | 303S846090 | CONN.CORD ASSY STAPLER UNIT | 旧ステープルベース機用 | | 1 | 1 | 1 | 1 |
| 3 | 303S846320 | CONN.CORD ASSY STAPLER UNIT 2 | 新ステープルベース機用 | | 1 | 1 | 1 | 1 |
| 4 | 303S846050 | CONN.CORD ASSY FFC STAPLER | | | 1 | 1 | 1 | 1 |
| 5 | 303SW46040 | CONN.CORD ASSY BLOW FAN | | | 1 | 1 | 1 | 1 |
| 6 | 303S846240 | CONN.CORD ASSY SHIFT UNIT | 関連 Fig.No.:Wire.2 | | 1 | 1 | 1 | 1 |
| 7 | 303SW46030 | CONN.CORD ASSY REAR RIGHT | | | 1 | 1 | 1 | 1 |
| 8 | 303SW46010 | CONN.CORD ASSY DRUM UNIT | | | 1 | 1 | 1 | 1 |
| 9 | 303S846110 | CONN.CORD ASSY CARRY IN | | | 1 | 1 | 1 | 1 |
| 10 | 303S846060 | CONN.CORD ASSY DRUM SENS | | | 2 | 2 | 2 | 2 |
| 11 | 303S846250 | CONN.CORD ASSY SUB EXIT | | | 1 | 1 | 1 | 1 |
| 12 | 303S846070 | CONN.CORD ASSY SUB EXIT FULL | | | 1 | 1 | 1 | 1 |
| 13 | 303S846170 | CONN.CORD ASSY REAR LEFT | 関連 Fig.No.:Wire.3 | | 1 | 1 | 1 | 1 |
| 14 | 303S846020 | CONN.CORD ASSY MID TRAY LOWER | 関連 Fig.No.:Wire.3 | | 1 | 1 | 1 | 1 |
| 15 | 303SW46060 | CONN.CORD ASSY CARRY IN TIMING | | | 1 | 1 | 1 | 1 |

• Wire Section indicates all the wires/FFCs containing them in other FIGs.

• Wire Section には全ての電線 /FFC (他 FIG の電線 /FFC 含む) を掲載しています。



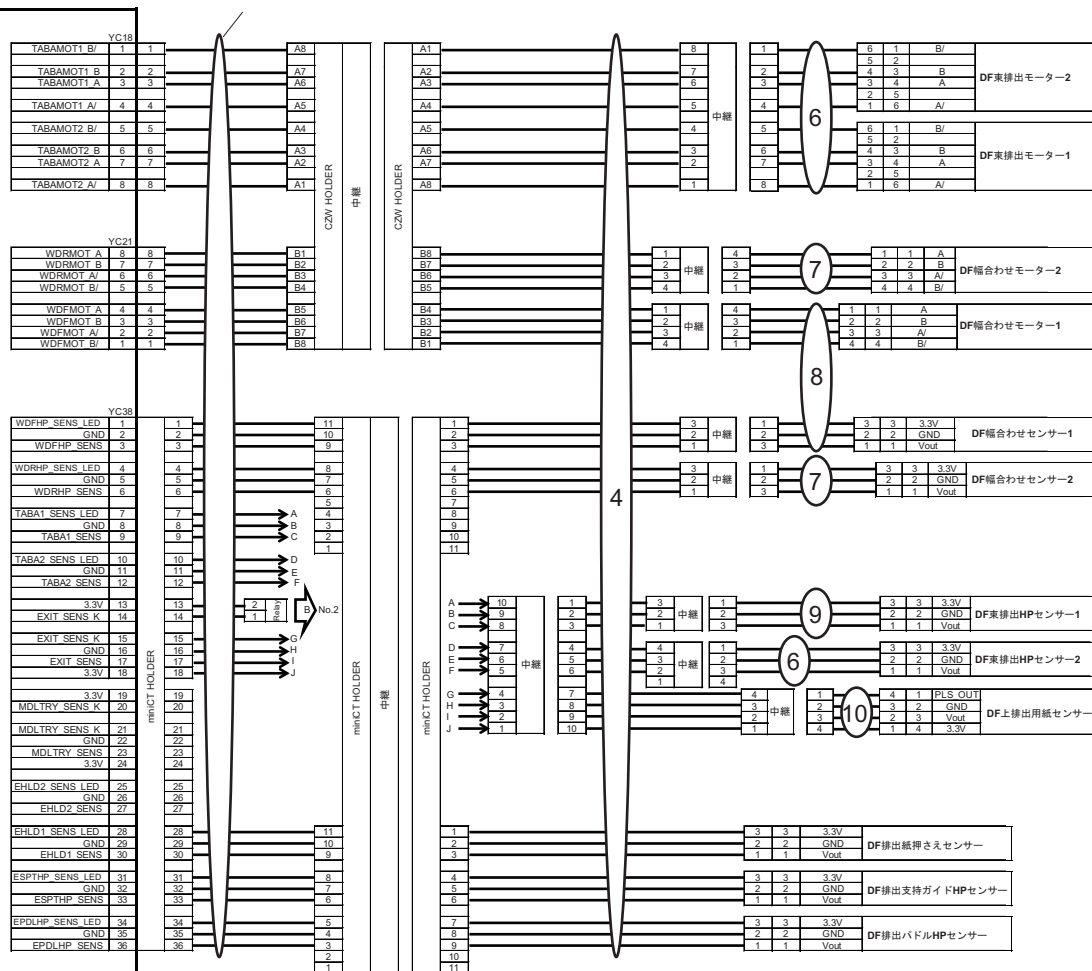
Wire.1-Ref.13



wire.1-Ref.14

Wire.2-Ref.7

Wire.1-Ref.13



FAX System 12

[CONFIDENTIAL]

FOR AUTHORIZED KYOCERA ENGINEERS ONLY. DO NOT DISTRIBUTE TO NON-AUTHORIZED PARTIES.

Items listed in the revision columns are defined as follows.

| Item | Description |
|---------------|---|
| Add | Add a new part |
| Del | Delete a part |
| Design-chg. | A design changed part (Parts number version up) |
| Part No.-chg. | A part number is changed to other one. |
| Quantity-chg. | Change Quantity of parts to use |
| Others | Other changes |
| Correction | Correction |

Revision history

| Rev. | Date | Remarks |
|------|---------------|---------|
| 2 | November 2016 | Others |
| | | |
| | | |
| | | |
| | | |
| | | |

Symbols in the parts list

- Parts without a Ref.No. in the illustration indicate they are not supplied.
- Parts with "*" are component parts or sub-assemblies of the assembly appearing immediately above them.
- Parts with "**" are component parts or sub-assembly with "*" appearing immediately above them.

[CONFIDENTIAL]

京セラドキュメントソリューションズ株式会社の許可なく、本資料を配布することを禁じます。

改訂欄記載項目の内容は以下の通りです。

| 記載項目 | 内容 |
|---------------|--------------|
| Add | 新規部品の追加 |
| Del | 部品の削除 |
| Design-chg. | 部品の設変(版数アップ) |
| Part No.-chg. | 部品番号の変更 |
| Quantity-chg. | 部品の個数変更 |
| Others | その他の変更 |
| Correction | 誤記訂正 |

改訂履歴

| Rev. | 改訂日 | 備考 |
|------|----------|--------|
| 2 | 2016年11月 | Others |
| | | |
| | | |
| | | |
| | | |
| | | |

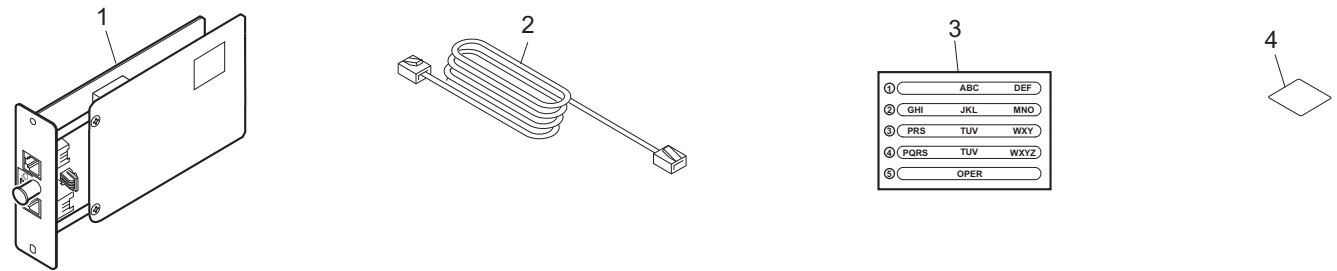
記号の見方

- イラスト中で Ref 番号がない部品は供給できません。
- 部品番号欄の・印は、組立部品の単品部品及び準組立部品を表わします。
- 部品番号欄の**印は、準組立部品の単品部品を表わします。

— CONTENTS —

FIG. 1 FAX System 12 2

FIG. 1 FAX System 12



MT-730(B)

[CONFIDENTIAL]

FOR AUTHORIZED KYOCERA ENGINEERS ONLY. DO NOT DISTRIBUTE TO NON-AUTHORIZED PARTIES.

Items listed in the revision columns are defined as follows.

| Item | Description |
|---------------|---|
| Add | Add a new part |
| Del | Delete a part |
| Design-chg. | A design changed part (Parts number version up) |
| Part No.-chg. | A part number is changed to other one. |
| Quantity-chg. | Change Quantity of parts to use |
| Others | Other changes |
| Correction | Correction |

Revision history

| Rev. | Date | Remarks |
|------|--------------|---------------|
| 7 | January 2018 | Design change |
| | | |
| | | |
| | | |
| | | |
| | | |

Symbols in the parts list

- Parts without a Ref.No. in the illustration indicate they are not supplied.
- Parts with "•" are component parts or sub-assemblies of the assembly appearing immediately above them.
- Parts with "••" are component parts or sub-assembly with "•" appearing immediately above them.

[CONFIDENTIAL]

京セラドキュメントソリューションズ株式会社の許可なく、本資料を配布することを禁じます。

Revision 欄記載項目の内容は以下の通りです。

| 記載項目 | 内容 |
|---------------|--------------|
| Add | 新規部品の追加 |
| Del | 部品の削除 |
| Design-chg. | 部品の設変(版数アップ) |
| Part No.-chg. | 部品番号の変更 |
| Quantity-chg. | 部品の個数変更 |
| Others | その他の変更 |
| Correction | 誤記訂正 |

改版履歴

| Rev. | 改訂日 | 備考 |
|------|---------|------|
| 7 | 2018年1月 | 設変対応 |
| | | |
| | | |
| | | |
| | | |
| | | |

記号の見方

- イラスト中で Ref 番号がない部品は供給できません。
- 部品番号欄の • 印は、組立部品の単品部品及び準組立部品を表わします。
- 部品番号欄の •• 印は、準組立部品の単品部品を表わします。

— CONTENTS —

| | | |
|--------|------------------------------------|----|
| FIG. 1 | Covers | 2 |
| FIG. 2 | Paper Conveying Section 1 | 4 |
| FIG. 3 | Paper Conveying Section 2 | 7 |
| FIG. 4 | Accessories | 9 |
| FIG. 5 | Options (AK-736) (MT-730(B)) | 11 |

FIG. 1 Covers

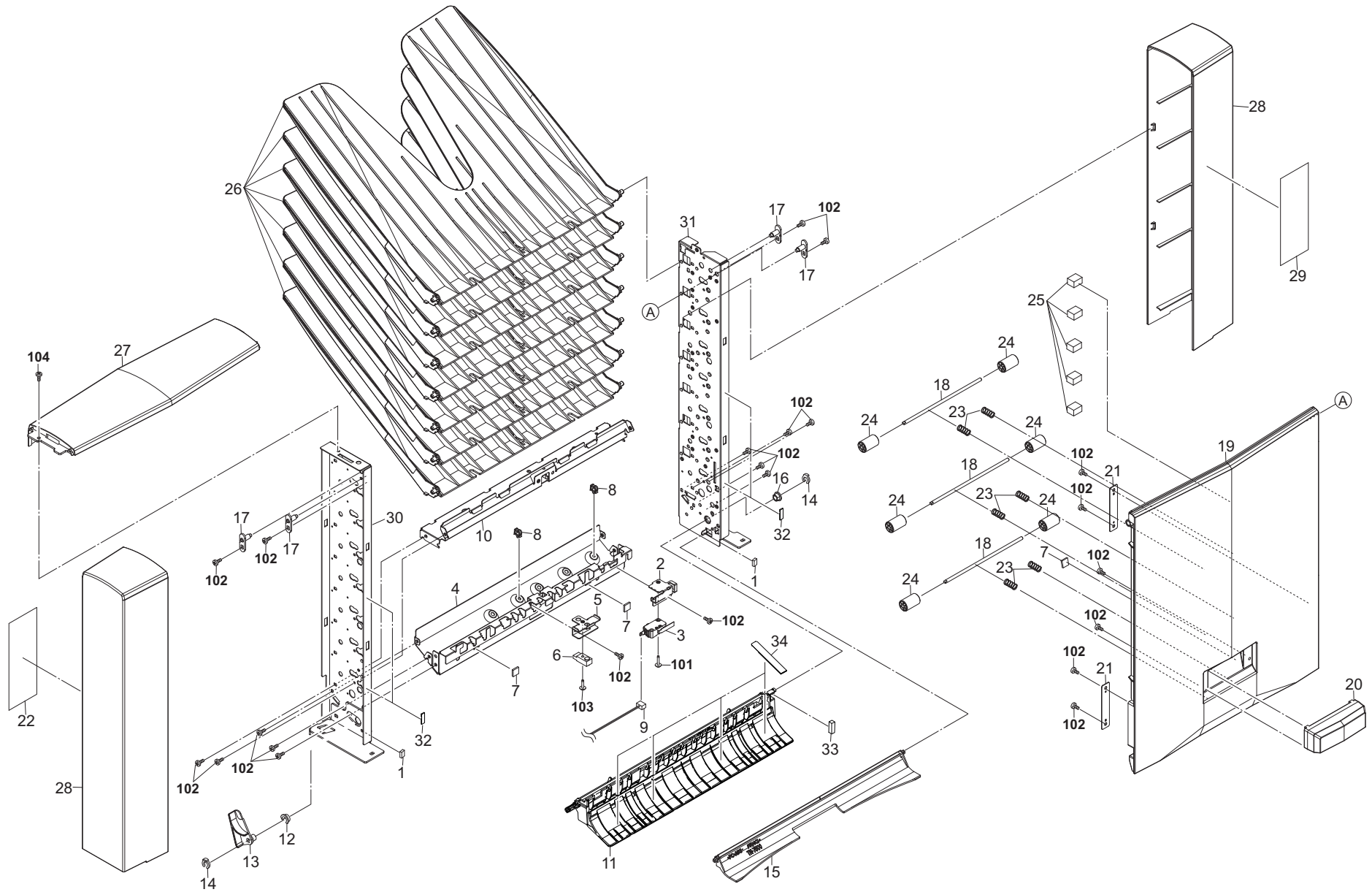


FIG. 2 Paper Conveying Section 1

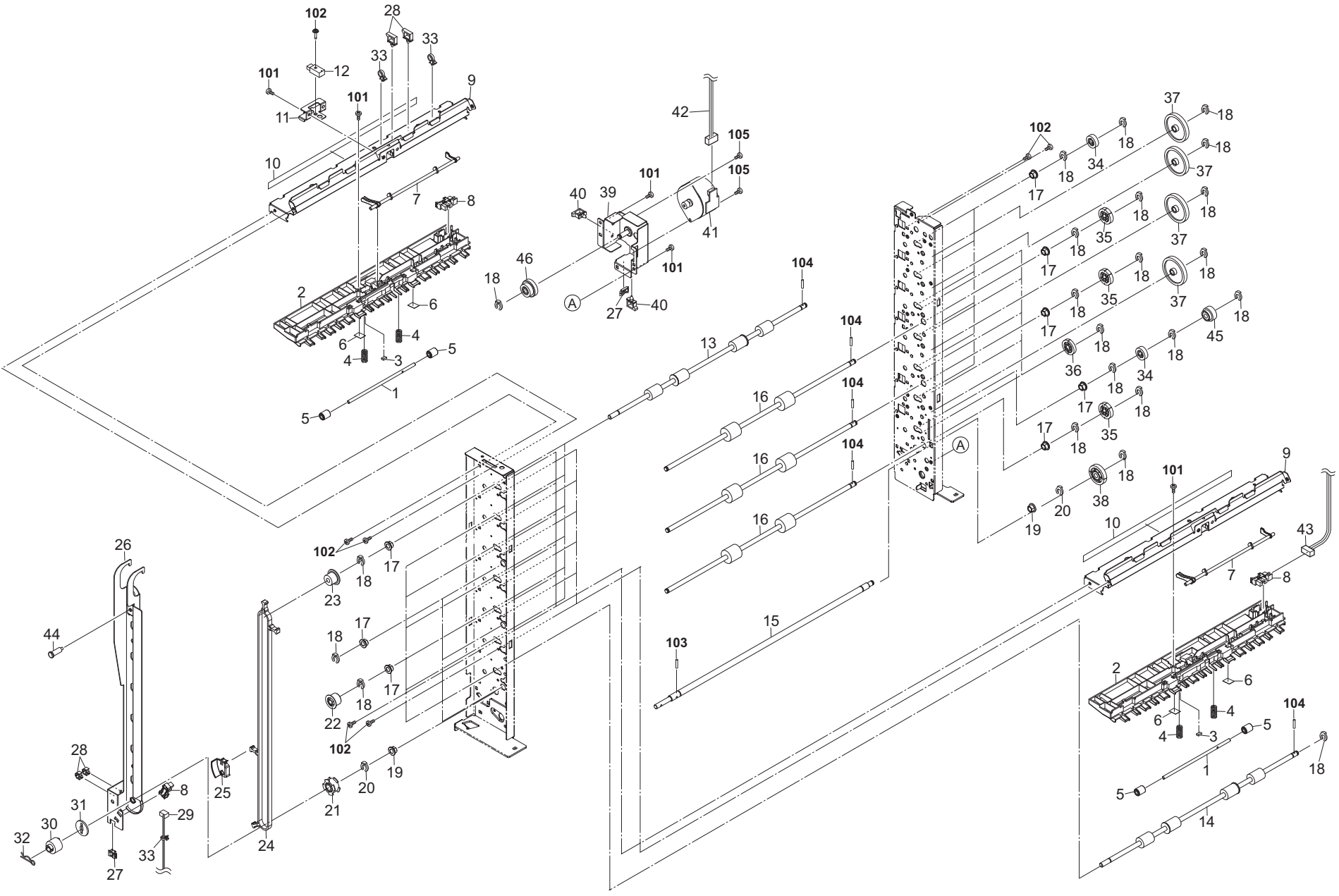


FIG. 2 Paper Conveying Section 1

3N0

| Ref No. | Part.No. | Description | Notes | Revision | Quantity | | | |
|---------|-----------------|----------------------------|-------|----------|----------|-----|-----|-----|
| | | | | | 100 | 120 | 230 | 240 |
| 1 | 303JY38180 | SHAFT PULLEY SC | | | 7 | 7 | 7 | 7 |
| 2 | 303LW24050 | UPPER GUIDE EJECT | | | 7 | 7 | 7 | 7 |
| 3 | 303JY28280 | CUSHION EJECT GUIDE B | | | 7 | 7 | 7 | 7 |
| 4 | 303LW24160 | SPRING EXIT | | | 14 | 14 | 14 | 14 |
| 5 | 303LW24060 | PULLEY EJECT | | | 14 | 14 | 14 | 14 |
| 6 | 303LW24170 | FILM EJECT | | | 14 | 14 | 14 | 14 |
| 7 | 303LW24070 | ACTUATOR OVERFLOW | | | 7 | 7 | 7 | 7 |
| 8 | 2C927210 | SENSOR 248NL1 | | | 8 | 8 | 8 | 8 |
| 9 | 303LW24040 | STAY EJECT | | | 7 | 7 | 7 | 7 |
| 10 | 63212210 | STATIC ELIMINATOR,EJECT | | | 7 | 7 | 7 | 7 |
| 11 | 303LW24100 | MOUNT SENSOR EJECT | | | 1 | 1 | 1 | 1 |
| 12 | 303H327470 | SENSOR B SEPARATION | | | 1 | 1 | 1 | 1 |
| 13 | 303LW94020 | PARTS ROLLER EJECT A | | | 6 | 6 | 6 | 6 |
| 14 | 303N094020 | PARTS ROLLER EJECT C SP | | | 1 | 1 | 1 | 1 |
| 15 | 303LW24520 | SHAFT SEPARATE DRIVE | | | 1 | 1 | 1 | 1 |
| 16 | 303LW94010 | PARTS ROLLER CONVEYING | | | 3 | 3 | 3 | 3 |
| 17 | 3CY07080 | BUSHING 6 | | | 20 | 20 | 20 | 20 |
| 18 | 5MVX111DN003 | RING STOPPER /A-49 FEED A4 | | | 43 | 43 | 43 | 43 |
| 19 | 28107310 | BUSH 8 | | | 2 | 2 | 2 | 2 |
| 20 | 2BC06910 | STOPPER 6 | | | 2 | 2 | 2 | 2 |
| 21 | 3AK07230 | PULLEY 20S3M | | | 1 | 1 | 1 | 1 |
| 22 | 3BC08101 | PULLEY,REGISTRATION | | | 6 | 6 | 6 | 6 |
| 23 | 75722252 | IDLE PULLEY 15 | | | 1 | 1 | 1 | 1 |
| 24 | 3B807380 | LOWER BELT,MIDDLE TRAY | | | 1 | 1 | 1 | 1 |
| 25 | 303LW24530 | SUPPORTPLATE BELT | | | 1 | 1 | 1 | 1 |
| 26 | 303LW24540 | MOUNT SEPARATE PI | | | 1 | 1 | 1 | 1 |
| 27 | 7YZM210006++H01 | ACCESS.EDGING | | | 2 | 2 | 2 | 2 |
| 28 | 7YZM610007++H01 | ACCESS.SADDLE | | | 4 | 4 | 4 | 4 |
| 29 | 303LW46050 | WIRE HP SENSOR | | | 1 | 1 | 1 | 1 |
| 30 | 36706900 | TORQUE LIMITER,PAPER FEED | | | 1 | 1 | 1 | 1 |
| 31 | 3CG22030 | JOINT,TORQUE LIMITER | | | 1 | 1 | 1 | 1 |
| 32 | E9000080 | PIN SNAP P8 | | | 1 | 1 | 1 | 1 |
| 33 | 7YZM410002++H01 | ACCESS.BAND | | | 3 | 3 | 3 | 3 |
| 34 | 3H622320 | GEAR 20 LIFT | | | 7 | 7 | 7 | 7 |
| 35 | 66018180 | GEAR 26, SPIRAL ROLLER | | | 3 | 3 | 3 | 3 |
| 36 | 2BL06190 | GEAR Z25 FEED | | | 5 | 5 | 5 | 5 |
| 37 | 302F909540 | GEAR Z49 | | | 4 | 4 | 4 | 4 |
| 38 | 3HK22040 | GR 33 CONV | | | 1 | 1 | 1 | 1 |
| 39 | 303N031010 | MOUNT MOTOR | | | 1 | 1 | 1 | 1 |
| 40 | 7YZM610008++H01 | ACCESS.SADDLE | | | 2 | 2 | 2 | 2 |
| 41 | 2FB27110 | MOTOR FEED | | | 1 | 1 | 1 | 1 |
| 42 | 303LW46030 | WIRE MOTOR | | | 1 | 1 | 1 | 1 |
| 43 | 303LW46070 | WIRE SENSOR | | | 1 | 1 | 1 | 1 |
| 44 | 3036006141 | PIN,JAM REMOVAL DIAL | | | 1 | 1 | 1 | 1 |
| 45 | 303N031020 | GEAR Z22 | | | 1 | 1 | 1 | 1 |
| 46 | 303N031030 | GEAR Z28 Z21 | | | 1 | 1 | 1 | 1 |

FIG. 3 Paper Conveying Section 2

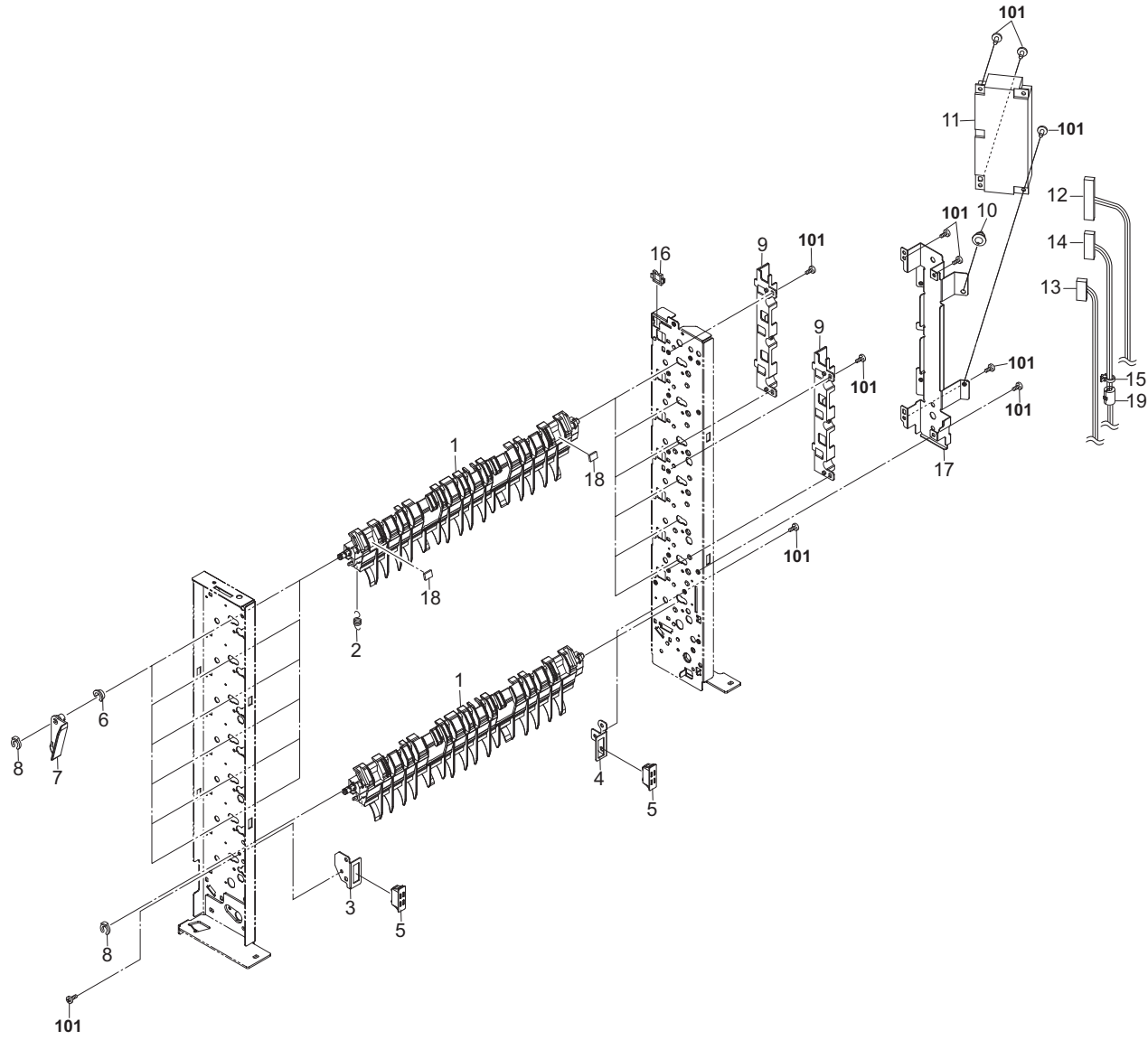


FIG. 3 Paper Conveying Section 2

3N0

| Ref No. | Part.No. | Description | Notes | Revision | Quantity | | | |
|---------|-----------------|----------------------------|-------|----------|----------|-----|-----|-----|
| | | | | | 100 | 120 | 230 | 240 |
| 1 | 303LW24011 | GUIDE CONVEYING | | | 7 | 7 | 7 | 7 |
| 2 | 303LW24180 | SPRING PULL GUIDE | | | 6 | 6 | 6 | 6 |
| 3 | 303LW02070 | MOUNT MAGNET FRONT | | | 1 | 1 | 1 | 1 |
| 4 | 303LW02080 | MOUNT MAGNET REAR | | | 1 | 1 | 1 | 1 |
| 5 | 2FB17200 | MAGNET UPPER REG GUIDE | | | 2 | 2 | 2 | 2 |
| 6 | 303LW02130 | BUSH LEVER | | | 6 | 6 | 6 | 6 |
| 7 | 303LW24510 | LEVER SEPARATE CLAW | | | 6 | 6 | 6 | 6 |
| 8 | 5MVX111DN003 | RING STOPPER /A-49 FEED A4 | | | 7 | 7 | 7 | 7 |
| 9 | 303LW02110 | GUIDE WIRE | | | 2 | 2 | 2 | 2 |
| 10 | M2108000 | SPACER,KGLS-3S | | | 1 | 1 | 1 | 1 |
| 11 | 303N094040 | PARTS PWB MAIN ASSY B SP | | | 1 | 1 | 1 | 1 |
| 12 | 303LW46010 | WIRE MAIN | | | 1 | 1 | 1 | 1 |
| 13 | 303LW46060 | WIRE INTERROCK SW | | | 1 | 1 | 1 | 1 |
| 14 | 303LW46020 | WIRE INTERFACE | | | 1 | 1 | 1 | 1 |
| 15 | 7YZM410002++H01 | ACCESS.BAND | | | 1 | 1 | 1 | 1 |
| 16 | 7YZM210006++H01 | ACCESS.EDGING | | | 1 | 1 | 1 | 1 |
| 17 | 303LW02030 | PLATE PWB | | | 1 | 1 | 1 | 1 |
| 18 | 303JY24AB0 | CUSHION C ON | | | 12 | 12 | 12 | 12 |
| 19 | 7YBEJ0J0D001H01 | FERRITE CORE | | | 1 | 1 | 1 | 1 |
| 101 | 7BB700308H | +BIND T.T S SCREW 3X8 SR | | | | | | |

FIG. 4 Accessories

3N0

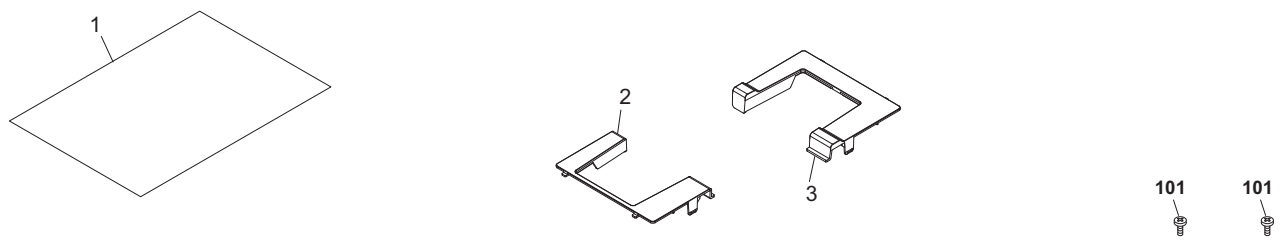


FIG. 5 Options (AK-736) (MT-730(B))

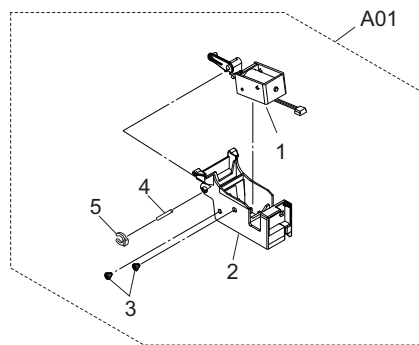
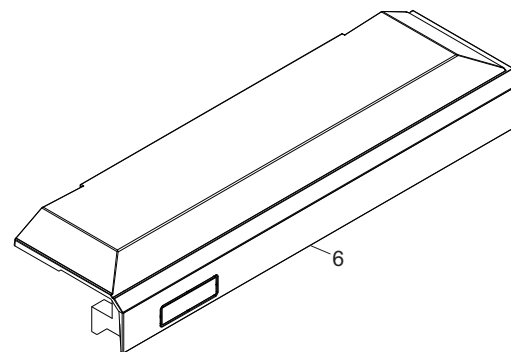
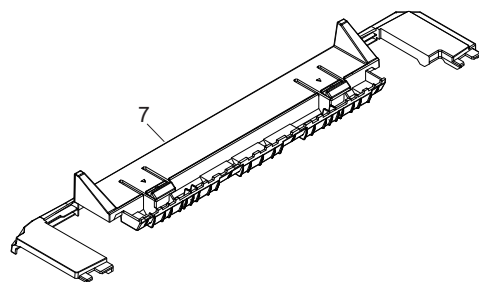


FIG. 5 Options (AK-736) (MT-730(B))

3N0

| Ref No. | Part.No. | Description | Notes | Revision | Quantity | | | |
|---------|---------------|-------------------------------|-------|----------|----------|-----|-----|-----|
| | | | | | 100 | 120 | 230 | 240 |
| A01 | 303N094030 | PARTS AK-736 SOLENOID ASSY SP | | | 1 | 1 | 1 | 1 |
| 1 | +303N094050 | PARTS LEVER SOLENOID ASSY SP | | | 1 | 1 | 1 | 1 |
| 2 | +303N024030 | HOLDER SOLENOID | | | 1 | 1 | 1 | 1 |
| 3 | +302F325090 | STUD SCREW M3 | | | 2 | 2 | 2 | 2 |
| 4 | +303N024050 | SHAFT LEVER | | | 1 | 1 | 1 | 1 |
| 5 | +5MVX111DN007 | STOPPER 3 /2BT1107 A4 | | | 1 | 1 | 1 | 1 |
| 6 | 303N004030 | COVER RIGHT | | | 1 | 1 | 1 | 1 |
| 7 | 303N004040 | COVER LEFT | | | 1 | 1 | 1 | 1 |
| 101 | 7BB700412H | +BIND T.T S SCREW 4X12 SR | | | | | | |

PF-730(B)

[CONFIDENTIAL]

FOR AUTHORIZED KYOCERA ENGINEERS ONLY. DO NOT DISTRIBUTE TO NON-AUTHORIZED PARTIES.

Items listed in the revision columns are defined as follows.

| Item | Description |
|---------------|---|
| Add | Add a new part |
| Del | Delete a part |
| Design-chg. | A design changed part (Parts number version up) |
| Part No.-chg. | A part number is changed to other one. |
| Quantity-chg. | Change Quantity of parts to use |
| Others | Other changes |
| Correction | Correction |

Revision history

| Rev. | Date | Remarks |
|------|------------|------------------------------|
| 1 | July 2019 | Design-chg.and Other changes |
| 2 | March 2020 | Design-chg. |
| | | |
| | | |
| | | |
| | | |

Symbols in the parts list

- Parts without a Ref.No. in the illustration indicate they are not supplied.
- Parts with "*" are component parts or sub-assemblies of the assembly appearing immediately above them.
- Parts with "**" are component parts or sub-assembly with "*" appearing immediately above them.

[CONFIDENTIAL]

京セラドキュメントソリューションズ株式会社の許可なく、本資料を配布することを禁じます。

改訂欄記載項目の内容は以下の通りです。

| 記載項目 | 内容 |
|---------------|--------------|
| Add | 新規部品の追加 |
| Del | 部品の削除 |
| Design-chg. | 部品の設変(版数アップ) |
| Part No.-chg. | 部品番号の変更 |
| Quantity-chg. | 部品の個数変更 |
| Others | その他の変更 |
| Correction | 誤記訂正 |

改訂履歴

| Rev. | 改訂日 | 備考 |
|------|---------|---------------|
| 1 | 2019年7月 | 設変対応およびその他の変更 |
| 2 | 2020年3月 | 設変対応 |
| | | |
| | | |
| | | |
| | | |

記号の見方

- イラスト中で Ref 番号がない部品は供給できません。
- 部品番号欄の・印は、組立部品の単品部品及び準組立部品を表わします。
- 部品番号欄の**印は、準組立部品の単品部品を表わします。

———— CONTENTS ————

| | | |
|--------|-----------------------------|----|
| FIG. 1 | Covers | 2 |
| FIG. 2 | Frames | 4 |
| FIG. 3 | Paper Cassettes..... | 6 |
| FIG. 4 | Paper Feed Section | 9 |
| FIG. 5 | Electrical Components | 12 |
| FIG. 6 | Accessories & Options | 15 |

FIG. 1 Covers

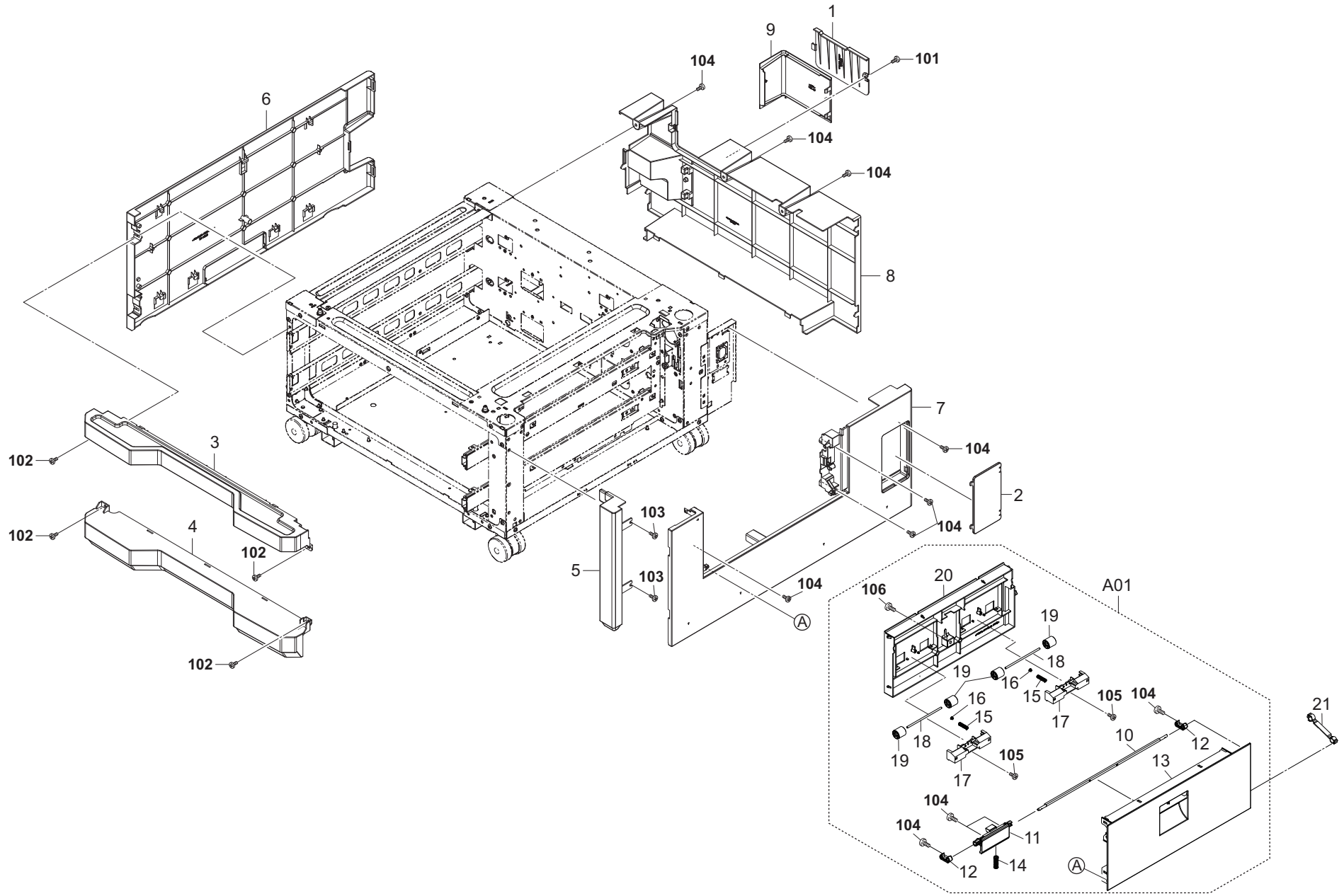


FIG. 1 Covers

3NJ

| Ref No. | Part.No. | Description | Notes | Revision | Quantity | | | |
|---------|-------------|-------------------------------------|-------|----------|----------|-----|-----|-----|
| | | | | | 100 | 120 | 230 | 240 |
| 1 | 303LM04090 | COVER CONNECTOR | | | 1 | 1 | 1 | 1 |
| 2 | 303NF04121 | COVER INTERFACE | | | 1 | 1 | 1 | 1 |
| 3 | 303NJ04012 | COVER UPPER FRONT | | | 1 | 1 | 1 | 1 |
| 4 | 303NJ04021 | COVER FRONT LOWER | | | 1 | 1 | 1 | 1 |
| 5 | 303NJ04031 | COVER RIGHT FRONT | | | 1 | 1 | 1 | 1 |
| 6 | 303NJ04041 | COVER LEFT | | | 1 | 1 | 1 | 1 |
| 7 | 303NJ04053 | COVER RIGHT | | | 1 | 1 | 1 | 1 |
| 8 | 303NJ04071 | COVER REAR | | | 1 | 1 | 1 | 1 |
| 9 | 303NJ04081 | COVER CORD | | | 1 | 1 | 1 | 1 |
| A01 | 303NJ94011 | PARTS COVER FEED LOW ASSY SP | | | 1 | 1 | 1 | 1 |
| 10 | •302K906681 | SHAFT FEED LOW HOOK | | | 1 | 1 | 1 | 1 |
| 11 | •302K906660 | HANDLE FEED LOW | | | 1 | 1 | 1 | 1 |
| 12 | •302K906670 | HOOK FEED LOW | | | 2 | 2 | 2 | 2 |
| 13 | •303NJ06010 | COVER FEED LOW | | | 1 | 1 | 1 | 1 |
| 14 | •302FZ20021 | SPRING LID | | | 1 | 1 | 1 | 1 |
| 15 | •2DC12170 | SPRING TENSION | | | 2 | 2 | 2 | 2 |
| 16 | •2FM04150 | CAP SPRING /B-11 ENCLOSURE A4 | | | 2 | 2 | 2 | 2 |
| 17 | •302K906640 | HOLDER FEED LOW PULLEY | | | 2 | 2 | 2 | 2 |
| 18 | •302K906510 | SHAFT FEED LOW | | | 2 | 2 | 2 | 2 |
| 19 | •302H722760 | PULLEY MIDDLE A | | | 4 | 4 | 4 | 4 |
| 20 | •303NJ06021 | GUIDE FEED LOW | | | 1 | 1 | 1 | 1 |
| 21 | 303NJ06050 | STRAP | | | 1 | 1 | 1 | 1 |
| 101 | 7BB282408H | +TP-FLAT T.T P SCREW 4X8(BLACK) | | | | | | |
| 102 | 7BB782414H | +TP-FLAT T.T S SCREW 4X14 SR(BLACK) | | | | | | |
| 103 | 7BB700410H | +BIND T.T S SCREW 4X10 SR | | | | | | |
| 104 | 7BB180408H | +BIND T.T S SCREW 4X8(BLACK) | | | | | | |
| 105 | 7BB200308H | +BIND T.T P SCREW 3X8 | | | | | | |
| 106 | 7BB280410H | +BIND T.T P SCREW 4X10(BLACK) | | | | | | |

FIG. 2 Frames

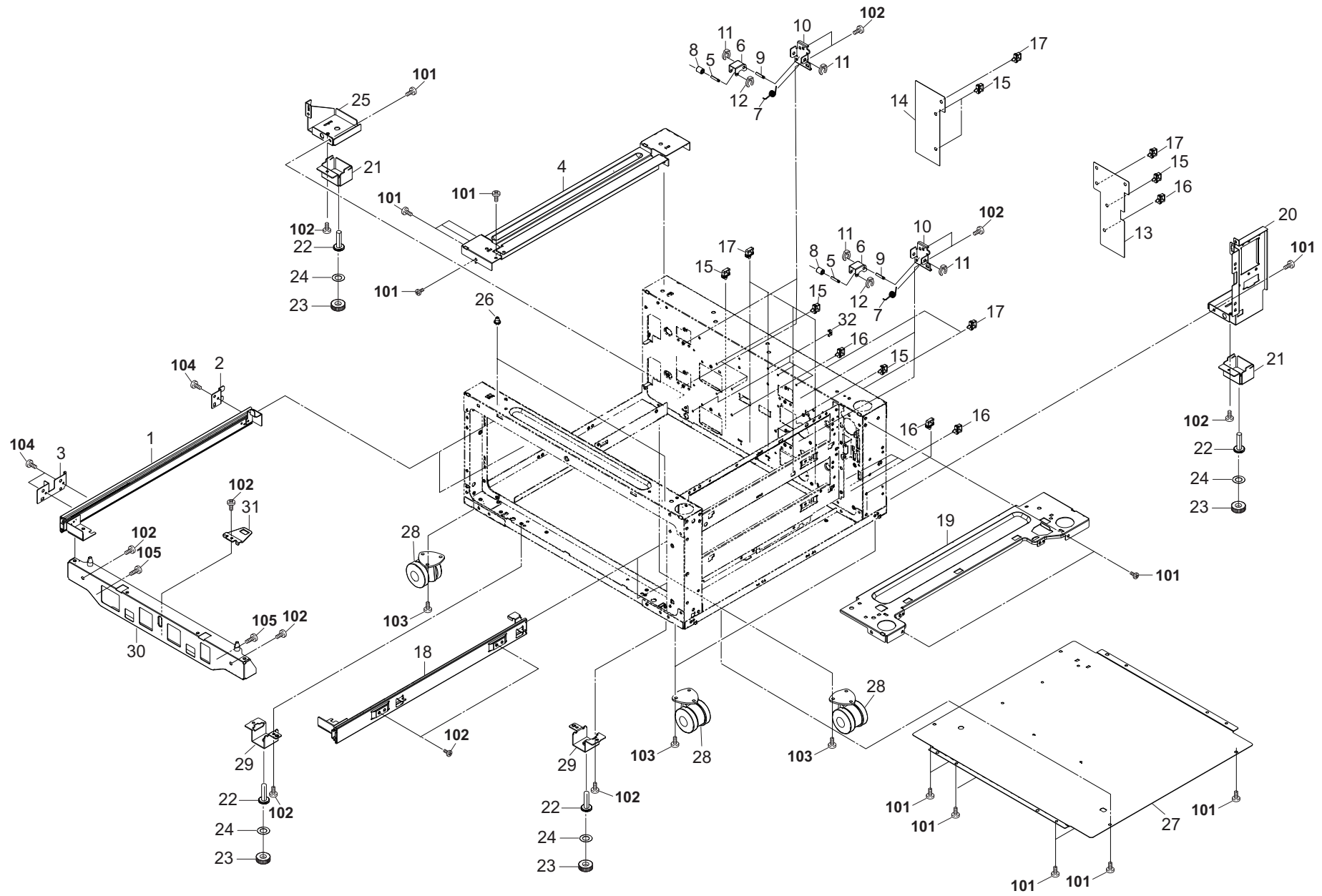


FIG. 2 Frames

3NJ

| Ref No. | Part.No. | Description | Notes | Revision | Quantity | | | |
|---------|-----------------|--------------------------------|-------|----------|----------|-----|-----|-----|
| | | | | | 100 | 120 | 230 | 240 |
| 1 | 302N209511 | SLIDER CASSETTE LEFT | | | 2 | 2 | 2 | 2 |
| 2 | 303NJ09020 | MOUNT SLIDER LR | | | 2 | 2 | 2 | 2 |
| 3 | 303NJ09030 | MOUNT SLIDER LF | | | 2 | 2 | 2 | 2 |
| 4 | 303NJ02100 | STAY UPPER LEFT | | | 1 | 1 | 1 | 1 |
| 5 | 302K909630 | SHAFT HOOK PULLEY | | | 4 | 4 | 4 | 4 |
| 6 | 302K909640 | LEVER CASSETTE HOOK | | | 4 | 4 | 4 | 4 |
| 7 | 302LH02050 | SPRING CASSETTE HOOK | | | 4 | 4 | 4 | 4 |
| 8 | 303LW24060 | PULLEY EJECT | | | 4 | 4 | 4 | 4 |
| 9 | 303NF02280 | SHAFT HOOK FULCRUM | | | 4 | 4 | 4 | 4 |
| 10 | 303NF02301 | HOLDER DECK HOOK | | | 4 | 4 | 4 | 4 |
| 11 | 5MVX111DN003 | RING STOPPER /A-49 FEED A4 | | | 8 | 8 | 8 | 8 |
| 12 | 5MVX111DN007 | STOPPER 3 /2BT1107 A4 | | | 4 | 4 | 4 | 4 |
| 13 | 303NJ39020 | SHEET PWB LEFT | | | 1 | 1 | 1 | 1 |
| 14 | 303NJ39030 | SHEET PWB RIGHT | | | 1 | 1 | 1 | 1 |
| 15 | 7YZM610008++H01 | ACCESS.SADDLE | | | 8 | 8 | 8 | 8 |
| 16 | 7YZM610001++H01 | ACCESS SADDLE | | | 6 | 6 | 6 | 6 |
| 17 | 7YZM610002++H01 | ACCESS SADDLE | | | 8 | 8 | 8 | 8 |
| 18 | 302N209501 | SLIDER CASSETTE RIGHT | | | 2 | 2 | 2 | 2 |
| 19 | 303NF02060 | STAY UPPER RIGHT | | | 1 | 1 | 1 | 1 |
| 20 | 303NJ02130 | MOUNT CONNECTOR | | | 1 | 1 | 1 | 1 |
| 21 | 303NJ02160 | PLATE BOLT | | | 2 | 2 | 2 | 2 |
| 22 | 303LM02132 | BOLT STOPPER | | | 4 | 4 | 4 | 4 |
| 23 | 303LM02170 | RUBBER BOLT | | | 4 | 4 | 4 | 4 |
| 24 | 303LM02230 | SHEET BOLT RUBBER | | | 4 | 4 | 4 | 4 |
| 25 | 303NJ02140 | MOUNT FOOT REAR | | | 1 | 1 | 1 | 1 |
| 26 | 303LM02181 | PIN STAY | | | 2 | 2 | 2 | 2 |
| 27 | 303NJ02110 | PLATE LOW | | | 1 | 1 | 1 | 1 |
| 28 | 302N202011 | CASTER 100 CN | | | 4 | 4 | 4 | 4 |
| 29 | 303LM02240 | PLATE BOLT | | | 2 | 2 | 2 | 2 |
| 30 | 302N209521 | STAY CASSETTE FRONT | | | 2 | 2 | 2 | 2 |
| 31 | 302N209550 | PLATE CASSETTE HOLD | | | 2 | 2 | 2 | 2 |
| 32 | 302K931080 | WIRE STOPPER | | | 4 | 4 | 4 | 4 |
| 101 | 7BB700410H | +BIND T.T S SCREW 4X10 SR | | | | | | |
| 102 | 7BB700408H | +BIND T.T S SCREW 4X8 SR | | | | | | |
| 103 | 7BB606512H | +BIND M SCREW WITH SW W 5X12 R | | | | | | |
| 104 | 7BB000305H | +BIND M SCREW 3X5 | | | | | | |
| 105 | 7BB200410H | +BIND T.T P SCREW 4X10 | | | | | | |

FIG. 3 Paper Cassettes

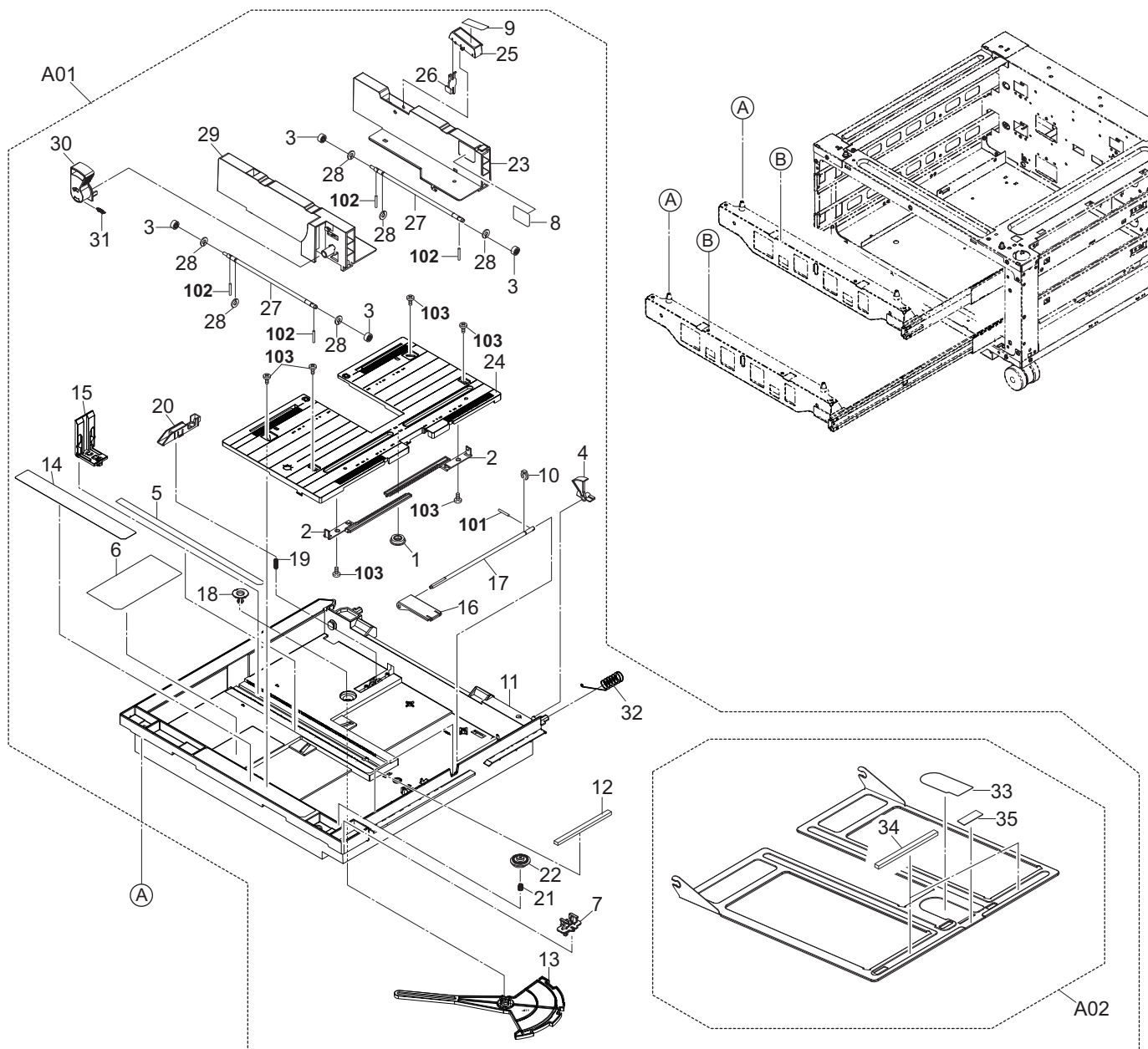
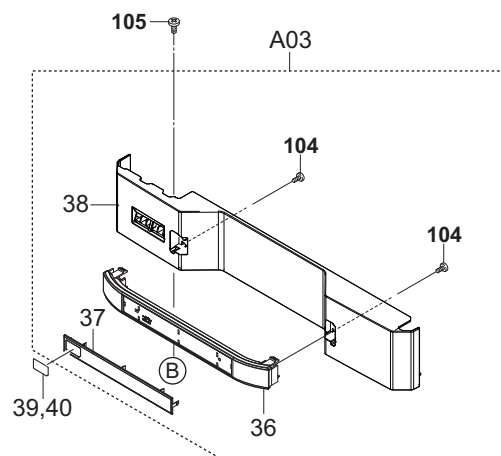
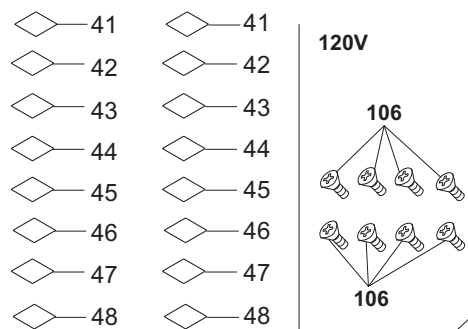


FIG. 3 Paper Cassettes

| Ref No. | Part.No. | Description | Notes | Revision | Quantity | | | |
|---------|---------------|----------------------------------|---------------------------|----------|----------|-----|-----|-----|
| | | | | | 100 | 120 | 230 | 240 |
| A01 | 302N293011 | CT-8706 | | | 2 | 2 | 2 | 2 |
| 1 | •302BM07410 | GEAR GUIDE SIDE | | | 2 | 2 | 2 | 2 |
| 2 | •302K909060 | RACK CURSOR | | | 4 | 4 | 4 | 4 |
| 3 | •302K994550 | PARTS GEAR CURSOR SP | | | 8 | 8 | 8 | 8 |
| 4 | •302K909270 | ACTUATOR PAPER LEVEL DETECTION | | | 2 | 2 | 2 | 2 |
| 5 | •302K934011 | LABEL PAPER SIZE A | | | 2 | 2 | 2 | 2 |
| 6 | •302K934021 | LABEL PAPER SIZE B | | | 2 | 2 | 2 | 2 |
| 7 | •302GR09991 | LIFT LOCK | | | 2 | 2 | 2 | 2 |
| 8 | •302K934090 | LABEL CASSETTE PAPER MAX | | | 2 | 2 | 2 | 2 |
| 9 | •302K934100 | LABEL CASSETTE CURSOR LOCK | | | 2 | 2 | 2 | 2 |
| 10 | •5MVX111DN003 | RING STOPPER /A-49 FEED A4 | | | 2 | 2 | 2 | 2 |
| 11 | •302N209011 | CASSETTE BASE | | | 2 | 2 | 2 | 2 |
| 12 | •302N209050 | CUSHION BOTTOM PLATE | | | 4 | 4 | 4 | 4 |
| 13 | •302N209030 | ARM SIZE DETECTION | | | 2 | 2 | 2 | 2 |
| 14 | •302K934030 | LABEL CASSETTE OPERATION | | | 2 | 2 | 2 | 2 |
| 15 | •302N209020 | CURSOR END | | | 2 | 2 | 2 | 2 |
| 16 | •302K909090 | PLATE WORK | | | 2 | 2 | 2 | 2 |
| 17 | •302K909190 | SHAFT WORK PLATE | | | 2 | 2 | 2 | 2 |
| 18 | •302K909140 | CAP TURN PLATE | | | 2 | 2 | 2 | 2 |
| 19 | •302H728100 | SPRING EXIT PULLEY | | | 2 | 2 | 2 | 2 |
| 20 | •302K909251 | LEVER SIDE SW | | | 2 | 2 | 2 | 2 |
| 21 | •302FZ29131 | SPRING DU | | | 2 | 2 | 2 | 2 |
| 22 | •302K909100 | CAM CURSOR RAIL | | | 2 | 2 | 2 | 2 |
| 23 | •302K909041 | CURSOR REAR | | | 2 | 2 | 2 | 2 |
| 24 | •302K909021 | RAIL CURSOR | | | 2 | 2 | 2 | 2 |
| 25 | •302K909121 | LEVER CURSOR LOCK REAR | | | 2 | 2 | 2 | 2 |
| 26 | •302K909151 | LOCK REAR CURSOR | | | 2 | 2 | 2 | 2 |
| 27 | •302K909131 | SHAFT CURSOR GEAR | | | 4 | 4 | 4 | 4 |
| 28 | •302K924820 | CUT-WASHER 4 | | | 12 | 12 | 12 | 12 |
| 29 | •302K909031 | CURSOR FRONT | | | 2 | 2 | 2 | 2 |
| 30 | •302K909050 | LEVER CURSOR | | | 2 | 2 | 2 | 2 |
| 31 | •303JC02050 | SPRING LOOP SOLENOID | | | 2 | 2 | 2 | 2 |
| 32 | •302N209040 | SPRING CASSETTE EARTH | | | 2 | 2 | 2 | 2 |
| A02 | •302K994C21 | PARTS PLATE PAPER BOTTOM UNIT SP | | | 2 | 2 | 2 | 2 |
| 33 | ••302K934040 | LABEL SET PAPER | | | 2 | 2 | 2 | 2 |
| 34 | ••302N209050 | CUSHION BOTTOM PLATE | | | 4 | 4 | 4 | 4 |
| 35 | ••302K909261 | PAD BOTTOM | | | 2 | 2 | 2 | 2 |
| A03 | 302N494040 | PARTS COVER CASSETTE A ASSY SP | | | 2 | 2 | 2 | 2 |
| 36 | •302LC04380 | HANDLE CASSETTE | | | 2 | 2 | 2 | 2 |
| 37 | •302LC04390 | EMBLEM CASSETTE | | | 2 | 2 | 2 | 2 |
| 38 | •302N404201 | COVER CASSETTE A | | | 2 | 2 | 2 | 2 |
| 39 | 302K934070 | LABEL CASSETTE NUMBER 3 | | | 1 | 1 | 1 | 1 |
| 40 | 302K934080 | LABEL CASSETTE NUMBER 4 | | | 1 | 1 | 1 | 1 |
| 41 | 302K934700 | SHEET CASSETTE PAPER SIZE A | Metric | | 2 | 2 | 2 | 2 |
| 42 | 302K934710 | SHEET CASSETTE PAPER SIZE B | Inch | | 2 | 2 | 2 | 2 |
| 43 | 302K934720 | SHEET CASSETTE PAPER MEDIA JP | Japanese | | 2 | | | |
| 43 | 302K934730 | SHEET CASSETTE PAPER MEDIA KL-A | English | | | 2 | 2 | 2 |
| 44 | 302K934740 | SHEET CASSETTE PAPER MEDIA KL-B | Spanish | | | 2 | 2 | 2 |
| 45 | 302K934750 | SHEET CASSETTE PAPER MEDIA KL-C | French/Portuguese(Brazil) | | | 2 | 2 | 2 |
| 46 | 302K934760 | SHEET CASSETTE PAPER MEDIA KL-D | German/Dutch | | | | 2 | 2 |

FIG. 4 Paper Feed Section

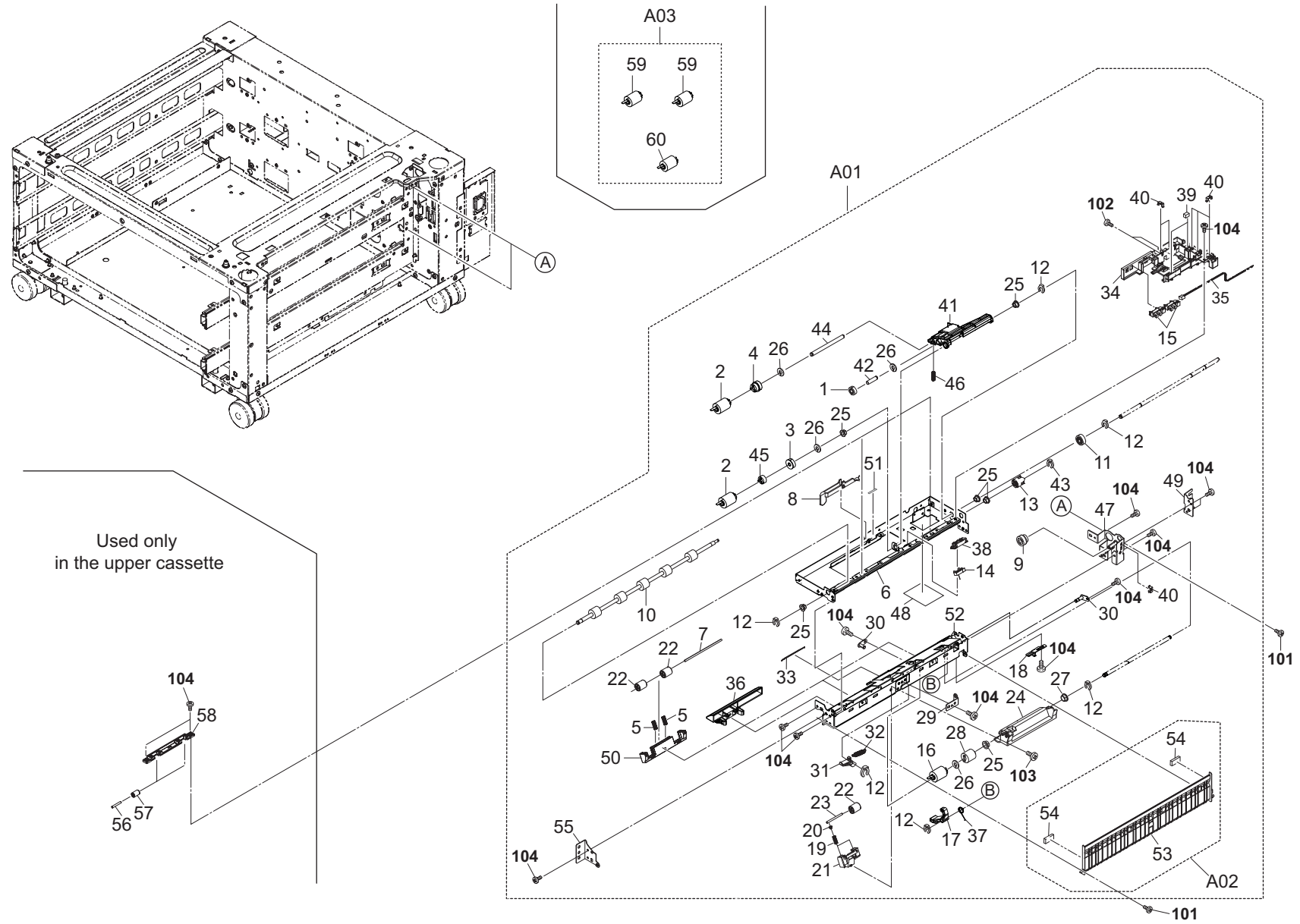


FIG. 4 Paper Feed Section

3NJ-2

| Ref No. | Part.No. | Description | Notes | Revision | Quantity | | | |
|---------|---------------|----------------------------------|-------|---------------|----------|-----|-----|-----|
| | | | | | 100 | 120 | 230 | 240 |
| A01 | 303NJ94110 | PARTS PRIMARY FEED UNIT HI D SP | | | 2 | 2 | 2 | 2 |
| 1 | •302N406170 | GEAR Z28 FEED | | | 2 | 2 | 2 | 2 |
| 2 | •302N406030 | PULLEY FEED | | | 4 | 4 | 4 | 4 |
| 3 | •302N406100 | GEAR Z32 FEED OW | | | 2 | 2 | 2 | 2 |
| 4 | •302N406110 | GEAR Z32 PICKUP | | | 2 | 2 | 2 | 2 |
| 5 | •302LC28240 | SPRING SWITCHBACK | | | 8 | 8 | 8 | 8 |
| 6 | •302N406010 | PLATE FRAME UPPER | | | 2 | 2 | 2 | 2 |
| 7 | •302K906510 | SHAFT FEED LOW | | | 4 | 4 | 4 | 4 |
| 8 | •302K906321 | ACTUATOR PAPER EMPTY | | | 2 | 2 | 2 | 2 |
| 9 | •302K906230 | GEAR PRIMARY FEED IDLE Z20R Z16L | | | 2 | 2 | 2 | 2 |
| 10 | •303NJ94050 | PARTS ROLLER ASSIST SP | | | 2 | 2 | 2 | 2 |
| 11 | •302K906240 | GEAR FEED DRIVE Z20L | | | 2 | 2 | 2 | 2 |
| 12 | •5MVX111DN003 | RING STOPPER /A-49 FEED A4 | | | 12 | 12 | 12 | 12 |
| 13 | •303NJ06040 | GEAR PRIMARY FEED Z17L OW | | | 2 | 2 | 2 | 2 |
| 14 | •302K994580 | PARTS SENSOR OPT. SP | | | 2 | 2 | 2 | 2 |
| 15 | •303M894260 | PARTS SENSOR OPT SP | | | 4 | 4 | 4 | 4 |
| 16 | •302N406040 | PULLEY RETARD | | | 2 | 2 | 2 | 2 |
| 17 | •302N406160 | LEVER RETARD LOCK | | | 2 | 2 | 2 | 2 |
| 18 | •302K906420 | PLATE RETARD ADJUST | | | 2 | 2 | 2 | 2 |
| 19 | •302F708310 | SPRING LOCK MPF | | | 4 | 4 | 4 | 4 |
| 20 | •2FM04150 | CAP SPRING /B-11 ENCLOSURE A4 | | | 4 | 4 | 4 | 4 |
| 21 | •302K906701 | HOLDER PULLEY | | Design-chg. | 2 | 2 | 2 | 2 |
| 22 | •302NH29260 | PULLEY DU LOW | | Part No.-chg. | 10 | 10 | 10 | 10 |
| 23 | •302K906710 | SHAFT ASSIST PULLEY | | | 2 | 2 | 2 | 2 |
| 24 | •302K906151 | HOLDER RETARD | | | 2 | 2 | 2 | 2 |
| 25 | •302K324450 | BUSH 6 | | | 12 | 12 | 12 | 12 |
| 26 | •302K924820 | CUT-WASHER 4 | | | 8 | 8 | 8 | 8 |
| 27 | •34806040 | LOWER BUSHING,PAPER FEED | | | 2 | 2 | 2 | 2 |
| 28 | •302K906750 | TORQUE-LIMITER 390 | | | 2 | 2 | 2 | 2 |
| 29 | •302K906300 | PLATE RETARD HOLDER | | | 2 | 2 | 2 | 2 |
| 30 | •302N406150 | FULCRUM-PIN RETARD | | | 4 | 4 | 4 | 4 |
| 31 | •302N406130 | LEVER RETARD RELEASE | | | 2 | 2 | 2 | 2 |
| 32 | •302N406200 | SPRING RETARD | | | 2 | 2 | 2 | 2 |
| 33 | •302K906721 | SHEET PRIMARY FEED HI | | | 2 | 2 | 2 | 2 |
| 34 | •302K906250 | GUIDE PRIM FEED WIRE | | | 2 | 2 | 2 | 2 |
| 35 | •303NJ46160 | WIRE PRIMARY FEED UNIT | | | 2 | 2 | 2 | 2 |
| 36 | •302N406060 | GUIDE FRONT LOWER | | | 2 | 2 | 2 | 2 |
| 37 | •302N406140 | SPRING RETARD LOCK | | | 2 | 2 | 2 | 2 |
| 38 | •302K906290 | HOLDER SENSOR FEED | | | 2 | 2 | 2 | 2 |
| 39 | •302H708150 | SPONGE WIRE MPT | | | 4 | 4 | 4 | 4 |
| 40 | •302K931080 | WIRE STOPPER | | | 12 | 12 | 12 | 12 |
| 41 | •302N406050 | HOLDER PICKUP | | | 2 | 2 | 2 | 2 |
| 42 | •302K906080 | PIN PICK UP IDLE | | | 2 | 2 | 2 | 2 |
| 43 | •5MVX111DN007 | STOPPER 3 /2BT1107 A4 | | | 2 | 2 | 2 | 2 |
| 44 | •302N406070 | SHAFT PICKUP PRIMARY | | | 2 | 2 | 2 | 2 |
| 45 | •302N406120 | ONEWAY-CLUTCH 6 | | | 2 | 2 | 2 | 2 |
| 46 | •302K906260 | SPRING PICK UP | | | 2 | 2 | 2 | 2 |
| 47 | •302K906111 | PLATE PRIMARY FEED DRIVE | | | 2 | 2 | 2 | 2 |
| 48 | •303NF06350 | SHEET SOLENOID | | | 2 | 2 | 2 | 2 |
| 49 | •302K906270 | MOUNT PRIMARY FEED R | | | 2 | 2 | 2 | 2 |

FIG. 4 Paper Feed Section

3NJ

| Ref No. | Part.No. | Description | Notes | Revision | Quantity | | | |
|---------|--------------|---------------------------------|-------|----------|----------|-----|-----|-----|
| | | | | | 100 | 120 | 230 | 240 |
| 50 | •302K906280 | HOLDER PRIM FEED PULLEY | | | 4 | 4 | 4 | 4 |
| 51 | •302N406220 | SPACER PRIM FEED | | | 2 | 2 | 2 | 2 |
| 52 | •302K906032 | PLATE FRAME LOWER | | | 2 | 2 | 2 | 2 |
| A02 | •302K994B90 | PARTS GUIDE PRIMARY FEED SET SP | | | 2 | 2 | 2 | 2 |
| 53 | ••302K906051 | GUIDE PRIMARY FEED | | | 2 | 2 | 2 | 2 |
| 54 | ••29812291 | CUSHION,CONTACT GLASS | | | 4 | 4 | 4 | 4 |
| 55 | •302K906100 | MOUNT PRIMARY FEED | | | 2 | 2 | 2 | 2 |
| 56 | 303NJ06080 | SHAFT PULLEY PF | | | 4 | 4 | 4 | 4 |
| 57 | 303NJ06070 | PULLEY FEED PF | | | 4 | 4 | 4 | 4 |
| 58 | 303NJ06060 | HOLDER PULLEY PF | | | 2 | 2 | 2 | 2 |
| A03 | 302N494230 | PARTS PULLEY SET SP | | | 2 | 2 | 2 | 2 |
| 59 | •302N406030 | PULLEY FEED | | | 4 | 4 | 4 | 4 |
| 60 | •302N406040 | PULLEY RETARD | | | 2 | 2 | 2 | 2 |
| 101 | 7BB700410H | +BIND T.T S SCREW 4X10 SR | | | | | | |
| 102 | 7BB600306H | +BIND M SCREW 3X6 R | | | | | | |
| 103 | 7BB200308H | +BIND T.T P SCREW 3X8 | | | | | | |
| 104 | 7BB700308H | +BIND T.T S SCREW 3X8 SR | | | | | | |

FIG. 5 Electrical Components

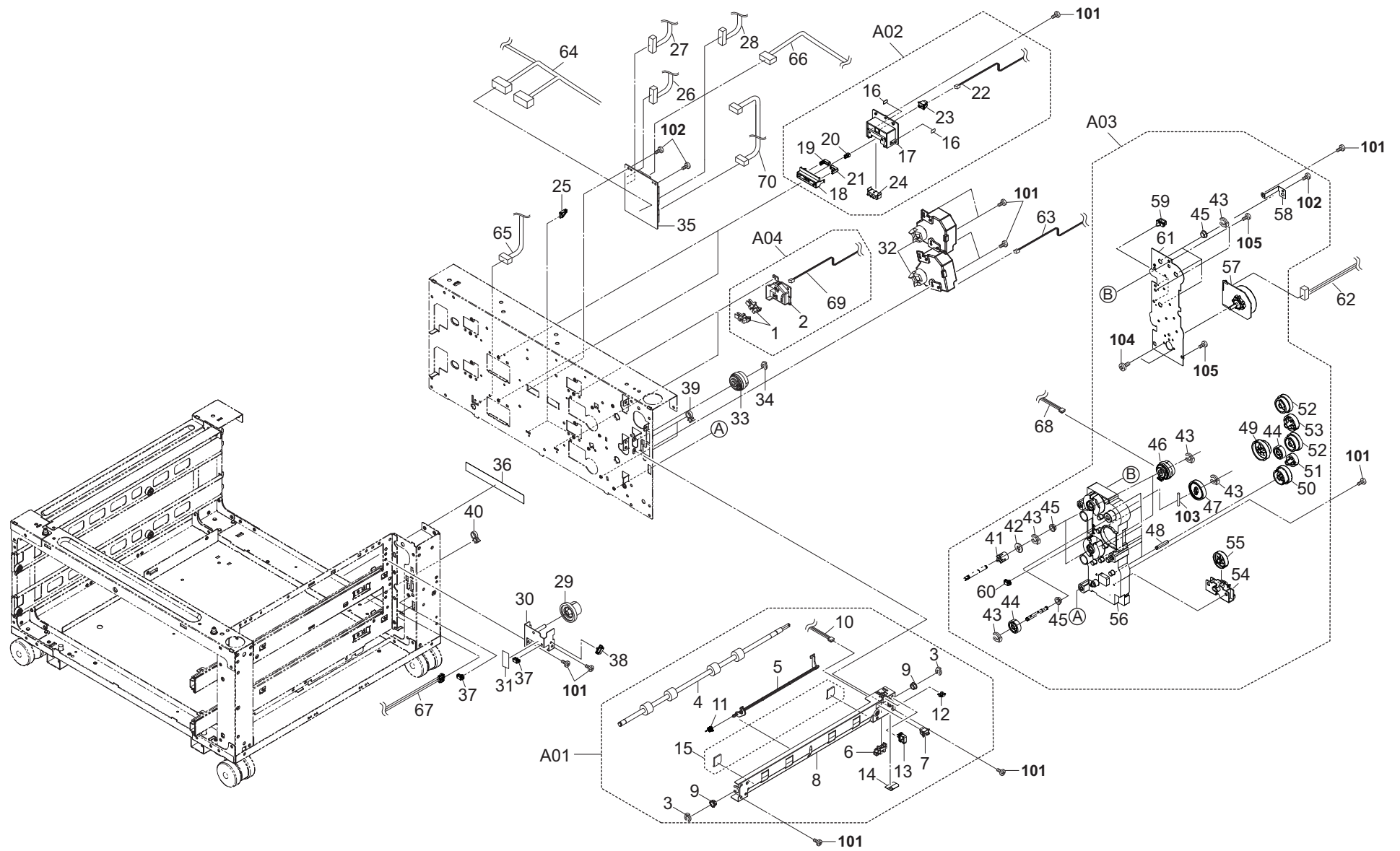


FIG. 5 Electrical Components

3NJ

| Ref No. | Part.No. | Description | Notes | Revision | Quantity | | | |
|---------|------------------|----------------------------------|-------|----------|----------|-----|-----|-----|
| | | | | | 100 | 120 | 230 | 240 |
| A04 | 302K994C80 | PARTS PAPER LEVEL SENSOR ASSY SP | | | 2 | 2 | 2 | 2 |
| 1 | •303M894260 | PARTS SENSOR OPT SP | | | 4 | 4 | 4 | 4 |
| 2 | •302K909510 | MOUNT PAPER LEVEL SENSOR | | | 2 | 2 | 2 | 2 |
| 69 | •302K946420 | WIRE PAPER SENSOR | | | 2 | 2 | 2 | 2 |
| A01 | 302K994132 | PARTS GUIDE FEED MIDDLE ASSY SP | | | 1 | 1 | 1 | 1 |
| 3 | •2BC06910 | STOPPER 6 | | | 2 | 2 | 2 | 2 |
| 4 | •302K994430 | PARTS ROLLER FEED LOW SP | | | 1 | 1 | 1 | 1 |
| 5 | •302N706500 | ACTUATOR FEED LOW | | | 1 | 1 | 1 | 1 |
| 6 | •303M894260 | PARTS SENSOR OPT SP | | | 1 | 1 | 1 | 1 |
| 7 | •7SP01000006+H01 | SW.PUSH | | | 1 | 1 | 1 | 1 |
| 8 | •302K906500 | PLATE FEED LOW | | | 1 | 1 | 1 | 1 |
| 9 | •28107310 | BUSH 8 | | | 2 | 2 | 2 | 2 |
| 10 | •302K946430 | WIRE GUIDE FEED LOW | | | 1 | 1 | 1 | 1 |
| 11 | •302K906520 | SPRING FEED ACT | | | 1 | 1 | 1 | 1 |
| 12 | •7YZM210006++H01 | ACCESS.EDGING | | | 1 | 1 | 1 | 1 |
| 13 | •7YZM610002++H01 | ACCESS SADDLE | | | 1 | 1 | 1 | 1 |
| 14 | •302LC06210 | GUIDE WIRE FEED LOW | | | 1 | 1 | 1 | 1 |
| 15 | •302K994D70 | PARTS PAD ROLLER SET SP | | | 1 | 1 | 1 | 1 |
| A02 | 302K994121 | PARTS SIZE DETECTION ASSY SP | | | 2 | 2 | 2 | 2 |
| 16 | •302F729080 | SPACER DU | | | 4 | 4 | 4 | 4 |
| 17 | •302K909520 | MOUNT SIZE SENSOR | | | 2 | 2 | 2 | 2 |
| 18 | •302K909541 | HOLDER SIZE DETECTION | | | 2 | 2 | 2 | 2 |
| 19 | •302K909580 | PIN PAPER SIZE A | | | 2 | 2 | 2 | 2 |
| 20 | •302K909590 | PIN PAPER SIZE B | | | 2 | 2 | 2 | 2 |
| 21 | •302K909600 | PIN PAPER SIZE C | | | 2 | 2 | 2 | 2 |
| 22 | •302K946400 | WIRE CASSETTE SIZE | | | 2 | 2 | 2 | 2 |
| 23 | •7SP01000006+H01 | SW.PUSH | | | 2 | 2 | 2 | 2 |
| 24 | •7SP03072001+H01 | SW.PUSH | | | 2 | 2 | 2 | 2 |
| 25 | 302K939230 | HOLDER PWB | | | 2 | 2 | 2 | 2 |
| 26 | 303NJ46140 | WIRE UPPER DECK | | | 1 | 1 | 1 | 1 |
| 27 | 303NJ46150 | WIRE UNDER DECK | | | 1 | 1 | 1 | 1 |
| 28 | 303NJ46050 | WIRE CLUTCH | | | 1 | 1 | 1 | 1 |
| 29 | 303NJ31100 | GEAR Z44L-Z28L | | | 1 | 1 | 1 | 1 |
| 30 | 303NJ31041 | PLATE DECK JOINT | | | 1 | 1 | 1 | 1 |
| 31 | 302K002E00 | SHEET GUIDE CASSETTE | | | 1 | 1 | 1 | 1 |
| 32 | 302K394190 | PARTS MOTOR LIFT ASSY SP | | | 2 | 2 | 2 | 2 |
| 33 | 302KV94520 | PARTS CLUTCH 50 Z35R SP | | | 1 | 1 | 1 | 1 |
| 34 | 5MVX111DN003 | RING STOPPER /A-49 FEED A4 | | | 1 | 1 | 1 | 1 |
| 35 | 303NJ94040 | PARTS PWB CASSETTE DECK ASSY SP | | | 1 | 1 | 1 | 1 |
| 36 | 302K024220 | SHEET REGIST R | | | 1 | 1 | 1 | 1 |
| 37 | 7YZM610007++H01 | ACCESS.SADDLE | | | 2 | 2 | 2 | 2 |
| 38 | 7YZM610008++H01 | ACCESS.SADDLE | | | 1 | 1 | 1 | 1 |
| 39 | 7YZM410004++H01 | ACCESS.BAND | | | 2 | 2 | 2 | 2 |
| 40 | 7YZM420003++H01 | ACCESS.BAND | | | 1 | 1 | 1 | 1 |
| A03 | 303NJ94022 | PARTS DECK DRIVE UNIT SP | | | 1 | 1 | 1 | 1 |
| 41 | •302K931530 | COUPLING DRIVE | | | 2 | 2 | 2 | 2 |
| 42 | •302K924820 | CUT-WASHER 4 | | | 2 | 2 | 2 | 2 |
| 43 | •5MVX111DN003 | RING STOPPER /A-49 FEED A4 | | | 9 | 9 | 9 | 9 |
| 44 | •303NJ31130 | GEAR Z28R | | | 2 | 2 | 2 | 2 |
| 45 | •302H702590 | BUSH SCREW | | | 6 | 6 | 6 | 6 |

FIG. 5 Electrical Components

3NJ

| Ref No. | Part.No. | Description | Notes | Revision | Quantity | | | |
|---------|-------------------|----------------------------|-------|----------|----------|-----|-----|-----|
| | | | | | 100 | 120 | 230 | 240 |
| 46 | •302KV94520 | PARTS CLUTCH 50 Z35R SP | | | 2 | 2 | 2 | 2 |
| 47 | •303NJ31090 | GEAR Z44R | | | 1 | 1 | 1 | 1 |
| 48 | •303NJ31120 | PIN FEED DRIVE | | | 7 | 7 | 7 | 7 |
| 49 | •303NJ31080 | GEAR Z75L-Z32L | | | 1 | 1 | 1 | 1 |
| 50 | •303NJ31070 | GEAR Z56L-Z40R | | | 1 | 1 | 1 | 1 |
| 51 | •302JZ31170 | GEAR Z27L MAIN | | | 1 | 1 | 1 | 1 |
| 52 | •303NJ31140 | GEAR Z40R-Z34L | | | 2 | 2 | 2 | 2 |
| 53 | •302H731500 | GEAR Z36L MAIN | | | 1 | 1 | 1 | 1 |
| 54 | •303NJ31031 | BRACKET GEAR CHANGE | | | 1 | 1 | 1 | 1 |
| 55 | •303NJ31060 | GEAR Z60R | | | 1 | 1 | 1 | 1 |
| 56 | •303NJ31010 | HOLDER DECK DRIVE | | | 1 | 1 | 1 | 1 |
| 57 | •302K994334 | PARTS MOTOR-BL W30 SP | | | 1 | 1 | 1 | 1 |
| 58 | •303NJ31150 | PLATE EARTH FEED | | | 1 | 1 | 1 | 1 |
| 59 | •7YZM610001+++H01 | ACCESS SADDLE | | | 2 | 2 | 2 | 2 |
| 60 | •7YZM610007+++H01 | ACCESS.SADDLE | | | 1 | 1 | 1 | 1 |
| 61 | •303NJ31020 | PLATE DECK DRIVE | | | 1 | 1 | 1 | 1 |
| 62 | 303NJ46110 | WIRE MAIN MOTOR | | | 1 | 1 | 1 | 1 |
| 63 | 303NJ46060 | WIRE LIFTMOTOR | | | 1 | 1 | 1 | 1 |
| 64 | 303NJ46070 | WIRE SIZE | | | 1 | 1 | 1 | 1 |
| 65 | 303NJ46020 | WIRE HEATER | | | 1 | 1 | 1 | 1 |
| 66 | 303NJ46040 | WIRE SMT POWER | | | 1 | 1 | 1 | 1 |
| 67 | 303NJ46120 | WIRE VERTICAL 2 | | | 1 | 1 | 1 | 1 |
| 68 | 303NJ46030 | WIRE FEED CLUTCH | | | 1 | 1 | 1 | 1 |
| 69 | 302K946420 | WIRE PAPER SENSOR | | | 2 | 2 | 2 | 2 |
| 70 | 303NJ46010 | WIRE ENGINE I/F | | | 1 | 1 | 1 | 1 |
| 101 | 7BB700410H | +BIND T.T S SCREW 4X10 SR | | | | | | |
| 102 | 7BB700308H | +BIND T.T S SCREW 3X8 SR | | | | | | |
| 103 | 5MBP2012WXSP | SPRING PIN / M2 X 12 S-BLK | | | | | | |
| 104 | 7BB000305H | +BIND M SCREW 3X5 | | | | | | |
| 105 | 7BB200410H | +BIND T.T P SCREW 4X10 | | | | | | |

FIG. 6 Accessories & Options

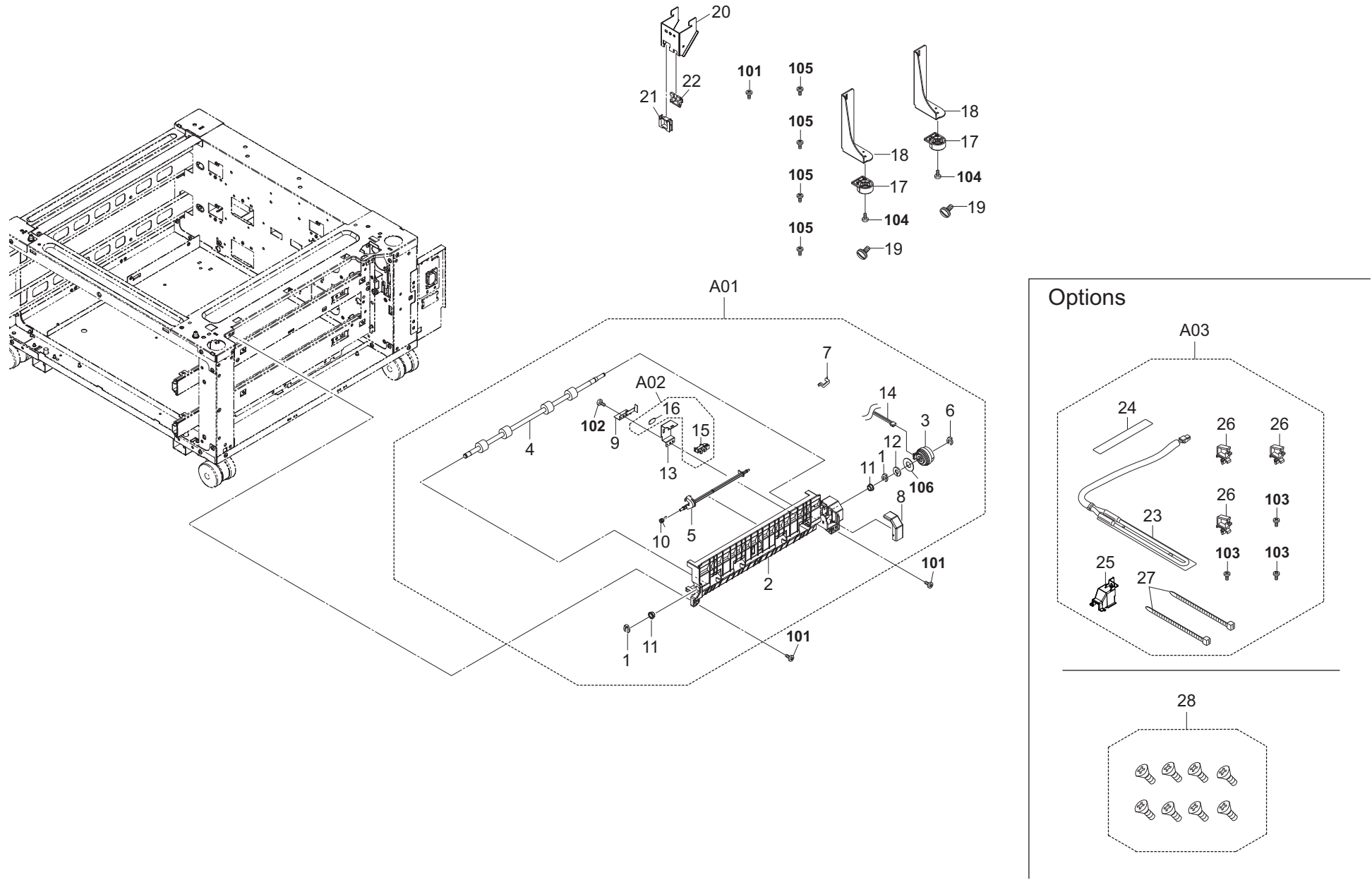


FIG. 6 Accessories & Options

3NJ

| Ref No. | Part.No. | Description | Notes | Revision | Quantity | | | |
|---------|------------------|-------------------------------------|-------|----------|----------|-----|-----|-----|
| | | | | | 100 | 120 | 230 | 240 |
| A01 | 303NF94011 | PARTS MIDDLE ROLLER UNIT SP | | | 1 | 1 | 1 | 1 |
| 1 | •2BC06910 | STOPPER 6 | | | 2 | 2 | 2 | 2 |
| 2 | •303NF06090 | GUIDE JUNCTION VF | | | 1 | 1 | 1 | 1 |
| 3 | •302NH94540 | PARTS CLUTCH 50 Z35R SP | | | 1 | 1 | 1 | 1 |
| 4 | •303NF94070 | PARTS ROLLER CONVEYING VF SP | | | 1 | 1 | 1 | 1 |
| 5 | •303NF06210 | ACTUATOR VF SENSOR | | | 1 | 1 | 1 | 1 |
| 6 | •5MVX111DN003 | RING STOPPER /A-49 FEED A4 | | | 1 | 1 | 1 | 1 |
| 7 | •302K931080 | WIRE STOPPER | | | 1 | 1 | 1 | 1 |
| 8 | •303NF06240 | COVER MIDDLE | | | 1 | 1 | 1 | 1 |
| 9 | •303NF06230 | PLATE EARTH VF | | | 1 | 1 | 1 | 1 |
| 10 | •302H729120 | SPRING ACT DU | | | 1 | 1 | 1 | 1 |
| 11 | •28107310 | BUSH 8 | | | 2 | 2 | 2 | 2 |
| 12 | •302K924820 | CUT-WASHER 4 | | | 1 | 1 | 1 | 1 |
| 13 | •303NF06220 | MOUNT SENSOR VF | | | 1 | 1 | 1 | 1 |
| 14 | •303NJ46080 | WIRE VERTICAL 1 | | | 1 | 1 | 1 | 1 |
| A02 | •303NF94080 | PARTS SENSOR OPT. SET SP | | | 1 | 1 | 1 | 1 |
| 15 | ••303M894260 | PARTS SENSOR OPT SP | | | 1 | 1 | 1 | 1 |
| 16 | ••302GR17970 | STOPPER PI | | | 1 | 1 | 1 | 1 |
| 17 | 302FZ02600 | FOOT | | | 2 | 2 | 2 | 2 |
| 18 | 303NF02330 | PLATE FULCRUM | | | 2 | 2 | 2 | 2 |
| 19 | 303NS24410 | SCREW PLATE DF | | | 2 | 2 | 2 | 2 |
| 20 | 303NF02230 | MOUNT MACHINE | | | 1 | 1 | 1 | 1 |
| 21 | 7YZM210005++H01 | ACCESS.EDGING | | | 1 | 1 | 1 | 1 |
| 22 | 7YZM210006++H01 | ACCESS.EDGING | | | 1 | 1 | 1 | 1 |
| A03 | 303NJ94061 | PARTS DEHUMIDIFINR 100 SET SP | | | 1 | | | |
| A03 | 303NJ94071 | PARTS DEHUMIDIFINR 120 SET SP | | | | 1 | | |
| A03 | 303NJ94081 | PARTS DEHUMIDIFINR 240 SET SP | | | | | 1 | 1 |
| 23 | •302H794380 | PARTS CASSETTE HEATER 100 | | | 1 | | | |
| 23 | •302H794620 | PARTS HEATER DEHUMIDIFIER 120 | | | | 1 | | |
| 23 | •302H794610 | PARTS HEATER DEHUMIDIFIER 240 | | | | | 1 | 1 |
| 24 | •302KP34220 | LABEL HIGH TEMPERATURE CAUTION | | | 1 | 1 | 1 | 1 |
| 25 | •303LM02220 | COVER CONNECTER HEATER | | | 1 | 1 | 1 | 1 |
| 26 | •7YZM610001++H01 | ACCESS SADDLE | | | 3 | 3 | 3 | 3 |
| 27 | •7YZM420003++H01 | ACCESS.BAND | | | 2 | 2 | 2 | 2 |
| 28 | 302N494220 | PARTS CURSOR SCREW SET SP | | | 1 | 1 | 1 | 1 |
| 101 | 7BB180408H | +BIND T.T S SCREW 4X8(BLACK) | | | | | | |
| 102 | 7BB200312H | +BIND T.T P SCREW 3X12 | | | | | | |
| 103 | 7BB700408H | +BIND T.T S SCREW 4X8 SR | | | | | | |
| 104 | 7BB782410H | +TP-FLAT T.T S SCREW 4X10 SR(BLACK) | | | | | | |
| 105 | 7BB780420H | +BIND T.T S SCREW 4X20 SR(BLACK) | | | | | | |
| 106 | 7BC040621250H01 | WASHER 6.2X12X0.5T | | | | | | |

PF-740(B)

[CONFIDENTIAL]

FOR AUTHORIZED KYOCERA ENGINEERS ONLY. DO NOT DISTRIBUTE TO NON-AUTHORIZED PARTIES.

Items listed in the revision columns are defined as follows.

| Item | Description |
|---------------|---|
| Add | Add a new part |
| Del | Delete a part |
| Design-chg. | A design changed part (Parts number version up) |
| Part No.-chg. | A part number is changed to other one. |
| Quantity-chg. | Change Quantity of parts to use |
| Others | Other changes |
| Correction | Correction |

Revision history

| Rev. | Date | Remarks |
|------|------------|---------------|
| 1 | July 2019 | Other changes |
| 2 | March 2020 | Design-chg. |
| | | |
| | | |
| | | |
| | | |

Symbols in the parts list

- Parts without a Ref.No. in the illustration indicate they are not supplied.
- Parts with "*" are component parts or sub-assemblies of the assembly appearing immediately above them.
- Parts with "**" are component parts or sub-assembly with "*" appearing immediately above them.

[CONFIDENTIAL]

京セラドキュメントソリューションズ株式会社の許可なく、本資料を配布することを禁じます。

改訂欄記載項目の内容は以下の通りです。

| 記載項目 | 内容 |
|---------------|--------------|
| Add | 新規部品の追加 |
| Del | 部品の削除 |
| Design-chg. | 部品の設変(版数アップ) |
| Part No.-chg. | 部品番号の変更 |
| Quantity-chg. | 部品の個数変更 |
| Others | その他の変更 |
| Correction | 誤記訂正 |

改訂履歴

| Rev. | 改訂日 | 備考 |
|------|---------|--------|
| 1 | 2019年7月 | その他の変更 |
| 2 | 2020年3月 | 設変対応 |
| | | |
| | | |
| | | |
| | | |

記号の見方

- イラスト中で Ref 番号がない部品は供給できません。
- 部品番号欄の・印は、組立部品の単品部品及び準組立部品を表わします。
- 部品番号欄の**印は、準組立部品の単品部品を表わします。

———— CONTENTS ————

| | | |
|--------|-----------------------------|----|
| FIG. 1 | Covers | 2 |
| FIG. 2 | Frame | 4 |
| FIG. 3 | Paper Cassettes | 6 |
| FIG. 4 | Paper Feed Section 1 | 9 |
| FIG. 5 | Paper Feed Section 2 | 12 |
| FIG. 6 | Paper Feed Section 3 | 14 |
| FIG. 7 | Drive Section | 17 |
| FIG. 8 | Electrical Components | 19 |
| FIG. 9 | Accessories & Options | 21 |

FIG. 1 Covers

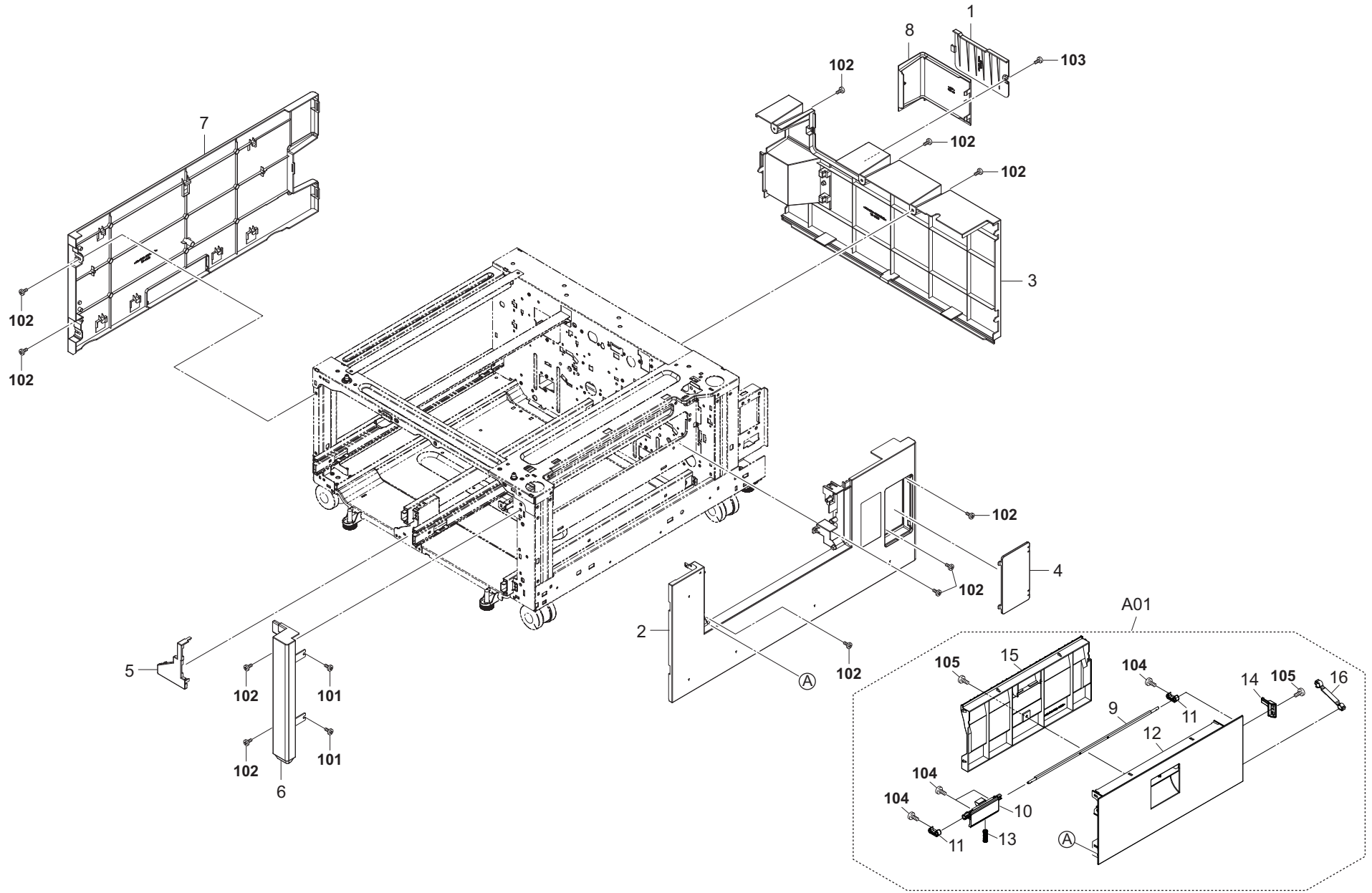


FIG. 1 Covers

3NF

| Ref No. | Part.No. | Description | Notes | Revision | Quantity | | | |
|---------|-------------|----------------------------------|-------|----------|----------|-----|-----|-----|
| | | | | | 100 | 120 | 230 | 240 |
| 1 | 303LM04090 | COVER CONNECTOR | | | 1 | 1 | 1 | 1 |
| 2 | 303NF04034 | COVER RIGHT | | | 1 | 1 | 1 | 1 |
| 3 | 303NF04051 | COVER REAR | | | 1 | 1 | 1 | 1 |
| 4 | 303NF04121 | COVER INTERFACE | | | 1 | 1 | 1 | 1 |
| 5 | 303NF04130 | COVER MOUNT SLIDER | | | 1 | 1 | 1 | 1 |
| 6 | 303NF04150 | COVER RIGHT FRONT | | | 1 | 1 | 1 | 1 |
| 7 | 303NJ04041 | COVER LEFT | | | 1 | 1 | 1 | 1 |
| 8 | 303NJ04081 | COVER CORD | | | 1 | 1 | 1 | 1 |
| A01 | 303NF94030 | PARTS VERTICAL CONVEYING UNIT SP | | | 1 | 1 | 1 | 1 |
| 9 | *302K906681 | SHAFT FEED LOW HOOK | | | 1 | 1 | 1 | 1 |
| 10 | *302K906660 | HANDLE FEED LOW | | | 1 | 1 | 1 | 1 |
| 11 | *302K906670 | HOOK FEED LOW | | | 2 | 2 | 2 | 2 |
| 12 | *303NJ06010 | COVER FEED LOW | | | 1 | 1 | 1 | 1 |
| 13 | *302FZ20021 | SPRING LID | | | 1 | 1 | 1 | 1 |
| 14 | *303NF06170 | LEVER SW | | | 1 | 1 | 1 | 1 |
| 15 | *303NF06141 | GUIDE VERTICAL | | | 1 | 1 | 1 | 1 |
| 16 | *303NJ06050 | STRAP | | | 1 | 1 | 1 | 1 |
| 101 | 7BB700410H | +BIND T.T S SCREW 4X10 SR | | | | | | |
| 102 | 7BB180408H | +BIND T.T S SCREW 4X8(BLACK) | | | | | | |
| 103 | 7BB282408H | +TP-FLAT T.T P SCREW 4X8(BLACK) | | | | | | |
| 104 | 7BB600306H | +BIND M SCREW 3X6 R | | | | | | |
| 105 | 7BB200410H | +BIND T.T P SCREW 4X10 | | | | | | |

FIG. 2 Frames

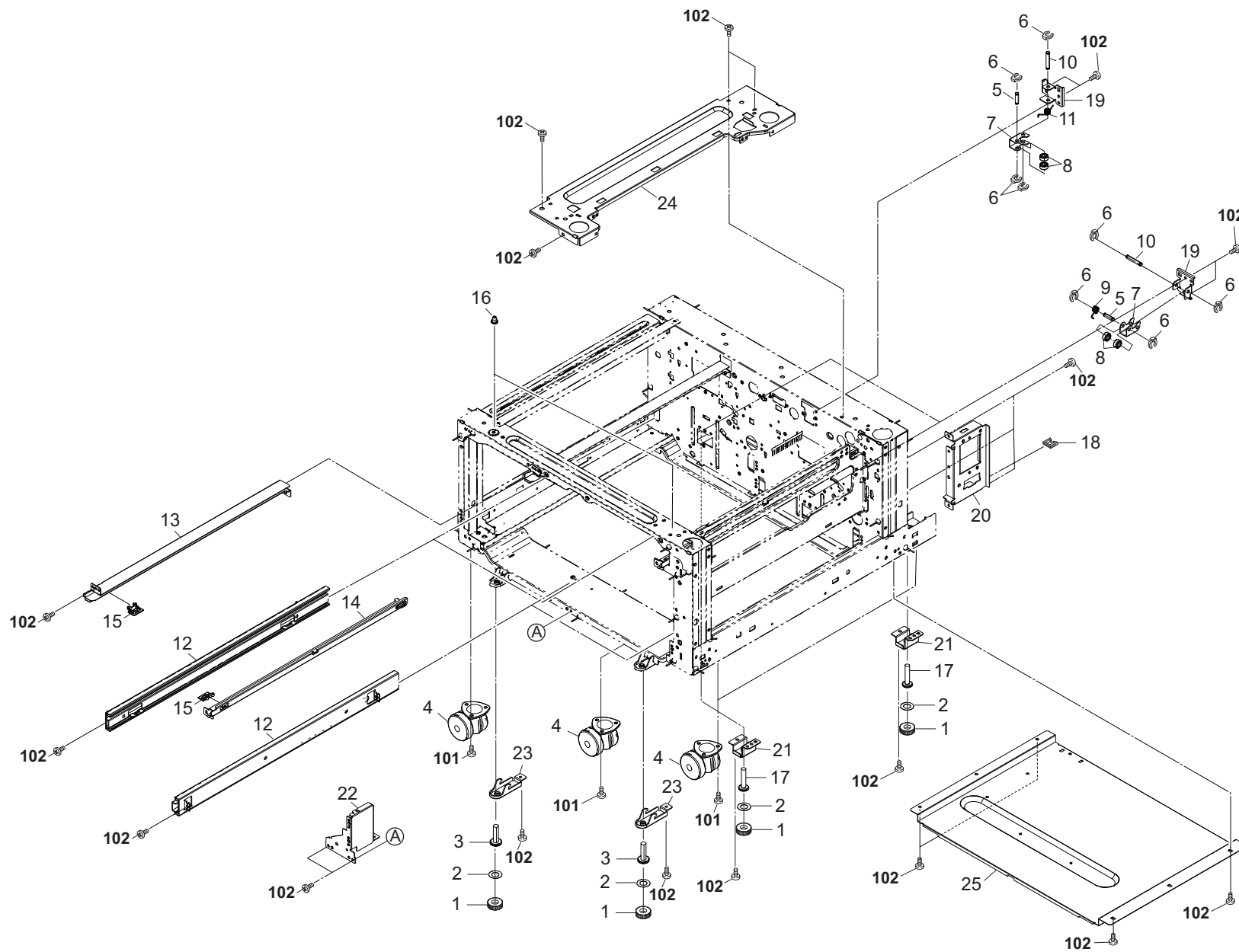


FIG. 2 Frames

3NF

| Ref No. | Part.No. | Description | Notes | Revision | Quantity | | | |
|---------|-----------------|--------------------------------|-------|----------|----------|-----|-----|-----|
| | | | | | 100 | 120 | 230 | 240 |
| 1 | 303LM02170 | RUBBER BOLT | | | 4 | 4 | 4 | 4 |
| 2 | 303LM02230 | SHEET BOLT RUBBER | | | 4 | 4 | 4 | 4 |
| 3 | 303NF02210 | BOLT DECK STOPPER | | | 2 | 2 | 2 | 2 |
| 4 | 302N202011 | CASTER 100 CN | | | 4 | 4 | 4 | 4 |
| 5 | 303NF02290 | SHAFT HOOK PULLEY | | | 3 | 3 | 3 | 3 |
| 6 | 5MVX111DN003 | RING STOPPER /A-49 FEED A4 | | | 12 | 12 | 12 | 12 |
| 7 | 303NF02270 | LEVER DECK HOOK | | | 3 | 3 | 3 | 3 |
| 8 | 302FG07020 | PULLEY,CASSETTE RAIL | | | 6 | 6 | 6 | 6 |
| 9 | 303NF02310 | SPRING DECK HOOK | | | 2 | 2 | 2 | 2 |
| 10 | 303NF02280 | SHAFT HOOK FULCRUM | | | 3 | 3 | 3 | 3 |
| 11 | 302LH02050 | SPRING CASSETTE HOOK | | | 1 | 1 | 1 | 1 |
| 12 | 303NF10030 | SLIDER DECK | | | 4 | 4 | 4 | 4 |
| 13 | 303NF02150 | RAIL DECK FEED | | | 1 | 1 | 1 | 1 |
| 14 | 303NF02260 | RAIL CONVEYING | | | 1 | 1 | 1 | 1 |
| 15 | 302FZ09050 | SLIDER CASSETTE | | | 2 | 2 | 2 | 2 |
| 16 | 303LM02181 | PIN STAY | | | 2 | 2 | 2 | 2 |
| 17 | 303LM02132 | BOLT STOPPER | | | 2 | 2 | 2 | 2 |
| 18 | 7YZM210005++H01 | ACCESS.EDGING | | | 1 | 1 | 1 | 1 |
| 19 | 303NF02301 | HOLDER DECK HOOK | | | 3 | 3 | 3 | 3 |
| 20 | 303NF39010 | MOUNT BRACKET DESK | | | 1 | 1 | 1 | 1 |
| 21 | 303NF02190 | MOUNT FOOT REAR | | | 2 | 2 | 2 | 2 |
| 22 | 303NF02171 | MOUNT SLIDER DECK | | | 1 | 1 | 1 | 1 |
| 23 | 303NF02130 | PLATE BOLT FRONT | | | 2 | 2 | 2 | 2 |
| 24 | 303NF02060 | STAY UPPER RIGHT | | | 1 | 1 | 1 | 1 |
| 25 | 303NF02122 | PLATE LOW | | | 1 | 1 | 1 | 1 |
| 101 | 7BB606512H | +BIND M SCREW WITH SW W 5X12 R | | | | | | |
| 102 | 7BB700410H | +BIND T.T S SCREW 4X10 SR | | | | | | |

FIG. 3 Paper Cassettes

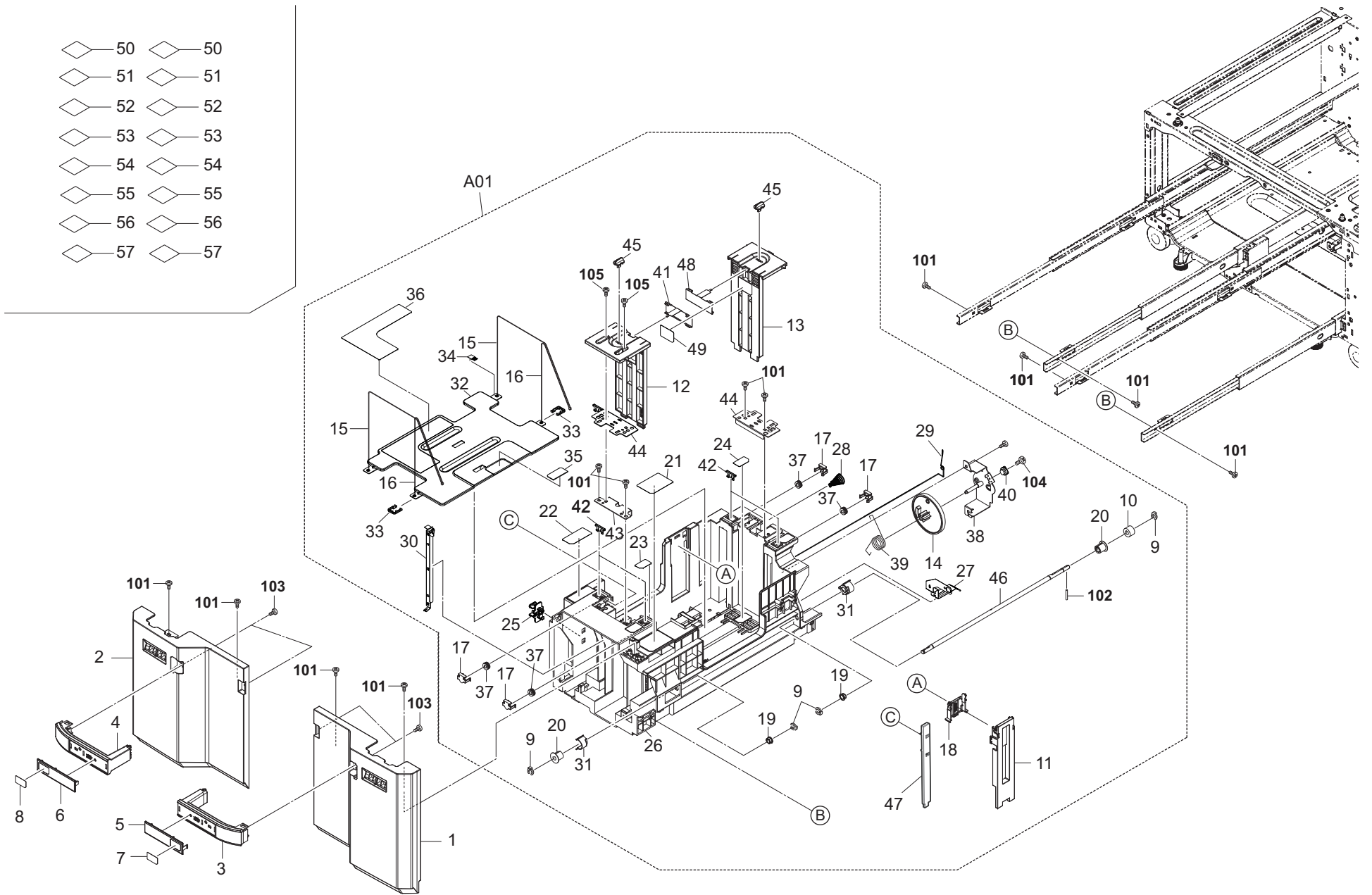


FIG. 3 Paper Cassettes

3NF

| Ref No. | Part.No. | Description | Notes | Revision | Quantity | | | |
|---------|-------------|----------------------------|--------|----------|----------|-----|-----|-----|
| | | | | | 100 | 120 | 230 | 240 |
| 1 | 303NF04010 | COVER FRONT RIGHT | | | 1 | 1 | 1 | 1 |
| 2 | 303NF04020 | COVER FRONT LEFT | | | 1 | 1 | 1 | 1 |
| 3 | 303NF04070 | HANDLE DECK RIGHT | | | 1 | 1 | 1 | 1 |
| 4 | 303NF04080 | HANDLE DECK LEFT | | | 1 | 1 | 1 | 1 |
| 5 | 303NF04090 | EMBLEM DECK RIGHT | | | 1 | 1 | 1 | 1 |
| 6 | 303NF04100 | EMBLEM DECK LEFT | | | 1 | 1 | 1 | 1 |
| 7 | 302K934070 | LABEL CASSETTE NUMBER 3 | | | 1 | 1 | 1 | 1 |
| 8 | 302K934080 | LABEL CASSETTE NUMBER 4 | | | 1 | 1 | 1 | 1 |
| A01 | 303NF94113 | PARTS DECK UNIT(INCHI) SP | Inch | | | 2 | | |
| A01 | 303NF94024 | PARTS DECK UNIT SP | Metric | | 2 | | 2 | 2 |
| 9 | *2BC06980 | STOPPER 5 | | | 8 | 8 | 8 | 8 |
| 10 | *2BC07110 | GEAR 20 | | | 2 | 2 | 2 | 2 |
| 11 | *303NF10070 | CURSOR END DECK | Metric | | 2 | | 2 | 2 |
| 12 | *303NF10080 | CURSOR DECK FRONT | | | 2 | 2 | 2 | 2 |
| 13 | *303NF10091 | CURSOR DECK REAR | | | 2 | 2 | 2 | 2 |
| 14 | *303NF10550 | GEAR DAMPER 100 | | | 2 | 2 | 2 | 2 |
| 15 | *303NF10180 | WIRE LIFT A | | | 4 | 4 | 4 | 4 |
| 16 | *303NF10190 | WIRE LIFT B | | | 4 | 4 | 4 | 4 |
| 17 | *303NF10220 | STOPPER PULLEY | | | 8 | 8 | 8 | 8 |
| 18 | *303NF10410 | CURSOR END SUB | Metric | | 2 | | 2 | 2 |
| 19 | *28107310 | BUSH 8 | | | 4 | 4 | 4 | 4 |
| 20 | *2BC07020 | FRONT PULLEY,LIFT DRIVE | | | 4 | 4 | 4 | 4 |
| 21 | *302NH34770 | LABEL DECK PAPER DIRECTION | | | 2 | 2 | 2 | 2 |
| 22 | *303NF34020 | LABEL DECK OPERATION B | | | 2 | 2 | 2 | 2 |
| 23 | *303NF34060 | LABEL DECK SIZE B | Metric | | 2 | | 2 | 2 |
| 24 | *303NF34080 | LABEL DECK SIZE D | Metric | | 2 | | 2 | 2 |
| 25 | *302GR09991 | LIFT LOCK | | | 2 | 2 | 2 | 2 |
| 26 | *303NF10013 | DECK CASSETTE | | | 2 | 2 | 2 | 2 |
| 27 | *303NF10430 | PLATE EARTH REAR | | | 2 | 2 | 2 | 2 |
| 28 | *303NF10450 | WIRE EARTH B | | | 2 | 2 | 2 | 2 |
| 29 | *303NF10440 | WIRE EARTH A | | | 2 | 2 | 2 | 2 |
| 30 | *303NF10420 | PLATE EARTH FRONT | | | 2 | 2 | 2 | 2 |
| 31 | *303NF10320 | HOLDER PULLEY | | | 4 | 4 | 4 | 4 |
| 32 | *303NF10051 | PLATE LIFT DECK | | | 2 | 2 | 2 | 2 |
| 33 | *2BC07120 | SPACER,DECK LIFT | | | 4 | 4 | 4 | 4 |
| 34 | *303JY37220 | STATIC ELIMINATOR CURSOR | | | 2 | 2 | 2 | 2 |
| 35 | *303NF10021 | PAD BOTTOM DECK | | | 2 | 2 | 2 | 2 |
| 36 | *303NF34011 | LABEL DECK OPERATION A | Metric | | 2 | | 2 | 2 |
| 37 | *303NF10300 | PULLEY LIFT WIRE | | | 8 | 8 | 8 | 8 |
| 38 | *303NF10560 | MOUNT DECK DAMPER | | | 2 | 2 | 2 | 2 |
| 39 | *303NF10570 | SPRING LIFT STOPPER | | | 2 | 2 | 2 | 2 |
| 40 | *302G404160 | DAMPER | | | 2 | 2 | 2 | 2 |
| 41 | *303NF10100 | PLATE DECK SUB | | | 2 | 2 | 2 | 2 |
| 42 | *303NF10150 | PLATE WIRE LOCK | | | 8 | 8 | 8 | 8 |
| 43 | *303NF10390 | MOUNT CURSOR ADJUST | | | 2 | 2 | 2 | 2 |
| 44 | *303NF10110 | MOUNT CURSOR | | | 4 | 4 | 4 | 4 |
| 45 | *303NF10250 | PIN CURSOR LOCK | | | 4 | 4 | 4 | 4 |
| 46 | *303NF10130 | SHAFT DECK LIFT | | | 2 | 2 | 2 | 2 |
| 47 | *303NF10520 | CURSOR END A4 | Metric | | 2 | | 2 | 2 |
| 48 | *303NF10530 | PLATE DECK SUB | | | 2 | 2 | 2 | 2 |

FIG. 3 Paper Cassettes

3NF

| Ref No. | Part.No. | Description | Notes | Revision | Quantity | | | |
|---------|-------------|---------------------------------|---------------------------|----------|----------|-----|-----|-----|
| | | | | | 100 | 120 | 230 | 240 |
| 49 | *302NH34760 | LABEL DECK PAPER LIMIT | | | 2 | 2 | 2 | 2 |
| 50 | 302K934700 | SHEET CASSETTE PAPER SIZE A | Metric | | 2 | 2 | 2 | 2 |
| 51 | 302K934710 | SHEET CASSETTE PAPER SIZE B | Inch | | 2 | 2 | 2 | 2 |
| 52 | 302K934720 | SHEET CASSETTE PAPER MEDIA JP | Japanese | | 2 | | | |
| 52 | 302K934730 | SHEET CASSETTE PAPER MEDIA KL-A | English | | | 2 | 2 | 2 |
| 53 | 302K934740 | SHEET CASSETTE PAPER MEDIA KL-B | Spanish | | | 2 | 2 | 2 |
| 54 | 302K934750 | SHEET CASSETTE PAPER MEDIA KL-C | French/Portuguese(Brazil) | | | 2 | 2 | 2 |
| 55 | 302K934760 | SHEET CASSETTE PAPER MEDIA KL-D | German/Dutch | | | | 2 | 2 |
| 56 | 302K934770 | SHEET CASSETTE PAPER MEDIA KL-E | Italian/Russian | | | | 2 | 2 |
| 57 | 302K934780 | SHEET CASSETTE PAPER MEDIA CN-A | Simplified Chinese/Korean | | | | 2 | 2 |
| 101 | 7BB200410H | +BIND T.T P SCREW 4X10 | | | | | | |
| 102 | E0030240 | SPRING PIN 3X24 | | | | | | |
| 103 | 7BB200310H | +BIND T.T P SCREW 3X10 | | | | | | |
| 104 | 7BB007304H | +TP-CUP M SCREW 3X4 | | | | | | |
| 105 | 7BB700410H | +BIND T.T S SCREW 4X10 SR | | | | | | |

FIG. 4 Paper Feed Section 1

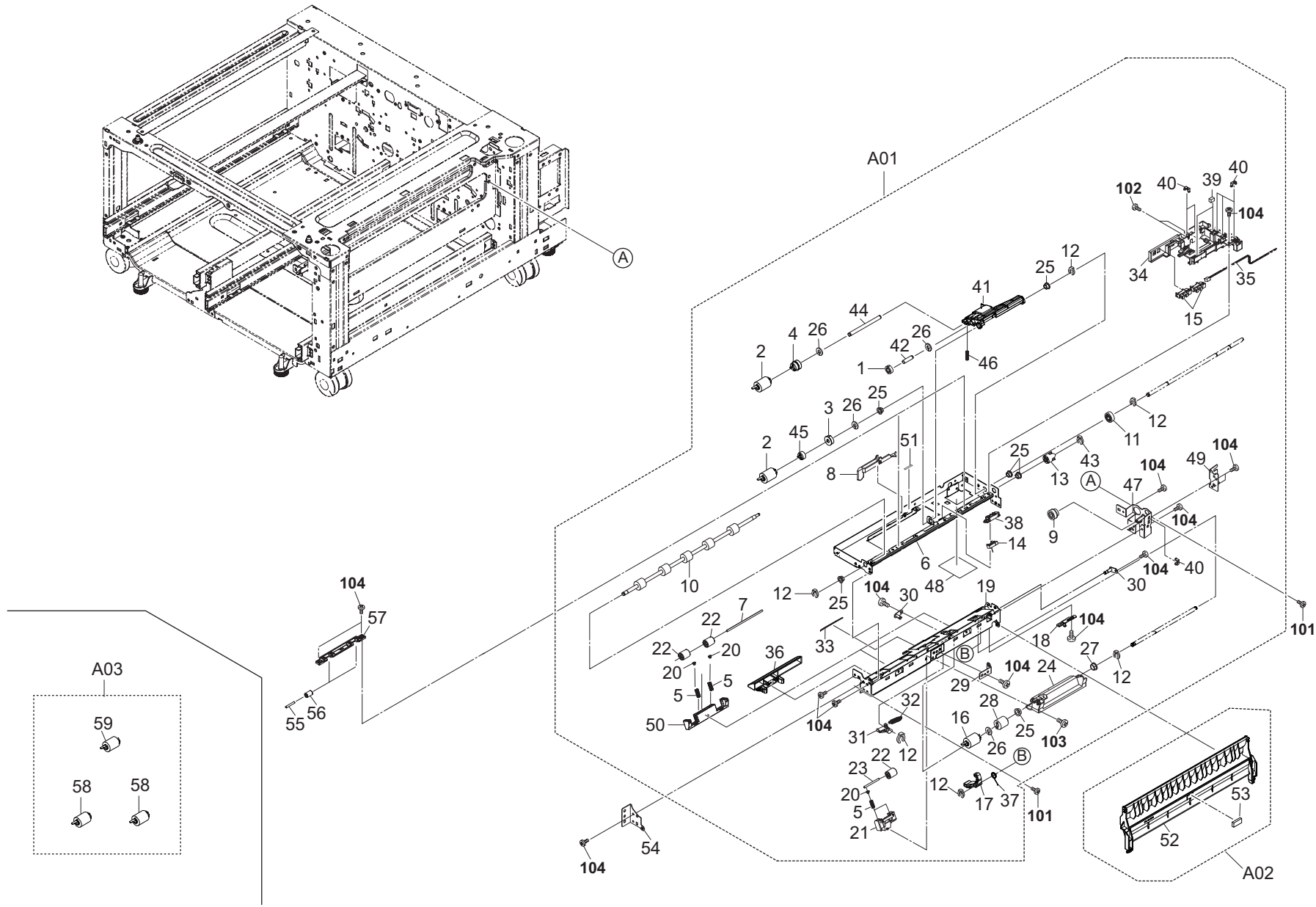


FIG. 4 Paper Feed Section 1

| Ref No. | Part.No. | Description | Notes | Revision | Quantity | | | |
|---------|---------------|----------------------------------|-------|---------------|----------|-----|-----|-----|
| | | | | | 100 | 120 | 230 | 240 |
| A01 | 302N294030 | PARTS PRIMARY FEED UNIT DECK SP | | | 1 | 1 | 1 | 1 |
| 1 | •302N406170 | GEAR Z28 FEED | | | 1 | 1 | 1 | 1 |
| 2 | •302N406030 | PULLEY FEED | | | 2 | 2 | 2 | 2 |
| 3 | •302N406100 | GEAR Z32 FEED OW | | | 1 | 1 | 1 | 1 |
| 4 | •302N406110 | GEAR Z32 PICKUP | | | 1 | 1 | 1 | 1 |
| 5 | •302F925780 | SPRING DU | | | 6 | 6 | 6 | 6 |
| 6 | •302N406010 | PLATE FRAME UPPER | | | 1 | 1 | 1 | 1 |
| 7 | •302K906510 | SHAFT FEED LOW | | | 2 | 2 | 2 | 2 |
| 8 | •302K906321 | ACTUATOR PAPER EMPTY | | | 1 | 1 | 1 | 1 |
| 9 | •302K906230 | GEAR PRIMARY FEED IDLE Z20R Z16L | | | 1 | 1 | 1 | 1 |
| 10 | •303NJ94050 | PARTS ROLLER ASSIST SP | | | 1 | 1 | 1 | 1 |
| 11 | •302K906240 | GEAR FEED DRIVE Z20L | | | 1 | 1 | 1 | 1 |
| 12 | •5MVX111DN003 | RING STOPPER /A-49 FEED A4 | | | 6 | 6 | 6 | 6 |
| 13 | •303NJ06040 | GEAR PRIMARY FEED Z17L OW | | | 1 | 1 | 1 | 1 |
| 14 | •302K994580 | PARTS SENSOR OPT. SP | | | 1 | 1 | 1 | 1 |
| 15 | •303M894260 | PARTS SENSOR OPT SP | | | 2 | 2 | 2 | 2 |
| 16 | •302N406040 | PULLEY RETARD | | | 1 | 1 | 1 | 1 |
| 17 | •302N406160 | LEVER RETARD LOCK | | | 1 | 1 | 1 | 1 |
| 18 | •302K906420 | PLATE RETARD ADJUST | | | 1 | 1 | 1 | 1 |
| 19 | •302K906032 | PLATE FRAME LOWER | | | 1 | 1 | 1 | 1 |
| 20 | •2FM04150 | CAP SPRING /B-11 ENCLOSURE A4 | | | 6 | 6 | 6 | 6 |
| 21 | •302K906701 | HOLDER PULLEY | | Design-chg. | 1 | 1 | 1 | 1 |
| 22 | •302NH29260 | PULLEY DU LOW | | Part No.-chg. | 5 | 5 | 5 | 5 |
| 23 | •302K906710 | SHAFT ASSIST PULLEY | | | 1 | 1 | 1 | 1 |
| 24 | •302K906151 | HOLDER RETARD | | | 1 | 1 | 1 | 1 |
| 25 | •302K324450 | BUSH 6 | | | 6 | 6 | 6 | 6 |
| 26 | •302K924820 | CUT-WASHER 4 | | | 4 | 4 | 4 | 4 |
| 27 | •34806040 | LOWER BUSHING,PAPER FEED | | | 1 | 1 | 1 | 1 |
| 28 | •302K906750 | TORQUE-LIMITER 390 | | | 1 | 1 | 1 | 1 |
| 29 | •302K906300 | PLATE RETARD HOLDER | | | 1 | 1 | 1 | 1 |
| 30 | •302N406150 | FULCRUM-PIN RETARD | | | 2 | 2 | 2 | 2 |
| 31 | •302N406130 | LEVER RETARD RELEASE | | | 1 | 1 | 1 | 1 |
| 32 | •302N406200 | SPRING RETARD | | | 1 | 1 | 1 | 1 |
| 33 | •302K906721 | SHEET PRIMARY FEED HI | | | 1 | 1 | 1 | 1 |
| 34 | •302K906250 | GUIDE PRIM FEED WIRE | | | 1 | 1 | 1 | 1 |
| 35 | •303NJ46160 | WIRE PRIMARY FEED UNIT | | | 1 | 1 | 1 | 1 |
| 36 | •302N406060 | GUIDE FRONT LOWER | | | 1 | 1 | 1 | 1 |
| 37 | •302N406140 | SPRING RETARD LOCK | | | 1 | 1 | 1 | 1 |
| 38 | •302K906290 | HOLDER SENSOR FEED | | | 1 | 1 | 1 | 1 |
| 39 | •302H708150 | SPONGE WIRE MPT | | | 2 | 2 | 2 | 2 |
| 40 | •302K931080 | WIRE STOPPER | | | 6 | 6 | 6 | 6 |
| 41 | •302N406050 | HOLDER PICKUP | | | 1 | 1 | 1 | 1 |
| 42 | •302K906080 | PIN PICK UP IDLE | | | 1 | 1 | 1 | 1 |
| 43 | •5MVX111DN007 | STOPPER 3 /2BT1107 A4 | | | 1 | 1 | 1 | 1 |
| 44 | •302N406070 | SHAFT PICKUP PRIMARY | | | 1 | 1 | 1 | 1 |
| 45 | •302N406120 | ONEWAY-CLUTCH 6 | | | 1 | 1 | 1 | 1 |
| 46 | •302K906260 | SPRING PICK UP | | | 1 | 1 | 1 | 1 |
| 47 | •302K906111 | PLATE PRIMARY FEED DRIVE | | | 1 | 1 | 1 | 1 |
| 48 | •303NF06350 | SHEET SOLENOID | | | 1 | 1 | 1 | 1 |
| 49 | •302K906270 | MOUNT PRIMARY FEED R | | | 1 | 1 | 1 | 1 |

FIG. 4 Paper Feed Section 1

3NF

| Ref No. | Part.No. | Description | Notes | Revision | Quantity | | | |
|---------|-------------|-----------------------------|-------|----------|----------|-----|-----|-----|
| | | | | | 100 | 120 | 230 | 240 |
| 50 | •302K906280 | HOLDER PRIM FEED PULLEY | | | 2 | 2 | 2 | 2 |
| 51 | •302N406220 | SPACER PRIM FEED | | | 1 | 1 | 1 | 1 |
| A02 | 303NF94162 | PARTS GUIDE VF RIGHT SET SP | | | 1 | 1 | 1 | 1 |
| 52 | •303NF06131 | GUIDE VF RIGHT | | | 1 | 1 | 1 | 1 |
| 53 | •302H715070 | FRONT SPONGE CASE STAY | | | 1 | 1 | 1 | 1 |
| 54 | 302K906100 | MOUNT PRIMARY FEED | | | 1 | 1 | 1 | 1 |
| 55 | 303NJ06080 | SHAFT PULLEY PF | | | 4 | 4 | 4 | 4 |
| 56 | 303NJ06070 | PULLEY FEED PF | | | 4 | 4 | 4 | 4 |
| 57 | 303NJ06060 | HOLDER PULLEY PF | | | 2 | 2 | 2 | 2 |
| A03 | 302N494230 | PARTS PULLEY SET SP | | | 1 | 1 | 1 | 1 |
| 58 | •302N406030 | PULLEY FEED | | | 2 | 2 | 2 | 2 |
| 59 | •302N406040 | PULLEY RETARD | | | 1 | 1 | 1 | 1 |
| 101 | 7BB700410H | +BIND T.T S SCREW 4X10 SR | | | | | | |
| 102 | 7BB600306H | +BIND M SCREW 3X6 R | | | | | | |
| 103 | 7BB200308H | +BIND T.T P SCREW 3X8 | | | | | | |
| 104 | 7BB700308H | +BIND T.T S SCREW 3X8 SR | | | | | | |

FIG. 5 Paper Feed Section 2

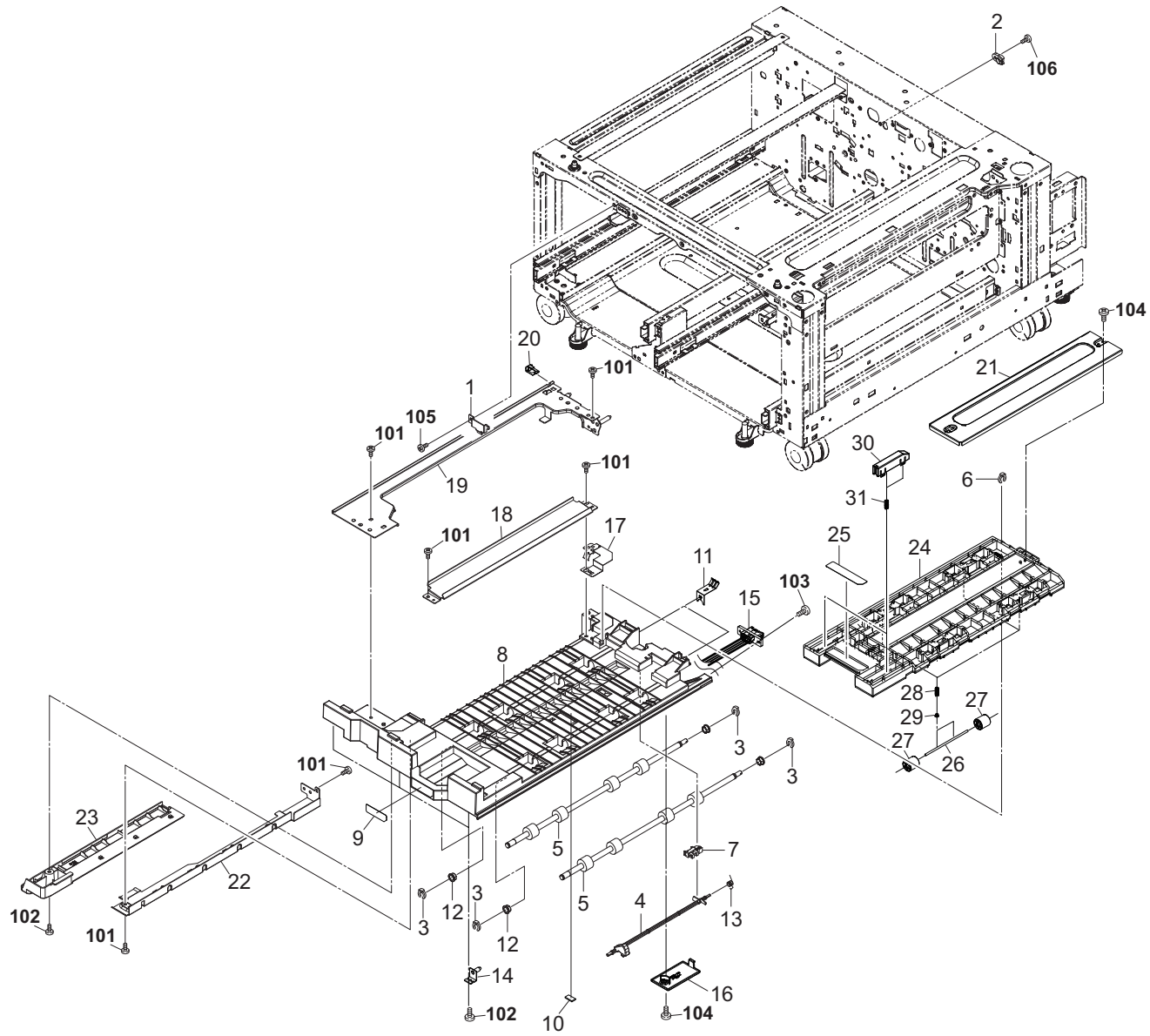


FIG. 5 Paper Feed Section 2

3NF

| Ref No. | Part.No. | Description | Notes | Revision | Quantity | | | |
|---------|--------------|--------------------------------|-------|----------|----------|-----|-----|-----|
| | | | | | 100 | 120 | 230 | 240 |
| 1 | 303NF06150 | STOPPER HF | | | 1 | 1 | 1 | 1 |
| 2 | 303NF06330 | BUSH FEED HF | | | 1 | 1 | 1 | 1 |
| 3 | 2BC06910 | STOPPER 6 | | | 4 | 4 | 4 | 4 |
| 4 | 303NF06040 | ACTUATOR HF | | | 1 | 1 | 1 | 1 |
| 5 | 303NF94100 | PARTS ROLLER CONVEYING DECK SP | | | 2 | 2 | 2 | 2 |
| 6 | 5MVX111DN003 | RING STOPPER /A-49 FEED A4 | | | 1 | 1 | 1 | 1 |
| 7 | 303M894260 | PARTS SENSOR OPT SP | | | 1 | 1 | 1 | 1 |
| 8 | 303NF06011 | GUIDE HF LOWER | | | 1 | 1 | 1 | 1 |
| 9 | 303NF34100 | LABEL DECK B1 | | | 1 | 1 | 1 | 1 |
| 10 | 303NF06340 | CUSHION ACTUATOR | | | 1 | 1 | 1 | 1 |
| 11 | 303NF06060 | PLATE HF ROLLER | | | 2 | 2 | 2 | 2 |
| 12 | 28107310 | BUSH 8 | | | 2 | 2 | 2 | 2 |
| 13 | 302H729120 | SPRING ACT DU | | | 1 | 1 | 1 | 1 |
| 14 | 303NF06270 | PIN HF LOWER | | | 3 | 3 | 3 | 3 |
| 15 | 303NF46220 | WIRE LEFT DECK 2 | | | 1 | 1 | 1 | 1 |
| 16 | 303NF06260 | LID WIRE | | | 1 | 1 | 1 | 1 |
| 17 | 303NF06050 | PLATE HF L | | | 1 | 1 | 1 | 1 |
| 18 | 303NF06030 | GUIDE HF LEFT | | | 1 | 1 | 1 | 1 |
| 19 | 303NF06020 | RAIL HF LEFT | | | 1 | 1 | 1 | 1 |
| 20 | 303NF06070 | SLIDER HF RAIL | | | 1 | 1 | 1 | 1 |
| 21 | 303NF06310 | STAY GUIDE UPPER | | | 1 | 1 | 1 | 1 |
| 22 | 303NF06282 | RAIL HF LOWER | | | 1 | 1 | 1 | 1 |
| 23 | 303NF06302 | SLIDER HF FRONT | | | 1 | 1 | 1 | 1 |
| 24 | 303NF06080 | GUIDE HF UPPER | | | 1 | 1 | 1 | 1 |
| 25 | 303NF34110 | LABEL DECK B2 | | | 1 | 1 | 1 | 1 |
| 26 | 302K906510 | SHAFT FEED LOW | | | 4 | 4 | 4 | 4 |
| 27 | 302H722760 | PULLEY MIDDLE A | | | 8 | 8 | 8 | 8 |
| 28 | 303NF06320 | SPRING DECK FEED | | | 8 | 8 | 8 | 8 |
| 29 | 2FM04150 | CAP SPRING /B-11 ENCLOSURE A4 | | | 8 | 8 | 8 | 8 |
| 30 | 303NF06180 | LEVER HF UPPER | | | 2 | 2 | 2 | 2 |
| 31 | 302F708310 | SPRING LOCK MPF | | | 4 | 4 | 4 | 4 |
| 101 | 7BB200412H | +BIND T.T P SCREW 4X12 | | | | | | |
| 102 | 7BB200410H | +BIND T.T P SCREW 4X10 | | | | | | |
| 103 | 7BB200312H | +BIND T.T P SCREW 3X12 | | | | | | |
| 104 | 7BB202308H | +TP-FLAT T.T P SCREW 3X8 | | | | | | |
| 105 | 7BB700410H | +BIND T.T S SCREW 4X10 SR | | | | | | |
| 106 | 7BB102308H | +TP-FLAT T.T S SCREW 3X8 | | | | | | |

FIG. 6 Paper Feed Section 3

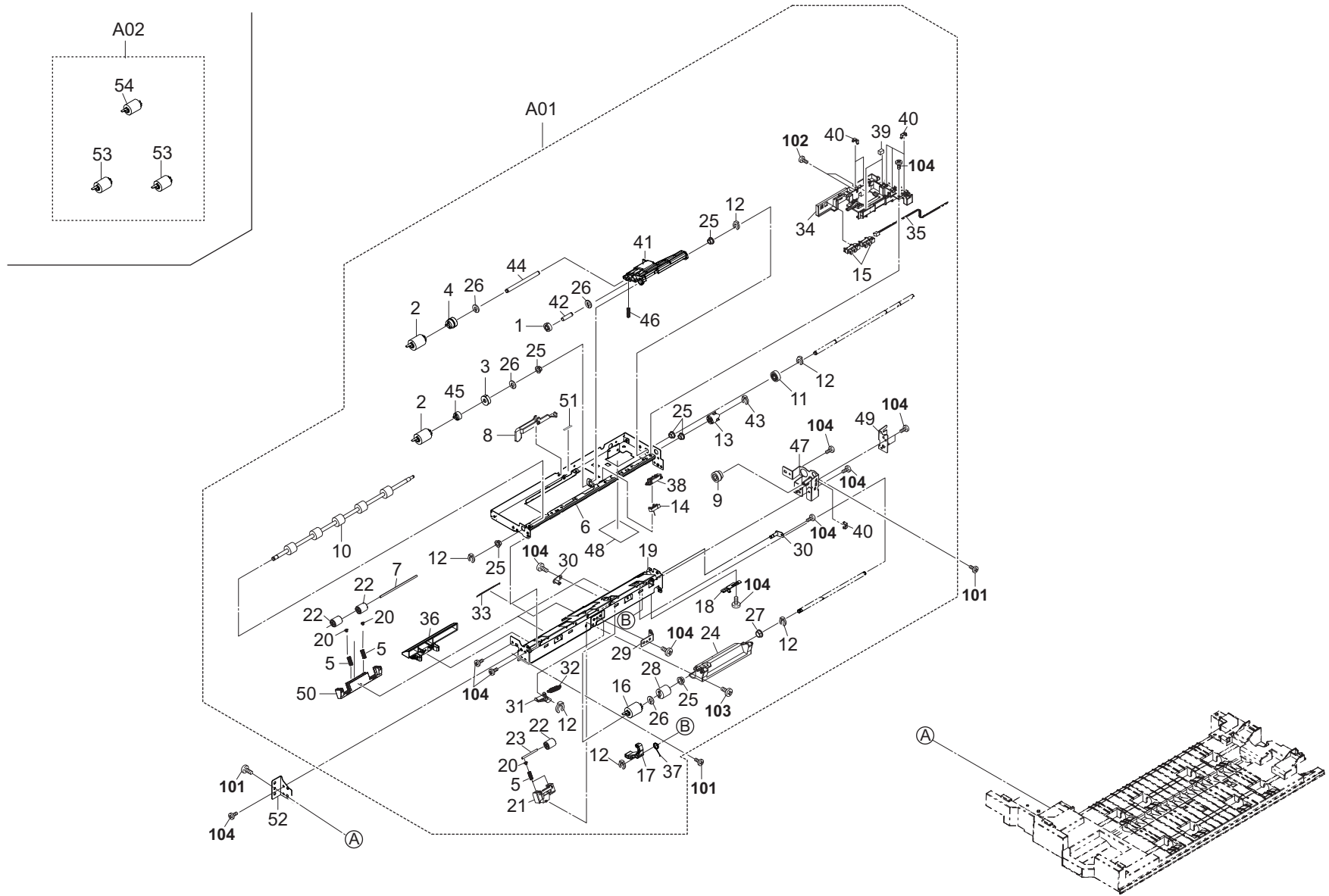


FIG. 6 Paper Feed Section 3

3NF-2

| Ref No. | Part.No. | Description | Notes | Revision | Quantity | | | |
|---------|---------------|----------------------------------|-------|---------------|----------|-----|-----|-----|
| | | | | | 100 | 120 | 230 | 240 |
| A01 | 302N294030 | PARTS PRIMARY FEED UNIT DECK SP | | | 1 | 1 | 1 | 1 |
| 1 | •302N406170 | GEAR Z28 FEED | | | 1 | 1 | 1 | 1 |
| 2 | •302N406030 | PULLEY FEED | | | 2 | 2 | 2 | 2 |
| 3 | •302N406100 | GEAR Z32 FEED OW | | | 1 | 1 | 1 | 1 |
| 4 | •302N406110 | GEAR Z32 PICKUP | | | 1 | 1 | 1 | 1 |
| 5 | •302F925780 | SPRING DU | | | 6 | 6 | 6 | 6 |
| 6 | •302N406010 | PLATE FRAME UPPER | | | 1 | 1 | 1 | 1 |
| 7 | •302K906510 | SHAFT FEED LOW | | | 2 | 2 | 2 | 2 |
| 8 | •302K906321 | ACTUATOR PAPER EMPTY | | | 1 | 1 | 1 | 1 |
| 9 | •302K906230 | GEAR PRIMARY FEED IDLE Z20R Z16L | | | 1 | 1 | 1 | 1 |
| 10 | •303NJ94050 | PARTS ROLLER ASSIST SP | | | 1 | 1 | 1 | 1 |
| 11 | •302K906240 | GEAR FEED DRIVE Z20L | | | 1 | 1 | 1 | 1 |
| 12 | •5MVX111DN003 | RING STOPPER /A-49 FEED A4 | | | 6 | 6 | 6 | 6 |
| 13 | •303NJ06040 | GEAR PRIMARY FEED Z17L OW | | | 1 | 1 | 1 | 1 |
| 14 | •302K994580 | PARTS SENSOR OPT. SP | | | 1 | 1 | 1 | 1 |
| 15 | •303M894260 | PARTS SENSOR OPT SP | | | 2 | 2 | 2 | 2 |
| 16 | •302N406040 | PULLEY RETARD | | | 1 | 1 | 1 | 1 |
| 17 | •302N406160 | LEVER RETARD LOCK | | | 1 | 1 | 1 | 1 |
| 18 | •302K906420 | PLATE RETARD ADJUST | | | 1 | 1 | 1 | 1 |
| 19 | •302K906032 | PLATE FRAME LOWER | | | 1 | 1 | 1 | 1 |
| 20 | •2FM04150 | CAP SPRING /B-11 ENCLOSURE A4 | | | 6 | 6 | 6 | 6 |
| 21 | •302K906701 | HOLDER PULLEY | | Design-chg. | 1 | 1 | 1 | 1 |
| 22 | •302NH29260 | PULLEY DU LOW | | Part No.-chg. | 5 | 5 | 5 | 5 |
| 23 | •302K906710 | SHAFT ASSIST PULLEY | | | 1 | 1 | 1 | 1 |
| 24 | •302K906151 | HOLDER RETARD | | | 1 | 1 | 1 | 1 |
| 25 | •302K324450 | BUSH 6 | | | 6 | 6 | 6 | 6 |
| 26 | •302K924820 | CUT-WASHER 4 | | | 4 | 4 | 4 | 4 |
| 27 | •34806040 | LOWER BUSHING,PAPER FEED | | | 1 | 1 | 1 | 1 |
| 28 | •302K906750 | TORQUE-LIMITER 390 | | | 1 | 1 | 1 | 1 |
| 29 | •302K906300 | PLATE RETARD HOLDER | | | 1 | 1 | 1 | 1 |
| 30 | •302N406150 | FULCRUM-PIN RETARD | | | 2 | 2 | 2 | 2 |
| 31 | •302N406130 | LEVER RETARD RELEASE | | | 1 | 1 | 1 | 1 |
| 32 | •302N406200 | SPRING RETARD | | | 1 | 1 | 1 | 1 |
| 33 | •302K906721 | SHEET PRIMARY FEED HI | | | 1 | 1 | 1 | 1 |
| 34 | •302K906250 | GUIDE PRIM FEED WIRE | | | 1 | 1 | 1 | 1 |
| 35 | •303NJ46160 | WIRE PRIMARY FEED UNIT | | | 1 | 1 | 1 | 1 |
| 36 | •302N406060 | GUIDE FRONT LOWER | | | 1 | 1 | 1 | 1 |
| 37 | •302N406140 | SPRING RETARD LOCK | | | 1 | 1 | 1 | 1 |
| 38 | •302K906290 | HOLDER SENSOR FEED | | | 1 | 1 | 1 | 1 |
| 39 | •302H708150 | SPONGE WIRE MPT | | | 2 | 2 | 2 | 2 |
| 40 | •302K931080 | WIRE STOPPER | | | 6 | 6 | 6 | 6 |
| 41 | •302N406050 | HOLDER PICKUP | | | 1 | 1 | 1 | 1 |
| 42 | •302K906080 | PIN PICK UP IDLE | | | 1 | 1 | 1 | 1 |
| 43 | •5MVX111DN007 | STOPPER 3 /2BT1107 A4 | | | 1 | 1 | 1 | 1 |
| 44 | •302N406070 | SHAFT PICKUP PRIMARY | | | 1 | 1 | 1 | 1 |
| 45 | •302N406120 | ONEWAY-CLUTCH 6 | | | 1 | 1 | 1 | 1 |
| 46 | •302K906260 | SPRING PICK UP | | | 1 | 1 | 1 | 1 |
| 47 | •302K906111 | PLATE PRIMARY FEED DRIVE | | | 1 | 1 | 1 | 1 |
| 48 | •303NF06350 | SHEET SOLENOID | | | 1 | 1 | 1 | 1 |
| 49 | •302K906270 | MOUNT PRIMARY FEED R | | | 1 | 1 | 1 | 1 |

FIG. 7 Drive Section

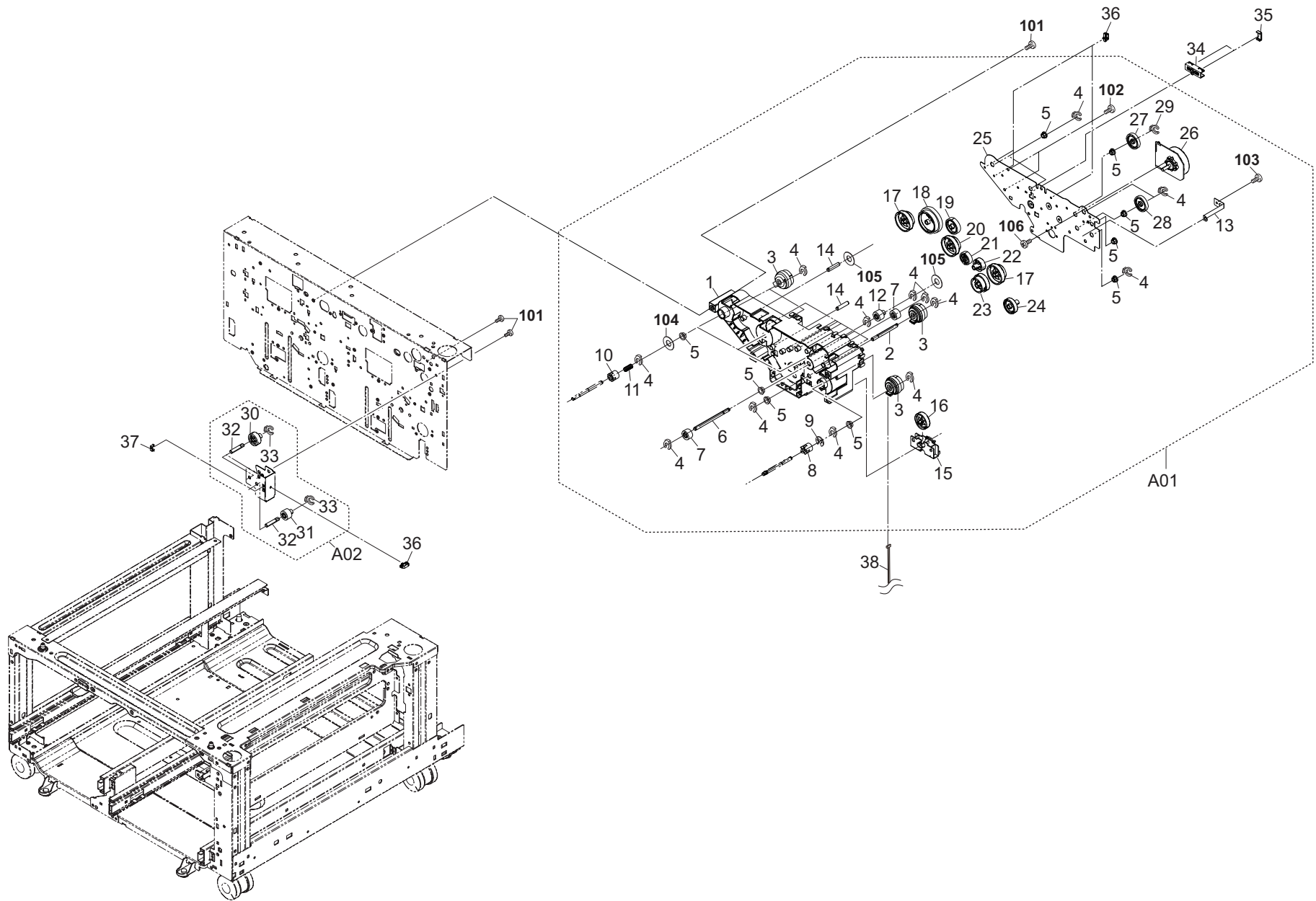


FIG. 7 Drive Section

3NF

| Ref No. | Part.No. | Description | Notes | Revision | Quantity | | | |
|---------|-----------------|-----------------------------------|-------|----------|----------|-----|-----|-----|
| | | | | | 100 | 120 | 230 | 240 |
| A01 | 303NF94044 | PARTS DRIVE UNIT SP | | | 1 | 1 | 1 | 1 |
| 1 | •303NF31011 | HOUSING MAIN DRIVE | | | 1 | 1 | 1 | 1 |
| 2 | •303NF31090 | SHAFT CLUTCH CONVEYING A | | | 1 | 1 | 1 | 1 |
| 3 | •302NH94540 | PARTS CLUTCH 50 Z35R SP | | | 4 | 4 | 4 | 4 |
| 4 | •5MVX111DN003 | RING STOPPER /A-49 FEED A4 | | | 18 | 18 | 18 | 18 |
| 5 | •302H702590 | BUSH SCREW | | | 12 | 12 | 12 | 12 |
| 6 | •303NF31110 | SHAFT FEED DRIVE B | | | 1 | 1 | 1 | 1 |
| 7 | •303NF31080 | GEAR Z20RD | | | 2 | 2 | 2 | 2 |
| 8 | •302K931530 | COUPLING DRIVE | | | 1 | 1 | 1 | 1 |
| 9 | •302K924820 | CUT-WASHER 4 | | | 1 | 1 | 1 | 1 |
| 10 | •303NF31180 | COUPLING DRIVE | | | 3 | 3 | 3 | 3 |
| 11 | •303NF31170 | SPRING DRIVE | | | 3 | 3 | 3 | 3 |
| 12 | •303NF31070 | GEAR Z20R | | | 1 | 1 | 1 | 1 |
| 13 | •303NF31030 | PLATE EARTH FEED | | | 1 | 1 | 1 | 1 |
| 14 | •303NJ31120 | PIN FEED DRIVE | | | 9 | 9 | 9 | 9 |
| 15 | •303NJ31031 | BRACKET GEAR CHANGE | | | 1 | 1 | 1 | 1 |
| 16 | •303NJ31060 | GEAR Z60R | | | 1 | 1 | 1 | 1 |
| 17 | •303NJ31140 | GEAR Z40R-Z34L | | | 2 | 2 | 2 | 2 |
| 18 | •303NF31040 | GEAR Z51L Z60L | | | 1 | 1 | 1 | 1 |
| 19 | •303NF31160 | GEAR Z36R | | | 1 | 1 | 1 | 1 |
| 20 | •303NJ31080 | GEAR Z75L-Z32L | | | 1 | 1 | 1 | 1 |
| 21 | •303NJ31130 | GEAR Z28R | | | 1 | 1 | 1 | 1 |
| 22 | •302JZ31170 | GEAR Z27L MAIN | | | 1 | 1 | 1 | 1 |
| 23 | •303NJ31070 | GEAR Z56L-Z40R | | | 1 | 1 | 1 | 1 |
| 24 | •303NF31150 | GEAR Z34L | | | 1 | 1 | 1 | 1 |
| 25 | •303NF31020 | PLATE DRIVE L | | | 1 | 1 | 1 | 1 |
| 26 | •302K994334 | PARTS MOTOR-BL W30 SP | | | 1 | 1 | 1 | 1 |
| 27 | •303NF31050 | GEAR Z35L | | | 1 | 1 | 1 | 1 |
| 28 | •303NF31060 | GEAR Z35R | | | 1 | 1 | 1 | 1 |
| 29 | •5MVX111DN003 | RING STOPPER /A-49 FEED A4 | | | 1 | 1 | 1 | 1 |
| A02 | 303NF94050 | PARTS DRIVE SUB UNIT SP | | | 1 | 1 | 1 | 1 |
| 30 | •302JZ31170 | GEAR Z27L MAIN | | | 2 | 2 | 2 | 2 |
| 31 | •303NF31070 | GEAR Z20R | | | 1 | 1 | 1 | 1 |
| 32 | •303NF31130 | PIN FEED DRIVE | | | 3 | 3 | 3 | 3 |
| 33 | •5MVX111DN003 | RING STOPPER /A-49 FEED A4 | | | 3 | 3 | 3 | 3 |
| 34 | 302LF39050 | GUIDE WIRE FRONT PWB | | | 1 | 1 | 1 | 1 |
| 35 | 303LL02330 | HOLDER WIRE D | | | 2 | 2 | 2 | 2 |
| 36 | 7YZM610008++H01 | ACCESS.SADDLE | | | 4 | 4 | 4 | 4 |
| 37 | 302K931080 | WIRE STOPPER | | | 1 | 1 | 1 | 1 |
| 38 | 303NF46070 | WIRE CLUTCH | | | 1 | 1 | 1 | 1 |
| 101 | 7BB700410H | +BIND T.T S SCREW 4X10 SR | | | | | | |
| 102 | 7BB200410H | +BIND T.T P SCREW 4X10 | | | | | | |
| 103 | 7BB700308H | +BIND T.T S SCREW 3X8 SR | | | | | | |
| 104 | 7BC06062C020H01 | POLY SLIDER WASHER M6.2X12X0.2T | | | | | | |
| 105 | 5MBWK62955NN | POLY SLIDER /M6.2X9.5X0.5T PLASTC | | | | | | |
| 106 | 7BB000305H | +BIND M SCREW 3X5 | | | | | | |

FIG. 8 Electrical Components

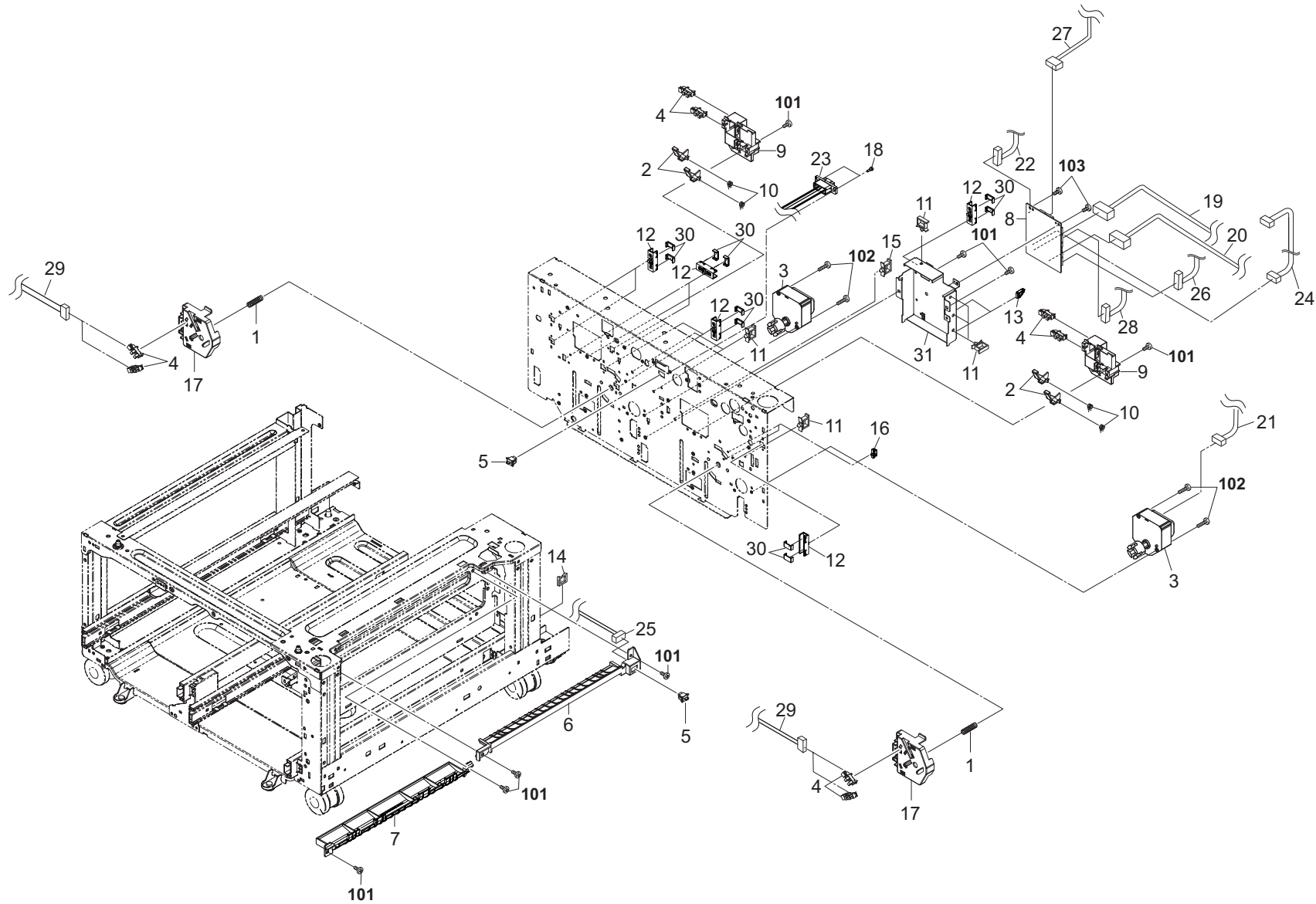


FIG. 8 Electrical Components

3NF

| Ref No. | Part.No. | Description | Notes | Revision | Quantity | | | |
|---------|-----------------|------------------------------|-------|----------|----------|-----|-----|-----|
| | | | | | 100 | 120 | 230 | 240 |
| 1 | 2C902080 | SPRING DEV PUSH | | | 2 | 2 | 2 | 2 |
| 2 | 303NF10230 | ACTUATOR CASSETTE | | | 4 | 4 | 4 | 4 |
| 3 | 303NF94091 | PARTS MOTOR LIFT DECK SP | | | 2 | 2 | 2 | 2 |
| 4 | 303M894260 | PARTS SENSOR OPT SP | | | 8 | 8 | 8 | 8 |
| 5 | 7SP01000006+H01 | SW.PUSH | | | 2 | 2 | 2 | 2 |
| 6 | 303NF06120 | GUIDE LOWER MID | | | 1 | 1 | 1 | 1 |
| 7 | 303NF06110 | GUIDE UPPER MID | | | 1 | 1 | 1 | 1 |
| 8 | 303NF94060 | PARTS PWB FRONT DECK ASSY SP | | | 1 | 1 | 1 | 1 |
| 9 | 303NF10240 | MOUNT ACTUATOR CASSETTE | | | 2 | 2 | 2 | 2 |
| 10 | 302H729120 | SPRING ACT DU | | | 4 | 4 | 4 | 4 |
| 11 | 7YZM610002++H01 | ACCESS SADDLE | | | 7 | 7 | 7 | 7 |
| 12 | 302LF39050 | GUIDE WIRE FRONT PWB | | | 8 | 8 | 8 | 8 |
| 13 | 302K939230 | HOLDER PWB | | | 2 | 2 | 2 | 2 |
| 14 | 7YZM210005++H01 | ACCESS.EDGING | | | 1 | 1 | 1 | 1 |
| 15 | 7YZM610003++H01 | ACCESS SADDLE | | | 1 | 1 | 1 | 1 |
| 16 | 7YZM610008++H01 | ACCESS.SADDLE | | | 2 | 2 | 2 | 2 |
| 17 | 303NF10330 | HOLDER DECK SENSOR | | | 2 | 2 | 2 | 2 |
| 18 | 3CZ02240 | PIN,DRAWER SIDE CONVEYING | | | 2 | 2 | 2 | 2 |
| 19 | 303NF46090 | WIRE LEFT | | | 1 | 1 | 1 | 1 |
| 20 | 303NF46110 | WIRE RIGHT | | | 1 | 1 | 1 | 1 |
| 21 | 303NF46080 | WIRE LIFTMOTOR | | | 1 | 1 | 1 | 1 |
| 22 | 303NF46210 | WIRE RIGHT DECK | | | 1 | 1 | 1 | 1 |
| 23 | 303NF46230 | WIRE LEFT DECK 1 | | | 1 | 1 | 1 | 1 |
| 24 | 303NF46010 | WIRE ENGINE I/F | | | 1 | 1 | 1 | 1 |
| 25 | 303NF46130 | WIRE VERTICAL 1 | | | 1 | 1 | 1 | 1 |
| 26 | 303NF46170 | WIRE MAIN MOTOR | | | 1 | 1 | 1 | 1 |
| 27 | 303NF46060 | WIRE SMT POWER | | | 1 | 1 | 1 | 1 |
| 28 | 303NF46030 | WIRE HEATER | | | 1 | 1 | 1 | 1 |
| 29 | 303NF46100 | WIRE PAPER SENSOR | | | 2 | 2 | 2 | 2 |
| 30 | 303LL02330 | HOLDER WIRE D | | | 16 | 16 | 16 | 16 |
| 31 | 303NF39052 | MOUNT PWB MAIN | | | 1 | 1 | 1 | 1 |
| 101 | 7BB700410H | +BIND T.T S SCREW 4X10 SR | | | | | | |
| 102 | 7BB700330H | +BIND T.T S SCREW 3X30 SR | | | | | | |
| 103 | 7BB700308H | +BIND T.T S SCREW 3X8 SR | | | | | | |

FIG. 9 Accessories & Options

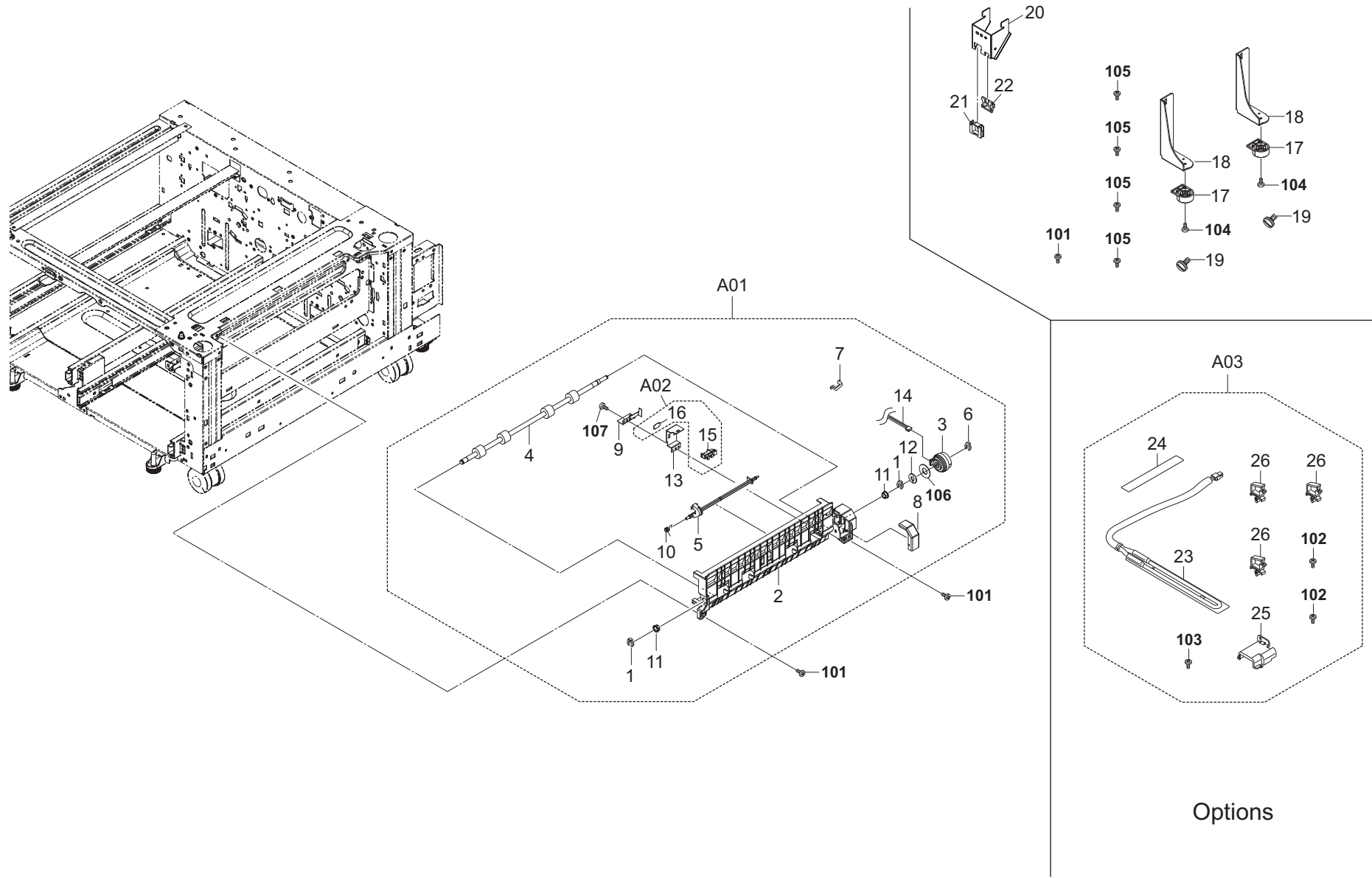


FIG. 9 Accessories & Options

3NF

| Ref No. | Part.No. | Description | Notes | Revision | Quantity | | | |
|---------|------------------|-------------------------------------|-------|----------|----------|-----|-----|-----|
| | | | | | 100 | 120 | 230 | 240 |
| A01 | 303NF94011 | PARTS MIDDLE ROLLER UNIT SP | | | 1 | 1 | 1 | 1 |
| 1 | •2BC06910 | STOPPER 6 | | | 2 | 2 | 2 | 2 |
| 2 | •303NF06090 | GUIDE JUNCTION VF | | | 1 | 1 | 1 | 1 |
| 3 | •302NH94540 | PARTS CLUTCH 50 Z35R SP | | | 1 | 1 | 1 | 1 |
| 4 | •303NF94070 | PARTS ROLLER CONVEYING VF SP | | | 1 | 1 | 1 | 1 |
| 5 | •303NF06210 | ACTUATOR VF SENSOR | | | 1 | 1 | 1 | 1 |
| 6 | •5MVX111DN003 | RING STOPPER /A-49 FEED A4 | | | 1 | 1 | 1 | 1 |
| 7 | •302K931080 | WIRE STOPPER | | | 1 | 1 | 1 | 1 |
| 8 | •303NF06240 | COVER MIDDLE | | | 1 | 1 | 1 | 1 |
| 9 | •303NF06230 | PLATE EARTH VF | | | 1 | 1 | 1 | 1 |
| 10 | •302H729120 | SPRING ACT DU | | | 1 | 1 | 1 | 1 |
| 11 | •28107310 | BUSH 8 | | | 2 | 2 | 2 | 2 |
| 12 | •302K924820 | CUT-WASHER 4 | | | 1 | 1 | 1 | 1 |
| 13 | •303NF06220 | MOUNT SENSOR VF | | | 1 | 1 | 1 | 1 |
| 14 | •303NJ46080 | WIRE VERTICAL 1 | | | 1 | 1 | 1 | 1 |
| A02 | •303NF94080 | PARTS SENSOR OPT. SET SP | | | 1 | 1 | 1 | 1 |
| 15 | ••303M894260 | PARTS SENSOR OPT SP | | | 1 | 1 | 1 | 1 |
| 16 | ••302GR17970 | STOPPER PI | | | 1 | 1 | 1 | 1 |
| 17 | 302FZ02600 | FOOT | | | 2 | 2 | 2 | 2 |
| 18 | 303NF02330 | PLATE FULCRUM | | | 2 | 2 | 2 | 2 |
| 19 | 303NS24410 | SCREW PLATE DF | | | 2 | 2 | 2 | 2 |
| 20 | 303NF02230 | MOUNT MACHINE | | | 1 | 1 | 1 | 1 |
| 21 | 7YZM210005++H01 | ACCESS.EDGING | | | 1 | 1 | 1 | 1 |
| 22 | 7YZM210006++H01 | ACCESS.EDGING | | | 1 | 1 | 1 | 1 |
| A03 | 303NF94120 | PARTS DEHUMIDIFINR 100 SET SP | | | 1 | | | |
| A03 | 303NF94130 | PARTS DEHUMIDIFINR 120 SET SP | | | | 1 | | |
| A03 | 303NF94140 | PARTS DEHUMIDIFINR 240 SET SP | | | | | 1 | 1 |
| 23 | •302H794380 | PARTS CASSETTE HEATER 100 | | | 1 | | | |
| 23 | •302H794620 | PARTS HEATER DEHUMIDIFIER 120 | | | | 1 | | |
| 23 | •302H794610 | PARTS HEATER DEHUMIDIFIER 240 | | | | | 1 | 1 |
| 24 | •302KP34220 | LABEL HIGH TEMPERATURE CAUTION | | | 1 | 1 | 1 | 1 |
| 25 | •303NF04140 | COVER CONNECTOR HEATER | | | 1 | 1 | 1 | 1 |
| 26 | •7YZM610001++H01 | ACCESS SADDLE | | | 3 | 3 | 3 | 3 |
| 101 | 7BB180408H | +BIND T.T S SCREW 4X8(BLACK) | | | | | | |
| 102 | 7BB700308H | +BIND T.T S SCREW 3X8 SR | | | | | | |
| 103 | 7BB700408H | +BIND T.T S SCREW 4X8 SR | | | | | | |
| 104 | 7BB782410H | +TP-FLAT T.T S SCREW 4X10 SR(BLACK) | | | | | | |
| 105 | 7BB780420H | +BIND T.T S SCREW 4X20 SR(BLACK) | | | | | | |
| 106 | 7BC040621250H01 | WASHER 6.2X12X0.5T | | | | | | |
| 107 | 7BB200312H | +BIND T.T P SCREW 3X12 | | | | | | |

PF-7120

[CONFIDENTIAL]

FOR AUTHORIZED KYOCERA ENGINEERS ONLY. DO NOT DISTRIBUTE TO NON-AUTHORIZED PARTIES.

Items listed in the revision columns are defined as follows.

| Item | Description |
|---------------|---|
| Add | Add a new part |
| Del | Delete a part |
| Design-chg. | A design changed part (Parts number version up) |
| Part No.-chg. | A part number is changed to other one. |
| Quantity-chg. | Change Quantity of parts to use |
| Others | Other changes |
| Correction | Correction |

Revision history

| Rev. | Date | Remarks |
|------|----------------|---------------|
| 5 | August 2018 | Design change |
| 6 | October 2018 | Design change |
| 7 | June 2019 | Other changes |
| 8 | September 2019 | Design change |
| 9 | July 2020 | Design change |
| | | |
| | | |

Symbols in the parts list

- Parts without a Ref.No. in the illustration indicate they are not supplied.
- Parts with a Ref.No. of 500 and above in the illustration indicate they are not selected for service parts.
- Parts with "*" are component parts or sub-assemblies of the assembly appearing immediately above them.
- Parts with "**" are component parts or sub-assembly with "*" appearing immediately above them.

[CONFIDENTIAL]

京セラドキュメントソリューションズ株式会社の許可なく、本資料を配布することを禁じます。

Revision 欄記載項目の内容は以下の通りです。

| 記載項目 | 内容 |
|---------------|--------------|
| Add | 新規部品の追加 |
| Del | 部品の削除 |
| Design-chg. | 部品の設変(版数アップ) |
| Part No.-chg. | 部品番号の変更 |
| Quantity-chg. | 部品の個数変更 |
| Others | その他の変更 |
| Correction | 誤記訂正 |

改版履歴

| Rev. | 改訂日 | 備考 |
|------|----------|--------|
| 5 | 2018年8月 | 設変対応 |
| 6 | 2018年10月 | 設変対応 |
| 7 | 2019年6月 | その他の変更 |
| 8 | 2019年9月 | 設変対応 |
| 9 | 2020年7月 | 設変対応 |
| | | |
| | | |

記号の見方

イラスト中で Ref 番号がない部品は供給できません。
 イラスト中で 500 番台の Ref 番号が付いている部品はサービスパーツに
 選定されていません。
 部品番号欄の・印は、組立部品の単品部品及び準組立部品を表わします。
 部品番号欄の**印は、準組立部品の単品部品を表わします。

— CONTENTS —

| | | |
|--------|---|----|
| FIG. 1 | Covers | 2 |
| FIG. 2 | Frames | 4 |
| FIG. 3 | Paper Cassettes | 6 |
| FIG. 4 | Paper Feed Section 1-1 | 8 |
| FIG. 4 | Paper Feed Section 1-2 | 10 |
| FIG. 5 | Drive Section & Electrical Components | 12 |
| FIG. 6 | Wire Section | 14 |
| FIG. 7 | Accessories & Options | 16 |

FIG. 1 Covers

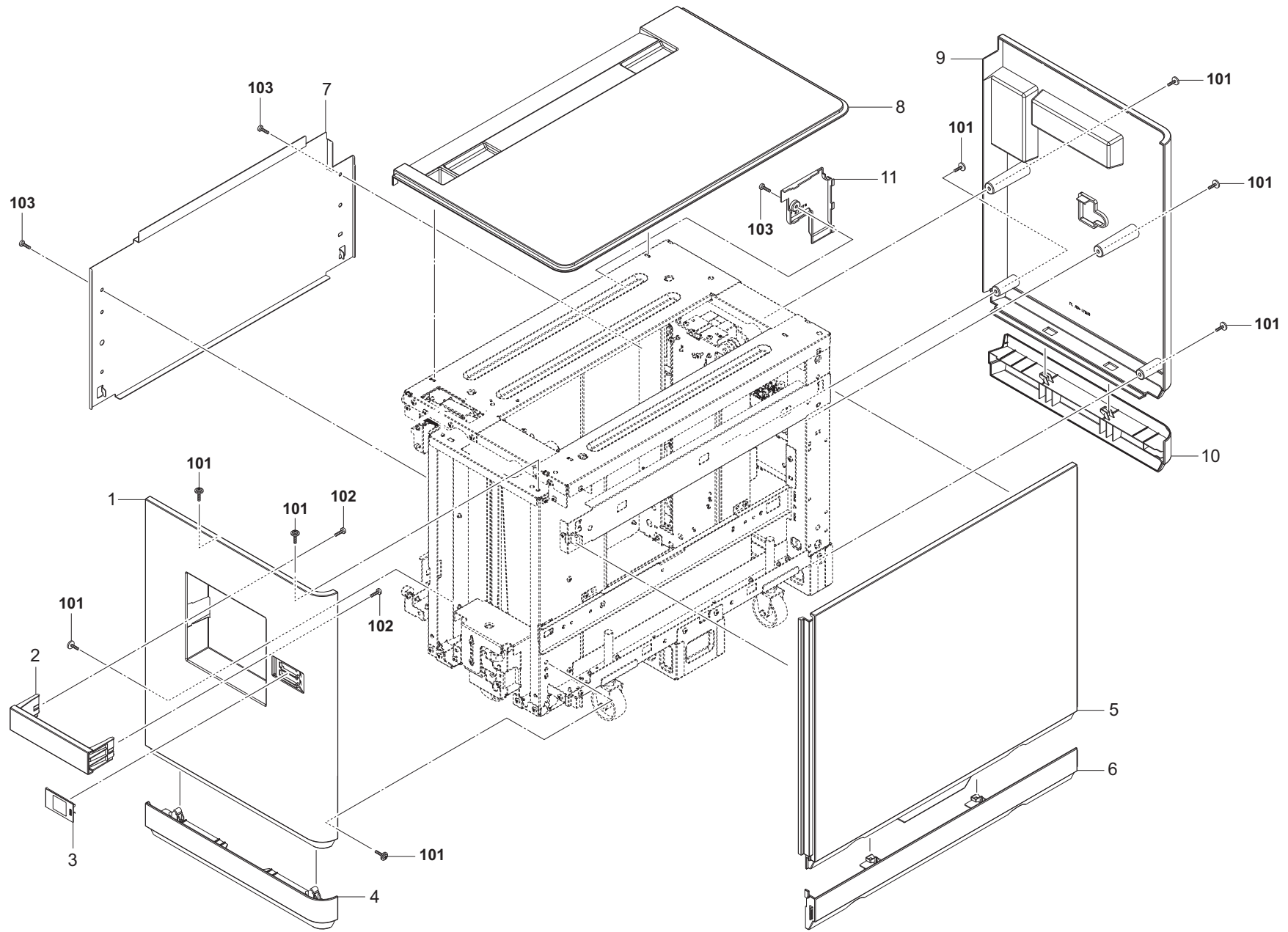


FIG. 2 Frames

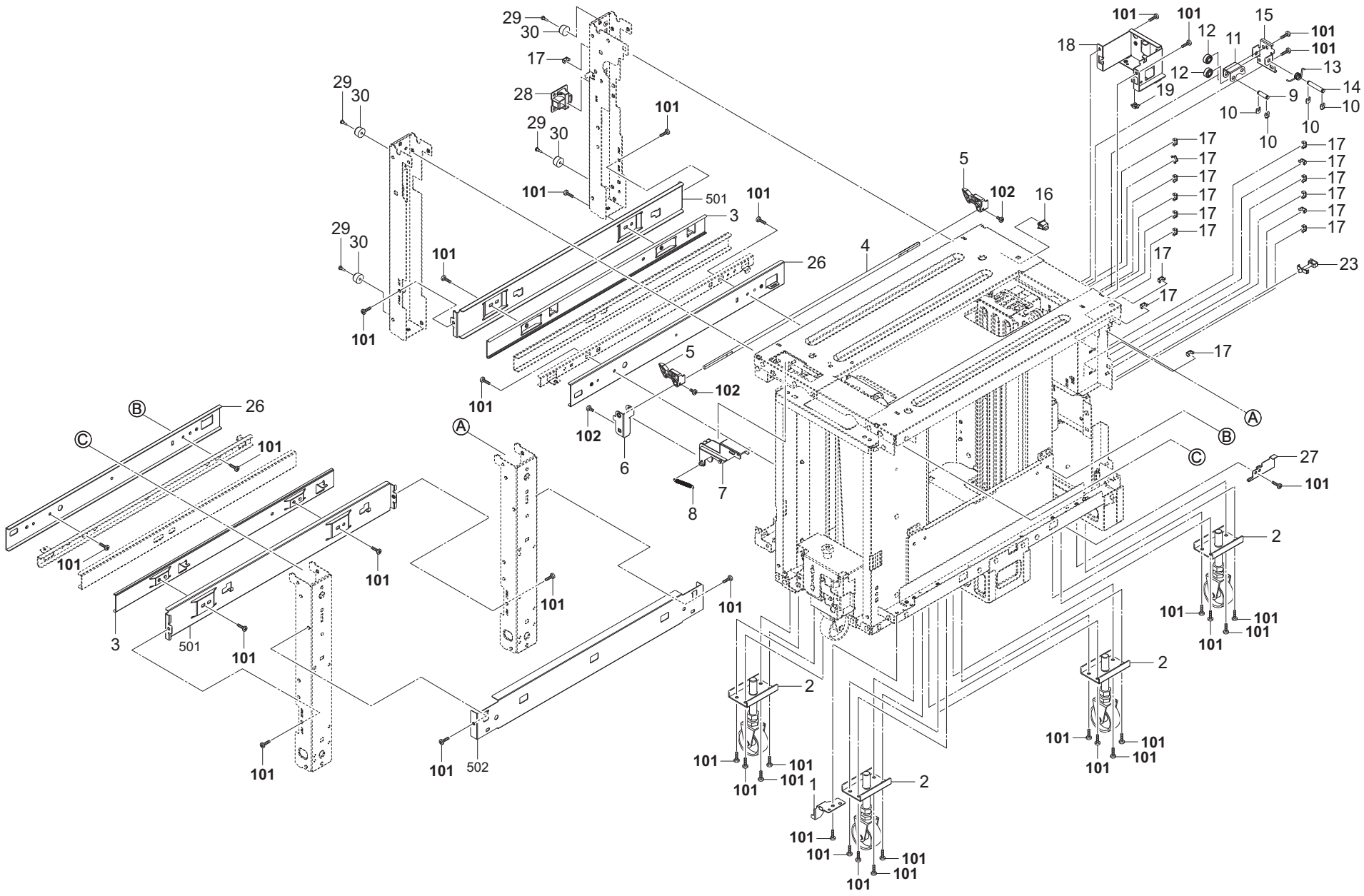


FIG. 2 Frames

3RL

| Ref No. | Part.No. | Description | Notes | Revision | Quantity | | | |
|---------|-----------------|----------------------------|-------|----------|----------|-----|-----|-----|
| | | | | | 100 | 120 | 230 | 240 |
| 1 | 303RL10340 | STOPPER DECK FRONT | | | 1 | 1 | 1 | 1 |
| 2 | 303RL07100 | CASTER DECK B | | | 4 | 4 | 4 | 4 |
| 3 | 303RL09530 | SLIDER CASSETTE | | | 2 | 2 | 2 | 2 |
| 4 | 303RL02290 | SHAFT ATTACHMENT | | | 1 | 1 | 1 | 1 |
| 5 | 303RL02380 | HOOK ATTACHMENT | | | 2 | 2 | 2 | 2 |
| 6 | 303RL02270 | LEVER ATTACHMENT | | | 1 | 1 | 1 | 1 |
| 7 | 303NG02280 | KNOB ATTACHMENT | | | 1 | 1 | 1 | 1 |
| 8 | 302NR08170 | SPRING COVER MPF OPEN | | | 1 | 1 | 1 | 1 |
| 9 | 303NF02290 | SHAFT HOOK PULLEY | | | 1 | 1 | 1 | 1 |
| 10 | 5MVX111DN003 | RING STOPPER /A-49 FEED A4 | | | 4 | 4 | 4 | 4 |
| 11 | 303NF02270 | LEVER DECK HOOK | | | 1 | 1 | 1 | 1 |
| 12 | 302FG07020 | PULLEY,CASSETTE RAIL | | | 2 | 2 | 2 | 2 |
| 13 | 303NF02310 | SPRING DECK HOOK | | | 1 | 1 | 1 | 1 |
| 14 | 303NF02280 | SHAFT HOOK FULCRUM | | | 1 | 1 | 1 | 1 |
| 15 | 303NF02301 | HOLDER DECK HOOK | | | 1 | 1 | 1 | 1 |
| 16 | 7SP01000006+H01 | SW.PUSH | | | 1 | 1 | 1 | 1 |
| 17 | 302K931080 | WIRE STOPPER | | | 16 | 16 | 16 | 16 |
| 18 | 303NG02180 | MOUNT INLET | | | 1 | 1 | 1 | 1 |
| 19 | 7YZM210006++H01 | ACCESS.EDGING | | | 1 | 1 | 1 | 1 |
| 20 | 7YZM420003++H01 | ACCESS.BAND | | | 1 | 1 | 1 | 1 |
| 21 | 7YZM420004++H01 | ACCESS.BAND | | | 1 | 1 | 1 | 1 |
| 22 | 7YZM130002++H01 | ACCESS.BUSHING | | | 1 | 1 | 1 | 1 |
| 23 | 7YZM610022++H01 | ACCESS.SADDLE | | | 1 | 1 | 1 | 1 |
| 26 | 303NG10100 | MOUNT SLIDER DECK | | | 2 | 2 | 2 | 2 |
| 27 | 303RL10330 | STOPPER DECK | | | 1 | 1 | 1 | 1 |
| 28 | 303NG02190 | GUIDE SWITCH | | | 1 | 1 | 1 | 1 |
| 29 | 302HS02540 | PIN DRAWER | | | 4 | 4 | 4 | 4 |
| 30 | 3CG02030 | BASE RUBBER,FRAME | | | 4 | 4 | 4 | 4 |
| 101 | 7BB700408H | +BIND T.T S SCREW 4X8 SR | | | | | | |
| 102 | 7BB000306H | +BIND M SCREW 3X6 | | | | | | |

FIG. 3 Paper Cassettes

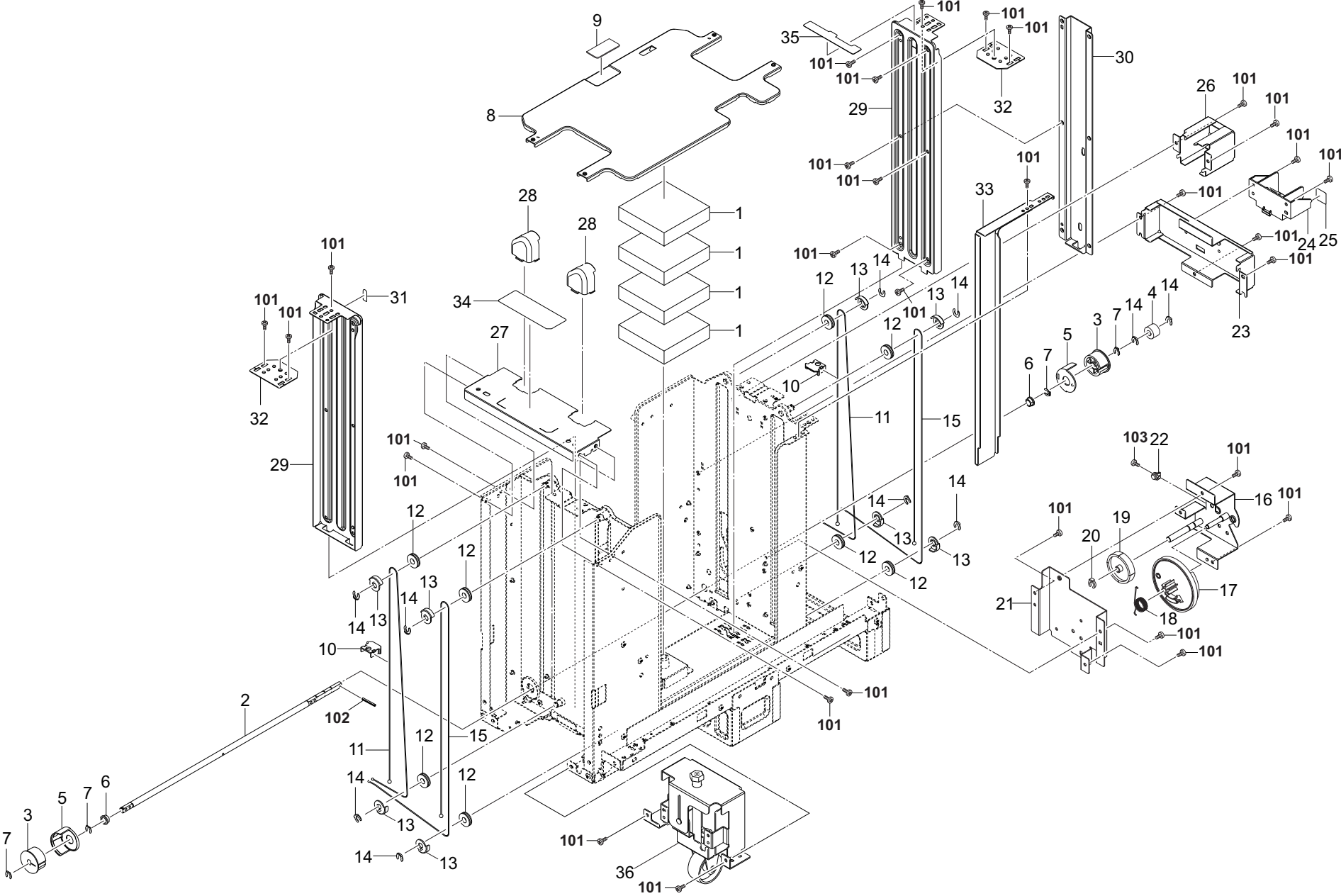


FIG. 4 Paper Feed Section 1-1

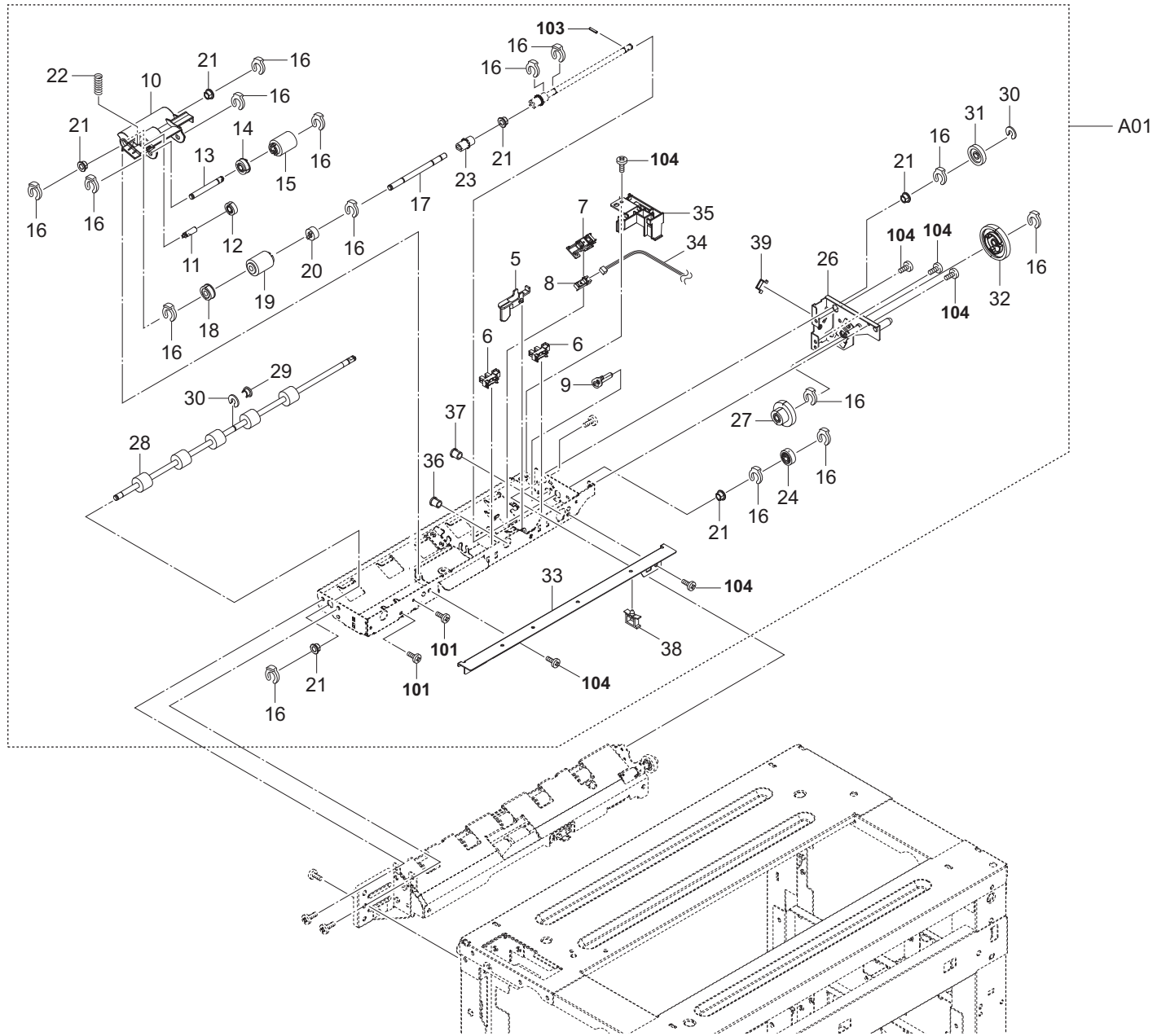


FIG. 4 Paper Feed Section 1-2

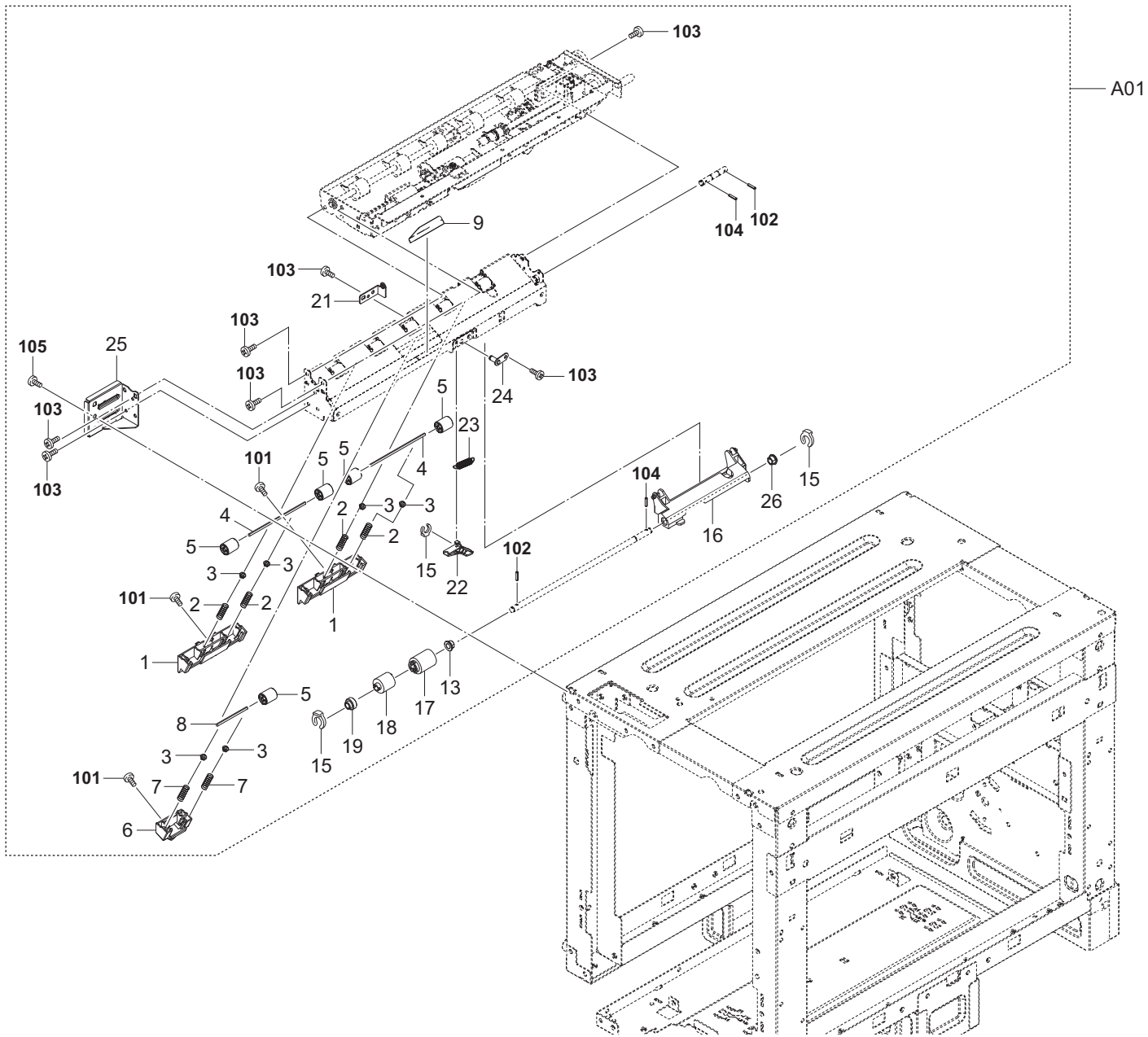


FIG. 4 Paper Feed Section 1-2

3RL

| Ref No. | Part.No. | Description | Notes | Revision | Quantity | | | |
|---------|---------------|----------------------------|-------|----------|----------|-----|-----|-----|
| | | | | | 100 | 120 | 230 | 240 |
| A01 | 303RL94070 | PARTS FEED UNIT SP | | | 1 | 1 | 1 | 1 |
| 1 | +303NG06300 | HOLDER FEED LOW | | | 2 | 2 | 2 | 2 |
| 2 | +302K906730 | SPRING ASSIST | | | 4 | 4 | 4 | 4 |
| 3 | +302ND24290 | CAP SPRING | | | 6 | 6 | 6 | 6 |
| 4 | +302NH06980 | SHAFT FEED LOW | | | 2 | 2 | 2 | 2 |
| 5 | +302F929260 | PULLEY DU LOW | | | 5 | 5 | 5 | 5 |
| 6 | +303NG06350 | HOLDER PULLEY C | | | 1 | 1 | 1 | 1 |
| 7 | +302F708310 | SPRING LOCK MPF | | | 2 | 2 | 2 | 2 |
| 8 | +302NH06990 | SHAFT ASSIST PULLEY | | | 1 | 1 | 1 | 1 |
| 9 | +302K906721 | SHEET PRIMARY FEED HI | | | 1 | 1 | 1 | 1 |
| 13 | +302K324450 | BUSH 6 | | | 1 | 1 | 1 | 1 |
| 15 | +5MVX111DN003 | RING STOPPER /A-49 FEED A4 | | | 3 | 3 | 3 | 3 |
| 16 | +303RL06020 | HOLDER RETARD | | | 1 | 1 | 1 | 1 |
| 17 | +302K906360 | PULLEY RETARD | | | 1 | 1 | 1 | 1 |
| 18 | +302K906750 | TORQUE-LIMITER 390 | | | 1 | 1 | 1 | 1 |
| 19 | +303NG06320 | STOPPER RETARD | | | 1 | 1 | 1 | 1 |
| 21 | +303RL06030 | PLATE RETARD HOLDER | | | 1 | 1 | 1 | 1 |
| 22 | +303NG06220 | LEVER RETARD RELEASE | | | 1 | 1 | 1 | 1 |
| 23 | +302NH06100 | SPRING RETARD | | | 1 | 1 | 1 | 1 |
| 24 | +302K906330 | FULCRUM-PIN RETARD | | | 1 | 1 | 1 | 1 |
| 25 | +303NG06230 | MOUNT FEED FRONT | | | 1 | 1 | 1 | 1 |
| 26 | +34806040 | LOWER BUSHING,PAPER FEED | | | 1 | 1 | 1 | 1 |
| 101 | 7BB200308H | +BIND T.T P SCREW 3X8 | | | | | | |
| 102 | E5120100 | PARALLEL PIN H7A 2X10 SUS | | | | | | |
| 103 | 7BB700308H | +BIND T.T S SCREW 3X8 SR | | | | | | |
| 104 | 5MBP2012WXSP | SPRING PIN / M2 X 12 S-BLK | | | | | | |
| 105 | 7BB700408H | +BIND T.T S SCREW 4X8 SR | | | | | | |

FIG. 5 Drive Section & Electrical Components

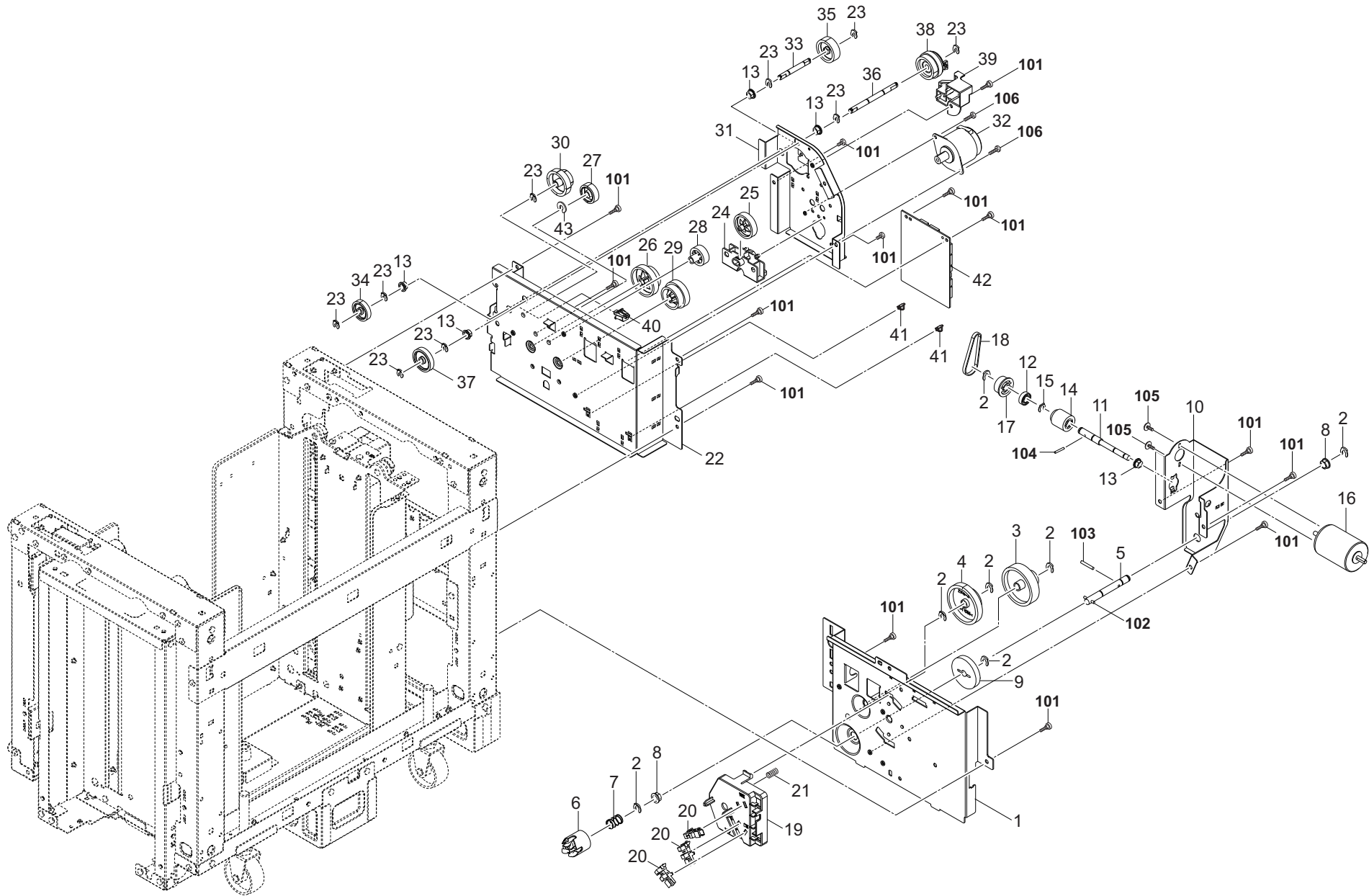


FIG. 5 Drive Section & Electrical Components

3RL-9

| Ref No. | Part.No. | Description | Notes | Revision | Quantity | | | |
|---------|-----------------|-----------------------------|-------|-------------|----------|-----|-----|-----|
| | | | | | 100 | 120 | 230 | 240 |
| 1 | 303RL31050 | MOUNT LIFT DRIVE | | | 1 | 1 | 1 | 1 |
| 2 | 2BC06910 | STOPPER 6 | | | 7 | 7 | 7 | 7 |
| 3 | 3AK20080 | GEAR 18/50 | | | 1 | 1 | 1 | 1 |
| 4 | 303NG31070 | GEAR LIFT 19 51 | | | 1 | 1 | 1 | 1 |
| 5 | 303NG31060 | SHAFT LIFT DRIVE | | | 1 | 1 | 1 | 1 |
| 6 | 303NG31020 | JOINT LIFT | | | 1 | 1 | 1 | 1 |
| 7 | 303NG31030 | SPRING JOINT | | | 1 | 1 | 1 | 1 |
| 8 | 28107310 | BUSH 8 | | | 2 | 2 | 2 | 2 |
| 9 | 3B820120 | GEAR 26,LIFT | | | 1 | 1 | 1 | 1 |
| 10 | 303RL31090 | MOUNT LIFT MOTOR | | | 1 | 1 | 1 | 1 |
| 11 | 303NG31140 | SHAFT LIFT MOTOR | | | 1 | 1 | 1 | 1 |
| 12 | 7BE008165431H11 | BEARING 688ZZ | | | 1 | 1 | 1 | 1 |
| 13 | 302K324450 | BUSH 6 | | | 5 | 5 | 5 | 5 |
| 14 | 3AK20130 | GEAR,WORM MAIN TRAY | | | 1 | 1 | 1 | 1 |
| 15 | 302K925140 | STOPPER 6 | | | 1 | 1 | 1 | 1 |
| 16 | 303H327510 | MOTOR,MAIN TRAY | | | 1 | 1 | 1 | 1 |
| 17 | 3CG22060 | PULLEY 34,CONVEYING | | | 1 | 1 | 1 | 1 |
| 18 | 303H321090 | BELT MAIN TRAY MOTOR | | | 1 | 1 | 1 | 1 |
| 19 | 303NF10330 | HOLDER DECK SENSOR | | | 1 | 1 | 1 | 1 |
| 20 | 303M894260 | PARTS SENSOR OPT SP | | | 3 | 3 | 3 | 3 |
| 21 | 2C902080 | SPRING DEV PUSH | | | 1 | 1 | 1 | 1 |
| 22 | 303RL31031 | MOUNT FEED DRIVE | | | 1 | 1 | 1 | 1 |
| 23 | 5MVX111DN003 | RING STOPPER /A-49 FEED A4 | | Design-chg. | 9 | 9 | 9 | 9 |
| 24 | 303RL31071 | BRACKET GEAR CHANGE | | | 1 | 1 | 1 | 1 |
| 25 | 303NJ31060 | GEAR Z60R | | | 1 | 1 | 1 | 1 |
| 26 | 303NJ31080 | GEAR Z75L-Z32L | | | 1 | 1 | 1 | 1 |
| 27 | 303NJ31130 | GEAR Z28R | | | 1 | 1 | 1 | 1 |
| 28 | 302JZ31170 | GEAR Z27L MAIN | | | 1 | 1 | 1 | 1 |
| 29 | 303NJ31070 | GEAR Z56L-Z40R | | | 1 | 1 | 1 | 1 |
| 30 | 303RL31010 | GEAR Z39L-Z25L | | | 1 | 1 | 1 | 1 |
| 31 | 303RL31120 | PLATE FEED DRIVE | | | 1 | 1 | 1 | 1 |
| 32 | 303RL94030 | PARTS MOTOR-BL INNER W20 SP | | | 1 | 1 | 1 | 1 |
| 33 | 303RL31080 | SHAFT FEED | | | 1 | 1 | 1 | 1 |
| 34 | 303NG31160 | GEAR Z30L | | | 1 | 1 | 1 | 1 |
| 35 | 303RL31020 | GEAR Z35R | | | 1 | 1 | 1 | 1 |
| 36 | 303NG31080 | SHAFT CLUTCH CONVEYING A | | | 1 | 1 | 1 | 1 |
| 37 | 303NF31050 | GEAR Z35L | | | 1 | 1 | 1 | 1 |
| 38 | 302KV94520 | PARTS CLUTCH 50 Z35R SP | | | 1 | 1 | 1 | 1 |
| 39 | 303NG31130 | HOLDER CLUTCH | | | 1 | 1 | 1 | 1 |
| 40 | 7SP01000007+H01 | SW.PUSH | | | 1 | 1 | 1 | 1 |
| 41 | 302K939230 | HOLDER PWB | | | 2 | 2 | 2 | 2 |
| 42 | 303RL94020 | PARTS PWB SIDE DECK ASSY SP | | | 1 | 1 | 1 | 1 |
| 43 | 303RL31130 | CUT-WASHER 4 | | Add | 1 | 1 | 1 | 1 |
| 101 | 7BB700408H | +BIND T.T S SCREW 4X8 SR | | | | | | |
| 102 | E0030200 | SPRING PIN 3X20 | | | | | | |
| 103 | E5125200 | PARALLEL PIN H7A 2.5X20 SUS | | | | | | |
| 104 | E5120100 | PARALLEL PIN H7A 2X10 SUS | | | | | | |
| 105 | 7BB007306H | +TP-CUP M SCREW 3X6 | | | | | | |
| 106 | 7BB700308H | +BIND T.T S SCREW 3X8 SR | | | | | | |

FIG. 6 Wire Section

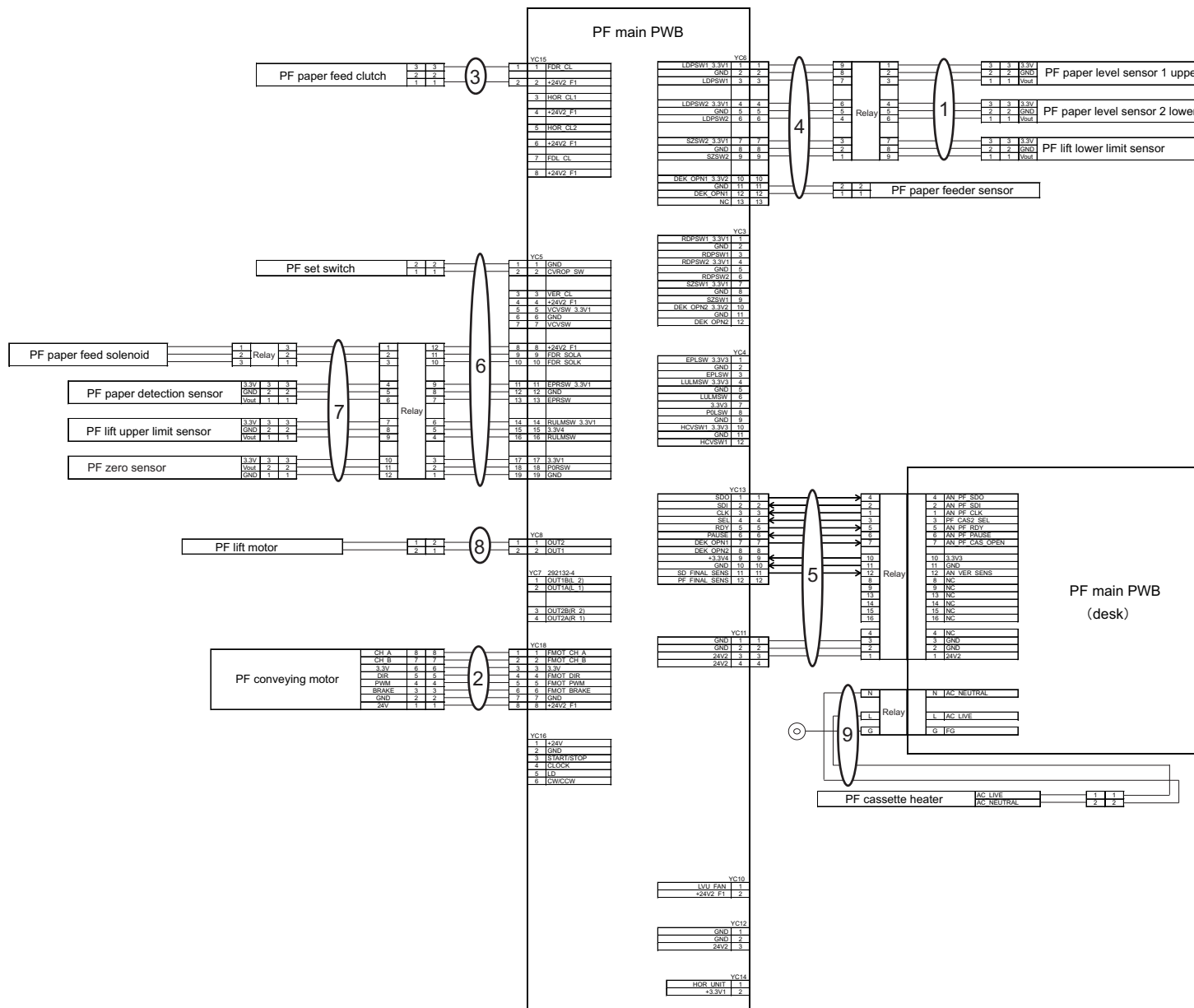
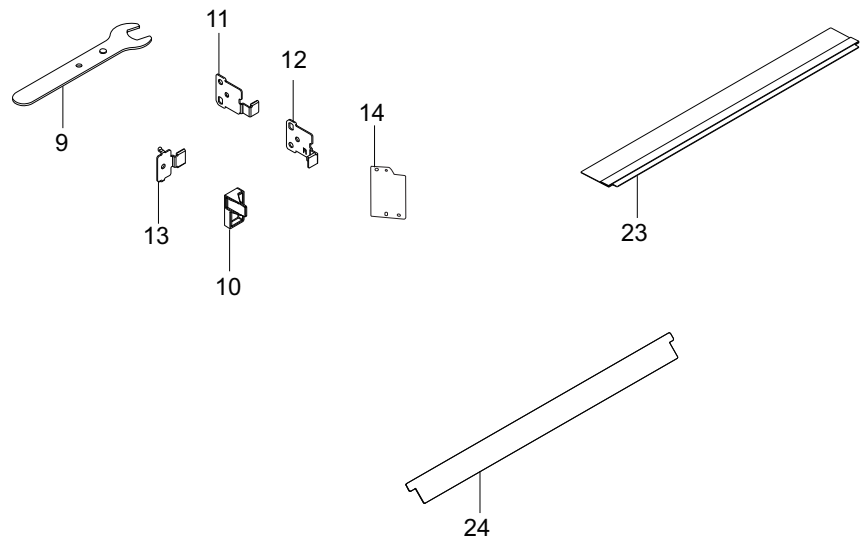
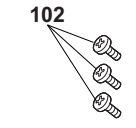
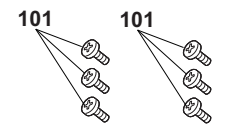
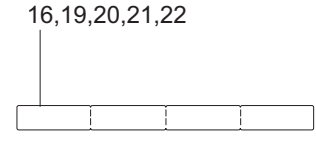
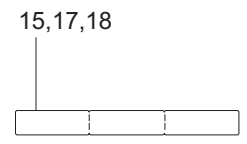
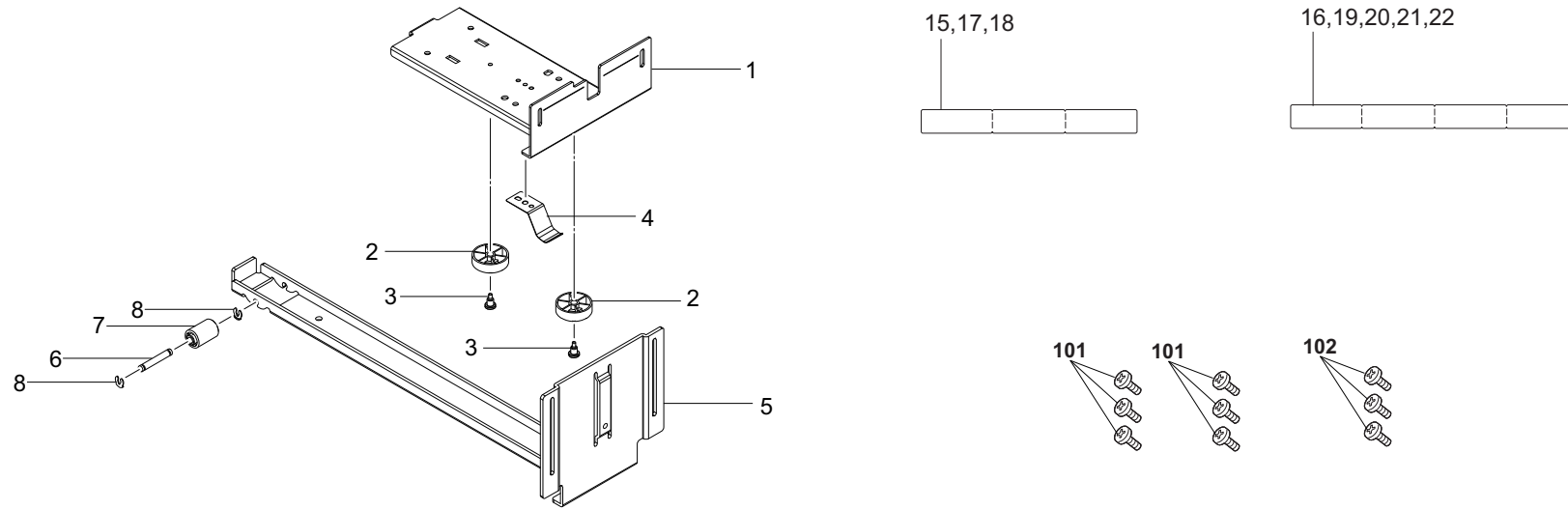


FIG. 7 Accessories & Options



Options

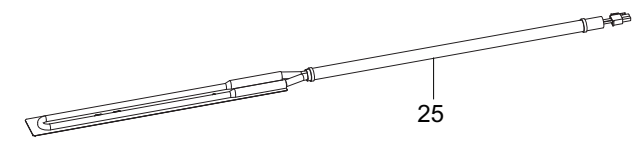


FIG. 7 Accessories & Options

3RL

| Ref No. | Part.No. | Description | Notes | Revision | Quantity | | | |
|---------|--------------|-------------------------------|-------|----------|----------|-----|-----|-----|
| | | | | | 100 | 120 | 230 | 240 |
| 1 | 303NG02502 | MOUNT RAIL | | | 1 | 1 | 1 | 1 |
| 2 | 303NG02540 | PULLEY SLIDER | | | 2 | 2 | 2 | 2 |
| 3 | 3CG02041 | PIN,RELEASE LEVER | | | 2 | 2 | 2 | 2 |
| 4 | 303JY02400 | PLATE EARTH RAIL | | | 1 | 1 | 1 | 1 |
| 5 | 303RL03080 | BASE SLIDER | | | 1 | 1 | 1 | 1 |
| 6 | 303JY02270 | SHAFT SLIDER | | | 1 | 1 | 1 | 1 |
| 7 | 303LT03090 | PULLEY SLIDER S | | | 1 | 1 | 1 | 1 |
| 8 | 5MVX111DN003 | RING STOPPER /A-49 FEED A4 | | | 2 | 2 | 2 | 2 |
| 9 | 303LT03130 | SPANNER | | | 1 | 1 | 1 | 1 |
| 10 | 303RL02530 | LEVER SWITCH | | | 1 | 1 | 1 | 1 |
| 11 | 303RL02551 | PLATE LOCK M FRONT | | | 1 | 1 | 1 | 1 |
| 12 | 303RL02541 | PLATE LOCK M REAR | | | 1 | 1 | 1 | 1 |
| 13 | 303RL02560 | PLATE LOCK | | | 2 | 2 | 2 | 2 |
| 14 | 303NG02550 | PLATE COVER | | | 1 | 1 | 1 | 1 |
| 15 | 302ND34170 | SHEET PAPER SIZE M JP | | | 1 | | | |
| 16 | 302ND34130 | SHEET PAPER SIZE M B | | | 1 | | 1 | 1 |
| 17 | 303RC34020 | SHEET PAPER SIZE I C | | | | 1 | 1 | 1 |
| 18 | 302ND34180 | SHEET PAPER MEDIA EN | | | | 1 | 1 | 1 |
| 19 | 302ND34370 | SHEET PAPER MEDIA GER ITA | | | | | 1 | 1 |
| 20 | 302ND34380 | SHEET PAPER MEDIA FRA SPA | | | | 1 | 1 | 1 |
| 21 | 302ND34390 | SHEET PAPER MEDIA PTB | | | | 1 | 1 | 1 |
| 22 | 302ND34400 | SHEET PAPER MEDIA DUT RUS | | | | | 1 | 1 |
| 23 | 303NG06370 | FILM GUIDE | | | 1 | 1 | 1 | 1 |
| 24 | 303RL06370 | FILM GUIDE A | | | 1 | 1 | 1 | 1 |
| 25 | 303RL94040 | PARTS DEHUMIDIFINR 100 SET SP | | | 1 | | | |
| 25 | 303RL94050 | PARTS DEHUMIDIFINR 120 SET SP | | | | 1 | | |
| 25 | 303RL94060 | PARTS DEHUMIDIFINR 240 SET SP | | | | | 1 | 1 |
| 101 | 7BB700408H | +BIND T.T S SCREW 4X8 SR | | | | | | |
| 102 | 7BB200408H | +BIND T.T P SCREW 4X8 | | | | | | |

PF-7130

[CONFIDENTIAL]

FOR AUTHORIZED KYOCERA ENGINEERS ONLY. DO NOT DISTRIBUTE TO NON-AUTHORIZED PARTIES.

Items listed in the revision columns are defined as follows.

| Item | Description |
|---------------|---|
| Add | Add a new part |
| Del | Delete a part |
| Design-chg. | A design changed part (Parts number version up) |
| Part No.-chg. | A part number is changed to other one. |
| Quantity-chg. | Change Quantity of parts to use |
| Others | Other changes |
| Correction | Correction |

Revision history

| Rev. | Date | Remarks |
|------|---------------|---------------|
| 3 | December 2018 | Design change |
| 4 | July 2019 | Other changes |
| 5 | March 2020 | Design change |
| | | |
| | | |
| | | |

Symbols in the parts list

- Parts without a Ref.No. in the illustration indicate they are not supplied.
- Parts with "*" are component parts or sub-assemblies of the assembly appearing immediately above them.
- Parts with "**" are component parts or sub-assembly with "*" appearing immediately above them.

[CONFIDENTIAL]

京セラドキュメントソリューションズ株式会社の許可なく、本資料を配布することを禁じます。

改訂欄記載項目の内容は以下の通りです。

| 記載項目 | 内容 |
|---------------|--------------|
| Add | 新規部品の追加 |
| Del | 部品の削除 |
| Design-chg. | 部品の設変(版数アップ) |
| Part No.-chg. | 部品番号の変更 |
| Quantity-chg. | 部品の個数変更 |
| Others | その他の変更 |
| Correction | 誤記訂正 |

改訂履歴

| Rev. | 改訂日 | 備考 |
|------|----------|--------|
| 3 | 2018年12月 | 設変対応 |
| 4 | 2019年7月 | その他の変更 |
| 5 | 2020年3月 | 設変対応 |
| | | |
| | | |
| | | |

記号の見方

- イラスト中で Ref 番号がない部品は供給できません。
- 部品番号欄の・印は、組立部品の単品部品及び準組立部品を表わします。
- 部品番号欄の**印は、準組立部品の単品部品を表わします。

—— CONTENTS / 目次 ——

| | | |
|--------|------------------------------|----|
| FIG. 1 | Covers | 2 |
| FIG. 2 | Paper Cassette Section | 4 |
| FIG. 3 | Paper Feed Section | 7 |
| FIG. 4 | Drive Section | 10 |
| FIG. 5 | Exit Section | 13 |
| FIG. 6 | Electrical Component | 15 |
| FIG. 7 | Accessories 1 | 18 |
| FIG. 8 | Accessories 2 | 20 |

FIG. 1 Covers

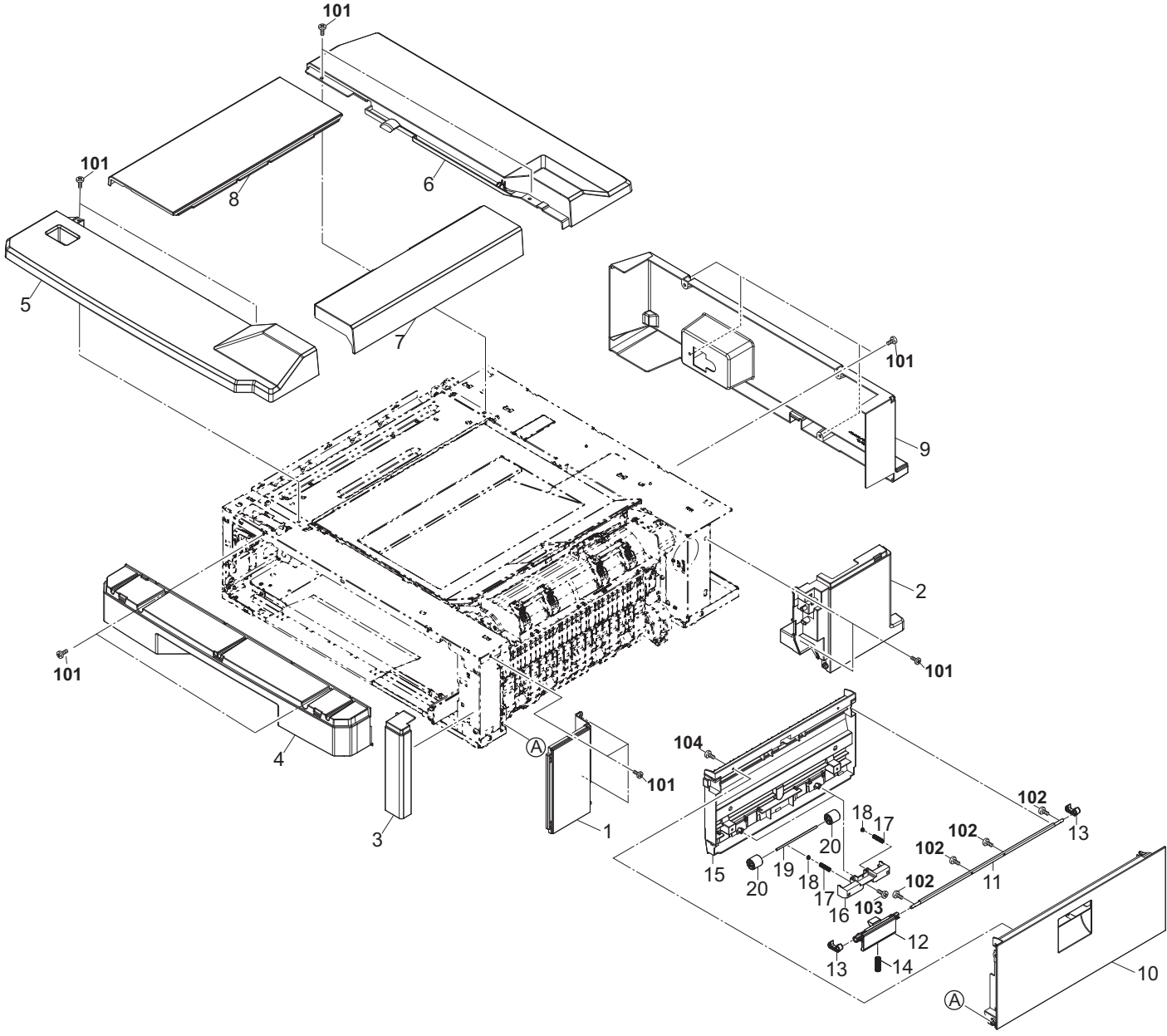


FIG. 1 Covers

3S0

| Ref. No. 番号 | Part.No. 部品番号 | Description 部品名称 | Notes 備考 | Revision 改訂 | Quantity 個数 | | | |
|----------------|------------------|---------------------------------|-------------|----------------|----------------|-----|-----|-----|
| | | | | | 100(日本) | 120 | 230 | 240 |
| 1 | 303NL04091 | COVER RIGHT F | | | 1 | 1 | 1 | 1 |
| 2 | 303NL04031 | COVER RIGHT R | | | 1 | 1 | 1 | 1 |
| 3 | 303NL04021 | COVER FRONT R | | | 1 | 1 | 1 | 1 |
| 4 | 303NL04040 | COVER FRONT UP | | | 1 | 1 | 1 | 1 |
| 5 | 303NL04010 | COVER TOP F | | | 1 | 1 | 1 | 1 |
| 6 | 303NL04110 | COVER TOP R | | | 1 | 1 | 1 | 1 |
| 7 | 303NL04130 | COVER UP R | | | 1 | 1 | 1 | 1 |
| 8 | 303NL04120 | COVER TOP L | | | 1 | 1 | 1 | 1 |
| 9 | 303NL04050 | COVER REAR | | | 1 | 1 | 1 | 1 |
| 10 | 303NL04080 | COVER FEED RIGHT | | | 1 | 1 | 1 | 1 |
| 11 | 302K906681 | SHAFT FEED LOW HOOK | | | 1 | 1 | 1 | 1 |
| 12 | 302K906660 | HANDLE FEED LOW | | | 1 | 1 | 1 | 1 |
| 13 | 302K906670 | HOOK FEED LOW | | | 2 | 2 | 2 | 2 |
| 14 | 302FZ20021 | SPRING LID | | | 1 | 1 | 1 | 1 |
| 15 | 303NL06370 | GUIDE FEED R | | | 1 | 1 | 1 | 1 |
| 16 | 302K906640 | HOLDER FEED LOW PULLEY | | | 2 | 2 | 2 | 2 |
| 17 | 2DC12170 | SPRING TENSION | | | 4 | 4 | 4 | 4 |
| 18 | 302ND24290 | CAP SPRING | | | 4 | 4 | 4 | 4 |
| 19 | 302NH06980 | SHAFT FEED LOW | | | 2 | 2 | 2 | 2 |
| 20 | 302H722760 | PULLEY MIDDLE A | | | 4 | 4 | 4 | 4 |
| 101 | 7BB180408H | +BIND T.T S SCREW 4X8(BLACK) | | | | | | |
| 102 | 7BB600306H | +BIND M SCREW 3X6 R | | | | | | |
| 103 | 7BB200308H | +BIND T.T P SCREW 3X8 | | | | | | |
| 104 | 7BB282308H | +TP-FLAT T.T P SCREW 3X8(BLACK) | | | | | | |

FIG. 2 Paper Cassette Section

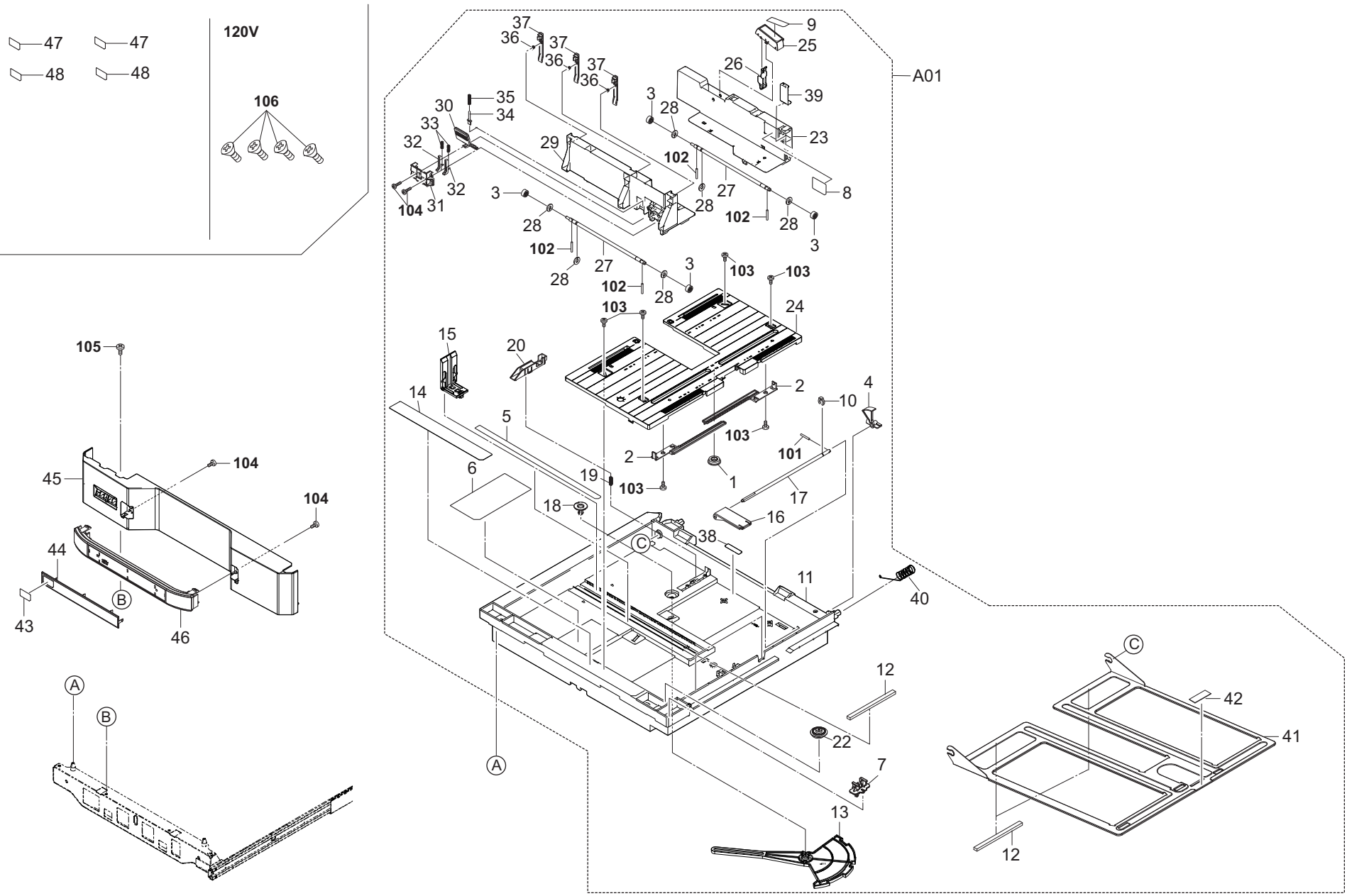


FIG. 2 Paper Cassette Section

3S0

| Ref. No. 番号 | Part.No. 部品番号 | Description 部品名称 | Notes 備考 | Revision 改訂 | Quantity 個数 | | | |
|----------------|------------------|--------------------------------|-------------|----------------|----------------|-----|-----|-----|
| | | | | | 100(日本) | 120 | 230 | 240 |
| A01 | 303S093011 | CT-8721 | | | 1 | 1 | 1 | 1 |
| 1 | *302BM07410 | GEAR GUIDE SIDE | | | 1 | 1 | 1 | 1 |
| 2 | *302K909060 | RACK CURSOR | | | 2 | 2 | 2 | 2 |
| 3 | *302K994550 | PARTS GEAR CURSOR SP | | | 4 | 4 | 4 | 4 |
| 4 | *302K909270 | ACTUATOR PAPER LEVEL DETECTION | | | 1 | 1 | 1 | 1 |
| 5 | *302K934011 | LABEL PAPER SIZE A | | | 1 | 1 | 1 | 1 |
| 6 | *302K934021 | LABEL PAPER SIZE B | | | 1 | 1 | 1 | 1 |
| 7 | *302GR09991 | LIFT LOCK | | | 1 | 1 | 1 | 1 |
| 8 | *302NH34730 | LABEL CASSETTE PAPER MAX | | | 1 | 1 | 1 | 1 |
| 9 | *302K934100 | LABEL CASSETTE CURSOR LOCK | | | 1 | 1 | 1 | 1 |
| 10 | *5MVX111DN003 | RING STOPPER /A-49 FEED A4 | | | 1 | 1 | 1 | 1 |
| 11 | *302N209011 | CASSETTE BASE | | | 1 | 1 | 1 | 1 |
| 12 | *302N209050 | CUSHION BOTTOM PLATE | | | 4 | 4 | 4 | 4 |
| 13 | *302N209030 | ARM SIZE DETECTION | | | 1 | 1 | 1 | 1 |
| 14 | *303S034050 | LABEL CASSETTE OPERATION | | | 1 | 1 | 1 | 1 |
| 15 | *302N209020 | CURSOR END | | | 1 | 1 | 1 | 1 |
| 16 | *302K909090 | PLATE WORK | | | 1 | 1 | 1 | 1 |
| 17 | *302K909190 | SHAFT WORK PLATE | | | 1 | 1 | 1 | 1 |
| 18 | *302K909140 | CAP TURN PLATE | | | 1 | 1 | 1 | 1 |
| 19 | *302H728100 | SPRING EXIT PULLEY | | | 1 | 1 | 1 | 1 |
| 20 | *302K909251 | LEVER SIDE SW | | | 1 | 1 | 1 | 1 |
| 21 | * | | | | | | | |
| 22 | *302NH09100 | CAM CURSOR RAIL | | | 1 | 1 | 1 | 1 |
| 23 | *302NH09040 | CURSOR REAR | | | 1 | 1 | 1 | 1 |
| 24 | *302NH09020 | RAIL CURSOR | | | 1 | 1 | 1 | 1 |
| 25 | *302K909121 | LEVER CURSOR LOCK REAR | | | 1 | 1 | 1 | 1 |
| 26 | *302NH09150 | LOCK REAR CURSOR | | | 1 | 1 | 1 | 1 |
| 27 | *302NH09130 | SHAFT CURSOR GEAR | | | 2 | 2 | 2 | 2 |
| 28 | *302K924820 | CUT-WASHER 4 | | | 6 | 6 | 6 | 6 |
| 29 | *302NH09030 | CURSOR FRONT | | | 1 | 1 | 1 | 1 |
| 30 | *302ND09060 | LEVER CURSOR F | | | 1 | 1 | 1 | 1 |
| 31 | *302ND09050 | COVER CURSOR F | | | 1 | 1 | 1 | 1 |
| 32 | *302ND09080 | RACK CURSOR F | | | 2 | 2 | 2 | 2 |
| 33 | *302ND09070 | SPRING RELEASE CURSOR | | | 2 | 2 | 2 | 2 |
| 34 | *302HN09240 | SIZE FIX | | | 1 | 1 | 1 | 1 |
| 35 | *302HN09190 | SPRING FIX | | | 1 | 1 | 1 | 1 |
| 36 | *302ND09130 | LEVER CURSOR SET | | | 3 | 3 | 3 | 3 |
| 37 | *302NT09060 | SPRING CURSOR SET | | | 3 | 3 | 3 | 3 |
| 38 | *302KS61240 | SPACER LCD A | | | 1 | 1 | 1 | 1 |
| 39 | *302NH09360 | PLATE CURSOR | | | 1 | 1 | 1 | 1 |
| 40 | *302N209040 | SPRING CASSETTE EARTH | | | 1 | 1 | 1 | 1 |
| 41 | *302K909082 | PLATE PAPER BOTTOM | | | 1 | 1 | 1 | 1 |
| 42 | *302K909261 | PAD BOTTOM | | | 1 | 1 | 1 | 1 |
| 43 | 303S034010 | LABEL CASSETTE NUMBER 5 | | | 1 | 1 | 1 | 1 |
| 44 | 303S004010 | EMBLEM CASSETTE | | | 1 | 1 | 1 | 1 |
| 45 | 302N404211 | COVER CASSETTE B | | | 1 | 1 | 1 | 1 |
| 46 | 302LC04380 | HANDLE CASSETTE | | | 1 | 1 | 1 | 1 |
| 47 | 303S034020 | LABEL CASSETTE NUMBER 6 | | | 1 | 1 | 1 | 1 |
| 48 | 303S034030 | LABEL CASSETTE NUMBER 7 | | | 1 | 1 | 1 | 1 |

FIG. 3 Paper Feed Section

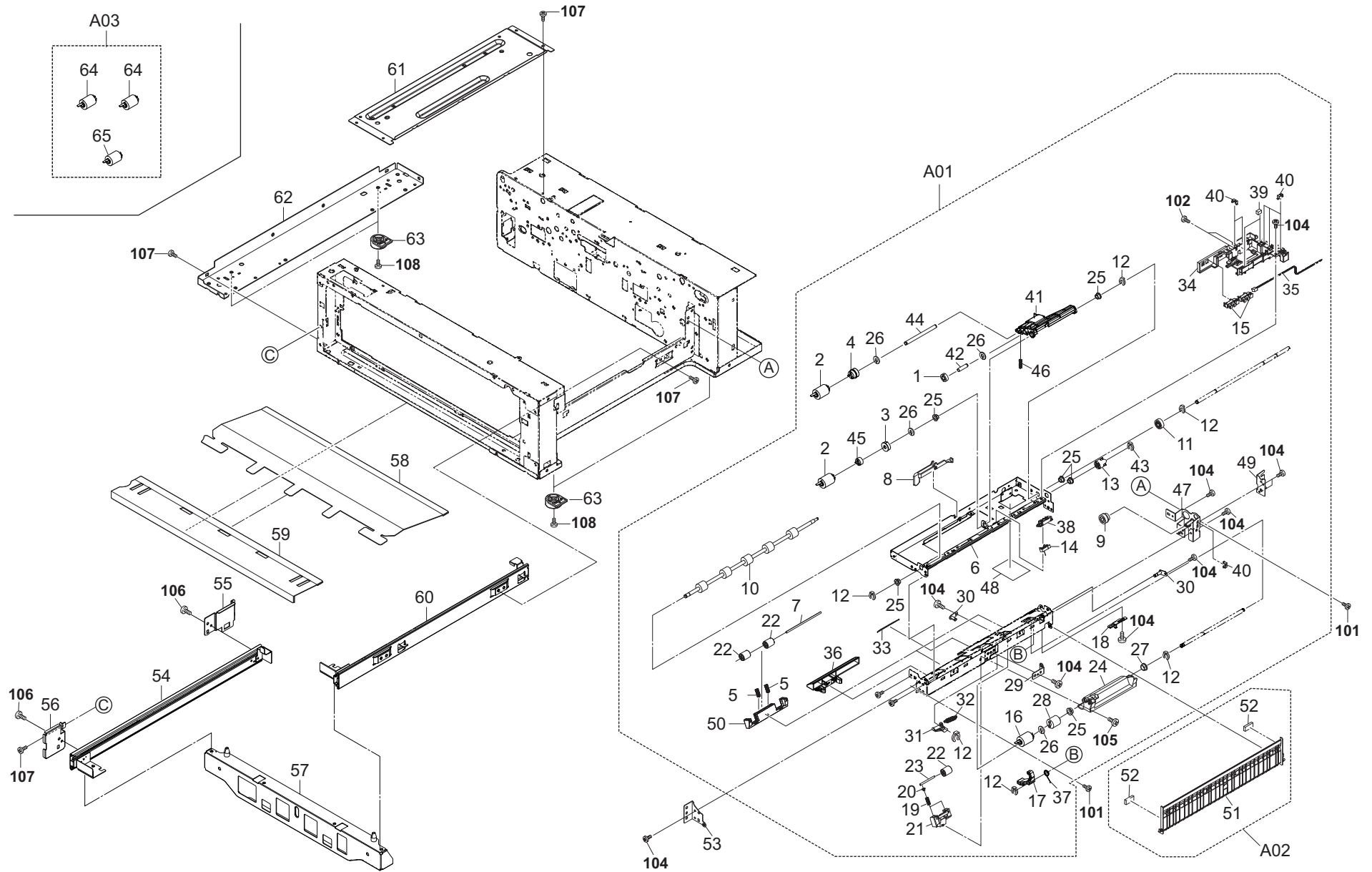


FIG. 3 Paper Feed Section

3S0-5

| Ref. No. 番号 | Part.No. 部品番号 | Description 部品名称 | Notes 備考 | Revision 改訂 | Quantity 個数 | | | |
|----------------|------------------|----------------------------------|-------------|----------------|----------------|-----|-----|-----|
| | | | | | 100(日本) | 120 | 230 | 240 |
| A01 | 303S094020 | PARTS PRIMARY FEED UNIT SP | | | 1 | 1 | 1 | 1 |
| 1 | *302N406170 | GEAR Z28 FEED | | | 1 | 1 | 1 | 1 |
| 2 | *302N406030 | PULLEY FEED | | | 2 | 2 | 2 | 2 |
| 3 | *302N406100 | GEAR Z32 FEED OW | | | 1 | 1 | 1 | 1 |
| 4 | *302N406110 | GEAR Z32 PICKUP | | | 1 | 1 | 1 | 1 |
| 5 | *302LC28240 | SPRING SWITCHBACK | | | 4 | 4 | 4 | 4 |
| 6 | *302N406010 | PLATE FRAME UPPER | | | 1 | 1 | 1 | 1 |
| 7 | *302NH06980 | SHAFT FEED LOW | | | 2 | 2 | 2 | 2 |
| 8 | *302K906321 | ACTUATOR PAPER EMPTY | | | 1 | 1 | 1 | 1 |
| 9 | *302K906230 | GEAR PRIMARY FEED IDLE Z20R Z16L | | | 1 | 1 | 1 | 1 |
| 10 | *303NJ94050 | PARTS ROLLER ASSIST SP | | | 1 | 1 | 1 | 1 |
| 11 | *302K906240 | GEAR FEED DRIVE Z20L | | | 1 | 1 | 1 | 1 |
| 12 | *5MVX111DN003 | RING STOPPER /A-49 FEED A4 | | | 6 | 6 | 6 | 6 |
| 13 | *303NJ06040 | GEAR PRIMARY FEED Z17L OW | | | 1 | 1 | 1 | 1 |
| 14 | *302K994580 | PARTS SENSOR OPT. SP | | | 1 | 1 | 1 | 1 |
| 15 | *303M894260 | PARTS SENSOR OPT SP | | | 2 | 2 | 2 | 2 |
| 16 | *302N406040 | PULLEY RETARD | | | 1 | 1 | 1 | 1 |
| 17 | *302N406160 | LEVER RETARD LOCK | | | 1 | 1 | 1 | 1 |
| 18 | *302K906420 | PLATE RETARD ADJUST | | | 1 | 1 | 1 | 1 |
| 19 | *302F708310 | SPRING LOCK MPF | | | 2 | 2 | 2 | 2 |
| 20 | *302ND24290 | CAP SPRING | | | 2 | 2 | 2 | 2 |
| 21 | *302K906701 | HOLDER PULLEY | | Design-chg. | 1 | 1 | 1 | 1 |
| 22 | *302NH29260 | PULLEY DU LOW | | Part No.-chg. | 5 | 5 | 5 | 5 |
| 23 | *302NH06990 | SHAFT ASSIST PULLEY | | | 1 | 1 | 1 | 1 |
| 24 | *302NH06070 | HOLDER RETARD | | | 1 | 1 | 1 | 1 |
| 25 | *302K324450 | BUSH 6 | | | 6 | 6 | 6 | 6 |
| 26 | *302K924820 | CUT-WASHER 4 | | | 4 | 4 | 4 | 4 |
| 27 | *34806040 | LOWER BUSHING,PAPER FEED | | | 1 | 1 | 1 | 1 |
| 28 | *302K906750 | TORQUE-LIMITER 390 | | | 1 | 1 | 1 | 1 |
| 29 | *302NH06090 | PLATE RETARD HOLDER | | | 1 | 1 | 1 | 1 |
| 30 | *302N406150 | FULCRUM-PIN RETARD | | | 2 | 2 | 2 | 2 |
| 31 | *302N406130 | LEVER RETARD RELEASE | | | 1 | 1 | 1 | 1 |
| 32 | *302NH06100 | SPRING RETARD | | | 1 | 1 | 1 | 1 |
| 33 | *302K906721 | SHEET PRIMARY FEED HI | | | 1 | 1 | 1 | 1 |
| 34 | *302K906250 | GUIDE PRIM FEED WIRE | | | 1 | 1 | 1 | 1 |
| 35 | *303NJ46160 | WIRE PRIMARY FEED UNIT | | | 1 | 1 | 1 | 1 |
| 36 | *302N406060 | GUIDE FRONT LOWER | | | 1 | 1 | 1 | 1 |
| 37 | *302N406140 | SPRING RETARD LOCK | | | 1 | 1 | 1 | 1 |
| 38 | *302K906290 | HOLDER SENSOR FEED | | | 1 | 1 | 1 | 1 |
| 39 | *302H708150 | SPONGE WIRE MPT | | | 2 | 2 | 2 | 2 |
| 40 | *302K931080 | WIRE STOPPER | | | 6 | 6 | 6 | 6 |
| 41 | *302N406050 | HOLDER PICKUP | | | 1 | 1 | 1 | 1 |
| 42 | *302K906080 | PIN PICK UP IDLE | | | 1 | 1 | 1 | 1 |
| 43 | *5MVX111DN007 | STOPPER 3 /2BT1107 A4 | | | 1 | 1 | 1 | 1 |
| 44 | *302N406070 | SHAFT PICKUP PRIMARY | | | 1 | 1 | 1 | 1 |
| 45 | *302N406120 | ONEWAY-CLUTCH 6 | | | 1 | 1 | 1 | 1 |
| 46 | *302K906260 | SPRING PICK UP | | | 1 | 1 | 1 | 1 |
| 47 | *302K906111 | PLATE PRIMARY FEED DRIVE | | | 1 | 1 | 1 | 1 |

FIG. 4 Drive Section

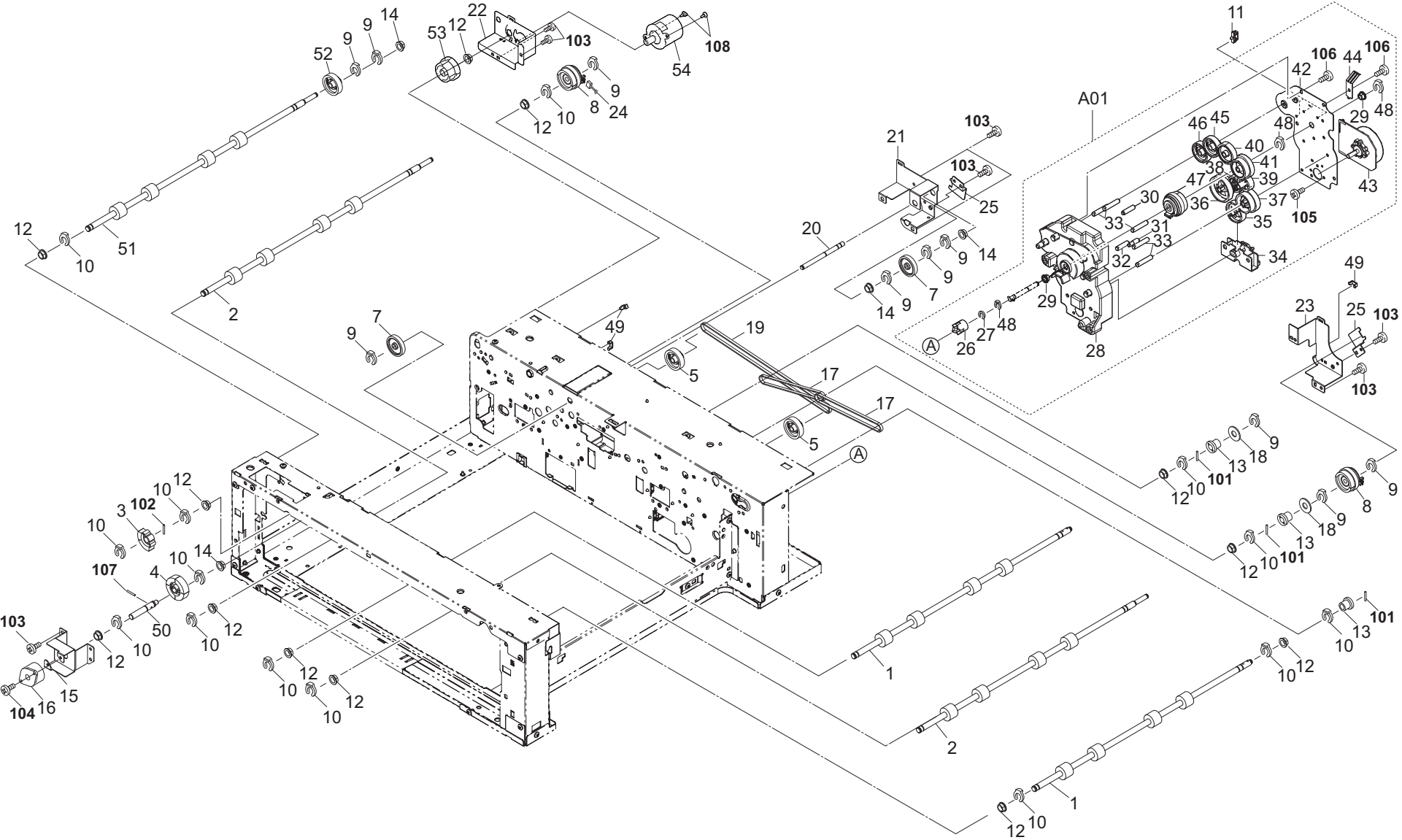


FIG. 4 Drive Section

3S0

| Ref. No. 番号 | Part.No. 部品番号 | Description 部品名称 | Notes 備考 | Revision 改訂 | Quantity 個数 | | | |
|----------------|------------------|-----------------------------|-------------|----------------|----------------|-----|-----|-----|
| | | | | | 100(日本) | 120 | 230 | 240 |
| 1 | 303NL94050 | PARTS ROLLER CONVEYING B SP | | | 2 | 2 | 2 | 2 |
| 2 | 303NL94040 | PARTS ROLLER CONVEYING A SP | | | 2 | 2 | 2 | 2 |
| 3 | 303NL02190 | GEAR Z12S FEED UP | | | 1 | 1 | 1 | 1 |
| 4 | 303ND31220 | GEAR Z12 PRESS | | | 1 | 1 | 1 | 1 |
| 5 | 303NL31070 | PULLEY 20 Z35L | | | 2 | 2 | 2 | 2 |
| 6 | | | | | | | | |
| 7 | 303NF31060 | GEAR Z35R | | | 2 | 2 | 2 | 2 |
| 8 | 302NH94540 | PARTS CLUTCH 50 Z35R SP | | | 2 | 2 | 2 | 2 |
| 9 | 5MVX111DN003 | RING STOPPER /A-49 FEED A4 | | | 10 | 10 | 10 | 10 |
| 10 | 2BC06910 | STOPPER 6 | | | 14 | 14 | 14 | 14 |
| 11 | 7YZM610008++H01 | ACCESS.SADDLE | | | 3 | 3 | 3 | 3 |
| 12 | 28107310 | BUSH 8 | | | 12 | 12 | 12 | 12 |
| 13 | 2BC21420 | PULLEY 20,SWITCH BACK | | | 3 | 3 | 3 | 3 |
| 14 | 302K324450 | BUSH 6 | | | 4 | 4 | 4 | 4 |
| 15 | 303NL02180 | STAY TORQUE LIMITER | | | 1 | 1 | 1 | 1 |
| 16 | 3B816970 | TOP TORQUE LIMITER,RELEASE | | | 1 | 1 | 1 | 1 |
| 17 | 303NL31090 | BELT 40S2M276 | | | 2 | 2 | 2 | 2 |
| 18 | 75714210 | COLLAR DEVELOPING UNIT | | | 2 | 2 | 2 | 2 |
| 19 | 303NL31100 | BELT 40S2M524 | | | 1 | 1 | 1 | 1 |
| 20 | 303NL31150 | SHAFT EXIT JOINT | | | 1 | 1 | 1 | 1 |
| 21 | 303NL31040 | MOUNT DRIVE B | | | 1 | 1 | 1 | 1 |
| 22 | 303S031030 | MOUNT DRIVE | | | 1 | 1 | 1 | 1 |
| 23 | 303NL31050 | MOUNT DRIVE C | | | 1 | 1 | 1 | 1 |
| 24 | 303S046030 | WIRE CLUTCH | | | 1 | 1 | 1 | 1 |
| 25 | 303NL31060 | STOPPER CLUTCH | | | 2 | 2 | 2 | 2 |
| A01 | 303S094011 | PARTS DRIVE FEED UNIT SP | | | 1 | 1 | 1 | 1 |
| 26 | *302K931530 | COUPLING DRIVE | | | 1 | 1 | 1 | 1 |
| 27 | *302K924820 | CUT-WASHER 4 | | | 1 | 1 | 1 | 1 |
| 28 | *303NL31010 | MOUNT FEED DRIVE | | | 1 | 1 | 1 | 1 |
| 29 | *302K324450 | BUSH 6 | | | 2 | 2 | 2 | 2 |
| 30 | *303NL31120 | SHAFT FEED DRIVE B | | | 1 | 1 | 1 | 1 |
| 31 | *303NL31130 | SHAFT FEED DRIVE C | | | 1 | 1 | 1 | 1 |
| 32 | *303NL31140 | SHAFT FEED DRIVE D | | | 1 | 1 | 1 | 1 |
| 33 | *303NJ31120 | PIN FEED DRIVE | | | 5 | 5 | 5 | 5 |
| 34 | *303NJ31031 | BRACKET GEAR CHANGE | | | 1 | 1 | 1 | 1 |
| 35 | *303NJ31060 | GEAR Z60R | | | 1 | 1 | 1 | 1 |
| 36 | *303NJ31080 | GEAR Z75L-Z32L | | | 1 | 1 | 1 | 1 |
| 37 | *303NJ31070 | GEAR Z56L-Z40R | | | 1 | 1 | 1 | 1 |
| 38 | *303NJ31130 | GEAR Z28R | | | 1 | 1 | 1 | 1 |
| 39 | *302JZ31170 | GEAR Z27L MAIN | | | 1 | 1 | 1 | 1 |
| 40 | *303NF31160 | GEAR Z36R | | | 1 | 1 | 1 | 1 |
| 41 | *303NJ31140 | GEAR Z40R-Z34L | | | 1 | 1 | 1 | 1 |
| 42 | *303NL31020 | LID FEED DRIVE | | | 1 | 1 | 1 | 1 |
| 43 | *302K994334 | PARTS MOTOR-BL W30 SP | | | 1 | 1 | 1 | 1 |
| 44 | *303NL31160 | PLATE EARTH DRIVE | | | 1 | 1 | 1 | 1 |
| 45 | *303NL31070 | PULLEY 20 Z35L | | | 1 | 1 | 1 | 1 |
| 46 | *303NL31080 | PULLEY 20 Z35R | | | 1 | 1 | 1 | 1 |
| 47 | *302NH94540 | PARTS CLUTCH 50 Z35R SP | | | 1 | 1 | 1 | 1 |

FIG. 5 Exit Section

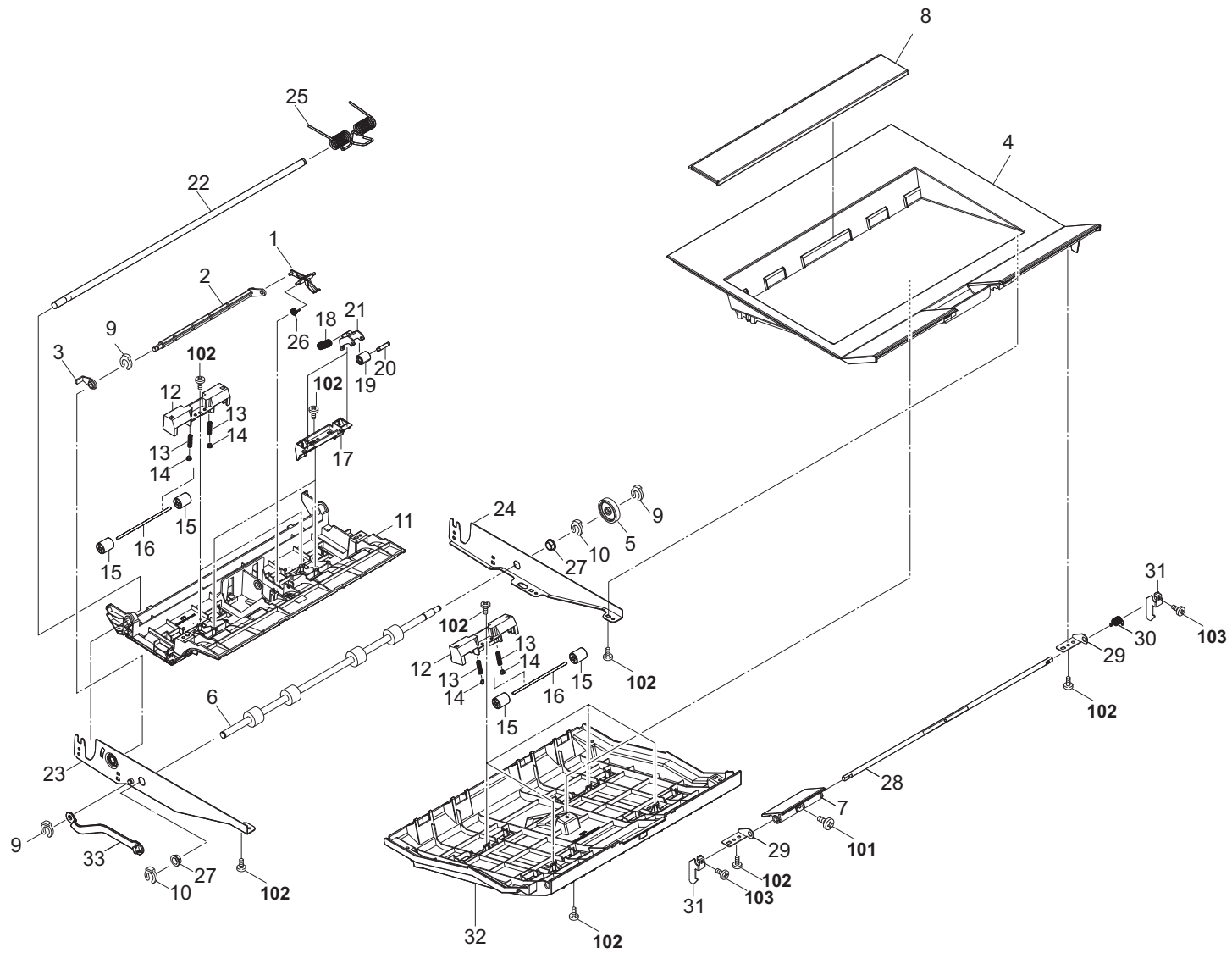


FIG. 6 Electrical Component

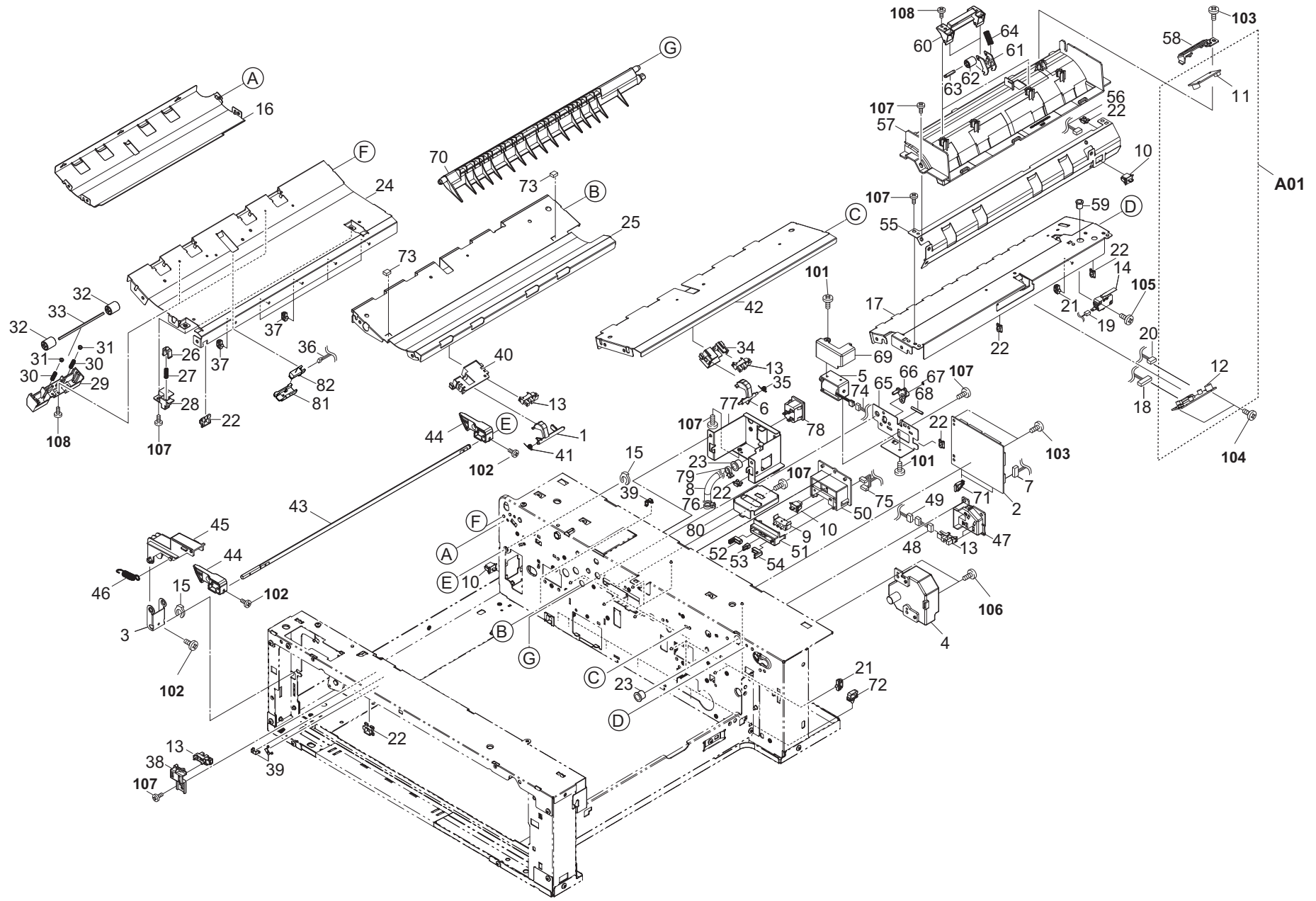


FIG. 6 Electrical Component

3S0

| Ref. No. 番号 | Part.No. 部品番号 | Description 部品名称 | Notes 備考 | Revision 改訂 | Quantity 個数 | | | |
|----------------|------------------|------------------------------|-------------|----------------|----------------|-----|-----|-----|
| | | | | | 100(日本) | 120 | 230 | 240 |
| 1 | 303NL06460 | ACTUATOR PI | | | 1 | 1 | 1 | 1 |
| 2 | 303S094040 | PARTS PWB SMT ASSY SP | | | 1 | 1 | 1 | 1 |
| 3 | 303NG02270 | LEVER ATTACHMENT | | | 1 | 1 | 1 | 1 |
| 4 | 302K394190 | PARTS MOTOR LIFT ASSY SP | | | 1 | 1 | 1 | 1 |
| 5 | 302K994370 | PARTS SOLENOID FEED SHIFT SP | | | 1 | 1 | 1 | 1 |
| 6 | 303ND37090 | ACTUATOR PI | | | 1 | 1 | 1 | 1 |
| 7 | 303NL46140 | WIRE SUB PF I/F | | | 1 | 1 | 1 | 1 |
| 8 | 303S046050 | WIRE INTERFACE B | | | 1 | 1 | 1 | 1 |
| 9 | 7SP03072001+H01 | SW.PUSH | | | 1 | 1 | 1 | 1 |
| 10 | 7SP01000006+H01 | SW.PUSH | | | 3 | 3 | 3 | 3 |
| A01 | 303M494190 | PARTS PWB TX-RX SET SP | | | 1 | 1 | 1 | 1 |
| 11 | *303M494150 | PARTS PWB TX ASSY SP | | | 1 | 1 | 1 | 1 |
| 12 | *303M494160 | PARTS PWB RX ASSY SP | | | 1 | 1 | 1 | 1 |
| 13 | 303M894260 | PARTS SENSOR OPT SP | | | 5 | 5 | 5 | 5 |
| 14 | 2FB27160 | INTER LOCK SWITCH | | | 1 | 1 | 1 | 1 |
| 15 | 5MVX111DN003 | RING STOPPER /A-49 FEED A4 | | | 2 | 2 | 2 | 2 |
| 16 | 303S006150 | GUIDE EXIT UP | | | 1 | 1 | 1 | 1 |
| 17 | 303NL06010 | GUIDE CONVEYING A | | | 1 | 1 | 1 | 1 |
| 18 | 303NL46160 | WIRE SSW | | | 1 | 1 | 1 | 1 |
| 19 | 303NL46150 | WIRE INTERLOCK | | | 1 | 1 | 1 | 1 |
| 20 | 303NL46180 | WIRE SSW JOINT | | | 1 | 1 | 1 | 1 |
| 21 | 7YZM610008++H01 | ACCESS.SADDLE | | | 9 | 9 | 9 | 9 |
| 22 | 7YZM210006++H01 | ACCESS.EDGING | | | 7 | 7 | 7 | 7 |
| 23 | 7YZM130002++H01 | ACCESS.BUSHING | | | 2 | 2 | 2 | 2 |
| 24 | 303S006040 | GUIDE EXIT LOW | | | 1 | 1 | 1 | 1 |
| 25 | 303NL06030 | GUIDE CONVEYING C | | | 1 | 1 | 1 | 1 |
| 26 | 2FB07330 | STOPPER BYPASS TABLE | | | 2 | 2 | 2 | 2 |
| 27 | 302FB17700 | SPRING BYPASS TEBLE | | | 2 | 2 | 2 | 2 |
| 28 | 303NL06440 | CASE STOPPER | | | 2 | 2 | 2 | 2 |
| 29 | 302K906640 | HOLDER FEED LOW PULLEY | | | 2 | 2 | 2 | 2 |
| 30 | 2DC12170 | SPRING TENSION | | | 4 | 4 | 4 | 4 |
| 31 | 302ND24290 | CAP SPRING | | | 4 | 4 | 4 | 4 |
| 32 | 302F929260 | PULLEY DU LOW | | | 4 | 4 | 4 | 4 |
| 33 | 302NH06980 | SHAFT FEED LOW | | | 2 | 2 | 2 | 2 |
| 34 | 303ND37100 | HOLDER FEED PI | | | 1 | 1 | 1 | 1 |
| 35 | 303NL06510 | SPRING ACTUATOR PI | | | 1 | 1 | 1 | 1 |
| 36 | 303S046020 | WIRE CONVEYING | | | 1 | 1 | 1 | 1 |
| 37 | 7YZM610007++H01 | ACCESS.SADDLE | | | 5 | 5 | 5 | 5 |
| 38 | 303NL02200 | HOLDER PI EXIT | | | 1 | 1 | 1 | 1 |
| 39 | 302K931080 | WIRE STOPPER | | | 3 | 3 | 3 | 3 |
| 40 | 303NL06450 | HOLDER FEED PI | | | 1 | 1 | 1 | 1 |
| 41 | 302H729120 | SPRING ACT DU | | | 1 | 1 | 1 | 1 |
| 42 | 303NL06020 | GUIDE CONVEYING B | | | 1 | 1 | 1 | 1 |
| 43 | 303NG02290 | SHAFT ATTACHMENT | | | 1 | 1 | 1 | 1 |
| 44 | 303NG02310 | HOOK ATTACHMENT | | | 2 | 2 | 2 | 2 |
| 45 | 303NG02280 | KNOB ATTACHMENT | | | 1 | 1 | 1 | 1 |
| 46 | 303NG02240 | SPRING KNOB | | | 1 | 1 | 1 | 1 |
| 47 | 302K909510 | MOUNT PAPER LEVEL SENSOR | | | 1 | 1 | 1 | 1 |

FIG. 7 Accessories 1

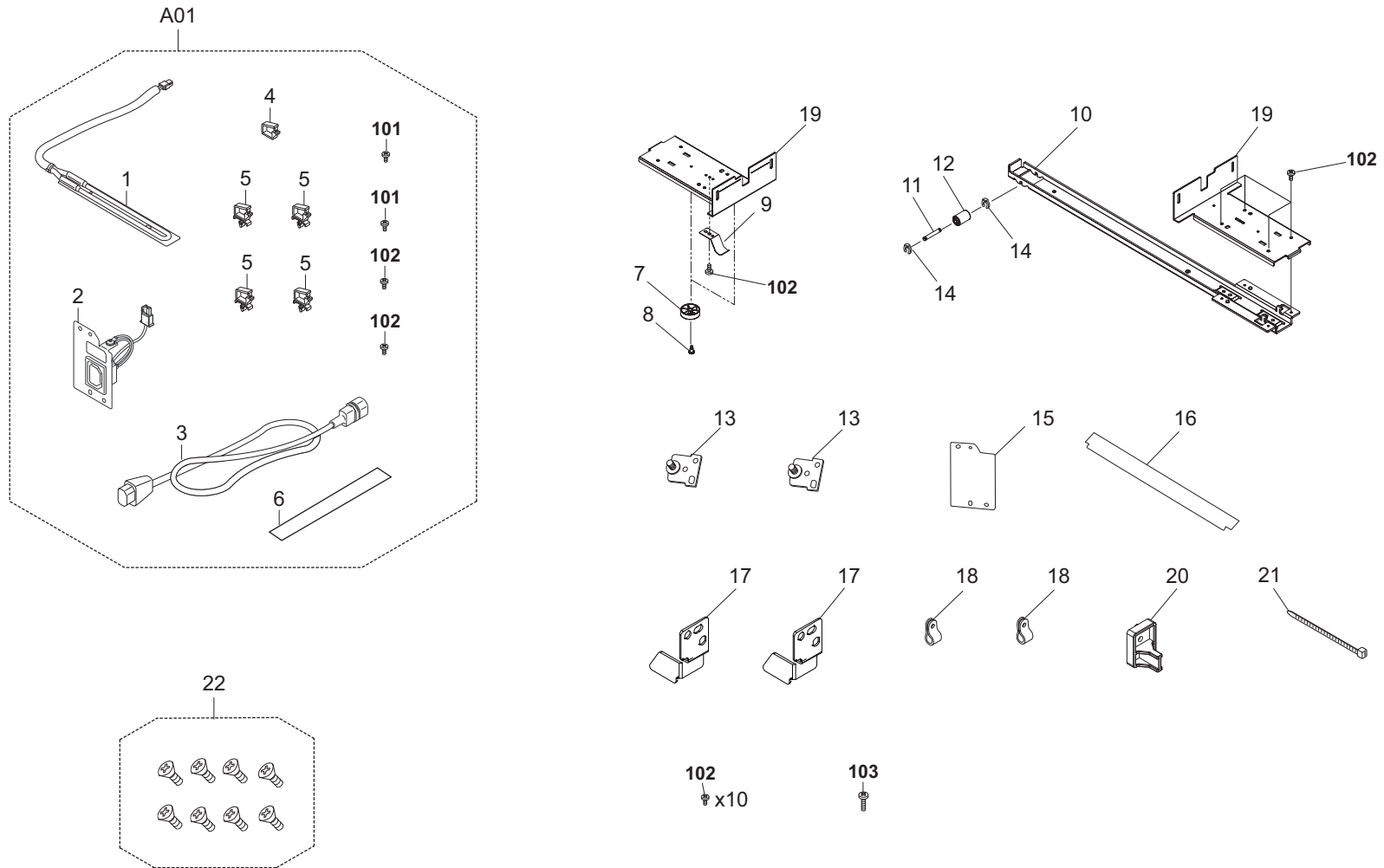


FIG. 8 Accessories 2

front (表面)

| | | | | | |
|--------------------------|-------------------------|---------------------------|--|---|-------------------------------------|
| 사용자 自定义 카탈로그 自訂 | 16开 16开 8开 16开 | 가공지 普通紙 리터헤드 普通紙 | Patinata Normale Intestata Spessa | Мелованная Обычная Бланк Плотная | A4 A4 A5 A5 A3 A4 |
| 厚紙 普通紙 | 厚紙 普通紙 | 普通紙 再生紙 | Comum Normaal Cuché Gecoat | Thick Normal Coated Estucado | Letter Letter Ledger Legal |
| Espresso | Dick | En-tête | Normalpapier | Épais | B4 B5 B5 B5 |

back (裏面)

| | | | | |
|--|----------------|----------------|-------------|----------|
| Personalizado Personalizzato Personalise | Personalizzato | Personalizzato | Anwender | Custom |
| 信箋紙 厚紙 | 普通紙 普通紙 | 普通紙 再生紙 | Briefpapier | Gecoat |
| 信箋紙 厚紙 | 普通紙 普通紙 | 普通紙 再生紙 | Briefpapier | Estucado |
| Personalizado | Personalizzato | Personalise | Anwender | Custom |

1

2

3

PH-7B

PH-7A

PH-7C

PH-7D

[CONFIDENTIAL]

FOR AUTHORIZED KYOCERA ENGINEERS ONLY. DO NOT DISTRIBUTE TO NON-AUTHORIZED PARTIES.

Items listed in the revision columns are defined as follows.

| Item | Description |
|---------------|---|
| Add | Add a new part |
| Del | Delete a part |
| Design-chg. | A design changed part (Parts number version up) |
| Part No.-chg. | A part number is changed to other one. |
| Quantity-chg. | Change Quantity of parts to use |
| Others | Other changes |
| Correction | Correction |

Revision history

| Rev. | Date | Remarks |
|------|----------|---------|
| 5 | May 2017 | Others |
| | | |
| | | |
| | | |
| | | |
| | | |

Symbols in the parts list

- Parts without a Ref.No. in the illustration indicate they are not supplied.
- Parts with "•" are component parts or sub-assemblies of the assembly appearing immediately above them.
- Parts with "••" are component parts or sub-assembly with "•" appearing immediately above them.

[CONFIDENTIAL]

京セラドキュメントソリューションズ株式会社の許可なく、本資料を配布することを禁じます。

Revision 欄記載項目の内容は以下の通りです。

| 記載項目 | 内容 |
|---------------|--------------|
| Add | 新規部品の追加 |
| Del | 部品の削除 |
| Design-chg. | 部品の設変(版数アップ) |
| Part No.-chg. | 部品番号の変更 |
| Quantity-chg. | 部品の個数変更 |
| Others | その他の変更 |
| Correction | 誤記訂正 |

改版履歴

| Rev. | 改訂日 | 備考 |
|------|---------|--------|
| 5 | 2017年5月 | Others |
| | | |
| | | |
| | | |
| | | |
| | | |

記号の見方

- イラスト中で Ref 番号がない部品は供給できません。
- 部品番号欄の • 印は、組立部品の単品部品及び準組立部品を表わします。
- 部品番号欄の •• 印は、準組立部品の単品部品を表わします。

— CONTENTS —

| | | |
|--------|-------------|----|
| FIG. 1 | PH-7B | 2 |
| FIG. 2 | PH-7A | 5 |
| FIG. 3 | PH-7C | 8 |
| FIG. 4 | PH-7D | 11 |

FIG. 1 PH-7B

3NK-5

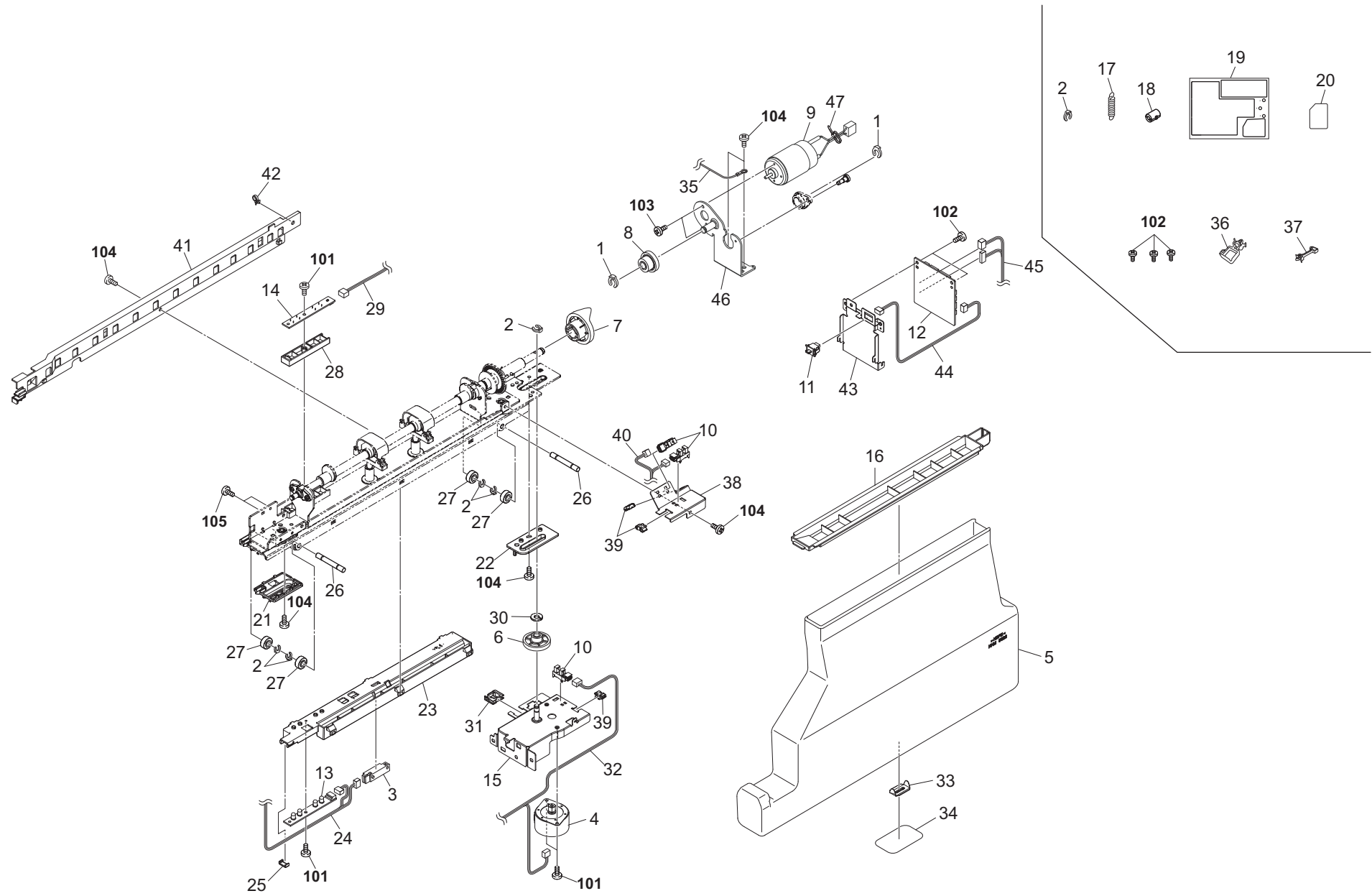


FIG. 1 PH-7B

3NK

| Ref No. | Part.No. | Description | Notes | Revision | Quantity | | | |
|---------|-----------------|---------------------------------|-------|----------|----------|-----|-----|-----|
| | | | | | 100 | 120 | 230 | 240 |
| 1 | 2BC06910 | STOPPER 6 | | | 2 | | | |
| 2 | 2BC06980 | STOPPER 5 | | | 6 | | | |
| 3 | 303H327500 | SENSOR FEED B | | | 1 | | | |
| 4 | 303NB94040 | PARTS MOTOR-PM MOVING SP | | | 1 | | | |
| 5 | 303NK02010 | TANK DISPOSAL | | | 1 | | | |
| 6 | 303NK31020 | GEAR Z63R-Z24S | | | 1 | | | |
| 7 | 3H416110 | GEAR 40 CAM DRIVE | | | 1 | | | |
| 8 | 3H416120 | GEAR 16-51 IDLE | | | 1 | | | |
| 9 | 303PW94020 | PARTS MOTOR PUNCH SP | | | 1 | | | |
| 10 | 303M894260 | PARTS SENSOR OPT SP | | | 3 | | | |
| 11 | 7SP01000006+H01 | SW.PUSH | | | 1 | | | |
| 12 | 303NK94012 | PARTS PWB PUNCH ASSY SP | | | 1 | | | |
| 13 | 303NK94020 | PARTS PWB SENSOR A ASSY SP | | | 1 | | | |
| 14 | 303NK94030 | PARTS PWB SENSOR B ASSY SP | | | 1 | | | |
| 15 | 303NK31010 | MOUNT PUNCH MOVING MOTOR | | | 1 | | | |
| 16 | 303NK02020 | GUIDE DISPOSAL TANK | | | 1 | | | |
| 17 | 303NK02070 | SPRING PUNCH | | | 1 | | | |
| 18 | M70CA010 | FERRITE CORE,SFT-72SN(TAKEUCHI) | | | 1 | | | |
| 19 | 303NK34012 | LABEL DISPOSAL TANK | | | 1 | | | |
| 20 | 303NK02080 | SHEET MOTOR | | | 1 | | | |
| 21 | 303NK35080 | GUIDE PUNCH FRONT | | | 1 | | | |
| 22 | 303NK35090 | GUIDE PUNCH REAR | | | 1 | | | |
| 23 | 303NK35060 | GUIDE WIRE A | | | 1 | | | |
| 24 | 303NK46070 | WIRE PH UNIT J | | | 1 | | | |
| 25 | 303LL02330 | HOLDER WIRE D | | | 1 | | | |
| 26 | 303NK35100 | SHAFT PULLEY | | | 2 | | | |
| 27 | 302FG07020 | PULLEY,CASSETTE RAIL | | | 4 | | | |
| 28 | 303NK35070 | COVER PAPER DETECTION SENSOR | | | 1 | | | |
| 29 | 303NK46040 | WIRE PH PTR | | | 1 | | | |
| 30 | 2C904550 | CUT WASHER 5 | | | 1 | | | |
| 31 | 7YZM210005++H01 | ACCESS.EDGING | | | 1 | | | |
| 32 | 303NK46090 | WIRE PH MOT 2 | | | 1 | | | |
| 33 | 303H402040 | GROUND PLATE TANK | | | 1 | | | |
| 34 | 303H402050 | FILM GROUND PLATE | | | 1 | | | |
| 35 | 303NK46080 | WIRE EARTH | | | 1 | | | |
| 36 | 7YZM610017++H01 | ACCESS.SADDLE | | | 1 | | | |
| 37 | 7YZM610023++H01 | ACCESS.SADDLE | | | 1 | | | |
| 38 | 303NK35040 | MOUNT PULSE DETECTION | | | 1 | | | |
| 39 | M2104260 | EDGING,EDS-0607U(KITAGAWA) | | | 3 | | | |
| 40 | 303NK46050 | WIRE PH PI | | | 1 | | | |
| 41 | 303NK35280 | GUIDE WIRE B | | | 1 | | | |
| 42 | 7YZM410002++H01 | ACCESS.BAND | | | 1 | | | |
| 43 | 303NK02030 | MOUNT PWB | | | 1 | | | |
| 44 | 303NK46060 | WIRE PH TANK SW | | | 1 | | | |
| 45 | 303NK46010 | WIRE PH IF | | | 1 | | | |
| 46 | 303RW35010 | MOUNT DRIVE B | | | 1 | | | |
| 47 | 7YZM420003++H01 | ACCESS.BAND | | | 1 | | | |

FIG. 2 PH-7A

3NK

| Ref No. | Part.No. | Description | Notes | Revision | Quantity | | | |
|---------|-----------------|---------------------------------|-------|----------|----------|-----|-----|-----|
| | | | | | 100 | 120 | 230 | 240 |
| 1 | 2BC06910 | STOPPER 6 | | | | 2 | | |
| 2 | 2BC06980 | STOPPER 5 | | | | 6 | | |
| 3 | 303H327500 | SENSOR FEED B | | | | 1 | | |
| 4 | 303NB94040 | PARTS MOTOR-PM MOVING SP | | | | 1 | | |
| 5 | 303NK02010 | TANK DISPOSAL | | | | 1 | | |
| 6 | 303NK31020 | GEAR Z63R-Z24S | | | | 1 | | |
| 7 | 3H416110 | GEAR 40 CAM DRIVE | | | | 1 | | |
| 8 | 3H416120 | GEAR 16-51 IDLE | | | | 1 | | |
| 9 | 303PW94020 | PARTS MOTOR PUNCH SP | | | | 1 | | |
| 10 | 303M894260 | PARTS SENSOR OPT SP | | | | 3 | | |
| 11 | 7SP01000006+H01 | SW.PUSH | | | | 1 | | |
| 12 | 303NK94012 | PARTS PWB PUNCH ASSY SP | | | | 1 | | |
| 13 | 303NK94020 | PARTS PWB SENSOR A ASSY SP | | | | 1 | | |
| 14 | 303NK94030 | PARTS PWB SENSOR B ASSY SP | | | | 1 | | |
| 15 | 3H427060 | SOLENOID PUNCH | | | | 1 | | |
| 16 | 303NK02020 | GUIDE DISPOSAL TANK | | | | 1 | | |
| 17 | 303NK02070 | SPRING PUNCH | | | | 1 | | |
| 18 | M70CA010 | FERRITE CORE,SFT-72SN(TAKEUCHI) | | | | 1 | | |
| 19 | 303NK34012 | LABEL DISPOSAL TANK | | | | 1 | | |
| 20 | 303NK02080 | SHEET MOTOR | | | | 1 | | |
| 21 | 303NK35080 | GUIDE PUNCH FRONT | | | | 1 | | |
| 22 | 303NK35090 | GUIDE PUNCH REAR | | | | 1 | | |
| 23 | 303NK35060 | GUIDE WIRE A | | | | 1 | | |
| 24 | 303NK46030 | WIRE PH UNIT | | | | 1 | | |
| 25 | 303LL02330 | HOLDER WIRE D | | | | 1 | | |
| 26 | 303NK35100 | SHAFT PULLEY | | | | 2 | | |
| 27 | 302FG07020 | PULLEY,CASSETTE RAIL | | | | 4 | | |
| 28 | 303NK35070 | COVER PAPER DETECTION SENSOR | | | | 1 | | |
| 29 | 303NK46040 | WIRE PH PTR | | | | 1 | | |
| 30 | 3H416170 | SHAFT SHIFT | | | | 1 | | |
| 31 | 3H416080 | LEVER SHIFT | | | | 1 | | |
| 32 | 5MVX111DN007 | STOPPER 3 /2BT1107 A4 | | | | 2 | | |
| 33 | 3H416380 | COLLAR SHIFT | | | | 1 | | |
| 34 | 5MVX111DN003 | RING STOPPER /A-49 FEED A4 | | | | 1 | | |
| 35 | 303NK46080 | WIRE EARTH | | | | 1 | | |
| 36 | 3H416070 | COLLAR PRESSURE | | | | 2 | | |
| 37 | 3H416190 | SPRING SHIFT | | | | 1 | | |
| 38 | 303NK35040 | MOUNT PULSE DETECTION | | | | 1 | | |
| 39 | M2104260 | EDGING,EDS-0607U(KITAGAWA) | | | | 3 | | |
| 40 | 303NK46050 | WIRE PH PI | | | | 1 | | |
| 41 | 303NK35280 | GUIDE WIRE B | | | | 1 | | |
| 42 | 7YZM410002++H01 | ACCESS.BAND | | | | 1 | | |
| 43 | 303NK02030 | MOUNT PWB | | | | 1 | | |
| 44 | 303NK46060 | WIRE PH TANK SW | | | | 1 | | |
| 45 | 303NK46010 | WIRE PH IF | | | | 1 | | |

FIG. 3 PH-7C

3NK-5

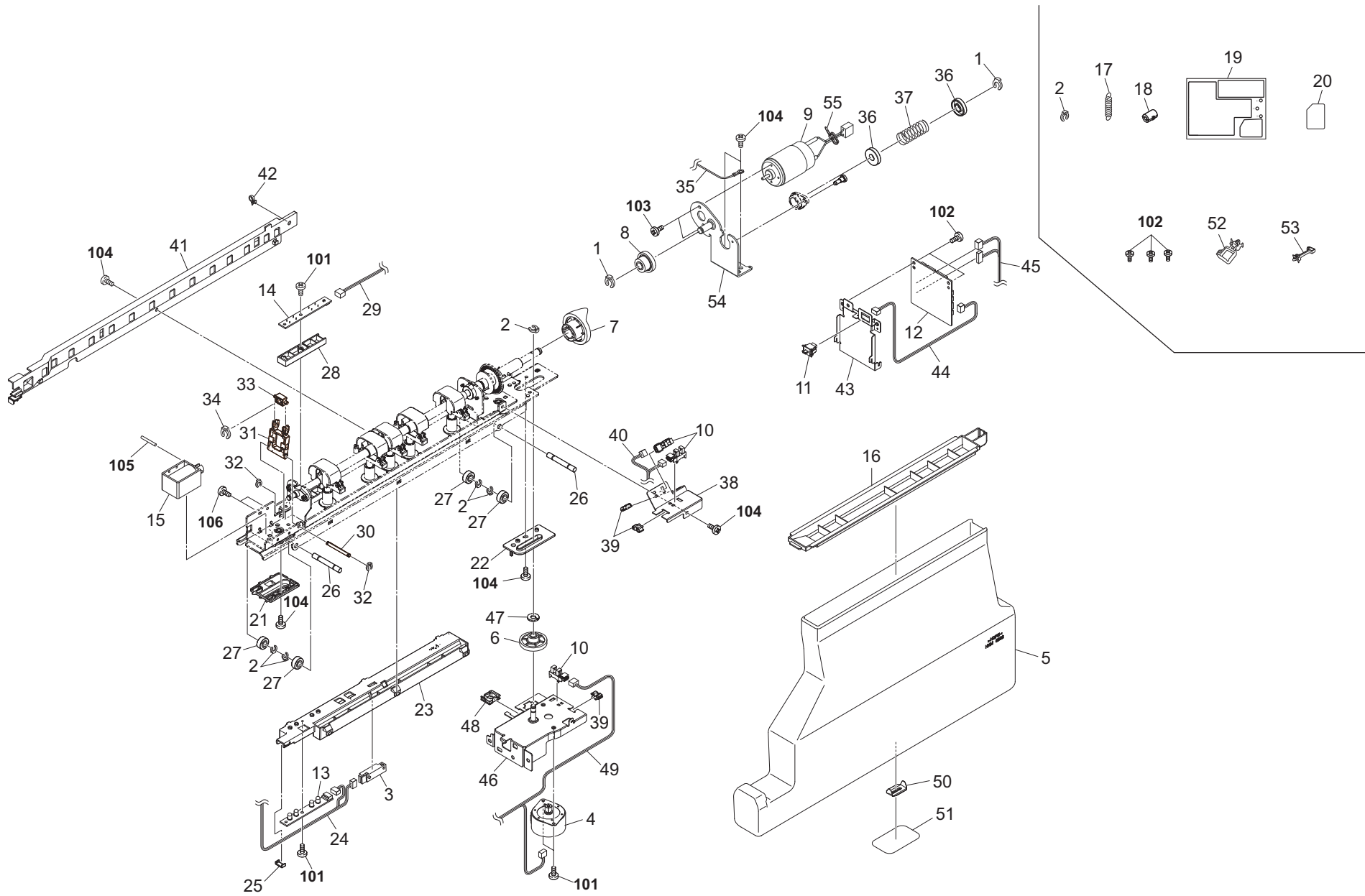


FIG. 3 PH-7C

3NK

| Ref No. | Part.No. | Description | Notes | Revision | Quantity | | | |
|---------|-----------------|---------------------------------|-------|----------|----------|-----|-----|-----|
| | | | | | 100 | 120 | 230 | 240 |
| 1 | 2BC06910 | STOPPER 6 | | | | | 2 | 2 |
| 2 | 2BC06980 | STOPPER 5 | | | | | 6 | 6 |
| 3 | 303H327500 | SENSOR FEED B | | | | | 1 | 1 |
| 4 | 303NB94040 | PARTS MOTOR-PM MOVING SP | | | | | 1 | 1 |
| 5 | 303NK02010 | TANK DISPOSAL | | | | | 1 | 1 |
| 6 | 303NK31020 | GEAR Z63R-Z24S | | | | | 1 | 1 |
| 7 | 3H416110 | GEAR 40 CAM DRIVE | | | | | 1 | 1 |
| 8 | 3H416120 | GEAR 16-51 IDLE | | | | | 1 | 1 |
| 9 | 303PW94020 | PARTS MOTOR PUNCH SP | | | | | 1 | 1 |
| 10 | 303M894260 | PARTS SENSOR OPT SP | | | | | 3 | 3 |
| 11 | 7SP01000006+H01 | SW.PUSH | | | | | 1 | 1 |
| 12 | 303NK94012 | PARTS PWB PUNCH ASSY SP | | | | | 1 | 1 |
| 13 | 303NK94020 | PARTS PWB SENSOR A ASSY SP | | | | | 1 | 1 |
| 14 | 303NK94030 | PARTS PWB SENSOR B ASSY SP | | | | | 1 | 1 |
| 15 | 3H427060 | SOLENOID PUNCH | | | | | 1 | 1 |
| 16 | 303NK02020 | GUIDE DISPOSAL TANK | | | | | 1 | 1 |
| 17 | 303NK02070 | SPRING PUNCH | | | | | 1 | 1 |
| 18 | M70CA010 | FERRITE CORE,SFT-72SN(TAKEUCHI) | | | | | 1 | 1 |
| 19 | 303NK34012 | LABEL DISPOSAL TANK | | | | | 1 | 1 |
| 20 | 303NK02080 | SHEET MOTOR | | | | | 1 | 1 |
| 21 | 303NK35080 | GUIDE PUNCH FRONT | | | | | 1 | 1 |
| 22 | 303NK35090 | GUIDE PUNCH REAR | | | | | 1 | 1 |
| 23 | 303NK35060 | GUIDE WIRE A | | | | | 1 | 1 |
| 24 | 303NK46030 | WIRE PH UNIT | | | | | 1 | 1 |
| 25 | 303LL02330 | HOLDER WIRE D | | | | | 1 | 1 |
| 26 | 303NK35100 | SHAFT PULLEY | | | | | 2 | 2 |
| 27 | 302FG07020 | PULLEY,CASSETTE RAIL | | | | | 4 | 4 |
| 28 | 303NK35070 | COVER PAPER DETECTION SENSOR | | | | | 1 | 1 |
| 29 | 303NK46040 | WIRE PH PTR | | | | | 1 | 1 |
| 30 | 3H416170 | SHAFT SHIFT | | | | | 1 | 1 |
| 31 | 3H416080 | LEVER SHIFT | | | | | 1 | 1 |
| 32 | 5MVX111DN007 | STOPPER 3 /2BT1107 A4 | | | | | 2 | 2 |
| 33 | 3H416380 | COLLAR SHIFT | | | | | 1 | 1 |
| 34 | 5MVX111DN003 | RING STOPPER /A-49 FEED A4 | | | | | 1 | 1 |
| 35 | 303NK46080 | WIRE EARTH | | | | | 1 | 1 |
| 36 | 3H416070 | COLLAR PRESSURE | | | | | 2 | 2 |
| 37 | 3H416190 | SPRING SHIFT | | | | | 1 | 1 |
| 38 | 303NK35040 | MOUNT PULSE DETECTION | | | | | 1 | 1 |
| 39 | M2104260 | EDGING,EDS-0607U(KITAGAWA) | | | | | 3 | 3 |
| 40 | 303NK46050 | WIRE PH PI | | | | | 1 | 1 |
| 41 | 303NK35280 | GUIDE WIRE B | | | | | 1 | 1 |
| 42 | 7YZM410002++H01 | ACCESS.BAND | | | | | 1 | 1 |
| 43 | 303NK02030 | MOUNT PWB | | | | | 1 | 1 |
| 44 | 303NK46060 | WIRE PH TANK SW | | | | | 1 | 1 |
| 45 | 303NK46010 | WIRE PH IF | | | | | 1 | 1 |

FIG. 3 PH-7C

3NK

| Ref No. | Part.No. | Description | Notes | Revision | Quantity | | | |
|---------|-----------------|--------------------------|-------|----------|----------|-----|-----|-----|
| | | | | | 100 | 120 | 230 | 240 |
| 46 | 303NK31010 | MOUNT PUNCH MOVING MOTOR | | | | | 1 | 1 |
| 47 | 2C904550 | CUT WASHER 5 | | | | | 1 | 1 |
| 48 | 7YZM210005++H01 | ACCESS.EDGING | | | | | 1 | 1 |
| 49 | 303NK46090 | WIRE PH MOT 2 | | | | | 1 | 1 |
| 50 | 303H402040 | GROUND PLATE TANK | | | | | 1 | 1 |
| 51 | 303H402050 | FILM GROUND PLATE | | | | | 1 | 1 |
| 52 | 7YZM610017++H01 | ACCESS.SADDLE | | | | | 1 | 1 |
| 53 | 7YZM610023++H01 | ACCESS.SADDLE | | | | | 1 | 1 |
| 54 | 303RW35010 | MOUNT DRIVE B | | | | | 1 | 1 |
| 55 | 7YZM420003++H01 | ACCESS.BAND | | | | | 1 | 1 |
| 101 | 7BB200308H | +BIND T.T P SCREW 3X8 | | | | | | |
| 102 | 7BB700308H | +BIND T.T S SCREW 3X8 SR | | | | | | |
| 103 | 7BB607306H | +TP-CUP M SCREW 3X6 R | | | | | | |
| 104 | 7BB700408H | +BIND T.T S SCREW 4X8 SR | | | | | | |
| 105 | E0130240 | SPRING PIN 3X24(SUS) | | | | | | |
| 106 | 7BB007305H | +TP-CUP M SCREW 3X5 | | | | | | |

FIG. 4 PH-7D

3NK-5

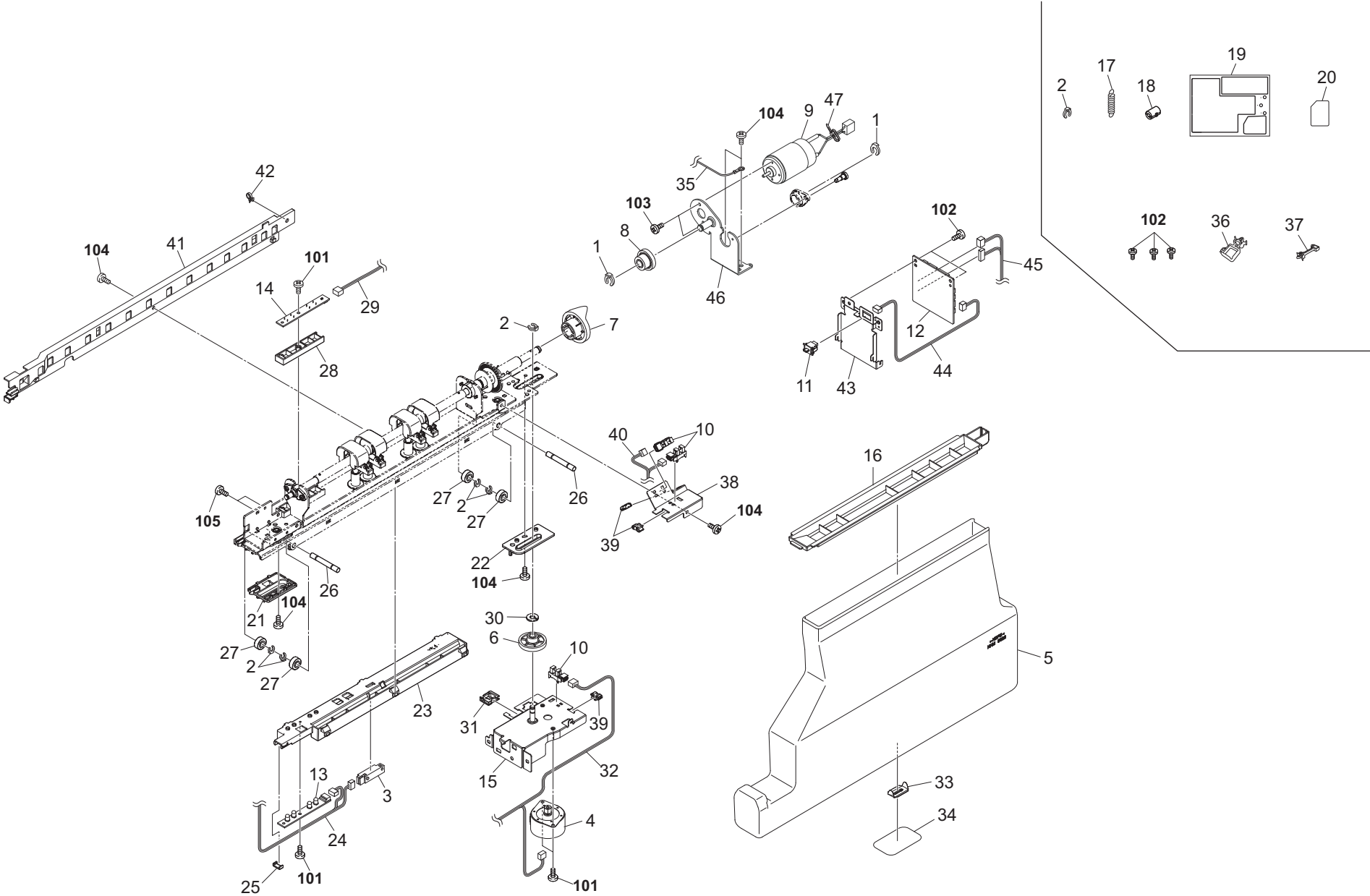


FIG. 4 PH-7D

3NK

| Ref No. | Part.No. | Description | Notes | Revision | Quantity | | | |
|---------|-----------------|---------------------------------|-------|----------|----------|-----|-----|-----|
| | | | | | 100 | 120 | 230 | 240 |
| 1 | 2BC06910 | STOPPER 6 | | | | | 2 | |
| 2 | 2BC06980 | STOPPER 5 | | | | | 6 | |
| 3 | 303H327500 | SENSOR FEED B | | | | | 1 | |
| 4 | 303NB94040 | PARTS MOTOR-PM MOVING SP | | | | | 1 | |
| 5 | 303NK02010 | TANK DISPOSAL | | | | | 1 | |
| 6 | 303NK31020 | GEAR Z63R-Z24S | | | | | 1 | |
| 7 | 3H416110 | GEAR 40 CAM DRIVE | | | | | 1 | |
| 8 | 3H416120 | GEAR 16-51 IDLE | | | | | 1 | |
| 9 | 303PW94020 | PARTS MOTOR PUNCH SP | | | | | 1 | |
| 10 | 303M894260 | PARTS SENSOR OPT SP | | | | | 3 | |
| 11 | 7SP01000006+H01 | SW.PUSH | | | | | 1 | |
| 12 | 303NK94012 | PARTS PWB PUNCH ASSY SP | | | | | 1 | |
| 13 | 303NK94020 | PARTS PWB SENSOR A ASSY SP | | | | | 1 | |
| 14 | 303NK94030 | PARTS PWB SENSOR B ASSY SP | | | | | 1 | |
| 15 | 303NK31010 | MOUNT PUNCH MOVING MOTOR | | | | | 1 | |
| 16 | 303NK02020 | GUIDE DISPOSAL TANK | | | | | 1 | |
| 17 | 303NK02070 | SPRING PUNCH | | | | | 1 | |
| 18 | M70CA010 | FERRITE CORE,SFT-72SN(TAKEUCHI) | | | | | 1 | |
| 19 | 303NK34012 | LABEL DISPOSAL TANK | | | | | 1 | |
| 20 | 303NK02080 | SHEET MOTOR | | | | | 1 | |
| 21 | 303NK35080 | GUIDE PUNCH FRONT | | | | | 1 | |
| 22 | 303NK35090 | GUIDE PUNCH REAR | | | | | 1 | |
| 23 | 303NK35060 | GUIDE WIRE A | | | | | 1 | |
| 24 | 303NK46070 | WIRE PH UNIT J | | | | | 1 | |
| 25 | 303LL02330 | HOLDER WIRE D | | | | | 1 | |
| 26 | 303NK35100 | SHAFT PULLEY | | | | | 2 | |
| 27 | 302FG07020 | PULLEY,CASSETTE RAIL | | | | | 4 | |
| 28 | 303NK35070 | COVER PAPER DETECTION SENSOR | | | | | 1 | |
| 29 | 303NK46040 | WIRE PH PTR | | | | | 1 | |
| 30 | 2C904550 | CUT WASHER 5 | | | | | 1 | |
| 31 | 7YZM210005++H01 | ACCESS.EDGING | | | | | 1 | |
| 32 | 303NK46090 | WIRE PH MOT 2 | | | | | 1 | |
| 33 | 303H402040 | GROUND PLATE TANK | | | | | 1 | |
| 34 | 303H402050 | FILM GROUND PLATE | | | | | 1 | |
| 35 | 303NK46080 | WIRE EARTH | | | | | 1 | |
| 36 | 7YZM610017++H01 | ACCESS.SADDLE | | | | | 1 | |
| 37 | 7YZM610023++H01 | ACCESS.SADDLE | | | | | 1 | |
| 38 | 303NK35040 | MOUNT PULSE DETECTION | | | | | 1 | |
| 39 | M2104260 | EDGING,EDS-0607U(KITAGAWA) | | | | | 3 | |
| 40 | 303NK46050 | WIRE PH PI | | | | | 1 | |
| 41 | 303NK35280 | GUIDE WIRE B | | | | | 1 | |
| 42 | 7YZM410002++H01 | ACCESS.BAND | | | | | 1 | |
| 43 | 303NK02030 | MOUNT PWB | | | | | 1 | |
| 44 | 303NK46060 | WIRE PH TANK SW | | | | | 1 | |
| 45 | 303NK46010 | WIRE PH IF | | | | | 1 | |
| 46 | 303RW35010 | MOUNT DRIVE B | | | | | 1 | |
| 47 | 7YZM420003++H01 | ACCESS.BAND | | | | | 1 | |

**KYOCERA Document Solutions
Europe B.V.**

Bloemlaan 4, 2132 NP Hoofddorp, The Netherlands
 Phone: +31(0)20-654-0000
 Fax: +31(0)20-653-1256

**KYOCERA Document Solutions
Nederland B.V.**

Beechavenue 25, 1119 RA Schiphol-Rijk, The Netherlands
 Phone: +31-20-5877200
 Fax: +31-20-5877260

**KYOCERA Document Solutions
(U.K.) Limited**

Eldon Court, 75-77 London Road,
 Reading, Berkshire RG1 5BS, United Kingdom
 Phone: +44-118-931-1500
 Fax: +44-118-931-1108

**KYOCERA Document Solutions
Italia S.p.A.**

Via Monfalcone 15, 20132, Milano, Italy,
 Phone: +39-02-921791
 Fax: +39-02-92179-603

**KYOCERA Document Solutions
Belgium N.V.**

Sint-Martinusweg 199-201 1930 Zaventem, Belgium
 Phone: +32-2-7209270
 Fax: +32-2-7208748

**KYOCERA Document Solutions
France S.A.S.**

Espace Technologique de St Aubin Route de l'Orme
 91195 Gif-sur-Yvette CEDEX, France
 Phone: +33-1-69852600
 Fax: +33-1-69853409

**KYOCERA Document Solutions
Espana, S.A.**

Edificio Kyocera, Avda. de Manacor No.2, 28290
 Las Matas (Madrid), Spain
 Phone: +34-91-6318392
 Fax: +34-91-6318219

**KYOCERA Document Solutions
Finland Oy**

Atomitie 5C, 00370 Helsinki, Finland
 Phone: +358-9-47805200
 Fax: +358-9-47805212

**KYOCERA Document Solutions
Europe B.V. Amsterdam (NL) Zürich Branch**

Hohlstrasse 614, 8048 Zürich, Switzerland
 Phone: +41-44-9084949
 Fax: +41-44-9084950

**KYOCERA Bilgitas Document Solutions
Turkey A.S.**

Altunizade Mah. Prof. Fahrettin Kerim Gökay Cad. No:45
 34662 ÜSKÜDAR İSTANBUL, TURKEY
 Phone: +90-216-339-0020
 Fax: +90-216-339-0070

**KYOCERA Document Solutions
Deutschland GmbH**

Otto-Hahn-Strasse 12, 40670 Meerbusch, Germany
 Phone: +49-2159-9180
 Fax: +49-2159-918100

**KYOCERA Document Solutions
Austria GmbH**

Wienerbergstraße 11, Turm A, 18. OG, 1100 Wien,
 Austria
 Phone: +43-1-863380
 Fax: +43-1-86338-400

**KYOCERA Document Solutions
Nordic AB**

Borgarfjordsgatan 11, 164 40 Kista, Sweden
 Phone: +46-8-546-550-00
 Fax: +46-8-546-550-10

**KYOCERA Document Solutions
Norge Nuf**

Olaf Helsetsv. 6, 0619 Oslo, Norway
 Phone: +47-22-62-73-00
 Fax: +47-22-62-72-00

**KYOCERA Document Solutions
Danmark A/S**

Ejby Industrivej 60, DK-2600 Glostrup, Denmark
 Phone: +45-70223880
 Fax: +45-45765850

**KYOCERA Document Solutions
Portugal Lda.**

Rua do Centro Cultural, 41 (Alvalade) 1700-106 Lisboa,
 Portugal
 Phone: +351-21-843-6780
 Fax: +351-21-849-3312

**KYOCERA Document Solutions
South Africa (Pty) Ltd.**

KYOCERA House, Hertford Office Park,
 90 Bekker Road (Cnr. Allandale), Midrand, South Africa
 Phone: +27-11-540-2600
 Fax: +27-11-466-3050

**KYOCERA Document Solutions
Russia LLC**

Building 2, 51/4, Schepkina St., 129110, Moscow,
 Russia
 Phone: +7(495)741-0004
 Fax: +7(495)741-0018

KYOCERA Document Solutions Middle East

Dubai Internet City, Bldg. 17,
 Office 157 P.O. Box 500817, Dubai, United Arab
 Emirates
 Phone: +971-4-4330412
 Fax: +971-4-4231944

**KYOCERA Document Solutions
Czech, s.r.o.**

Harfa Office Park, Českomoravská 2420/15, Praha 9
 Phone: +420-222-562-246

KYOCERA Document Solutions America, Inc.**Headquarters**

225 Sand Road,
Fairfield, New Jersey 07004-0008, USA
Phone: +1-973-808-8444
Fax: +1-973-882-6000

Latin America

8240 NW 52nd Terrace, Suite 301
Miami, Florida 33166, USA
Phone: +1-305-421-6640

**KYOCERA Document Solutions
Canada, Ltd.**

6120 Kestrel Rd., Mississauga, ON L5T 1S8,
Canada
Phone: +1-905-670-4425
Fax: +1-905-670-8116

**KYOCERA Document Solutions
Mexico, S.A. de C.V.**

Calle Arquimedes No. 130, 4 Piso, Colonia Polanco
Chapultepec, Delegacion Miguel Hidalgo,
Ciudad de Mexico, C.P. 11560
Phone: +52-555-383-2741
Fax: +52-555-383-7804

**KYOCERA Document Solutions
Brazil, Ltda.**

Alameda África, 545, Pólo Empresarial Consbrás,
Tamboré, Santana de Parnaíba, State of São Paulo,
CEP 06543-306, Brazil
Phone: +55-11-2424-5353
Fax: +55-11-2424-5304

**KYOCERA Document Solutions
Chile SpA**

Jose Ananias 505, Macul. Santiago, Chile
Phone: +56-2-2670-1900
Fax: +56-2-2350-7150

**KYOCERA Document Solutions
Australia Pty. Ltd.**

Level 3, 6-10 Talavera Road North Ryde N.S.W, 2113,
Australia
Phone: +61-2-9888-9999
Fax: +61-2-9888-9588

**KYOCERA Document Solutions
New Zealand Ltd.**

Ground Floor, 19 Byron Avenue, Takapuna, Auckland,
New Zealand
Phone: +64-9-415-4517
Fax: +64-9-415-4597

KYOCERA Document Solutions Asia Limited

13/F.,Mita Centre, 552-566, Castle Peak Road, Tsuen
Wan, New Territories, Hong Kong
Phone: +852-2496-5678
Fax: +852-2610-2063

**KYOCERA Document Solutions
(China) Corporation**

8F, No. 288 Nanjing Road West, Huangpu District,
Shanghai,200003, China
Phone: +86-21-5301-1777
Fax: +86-21-5302-8300

**KYOCERA Document Solutions
(Thailand) Corp., Ltd.**

335 Ratchadapisek Road, Wongsawang, Bangsue,
Bangkok 10800,
Thailand
Phone: +66-2-586-0333
Fax: +66-2-586-0278

京セラドキュメントソリューションズ株式会社
京セラドキュメントソリューションズジャパン株式会社

**KYOCERA Document Solutions
Singapore Pte. Ltd.**

12 Tai Seng Street #04-01A,
Luxasia Building, Singapore 534118
Phone: +65-6741-8733
Fax: +65-6748-3788

**KYOCERA Document Solutions
Hong Kong Limited**

16/F.,Mita Centre, 552-566, Castle Peak Road, Tsuen
Wan, New Territories, Hong Kong
Phone: +852-3582-4000
Fax: +852-3185-1399

**KYOCERA Document Solutions
Taiwan Corporation**

6F., No.37, Sec. 3, Minquan E. Rd.,
Zhongshan Dist., Taipei 104, Taiwan R.O.C.
Phone: +886-2-2507-6709
Fax: +886-2-2507-8432

**KYOCERA Document Solutions
Korea Co., Ltd.**

#10F Daewoo Foundation Bldg 18, Toegye-ro, Jung-gu,
Seoul, Korea
Phone: +822-6933-4050
Fax: +822-747-0084

**KYOCERA Document Solutions
India Private Limited**

First Floor, Block-A, First India Place, Sushant Lok
Phase-1, M.G. Road, Gurugram-12200 2 (Haryana),
India
Phone: +91-124-4671000
Fax: +91-124-4671001

KYOCERA Document Solutions Inc.

2-28, 1-Chome, Tamatsukuri, Chuo-ku
Osaka 540-8585, Japan
Phone: +81-6-6764-3555
<https://www.kyoceradocumentsolutions.com>