



TASKalfa 6500i

TASKalfa 8000i

PARTS LIST

Published in June 2013
2LFPL074
Rev.4

CONTENTS

FIG. 1 Covers 1	2	FIG. 25 Drive Section 2	54
FIG. 2 Covers 2	4	FIG. 26 Cooling Section	56
FIG. 3 Covers 3	6	FIG. 27 Exit Section	58
FIG. 4 Frames	8	FIG. 28 Job Separator Section	60
FIG. 5 Paper Cassettes	10	FIG. 29 Bridge Section 1	62
FIG. 6 Paper Deck Covers	12	FIG. 30 Bridge Section 2	64
FIG. 7 Paper Deck Frames	14	FIG. 31 Bridge Section 3	66
FIG. 8 Paper Deck Cassettes	16	FIG. 32 Electrical Components 1	68
FIG. 9 Paper Deck Feed Section 1	18	FIG. 33 Electrical Components 2	70
FIG. 10 Paper Deck Feed Section 2	20	FIG. 34 Operation Panel Section	72
FIG. 11 Paper Deck Feed Section 3	22	FIG. 35 Operation Arm Section	74
FIG. 12 Paper Deck Drive Section	24	FIG. 36 Covers(DP)	76
FIG. 13 Paper Deck Electrical Components	26	FIG. 37 Frames(DP)	78
FIG. 14 Paper Feed Section 1	28	FIG. 38 Table Assy(DP)	80
FIG. 15 Paper Feed Section 2	30	FIG. 39 Paper Conveying Section(DP)	82
FIG. 16 Paper Conveying Section 1-1	32	FIG. 40 Paper Feed Section 1(DP)	84
FIG. 16 Paper Conveying Section 1-2	34	FIG. 41 Paper Feed Section 2(DP)	86
FIG. 16 Paper Conveying Section 1-3	36	FIG. 42 Drive Section & Electrical Components(DP)	88
FIG. 17 Paper Conveying Section 2	38	FIG. 43 Options 1	90
FIG. 18 Paper Conveying Section 3	40	FIG. 44 Options 2	92
FIG. 19 Scanner & Laser Scanner Section	42	FIG. 45 Maintenance Kits	94
FIG. 20 Image Formation & Developer Section	44		
FIG. 21 Inner Section 1	46		
FIG. 22 Inner Section 2	48		
FIG. 23 Fuser Section	50		
FIG. 24 Drive Section 1	52		
		• INDEX	95

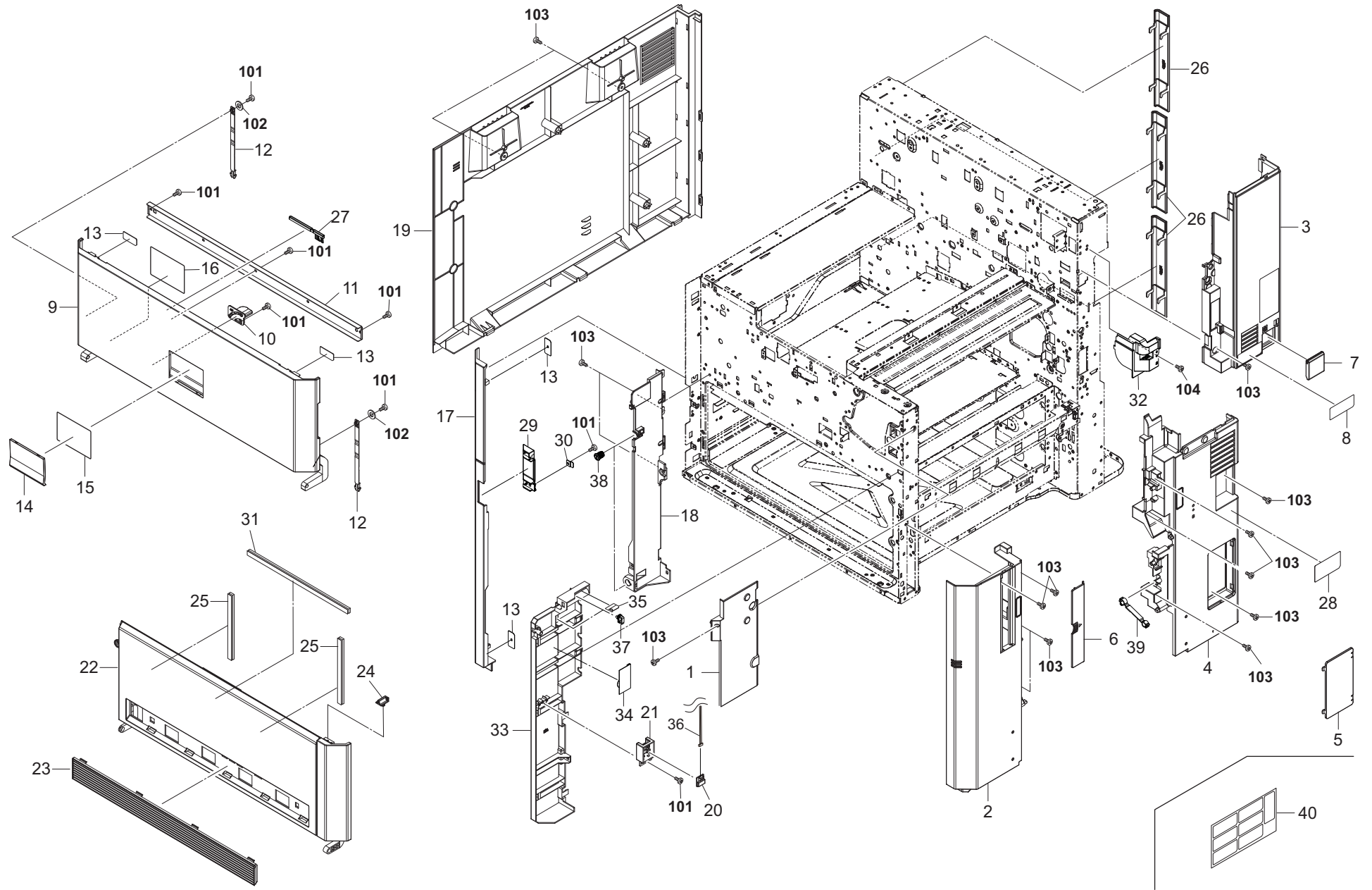


FIG. 1 Covers 1

2LG/2LF-3

Ref. No.	Part.No.	Alternative.	Description	Notes	Quantity		
					120	230	240
⊙ 1	302K904240	2K904240	COVER INNER FEED F		1	1	1
⊙ 2	302K904090	2K904090	COVER RIGHT LOWER F		1	1	1
⊙ 3	302LC04062	2LC04062	COVER RIGHT MIDDLE R		1	1	1
⊙ 4	302K904101	2K904101	COVER RIGHT LOWER R		1	1	1
⊙ 5	303NF04121	3NF04121	COVER INTERFACE		1	1	1
⊙ 6	302LC04280	2LC04280	COVER HANDLE		1	1	1
⊙ 7	302LC04290	2LC04290	COVER MAIN SWITCH		1	1	1
8	302LC34050	2LC34050	LABEL SW CAUTION EN		1	1	1
⊙ 9	302K904010	2K904010	COVER FRONT UPPER		1	1	1
10	302K904320	2K904320	STOPPER CONTAINER		1	1	1
11	302K904510	2K904510	PLATE FRONT COVER		1	1	1
12	302K904560	2K904560	STRAP FRONT COVER		2	2	2
13	2FB04270	2FB04270	PLATE MAGNET		4	4	4
14	302LC04271	2LC04271	EMBLEM		1	1	1
15	302LF34010	2LF34010	SHEET EMBLEM 8000	80 ppm	1	1	1
15	302LG34010	2LG34010	SHEET EMBLEM 6500	65 ppm	1	1	1
16	302LF34020	2LF34020	LABEL TONER OPERATION		1	1	1
⊙ 17	302K904040	2K904040	COVER WASTE BOTTLE		1	1	1
⊙ 18	302K904250	2K904250	COVER INNER CASSETTE L		1	1	1
⊙ 19	302K904071	2K904071	COVER LEFT LOWER		1	1	1
⊙ 20	302H094300	2H094300	PARTS,HUMIDITY SENSOR,SP		1	1	1
⊙ 21	302LC02710	2LC02710	COVER HUMIDITY SENSOR		1	1	1
⊙ 22	302K904020	2K904020	COVER FRONT MIDDLE		1	1	1
⊙ 23	302K904170	2K904170	DUCT FRONT COVER		1	1	1
24	302K904330	2K904330	LEVER FRONT MIDDLE COVER		1	1	1
25	302LF04090	2LF04090	SPONGE FRONT COVER A		2	2	2
⊙ 26	302K904390	2K904390	LID RIGHT COVER		3	3	3
27	2BL16220	5AAVBRUSH036	BRUSH CLEANER		1	1	1
28	302K934270	2K934270	LABEL POWER CABLE CAUTION EN		1		
29	302K904650	2K904650	LEVER BOTTLE COVER		1	1	1
30	2BL06890	2BL06890	PLATE BYPASS HOLD		1	1	1
31	302LF04100	2LF04100	SPONGE FRONT COVER B		1	1	1
32	302K939520	2K939520	COVER WIRE FUSER		1	1	1
33	302K904261	2K904261	COVER INNER CASSETTE R		1	1	1
34	302K902980	2K902980	SHEET HUMIDITY SENSOR		1	1	1
35	302LC06210	2LC06210	GUIDE WIRE FEED LOW		1	1	1
36	302LF46230	2LF46230	WIRE FRONT LOW		1	1	1
37	7YZM610007++H01	YZ023340	ACCESS.SADDLE		2	2	2
38	302K904620	2K904620	MAGNET CATCH		1	1	1
39	303NJ06050	3NJ06050	STRAP		1	1	1
40	302LC34160	2LC34160	LABEL SW CAUTION SET A		1	1	

Ref. No.	Part.No.	Alternative.	Description	Notes	Quantity		
					120	230	240
101	7BB200308H	BB105660	+BIND T.T P SCREW 3X8				
102	7BC00030A080H01	BC046150	WASHER M3X10X0.8T				
103	7BB180408H	BB111210	+BIND T.T S SCREW 4X8(BLACK)				
104	7BB700308H	BB105600	+BIND T.T S SCREW 3X8 SR				

- Parts with "⊙" indicate regular maintenance parts.
- Parts with Ref.No. indicate maintenance parts and the ones without it indicate out of the above.

- Parts with "*" are component parts or sub-assemblies of the assembly appearing immediately above them.
- Parts with "• •" are component parts or sub-assembly with "•" appearing immediately above them.

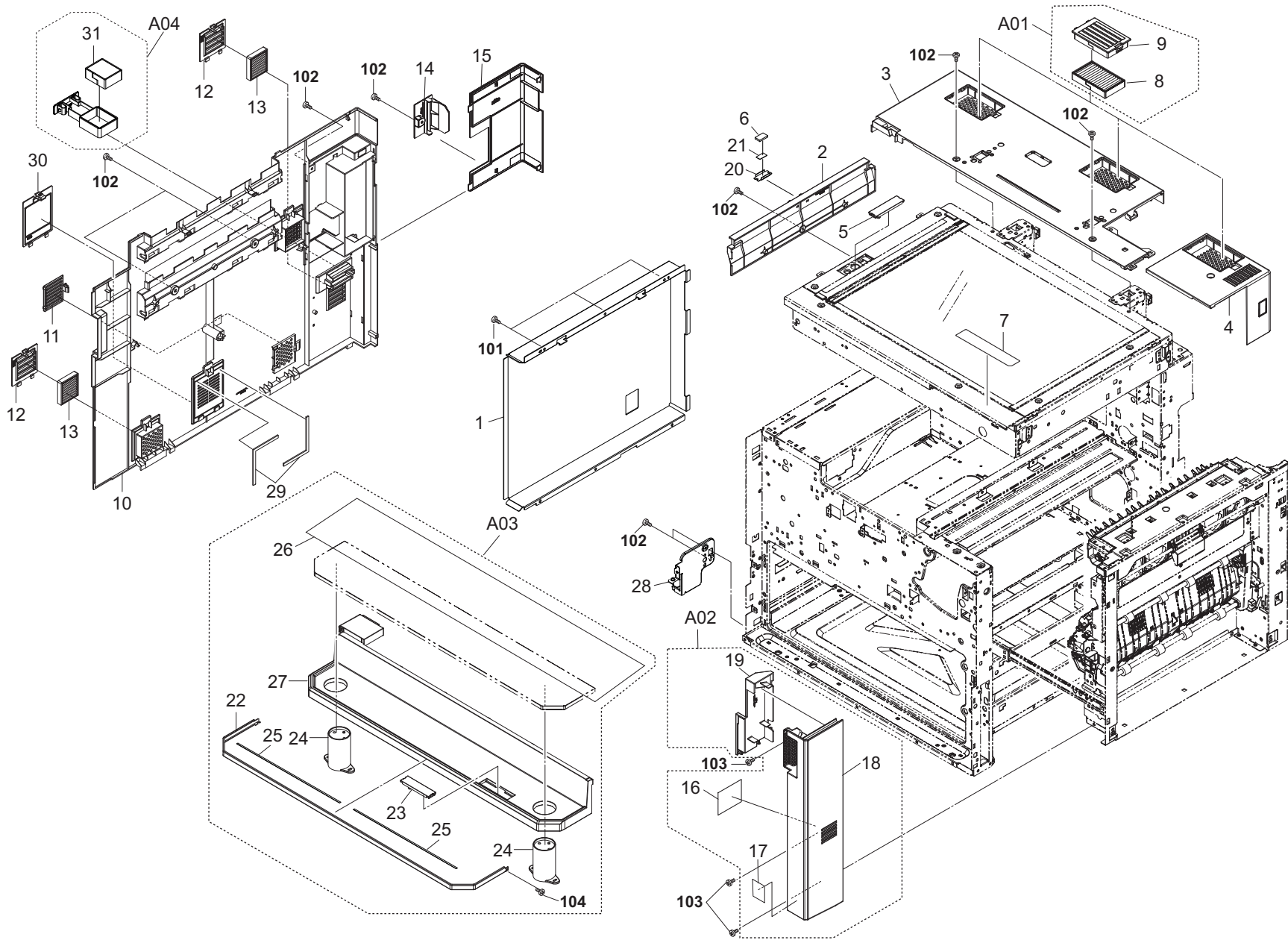


FIG. 2 Covers 2

2LG/2LF-3

Ref. No.	Part.No.	Alternative.	Description	Notes	Quantity		
					120	230	240
1	302K904490	2K904490	CASE WASTE BOTTLE		1	1	1
2	302K904050	2K904050	COVER ISU LEFT INNER		1	1	1
3	302K904120	2K904120	COVER ISU REAR		1	1	1
4	302K904571	2K904571	COVER OPERATION MOUNT C		1	1	1
5	302LC04340	2LC04340	COVER ISU LEFT SUB		1	1	1
6	302GR04370	2GR04370	MAGNET CLIP DISH		1	1	1
7	302LC34031	2LC34031	LABEL OPERATION CAUTION B		1	1	1
A01	302K994101	2K994101	PARTS FILTER EXIT UNIT SP		3	3	3
8	*302LF33660	2LF33660	FILTER TOP		3	3	3
9	*302K933181	2K933181	COVER FILTER EXIT		3	3	3
10	302LF04040	2LF04040	COVER LEFT UPPER		1	1	1
11	302LF94300	2LF94300	PARTS FILTER FAN ASSY(Z) SP		1	1	1
12	302LC04110	2LC04110	LID LEFT COVER REAR		2	2	2
13	302LC33370	2LC33370	FILTER LEFT SIDE		2	2	2
14	302K904150	2K904150	LID CONTROLLER		1	1	1
15	302K904140	2K904140	COVER CONTROLLER		1	1	1
A02	302K994970	2K994970	PARTS COVER RIGHT FRONT SP		1	1	1
16	*302H722870	2H722870	FILTER DU		1	1	1
17	*302G634070	2G634070	LABEL ENERGY STAR		1	1	1
18	*302K929390	2K929390	COVER RIGHT FRONT		1	1	1
19	*302K929670	2K929670	COVER INNER CONVEYING F		1	1	1
20	303NB24210	3NB24210	HOLDER MAGNET		1	1	1
21	302GR04380	2GR04380	SEAL MAGNET		1	1	1
A03	302K994A70	2K994A70	PARTS GLASS TABLE ASSY SP		1	1	1
22	*302K904520	2K904520	COVER GLASS TABLE		1	1	1
23	*302LC04340	2LC04340	COVER ISU LEFT SUB		1	1	1
24	*302K904360	2K904360	MOUNT TABLE GLASS		2	2	2
25	*302FZ14740	2FZ14740	TAPE SEPARATER DLP		2	2	2
26	*302KP04480	2KP04480	SHEET EMBLEM		1	1	1
27	*302K904031	2K904031	COVER FRONT TOP		1	1	1
28	302K904340	2K904340	MOUNT WASTE BOTTLE COVER		1	1	1
29	302LF04050	2LF04050	SEAL LSU DUCT		2	2	2
30	302LC94130	2LC94130	PARTS FILTER BELT UNIT(V) SP		1	1	1
A04	302K994750	2K994750	PARTS FILTER TONER UNIT(M) SP		1	1	1
31	*302LC33370	2LC33370	FILTER LEFT SIDE		1	1	1

Ref. No.	Part.No.	Alternative.	Description	Notes	Quantity		
					120	230	240
101	7BB700408H	BB105640	+BIND T.T S SCREW 4X8 SR				
102	7BB180408H	BB111210	+BIND T.T S SCREW 4X8(BLACK)				
103	7BB780410H	BB111220	+BIND T.T S SCREW 4X10 SR(BLACK)				
104	7BB700308H	BB105600	+BIND T.T S SCREW 3X8 SR				

- Parts with "⊙" indicate regular maintenance parts.
- Parts with Ref.No. indicate maintenance parts and the ones without it indicate out of the above.

- Parts with "*" are component parts or sub-assemblies of the assembly appearing immediately above them.
- Parts with "• •" are component parts or sub-assembly with "•" appearing immediately above them.

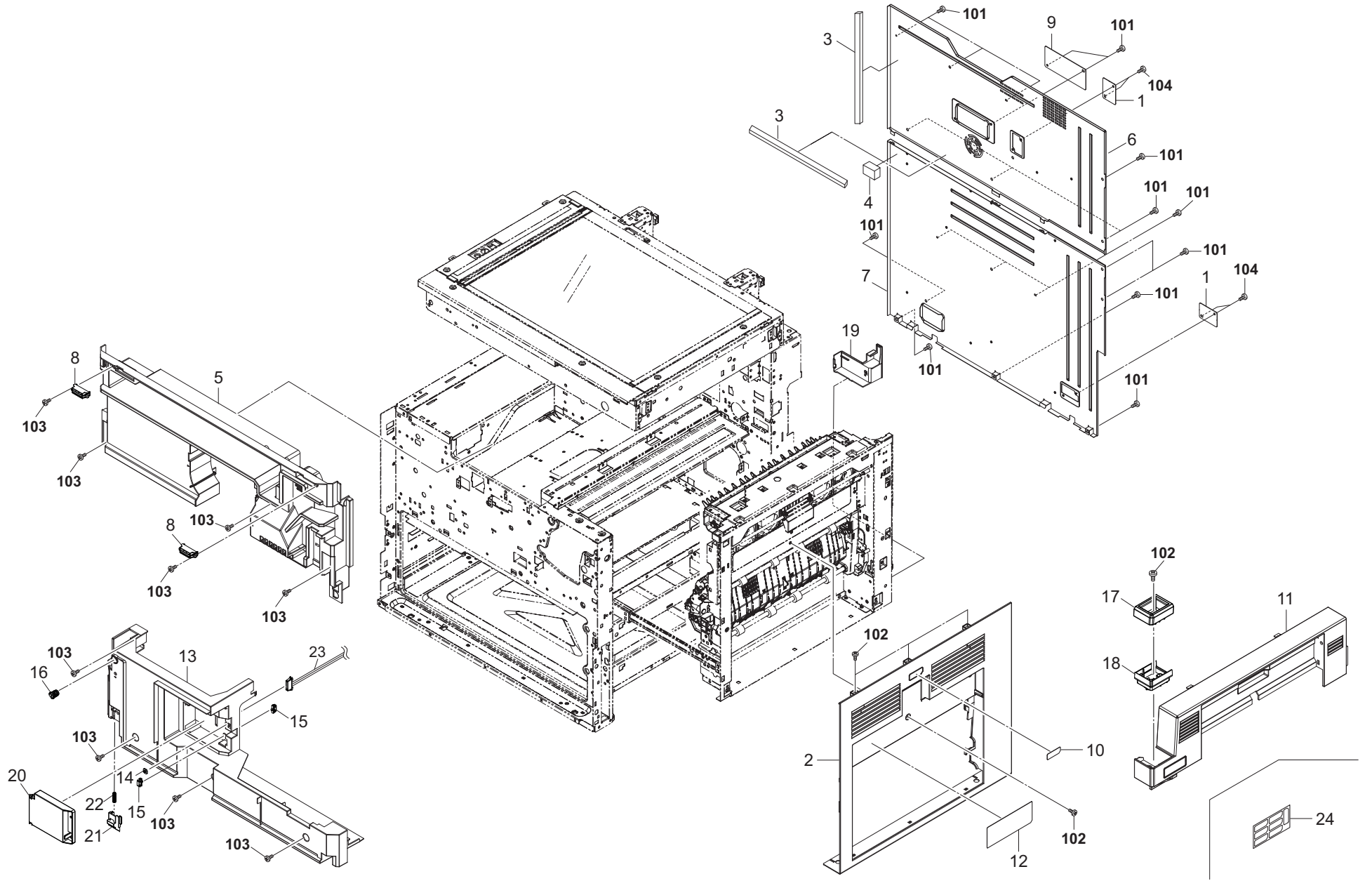


FIG. 3 Covers 3

2LG/2LF-3

Ref. No.	Part.No.	Alternative.	Description	Notes	Quantity		
					120	230	240
1	2C912430	2C912430	LID KMAS		2	2	2
2	302K929201	2K929201	COVER RIGHT		1	1	1
3	7ZG65TSV+200H01	ZG045190	SHIELD GASKET		2	2	2
4	7ZG65TA++020H01	ZG129240	SHIELD GASKET		1	1	1
5	302LF04010	2LF04010	COVER INNER UPPER		1	1	1
6	302LF04072	2LF04072	COVER REAR UPPER		1	1	1
7	302LF04080	2LF04080	COVER REAR LOWER		1	1	1
8	302LF04130	2LF04130	MAGNET CATCH		2	2	2
9	302LC04470	2LC04470	LID FAX BOARD		1	1	1
10	302LC34110	2LC34110	LABEL MPF PUSH		1	1	1
11	302K904080	2K904080	COVER RIGHT UPPER		1	1	1
12	302LC34070	2LC34070	LABEL MPF CAUTION B		1	1	1
13	302LF04020	2LF04020	COVER INNER LOWER		1	1	1
14	5MMS111SL002	2BY20050	NUT FUSER A /FS-1800/3800 A4		1	1	1
15	7YZM610008++H01	YZ037940	ACCESS.SADDLE		2	2	2
16	302K904620	2K904620	MAGNET CATCH		1	1	1
17	302K904210	2K904210	HOLDER CLIP A		1	1	1
18	302K904220	2K904220	HOLDER CLIP B		1	1	1
19	302K929590	2K929590	COVER INNER CONVEYING B		1	1	1
20	302LC03500	2LC03500	COVER CONNECTOR		1	1	1
21	302K903081	2K903081	LEVER WASTE BOTTLE		1	1	1
22	2BL21340	2BL21340	SPRING CHANGE PULLEY		1	1	1
23	302LF46200	2LF46200	WIRE RETAINER JOINT		1	1	1
24	302LC34180	2LC34180	LABEL MPF SET A		1	1	1

Ref. No.	Part.No.	Alternative.	Description	Notes	Quantity		
					120	230	240
101	7BB782308H	BB111300	+TP-FLAT T.T S SCREW 3X8 SR(BLACK)				
102	7BB180408H	BB111210	+BIND T.T S SCREW 4X8(BLACK)				
103	7BB700408H	BB105640	+BIND T.T S SCREW 4X8 SR				
104	7BB700308H	BB105600	+BIND T.T S SCREW 3X8 SR				

- Parts with "⊙" indicate regular maintenance parts.
- Parts with Ref.No. indicate maintenance parts and the ones without it indicate out of the above.

- Parts with "*" are component parts or sub-assemblies of the assembly appearing immediately above them.
- Parts with "• •" are component parts or sub-assembly with "•" appearing immediately above them.

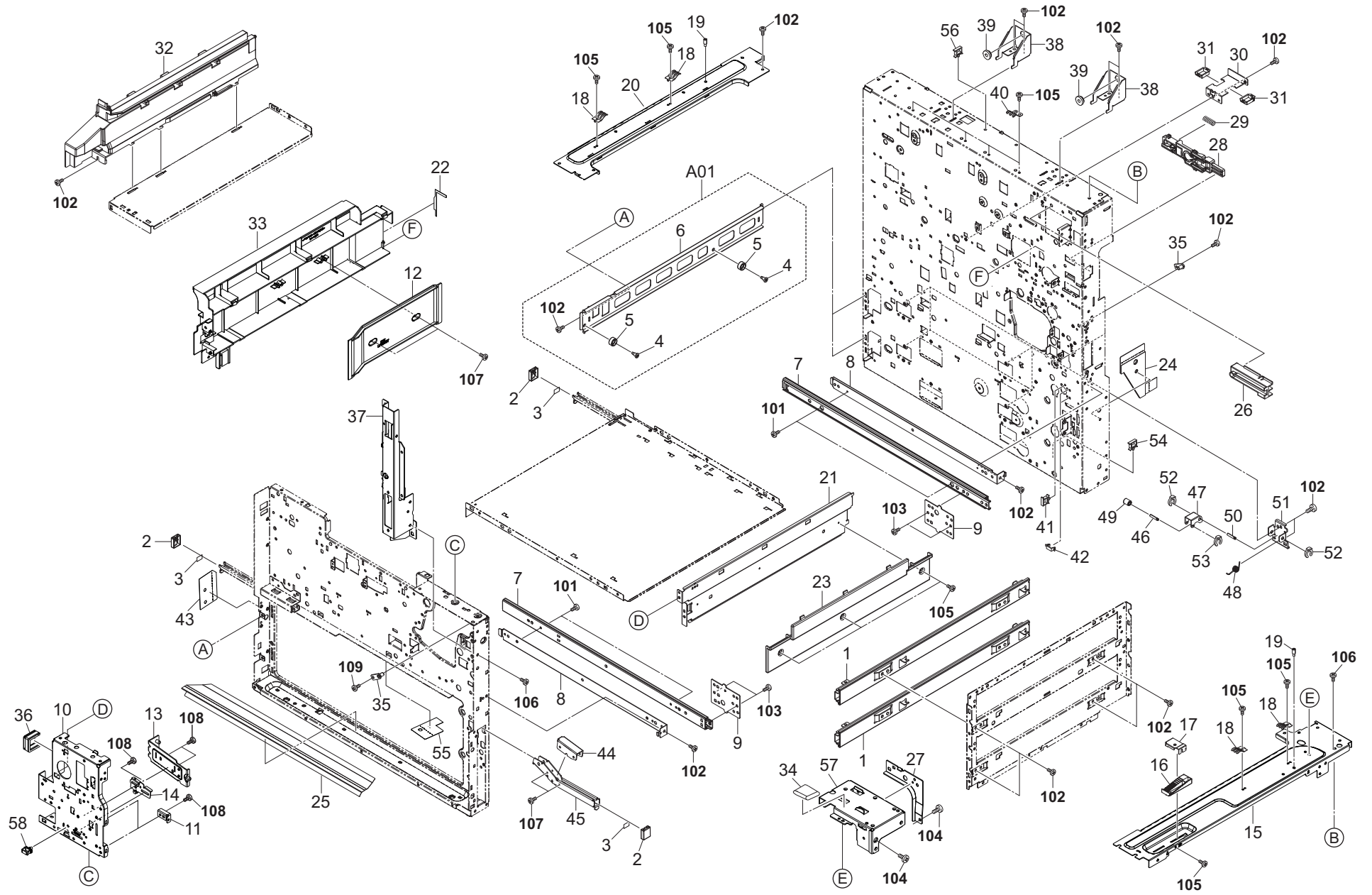


FIG. 4 Frames

2LG/2LF-3

Ref. No.	Part.No.	Alternative.	Description	Notes	Quantity		
					120	230	240
1	302K909650	2K909650	SLIDER CASSETTE 500		2	2	2
2	302FZ02580	2FZ02580	CAP HANDLE		3	3	3
3	302FZ03110	2FZ03110	SEAL HANDLE		3	3	3
⊙ A01	302K994C90	2K994C90	PARTS STAY CASSETTE RAIL LEFT ASSY SP		2	2	2
4	*2FB16270	2FB16270	PIN DRAWER A		4	4	4
5	*302K909620	2K909620	PULLEY CASSETTE		4	4	4
6	*302K902131	2K902131	RAIL CASSETTE LEFT		2	2	2
7	302K924300	2K924300	SLIDER CONVEYING		2	2	2
8	302K924311	2K924311	MOUNT SLIDER CONVEYING		2	2	2
9	302LF29050	2LF29050	MOUNT CONVEYING		2	2	2
10	302K902150	2K902150	FRAME FRONT FUSER A		1	1	1
11	302K902940	2K902940	NUT ADJUST M		2	2	2
12	302LF33480	2LF33480	DUCT CONTAINER RIGHT		1	1	1
13	302K902260	2K902260	MOUNT FUSER ADJUST		1	1	1
14	302K902270	2K902270	PLATE FUSER ADJUST		1	1	1
15	302K902220	2K902220	STAY UPPER TOP RIGHT		1	1	1
16	302K902950	2K902950	ADJUSTER SCANNER		1	1	1
17	302K902960	2K902960	MOUNT RUBBER SCANNER		1	1	1
18	302H017310	2H017310	GROUND SCANNER REAR		4	4	4
19	302FB16320	2FB16320	PIN ROLLER RELEASE LEVER		2	2	2
20	302K902230	2K902230	STAY UPPER TOP LEFT		1	1	1
21	302K902170	2K902170	FRAME FUSER UNIT		1	1	1
22	302LF33490	2LF33490	SEAL DUCT CONTAINER R		1	1	1
23	302LF33600	2LF33600	PARTITION FIXING HEAT		1	1	1
24	302K902990	2K902990	SHEET COVER PWB FEED		1	1	1
25	302K902571	2K902571	FILM BASE CASSETTE		1	1	1
26	302K902850	2K902850	RAIL EXIT REAR		1	1	1
27	302K902920	2K902920	REINFORCEMENT UPPER REAR		1	1	1
28	302K931690	2K931690	LEVER RELEASE FUSER DRIVE		1	1	1
29	302K931980	2K931980	SPRING LEVER RELEASE		1	1	1
30	302K939080	2K939080	PLATE SHIELD BOX		1	1	1
31	7YZM210003++H01	YZ037970	ACCESS.EDGING		2	2	2
32	302LF03730	2LF03730	RAIL CONTAINER L		1	1	1
33	302LF03720	2LF03720	RAIL CONTAINER R		1	1	1
34	7ZGSSTG58014H01	ZG128680	SHIELD GASKET		1	1	1
35	302K924450	2K924450	PIN HOOK		2	2	2
36	302LF33530	2LF33530	SEAL DUCT EXIT		1	1	1
37	302K902161	2K902161	FRAME FRONT FUSER B		1	1	1
38	302K902250	2K902250	PLATE MOUNT DP		2	2	2
39	2AV12280	2AV12280	BASE RUBBER,SCANNER SECTION		2	2	2
40	302H017380	2H017380	GROUND BASE SCANNER		4	4	4
41	7YZM610007++H01	YZ023340	ACCESS.SADDLE		1	1	1
42	302K931080	2K931080	WIRE STOPPER		2	2	2
43	302LF04060	2LF04060	SHEET MOUNT FRONT COVER		1	1	1
44	302LC02810	2LC02810	PROTECTOR PLATE HANDLE		1	1	1
45	302LC02561	2LC02561	HANDLE RIGHT		1	1	1
46	302K909630	2K909630	SHAFT HOOK PULLEY		4	4	4
47	302K909640	2K909640	LEVER CASSETTE HOOK		4	4	4

Ref. No.	Part.No.	Alternative.	Description	Notes	Quantity		
					120	230	240
48	302LH02050	2LH02050	SPRING CASSETTE HOOK		4	4	4
49	303LW24060	3LW24060	PULLEY EJECT		4	4	4
50	303NF02280	3NF02280	SHAFT HOOK FULCRUM		4	4	4
51	303NF02301	3NF02301	HOLDER DECK HOOK		4	4	4
52	5MVX111DN003	2A806250	RING STOPPER /A-49 FEED A4		8	8	8
53	5MVX111DN007	2BT11070	STOPPER 3 /2BT1107 A4		4	4	4
54	7YZM610008++H01	YZ037940	ACCESS.SADDLE		1	1	1
55	302LF02510	2LF02510	SHEET WIRE FRONT		1	1	1
56	7YZM610003++H01	YZ010250	ACCESS SADDLE		1	1	1
57	302K905530	2K905530	RETAINER OPERATION ARM		1	1	1
58	7YZM610002++H01	YZ010240	ACCESS SADDLE		1	1	1
101	7BB100306H1	BB105820	+BIND T.T S SCREW 3X6				
102	7BB700408H	BB105640	+BIND T.T S SCREW 4X8 SR				
103	7BB607406H	BB107150	+TP-CUP M SCREW 4X6 R				
104	7BB700412H	BB106830	+BIND T.T S SCREW 4X12 SR				
105	7BB700308H	BB105600	+BIND T.T S SCREW 3X8 SR				
106	7BB200410H	BB105700	+BIND T.T P SCREW 4X10				
107	7BB200308H	BB105660	+BIND T.T P SCREW 3X8				
108	7BB700306H	BB105590	+BIND T.T S SCREW 3X6 SR				
109	7BB200408H	BB106960	+BIND T.T P SCREW 4X8				

- Parts with "⊙" indicate regular maintenance parts.
- Parts with Ref.No. indicate maintenance parts and the ones without it indicate out of the above.

- Parts with "*" are component parts or sub-assemblies of the assembly appearing immediately above them.
- Parts with "••" are component parts or sub-assembly with "••" appearing immediately above them.

- | | | | | | | | |
|---|----|---|----|---|----|---|----|
| ◇ | 46 | ◇ | 46 | ◇ | 46 | ◇ | 46 |
| ◇ | 47 | ◇ | 47 | ◇ | 47 | ◇ | 47 |
| ◇ | 48 | ◇ | 48 | ◇ | 48 | ◇ | 48 |
| ◇ | 49 | ◇ | 49 | ◇ | 49 | ◇ | 49 |
| ◇ | 50 | ◇ | 50 | ◇ | 50 | ◇ | 50 |
| ◇ | 51 | ◇ | 51 | ◇ | 51 | ◇ | 51 |
| ◇ | 52 | ◇ | 52 | ◇ | 52 | ◇ | 52 |

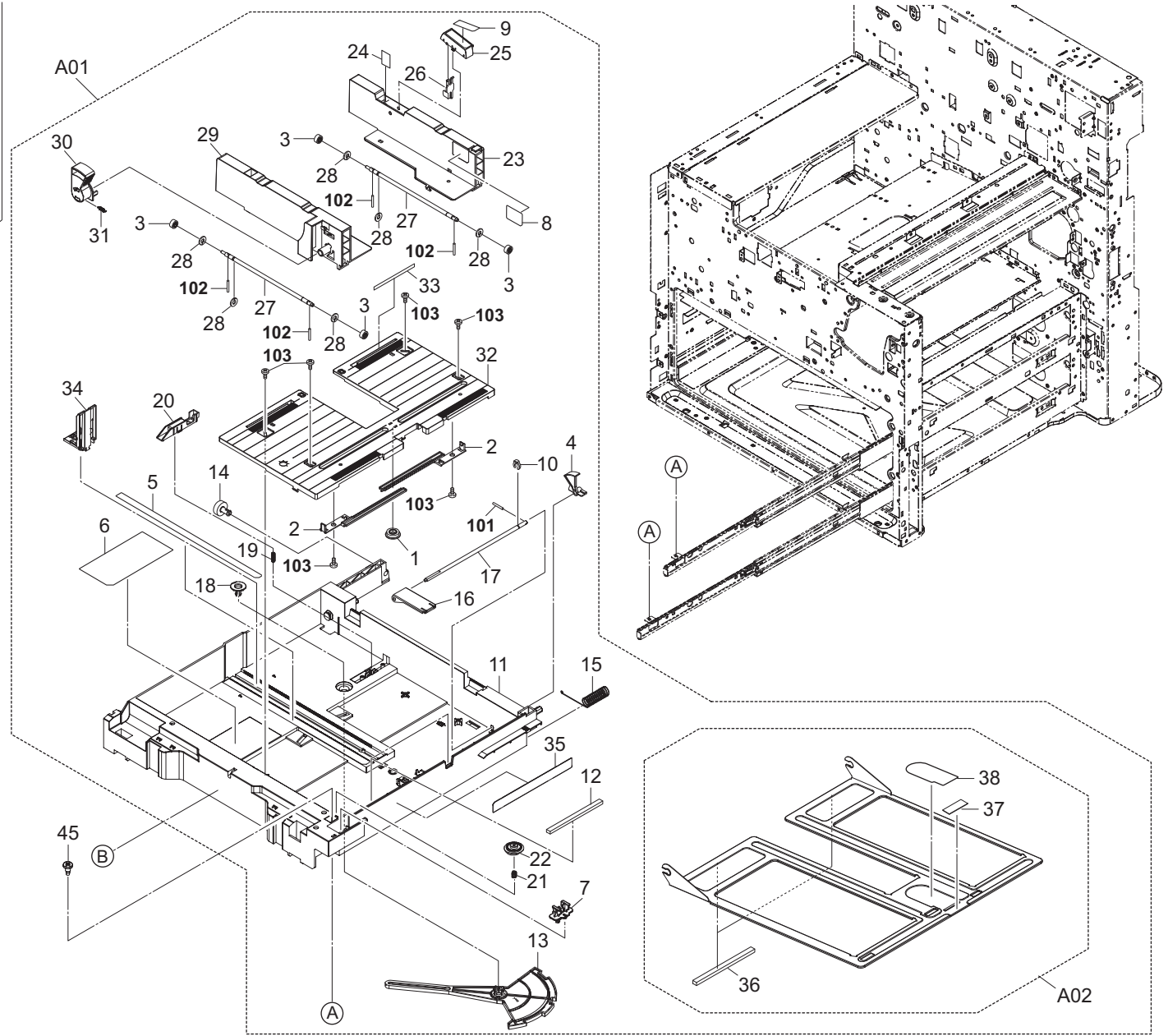
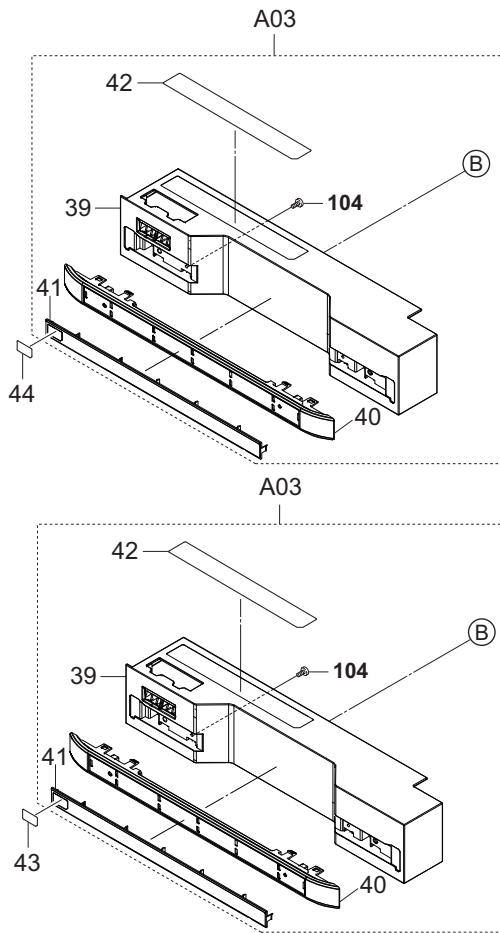


FIG. 5 Paper Cassettes

2LG/2LF-3

Ref. No.	Part.No.	Alternative.	Description	Notes	Quantity		
					120	230	240
⊙ A01	302K993012	2K993012	CT-8705		2	2	2
⊙ 1	*302BM07410	2BM07410	GEAR GUIDE SIDE		2	2	2
⊙ 2	*302K909060	2K909060	RACK CURSOR		4	4	4
⊙ 3	*302K994550	2K994550	PARTS GEAR CURSOR SP		8	8	8
⊙ 4	*302K909270	2K909270	ACTUATOR PAPER LEVEL DETECTION		2	2	2
⊙ 5	*302K934010	2K934010	LABEL PAPER SIZE A		2	2	2
⊙ 6	*302K934021	2K934021	LABEL PAPER SIZE B		2	2	2
⊙ 7	*302GR09991	2GR09991	LIFT LOCK		2	2	2
⊙ 8	*302K934090	2K934090	LABEL CASSETTE PAPER MAX		2	2	2
⊙ 9	*302K934100	2K934100	LABEL CASSETTE CURSOR LOCK		2	2	2
⊙ 10	*5MVX111DN003	2A806250	RING STOPPER /A-49 FEED A4		2	2	2
⊙ 11	*302K909012	2K909012	CASSETTE		2	2	2
⊙ 12	*33907210	33907210	CUSHION,CASSETTE WORK PLATE		4	4	4
⊙ 13	*302K909110	2K909110	PLATE TURN		2	2	2
⊙ 14	*302K909170	2K909170	PULLEY CASSETTE RAIL REAR		2	2	2
⊙ 15	*302K309300	2K309300	SPRING CASSETTE LIFT EARTH		2	2	2
⊙ 16	*302K909090	2K909090	PLATE WORK		2	2	2
⊙ 17	*302K909190	2K909190	SHAFT WORK PLATE		2	2	2
⊙ 18	*302K909140	2K909140	CAP TURN PLATE		2	2	2
⊙ 19	*302H728100	2H728100	SPRING EXIT PULLEY		2	2	2
⊙ 20	*302K909251	2K909251	LEVER SIDE SW		2	2	2
⊙ 21	*302FZ29131	2FZ29131	SPRING DU		2	2	2
⊙ 22	*302K909100	2K909100	CAM CURSOR RAIL		2	2	2
⊙ 23	*302K909040	2K909040	CURSOR REAR		2	2	2
⊙ 24	*302LC09020	2LC09020	FILM CASSETTE B		2	2	2
⊙ 25	*302K909120	2K909120	LEVER CURSOR LOCK REAR		2	2	2
⊙ 26	*302K909151	2K909151	LOCK REAR CURSOR		2	2	2
⊙ 27	*302K909130	2K909130	SHAFT CURSOR GEAR		4	4	4
⊙ 28	*302FB09830	2FB09830	CUT WASHER 4		12	12	12
⊙ 29	*302K909030	2K909030	CURSOR FRONT		2	2	2
⊙ 30	*302K909050	2K909050	LEVER CURSOR		2	2	2
⊙ 31	*303JC02050	3JC02050	SPRING LOOP SOLENOID		2	2	2
⊙ 32	*302K909020	2K909020	RAIL CURSOR		2	2	2
⊙ 33	*302LC09030	2LC09030	FILM CASSETTE C		2	2	2
⊙ 34	*302K909071	2K909071	CURSOR END		2	2	2
⊙ 35	*302K934501	2K934501	LABEL CASSETTE RELEASE		2	2	2
⊙ A02	*302K994C20	2K994C20	PARTS PLATE PAPER BOTTOM UNIT SP		2	2	2
⊙ 36	**33907210	33907210	CUSHION,CASSETTE WORK PLATE		4	4	4
⊙ 37	**302K909260	2K909260	PAD BOTTOM		2	2	2
⊙ 38	**302K934040	2K934040	LABEL SET PAPER		2	2	2
⊙ A03	302K994770	2K994770	PARTS COVER CASSETTE ASSY SP		2	2	2
⊙ 39	*302K904180	2K904180	COVER CASSETTE		2	2	2
⊙ 40	*302K904190	2K904190	HANDLE CASSETTE		2	2	2
⊙ 41	*302K904200	2K904200	EMBLEM CASSETTE		2	2	2
⊙ 42	*302K934030	2K934030	LABEL CASSETTE OPERATION		2	2	2
⊙ 43	302K934050	2K934050	LABEL CASSETTE NUMBER 1		1	1	1
⊙ 44	302K934060	2K934060	LABEL CASSETTE NUMBER 2		1	1	1
⊙ 45	302GR25241	2GR25241	PIN GUIDE CHUTE		2	2	2
⊙ 46	302K934700	2K934700	SHEET CASSETTE PAPER SIZE A	Metric	4	4	4

Ref. No.	Part.No.	Alternative.	Description	Notes	Quantity		
					120	230	240
47	302K934710	2K934710	SHEET CASSETTE PAPER SIZE B	Inch	4	4	4
48	302K934730	2K934730	SHEET CASSETTE PAPER MEDIA KL-A	English	4	4	
49	302K934740	2K934740	SHEET CASSETTE PAPER MEDIA KL-B	Spanish	4	4	
50	302K934750	2K934750	SHEET CASSETTE PAPER MEDIA KL-C	French/ Portuguese (Brazil)	4	4	
51	302K934760	2K934760	SHEET CASSETTE PAPER MEDIA KL-D	German/ Dutch		4	
52	302K934770	2K934770	SHEET CASSETTE PAPER MEDIA KL-E	Italian/ Russian		4	
101	7BP512525B0CH01	BP124910	PARALLEL PIN 2.5X25				
102	7BP512008B0CH01	BP126150	PARALLEL PIN 2.0X8				
103	7BB282308H	BB111240	+TP-FLAT T.T P SCREW 3X8(BLACK)				
104	7BB200308H	BB105660	+BIND T.T P SCREW 3X8				

- Parts with "⊙" indicate regular maintenance parts.
- Parts with Ref.No. indicate maintenance parts and the ones without it indicate out of the above.

- Parts with "*" are component parts or sub-assemblies of the assembly appearing immediately above them.
- Parts with "• •" are component parts or sub-assembly with "•" appearing immediately above them.

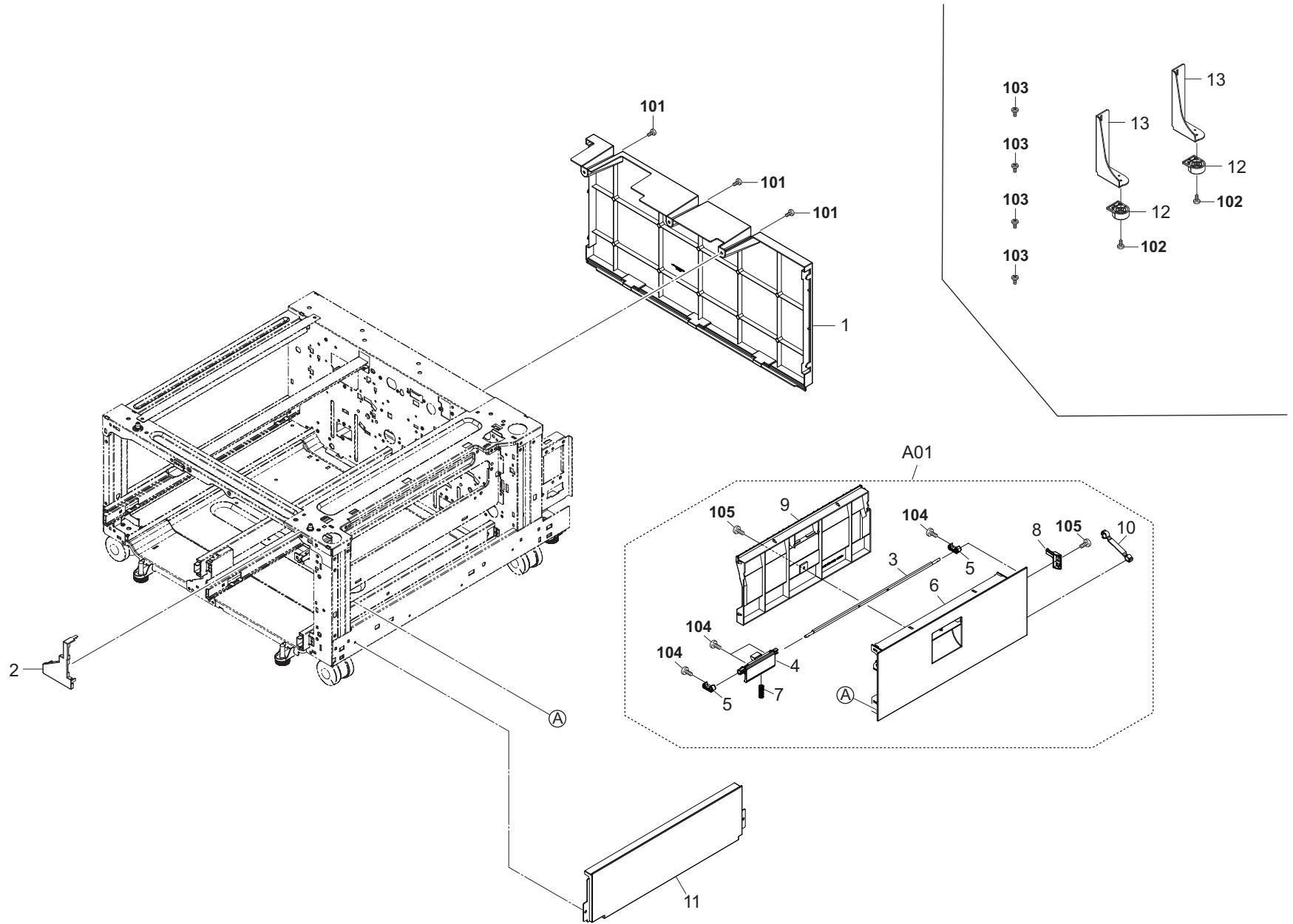


FIG. 6 Paper Deck Covers

2LG/2LF-3

Ref. No.	Part.No.	Alternative.	Description	Notes	Quantity		
					120	230	240
⊙ 1	302K904130	2K904130	COVER DECK REAR		1	1	1
⊙ 2	303NF04130	3NF04130	COVER MOUNT SLIDER		1	1	1
⊙ A01	303NF94030	3NF94030	PARTS VERTICAL CONVEYING UNIT SP		1	1	1
3	*302K906681	2K906681	SHAFT FEED LOW HOOK		1	1	1
4	*302K906660	2K906660	HANDLE FEED LOW		1	1	1
5	*302K906670	2K906670	HOOK FEED LOW		2	2	2
6	*303NJ06010	3NJ06010	COVER FEED LOW		1	1	1
7	*302FZ20021	2FZ20021	SPRING LID		1	1	1
8	*303NF06170	3NF06170	LEVER SW		1	1	1
9	*303NF06141	3NF06141	GUIDE VERTICAL		1	1	1
10	*303NJ06050	3NJ06050	STRAP		1	1	1
⊙ 11	302K904161	2K904161	COVER RIGHT LOWER M		1	1	1
12	302FZ02600	2FZ02600	FOOT		2	2	2
13	303NF02330	3NF02330	PLATE FULCRUM		2	2	2

Ref. No.	Part.No.	Alternative.	Description	Notes	Quantity		
					120	230	240
101	7BB180408H	BB111210	+BIND T.T S SCREW 4X8(BLACK)				
102	7BB782410H	BB111310	+TP-FLAT T.T S SCREW 4X10 SR(BLACK)				
103	7BB780420H	BB116060	+BIND T.T S SCREW 4X20 SR(BLACK)				
104	7BB600306H	BB105730	+BIND M SCREW 3X6 R				
105	7BB200410H	BB105700	+BIND T.T P SCREW 4X10				

- Parts with "⊙" indicate regular maintenance parts.
- Parts with Ref.No. indicate maintenance parts and the ones without it indicate out of the above.

- Parts with "*" are component parts or sub-assemblies of the assembly appearing immediately above them.
- Parts with "••" are component parts or sub-assembly with "•" appearing immediately above them.

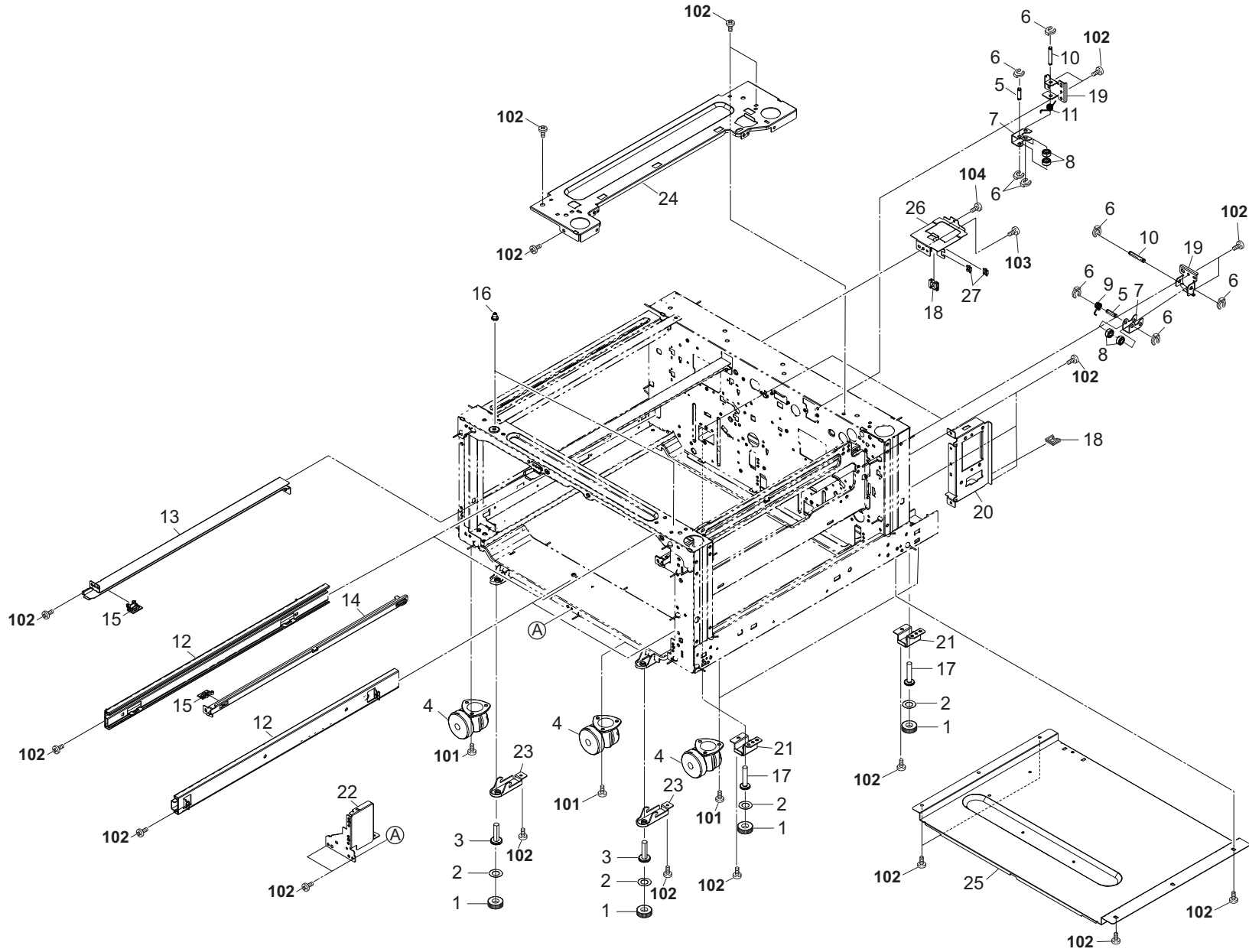


FIG. 7 Paper Deck Frames

2LG/2LF-3

Ref. No.	Part.No.	Alternative.	Description	Notes	Quantity		
					120	230	240
1	303LM02170	3LM02170	RUBBER BOLT		4	4	4
2	303LM02230	3LM02230	SHEET BOLT RUBBER		4	4	4
3	303NF02210	3NF02210	BOLT DECK STOPPER		2	2	2
4	302A002171	2A002171	CASTER UA		4	4	4
5	303NF02290	3NF02290	SHAFT HOOK PULLEY		3	3	3
6	5MVX111DN003	2A806250	RING STOPPER /A-49 FEED A4		12	12	12
7	303NF02270	3NF02270	LEVER DECK HOOK		3	3	3
8	302FG07020	2FG07020	PULLEY,CASSETTE RAIL		6	6	6
9	303NF02310	3NF02310	SPRING DECK HOOK		2	2	2
10	303NF02280	3NF02280	SHAFT HOOK FULCRUM		3	3	3
11	302LH02050	2LH02050	SPRING CASSETTE HOOK		1	1	1
12	303NF10030	3NF10030	SLIDER DECK		4	4	4
13	303NF02150	3NF02150	RAIL DECK FEED		1	1	1
14	303NF02260	3NF02260	RAIL CONVEYING		1	1	1
15	302FZ09050	2FZ09050	SLIDER CASSETTE		2	2	2
16	303LM02181	3LM02181	PIN STAY		2	2	2
17	303LM02132	3LM02132	BOLT STOPPER		2	2	2
18	7YZM210005++H01	YZ037990	ACCESS.EDGING		2	2	2
19	303NF02301	3NF02301	HOLDER DECK HOOK		3	3	3
20	303NF39010	3NF39010	MOUNT BRACKET DESK		1	1	1
21	303NF02190	3NF02190	MOUNT FOOT REAR		2	2	2
22	303NF02171	3NF02171	MOUNT SLIDER DECK		1	1	1
23	303NF02130	3NF02130	PLATE BOLT FRONT		2	2	2
24	303NF02060	3NF02060	STAY UPPER RIGHT		1	1	1
25	303NF02120	3NF02120	PLATE LOW		1	1	1
26	303NF02340	3NF02340	MOUNT EARTH REAR		1	1	1
27	7YZM210006++H01	YZ038000	ACCESS.EDGING		2	2	2

Ref. No.	Part.No.	Alternative.	Description	Notes	Quantity		
					120	230	240
101	7BB606512H	BB105300	+BIND M SCREW WITH SW W 5X12 R				
102	7BB700410H	BB107090	+BIND T.T S SCREW 4X10 SR				
103	7BB700408H	BB105640	+BIND T.T S SCREW 4X8 SR				
104	7BB700308H	BB105600	+BIND T.T S SCREW 3X8 SR				

- Parts with "⊙" indicate regular maintenance parts.
- Parts with Ref.No. indicate maintenance parts and the ones without it indicate out of the above.

- Parts with "*" are component parts or sub-assemblies of the assembly appearing immediately above them.
- Parts with "•" are component parts or sub-assembly with "•" appearing immediately above them.

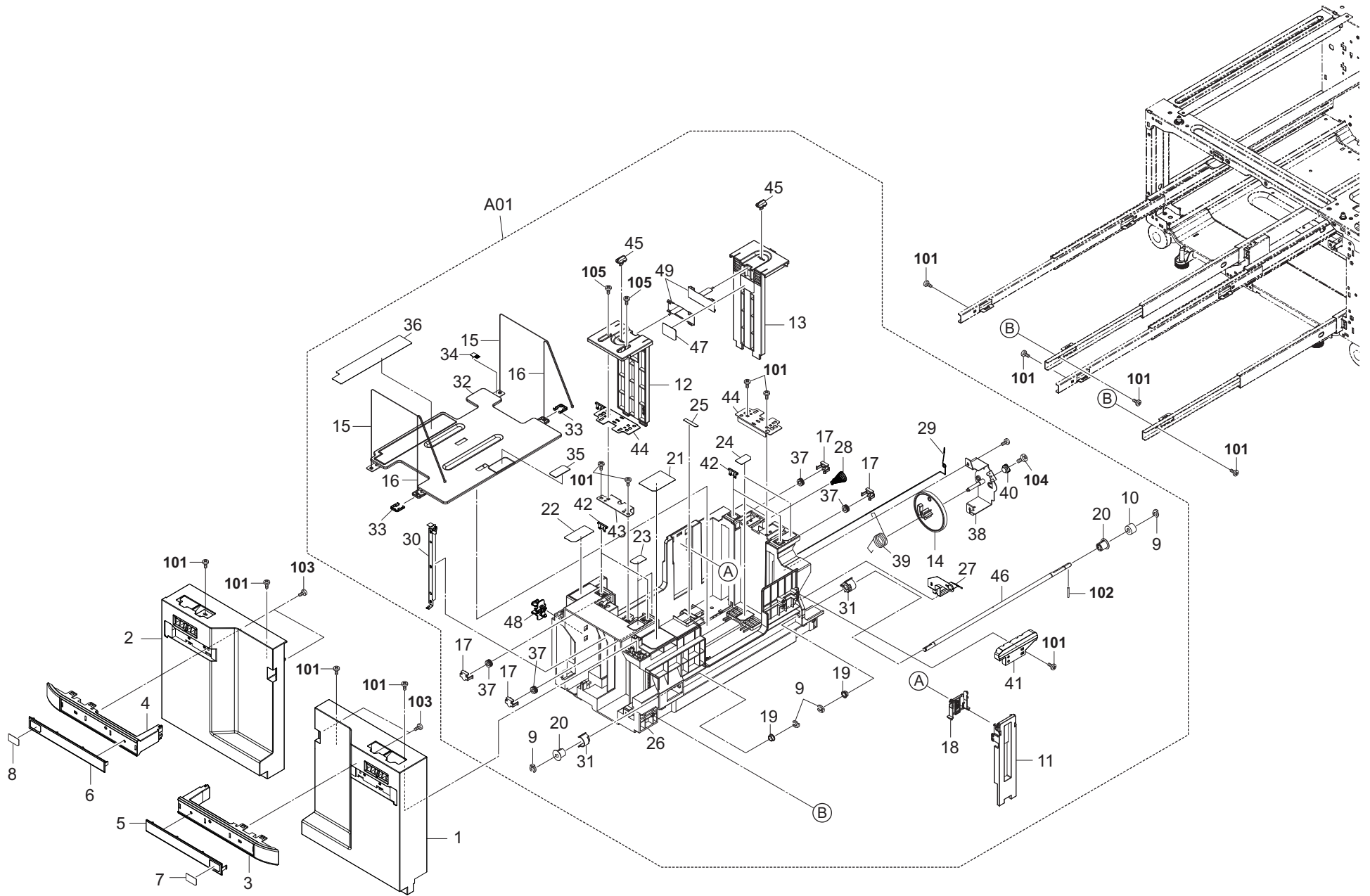


FIG. 8 Paper Deck Cassettes

2LG/2LF-3

Ref. No.	Part.No.	Alternative.	Description	Notes	Quantity		
					120	230	240
⊙ 1	302K904270	2K904270	COVER DECK RIGHT		1	1	1
⊙ 2	302K904300	2K904300	COVER DECK LEFT		1	1	1
⊙ 3	302K904280	2K904280	HANDLE DECK RIGHT		1	1	1
⊙ 4	302K904310	2K904310	HANDLE DECK LEFT		1	1	1
⊙ 5	302K904290	2K904290	EMBLEM DECK RIGHT		1	1	1
⊙ 6	302K904550	2K904550	EMBLEM DECK LEFT		1	1	1
7	302K934070	2K934070	LABEL CASSETTE NUMBER 3		1	1	1
8	302K934080	2K934080	LABEL CASSETTE NUMBER 4		1	1	1
⊙ A01	303NF94110	3NF94110	PARTS DECK UNIT(INCHI) SP		2		
⊙ A01	303NF94020	3NF94020	PARTS DECK UNIT SP			2	2
9	*2BC06980	2BC06980	STOPPER 5		8	8	8
⊙ 10	*2BC07110	2BC07110	GEAR 20		2	2	2
11	*303NF10070	3NF10070	CURSOR END DECK		2	2	2
12	*303NF10080	3NF10080	CURSOR DECK FRONT		2	2	2
13	*303NF10090	3NF10090	CURSOR DECK REAR		2	2	2
⊙ 14	*303NF10160	3NF10160	GEAR DAMPER 100		2	2	2
15	*303NF10480	3NF10480	WIRE LIFT A		4	4	4
16	*303NF10490	3NF10490	WIRE LIFT B		4	4	4
17	*303NF10220	3NF10220	STOPPER PULLEY		8	8	8
18	*303NF10410	3NF10410	CURSOR END SUB		2	2	2
19	*28107310	49028101	BUSH 8		4	4	4
20	*2BC07020	2BC07020	FRONT PULLEY,LIFT DRIVE		4	4	4
21	*303NF34030	3NF34030	LABEL DECK PAPER DIRECTION		2	2	2
22	*303NF34020	3NF34020	LABEL DECK OPERATION B		2	2	2
23	*303NF34060	3NF34060	LABEL DECK SIZE B		4	4	4
24	*303NF34080	3NF34080	LABEL DECK SIZE D		4	4	4
25	*303NF34090	3NF34090	LABEL DECK SIZE E		2	2	2
26	*303NF10010	3NF10010	DECK CASSETTE		2	2	2
27	*303NF10430	3NF10430	PLATE EARTH REAR		2	2	2
28	*303NF10450	3NF10450	WIRE EARTH B		2	2	2
29	*303NF10440	3NF10440	WIRE EARTH A		2	2	2
30	*303NF10420	3NF10420	PLATE EARTH FRONT		2	2	2
31	*303NF10320	3NF10320	HOLDER PULLEY		4	4	4
32	*303NF10050	3NF10050	PLATE LIFT DECK		2	2	2
33	*2BC07120	2BC07120	SPACER,DECK LIFT		4	4	4
34	*303JY37220	3JY37220	STATIC ELIMINATOR CURSOR		2	2	2
35	*3A707290	3A707290	PAD,LIFT		2	2	2
36	*303NF34010	3NF34010	LABEL DECK OPERATION A		2	2	2
37	*303NF10300	3NF10300	PULLEY LIFT WIRE		8	8	8
38	*303NF10140	3NF10140	MOUNT DECK DAMPER		2	2	2
39	*303NF10170	3NF10170	SPRING LIFT STOPPER		2	2	2
40	*302G404160	2G404160	DAMPER		2	2	2
41	*303NF10470	3NF10470	RAIL RETARD RIGHT		2	2	2
42	*303NF10150	3NF10150	PLATE WIRE LOCK		8	8	8
43	*303NF10390	3NF10390	MOUNT CURSOR ADJUST		2	2	2
44	*303NF10110	3NF10110	MOUNT CURSOR		4	4	4
45	*303NF10250	3NF10250	PIN CURSOR LOCK		4	4	4
46	*303NF10130	3NF10130	SHAFT DECK LIFT		2	2	2
47	*303NF34040	3NF34040	LABEL DECK PAPER LIMIT		2	2	2

Ref. No.	Part.No.	Alternative.	Description	Notes	Quantity		
					120	230	240
48	*302GR09991	2GR09991	LIFT LOCK		2	2	2
49	*303NF10100	3NF10100	PLATE DECK SUB		4	4	4
101	7BB200410H	BB105700	+BIND T.T P SCREW 4X10				
102	E0030240	48129504	SPRING PIN 3X24				
103	7BB200310H	BB105670	+BIND T.T P SCREW 3X10				
104	7BB007304H	BB105810	+TP-CUP M SCREW 3X4				
105	7BB700410H	BB107090	+BIND T.T S SCREW 4X10 SR				

- Parts with "⊙" indicate regular maintenance parts.
- Parts with Ref.No. indicate maintenance parts and the ones without it indicate out of the above.

- Parts with "*" are component parts or sub-assemblies of the assembly appearing immediately above them.
- Parts with "• •" are component parts or sub-assembly with "•" appearing immediately above them.

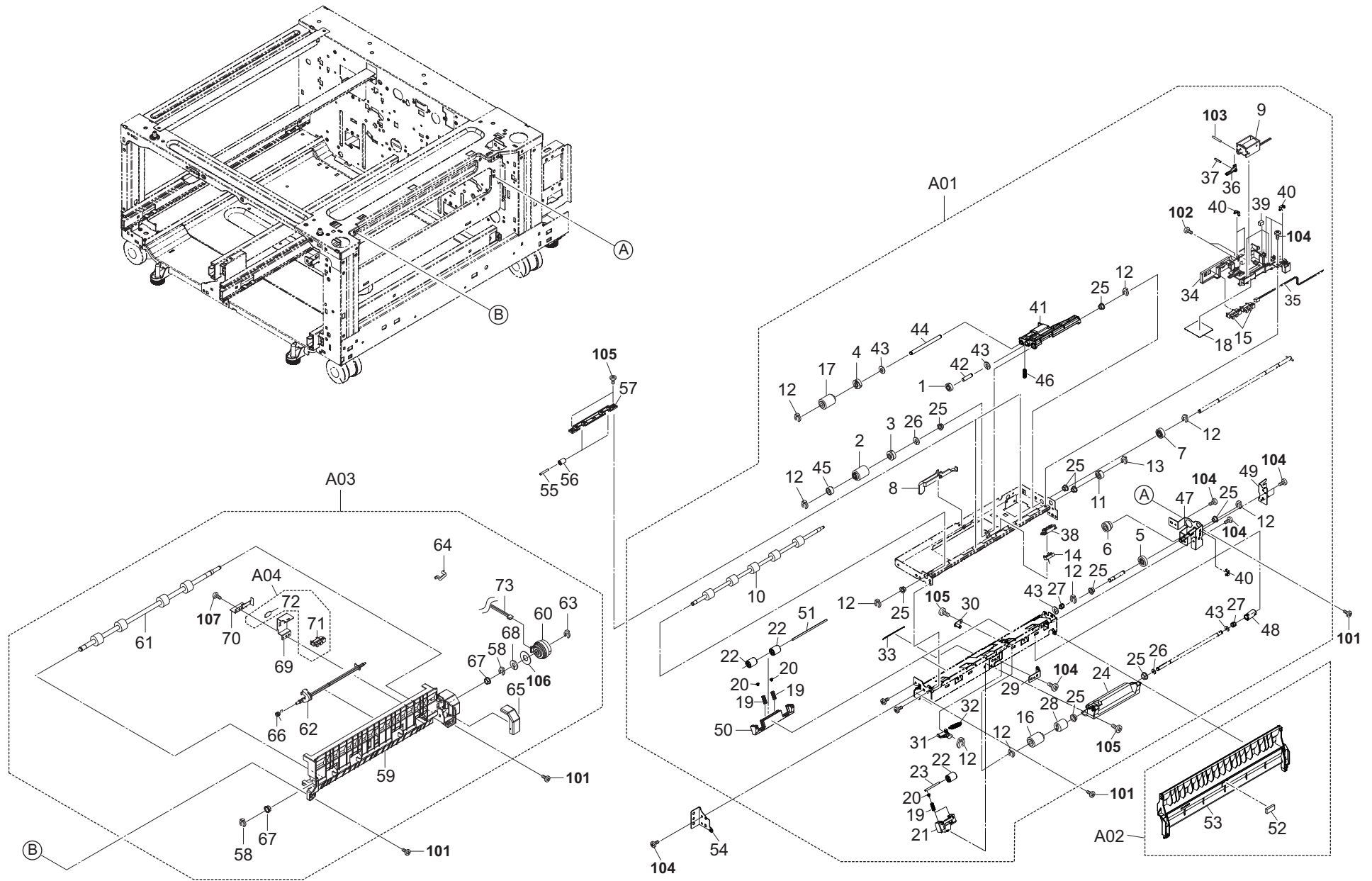


FIG. 9 Paper Deck Feed Section 1

2LG/2LF-3

Ref. No.	Part.No.	Alternative.	Description	Notes	Quantity		
					120	230	240
⊙ A01	303NF94152	3NF94152	PARTS PRIMARY FEED UNIT HI SP		1	1	1
⊙ 1	*302F906030	2F906030	GEAR FEED Z26H		1	1	1
2	*302K906350	2K906350	PULLEY FEED		1	1	1
⊙ 3	*302K994530	2K994530	PARTS GEAR Z30R FEED OW SP		1	1	1
⊙ 4	*302K906200	2K906200	GEAR Z30R PICKUP		1	1	1
⊙ 5	*302K906220	2K906220	GEAR FEED DRIVE Z22L		1	1	1
⊙ 6	*302K906230	2K906230	GEAR PRIMARY FEED IDLE Z20R Z16L		1	1	1
⊙ 7	*302K906240	2K906240	GEAR FEED DRIVE Z20L		1	1	1
8	*302K906321	2K906321	ACTUATOR PAPER EMPTY		1	1	1
⊙ 9	*302K994380	2K994380	PARTS SOLENOID FEED SHIFT SP		1	1	1
⊙ 10	*303NJ94050	3NJ94050	PARTS ROLLER ASSIST SP		1	1	1
⊙ 11	*303NJ06040	3NJ06040	GEAR PRIMARY FEED Z17L OW		1	1	1
12	*5MVX111DN003	2A806250	RING STOPPER /A-49 FEED A4		9	9	9
13	*5MVX111DN007	2BT11070	STOPPER 3 /2BT1107 A4		1	1	1
⊙ 14	*302K994580	2K994580	PARTS SENSOR OPT. SP		1	1	1
⊙ 15	*303M894260	3M894260	PARTS SENSOR OPT SP		2	2	2
16	*302K906360	2K906360	PULLEY RETARD		1	1	1
17	*302K906370	2K906370	PULLEY PICKUP		1	1	1
18	*303NF06350	3NF06350	SHEET SOLENOID		1	1	1
19	*302F925780	2F925780	SPRING DU		6	6	6
20	*2FM04150	5MVM163DN005	CAP SPRING /B-11 ENCLOSURE A4		6	6	6
21	*302K906700	2K906700	HOLDER PULLEY		1	1	1
22	*302F929260	2F929260	PULLEY DU LOW		5	5	5
23	*302K906710	2K906710	SHAFT ASSIST PULLEY		1	1	1
24	*302K906150	2K906150	HOLDER RETARD		1	1	1
25	*302K324450	2K324450	BUSH 6		9	9	9
26	*302FB09830	2FB09830	CUT WASHER 4		2	2	2
27	*302K906180	2K906180	JOINT RETARD DRIVE		2	2	2
28	*303LL07521	3LL07521	TORQUE-LIMITER 400		1	1	1
29	*302K906300	2K906300	PLATE RETARD HOLDER		1	1	1
30	*302K906330	2K906330	FULCRUM-PIN RETARD		1	1	1
31	*302K906160	2K906160	LEVER RETARD RELEASE		1	1	1
32	*302K906410	2K906410	SPRING RETARD B		1	1	1
33	*302K906721	2K906721	SHEET PRIMARY FEED HI		1	1	1
34	*302K906250	2K906250	GUIDE PRIM FEED WIRE		1	1	1
35	*303NJ46130	3NJ46130	WIRE PRIMARY FEED UNIT		1	1	1
36	*302K906210	2K906210	LEVER PICK RELEASE		1	1	1
37	*302K906310	2K906310	PIN PICK RELEASE		1	1	1
38	*302K906290	2K906290	HOLDER SENSOR FEED		1	1	1
39	*302H708150	2H708150	SPONGE WIRE MPT		3	3	3
40	*302K931080	2K931080	WIRE STOPPER		6	6	6
41	*302K906090	2K906090	HOLDER PICKUP		1	1	1
42	*302K906080	2K906080	PIN PICK UP IDLE		1	1	1
43	*302K924820	2K924820	CUT-WASHER 4		4	4	4
44	*302K906060	2K906060	SHAFT PICKUP PRIMARY		1	1	1
45	*3BC07130	3BC07130	ONE-WAY CLUTCH 6		1	1	1
46	*302K906260	2K906260	SPRING PICK UP		1	1	1
47	*302K906110	2K906110	PLATE PRIMARY FEED DRIVE		1	1	1
48	*302K906140	2K906140	COUPLING PRIMARY FEED DRIVE		1	1	1

Ref. No.	Part.No.	Alternative.	Description	Notes	Quantity		
					120	230	240
49	*302K906270	2K906270	MOUNT PRIMARY FEED R		1	1	1
50	*302K906280	2K906280	HOLDER PRIM FEED PULLEY		2	2	2
51	*302K906510	2K906510	SHAFT FEED LOW		2	2	2
⊙ A02	303NF94161	3NF94161	PARTS GUIDE VF RIGHT SET SP		1	1	1
52	*63213320	63213320	CUSHION,ORIGINAL COLLECTION		1	1	1
53	*303NF06131	3NF06131	GUIDE VF RIGHT		1	1	1
54	302K906100	2K906100	MOUNT PRIMARY FEED		1	1	1
55	303NJ06080	3NJ06080	SHAFT PULLEY PF		4	4	4
56	303NJ06070	3NJ06070	PULLEY FEED PF		4	4	4
57	303NJ06060	3NJ06060	HOLDER PULLEY PF		2	2	2
⊙ A03	303NF94010	3NF94010	PARTS MIDDLE ROLLER UNIT SP		1	1	1
58	*2BC06910	2BC06910	STOPPER 6		2	2	2
59	*303NF06090	3NF06090	GUIDE JUNCTION VF		1	1	1
⊙ 60	*303M894090	3M894090	PARTS CLUTCH 50 Z35R SP		1	1	1
⊙ 61	*303NF94070	3NF94070	PARTS ROLLER CONVEYING VF SP		1	1	1
62	*303NF06210	3NF06210	ACTUATOR VF SENSOR		1	1	1
63	*5MVX111DN003	2A806250	RING STOPPER /A-49 FEED A4		1	1	1
64	*302K931080	2K931080	WIRE STOPPER		1	1	1
65	*303NF06240	3NF06240	COVER MIDDLE		1	1	1
66	*302H729120	2H729120	SPRING ACT DU		1	1	1
67	*28107310	49028101	BUSH 8		2	2	2
68	*302K924820	2K924820	CUT-WASHER 4		1	1	1
69	*303NF06220	3NF06220	MOUNT SENSOR VF		1	1	1
70	*303NF06230	3NF06230	PLATE EARTH VF		1	1	1
⊙ A04	*303NF94080	3NF94080	PARTS SENSOR OPT. SET SP		1	1	1
71	**303M894260	3M894260	PARTS SENSOR OPT SP		1	1	1
72	**302GR17970	2GR17970	STOPPER PI		1	1	1
73	*303NJ46080	3NJ46080	WIRE VERTICAL 1		1	1	1
101	7BB700410H	BB107090	+BIND T.T S SCREW 4X10 SR				
102	7BB600306H	BB105730	+BIND M SCREW 3X6 R				
103	5MBP2010WXSP	E0020100	SPRING PIN / M2 X 10 S-BLK				
104	7BB700308H	BB105600	+BIND T.T S SCREW 3X8 SR				
105	7BB200308H	BB105660	+BIND T.T P SCREW 3X8				
106	7BC040621250H01	BC129400	WASHER 6.2X12X0.5T				
107	7BB200312H	BB105680	+BIND T.T P SCREW 3X12				

- Parts with "⊙" indicate regular maintenance parts.
- Parts with Ref.No. indicate maintenance parts and the ones without it indicate out of the above.

- Parts with "*" are component parts or sub-assemblies of the assembly appearing immediately above them.
- Parts with "• •" are component parts or sub-assembly with "•" appearing immediately above them.

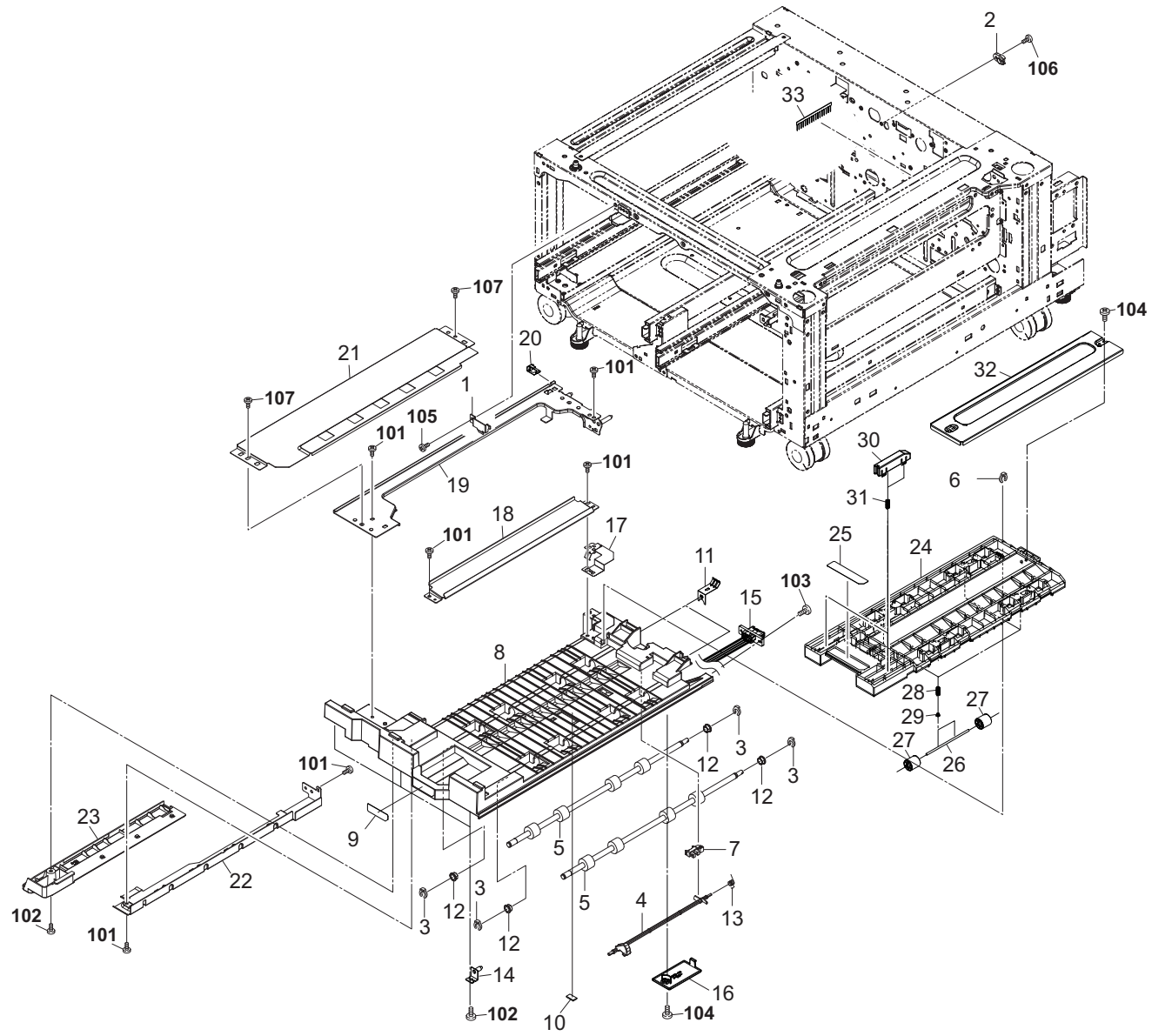


FIG. 10 Paper Deck Feed Section 2

2LG/2LF-3

Ref. No.	Part.No.	Alternative.	Description	Notes	Quantity		
					120	230	240
1	303NF06150	3NF06150	STOPPER HF		1	1	1
2	303NF06330	3NF06330	BUSH FEED HF		1	1	1
3	2BC06910	2BC06910	STOPPER 6		4	4	4
4	303NF06040	3NF06040	ACTUATOR HF		1	1	1
⊙ 5	303NF94100	3NF94100	PARTS ROLLER CONVEYING DECK SP		2	2	2
6	5MVX111DN003	2A806250	RING STOPPER /A-49 FEED A4		1	1	1
⊙ 7	303M894260	3M894260	PARTS SENSOR OPT SP		1	1	1
8	303NF06010	3NF06010	GUIDE HF LOWER		1	1	1
9	303NF34100	3NF34100	LABEL DECK B1		1	1	1
10	303NF06340	3NF06340	CUSHION ACTUATOR		1	1	1
11	303NF06060	3NF06060	PLATE HF ROLLER		2	2	2
12	28107310	49028101	BUSH 8		4	4	4
13	302H729120	2H729120	SPRING ACT DU		1	1	1
14	303NF06270	3NF06270	PIN HF LOWER		3	3	3
15	303NF46160	3NF46160	WIRE LEFT DECK 2		1	1	1
16	303NF06260	3NF06260	LID WIRE		1	1	1
17	303NF06050	3NF06050	PLATE HF L		1	1	1
18	303NF06030	3NF06030	GUIDE HF LEFT		1	1	1
19	303NF06020	3NF06020	RAIL HF LEFT		1	1	1
20	303NF06070	3NF06070	SLIDER HF RAIL		1	1	1
21	303NF06250	3NF06250	COVER FEED LEFT		1	1	1
22	303NF06280	3NF06280	RAIL HF LOWER		1	1	1
23	303NF06300	3NF06300	SLIDER HF FRONT		1	1	1
24	303NF06080	3NF06080	GUIDE HF UPPER		1	1	1
25	303NF34110	3NF34110	LABEL DECK B2		1	1	1
26	302K906510	2K906510	SHAFT FEED LOW		4	4	4
27	302H722760	2H722760	PULLEY MIDDLE A		8	8	8
28	303NF06320	3NF06320	SPRING DECK FEED		8	8	8
29	2FM04150	5MVM163DN005	CAP SPRING /B-11 ENCLOSURE A4		8	8	8
30	303NF06180	3NF06180	LEVER HF UPPER		2	2	2
31	302F708310	2F708310	SPRING LOCK MPF		4	4	4
32	303NF06310	3NF06310	STAY GUIDE UPPER		1	1	1
33	3BC07340	3BC07340	FRONT STATIC ELIMINATOR,EJECT		1	1	1

Ref. No.	Part.No.	Alternative.	Description	Notes	Quantity		
					120	230	240
101	7BB200412H	BB105710	+BIND T.T P SCREW 4X12				
102	7BB200410H	BB105700	+BIND T.T P SCREW 4X10				
103	7BB200312H	BB105680	+BIND T.T P SCREW 3X12				
104	7BB202308H	BB105690	+TP-FLAT T.T P SCREW 3X8				
105	7BB700410H	BB107090	+BIND T.T S SCREW 4X10 SR				
106	7BB102308H1	BB112490	+TP-FLAT T.T S SCREW 3X8				
107	7BB700408H	BB105640	+BIND T.T S SCREW 4X8 SR				

- Parts with "⊙" indicate regular maintenance parts.
- Parts with Ref.No. indicate maintenance parts and the ones without it indicate out of the above.

- Parts with "*" are component parts or sub-assemblies of the assembly appearing immediately above them.
- Parts with "• •" are component parts or sub-assembly with "•" appearing immediately above them.

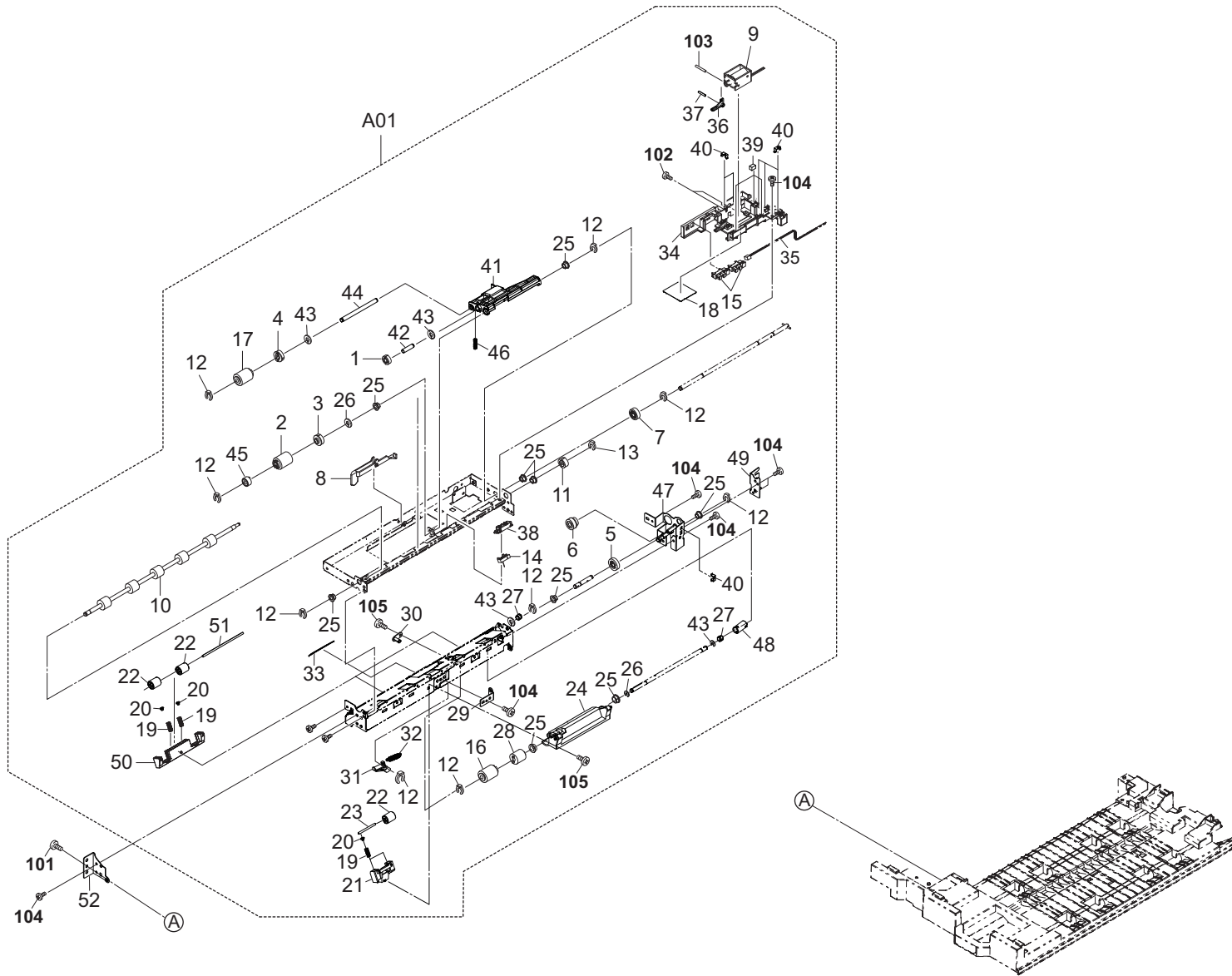


FIG. 11 Paper Deck Feed Section 3

2LG/2LF-3

Ref. No.	Part.No.	Alternative.	Description	Notes	Quantity		
					120	230	240
⊙ A01	303NF94152	3NF94152	PARTS PRIMARY FEED UNIT HI SP		1	1	1
⊙ 1	*302F906030	2F906030	GEAR FEED Z26H		1	1	1
⊙ 2	*302K906350	2K906350	PULLEY FEED		1	1	1
⊙ 3	*302K994530	2K994530	PARTS GEAR Z30R FEED OW SP		1	1	1
⊙ 4	*302K906200	2K906200	GEAR Z30R PICKUP		1	1	1
⊙ 5	*302K906220	2K906220	GEAR FEED DRIVE Z22L		1	1	1
⊙ 6	*302K906230	2K906230	GEAR PRIMARY FEED IDLE Z20R Z16L		1	1	1
⊙ 7	*302K906240	2K906240	GEAR FEED DRIVE Z20L		1	1	1
⊙ 8	*302K906321	2K906321	ACTUATOR PAPER EMPTY		1	1	1
⊙ 9	*302K994380	2K994380	PARTS SOLENOID FEED SHIFT SP		1	1	1
⊙ 10	*303NJ94050	3NJ94050	PARTS ROLLER ASSIST SP		1	1	1
⊙ 11	*303NJ06040	3NJ06040	GEAR PRIMARY FEED Z17L OW		1	1	1
⊙ 12	*5MVX111DN003	2A806250	RING STOPPER /A-49 FEED A4		9	9	9
⊙ 13	*5MVX111DN007	2BT11070	STOPPER 3 /2BT1107 A4		1	1	1
⊙ 14	*302K994580	2K994580	PARTS SENSOR OPT. SP		1	1	1
⊙ 15	*303M894260	3M894260	PARTS SENSOR OPT SP		2	2	2
⊙ 16	*302K906360	2K906360	PULLEY RETARD		1	1	1
⊙ 17	*302K906370	2K906370	PULLEY PICKUP		1	1	1
⊙ 18	*303NF06350	3NF06350	SHEET SOLENOID		1	1	1
⊙ 19	*302F925780	2F925780	SPRING DU		6	6	6
⊙ 20	*2FM04150	5MVM163DN005	CAP SPRING /B-11 ENCLOSURE A4		6	6	6
⊙ 21	*302K906700	2K906700	HOLDER PULLEY		1	1	1
⊙ 22	*302F929260	2F929260	PULLEY DU LOW		5	5	5
⊙ 23	*302K906710	2K906710	SHAFT ASSIST PULLEY		1	1	1
⊙ 24	*302K906150	2K906150	HOLDER RETARD		1	1	1
⊙ 25	*302K324450	2K324450	BUSH 6		9	9	9
⊙ 26	*302FB09830	2FB09830	CUT WASHER 4		2	2	2
⊙ 27	*302K906180	2K906180	JOINT RETARD DRIVE		2	2	2
⊙ 28	*303LL07521	3LL07521	TORQUE-LIMITER 400		1	1	1
⊙ 29	*302K906300	2K906300	PLATE RETARD HOLDER		1	1	1
⊙ 30	*302K906330	2K906330	FULCRUM-PIN RETARD		1	1	1
⊙ 31	*302K906160	2K906160	LEVER RETARD RELEASE		1	1	1
⊙ 32	*302K906410	2K906410	SPRING RETARD B		1	1	1
⊙ 33	*302K906721	2K906721	SHEET PRIMARY FEED HI		1	1	1
⊙ 34	*302K906250	2K906250	GUIDE PRIM FEED WIRE		1	1	1
⊙ 35	*303NJ46130	3NJ46130	WIRE PRIMARY FEED UNIT		1	1	1
⊙ 36	*302K906210	2K906210	LEVER PICK RELEASE		1	1	1
⊙ 37	*302K906310	2K906310	PIN PICK RELEASE		1	1	1
⊙ 38	*302K906290	2K906290	HOLDER SENSOR FEED		1	1	1
⊙ 39	*302H708150	2H708150	SPONGE WIRE MPT		3	3	3
⊙ 40	*302K931080	2K931080	WIRE STOPPER		6	6	6
⊙ 41	*302K906090	2K906090	HOLDER PICKUP		1	1	1
⊙ 42	*302K906080	2K906080	PIN PICK UP IDLE		1	1	1
⊙ 43	*302K924820	2K924820	CUT-WASHER 4		4	4	4
⊙ 44	*302K906060	2K906060	SHAFT PICKUP PRIMARY		1	1	1
⊙ 45	*3BC07130	3BC07130	ONE-WAY CLUTCH 6		1	1	1
⊙ 46	*302K906260	2K906260	SPRING PICK UP		1	1	1
⊙ 47	*302K906110	2K906110	PLATE PRIMARY FEED DRIVE		1	1	1
⊙ 48	*302K906140	2K906140	COUPLING PRIMARY FEED DRIVE		1	1	1

Ref. No.	Part.No.	Alternative.	Description	Notes	Quantity		
					120	230	240
49	*302K906270	2K906270	MOUNT PRIMARY FEED R		1	1	1
50	*302K906280	2K906280	HOLDER PRIM FEED PULLEY		2	2	2
51	*302K906510	2K906510	SHAFT FEED LOW		2	2	2
52	302K906100	2K906100	MOUNT PRIMARY FEED		1	1	1
101	7BB200412H	BB105710	+BIND T.T P SCREW 4X12				
102	7BB600306H	BB105730	+BIND M SCREW 3X6 R				
103	5MBP2010WXSP	E0020100	SPRING PIN / M2 X 10 S-BLK				
104	7BB700308H	BB105600	+BIND T.T S SCREW 3X8 SR				
105	7BB200308H	BB105660	+BIND T.T P SCREW 3X8				

- Parts with "⊙" indicate regular maintenance parts.
- Parts with Ref.No. indicate maintenance parts and the ones without it indicate out of the above.

- Parts with "*" are component parts or sub-assemblies of the assembly appearing immediately above them.
- Parts with "• •" are component parts or sub-assembly with "•" appearing immediately above them.

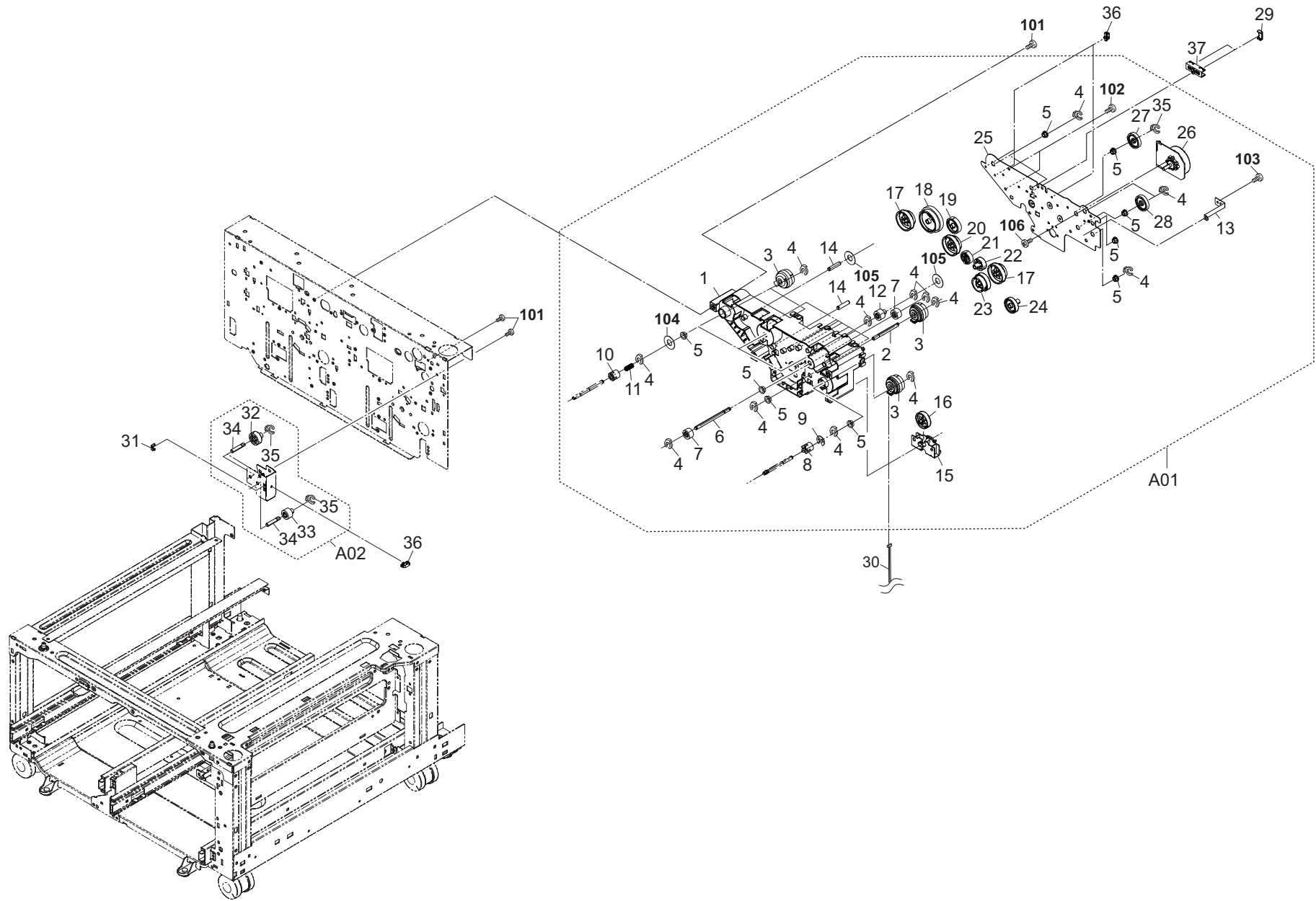


FIG. 12 Paper Deck Drive Section

2LG/2LF-3

	Ref. No.	Part.No.	Alternative.	Description	Notes	Quantity		
						120	230	240
⊙	A01	303NF94040	3NF94040	PARTS DRIVE UNIT SP		1	1	1
	1	*303NF31010	3NF31010	HOUSING MAIN DRIVE		1	1	1
	2	*303NF31090	3NF31090	SHAFT CLUTCH CONVEYING A		1	1	1
⊙	3	*303M894090	3M894090	PARTS CLUTCH 50 Z35R SP		4	4	4
	4	*5MVX111DN003	2A806250	RING STOPPER /A-49 FEED A4		18	18	18
	5	*302H702590	2H702590	BUSH SCREW		12	12	12
	6	*303NF31110	3NF31110	SHAFT FEED DRIVE B		1	1	1
⊙	7	*303NF31080	3NF31080	GEAR Z20RD		2	2	2
	8	*302K931530	2K931530	COUPLING DRIVE		1	1	1
	9	*302K924820	2K924820	CUT-WASHER 4		1	1	1
	10	*303NF31180	3NF31180	COUPLING DRIVE		3	3	3
	11	*303NF31170	3NF31170	SPRING DRIVE		3	3	3
⊙	12	*303NF31070	3NF31070	GEAR Z20R		1	1	1
	13	*303NF31030	3NF31030	PLATE EARTH FEED		1	1	1
	14	*303NJ31120	3NJ31120	PIN FEED DRIVE		9	9	9
	15	*303NJ31031	3NJ31031	BRACKET GEAR CHANGE		1	1	1
⊙	16	*303NJ31060	3NJ31060	GEAR Z60R		1	1	1
⊙	17	*303NJ31140	3NJ31140	GEAR Z40R-Z34L		2	2	2
⊙	18	*303NF31040	3NF31040	GEAR Z51L Z60L		1	1	1
⊙	19	*303NF31160	3NF31160	GEAR Z36R		1	1	1
⊙	20	*303NJ31080	3NJ31080	GEAR Z75L-Z32L		1	1	1
⊙	21	*303NJ31130	3NJ31130	GEAR Z28R		1	1	1
⊙	22	*302JZ31170	2JZ31170	GEAR Z27L MAIN		1	1	1
⊙	23	*303NJ31070	3NJ31070	GEAR Z56L-Z40R		1	1	1
⊙	24	*303NF31150	3NF31150	GEAR Z34L		1	1	1
	25	*303NF31020	3NF31020	PLATE DRIVE L		1	1	1
⊙	26	*302K994331	2K994331	PARTS MOTOR-BL W30 SP		1	1	1
⊙	27	*303NF31050	3NF31050	GEAR Z35L		1	1	1
⊙	28	*303NF31060	3NF31060	GEAR Z35R		1	1	1
	29	303LL02330	3LL02330	HOLDER WIRE D		2	2	2
	30	303NF46070	3NF46070	WIRE CLUTCH		1	1	1
	31	302K931080	2K931080	WIRE STOPPER		1	1	1
⊙	A02	303NF94050	3NF94050	PARTS DRIVE SUB UNIT SP		1	1	1
⊙	32	*302JZ31170	2JZ31170	GEAR Z27L MAIN		2	2	2
⊙	33	*303NF31070	3NF31070	GEAR Z20R		1	1	1
	34	*303NF31130	3NF31130	PIN FEED DRIVE		3	3	3
	35	*5MVX111DN003	2A806250	RING STOPPER /A-49 FEED A4		3	3	3
	36	7YZM610008++H01	YZ037940	ACCESS.SADDLE		4	4	4
	37	302LF39050	2LF39050	GUIDE WIRE FRONT PWB		1	1	1

	Ref. No.	Part.No.	Alternative.	Description	Notes	Quantity		
						120	230	240
	101	7BB700410H	BB107090	+BIND T.T S SCREW 4X10 SR				
	102	7BB200410H	BB105700	+BIND T.T P SCREW 4X10				
	103	7BB700308H	BB105600	+BIND T.T S SCREW 3X8 SR				
	104	7BC06062C020H01	BC045240	POLY SLIDER WASHER M6.2X12X0.2T				
	105	5MBWK62955NN	C2892950	POLY SLIDER /M6.2X9.5X0.5T PLASTC				
	106	7BB000305H	BB063450	+BIND M SCREW 3X5				

- Parts with "⊙" indicate regular maintenance parts.
- Parts with Ref.No. indicate maintenance parts and the ones without it indicate out of the above.

- Parts with "*" are component parts or sub-assemblies of the assembly appearing immediately above them.
- Parts with "••" are component parts or sub-assembly with "•" appearing immediately above them.

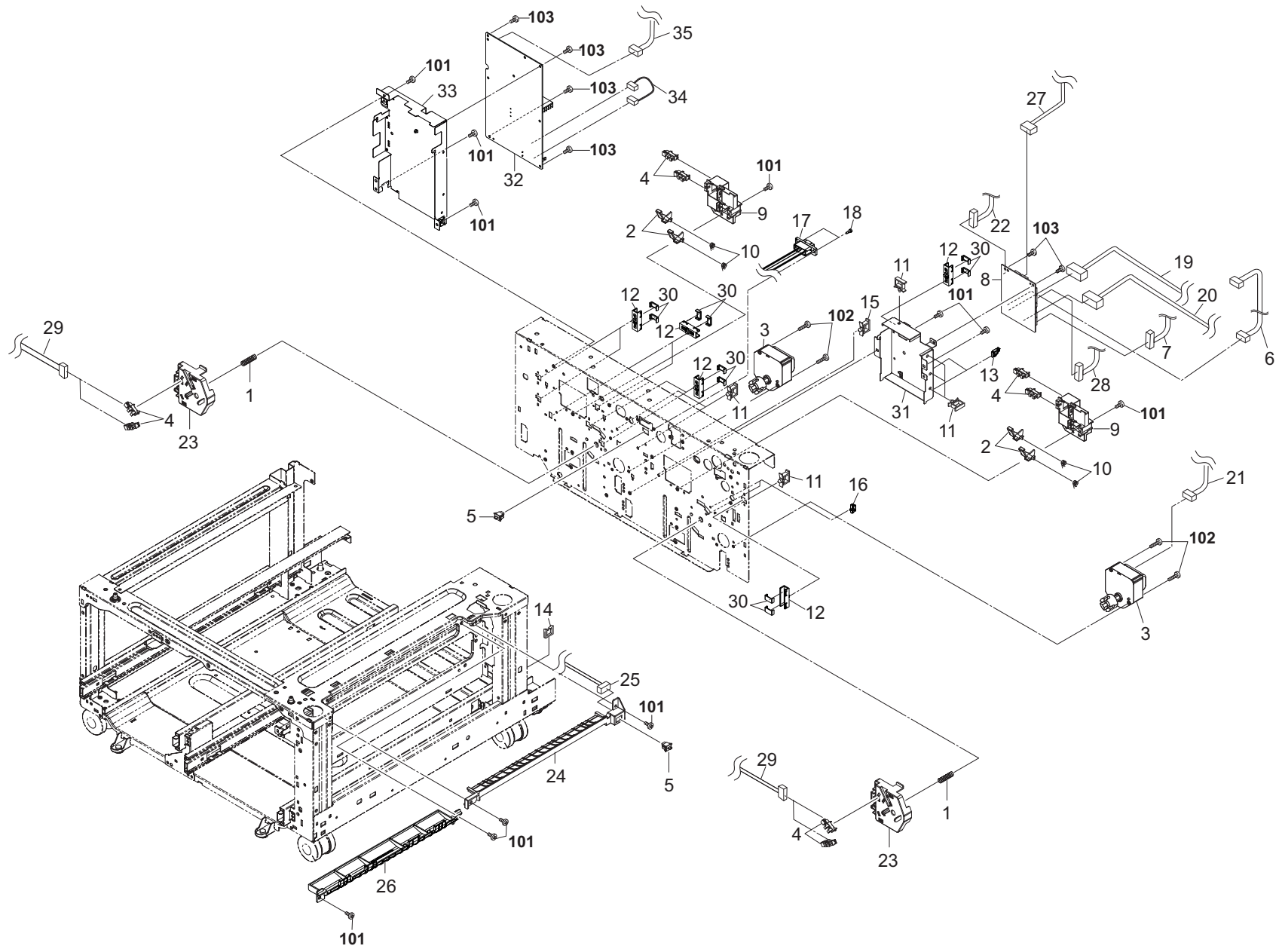


FIG. 13 Paper Deck Electrical Components

2LG/2LF-3

Ref. No.	Part.No.	Alternative.	Description	Notes	Quantity		
					120	230	240
1	2C902080	2C902080	SPRING DEV PUSH		2	2	2
2	303NF10230	3NF10230	ACTUATOR CASSETTE		4	4	4
3	303NF94090	3NF94090	PARTS MOTOR LIFT DECK SP		2	2	2
4	303M894260	3M894260	PARTS SENSOR OPT SP		8	8	8
5	7SP01000006+H01	SP121020	SW.PUSH		2	2	2
6	303NF46010	3NF46010	WIRE ENGINE I/F		1	1	1
7	303NF46170	3NF46170	WIRE MAIN MOTOR		1	1	1
8	303NF94060	3NF94060	PARTS PWB FRONT DECK ASSY SP		1	1	1
9	303NF10240	3NF10240	MOUNT ACTUATOR CASSETTE		2	2	2
10	302H729120	2H729120	SPRING ACT DU		4	4	4
11	7YZM610002++H01	YZ010240	ACCESS SADDLE		7	7	7
12	302LF39050	2LF39050	GUIDE WIRE FRONT PWB		8	8	8
13	302K939230	2K939230	HOLDER PWB		2	2	2
14	7YZM210005++H01	YZ037990	ACCESS.EDGING		1	1	1
15	7YZM610003++H01	YZ010250	ACCESS SADDLE		1	1	1
16	7YZM610008++H01	YZ037940	ACCESS.SADDLE		2	2	2
17	303NF46150	3NF46150	WIRE LEFT DECK 1		1	1	1
18	3CZ02240	3CZ02240	PIN.DRAWER SIDE CONVEYING		2	2	2
19	303NF46090	3NF46090	WIRE LEFT		1	1	1
20	303NF46110	3NF46110	WIRE RIGHT		1	1	1
21	303NF46080	3NF46080	WIRE LIFTMOTOR		1	1	1
22	303NF46120	3NF46120	WIRE RIGHT DECK		1	1	1
23	303NF10330	3NF10330	HOLDER DECK SENSOR		2	2	2
24	303NF06120	3NF06120	GUIDE LOWER MID		1	1	1
25	303NF46130	3NF46130	WIRE VERTICAL 1		1	1	1
26	303NF06110	3NF06110	GUIDE UPPER MID		1	1	1
27	303NF46060	3NF46060	WIRE SMT POWER		1	1	1
28	303NF46030	3NF46030	WIRE HEATER		1	1	1
29	303NF46100	3NF46100	WIRE PAPER SENSOR		2	2	2
30	303LL02330	3LL02330	HOLDER WIRE D		16	16	16
31	303NF39050	3NF39050	MOUNT PWB MAIN		1	1	1
32	302K094240	2K094240	PARTS LVU MAIN 100 SP		1		
32	302K094250	2K094250	PARTS LVU MAIN 200 SP			1	1
33	303NF39020	3NF39020	MOUNT PWB POWER		1	1	1
34	303NF46180	3NF46180	WIRE SLEEP		1	1	1
35	303NF46190	3NF46190	WIRE LVU SHORT		1	1	1

Ref. No.	Part.No.	Alternative.	Description	Notes	Quantity		
					120	230	240
101	7BB700410H	BB107090	+BIND T.T S SCREW 4X10 SR				
102	7BB700330H	BB106840	+BIND T.T S SCREW 3X30 SR				
103	7BB700308H	BB105600	+BIND T.T S SCREW 3X8 SR				

- Parts with "⊙" indicate regular maintenance parts.
- Parts with Ref.No. indicate maintenance parts and the ones without it indicate out of the above.

- Parts with "*" are component parts or sub-assemblies of the assembly appearing immediately above them.
- Parts with "••" are component parts or sub-assembly with "•" appearing immediately above them.

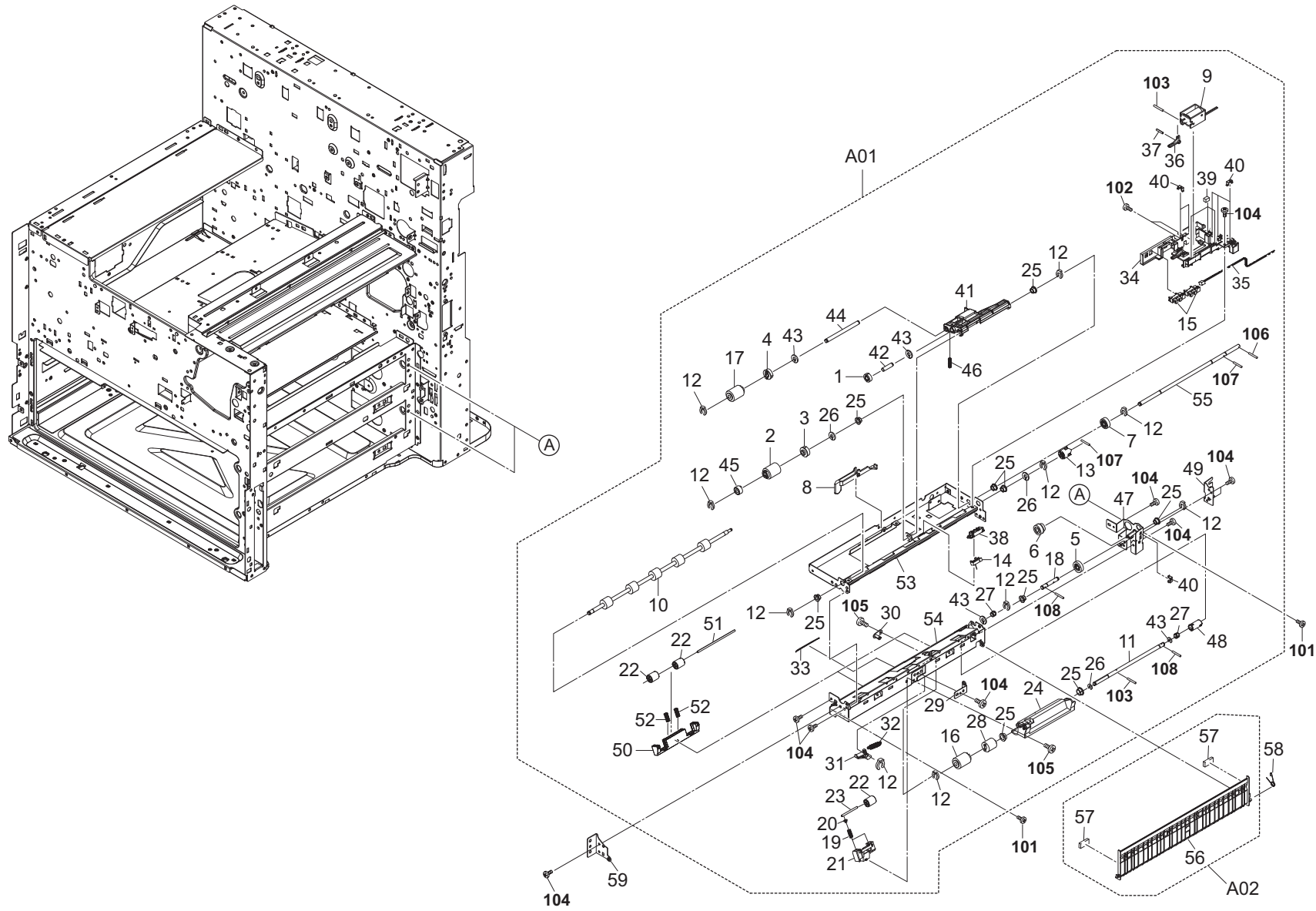


FIG. 14 Paper Feed Section 1

2LG/2LF-3

Ref. No.	Part.No.	Alternative.	Description	Notes	Quantity		
					120	230	240
⊙ A01	302K994021	2K994021	PARTS PRIMARY FEED UNIT HI SP		2	2	2
⊙ 1	*302F906030	2F906030	GEAR FEED Z26H		2	2	2
2	*302K906350	2K906350	PULLEY FEED		2	2	2
⊙ 3	*302K994530	2K994530	PARTS GEAR Z30R FEED OW SP		2	2	2
⊙ 4	*302K906200	2K906200	GEAR Z30R PICKUP		2	2	2
⊙ 5	*302K906220	2K906220	GEAR FEED DRIVE Z22L		2	2	2
⊙ 6	*302K906230	2K906230	GEAR PRIMARY FEED IDLE Z20R Z16L		2	2	2
⊙ 7	*302K906240	2K906240	GEAR FEED DRIVE Z20L		2	2	2
8	*302K906321	2K906321	ACTUATOR PAPER EMPTY		2	2	2
⊙ 9	*302K994380	2K994380	PARTS SOLENOID FEED SHIFT SP		2	2	2
⊙ 10	*302K994420	2K994420	PARTS ROLLER ASSIST SP		2	2	2
11	*302K906130	2K906130	SHAFT RETARD		2	2	2
12	*5MVX111DN003	2A806250	RING STOPPER /A-49 FEED A4		18	18	18
13	*302K931530	2K931530	COUPLING DRIVE		2	2	2
⊙ 14	*302K994580	2K994580	PARTS SENSOR OPT. SP		2	2	2
⊙ 15	*303M894260	3M894260	PARTS SENSOR OPT SP		4	4	4
16	*302K906360	2K906360	PULLEY RETARD		2	2	2
17	*302K906370	2K906370	PULLEY PICKUP		2	2	2
18	*302K906121	2K906121	SHAFT RETARD DRIVE		2	2	2
19	*302F708310	2F708310	SPRING LOCK MPF		4	4	4
20	*2FM04150	5MVM163DN005	CAP SPRING /B-11 ENCLOSURE A4		4	4	4
21	*302K906700	2K906700	HOLDER PULLEY		2	2	2
22	*302F929260	2F929260	PULLEY DU LOW		10	10	10
23	*302K906710	2K906710	SHAFT ASSIST PULLEY		2	2	2
24	*302K906150	2K906150	HOLDER RETARD		2	2	2
25	*302K324450	2K324450	BUSH 6		18	18	18
26	*302FB09830	2FB09830	CUT WASHER 4		6	6	6
27	*302K906180	2K906180	JOINT RETARD DRIVE		4	4	4
28	*302K906750	2K906750	TORQUE-LIMITER 390		2	2	2
29	*302K906300	2K906300	PLATE RETARD HOLDER		2	2	2
30	*302K906330	2K906330	FULCRUM-PIN RETARD		2	2	2
31	*302K906160	2K906160	LEVER RETARD RELEASE		2	2	2
32	*302K906410	2K906410	SPRING RETARD B		2	2	2
33	*302K906721	2K906721	SHEET PRIMARY FEED HI		2	2	2
34	*302K906250	2K906250	GUIDE PRIM FEED WIRE		2	2	2
35	*302K946390	2K946390	WIRE PRIMARY FEED UNIT		2	2	2
36	*302K906210	2K906210	LEVER PICK RELEASE		2	2	2
37	*302K906310	2K906310	PIN PICK RELEASE		2	2	2
38	*302K906290	2K906290	HOLDER SENSOR FEED		2	2	2
39	*302H708150	2H708150	SPONGE WIRE MPT		6	6	6
40	*302K931080	2K931080	WIRE STOPPER		12	12	12
41	*302K906090	2K906090	HOLDER PICKUP		2	2	2
42	*302K906080	2K906080	PIN PICK UP IDLE		2	2	2
43	*302K924820	2K924820	CUT-WASHER 4		8	8	8
44	*302K906060	2K906060	SHAFT PICKUP PRIMARY		2	2	2
45	*3BC07130	3BC07130	ONE-WAY CLUTCH 6		2	2	2
46	*302K906260	2K906260	SPRING PICK UP		2	2	2
47	*302K906110	2K906110	PLATE PRIMARY FEED DRIVE		2	2	2
48	*302K906140	2K906140	COUPLING PRIMARY FEED DRIVE		2	2	2

Ref. No.	Part.No.	Alternative.	Description	Notes	Quantity		
					120	230	240
49	*302K906270	2K906270	MOUNT PRIMARY FEED R		2	2	2
50	*302K906280	2K906280	HOLDER PRIM FEED PULLEY		4	4	4
51	*302K906510	2K906510	SHAFT FEED LOW		4	4	4
52	*302LC28240	2LC28240	SPRING SWITCHBACK		8	8	8
53	*302K906020	2K906020	PLATE FRAME UPPER		2	2	2
54	*302K906031	2K906031	PLATE FRAME LOWER		2	2	2
55	*302K906070	2K906070	SHAFT FEED PRIMARY		2	2	2
⊙ A02	302K994B90	2K994B90	PARTS GUIDE PRIMARY FEED SET SP		2	2	2
56	*302K906051	2K906051	GUIDE PRIMARY FEED		2	2	2
57	*29812291	29812291	CUSHION,CONTACT GLASS		4	4	4
58	302LC06170	2LC06170	SPRING GUIDE FEED		2	2	2
59	302K906100	2K906100	MOUNT PRIMARY FEED		2	2	2
101	7BB700410H	BB107090	+BIND T.T S SCREW 4X10 SR				
102	7BB600306H	BB105730	+BIND M SCREW 3X6 R				
103	5MBP2010WXSP	E0020100	SPRING PIN / M2 X 10 S-BLK				
104	7BB700308H	BB105600	+BIND T.T S SCREW 3X8 SR				
105	7BB200308H	BB105660	+BIND T.T P SCREW 3X8				
106	5MBP2014WXSP	E0020140	SPRING PIN / M2 X 14 S-BLK				
107	7BP512010B0CH01	BP126160	PARALLEL PIN 2.0X10				
108	5MBP2012WXSP	E0020120	SPRING PIN / M2 X 12 S-BLK				

- Parts with "⊙" indicate regular maintenance parts.
- Parts with Ref.No. indicate maintenance parts and the ones without it indicate out of the above.

- Parts with "*" are component parts or sub-assemblies of the assembly appearing immediately above them.
- Parts with "• •" are component parts or sub-assembly with "•" appearing immediately above them.

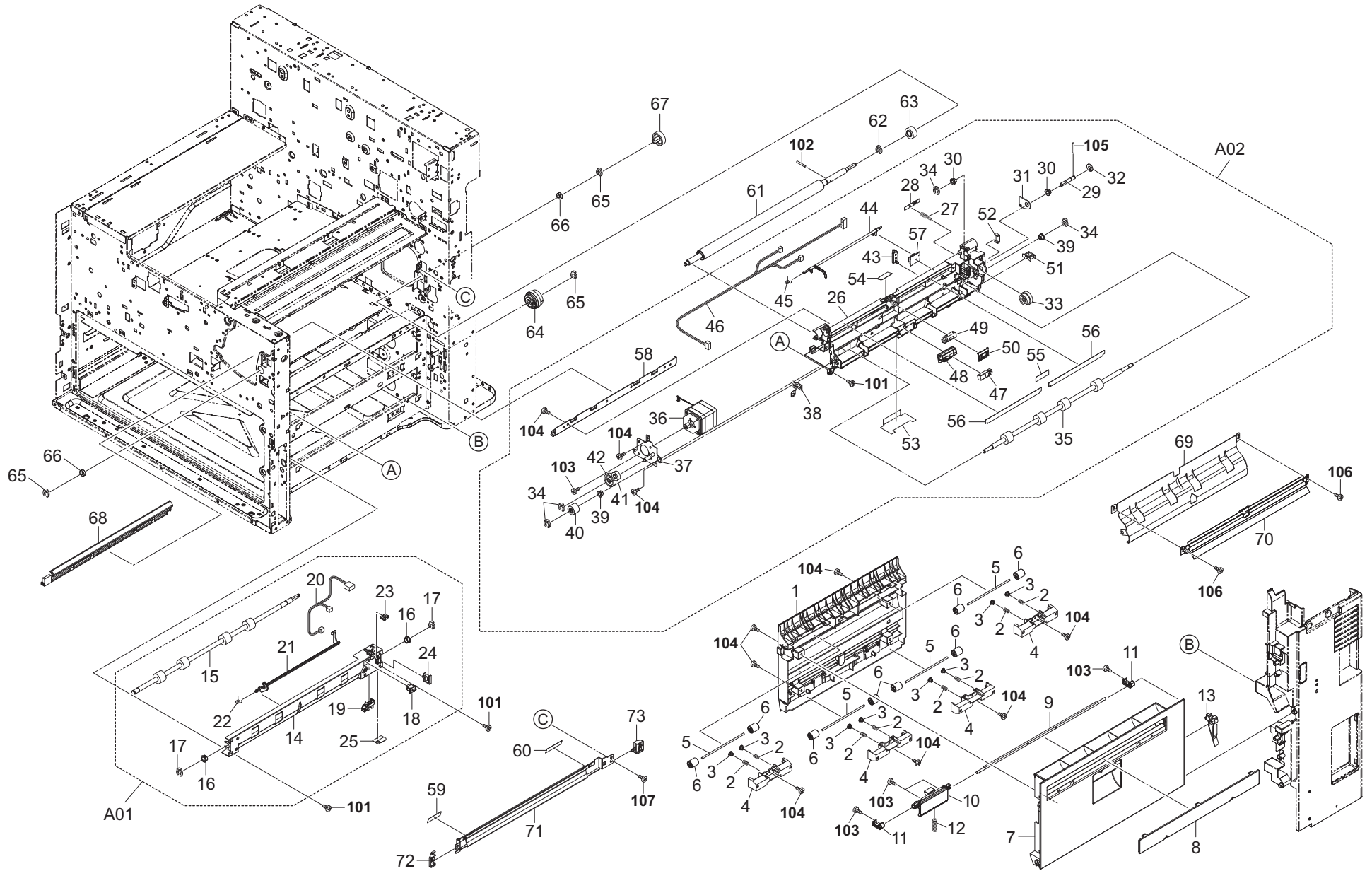


FIG. 15 Paper Feed Section 2

2LG/2LF-3

Ref. No.	Part.No.	Alternative.	Description	Notes	Quantity		
					120	230	240
1	302K906610	2K906610	GUIDE FEED LOW		1	1	1
2	2DC12170	2DC12170	SPRING TENSION		8	8	8
3	2FM04150	5MVM163DN005	CAP SPRING /B-11 ENCLOSURE A4		8	8	8
4	302K906640	2K906640	HOLDER FEED LOW PULLEY		4	4	4
5	302K906510	2K906510	SHAFT FEED LOW		4	4	4
6	302H722760	2H722760	PULLEY MIDDLE A		8	8	8
7	302K906600	2K906600	COVER FEED LOW		1	1	1
8	302K906690	2K906690	LID SIDE FEED		1	1	1
9	302K906681	2K906681	SHAFT FEED LOW HOOK		1	1	1
10	302K906660	2K906660	HANDLE FEED LOW		1	1	1
11	302K906670	2K906670	HOOK FEED LOW		2	2	2
12	302FZ20021	2FZ20021	SPRING LID		1	1	1
13	2BG06480	2BG06480	BAND B		1	1	1
A01	302K994130	2K994130	PARTS GUIDE FEED MIDDLE ASSY SP		1	1	1
14	*302K906500	2K906500	PLATE FEED LOW		1	1	1
15	*302K994430	2K994430	PARTS ROLLER FEED LOW SP		1	1	1
16	*28107310	49028101	BUSH 8		2	2	2
17	*2BC06910	2BC06910	STOPPER 6		2	2	2
18	*7SP0100006+H01	SP121020	SW.PUSH		1	1	1
19	*303M894260	3M894260	PARTS SENSOR OPT SP		1	1	1
20	*302K946430	2K946430	WIRE GUIDE FEED LOW		1	1	1
21	*302K906560	2K906560	ACTUATOR FEED LOW		1	1	1
22	*302K906520	2K906520	SPRING FEED ACT		1	1	1
23	*7YZM210006++H01	YZ038000	ACCESS.EDGING		1	1	1
24	*7YZM610002++H01	YZ010240	ACCESS SADDLE		1	1	1
25	*302LC06210	2LC06210	GUIDE WIRE FEED LOW		1	1	1
A02	302LF94112	2LF94112	PARTS GUIDE FEED REGIST ASSY SP		1	1	1
26	*302K924530	2K924530	FRAME MIDDLE FEED		1	1	1
27	*302K939360	2K939360	SPRING HV		1	1	1
28	*302K924620	2K924620	PLATE HV		1	1	1
29	*302K924701	2K924701	SHAFT DRIVE MIDDLE		1	1	1
30	*302H702590	2H702590	BUSH SCREW		2	2	2
31	*302K924660	2K924660	BRACKET KEY MIDDLE A		1	1	1
32	*302FB09830	2FB09830	CUT WASHER 4		1	1	1
33	*302K924690	2K924690	GEAR Z27L Z24L		1	1	1
34	*5MVX111DN003	2A806250	RING STOPPER /A-49 FEED A4		4	4	4
35	*302LC94550	2LC94550	PARTS ROLLER MIDDLE L SP		1	1	1
36	*302K994A80	2K994A80	PARTS MOTOR HB MID SP		1	1	1
37	*302K924650	2K924650	PLATE MIDDLE MOUNT A		1	1	1
38	*302K924570	2K924570	PLATE EARTH MIDDLE		1	1	1
39	*302K324450	2K324450	BUSH 6		2	2	2
40	*302K924600	2K924600	GEAR Z20S		1	1	1
41	*302K924640	2K924640	GEAR Z19S IDLE		1	1	1
42	*302K924630	2K924630	GEAR Z42R Z23S		1	1	1
43	*302K924850	2K924850	HOLDER EDGE SENSOR		1	1	1
44	*302K924580	2K924580	ACTUATOR LOOP		1	1	1
45	*5MMW261LD055	2A820350	SPRING SEPARATOR /FS-1000 A4		1	1	1
46	*302K946450	2K946450	WIRE GUIDE FEED MIDDLE		1	1	1
47	*2FG27110	2FG27110	SWITCH REGISTRATION		1	1	1

Ref. No.	Part.No.	Alternative.	Description	Notes	Quantity		
					120	230	240
48	*302K924870	2K924870	HOLDER SENSOR MIDDLE		1	1	1
49	*3H327410	3H327410	SENSOR,CONVEYING		1	1	1
50	*302K924861	2K924861	HOLDER SENSOR REGIST		1	1	1
51	*7YZM610007++H01	YZ023340	ACCESS.SADDLE		1	1	1
52	*303LL02330	3LL02330	HOLDER WIRE D		1	1	1
53	*302LF33580	2LF33580	FILM FEED UPPER		1	1	1
54	*302K924890	2K924890	SHEET COVER SENSOR		1	1	1
55	*302K924881	2K924881	SHEET REGIST L C		1	1	1
56	*302K924560	2K924560	SHEET REGIST L A		2	2	2
57	*302K994210	2K994210	PARTS PWB EDGE SENSOR ASSY SP		1	1	1
58	*302LF24140	2LF24140	MOUNT CLEANER REGIST		1	1	1
59	302LF22650	2LF22650	SHEET PROTECTOR TONER F		1	1	1
60	302LF22660	2LF22660	SHEET PROTECTOR TONER R		1	1	1
61	302K994A00	2K994A00	PARTS ROLLER REGIST H SP		1	1	1
62	302K921120	2K921120	STOPPER 8		1	1	1
63	302K924510	2K924510	GEAR Z24L		1	1	1
64	302KV44041	2KV44041	PARTS CLUTCH 50 Z35R SP		1	1	1
65	5MVX111DN003	2A806250	RING STOPPER /A-49 FEED A4		3	3	3
66	7BE006155J31H01	BE129410	BEARING 696ZZNR		2	2	2
67	302K994560	2K994560	PARTS GEAR Z48R SP		1	1	1
68	302LF94160	2LF94160	PARTS CLEANER REGIST ASSY SP		1	1	1
69	302K924541	2K924541	PLATE MIDDLE FEED		1	1	1
70	302LC94680	2LC94680	PARTS REGIST GUIDE ASSY SP		1	1	1
71	302LF22070	2LF22070	GUIDE TRANSFER FRONT A		1	1	1
72	302LF22580	2LF22580	SPACER FRAME FRONT		1	1	1
73	302LF22590	2LF22590	SPACER FRAME REAR		1	1	1
101	7BB700408H	BB105640	+BIND T.T S SCREW 4X8 SR				
102	7BP512014B0CH01	BP126450	PARALLEL PIN 2.0X14				
103	7BB600306H	BB105730	+BIND M SCREW 3X6 R				
104	7BB200308H	BB105660	+BIND T.T P SCREW 3X8				
105	5MBP2014WXSP	E0020140	SPRING PIN / M2 X 14 S-BLK				
106	7BB200310H	BB105670	+BIND T.T P SCREW 3X10				
107	7BB782410H	BB111310	+TP-FLAT T.T S SCREW 4X10 SR(BLACK)				

- Parts with "⊙" indicate regular maintenance parts.
- Parts with Ref.No. indicate maintenance parts and the ones without it indicate out of the above.

- Parts with "*" are component parts or sub-assemblies of the assembly appearing immediately above them.
- Parts with "••" are component parts or sub-assembly with "•" appearing immediately above them.

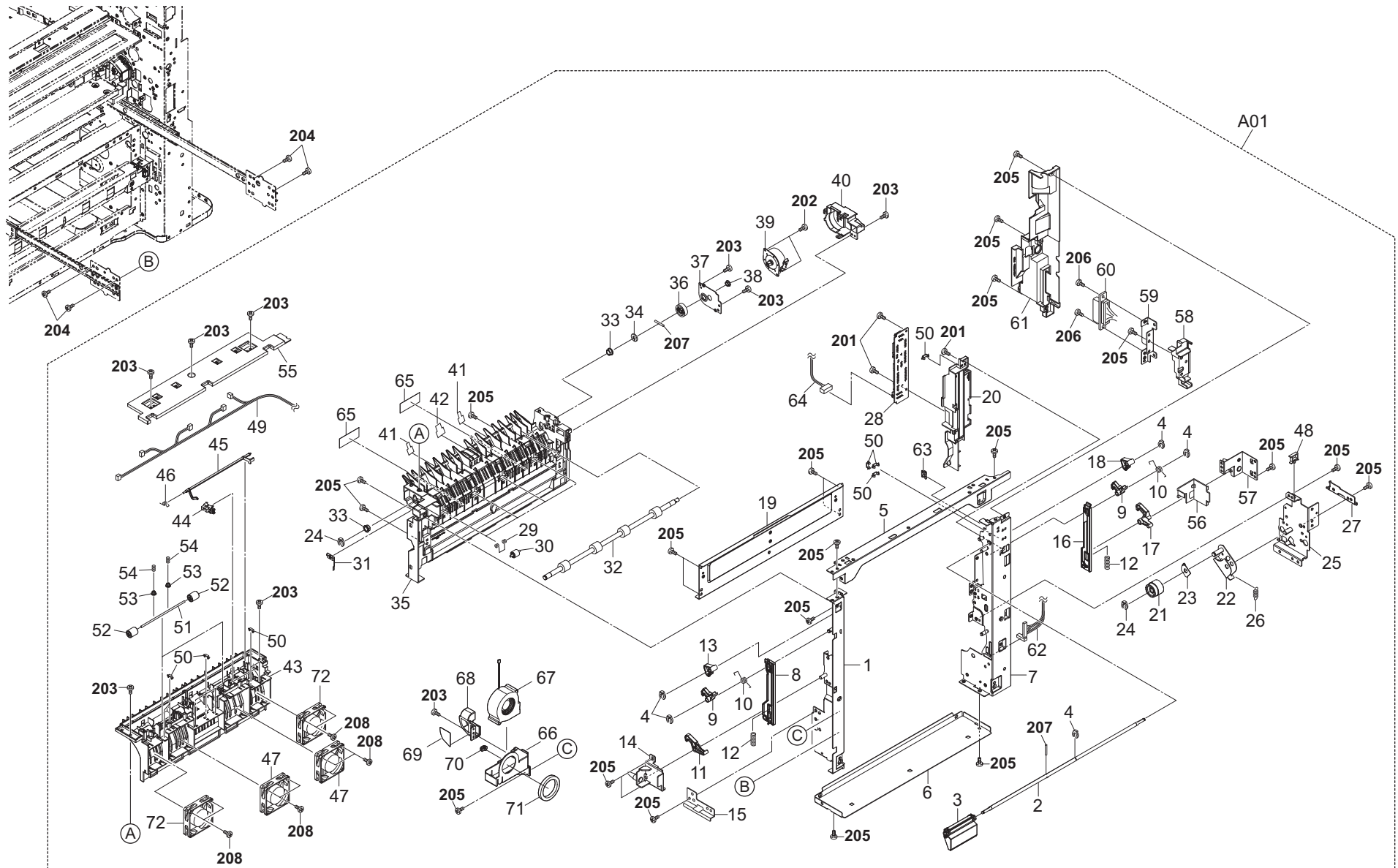


FIG. 16 Paper Conveying Section 1-1

2LG/2LF-3

Ref. No.	Part.No.	Alternative.	Description	Notes	Quantity		
					120	230	240
⊙ A01	302LF94052	2LF94052	PARTS CONVEYING H UNIT(ZEUS) SP		1	1	1
1	*302K929011	2K929011	FRAME CONVEYING F		1	1	1
2	*302K929100	2K929100	SHAFT CONVEYING HOOK UP		1	1	1
3	*302K929090	2K929090	LEVER COVER RIGHT		1	1	1
4	*5MVX111DN003	2A806250	RING STOPPER /A-49 FEED A4		5	5	5
5	*302K929051	2K929051	PLATE CONVEYING TOP		1	1	1
6	*302K929040	2K929040	PLATE CONVEYING LOW		1	1	1
7	*302K929020	2K929020	FRAME CONVEYING R		1	1	1
8	*302K929400	2K929400	ARM HOOK F		1	1	1
9	*302K929120	2K929120	HOOK CONVEYING UP		2	2	2
10	*302K929190	2K929190	SPRING HOOK UP		2	2	2
11	*302K929140	2K929140	HOOK CONVEYING LOW F		1	1	1
12	*3HL07240	3HL07240	SPRING HOOK		2	2	2
13	*302K929170	2K929170	CAM HOOK FRONT		1	1	1
14	*302K929630	2K929630	PIN CONVEYING F		1	1	1
15	*302LF29040	2LF29040	GUIDE UNIT F		1	1	1
16	*302K929410	2K929410	ARM HOOK R		1	1	1
17	*302K929150	2K929150	HOOK CONVEYING LOW R		1	1	1
18	*302K929160	2K929160	CAM HOOK REAR		1	1	1
19	*302K929030	2K929030	PLATE CONVEYING UP		1	1	1
20	*302K929710	2K929710	COVER ARM		1	1	1
⊙ 21	*302K929240	2K929240	GEAR Z30R-Z27L		1	1	1
22	*302K929600	2K929600	PLATE JOINT		1	1	1
23	*302K929610	2K929610	GUIDE GEAR		1	1	1
24	*2BC06910	2BC06910	STOPPER 6		2	2	2
25	*302K929062	2K929062	MOUNT DU DRIVE		1	1	1
26	*302F902180	2F902180	SPRING LEVER EF		1	1	1
27	*302K929580	2K929580	GUIDE UNIT R		1	1	1
⊙ 28	*302K994201	2K994201	PARTS PWB JUNCTION ASSY SP		1	1	1
29	*302K924770	2K924770	SPRING HOLDER PULLEY		4	4	4
30	*302FZ07020	2FZ07020	PULLEY MPT BYPASS		4	4	4
31	*302K929690	2K929690	PLATE EARTH DU		1	1	1
⊙ 32	*302K994491	2K994491	PARTS ROLLER DU UP SP		1	1	1
33	*28107310	49028101	BUSH 8		2	2	2
34	*302HG12310	2HG12310	CUT WASHER 4		1	1	1
35	*302K929440	2K929440	GUIDE DU LOWER A		1	1	1
⊙ 36	*302K929740	2K929740	GEAR Z43R		1	1	1
37	*302K929730	2K929730	MOUNT MOTOR DU UP		1	1	1
38	*302K924830	2K924830	BUSH DU EW		1	1	1
⊙ 39	*302K994300	2K994300	PARTS MOTOR PM FEED SP		1	1	1
40	*302K929540	2K929540	COVER CLUTCH A		1	1	1
41	*302K929790	2K929790	FILM GUIDE DU A		2	2	2
42	*302K929800	2K929800	FILM GUIDE DU B		1	1	1
43	*302K929431	2K929431	GUIDE DU UPPER A		1	1	1
⊙ 44	*7NXGP1A173LCH01	NX115300	SENSOR OPT.		1	1	1
45	*302K929470	2K929470	ACTUATOR DU A		1	1	1
46	*302K928190	2K928190	SPRING-TORSION SWITCHBACK		1	1	1
⊙ 47	*302FZ94420	2FZ94420	PARTS,FAN COOLING CONVEYING SP		2	2	2
48	*7YZM610001++H01	YZ010230	ACCESS SADDLE		1	1	1

Ref. No.	Part.No.	Alternative.	Description	Notes	Quantity		
					120	230	240
49	*302LC46240	2LC46240	WIRE DU UPPER		1	1	1
50	*302K931080	2K931080	WIRE STOPPER		10	10	10
51	*302K324460	2K324460	SHAFT FEED		2	2	2
52	*302F929260	2F929260	PULLEY DU LOW		4	4	4
53	*2FM04150	5MVM163DN005	CAP SPRING /B-11 ENCLOSURE A4		4	4	4
54	*302K929780	2K929780	SPRING-COMPRESSION DU UP		4	4	4
55	*302K929490	2K929490	COVER RIGHT GUIDE		1	1	1
56	*302K929750	2K929750	COVER WIRE		1	1	1
57	*302K929640	2K929640	PIN CONVEYING R		1	1	1
58	*302K924390	2K924390	HOLDER DRAWER		1	1	1
59	*302K929620	2K929620	PLATE DRAWER		1	1	1
60	*302LF46520	2LF46520	WIRE CONVEYING		1	1	1
61	*302LF29030	2LF29030	COVER INNER CONVEYING A		1	1	1
62	*302LC46480	2LC46480	WIRE MPF JOINT		1	1	1
63	*7YZM210006++H01	YZ038000	ACCESS.EDGING		1	1	1
64	*302LF46AL0	2LF46AL0	WIRE CONVEYING MOTOR		1	1	1
65	*302LH29050	2LH29050	SHEET DU GUIDE LOWER		2	2	2
66	*302LF33390	2LF33390	DUCT CONVEYING RIGHT		1	1	1
⊙ 67	*302LC94380	2LC94380	PARTS FAN COOLING LSU 60 SP		1	1	1
68	*302LF33380	2LF33380	DUCT CONVEYING LEFT		1	1	1
69	*302LF33400	2LF33400	SEAL DUCT CONVEYING		1	1	1
70	*7YZM610007++H01	YZ023340	ACCESS.SADDLE		1	1	1
71	*302LF33610	2LF33610	SPONGE DUCT CONVEYING		1	1	1
⊙ 72	*302LC94320	2LC94320	PARTS FAN COOLING 50 SP		2	2	2
201	7BB700308H	BB105600	+BIND T.T S SCREW 3X8 SR				
202	7BB700306H	BB105590	+BIND T.T S SCREW 3X6 SR				
203	7BB200308H	BB105660	+BIND T.T P SCREW 3X8				
204	7BB180408H	BB111210	+BIND T.T S SCREW 4X8(BLACK)				
205	7BB700408H	BB105640	+BIND T.T S SCREW 4X8 SR				
206	7BB700312H	BB106820	+BIND T.T S SCREW 3X12 SR				
207	7BP512012B0CH01	BP126440	PARALLEL PIN 2.0X12				
208	7BB200322H	BB129220	+BIND T.T P SCREW 3X22				

- Parts with "⊙" indicate regular maintenance parts.
- Parts with Ref.No. indicate maintenance parts and the ones without it indicate out of the above.

- Parts with "*" are component parts or sub-assemblies of the assembly appearing immediately above them.
- Parts with "• •" are component parts or sub-assembly with "•" appearing immediately above them.

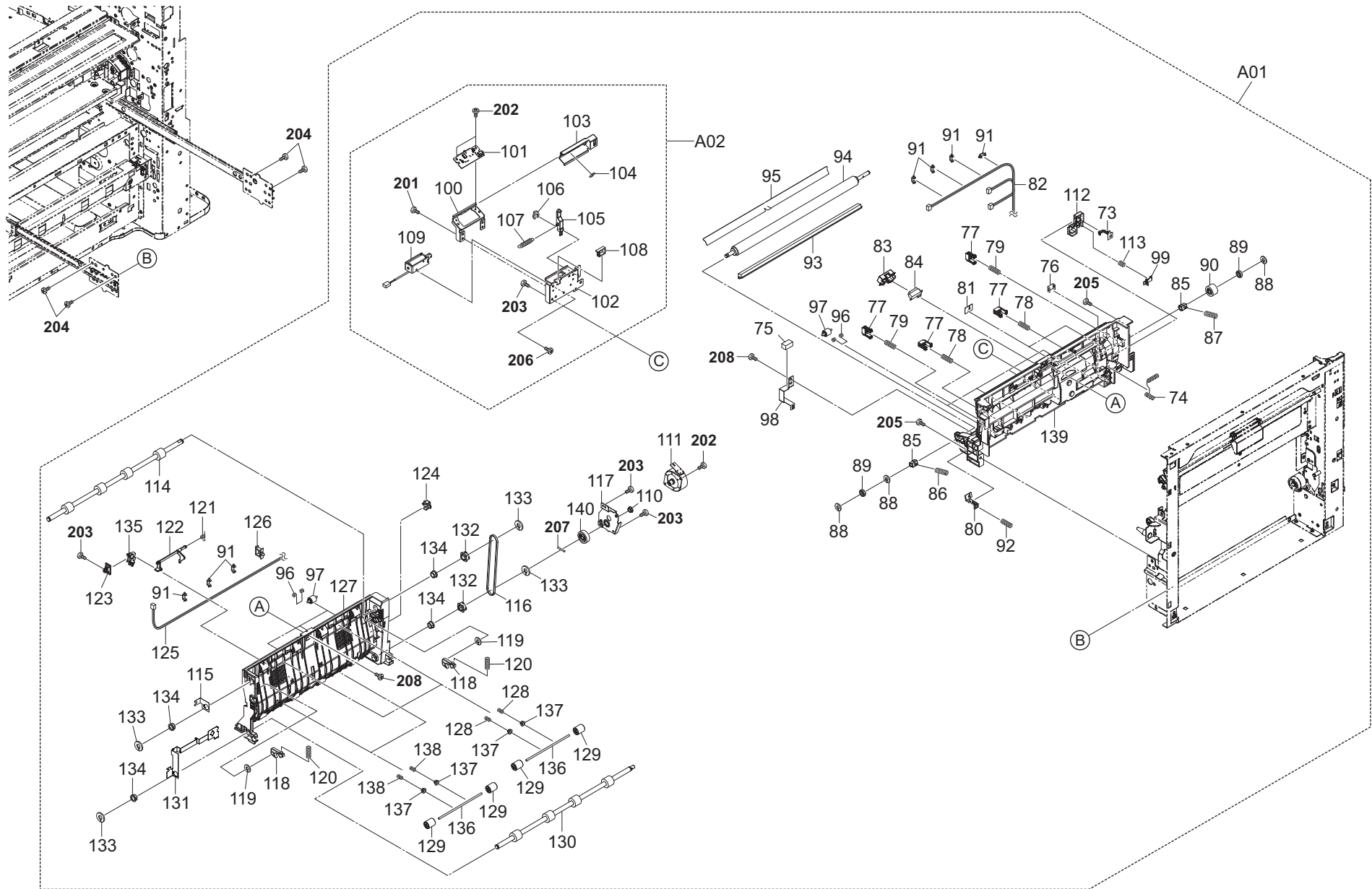


FIG. 16 Paper Conveying Section 1-2

2LG/2LF-3

Ref. No.	Part.No.	Alternative.	Description	Notes	Quantity		
					120	230	240
⊙ A01	302LF94052	2LF94052	PARTS CONVEYING H UNIT(ZEUS) SP		1	1	1
73	*302LF24081	2LF24081	PLATE CONTACT CLEANING		1	1	1
74	*302LF24040	2LF24040	SPRING CONTACT TRANSFER		1	1	1
75	*7ZG65TSV+020H01	ZG046810	SHIELD GASKET		1	1	1
76	*302K924290	2K924290	PLATE CONTACT HV		1	1	1
77	*302LF24010	2LF24010	CAP PRESS TRANSFER		4	4	4
78	*302LF24030	2LF24030	SPRING-COMPRESSION BELT ASSY B		2	2	2
79	*302LF24020	2LF24020	SPRING-COMPRESSION BELT ASSY A		2	2	2
80	*302K924250	2K924250	PLATE EARTH REGIST		1	1	1
81	*302LF24160	2LF24160	SHEET WIRE SENSOR		2	2	2
82	*302LF46310	2LF46310	WIRE DU LOW		1	1	1
83	*302K924100	2K924100	RETAINER LOOP SENSOR		1	1	1
⊙ 84	*302LC94410	2LC94410	PARTS SENSOR OPT. SP		1	1	1
85	*302K924901	2K924901	BUSH REGIST		2	2	2
86	*302K924040	2K924040	SPRING-COMPRESSION REGIST F		1	1	1
87	*302K924050	2K924050	SPRING-COMPRESSION REGIST R		1	1	1
88	*302K924820	2K924820	CUT-WASHER 4		3	3	3
89	*7BE006103431H01	BE122720	BEARING MR106ZZ		2	2	2
⊙ 90	*302K924060	2K924060	GEAR Z22R		1	1	1
91	*302K931080	2K931080	WIRE STOPPER		7	7	7
92	*302LF22600	2LF22600	SPRING EARTH CONVEYING		1	1	1
93	*2BL07950	2BL07950	UNDER CLEANER REGIST		1	1	1
⊙ 94	*302LF24150	2LF24150	ROLLER REGIST R		1	1	1
95	*302LF24190	2LF24190	SHEET REGIST R		1	1	1
96	*302K924770	2K924770	SPRING HOLDER PULLEY		7	7	7
97	*302FZ07020	2FZ07020	PULLEY MPT BYPASS		7	7	7
98	*302K924810	2K924810	PLATE EARTH RELEASE		1	1	1
99	*302LF24070	2LF24070	PLATE CONTACT TRANSFER		1	1	1
⊙ A02	*302LF94070	2LF94070	PARTS ID SENSOR ASSY SP		1	1	1
100	**302LF22390	2LF22390	MOUNT ID SENSOR		1	1	1
⊙ 101	**302K994160	2K994160	PARTS ID SENSOR ASSY SP		1	1	1
102	**302LF22540	2LF22540	MOUNT SENSOR UNIT		1	1	1
103	**302LF22550	2LF22550	SHUTTER ID SENSOR		1	1	1
104	**302HNO2970	2HNO2970	FELT CLEANER ID		1	1	1
105	**302LF22530	2LF22530	ARM SOLENOID		1	1	1
106	**5MVX111DN003	2A806250	RING STOPPER /A-49 FEED A4		1	1	1
107	**302LF22610	2LF22610	SPRING EXTENSION SHUTTER		1	1	1
108	**7YZM210006++H01	YZ038000	ACCESS.EDGING		1	1	1
⊙ 109	**302K994390	2K994390	PARTS SOLENOID ID SENSOR SP		1	1	1
110	*302K924830	2K924830	BUSH DU EW		1	1	1
⊙ 111	*302K994980	2K994980	PARTS MOTOR PM REGIST SP		1	1	1
112	*302LF24091	2LF24091	HOLDER CONTACT BELT		1	1	1
113	*302LF24060	2LF24060	SPRING CONTACT BELT UNIT		1	1	1
⊙ 114	*302K994480	2K994480	PARTS ROLLER DU MID SP		1	1	1
115	*302K929660	2K929660	PLATE EARTH DU MIDDLE		1	1	1
116	*302K929310	2K929310	BELT S2M A145		1	1	1
117	*302K929720	2K929720	MOUNT MOTOR DU MIDDLE		1	1	1
118	*5MVX421DN003	2BL06490	LOCK COVER R /40283V0068 A4		2	2	2
119	*302FZ21720	2FZ21720	POLYSLIDER CUT WASHER 4		2	2	2

Ref. No.	Part.No.	Alternative.	Description	Notes	Quantity		
					120	230	240
120	*302K929680	2K929680	SPRING-COMPRESSION COVER DU		2	2	2
121	*302H729120	2H729120	SPRING ACT DU		1	1	1
122	*302K929330	2K929330	ACTUATOR DU		1	1	1
123	*302K924841	2K924841	MOUNT PI		1	1	1
⊙ 124	*66127010	66127010	SWITCH,COVER OPEN		1	1	1
125	*302LF46460	2LF46460	WIRE DU SENSOR		1	1	1
126	*7YZM610001++H01	YZ010230	ACCESS SADDLE		1	1	1
127	*302K924410	2K924410	FRAME DU		1	1	1
128	*302F925780	2F925780	SPRING DU		4	4	4
129	*302H722760	2H722760	PULLEY MIDDLE A		8	8	8
⊙ 130	*302K994470	2K994470	PARTS ROLLER DU LOW SP		1	1	1
131	*302K924920	2K924920	PLATE EARTH DU2		1	1	1
132	*302H029110	2H029110	PULLEY 26 DU		2	2	2
133	*302K921420	2K921420	CUT-WASHER 6		4	4	4
134	*28107310	49028101	BUSH 8		4	4	4
⊙ 135	*7NXGP1A173LCH01	NX115300	SENSOR OPT.		1	1	1
136	*302K324460	2K324460	SHAFT FEED		4	4	4
137	*2FM04150	5MVM163DN005	CAP SPRING /B-11 ENCLOSURE A4		8	8	8
138	*302K929770	2K929770	SPRING DU		4	4	4
139	*302K924011	2K924011	BASE CONVEYING		1	1	1
⊙ 140	*302K929740	2K929740	GEAR Z43R		1	1	1
201	7BB700308H	BB105600	+BIND T.T S SCREW 3X8 SR				
202	7BB700306H	BB105590	+BIND T.T S SCREW 3X6 SR				
203	7BB200308H	BB105660	+BIND T.T P SCREW 3X8				
204	7BB180408H	BB111210	+BIND T.T S SCREW 4X8(BLACK)				
205	7BB700408H	BB105640	+BIND T.T S SCREW 4X8 SR				
206	7BB000303H	BB105720	+BIND M SCREW 3X3				
207	7BP512012B0CH01	BP126440	PARALLEL PIN 2.0X12				
208	7BB200410H	BB105700	+BIND T.T P SCREW 4X10				

- Parts with "⊙" indicate regular maintenance parts.
- Parts with Ref.No. indicate maintenance parts and the ones without it indicate out of the above.

- Parts with "*" are component parts or sub-assemblies of the assembly appearing immediately above them.
- Parts with "••" are component parts or sub-assembly with "•" appearing immediately above them.

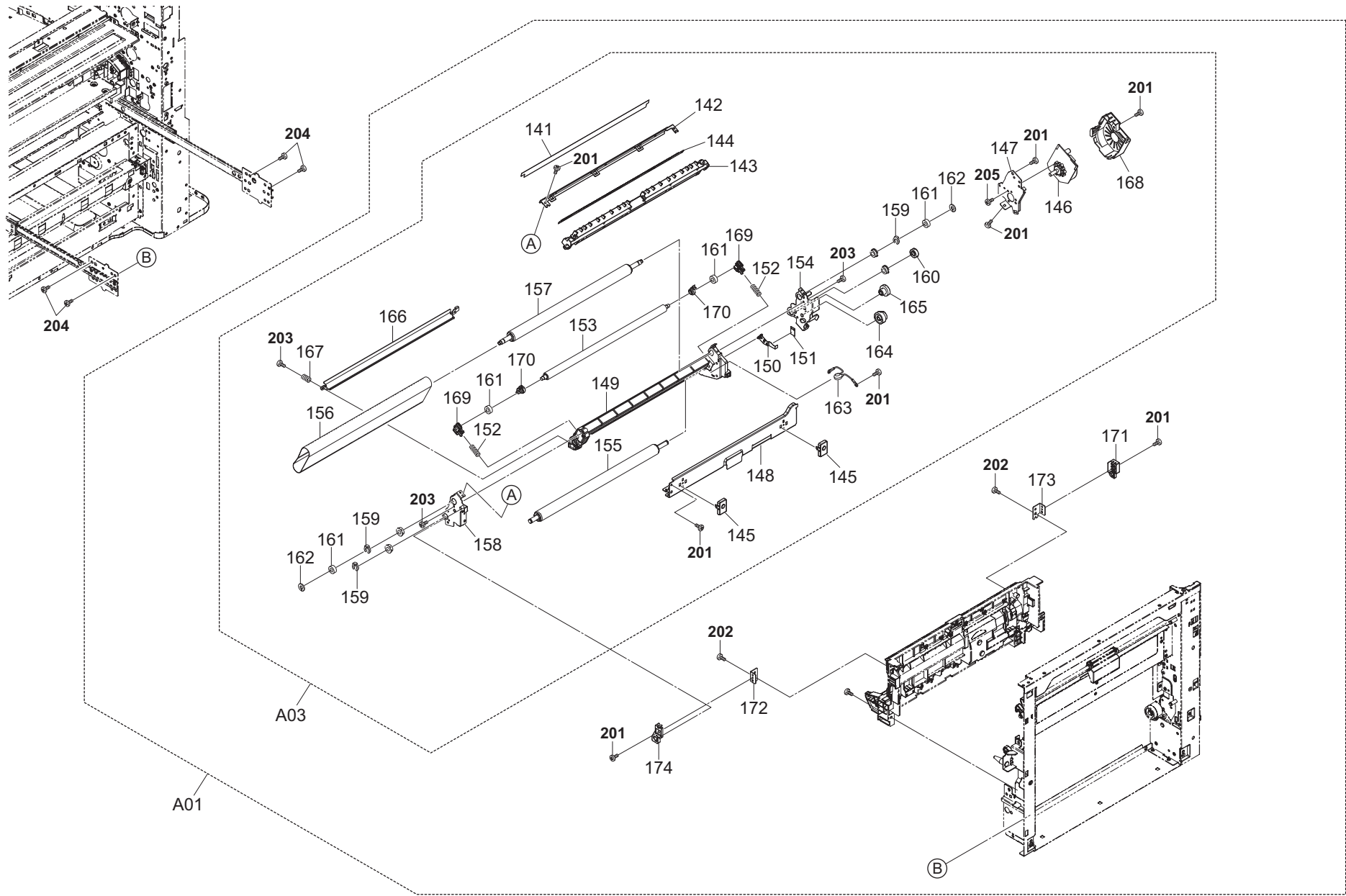


FIG. 16 Paper Conveying Section 1-3

2LG/2LF-3

Ref. No.	Part.No.	Alternative.	Description	Notes	Quantity		
					120	230	240
⊙ A01	302LF94052	2LF94052	PARTS CONVEYING H UNIT(ZEUS) SP		1	1	1
⊙ A03	*302LF94060	2LF94060	PARTS BELT ASSY SP		1	1	1
141	**302LF22230	2LF22230	GUIDE TRANSFER REAR		1	1	1
142	**302LF22260	2LF22260	FILM GUIDE REAR		1	1	1
143	**302LF22240	2LF22240	HOLDER TRANSFER REAR		1	1	1
144	**302LF22250	2LF22250	STATIC-ELIMINATOR TRANSFER		1	1	1
145	**302LF22380	2LF22380	SPACER PRESS TRANSFER		2	2	2
⊙ 146	**302LC94291	2LC94291	PARTS MOTOR-BL W10 SP		1	1	1
147	**302LF22120	2LF22120	PLATE TRANSFER DRIVE		1	1	1
148	**302LF22220	2LF22220	STAY TRANSFER		1	1	1
149	**302LF22091	2LF22091	FRAME TRANSFER		1	1	1
150	**302LF22310	2LF22310	PLATE BIAS		1	1	1
151	**302LF22620	2LF22620	SHEET CONTACT HV		1	1	1
152	**302LF22280	2LF22280	SPRING TRANSFER		2	2	2
⊙ 153	**302LF22010	2LF22010	ROLLER TRANSFER		1	1	1
154	**302LF22290	2LF22290	PLATE HOLDER REAR		1	1	1
⊙ 155	**302LF22020	2LF22020	ROLLER TRANSFER DRIVE		1	1	1
156	**302LF22060	2LF22060	BELT TRANSFER		1	1	1
⊙ 157	**302LF22030	2LF22030	ROLLER TRANSFER IDLE		1	1	1
158	**302LF22320	2LF22320	PLATE HOLDER FRONT		1	1	1
159	**2BC06910	2BC06910	STOPPER 6		3	3	3
⊙ 160	**302LF22100	2LF22100	GEAR Z30R		1	1	1
161	**7BE006103431H01	BE122720	BEARING MR106ZZ		4	4	4
162	**302K924820	2K924820	CUT-WASHER 4		2	2	2
163	**302FZ01310	2FZ01310	VARISTOR TC ASS'Y		1	1	1
⊙ 164	**302LF22210	2LF22210	GEAR Z31R-Z42R		1	1	1
⊙ 165	**302LF22110	2LF22110	GEAR Z21L-Z39L		1	1	1
166	**302LF22080	2LF22080	GUIDE TRANSFER FRONT B		1	1	1
167	**302LF22570	2LF22570	SPRING TRANS GUIDE		1	1	1
168	**302LF22200	2LF94060	COVER MOTOR		1	1	1
169	**302LF22400	2LF22400	BUSH TRANSFER		2	2	2
170	**302LF22470	2LF22470	COVER TRANSFER		2	2	2
171	*302LF22150	2LF22150	HOLDER TRANSFER REAR		1	1	1
172	*302LF22450	2LF22450	RETAINER TRANSFER FRONT		1	1	1
173	*302LF22460	2LF22460	RETAINER TRANSFER REAR		1	1	1
174	*302LF22140	2LF22140	HOLDER TRANSFER FRONT		1	1	1

Ref. No.	Part.No.	Alternative.	Description	Notes	Quantity		
					120	230	240
201	7BB700308H	BB105600	+BIND T.T S SCREW 3X8 SR				
202	7BB200410H	BB105700	+BIND T.T P SCREW 4X10				
203	7BB200308H	BB105660	+BIND T.T P SCREW 3X8				
204	7BB180408H	BB111210	+BIND T.T S SCREW 4X8(BLACK)				
205	7BB000304H	BB105720	+BIND M SCREW 3X4				

- Parts with "⊙" indicate regular maintenance parts.
- Parts with Ref.No. indicate maintenance parts and the ones without it indicate out of the above.

- Parts with "*" are component parts or sub-assemblies of the assembly appearing immediately above them.
- Parts with "• •" are component parts or sub-assembly with "•" appearing immediately above them.

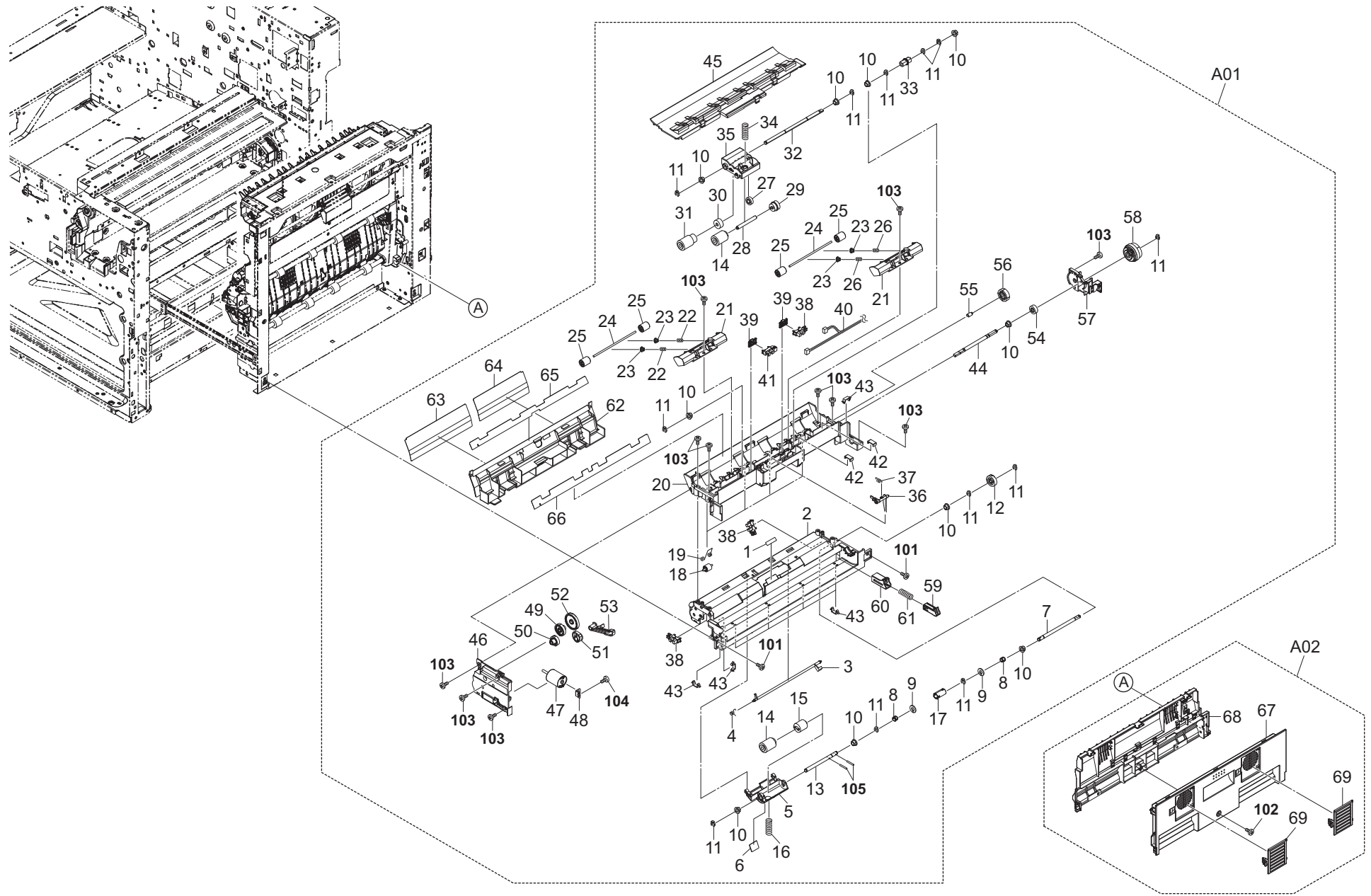


FIG. 17 Paper Conveying Section 2

2LG/2LF-3

Ref. No.	Part.No.	Alternative.	Description	Notes	Quantity		
					120	230	240
⊙ A01	302K994012	2K994012	PARTS MPT ASSY SP		1	1	1
1	*302K908610	2K908610	FILM RETARD		1	1	1
2	*302K908021	2K908021	BASE MPF LOWER		1	1	1
3	*302K908280	2K908280	ACTUATOR FEED MPF		1	1	1
4	*302FZ22870	2FZ22870	SPRING ACTUATOR BYPASS		1	1	1
5	*302K908240	2K908240	HOLDER RETARD MPF		1	1	1
6	*3H610240	3H610240	FELT DUPLEX		1	1	1
7	*302K908501	2K908501	SHAFT RETARD MPF B		1	1	1
8	*302K906180	2K906180	JOINT RETARD DRIVE		2	2	2
9	*302K924820	2K924820	CUT-WASHER 4		2	2	2
10	*302H702590	2H702590	BUSH SCREW		10	10	10
11	*5MVX1111DN003	2A806250	RING STOPPER /A-49 FEED A4		12	12	12
⊙ 12	*302K908420	2K908420	GEAR RETARD MPF Z24L		1	1	1
13	*302K908491	2K908491	SHAFT RETARD MPF A		1	1	1
14	*2AR07230	2AR07230	PULLEY,SEPARATION		2	2	2
15	*302K906750	2K906750	TORQUE-LIMITER 390		1	1	1
16	*302K908540	2K908540	SPRING RETARD MPF		1	1	1
17	*302K906140	2K906140	COUPLING PRIMARY FEED DRIVE		1	1	1
18	*302F925160	2F925160	PULLEY FACE UP		4	4	4
19	*302K924770	2K924770	SPRING HOLDER PULLEY		4	4	4
20	*302K908011	2K908011	BASE MPF UPPER		1	1	1
21	*302K908250	2K908250	HOLDER MIDDLE PULLEY		2	2	2
22	*302LF08010	2LF08010	SPRING MIDDLE		2	2	2
23	*2FM04150	5MVM163DN005	CAP SPRING /B-11 ENCLOSURE A4		4	4	4
24	*302K324460	2K324460	SHAFT FEED		2	2	2
25	*302H722760	2H722760	PULLEY MIDDLE A		4	4	4
26	*302K908700	2K908700	SPRING MIDDLE R		2	2	2
⊙ 27	*302F906030	2F906030	GEAR FEED Z26H		1	1	1
28	*302K908300	2K908300	SHAFT PICKUP MPF		1	1	1
⊙ 29	*302K908350	2K908350	GEAR Z30R PICKUP		1	1	1
⊙ 30	*302K994540	2K994540	PARTS GEAR Z30R ONE-WAY SP		1	1	1
31	*2AR07220	2AR07220	PULLEY,PAPER FEED		1	1	1
32	*302K908471	2K908471	SHAFT FEED MPF A		1	1	1
33	*302FB06151	2FB06151	JOINT DRIVE		1	1	1
34	*302K908530	2K908530	SPRING PICKUP MPF		1	1	1
35	*302K908230	2K908230	HOLDER FEED MPF		1	1	1
36	*302K908290	2K908290	ACTUATOR PAPER SET		1	1	1
37	*302K908570	2K908570	SPRING PAPER SET		1	1	1
⊙ 38	*7NXGP1A173LCH01	NX115300	SENSOR OPT.		3	3	3
39	*302K908460	2K908460	MOUNT PI		2	2	2
40	*302K946370	2K946370	WIRE MPF		1	1	1
⊙ 41	*303M894260	3M894260	PARTS SENSOR OPT SP		1	1	1
42	*303LL02330	3LL02330	HOLDER WIRE D		2	2	2
43	*302K931080	2K931080	WIRE STOPPER		7	7	7
44	*302K908480	2K908480	SHAFT FEED MPF B		1	1	1
45	*302K908320	2K908320	GUIDE DU LOWER		1	1	1
46	*302K908261	2K908261	CASE LIFT MOTOR A		1	1	1
⊙ 47	*302LC94200	2LC94200	PARTS MPT LIFT MOTOR ASSY SP		1	1	1
48	*302K908660	2K908660	PLATE DC MOTOR 6		1	1	1

Ref. No.	Part.No.	Alternative.	Description	Notes	Quantity		
					120	230	240
⊙ 49	*302K908370	2K908370	GEAR Z46S-Z18S		1	1	1
⊙ 50	*302K908360	2K908360	WORM-WHEEL 36 Z18S		1	1	1
⊙ 51	*302K908390	2K908390	GEAR LIFT Z25S		1	1	1
⊙ 52	*302K908380	2K908380	GEAR LIFT Z64S		1	1	1
53	*302K908310	2K908310	LEVER LIFT		1	1	1
⊙ 54	*302K908410	2K908410	GEAR RETARD MPF Z17L		1	1	1
55	*302K908450	2K908450	PIN RETARD MPF		1	1	1
⊙ 56	*303LL31440	3LL31440	GEAR Z27R ONEWAY		1	1	1
57	*302K908270	2K908270	COVER CLUTCH		1	1	1
⊙ 58	*303M894090	3M894090	PARTS CLUTCH 50 Z35R SP		1	1	1
59	*302K908630	2K908630	DAMPER MPF B		1	1	1
60	*302K908620	2K908620	DAMPER MPF A		1	1	1
61	*302K908640	2K908640	SPRING DAMPER		1	1	1
62	*302K908440	2K908440	GUIDE MIDDLE MPF		1	1	1
63	*302K908670	2K908670	SHEET MPF F		1	1	1
64	*302K908680	2K908680	SHEET MPF R		1	1	1
65	*302K908590	2K908590	FILM MIDDLE GUIDE		1	1	1
66	*302K908691	2K908691	FILM DU GUIDE B		1	1	1
⊙ A02	302LC94470	2LC94470	PARTS COVER GUIDE DU L ASSY SP		1	1	1
67	*302K929070	2K929070	COVER DU		1	1	1
68	*302K929080	2K929080	GUIDE COVER DU		1	1	1
69	*302K929380	2K929380	LID FILTER DU		2	2	2
101	7BB180408H	BB111210	+BIND T.T S SCREW 4X8(BLACK)				
102	7BB280410H	BB111250	+BIND T.T P SCREW 4X10(BLACK)				
103	7BB200410H	BB105700	+BIND T.T P SCREW 4X10				
104	7BB200308H	BB105660	+BIND T.T P SCREW 3X8				
105	5MBP2012WXSP	E0020120	SPRING PIN / M2 X 12 S-BLK				

- Parts with "⊙" indicate regular maintenance parts.
- Parts with Ref.No. indicate maintenance parts and the ones without it indicate out of the above.

- Parts with "*" are component parts or sub-assemblies of the assembly appearing immediately above them.
- Parts with "• •" are component parts or sub-assembly with "•" appearing immediately above them.

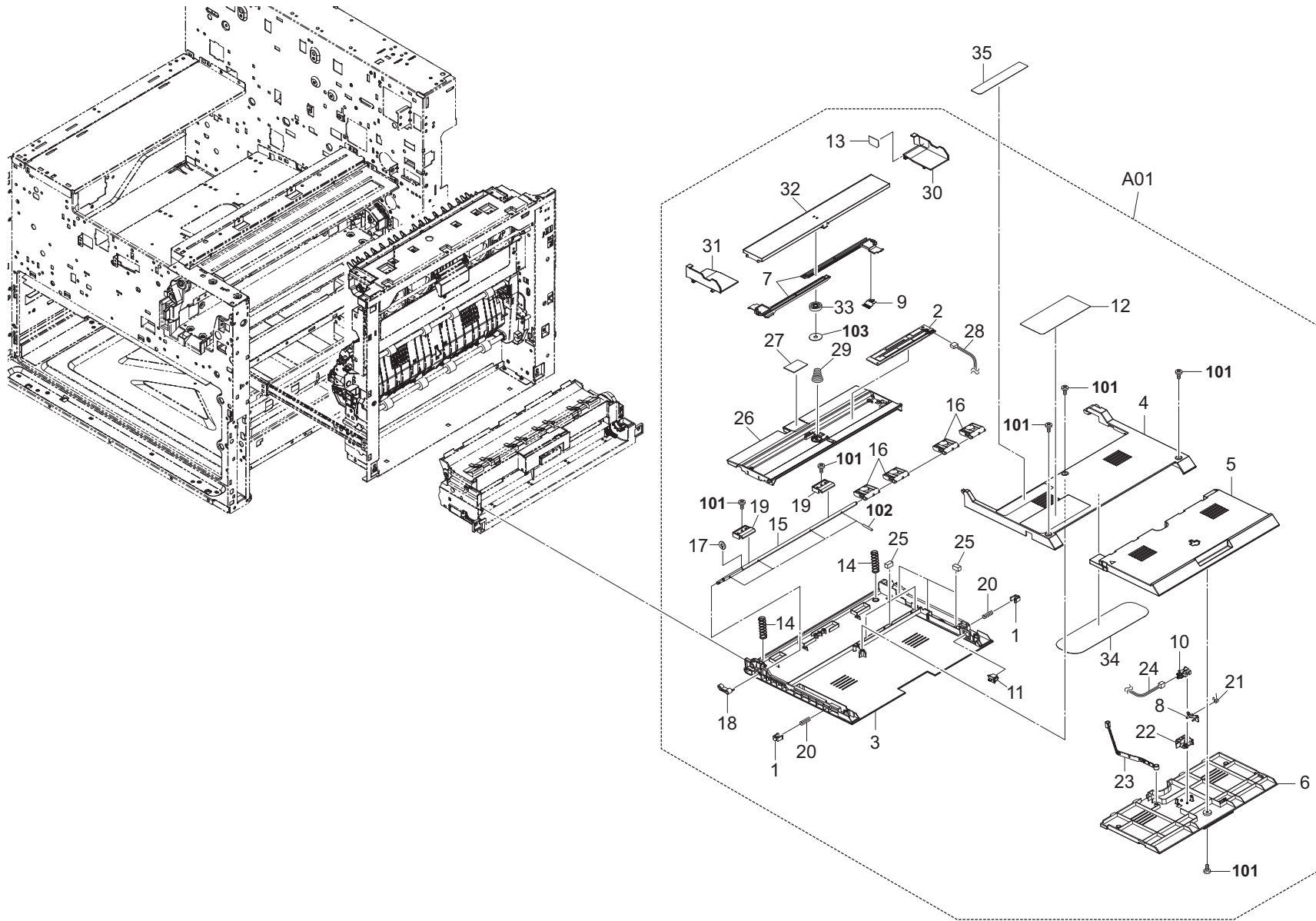


FIG. 18 Paper Conveying Section 3

2LG/2LF-3

Ref. No.	Part.No.	Alternative.	Description	Notes	Quantity		
					120	230	240
⊙ A01	302K994051	2K994051	PARTS MPT TRAY UNIT SP		1	1	1
1	*2FB07330	2FB07330	STOPPER BYPASS TABLE		2	2	2
⊙ 2	*302K994620	2K994620	PARTS PWB MPF SIZE ASSY SP		1	1	1
3	*302K908030	2K908030	TRAY MPF A		1	1	1
4	*302K908040	2K908040	TRAY MPF B		1	1	1
5	*302K908050	2K908050	TRAY MPF C		1	1	1
6	*302K908060	2K908060	TRAY MPF D		1	1	1
7	*302K908120	2K908120	RACK CURSOR MPF		2	2	2
8	*302K908211	2K908211	ACTUATOR SIZE DETECTION		1	1	1
9	*3HL06110	3HL06110	TERMINAL PAPER SIZE		1	1	1
⊙ 10	*7NXGP1A173LCH01	NX115300	SENSOR OPT.		1	1	1
⊙ 11	*7SP01000006+H01	SP121020	SW.PUSH		1	1	1
12	*302LC34061	2LC34061	LABEL MPF CAUTION A		1	1	1
13	*302LC34080	2LC34080	LABEL MPF PAPER LIMIT		1	1	1
14	*302K908200	2K908200	SPRING-COMPRESSION LIFT		2	2	2
15	*302K908190	2K908190	SHAFT LIFT MPF		1	1	1
16	*302K908130	2K908130	ARM LIFT A		4	4	4
17	*302FB09830	2FB09830	CUT WASHER 4		1	1	1
18	*302K908140	2K908140	ARM LIFT B		1	1	1
19	*302K908650	2K908650	HOLDER MPF TABLE		2	2	2
20	*303LL07471	3LL07471	SPRING PF		2	2	2
21	*302K908220	2K908220	SPRING-TORSION SIZE DETECTION		1	1	1
22	*302K908580	2K908580	HOLDER SIZE DETECTION		1	1	1
23	*302K908160	2K908160	GUIDE WIRE TRAY		1	1	1
24	*302K946600	2K946600	WIRE MPF SIZE DETECTION		1	1	1
25	*302H708150	2H708150	SPONGE WIRE MPT		6	6	6
26	*302K908080	2K908080	BASE LIFT		1	1	1
27	*302F909210	2F909210	PAD BOTTOM		1	1	1
28	*302K946380	2K946380	WIRE MPF TRAY		1	1	1
29	*302H712650	2H712650	SPRING DRUM JOINT		1	1	1
30	*302K908110	2K908110	CURSOR MPF R		1	1	1
31	*302K908100	2K908100	CURSOR MPF F		1	1	1
32	*302K908090	2K908090	COVER CURSOR		1	1	1
⊙ 33	*65815060	65815060	IDLE GEAR 40,TONER SUPPLY		1	1	1
34	*302K917100	2K917100	SEAL FRAME ISU		1	1	1
35	302LC34100	2LC34100	LABEL MPF SIZE INDICATOR IN		1		
35	302LC34090	2LC34090	LABEL MPF SIZE INDICATOR ME			1	1

Ref. No.	Part.No.	Alternative.	Description	Notes	Quantity		
					120	230	240
101	7BB282308H	BB111240	+TP-FLAT T.T P SCREW 3X8(BLACK)				
102	7BP512014B0CH01	BP126450	PARALLEL PIN 2.0X14				
103	7BC06062N050H01	BC125260	POLYSLIDER 6.2X22X0.5T				

- Parts with "⊙" indicate regular maintenance parts.
- Parts with Ref.No. indicate maintenance parts and the ones without it indicate out of the above.

- Parts with "*" are component parts or sub-assemblies of the assembly appearing immediately above them.
- Parts with "• •" are component parts or sub-assembly with "•" appearing immediately above them.

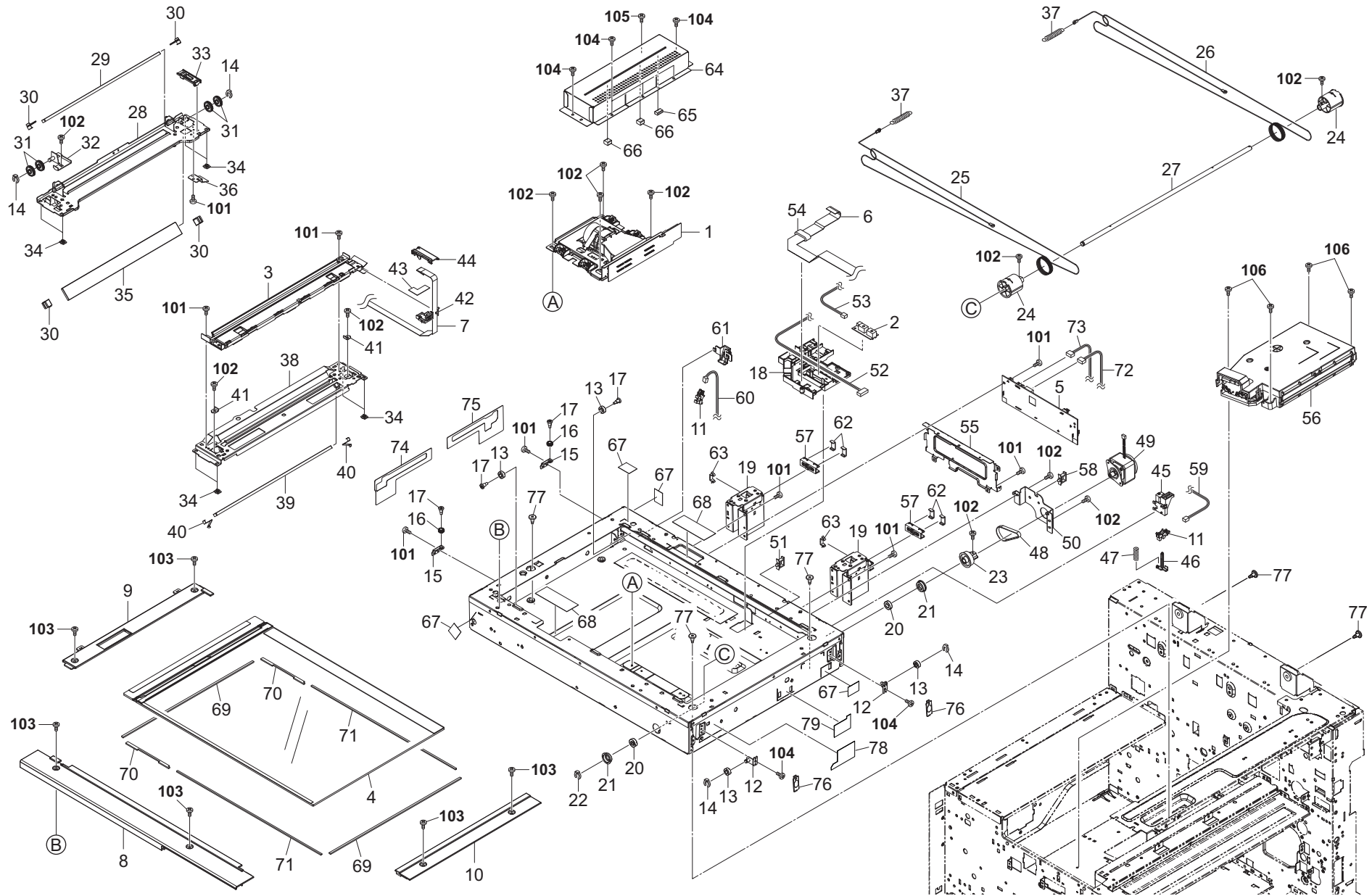


FIG. 19 Scanner & Laser Scanner Section

2LG/2LF-3

Ref. No.	Part.No.	Alternative.	Description	Notes	Quantity		
					120	230	240
⊙ 1	302LK93083	2LK93083	PARTS IMAGE SCANNER L SP		1	1	1
⊙ 2	302H044110	2H044110	SENSOR ORIGINAL		1	1	1
⊙ 3	302K993040	2K993040	PARTS MOUNT LED ASSY SP		1	1	1
⊙ 4	302K994030	2K994030	PARTS CONTACT-GLASS ASSY(I) SP		1		
⊙ 4	302K994040	2K994040	PARTS CONTACT-GLASS ASSY(C) SP			1	1
⊙ 5	302K994231	2K994231	PARTS PWB ISC ASSY SP		1	1	1
6	302K946670	2K946670	WIRE FFC CCD		1	1	1
7	302K946710	2K946710	WIRE FFC LED		1	1	1
8	302K904110	2K904110	COVER ISU FRONT		1	1	1
9	302LC04130	2LC04130	COVER ISU LEFT		1	1	1
10	302LC04140	2LC04140	COVER ISU RIGHT		1	1	1
⊙ 11	7NXGP1S173LCH01	NX116910	SENSOR OPT.		2	2	2
12	302KK17031	2KK17031	MOUNT LEFT PULLEY		2	2	2
13	302H717160	2H717160	PULLEY SCANNER		4	4	4
14	2BC06980	2BC06980	STOPPER 5		4	4	4
15	302GR17860	2GR17860	PLATE PULLEY		2	2	2
16	302K917150	2K917150	PULLEY LEFT FRAME		2	2	2
17	302GR17350	2GR17350	PIN WIRE PULLEY B		4	4	4
18	302K917381	2K917381	GUIDE WIRE ISU		1	1	1
19	302K917280	2K917280	MOUNT DP HINGE		2	2	2
20	7BE008165431H01	BE119730	BEARING 688ZZ		2	2	2
21	302K931960	2K931960	HOLDER BEARING 688ZZ		2	2	2
22	2BC06910	2BC06910	STOPPER 6		1	1	1
23	302K917020	2K917020	PULLEY ISU Z59		1	1	1
24	302H717250	2H717250	DRUM PULLEY		2	2	2
25	302H717381	2H717381	WIRE SCANNER FRONT		1	1	1
26	302H717391	2H717391	WIRE SCANNER REAR		1	1	1
27	302K917060	2K917060	SHAFT ISU		1	1	1
28	302K917091	2K917091	FRAME MIRROR B		1	1	1
29	302GR17280	2GR17280	MIRROR B		1	1	1
30	75712080	75712080	MIRROR HOLDER		4	4	4
31	302H017180	2H017180	PULLEY SCANNER		4	4	4
32	302K317830	2K317830	PLATE ADJUST B		1	1	1
33	302K317160	2K317160	GUIDE FFC LED B		1	1	1
34	2DC12230	2DC12230	SLIDER SCANNER		8	8	8
35	302GR17960	2GR17960	MIRROR C		1	1	1
36	302K917080	2K917080	PLATE SLIT PI		1	1	1
37	302C912291	2C912291	SPRING SCANNER TENSION		2	2	2
38	302K317061	2K317061	FRAME MIRROR A		1	1	1
39	302KK17320	2KK17320	MIRROR A		1	1	1
40	2BC12190	2BC12190	SPRING,MIRROR HOLDER		2	2	2
41	2C912150	2C912150	RETAINER WIRE		2	2	2
42	302K317172	2K317172	GUIDE FFC LED C		1	1	1
43	302K317791	2K317791	SHEET FFC LED		1	1	1
44	302K317310	2K317310	GUIDE FFC LED D		1	1	1
45	302K917130	2K917130	MOUNT RELEASE SWITCH		1	1	1
46	302K917120	2K917120	SWITCH RELEASE		1	1	1
47	302GR17380	2GR17380	SPRING RELEASE SWITCH		1	1	1
48	302K917040	2K917040	BELT ISU		1	1	1

Ref. No.	Part.No.	Alternative.	Description	Notes	Quantity		
					120	230	240
⊙ 49	302K994D40	2K994D40	PARTS MOTOR ISU SP		1	1	1
50	302K917030	2K917030	MOUNT ISU DRIVE		1	1	1
51	7YZM610003++H01	YZ010250	ACCESS SADDLE		1	1	1
52	302K946680	2K946680	WIRE CCD POWER		1	1	1
53	302K946750	2K946750	WIRE ORIGINAL SENSOR		1	1	1
54	7YBFZZ65C001H01	YB110990	FERRITE CORE		1	1	1
55	302K917230	2K917230	MOUNT PWB		1	1	1
⊙ 56	302LF93080	2LF93080	LK-6706	80 ppm	1	1	1
⊙ 56	302LG93010	2LG93010	LK-6705	65 ppm	1	1	1
57	302LF39050	2LF39050	GUIDE WIRE FRONT PWB		2	2	2
58	7YZM610001++H01	YZ010230	ACCESS SADDLE		1	1	1
59	302K946730	2K946730	WIRE OPEN SENSOR		1	1	1
60	302K946A90	2K946A90	WIRE HP SENSOR		1	1	1
61	302K317330	2K317330	MOUNT PI		1	1	1
62	303LL02330	3LL02330	HOLDER WIRE D		4	4	4
63	302K931080	2K931080	WIRE STOPPER		2	2	2
64	302K917400	2K917400	COVER ISU		1	1	1
65	7ZGSSTG58014H01	ZG128680	SHIELD GASKET		1	1	1
66	7ZG65TSV+010H01	ZG111180	SHIELD GASKET		2	2	2
67	302H717440	2H717440	SEAL FRAME SIDE B		4	4	4
68	302K317660	2K317660	FILM FRAME		2	2	2
69	302K317650	2K317650	SEAL FRAME ISU C		2	2	2
70	302K317450	2K317450	SEAL FRAME ISU A		2	2	2
71	302K317460	2K317460	SEAL FRAME ISU B		2	2	2
72	302K946700	2K946700	WIRE CCD DATA		1	1	1
73	302K946720	2K946720	WIRE ISC-MAIN		1	1	1
74	302K917170	2K917170	FILM FRAME SIDE F		1	1	1
75	302K917180	2K917180	FILM FRAME SIDE R		1	1	1
76	302K917240	2K917240	CAP PULLEY ISU		2	2	2
77	302GR17180	2GR17180	PIN SCANNER RETAINING		5	5	5
78	302K917310	2K917310	SHEET ISU A		1	1	1
79	302K917320	2K917320	SHEET ISU B		1	1	1
101	7BB700308H	BB105600	+BIND T.T S SCREW 3X8 SR				
102	7BB606308H	BB105280	+PAN M SCREW WITH SW W 3X8 R				
103	7BB180408H	BB111210	+BIND T.T S SCREW 4X8(BLACK)				
104	7BB700306H	BB105590	+BIND T.T S SCREW 3X6 SR				
105	7BB200308H	BB105660	+BIND T.T P SCREW 3X8				
106	7BB700408H	BB105640	+BIND T.T S SCREW 4X8 SR				

- Parts with "⊙" indicate regular maintenance parts.
- Parts with Ref.No. indicate maintenance parts and the ones without it indicate out of the above.

- Parts with "*" are component parts or sub-assemblies of the assembly appearing immediately above them.
- Parts with "••" are component parts or sub-assembly with "•" appearing immediately above them.

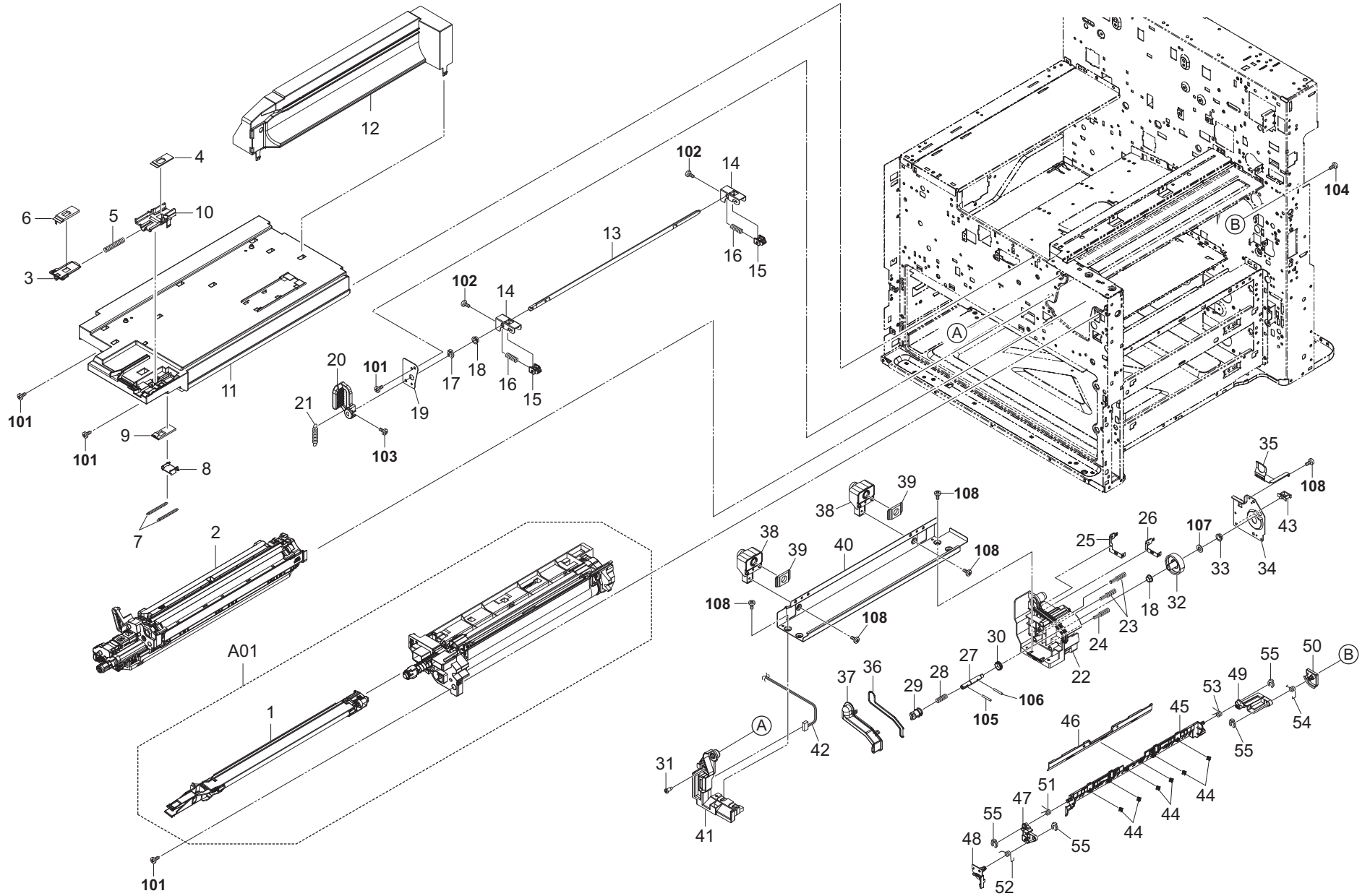


FIG. 20 Image Formation & Developer Section

2LG/2LF-3

Ref. No.	Part.No.	Alternative.	Description	Notes	Quantity		
					120	230	240
⊙ A01	302LF93015	2LF93015	DK-6705		1	1	1
⊙ 1	*302LF93021	2LF93021	MC-6705		1	1	1
⊙ 2	302LF93033	2LF93033	DV-6705		1	1	1
3	302H703100	2H703100	SHUTTER PIPE UP		1	1	1
4	302H703130	2H703130	SEAL PIPE DLP UP		1	1	1
5	302H703240	2H703240	SPRING PIPE UP		1	1	1
6	302H703570	2H703570	SEAL CONT SHUTTER		1	1	1
7	302K914370	2K914370	SPRING SHUTTER		2	2	2
8	302K915240	2K915240	SHUTTER HOPPER UP		1	1	1
9	302K915320	2K915320	SEAL SHUTTER		1	1	1
10	302H703542	2H703542	PIPE DLP UP		1	1	1
11	302LF03710	2LF03710	BASE GUIDE CONTAINER		1	1	1
12	302LH03730	2LH03730	RAIL CONTAINER L		1	1	1
13	302LF02220	2LF02220	SHAFT CAM		1	1	1
14	302LF02240	2LF02240	MOUNT CAM		2	2	2
15	302LF02230	2LF02230	CAM DLP PRESS		2	2	2
16	302LF02250	2LF02250	SPRING CAM		2	2	2
17	2BC06980	2BC06980	STOPPER 5		1	1	1
18	302H024830	2H024830	BUSH 8		2	2	2
19	302LF02210	2LF02210	PLATE PRESS LEVER		1	1	1
20	302LF02260	2LF02260	LEVER DLP RAIL		1	1	1
21	302LF02180	2LF02180	SPRING LEVER DLP		1	1	1
22	302LF02122	2LF02122	ARM RAIL R		1	1	1
23	302K939360	2K939360	SPRING HV		2	2	2
24	302K939200	2K939200	SPRING HV		1	1	1
25	302LF02150	2LF02150	TERMINAL MAG		1	1	1
26	302LF02160	2LF02160	TERMINAL SLEEVE		1	1	1
27	302K931180	2K931180	SHAFT DLP DRIVE		1	1	1
28	302BG22531	2BG22531	SPRING COUPLING DLP		1	1	1
29	302FZ31250	2FZ31250	COUPLING DLP DRIVE		1	1	1
30	302FZ31280	2FZ31280	COLLAR DLP COUPLING		1	1	1
31	2FB06710	2FB06710	PIN CASSETTE RAIL		1	1	1
⊙ 32	302K931190	2K931190	GEAR Z74R		1	1	1
33	302H702590	2H702590	BUSH SCREW		1	1	1
34	302LF02190	2LF02190	RETAINER DLP DRIVE		1	1	1
35	302LF02390	2LF02390	PLATE EARTH DRIVE		1	1	1
36	302LF02140	2LF02140	SEAL TONER DUCT		1	1	1
37	302LF02130	2LF02130	COVER TONER DUCT		1	1	1
38	302LF02420	2LF02420	DUCT COOLING		2	2	2
39	302LF02430	2LF02430	SEAL COOLING DUCT		2	2	2
40	302LF02100	2LF02100	RAIL DLP		1	1	1
41	302LF02110	2LF02110	ARM RAIL F		1	1	1
42	302LF46640	2LF46640	WIRE DEVELOPER JOINT		1	1	1
43	7YZM610001++H01	YZ010230	ACCESS SADDLE		1	1	1
44	2A118370	2A118370	PULLEY,DRUM SEPARATION		6	6	6
45	302LF02280	2LF02280	COVER DRUM		1	1	1
46	302LF02350	2LF02350	STAY DRUM COVER		1	1	1
47	302LF02291	2LF02291	ARM COVER DRUM FRONT		1	1	1
48	302LF02370	2LF02370	MOUNT COVER DRUM FRONT		1	1	1

Ref. No.	Part.No.	Alternative.	Description	Notes	Quantity		
					120	230	240
49	302LF02301	2LF02301	ARM COVER DRUM REAR		1	1	1
50	302LF02360	2LF02360	MOUNT COVER DRUM REAR		1	1	1
51	302LF02310	2LF02310	SPRING-TORSION ARM A FRONT		1	1	1
52	302LF02330	2LF02330	SPRING-TORSION ARM B FRONT		1	1	1
53	302LF02320	2LF02320	SPRING-TORSION ARM A REAR		1	1	1
54	302LF02340	2LF02340	SPRING-TORSION ARM B REAR		1	1	1
55	5MVX111DN003	2A806250	RING STOPPER /A-49 FEED A4		4	4	4
101	7BB700408H	BB105640	+BIND T.T S SCREW 4X8 SR				
102	7BB700312H	BB106820	+BIND T.T S SCREW 3X12 SR				
103	7BB600308H	BB055190	+BIND M SCREW 3X8 R				
104	7BB200410H	BB105700	+BIND T.T P SCREW 4X10				
105	E5125120	E5125120	PARALLEL PIN H7A 2.5X12 SUS				
106	E5125160	E5125160	PARALLEL PIN H7A 2.5X16 SUS				
107	7BC06062A0A0H01	BC056490	POLY SLIDER WASHER 6.2X10X1.0T				
108	7BB200308H	BB105660	+BIND T.T P SCREW 3X8				

- Parts with "⊙" indicate regular maintenance parts.
- Parts with Ref.No. indicate maintenance parts and the ones without it indicate out of the above.

- Parts with "*" are component parts or sub-assemblies of the assembly appearing immediately above them.
- Parts with "••" are component parts or sub-assembly with "•" appearing immediately above them.

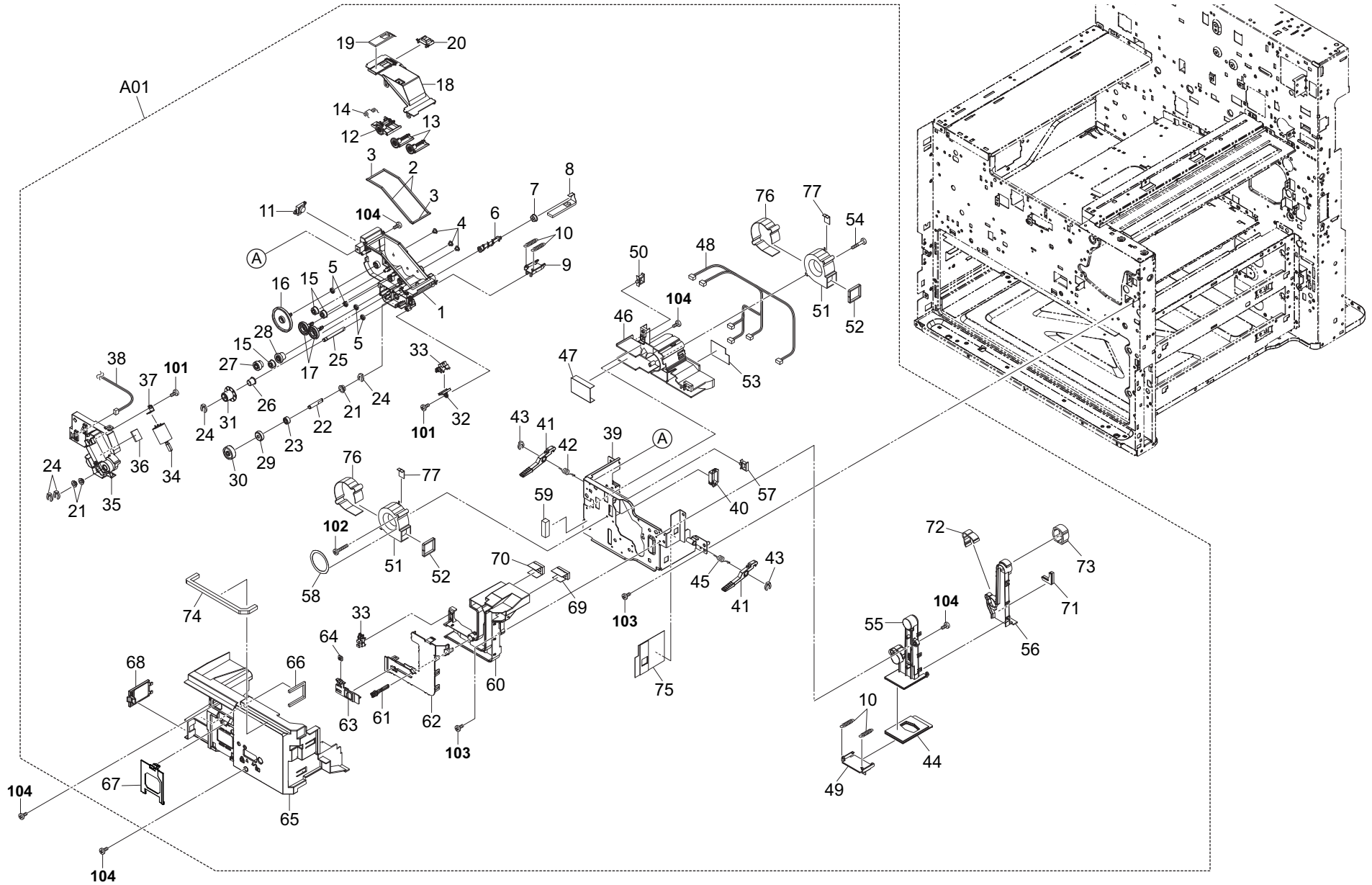


FIG. 21 Inner Section 1

2LG/2LF-3

Ref. No.	Part.No.	Alternative.	Description	Notes	Quantity		
					120	230	240
⊙ A01	302LF94040	2LF94040	PARTS INNER UNIT SP		1	1	1
1	*302LF15012	2LF15012	CASE TONER HOPPER		1	1	1
2	*302LF15170	2LF15170	SPONGE HOPPER A		2	2	2
3	*302K915360	2K915360	SPONGE HOPPER B		2	2	2
4	*302K915470	2K915470	CAP TONER		3	3	3
5	*302KY12020	2KY12020	OIL SEAL		4	4	4
6	*302K915070	2K915070	SCREW TONER SUPPLY		1	1	1
7	*302FZ23260	2FZ23260	CAP SCREW		1	1	1
8	*302K915380	2K915380	SEAL HOPPER LOW		1	1	1
9	*302K915230	2K915230	SHUTTER HOPPER LOW		1	1	1
10	*302H703140	2H703140	SPRING PIPE LOW		4	4	4
⊙ 11	*3033915181	33915181	TONER EMPTY DETECTION SENSOR		1	1	1
12	*302K915110	2K915110	PADDLE TONER SUPPLY A		1	1	1
13	*302K915120	2K915120	PADDLE TONER SUPPLY B		2	2	2
14	*302K915390	2K915390	SPRING TONER SENSOR A		1	1	1
⊙ 15	*302LF15030	2LF15030	GEAR Z15S IDLE		3	3	3
⊙ 16	*302LF15070	2LF15070	GEAR Z60S		1	1	1
⊙ 17	*302K915180	2K915180	GEAR Z30S		2	2	2
18	*302LF15020	2LF15020	LID TONER HOPPER		1	1	1
19	*302K915370	2K915370	SEAL HOPPER UP		1	1	1
20	*302K915460	2K915460	SHUTTER HOPPER UP		1	1	1
21	*2A116180	2A116180	BUSHING,TRANSFER		3	3	3
22	*302K915330	2K915330	SHAFT DRIVE		1	1	1
⊙ 23	*302K915400	2K915400	GEAR Z14S		1	1	1
24	*5MVX111DN003	2A806250	RING STOPPER /A-49 FEED A4		4	4	4
25	*302LF15050	2LF15050	SHAFT TONER SUPPLY		1	1	1
26	*302K915450	2K915450	BUSH SCREW		1	1	1
⊙ 27	*302K915160	2K915160	GEAR Z21S-Z15S		1	1	1
⊙ 28	*302K915210	2K915210	GEAR Z32R-Z14S		1	1	1
⊙ 29	*302K915200	2K915200	GEAR Z21S		1	1	1
⊙ 30	*302K915190	2K915190	GEAR Z48L		1	1	1
⊙ 31	*302K915080	2K915080	GEAR Z32L		1	1	1
32	*302K921410	2K921410	MOUNT PI		1	1	1
33	*7NXGP1A173LCH01	NX115300	SENSOR OPT.		2	2	2
⊙ 34	*302LC94190	2LC94190	PARTS CONV RELEASE MOTOR ASSY SP		1	1	1
35	*302LF15080	2LF15080	HOLDER TONER MOTOR		1	1	1
36	*302LC31511	2LC31511	SEAL MOTOR DC		1	1	1
37	*302K908660	2K908660	PLATE DC MOTOR 6		1	1	1
38	*302K946A80	2K946A80	WIRE TONER LEVEL SENSOR		1	1	1
39	*302LF03021	2LF03021	PLATE INNER FRAME		1	1	1
40	*7YZM210003++H01	YZ037970	ACCESS.EDGING		1	1	1
41	*302LF03080	2LF03080	LEVER HOOK		2	2	2
42	*302LF03410	2LF03410	SPRING LEVER L		1	1	1
43	*2BC06910	2BC06910	STOPPER 6		2	2	2
44	*302LF03540	2LF03540	SEAL SHUTTER DUCT		1	1	1
45	*302LF03400	2LF03400	SPRING LEVER R		1	1	1
46	*302LF03250	2LF03250	DUCT DLP		1	1	1
47	*302LF03900	2LF03900	SEAL DUCT DLP A		1	1	1
48	*302LF46190	2LF46190	WIRE RETAINER		1	1	1

Ref. No.	Part.No.	Alternative.	Description	Notes	Quantity		
					120	230	240
49	*302LF03530	2LF03530	SHUTTER DUCT WASTE		1	1	1
50	*7YZM610001++H01	YZ010230	ACCESS SADDLE		1	1	1
⊙ 51	*302LC94380	2LC94380	PARTS FAN COOLING LSU 60 SP		2	2	2
52	*302K903250	2K903250	SPONGE FAN		2	2	2
53	*302LF03070	2LF03070	SHEET DUCT DLP		1	1	1
54	*302H733430	2H733430	SCREW FAN		1	1	1
55	*302LF03520	2LF03520	DUCT WASTE B		1	1	1
56	*302LF03511	2LF03511	DUCT WASTE A		1	1	1
57	*7YZM390002++H01	YZ012140	ACCESS.CLAMP		1	1	1
58	*302LC33540	2LC33540	SEAL INNER COOLING C		1	1	1
59	*302LF03910	2LF03910	SEAL DUCT DLP B		1	1	1
60	*302LF03371	2LF03371	DUCT DRUM		1	1	1
61	*302LF03011	2LF03011	LEVER CASS SHUTTER		1	1	1
62	*302LF03380	2LF03380	LID DRUM DUCT		1	1	1
63	*302LF03460	2LF03460	WORK PLATE CASS		1	1	1
64	*5MMS111SL002	2BY20050	NUT FUSER A /FS-1800/3800 A4		1	1	1
65	*302LF03041	2LF03041	COVER INNER		1	1	1
66	*302LF03920	2LF03920	SEAL DUCT DLP C		1	1	1
⊙ 67	*302LF94310	2LF94310	PARTS FILTER DRUM SP		1	1	1
⊙ 68	*302LF94320	2LF94320	PARTS FILTER DLP SP		1	1	1
69	*302LF03930	2LF03930	SEAL DUCT DRUM A		1	1	1
70	*302LF03940	2LF03940	SEAL DUCT DRUM B		1	1	1
71	*302LF03960	2LF03960	SEAL DUCT CASS A		1	1	1
72	*302LF03970	2LF03970	SEAL DUCT CASS B		1	1	1
73	*302LF03980	2LF03980	SEAL DUCT DRUM C		1	1	1
74	*302LF03990	2LF03990	SEAL INNER		1	1	1
75	*302LF03280	2LF03280	FILM INNER FRAME		1	1	1
76	*302K903860	2K903860	SEAL COOLING FAN A		2	2	2
77	*302K903870	2K903870	SEAL COOLING FAN B		2	2	2
101	7BB200308H	BB105660	+BIND T.T P SCREW 3X8				
102	7BB700330H	BB106840	+BIND T.T S SCREW 3X30 SR				
103	7BB700408H	BB105640	+BIND T.T S SCREW 4X8 SR				
104	7BB700308H	BB105600	+BIND T.T S SCREW 3X8 SR				

- Parts with "⊙" indicate regular maintenance parts.
- Parts with Ref.No. indicate maintenance parts and the ones without it indicate out of the above.

- Parts with "*" are component parts or sub-assemblies of the assembly appearing immediately above them.
- Parts with "••" are component parts or sub-assembly with "•" appearing immediately above them.

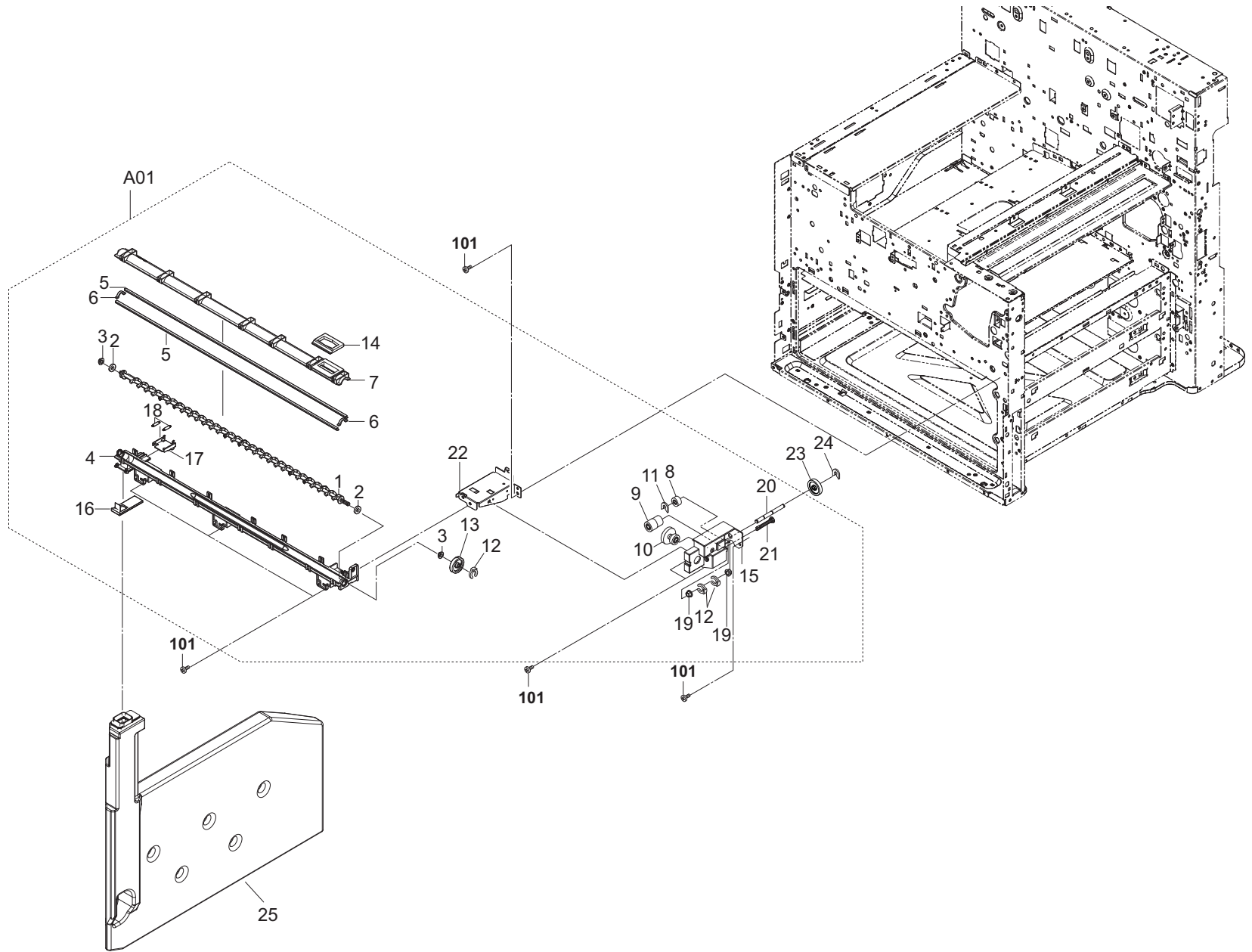


FIG. 22 Inner Section 2

2LG/2LF-3

Ref. No.	Part.No.	Alternative.	Description	Notes	Quantity		
					120	230	240
⊙ A01	302LF94130	2LF94130	PARTS PIPE WASTE ASSY SP		1	1	1
1	*302LF03110	2LF03110	SCREW WASTE		1	1	1
2	*302H703430	2H703430	SEAL SCREW		2	2	2
3	*2A116180	2A116180	BUSHING,TRANSFER		2	2	2
4	*302LF03061	2LF03061	PIPE WASTE LOWER		1	1	1
5	*302LF03090	2LF03090	SEAL PIPE WASTE A		2	2	2
6	*302H703740	2H703740	SEAL PIPE WASTE B		2	2	2
7	*302LF03051	2LF03051	PIPE WASTE UPPER		1	1	1
8	*302K903140	2K903140	GEAR Z18S		1	1	1
⊙ 9	*302K903180	2K903180	GEAR IDLE Z20S-Z15R		1	1	1
⊙ 10	*302K903240	2K903240	GEAR Z36S-Z15R		1	1	1
11	*302FB09830	2FB09830	CUT WASHER 4		1	1	1
12	*5MVX1111DN003	2A806250	RING STOPPER /A-49 FEED A4		3	3	3
⊙ 13	*302K903130	2K903130	GEAR Z35S		1	1	1
14	*302LF03120	2LF03120	SEAL PIPE UPPER		1	1	1
15	*302LF03220	2LF03220	HOLDER DRIVE		1	1	1
16	*302LF03100	2LF03100	SEAL PIPE BOTTLE		1	1	1
17	*302LC03451	2LC03451	SHUTTER PIPE LOWER		1	1	1
18	*302LK03A50	2LK03A50	SPRING PIPE LOW		2	2	2
19	*302H702590	2H702590	BUSH SCREW		2	2	2
20	*302LF03150	2LF03150	SHAFT DRIVE A		1	1	1
21	*302K903200	2K903200	SHAFT DRIVE B		1	1	1
22	*302LF03360	2LF03360	MOUNT PIPE		1	1	1
⊙ 23	302K903130	2K903130	GEAR Z35S		1	1	1
24	302FB09830	2FB09830	CUT WASHER 4		1	1	1
25	1902K90UN0	092K90UN	WT-861/WASTE TONER BOTTLE	OPTION	1	1	1

Ref. No.	Part.No.	Alternative.	Description	Notes	Quantity		
					120	230	240
101	7BB700408H	BB105640	+BIND T.T S SCREW 4X8 SR				

- Parts with "⊙" indicate regular maintenance parts.
- Parts with Ref.No. indicate maintenance parts and the ones without it indicate out of the above.

- Parts with "*" are component parts or sub-assemblies of the assembly appearing immediately above them.
- Parts with "•" are component parts or sub-assembly with "*" appearing immediately above them.

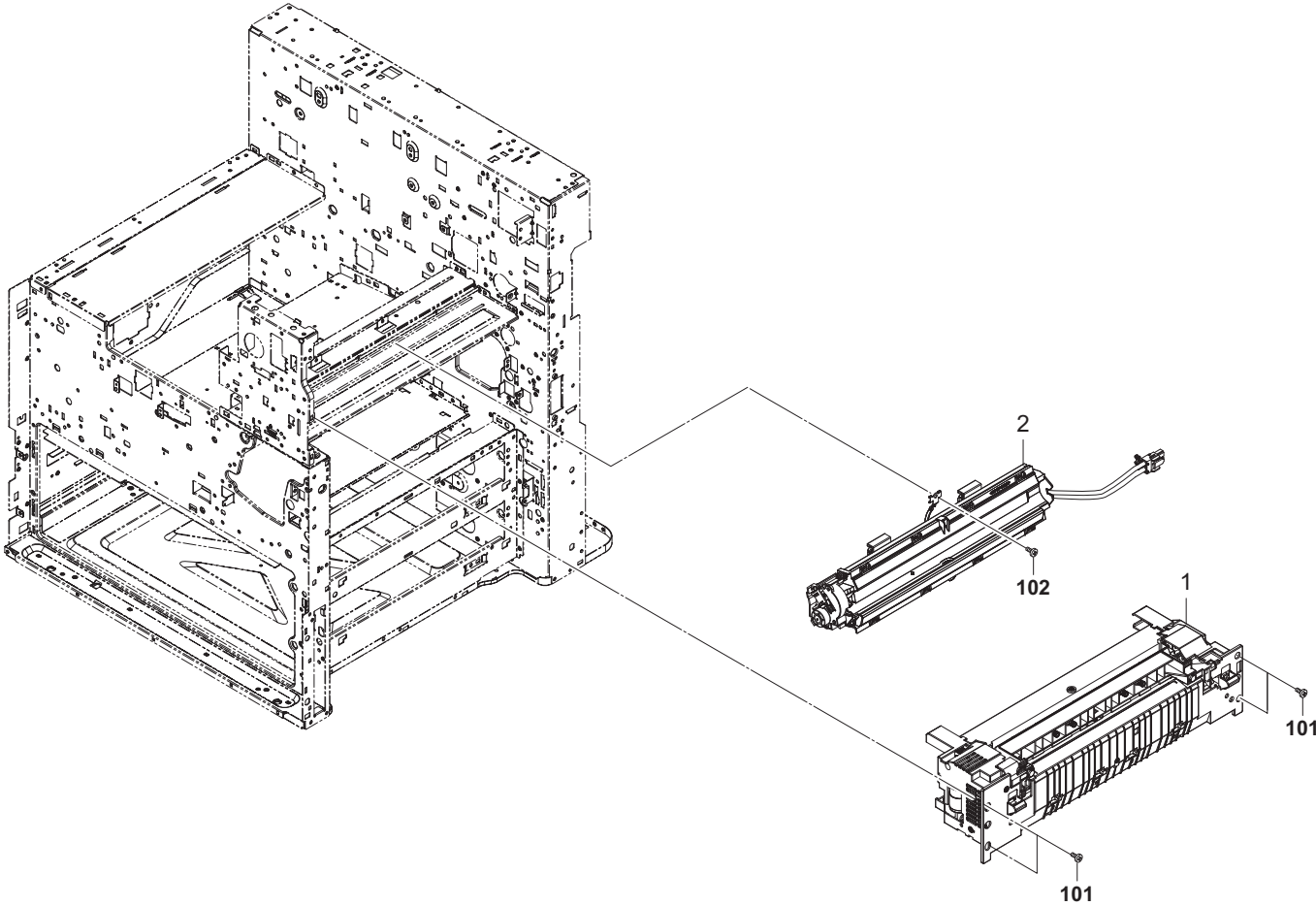


FIG. 23 Fuser Section

2LG/2LF-3

	Ref. No.	Part.No.	Alternative.	Description	Notes	Quantity		
						120	230	240
⊙	1	302LF93055	2LF93055	FK-6706		1		
⊙	1	302LF93065	2LF93065	FK-6707			1	1
⊙	2	302K993140	2K993140	FK-8708 IH		1		
⊙	2	302K993150	2K993150	FK-8709 IH			1	1

	Ref. No.	Part.No.	Alternative.	Description	Notes	Quantity		
						120	230	240
	101	7BB700412H	BB106830	+BIND T.T S SCREW 4X12 SR				
	102	7BB700408H	BB105640	+BIND T.T S SCREW 4X8 SR				

- Parts with "⊙" indicate regular maintenance parts.
- Parts with Ref.No. indicate maintenance parts and the ones without it indicate out of the above.

- Parts with "*" are component parts or sub-assemblies of the assembly appearing immediately above them.
- Parts with "••" are component parts or sub-assembly with "•" appearing immediately above them.

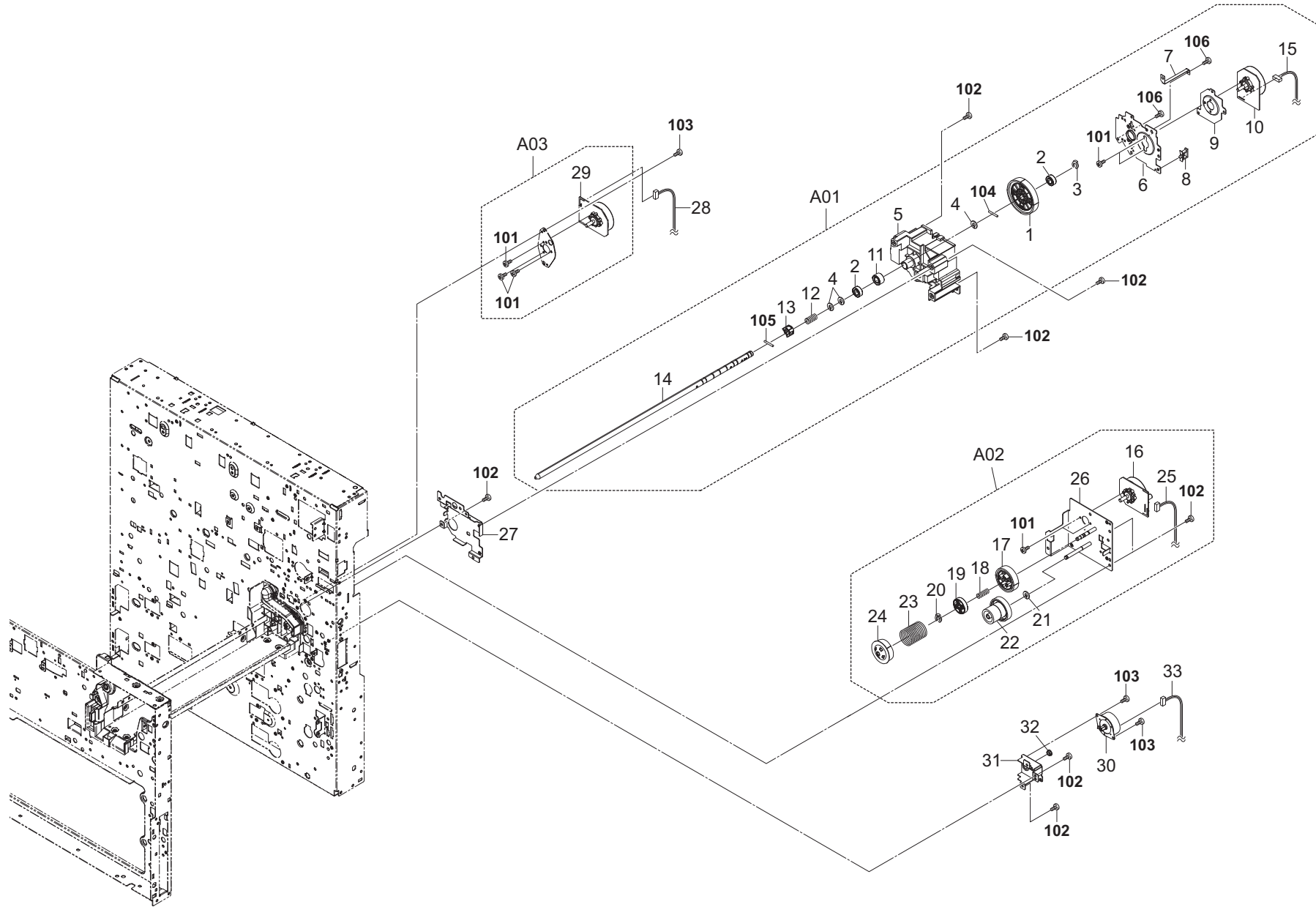


FIG. 24 Drive Section 1

2LG/2LF-3

Ref. No.	Part.No.	Alternative.	Description	Notes	Quantity		
					120	230	240
⊙ A01	302LF93071	2LF93071	PARTS DRUM DRIVE H SP		1	1	1
⊙ 1	*302K931030	2K931030	GEAR Z160R		1	1	1
2	*7BE010197431H01	BE119740	BEARING 680ZZ(7MM)		2	2	2
3	*302K921120	2K921120	STOPPER 8		1	1	1
4	*302K931840	2K931840	CUT-WASHER 8X17		3	3	3
5	*302K931012	2K931012	HOLDER DRUM DRIVE		1	1	1
6	*302K931021	2K931021	PLATE DRUM DRIVE		1	1	1
7	*302K931070	2K931070	PLATE EARTH DRUM		1	1	1
8	*7YZM610001++H01	YZ010230	ACCESS SADDLE		1	1	1
9	*302K931100	2K931100	PLATE MOTOR DRUM		1	1	1
⊙ 10	*302LC94461	2LC94461	PARTS MOTOR-BL W20 DRUM Z11 SP		1	1	1
11	*302K931060	2K931060	HOLDER BEARING SUPPORT		1	1	1
12	*302LC31070	2LC31070	SPRING DRUM JOINT		1	1	1
13	*302K931130	2K931130	COUPLING DRUM		1	1	1
14	*302K931040	2K931040	SHAFT DRUM DRIVE		1	1	1
15	*302LF46290	2LF46290	WIRE DRUM MOT		1	1	1
⊙ A02	302K994692	2K994692	PARTS FUSER DRIVE UNIT SP		1	1	1
⊙ 16	*302K994331	2K994331	PARTS MOTOR-BL W30 SP		1	1	1
⊙ 17	*302K931620	2K931620	GEAR Z90R JOINT		1	1	1
18	*302H731650	2H731650	SPRING PADDLE CONT D		1	1	1
19	*302K931640	2K931640	JOINT FUSER DRIVE		1	1	1
20	*5MVX111DN003	2A806250	RING STOPPER /A-49 FEED A4		1	1	1
21	*302LC31640	2LC31640	CUT WASHER 5X10		1	1	1
⊙ 22	*302K931670	2K931670	GEAR Z67S-Z25S		1	1	1
23	*302K931660	2K931660	SPRING JOINT		1	1	1
⊙ 24	*302K931630	2K931630	GEAR Z50S JOINT		1	1	1
25	*302K946100	2K946100	WIRE FUSER MOTOR H		1	1	1
26	*302K931612	2K931612	PLATE FUSER DRIVE		1	1	1
27	302LF31630	2LF31630	MOUNT DRUM DRIVE		1	1	1
28	302LF46280	2LF46280	WIRE DLP MOT		1	1	1
⊙ A03	302LF94120	2LF94120	PARTS DLP MOTOR ASSY(Z) SP		1	1	1
⊙ 29	*302K994891	2K994891	PARTS MOTOR-BL W30 DLP SP		1	1	1
⊙ 30	302K994300	2K994300	PARTS MOTOR PM FEED SP		1	1	1
31	302LF31610	2LF31610	PLATE REGIST DRIVE		1	1	1
32	2A116180	2A116180	BUSHING.TRANSFER		1	1	1
33	302K946550	2K946550	WIRE REGIST MOTOR		1	1	1

Ref. No.	Part.No.	Alternative.	Description	Notes	Quantity		
					120	230	240
101	7BB000304H	BB105720	+BIND M SCREW 3X4				
102	7BB700408H	BB105640	+BIND T.T S SCREW 4X8 SR				
103	7BB700308H	BB105600	+BIND T.T S SCREW 3X8 SR				
104	7BP513040B0CH01	BP126470	PARALLEL PIN 3.0X40				
105	7BP513012B0CH01	BP126430	PARALLEL PIN 3.0X12				
106	7BB200410H	BB105700	+BIND T.T P SCREW 4X10				

- Parts with "⊙" indicate regular maintenance parts.
- Parts with Ref.No. indicate maintenance parts and the ones without it indicate out of the above.

- Parts with "*" are component parts or sub-assemblies of the assembly appearing immediately above them.
- Parts with "••" are component parts or sub-assembly with "•" appearing immediately above them.

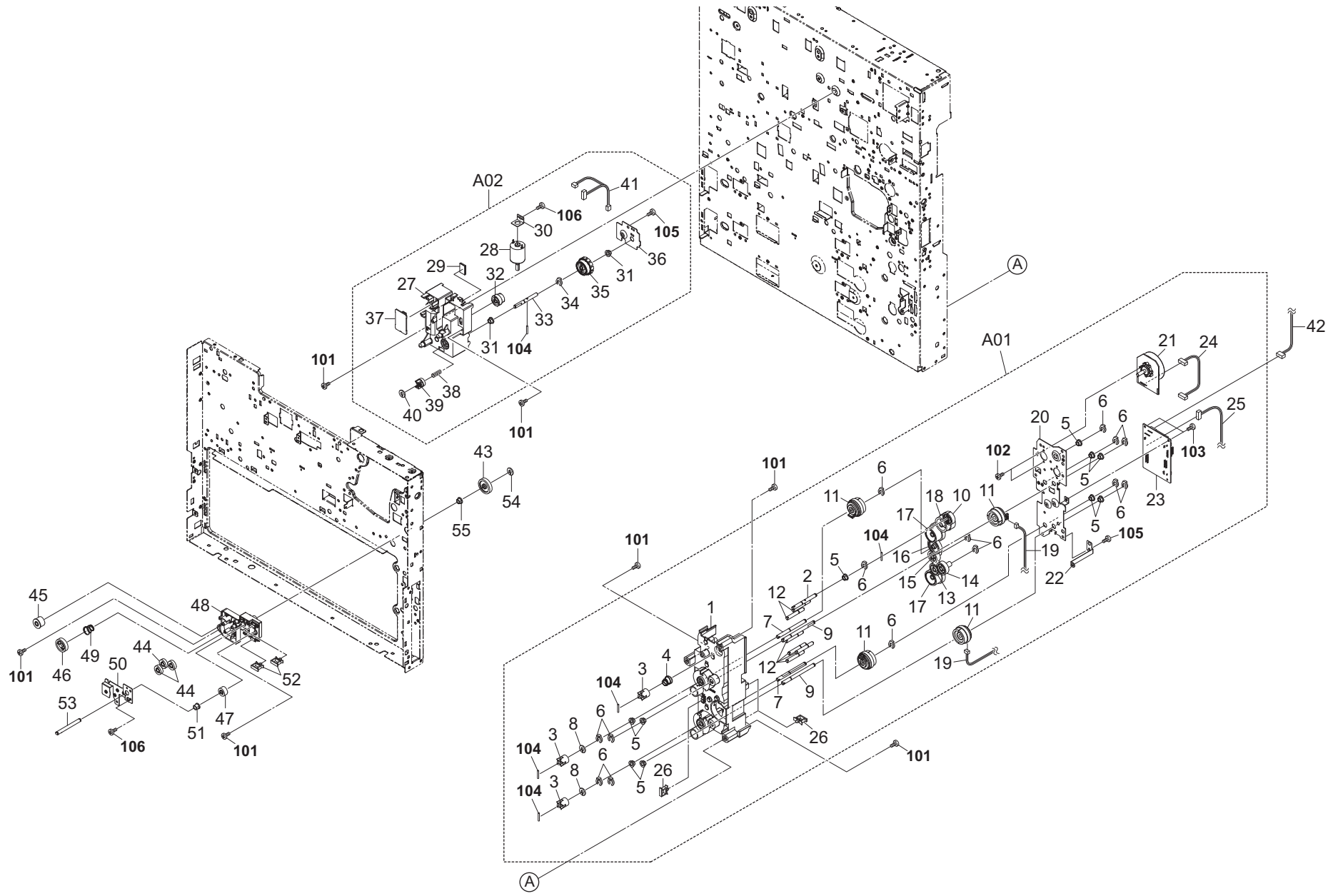


FIG. 25 Drive Section 2

2LG/2LF-3

Ref. No.	Part.No.	Alternative.	Description	Notes	Quantity		
					120	230	240
⊙ A01	302K993020	2K993020	PARTS FEED DRIVE H UNIT SP		1	1	1
1	*302K931411	2K931411	HOLDER FEED DRIVE		1	1	1
2	*302K931441	2K931441	SHAFT MID DRIVE		1	1	1
3	*302K931530	2K931530	COUPLING DRIVE		3	3	3
4	*302H712650	2H712650	SPRING DRUM JOINT		1	1	1
5	*302H702590	2H702590	BUSH SCREW		10	10	10
6	*5MVX1111DN003	2A806250	RING STOPPER /A-49 FEED A4		14	14	14
7	*302K931430	2K931430	SHAFT FEED DRIVE		2	2	2
8	*302K924820	2K924820	CUT-WASHER 4		2	2	2
9	*302K931480	2K931480	SHAFT ASSIST DRIVE		2	2	2
⊙ 10	*302K931490	2K931490	GEAR Z28L		1	1	1
⊙ 11	*303M894090	3M894090	PARTS CLUTCH 50 Z35R SP		4	4	4
⊙ 12	*302K931450	2K931450	PIN FEED DRIVE		6	6	6
⊙ 13	*302K931500	2K931500	GEAR Z28R		1	1	1
⊙ 14	*302K931550	2K931550	GEAR Z27L		1	1	1
⊙ 15	*302JZ31170	2JZ31170	GEAR Z27L MAIN		1	1	1
⊙ 16	*302K931510	2K931510	GEAR Z35R		1	1	1
⊙ 17	*302K931520	2K931520	GEAR Z40L-Z34L		2	2	2
⊙ 18	*302K931470	2K931470	GEAR Z61R-Z34R		1	1	1
19	*302K946690	2K946690	WIRE ASSIST CLUTCH		2	2	2
20	*302K931420	2K931420	PLATE FEED DRIVE		1	1	1
⊙ 21	*302K994331	2K994331	PARTS MOTOR-BL W30 SP		1	1	1
22	*302K931540	2K931540	PLATE EARTH FEED		1	1	1
⊙ 23	*302K994190	2K994190	PARTS PWB FEED 2 ASSY SP		1	1	1
24	*302K946441	2K946441	WIRE FEED MOTOR		1	1	1
25	*302K946AB0	2K946AB0	WIRE FEED CLUTCH		1	1	1
26	*7YZM610007++H01	YZ023340	ACCESS.SADDLE		3	3	3
⊙ A02	302LF94080	2LF94080	PARTS CONT DRIVE UNIT K SP		1	1	1
27	*302K931710	2K931710	HOLDER CONT DRIVE K		1	1	1
⊙ 28	*302K994140	2K994140	PARTS LSU RETAINER MOTOR ASSY SP		1	1	1
29	*302LC31511	2LC31511	SEAL MOTOR DC		1	1	1
30	*302K902610	2K902610	PLATE DC MOTOR 10		1	1	1
31	*302H702590	2H702590	BUSH SCREW		2	2	2
⊙ 32	*302K931760	2K931760	WORM WHEEL Z56L-Z20S		1	1	1
33	*302K931780	2K931780	SHAFT CONT DRIVE		1	1	1
34	*5MVX1111DN003	2A806250	RING STOPPER /A-49 FEED A4		1	1	1
⊙ 35	*302K931830	2K931830	GEAR Z34S JOINT		1	1	1
36	*302K931720	2K931720	PLATE CONT DRIVE		1	1	1
⊙ 37	*302K394070	2K394070	PARTS PWB RFID ASSY SP		1	1	1
38	*302H731650	2H731650	SPRING PADDLE CONT D		1	1	1
39	*302H731640	2H731640	COUPLING CONT D		1	1	1
40	*2BG22990	2BG22990	CUT WASHER 4		1	1	1
41	*302LF46350	2LF46350	WIRE CONTAINER MOTOR		1	1	1
42	302K946930	2K946930	WIRE FEED POWER		1	1	1
⊙ 43	302K903130	2K903130	GEAR Z35S		1	1	1
⊙ 44	302H006120	2H006120	GEAR Z20S JOINT FEED B		3	3	3
⊙ 45	302LC03130	2LC03130	GEAR Z20S		1	1	1
⊙ 46	302LC03140	2LC03140	GEAR Z30S COUPLING		1	1	1
⊙ 47	302K903140	2K903140	GEAR Z18S		1	1	1

Ref. No.	Part.No.	Alternative.	Description	Notes	Quantity		
					120	230	240
48	302LC03160	2LC03160	MOUNT DRIVE		1	1	1
49	302LC03200	2LC03200	SPRING COUPLING		1	1	1
50	302LC03170	2LC03170	PLATE DRIVE		1	1	1
51	2BC06520	2BC06520	BUSHING 6,REGISTRATION		1	1	1
52	7YZM610008++H01	YZ037940	ACCESS.SADDLE		2	2	2
53	302LH03150	2LH03150	SHAFT DRIVE C		1	1	1
54	302FB09830	2FB09830	CUT WASHER 4		1	1	1
55	302H702590	2H702590	BUSH SCREW		1	1	1
101	7BB700408H	BB105640	+BIND T.T S SCREW 4X8 SR				
102	7BB000304H	BB105720	+BIND M SCREW 3X4				
103	7BB700308H	BB105600	+BIND T.T S SCREW 3X8 SR				
104	5MBP2012WXSP	E0020120	SPRING PIN / M2 X 12 S-BLK				
105	7BB200410H	BB105700	+BIND T.T P SCREW 4X10				
106	7BB200308H	BB105660	+BIND T.T P SCREW 3X8				

- Parts with "⊙" indicate regular maintenance parts.
- Parts with Ref.No. indicate maintenance parts and the ones without it indicate out of the above.

- Parts with "*" are component parts or sub-assemblies of the assembly appearing immediately above them.
- Parts with "••" are component parts or sub-assembly with "•" appearing immediately above them.

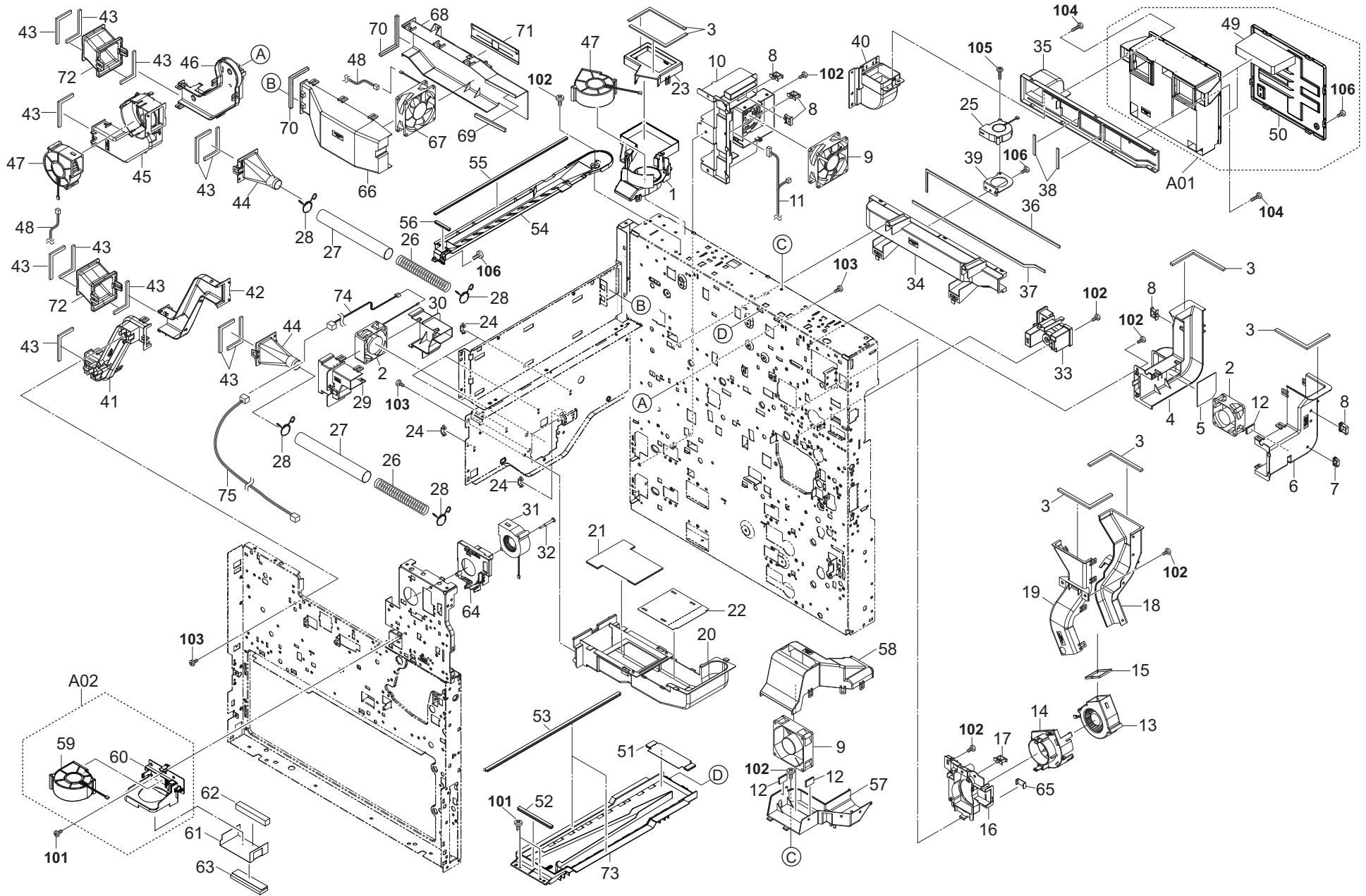


FIG. 26 Cooling Section

2LG/2LF-3

Ref. No.	Part.No.	Alternative.	Description	Notes	Quantity		
					120	230	240
1	302LF33420	2LF33420	DUCT ISU REAR LEFT A		1	1	1
2	302GR44080	2GR44080	FAN LSU 60-25		2	2	2
3	302K933580	2K933580	SEAL DUCT EXIT		6	6	6
4	302K933150	2K933150	DUCT EXIT RIGHT		1	1	1
5	302LC33510	2LC33510	FILM FUSER DUCT		1	1	1
6	302K933160	2K933160	DUCT EXIT LEFT		1	1	1
7	7YZM610001++H01	YZ010230	ACCESS SADDLE		1	1	1
8	7YZM610003++H01	YZ010250	ACCESS SADDLE		5	5	5
9	302HN44010	2HN44010	FAN MOTOR		2	2	2
10	302K933280	2K933280	HOLDER FAN LOW VOLT		1	1	1
11	302K946640	2K946640	WIRE LVU FAN		1	1	1
12	302LC31511	2LC31511	SEAL MOTOR DC		3	3	3
13	302K994350	2K994350	PARTS FAN COOLING DLP 70 SP		1	1	1
14	302LC33471	2LC33471	DUCT FUSER LOW		1	1	1
15	302HG02450	2HG02450	SEAL FRAME MIDDLE A		1	1	1
16	302K933190	2K933190	DUCT FUSER REAR		1	1	1
17	7YZM610002++H01	YZ010240	ACCESS SADDLE		1	1	1
18	302K933560	2K933560	DUCT FUSER RIGHT		1	1	1
19	302K933571	2K933571	DUCT FUSER LEFT		1	1	1
20	302LF33050	2LF33050	DUCT LSU LOW		1	1	1
21	302LF33060	2LF33060	DUCT LSU UP		1	1	1
22	302LF33090	2LF33090	SEAL DUCT LSU		1	1	1
23	302LF33430	2LF33430	DUCT ISU REAR LEFT B		1	1	1
24	302K931080	2K931080	WIRE STOPPER		6	6	6
25	302FZ94660	2FZ94660	PARTS,FAN IMAGE SP		1	1	1
26	302LF02441	2LF02441	SPRING DUCT		2	2	2
27	302LF02450	2LF02450	TUBE DUCT		2	2	2
28	302LF02460	2LF02460	STOPPER TUBE		4	4	4
29	302K933010	2K933010	DUCT FAN BELT RIGHT		1	1	1
30	302K933040	2K933040	DUCT FAN BELT LEFT		1	1	1
31	302LC94380	2LC94380	PARTS FAN COOLING LSU 60 SP		1	1	1
32	302H733430	2H733430	SCREW FAN		1	1	1
33	302LF94410	2LF94410	PARTS LID TONER FAN ASSY(ZG) SP		1	1	1
34	302LF33020	2LF33020	DUCT TONER LOW		1	1	1
35	302LF33030	2LF33030	DUCT TONER UP		1	1	1
36	302LF33210	2LF33210	SEAL TONER DUCT B		1	1	1
37	302LF33220	2LF33220	SEAL TONER DUCT C		1	1	1
38	302LF33290	2LF33290	SEAL DISPOSAL C		2	2	2
39	302LF33360	2LF33360	MOUNT TONER FAN		1	1	1
40	302K933140	2K933140	DUCT TONER SIDE		1	1	1
41	302LF33130	2LF33130	DUCT LSU FRONT LEFT A		1	1	1
42	302LF33140	2LF33140	DUCT LSU FRONT LEFT B		1	1	1
43	302LF33460	2LF33460	SPONGE DUCT LSU LEFT		12	12	12
44	302LF33150	2LF33150	DUCT LSU SIDE		2	2	2
45	302LF33110	2LF33110	DUCT LSU REAR LEFT A		1	1	1
46	302LF33120	2LF33120	DUCT LSU REAR LEFT B		1	1	1
47	302FZ94380	2FZ94380	PARTS,FAN COOLING DLP 70 SP		2	2	2
48	302LF46151	2LF46151	WIRE COOLING FAN		2	2	2
A01	302LF94400	2LF94400	PARTS DISPOSAL UNIT(ZG) SP		1	1	1

Ref. No.	Part.No.	Alternative.	Description	Notes	Quantity		
					120	230	240
49	*302LC33240	2LC33240	FILTER OPTION A		2	2	2
50	*302LF33250	2LF33250	LID DISPOSAL		1	1	1
51	302LF33570	2LF33570	FILM ISU DUCT		1	1	1
52	302LF33560	2LF33560	SPONGE ISU LOWER D		1	1	1
53	302LF33550	2LF33550	SPONGE ISU LOWER C		2	2	2
54	302LF33410	2LF33410	DUCT ISU LOWER LEFT		1	1	1
55	302LF33440	2LF33440	SPONGE ISU LOWER A		1	1	1
56	302LF33450	2LF33450	SPONGE ISU LOWER B		1	1	1
57	302LF33510	2LF33510	DUCT ISU RIGHT LOWER		1	1	1
58	302LF33520	2LF33520	DUCT ISU RIGHT UPPER		1	1	1
A02	302K994090	2K994090	PARTS FAN FUSER FRONT UNIT SP		1	1	1
59	*302K994350	2K994350	PARTS FAN COOLING DLP 70 SP		1	1	1
60	*302K933241	2K933241	DUCT FUSER FRONT		1	1	1
61	302LF33630	2LF33630	FILM FRONT FAN		1	1	1
62	302LF33640	2LF33640	SPONGE FRONT FAN A		1	1	1
63	302LF33650	2LF33650	SPONGE FRONT FAN B		1	1	1
64	302K933250	2K933250	DUCT EXIT FRONT		1	1	1
65	303LL02330	3LL02330	HOLDER WIRE D		1	1	1
66	302LF33310	2LF33310	DUCT CONTAINER REAR UPPER		1	1	1
67	302FB25330	2FB25330	FAN 80 FRONT COOLING		1	1	1
68	302LF33300	2LF33300	DUCT CONTAINER REAR LOWER		1	1	1
69	302FZ33170	2FZ33170	SEAL BRACKET FAN A		1	1	1
70	302LF33320	2LF33320	SEAL CONTAINER REAR LEFT		2	2	2
71	302LF33330	2LF33330	FILM DUCT CONTAINER		1	1	1
72	302LF33160	2LF33160	DUCT LSU JOINT		2	2	2
73	302LF33500	2LF33500	DUCT ISU LOWER RIGHT		1	1	1
74	302LF46210	2LF46210	WIRE WASTE TONER TANK		1	1	1
75	302LF46220	2LF46220	WIRE HUMIDITY SENSOR JOINT		1	1	1
101	7BB700308H	BB105600	+BIND T.T S SCREW 3X8 SR				
102	7BB700408H	BB105640	+BIND T.T S SCREW 4X8 SR				
103	7BB200410H	BB105700	+BIND T.T P SCREW 4X10				
104	7BB700435H	BB112520	+BIND T.T S SCREW 4X35 SR				
105	7BB100320H	BB112650	+BIND T.T P SCREW 3X20				
106	7BB200308H	BB105660	+BIND T.T P SCREW 3X8				

- Parts with "⊙" indicate regular maintenance parts.
- Parts with Ref.No. indicate maintenance parts and the ones without it indicate out of the above.

- Parts with "*" are component parts or sub-assemblies of the assembly appearing immediately above them.
- Parts with "• •" are component parts or sub-assembly with "•" appearing immediately above them.

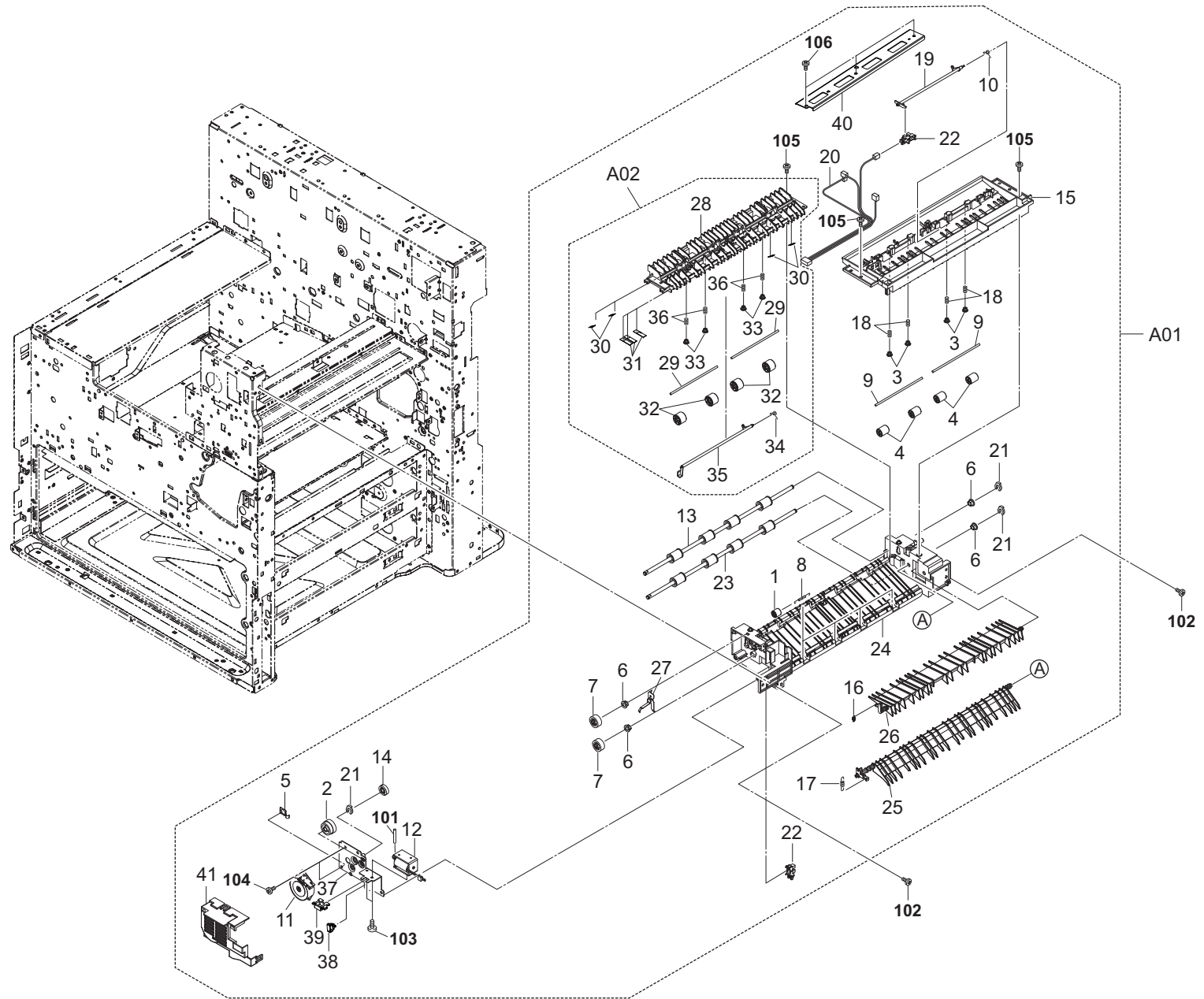


FIG. 27 Exit Section

2LG/2LF-3

	Ref. No.	Part.No.	Alternative.	Description	Notes	Quantity		
						120	230	240
⊙	A01	302K994660	2K994660	PARTS EXIT UNIT A SP		1	1	1
	1	*2FM02210	5MVM274DN002	PULLEY MID /B-11 FRAMEA4		4	4	4
⊙	2	*302K928110	2K928110	GEAR Z40R-Z28S		1	1	1
	3	*2FM04150	5MVM163DN005	CAP SPRING /B-11 ENCLOSUREA4		4	4	4
	4	*302F929260	2F929260	PULLEY DU LOW		4	4	4
	5	*302K928200	2K928200	PLATE EARTH FD		1	1	1
	6	*302K324450	2K324450	BUSH 6		4	4	4
⊙	7	*302H728080	2H728080	GEAR Z23S EXIT		2	2	2
	8	*302HN28120	2HN28120	SPRING PULLEY A		4	4	4
	9	*302K324460	2K324460	SHAFT FEED		2	2	2
	10	*302K928190	2K928190	SPRING-TORSION SWITCHBACK		1	1	1
⊙	11	*302K994300	2K994300	PARTS MOTOR PM FEED SP		1	1	1
⊙	12	*302K994370	2K994370	PARTS SOLENOID FEED SHIFT SP		1	1	1
⊙	13	*302K994910	2K994910	PARTS ROLLER EXIT SP		1	1	1
⊙	14	*302H006120	2H006120	GEAR Z20S JOINT FEED B		1	1	1
	15	*302K928020	2K928020	FRAME EXIT UPPER		1	1	1
	16	*302K928070	2K928070	SPRING-EXTENSION FEED SHIFT		1	1	1
	17	*302LC28110	2LC28110	SPRING-EXTENSION		1	1	1
	18	*302F928170	2F928170	SPRING PULLEY		4	4	4
	19	*302K928090	2K928090	ACTUATOR SWITCHBACK		1	1	1
	20	*302K946360	2K946360	WIRE EXIT		1	1	1
	21	*5MVX111DN003	2A806250	RING STOPPER/A-49 FEED A4		3	3	3
⊙	22	*7NXGP1A173LCH01	NX115300	SENSOR OPT.		2	2	2
⊙	23	*302K994A40	2K994A40	PARTS ROLLER EXIT B SP		1	1	1
	24	*302K928011	2K928011	FRAME EXIT LOWER		1	1	1
	25	*302K928213	2K928213	GUIDE CHANGE LOWER		1	1	1
	26	*302K928030	2K928030	GUIDE SHIFT UPPER		1	1	1
	27	*302K928170	2K928170	PLATE EARTH ROLLER		1	1	1
⊙	A02	*302K994B80	2K994B80	PARTS GUIDE EXIT MIDDLE SP		1	1	1
	28	**302K928051	2K928051	GUIDE EXIT MIDDLE		1	1	1
	29	**302K324460	2K324460	SHAFT FEED		2	2	2
	30	**302K928290	2K928290	SHEET EXIT MIDDLE A		4	4	4
	31	**302K928300	2K928300	SHEET EXIT MIDDLE B		3	3	3
	32	**302JF22010	2JF22010	PULLEY MIDDLE		4	4	4
	33	**2FM04150	5MVM163DN005	CAP SPRING /B-11 ENCLOSUREA4		4	4	4
	34	**302K928190	2K928190	SPRING-TORSION SWITCHBACK		1	1	1
	35	**302K928121	2K928121	ACTUATOR EXIT SENSOR		1	1	1
	36	**302F928170	2F928170	SPRING PULLEY		4	4	4
	37	*302K928131	2K928131	PLATE DRIVE FD		1	1	1
	38	*7YZM390002+++H01	YZ012140	ACCESS.CLAMP		1	1	1
	39	*7YZM210006+++H01	YZ038000	ACCESS.EDGING		1	1	1
	40	*302K928230	2K928230	STAY EXIT HIGH		1	1	1
	41	*302K928141	2K928141	COVER FRONT		1	1	1

	Ref. No.	Part.No.	Alternative.	Description	Notes	Quantity		
						120	230	240
	101	E0130240	E0130240	SPRING PIN 3X24(SUS)				
	102	7BB700408H	BB105640	+BIND T.T S SCREW 4X8 SR				
	103	7BB000303H	BB107000	+BIND M SCREW 3X3				
	104	7BB700308H	BB105600	+BIND T.T S SCREW 3X8 SR				
	105	7BB200410H	BB105700	+BIND T.T P SCREW 4X10				
	106	7BB200308H	BB105660	+BIND T.T P SCREW 3X8				

- Parts with "⊙" indicate regular maintenance parts.
- Parts with Ref.No. indicate maintenance parts and the ones without it indicate out of the above.

- Parts with "*" are component parts or sub-assemblies of the assembly appearing immediately above them.
- Parts with "• •" are component parts or sub-assembly with "•" appearing immediately above them.

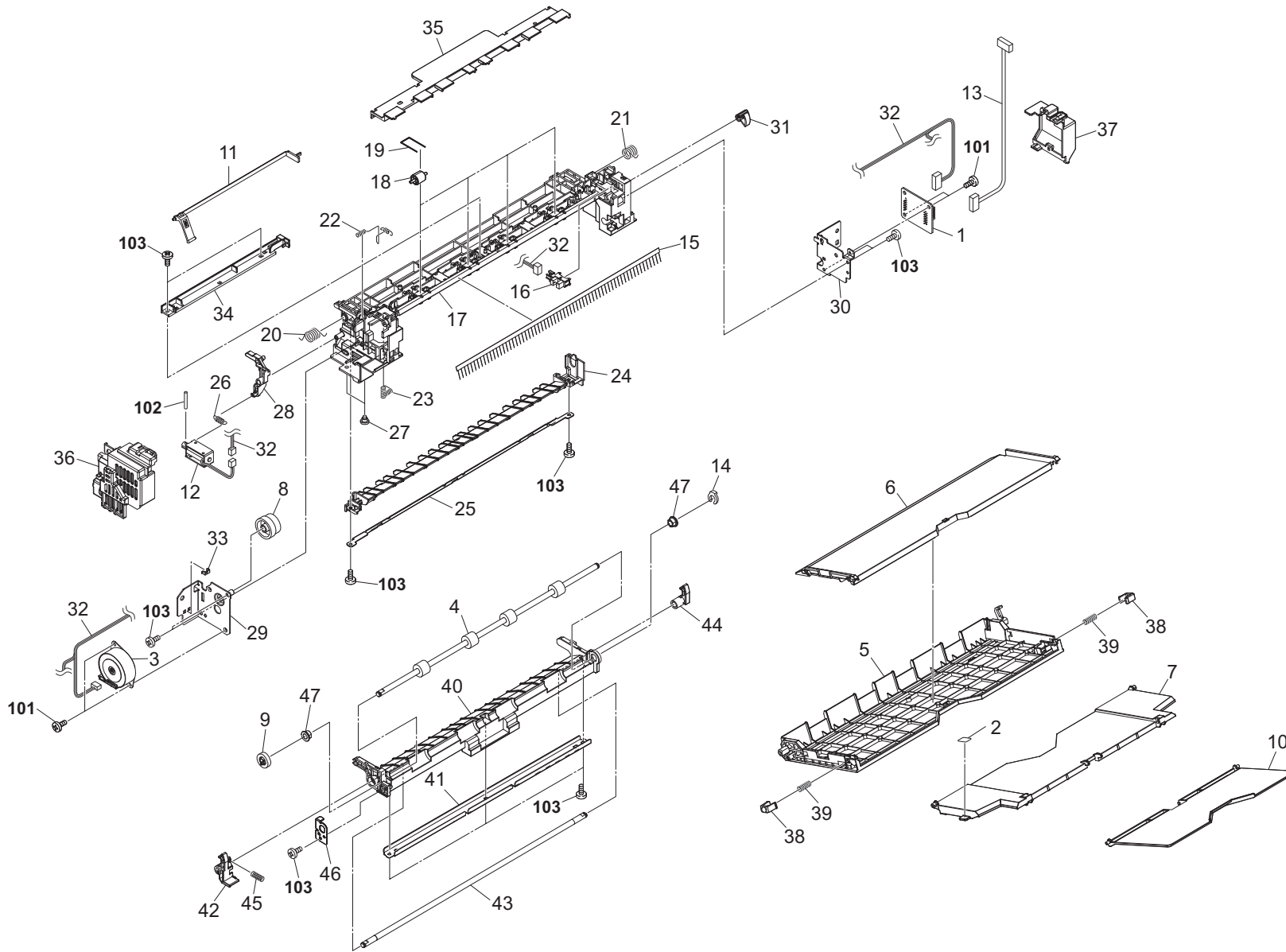


FIG. 28 Job Separator Section

2LG/2LF-3

Ref. No.	Part.No.	Alternative.	Description	Notes	Quantity		
					120	230	240
⊙ 1	302K994600	2K994600	PARTS PWB JOB SEPA ASSY SP		1	1	1
2	302K934190	2K934190	LABEL JOB SEPARATOR		1	1	1
⊙ 3	302K994300	2K994300	PARTS MOTOR PM FEED SP		1	1	1
⊙ 4	303NM94010	3NM94010	PARTS ROLLER EXIT RIGHT SP		1	1	1
⊙ 5	303NM16101	3NM16101	TRAY EXIT A		1	1	1
⊙ 6	303NM16111	3NM16111	TRAY EXIT B		1	1	1
⊙ 7	303NM16120	3NM16120	TRAY EXIT C		1	1	1
⊙ 8	303NM16130	3NM16130	GEAR Z46R Z21S IDLE		1	1	1
⊙ 9	303NM16140	3NM16140	GEAR Z15S		1	1	1
⊙ 10	303NM16230	3NM16230	TRAY EXIT D		1	1	1
11	303NM16280	3NM16280	ACTUATOR EXIT		1	1	1
⊙ 12	303NM94020	3NM94020	PARTS SOLENOID JS SP		1	1	1
⊙ 13	303NM46010	3NM46010	WIRE INTERFACE		1	1	1
14	5MVX111DN003	2A806250	RING STOPPER /A-49 FEED A4		1	1	1
15	63212210	63212210	STATIC ELIMINATOR,EJECT		1	1	1
⊙ 16	7NXGP1A173LCH01	NX115300	SENSOR OPT.		1	1	1
17	303NM16010	3NM16010	FRAME EXIT		1	1	1
18	302FZ07020	2FZ07020	PULLEY MPT BYPASS		4	4	4
19	303MA16290	3MA16290	SPRING PULLEY JS		4	4	4
20	303NM16170	3NM16170	SPRING-TORSION GUIDE F		1	1	1
21	303NM16180	3NM16180	SPRING-TORSION GUIDE R		1	1	1
22	303NM16190	3NM16190	SPRING EARTH A		1	1	1
23	303NM16240	3NM16240	SPRING EARTH B		1	1	1
24	303NM16030	3NM16030	GUIDE EXIT B		1	1	1
25	303NM16250	3NM16250	PLATE GUIDE LOWER		1	1	1
26	303NM16210	3NM16210	SPRING-EXTENSION		1	1	1
27	302F325010	2F325010	STUD SCREW M3		2	2	2
28	303NM16200	3NM16200	ARM FEED SHIFT		1	1	1
29	303NM16041	3NM16041	PLATE EXIT F		1	1	1
30	303NM16050	3NM16050	PLATE EXIT R		1	1	1
31	303NM16300	3NM16300	ARM SENSOR		1	1	1
32	303NM46020	3NM46020	WIRE JOB SEPARATOR		1	1	1
33	302K931080	2K931080	WIRE STOPPER		1	1	1
34	303NM16290	3NM16290	HOLDER SENSOR		1	1	1
35	303NM16271	3NM16271	COVER UPPER		1	1	1
36	303NM16220	3NM16220	COVER EXIT F		1	1	1
37	303NM16150	3NM16150	COVER PWB EXIT		1	1	1
38	2FB07330	2FB07330	STOPPER BYPASS TABLE		2	2	2
39	303JY24640	3JY24640	SPRING RELEASE COVER		2	2	2
40	303NM16020	3NM16020	GUIDE EXIT A		1	1	1
41	303NM16260	3NM16260	STAY GUIDE LOWER		1	1	1
42	303NM16080	3NM16080	LEVER EXIT RIGHT		1	1	1
43	303NM16070	3NM16070	SHAFT LEVER EXIT		1	1	1
44	303MA16570	3MA16570	HOOK LEVER JAM JS F		1	1	1
45	302FZ28270	2FZ28270	SPRING EXIT PUSH		1	1	1
46	303NM16060	3NM16060	PLATE EXIT LOWER		1	1	1
47	302K324450	2K324450	BUSH 6		2	2	2

Ref. No.	Part.No.	Alternative.	Description	Notes	Quantity		
					120	230	240
101	7BB700308H	BB105600	+BIND T.T S SCREW 3X8 SR				
102	E0025140	E0025140	SPRING PIN 2.5X14				
103	7BB200308H	BB105660	+BIND T.T P SCREW 3X8				

- Parts with "⊙" indicate regular maintenance parts.
- Parts with Ref.No. indicate maintenance parts and the ones without it indicate out of the above.

- Parts with "*" are component parts or sub-assemblies of the assembly appearing immediately above them.
- Parts with "• •" are component parts or sub-assembly with "•" appearing immediately above them.

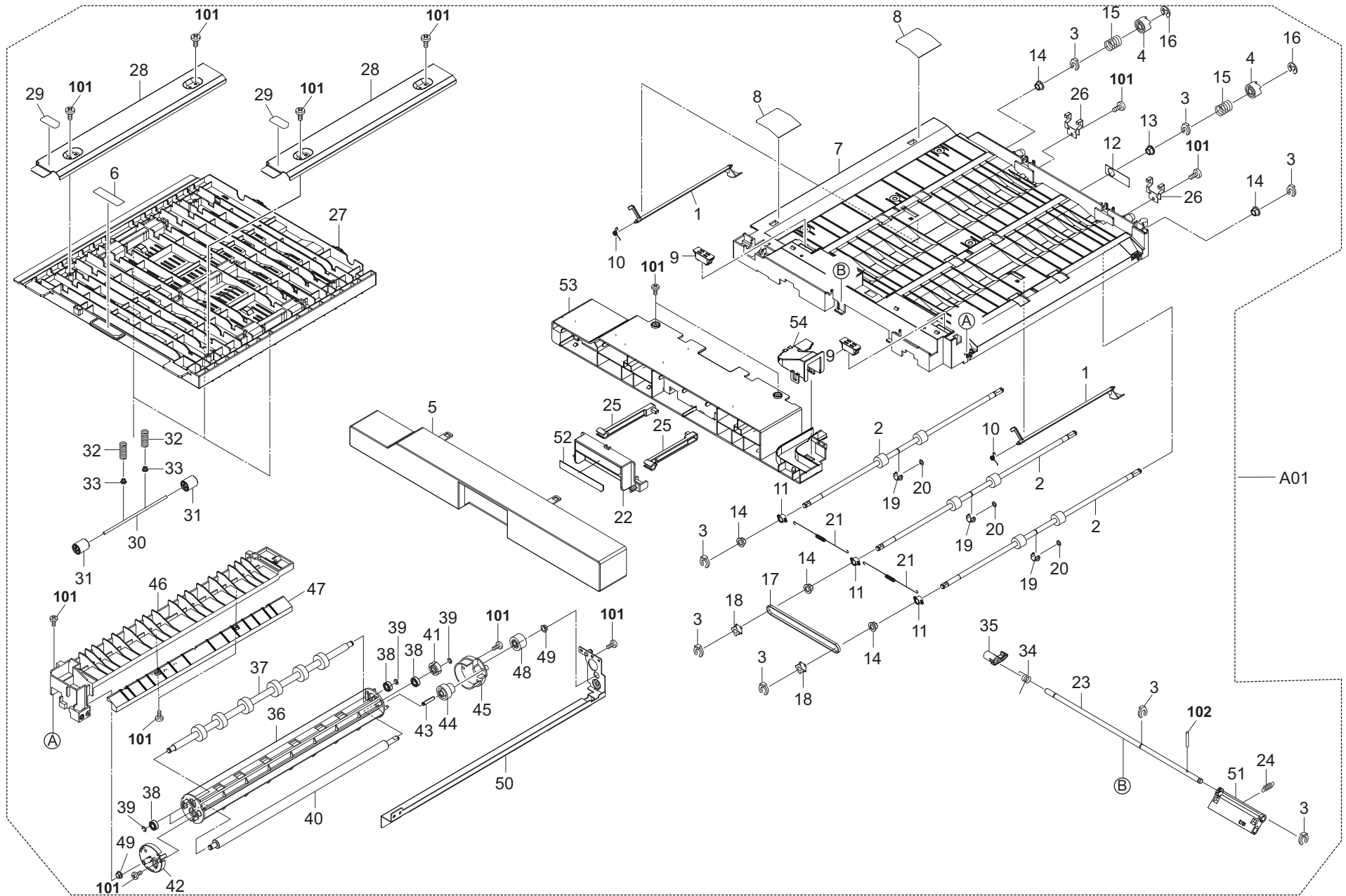


FIG. 29 Bridge Section 1

2LG/2LF-3

Ref. No.	Part.No.	Alternative.	Description	Notes	Quantity		
					120	230	240
⊙ A01	302K994C31	2K994C31	PARTS GUIDE RELAY UPPER UNIT SP		1	1	1
1	*302LF28060	2LF28060	ACTUATOR RELAY		2	2	2
⊙ 2	*302LF94430	2LF94430	PARTS ROLLER RELAY MIDDLE B SP		3	3	3
3	*5MVX111DN003	2A806250	RING STOPPER /A-49 FEED A4		8	8	8
4	*302LF28120	2LF28120	JOINT DRIVE		2	2	2
⊙ 5	*302LF28520	2LF28520	COVER RELAY		1	1	1
6	*302K934180	2K934180	LABEL RELAY A4		1	1	1
7	*302LF28023	2LF28023	GUIDE RELAY LOWER		1	1	1
8	*302LF28820	2LF28820	SHEET RELAY LOWER		2	2	2
9	*2FB17200	2FB17200	MAGNET UPPER REG GUIDE		2	2	2
10	*302K928190	2K928190	SPRING-TORSION SWITCHBACK		2	2	2
11	*302FZ07310	2FZ07310	BUSH CONTACT MPT B		3	3	3
12	*302LF28161	2LF28161	PLATE EARTH ROLLER		1	1	1
13	*302K324450	2K324450	BUSH 6		1	1	1
14	*302H702590	2H702590	BUSH SCREW		5	5	5
15	*302LF28440	2LF28440	SPRING-COMPRESSION JOINT		2	2	2
16	*302FB09830	2FB09830	CUT WASHER 4		2	2	2
17	*302LF28130	2LF28130	BELT S2M-Z133		1	1	1
18	*302LF28342	2LF28342	PULLEY P18-S2M		2	2	2
19	*302FZ07540	2FZ07540	HOLDER SHAFT OUT		3	3	3
20	*2BG22990	2BG22990	CUT WASHER 4		3	3	3
21	*302LF28500	2LF28500	SPRING-EXTENSION EARTH		2	2	2
⊙ 22	*302LF28510	2LF28510	HANDLE FRONT		1	1	1
23	*302LF28180	2LF28180	SHAFT HANDLE		1	1	1
24	*302F924380	2F924380	SPRING RELEASE FUSER R		1	1	1
25	*302LF28190	2LF28190	ARM LEVER RELAY		2	2	2
26	*302LF28780	2LF28780	PLATE HINGE STOPPER		2	2	2
27	*302LF28011	2LF28011	GUIDE RELAY UPPER		1	1	1
28	*302LF28050	2LF28050	PLATE REINFORCEMENT		2	2	2
29	*302K934150	2K934150	LABEL HIGH TEMP		2	2	2
30	*302K324460	2K324460	SHAFT FEED		3	3	3
31	*302F929260	2F929260	PULLEY DU LOW		6	6	6
32	*302F928170	2F928170	SPRING PULLEY		6	6	6
33	*2FM04150	5MVM163DN005	CAP SPRING /B-11 ENCLOSURE A4		6	6	6
34	*302LF28580	2LF28580	SPRING-TORSION HOOK		1	1	1
35	*303MA16580	3MA16580	HOOK LEVER JAM JS R		1	1	1
36	*302LF28380	2LF28380	GUIDE PRESS ROTARY		1	1	1
⊙ 37	*302LF94280	2LF94280	PARTS ROLLER PRESS SP		1	1	1
38	*7BE006124431H01	BE119720	BEARING MR126ZZ		4	4	4
39	*302K924820	2K924820	CUT-WASHER 4		4	4	4
⊙ 40	*302LF94270	2LF94270	PARTS ROLLER PRESS DRIVE SP		1	1	1
⊙ 41	*302LF28650	2LF28650	GEAR Z30L DECURLER		1	1	1
42	*302LF28370	2LF28370	CAP PRESS UNIT		1	1	1
43	*303NJ31120	3NJ31120	PIN FEED DRIVE		1	1	1
⊙ 44	*302LF28330	2LF28330	GEAR Z14S-Z35R		1	1	1
⊙ 45	*302LF28360	2LF28360	GEAR PRESS DRIVE		1	1	1
46	*302LF28071	2LF28071	GUIDE RIGHT UPPER		1	1	1
47	*302LF28082	2LF28082	GUIDE RIGHT LOWER		1	1	1
⊙ 48	*302LF28280	2LF28280	GEAR Z21S		1	1	1

Ref. No.	Part.No.	Alternative.	Description	Notes	Quantity		
					120	230	240
49	*302H702590	2H702590	BUSH SCREW		2	2	2
50	*302LF28170	2LF28170	PLATE SUPPORT SLIDER		1	1	1
51	*302LF28210	2LF28210	JOINT HANDLE		1	1	1
52	*302K934170	2K934170	LABEL RELAY A3		1	1	1
53	*302LF28200	2LF28200	JOINT RELAY		1	1	1
54	*302LF28390	2LF28390	DUCT RELAY		1	1	1
101	7BB200308H	BB105660	+BIND T.T.P SCREW 3X8				
102	5MBP2010WXSP	E0020100	SPRING PIN / M2 X 10 S-BLK				

- Parts with "⊙" indicate regular maintenance parts.
- Parts with Ref.No. indicate maintenance parts and the ones without it indicate out of the above.

- Parts with "*" are component parts or sub-assemblies of the assembly appearing immediately above them.
- Parts with "• •" are component parts or sub-assembly with "•" appearing immediately above them.

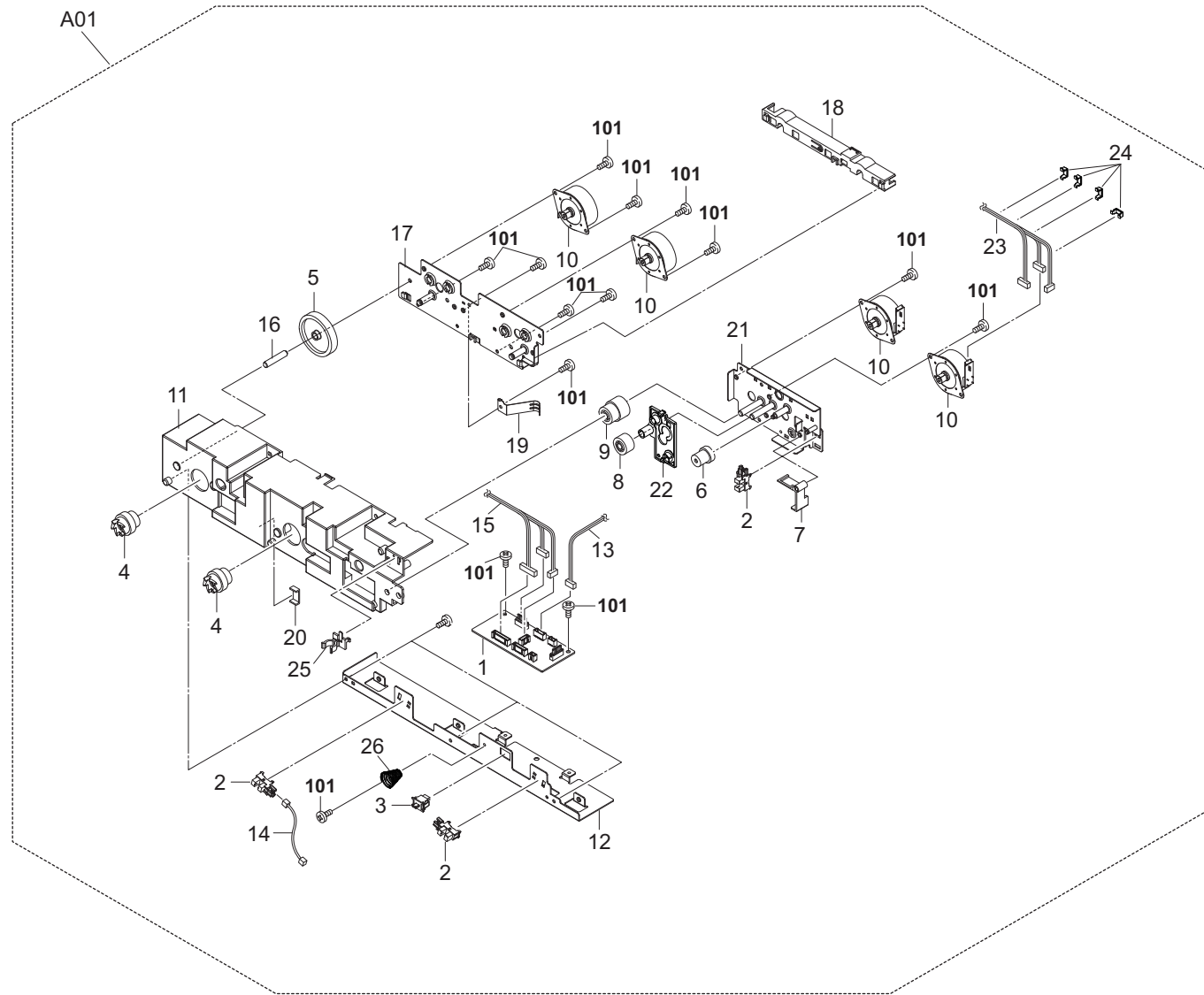


FIG. 30 Bridge Section 2

2LG/2LF-3

Ref. No.	Part.No.	Alternative.	Description	Notes	Quantity		
					120	230	240
⊙ A01	302K994C00	2K994C00	PARTS RELAY DRIVE UNIT SP		1	1	1
⊙ 1	*302K994830	2K994830	PARTS PWB BRIDGE ASSY SP		1	1	1
⊙ 2	*7NXGP1A173LCH01	NX115300	SENSOR OPT.		3	3	3
⊙ 3	*7SP01000006+H01	SP121020	SW.PUSH		1	1	1
⊙ 4	*302LF28140	2LF28140	GEAR Z31R-Z20R		2	2	2
⊙ 5	*302LF28150	2LF28150	GEAR Z42L		1	1	1
⊙ 6	*302LF28300	2LF28300	GEAR Z14S-Z30R		1	1	1
⊙ 7	*302LF28470	2LF28470	ACTUATOR PRESS		1	1	1
⊙ 8	*302LF28280	2LF28280	GEAR Z21S		1	1	1
⊙ 9	*302LF28290	2LF28290	GEAR Z21S-Z40R		1	1	1
⊙ 10	*302K994300	2K994300	PARTS MOTOR PM FEED SP		4	4	4
11	*302LF28093	2LF28093	FRAME DRIVE		1	1	1
12	*302LF28101	2LF28101	PLATE DRIVE A		1	1	1
13	*302LF46B40	2LF46B40	WIRE OPEN SWITCH		1	1	1
14	*302LF46B50	2LF46B50	WIRE FEED SENSOR		1	1	1
15	*302LF46B10	2LF46B10	WIRE INTERFACE		1	1	1
16	*303NJ31120	3NJ31120	PIN FEED DRIVE		1	1	1
17	*302LF28113	2LF28113	PLATE MOTOR DRIVE		1	1	1
18	*302LF28560	2LF28560	GUIDE HARNESS		1	1	1
19	*302FB09320	2FB09320	GROUND PLATE DECK UNIT		1	1	1
20	*303LL02330	3LL02330	HOLDER WIRE D		1	1	1
21	*302LF28461	2LF28461	PLATE MOTOR PRESS DRIVE		1	1	1
22	*302LF28600	2LF28600	GUIDE DECURLER PIN		1	1	1
23	*302LF46B30	2LF46B30	WIRE GUIDE MOTOR		1	1	1
24	*302K931080	2K931080	WIRE STOPPER		4	4	4
25	*302LF28590	2LF28590	STOPPER RELAY		1	1	1
26	*302LF28610	2LF28610	SPRING COMPRESSION RELAY		1	1	1

Ref. No.	Part.No.	Alternative.	Description	Notes	Quantity		
					120	230	240
101	7BB700308H	BB105600	+BIND T.T S SCREW 3X8 SR				

- Parts with "⊙" indicate regular maintenance parts.
- Parts with Ref.No. indicate maintenance parts and the ones without it indicate out of the above.

- Parts with "*" are component parts or sub-assemblies of the assembly appearing immediately above them.
- Parts with "••" are component parts or sub-assembly with "•" appearing immediately above them.

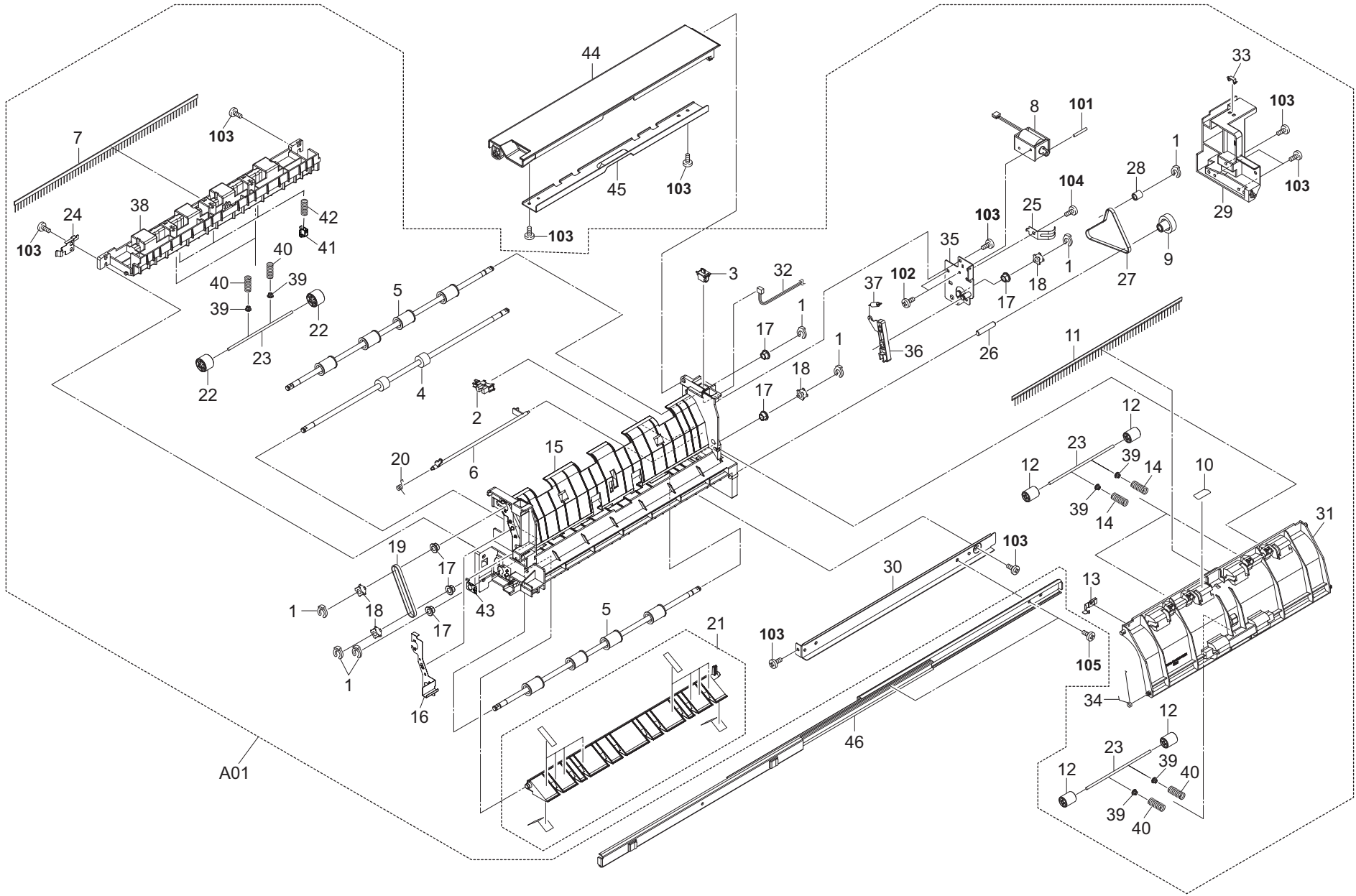


FIG. 31 Bridge Section 3

2LG/2LF-3

Ref. No.	Part.No.	Alternative.	Description	Notes	Quantity		
					120	230	240
⊙ A01	302LF94385	2LF94385	PARTS RELAY EXIT UNIT SP		1	1	1
1	*5MVX111DN003	2A806250	RING STOPPER /A-49 FEED A4		7	7	7
⊙ 2	*7NXGP1A173LCH01	NX115300	SENSOR OPT.		1	1	1
⊙ 3	*7SP01000006+H01	SP121020	SW.PUSH		1	1	1
⊙ 4	*302LF94030	2LF94030	PARTS ROLLER RELAY EXIT MIDDLE SP		1	1	1
⊙ 5	*302LF94440	2LF94440	PARTS ROLLER RELAY EXIT LOWER B SP		2	2	2
6	*302LF28350	2LF28350	ACTUATOR RELAY EXIT SW		1	1	1
7	*63212210	63212210	STATIC ELIMINATOR,EJECT		1	1	1
⊙ 8	*302K994370	2K994370	PARTS SOLENOID FEED SHIFT SP		1	1	1
⊙ 9	*302LF28420	2LF28420	GEAR Z20R-P18		1	1	1
10	*302K934160	2K934160	LABEL EXIT A2		1	1	1
11	*302LF28640	2LF28640	STATIC-ELIMINATOR EJECT		1	1	1
12	*302F929260	2F929260	PULLEY DU LOW		6	6	6
13	*302LF28630	2LF28630	PLATE EARTH EXIT		1	1	1
14	*302LF28840	2LF28840	SPRING-COMPRESSION RELAY EXIT		4	4	4
15	*302LF28222	2LF28222	HOUSING RELAY EXIT		1	1	1
16	*302LF28541	2LF28541	PLATE EARTH ROLLER A		1	1	1
17	*7BE006103R31H01	BE134710	BEARING MF106ZZ		6	6	6
18	*302LF28342	2LF28342	PULLEY P18-S2M		4	4	4
⊙ 19	*3HL07190	3HL07190	BELT 150S2M,PAPER FEED		1	1	1
20	*302K928190	2K928190	SPRING-TORSION SWITCHBACK		1	1	1
⊙ 21	*303NB94190	3NB94190	PARTS GUIDE RELAY EXIT SHEFT SP		1	1	1
22	*302JF22010	2JF22010	PULLEY MIDDLE		4	4	4
23	*302K324460	2K324460	SHAFT FEED		5	5	5
24	*302LF28531	2LF28531	PLATE EARTH EXIT		1	1	1
25	*2C912690	2C912690	GROUND PLATE SCANNER B		1	1	1
26	*303NJ31120	3NJ31120	PIN FEED DRIVE		1	1	1
⊙ 27	*302LF28450	2LF28450	BELT S2M-Z112		1	1	1
28	*302FZ07150	2FZ07150	PULLEY TENSION BELT		1	1	1
29	*302LF28250	2LF28250	MOUNT RELAY EXIT		1	1	1
30	*302LF28800	2LF28800	PLATE REINFORCEMENT		1	1	1
31	*302LF28240	2LF28240	GUIDE RELAY EXIT RIGHT		1	1	1
32	*302LF46B60	2LF46B60	WIRE EXIT SENSOR		1	1	1
33	*302K931080	2K931080	WIRE STOPPER		1	1	1
34	*302LF28810	2LF28810	SPRING-TORSION RELAY EXIT		1	1	1
35	*302LF28401	2LF28401	PLATE RELAY SOLENOID		1	1	1
36	*302LF28410	2LF28410	LEVER RELAY SOLENOID		1	1	1
37	*3HL10090	3HL10090	SPRING,LF SHIFT GUIDE		1	1	1
38	*302LF28230	2LF28230	GUIDE RELAY EXIT UPPER		1	1	1
39	*2FM04150	5MVM163DN005	CAP SPRING /B-11 ENCLOSURE A4		10	10	10
40	*302F928170	2F928170	SPRING PULLEY		6	6	6
41	*302FZ28260	2FZ28260	EXIT PUSH		3	3	3
42	*302FZ28270	2FZ28270	SPRING EXIT PUSH		3	3	3
43	*302LF28661	2LF28661	PLATE EARTH RELAY B		1	1	1
⊙ 44	302LF28270	2LF28270	COVER RELAY EXIT		1	1	1
45	302LF28621	2LF28621	PLATE REINFORCEMENT EXIT		1	1	1
46	302LF28720	2LF28720	SLIDER RELEASE		1	1	1

Ref. No.	Part.No.	Alternative.	Description	Notes	Quantity		
					120	230	240
101	E0130240	E0130240	SPRING PIN 3X24(SUS)				
102	7BB000303H	BB107000	+BIND M SCREW 3X3				
103	7BB200308H	BB105660	+BIND T.T P SCREW 3X8				
104	7BB100304H	BB105580	+BIND T.T S SCREW 3X4				
105	7BB700308H	BB105600	+BIND T.T S SCREW 3X8 SR				

- Parts with "⊙" indicate regular maintenance parts.
- Parts with Ref.No. indicate maintenance parts and the ones without it indicate out of the above.

- Parts with "*" are component parts or sub-assemblies of the assembly appearing immediately above them.
- Parts with "••" are component parts or sub-assembly with "•" appearing immediately above them.

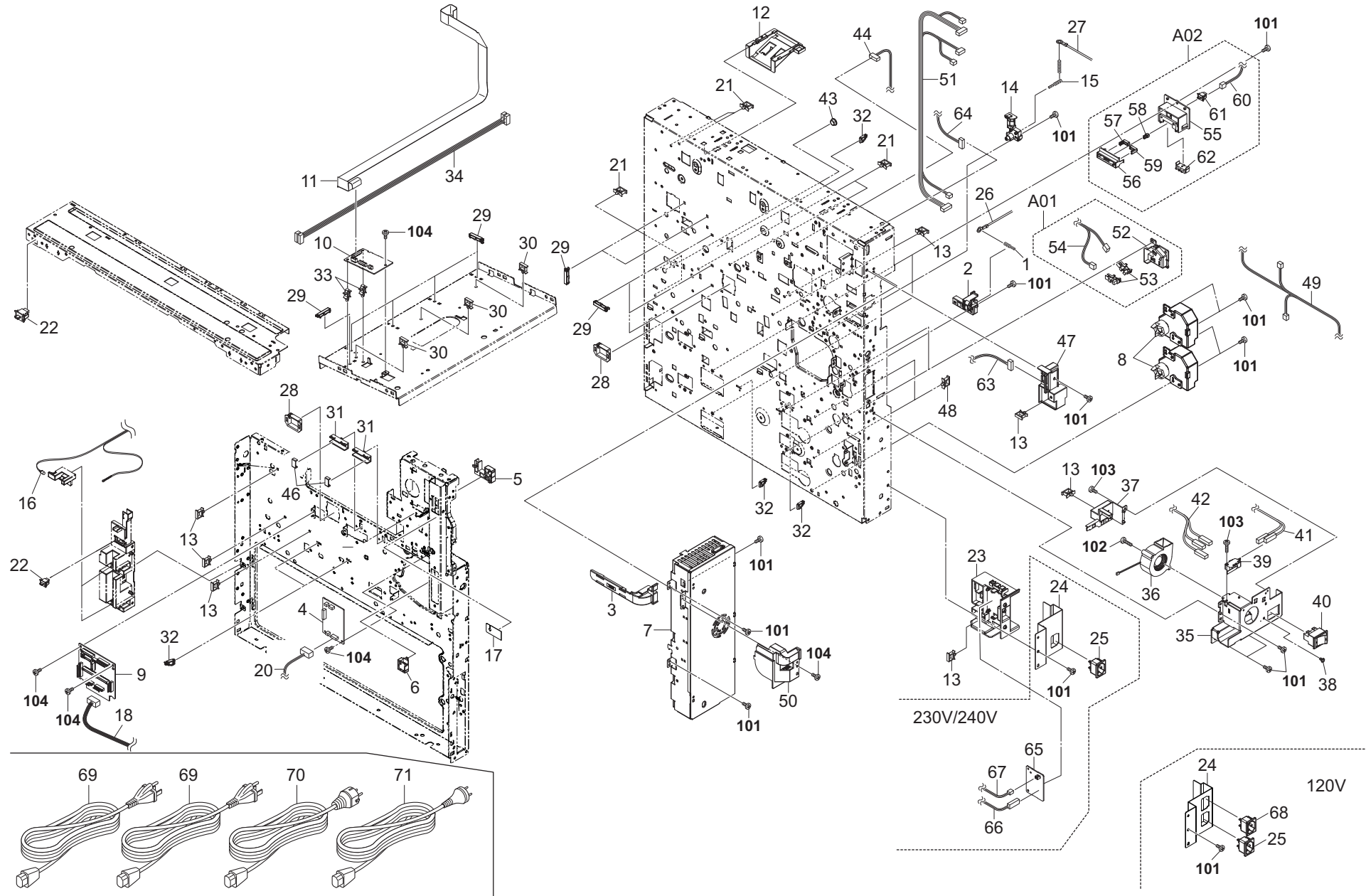


FIG. 32 Electrical Components 1

2LG/2LF-3

Ref. No.	Part.No.	Alternative.	Description	Notes	Quantity		
					120	230	240
1	302K939360	2K939360	SPRING HV		1	1	1
2	302LF39010	2LF39010	TERMINAL HV SEPARATION		1	1	1
3	302K939470	2K939470	COVER WIRE IH		1	1	1
⊙ 4	302LF94230	2LF94230	PARTS PWB EXIT ASSY SP		1	1	1
⊙ 5	302LF94150	2LF94150	PARTS MOUNT LED UPPER ASSY SP		1	1	1
⊙ 6	302LF94140	2LF94140	PARTS MOUNT LED UNIT SP		1	1	1
⊙ 7	302K994710	2K994710	PARTS IH BOX ASSY J SP		1		
⊙ 7	302K994700	2K994700	PARTS IH BOX ASSY E SP			1	1
⊙ 8	302K394190	2K394190	PARTS MOTOR LIFT ASSY SP		2	2	2
⊙ 9	302LF94210	2LF94210	PARTS PWB FRONT MONO ASSY SP		1	1	1
⊙ 10	302LF94220	2LF94220	PARTS PWB LSU JUNC MONO ASSY SP		1	1	1
11	302LF46C10	2LF46C10	WIRE FFC LSU		1	1	1
12	302K939550	2K939550	GUIDE WIRE ISU		1	1	1
13	7YZM610001++H01	YZ010230	ACCESS SADDLE		8	8	8
14	302LF39020	2LF39020	TERMINAL HV DRUM		1	1	1
15	302LF39080	2LF39080	SPRING HV DRUM		1	1	1
⊙ 16	302K994150	2K994150	PARTS TONER FULL DETECT ASSY SP		1	1	1
17	302LF02500	2LF02500	SHEET PWB FRONT		1	1	1
18	302LF46140	2LF46140	WIRE EXIT FAN		1	1	1
19	302K931080	2K931080	WIRE STOPPER		2	2	2
20	302LF46100	2LF46100	WIRE EXIT PWB JOINT		1	1	1
⊙ 21	7YZM610003++H01	YZ010250	ACCESS SADDLE		6	6	6
⊙ 22	7SP01000006+H01	SP121020	SW.PUSH		2	2	2
23	302K939380	2K939380	GUIDE WIRE INLET		1	1	1
24	302K939370	2K939370	PLATE INLET A		1		
24	302LC39020	2LC39020	PLATE INLET B		1	1	1
25	302K946860	2K946860	WIRE INLET ASSY 1		1	1	1
26	302LF46320	2LF46320	WIRE HVU TC		1	1	1
27	302LF46340	2LF46340	WIRE HVU MC		1	1	1
28	7YZM210004++H01	YZ037980	ACCESS.EDGING		2	2	2
29	302LF02380	2LF02380	HOLDER FFC		10	10	10
30	7YZM610017++H01	YZ049360	ACCESS.SADDLE		3	3	3
31	302LF39050	2LF39050	GUIDE WIRE FRONT PWB		2	2	2
32	302K939230	2K939230	HOLDER PWB		5	5	5
33	7YZM510007++H01	YZ042780	ACCESS.SPACER		2	2	2
34	302LF46940	2LF46940	WIRE FRONT POWER		1	1	1
35	302K939390	2K939390	PLATE MAIN SW A		1		
35	302LC39040	2LC39040	PLATE MAIN SW B			1	1
⊙ 36	302K994360	2K994360	PARTS FAN COOLING LSU 60 SP		1	1	1
37	302K939560	2K939560	DUCT FAN IH		1	1	1
38	7YZM510022++H01	YZ127850	ACCESS.SPACER		1	1	1
⊙ 39	2FB27160	2FB27160	INTER LOCK SWITCH		1	1	1
⊙ 40	7SC020402+++H01	SC124420	SW.SEEAW		1		
⊙ 40	7SC010202+++H01	SC122390	SW.SEEAW			1	1
41	302K946530	2K946530	WIRE INTERLOCK		1	1	1
42	302K946880	2K946880	WIRE MAIN SWITCH		1		
42	302LC46880	2LC46880	WIRE MAIN SWITCH			1	1
43	7YZM110001++H01	YZ009420	ACCESS.BUSHING		1	1	1
44	302LF46630	2LF46630	WIRE CONTAINER JOINT		1	1	1

Ref. No.	Part.No.	Alternative.	Description	Notes	Quantity		
					120	230	240
45	302LH46140	2LH46140	WIRE EXIT FAN		1	1	1
46	303LL02330	3LL02330	HOLDER WIRE D		2	2	2
47	302K939460	2K939460	GUIDE WIRE IH		1	1	1
48	7YZM610008++H01	YZ037940	ACCESS.SADDLE		2	2	2
49	302K946410	2K946410	WIRE LIFT MOTOR		1	1	1
50	302K939520	2K939520	COVER WIRE FUSER		1	1	1
51	302LF46251	2LF46251	WIRE HVU MAIN		1	1	1
⊙ A01	302K994C80	2K994C80	PARTS PAPER LEVEL SENSOR ASSY SP		2	2	2
52	*302K909510	2K909510	MOUNT PAPER LEVEL SENSOR		2	2	2
⊙ 53	*303M894260	3M894260	PARTS SENSOR OPT SP		4	4	4
54	*302K946420	2K946420	WIRE PAPER SENSOR		2	2	2
⊙ A02	302K994120	2K994120	PARTS SIZE DETECTION ASSY SP		2	2	2
55	*302K909520	2K909520	MOUNT SIZE SENSOR		2	2	2
56	*302K909541	2K909541	HOLDER SIZE DETECTION		2	2	2
57	*302K909580	2K909580	PIN PAPER SIZE A		2	2	2
58	*302K909590	2K909590	PIN PAPER SIZE B		2	2	2
59	*302K909600	2K909600	PIN PAPER SIZE C		2	2	2
60	*302K946400	2K946400	WIRE CASSETTE SIZE		2	2	2
⊙ 61	*7SP01000006+H01	SP121020	SW.PUSH		2	2	2
⊙ 62	*7SP03072001+H01	SP121030	SW.PUSH		2	2	2
63	302K946590	2K946590	WIRE FUSER JOINT		1	1	1
64	302K946580	2K946580	WIRE JOBSEPARATOR JOINT		1	1	1
⊙ 65	302LC94270	2LC94270	PARTS PWB CURRENT AVE ASSY SP		1	1	1
66	302LH46150	2LH46150	WIRE CURRENT PWB POWER			1	1
67	302LH46160	2LH46160	WIRE CURRENT PWB			1	1
68	302K946870	2K946870	WIRE INLET ASSY 2		1		
69	3019527401	19527401	POWER CORD(120)		2		
70	2AR27800	2AR27800	POWER CORD(230)			1	
71	7AAACCAS+10H001	AA063380	AC CORD ASSY AS				1
101	7BB700408H	BB105640	+BIND T.T S SCREW 4X8 SR				
102	7BB700330H	BB106840	+BIND T.T S SCREW 3X30 SR				
103	7BB607320H	BB106890	+TP-CUP M SCREW 3X20 R				
104	7BB700308H	BB105600	+BIND T.T S SCREW 3X8 SR				

- Parts with "⊙" indicate regular maintenance parts.
- Parts with Ref.No. indicate maintenance parts and the ones without it indicate out of the above.

- Parts with "*" are component parts or sub-assemblies of the assembly appearing immediately above them.
- Parts with "••" are component parts or sub-assembly with "•" appearing immediately above them.

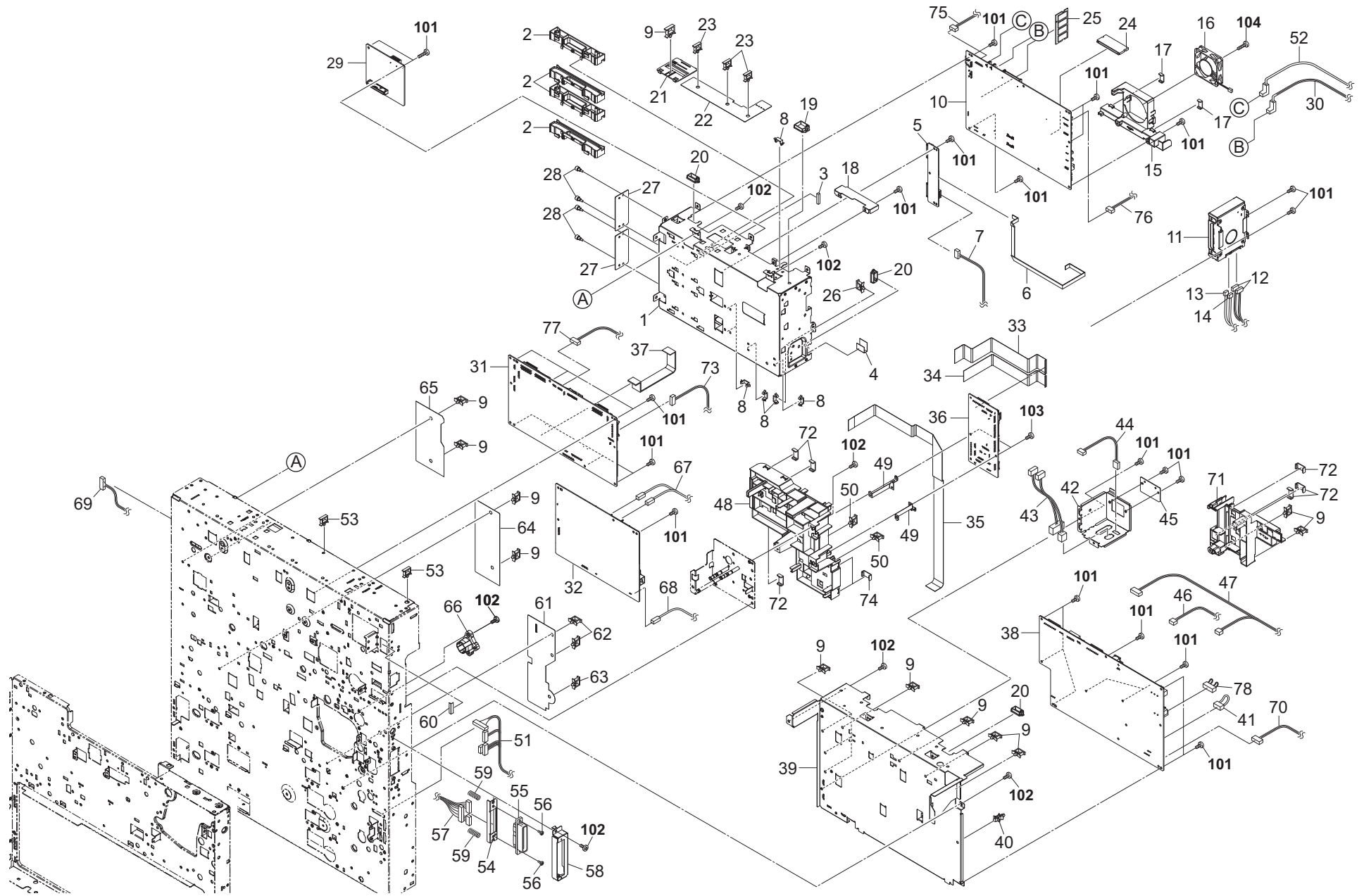


FIG. 33 Electrical Components 2

2LG/2LF-3

Ref. No.	Part.No.	Alternative.	Description	Notes	Quantity		
					120	230	240
1	302K939010	2K939010	SHIELD BOX		1	1	1
2	302K939030	2K939030	RAIL PWB		4	4	4
3	7ZGSTGH12013H01	ZG128670	SHIELD GASKET		1	1	1
4	302H002290	2H002290	FILM PROTECT A		1	1	1
5	302K994270	2K994270	PARTS PWB KUIO ASSY SP		1	1	1
6	302K946990	2K946990	WIRE FFC KUIO		1	1	1
7	302K946910	2K946910	WIRE KUIO POWER		1	1	1
8	7YZM390011++H01	YZ050250	ACCESS.CLAMP		6	6	6
9	7YZM610003++H01	YZ010250	ACCESS SADDLE		14	14	14
10	302LF94171	2LF94171	PARTS PWB MAIN ASSY SP		1		1
10	302LF94181	2LF94181	PARTS PWB MAIN ASSY SP EU			1	
11	302LC93160	2LC93160	PARTS STORAGE DEVICE SP		1	1	1
12	302K946A10	2K946A10	WIRE HDD POWER		1	1	1
13	302K946A20	2K946A20	WIRE HDD DATA1		1	1	1
14	302K946A30	2K946A30	WIRE HDD DATA2		1	1	1
15	302K939040	2K939040	HOLDER FAN MAIN		1	1	1
16	302K994340	2K994340	PARTS FAN BOX COOLING 60 SP		1	1	1
17	303LL02330	3LL02330	HOLDER WIRE D		2	2	2
18	302K939620	2K939620	COVER CONTROL BOX TOP		1	1	1
19	7YZM210002++H01	YZ004730	ACCESS.EDGING		1	1	1
20	7YZM210003++H01	YZ037970	ACCESS.EDGING		3	3	3
21	302K939070	2K939070	GUIDE CF		1	1	1
22	302K939060	2K939060	FILM SHIELD BOX		1	1	1
23	M70AF010	M70AF010	CLAMP,LCT-1.5SIEM(TAKEUCHI)		3	3	3
24	302LF94241	2LF94241	PARTS PWB CODE DIMM ASSY SP		1	1	1
25	302LC94390	2LC94390	PARTS MEMORY MODULE SP		1	1	1
26	7YZM610002++H01	YZ010240	ACCESS SADDLE		1	1	1
27	302K339050	2K339050	PLATE OPTION		2	2	2
28	5MMT263SN012++R	2D903100	SCREW OP / M3 X 8 CRFREE A4		4	4	4
29	303M494010	3M494010	PARTS PWB DPIF ASSY SP		1	1	1
30	302K946781	2K946781	WIRE MAIN-PANEL USB JOINT		1	1	1
31	302LF94200	2LF94200	PARTS PWB ENGINE ASSY SP		1	1	1
32	302LF94260	2LF94260	PARTS UNIT HIGH VOLTAGE MAIN SP		1	1	1
33	302K946B40	2K946B40	WIRE FFC FEED1		1	1	1
34	302K946B50	2K946B50	WIRE FFC FEED2		1	1	1
35	302K946B60	2K946B60	WIRE FFC FEED3		1	1	1
36	302K994181	2K994181	PARTS PWB FEED 1 ASSY SP		1	1	1
37	302K946560	2K946560	WIRE FFC MAIN-ENGINE 2		1	1	1
38	302K994411	2K994411	PARTS UNIT LOW VOLTAGE SP		1	1	1
39	302K939401	2K939401	PLATE PWB LVU		1	1	1
40	7YZM510007++H01	YZ042780	ACCESS.SPACER		1	1	1
41	302K946AR0	2K946AR0	WIRE CASSETTE HEATER LOOP		1	1	1
42	302K939430	2K939430	PLATE OPTION COIN-VENDOR		1	1	1
43	302LF46A70	2LF46A70	WIRE PF JOINT		1	1	1
44	302K946A60	2K946A60	WIRE PF CASSETTE HEATER		1	1	1
45	302FB26290	2FB26290	LID VENDOR		1	1	1
46	302K946A40	2K946A40	WIRE MAIN-LVU		1	1	1
47	302K946980	2K946980	WIRE LVU RIGHT		1	1	1
48	302K939140	2K939140	GUIDE FFC FEED 1		1	1	1

Ref. No.	Part.No.	Alternative.	Description	Notes	Quantity		
					120	230	240
49	302K939150	2K939150	PLATE PWB FEED		2	2	2
50	7YZM610004++H01	YZ012210	ACCESS SADDLE		2	2	2
51	302K946571	2K946571	WIRE FEED JOINT		1	1	1
52	302K946921	2K946921	WIRE USB HOST JOINT		1	1	1
53	M70AF010	M70AF010	CLAMP,LCT-1.5SIEM(TAKEUCHI)		2	2	2
54	302K924340	2K924340	MOUNT DRAWER A		1	1	1
55	7YCC60M2199+H01	YC125800	CONNECTOR		1	1	1
56	302K924350	2K924350	PIN DRAWER		2	2	2
57	302LF46610	2LF46610	WIRE DU JOINT		1	1	1
58	302K924380	2K924380	MOUNT DRAWER B		1	1	1
59	302K924360	2K924360	SPRING DRAWER		2	2	2
60	302LC02780	2LC02780	SHEET COVER FUSER PWB		1	1	1
61	302LF02410	2LF02410	SHEET PWB HVU MAIN		1	1	1
62	7YZM610008++H01	YZ037940	ACCESS.SADDLE		2	2	2
63	7YZM610001++H01	YZ010230	ACCESS SADDLE		1	1	1
64	302LF39090	2LF39090	SHEET WIRE HVU MAIN		1	1	1
65	302LF39070	2LF39070	FILM WIRE ENGINE		1	1	1
66	302K931210	2K931210	HOLDER ATTACHMENT		1	1	1
67	302LH46330	2LH46330	WIRE HVU DLP		1	1	1
68	302LF46950	2LF46950	WIRE T1 POWER		1	1	1
69	302K946900	2K946900	WIRE BRIDGE JOINT		1	1	1
70	302LF46890	2LF46890	WIRE CASSETTE HEATER		1	1	1
71	302K939170	2K939170	GUIDE FFC FEED 2		1	1	1
72	303LL02180	3LL02180	HOLDER WIRE A		6	6	6
73	302K946960	2K946960	WIRE ENGINE POWER		1	1	1
74	303LL02330	3LL02330	HOLDER WIRE D		2	2	2
75	302K946760	2K946760	WIRE MAIN-OPERATION		1	1	1
76	302K946770	2K946770	WIRE PANEL-LVU		1	1	1
77	302K946AJ0	2K946AJ0	WIRE KEY COUNTER		1		
78	302LC46860	2LC46860	WIRE LVU JOINT			1	1
101	7BB700308H	BB105600	+BIND T.T S SCREW 3X8 SR				
102	7BB700408H	BB105640	+BIND T.T S SCREW 4X8 SR				
103	7BB200308H	BB105660	+BIND T.T P SCREW 3X8				
104	7BB200320H	BB113430	+BIND T.T P SCREW 3X20				

- Parts with "⊙" indicate regular maintenance parts.
- Parts with Ref.No. indicate maintenance parts and the ones without it indicate out of the above.

- Parts with "*" are component parts or sub-assemblies of the assembly appearing immediately above them.
- Parts with "••" are component parts or sub-assembly with "•" appearing immediately above them.

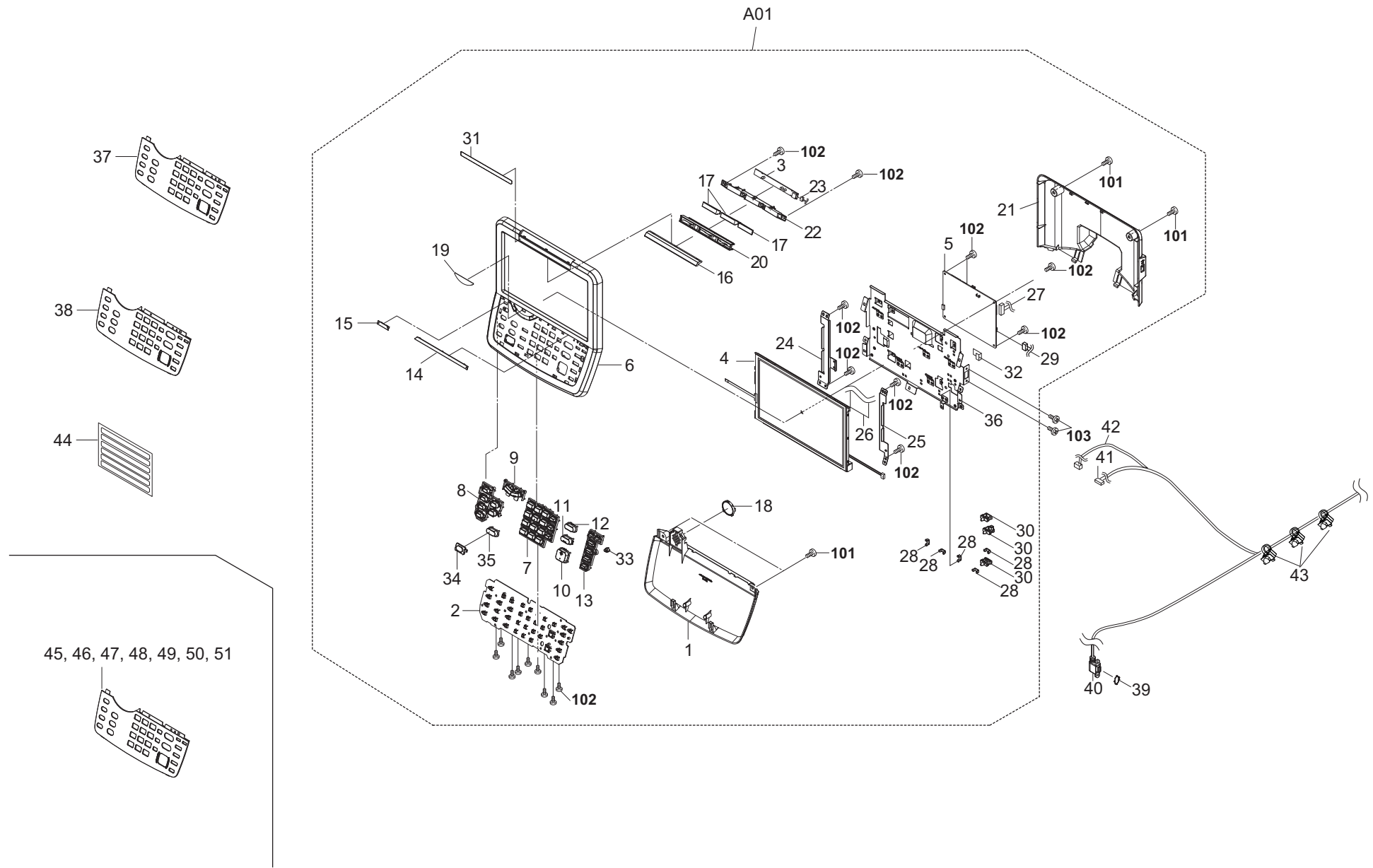


FIG. 34 Operation Panel Section

2LG/2LF-3

Ref. No.	Part.No.	Alternative.	Description	Notes	Quantity		
					120	230	240
⊙ A01	302LF94092	2LF94092	PARTS OPERATION UNIT SP		1	1	1
⊙ 1	*302K905020	2K905020	COVER OPERATION B		1	1	1
⊙ 2	*302K994240	2K994240	PARTS PWB OPERATION ASSY SP		1	1	1
⊙ 3	*302K994250	2K994250	PARTS PWB OPERATION LED ASSY SP		1	1	1
⊙ 4	*302K994880	2K994880	PARTS LCD OPERATION SP		1	1	1
⊙ 5	*302K994840	2K994840	PARTS PWB PANEL MAIN ASSY SP		1	1	1
⊙ 6	*302K905010	2K905010	COVER OPERATION A		1	1	1
7	*302LC05050	2LC05050	KEY 10		1	1	1
8	*302LC05070	2LC05070	KEY FUNCTION		1	1	1
9	*302LC05080	2LC05080	KEY UNIVERSAL		1	1	1
10	*302LC05090	2LC05090	KEY START		1	1	1
11	*302LC05100	2LC05100	KEY STOP		1	1	1
12	*302LC05110	2LC05110	KEY RESET		1	1	1
13	*302LC05120	2LC05120	KEY POWER SUPPLY		1	1	1
14	*302LC05150	2LC05150	LID OPERATION SHEET A		1	1	1
15	*302LC05160	2LC05160	LID OPERATION SHEET B		1	1	1
⊙ 16	*302K905070	2K905070	COVER UPPER LED		1	1	1
17	*302LC05310	2LC05310	LENS LED		3	3	3
⊙ 18	*302LC94370	2LC94370	PARTS SPEAKER SP		1	1	1
⊙ 19	*302LC05390	2LC05390	LABEL UNIVERSAL		1	1	1
20	*302K905090	2K905090	LID LED		1	1	1
21	*302K905030	2K905030	LID OPERATION REAR		1	1	1
22	*302K905080	2K905080	HOLDER LED		1	1	1
23	*302K946830	2K946830	WIRE OPERATION UPPER		1	1	1
24	*302K905050	2K905050	MOUNT LCD A		1	1	1
25	*302K905060	2K905060	MOUNT LCD B		1	1	1
26	*302K946B90	2K946B90	WIRE FFC LCD		1	1	1
27	*302K946820	2K946820	WIRE OPERATION RIGHT		1	1	1
28	*302K931080	2K931080	WIRE STOPPER		5	5	5
29	*302K946840	2K946840	WIRE OPERATION LEFT		1	1	1
30	*7YZM610002++H01	YZ010240	ACCESS SADDLE		3	3	3
31	*302K905610	2K905610	LABEL LED EN		1	1	1
32	*302H002290	2H002290	FILM PROTECT A		1	1	1
33	*302LC05590	2LC05590	LENS LED B		1	1	1
34	*305JT05020	5JT05020	HOLDER KEY FAX		1	1	1
35	*305JT05010	5JT05010	KEY FAX		1	1	1
36	*302K905040	2K905040	MOUNT MAIN PWB		1	1	1
⊙ 37	302LF05011	2LF05011	PANEL OPERATION		1	1	1
38	302LF05031	2LF05031	LABEL OPERATION EN		1	1	1
39	302K905900	2K905900	SPRING USB HOLD		1	1	1
40	302K946801	2K946801	WIRE USB HOST		1	1	1
41	302K946810	2K946810	WIRE PANEL JOINT		1	1	1
42	302K946791	2K946791	WIRE MAIN-PANEL USB		1	1	1
43	7YZM410002++H01	YZ042720	ACCESS.BAND		3	3	3
44	302K905650	2K905650	LABEL LED SET A		1	1	
45	302LF05041	2LF05041	LABEL OPERATION DE			1	
46	302LF05051	2LF05051	LABEL OPERATION FR		1	1	
47	302LF05061	2LF05061	LABEL OPERATION TL			1	
48	302LF05071	2LF05071	LABEL OPERATION ES		1	1	

Ref. No.	Part.No.	Alternative.	Description	Notes	Quantity		
					120	230	240
49	302LF05081	2LF05081	LABEL OPERATION PT		1	1	
50	302LF05091	2LF05091	LABEL OPERATION NL			1	
51	302LF05101	2LF05101	LABEL OPERATION RU			1	
101	7BB180408H	BB111210	+BIND T.T S SCREW 4X8(BLACK)				
102	7BB200308H	BB105660	+BIND T.T P SCREW 3X8				
103	7BB600306H	BB105730	+BIND M SCREW 3X6 R				

- Parts with "⊙" indicate regular maintenance parts.
- Parts with Ref.No. indicate maintenance parts and the ones without it indicate out of the above.

- Parts with "*" are component parts or sub-assemblies of the assembly appearing immediately above them.
- Parts with "• •" are component parts or sub-assembly with "•" appearing immediately above them.

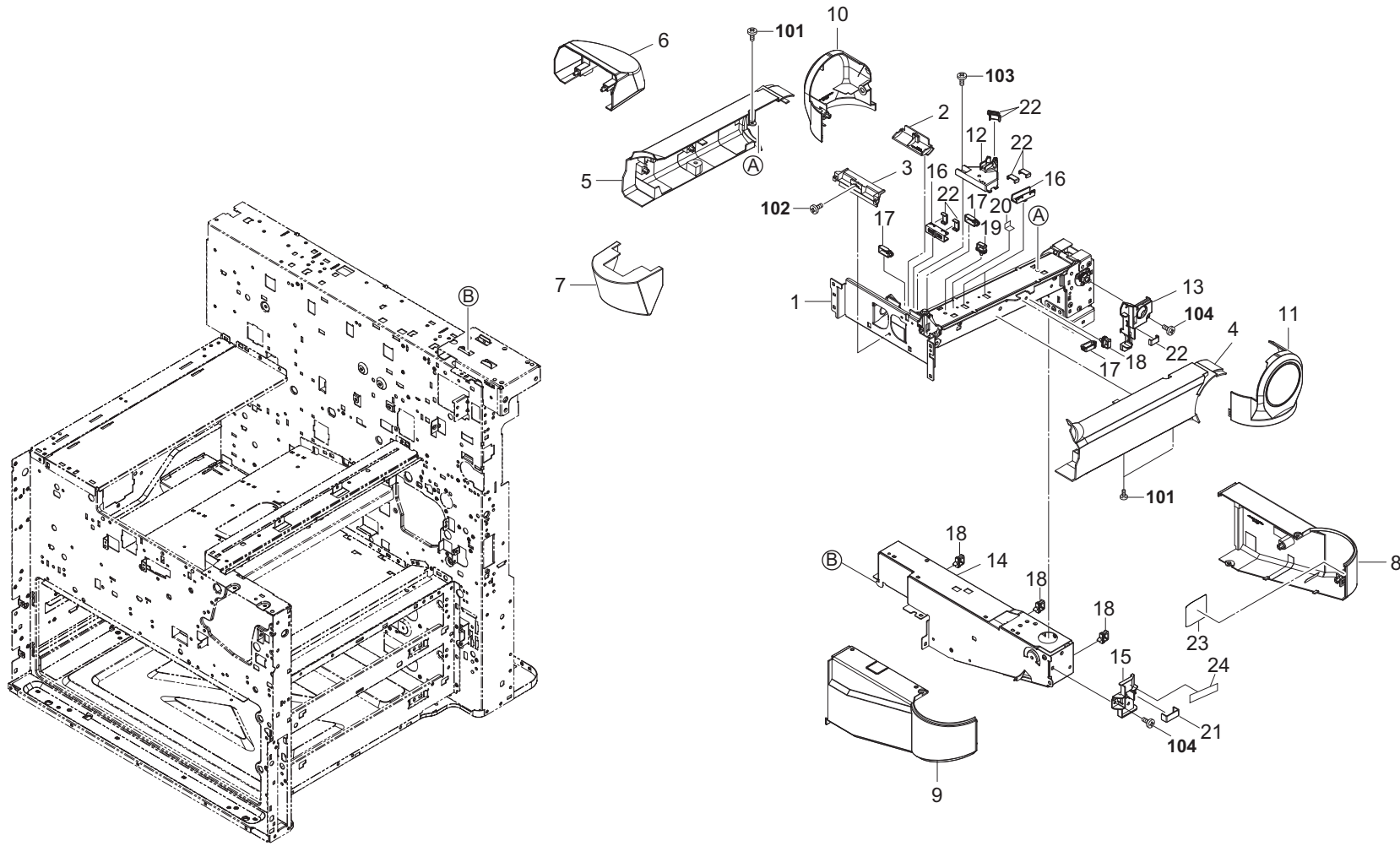


FIG. 35 Operation Arm Section

2LG/2LF-3

Ref. No.	Part.No.	Alternative.	Description	Notes	Quantity		
					120	230	240
1	302K905500	2K905500	HINGE OPERATION ARM		1	1	1
2	302K905150	2K905150	LID OPERATION HINGE B		1	1	1
3	302K905140	2K905140	LID OPERATION HINGE A		1	1	1
⊙ 4	302K905100	2K905100	COVER OPERATION ARM A		1	1	1
⊙ 5	302K905110	2K905110	COVER OPERATION ARM B		1	1	1
⊙ 6	302K905120	2K905120	COVER OPERATION HINGE A		1	1	1
⊙ 7	302K905130	2K905130	COVER OPERATION HINGE B		1	1	1
⊙ 8	302K904400	2K904400	COVER OPERATION MOUNT A		1	1	1
⊙ 9	302K904410	2K904410	COVER OPERATION MOUNT B		1	1	1
⊙ 10	302K905170	2K905170	COVER HINGE FULCRUM B		1	1	1
⊙ 11	302K905161	2K905161	COVER HINGE FULCRUM A		1	1	1
12	302K905540	2K905540	GUIDE WIRE OPERATION A		1	1	1
13	302K905550	2K905550	GUIDE WIRE OPERATION B		1	1	1
14	302K905590	2K905590	MOUNT OPERATION ARM		1	1	1
15	302K905641	2K905641	GUIDE OPERATION MOUNT		1	1	1
16	302LF39050	2LF39050	GUIDE WIRE FRONT PWB		3	3	3
17	7YZM210003++H01	YZ037970	ACCESS.EDGING		3	3	3
18	7YZM610002++H01	YZ010240	ACCESS SADDLE		4	4	4
19	7YZM610001++H01	YZ010230	ACCESS SADDLE		1	1	1
20	302F902450	2F902450	SHEET WIRE		1	1	1
21	303LL02180	3LL02180	HOLDER WIRE A		1	1	1
22	303LL02330	3LL02330	HOLDER WIRE D		9	9	9
23	303JX07350	3JX07350	SHEET LEFT GUIDE A		1	1	1
24	302K914A50	2K914A50	SEAL CASE DLP		1	1	1

Ref. No.	Part.No.	Alternative.	Description	Notes	Quantity		
					120	230	240
101	7BB180408H	BB111210	+BIND T.T S SCREW 4X8(BLACK)				
102	7BB200308H	BB105660	+BIND T.T P SCREW 3X8				
103	7BB100406H	BB106920	+BIND T.T S SCREW 4X6				
104	7BB700408H	BB105640	+BIND T.T S SCREW 4X8 SR				

- Parts with "⊙" indicate regular maintenance parts.
- Parts with Ref.No. indicate maintenance parts and the ones without it indicate out of the above.

- Parts with "*" are component parts or sub-assemblies of the assembly appearing immediately above them.
- Parts with "•" are component parts or sub-assembly with "*" appearing immediately above them.

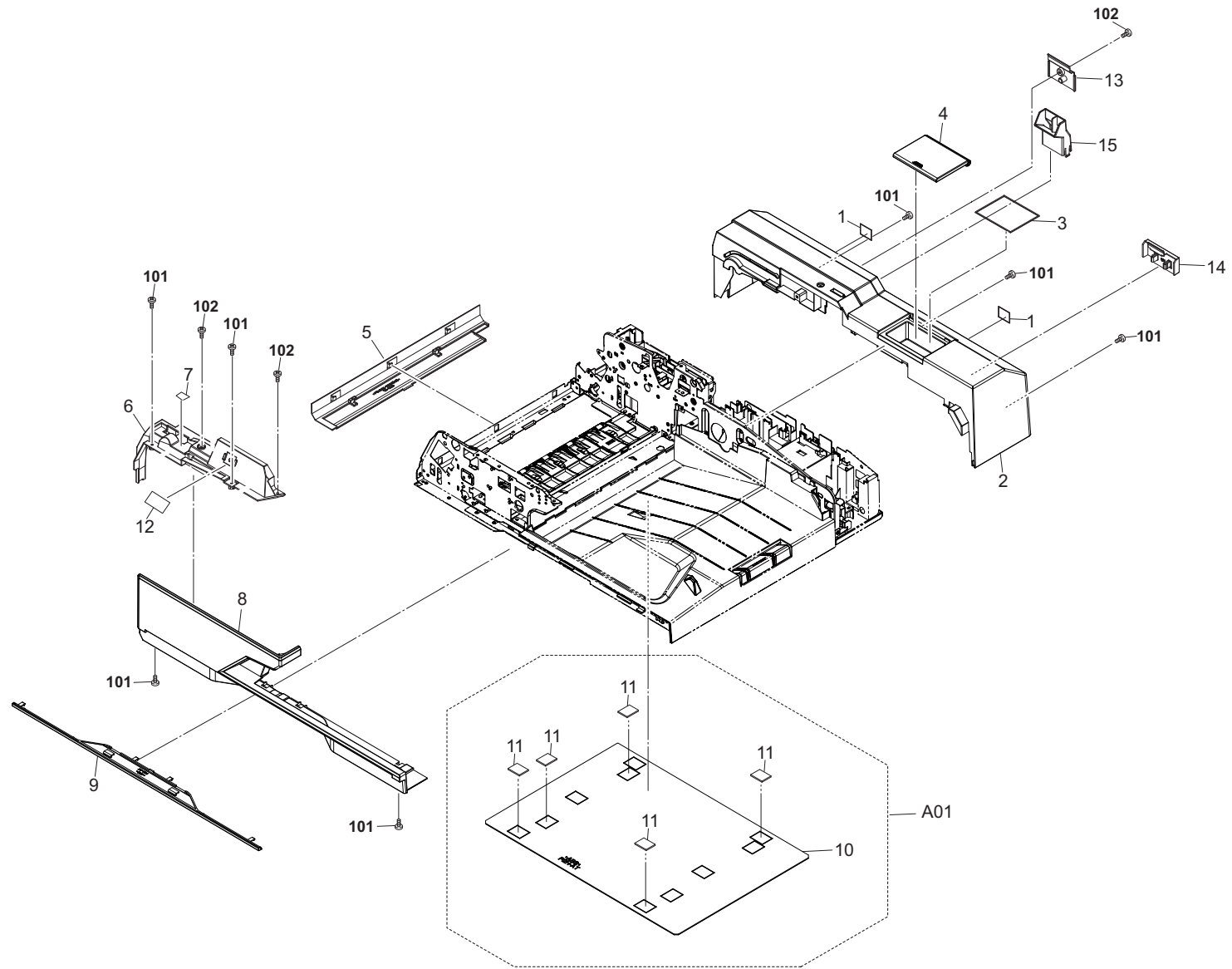


FIG. 36 Covers(DP)

2LG/2LF-3

	Ref. No.	Part.No.	Alternative.	Description	Notes	Quantity		
						120	230	240
⊙	1	303M434080	3M434080	LABEL CAUTION B		2	2	2
⊙	2	303M404020	3M404020	COVER REAR		1	1	1
⊙	3	303H604090	3H604090	CLOTH CLEANING		1	1	1
⊙	4	303M404160	3M404160	LID REAR COVER		1	1	1
⊙	5	303M404050	3M404050	COVER LEFT		1	1	1
⊙	6	303M404060	3M404060	COVER INNER		1	1	1
⊙	7	303M434040	3M434040	LABEL C		1	1	1
⊙	8	303M404010	3M404010	COVER FRONT		1	1	1
⊙	9	303M404130	3M404130	HANDLE FRONT COVER		1	1	1
⊙	A01	303LL94031	3LL94031	PARTS MAT ASSY		1	1	1
	10	*303JC04200	3JC04200	PLATE ORIGINAL		1	1	1
	11	*303MX02021	3MX02021	CUSHION ORIGINAL MAT A		5	5	5
	12	303M404090	3M404090	FILM LED		1	1	1
⊙	13	303M404070	3M404070	COVER HINGE LEFT		1	1	1
⊙	14	303M404080	3M404080	COVER HINGE RIGHT		1	1	1
⊙	15	303M404110	3M404110	COVER WIRE INTERFACE		1	1	1

	Ref. No.	Part.No.	Alternative.	Description	Notes	Quantity		
						120	230	240
	101	7BB282308H	BB111240	+TP-FLAT T.T P SCREW 3X8(BLACK)				
	102	7BB780308H	BB111200	+BIND T.T S SCREW 3X8 SR(BLACK)				

- Parts with "⊙" indicate regular maintenance parts.
- Parts with Ref.No. indicate maintenance parts and the ones without it indicate out of the above.

- Parts with "*" are component parts or sub-assemblies of the assembly appearing immediately above them.
- Parts with "••" are component parts or sub-assembly with "•" appearing immediately above them.

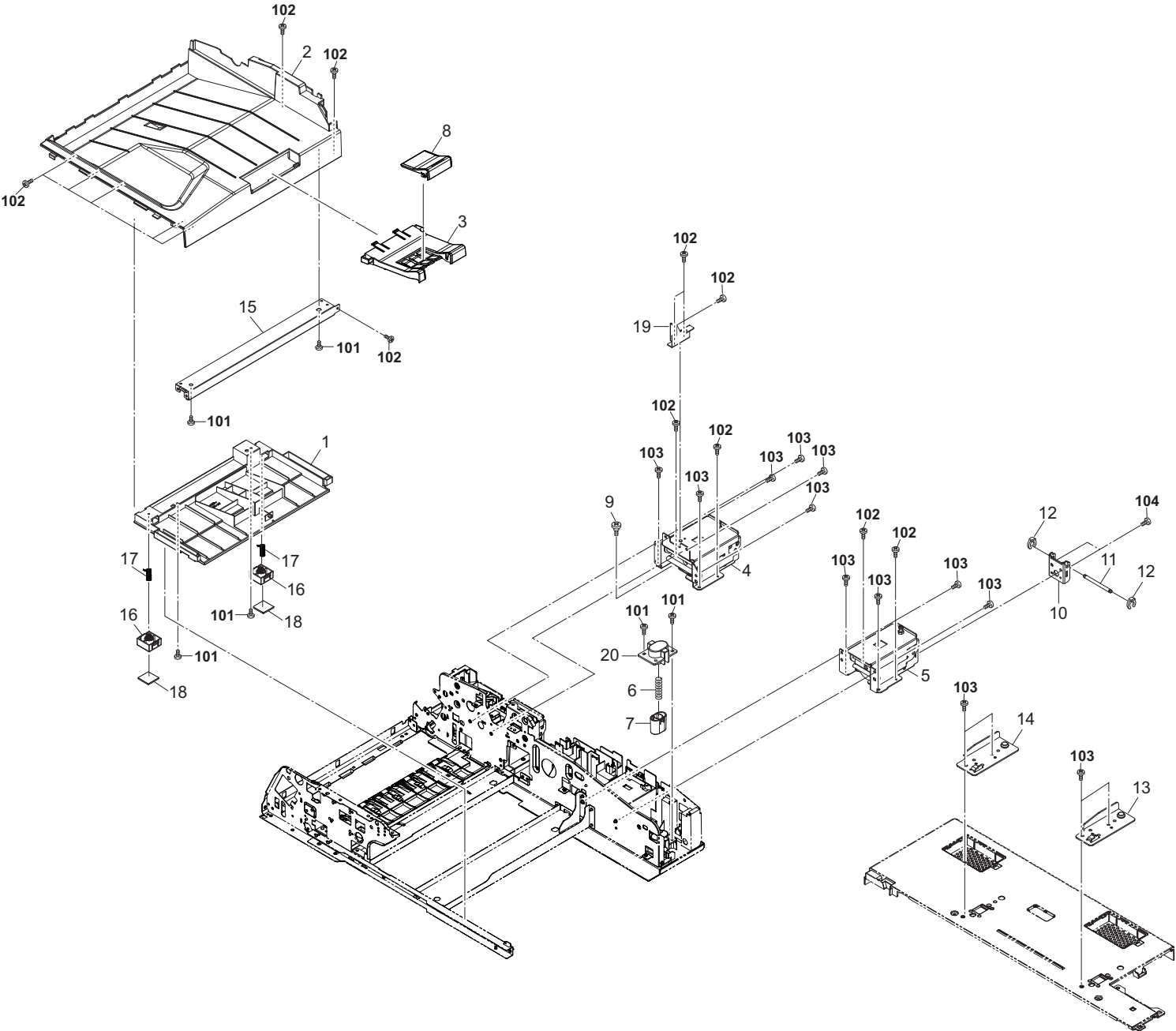


FIG. 37 Frames(DP)

2LG/2LF-3

Ref. No.	Part.No.	Alternative.	Description	Notes	Quantity		
					120	230	240
⊙ 1	303M404100	3M404100	COVER BOTTOM RIGHT		1	1	1
⊙ 2	303M404040	3M404040	TRAY EJECT		1	1	1
3	303M404121	3M404121	TRAY SLIDE		1	1	1
4	303M402021	3M402021	HINGE LEFT		1	1	1
5	303M402031	3M402031	HINGE RIGHT		1	1	1
6	303JX02090	3JX02090	SPRING PUSH SW		1	1	1
⊙ 7	303LL02390	3LL02390	PUSH SW		1	1	1
8	303M404170	3M404170	STOPPER EJECT		1	1	1
9	303JX02260	3JX02260	PIN HINGE		1	1	1
10	303M402170	3M402170	PLATE ANGLE		1	1	1
11	303JX02391	3JX02391	SHAFT ANGLE RESTRICTION		1	1	1
12	5MVX111DN003	2A806250	RING STOPPER /A-49 FEED A4		2	2	2
13	303LL02380	3LL02380	PLATE GUIDE HINGE		1	1	1
14	303M402200	3M402200	PLATE GUIDE HINGE		1	1	1
15	303M402190	3M402190	STAY EJECT TRAY		1	1	1
16	303LL02410	3LL02410	MOUNT CUSHION		2	2	2
17	303LL02430	3LL02430	SPRING PUSH MAT		2	2	2
18	303LL02530	3LL02530	CUSHION ORIGINAL MAT		2	2	2
19	303M402180	3M402180	PLATE HINGE UPPER		1	1	1
20	303LL02150	3LL02150	HOLDER SPRING PUSH SW		1	1	1

Ref. No.	Part.No.	Alternative.	Description	Notes	Quantity		
					120	230	240
101	7BB200308H	BB105660	+BIND T.T P SCREW 3X8				
102	7BB700308H	BB105600	+BIND T.T S SCREW 3X8 SR				
103	7BB700408H	BB105640	+BIND T.T S SCREW 4X8 SR				
104	7BB607414H	BB107160	+TP-CUP M SCREW 4X14 R				

- Parts with "⊙" indicate regular maintenance parts.
- Parts with Ref.No. indicate maintenance parts and the ones without it indicate out of the above.

- Parts with "*" are component parts or sub-assemblies of the assembly appearing immediately above them.
- Parts with "•" are component parts or sub-assembly with "*" appearing immediately above them.

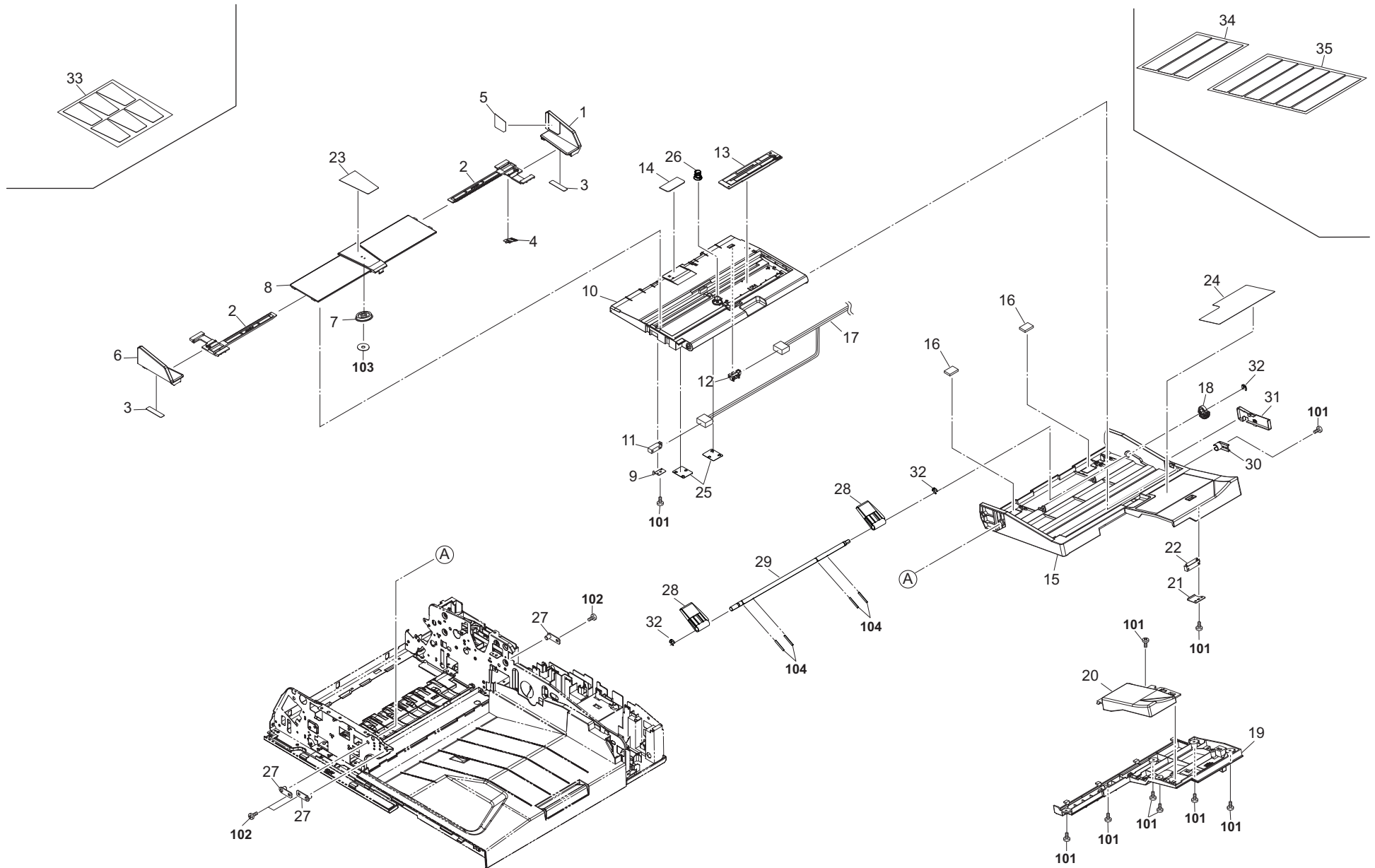


FIG. 38 Table Assy(DP)

2LG/2LF-3

Ref. No.	Part.No.	Alternative.	Description	Notes	Quantity		
					120	230	240
⊙ 1	303M406020	3M406020	CURSOR REAR		1	1	1
2	303M406030	3M406030	RACK TABLE		2	2	2
3	3HL06090	3HL06090	CUSHION CURSOR		2	2	2
4	3HL06110	3HL06110	TERMINAL PAPER SIZE		1	1	1
5	303M434060	3M434060	LABEL ORIGINAL MAX		1	1	1
⊙ 6	303M406010	3M406010	CURSOR FRONT		1	1	1
7	303JX06070	3JX06070	PINION GEAR		1	1	1
8	303M406040	3M406040	COVER CURSOR		1	1	1
9	303JX06090	3JX06090	SENSOR EARTH		1	1	1
10	303M406090	3M406090	TABLE LIFT		1	1	1
⊙ 11	303NW94060	3NW94060	PARTS SENSOR OPT. SP		1	1	1
⊙ 12	303M894260	3M894260	PARTS SENSOR OPT SP		1	1	1
⊙ 13	303M894270	3M894270	PARTS PWB SIZE DETECTION ASSY SP		1	1	1
14	3A707290	3A707290	PAD,LIFT		1	1	1
15	303M406100	3M406100	BASE TABLE		1	1	1
16	303M406140	3M406140	SPONGE LIFT		2	2	2
17	303M446040	3M446040	WIRE TABLE UNIT		1	1	1
⊙ 18	303M406070	3M406070	GEAR LIFT Z30		1	1	1
19	303M406110	3M406110	COVER TABLE		1	1	1
20	303M406120	3M406120	SUB TABLE		1	1	1
21	303LL06090	3LL06090	MOUNT ORIGINAL SENSOR		1	1	1
⊙ 22	303NW94050	3NW94050	PARTS SENSOR OPT. SP		1	1	1
23	303M434100	3M434100	LABEL FACE UP EN		1	1	1
24	303M434020	3M434020	LABEL CAUTION IN		1		
24	303M434030	3M434030	LABEL CAUTION ME			1	1
25	302H702540	2H702540	FILM WIRE OPE		2	2	2
26	302H712650	2H712650	SPRING DRUM JOINT		1	1	1
27	303M402210	3M402210	PIN TABLE		3	3	3
28	303M406050	3M406050	LEVER LIFT		2	2	2
29	303M406060	3M406060	SHAFT LIFT		1	1	1
30	303M406080	3M406080	BUSH TABLE		1	1	1
31	303M406130	3M406130	COVER TABLE REAR		1	1	1
32	2BC06910	2BC06910	STOPPER 6		3	3	3
33	303M434130	3M434130	LABEL FACE UP SET		1	1	
34	303M434110	3M434110	LABEL CAUTION SET IN		1		
35	303M434120	3M434120	LABEL CAUTION SET ME			1	

Ref. No.	Part.No.	Alternative.	Description	Notes	Quantity		
					120	230	240
101	7BB200308H	BB105660	+BIND T.T P SCREW 3X8				
102	7BB700308H	BB105600	+BIND T.T S SCREW 3X8 SR				
103	7BC06062N050H01	BC125260	POLYSLIDER 6.2X22X0.5T				
104	7BP513025B0CH01	BP125270	PARALLEL PIN 3X25				

- Parts with "⊙" indicate regular maintenance parts.
- Parts with Ref.No. indicate maintenance parts and the ones without it indicate out of the above.

- Parts with "*" are component parts or sub-assemblies of the assembly appearing immediately above them.
- Parts with "••" are component parts or sub-assembly with "•" appearing immediately above them.

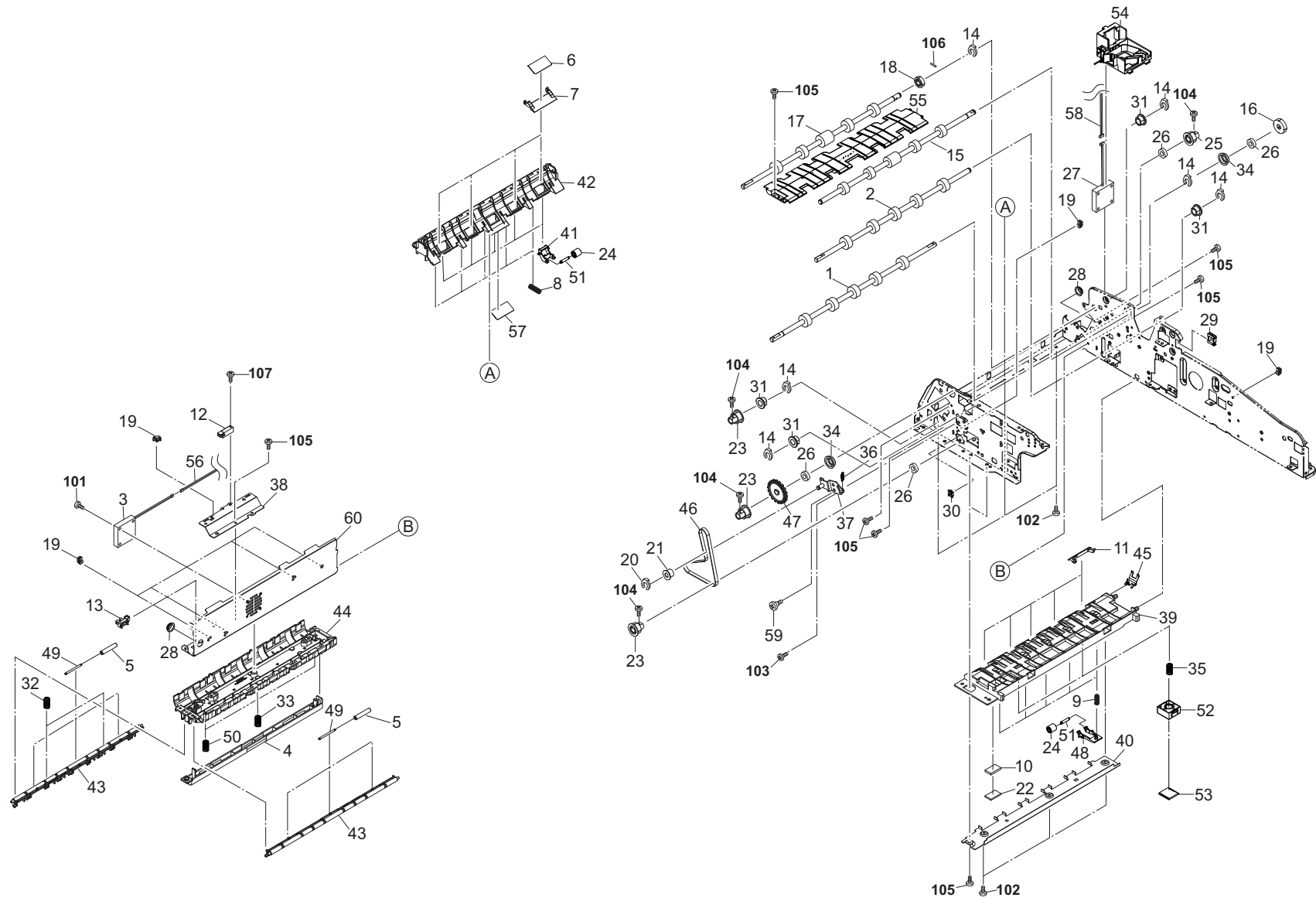


FIG. 39 Paper Conveying Section(DP)

2LG/2LF-3

Ref. No.	Part.No.	Alternative.	Description	Notes	Quantity		
					120	230	240
⊙ 1	303M494090	3M494090	PARTS ROLLER CONVEYING LEFT SP		1	1	1
⊙ 2	303M494100	3M494100	PARTS ROLLER CONVEYING RIGHT SP		1	1	1
⊙ 3	302H794490	2H794490	PARTS FAN COOLING CONV		1	1	1
⊙ 4	303M424251	3M424251	GUIDE READING		1	1	1
5	303LL24190	3LL24190	PULLEY GUIDE READING		6	6	6
6	303M424200	3M424200	SHEET LEFT READING		4	4	4
7	303M424210	3M424210	GUIDE LEFT READING		4	4	4
8	302H008140	2H008140	SPRING BYPASSFFED		5	5	5
9	303NA06110	3NA06110	SPRING PICK UP		5	5	5
10	303M802320	3M802320	SPONGE ORIGINAL MAT A		1	1	1
11	303M824160	3M824160	GUIDE RIGHT READING		5	5	5
⊙ 12	303NW94040	3NW94040	PARTS SENSOR OPT. SP		1	1	1
⊙ 13	303M894260	3M894260	PARTS SENSOR OPT SP		1	1	1
14	2BC06910	2BC06910	STOPPER 6		6	6	6
⊙ 15	303M494070	3M494070	PARTS ROLLER REGISTRATION SP		1	1	1
⊙ 16	303M431110	3M431110	GEAR Z26		1	1	1
⊙ 17	303M494080	3M494080	PARTS ROLLER CONVEYING UPPER SP		1	1	1
⊙ 18	303M431340	3M431340	GEAR 22 CIS IDLE		1	1	1
19	7YZM610007++H01	YZ203340	ACCESS.SADDLE		7	7	7
20	5MVX111DN003	2A806250	RING STOPPER/A-49 FEED A4		1	1	1
⊙ 21	28801190	48928800	PULLEY,TIMING BELT		1	1	1
22	303J902370	3J902370	CUSHION ORIGINAL MAT		1	1	1
⊙ 23	303LL31330	3LL31330	PULLEY 38 CONVEYING		3	3	3
24	303M824210	3M824210	PULLEY CONVEYING BK		10	10	10
25	303M431320	3M431320	PULLEY 48 CONV HIGH		1	1	1
26	7BE008165431H01	BE119730	BEARING 688ZZ		4	4	4
⊙ 27	302H044120	2H044120	FAN COOLING 40-15		1	1	1
28	7YZM110001++H01	YZ009420	ACCESS.BUSHING		2	2	2
29	7YZM210005++H01	YZ037990	ACCESS.EDGING		1	1	1
30	7YZM210006++H01	YZ038000	ACCESS.EDGING		1	1	1
⊙ 31	28107310	49028101	BUSH 8		4	4	4
32	302HNO4250	2HNO4250	SPRING SIDE COVER		2	2	2
33	302K309370	2K309370	SPRING CURSOR SET		1	1	1
34	302K931960	2K931960	HOLDER BEARING 688ZZ		2	2	2
35	303LL02430	3LL02430	SPRING PUSH MAT		2	2	2
36	303LL31390	3LL31390	SPRING TENSION CONV		1	1	1
37	303LL31520	3LL31520	PLATE TENSION EJECT		1	1	1
38	303M402100	3M402100	MOUNT TIMING SW		1	1	1
39	303M424170	3M424170	GUIDE CONV RIGHT		1	1	1
40	303M424180	3M424180	STAY CONV RIGHT		1	1	1
41	303M424190	3M424190	HOLDER LEFT PULLEY		5	5	5
42	303M424221	3M424221	GUIDE CONV LEFT		1	1	1
43	303M424261	3M424261	HOLDER READ PULLEY		2	2	2
44	303M424270	3M424270	GUIDE CONVEYING LOW		1	1	1
45	303M424280	3M424280	PLATE EARTH CONV LOWER		1	1	1
⊙ 46	303M431270	3M431270	BELT 60S1.5M326		1	1	1
47	303M431280	3M431280	KNOB JAM REMOUREMENT		1	1	1
48	303M824121	3M824121	HOLDER RIGHT PULLEY		5	5	5
49	303M824130	3M824130	SHAFT GUIDE READING		6	6	6

Ref. No.	Part.No.	Alternative.	Description	Notes	Quantity		
					120	230	240
50	303M824140	3M824140	SPRING GUIDE READING		2	2	2
51	303M824200	3M824200	SHAFT PULLEY		10	10	10
52	303LL02410	3LL02410	MOUNT CUSHION		2	2	2
53	303LL02530	3LL02530	CUSHION ORIGINAL MAT		2	2	2
54	303M402111	3M402111	HOLDER FAN		1	1	1
55	303M424060	3M424060	GUIDE REGIST LOWER		1	1	1
56	303M446100	3M446100	WIRE CIS FAN		1	1	1
57	303M424440	3M424440	SHEET GUIDE CONV LEFT		1	1	1
58	303M446150	3M446150	WIRE FAN		1	1	1
59	3CZ02230	3CZ02230	PIN,HOOK FULCRUM		1	1	1
60	303M402060	3M402060	STAY CONVEYING		1	1	1
101	7BB100316H1	BB107080	+BIND T.T S SCREW 3X16				
102	7BB200308H	BB105660	+BIND T.T P SCREW 3X8				
103	7BB606308H	BB105280	+PAN M SCREW WITH SW W 3X8 R				
104	7BB607308H	BB112190	+TP-CUP M SCREW 3X8 R				
105	7BB700308H	BB105600	+BIND T.T S SCREW 3X8 SR				
106	5MBP2012WXSP	E0020120	SPRING PIN / M2 X 12 S-BLK				
107	7BB100312H1	BB112480	+BIND T.T S SCREW 3X12				

- Parts with "⊙" indicate regular maintenance parts.
- Parts with Ref.No. indicate maintenance parts and the ones without it indicate out of the above.

- Parts with "*" are component parts or sub-assemblies of the assembly appearing immediately above them.
- Parts with "••" are component parts or sub-assembly with "•" appearing immediately above them.

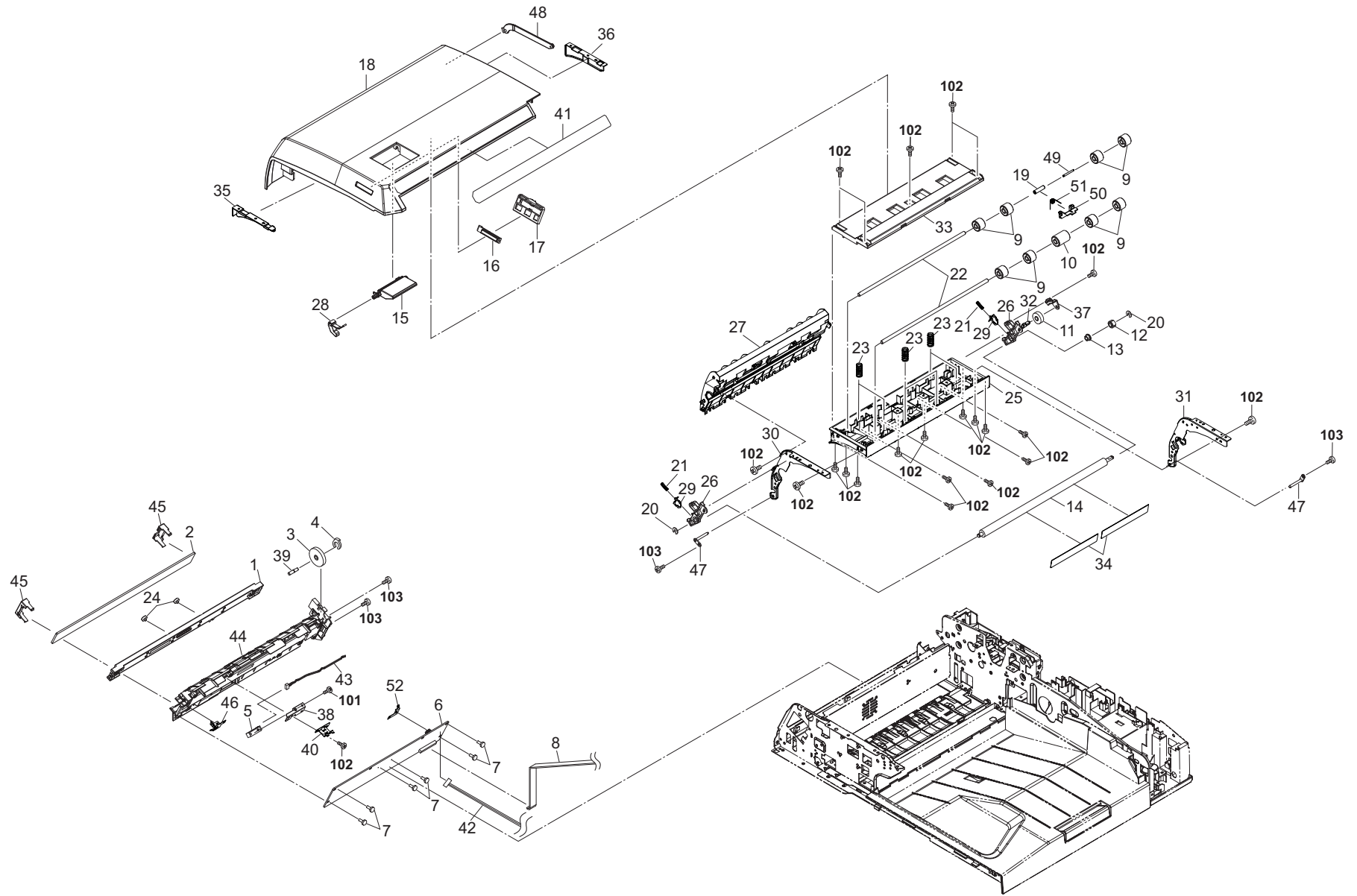


FIG. 40 Paper Feed Section 1(DP)

2LG/2LF-4

Ref. No.	Part.No.	Alternative.	Description	Notes	Quantity		
					120	230	240
⊙ 1	303M494050	3M494050	PARTS SENSOR A3 COLOR CIS(C) SP		1	1	1
2	303NW24020	3NW24020	GLASS CIS		1	1	1
⊙ 3	2BL06170	2BL06170	GEAR Z42 FEED		1	1	1
4	5MVX111DN003	2A806250	RING STOPPER/A-49 FEED A4		1	1	1
⊙ 5	303NW94040	3NW94040	PARTS SENSOR OPT. SP		1	1	1
⊙ 6	303M494032	3M494032	PARTS PWB SHD(C) ASSY SP		1	1	1
7	7YZM510019+++H01	YZ123830	ACCESS.SPACER		6	6	6
8	303M446020	3M446020	WIRE INTERFACE VIDEO		1	1	1
9	303M424300	3M424300	PULLEY REGISTRATION BK		8	8	8
10	303M424310	3M424310	PULLEY REG B BK		1	1	1
⊙ 11	302FZ08370	2FZ08370	GEAR JOINT MPT UNIT		1	1	1
⊙ 12	2CK17050	2CK17050	GEAR IDLE Z14S		1	1	1
13	302K324450	2K324450	BUSH 6		1	1	1
⊙ 14	303M494060	3M494060	PARTS ROLLER CIS SP		1	1	1
15	303M404140	3M404140	HANDLE COVER PF		1	1	1
16	303M407300	3M407300	LENS LED		1	1	1
17	303M407400	3M407400	HOLDER LENS		1	1	1
⊙ 18	303M404031	3M404031	COVER PF		1	1	1
19	303M424400	3M424400	PULLY CIS ROLLER		1	1	1
20	302FB09830	2FB09830	CUT WASHER 4		2	2	2
21	303H316360	3H316360	SPRING CONVEYING		2	2	2
22	303LL07130	3LL07130	SHAFT REGISTRATION PULLEY		2	2	2
23	303LL07170	3LL07170	SPRING REGISTRATION		6	6	6
24	303NW24050	3NW24050	SPACER CIS		2	2	2
25	303M407260	3M407260	GUIDE REGIST UPPER		1	1	1
26	303M407270	3M407270	ARM CIS ROLLER FRONT		2	2	2
27	303M407291	3M407291	GUIDE CIS ROLLER		1	1	1
28	303M407310	3M407310	LEVER HANDLE		1	1	1
29	303M407330	3M407330	PLATE EARTH CIS ROLLER		2	2	2
30	303M407340	3M407340	PLATE PF COVER FRONT		1	1	1
31	303M407350	3M407350	PLATE PF COVER REAR		1	1	1
32	303M407360	3M407360	SHAFT CIS IDLE		1	1	1
33	303M407370	3M407370	HOLDER REGIST PULLEY		1	1	1
34	303M407410	3M407410	SHEET CIS ROLLER		2	2	2
35	303M407510	3M407510	COVER PF FRONT		1	1	1
36	303M407520	3M407520	COVER PF REAR		1	1	1
37	303M407530	3M407530	HOLDER GEAR		1	1	1
38	303M424130	3M424130	MOUNT CIS SW		1	1	1
39	303M424240	3M424240	SHAFT CIS IDLE		1	1	1
40	303M424290	3M424290	PLATE EARTH SHD PWB		1	1	1
41	303M434070	3M434070	LABEL SIZE INDICATOR		1	1	1
42	303M446110	3M446110	WIRE SHD		1	1	1
43	303M446120	3M446120	WIRE CISTMG		1	1	1
44	303NW24011	3NW24011	HOUSING CIS		1	1	1
45	303NW24030	3NW24030	STOPPER CIS GLASS		2	2	2
46	303NW24040	3NW24040	PLATE EARTH CIS		1	1	1
47	303LL02190	3LL02190	PIN PF COVER		2	2	2
48	303M407380	3M407380	STRAP PF COVER		1	1	1
49	303M424340	3M424340	SHAFT CIS PULLEY		1	1	1

Ref. No.	Part.No.	Alternative.	Description	Notes	Quantity		
					120	230	240
50	303M424350	3M424350	HOLDER CIS PULLEY		1	1	1
51	303M424420	3M424420	SPRING CIS PULLEY		1	1	1
52	303NW24060	3NW24060	PLATE EARTH CIS REAR		1	1	1
101	7BB100312H1	BB112480	+BIND T.T S SCREW 3X12				
102	7BB200308H	BB105660	+BIND T.T P SCREW 3X8				
103	7BB700308H	BB105600	+BIND T.T S SCREW 3X8 SR				

- Parts with "⊙" indicate regular maintenance parts.
- Parts with Ref.No. indicate maintenance parts and the ones without it indicate out of the above.

- Parts with "*" are component parts or sub-assemblies of the assembly appearing immediately above them.
- Parts with "••" are component parts or sub-assembly with "•" appearing immediately above them.

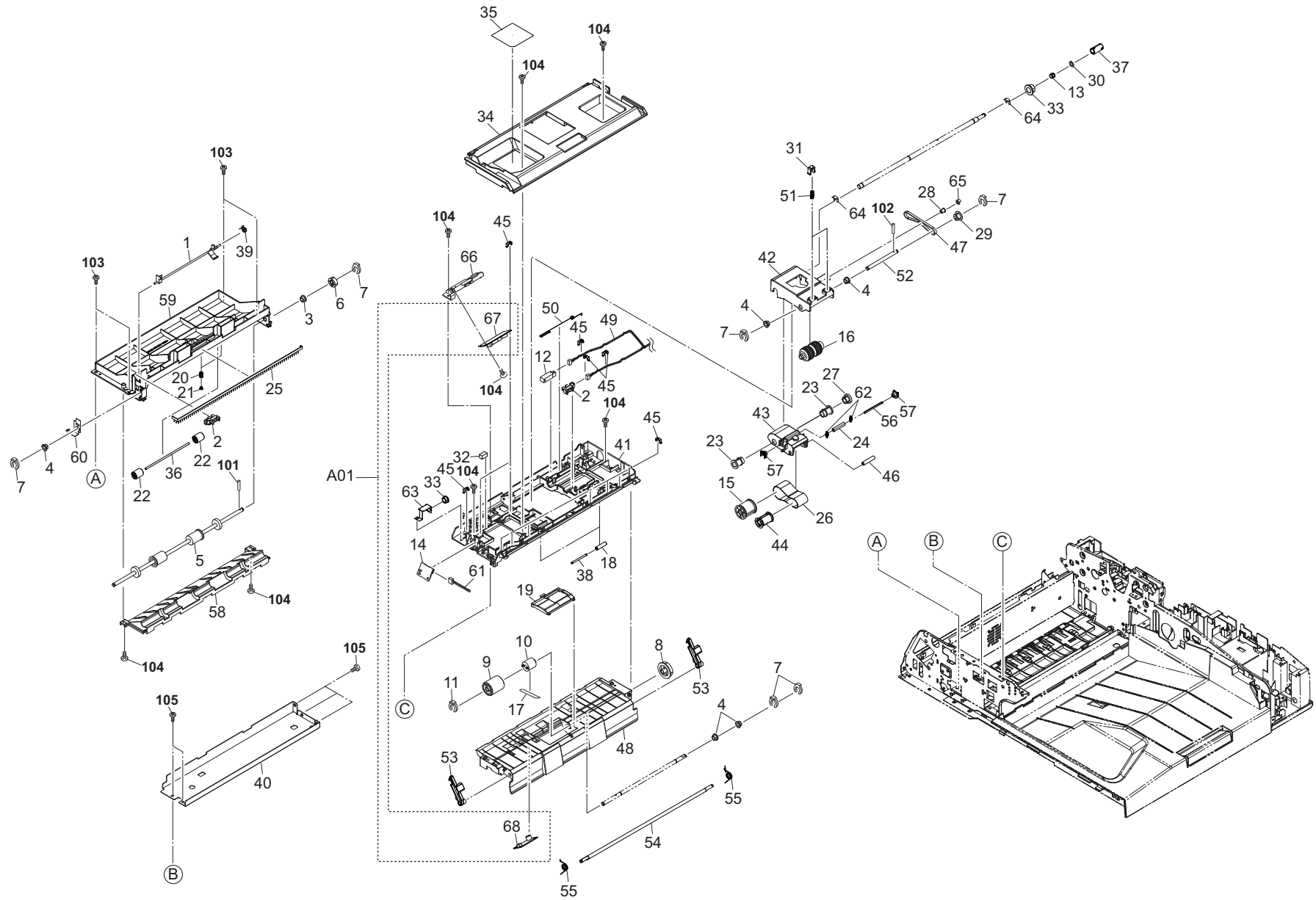


FIG. 41 Paper Feed Section 2(DP)

2LG/2LF-3

Ref. No.	Part.No.	Alternative.	Description	Notes	Quantity		
					120	230	240
1	303M429040	3M429040	ACTUATOR EJECT SW		1	1	1
2	303M894260	3M894260	PARTS SENSOR OPT SP		2	2	2
3	302H702590	2H702590	BUSH SCREW		1	1	1
4	302K324450	2K324450	BUSH 6		5	5	5
5	303M494110	3M494110	PARTS ROLLER EJECT SP		1	1	1
6	3H622020	3H622020	GEAR CIS ROLLER 20		1	1	1
7	5MVX111DN003	2A806250	RING STOPPER/A-49 FEED A4		6	6	6
8	303M407110	3M407110	GEAR Z33		1	1	1
9	303LL07190	3LL07190	PULLEY SEPARATION		1	1	1
10	303JX07400	3JX07400	TORQUE LIMITER FEED		1	1	1
11	5MVL177DN001	2FB06810	RING STOPPER 4		1	1	1
12	303NW94040	3NW94040	PARTS SENSOR OPT. SP		1	1	1
13	302K906180	2K906180	JOINT RETARD DRIVE		1	1	1
14	303M894100	3M894100	PARTS PWB LED ASSY SP		1	1	1
15	3H607030	3H607030	COLLAR PF A		1	1	1
16	303M407480	3M407480	PULLEY LF		1	1	1
17	303MW07060	3MW07060	FILM TORQUE LIMITER		1	1	1
18	303LL24190	3LL24190	PULLEY GUIDE READING		2	2	2
19	303M494200	3M494200	PARTS GUIDE SEPARATE ASSY SP		1	1	1
20	2C907360	2C907360	SPRING CURSOR R		2	2	2
21	2FM04150	5MVM163DN005	CAP SPRING /B-11 ENCLOSURE A4		2	2	2
22	302F929260	2F929260	PULLEY DU LOW		2	2	2
23	303H607131	3H607131	BUSHING PF HOLDER		2	2	2
24	303H607280	3H607280	PULLEY TENSION		1	1	1
25	303K502130	3K502130	STATIC ELIMINATOR EJECT		1	1	1
26	303LL07531	3LL07531	BELT PF		1	1	1
27	303M407080	3M407080	PULLEY 20		1	1	1
28	303M407200	3M407200	PULLEY HOLDER LF		1	1	1
29	303M407220	3M407220	PULLEY 20 LF		1	1	1
30	2BG22990	2BG22990	CUT WASHER 4		1	1	1
31	2FB07330	2FB07330	STOPPER BYPASS TABLE		2	2	2
32	303K502070	3K502070	SEAL WIRE		1	1	1
33	28107310	49028101	BUSH 8		2	2	2
34	303M407021	3M407021	COVER PF ROLLER		1	1	1
35	303M434050	3M434050	LABEL JAM		1	1	1
36	302K324460	2K324460	SHAFT FEED		1	1	1
37	302K906140	2K906140	COUPLING PRIMARY FEED DRIVE		1	1	1
38	303M824130	3M824130	SHAFT GUIDE READING		2	2	2
39	302K928190	2K928190	SPRING-TORSION SWITCHBACK		1	1	1
40	303M402070	3M402070	STAY LOOP UPPER		1	1	1
41	303M407011	3M407011	GUIDE UPPER		1	1	1
42	303M407030	3M407030	HOLDER LF		1	1	1
43	303M407040	3M407040	HOLDER PF		1	1	1
44	303M407050	3M407050	COLLAR PF B		1	1	1
45	302K931080	2K931080	WIRE STOPPER		12	12	12
46	303M407060	3M407060	SHAFT BELT		1	1	1
47	303M407090	3M407090	BELT 172 LF		1	1	1
48	303M407101	3M407101	GUIDE LOWER PF		1	1	1
49	303NW46010	3NW46010	WIRE FEED UNIT		1	1	1

Ref. No.	Part.No.	Alternative.	Description	Notes	Quantity		
					120	230	240
50	303M407150	3M407150	SPRING EARTH		1	1	1
51	303M407160	3M407160	SPRING HOLDER LF		2	2	2
52	303M407210	3M407210	SHAFT LF		1	1	1
53	303M407231	3M407231	HOOK COVER		2	2	2
54	303M407240	3M407240	SHAFT HOOK		1	1	1
55	303M407421	3M407421	SPRING HOOK FRONT		2	2	2
56	303M407440	3M407440	SHAFT PULLEY TENSION		1	1	1
57	303M407450	3M407450	SLIDER TENSION		2	2	2
58	303M424231	3M424231	GUIDE EJECT LOWER		1	1	1
59	303M429020	3M429020	GUIDE EJECT UPPER		1	1	1
60	303M429030	3M429030	PLATE EARTH EJECT		1	1	1
61	303M446070	3M446070	WIRE LED		1	1	1
62	303M407540	3M407540	SPRING BELT TENTION		2	2	2
63	303M407550	3M407550	PLATE EARTH SHAFT PF		1	1	1
64	5MVL177DN002	2FB06820	RING STOPPER 6		2	2	2
65	5MVX111DN007	2BT11070	STOPPER 3 /2BT1107 A4		1	1	1
66	303M407140	3M407140	MOUNT SENSOR RX		1	1	1
A01	303M494190	3M494190	PARTS PWB TX-RX SET SP		1	1	1
67	*303M494150	3M494150	PARTS PWB TX ASSY SP		1	1	1
68	*303M494160	3M494160	PARTS PWB RX ASSY SP		1	1	1
101	5MBP2010WXSP	E0020100	SPRING PIN / M2 X 10 S-BLK				
102	E0020080	48100208	SPRING PIN 2X8				
103	7BB100306H1	BB105820	+BIND T.T S SCREW 3X6				
104	7BB200308H	BB105660	+BIND T.T P SCREW 3X8				
105	7BB700308H	BB105600	+BIND T.T S SCREW 3X8 SR				

- Parts with "⊙" indicate regular maintenance parts.
- Parts with Ref.No. indicate maintenance parts and the ones without it indicate out of the above.

- Parts with "*" are component parts or sub-assemblies of the assembly appearing immediately above them.
- Parts with "••" are component parts or sub-assembly with "•" appearing immediately above them.

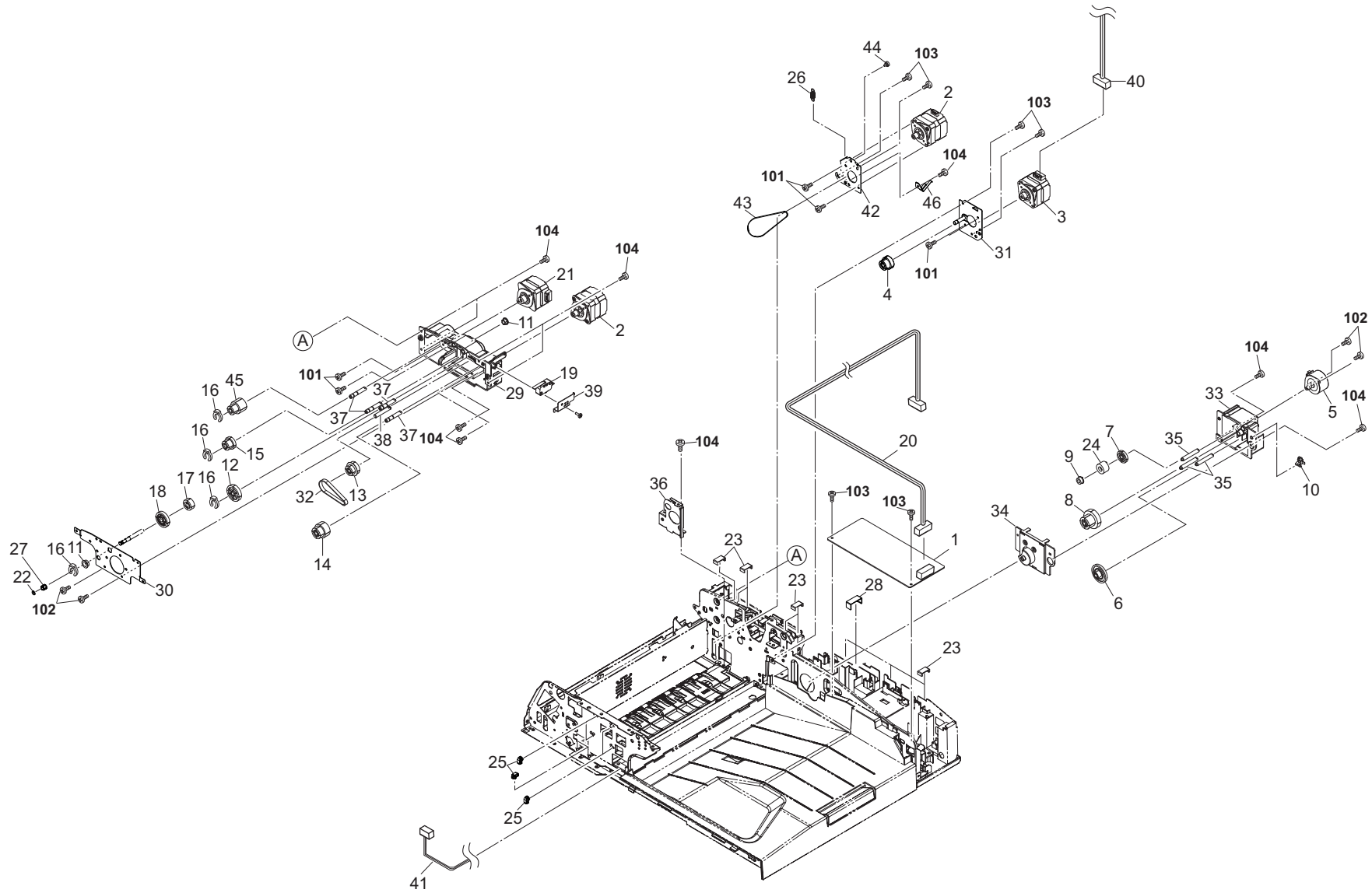


FIG. 42 Drive Section & Electrical Components(DP)

2LG/2LF-3

Ref. No.	Part.No.	Alternative.	Description	Notes	Quantity		
					120	230	240
⊙ 1	303M494020	3M494020	PARTS PWB DRIVER ASSY SP		1	1	1
⊙ 2	303M494040	3M494040	PARTS MOTOR CONVEYING SP		2	2	2
⊙ 3	302KY94070	2KY94070	PARTS MOTOR DU SP		1	1	1
⊙ 4	303M431440	3M431440	GEAR EXIT Z43 Z20		1	1	1
⊙ 5	302H794310	2H794310	PARTS MOTOR ROTARY GUIDE		1	1	1
⊙ 6	303H622331	3H622331	GEAR 20/65 IDLE		1	1	1
⊙ 7	303M494120	3M494120	GEAR 20/65 IDLE		1	1	1
⊙ 8	303M494130	3M494130	PARTS GEAR JOINT Z20 Z65 SP		1	1	1
⊙ 9	3H622160	3H622160	GEAR 20 JOINT		1	1	1
10	M21AH010	M21AH010	BAND,RSG-130-V0(KITAGAWA)		1	1	1
11	302K324450	2K324450	BUSH 6		2	2	2
⊙ 12	303M431050	3M431050	GEAR Z35		1	1	1
⊙ 13	303M431060	3M431060	GEAR Z20 P48		1	1	1
⊙ 14	303M431090	3M431090	GEAR Z30 Z23		1	1	1
⊙ 15	303M431400	3M431400	GEAR Z25 Z19		1	1	1
16	5MVX111DN003	2A806250	RING STOPPER /A-49 FEED A4		4	4	4
⊙ 17	303M431040	3M431040	GEAR Z22 ONEWAY		1	1	1
⊙ 18	3HK22040	3HK22040	GR 33 CONV		1	1	1
⊙ 19	2FB27160	2FB27160	INTER LOCK SWITCH		1	1	1
20	303M446010	3M446010	WIRE INTERFACE		1	1	1
⊙ 21	303M494181	3M494181	PARTS MOTOR REGISTRATION SP		1	1	1
22	2BG22990	2BG22990	CUT WASHER 4		1	1	1
23	303LL02330	3LL02330	HOLDER WIRE D		8	8	8
24	303M406160	3M406160	TORQUE-LIMITER 1000		1	1	1
25	7YZM610007++H01	YZ023340	ACCESS.SADDLE		6	6	6
26	2BC16470	2BC16470	SPRING,CONVEYING HOOK		1	1	1
27	302K906180	2K906180	JOINT RETARD DRIVE		1	1	1
28	303LL02180	3LL02180	HOLDER WIRE A		1	1	1
29	303M431012	3M431012	MOUNT PF DRIVE		1	1	1
30	303M431021	3M431021	PLATE PF DRIVE		1	1	1
31	303M431200	3M431200	MOUNT LOOP DRIVE		1	1	1
⊙ 32	303M431120	3M431120	BELT 146		1	1	1
33	303M431141	3M431141	MOUNT LIFT DRIVE		1	1	1
34	303M431150	3M431150	COVER LIFT DRIVE		1	1	1
35	303M431230	3M431230	PIN LIFT DRIVE A		3	3	3
36	303M431311	3M431311	MOUNT CONV MOTOR B		1	1	1
37	303M431360	3M431360	SHAFT PF DRIVE C		4	4	4
38	303M431390	3M431390	SHAFT PF DRIVE F		1	1	1
39	303M431410	3M431410	MOUNT INTERLOCK SW		1	1	1
40	303M446050	3M446050	WIRE MOTOR1		1	1	1
41	303M446080	3M446080	WIRE FRONT		1	1	1
42	303M431300	3M431300	MOUNT CONV MOTOR A		1	1	1
⊙ 43	303M431290	3M431290	BELT 60S1.5M161		1	1	1
44	3CZ02230	3CZ02230	PIN,HOOK FULCRUM		1	1	1
⊙ 45	303M431101	3M431101	GEAR Z43 Z22		1	1	1
46	303M431420	3M431420	PLATE EARTH CONV MOTOR		1	1	1

Ref. No.	Part.No.	Alternative.	Description	Notes	Quantity		
					120	230	240
101	7BB000306H	BB106880	+BIND M SCREW 3X6				
102	7BB200308H	BB105660	+BIND T.T P SCREW 3X8				
103	7BB606308H	BB105280	+PAN M SCREW WITH SW W 3X8 R				
104	7BB700308H	BB105600	+BIND T.T S SCREW 3X8 SR				

- Parts with "⊙" indicate regular maintenance parts.
- Parts with Ref.No. indicate maintenance parts and the ones without it indicate out of the above.

- Parts with "*" are component parts or sub-assemblies of the assembly appearing immediately above them.
- Parts with "• •" are component parts or sub-assembly with "•" appearing immediately above them.

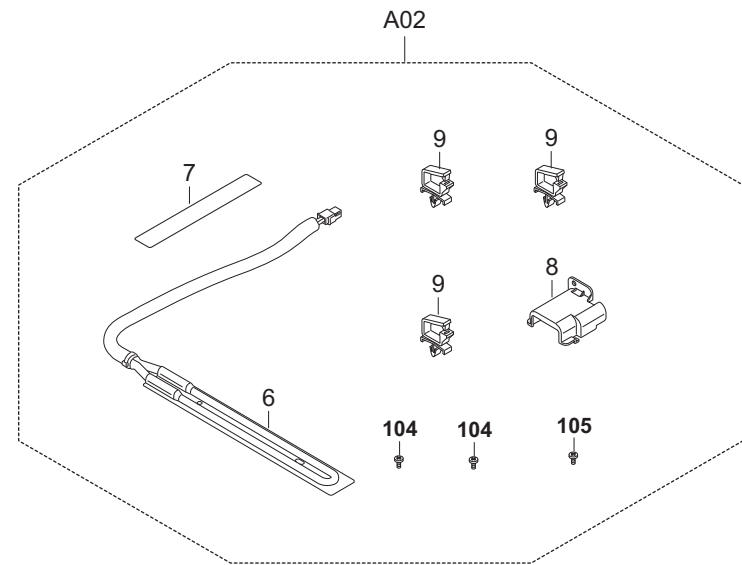
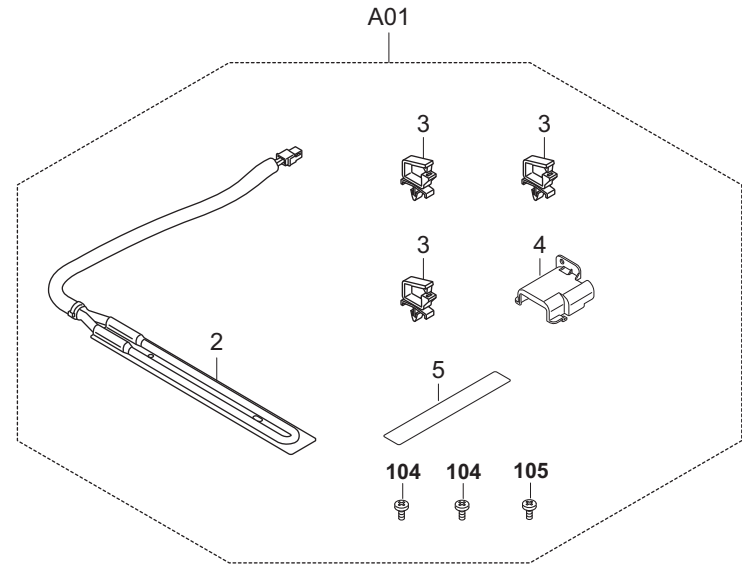
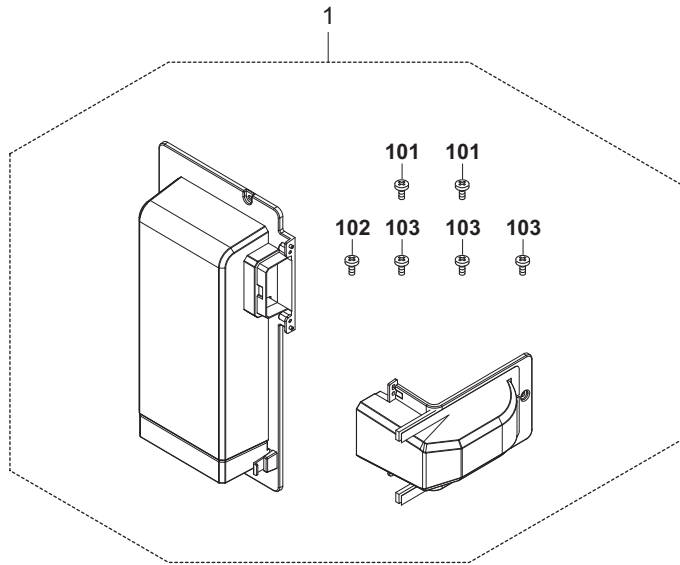


FIG. 43 Options 1

2LG/2LF-3

	Ref. No.	Part.No.	Alternative.	Description	Notes	Quantity		
						120	230	240
⊙	1	302K994960	2K994960	PARTS DUCT OPTION REAR SET SP		1	1	1
⊙	A01	302K994931	2K994931	PARTS DEHUMIDIFINR 120 SET SP		1		
⊙	A01	302K994941	2K994941	PARTS DEHUMIDIFINR 240 SET SP			1	1
⊙	2	*302H794620	2H794620	PARTS HEATER DEHUMIDIFIER 120		1		
⊙	2	*302H794610	2H794610	PARTS HEATER DEHUMIDIFIER 240			1	1
	3	*7YZM610001++H01	YZ010230	ACCESS SADDLE		3	3	3
	4	*303NF04140	3NF04140	COVER CONNECTOR HEATER		1	1	1
	5	*302KP34220	2KP34220	LABEL HIGH TEMPERATURE CAUTION		1	1	1
⊙	A02	303NF94130	3NF94130	PARTS DEHUMIDIFINR 120 SET SP	for Deck	1		
⊙	A02	303NF94140	3NF94140	PARTS DEHUMIDIFINR 240 SET SP	for Deck		1	1
⊙	6	*302H794620	2H794620	PARTS HEATER DEHUMIDIFIER 120		1		
⊙	6	*302H794610	2H794610	PARTS HEATER DEHUMIDIFIER 240			1	1
	7	*302KP34220	2KP34220	LABEL HIGH TEMPERATURE CAUTION		1	1	1
	8	*303NF04140	3NF04140	COVER CONNECTOR HEATER		1	1	1
	9	*7YZM610001++H01	YZ010230	ACCESS SADDLE		3	3	3

	Ref. No.	Part.No.	Alternative.	Description	Notes	Quantity		
						120	230	240
	101	7BB200308H	BB105660	+BIND T.T P SCREW 3X8				
	102	7BB282308H	BB111240	+TP-FLAT T.T P SCREW 3X8(BLACK)				
	103	7BB782308H	BB111300	+TP-FLAT T.T S SCREW 3X8 SR(BLACK)				
	104	7BB700308H	BB105600	+BIND T.T S SCREW 3X8 SR				
	105	7BB700408H	BB105640	+BIND T.T S SCREW 4X8 SR				

- Parts with "⊙" indicate regular maintenance parts.
- Parts with Ref.No. indicate maintenance parts and the ones without it indicate out of the above.

- Parts with "*" are component parts or sub-assemblies of the assembly appearing immediately above them.
- Parts with "•" are component parts or sub-assembly with "•" appearing immediately above them.

Key Counter

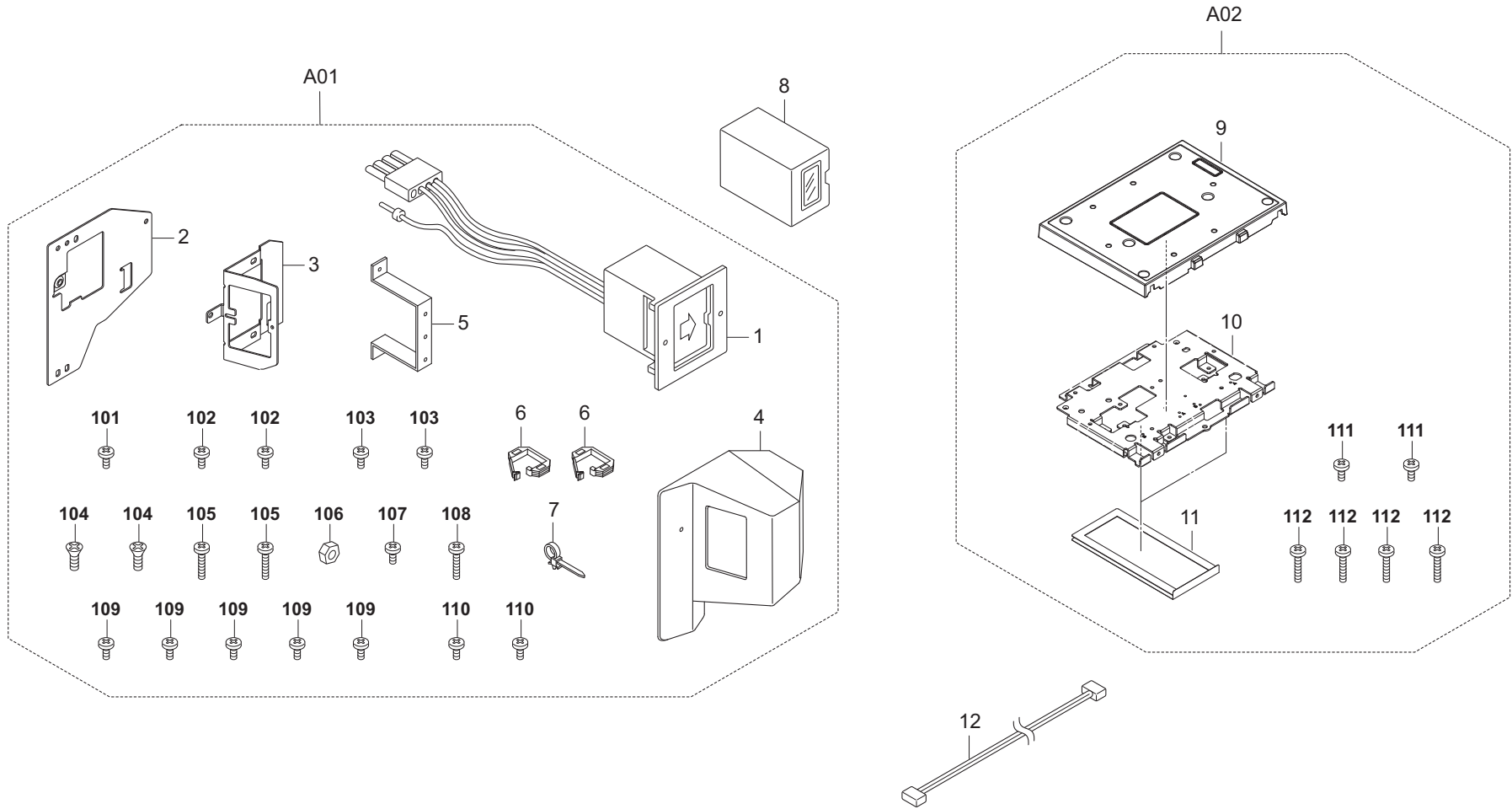


FIG. 44 Options 2

2LG/2LF-3

Ref. No.	Part.No.	Alternative.	Description	Notes	Quantity		
					120	230	240
⊙ A01	302A369709	2A369709	SET PARTS KEYCOUNTER NEW COLOR		1	1	1
1	*3029236241	29236241	SOCKET ASS'Y,KEY COUNTER		1	1	1
2	*302GR03010	2GR03010	RETAINER KEY COUNTER COVER		1	1	1
3	*302GR03020	2GR03020	RETAINER KEY COUNTER		1	1	1
4	*3066060011	66060011	COVER,KEY COUNTER		1	1	1
5	*3066060041	66060041	MOUNT,KEY COUNTER		1	1	1
6	*7YZM210006+++H01	YZ038000	ACCESS.EDGING		2	2	2
7	*M21AH010	M21AH010	BAND,RSG-130-V0(KITAGAWA)		1	1	1
8	3025418011	25418011	KEY COUNTER		1	1	1
⊙ A02	302LF94290	2LF94290	PARTS MOUNT TRAY SET SP		1	1	1
9	*302LC04600	2LC04600	COVER TRAY		1	1	1
10	*302LC04620	2LC04620	MOUNT TRAY		1	1	1
11	*302K904590	2K904590	FILM TRAY		1	1	1
12	302K946AJ0	2K946AJ0	WIRE KEY COUNTER		1	1	1

Ref. No.	Part.No.	Alternative.	Description	Notes	Quantity		
					120	230	240
101	5MBTPB3008PW++R	B1A63080	BIND T.T SCREW(+) / M3 X 8 CRFREE P-T				
102	5MBTPB4010PW++R	B1A64100	BIND T.T SCREW(+) / M4 X 10 CRFREE P-T				
103	5MBTPB4010TW++R	B1A54100	BIND T.T SCREW(+) / M4 X 10 CRFREE S-T				
104	7BB003306H	BB040750	+COUNTER-SUNK HEAD SCREW M3X6 CRFREE				
105	7BB100420H	BB040740	+BIND TAP-TITE S SCREW M4X20 CRFREE				
106	7BC1003055+++H01	BC018230	HEXA NUT M3				
107	B1B03080	B1B03080	+BIND SCREW M3X08				
108	B1B54300	B1B54300	+BIND TAP-TITE S SCREW M4X30 TRIVALENT C				
109	B4A04060	B4A04060	+TP-A SCREW M4X06 (TRIVALENT CHROMATING)				
110	B4A04100	B4A04100	+TP-A SCREW M4X10 (TRIVALENT CHROMATING)				
111	7BB700408H	BB105640	+BIND T.T S SCREW 4X8 SR				
112	7BB700420H	BB112510	+BIND T.T S SCREW 4X20 SR				

- Parts with "⊙" indicate regular maintenance parts.
- Parts with Ref.No. indicate maintenance parts and the ones without it indicate out of the above.

- Parts with "*" are component parts or sub-assemblies of the assembly appearing immediately above them.
- Parts with "••" are component parts or sub-assembly with "•" appearing immediately above them.

INDEX

2LG/2LF-4

	Part.No.	Alternative.	Description	Fig.No.
	28107310	49028101	BUSH 8	8,9,10,15,16,39
⊙	28801190	48928800	PULLEY,TIMING BELT	,41
	29812291	29812291	CUSHION,CONTACT GLASS	39
	33907210	33907210	CUSHION,CASSETTE WORK PLATE	14
	63212210	63212210	STATIC ELIMINATOR,EJECT	5
	63213320	63213320	CUSHION,ORIGINAL COLLECTION	28,31
⊙	65815060	65815060	IDLE GEAR 40,TONER SUPPLY	9
⊙	66127010	66127010	SWITCH,COVER OPEN	18
	75712080	75712080	MIRROR HOLDER	16
	3019527401	19527401	POWER CORD(120)	19
⊙	3025418011	25418011	KEY COUNTER	32
	3029236241	29236241	SOCKET ASS'Y,KEY COUNTER	44
⊙	3033915181	33915181	TONER EMPTY DETECTION SENSOR	44
	3066060011	66060011	COVER,KEY COUNTER	44
	3066060041	66060041	MOUNT,KEY COUNTER	44
	1702LF0UN0	072LF0UN	MK-6705A/MAINTENANCE KIT	45
	1702LF7US1	072LF7U1	MK-6705C A/MAINTENANCE KIT	45
	1702LF8KL1	072LF8K1	MK-6705C A/MAINTENANCE KIT	45
	1902K90UN0	092K90UN	WT-861/WASTE TONER BOTTLE	22
	2A116180	2A116180	BUSHING,TRANSFER	21,22,24
	2A118370	2A118370	PULLEY,DRUM SEPARATION	20
	2AR07220	2AR07220	PULLEY,PAPER FEED	17
	2AR07230	2AR07230	PULLEY,SEPARATION	17
	2AR27800	2AR27800	POWER CORD(230)	32
	2AV12280	2AV12280	BASE RUBBER,SCANNER SECTION	4
	2BC06520	2BC06520	BUSHING 6,REGISTRATION	25
	2BC06910	2BC06910	STOPPER 6	9,10,15,16,19, 21,38,39
	2BC06980	2BC06980	STOPPER 5	8,19,20
⊙	2BC07020	2BC07020	FRONT PULLEY,LIFT DRIVE	8
	2BC07110	2BC07110	GEAR 20	8
	2BC07120	2BC07120	SPACER,DECK LIFT	8
	2BC12190	2BC12190	SPRING,MIRROR HOLDER	19
	2BC16470	2BC16470	SPRING,CONVEYING HOOK	42
	2BG06480	2BG06480	BAND B	15
⊙	2BG22990	2BG22990	CUT WASHER 4	25,29,41,42
	2BL06170	2BL06170	GEAR Z42 FEED	40
	2BL06890	2BL06890	PLATE BYPASS HOLD	1
	2BL07950	2BL07950	UNDER CLEANER REGIST	16
	2BL16220	5AAVBRUSH036	BRUSH CLEANER	1
	2BL21340	2BL21340	SPRING CHANGE PULLEY	3
	2C902080	2C902080	SPRING DEV PUSH	13
	2C907360	2C907360	SPRING CURSOR R	41
	2C912150	2C912150	RETAINER WIRE	19
	2C912430	2C912430	LID KMAS	3
⊙	2C912690	2C912690	GROUND PLATE SCANNER B	31
	2CK17050	2CK17050	GEAR IDLE Z14S	40
	2DC12170	2DC12170	SPRING TENSION	15
	2DC12230	2DC12230	SLIDER SCANNER	19

	Part.No.	Alternative.	Description	Fig.No.
	2FB04270	2FB04270	PLATE MAGNET	1
	2FB06710	2FB06710	PIN CASSETTE RAIL	20
	2FB07330	2FB07330	STOPPER BYPASS TABLE	18,28,41
	2FB16270	2FB16270	PIN DRAWER A	4
	2FB17200	2FB17200	MAGNET UPPER REG GUIDE	29
⊙	2FB27160	2FB27160	INTER LOCK SWITCH	32,42
⊙	2FG27110	2FG27110	SWITCH REGISTRATION	15
	2FM02210	5MVM274DN002	PULLEY MID /B-11 FRAMEA4	27
	2FM04150	5MVM163DN005	CAP SPRING /B-11 ENCLOSURE A4	9,10,11,14,15, 16,17,27,29,31, 41
	302A002171	2A002171	CASTER UA	7
⊙	302A369709	2A369709	SET PARTS KEYCOUNTER NEW COLOR	44
	302BG22531	2BG22531	SPRING COUPLING DLP	20
⊙	302BM07410	2BM07410	GEAR GUIDE SIDE	5
	302C912291	2C912291	SPRING SCANNER TENSION	19
	302F325010	2F325010	STUD SCREW M3	28
	302F708310	2F708310	SPRING LOCK MPF	10,14
	302F902180	2F902180	SPRING LEVER EF	16
	302F902450	2F902450	SHEET WIRE	35
⊙	302F906030	2F906030	GEAR FEED Z26H	9,11,14,17
	302F909210	2F909210	PAD BOTTOM	18
	302F924380	2F924380	SPRING RELEASE FUSER R	29
	302F925160	2F925160	PULLEY FACE UP	17
	302F925780	2F925780	SPRING DU	9,11,16
	302F928170	2F928170	SPRING PULLEY	27,29,31
	302F929260	2F929260	PULLEY DU LOW	9,11,14,16,27, 29,31,41
	302FB06151	2FB06151	JOINT DRIVE	17
	302FB09320	2FB09320	GROUND PLATE DECK UNIT	30
	302FB09830	2FB09830	CUT WASHER 4	5,9,11,14,15,18, 22,25,29,40
⊙	302FB16320	2FB16320	PIN ROLLER RELEASE LEVER	4
	302FB25330	2FB25330	FAN 80 FRONT COOLING	26
	302FB26290	2FB26290	LID VENDOR	33
	302FG07020	2FG07020	PULLEY,CASSETTE RAIL	7
	302FZ01310	2FZ01310	VARIATOR TC ASS'Y	16
	302FZ02580	2FZ02580	CAP HANDLE	4
	302FZ02600	2FZ02600	FOOT	6
	302FZ03110	2FZ03110	SEAL HANDLE	4
	302FZ07020	2FZ07020	PULLEY MPT BYPASS	16,28
	302FZ07150	2FZ07150	PULLEY TENSION BELT	31
	302FZ07310	2FZ07310	BUSH CONTACT MPT B	29
	302FZ07540	2FZ07540	HOLDER SHAFT OUT	29
⊙	302FZ08370	2FZ08370	GEAR JOINT MPT UNIT	40
	302FZ09050	2FZ09050	SLIDER CASSETTE	7
	302FZ14740	2FZ14740	TAPE SEPARATER DLP	2
	302FZ20021	2FZ20021	SPRING LID	6,15
	302FZ21720	2FZ21720	POLYSLIDER CUT WASHER 4	16
	302FZ22870	2FZ22870	SPRING ACTUATOR BYPASS	17

• Parts with "⊙" indicate regular maintenance parts.

Part.No.	Alternative.	Description	Fig.No.
302FZ23260	2FZ23260	CAP SCREW	21
302FZ28260	2FZ28260	EXIT PUSH	31
302FZ28270	2FZ28270	SPRING EXIT PUSH	28,31
302FZ29131	2FZ29131	SPRING DU	5
302FZ31250	2FZ31250	COUPLING DLP DRIVE	20
302FZ31280	2FZ31280	COLLAR DLP COUPLING	20
302FZ33170	2FZ33170	SEAL BRACKET FAN A	26
302FZ94380	2FZ94380	PARTS,FAN COOLING DLP 70 SP	26
302FZ94420	2FZ94420	PARTS,FAN COOLING CONVEYING SP	16
302FZ94660	2FZ94660	PARTS,FAN IMAGE SP	26
302G404160	2G404160	DAMPER	8
302G634070	2G634070	LABEL ENERGY STAR	2
302GR03010	2GR03010	RETAINER KEY COUNTER COVER	44
302GR03020	2GR03020	RETAINER KEY COUNTER	44
302GR04370	2GR04370	MAGNET CLIP DISH	2
302GR04380	2GR04380	SEAL MAGNET	2
302GR09991	2GR09991	LIFT LOCK	5,8
302GR17180	2GR17180	PIN SCANNER RETAINING	19
302GR17280	2GR17280	MIRROR B	19
302GR17350	2GR17350	PIN WIRE PULLEY B	19
302GR17380	2GR17380	SPRING RELEASE SWITCH	19
302GR17860	2GR17860	PLATE PULLEY	19
302GR17960	2GR17960	MIRROR C	19
302GR17970	2GR17970	STOPPER PI	9
302GR25241	2GR25241	PIN GUIDE CHUTE	5
302GR44080	2GR44080	FAN LSU 60-25	26
302H002290	2H002290	FILM PROTECT A	33,34
302H006120	2H006120	GEAR Z20S JOINT FEED B	25,27
302H008140	2H008140	SPRING BYPASSFFED	39
302H017180	2H017180	PULLEY SCANNER	19
302H017310	2H017310	GROUND SCANNER REAR	4
302H017380	2H017380	GROUND BASE SCANNER	4
302H024830	2H024830	BUSH 8	20
302H029110	2H029110	PULLEY 26 DU	16
302H044110	2H044110	SENSOR ORIGINAL	19
302H044120	2H044120	FAN COOLING 40-15	39
302H094300	2H094300	PARTS,HUMIDITY SENSOR,SP	1
302H702540	2H702540	FILM WIRE OPE	38
302H702590	2H702590	BUSH SCREW	12,15,17,20,22,25,29,41
302H703100	2H703100	SHUTTER PIPE UP	20
302H703130	2H703130	SEAL PIPE DLP UP	20
302H703140	2H703140	SPRING PIPE LOW	21
302H703240	2H703240	SPRING PIPE UP	20
302H703430	2H703430	SEAL SCREW	22
302H703542	2H703542	PIPE DLP UP	20
302H703570	2H703570	SEAL CONT SHUTTER	20
302H703740	2H703740	SEAL PIPE WASTE B	22
302H708150	2H708150	SPONGE WIRE MPT	9,11,14,18
302H712650	2H712650	SPRING DRUM JOINT	18,25,38

Part.No.	Alternative.	Description	Fig.No.
302H717160	2H717160	PULLEY SCANNER	19
302H717250	2H717250	DRUM PULLEY	19
302H717381	2H717381	WIRE SCANNER FRONT	19
302H717391	2H717391	WIRE SCANNER REAR	19
302H717440	2H717440	SEAL FRAME SIDE B	19
302H722760	2H722760	PULLEY MIDDLE A	10,15,16,17
302H722870	2H722870	FILTER DU	2
302H728080	2H728080	GEAR Z23S EXIT	27
302H728100	2H728100	SPRING EXIT PULLEY	5
302H729120	2H729120	SPRING ACT DU	9,10,13,16
302H731640	2H731640	COUPLING CONT D	25
302H731650	2H731650	SPRING PADDLE CONT D	24,25
302H733430	2H733430	SCREW FAN	21,26
302H794310	2H794310	PARTS MOTOR ROTARY GUIDE	42
302H794490	2H794490	PARTS FAN COOLING CONV	39
302H794610	2H794610	PARTS HEATER DEHUMIDIFIER 240	43
302H794620	2H794620	PARTS HEATER DEHUMIDIFIER 120	43
302HG02450	2HG02450	SEAL FRAME MIDDLE A	26
302HG12310	2HG12310	CUT WASHER 4	16
302HNO2970	2HNO2970	FELT CLEANER ID	16
302HN04250	2HN04250	SPRING SIDE COVER	39
302HN28120	2HN28120	SPRING PULLEY A	27
302HN44010	2HN44010	FAN MOTOR	26
302JF22010	2JF22010	PULLEY MIDDLE	27,31
302JZ31170	2JZ31170	GEAR Z27L MAIN	12,25
302K094240	2K094240	PARTS LVU MAIN 100 SP	13
302K094250	2K094250	PARTS LVU MAIN 200 SP	13
302K309300	2K309300	SPRING CASSETTE LIFT EARTH	5
302K309370	2K309370	SPRING CURSOR SET	39
302K317061	2K317061	FRAME MIRROR A	19
302K317160	2K317160	GUIDE FFC LED B	19
302K317172	2K317172	GUIDE FFC LED C	19
302K317310	2K317310	GUIDE FFC LED D	19
302K317330	2K317330	MOUNT PI	19
302K317450	2K317450	SEAL FRAME ISU A	19
302K317460	2K317460	SEAL FRAME ISU B	19
302K317650	2K317650	SEAL FRAME ISU C	19
302K317660	2K317660	FILM FRAME	19
302K317791	2K317791	SHEET FFC LED	19
302K317830	2K317830	PLATE ADJUST B	19
302K324450	2K324450	BUSH 6	9,11,14,15,27,28,29,40,41,42,16,17,27,29,31,41
302K324460	2K324460	SHAFT FEED	41
302K339050	2K339050	PLATE OPTION	33
302K394070	2K394070	PARTS PWB RFID ASSY SP	25
302K394190	2K394190	PARTS MOTOR LIFT ASSY SP	32
302K902131	2K902131	RAIL CASSETTE LEFT	4
302K902150	2K902150	FRAME FRONT FUSER A	4
302K902161	2K902161	FRAME FRONT FUSER B	4

• Parts with "⊙" indicate regular maintenance parts.

Part.No.	Alternative.	Description	Fig.No.
302K902170	2K902170	FRAME FUSER UNIT	4
302K902220	2K902220	STAY UPPER TOP RIGHT	4
302K902230	2K902230	STAY UPPER TOP LEFT	4
302K902250	2K902250	PLATE MOUNT DP	4
302K902260	2K902260	MOUNT FUSER ADJUST	4
302K902270	2K902270	PLATE FUSER ADJUST	4
302K902571	2K902571	FILM BASE CASSETTE	4
302K902610	2K902610	PLATE DC MOTOR 10	25
302K902850	2K902850	RAIL EXIT REAR	4
302K902920	2K902920	REINFORCEMENT UPPER REAR	4
302K902940	2K902940	NUT ADJUST M	4
302K902950	2K902950	ADJUSTER SCANNER	4
302K902960	2K902960	MOUNT RUBBER SCANNER	4
302K902980	2K902980	SHEET HUMIDITY SENSOR	1
302K902990	2K902990	SHEET COVER PWB FEED	4
302K903081	2K903081	LEVER WASTE BOTTLE	3
302K903130	2K903130	GEAR Z35S	22,25
302K903140	2K903140	GEAR Z18S	22,25
302K903180	2K903180	GEAR IDLE Z20S-Z15R	22
302K903200	2K903200	SHAFT DRIVE B	22
302K903240	2K903240	GEAR Z36S-Z15R	22
302K903250	2K903250	SPONGE FAN	21
302K903860	2K903860	SEAL COOLING FAN A	21
302K903870	2K903870	SEAL COOLING FAN B	21
302K904010	2K904010	COVER FRONT UPPER	1
302K904020	2K904020	COVER FRONT MIDDLE	1
302K904031	2K904031	COVER FRONT TOP	2
302K904040	2K904040	COVER WASTE BOTTLE	1
302K904050	2K904050	COVER ISU LEFT INNER	2
302K904071	2K904071	COVER LEFT LOWER	1
302K904080	2K904080	COVER RIGHT UPPER	3
302K904090	2K904090	COVER RIGHT LOWER F	1
302K904101	2K904101	COVER RIGHT LOWER R	1
302K904110	2K904110	COVER ISU FRONT	19
302K904120	2K904120	COVER ISU REAR	2
302K904130	2K904130	COVER DECK REAR	6
302K904140	2K904140	COVER CONTROLLER	2
302K904150	2K904150	LID CONTROLLER	2
302K904161	2K904161	COVER RIGHT LOWER M	6
302K904170	2K904170	DUCT FRONT COVER	1
302K904180	2K904180	COVER CASSETTE	5
302K904190	2K904190	HANDLE CASSETTE	5
302K904200	2K904200	EMBLEM CASSETTE	5
302K904210	2K904210	HOLDER CLIP A	3
302K904220	2K904220	HOLDER CLIP B	3
302K904240	2K904240	COVER INNER FEED F	1
302K904250	2K904250	COVER INNER CASSETTE L	1
302K904261	2K904261	COVER INNER CASSETTE R	1
302K904270	2K904270	COVER DECK RIGHT	8
302K904280	2K904280	HANDLE DECK RIGHT	8

Part.No.	Alternative.	Description	Fig.No.
302K904290	2K904290	EMBLEM DECK RIGHT	8
302K904300	2K904300	COVER DECK LEFT	8
302K904310	2K904310	HANDLE DECK LEFT	8
302K904320	2K904320	STOPPER CONTAINER	1
302K904330	2K904330	LEVER FRONT MIDDLE COVER	1
302K904340	2K904340	MOUNT WASTE BOTTLE COVER	2
302K904360	2K904360	MOUNT TABLE GLASS	2
302K904390	2K904390	LID RIGHT COVER	1
302K904400	2K904400	COVER OPERATION MOUNT A	35
302K904410	2K904410	COVER OPERATION MOUNT B	35
302K904490	2K904490	CASE WASTE BOTTLE	2
302K904510	2K904510	PLATE FRONT COVER	1
302K904520	2K904520	COVER GLASS TABLE	2
302K904550	2K904550	EMBLEM DECK LEFT	8
302K904560	2K904560	STRAP FRONT COVER	1
302K904571	2K904571	COVER OPERATION MOUNT C	2
302K904590	2K904590	FILM TRAY	44
302K904620	2K904620	MAGNET CATCH	1,3
302K904650	2K904650	LEVER BOTTLE COVER	1
302K905010	2K905010	COVER OPERATION A	34
302K905020	2K905020	COVER OPERATION B	34
302K905030	2K905030	LID OPERATION REAR	34
302K905040	2K905040	MOUNT MAIN PWB	34
302K905050	2K905050	MOUNT LCD A	34
302K905060	2K905060	MOUNT LCD B	34
302K905070	2K905070	COVER UPPER LED	34
302K905080	2K905080	HOLDER LED	34
302K905090	2K905090	LID LED	34
302K905100	2K905100	COVER OPERATION ARM A	35
302K905110	2K905110	COVER OPERATION ARM B	35
302K905120	2K905120	COVER OPERATION HINGE A	35
302K905130	2K905130	COVER OPERATION HINGE B	35
302K905140	2K905140	LID OPERATION HINGE A	35
302K905150	2K905150	LID OPERATION HINGE B	35
302K905161	2K905161	COVER HINGE FULCRUM A	35
302K905170	2K905170	COVER HINGE FULCRUM B	35
302K905500	2K905500	HINGE OPERATION ARM	35
302K905530	2K905530	RETAINER OPERATION ARM	4
302K905540	2K905540	GUIDE WIRE OPERATION A	35
302K905550	2K905550	GUIDE WIRE OPERATION B	35
302K905590	2K905590	MOUNT OPERATION ARM	35
302K905610	2K905610	LABEL LED EN	34
302K905641	2K905641	GUIDE OPERATION MOUNT	35
302K905650	2K905650	LABEL LED SET A	34
302K905900	2K905900	SPRING USB HOLD	34
302K906020	2K906020	PLATE FRAME UPPER	14
302K906031	2K906031	PLATE FRAME LOWER	14
302K906051	2K906051	GUIDE PRIMARY FEED	14
302K906060	2K906060	SHAFT PICKUP PRIMARY	9,11,14
302K906070	2K906070	SHAFT FEED PRIMARY	14

• Parts with "⊙" indicate regular maintenance parts.

	Part.No.	Alternative.	Description	Fig.No.
	302K906080	2K906080	PIN PICK UP IDLE	9,11,14
	302K906090	2K906090	HOLDER PICKUP	9,11,14
	302K906100	2K906100	MOUNT PRIMARY FEED	9,11,14
	302K906110	2K906110	PLATE PRIMARY FEED DRIVE	9,11,14
	302K906121	2K906121	SHAFT RETARD DRIVE	14
	302K906130	2K906130	SHAFT RETARD	14
	302K906140	2K906140	COUPLING PRIMARY FEED DRIVE	9,11,14,17,41
	302K906150	2K906150	HOLDER RETARD	9,11,14
	302K906160	2K906160	LEVER RETARD RELEASE	9,11,14
	302K906180	2K906180	JOINT RETARD DRIVE	9,11,14,17,41,42
⊙	302K906200	2K906200	GEAR Z30R PICKUP	9,11,14
	302K906210	2K906210	LEVER PICK RELEASE	9,11,14
⊙	302K906220	2K906220	GEAR FEED DRIVE Z22L	9,11,14
⊙	302K906230	2K906230	GEAR PRIMARY FEED IDLE Z20R Z16L	9,11,14
⊙	302K906240	2K906240	GEAR FEED DRIVE Z20L	9,11,14
	302K906250	2K906250	GUIDE PRIM FEED WIRE	9,11,14
	302K906260	2K906260	SPRING PICK UP	9,11,14
	302K906270	2K906270	MOUNT PRIMARY FEED R	9,11,14
	302K906280	2K906280	HOLDER PRIM FEED PULLEY	9,11,14
	302K906290	2K906290	HOLDER SENSOR FEED	9,11,14
	302K906300	2K906300	PLATE RETARD HOLDER	9,11,14
	302K906310	2K906310	PIN PICK RELEASE	9,11,14
	302K906321	2K906321	ACTUATOR PAPER EMPTY	9,11,14
	302K906330	2K906330	FULCRUM-PIN RETARD	9,11,14
	302K906350	2K906350	PULLEY FEED	9,11,14
	302K906360	2K906360	PULLEY RETARD	9,11,14
	302K906370	2K906370	PULLEY PICKUP	9,11,14
	302K906410	2K906410	SPRING RETARD B	9,11,14
	302K906500	2K906500	PLATE FEED LOW	15
	302K906510	2K906510	SHAFT FEED LOW	9,10,11,14,15
	302K906520	2K906520	SPRING FEED ACT	15
	302K906560	2K906560	ACTUATOR FEED LOW	15
⊙	302K906600	2K906600	COVER FEED LOW	15
	302K906610	2K906610	GUIDE FEED LOW	15
	302K906640	2K906640	HOLDER FEED LOW PULLEY	15
	302K906660	2K906660	HANDLE FEED LOW	6,15
	302K906670	2K906670	HOOK FEED LOW	6,15
	302K906681	2K906681	SHAFT FEED LOW HOOK	6,15
⊙	302K906690	2K906690	LID SIDE FEED	15
	302K906700	2K906700	HOLDER PULLEY	9,11,14
	302K906710	2K906710	SHAFT ASSIST PULLEY	9,11,14
	302K906721	2K906721	SHEET PRIMARY FEED HI	9,11,14
	302K906750	2K906750	TORQUE-LIMITER 390	14,17
	302K908011	2K908011	BASE MPF UPPER	17
	302K908021	2K908021	BASE MPF LOWER	17
	302K908030	2K908030	TRAY MPF A	18
	302K908040	2K908040	TRAY MPF B	18
	302K908050	2K908050	TRAY MPF C	18
	302K908060	2K908060	TRAY MPF D	18

	Part.No.	Alternative.	Description	Fig.No.
	302K908080	2K908080	BASE LIFT	18
	302K908090	2K908090	COVER CURSOR	18
	302K908100	2K908100	CURSOR MPF F	18
	302K908110	2K908110	CURSOR MPF R	18
	302K908120	2K908120	RACK CURSOR MPF	18
	302K908130	2K908130	ARM LIFT A	18
	302K908140	2K908140	ARM LIFT B	18
	302K908160	2K908160	GUIDE WIRE TRAY	18
	302K908190	2K908190	SHAFT LIFT MPF	18
	302K908200	2K908200	SPRING-COMPRESSION LIFT	18
	302K908211	2K908211	ACTUATOR SIZE DETECTION	18
	302K908220	2K908220	SPRING-TORSION SIZE DETECTION	18
	302K908230	2K908230	HOLDER FEED MPF	17
	302K908240	2K908240	HOLDER RETARD MPF	17
	302K908250	2K908250	HOLDER MIDDLE PULLEY	17
	302K908261	2K908261	CASE LIFT MOTOR A	17
	302K908270	2K908270	COVER CLUTCH	17
	302K908280	2K908280	ACTUATOR FEED MPF	17
	302K908290	2K908290	ACTUATOR PAPER SET	17
	302K908300	2K908300	SHAFT PICKUP MPF	17
	302K908310	2K908310	LEVER LIFT	17
	302K908320	2K908320	GUIDE DU LOWER	17
⊙	302K908350	2K908350	GEAR Z30R PICKUP	17
⊙	302K908360	2K908360	WORM-WHEEL 36 Z18S	17
⊙	302K908370	2K908370	GEAR Z46S-Z18S	17
⊙	302K908380	2K908380	GEAR LIFT Z64S	17
⊙	302K908390	2K908390	GEAR LIFT Z25S	17
⊙	302K908410	2K908410	GEAR RETARD MPF Z17L	17
⊙	302K908420	2K908420	GEAR RETARD MPF Z24L	17
	302K908440	2K908440	GUIDE MIDDLE MPF	17
	302K908450	2K908450	PIN RETARD MPF	17
	302K908460	2K908460	MOUNT PI	17
	302K908471	2K908471	SHAFT FEED MPF A	17
	302K908480	2K908480	SHAFT FEED MPF B	17
	302K908491	2K908491	SHAFT RETARD MPF A	17
	302K908501	2K908501	SHAFT RETARD MPF B	17
	302K908530	2K908530	SPRING PICKUP MPF	17
	302K908540	2K908540	SPRING RETARD MPF	17
	302K908570	2K908570	SPRING PAPER SET	17
	302K908580	2K908580	HOLDER SIZE DETECTION	18
	302K908590	2K908590	FILM MIDDLE GUIDE	17
	302K908610	2K908610	FILM RETARD	17
	302K908620	2K908620	DAMPER MPF A	17
	302K908630	2K908630	DAMPER MPF B	17
	302K908640	2K908640	SPRING DAMPER	17
	302K908650	2K908650	HOLDER MPF TABLE	18
	302K908660	2K908660	PLATE DC MOTOR 6	17,21
	302K908670	2K908670	SHEET MPF F	17
	302K908680	2K908680	SHEET MPF R	17
	302K908691	2K908691	FILM DU GUIDE B	17

• Parts with "⊙" indicate regular maintenance parts.

Part.No.	Alternative.	Description	Fig.No.
302K908700	2K908700	SPRING MIDDLE R	17
302K909012	2K909012	CASSETTE	5
302K909020	2K909020	RAIL CURSOR	5
302K909030	2K909030	CURSOR FRONT	5
302K909040	2K909040	CURSOR REAR	5
302K909050	2K909050	LEVER CURSOR	5
302K909060	2K909060	RACK CURSOR	5
302K909071	2K909071	CURSOR END	5
302K909090	2K909090	PLATE WORK	5
302K909100	2K909100	CAM CURSOR RAIL	5
302K909110	2K909110	PLATE TURN	5
302K909120	2K909120	LEVER CURSOR LOCK REAR	5
302K909130	2K909130	SHAFT CURSOR GEAR	5
302K909140	2K909140	CAP TURN PLATE	5
302K909151	2K909151	LOCK REAR CURSOR	5
302K909170	2K909170	PULLEY CASSETTE RAIL REAR	5
302K909190	2K909190	SHAFT WORK PLATE	5
302K909251	2K909251	LEVER SIDE SW	5
302K909260	2K909260	PAD BOTTOM	5
302K909270	2K909270	ACTUATOR PAPER LEVEL DETECTION	5
302K909510	2K909510	MOUNT PAPER LEVEL SENSOR	32
302K909520	2K909520	MOUNT SIZE SENSOR	32
302K909541	2K909541	HOLDER SIZE DETECTION	32
302K909580	2K909580	PIN PAPER SIZE A	32
302K909590	2K909590	PIN PAPER SIZE B	32
302K909600	2K909600	PIN PAPER SIZE C	32
302K909620	2K909620	PULLEY CASSETTE	4
302K909630	2K909630	SHAFT HOOK PULLEY	4
302K909640	2K909640	LEVER CASSETTE HOOK	4
302K909650	2K909650	SLIDER CASSETTE 500	4
302K914370	2K914370	SPRING SHUTTER	20
302K914A50	2K914A50	SEAL CASE DLP	35
302K915070	2K915070	SCREW TONER SUPPLY	21
⊙ 302K915080	2K915080	GEAR Z32L	21
302K915110	2K915110	PADDLE TONER SUPPLY A	21
302K915120	2K915120	PADDLE TONER SUPPLY B	21
⊙ 302K915160	2K915160	GEAR Z21S-Z15S	21
⊙ 302K915180	2K915180	GEAR Z30S	21
⊙ 302K915190	2K915190	GEAR Z48L	21
⊙ 302K915200	2K915200	GEAR Z21S	21
⊙ 302K915210	2K915210	GEAR Z32R-Z14S	21
302K915230	2K915230	SHUTTER HOPPER LOW	21
302K915240	2K915240	SHUTTER HOPPER UP	20
302K915320	2K915320	SEAL SHUTTER	20
302K915330	2K915330	SHAFT DRIVE	21
302K915360	2K915360	SPONGE HOPPER B	21
302K915370	2K915370	SEAL HOPPER UP	21
302K915380	2K915380	SEAL HOPPER LOW	21
302K915390	2K915390	SPRING TONER SENSOR A	21
⊙ 302K915400	2K915400	GEAR Z14S	21

Part.No.	Alternative.	Description	Fig.No.
302K915450	2K915450	BUSH SCREW	21
302K915460	2K915460	SHUTTER HOPPER UP	21
302K915470	2K915470	CAP TONER	21
302K917020	2K917020	PULLEY ISU Z59	19
302K917030	2K917030	MOUNT ISU DRIVE	19
302K917040	2K917040	BELT ISU	19
302K917060	2K917060	SHAFT ISU	19
302K917080	2K917080	PLATE SLIT PI	19
302K917091	2K917091	FRAME MIRROR B	19
302K917100	2K917100	SEAL FRAME ISU	18
302K917120	2K917120	SWITCH RELEASE	19
302K917130	2K917130	MOUNT RELEASE SWITCH	19
302K917150	2K917150	PULLEY LEFT FRAME	19
302K917170	2K917170	FILM FRAME SIDE F	19
302K917180	2K917180	FILM FRAME SIDE R	19
302K917230	2K917230	MOUNT PWB	19
302K917240	2K917240	CAP PULLEY ISU	19
302K917280	2K917280	MOUNT DP HINGE	19
302K917310	2K917310	SHEET ISU A	19
302K917320	2K917320	SHEET ISU B	19
302K917381	2K917381	GUIDE WIRE ISU	19
302K917400	2K917400	COVER ISU	19
302K921120	2K921120	STOPPER 8	15,24
302K921410	2K921410	MOUNT PI	21
302K921420	2K921420	CUT-WASHER 6	16
302K924011	2K924011	BASE CONVEYING	16
302K924040	2K924040	SPRING-COMPRESSION REGIST F	16
302K924050	2K924050	SPRING-COMPRESSION REGIST R	16
⊙ 302K924060	2K924060	GEAR Z22R	16
302K924100	2K924100	RETAINER LOOP SENSOR	16
302K924250	2K924250	PLATE EARTH REGIST	16
302K924290	2K924290	PLATE CONTACT HV	16
302K924300	2K924300	SLIDER CONVEYING	4
302K924311	2K924311	MOUNT SLIDER CONVEYING	4
302K924340	2K924340	MOUNT DRAWER A	33
302K924350	2K924350	PIN DRAWER	33
302K924360	2K924360	SPRING DRAWER	33
302K924380	2K924380	MOUNT DRAWER B	33
302K924390	2K924390	HOLDER DRAWER	16
302K924410	2K924410	FRAME DU	16
302K924450	2K924450	PIN HOOK	4
⊙ 302K924510	2K924510	GEAR Z24L	15
302K924530	2K924530	FRAME MIDDLE FEED	15
302K924541	2K924541	PLATE MIDDLE FEED	15
302K924560	2K924560	SHEET REGIST L A	15
302K924570	2K924570	PLATE EARTH MIDDLE	15
302K924580	2K924580	ACTUATOR LOOP	15
⊙ 302K924600	2K924600	GEAR Z20S	15
302K924620	2K924620	PLATE HV	15
⊙ 302K924630	2K924630	GEAR Z42R Z23S	15

• Parts with "⊙" indicate regular maintenance parts.

	Part.No.	Alternative.	Description	Fig.No.
⊙	302K924640	2K924640	GEAR Z19S IDLE	15
	302K924650	2K924650	PLATE MIDDLE MOUNT A	15
	302K924660	2K924660	BRACKET KEY MIDDLE A	15
⊙	302K924690	2K924690	GEAR Z27L Z24L	15
	302K924701	2K924701	SHAFT DRIVE MIDDLE	15
	302K924770	2K924770	SPRING HOLDER PULLEY	16,17
	302K924810	2K924810	PLATE EARTH RELEASE	16
	302K924820	2K924820	CUT-WASHER 4	9,11,12,14,16, 17,25,29
	302K924830	2K924830	BUSH DU EW	16
	302K924841	2K924841	MOUNT PI	16
	302K924850	2K924850	HOLDER EDGE SENSOR	15
	302K924861	2K924861	HOLDER SENSOR REGIST	15
	302K924870	2K924870	HOLDER SENSOR MIDDLE	15
	302K924881	2K924881	SHEET REGIST L C	15
	302K924890	2K924890	SHEET COVER SENSOR	15
	302K924901	2K924901	BUSH REGIST	16
	302K924920	2K924920	PLATE EARTH DU2	16
	302K928011	2K928011	FRAME EXIT LOWER	27
	302K928020	2K928020	FRAME EXIT UPPER	27
	302K928030	2K928030	GUIDE SHIFT UPPER	27
	302K928051	2K928051	GUIDE EXIT MIDDLE	27
	302K928070	2K928070	SPRING-EXTENSION FEED SHIFT	27
	302K928090	2K928090	ACTUATOR SWITCHBACK	27
⊙	302K928110	2K928110	GEAR Z40R-Z28S	27
	302K928121	2K928121	ACTUATOR EXIT SENSOR	27
	302K928131	2K928131	PLATE DRIVE FD	27
	302K928141	2K928141	COVER FRONT	27
	302K928170	2K928170	PLATE EARTH ROLLER	27
	302K928190	2K928190	SPRING-TORSION SWITCHBACK	16,27,29,31,41
	302K928200	2K928200	PLATE EARTH FD	27
	302K928213	2K928213	GUIDE CHANGE LOWER	27
	302K928230	2K928230	STAY EXIT HIGH	27
	302K928290	2K928290	SHEET EXIT MIDDLE A	27
	302K928300	2K928300	SHEET EXIT MIDDLE B	27
	302K929011	2K929011	FRAME CONVEYING F	16
	302K929020	2K929020	FRAME CONVEYING R	16
	302K929030	2K929030	PLATE CONVEYING UP	16
	302K929040	2K929040	PLATE CONVEYING LOW	16
	302K929051	2K929051	PLATE CONVEYING TOP	16
	302K929062	2K929062	MOUNT DU DRIVE	16
	302K929070	2K929070	COVER DU	17
	302K929080	2K929080	GUIDE COVER DU	17
	302K929090	2K929090	LEVER COVER RIGHT	16
	302K929100	2K929100	SHAFT CONVEYING HOOK UP	16
	302K929120	2K929120	HOOK CONVEYING UP	16
	302K929140	2K929140	HOOK CONVEYING LOW F	16
	302K929150	2K929150	HOOK CONVEYING LOW R	16
	302K929160	2K929160	CAM HOOK REAR	16
	302K929170	2K929170	CAM HOOK FRONT	16

	Part.No.	Alternative.	Description	Fig.No.
	302K929190	2K929190	SPRING HOOK UP	16
⊙	302K929201	2K929201	COVER RIGHT	3
⊙	302K929240	2K929240	GEAR Z30R-Z27L	16
	302K929310	2K929310	BELT S2M A145	16
	302K929330	2K929330	ACTUATOR DU	16
	302K929380	2K929380	LID FILTER DU	17
⊙	302K929390	2K929390	COVER RIGHT FRONT	2
	302K929400	2K929400	ARM HOOK F	16
	302K929410	2K929410	ARM HOOK R	16
	302K929431	2K929431	GUIDE DU UPPER A	16
	302K929440	2K929440	GUIDE DU LOWER A	16
	302K929470	2K929470	ACTUATOR DU A	16
	302K929490	2K929490	COVER RIGHT GUIDE	16
	302K929540	2K929540	COVER CLUTCH A	16
	302K929580	2K929580	GUIDE UNIT R	16
	302K929590	2K929590	COVER INNER CONVEYING B	3
	302K929600	2K929600	PLATE JOINT	16
	302K929610	2K929610	GUIDE GEAR	16
	302K929620	2K929620	PLATE DRAWER	16
	302K929630	2K929630	PIN CONVEYING F	16
	302K929640	2K929640	PIN CONVEYING R	16
	302K929660	2K929660	PLATE EARTH DU MIDDLE	16
⊙	302K929670	2K929670	COVER INNER CONVEYING F	2
	302K929680	2K929680	SPRING-COMPRESSION COVER DU	16
	302K929690	2K929690	PLATE EARTH DU	16
	302K929710	2K929710	COVER ARM	16
	302K929720	2K929720	MOUNT MOTOR DU MIDDLE	16
	302K929730	2K929730	MOUNT MOTOR DU UP	16
⊙	302K929740	2K929740	GEAR Z43R	16
	302K929750	2K929750	COVER WIRE	16
	302K929770	2K929770	SPRING DU	16
	302K929780	2K929780	SPRING-COMPRESSION DU UP	16
	302K929790	2K929790	FILM GUIDE DU A	16
	302K929800	2K929800	FILM GUIDE DU B	16
	302K931012	2K931012	HOLDER DRUM DRIVE	24
⊙	302K931021	2K931021	PLATE DRUM DRIVE	24
	302K931030	2K931030	GEAR Z160R	24
	302K931040	2K931040	SHAFT DRUM DRIVE	24
	302K931060	2K931060	HOLDER BEARING SUPPORT	24
	302K931070	2K931070	PLATE EARTH DRUM	24
	302K931080	2K931080	WIRE STOPPER	4,9,11,12,14,16, 17,19,26,28,30, 31,32,34,41
	302K931100	2K931100	PLATE MOTOR DRUM	24
	302K931130	2K931130	COUPLING DRUM	24
	302K931180	2K931180	SHAFT DLP DRIVE	20
⊙	302K931190	2K931190	GEAR Z74R	20
	302K931210	2K931210	HOLDER ATTACHMENT	33
	302K931411	2K931411	HOLDER FEED DRIVE	25
	302K931420	2K931420	PLATE FEED DRIVE	25

• Parts with "⊙" indicate regular maintenance parts.

	Part.No.	Alternative.	Description	Fig.No.
	302K931430	2K931430	SHAFT FEED DRIVE	25
	302K931441	2K931441	SHAFT MID DRIVE	25
	302K931450	2K931450	PIN FEED DRIVE	25
⊙	302K931470	2K931470	GEAR Z61R-Z34R	25
	302K931480	2K931480	SHAFT ASSIST DRIVE	25
⊙	302K931490	2K931490	GEAR Z28L	25
⊙	302K931500	2K931500	GEAR Z28R	25
⊙	302K931510	2K931510	GEAR Z35R	25
⊙	302K931520	2K931520	GEAR Z40L-Z34L	25
	302K931530	2K931530	COUPLING DRIVE	12,14,25
	302K931540	2K931540	PLATE EARTH FEED	25
⊙	302K931550	2K931550	GEAR Z27L	25
	302K931612	2K931612	PLATE FUSER DRIVE	24
⊙	302K931620	2K931620	GEAR Z90R JOINT	24
⊙	302K931630	2K931630	GEAR Z50S JOINT	24
	302K931640	2K931640	JOINT FUSER DRIVE	24
	302K931660	2K931660	SPRING JOINT	24
⊙	302K931670	2K931670	GEAR Z67S-Z25S	24
	302K931690	2K931690	LEVER RELEASE FUSER DRIVE	4
	302K931710	2K931710	HOLDER CONT DRIVE K	25
	302K931720	2K931720	PLATE CONT DRIVE	25
⊙	302K931760	2K931760	WORM WHEEL Z56L-Z20S	25
	302K931780	2K931780	SHAFT CONT DRIVE	25
⊙	302K931830	2K931830	GEAR Z34S JOINT	25
	302K931840	2K931840	CUT-WASHER 8X17	24
	302K931960	2K931960	HOLDER BEARING 688ZZ	19,39
	302K931980	2K931980	SPRING LEVER RELEASE	4
	302K933010	2K933010	DUCT FAN BELT RIGHT	26
	302K933040	2K933040	DUCT FAN BELT LEFT	26
	302K933140	2K933140	DUCT TONER SIDE	26
	302K933150	2K933150	DUCT EXIT RIGHT	26
	302K933160	2K933160	DUCT EXIT LEFT	26
	302K933181	2K933181	COVER FILTER EXIT	2
	302K933190	2K933190	DUCT FUSER REAR	26
	302K933241	2K933241	DUCT FUSER FRONT	26
	302K933250	2K933250	DUCT EXIT FRONT	26
	302K933280	2K933280	HOLDER FAN LOW VOLT	26
	302K933560	2K933560	DUCT FUSER RIGHT	26
	302K933571	2K933571	DUCT FUSER LEFT	26
	302K933580	2K933580	SEAL DUCT EXIT	26
	302K934010	2K934010	LABEL PAPER SIZE A	5
	302K934021	2K934021	LABEL PAPER SIZE B	5
	302K934030	2K934030	LABEL CASSETTE OPERATION	5
	302K934040	2K934040	LABEL SET PAPER	5
	302K934050	2K934050	LABEL CASSETTE NUMBER 1	5
	302K934060	2K934060	LABEL CASSETTE NUMBER 2	5
	302K934070	2K934070	LABEL CASSETTE NUMBER 3	8
	302K934080	2K934080	LABEL CASSETTE NUMBER 4	8
	302K934090	2K934090	LABEL CASSETTE PAPER MAX	5
	302K934100	2K934100	LABEL CASSETTE CURSOR LOCK	5

	Part.No.	Alternative.	Description	Fig.No.
	302K934150	2K934150	LABEL HIGH TEMP	29
	302K934160	2K934160	LABEL EXIT A2	31
	302K934170	2K934170	LABEL RELAY A3	29
	302K934180	2K934180	LABEL RELAY A4	29
	302K934190	2K934190	LABEL JOB SEPARATOR	28
	302K934270	2K934270	LABEL POWER CABLE CAUTION EN	1
	302K934501	2K934501	LABEL CASSETTE RELEASE	5
	302K934700	2K934700	SHEET CASSETTE PAPER SIZE A	5
	302K934710	2K934710	SHEET CASSETTE PAPER SIZE B	5
	302K934730	2K934730	SHEET CASSETTE PAPER MEDIA KL-A	5
	302K934740	2K934740	SHEET CASSETTE PAPER MEDIA KL-B	5
	302K934750	2K934750	SHEET CASSETTE PAPER MEDIA KL-C	5
	302K934760	2K934760	SHEET CASSETTE PAPER MEDIA KL-D	5
	302K934770	2K934770	SHEET CASSETTE PAPER MEDIA KL-E	5
	302K939010	2K939010	SHIELD BOX	33
	302K939030	2K939030	RAIL PWB	33
	302K939040	2K939040	HOLDER FAN MAIN	33
	302K939060	2K939060	FILM SHIELD BOX	33
	302K939070	2K939070	GUIDE CF	33
	302K939080	2K939080	PLATE SHIELD BOX	4
	302K939140	2K939140	GUIDE FFC FEED 1	33
	302K939150	2K939150	PLATE PWB FEED	33
	302K939170	2K939170	GUIDE FFC FEED 2	33
	302K939200	2K939200	SPRING HV	20
	302K939230	2K939230	HOLDER PWB	13,32
	302K939360	2K939360	SPRING HV	15,20,32
	302K939370	2K939370	PLATE INLET A	32
	302K939380	2K939380	GUIDE WIRE INLET	32
	302K939390	2K939390	PLATE MAIN SW A	32
	302K939401	2K939401	PLATE PWB LVU	33
	302K939430	2K939430	PLATE OPTION COIN-VENDOR	33
	302K939460	2K939460	GUIDE WIRE IH	32
	302K939470	2K939470	COVER WIRE IH	32
	302K939520	2K939520	COVER WIRE FUSER	1,32
	302K939550	2K939550	GUIDE WIRE ISU	32
	302K939560	2K939560	DUCT FAN IH	32
	302K939620	2K939620	COVER CONTROL BOX TOP	33
	302K946100	2K946100	WIRE FUSER MOTOR H	24
	302K946360	2K946360	WIRE EXIT	27
	302K946370	2K946370	WIRE MPF	17
	302K946380	2K946380	WIRE MPF TRAY	18
	302K946390	2K946390	WIRE PRIMARY FEED UNIT	14
	302K946400	2K946400	WIRE CASSETTE SIZE	32
	302K946410	2K946410	WIRE LIFT MOTOR	32
	302K946420	2K946420	WIRE PAPER SENSOR	32
	302K946430	2K946430	WIRE GUIDE FEED LOW	15
	302K946441	2K946441	WIRE FEED MOTOR	25
	302K946450	2K946450	WIRE GUIDE FEED MIDDLE	15
	302K946530	2K946530	WIRE INTERLOCK	32
	302K946550	2K946550	WIRE REGIST MOTOR	24

• Parts with "⊙" indicate regular maintenance parts.

Part.No.	Alternative.	Description	Fig.No.
302K946560	2K946560	WIRE FFC MAIN-ENGINE 2	33
302K946571	2K946571	WIRE FEED JOINT	33
302K946580	2K946580	WIRE JOBSEPARATOR JOINT	32
302K946590	2K946590	WIRE FUSER JOINT	32
302K946600	2K946600	WIRE MPF SIZE DETECTION	18
302K946640	2K946640	WIRE LVU FAN	26
302K946670	2K946670	WIRE FFC CCD	19
302K946680	2K946680	WIRE CCD POWER	19
302K946690	2K946690	WIRE ASSIST CLUTCH	25
302K946700	2K946700	WIRE CCD DATA	19
302K946710	2K946710	WIRE FFC LED	19
302K946720	2K946720	WIRE ISC-MAIN	19
302K946730	2K946730	WIRE OPEN SENSOR	19
302K946750	2K946750	WIRE ORIGINAL SENSOR	19
302K946760	2K946760	WIRE MAIN-OPERATION	33
302K946770	2K946770	WIRE PANEL-LVU	33
302K946781	2K946781	WIRE MAIN-PANEL USB JOINT	33
302K946791	2K946791	WIRE MAIN-PANEL USB	34
302K946801	2K946801	WIRE USB HOST	34
302K946810	2K946810	WIRE PANEL JOINT	34
302K946820	2K946820	WIRE OPERATION RIGHT	34
302K946830	2K946830	WIRE OPERATION UPPER	34
302K946840	2K946840	WIRE OPERATION LEFT	34
302K946860	2K946860	WIRE INLET ASSY 1	32
302K946870	2K946870	WIRE INLET ASSY 2	32
302K946880	2K946880	WIRE MAIN SWITCH	32
302K946900	2K946900	WIRE BRIDGE JOINT	33
302K946910	2K946910	WIRE KUIO POWER	33
302K946921	2K946921	WIRE USB HOST JOINT	33
302K946930	2K946930	WIRE FEED POWER	25
302K946960	2K946960	WIRE ENGINE POWER	33
302K946980	2K946980	WIRE LVU RIGHT	33
302K946990	2K946990	WIRE FFC KUIO	33
302K946A10	2K946A10	WIRE HDD POWER	33
302K946A20	2K946A20	WIRE HDD DATA1	33
302K946A30	2K946A30	WIRE HDD DATA2	33
302K946A40	2K946A40	WIRE MAIN-LVU	33
302K946A60	2K946A60	WIRE PF CASSETTE HEATER	33
302K946A80	2K946A80	WIRE TONER LEVEL SENSOR	21
302K946A90	2K946A90	WIRE HP SENSOR	19
302K946AB0	2K946AB0	WIRE FEED CLUTCH	25
302K946AJ0	2K946AJ0	WIRE KEY COUNTER	33,44
302K946AR0	2K946AR0	WIRE CASSETTE HEATER LOOP	33
302K946B40	2K946B40	WIRE FFC FEED1	33
302K946B50	2K946B50	WIRE FFC FEED2	33
302K946B60	2K946B60	WIRE FFC FEED3	33
302K946B90	2K946B90	WIRE FFC LCD	34
⊙ 302K993012	2K993012	CT-8705	5
⊙ 302K993020	2K993020	PARTS FEED DRIVE H UNIT SP	25
⊙ 302K993040	2K993040	PARTS MOUNT LED ASSY SP	19

Part.No.	Alternative.	Description	Fig.No.
⊙ 302K993140	2K993140	FK-8708 IH	23
⊙ 302K993150	2K993150	FK-8709 IH	23
⊙ 302K994012	2K994012	PARTS MPT ASSY SP	17
⊙ 302K994021	2K994021	PARTS PRIMARY FEED UNIT HI SP	14
⊙ 302K994030	2K994030	PARTS CONTACT-GLASS ASSY(I) SP	19
⊙ 302K994040	2K994040	PARTS CONTACT-GLASS ASSY(C) SP	19
⊙ 302K994051	2K994051	PARTS MPT TRAY UNIT SP	18
⊙ 302K994090	2K994090	PARTS FAN FUSER FRONT UNIT SP	26
⊙ 302K994101	2K994101	PARTS FILTER EXIT UNIT SP	2
⊙ 302K994120	2K994120	PARTS SIZE DETECTION ASSY SP	32
⊙ 302K994130	2K994130	PARTS GUIDE FEED MIDDLE ASSY SP	15
⊙ 302K994140	2K994140	PARTS LSU RETAINER MOTOR ASSY SP	25
⊙ 302K994150	2K994150	PARTS TONER FULL DETECT ASSY SP	32
⊙ 302K994160	2K994160	PARTS ID SENSOR ASSY SP	16
⊙ 302K994181	2K994181	PARTS PWB FEED 1 ASSY SP	33
⊙ 302K994190	2K994190	PARTS PWB FEED 2 ASSY SP	25
⊙ 302K994201	2K994201	PARTS PWB JUNCTION ASSY SP	16
⊙ 302K994210	2K994210	PARTS PWB EDGE SENSOR ASSY SP	15
⊙ 302K994231	2K994231	PARTS PWB ISC ASSY SP	19
⊙ 302K994240	2K994240	PARTS PWB OPERATION ASSY SP	34
⊙ 302K994250	2K994250	PARTS PWB OPERATION LED ASSY SP	34
⊙ 302K994270	2K994270	PARTS PWB KUIO ASSY SP	33
⊙ 302K994300	2K994300	PARTS MOTOR PM FEED SP	16,24,27,28,30
⊙ 302K994331	2K994331	PARTS MOTOR-BL W30 SP	12,24,25
⊙ 302K994340	2K994340	PARTS FAN BOX COOLING 60 SP	33
⊙ 302K994350	2K994350	PARTS FAN COOLING DLP 70 SP	26
⊙ 302K994360	2K994360	PARTS FAN COOLING LSU 60 SP	32
⊙ 302K994370	2K994370	PARTS SOLENOID FEED SHIFT SP	27,31
⊙ 302K994380	2K994380	PARTS SOLENOID FEED SHIFT SP	9,11,14
⊙ 302K994390	2K994390	PARTS SOLENOID ID SENSOR SP	16
⊙ 302K994411	2K994411	PARTS UNIT LOW VOLTAGE SP	33
⊙ 302K994420	2K994420	PARTS ROLLER ASSIST SP	14
⊙ 302K994430	2K994430	PARTS ROLLER FEED LOW SP	15
⊙ 302K994470	2K994470	PARTS ROLLER DU LOW SP	16
⊙ 302K994480	2K994480	PARTS ROLLER DU MID SP	16
⊙ 302K994491	2K994491	PARTS ROLLER DU UP SP	16
⊙ 302K994530	2K994530	PARTS GEAR Z30R FEED OW SP	9,11,14
⊙ 302K994540	2K994540	PARTS GEAR Z30R ONE-WAY SP	17
⊙ 302K994550	2K994550	PARTS GEAR CURSOR SP	5
⊙ 302K994560	2K994560	PARTS GEAR Z48R SP	15
⊙ 302K994580	2K994580	PARTS SENSOR OPT. SP	9,11,14
⊙ 302K994600	2K994600	PARTS PWB JOB SEPA ASSY SP	28
⊙ 302K994620	2K994620	PARTS PWB MPF SIZE ASSY SP	18
⊙ 302K994660	2K994660	PARTS EXIT UNIT A SP	27
⊙ 302K994692	2K994692	PARTS FUSER DRIVE UNIT SP	24
⊙ 302K994700	2K994700	PARTS IH BOX ASSY E SP	32
⊙ 302K994710	2K994710	PARTS IH BOX ASSY J SP	32
⊙ 302K994750	2K994750	PARTS FILTER TONER UNIT(M) SP	2
⊙ 302K994770	2K994770	PARTS COVER CASSETTE ASSY SP	5
⊙ 302K994830	2K994830	PARTS PWB BRIDGE ASSY SP	30

• Parts with "⊙" indicate regular maintenance parts.

Part.No.	Alternative.	Description	Fig.No.
⊙ 302K994840	2K994840	PARTS PWB PANEL MAIN ASSY SP	34
⊙ 302K994880	2K994880	PARTS LCD OPERATION SP	34
⊙ 302K994891	2K994891	PARTS MOTOR-BL W30 DLP SP	24
⊙ 302K994910	2K994910	PARTS ROLLER EXIT SP	27
⊙ 302K994931	2K994931	PARTS DEHUMIDIFINR 120 SET SP	43
⊙ 302K994941	2K994941	PARTS DEHUMIDIFINR 240 SET SP	43
⊙ 302K994960	2K994960	PARTS DUCT OPTION REAR SET SP	43
⊙ 302K994970	2K994970	PARTS COVER RIGHT FRONT SP	2
⊙ 302K994980	2K994980	PARTS MOTOR PM REGIST SP	16
⊙ 302K994A00	2K994A00	PARTS ROLLER REGIST H SP	15
⊙ 302K994A40	2K994A40	PARTS ROLLER EXIT B SP	27
⊙ 302K994A70	2K994A70	PARTS GLASS TABLE ASSY SP	2
⊙ 302K994A80	2K994A80	PARTS MOTOR HB MID SP	15
⊙ 302K994B80	2K994B80	PARTS GUIDE EXIT MIDDLE SP	27
⊙ 302K994B90	2K994B90	PARTS GUIDE PRIMARY FEED SET SP	14
⊙ 302K994C00	2K994C00	PARTS RELAY DRIVE UNIT SP	30
⊙ 302K994C20	2K994C20	PARTS PLATE PAPER BOTTOM UNIT SP	5
⊙ 302K994C31	2K994C31	PARTS GUIDE RELAY UPPER UNIT SP	29
⊙ 302K994C80	2K994C80	PARTS PAPER LEVEL SENSOR ASSY SP	32
⊙ 302K994C90	2K994C90	PARTS STAY CASSETTE RAIL LEFT ASSY SP	4
⊙ 302K994D40	2K994D40	PARTS MOTOR ISU SP	19
302KK17031	2KK17031	MOUNT LEFT PULLEY	19
302KK17320	2KK17320	MIRROR A	19
302KP04480	2KP04480	SHEET EMBLEM	2
302KP34220	2KP34220	LABEL HIGH TEMPERATURE CAUTION	43
302KY12020	2KY12020	OIL SEAL	21
⊙ 302KY94070	2KY94070	PARTS MOTOR DU SP	42
302LC02561	2LC02561	HANDLE RIGHT	4
⊙ 302LC02710	2LC02710	COVER HUMIDITY SENSOR	1
302LC02780	2LC02780	SHEET COVER FUSER PWB	33
302LC02810	2LC02810	PROTECTOR PLATE HANDLE	4
⊙ 302LC03130	2LC03130	GEAR Z20S	25
⊙ 302LC03140	2LC03140	GEAR Z30S COUPLING	25
302LC03160	2LC03160	MOUNT DRIVE	25
302LC03170	2LC03170	PLATE DRIVE	25
302LC03200	2LC03200	SPRING COUPLING	25
302LC03451	2LC03451	SHUTTER PIPE LOWER	22
302LC03500	2LC03500	COVER CONNECTOR	3
⊙ 302LC04062	2LC04062	COVER RIGHT MIDDLE R	1
⊙ 302LC04110	2LC04110	LID LEFT COVER REAR	2
302LC04130	2LC04130	COVER ISU LEFT	19
302LC04140	2LC04140	COVER ISU RIGHT	19
302LC04271	2LC04271	EMBLEM	1
⊙ 302LC04280	2LC04280	COVER HANDLE	1
⊙ 302LC04290	2LC04290	COVER MAIN SWITCH	1
⊙ 302LC04340	2LC04340	COVER ISU LEFT SUB	2
302LC04470	2LC04470	LID FAX BOARD	3
302LC04600	2LC04600	COVER TRAY	44
302LC04620	2LC04620	MOUNT TRAY	44
302LC05050	2LC05050	KEY 10	34

Part.No.	Alternative.	Description	Fig.No.
302LC05070	2LC05070	KEY FUNCTION	34
302LC05080	2LC05080	KEY UNIVERSAL	34
302LC05090	2LC05090	KEY START	34
302LC05100	2LC05100	KEY STOP	34
302LC05110	2LC05110	KEY RESET	34
302LC05120	2LC05120	KEY POWER SUPPLY	34
302LC05150	2LC05150	LID OPERATION SHEET A	34
302LC05160	2LC05160	LID OPERATION SHEET B	34
302LC05310	2LC05310	LENS LED	34
⊙ 302LC05390	2LC05390	LABEL UNIVERSAL	34
302LC05590	2LC05590	LENS LED B	34
302LC06170	2LC06170	SPRING GUIDE FEED	14
302LC06210	2LC06210	GUIDE WIRE FEED LOW	1,15
302LC09020	2LC09020	FILM CASSETTE B	5
302LC09030	2LC09030	FILM CASSETTE C	5
302LC28110	2LC28110	SPRING-EXTENSION	27
302LC28240	2LC28240	SPRING SWITCHBACK	14
302LC31070	2LC31070	SPRING DRUM JOINT	24
302LC31511	2LC31511	SEAL MOTOR DC	21,25,26
302LC31640	2LC31640	CUT WASHER 5X10	24
⊙ 302LC33240	2LC33240	FILTER OPTION A	26
302LC33370	2LC33370	FILTER LEFT SIDE	2
302LC33471	2LC33471	DUCT FUSER LOW	26
302LC33510	2LC33510	FILM FUSER DUCT	26
302LC33540	2LC33540	SEAL INNER COOLING C	21
302LC34031	2LC34031	LABEL OPERATION CAUTION B	2
302LC34050	2LC34050	LABEL SW CAUTION EN	1
302LC34061	2LC34061	LABEL MPF CAUTION A	18
302LC34070	2LC34070	LABEL MPF CAUTION B	3
302LC34080	2LC34080	LABEL MPF PAPER LIMIT	18
302LC34090	2LC34090	LABEL MPF SIZE INDICATOR ME	18
302LC34100	2LC34100	LABEL MPF SIZE INDICATOR IN	18
302LC34110	2LC34110	LABEL MPF PUSH	3
302LC34160	2LC34160	LABEL SW CAUTION SET A	1
302LC34180	2LC34180	LABEL MPF SET A	3
302LC39020	2LC39020	PLATE INLET B	32
302LC39040	2LC39040	PLATE MAIN SW B	32
302LC46240	2LC46240	WIRE DU UPPER	16
302LC46480	2LC46480	WIRE MPF JOINT	16
302LC46860	2LC46860	WIRE LVU JOINT	33
302LC46880	2LC46880	WIRE MAIN SWITCH	32
⊙ 302LC93160	2LC93160	PARTS STORAGE DEVICE SP	33
⊙ 302LC94130	2LC94130	PARTS FILTER BELT UNIT(V) SP	2
⊙ 302LC94190	2LC94190	PARTS CONV RELEASE MOTOR ASSY SP	21
⊙ 302LC94200	2LC94200	PARTS MPT LIFT MOTOR ASSY SP	17
⊙ 302LC94270	2LC94270	PARTS PWB CURRENT AVE ASSY SP	32
⊙ 302LC94291	2LC94291	PARTS MOTOR-BL W10 SP	16
⊙ 302LC94320	2LC94320	PARTS FAN COOLING 50 SP	16
⊙ 302LC94370	2LC94370	PARTS SPEAKER SP	34
⊙ 302LC94380	2LC94380	PARTS FAN COOLING LSU 60 SP	16,21,26

• Parts with "⊙" indicate regular maintenance parts.

	Part.No.	Alternative.	Description	Fig.No.
⊙	302LC94390	2LC94390	PARTS MEMORY MODULE SP	33
⊙	302LC94410	2LC94410	PARTS SENSOR OPT. SP	16
⊙	302LC94461	2LC94461	PARTS MOTOR-BL W20 DRUM Z11 SP	24
⊙	302LC94470	2LC94470	PARTS COVER GUIDE DU L ASSY SP	17
⊙	302LC94550	2LC94550	PARTS ROLLER MIDDLE L SP	15
⊙	302LC94680	2LC94680	PARTS REGIST GUIDE ASSY SP	15
	302LF02100	2LF02100	RAIL DLP	20
	302LF02110	2LF02110	ARM RAIL F	20
	302LF02122	2LF02122	ARM RAIL R	20
	302LF02130	2LF02130	COVER TONER DUCT	20
	302LF02140	2LF02140	SEAL TONER DUCT	20
	302LF02150	2LF02150	TERMINAL MAG	20
	302LF02160	2LF02160	TERMINAL SLEEVE	20
	302LF02180	2LF02180	SPRING LEVER DLP	20
	302LF02190	2LF02190	RETAINER DLP DRIVE	20
	302LF02210	2LF02210	PLATE PRESS LEVER	20
	302LF02220	2LF02220	SHAFT CAM	20
	302LF02230	2LF02230	CAM DLP PRESS	20
	302LF02240	2LF02240	MOUNT CAM	20
	302LF02250	2LF02250	SPRING CAM	20
	302LF02260	2LF02260	LEVER DLP RAIL	20
	302LF02280	2LF02280	COVER DRUM	20
	302LF02291	2LF02291	ARM COVER DRUM FRONT	20
	302LF02301	2LF02301	ARM COVER DRUM REAR	20
	302LF02310	2LF02310	SPRING-TORSION ARM A FRONT	20
	302LF02320	2LF02320	SPRING-TORSION ARM A REAR	20
	302LF02330	2LF02330	SPRING-TORSION ARM B FRONT	20
	302LF02340	2LF02340	SPRING-TORSION ARM B REAR	20
	302LF02350	2LF02350	STAY DRUM COVER	20
	302LF02360	2LF02360	MOUNT COVER DRUM REAR	20
	302LF02370	2LF02370	MOUNT COVER DRUM FRONT	20
	302LF02380	2LF02380	HOLDER FFC	32
	302LF02390	2LF02390	PLATE EARTH DRIVE	20
	302LF02410	2LF02410	SHEET PWB HVU MAIN	33
	302LF02420	2LF02420	DUCT COOLING	20
	302LF02430	2LF02430	SEAL COOLING DUCT	20
	302LF02441	2LF02441	SPRING DUCT	26
	302LF02450	2LF02450	TUBE DUCT	26
	302LF02460	2LF02460	STOPPER TUBE	26
	302LF02500	2LF02500	SHEET PWB FRONT	32
	302LF02510	2LF02510	SHEET WIRE FRONT	4
	302LF03011	2LF03011	LEVER CASS SHUTTER	21
	302LF03021	2LF03021	PLATE INNER FRAME	21
	302LF03041	2LF03041	COVER INNER	21
	302LF03051	2LF03051	PIPE WASTE UPPER	22
	302LF03061	2LF03061	PIPE WASTE LOWER	22
	302LF03070	2LF03070	SHEET DUCT DLP	21
	302LF03080	2LF03080	LEVER HOOK	21
	302LF03090	2LF03090	SEAL PIPE WASTE A	22
	302LF03100	2LF03100	SEAL PIPE BOTTLE	22

	Part.No.	Alternative.	Description	Fig.No.
	302LF03110	2LF03110	SCREW WASTE	22
	302LF03120	2LF03120	SEAL PIPE UPPER	22
	302LF03150	2LF03150	SHAFT DRIVE A	22
	302LF03220	2LF03220	HOLDER DRIVE	22
	302LF03250	2LF03250	DUCT DLP	21
	302LF03280	2LF03280	FILM INNER FRAME	21
	302LF03360	2LF03360	MOUNT PIPE	22
	302LF03371	2LF03371	DUCT DRUM	21
	302LF03380	2LF03380	LID DRUM DUCT	21
	302LF03400	2LF03400	SPRING LEVER R	21
	302LF03410	2LF03410	SPRING LEVER L	21
	302LF03460	2LF03460	WORK PLATE CASS	21
	302LF03511	2LF03511	DUCT WASTE A	21
	302LF03520	2LF03520	DUCT WASTE B	21
	302LF03530	2LF03530	SHUTTER DUCT WASTE	21
	302LF03540	2LF03540	SEAL SHUTTER DUCT	21
	302LF03710	2LF03710	BASE GUIDE CONTAINER	20
	302LF03720	2LF03720	RAIL CONTAINER R	4
	302LF03730	2LF03730	RAIL CONTAINER L	4
	302LF03900	2LF03900	SEAL DUCT DLP A	21
	302LF03910	2LF03910	SEAL DUCT DLP B	21
	302LF03920	2LF03920	SEAL DUCT DLP C	21
	302LF03930	2LF03930	SEAL DUCT DRUM A	21
	302LF03940	2LF03940	SEAL DUCT DRUM B	21
	302LF03960	2LF03960	SEAL DUCT CASS A	21
	302LF03970	2LF03970	SEAL DUCT CASS B	21
	302LF03980	2LF03980	SEAL DUCT DRUM C	21
	302LF03990	2LF03990	SEAL INNER	21
	302LF04010	2LF04010	COVER INNER UPPER	3
	302LF04020	2LF04020	COVER INNER LOWER	3
⊙	302LF04040	2LF04040	COVER LEFT UPPER	2
	302LF04050	2LF04050	SEAL LSU DUCT	2
	302LF04060	2LF04060	SHEET MOUNT FRONT COVER	4
⊙	302LF04072	2LF04072	COVER REAR UPPER	3
⊙	302LF04080	2LF04080	COVER REAR LOWER	3
	302LF04090	2LF04090	SPONGE FRONT COVER A	1
	302LF04100	2LF04100	SPONGE FRONT COVER B	1
	302LF04130	2LF04130	MAGNET CATCH	3
⊙	302LF05011	2LF05011	PANEL OPERATION	34
	302LF05031	2LF05031	LABEL OPERATION EN	34
	302LF05041	2LF05041	LABEL OPERATION DE	34
	302LF05051	2LF05051	LABEL OPERATION FR	34
	302LF05061	2LF05061	LABEL OPERATION TL	34
	302LF05071	2LF05071	LABEL OPERATION ES	34
	302LF05081	2LF05081	LABEL OPERATION PT	34
	302LF05091	2LF05091	LABEL OPERATION NL	34
	302LF05101	2LF05101	LABEL OPERATION RU	34
	302LF08010	2LF08010	SPRING MIDDLE	17
	302LF15012	2LF15012	CASE TONER HOPPER	21
	302LF15020	2LF15020	LID TONER HOPPER	21

• Parts with "⊙" indicate regular maintenance parts.

	Part.No.	Alternative.	Description	Fig.No.
⊙	302LF15030	2LF15030	GEAR Z15S IDLE	21
	302LF15050	2LF15050	SHAFT TONER SUPPLY	21
⊙	302LF15070	2LF15070	GEAR Z60S	21
	302LF15080	2LF15080	HOLDER TONER MOTOR	21
	302LF15170	2LF15170	SPONGE HOPPER A	21
⊙	302LF22010	2LF22010	ROLLER TRANSFER	16
⊙	302LF22020	2LF22020	ROLLER TRANSFER DRIVE	16
⊙	302LF22030	2LF22030	ROLLER TRANSFER IDLE	16
	302LF22060	2LF22060	BELT TRANSFER	16
	302LF22070	2LF22070	GUIDE TRANSFER FRONT A	15
	302LF22080	2LF22080	GUIDE TRANSFER FRONT B	16
	302LF22091	2LF22091	FRAME TRANSFER	16
⊙	302LF22100	2LF22100	GEAR Z30R	16
⊙	302LF22110	2LF22110	GEAR Z21L-Z39L	16
	302LF22120	2LF22120	PLATE TRANSFER DRIVE	16
	302LF22140	2LF22140	HOLDER TRANSFER FRONT	16
	302LF22150	2LF22150	HOLDER TRANSFER REAR	16
	302LF22200	2LF94060	COVER MOTOR	16
⊙	302LF22210	2LF22210	GEAR Z31R-Z42R	16
	302LF22220	2LF22220	STAY TRANSFER	16
	302LF22230	2LF22230	GUIDE TRANSFER REAR	16
	302LF22240	2LF22240	HOLDER TRANSFER REAR	16
	302LF22250	2LF22250	STATIC-ELIMINATOR TRANSFER	16
	302LF22260	2LF22260	FILM GUIDE REAR	16
	302LF22280	2LF22280	SPRING TRANSFER	16
	302LF22290	2LF22290	PLATE HOLDER REAR	16
	302LF22310	2LF22310	PLATE BIAS	16
	302LF22320	2LF22320	PLATE HOLDER FRONT	16
	302LF22380	2LF22380	SPACER PRESS TRANSFER	16
	302LF22390	2LF22390	MOUNT ID SENSOR	16
	302LF22400	2LF22400	BUSH TRANSFER	16
	302LF22450	2LF22450	RETAINER TRANSFER FRONT	16
	302LF22460	2LF22460	RETAINER TRANSFER REAR	16
	302LF22470	2LF22470	COVER TRANSFER	16
	302LF22530	2LF22530	ARM SOLENOID	16
	302LF22540	2LF22540	MOUNT SENSOR UNIT	16
	302LF22550	2LF22550	SHUTTER ID SENSOR	16
	302LF22570	2LF22570	SPRING TRANS GUIDE	16
	302LF22580	2LF22580	SPACER FRAME FRONT	15
	302LF22590	2LF22590	SPACER FRAME REAR	15
	302LF22600	2LF22600	SPRING EARTH CONVEYING	16
	302LF22610	2LF22610	SPRING EXTENSION SHUTTER	16
	302LF22620	2LF22620	SHEET CONTACT HV	16
	302LF22650	2LF22650	SHEET PROTECTOR TONER F	15
	302LF22660	2LF22660	SHEET PROTECTOR TONER R	15
	302LF24010	2LF24010	CAP PRESS TRANSFER	16
	302LF24020	2LF24020	SPRING-COMPRESSION BELT ASSY A	16
	302LF24030	2LF24030	SPRING-COMPRESSION BELT ASSY B	16
	302LF24040	2LF24040	SPRING CONTACT TRANSFER	16
	302LF24060	2LF24060	SPRING CONTACT BELT UNIT	16

	Part.No.	Alternative.	Description	Fig.No.
	302LF24070	2LF24070	PLATE CONTACT TRANSFER	16
	302LF24081	2LF24081	PLATE CONTACT CLEANING	16
	302LF24091	2LF24091	HOLDER CONTACT BELT	16
	302LF24140	2LF24140	MOUNT CLEANER REGIST	15
⊙	302LF24150	2LF24150	ROLLER REGIST R	16
	302LF24160	2LF24160	SHEET WIRE SENSOR	16
	302LF24190	2LF24190	SHEET REGIST R	16
	302LF28011	2LF28011	GUIDE RELAY UPPER	29
	302LF28023	2LF28023	GUIDE RELAY LOWER	29
	302LF28050	2LF28050	PLATE REINFORCEMENT	29
	302LF28060	2LF28060	ACTUATOR RELAY	29
	302LF28071	2LF28071	GUIDE RIGHT UPPER	29
	302LF28082	2LF28082	GUIDE RIGHT LOWER	29
	302LF28093	2LF28093	FRAME DRIVE	30
	302LF28101	2LF28101	PLATE DRIVE A	30
	302LF28113	2LF28113	PLATE MOTOR DRIVE	30
	302LF28120	2LF28120	JOINT DRIVE	29
	302LF28130	2LF28130	BELT S2M-Z133	29
⊙	302LF28140	2LF28140	GEAR Z31R-Z20R	30
⊙	302LF28150	2LF28150	GEAR Z42L	30
	302LF28161	2LF28161	PLATE EARTH ROLLER	29
	302LF28170	2LF28170	PLATE SUPPORT SLIDER	29
	302LF28180	2LF28180	SHAFT HANDLE	29
	302LF28190	2LF28190	ARM LEVER RELAY	29
	302LF28200	2LF28200	JOINT RELAY	29
	302LF28210	2LF28210	JOINT HANDLE	29
	302LF28222	2LF28222	HOUSING RELAY EXIT	31
	302LF28230	2LF28230	GUIDE RELAY EXIT UPPER	31
	302LF28240	2LF28240	GUIDE RELAY EXIT RIGHT	31
	302LF28250	2LF28250	MOUNT RELAY EXIT	31
⊙	302LF28270	2LF28270	COVER RELAY EXIT	31
⊙	302LF28280	2LF28280	GEAR Z21S	29,30
⊙	302LF28290	2LF28290	GEAR Z21S-Z40R	30
⊙	302LF28300	2LF28300	GEAR Z14S-Z30R	30
⊙	302LF28330	2LF28330	GEAR Z14S-Z35R	29
	302LF28342	2LF28342	PULLEY P18-S2M	29,31
	302LF28350	2LF28350	ACTUATOR RELAY EXIT SW	31
⊙	302LF28360	2LF28360	GEAR PRESS DRIVE	29
	302LF28370	2LF28370	CAP PRESS UNIT	29
	302LF28380	2LF28380	GUIDE PRESS ROTARY	29
	302LF28390	2LF28390	DUCT RELAY	29
	302LF28401	2LF28401	PLATE RELAY SOLENOID	31
	302LF28410	2LF28410	LEVER RELAY SOLENOID	31
⊙	302LF28420	2LF28420	GEAR Z20R-P18	31
⊙	302LF28440	2LF28440	SPRING-COMPRESSION JOINT	29
⊙	302LF28450	2LF28450	BELT S2M-Z112	31
	302LF28461	2LF28461	PLATE MOTOR PRESS DRIVE	30
	302LF28470	2LF28470	ACTUATOR PRESS	30
	302LF28500	2LF28500	SPRING-EXTENSION EARTH	29
⊙	302LF28510	2LF28510	HANDLE FRONT	29

• Parts with "⊙" indicate regular maintenance parts.

	Part.No.	Alternative.	Description	Fig.No.
⊙	302LF28520	2LF28520	COVER RELAY	29
	302LF28531	2LF28531	PLATE EARTH EXIT	31
	302LF28541	2LF28541	PLATE EARTH ROLLER A	31
	302LF28560	2LF28560	GUIDE HARNESS	30
	302LF28580	2LF28580	SPRING-TORSION HOOK	29
	302LF28590	2LF28590	STOPPER RELAY	30
	302LF28600	2LF28600	GUIDE DECURLER PIN	30
	302LF28610	2LF28610	SPRING COMPRESSION RELAY	30
	302LF28621	2LF28621	PLATE REINFORCEMENT EXIT	31
	302LF28630	2LF28630	PLATE EARTH EXIT	31
	302LF28640	2LF28640	STATIC-ELIMINATOR EJECT	31
⊙	302LF28650	2LF28650	GEAR Z30L DECURLER	29
	302LF28661	2LF28661	PLATE EARTH RELAY B	31
	302LF28720	2LF28720	SLIDER RELEASE	31
	302LF28780	2LF28780	PLATE HINGE STOPPER	29
	302LF28800	2LF28800	PLATE REINFORCEMENT	31
	302LF28810	2LF28810	SPRING-TORSION RELAY EXIT	31
	302LF28820	2LF28820	SHEET RELAY LOWER	29
	302LF28840	2LF28840	SPRING-COMPRESSION RELAY EXIT	31
	302LF29030	2LF29030	COVER INNER CONVEYING A	16
	302LF29040	2LF29040	GUIDE UNIT F	16
	302LF29050	2LF29050	MOUNT CONVEYING	4
	302LF31610	2LF31610	PLATE REGIST DRIVE	24
	302LF31630	2LF31630	MOUNT DRUM DRIVE	24
	302LF33020	2LF33020	DUCT TONER LOW	26
	302LF33030	2LF33030	DUCT TONER UP	26
	302LF33050	2LF33050	DUCT LSU LOW	26
	302LF33060	2LF33060	DUCT LSU UP	26
	302LF33090	2LF33090	SEAL DUCT LSU	26
	302LF33110	2LF33110	DUCT LSU REAR LEFT A	26
	302LF33120	2LF33120	DUCT LSU REAR LEFT B	26
	302LF33130	2LF33130	DUCT LSU FRONT LEFT A	26
	302LF33140	2LF33140	DUCT LSU FRONT LEFT B	26
	302LF33150	2LF33150	DUCT LSU SIDE	26
	302LF33160	2LF33160	DUCT LSU JOINT	26
	302LF33210	2LF33210	SEAL TONER DUCT B	26
	302LF33220	2LF33220	SEAL TONER DUCT C	26
	302LF33250	2LF33250	LID DISPOSAL	26
	302LF33290	2LF33290	SEAL DISPOSAL C	26
	302LF33300	2LF33300	DUCT CONTAINER REAR LOWER	26
	302LF33310	2LF33310	DUCT CONTAINER REAR UPPER	26
	302LF33320	2LF33320	SEAL CONTAINER REAR LEFT	26
	302LF33330	2LF33330	FILM DUCT CONTAINER	26
	302LF33360	2LF33360	MOUNT TONER FAN	26
	302LF33380	2LF33380	DUCT CONVEYING LEFT	16
	302LF33390	2LF33390	DUCT CONVEYING RIGHT	16
	302LF33400	2LF33400	SEAL DUCT CONVEYING	16
	302LF33410	2LF33410	DUCT ISU LOWER LEFT	26
	302LF33420	2LF33420	DUCT ISU REAR LEFT A	26
	302LF33430	2LF33430	DUCT ISU REAR LEFT B	26

	Part.No.	Alternative.	Description	Fig.No.
	302LF33440	2LF33440	SPONGE ISU LOWER A	26
	302LF33450	2LF33450	SPONGE ISU LOWER B	26
	302LF33460	2LF33460	SPONGE DUCT LSU LEFT	26
	302LF33480	2LF33480	DUCT CONTAINER RIGHT	4
	302LF33490	2LF33490	SEAL DUCT CONTAINER R	4
	302LF33500	2LF33500	DUCT ISU LOWER RIGHT	26
	302LF33510	2LF33510	DUCT ISU RIGHT LOWER	26
	302LF33520	2LF33520	DUCT ISU RIGHT UPPER	26
	302LF33530	2LF33530	SEAL DUCT EXIT	4
	302LF33550	2LF33550	SPONGE ISU LOWER C	26
	302LF33560	2LF33560	SPONGE ISU LOWER D	26
	302LF33570	2LF33570	FILM ISU DUCT	26
	302LF33580	2LF33580	FILM FEED UPPER	15
	302LF33600	2LF33600	PARTITION FIXING HEAT	4
	302LF33610	2LF33610	SPONGE DUCT CONVEYING	16
	302LF33630	2LF33630	FILM FRONT FAN	26
	302LF33640	2LF33640	SPONGE FRONT FAN A	26
	302LF33650	2LF33650	SPONGE FRONT FAN B	26
	302LF33660	2LF33660	FILTER TOP	2
	302LF34010	2LF34010	SHEET EMBLEM 8000	1
	302LF34020	2LF34020	LABEL TONER OPERATION	1
	302LF39010	2LF39010	TERMINAL HV SEPARATION	32
	302LF39020	2LF39020	TERMINAL HV DRUM	32
	302LF39050	2LF39050	GUIDE WIRE FRONT PWB	12,13,19,32,35
	302LF39070	2LF39070	FILM WIRE ENGINE	33
	302LF39080	2LF39080	SPRING HV DRUM	32
	302LF39090	2LF39090	SHEET WIRE HVU MAIN	33
	302LF46100	2LF46100	WIRE EXIT PWB JOINT	32
	302LF46140	2LF46140	WIRE EXIT FAN	32
	302LF46151	2LF46151	WIRE COOLING FAN	26
	302LF46190	2LF46190	WIRE RETAINER	21
	302LF46200	2LF46200	WIRE RETAINER JOINT	3
	302LF46210	2LF46210	WIRE WASTE TONER TANK	26
	302LF46220	2LF46220	WIRE HUMIDITY SENSOR JOINT	26
	302LF46230	2LF46230	WIRE FRONT LOW	1
	302LF46251	2LF46251	WIRE HVU MAIN	32
	302LF46280	2LF46280	WIRE DLP MOT	24
	302LF46290	2LF46290	WIRE DRUM MOT	24
	302LF46310	2LF46310	WIRE DU LOW	16
	302LF46320	2LF46320	WIRE HVU TC	32
	302LF46340	2LF46340	WIRE HVU MC	32
	302LF46350	2LF46350	WIRE CONTAINER MOTOR	25
	302LF46460	2LF46460	WIRE DU SENSOR	16
	302LF46520	2LF46520	WIRE CONVEYING	16
	302LF46610	2LF46610	WIRE DU JOINT	33
	302LF46630	2LF46630	WIRE CONTAINER JOINT	32
	302LF46640	2LF46640	WIRE DEVELOPER JOINT	20
	302LF46890	2LF46890	WIRE CASSETTE HEATER	33
	302LF46940	2LF46940	WIRE FRONT POWER	32
	302LF46950	2LF46950	WIRE T1 POWER	33

• Parts with "⊙" indicate regular maintenance parts.

	Part.No.	Alternative.	Description	Fig.No.
	302LF46A70	2LF46A70	WIRE PF JOINT	33
	302LF46AL0	2LF46AL0	WIRE CONVEYING MOTOR	16
	302LF46B10	2LF46B10	WIRE INTERFACE	30
	302LF46B30	2LF46B30	WIRE GUIDE MOTOR	30
	302LF46B40	2LF46B40	WIRE OPEN SWITCH	30
	302LF46B50	2LF46B50	WIRE FEED SENSOR	30
	302LF46B60	2LF46B60	WIRE EXIT SENSOR	31
	302LF46C10	2LF46C10	WIRE FFC LSU	32
⊙	302LF93015	2LF93015	DK-6705	20
⊙	302LF93021	2LF93021	MC-6705	20
⊙	302LF93033	2LF93033	DV-6705	20
⊙	302LF93055	2LF93055	FK-6706	23
⊙	302LF93065	2LF93065	FK-6707	23
⊙	302LF93071	2LF93071	PARTS DRUM DRIVE H SP	24
⊙	302LF93080	2LF93080	LK-6706	19
⊙	302LF94030	2LF94030	PARTS ROLLER RELAY EXIT MIDDLE SP	31
⊙	302LF94040	2LF94040	PARTS INNER UNIT SP	21
⊙	302LF94052	2LF94052	PARTS CONVEYING H UNIT(ZEUS) SP	16
⊙	302LF94060	2LF94060	PARTS BELT ASSY SP	16
⊙	302LF94070	2LF94070	PARTS ID SENSOR ASSY SP	16
⊙	302LF94080	2LF94080	PARTS CONT DRIVE UNIT K SP	25
⊙	302LF94092	2LF94092	PARTS OPERATION UNIT SP	34
⊙	302LF94112	2LF94112	PARTS GUIDE FEED REGIST ASSY SP	15
⊙	302LF94120	2LF94120	PARTS DLP MOTOR ASSY(Z) SP	24
⊙	302LF94130	2LF94130	PARTS PIPE WASTE ASSY SP	22
⊙	302LF94140	2LF94140	PARTS MOUNT LED UNIT SP	32
⊙	302LF94150	2LF94150	PARTS MOUNT LED UPPER ASSY SP	32
⊙	302LF94160	2LF94160	PARTS CLEANER REGIST ASSY SP	15
⊙	302LF94171	2LF94171	PARTS PWB MAIN ASSY SP	33
⊙	302LF94181	2LF94181	PARTS PWB MAIN ASSY SP EU	33
⊙	302LF94200	2LF94200	PARTS PWB ENGINE ASSY SP	33
⊙	302LF94210	2LF94210	PARTS PWB FRONT MONO ASSY SP	32
⊙	302LF94220	2LF94220	PARTS PWB LSU JUNC MONO ASSY SP	32
⊙	302LF94230	2LF94230	PARTS PWB EXIT ASSY SP	32
⊙	302LF94241	2LF94241	PARTS PWB CODE DIMM ASSY SP	33
⊙	302LF94260	2LF94260	PARTS UNIT HIGH VOLTAGE MAIN SP	33
⊙	302LF94270	2LF94270	PARTS ROLLER PRESS DRIVE SP	29
⊙	302LF94280	2LF94280	PARTS ROLLER PRESS SP	29
⊙	302LF94290	2LF94290	PARTS MOUNT TRAY SET SP	44
⊙	302LF94300	2LF94300	PARTS FILTER FAN ASSY(Z) SP	2
⊙	302LF94310	2LF94310	PARTS FILTER DRUM SP	21
⊙	302LF94320	2LF94320	PARTS FILTER DLP SP	21
⊙	302LF94385	2LF94385	PARTS RELAY EXIT UNIT SP	31
⊙	302LF94400	2LF94400	PARTS DISPOSAL UNIT(ZG) SP	26
⊙	302LF94410	2LF94410	PARTS LID TONER FAN ASSY(ZG) SP	26
⊙	302LF94430	2LF94430	PARTS ROLLER RELAY MIDDLE B SP	29
⊙	302LF94440	2LF94440	PARTS ROLLER RELAY EXIT LOWER B SP	31
	302LG34010	2LG34010	SHEET EMBLEM 6500	1
⊙	302LG93010	2LG93010	LK-6705	19
	302LH02050	2LH02050	SPRING CASSETTE HOOK	4,7

	Part.No.	Alternative.	Description	Fig.No.
	302LH03150	2LH03150	SHAFT DRIVE C	25
	302LH03730	2LH03730	RAIL CONTAINER L	20
	302LH29050	2LH29050	SHEET DU GUIDE LOWER	16
	302LH46140	2LH46140	WIRE EXIT FAN	32
	302LH46150	2LH46150	WIRE CURRENT PWB POWER	32
	302LH46160	2LH46160	WIRE CURRENT PWB	32
	302LH46330	2LH46330	WIRE HVU DLP	33
	302LK03A50	2LK03A50	SPRING PIPE LOW	22
⊙	302LK93083	2LK93083	PARTS IMAGE SCANNER L SP	19
	303H316360	3H316360	SPRING CONVEYING	40
⊙	303H604090	3H604090	CLOTH CLEANING	36
	303H607131	3H607131	BUSHING PF HOLDER	41
	303H607280	3H607280	PULLEY TENSION	41
⊙	303H622331	3H622331	GEAR 20/65 IDLE	42
	303J902370	3J902370	CUSHION ORIGINAL MAT	39
	303JC02050	3JC02050	SPRING LOOP SOLENOID	5
	303JC04200	3JC04200	PLATE ORIGINAL	36
	303JX02090	3JX02090	SPRING PUSH SW	37
	303JX02260	3JX02260	PIN HINGE	37
	303JX02391	3JX02391	SHAFT ANGLE RESTRICTION	37
	303JX06070	3JX06070	PINION GEAR	38
	303JX06090	3JX06090	SENSOR EARTH	38
⊙	303JX07350	3JX07350	SHEET LEFT GUIDE A	35
	303JX07400	3JX07400	TORQUE LIMITER FEED	41
	303JY24640	3JY24640	SPRING RELEASE COVER	28
	303JY37220	3JY37220	STATIC ELIMINATOR CURSOR	8
	303K502070	3K502070	SEAL WIRE	41
	303K502130	3K502130	STATIC ELIMINATOR EJECT	41
	303LL02150	3LL02150	HOLDER SPRING PUSH SW	37
	303LL02180	3LL02180	HOLDER WIRE A	33,35,42
	303LL02190	3LL02190	PIN PF COVER	40
	303LL02330	3LL02330	HOLDER WIRE D	12,13,15,17,19, 26,30,32,33,35, 42
	303LL02380	3LL02380	PLATE GUIDE HINGE	37
⊙	303LL02390	3LL02390	PUSH SW	37
	303LL02410	3LL02410	MOUNT CUSHION	37,39
	303LL02430	3LL02430	SPRING PUSH MAT	37,39
	303LL02530	3LL02530	CUSHION ORIGINAL MAT	37,39
	303LL06090	3LL06090	MOUNT ORIGINAL SENSOR	38
	303LL07130	3LL07130	SHAFT REGISTRATION PULLEY	40
	303LL07170	3LL07170	SPRING REGISTRATION	40
	303LL07190	3LL07190	PULLEY SEPARATION	41
	303LL07471	3LL07471	SPRING PF	18
	303LL07521	3LL07521	TORQUE-LIMITER 400	9,11
⊙	303LL07531	3LL07531	BELT PF	41
⊙	303LL24190	3LL24190	PULLEY GUIDE READING	39,41
⊙	303LL31330	3LL31330	PULLEY 38 CONVEYING	39
	303LL31390	3LL31390	SPRING TENSION CONV	39
⊙	303LL31440	3LL31440	GEAR Z27R ONEWAY	17

• Parts with "⊙" indicate regular maintenance parts.

	Part.No.	Alternative.	Description	Fig.No.
⊙	303LL31520	3LL31520	PLATE TENSION EJECT	39
	303LL94031	3LL94031	PARTS MAT ASSY	36
	303LM02132	3LM02132	BOLT STOPPER	7
	303LM02170	3LM02170	RUBBER BOLT	7
	303LM02181	3LM02181	PIN STAY	7
	303LM02230	3LM02230	SHEET BOLT RUBBER	7
	303LW24060	3LW24060	PULLEY EJECT	4
	303M402021	3M402021	HINGE LEFT	37
	303M402031	3M402031	HINGE RIGHT	37
	303M402060	3M402060	STAY CONVEYING	39
	303M402070	3M402070	STAY LOOP UPPER	41
	303M402100	3M402100	MOUNT TIMING SW	39
	303M402111	3M402111	HOLDER FAN	39
	303M402170	3M402170	PLATE ANGLE	37
	303M402180	3M402180	PLATE HINGE UPPER	37
	303M402190	3M402190	STAY EJECT TRAY	37
	303M402200	3M402200	PLATE GUIDE HINGE	37
	303M402210	3M402210	PIN TABLE	38
⊙	303M404010	3M404010	COVER FRONT	36
⊙	303M404020	3M404020	COVER REAR	36
⊙	303M404031	3M404031	COVER PF	40
⊙	303M404040	3M404040	TRAY EJECT	37
⊙	303M404050	3M404050	COVER LEFT	36
⊙	303M404060	3M404060	COVER INNER	36
⊙	303M404070	3M404070	COVER HINGE LEFT	36
⊙	303M404080	3M404080	COVER HINGE RIGHT	36
	303M404090	3M404090	FILM LED	36
⊙	303M404100	3M404100	COVER BOTTOM RIGHT	37
⊙	303M404110	3M404110	COVER WIRE INTERFACE	36
	303M404121	3M404121	TRAY SLIDE	37
⊙	303M404130	3M404130	HANDLE FRONT COVER	36
	303M404140	3M404140	HANDLE COVER PF	40
⊙	303M404160	3M404160	LID REAR COVER	36
	303M404170	3M404170	STOPPER EJECT	37
⊙	303M406010	3M406010	CURSOR FRONT	38
⊙	303M406020	3M406020	CURSOR REAR	38
	303M406030	3M406030	RACK TABLE	38
	303M406040	3M406040	COVER CURSOR	38
	303M406050	3M406050	LEVER LIFT	38
	303M406060	3M406060	SHAFT LIFT	38
⊙	303M406070	3M406070	GEAR LIFT Z30	38
	303M406080	3M406080	BUSH TABLE	38
	303M406090	3M406090	TABLE LIFT	38
	303M406100	3M406100	BASE TABLE	38
	303M406110	3M406110	COVER TABLE	38
	303M406120	3M406120	SUB TABLE	38
	303M406130	3M406130	COVER TABLE REAR	38
	303M406140	3M406140	SPONGE LIFT	38
	303M406160	3M406160	TORQUE-LIMITER 1000	42
	303M407011	3M407011	GUIDE UPPER	41

	Part.No.	Alternative.	Description	Fig.No.
	303M407021	3M407021	COVER PF ROLLER	41
	303M407030	3M407030	HOLDER LF	41
	303M407040	3M407040	HOLDER PF	41
	303M407050	3M407050	COLLAR PF B	41
	303M407060	3M407060	SHAFT BELT	41
	303M407080	3M407080	PULLEY 20	41
⊙	303M407090	3M407090	BELT 172 LF	41
	303M407101	3M407101	GUIDE LOWER PF	41
⊙	303M407110	3M407110	GEAR Z33	41
	303M407140	3M407140	MOUNT SENSOR RX	41
	303M407150	3M407150	SPRING EARTH	41
	303M407160	3M407160	SPRING HOLDER LF	41
	303M407200	3M407200	PULLEY HOLDER LF	41
	303M407210	3M407210	SHAFT LF	41
	303M407220	3M407220	PULLEY 20 LF	41
	303M407231	3M407231	HOOK COVER	41
	303M407240	3M407240	SHAFT HOOK	41
	303M407260	3M407260	GUIDE REGIST UPPER	40
	303M407270	3M407270	ARM CIS ROLLER FRONT	40
	303M407291	3M407291	GUIDE CIS ROLLER	40
	303M407300	3M407300	LENS LED	40
	303M407310	3M407310	LEVER HANDLE	40
	303M407330	3M407330	PLATE EARTH CIS ROLLER	40
	303M407340	3M407340	PLATE PF COVER FRONT	40
	303M407350	3M407350	PLATE PF COVER REAR	40
	303M407360	3M407360	SHAFT CIS IDLE	40
	303M407370	3M407370	HOLDER REGIST PULLEY	40
	303M407380	3M407380	STRAP PF COVER	40
	303M407400	3M407400	HOLDER LENS	40
	303M407410	3M407410	SHEET CIS ROLLER	40
	303M407421	3M407421	SPRING HOOK FRONT	41
	303M407440	3M407440	SHAFT PULLEY TENSION	41
	303M407450	3M407450	SLIDER TENSION	41
	303M407480	3M407480	PULLEY LF	41
	303M407510	3M407510	COVER PF FRONT	40
	303M407520	3M407520	COVER PF REAR	40
	303M407530	3M407530	HOLDER GEAR	40
	303M407540	3M407540	SPRING BELT TENTION	41
	303M407550	3M407550	PLATE EARTH SHAFT PF	41
	303M424060	3M424060	GUIDE REGIST LOWER	39
	303M424130	3M424130	MOUNT CIS SW	40
	303M424170	3M424170	GUIDE CONV RIGHT	39
	303M424180	3M424180	STAY CONV RIGHT	39
	303M424190	3M424190	HOLDER LEFT PULLEY	39
	303M424200	3M424200	SHEET LEFT READING	39
	303M424210	3M424210	GUIDE LEFT READING	39
	303M424221	3M424221	GUIDE CONV LEFT	39
	303M424231	3M424231	GUIDE EJECT LOWER	41
	303M424240	3M424240	SHAFT CIS IDLE	40
	303M424251	3M424251	GUIDE READING	39

• Parts with "⊙" indicate regular maintenance parts.

Part.No.	Alternative.	Description	Fig.No.
303M424261	3M424261	HOLDER READ PULLEY	39
303M424270	3M424270	GUIDE CONVEYING LOW	39
303M424280	3M424280	PLATE EARTH CONV LOWER	39
303M424290	3M424290	PLATE EARTH SHD PWB	40
303M424300	3M424300	PULLEY REGISTRATION BK	40
303M424310	3M424310	PULLEY REG B BK	40
303M424340	3M424340	SHAFT CIS PULLEY	40
303M424350	3M424350	HOLDER CIS PULLEY	40
303M424400	3M424400	PULLY CIS ROLLER	40
303M424420	3M424420	SPRING CIS PULLEY	40
303M424440	3M424440	SHEET GUIDE CONV LEFT	39
303M429020	3M429020	GUIDE EJECT UPPER	41
303M429030	3M429030	PLATE EARTH EJECT	41
303M429040	3M429040	ACTUATOR EJECT SW	41
303M431012	3M431012	MOUNT PF DRIVE	42
303M431021	3M431021	PLATE PF DRIVE	42
⊙ 303M431040	3M431040	GEAR Z22 ONEWAY	42
⊙ 303M431050	3M431050	GEAR Z35	42
⊙ 303M431060	3M431060	GEAR Z20 P48	42
⊙ 303M431090	3M431090	GEAR Z30 Z23	42
⊙ 303M431101	3M431101	GEAR Z43 Z22	42
⊙ 303M431110	3M431110	GEAR Z26	39
⊙ 303M431120	3M431120	BELT 146	42
303M431141	3M431141	MOUNT LIFT DRIVE	42
303M431150	3M431150	COVER LIFT DRIVE	42
303M431200	3M431200	MOUNT LOOP DRIVE	42
303M431230	3M431230	PIN LIFT DRIVE A	42
⊙ 303M431270	3M431270	BELT 60S1.5M326	39
303M431280	3M431280	KNOB JAM REMOVED	39
⊙ 303M431290	3M431290	BELT 60S1.5M161	42
303M431300	3M431300	MOUNT CONV MOTOR A	42
303M431311	3M431311	MOUNT CONV MOTOR B	42
303M431320	3M431320	PULLEY 48 CONV HIGH	39
⊙ 303M431340	3M431340	GEAR 22 CIS IDLE	39
303M431360	3M431360	SHAFT PF DRIVE C	42
303M431390	3M431390	SHAFT PF DRIVE F	42
⊙ 303M431400	3M431400	GEAR Z25 Z19	42
303M431410	3M431410	MOUNT INTERLOCK SW	42
303M431420	3M431420	PLATE EARTH CONV MOTOR	42
⊙ 303M431440	3M431440	GEAR EXIT Z43 Z20	42
303M434020	3M434020	LABEL CAUTION IN	38
303M434030	3M434030	LABEL CAUTION ME	38
303M434040	3M434040	LABEL C	36
303M434050	3M434050	LABEL JAM	41
303M434060	3M434060	LABEL ORIGINAL MAX	38
303M434070	3M434070	LABEL SIZE INDICATOR	40
303M434080	3M434080	LABEL CAUTION B	36
303M434100	3M434100	LABEL FACE UP EN	38
303M434110	3M434110	LABEL CAUTION SET IN	38
303M434120	3M434120	LABEL CAUTION SET ME	38

Part.No.	Alternative.	Description	Fig.No.
303M434130	3M434130	LABEL FACE UP SET	38
303M446010	3M446010	WIRE INTERFACE	42
303M446020	3M446020	WIRE INTERFACE VIDEO	40
303M446040	3M446040	WIRE TABLE UNIT	38
303M446050	3M446050	WIRE MOTOR1	42
303M446070	3M446070	WIRE LED	41
303M446080	3M446080	WIRE FRONT	42
303M446100	3M446100	WIRE CIS FAN	39
303M446110	3M446110	WIRE SHD	40
303M446120	3M446120	WIRE CISTMG	40
303M446150	3M446150	WIRE FAN	39
⊙ 303M494010	3M494010	PARTS PWB DPIF ASSY SP	33
⊙ 303M494020	3M494020	PARTS PWB DRIVER ASSY SP	42
⊙ 303M494032	3M494032	PARTS PWB SHD(C) ASSY SP	40
⊙ 303M494040	3M494040	PARTS MOTOR CONVEYING SP	42
⊙ 303M494050	3M494050	PARTS SENSOR A3 COLOR CIS(C) SP	40
⊙ 303M494060	3M494060	PARTS ROLLER CIS SP	40
⊙ 303M494070	3M494070	PARTS ROLLER REGISTRATION SP	39
⊙ 303M494080	3M494080	PARTS ROLLER CONVEYING UPPER SP	39
⊙ 303M494090	3M494090	PARTS ROLLER CONVEYING LEFT SP	39
⊙ 303M494100	3M494100	PARTS ROLLER CONVEYING RIGHT SP	39
⊙ 303M494110	3M494110	PARTS ROLLER EJECT SP	41
⊙ 303M494120	3M494120	GEAR 20/65 IDLE	42
⊙ 303M494130	3M494130	PARTS GEAR JOINT Z20 Z65 SP	42
303M494150	3M494150	PARTS PWB TX ASSY SP	41
303M494160	3M494160	PARTS PWB RX ASSY SP	41
⊙ 303M494181	3M494181	PARTS MOTOR REGISTRATION SP	42
⊙ 303M494190	3M494190	PARTS PWB TX-RX SET SP	41
⊙ 303M494200	3M494200	PARTS GUIDE SEPARATE ASSY SP	41
303M802320	3M802320	SPONGE ORIGINAL MAT A	39
303M824121	3M824121	HOLDER RIGHT PULLEY	39
303M824130	3M824130	SHAFT GUIDE READING	39,41
303M824140	3M824140	SPRING GUIDE READING	39
303M824160	3M824160	GUIDE RIGHT READING	39
303M824200	3M824200	SHAFT PULLEY	39
303M824210	3M824210	PULLEY CONVEYING BK	39
⊙ 303M894090	3M894090	PARTS CLUTCH 50 Z35R SP	9,12,15,17,25
⊙ 303M894100	3M894100	PARTS PWB LED ASSY SP	41
⊙ 303M894260	3M894260	PARTS SENSOR OPT SP	9,10,11,13,14, 15,17,32,38,39, 41
⊙ 303M894270	3M894270	PARTS PWB SIZE DETECTION ASSY SP	38
303MA16290	3MA16290	SPRING PULLEY JS	28
303MA16570	3MA16570	HOOK LEVER JAM JS F	28
303MA16580	3MA16580	HOOK LEVER JAM JS R	29
303MW07060	3MW07060	FILM TORQUE LIMITER	41
303MX02021	3MX02021	CUSHION ORIGINAL MAT A	36
303NA06110	3NA06110	SPRING PICK UP	39
303NB24210	3NB24210	HOLDER MAGNET	2
⊙ 303NB94190	3NB94190	PARTS GUIDE RELAY EXIT SHEFT SP	31

• Parts with "⊙" indicate regular maintenance parts.

Part.No.	Alternative.	Description	Fig.No.
303NF02060	3NF02060	STAY UPPER RIGHT	7
303NF02120	3NF02120	PLATE LOW	7
303NF02130	3NF02130	PLATE BOLT FRONT	7
303NF02150	3NF02150	RAIL DECK FEED	7
303NF02171	3NF02171	MOUNT SLIDER DECK	7
303NF02190	3NF02190	MOUNT FOOT REAR	7
303NF02210	3NF02210	BOLT DECK STOPPER	7
303NF02260	3NF02260	RAIL CONVEYING	7
303NF02270	3NF02270	LEVER DECK HOOK	7
303NF02280	3NF02280	SHAFT HOOK FULCRUM	4,7
303NF02290	3NF02290	SHAFT HOOK PULLEY	7
303NF02301	3NF02301	HOLDER DECK HOOK	4,7
303NF02310	3NF02310	SPRING DECK HOOK	7
303NF02330	3NF02330	PLATE FULCRUM	6
303NF02340	3NF02340	MOUNT EARTH REAR	7
303NF04121	3NF04121	COVER INTERFACE	1
303NF04130	3NF04130	COVER MOUNT SLIDER	6
303NF04140	3NF04140	COVER CONNECTOR HEATER	43
303NF06010	3NF06010	GUIDE HF LOWER	10
303NF06020	3NF06020	RAIL HF LEFT	10
303NF06030	3NF06030	GUIDE HF LEFT	10
303NF06040	3NF06040	ACTUATOR HF	10
303NF06050	3NF06050	PLATE HF L	10
303NF06060	3NF06060	PLATE HF ROLLER	10
303NF06070	3NF06070	SLIDER HF RAIL	10
303NF06080	3NF06080	GUIDE HF UPPER	10
303NF06090	3NF06090	GUIDE JUNCTION VF	9
303NF06110	3NF06110	GUIDE UPPER MID	13
303NF06120	3NF06120	GUIDE LOWER MID	13
303NF06131	3NF06131	GUIDE VF RIGHT	9
303NF06141	3NF06141	GUIDE VERTICAL	6
303NF06150	3NF06150	STOPPER HF	10
303NF06170	3NF06170	LEVER SW	6
303NF06180	3NF06180	LEVER HF UPPER	10
303NF06210	3NF06210	ACTUATOR VF SENSOR	9
303NF06220	3NF06220	MOUNT SENSOR VF	9
303NF06230	3NF06230	PLATE EARTH VF	9
303NF06240	3NF06240	COVER MIDDLE	9
303NF06250	3NF06250	COVER FEED LEFT	10
303NF06260	3NF06260	LID WIRE	10
303NF06270	3NF06270	PIN HF LOWER	10
303NF06280	3NF06280	RAIL HF LOWER	10
303NF06300	3NF06300	SLIDER HF FRONT	10
303NF06310	3NF06310	STAY GUIDE UPPER	10
303NF06320	3NF06320	SPRING DECK FEED	10
303NF06330	3NF06330	BUSH FEED HF	10
303NF06340	3NF06340	CUSHION ACTUATOR	10
303NF06350	3NF06350	SHEET SOLENOID	9,11
303NF10010	3NF10010	DECK CASSETTE	8
303NF10030	3NF10030	SLIDER DECK	7

Part.No.	Alternative.	Description	Fig.No.
303NF10050	3NF10050	PLATE LIFT DECK	8
303NF10070	3NF10070	CURSOR END DECK	8
303NF10080	3NF10080	CURSOR DECK FRONT	8
303NF10090	3NF10090	CURSOR DECK REAR	8
303NF10100	3NF10100	PLATE DECK SUB	8
303NF10110	3NF10110	MOUNT CURSOR	8
303NF10130	3NF10130	SHAFT DECK LIFT	8
303NF10140	3NF10140	MOUNT DECK DAMPER	8
303NF10150	3NF10150	PLATE WIRE LOCK	8
303NF10160	3NF10160	GEAR DAMPER 100	8
303NF10170	3NF10170	SPRING LIFT STOPPER	8
303NF10220	3NF10220	STOPPER PULLEY	8
303NF10230	3NF10230	ACTUATOR CASSETTE	13
303NF10240	3NF10240	MOUNT ACTUATOR CASSETTE	13
303NF10250	3NF10250	PIN CURSOR LOCK	8
303NF10300	3NF10300	PULLEY LIFT WIRE	8
303NF10320	3NF10320	HOLDER PULLEY	8
303NF10330	3NF10330	HOLDER DECK SENSOR	13
303NF10390	3NF10390	MOUNT CURSOR ADJUST	8
303NF10410	3NF10410	CURSOR END SUB	8
303NF10420	3NF10420	PLATE EARTH FRONT	8
303NF10430	3NF10430	PLATE EARTH REAR	8
303NF10440	3NF10440	WIRE EARTH A	8
303NF10450	3NF10450	WIRE EARTH B	8
303NF10470	3NF10470	RAIL RETARD RIGHT	8
303NF10480	3NF10480	WIRE LIFT A	8
303NF10490	3NF10490	WIRE LIFT B	8
303NF31010	3NF31010	HOUSING MAIN DRIVE	12
303NF31020	3NF31020	PLATE DRIVE L	12
303NF31030	3NF31030	PLATE EARTH FEED	12
303NF31040	3NF31040	GEAR Z51L Z60L	12
303NF31050	3NF31050	GEAR Z35L	12
303NF31060	3NF31060	GEAR Z35R	12
303NF31070	3NF31070	GEAR Z20R	12
303NF31080	3NF31080	GEAR Z20RD	12
303NF31090	3NF31090	SHAFT CLUTCH CONVEYING A	12
303NF31110	3NF31110	SHAFT FEED DRIVE B	12
303NF31130	3NF31130	PIN FEED DRIVE	12
303NF31150	3NF31150	GEAR Z34L	12
303NF31160	3NF31160	GEAR Z36R	12
303NF31170	3NF31170	SPRING DRIVE	12
303NF31180	3NF31180	COUPLING DRIVE	12
303NF34010	3NF34010	LABEL DECK OPERATION A	8
303NF34020	3NF34020	LABEL DECK OPERATION B	8
303NF34030	3NF34030	LABEL DECK PAPER DIRECTION	8
303NF34040	3NF34040	LABEL DECK PAPER LIMIT	8
303NF34060	3NF34060	LABEL DECK SIZE B	8
303NF34080	3NF34080	LABEL DECK SIZE D	8
303NF34090	3NF34090	LABEL DECK SIZE E	8
303NF34100	3NF34100	LABEL DECK B1	10

• Parts with "⊙" indicate regular maintenance parts.

Part.No.	Alternative.	Description	Fig.No.
303NF34110	3NF34110	LABEL DECK B2	10
303NF39010	3NF39010	MOUNT BRACKET DESK	7
303NF39020	3NF39020	MOUNT PWB POWER	13
303NF39050	3NF39050	MOUNT PWB MAIN	13
303NF46010	3NF46010	WIRE ENGINE I/F	13
303NF46030	3NF46030	WIRE HEATER	13
303NF46060	3NF46060	WIRE SMT POWER	13
303NF46070	3NF46070	WIRE CLUTCH	12
303NF46080	3NF46080	WIRE LIFTMOTOR	13
303NF46090	3NF46090	WIRE LEFT	13
303NF46100	3NF46100	WIRE PAPER SENSOR	13
303NF46110	3NF46110	WIRE RIGHT	13
303NF46120	3NF46120	WIRE RIGHT DECK	13
303NF46130	3NF46130	WIRE VERTICAL 1	13
303NF46150	3NF46150	WIRE LEFT DECK 1	13
303NF46160	3NF46160	WIRE LEFT DECK 2	10
303NF46170	3NF46170	WIRE MAIN MOTOR	13
303NF46180	3NF46180	WIRE SLEEP	13
303NF46190	3NF46190	WIRE LVU SHORT	13
⊙ 303NF94010	3NF94010	PARTS MIDDLE ROLLER UNIT SP	9
⊙ 303NF94020	3NF94020	PARTS DECK UNIT SP	8
⊙ 303NF94030	3NF94030	PARTS VERTICAL CONVEYING UNIT SP	6
⊙ 303NF94040	3NF94040	PARTS DRIVE UNIT SP	12
⊙ 303NF94050	3NF94050	PARTS DRIVE SUB UNIT SP	12
⊙ 303NF94060	3NF94060	PARTS PWB FRONT DECK ASSY SP	13
⊙ 303NF94070	3NF94070	PARTS ROLLER CONVEYING VF SP	9
⊙ 303NF94080	3NF94080	PARTS SENSOR OPT. SET SP	9
⊙ 303NF94090	3NF94090	PARTS MOTOR LIFT DECK SP	13
⊙ 303NF94100	3NF94100	PARTS ROLLER CONVEYING DECK SP	10
⊙ 303NF94110	3NF94110	PARTS DECK UNIT(INCHI) SP	8
⊙ 303NF94130	3NF94130	PARTS DEHUMIDIFINR 120 SET SP	43
⊙ 303NF94140	3NF94140	PARTS DEHUMIDIFINR 240 SET SP	43
⊙ 303NF94152	3NF94152	PARTS PRIMARY FEED UNIT HI SP	9,11
⊙ 303NF94161	3NF94161	PARTS GUIDE VF RIGHT SET SP	9
303NJ06010	3NJ06010	COVER FEED LOW	6
⊙ 303NJ06040	3NJ06040	GEAR PRIMARY FEED Z17L OW	9,11
303NJ06050	3NJ06050	STRAP	1,6
303NJ06060	3NJ06060	HOLDER PULLEY PF	9
303NJ06070	3NJ06070	PULLEY FEED PF	9
303NJ06080	3NJ06080	SHAFT PULLEY PF	9
⊙ 303NJ31031	3NJ31031	BRACKET GEAR CHANGE	12
⊙ 303NJ31060	3NJ31060	GEAR Z60R	12
⊙ 303NJ31070	3NJ31070	GEAR Z56L-Z40R	12
⊙ 303NJ31080	3NJ31080	GEAR Z75L-Z32L	12
303NJ31120	3NJ31120	PIN FEED DRIVE	12,29,30,31
⊙ 303NJ31130	3NJ31130	GEAR Z28R	12
⊙ 303NJ31140	3NJ31140	GEAR Z40R-Z34L	12
303NJ46080	3NJ46080	WIRE VERTICAL 1	9
303NJ46130	3NJ46130	WIRE PRIMARY FEED UNIT	9,11
⊙ 303NJ94050	3NJ94050	PARTS ROLLER ASSIST SP	9,11

• Parts with "⊙" indicate regular maintenance parts.

Part.No.	Alternative.	Description	Fig.No.
303NM16010	3NM16010	FRAME EXIT	28
303NM16020	3NM16020	GUIDE EXIT A	28
303NM16030	3NM16030	GUIDE EXIT B	28
303NM16041	3NM16041	PLATE EXIT F	28
303NM16050	3NM16050	PLATE EXIT R	28
303NM16060	3NM16060	PLATE EXIT LOWER	28
303NM16070	3NM16070	SHAFT LEVER EXIT	28
303NM16080	3NM16080	LEVER EXIT RIGHT	28
⊙ 303NM16101	3NM16101	TRAY EXIT A	28
⊙ 303NM16111	3NM16111	TRAY EXIT B	28
⊙ 303NM16120	3NM16120	TRAY EXIT C	28
⊙ 303NM16130	3NM16130	GEAR Z46R Z21S IDLE	28
⊙ 303NM16140	3NM16140	GEAR Z15S	28
303NM16150	3NM16150	COVER PWB EXIT	28
303NM16170	3NM16170	SPRING-TORSION GUIDE F	28
303NM16180	3NM16180	SPRING-TORSION GUIDE R	28
303NM16190	3NM16190	SPRING EARTH A	28
303NM16200	3NM16200	ARM FEED SHIFT	28
303NM16210	3NM16210	SPRING-EXTENSION	28
303NM16220	3NM16220	COVER EXIT F	28
⊙ 303NM16230	3NM16230	TRAY EXIT D	28
303NM16240	3NM16240	SPRING EARTH B	28
303NM16250	3NM16250	PLATE GUIDE LOWER	28
303NM16260	3NM16260	STAY GUIDE LOWER	28
303NM16271	3NM16271	COVER UPPER	28
303NM16280	3NM16280	ACTUATOR EXIT	28
303NM16290	3NM16290	HOLDER SENSOR	28
303NM16300	3NM16300	ARM SENSOR	28
⊙ 303NM46010	3NM46010	WIRE INTERFACE	28
303NM46020	3NM46020	WIRE JOB SEPARATOR	28
⊙ 303NM94010	3NM94010	PARTS ROLLER EXIT RIGHT SP	28
⊙ 303NM94020	3NM94020	PARTS SOLENOID JS SP	28
303NW24011	3NW24011	HOUSING CIS	40
303NW24020	3NW24020	GLASS CIS	40
303NW24030	3NW24030	STOPPER CIS GLASS	40
303NW24040	3NW24040	PLATE EARTH CIS	40
303NW24050	3NW24050	SPACER CIS	40
303NW24060	3NW24060	PLATE EARTH CIS REAR	40
303NW46010	3NW46010	WIRE FEED UNIT	41
⊙ 303NW94040	3NW94040	PARTS SENSOR OPT. SP	39,40,41
⊙ 303NW94050	3NW94050	PARTS SENSOR OPT. SP	38
⊙ 303NW94060	3NW94060	PARTS SENSOR OPT. SP	38
305JT05010	5JT05010	KEY FAX	34
305JT05020	5JT05020	HOLDER KEY FAX	34
3A707290	3A707290	PAD,LIFT	8,38
3BC07130	3BC07130	ONE-WAY CLUTCH 6	9,11,14
3BC07340	3BC07340	FRONT STATIC ELIMINATOR,EJECT	10
3CZ02230	3CZ02230	PIN,HOOK FULCRUM	39,42
3CZ02240	3CZ02240	PIN,DRAWER SIDE CONVEYING	13
⊙ 3H327410	3H327410	SENSOR,CONVEYING	15

Part.No.	Alternative.	Description	Fig.No.
3H607030	3H607030	COLLAR PF A	41
3H610240	3H610240	FELT DUPLEX	17
⊙ 3H622020	3H622020	GEAR CIS ROLLER 20	41
⊙ 3H622160	3H622160	GEAR 20 JOINT	42
⊙ 3HK22040	3HK22040	GR 33 CONV	42
3HL06090	3HL06090	CUSHION CURSOR	38
3HL06110	3HL06110	TERMINAL PAPER SIZE	18,38
⊙ 3HL07190	3HL07190	BELT 150S2M,PAPER FEED	31
3HL07240	3HL07240	SPRING HOOK	16
3HL10090	3HL10090	SPRING,LF SHIFT GUIDE	31
5MMS111SL002	2BY20050	NUT FUSER A /FS-1800/3800 A4	3,21
5MMT263SN012++R	2D903100	SCREW OP / M3 X 8 CRFREE A4	33
5MMW261LD055	2A820350	SPRING SEPARATOR /FS-1000 A4	15
5MVL177DN001	2FB06810	RING STOPPER 4	41
5MVL177DN002	2FB06820	RING STOPPER 6	41
5MVX111DN003	2A806250	RING STOPPER /A-49 FEED A4	4,5,7,9,10,11, 12,14,15,16,17, 20,21,22,24,25, 27,28,29,31,37, 39,40,41,42
5MVX111DN007	2BT11070	STOPPER 3 /2BT1107 A4	4,9,11,41
5MVX421DN003	2BL06490	LOCK COVER R /40283V0068 A4	16
7AAACCAS+10H001	AA063380	AC CORD ASSY AS	32
7BE006103431H01	BE122720	BEARING MR106ZZ	16
7BE006103R31H01	BE134710	BEARING MF106ZZ	31
7BE006124431H01	BE119720	BEARING MR126ZZ	29
7BE006155J31H01	BE129410	BEARING 696ZZNR	15
7BE008165431H01	BE119730	BEARING 688ZZ	19,39
7BE010197431H01	BE119740	BEARING 6800ZZ(7MM)	24
⊙ 7NXGP1A173LCH01	NX115300	SENSOR OPT.	16,17,18,21,27, 28,30,31
⊙ 7NXGP1S173LCH01	NX116910	SENSOR OPT.	19
⊙ 7SC010202+++H01	SC122390	SW.SEESAW	32
⊙ 7SC020402+++H01	SC124420	SW.SEESAW	32
⊙ 7SP01000006+H01	SP121020	SW.PUSH	13,15,18,30,31, 32
⊙ 7SP03072001+H01	SP121030	SW.PUSH	32
7YBFZ65C001H01	YB110990	FERRITE CORE	19
7YCC60M2199+H01	YC125800	CONNECTOR	33
7YZM110001++H01	YZ009420	ACCESS.BUSHING	32,39
7YZM210002++H01	YZ004730	ACCESS.EDGING	33
7YZM210003++H01	YZ037970	ACCESS.EDGING	4,21,33,35
7YZM210004++H01	YZ037980	ACCESS.EDGING	32
7YZM210005++H01	YZ037990	ACCESS.EDGING	7,13,39
7YZM210006++H01	YZ038000	ACCESS.EDGING	7,15,16,27,39, 44
7YZM390002++H01	YZ012140	ACCESS.CLAMP	21,27
7YZM390011++H01	YZ050250	ACCESS.CLAMP	33
7YZM410002++H01	YZ042720	ACCESS.BAND	34
7YZM510007++H01	YZ042780	ACCESS.SPACER	32,33

Part.No.	Alternative.	Description	Fig.No.
7YZM510019++H01	YZ123830	ACCESS.SPACER	40
7YZM510022++H01	YZ127850	ACCESS.SPACER	32
7YZM610001++H01	YZ010230	ACCESS SADDLE	16,19,20,21,24, 26,32,33,35,43
7YZM610002++H01	YZ010240	ACCESS SADDLE	4,13,15,26,33, 34,35
7YZM610003++H01	YZ010250	ACCESS SADDLE	4,13,19,26,32, 33
7YZM610004++H01	YZ012210	ACCESS SADDLE	33
7YZM610007++H01	YZ023340	ACCESS.SADDLE	1,4,15,16,25,39, 42
7YZM610008++H01	YZ037940	ACCESS.SADDLE	3,4,12,13,25,32, 33
7YZM610017++H01	YZ049360	ACCESS.SADDLE	32
7ZG65TA++020H01	ZG129240	SHIELD GASKET	3
7ZG65TSV+010H01	ZG111180	SHIELD GASKET	19
7ZG65TSV+020H01	ZG046810	SHIELD GASKET	16
7ZG65TSV+200H01	ZG045190	SHIELD GASKET	3
7ZGSSTG58014H01	ZG128680	SHIELD GASKET	4,19
7ZGSTGH12013H01	ZG128670	SHIELD GASKET	33
M21AH010	M21AH010	BAND,RSG-130-V0(KITAGAWA)	42,44
M70AF010	M70AF010	CLAMP,LCT-1.5SIEM(TAKEUCHI)	33,33

• Parts with "⊙" indicate regular maintenance parts.

KYOCERA Document Solutions America, Inc.

Headquarters

225 Sand Road,
Fairfield, New Jersey 07004-0008, USA
Phone: +1-973-808-8444
Fax: +1-973-882-6000

Latin America

8240 NW 52nd Terrace Dawson Building, Suite 100
Miami, Florida 33166, USA
Phone: +1-305-421-6640
Fax: +1-305-421-6666

KYOCERA Document Solutions Canada, Ltd.

6120 Kestrel Rd., Mississauga, ON L5T 1S8,
Canada
Phone: +1-905-670-4425
Fax: +1-905-670-8116

**KYOCERA Document Solutions
Mexico, S.A. de C.V.**

Calle Arquimedes No. 130, 4 Piso, Colonia Polanco
Chapultepec, Delegacion Miguel Hidalgo,
Distrito Federal, C.P. 11560, México
Phone: +52-555-383-2741
Fax: +52-555-383-7804

KYOCERA Document Solutions Brazil, Ltda.

Av. Tambore, 1180 Mod. B-09 CEP 06460-000
Tambore-Barueri-SP, Brazil
Phone: +55-11-4195-8496
Fax: +55-11-4195-6167

**KYOCERA Document Solutions
Australia Pty. Ltd.**

Level 3, 6-10 Talavera Road North Ryde N.S.W, 2113,
Australia
Phone: +61-2-9888-9999
Fax: +61-2-9888-9588

**KYOCERA Document Solutions
New Zealand Ltd.**

1-3 Parkhead Place, Albany, Auckland 1330,
New Zealand
Phone: +64-9-415-4517
Fax: +64-9-415-4597

KYOCERA Document Solutions Asia Limited

16/F., Mita Centre, 552-566, Castle Peak Road
Tsuenwan, NT, Hong Kong
Phone: +852-2610-2181
Fax: +852-2610-2063

**KYOCERA Document Solutions
(China) Corporation**

8F, No. 288 Nanjing Road West, Huangpu District,
Shanghai, 200003, China
Phone: +86-21-5301-1777
Fax: +86-21-5302-8300

**KYOCERA Document Solutions
(Thailand) Corp., Ltd.**

335 Ratchadapisek Road, Bangsue, Bangkok 10800,
Thailand
Phone: +66-2-586-0333
Fax: +66-2-586-0278

**KYOCERA Document Solutions
Singapore Pte. Ltd.**

12 Tai Seng Street #04-01A,
Luxasia Building, Singapore 534118
Phone: +65-6741-8733
Fax: +65-6748-3788

**KYOCERA Document Solutions
Hong Kong Limited**

16/F., Mita Centre, 552-566, Castle Peak Road
Tsuenwan, NT, Hong Kong
Phone: +852-3582-4000
Fax: +852-3185-1399

**KYOCERA Document Solutions
Taiwan Corporation**

6F., No. 37, Sec. 3, Minquan E. Rd.,
Zhongshan Dist., Taipei 104, Taiwan R.O.C.
Phone: +886-2-2507-6709
Fax: +886-2-2507-8432

KYOCERA Document Solutions Korea Co., Ltd.

18F, Kangnam bldg, 1321-1,
Seocho-Dong, Seocho-Gu, Seoul, Korea
Phone: +822-6933-4050
Fax: +822-747-0084

**KYOCERA Document Solutions
India Private Limited**

First Floor, ORCHID CENTRE
Sector-53, Golf Course Road, Gurgaon 122 002,
India
Phone: +91-0124-4671000
Fax: +91-0124-4671001

KYOCERA Document Solutions Europe B.V.

Bloemlaan 4, 2132 NP Hoofddorp,
The Netherlands
Phone: +31-20-654-0000
Fax: +31-20-653-1256

KYOCERA Document Solutions Nederland B.V.

Beechavenue 25, 1119 RA Schiphol-Rijk,
The Netherlands
Phone: +31-20-5877200
Fax: +31-20-5877260

KYOCERA Document Solutions (U.K.) Limited

8 Beacontree Plaza,
Gillette Way Reading, Berkshire RG2 0BS,
United Kingdom
Phone: +44-118-931-1500
Fax: +44-118-931-1108

KYOCERA Document Solutions Italia S.p.A.

Via Verdi, 89/91 20063 Cernusco s/N.(MI),
Italy
Phone: +39-02-921791
Fax: +39-02-92179-600

KYOCERA Document Solutions Belgium N.V.

Sint-Martinusweg 199-201 1930 Zaventem,
Belgium
Phone: +32-2-7209270
Fax: +32-2-7208748

KYOCERA Document Solutions France S.A.S.

Espace Technologique de St Aubin
Route de l'Orme 91195 Gif-sur-Yvette CEDEX,
France
Phone: +33-1-69852600
Fax: +33-1-69853409

KYOCERA Document Solutions Espana, S.A.

Edificio Kyocera, Avda. de Manacor No.2,
28290 Las Matas (Madrid), Spain
Phone: +34-91-6318392
Fax: +34-91-6318219

KYOCERA Document Solutions Finland Oy

Atomitie 5C, 00370 Helsinki,
Finland
Phone: +358-9-47805200
Fax: +358-9-47805390

**KYOCERA Document Solutions
Europe B.V., Amsterdam (NL) Zürich Branch**

Hohlstrasse 614, 8048 Zürich,
Switzerland
Phone: +41-44-9084949
Fax: +41-44-9084950

**KYOCERA Document Solutions
Deutschland GmbH**

Otto-Hahn-Strasse 12, 40670 Meerbusch,
Germany
Phone: +49-2159-9180
Fax: +49-2159-918100

KYOCERA Document Solutions Austria GmbH

Eduard-Kittenberger-Gasse 95, 1230 Vienna,
Austria
Phone: +43-1-863380
Fax: +43-1-86338-400

KYOCERA Document Solutions Nordic AB

Esbogatan 16B 164 75 Kista, Sweden
Phone: +46-8-546-550-00
Fax: +46-8-546-550-10

KYOCERA Document Solutions Norge Nuf

Postboks 150 Oppsal, 0619 Oslo,
Norway
Phone: +47-22-62-73-00
Fax: +47-22-62-72-00

KYOCERA Document Solutions Danmark A/S

Ejby Industrivej 60, DK-2600 Glostrup,
Denmark
Phone: +45-70223880
Fax: +45-45765850

KYOCERA Document Solutions Portugal Lda.

Rua do Centro Cultural, 41 (Alvalade) 1700-106 Lisboa,
Portugal
Phone: +351-21-843-6780
Fax: +351-21-849-3312

**KYOCERA Document Solutions
South Africa (Pty) Ltd.**

KYOCERA House, Hertford Office Park,
90 Bekker Road (Cnr. Allandale), Midrand, South Africa.
Phone: +27-11-540-2600
Fax: +27-11-466-3050

KYOCERA Document Solutions Russia LLC

Botanichesky pereulok 5, Moscow, 129090,
Russia
Phone: +7(495)741-0004
Fax: +7(495)741-0018

KYOCERA Document Solutions Middle East

Dubai Internet City, Bldg. 17,
Office 157 P.O. Box 500817, Dubai,
United Arab Emirates
Phone: +971-04-433-0412

KYOCERA Document Solutions Inc.

2-28, 1-chome, Tamatsukuri, Chuo-ku
Osaka 540-8585, Japan
Phone: +81-6-6764-3555
<http://www.kyoceradocumentsolutions.com>